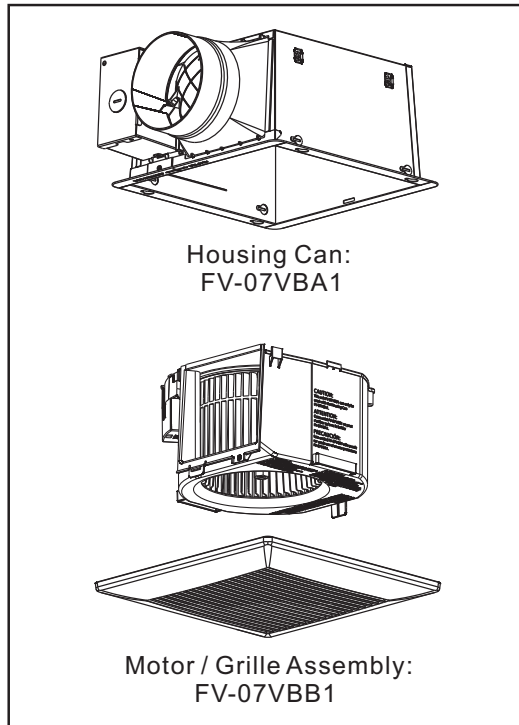


Service Manual

Ventilating Fan
(North America Market)

Model No: FV-07VB1



⚠ WARNING

This service information is designed for experienced repair technicians only and is not designed for use by the general public. It does not contain warnings or cautions to advise non-technical individuals of potential dangers in attempting to service a product. Products powered by electricity should be serviced or repaired only by experienced professional technicians. Any attempt to service or repair the product or products dealt with in this service information by anyone else could result in serious injury or death.

IMPORTANT SAFETY NOTICE

There are special components used in this equipment which are important for safety. These parts are marked by \triangle in the Schematic Diagrams, Exploded Views and Replacement Parts List. It is essential that these critical parts should be replaced with manufacturer's specified parts to prevent shock, fire or other hazards. Do not modify the original design without permission of manufacture. We suggest to handle such parts after the static electricity prevention. It is forbidden to touch the PCB parts by bare hands during the repairing process.

CONTENTS	PAGE
1.Specifications-----	1
2.Parts Identification-----	2~4
3.Wiring Diagram-----	5
4.Parts List-----	6~7

1. Parts Identification

FV-07VB1

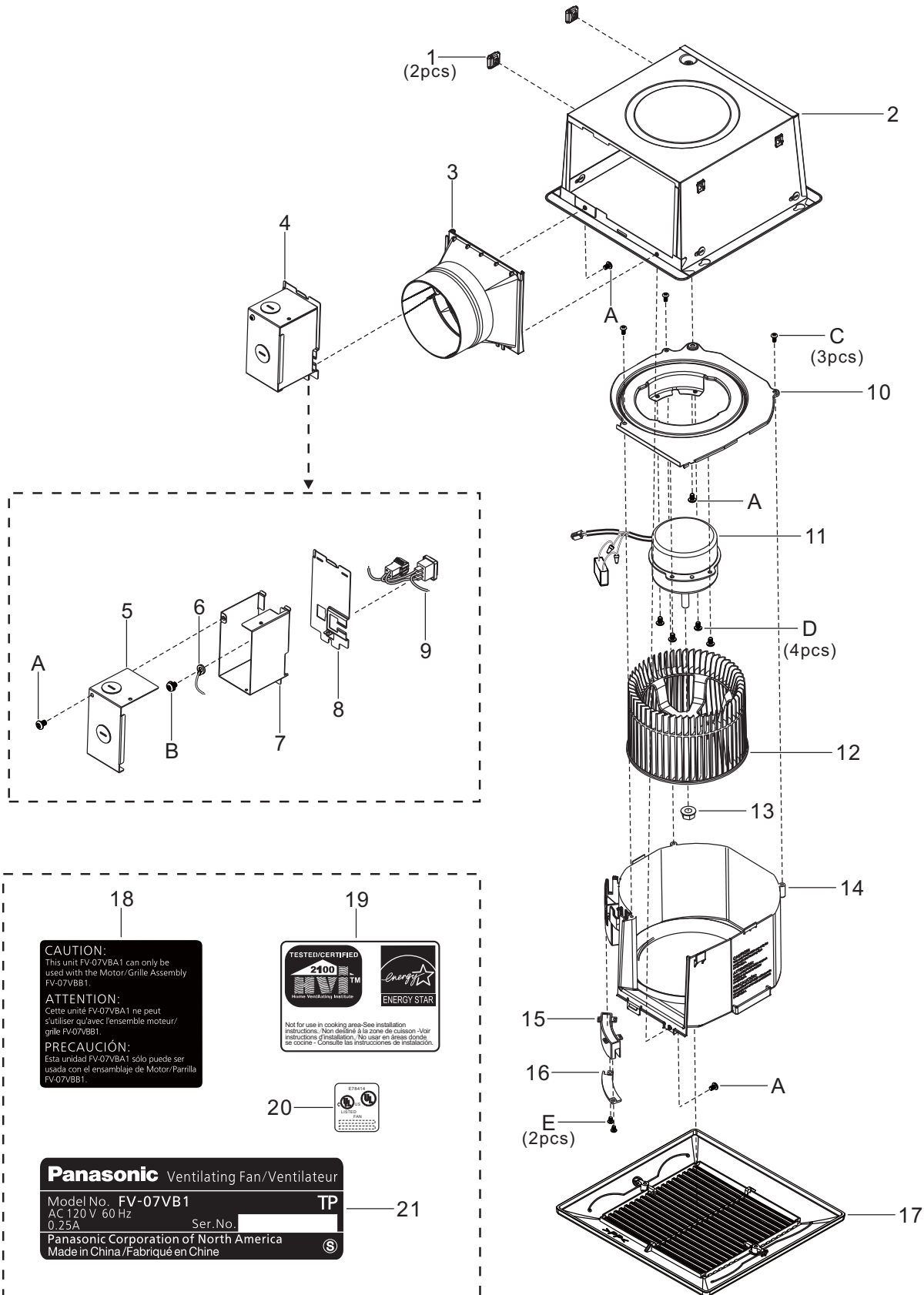
Speed	Air direction	Voltage (V)	Frequency (Hz)	Duct diameter (inches)	Power consumption (W)	Noise (sones)		Air volume at 0.1"WG (CFM)		Speed (rpm)	Weight (lb./kg)
						0.1"WG	0.25"WG	0.1"WG	0.25"WG		
I (Standard)	Exhaust	120	60	4	20	1.1	1.4	70	50	907	4.4/2.0
II (Boost)	Exhaust	120	60	4	24	1.5	2.0	90	70	1019	

HVI Certified performance based on HVI Procedures 915,916 and 920.

2. Parts Identification

FV-07VB1

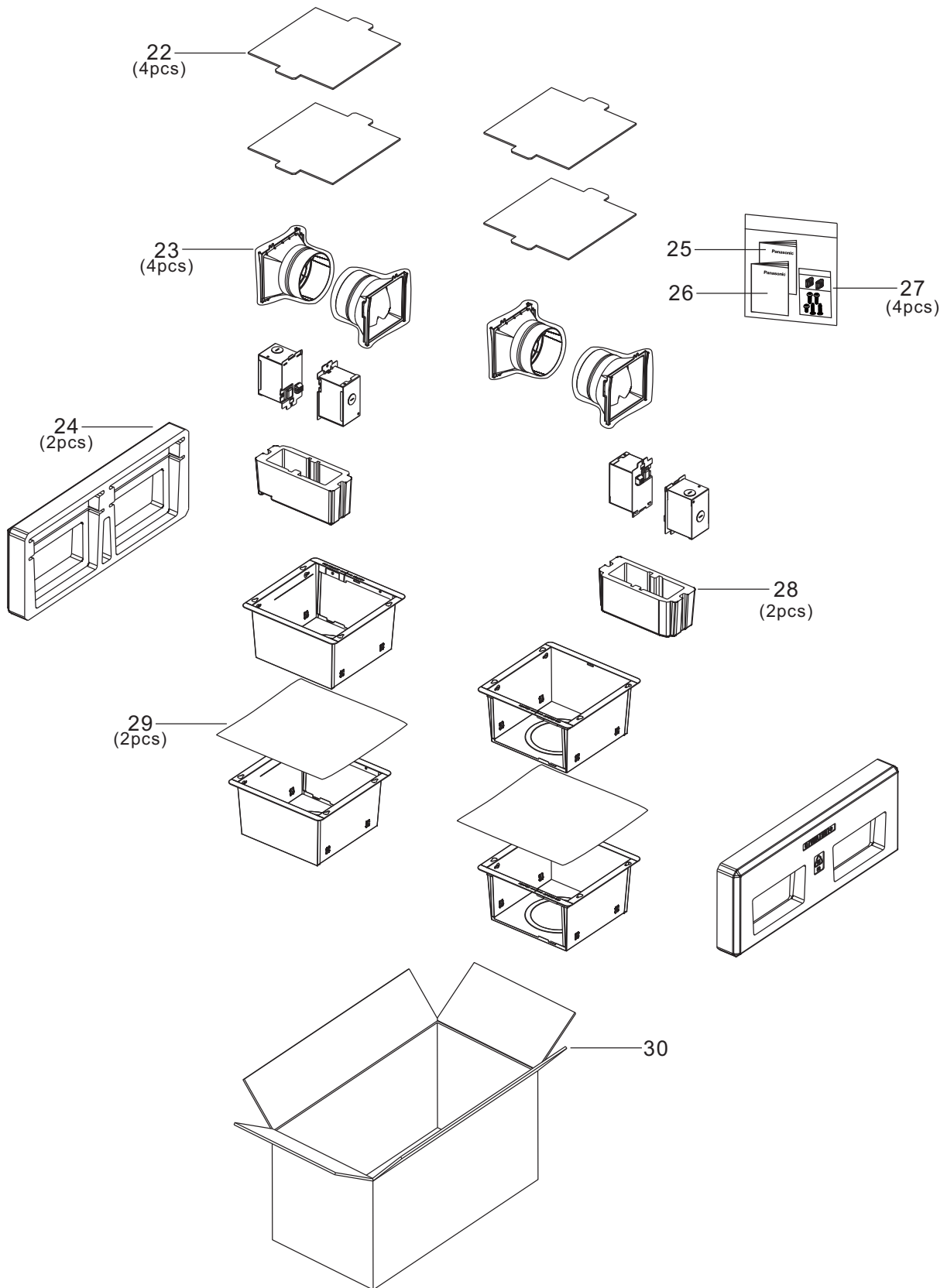
Main Body Section



2. Parts Identification

FV-07VB1

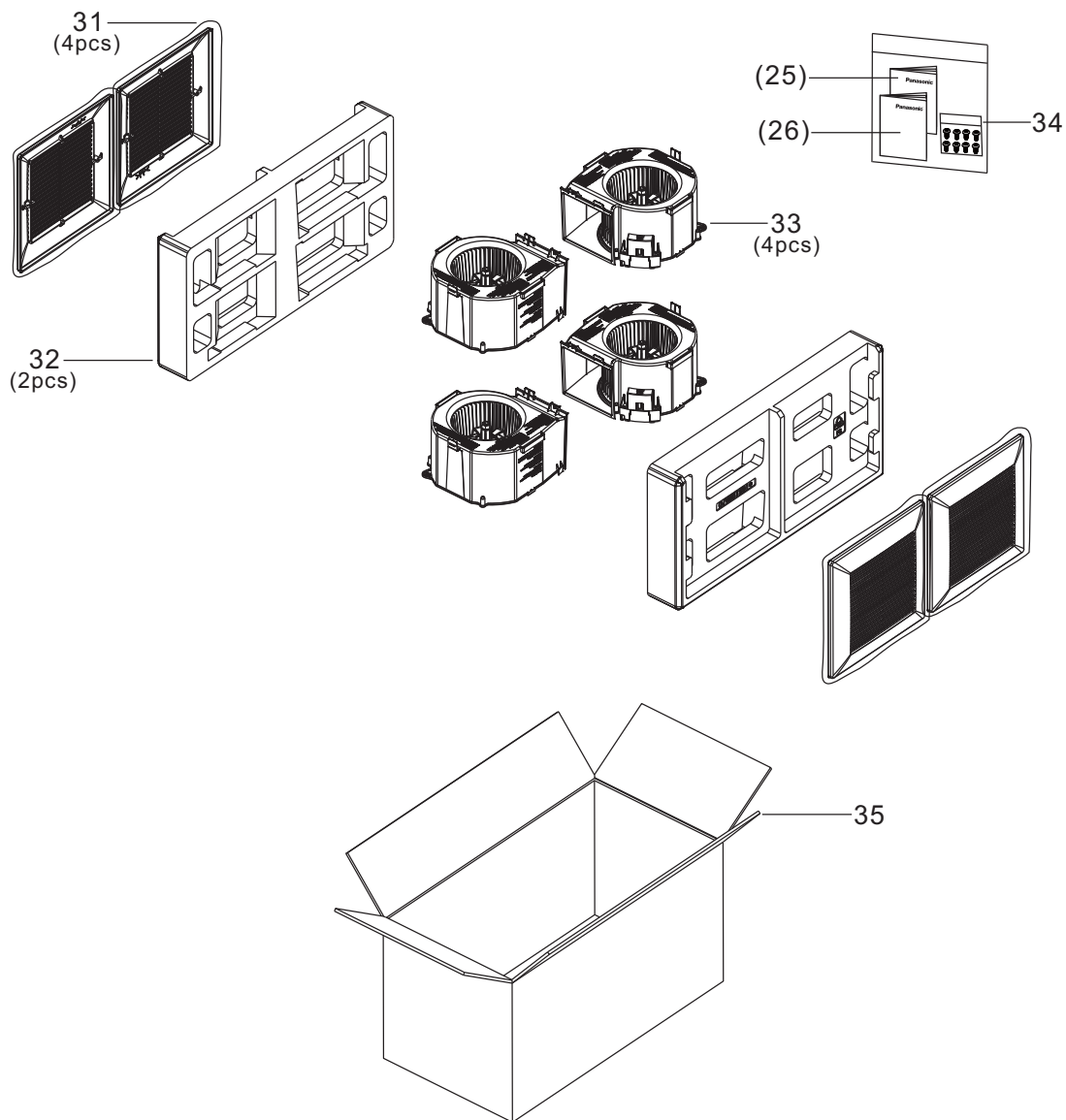
Packing Section(FV-07VBA1)



2. Parts Identification

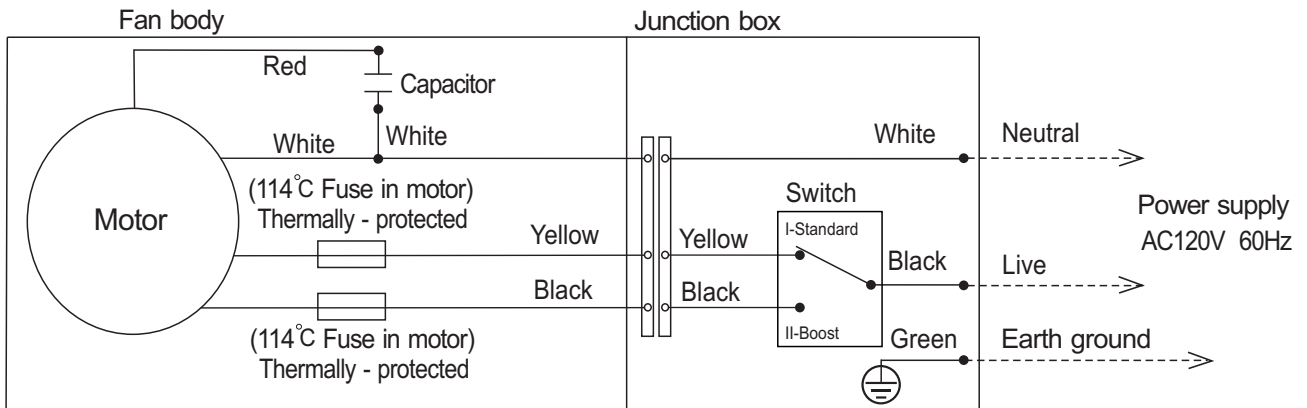
FV-07VB1

Packing Section(FV-07VBB1)



3. Wiring diagram

FV-07VB1



4. Parts List

FFV-07VB1

Main Body Section

No.	Part No.	Part Name	Q'ty	Remark
1	FFV5710026S	Spacer	2	
2	FFV1600139S	Frame Assembly	1	
3	FFV0000149S	Adapter Assembly	1	
4	FFV2800022S	Electric Section	1	⚠
5	FFV2800023S	Junction Cover	1	
6	FFV3450010S	Earth Lead Wire	1	⚠
7	FFV2800024S	Junction Box	1	
8	FFV0900064S	Connector Plate	1	
9	FFV0900065S	Connector Assembly	1	⚠
10	FFV3730118S	Motor Support	1	
11	FFV3730119S	Motor Unit	1	⚠
12	FFV0400116S	Blade	1	
13	FFV7020021S	Nut	1	For Fixing Blade
14	FFV0790110S	Casing	1	
15	FFV0900066S	Connector Box	1	
16	FFV0900017S	Connector Box Cover	1	
17	FFV3402169S	Louver Assembly	1	
18	FFV6730084S	Warning Label	1	Stuck On Frame
19	FFV0810011S	Caution Label 1	1	Stuck On Frame
20	FFV2260003S	UL Mark	1	Stuck On Frame
21	FFV4020824S	Name Plate	1	Stuck On Casing
A	FFV7000202S	Bind Tap Screw	4	
B	FFV7000211S	Earth Screw Assembly	1	For Fixing Earth Lead Wire ⚠
C	FFV7000089S	Truss Tap Screw	3	For Fixing Motor Support
D	FFV7000074S	Truss Tap Screw	4	For Fixing Motor Unit
E	FFV7000095S	Pan Tap Screw	2	For Fixing Connector Box Cover

Packing Section(FV-07VBA1)

No.	Part No.	Part Name	Q'ty	Remark
22	FFV4710384S	Cover Pad	4	
23	FFV4650021S	Poly Cover	4	For Adapter Assembly Packing
24	FFV4710385S	Pad A	2	
25	FFV2540181S	Installation Instructions	1	English,For USA/CA Market
26	FFV2540182S	Installation Instructions	1	Spanish,For USA Market
27	FFV0010239S	Accessory A	4	
28	FFV4710386S	Pad B	2	
29	FFV4650035S	Poly Plate	2	
30	FFV9001116S	Packing Case Assembly	1	

4. Parts List

FV-07VB1

Packing Section(FV-07VBB1)

No.	Part No.	Part Name	Q'ty	Remark
31	FFV4650036S	Poly Cover	4	For Louver Assembly Packing
32	FFV4710387S	Pad A	2	
33	FFV0790111S	Casing Section	4	⚠
34	FFV0010240S	Accessory A	1	
35	FFV9001117S	Packing Case Assembly	1	

Free Manuals Download Website

<http://myh66.com>

<http://usermanuals.us>

<http://www.somanuals.com>

<http://www.4manuals.cc>

<http://www.manual-lib.com>

<http://www.404manual.com>

<http://www.luxmanual.com>

<http://aubethermostatmanual.com>

Golf course search by state

<http://golfingnear.com>

Email search by domain

<http://emailbydomain.com>

Auto manuals search

<http://auto.somanuals.com>

TV manuals search

<http://tv.somanuals.com>