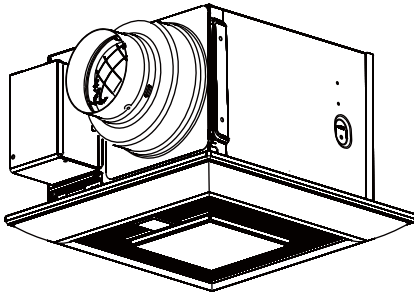
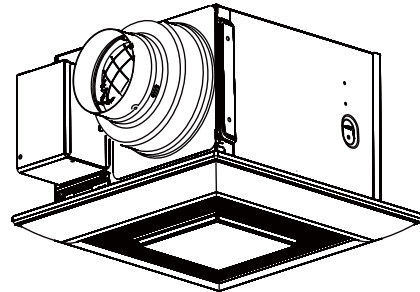


Service Manual

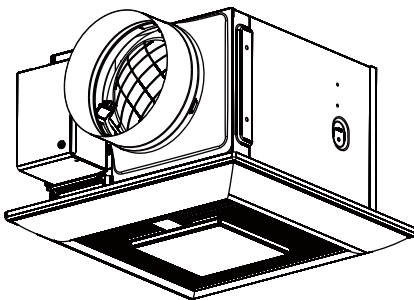
Super Quiet Ventilating Fan/Light Combination
Whisper Green-Lite™
(North America Market)



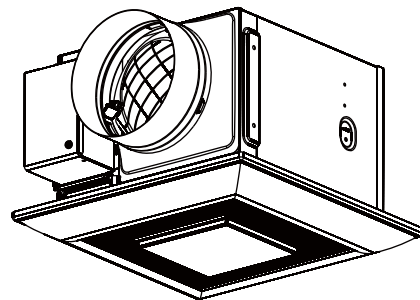
FV-08VKML4



FV-08VKSL4
FV-08VKL4
FV-11VKL4



FV-13VKML4



FV-13VKSL4

! WARNING

This service information is designed for experienced repair technicians only and is not designed for use by the general public. It does not contain warnings or cautions to advise non-technical individuals of potential dangers in attempting to service a product. Products powered by electricity should be serviced or repaired only by experienced professional technicians. Any attempt to service or repair the product or products dealt with in this service information by anyone else could result in serious injury or death.

IMPORTANT SAFETY NOTICE

There are special components used in this equipment which are important for safety. These parts are marked by Δ in the Schematic Diagrams, Exploded Views and Replacement Parts List. It is essential that these critical parts should be replaced with manufacturer's specified parts to prevent shock, fire or other hazards. Do not modify the original design without permission of manufacture. We suggest to handle such parts after the static electricity prevention. It is forbidden to touch the PCB parts by bare hands during the repairing process.

CONTENTS

	PAGE
1. Specifications	1
2. Parts Identification	2~17
3. Wiring Diagram	18~20
4. Parts List	21~34

Panasonic®

1. Specifications

■ Specifications

Model No.	Air direction	Voltage (V)	Frequency (Hz)	Duct diameter (inches)	Noise (sones)	Power consumption (W)			Speed (rpm)	Air volume at 0.1"WG (CFM)	Weight lb.(kg)
						Fan	Lighting unit				
							Fluorescent lamp	Night lamp			
FV-13VKML4 FV-13VKSL4 FV-13VKL4	Exhaust	120	60	6	0.8	16	26	4	746	130	11.2(5.1)
FV-11VKL4	Exhaust	120	60	4 or 6	0.7	12.5	26	4	987	110	10.8(4.9)
FV-08VKML4 FV-08VKSL4 FV-08VKL4	Exhaust	120	60	4 or 6	<0.3	8	26	4	869	80	10.8(4.9)

HVI Certified performance based on HVI Procedures 915,916,and 920.

■ Reference specifications

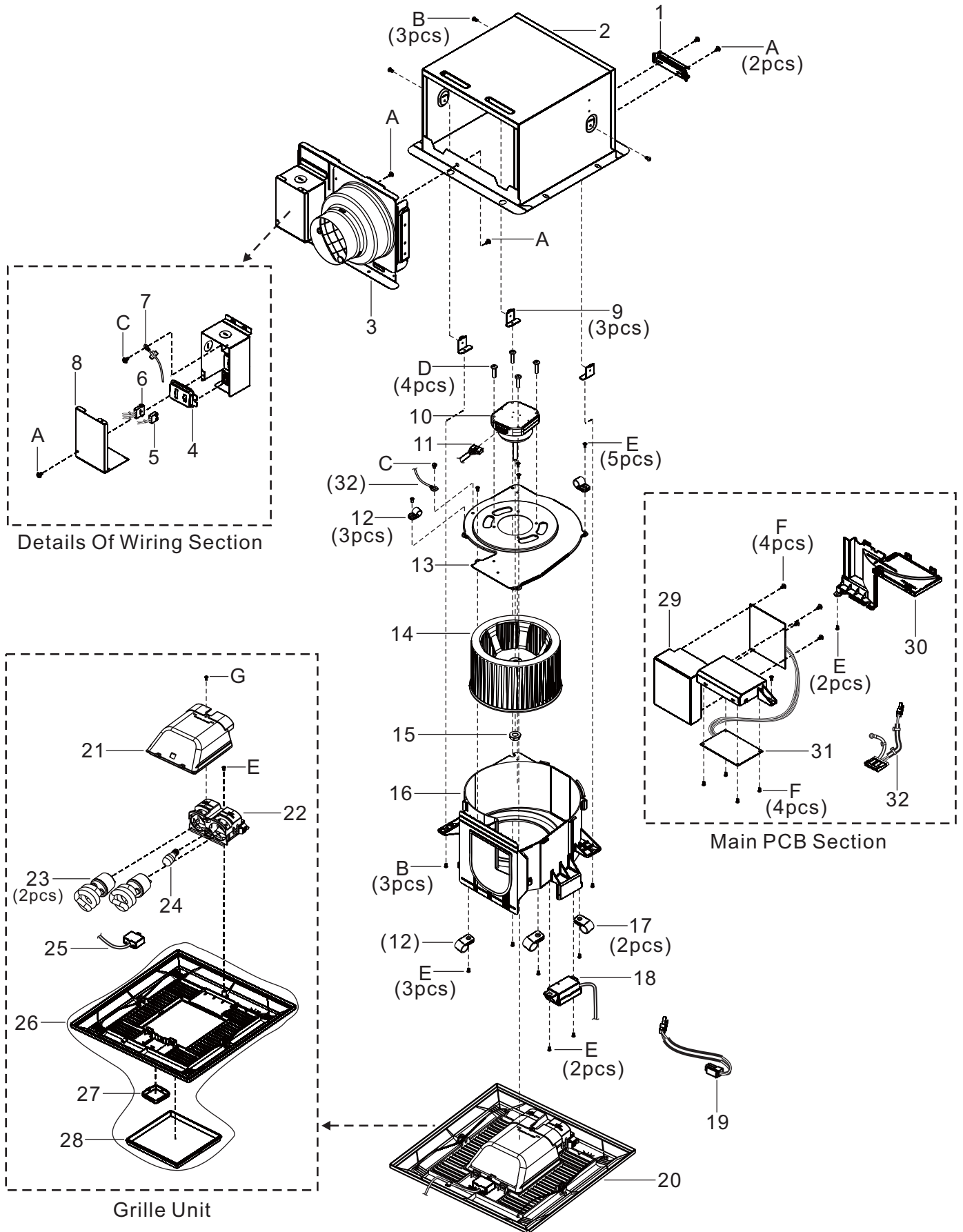
Model No.	Air direction	Voltage (V)	Frequency (Hz)	Duct diameter (inches)	Noise (sones)	Power consumption (W)	Speed (rpm)	Air volume at 0.1"WG (CFM)	Weight lb.(kg)
FV-13VKML4 FV-13VKSL4	Exhaust	120	60	6	0.6	11.2	708	110	11.2(5.1)
					0.3	8	674	90	
					<0.3	6.3	661	70	
					<0.3	4.8	645	50	
					--	0.5 (*)	--	0	
FV-08VKML4 FV-08VKSL4	Exhaust	120	60	4 or 6	<0.3	6.5	828	70	10.8(4.9)
					<0.3	5.6	798	60	
					<0.3	4.8	776	50	
					<0.3	4.2	765	40	
					<0.3	3.8	756	30	
					--	0.5 (*)	--	0	

Reference performance based on HVI Procedures 915, 916, and 920. [(*) Standby wattage.]

2.Parts Identification

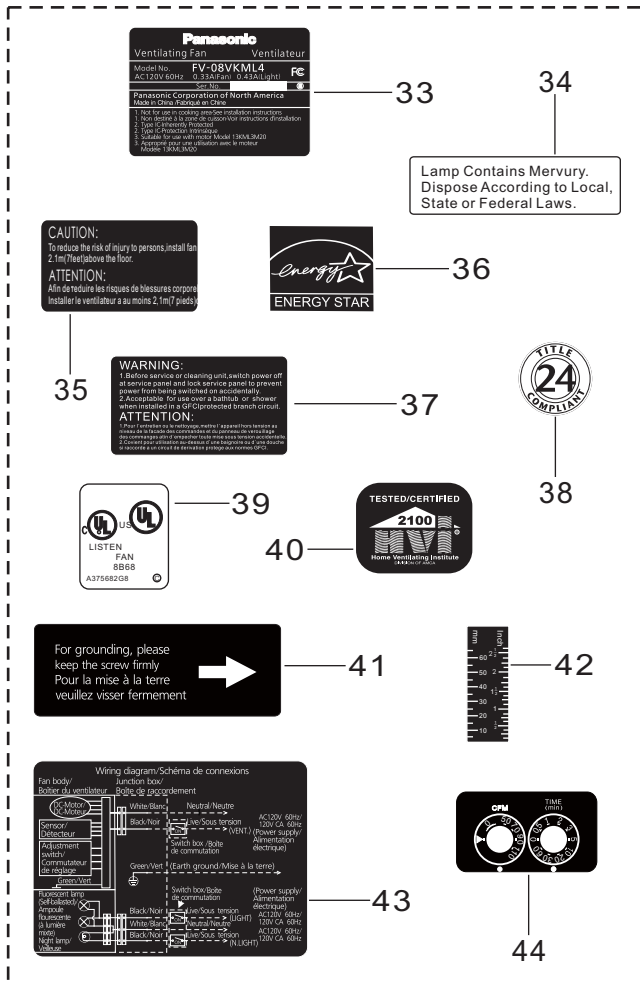
FV-08VKML4

Main Body Section

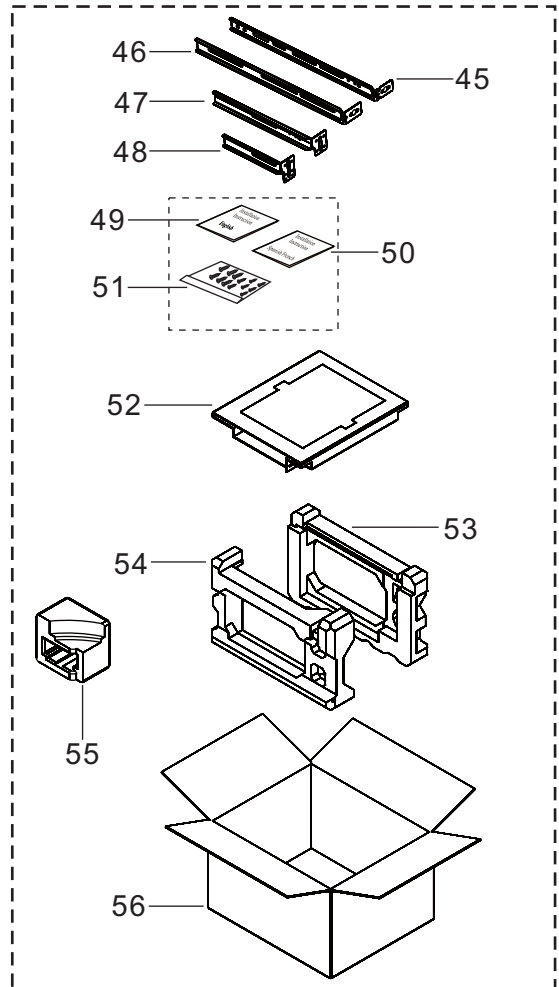


2.Parts Identification

FV-08VKML4



Main Labels

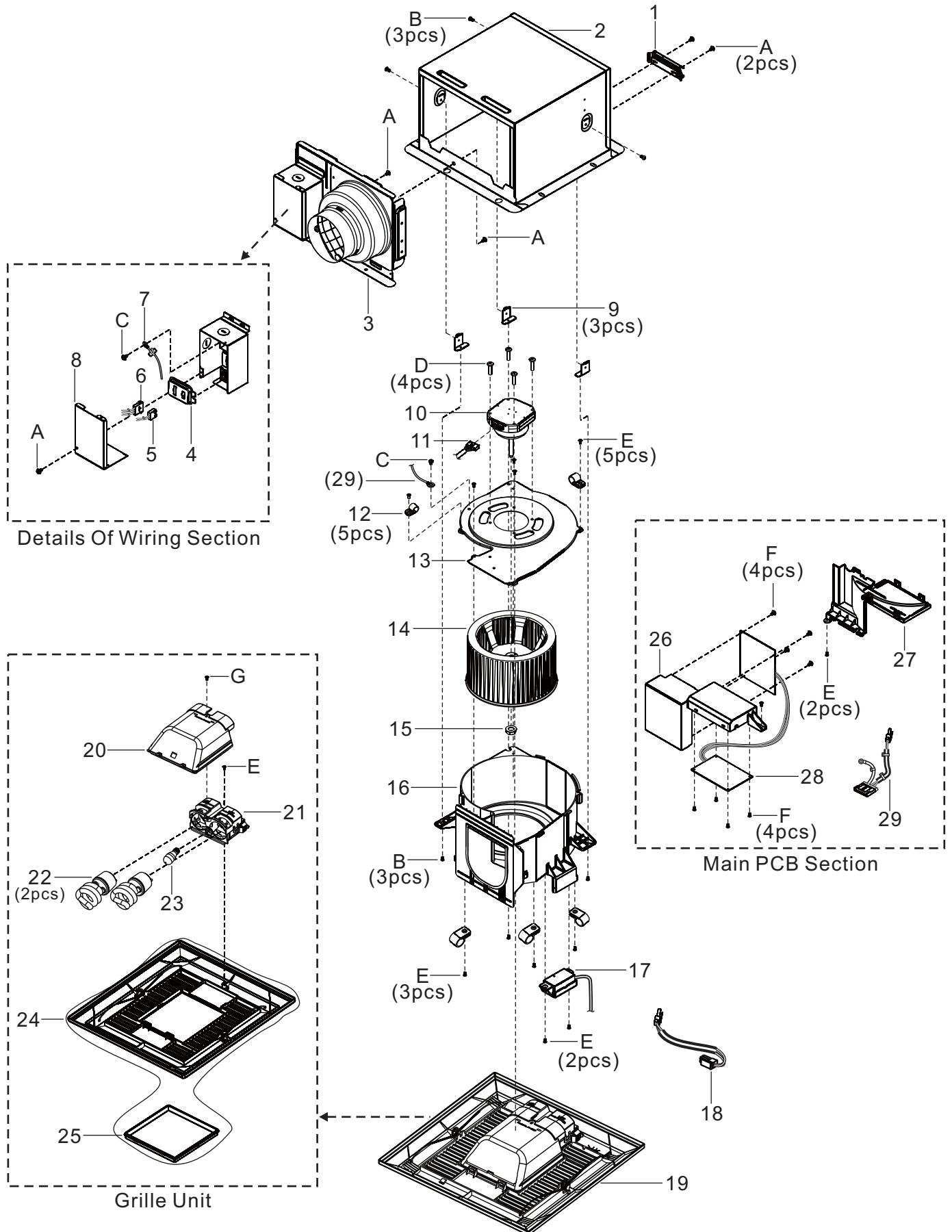


Main Packing Materials

2.Parts Identification

FV-08VKSL4

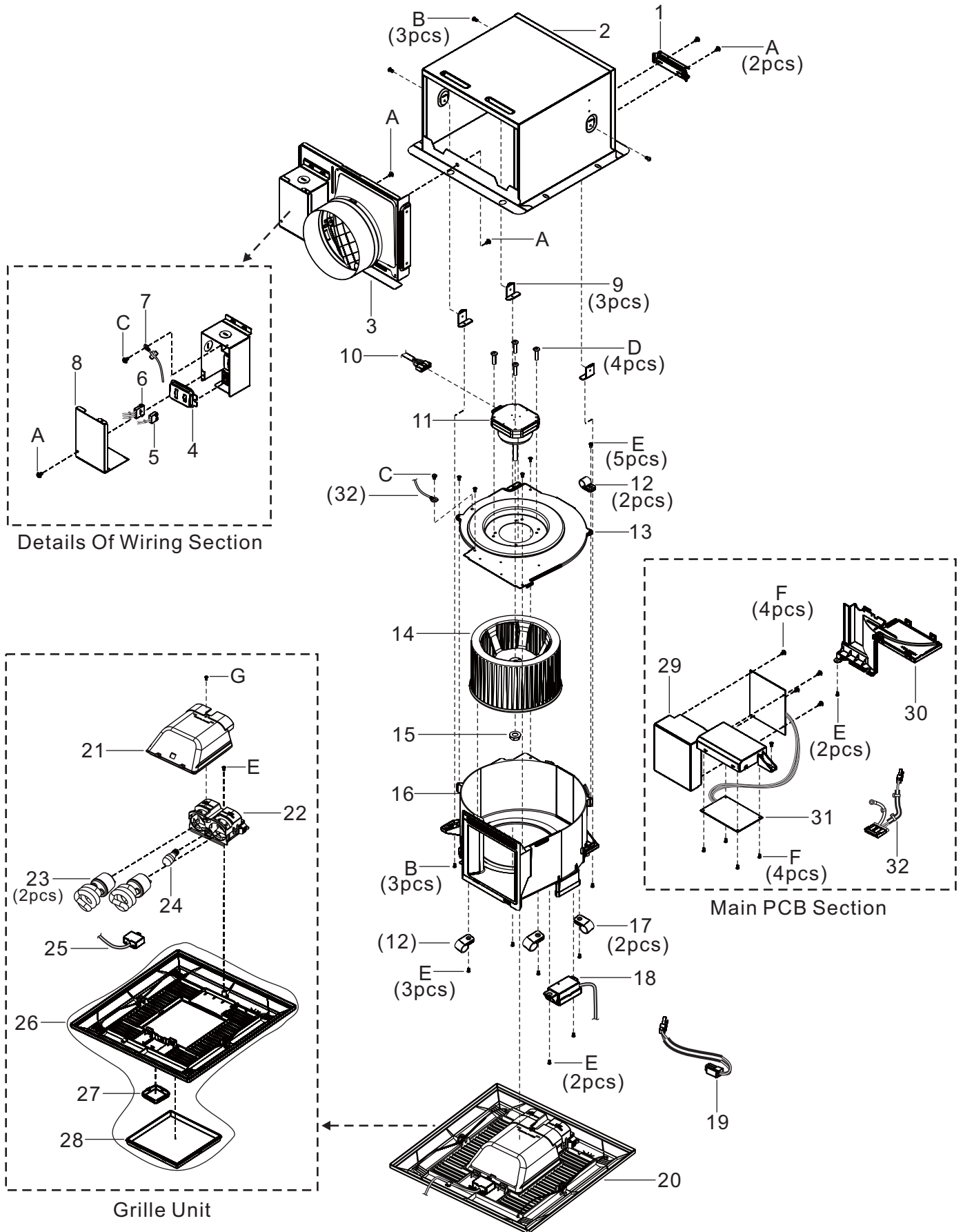
Main Body Section



2.Parts Identification

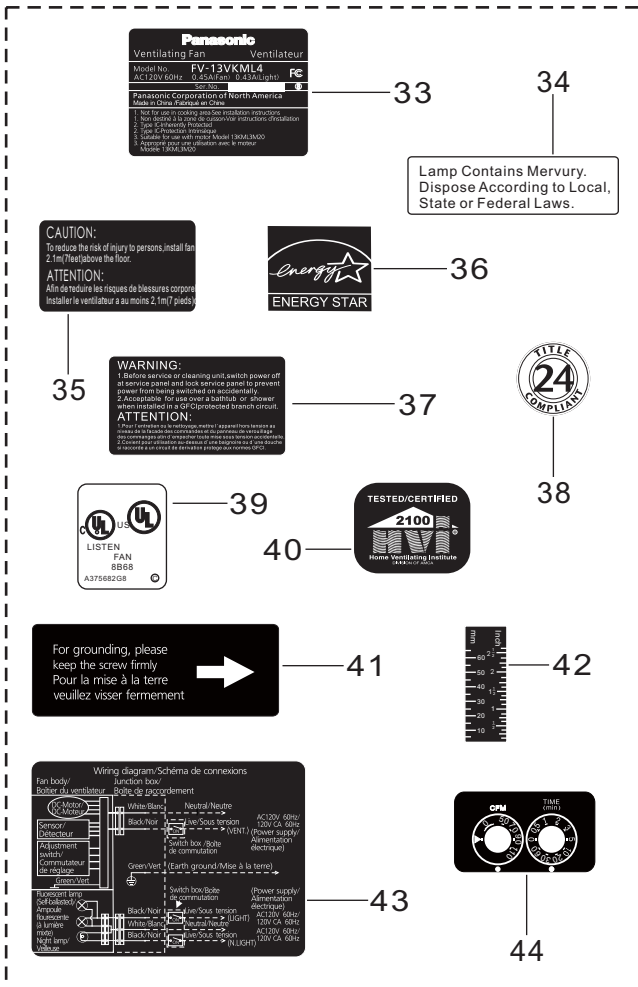
FV-13VKML4

Main Body Section

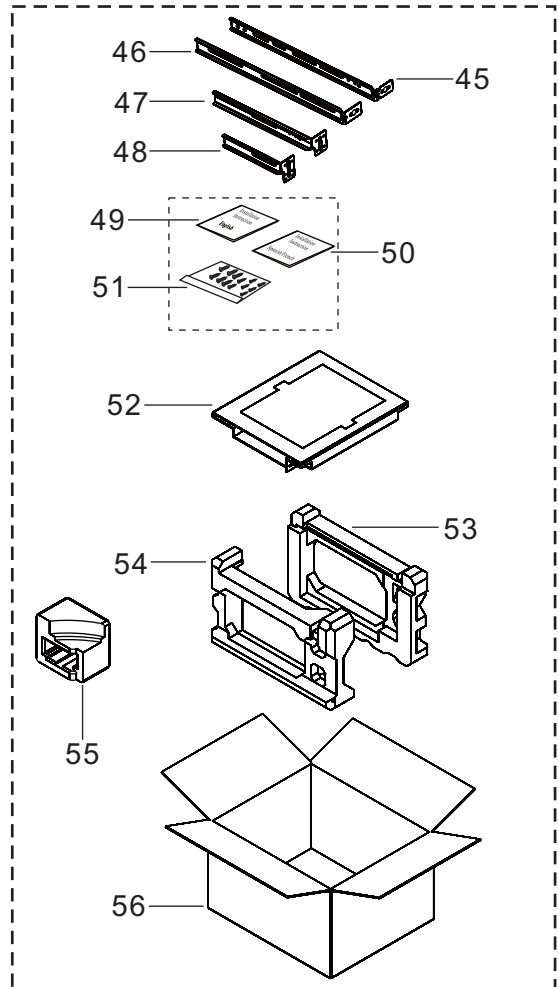


2.Parts Identification

FV-13VKML4



Main Labels

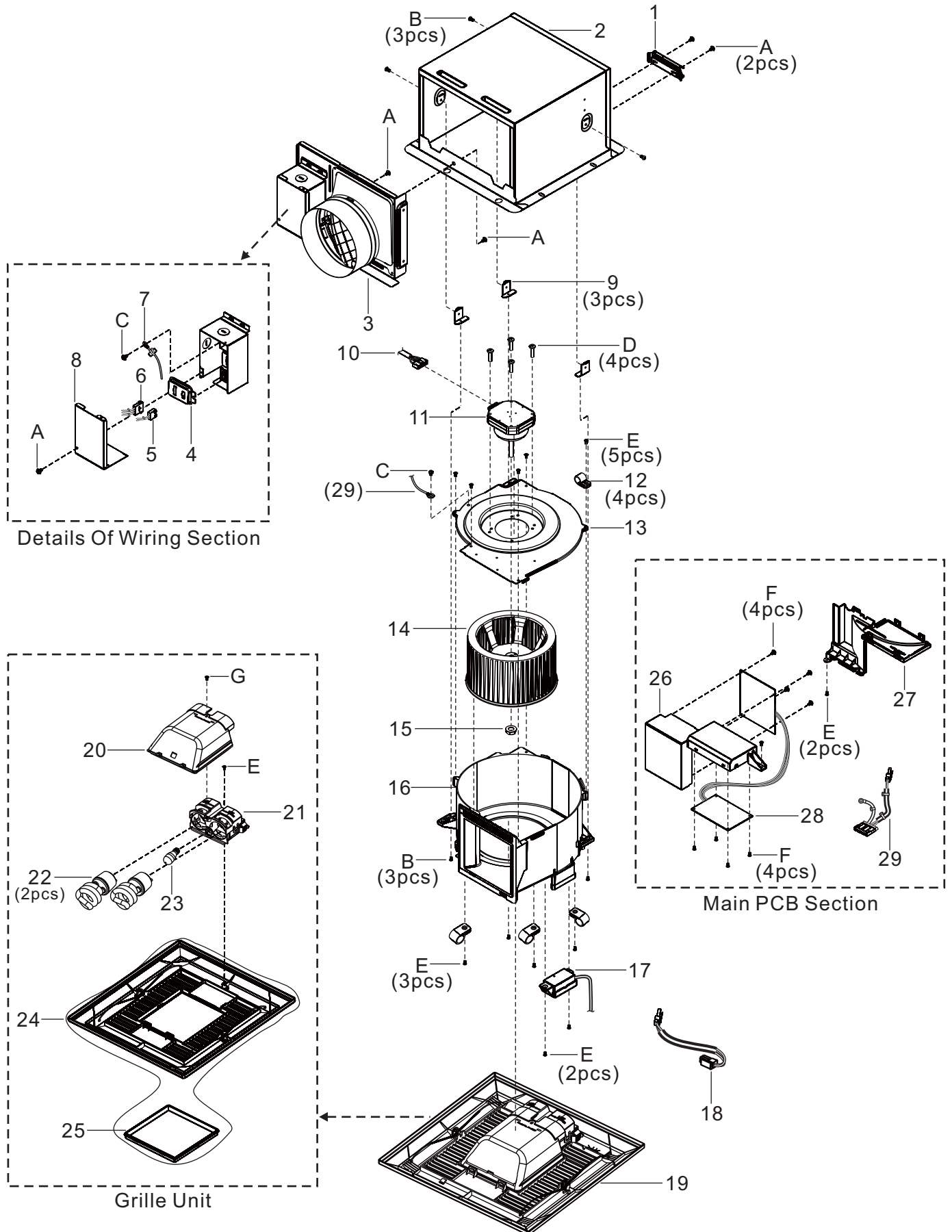


Main Packing Materials

2.Parts Identification

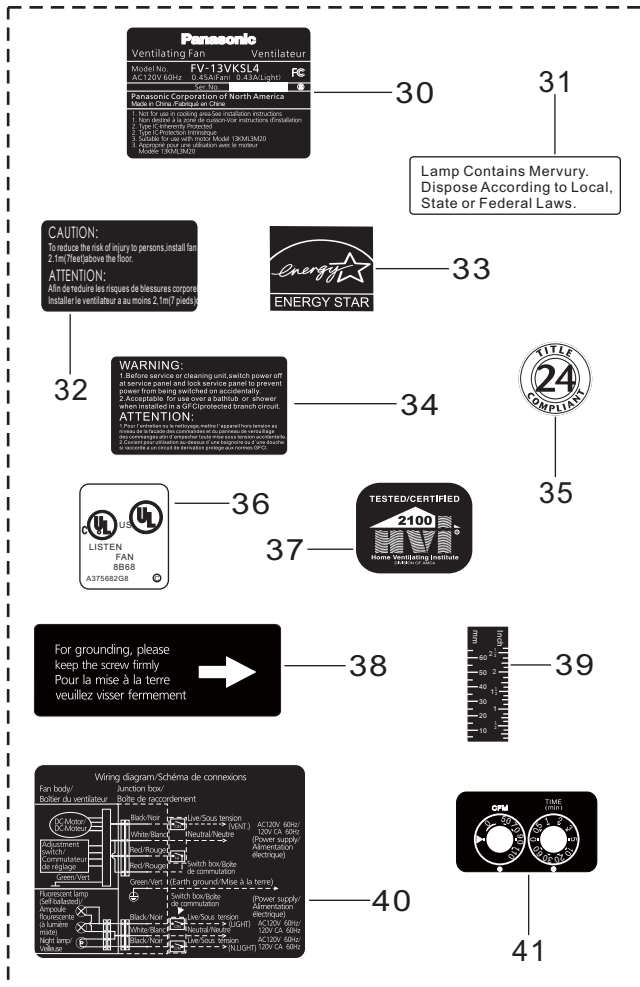
FV-13VKSL4

Main Body Section

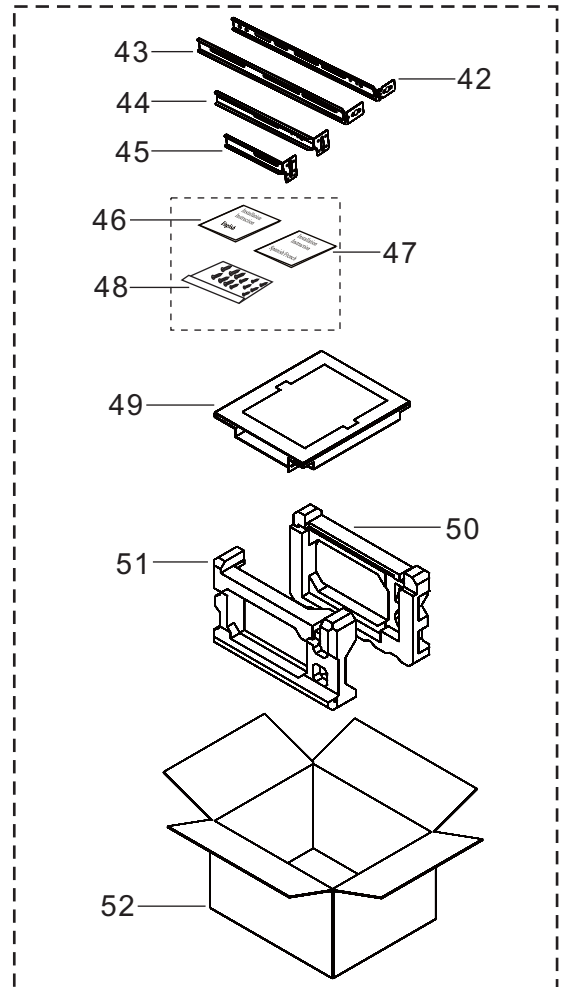


2.Parts Identification

FV-13VKSL4



Main Labels

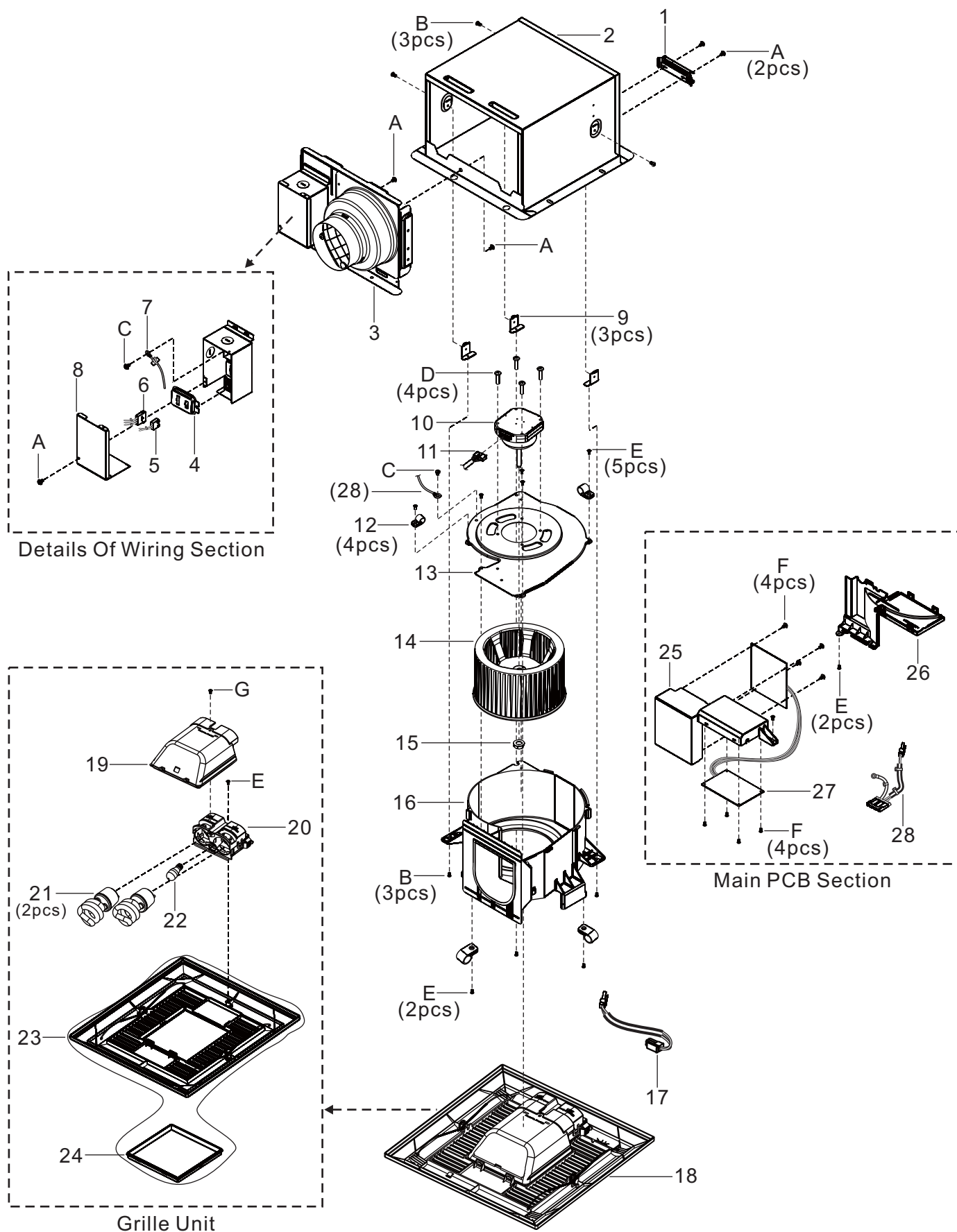


Main Packing Materials

2.Parts Identification

FV-08VKL4

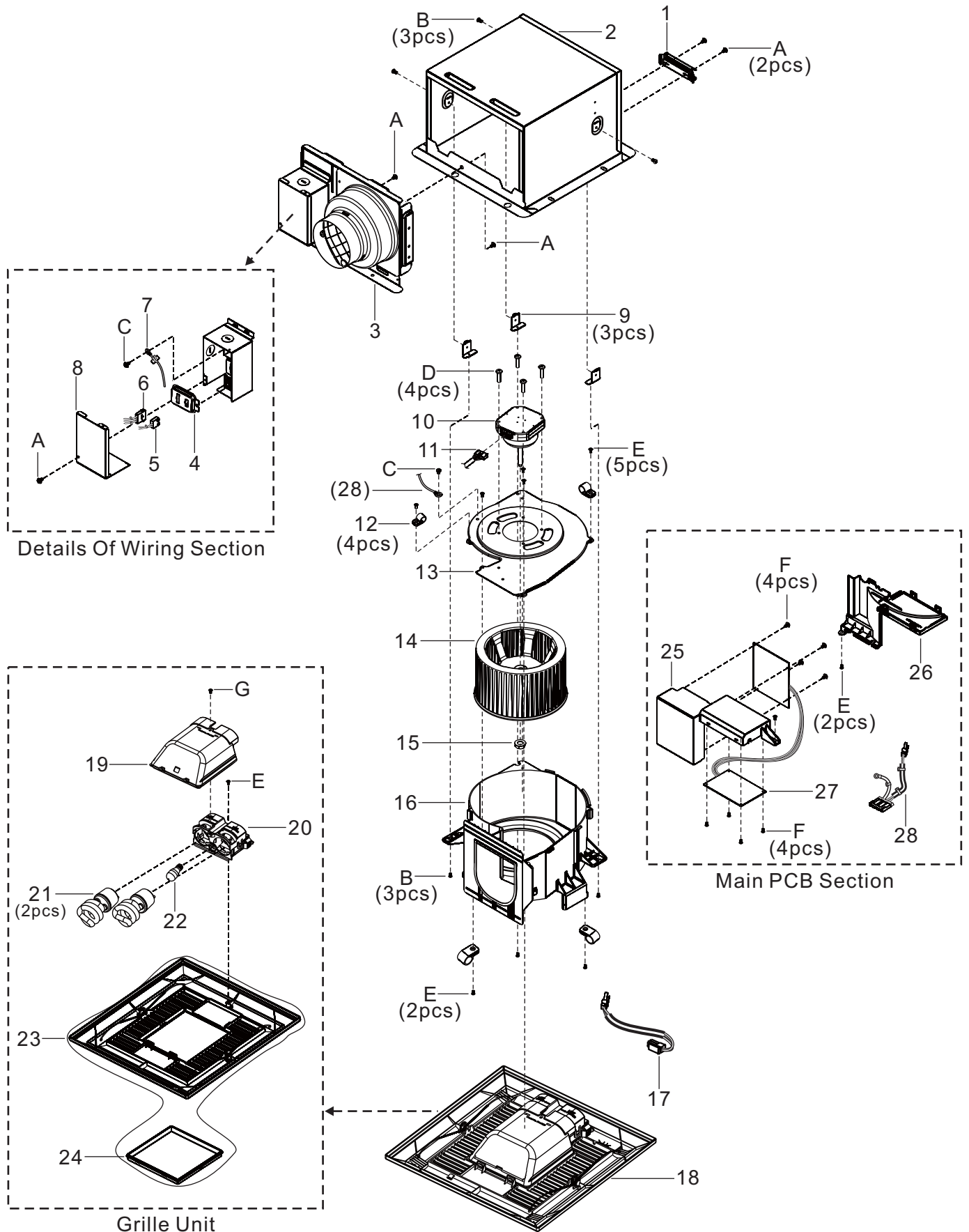
Main Body Section



2.Parts Identification

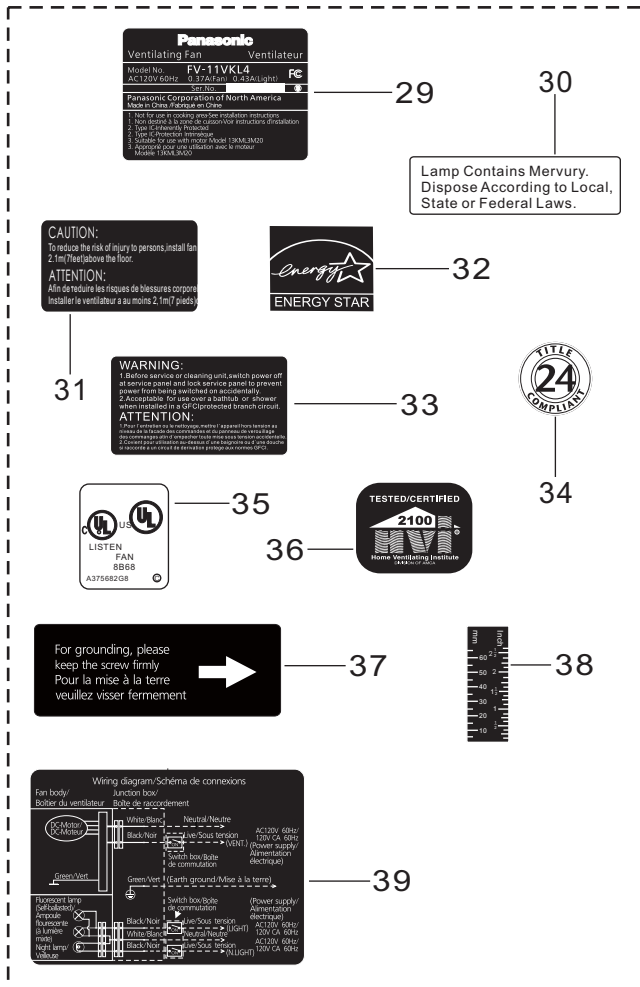
FV-11VKL4

Main Body Section

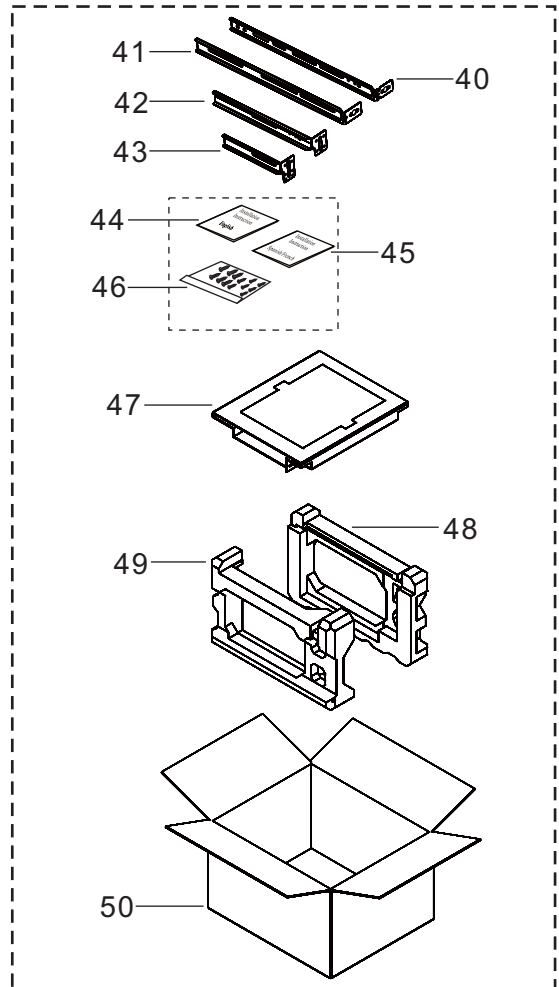


2.Parts Identification

FV-11VKL4



Main Labels

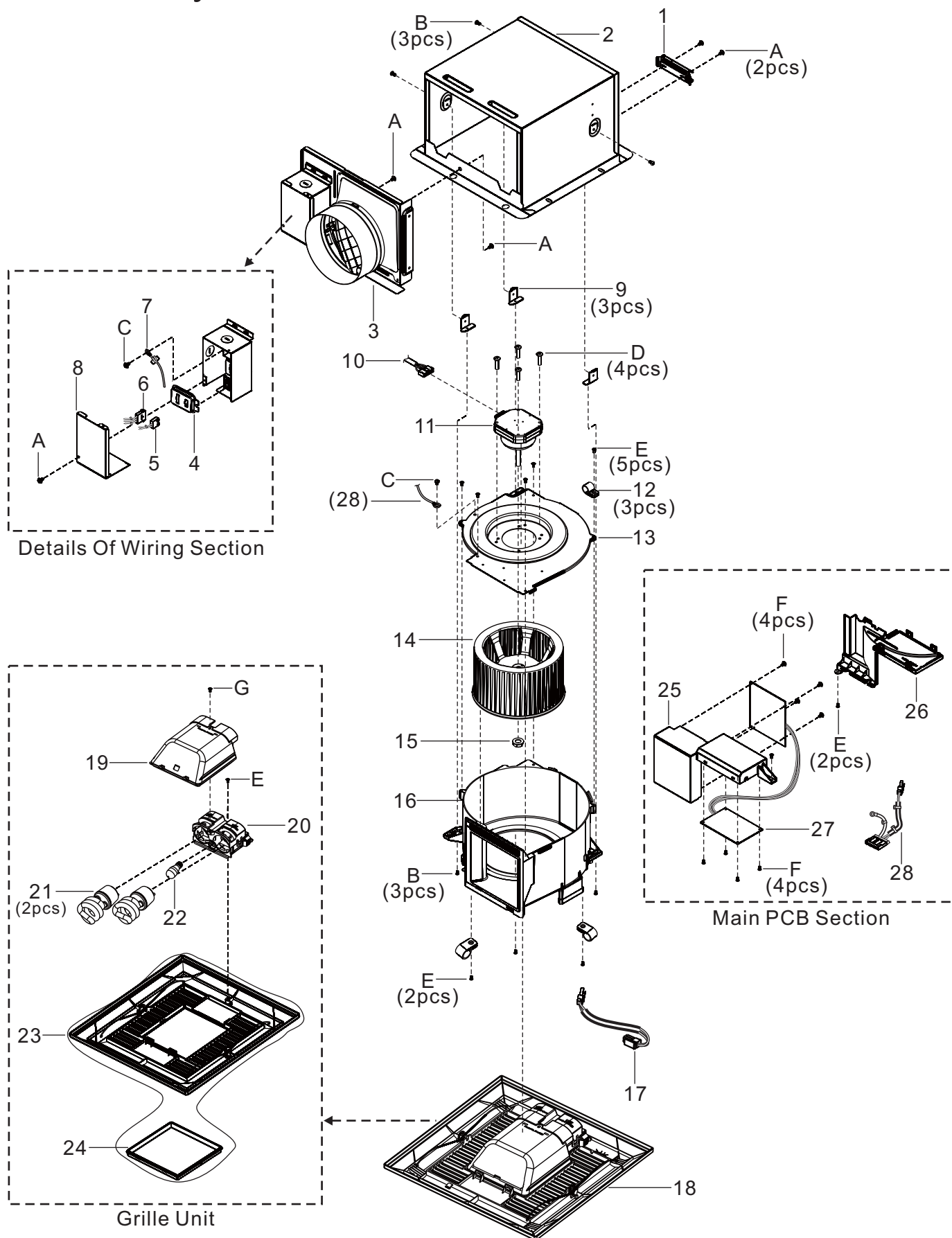


Main Packing Materials

2.Parts Identification

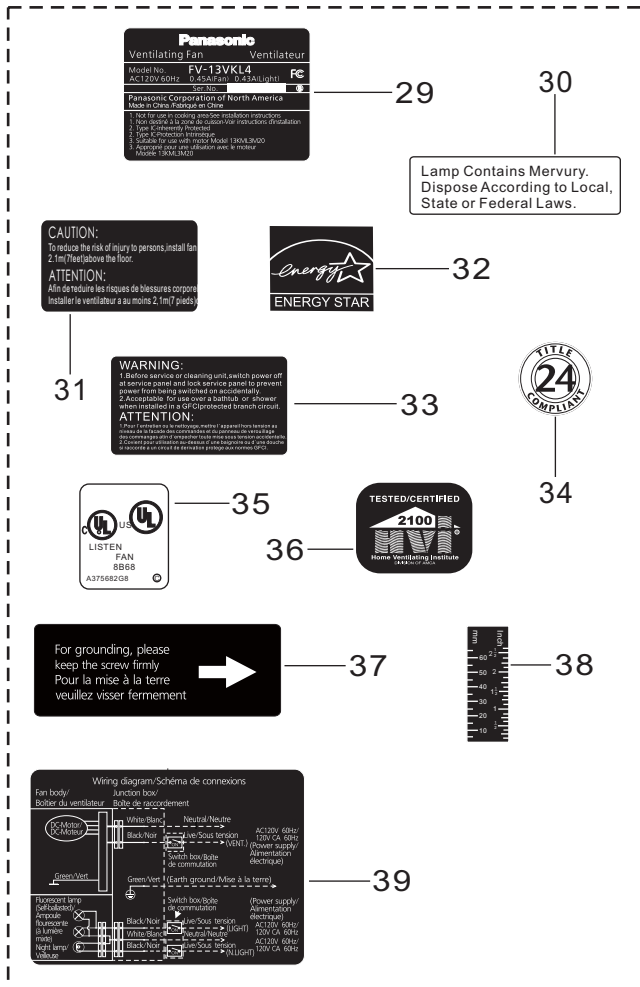
FV-13VKL4

Main Body Section

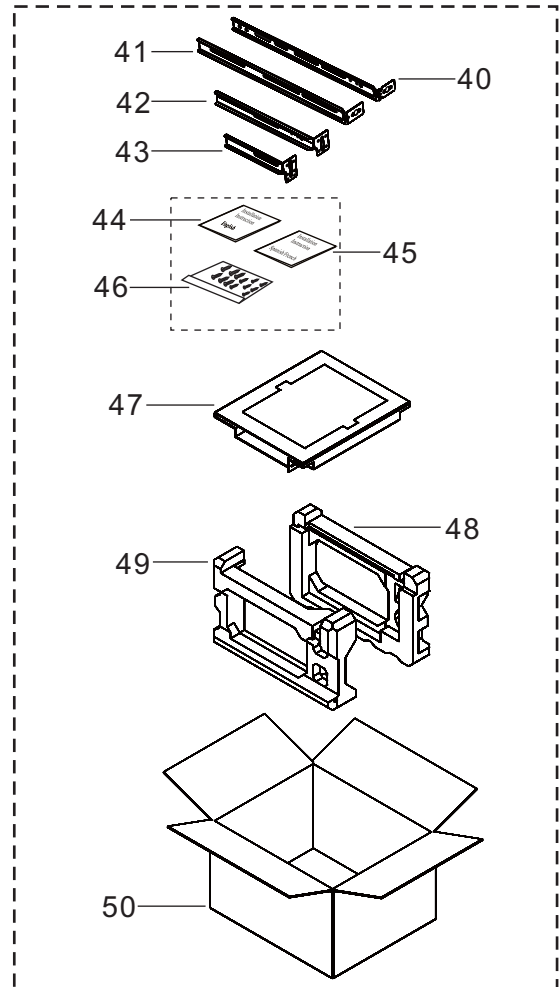


2.Parts Identification

FV-13VKL4



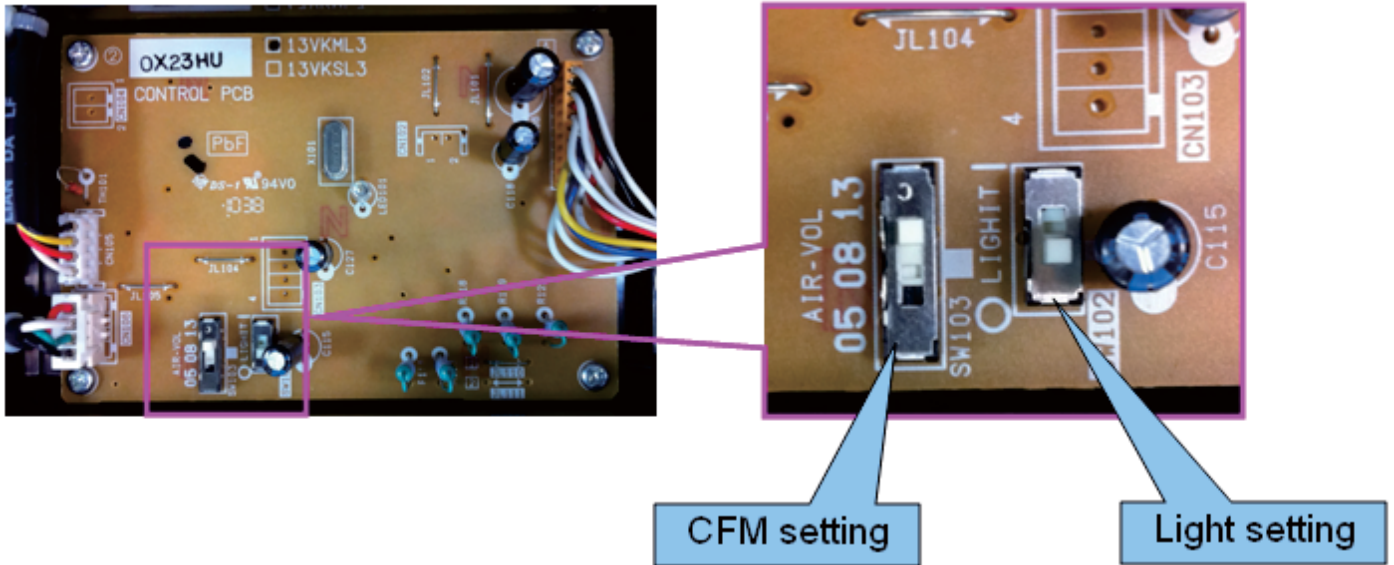
Main Labels



Main Packing Materials

2.Parts Identification

Replace Main PCB Assembly

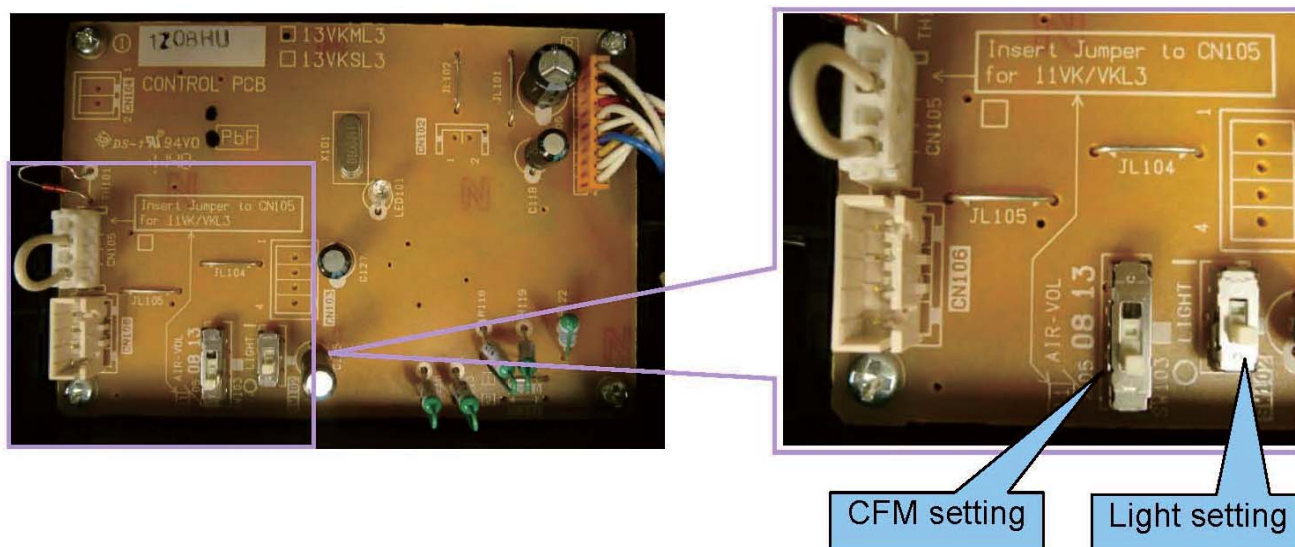


The main PCB assembly is commonly used in below models. If you replace PCB, please set up the switch according to below table firstly.

Model	Part No.	Part Name	Switch setting condition for PCB (SW103、SW102)
FV-08VKML4	FFV3740015S	Main PCB Assembly	
FV-08VKL4	FFV3740015S	Main PCB Assembly	
FV-13VKML4	FFV3740015S	Main PCB Assembly	
FV-13VKL4	FFV3740015S	Main PCB Assembly	
FV-08VKSL4	FFV3740017S	Main PCB Assembly	
FV-13VKSL4	FFV3740017S	Main PCB Assembly	

2.Parts Identification

Replace Main PCB Assembly

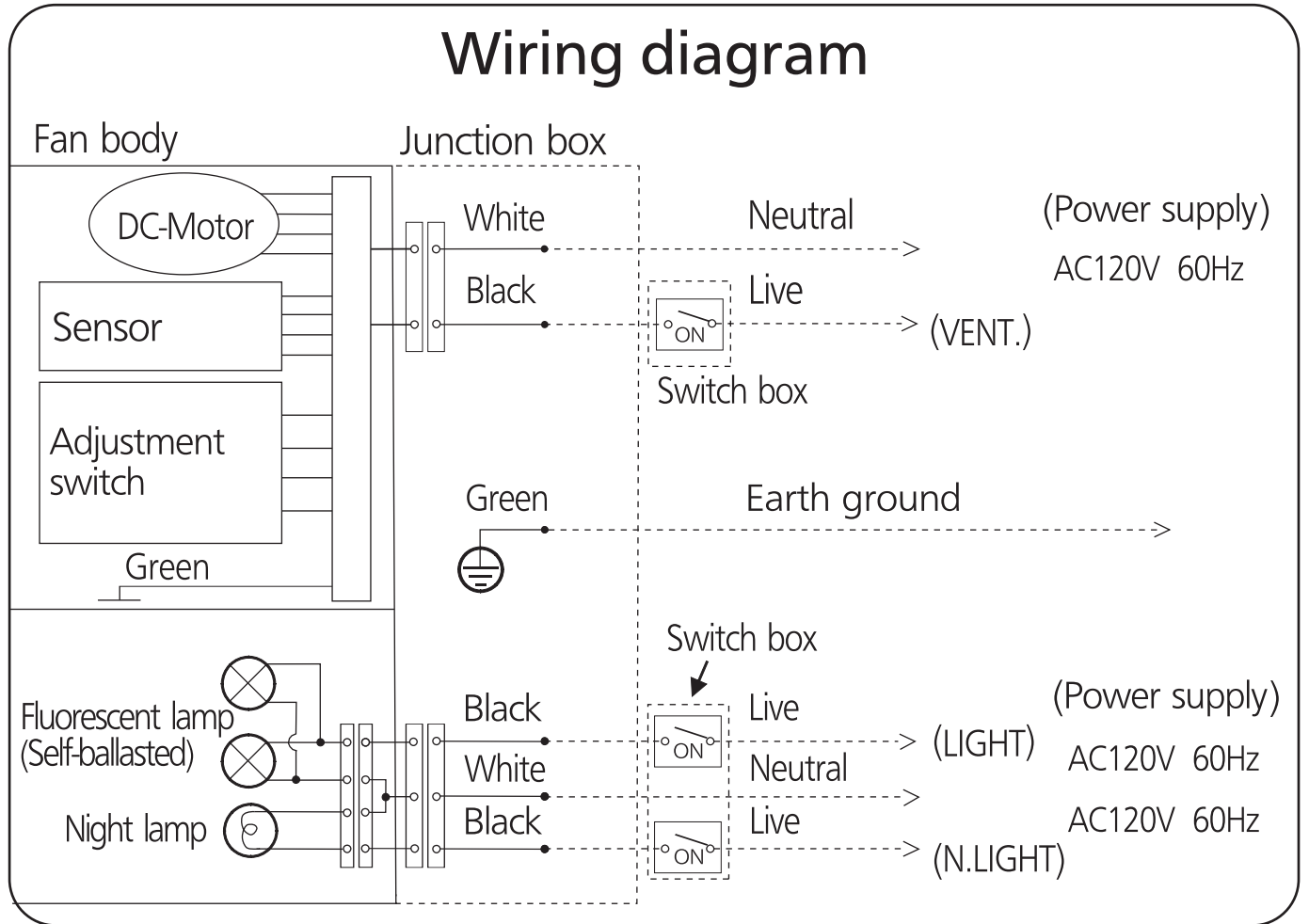


The main PCB assembly is commonly used in below models. If you replace PCB, please set up the switch according to below table firstly.

Model	Part No.	Part Name	Switch setting condition for PCB (SW103、SW102)
FV-11VKL4	FFV3740024S	Main PCB Assembly	

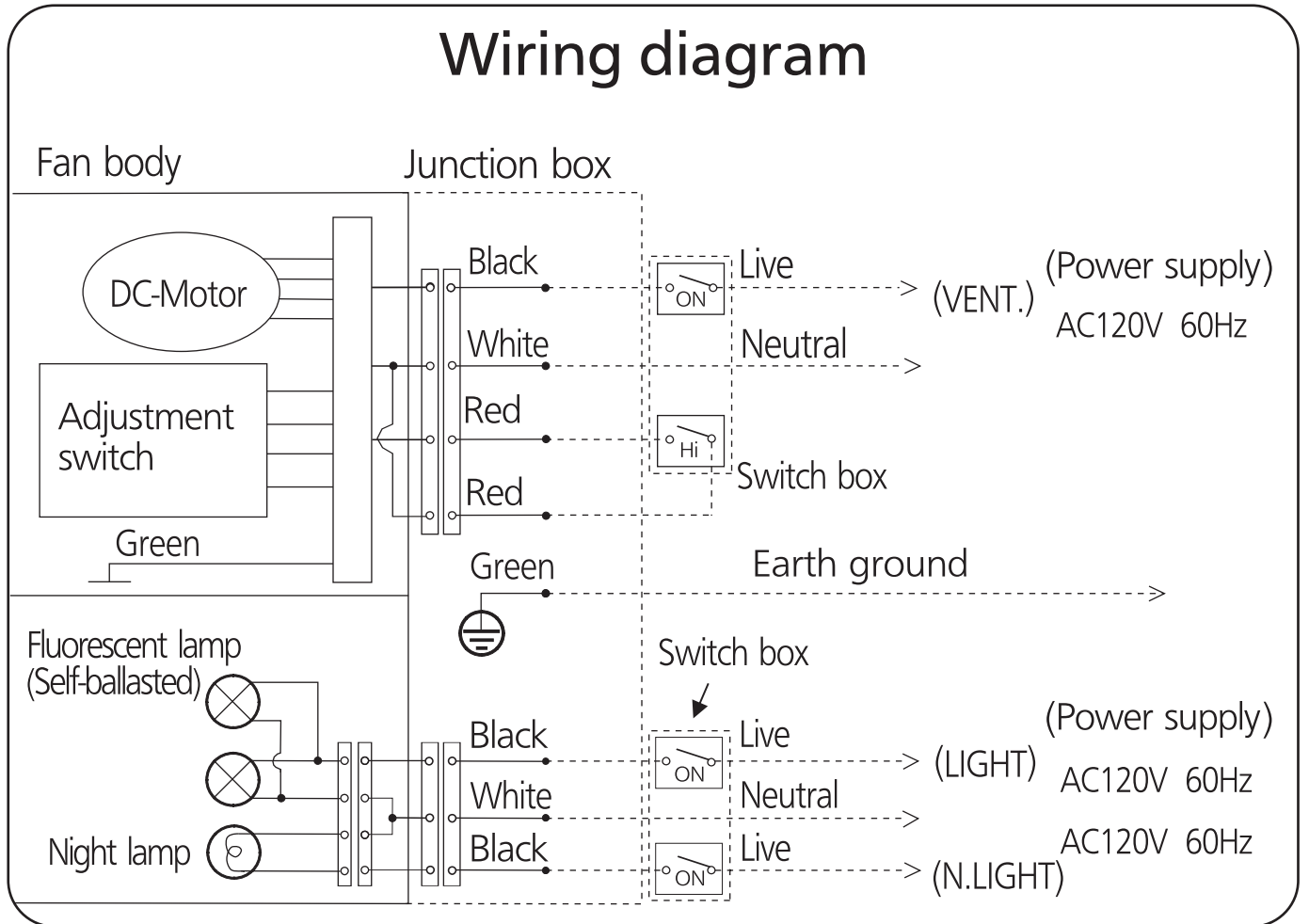
3. Wiring Diagram

FV-08VKML4
FV-13VKML4



3.Wiring Diagram

FV-08VKSL4
FV-13VKSL4

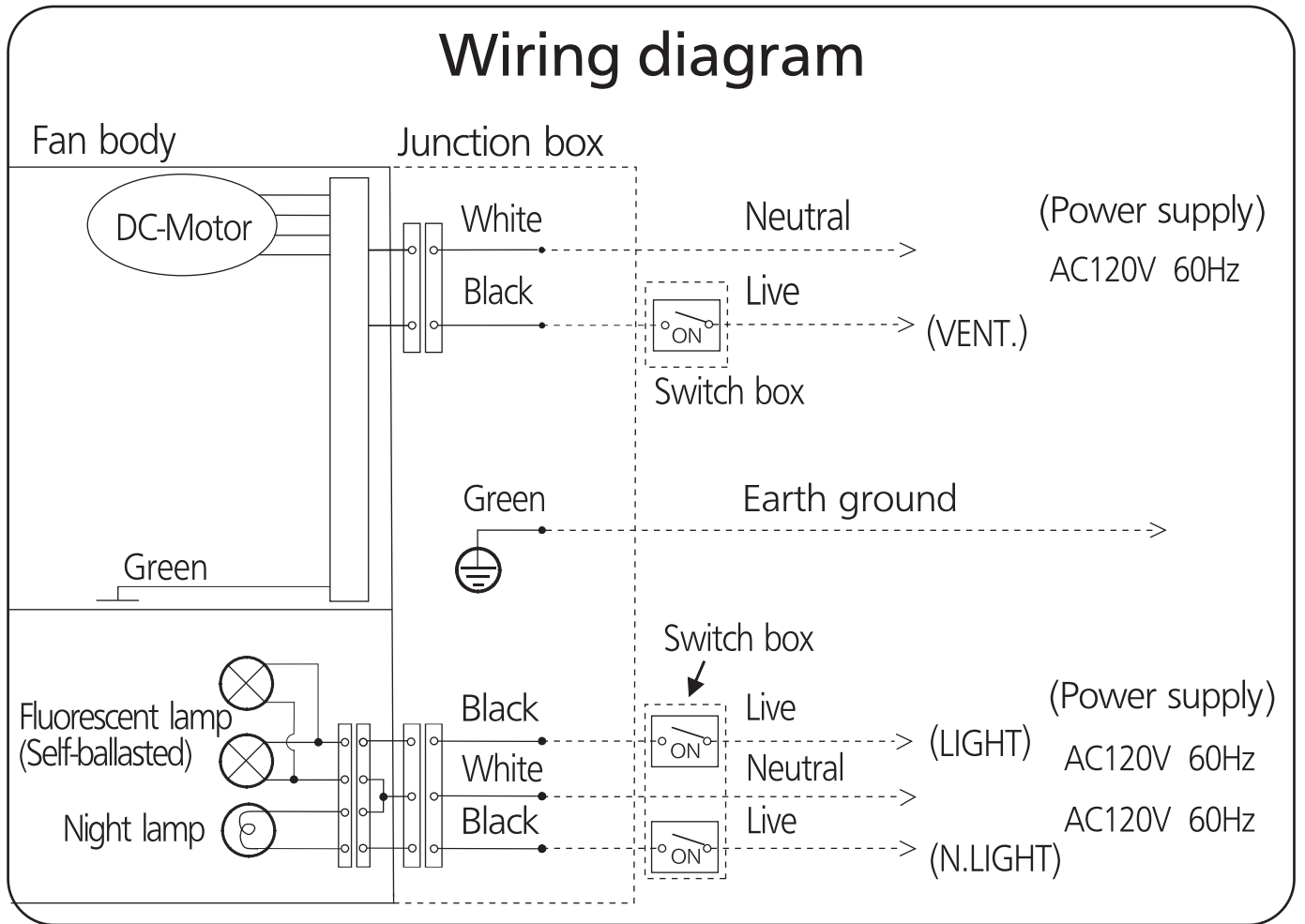


3. Wiring Diagram

FV-08VKL4

FV-11VKL4

FV-13VKL4



4.Parts List

FV-08VKML4

No.	Part No.	Part Name	Q'ty	Remark
1	FFV0420027S	Bracket Cover	1	
2	FFV1600111S	Frame Assembly	1	
3	FFV0000112S	Adapter Assembly	1	⚠
4	FFV0900048S	Connector Plate	1	
5	FFV0900049S	Connector Assembly V	1	⚠
6	FFV0900039S	Connector Assembly L	1	⚠
7	FFV1340008S	Earth Lead Wire Assembly	1	⚠
8	FFV2800012S	Junction Cover	1	
9	FFV0800001S	Casing Support	3	
10	FFV3700323S	Motor Assembly	1	⚠
11	FFV3700324S	Motor Lead Wire Assembly	1	⚠
12	FFV0960001S	Nylon Clamp	3	
13	FFV3700325S	Motor Support	1	
14	FFV0400103S	Blade	1	⚠
15	FFV7020021S	Nut	1	For Fixing Blade
16	FFV0790077S	Casing	1	⚠
17	FFV0740027S	Nylon Clamp	2	
18	FFV5530063S	Switch Assembly	1	⚠
19	FFV0730032S	Cord Assembly B	1	⚠
20	FFV3420068S	Grille Unit	1	Not Include Sensor Box Assembly⚠
21	FFV3420066S	Light Kit Cover Assembly	1	⚠
22	FFV3420071S	Lamp Holder Section	1	⚠
23	FFV3420067S	Fluorescent Lamp	2	⚠
24	FFV3420005S	Night Lamp	1	⚠
25	FFV5500028S	Sensor Box Assembly	1	⚠
26	FFV3420030S	Grille Section	1	Include Sensor Cover&Lamp Cover ⚠
27	FFV2220051S	Sensor Cover	1	⚠
28	FFV3420029S	Lamp Cover	1	⚠
29	FFV3740016S	Main PCB Box	1	⚠
30	FFV3740014S	Main PCB Cover	1	⚠
31	FFV3740015S	Main PCB Assembly	1	⚠
32	FFV4620075S	Power Lead Wire	1	⚠
33	FFV4020781S	Name Plate	1	
34	FFV6730056S	Warning Label	1	
35	FFV6730041S	Warning Label	1	
36	FFV1320001S	ESP Mark	1	
37	FFV0810002S	Caution Label	1	
38	FFV4730001S	T24 Mark Label	1	
39	FFV2260003S	UL Mark	1	
40	FFV2260002S	HVI Mark	1	
41	FFV6730045S	Warning Label	1	

4.Parts List

FV-08VKML4

No.	Part No.	Part Name	Q'ty	Remark
42	FFV5720015S	Scale Tape	1	
43	FFV6730067S	Wiring Label	1	
44	FFV5530068S	Switch Indication	1	
45	FFV5710023S	Suspension Bracket I	1	
46	FFV5710024S	Suspension Bracket II	1	
47	FFV5710018S	Suspension Bracket IV	1	
48	FFV5710019S	Suspension Bracket III	1	
49	FFV2540158S	Installation Instruction	1	English,For CA Market/USA Market
50	FFV2540159S	Installation Instruction	1	French,For USA Market
(50)	FFV2540160S	Installation Instruction	1	Spanish,For CA Market
51	FFV0010200S	Accessory A	1	
52	FFV4710359S	Grille Case Assembly	1	
53	FFV4710344S	Right Pad	1	
54	FFV4710345S	Left Pad	1	
55	FFV4710330S	Sensor Pad	1	
56	FFV9001056S	Packing Case Assembly	1	
A	FFV7000108S	Truss Tap Screw	5	
B	FFV7000065S	Bind Screw	6	
C	FFV7000168S	Earth Screw Assembly	2	Include Spring Washer&P.R Washer ⚠
D	FFV7000109S	Stainless Steel Screw	4	
E	FFV7000089S	Truss Tap Screw	11	
F	FFV7000164S	Pan Tap Screw	8	
G	FFV7000191S	Bind Screw	1	For Fixing Light Kit Cover Assembly

4.Parts List

FV-08VKSL4

No.	Part No.	Part Name	Q'ty	Remark
1	FFV0420027S	Bracket Cover	1	
2	FFV1600111S	Frame Assembly	1	
3	FFV0000113S	Adapter Assembly	1	⚠
4	FFV0900050S	Connector Plate	1	
5	FFV0900051S	Connector Assembly V	1	⚠
6	FFV0900039S	Connector Assembly L	1	⚠
7	FFV1340008S	Earth Lead Wire Assembly	1	⚠
8	FFV2800012S	Junction Cover	1	
9	FFV0800001S	Casing Support	3	
10	FFV3700323S	Motor Assembly	1	⚠
11	FFV3700324S	Motor Lead Wire Assembly	1	⚠
12	FFV0960001S	Nylon Clamp	5	
13	FFV3700325S	Motor Support	1	
14	FFV0400103S	Blade	1	⚠
15	FFV7020021S	Nut	1	For Fixing Blade
16	FFV0790077S	Casing	1	⚠
17	FFV5530063S	Switch Assembly	1	⚠
18	FFV0730032S	Cord Assembly B	1	⚠
19	FFV3420065S	Grille Unit	1	⚠
20	FFV3420066S	Light Kit Cover Assembly	1	⚠
21	FFV3420071S	Lamp Holder Section	1	⚠
22	FFV3420067S	Fluorescent Lamp	2	⚠
23	FFV3420005S	Night Lamp	1	⚠
24	FFV3420028S	Grille Section	1	Include Lamp Cover
25	FFV3420029S	Lamp Cover	1	⚠
26	FFV3740016S	Main PCB Box	1	⚠
27	FFV3740014S	Main PCB Cover	1	⚠
28	FFV3740017S	Main PCB Assembly	1	⚠
29	FFV4620076S	Power Lead Wire	1	⚠
30	FFV4020782S	Name Plate	1	
31	FFV6730056S	Warning Label	1	
32	FFV6730041S	Warning Label	1	
33	FFV1320001S	ESP Mark	1	
34	FFV0810002S	Caution Label	1	
35	FFV4730001S	T24 Mark Label	1	
36	FFV2260003S	UL Mark	1	
37	FFV2260002S	HVI Mark	1	
38	FFV6730045S	Warning Label	1	
39	FFV5720015S	Scale Tape	1	
40	FFV6730068S	Wiring Label	1	
41	FFV5530068S	Switch Indication	1	

4.Parts List

FV-08VKSL4

No.	Part No.	Part Name	Q'ty	Remark
42	FFV5710023S	Suspension Bracket I	1	
43	FFV5710024S	Suspension Bracket II	1	
44	FFV5710018S	Suspension Bracket IV	1	
45	FFV5710019S	Suspension Bracket III	1	
46	FFV2540158S	Installation Instruction	1	English,For CA Market/USA Market
47	FFV2540159S	Installation Instruction	1	French,For USA Market
(47)	FFV2540160S	Installation Instruction	1	Spanish,For CA Market
48	FFV0010200S	Accessory A	1	
49	FFV4710359S	Grille Case Assembly	1	
50	FFV4710344S	Right Pad	1	
51	FFV4710345S	Left Pad	1	
52	FFV9001057S	Packing Case Assembly	1	
A	FFV7000108S	Truss Tap Screw	5	
B	FFV7000065S	Bind Screw	6	
C	FFV7000168S	Earth Screw Assembly	2	Include Spring Washer&P.R Washer ⚠
D	FFV7000109S	Stainless Steel Screw	4	
E	FFV7000089S	Truss Tap Screw	11	
F	FFV7000164S	Pan Tap Screw	8	
G	FFV7000191S	Bind Screw	1	For Fixing Light Kit Cover Assembly

4.Parts List

FV-13VKML4

No.	Part No.	Part Name	Q'ty	Remark
1	FFV0420027S	Bracket Cover	1	
2	FFV1600111S	Frame Assembly	1	
3	FFV0000114S	Adapter Assembly	1	⚠
4	FFV0900048S	Connector Plate	1	
5	FFV0900049S	Connector Assembly V	1	⚠
6	FFV0900039S	Connector Assembly L	1	⚠
7	FFV1340008S	Earth Lead Wire Assembly	1	⚠
8	FFV2800012S	Junction Cover	1	
9	FFV0800001S	Casing Support	3	
10	FFV3700324S	Motor Lead Wire Assembly	1	⚠
11	FFV3700323S	Motor Assembly	1	⚠
12	FFV0960001S	Nylon Clamp	2	
13	FFV3700326S	Motor Support	1	
14	FFV0400104S	Blade	1	⚠
15	FFV7020021S	Nut	1	For Fixing Blade
16	FFV0790078S	Casing	1	⚠
17	FFV0740027S	Nylon Clamp	2	
18	FFV5530064S	Switch Assembly	1	⚠
19	FFV0730032S	Cord Assembly B	1	⚠
20	FFV3420068S	Grille Unit	1	Not Include Sensor Box Assembly⚠
21	FFV3420066S	Light Kit Cover Assembly	1	⚠
22	FFV3420071S	Lamp Holder Section	1	⚠
23	FFV3420067S	Fluorescent Lamp	2	⚠
24	FFV3420005S	Night Lamp	1	⚠
25	FFV5500028S	Sensor Box Assembly	1	⚠
26	FFV3420030S	Grille Section	1	Include Sensor Cover&Lamp Cover ⚠
27	FFV2220051S	Sensor Cover	1	⚠
28	FFV3420029S	Lamp Cover	1	⚠
29	FFV3740016S	Main PCB Box	1	⚠
30	FFV3740014S	Main PCB Cover	1	⚠
31	FFV3740015S	Main PCB Assembly	1	⚠
32	FFV4620075S	Power Lead Wire	1	⚠
33	FFV4020783S	Name Plate	1	
34	FFV6730056S	Warning Label	1	
35	FFV6730041S	Warning Label	1	
36	FFV1320001S	ESP Mark	1	
37	FFV0810002S	Caution Label	1	
38	FFV4730001S	T24 Mark Label	1	
39	FFV2260003S	UL Mark	1	
40	FFV2260002S	HVI Mark	1	
41	FFV6730045S	Warning Label	1	

4.Parts List

FV-13VKML4

No.	Part No.	Part Name	Q'ty	Remark
42	FFV5720015S	Scale Tape	1	
43	FFV6730067S	Wiring Label	1	
44	FFV5530069S	Switch Indication	1	
45	FFV5710023S	Suspension Bracket I	1	
46	FFV5710024S	Suspension Bracket II	1	
47	FFV5710018S	Suspension Bracket IV	1	
48	FFV5710019S	Suspension Bracket III	1	
49	FFV2540158S	Installation Instruction	1	English,For CA Market/USA Market
50	FFV2540159S	Installation Instruction	1	French,For USA Market
(50)	FFV2540160S	Installation Instruction	1	Spanish,For CA Market
51	FFV0010200S	Accessory A	1	
52	FFV4710359S	Grille Case Assembly	1	
53	FFV4710344S	Right Pad	1	
54	FFV4710345S	Left Pad	1	
55	FFV4710330S	Sensor Pad	1	
56	FFV9001058S	Packing Case Assembly	1	
A	FFV7000108S	Truss Tap Screw	5	
B	FFV7000065S	Bind Screw	6	
C	FFV7000168S	Earth Screw Assembly	2	Include Spring Washer&P.R Washer ⚠
D	FFV7000109S	Stainless Steel Screw	4	
E	FFV7000089S	Truss Tap Screw	11	
F	FFV7000164S	Pan Tap Screw	8	
G	FFV7000191S	Bind Screw	1	For Fixing Light Kit Cover Assembly

4.Parts List

FV-13VKSL4

No.	Part No.	Part Name	Q'ty	Remark
1	FFV0420027S	Bracket Cover	1	
2	FFV1600111S	Frame Assembly	1	
3	FFV0000115S	Adapter Assembly	1	⚠
4	FFV0900050S	Connector Plate	1	
5	FFV0900051S	Connector Assembly V	1	⚠
6	FFV0900039S	Connector Assembly L	1	⚠
7	FFV1340008S	Earth Lead Wire Assembly	1	⚠
8	FFV2800012S	Junction Cover	1	
9	FFV0800001S	Casing Support	3	
10	FFV3700324S	Motor Lead Wire Assembly	1	⚠
11	FFV3700323S	Motor Assembly	1	⚠
12	FFV0960001S	Nylon Clamp	4	
13	FFV3700326S	Motor Support	1	
14	FFV0400104S	Blade	1	⚠
15	FFV7020021S	Nut	1	For Fixing Blade
16	FFV0790078S	Casing	1	⚠
17	FFV5530064S	Switch Assembly	1	⚠
18	FFV0730032S	Cord Assembly B	1	⚠
19	FFV3420065S	Grille Unit	1	⚠
20	FFV3420066S	Light Kit Cover Assembly	1	⚠
21	FFV3420071S	Lamp Holder Section	1	⚠
22	FFV3420067S	Fluorescent Lamp	2	⚠
23	FFV3420005S	Night Lamp	1	⚠
24	FFV3420028S	Grille Section	1	Include Lamp Cover
25	FFV3420029S	Lamp Cover	1	⚠
26	FFV3740016S	Main PCB Box	1	⚠
27	FFV3740014S	Main PCB Cover	1	⚠
28	FFV3740017S	Main PCB Assembly	1	⚠
29	FFV4620076S	Power Lead Wire	1	⚠
30	FFV4020784S	Name Plate	1	
31	FFV6730056S	Warning Label	1	
32	FFV6730041S	Warning Label	1	
33	FFV1320001S	ESP Mark	1	
34	FFV0810002S	Caution Label	1	
35	FFV4730001S	T24 Mark Label	1	
36	FFV2260003S	UL Mark	1	
37	FFV2260002S	HVI Mark	1	
38	FFV6730045S	Warning Label	1	
39	FFV5720015S	Scale Tape	1	
40	FFV6730068S	Wiring Label	1	
41	FFV5530069S	Switch Indication	1	

4.Parts List

FV-13VKSL4

No.	Part No.	Part Name	Q'ty	Remark
42	FFV5710023S	Suspension Bracket I	1	
43	FFV5710024S	Suspension Bracket II	1	
44	FFV5710018S	Suspension Bracket IV	1	
45	FFV5710019S	Suspension Bracket III	1	
46	FFV2540158S	Installation Instruction	1	English,For CA Market/USA Market
47	FFV2540159S	Installation Instruction	1	French,For USA Market
(47)	FFV2540160S	Installation Instruction	1	Spanish,For CA Market
48	FFV0010200S	Accessory A	1	
49	FFV4710359S	Grille Case Assembly	1	
50	FFV4710344S	Right Pad	1	
51	FFV4710345S	Left Pad	1	
52	FFV9001059S	Packing Case Assembly	1	
A	FFV7000108S	Truss Tap Screw	5	
B	FFV7000065S	Bind Screw	6	
C	FFV7000168S	Earth Screw Assembly	2	Include Spring Washer&P.R Washer ⚠
D	FFV7000109S	Stainless Steel Screw	4	
E	FFV7000089S	Truss Tap Screw	11	
F	FFV7000164S	Pan Tap Screw	8	
G	FFV7000191S	Bind Screw	1	For Fixing Light Kit Cover Assembly

4.Parts List

FV-08VKL4

No.	Part No.	Part Name	Q'ty	Remark
1	FFV0420027S	Bracket Cover	1	
2	FFV1600111S	Frame Assembly	1	
3	FFV0000112S	Adapter Assembly	1	⚠
4	FFV0900048S	Connector Plate	1	
5	FFV0900049S	Connector Assembly V	1	⚠
6	FFV0900039S	Connector Assembly L	1	⚠
7	FFV1340008S	Earth Lead Wire Assembly	1	⚠
8	FFV2800012S	Junction Cover	1	
9	FFV0800001S	Casing Support	3	
10	FFV3700323S	Motor Assembly	1	⚠
11	FFV3700324S	Motor Lead Wire Assembly	1	⚠
12	FFV0960001S	Nylon Clamp	4	
13	FFV3700325S	Motor Support	1	
14	FFV0400103S	Blade	1	⚠
15	FFV7020021S	Nut	1	For Fixing Blade
16	FFV0790077S	Casing	1	⚠
17	FFV0730032S	Cord Assembly B	1	⚠
18	FFV3420065S	Grille Unit	1	⚠
19	FFV3420066S	Light Kit Cover Assembly	1	⚠
20	FFV3420071S	Lamp Holder Section	1	⚠
21	FFV3420067S	Fluorescent Lamp	2	⚠
22	FFV3420005S	Night Lamp	1	⚠
23	FFV3420028S	Grille Section	1	Include Lamp Cover ⚠
24	FFV3420029S	Lamp Cover	1	⚠
25	FFV3740016S	Main PCB Box	1	⚠
26	FFV3740014S	Main PCB Cover	1	⚠
27	FFV3740015S	Main PCB Assembly	1	⚠
28	FFV4620075S	Power Lead Wire	1	⚠
29	FFV4020785S	Name Plate	1	
30	FFV6730056S	Warning Label	1	
31	FFV6730041S	Warning Label	1	
32	FFV1320001S	ESP Mark	1	
33	FFV0810002S	Caution Label	1	
34	FFV4730001S	T24 Mark Label	1	
35	FFV2260003S	UL Mark	1	
36	FFV2260002S	HVI Mark	1	
37	FFV6730045S	Warning Label	1	
38	FFV5720015S	Scale Tape	1	
39	FFV6730069S	Wiring Label	1	
40	FFV5710023S	Suspension Bracket I	1	
41	FFV5710024S	Suspension Bracket II	1	

4.Parts List

FV-08VKL4

No.	Part No.	Part Name	Q'ty	Remark
42	FFV5710018S	Suspension Bracket IV	1	
43	FFV5710019S	Suspension Bracket III	1	
44	FFV2540158S	Installation Instruction	1	English,For CA Market/USA Market
45	FFV2540159S	Installation Instruction	1	French,For USA Market
(45)	FFV2540160S	Installation Instruction	1	Spanish,For CA Market
46	FFV0010200S	Accessory A	1	
47	FFV4710359S	Grille Case Assembly	1	
48	FFV4710344S	Right Pad	1	
49	FFV4710345S	Left Pad	1	
50	FFV9001060S	Packing Case Assembly	1	
A	FFV7000108S	Truss Tap Screw	5	
B	FFV7000065S	Bind Screw	6	
C	FFV7000168S	Earth Screw Assembly	2	Include Spring Washer&P.R Washer ⚠
D	FFV7000109S	Stainless Steel Screw	4	
E	FFV7000089S	Truss Tap Screw	8	
F	FFV7000164S	Pan Tap Screw	8	
G	FFV7000191S	Bind Screw	1	For Fixing Light Kit Cover Assembly

4.Parts List

FV-11VKL4

No.	Part No.	Part Name	Q'ty	Remark
1	FFV0420027S	Bracket Cover	1	
2	FFV1600111S	Frame Assembly	1	
3	FFV0000112S	Adapter Assembly	1	⚠
4	FFV0900048S	Connector Plate	1	
5	FFV0900049S	Connector Assembly V	1	⚠
6	FFV0900039S	Connector Assembly L	1	⚠
7	FFV1340008S	Earth Lead Wire Assembly	1	⚠
8	FFV2800012S	Junction Cover	1	
9	FFV0800001S	Casing Support	3	
10	FFV3700323S	Motor Assembly	1	⚠
11	FFV3700324S	Motor Lead Wire Assembly	1	⚠
12	FFV0960001S	Nylon Clamp	4	
13	FFV3700325S	Motor Support	1	
14	FFV0400103S	Blade	1	⚠
15	FFV7020021S	Nut	1	For Fixing Blade
16	FFV0790077S	Casing	1	⚠
17	FFV0730032S	Cord Assembly B	1	⚠
18	FFV3420065S	Grille Unit	1	⚠
19	FFV3420066S	Light Kit Cover Assembly	1	⚠
20	FFV3420071S	Lamp Holder Section	1	⚠
21	FFV3420067S	Fluorescent Lamp	2	⚠
22	FFV3420005S	Night Lamp	1	⚠
23	FFV3420028S	Grille Section	1	Include Lamp Cover
24	FFV3420029S	Lamp Cover	1	⚠
25	FFV3740016S	Main PCB Box	1	⚠
26	FFV3740014S	Main PCB Cover	1	⚠
27	FFV3740024S	Main PCB Assembly	1	⚠
28	FFV4620075S	Power Lead Wire	1	⚠
29	FFV4020786S	Name Plate	1	
30	FFV6730056S	Warning Label	1	
31	FFV6730041S	Warning Label	1	
32	FFV1320001S	ESP Mark	1	
33	FFV0810002S	Caution Label	1	
34	FFV4730001S	T24 Mark Label	1	
35	FFV2260003S	UL Mark	1	
36	FFV2260002S	HVI Mark	1	
37	FFV6730045S	Warning Label	1	
38	FFV5720015S	Scale Tape	1	
39	FFV6730069S	Wiring Label	1	
40	FFV5710023S	Suspension Bracket I	1	
41	FFV5710024S	Suspension Bracket II	1	

4.Parts List

FV-11VKL4

No.	Part No.	Part Name	Q'ty	Remark
42	FFV5710018S	Suspension Bracket IV	1	
43	FFV5710019S	Suspension Bracket III	1	
44	FFV2540158S	Installation Instruction	1	English,For CA Market/USA Market
45	FFV2540159S	Installation Instruction	1	French,For USA Market
(45)	FFV2540160S	Installation Instruction	1	Spanish,For CA Market
46	FFV0010200S	Accessory A	1	
47	FFV4710359S	Grille Case Assembly	1	
48	FFV4710344S	Right Pad	1	
49	FFV4710345S	Left Pad	1	
50	FFV9001061S	Packing Case Assembly	1	
A	FFV7000108S	Truss Tap Screw	5	
B	FFV7000065S	Bind Screw	6	
C	FFV7000168S	Earth Screw Assembly	2	Include Spring Washer&P.R Washer ⚠
D	FFV7000109S	Stainless Steel Screw	4	
E	FFV7000089S	Truss Tap Screw	8	
F	FFV7000164S	Pan Tap Screw	8	
G	FFV7000191S	Bind Screw	1	For Fixing Light Kit Cover Assembly

4.Parts List

FV-13VKL4

No.	Part No.	Part Name	Q'ty	Remark
1	FFV0420027S	Bracket Cover	1	
2	FFV1600111S	Frame Assembly	1	
3	FFV0000114S	Adapter Assembly	1	⚠
4	FFV0900048S	Connector Plate	1	
5	FFV0900049S	Connector Assembly V	1	⚠
6	FFV0900039S	Connector Assembly L	1	⚠
7	FFV1340008S	Earth Lead Wire Assembly	1	⚠
8	FFV2800012S	Junction Cover	1	
9	FFV0800001S	Casing Support	3	
10	FFV3700323S	Motor Assembly	1	⚠
11	FFV3700324S	Motor Lead Wire Assembly	1	⚠
12	FFV0960001S	Nylon Clamp	3	
13	FFV3700326S	Motor Support	1	
14	FFV0400104S	Blade	1	⚠
15	FFV7020021S	Nut	1	For Fixing Blade
16	FFV0790078S	Casing	1	⚠
17	FFV0730032S	Cord Assembly B	1	⚠
18	FFV3420065S	Grille Unit	1	⚠
19	FFV3420066S	Light Kit Cover Assembly	1	⚠
20	FFV3420071S	Lamp Holder Section	1	⚠
21	FFV3420067S	Fluorescent Lamp	2	⚠
22	FFV3420005S	Night Lamp	1	⚠
23	FFV3420028S	Grille Section	1	Include Lamp Cover
24	FFV3420029S	Lamp Cover	1	⚠
25	FFV3740016S	Main PCB Box	1	⚠
26	FFV3740014S	Main PCB Cover	1	⚠
27	FFV3740015S	Main PCB Assembly	1	⚠
28	FFV4620075S	Power Lead Wire	1	⚠
29	FFV4020787S	Name Plate	1	
30	FFV6730056S	Warning Label	1	
31	FFV6730041S	Warning Label	1	
32	FFV1320001S	ESP Mark	1	
33	FFV0810002S	Caution Label	1	
34	FFV4730001S	T24 Mark Label	1	
35	FFV2260003S	UL Mark	1	
36	FFV2260002S	HVI Mark	1	
37	FFV6730045S	Warning Label	1	
38	FFV5720015S	Scale Tape	1	
39	FFV6730069S	Wiring Label	1	
40	FFV5710023S	Suspension Bracket I	1	
41	FFV5710024S	Suspension Bracket II	1	

4.Parts List

FV-13VKL4

No.	Part No.	Part Name	Q'ty	Remark
42	FFV5710018S	Suspension Bracket IV	1	
43	FFV5710019S	Suspension Bracket III	1	
44	FFV2540158S	Installation Instruction	1	English,For CA Market/USA Market
45	FFV2540159S	Installation Instruction	1	French,For USA Market
(45)	FFV2540160S	Installation Instruction	1	Spanish,For CA Market
46	FFV0010200S	Accessory A	1	
47	FFV4710359S	Grille Case Assembly	1	
48	FFV4710344S	Right Pad	1	
49	FFV4710345S	Left Pad	1	
50	FFV9001062S	Packing Case Assembly	1	
A	FFV7000108S	Truss Tap Screw	5	
B	FFV7000065S	Bind Screw	6	
C	FFV7000168S	Earth Screw Assembly	2	Include Spring Washer&P.R Washer ⚠
D	FFV7000109S	Stainless Steel Screw	4	
E	FFV7000089S	Truss Tap Screw	8	
F	FFV7000164S	Pan Tap Screw	8	
G	FFV7000191S	Bind Screw	1	For Fixing Light Kit Cover Assembly

Free Manuals Download Website

<http://myh66.com>

<http://usermanuals.us>

<http://www.somanuals.com>

<http://www.4manuals.cc>

<http://www.manual-lib.com>

<http://www.404manual.com>

<http://www.luxmanual.com>

<http://aubethermostatmanual.com>

Golf course search by state

<http://golfingnear.com>

Email search by domain

<http://emailbydomain.com>

Auto manuals search

<http://auto.somanuals.com>

TV manuals search

<http://tv.somanuals.com>