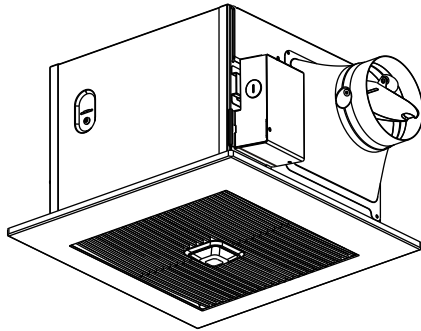
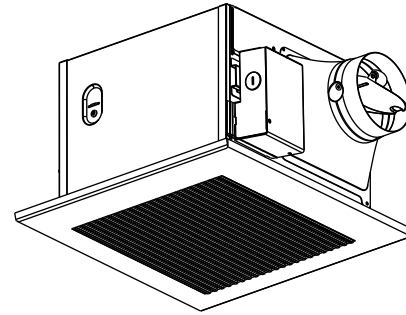


Service Manual

Ceiling Mount Ventilating Fan
Whisper Green™
(North American Market)



FV-08VKM2



FV-08VKS2

SPECIFICATIONS

Model No.	Air direction	V	Hz	Duct diameter (inches)	Noise (sones)	Power consumption (W)	Speed (rpm)	Air deliver at 0.1"WG (cfm)	Weight lb. (kg)
FV-08VKM2	Exhaust	120	60	4	<0.3	10.6	713	80	13.7(6.2)
FV-08VKS2									

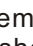
HVI Certified Performance based on HVI Procedures 915,916,and 920.



WARNING

This service information is designed for experienced repair technicians only and is not designed for use by the general public. It does not contain warnings or cautions to advise non-technical individuals of potential dangers in attempting to service a product. Products powered by electricity should be serviced or repaired only by experienced professional technicians. Any attempt to service or repair the product or products dealt with in this service information by anyone else could result in serious injury or death.

IMPORTANT SAFETY NOTICE

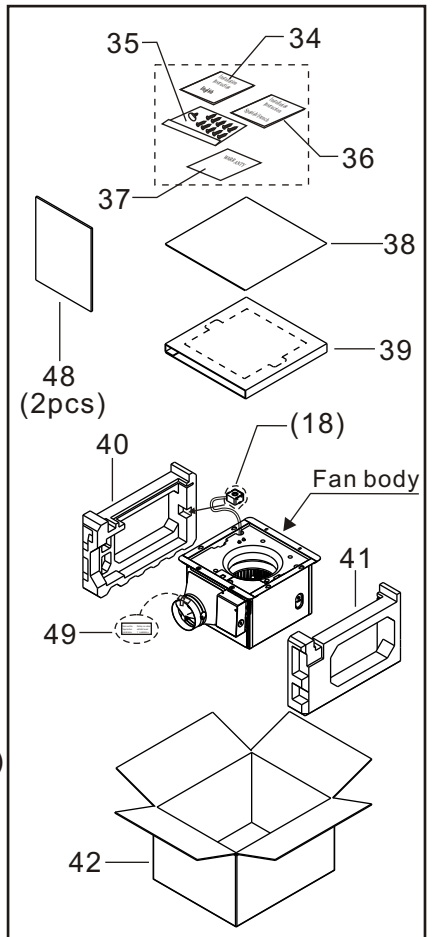
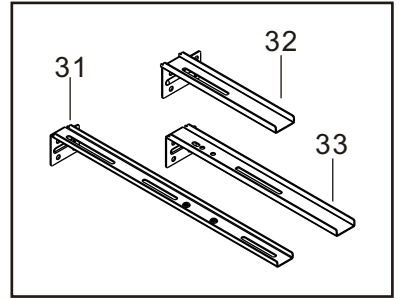
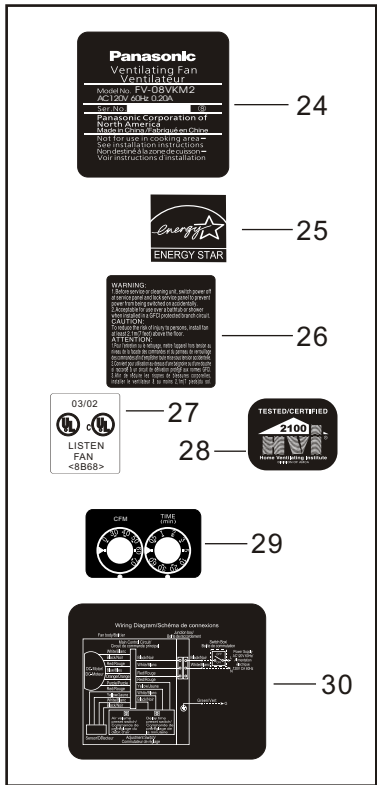
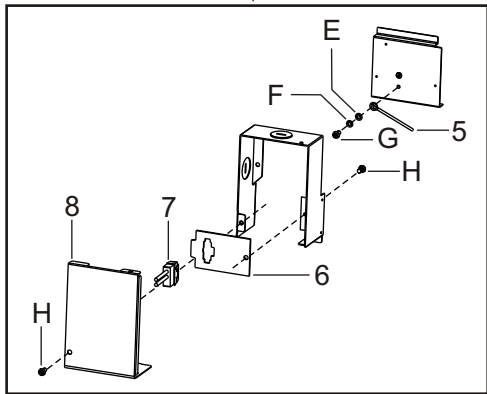
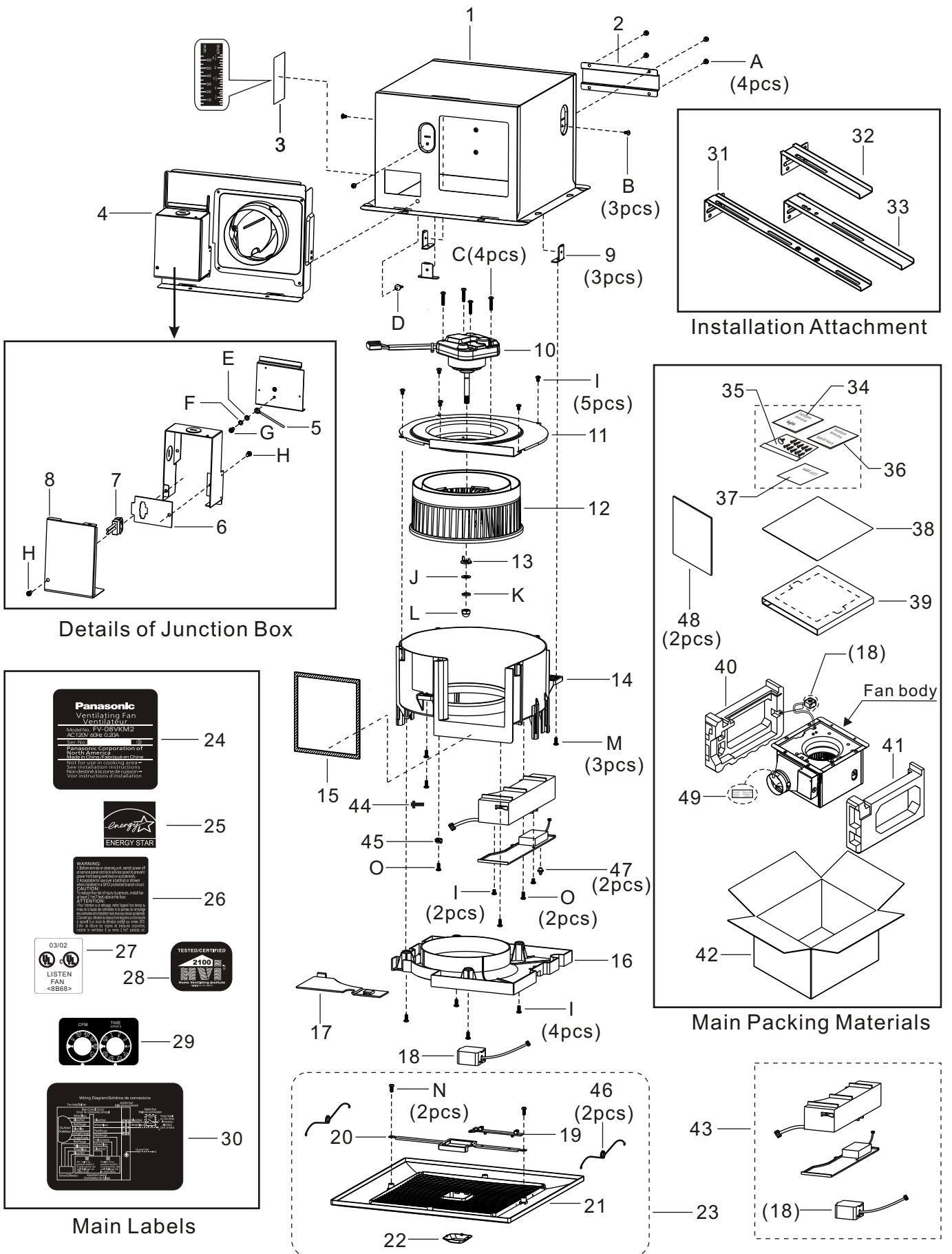
There are special components used in this equipment which are important for safety. These parts are marked by  in the Schematic Diagrams, Exploded Views and Replacement Parts List. It is essential that these critical parts should be replaced with manufacturer's specified parts to prevent shock, fire or other hazards. Do not modify the original design without permission of manufacture.

CONTENTS

	PAGE
1. Parts Identification	1~2
2. Wiring Diagram	3
3. Parts List	4~7

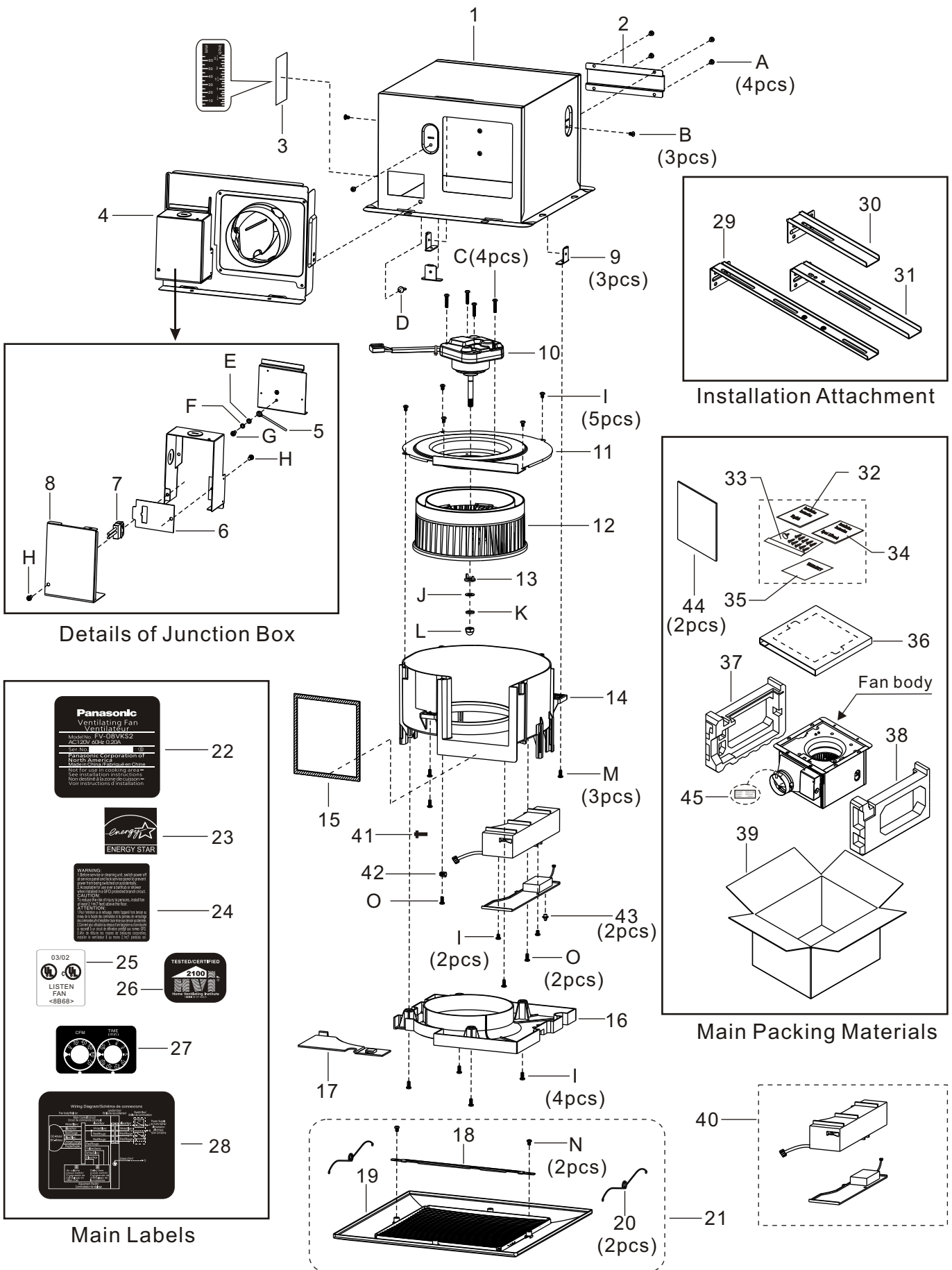
1. Parts Identification

FV-08VKM2



1. Parts Identification

FV-08VKS2



Details of Junction Box

Main Labels

Installation Attachment

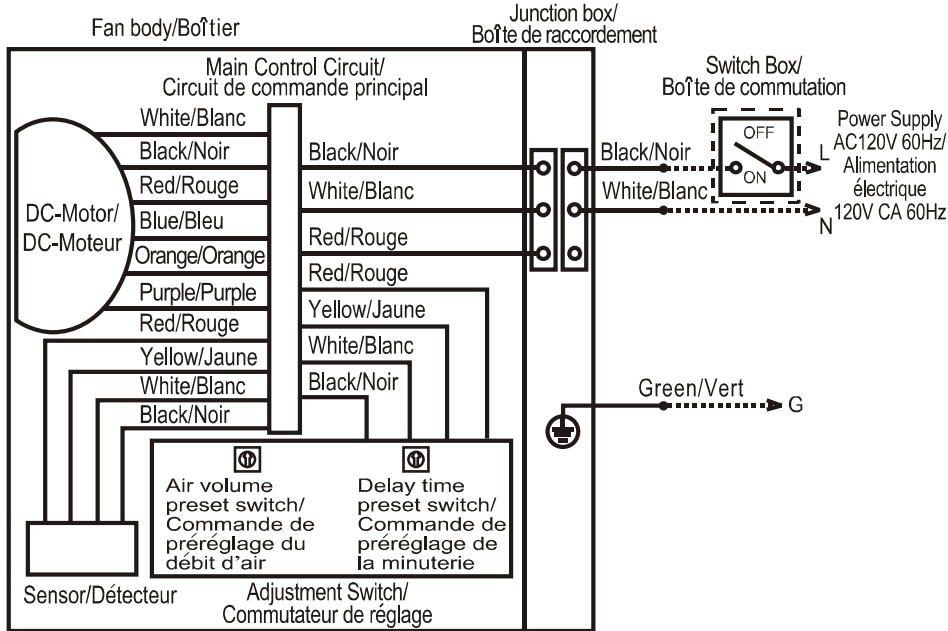
Main Packing Materials

2. Wiring Diagram

FV-08VKM2
FV-08VKS2

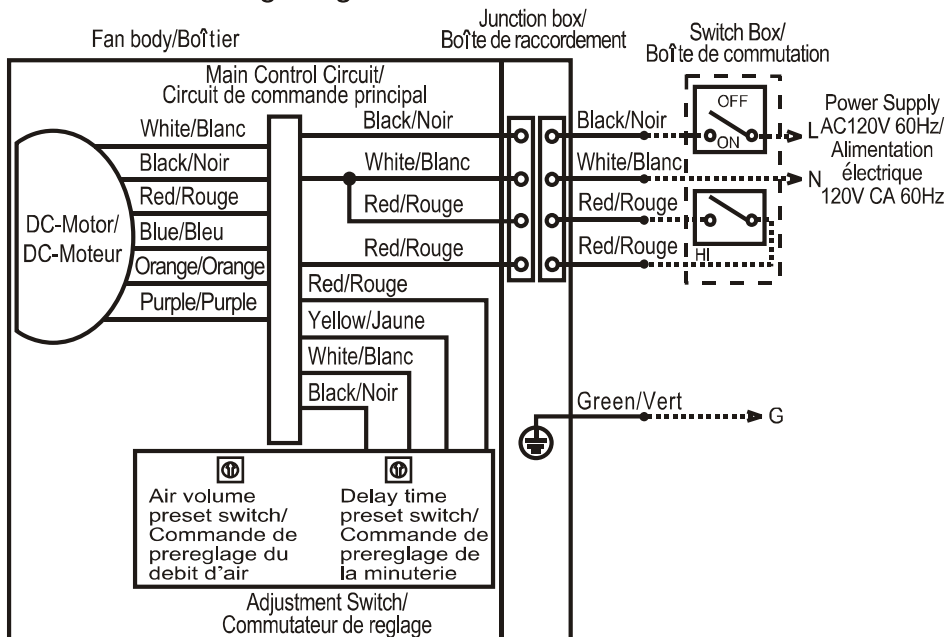
FV-08VKM2

Wiring Diagram/Schéma de connexions







FV-08VKS2

Wiring Diagram/Schéma de connexions



3. Parts List

FV-08VKM2

No.	Part No.	Part Name	Q'ty	Remark
1	FFV1600060S	Frame Assy.	1	
2	FFV0420024S	Bracket Cover	1	
3	FFV5720015S	Scale Tape	1	
4	FFV0000097S	Adapter Assy.	1	
5	FFV3402103S	Earth Wire	1	In Adapter Assy. 
6	FFV0900012S	Connector Plate	1	
7	FFV0880005S	Connector Assy.	1	
8	FFV2800013S	Junction Cover	1	In Adapter Assy.
9	FFV0800001S	Casing Support	3	
10	FFV3730056S	Motor Unit	1	DC Motor,Include Motor Lead Wire 
11	FFV3730026S	Motor Support	1	
12	FFV0400088S	Blade	1	
13	FFV4670003S	Blade Fixed Plate	1	For Blade
14	FFV0790025S	Casing	1	
15	FFV4610032S	Packing	1	Stuck on Casing & Motor Support
16	FFV4300096S	Orifice	1	
17	FFV4300080S	Orifice Cover	1	
18	FFV5500023S	Sensor Assy.	1	
19	FFV2520025S	Insulation Plate	1	
20	FFV5560036S	Spring Stopper	1	
21	FFV3400109S	Louver	1	
22	FFV5500018S	Sensor Cover	1	
23	FFV3400066S	Louver Assy.	1	
24	FFV4020556S	Name Plate	1	
25	FFV1320001S	ESP Mark	1	
26	FFV0810010S	Caution Label	1	
27	FFV2260003S	Holograph Label	1	
28	FFV2260002S	HVI Mark	1	
29	FFV5530059S	Switch Indication Label	1	
30	FFV6730030S	Wiring Label	1	
31	FFV5710018S	Suspension Bracket II	1	Attachment
32	FFV5710019S	Suspension Bracket I	1	Attachment
33	FFV5710017S	Suspension Bracket III	1	Attachment
34	FFV2540088S	Installation Instruction	1	English,For USA/CA Market
35	FFV0010076S	Accessory A	1	Included Installation Screws
36	FFV2540089S	Installation Instruction	1	French,For CA Market
(36)	FFV2540090S	Installation Instruction	1	Spanish,For USA Market




3. Parts List

FV-08VKM2

No.	Part No.	Part Name	Q'ty	Remark
37	FFV6720003S	Warranty Sheet(USA)	1	For USA Market
(37)	FFV6720002S	Warranty Sheet(CA)	1	For CA Market
38	FFV4710257S	Cover Pad	1	
39	FFV4710210S	Grille Pad Assy.	1	For Grille Assy. Packing
40	FFV4710203S	Left Pad	1	Mark With"L"
41	FFV4710204S	Right Pad	1	Mark With"R"
42	FFV9000781S	Packing Case Assy.	1	
43	FFV0930012S	Circuit Assy.	1	⚠
44	FFV2530003S	Band	1	For Fixing Motor Lead Wire
45	FFV0740007H	Cord Clip	1	
46	FFV5560017S	Spring	2	
47	FFV5530060S	Switch Knob	2	
48	FFV4710292S	Pad A	2	
49	FFV6730039S	Notice Label	1	
A	FFV7000018S	Truss Tap Screw	4	For Fixing Bracket Cover to Frame Assy.
B	FFV7000064S	Bind Screw	3	For Fixing Casing Support to Frame Assy.
C	FFV7000109S	Motor Screw	4	For Fixing Motor Unit to Motor Support
D	FFV7040005S	Thumb Screw	1	In Accessory A
E	FFV7010002S	P.R Washer	1	
F	FFV7010028S	Spring Washer	1	
G	FFV7000006S	Earth Screw	1	In Adapter Assy.,For Fixing Earth Wire ⚠
H	FFV7000091S	Pan Screw	2	In Adapter Assy.,For Fixing Junction Cover & Connector Plate
I	FFV7000106S	Truss Screw	11	
J	FFV7010025S	Plain Washer	1	For Blade
K	FFV7010026S	Spring Washer	1	For Blade
L	FFV7020016S	Domed Cap Nut	1	For Blade
M	FFV7000065S	Bind Screw	3	For Fixing Casing to Casing Support
N	FFV7000140S	Pan Tap Screw	2	
O	FFV7000097S	Truss Tap Screw	3	

3. Parts List

FV-08VKS2

No.	Part No.	Part Name	Q'ty	Remark
1	FFV1600060S	Frame Assy.	1	
2	FFV0420024S	Bracket Cover	1	
3	FFV5720015S	Scale Tape	1	
4	FFV0000098S	Adapter Assy.	1	
5	FFV3402103S	Earth Wire	1	In Adapter Assy. 
6	FFV0900028S	Connector Plate	1	
7	FFV0880007S	Connector Assy.	1	
8	FFV2800013S	Junction Cover	1	In Adapter Assy.
9	FFV0800001S	Casing Support	3	
10	FFV3730056S	Motor Unit	1	DC Motor,Include Motor Lead Wire 
11	FFV3730026S	Motor Support	1	
12	FFV0400088S	Blade	1	
13	FFV4670003S	Blade Fixed Plate	1	For Blade
14	FFV0790025S	Casing	1	
15	FFV4610032S	Packing	1	Stuck on Casing & Motor Support
16	FFV4300096S	Orifice	1	
17	FFV4300080S	Orifice Cover	1	
18	FFV5560037S	Spring Stopper	1	
19	FFV3400085S	Louver	1	
20	FFV5560017S	Spring	2	
21	FFV3400035S	Louver Assy.	1	
22	FFV4020557S	Name Plate	1	
23	FFV1320001S	ESP Mark	1	
24	FFV0810010S	Caution Label	1	
25	FFV2260003S	Holograph Label	1	
26	FFV2260002S	HVI Mark	1	
27	FFV5530059S	Switch Indication Label	1	
28	FFV6730031S	Wiring Label	1	
29	FFV5710018S	Suspension Bracket II	1	Attachment
30	FFV5710019S	Suspension Bracket I	1	Attachment
31	FFV5710017S	Suspension Bracket III	1	Attachment
32	FFV2540088S	Installation Instruction	1	English,For USA/CA Market
33	FFV0010076S	Accessory A	1	Included Installation Screws
34	FFV2540089S	Installation Instruction	1	French,For CA Market
(34)	FFV2540090S	Installation Instruction	1	Spanish,For USA Market
35	FFV6720003S	Warranty Sheet(USA)	1	For USA Market
(35)	FFV6720002S	Warranty Sheet(CA)	1	For CA Market

3. Parts List

FV-08VKS2

No.	Part No.	Part Name	Q'ty	Remark
36	FFV4710210S	Grille Pad Assy.	1	For Grille Assy. Packing
37	FFV4710203S	Left Pad	1	Mark With"L"
38	FFV4710204S	Right Pad	1	Mark With"R"
39	FFV9000782S	Packing Case Assy.	1	
40	FFV0930013S	Circuit Assy.	1	⚠
41	FFV2530003S	Band	1	
42	FFV0740007H	Cord Clip	1	
43	FFV5530060S	Switch Knob	2	
44	FFV4710292S	Pad A	2	
45	FFV6730039S	Notice Label	1	
A	FFV7000018S	Truss Tap Screw	4	For Fixing Bracket Cover to Frame Assy.
B	FFV7000064S	Bind Screw	3	For Fixing Casing Support to Frame Assy.
C	FFV7000109S	Motor Screw	4	For Fixing Motor Unit to Motor Support
D	FFV7040005S	Thumb Screw	1	In Accessory A
E	FFV7010002S	P.R Washer	1	
F	FFV7010028S	Spring Washer	1	
G	FFV7000006S	Earth Screw	1	In Adapter Assy.,For Fixing Earth Wire ⚠
H	FFV7000091S	Pan Screw	2	In Adapter Assy.,For Fixing Junction Cover & Connector Plate
I	FFV7000106S	Truss Screw	11	
J	FFV7010025S	Plain Washer	1	For Blade
K	FFV7010026S	Spring Washer	1	For Blade
L	FFV7020016S	Domed Cap Nut	1	For Blade
M	FFV7000065S	Bind Screw	3	For Fixing Casing to Casing Support
N	FFV7000140S	Pan Tap Screw	2	
O	FFV7000097S	Truss Tap Screw	3	

Free Manuals Download Website

<http://myh66.com>

<http://usermanuals.us>

<http://www.somanuals.com>

<http://www.4manuals.cc>

<http://www.manual-lib.com>

<http://www.404manual.com>

<http://www.luxmanual.com>

<http://aubethermostatmanual.com>

Golf course search by state

<http://golfingnear.com>

Email search by domain

<http://emailbydomain.com>

Auto manuals search

<http://auto.somanuals.com>

TV manuals search

<http://tv.somanuals.com>