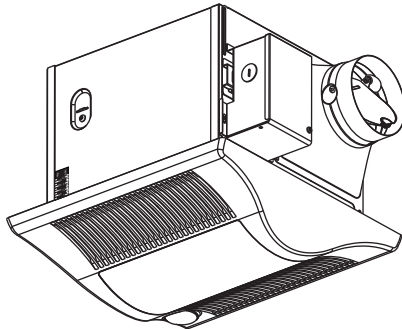
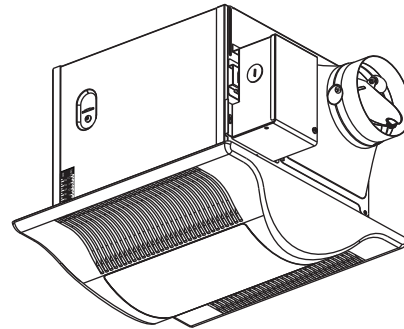


# Service Manual

Super Quiet Ventilating Fan/Light Combination  
**Whisper Green-Lite™**  
(North American Market)



FV-08VKML2



FV-08VKSL2

## SPECIFICATIONS

Model No.	Air direction	Voltage (V)	Frequency (Hz)	Duct diameter (inches)	Noise (sones)	Power consumption(W)			Speed (rpm)	Air deliver at 0.1"WG (CFM)	Weight lb.(kg)
						Fan body	Lighting unit				
							Fluorescent lamp	Night lamp			
FV-08VKML2	Exhaust	120	60	4	0.3	12.6	18X2	4	807	80	16.5(7.5)
FV-08VKSL2	Exhaust	120	60	4	0.3	12.6	18X2	4	807	80	16.3(7.4)

HVI Certified performance based on HVI Procedures 915,916,and 920

### ! WARNING

This service information is designed for experienced repair technicians only and is not designed for use by the general public. It does not contain warnings or cautions to advise non-technical individuals of potential dangers in attempting to service a product. Products powered by electricity should be serviced or repaired only by experienced professional technicians. Any attempt to service or repair the product or products dealt with in this service information by anyone else could result in serious injury or death.

### IMPORTANT SAFETY NOTICE

There are special components used in this equipment which are important for safety. These parts are marked by  $\triangle$  in the Schematic Diagrams, Exploded Views and Replacement Parts List. It is essential that these critical parts should be replaced with manufacturer's specified parts to prevent shock, fire or other hazards. Do not modify the original design without permission of manufacture.

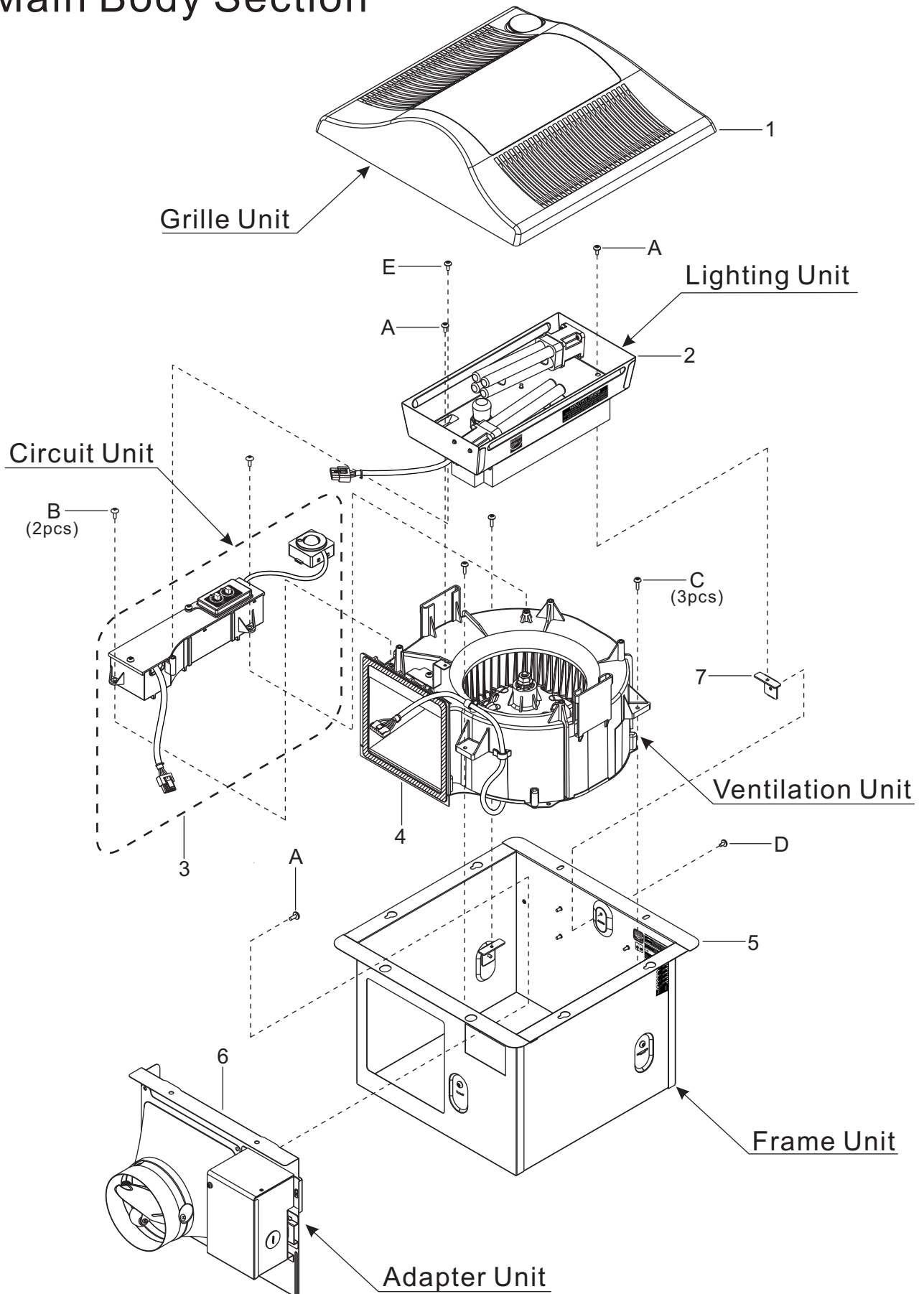
## CONTENTS

	PAGE
1. Parts Identification .....	1~10
2. Wiring Diagram .....	11
3. Parts List .....	12~15

# 1. Parts Identification

FV-08VKML2

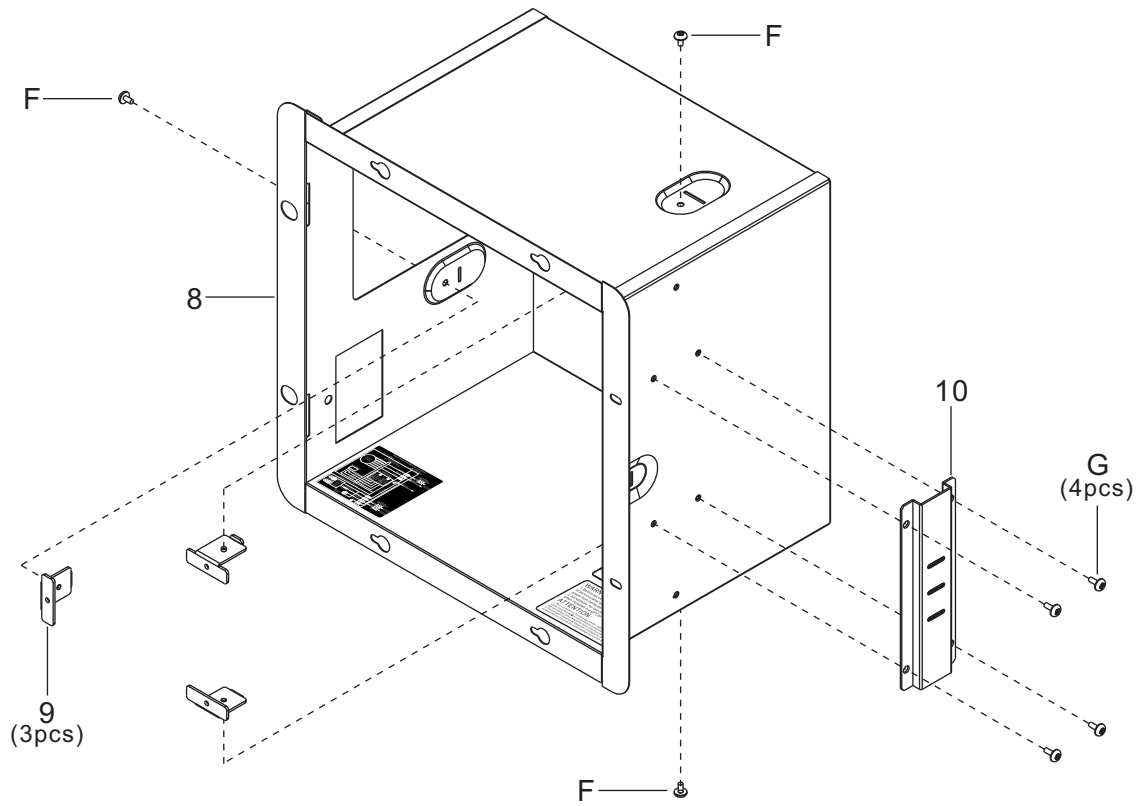
## Main Body Section



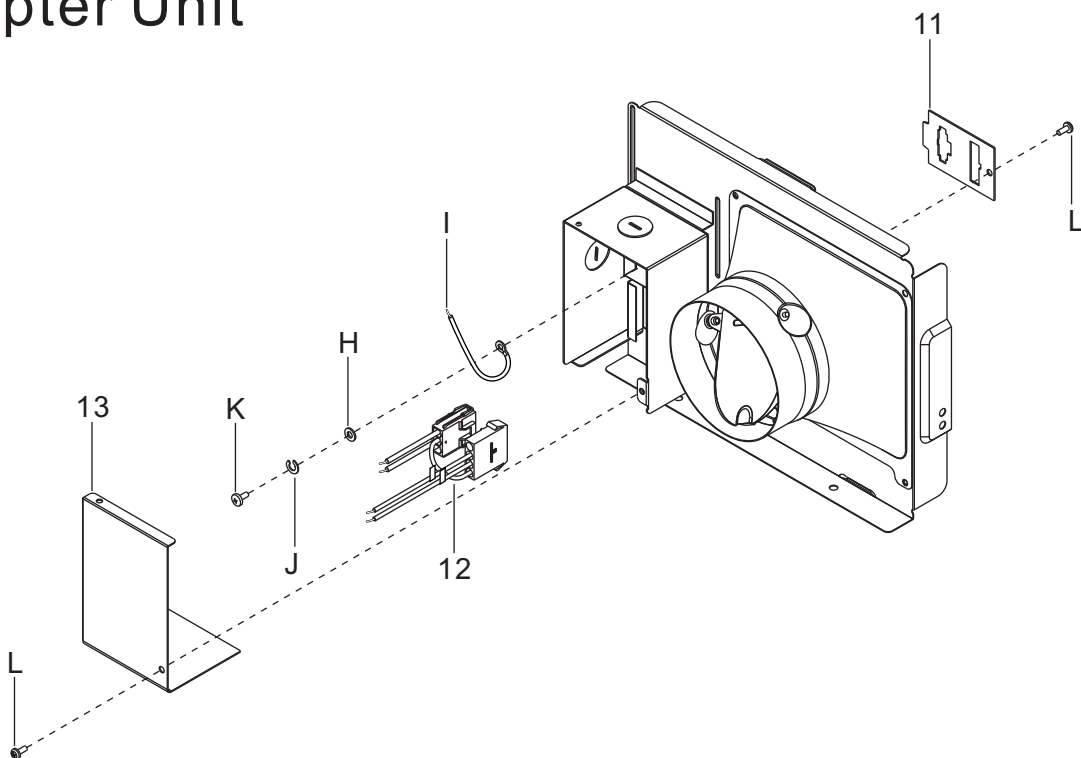
# 1. Parts Identification

FV-08VKML2

## Frame Unit



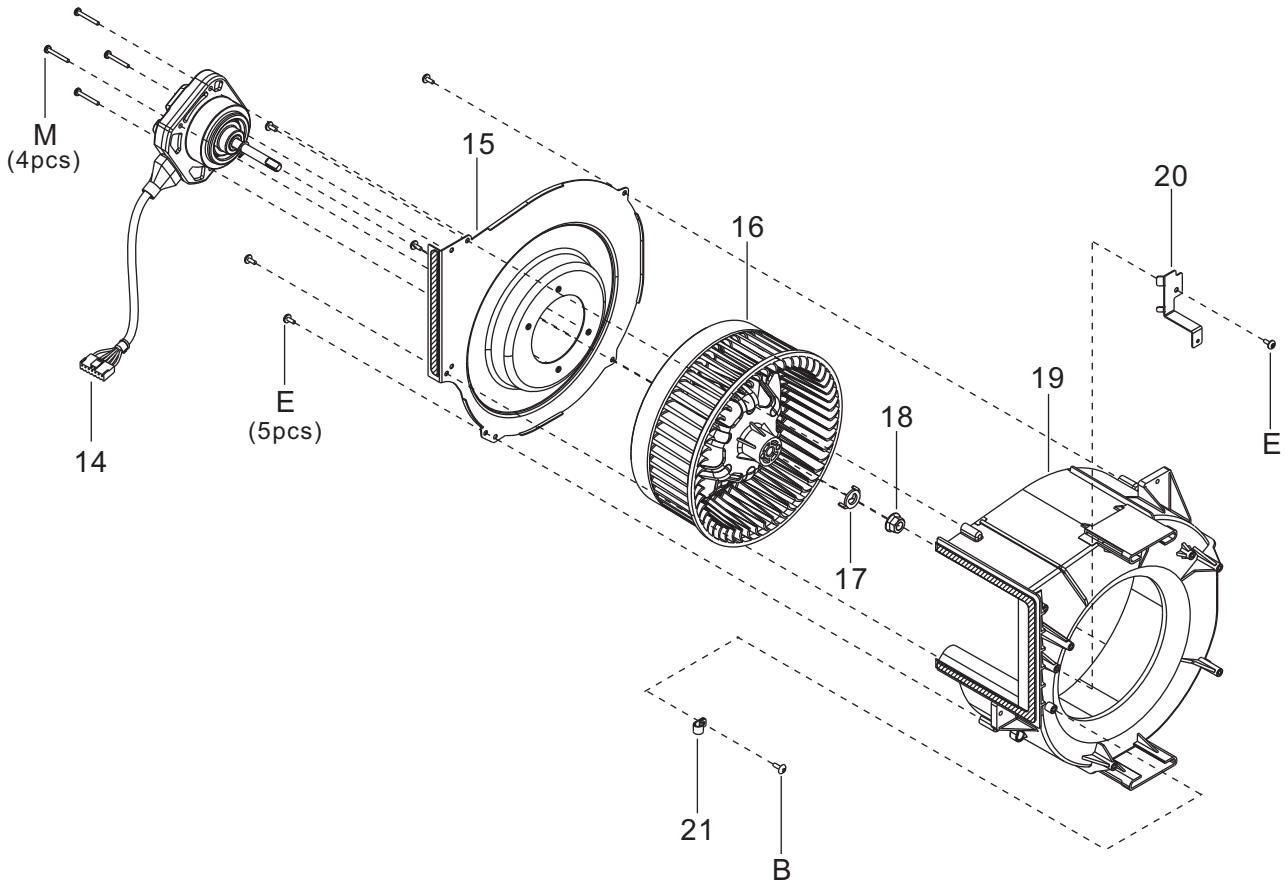
## Adapter Unit



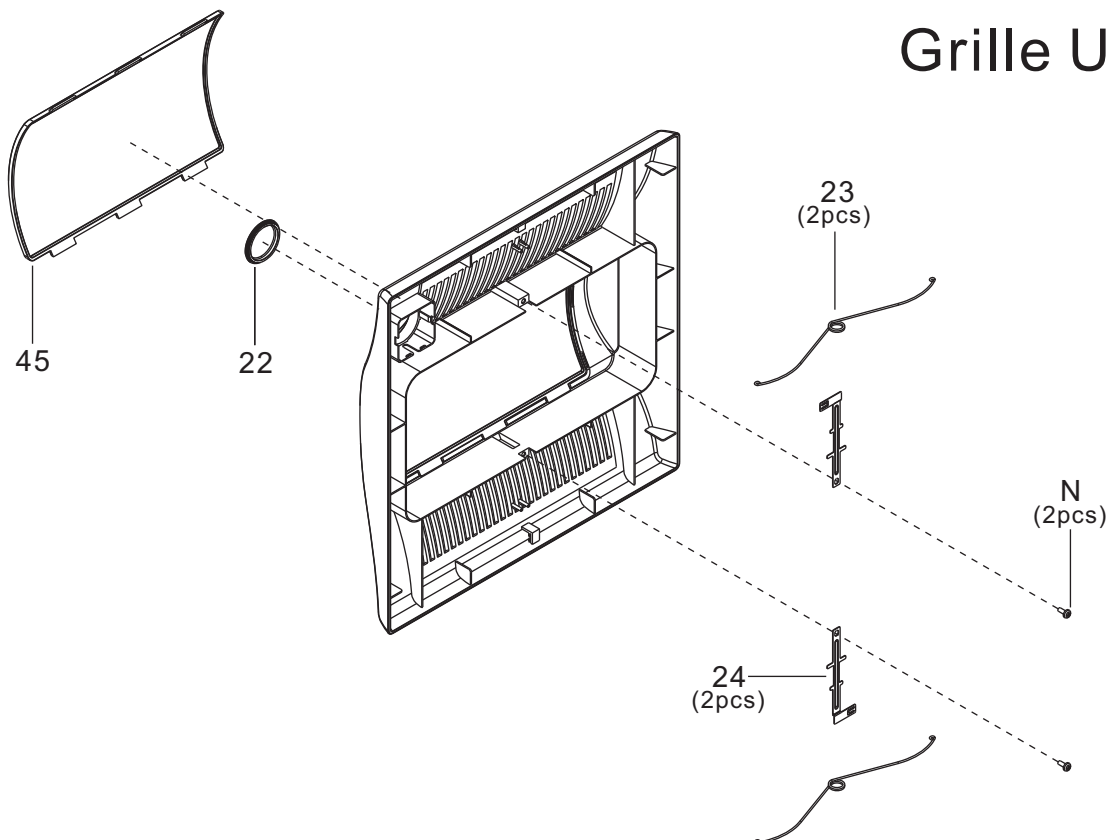
# 1. Parts Identification

FV-08VKML2

## Ventilation Unit



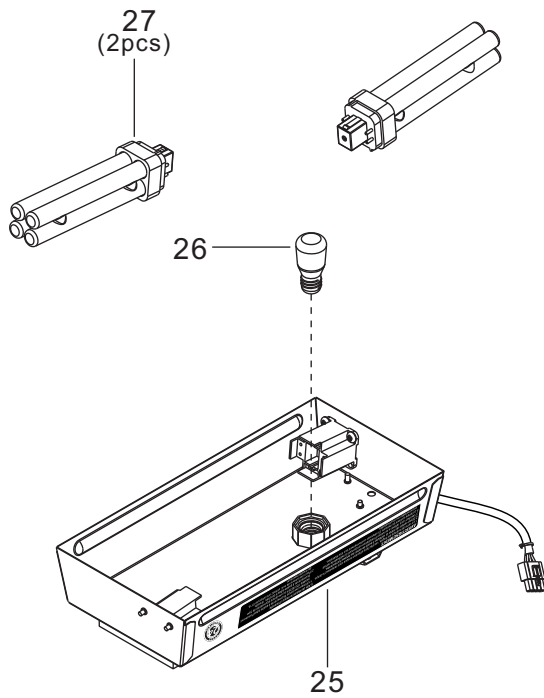
## Grille Unit



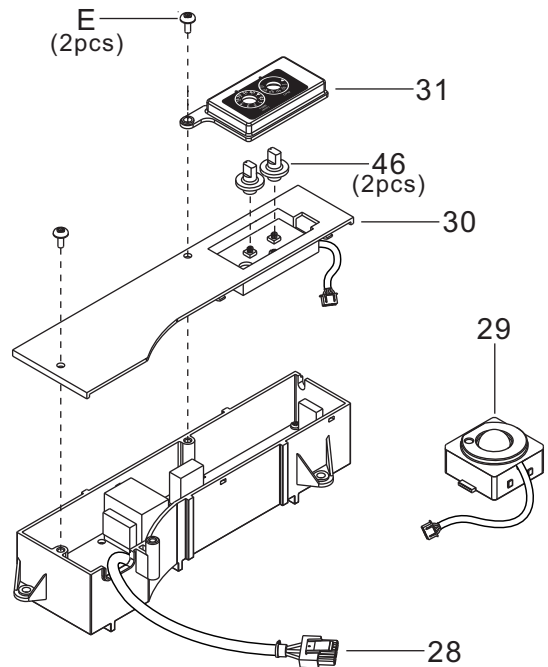
# 1. Parts Identification

FV-08VKML2

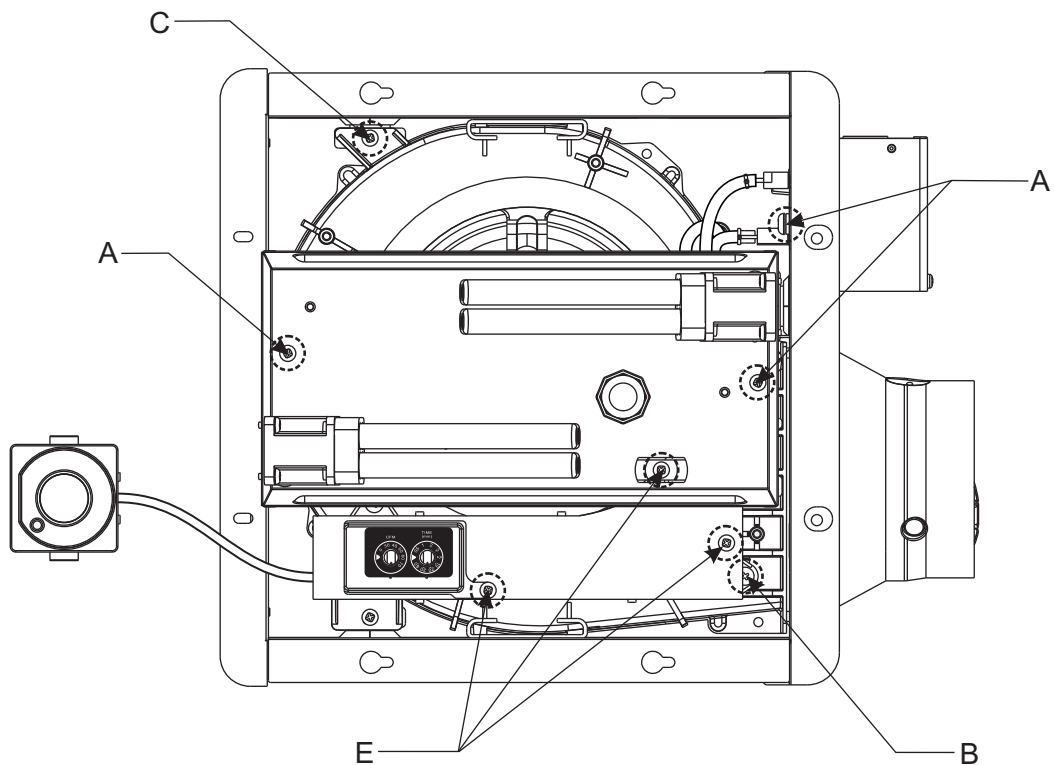
## Lighting Unit



## Circuit Unit



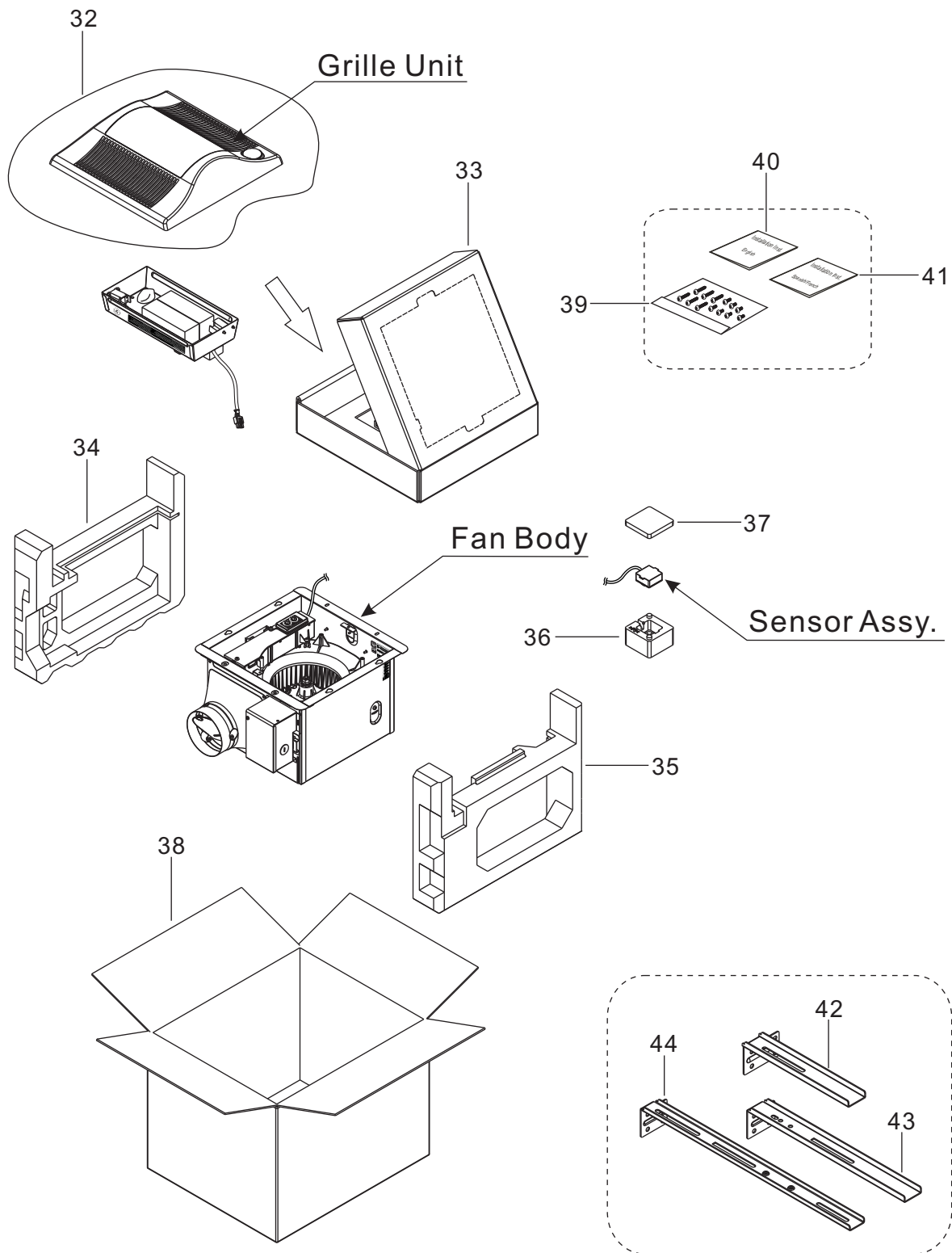
## Assembly State



# 1. Parts Identification

FV-08VKML2

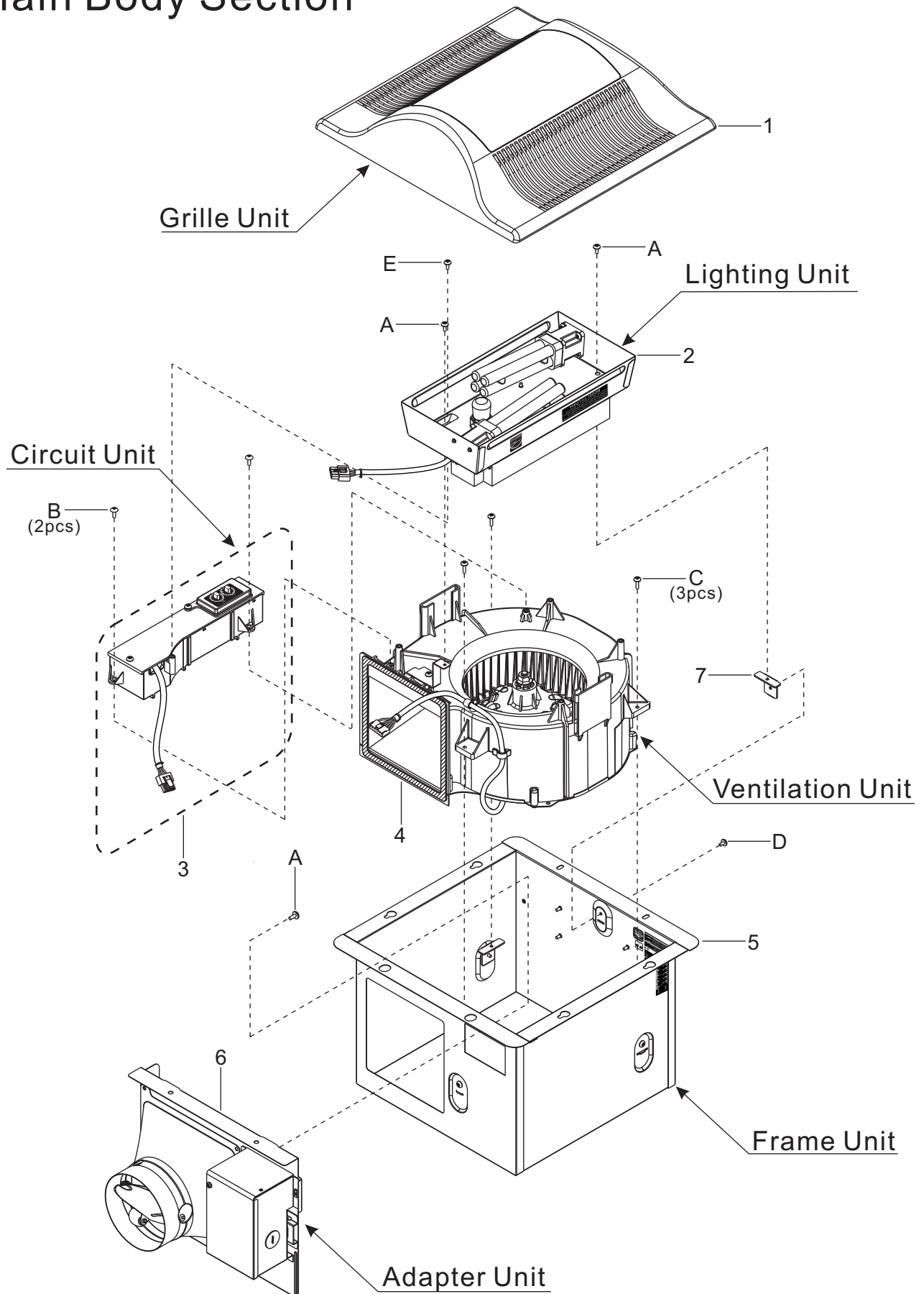
## Packing & Accessories Section



# 1. Parts Identification

FV-08VKSL2

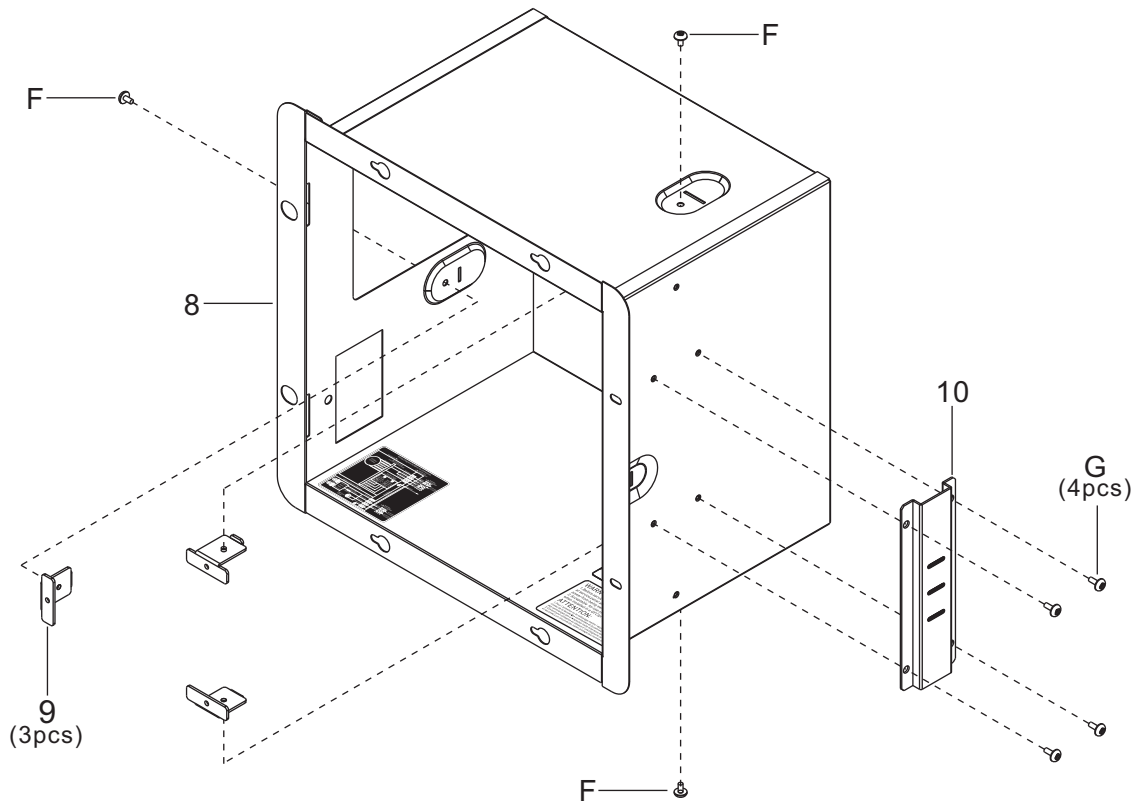
## Main Body Section



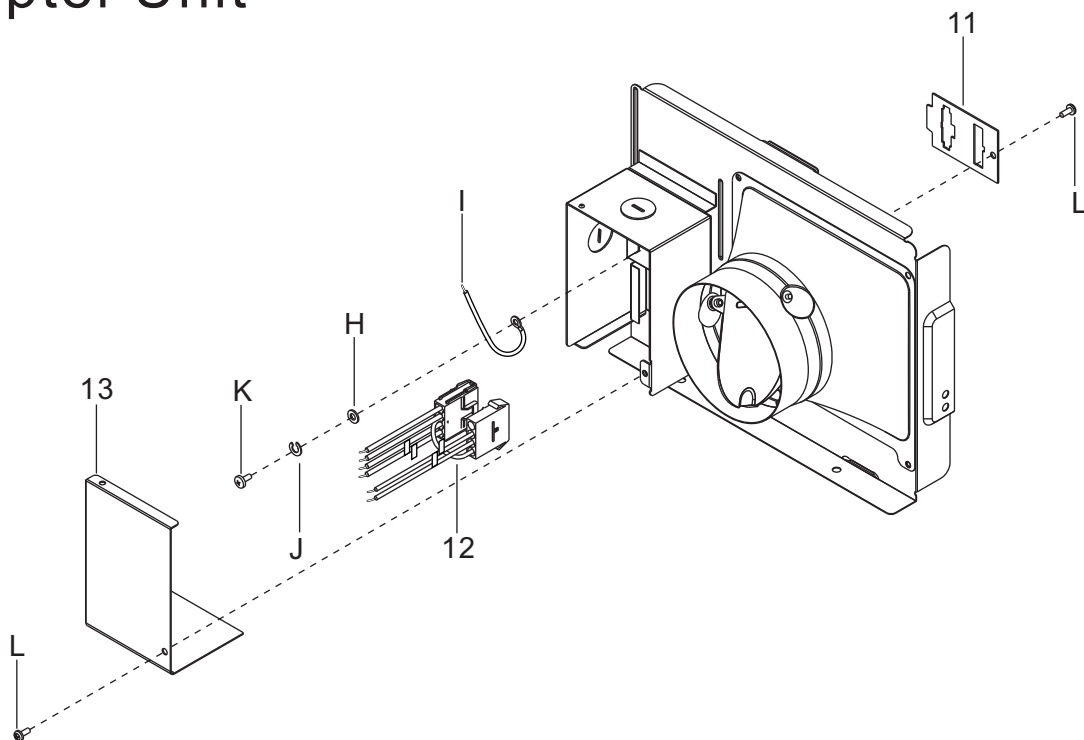
# 1. Parts Identification

FV-08VKSL2

## Frame Unit



## Adapter Unit

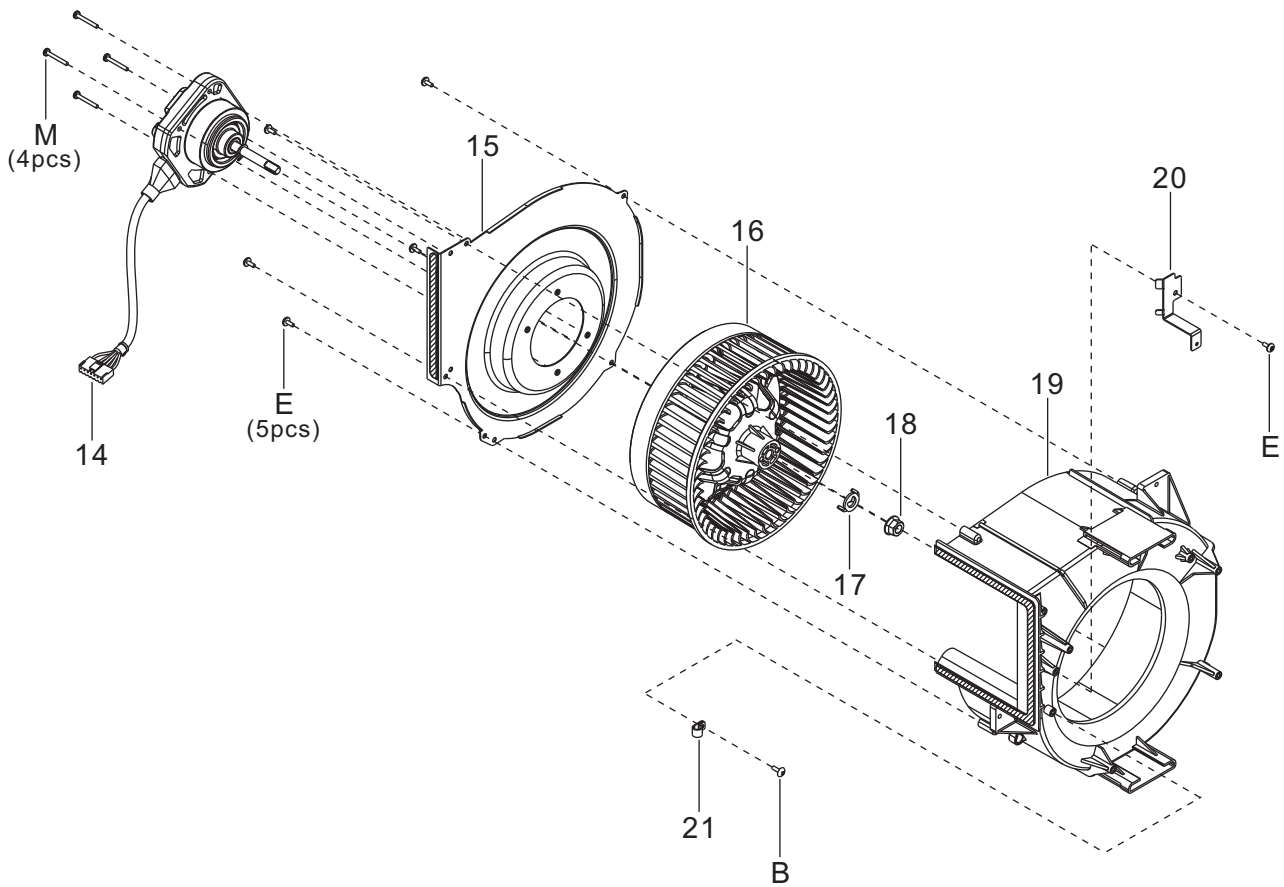




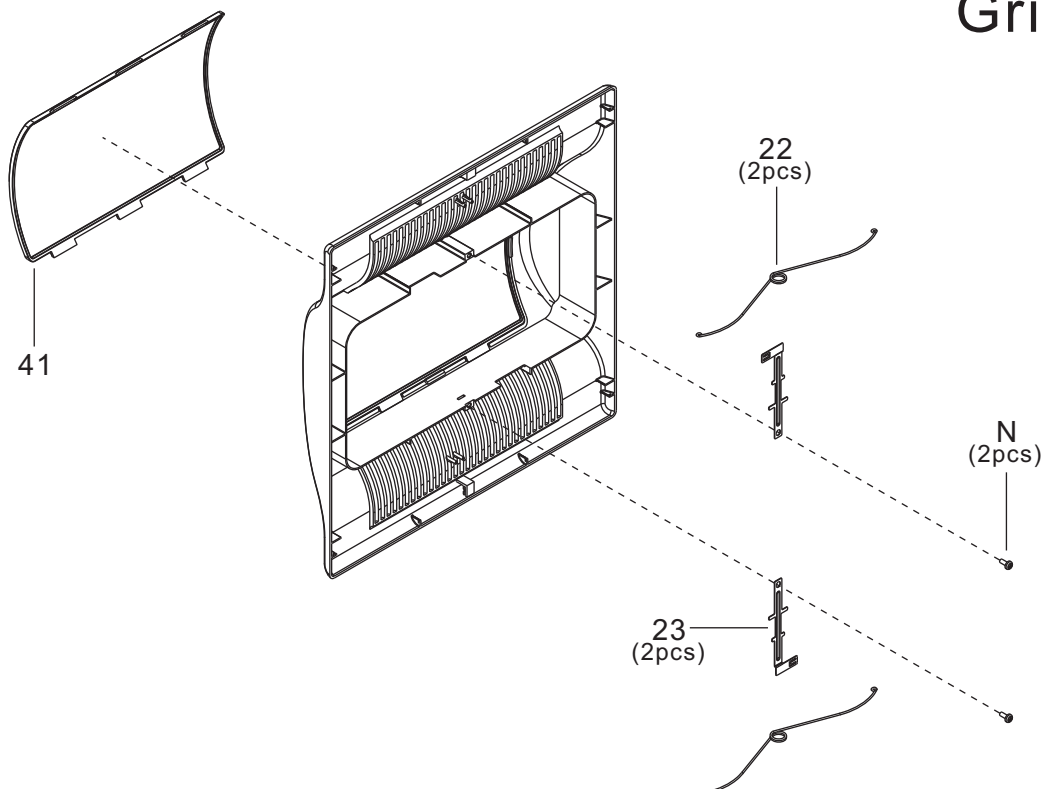
# 1. Parts Identification

FV-08VKSL2

## Ventilation Unit



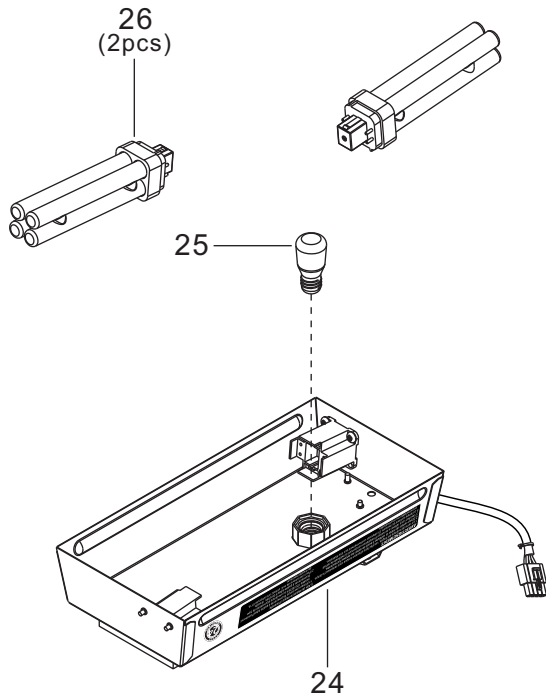
## Grille Unit



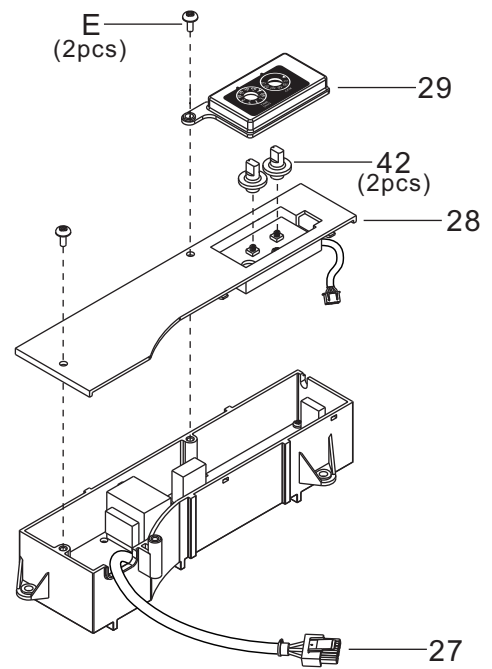
# 1. Parts Identification

FV-08VKSL2

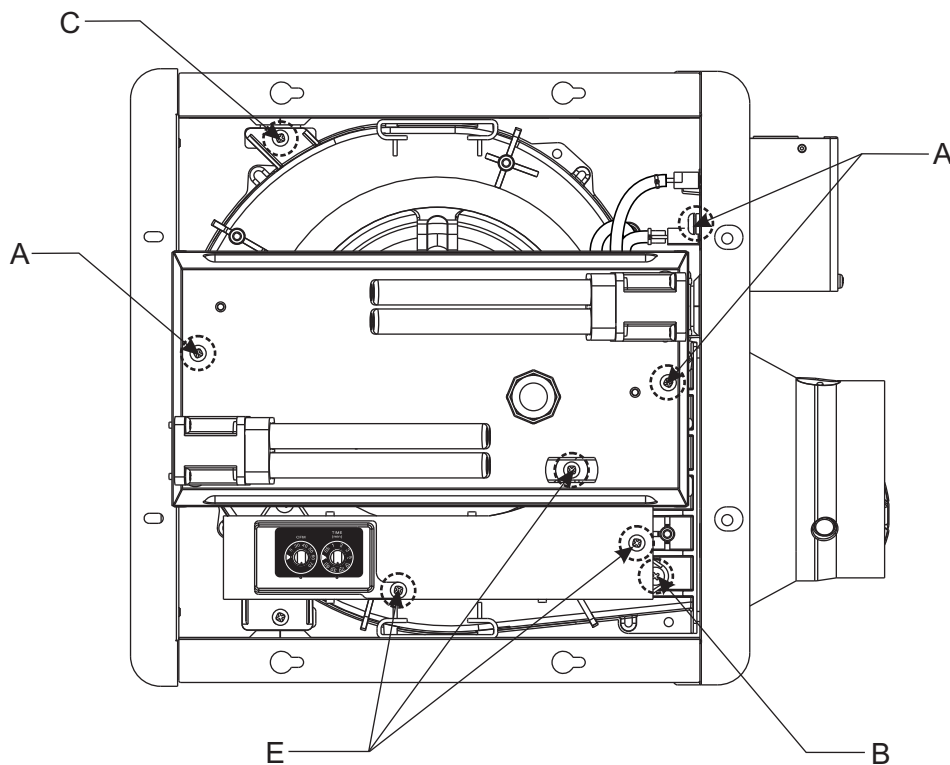
## Lighting Unit



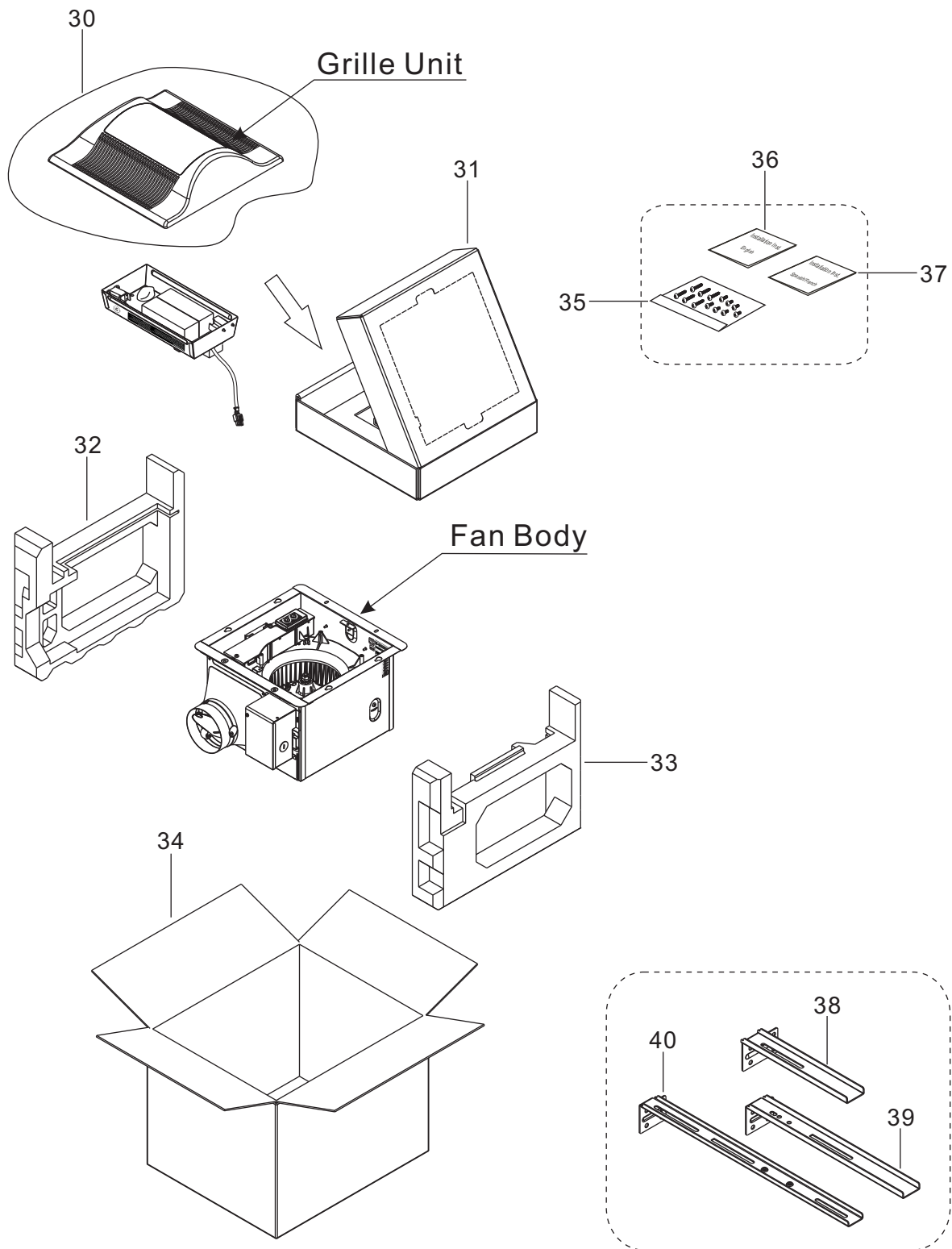
## Circuit Unit



## Assembly State

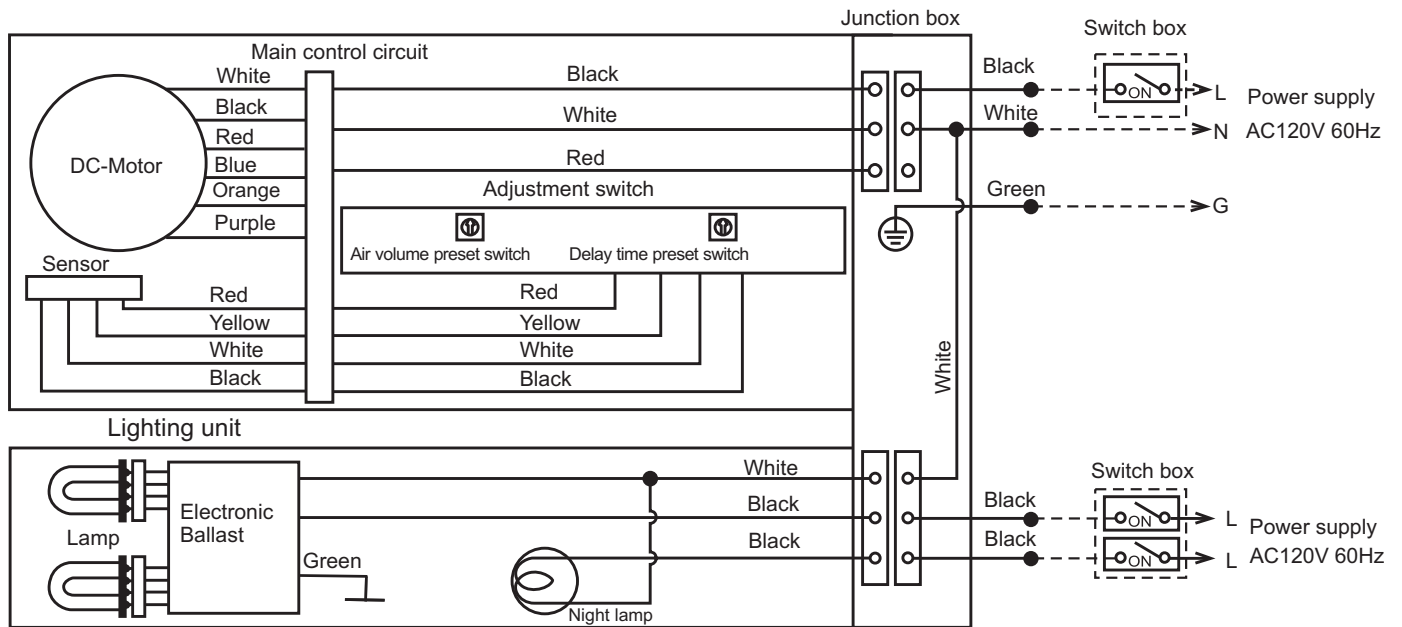


## Packing & Accessories Section



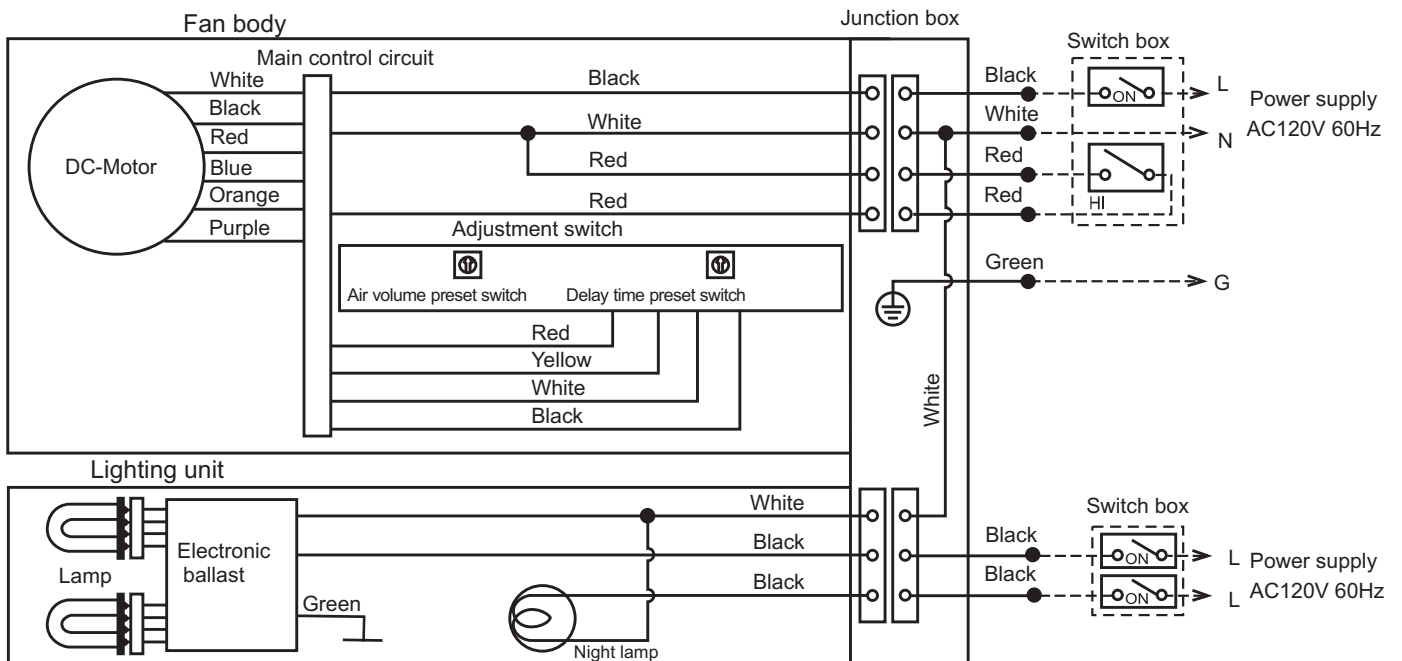
## 2. Wiring Diagram

FV-08VKML2



## 2. Wiring Diagram

FV-08VKSL2



### 3. Parts List

FV-08VKML2

#### Main Body Section

No.	Part No.	Part Name	Q'ty	Remark
1	FFV3400117S	Grille Unit	1	
2	FFV3420023S	Lighting Unit	1	⚠
3	FFV0930016S	Circuit Unit	1	⚠
4	FFV6400005S	Ventilation Unit	1	⚠
5	FFV1600105S	Frame Unit	1	
6	FFV0000084S	Adapter Unit	1	
7	FFV0800001S	Casing Support	1	
A	FFV7000011S	Machine Screw	3	For Fixing Lighting Unit & Adapter Unit,Included In Accessory A
B	FFV7000097S	Truss Screw	2	For Fixing Circuit Unit
C	FFV7000065S	Bind Screw	3	For Fixing Ventilation Unit
D	FFV7000108S	Truss Tapping Screw	1	For Fixing Casing Support
E	FFV7000063S	Truss PC Screw	1	For Fixing Lighting Unit,Included In Accessory A

#### Frame Unit

No.	Part No.	Part Name	Q'ty	Remark
8	FFV1600106S	Frame Assy.	1	
9	FFV0800001S	Casing Support	3	
10	FFV0420024S	Bracket Cover	1	
F	FFV7000064S	Bind Screw	3	For Fixing Casing Support
G	FFV7000018S	Truss Tap Screw	4	For Fixing Bracket Cover

#### Adapter Unit

No.	Part No.	Part Name	Q'ty	Remark
11	FFV0900040S	Connector Plate	1	
12	FFV0900041S	Connector Assy.	1	⚠
13	FFV2800012S	Junction Box Cover	1	
H	FFV7010002S	Plain Washer	1	
I	FFV3402103S	Earth Lead Wire	1	⚠
J	FFV7010028S	Spring Washer	1	
K	FFV7000006S	Bind Screw	1	For Fixing Earth Lead Wire ⚠
L	FFV7000091S	Pan Tap Screw	2	For Fixing Connector Plate & Junction Box Cover

#### Ventilation Unit

No.	Part No.	Part Name	Q'ty	Remark
14	FFV3730056S	Motor Unit	1	⚠
15	FFV3730026S	Motor Support	1	
16	FFV0400088S	Blade	1	
17	FFV4670003S	Blade Set Plate	1	
18	FFV7020021S	Nut	1	
19	FFV0790025S	Casing	1	
20	FFV0420026S	Fix Plate	1	
21	FFV0740007H	Cord Clip	1	
B	FFV7000097S	Truss Screw	1	For Fixing Cord Clip
E	FFV7000063S	Truss PC Screw	6	For Fixing Motor Support & Fix Plate
M	FFV7000109S	Motor Screw	4	For Fixing Motor Unit

### 3. Parts List

FV-08VKML2

#### Grille Unit

No.	Part No.	Part Name	Q'ty	Remark
22	FFV5500021S	Sensor Cover	1	
23	FFV5560017S	Spring	2	
24	FFV5560026S	Spring Set Plate	2	
45	FFV3410018S	Lamp Cover	1	
N	FFV7000055S	Pan Tap Screw	2	For Fixing Spring Set Plate

#### Lighting Unit

No.	Part No.	Part Name	Q'ty	Remark
25	FFV3420024S	Lighting Assy.	1	⚠
26	FFV3420005S	Night Lamp	1	
27	FFV3420007S	Fluorescent Lamp	2	

#### Circuit Unit

No.	Part No.	Part Name	Q'ty	Remark
28	FFV3740012S	Main Circuit Assy.	1	⚠
29	FFV5500027S	Sensor Circuit Assy.	1	⚠
30	FFV5530062S	Switch Circuit Assy.	1	⚠
31	FFV5540020S	Switch Cover	1	
46	FFV5530060S	Switch Knob	2	
E	FFV7000063S	Truss PC Screw	2	

#### Packing & Accessories Section

No.	Part No.	Part Name	Q'ty	Remark
32	FFV4650016S	Poly Cover	1	For Grille Unit Packing
33	FFV4710270S	Grille Packing Case	1	
34	FFV4710208S	Left Pad	1	
35	FFV4710209S	Right Pad	1	
36	FFV4710031S	Pad A	1	For Sensor Circuit Assy. Packing
37	FFV4710032S	Pad B	1	For Sensor Circuit Assy. Packing
38	FFV9000918S	Packing Case Assy.	1	
39	FFV0010199S	Accessory A	1	
40	FFV2540099S	Installation Instruction	1	English,For CA/USA Market
41	FFV2540100S	Installation Instruction	1	French,For CA Market
(41)	FFV2540101S	Installation Instruction	1	Spanish,For USA Market
42	FFV5710019S	Suspension Bracket I	1	
43	FFV5710017S	Suspension Bracket III	1	
44	FFV5710018S	Suspension Bracket II	1	

### 3. Parts List

FV-08VKSL2

#### Main Body Section

No.	Part No.	Part Name	Q'ty	Remark
1	FFV3402114S	Grille Unit	1	
2	FFV3420023S	Lighting Unit	1	⚠
3	FFV0930017S	Circuit Unit	1	⚠
4	FFV6400005S	Ventilation Unit	1	⚠
5	FFV1600107S	Frame Unit	1	
6	FFV0000085S	Adapter Unit	1	
7	FFV0800001S	Casing Support	1	
A	FFV7000011S	Machine Screw	3	For Fixing Lighting Unit & Adapter Unit,Included In Accessory A
B	FFV7000097S	Truss Screw	2	For Fixing Circuit Unit
C	FFV7000065S	Bind Screw	3	For Fixing Ventilation Unit
D	FFV7000108S	Truss Tapping Screw	1	For Fixing Casing Support
E	FFV7000063S	Truss PC Screw	1	For Fixing Lighting Unit,Included In Accessory A

#### Frame Unit

No.	Part No.	Part Name	Q'ty	Remark
8	FFV1600108S	Frame Assy.	1	
9	FFV0800001S	Casing Support	3	
10	FFV0420024S	Bracket Cover	1	
F	FFV7000064S	Bind Screw	3	For Fixing Casing Support
G	FFV7000018S	Truss Tap Screw	4	For Fixing Bracket Cover

#### Adapter Unit

No.	Part No.	Part Name	Q'ty	Remark
11	FFV0900042S	Connector Plate	1	
12	FFV0900043S	Connector Assy.	1	⚠
13	FFV2800012S	Junction Box Cover	1	
H	FFV7010002S	Plain Washer	1	
I	FFV3402103S	Earth Lead Wire	1	⚠
J	FFV7010028S	Spring Washer	1	
K	FFV7000006S	Bind Screw	1	For Fixing Earth Lead Wire ⚠
L	FFV7000091S	Pan Tap Screw	2	For Fixing Connector Plate & Junction Box Cover

#### Ventilation Unit

No.	Part No.	Part Name	Q'ty	Remark
14	FFV3730056S	Motor Unit	1	⚠
15	FFV3730026S	Motor Support	1	
16	FFV0400088S	Blade	1	
17	FFV4670003S	Blade Set Plate	1	
18	FFV7020021S	Nut	1	
19	FFV0790025S	Casing	1	
20	FFV0420026S	Fix Plate	1	
21	FFV0740007H	Cord Clip	1	
B	FFV7000097S	Truss Screw	1	For Fixing Cord Clip
E	FFV7000063S	Truss PC Screw	6	For Fixing Motor Support & Fix Plate
M	FFV7000109S	Motor Screw	4	For Fixing Motor Unit

### 3. Parts List

FV-08VKSL2

#### Grille Unit

No.	Part No.	Part Name	Q'ty	Remark
22	FFV5560017S	Spring	2	
23	FFV5560026S	Spring Set Plate	2	
41	FFV3410018S	Lamp Cover	1	
N	FFV7000055S	Pan Tap Screw	2	For Fixing Spring Set Plate

#### Lighting Unit

No.	Part No.	Part Name	Q'ty	Remark
24	FFV3420024S	Lighting Assy.	1	⚠
25	FFV3420005S	Night Lamp	1	
26	FFV3420007S	Fluorescent Lamp	2	

#### Circuit Unit

No.	Part No.	Part Name	Q'ty	Remark
27	FFV3740013S	Main Circuit Assy.	1	⚠
28	FFV5530062S	Switch Circuit Assy.	1	⚠
29	FFV5540007S	Switch Cover	1	
42	FFV5530060S	Switch Knob	2	
E	FFV7000063S	Truss PC Screw	2	

#### Packing & Accessories Section

No.	Part No.	Part Name	Q'ty	Remark
30	FFV4650016S	Poly Cover	1	For Grille Unit Packing
31	FFV4710270S	Grille Packing Case	1	
32	FFV4710208S	Left Pad	1	
33	FFV4710209S	Right Pad	1	
34	FFV9000919S	Packing Case Assy.	1	
35	FFV0010199S	Accessory A	1	
36	FFV2540099S	Installation Instruction	1	English,For CA/USA Market
37	FFV2540100S	Installation Instruction	1	French,For CA Market
(37)	FFV2540101S	Installation Instruction	1	Spanish,For USA Market
38	FFV5710019S	Suspension Bracket I	1	
39	FFV5710017S	Suspension Bracket III	1	
40	FFV5710018S	Suspension Bracket II	1	



## Free Manuals Download Website

<http://myh66.com>

<http://usermanuals.us>

<http://www.somanuals.com>

<http://www.4manuals.cc>

<http://www.manual-lib.com>

<http://www.404manual.com>

<http://www.luxmanual.com>

<http://aubethermostatmanual.com>

Golf course search by state

<http://golfingnear.com>

Email search by domain

<http://emailbydomain.com>

Auto manuals search

<http://auto.somanuals.com>

TV manuals search

<http://tv.somanuals.com>