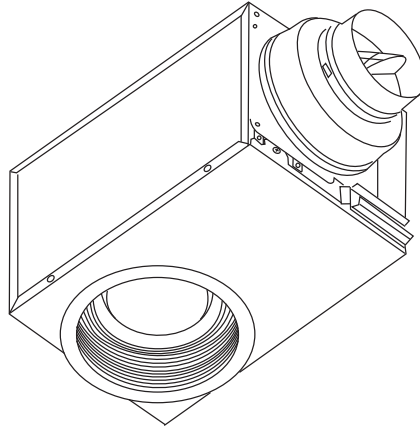


Service Manual

Ventilating Fan
(North America Market)

FV-08VRE1



Model No.	Air direction	Voltage (V)	Frequency (Hz)	Duct diameter (inches)	Noise at 0.1"WG (sones)	Power consumption (W)		Speed at 0.1"WG (rpm)	Air volume at 0.1"WG (CFM)	Weight lb.(kg)
						Fan	Lamp			
FV-08VRE1	Exhaust	120	60	4	0.8	20.5	13.0	1378	80	10.0(4.5)
				6	0.8	20.5	13.0	1378	80	

HVI Certified performance based on HVI Procedures 915, 916 and 920.

⚠ WARNING

This service information is designed for experienced repair technicians only and is not designed for use by the general public. It does not contain warnings or cautions to advise non-technical individuals of potential dangers in attempting to service a product. Products powered by electricity should be serviced or repaired only by experienced professional technicians. Any attempt to service or repair the product or products dealt with in this service information by anyone else could result in serious injury or death.

IMPORTANT SAFETY NOTICE

There are special components used in this equipment which are important for safety. These parts are marked by Δ in the Schematic Diagrams, Exploded Views and Replacement Parts List. It is essential that these critical parts should be replaced with manufacturer's specified parts to prevent shock, fire or other hazards. Do not modify the original design without permission of manufacture. We suggest to handle such parts after the static electricity prevention. It is forbidden to touch the PCB parts by bare hands during the repairing process.

CONTENTS

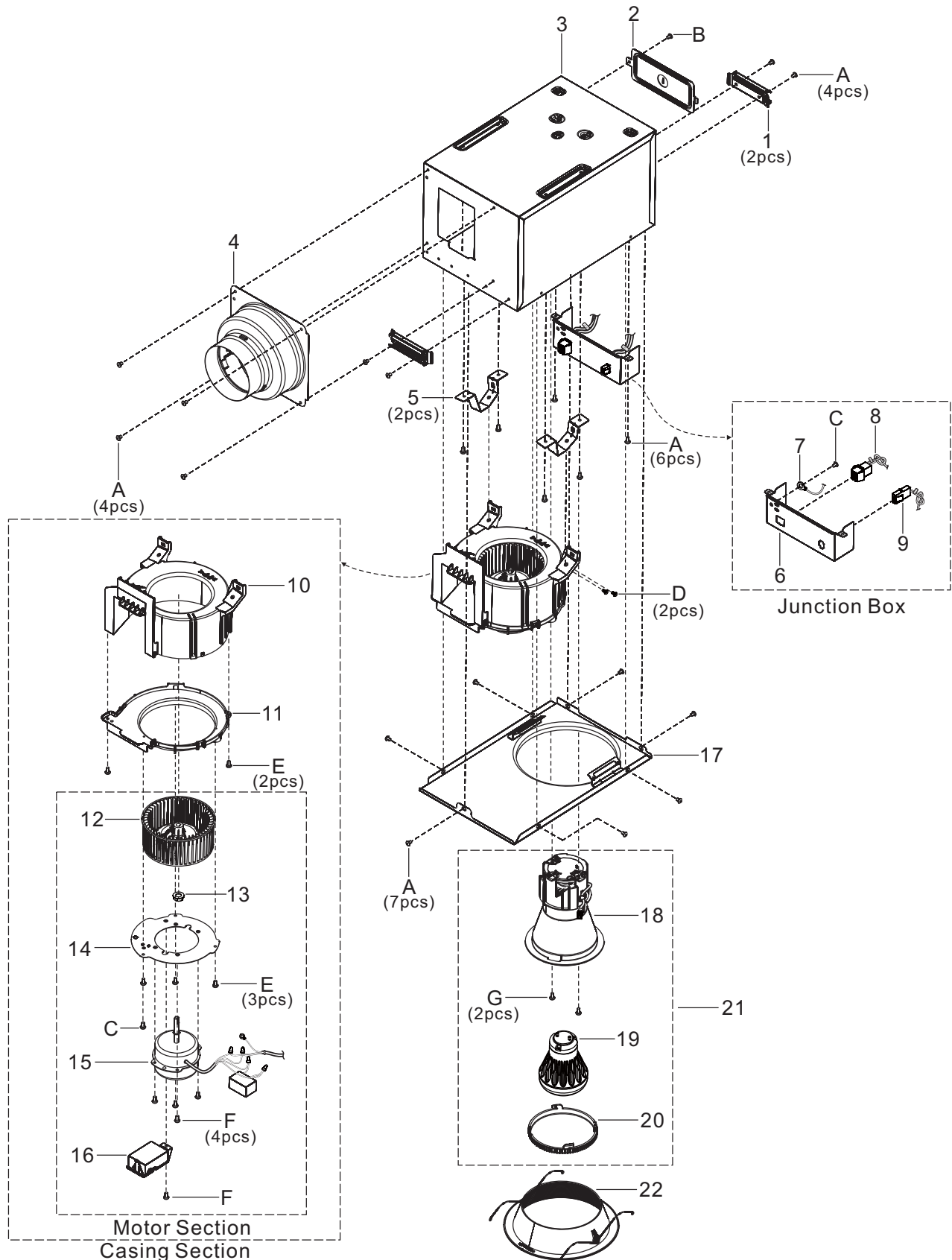
	PAGE
1.Parts Identification-----	1~3
2.Wiring Diagram-----	4
3.Parts List-----	5~6

Panasonic[®]

1. Parts Identification

FV-08VRE1

Main Body Section



1. Parts Identification

FV-08VRE1

Main Labels



23



24



28



29



25



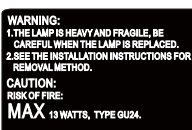
26



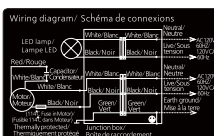
30



31

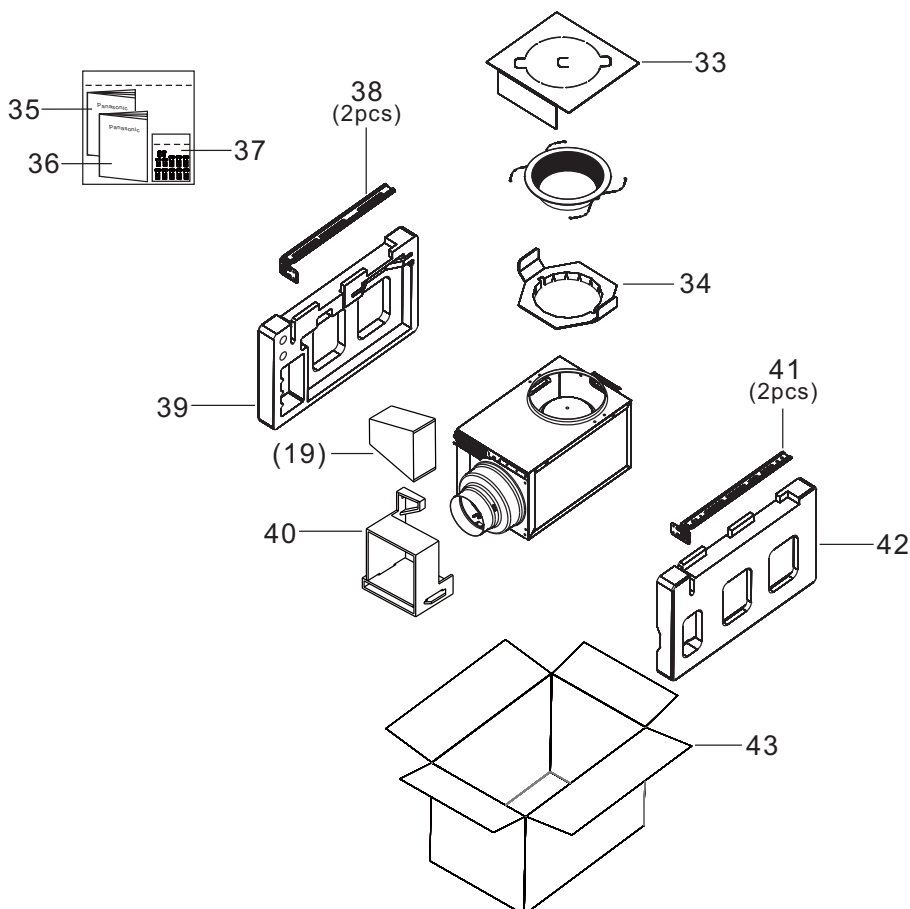


27



32

Packing Section



1. Parts Identification

FV-08VRE1

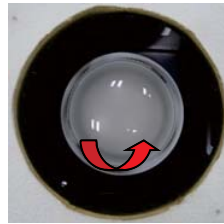
Replace Lamp Method

Step 1.



Remove the trim assembly

Step 2.



Remove the lamp cover

Step 3.



Replace the LED lamp

Replace Motor Unit Method

Step 1.



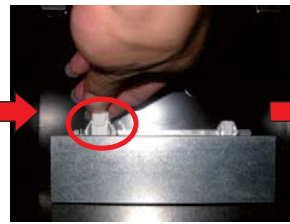
Remove 2pcs screws

Step 2.



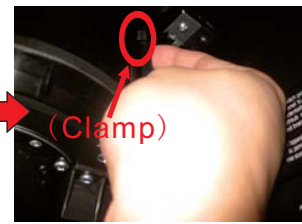
Unplug light unit assembly connector, Then take out the whole assembly

Step 3.



Unplug motor unit connector

Step 4.



Pull out the lead wire from Casing clamp

Step 5.



Remove 2pcs screws

Step 6.



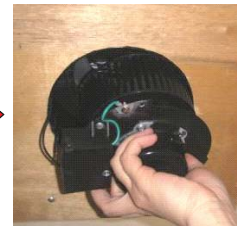
Move the casing section to the hole position

Step 7.



Remove 3pcs screws

Step 8.



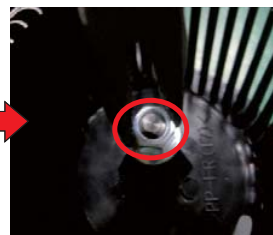
Take out the motor section

Step 9.



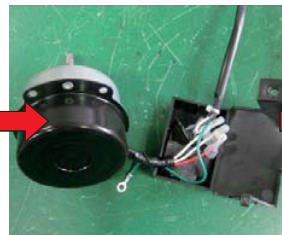
Remove 6pcs screws

Step 10.



Remove the blade fixing nut

Step 11.



Take out the motor unit and condenser box

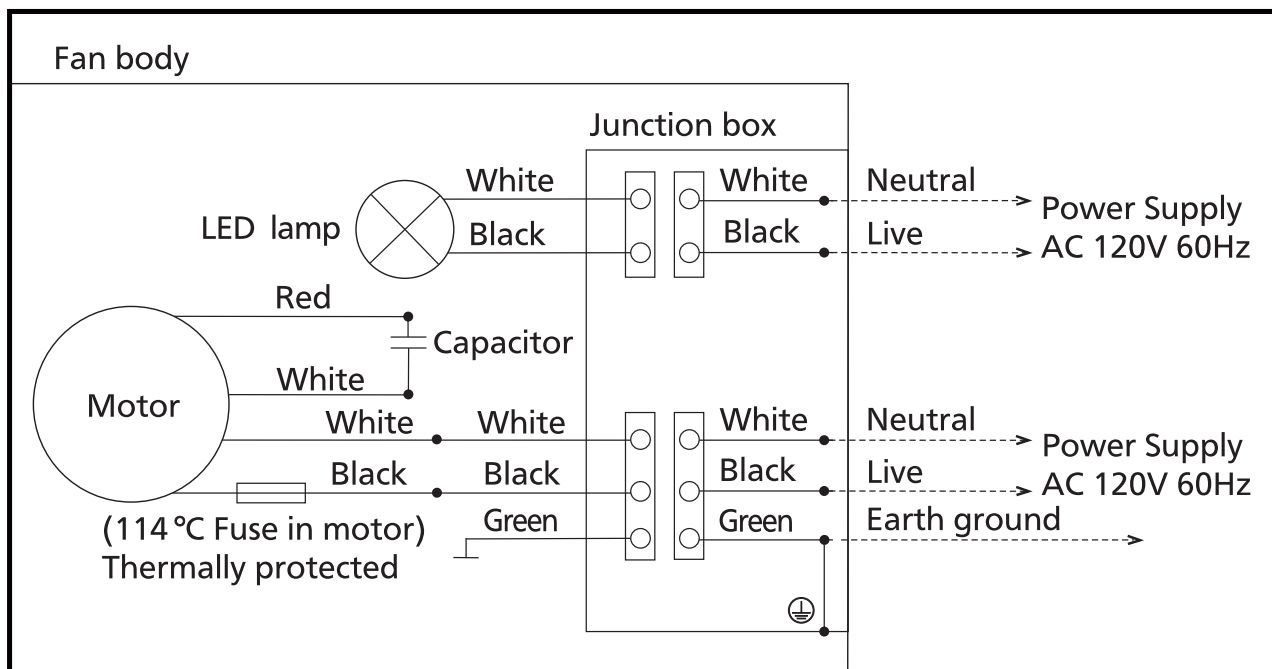
Step 12.



Replace the motor unit

2. Wiring diagram

FV-08VRE1




3. Parts List

FV-08VRE1

No.	Part No.	Part Name	Q'ty	Remark
1	FFV0420027S	Bracket Cover	2	
2	FFV6710026S	Wiring Cover	1	
3	FFV1600116S	Frame Assembly	1	
4	FFV0000125S	Adapter Assembly	1	⚠
5	FFV0800002S	Casing Support	2	
6	FFV2800015S	Junction Box	1	
7	FFV3402103S	Earth Lead Wire	1	⚠
8	FFV0900055S	Connector Assembly V	1	⚠
9	FFV0900056S	Connector Assembly L	1	⚠
10	FFV0790097S	Casing	1	
11	FFV3730091S	Motor Support	1	
12	FFV0400086S	Fan	1	
13	FFV7020021S	Nut	1	
14	FFV3730092S	Motor Set Plate	1	
15	FFV3730093S	Motor Unit	1	⚠
16	FFV0760050S	Condenser Box	1	
17	FFV1600117S	Frame Cover Assembly	1	
18	FFV3410039S	Light Unit Assembly	1	⚠
19	FFV3410040S	LED Lamp	1	⚠
20	FFV3410036S	Lamp Cover	1	
21	FFV3410041S	Light Section	1	⚠
22	FFV5840030S	Trim Assembly	1	Not Include 2pcs Bind Tap Screw ⚠
23	FFV4020817S	Name Plate	1	
24	FFV1320001S	ESP Mark	1	
25	FFV6730041S	Warning Label	1	
26	FFV2260003S	UL Mark	1	
27	FFV6730082S	Warning Label	1	
28	FFV2260002S	HVI Mark	1	
29	FFV0810002S	Caution Label	1	
30	FFV4730001S	T24 Mark Label	1	
31	FFV5720015S	Scale Tape	1	
32	FFV6730083S	Wiring Label	1	
33	FFV5840031S	Trim Plate Assembly	1	
34	FFV5840032S	Trim Pad 1	1	
35	FFV2540172S	Operation Instructions	1	English,For USA/CA Market
36	FFV2540173S	Operation Instructions	1	Spanish,For USA Market
(36)	FFV2540174S	Operation Instructions	1	French,For CA Market

3. Parts List

FV-08VRE1

No.	Part No.	Part Name	Q'ty	Remark
37	FFV0010236S	Accessory A	1	
38	FFV0420028S	Bracket Assembly 1	1	
39	FFV4710334S	Right Pad	2	
40	FFV9001003S	Packing Pad	1	
41	FFV0420029S	Bracket Assembly 2	1	
42	FFV4710335S	Left Pad	2	
43	FFV9001109S	Packing Case Assembly	1	
A	FFV7000018S	Truss Tap Screw	21	
B	FFV7000108S	Truss Tap Screw	1	
C	FFV7030006S	Bind Screw	2	For Fixing Earth Lead Wire 
D	FFV7000214S	Bind Tap Screw	2	
E	FFV7000073S	Truss Tapping Screw	5	
F	FFV7000079S	Pan Tap Screw	5	
G	FFV7000202S	Bind Tap Screw	2	

Free Manuals Download Website

<http://myh66.com>

<http://usermanuals.us>

<http://www.somanuals.com>

<http://www.4manuals.cc>

<http://www.manual-lib.com>

<http://www.404manual.com>

<http://www.luxmanual.com>

<http://aubethermostatmanual.com>

Golf course search by state

<http://golfingnear.com>

Email search by domain

<http://emailbydomain.com>

Auto manuals search

<http://auto.somanuals.com>

TV manuals search

<http://tv.somanuals.com>