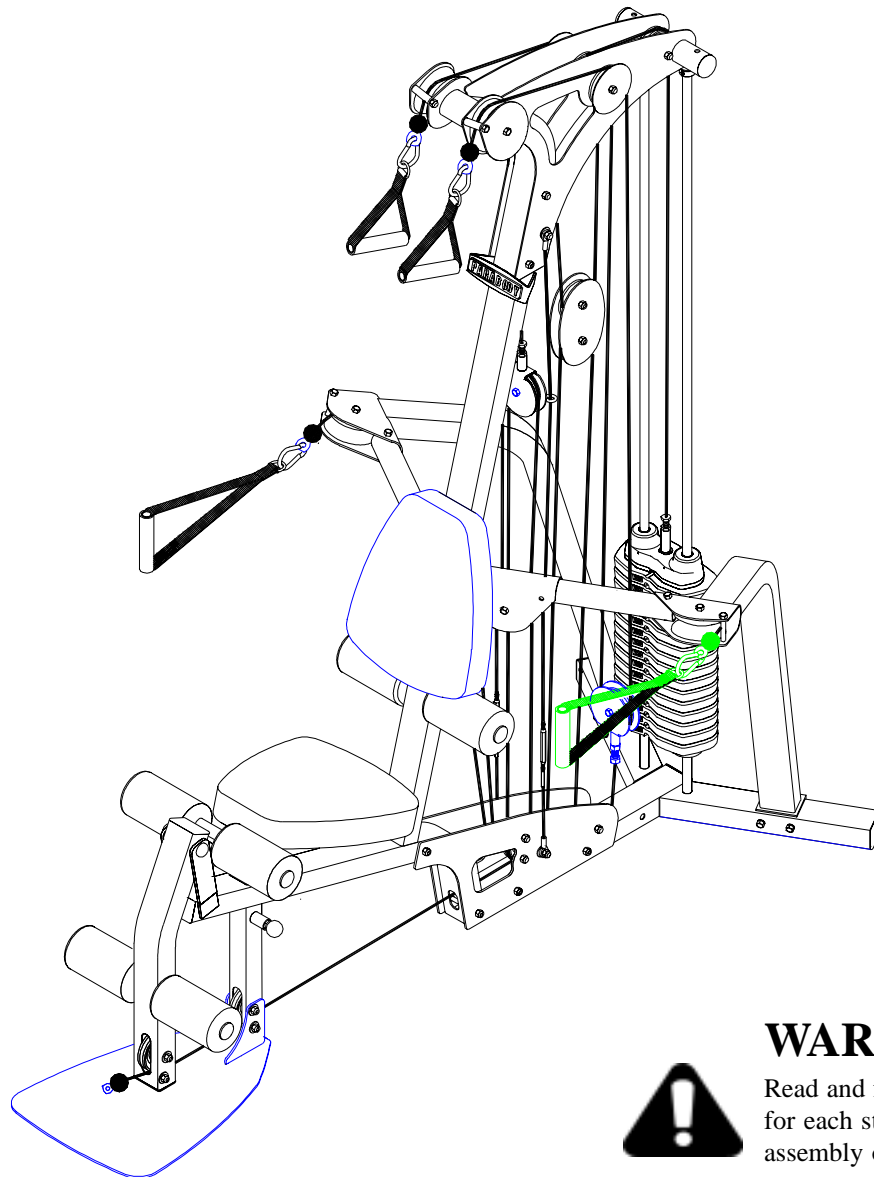


# PARABODY®

## 781 SWIVEL CABLE KIT



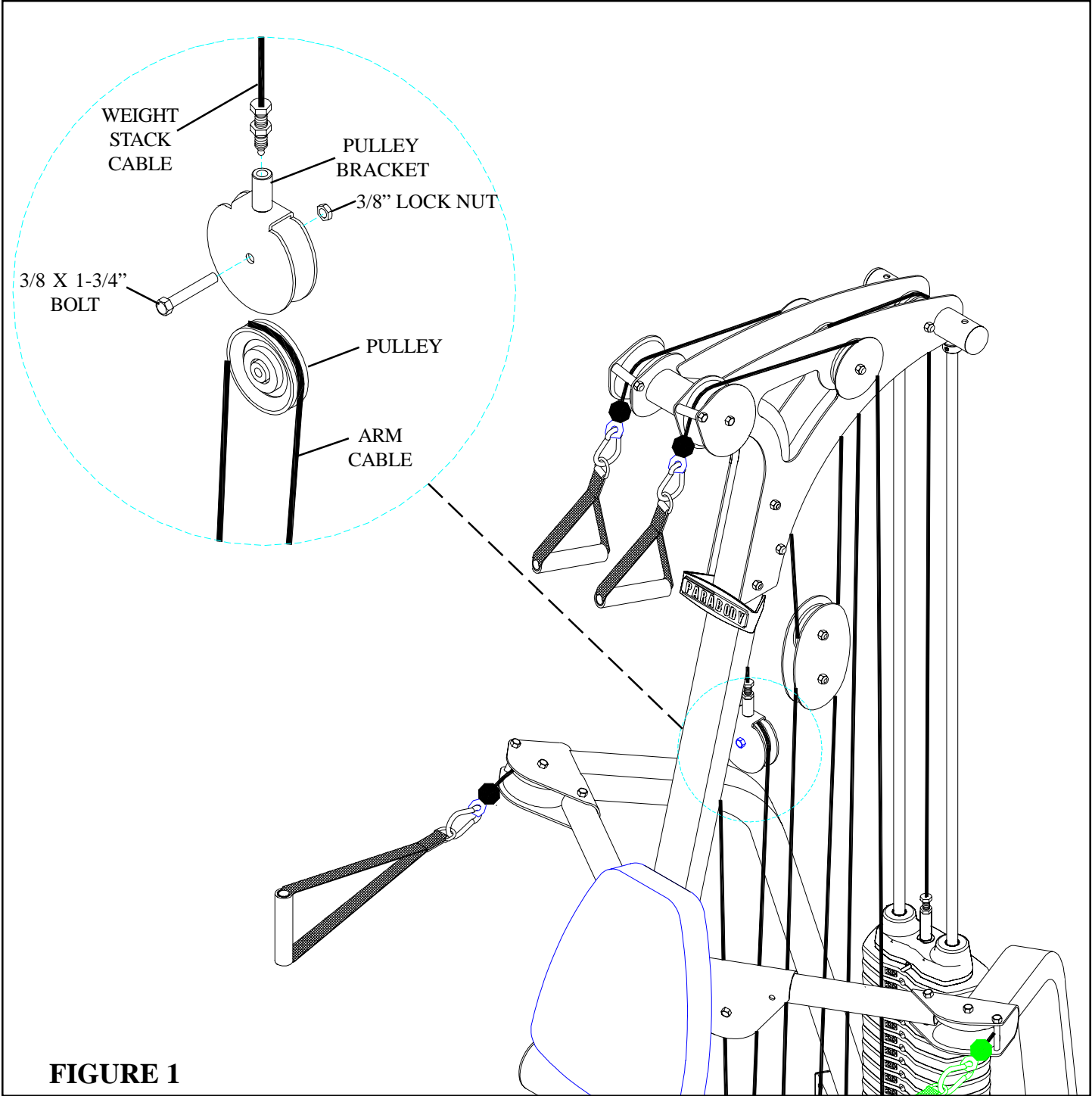
### WARNING:

Read and follow all directions for each step to insure proper assembly of this product.

## USER'S GUIDE

# PARTS LIST

KEY	PART #	DESCRIPTION	QTY		KEY	PART #	DESCRIPTION	QTY
1	7118508	GUIDE BRACKET	1		3	3102514	3/8" SAE WASHER	4
2	7122101	CABLE	2		4	3102955	3/8 X 4-1/4" BOLT	2

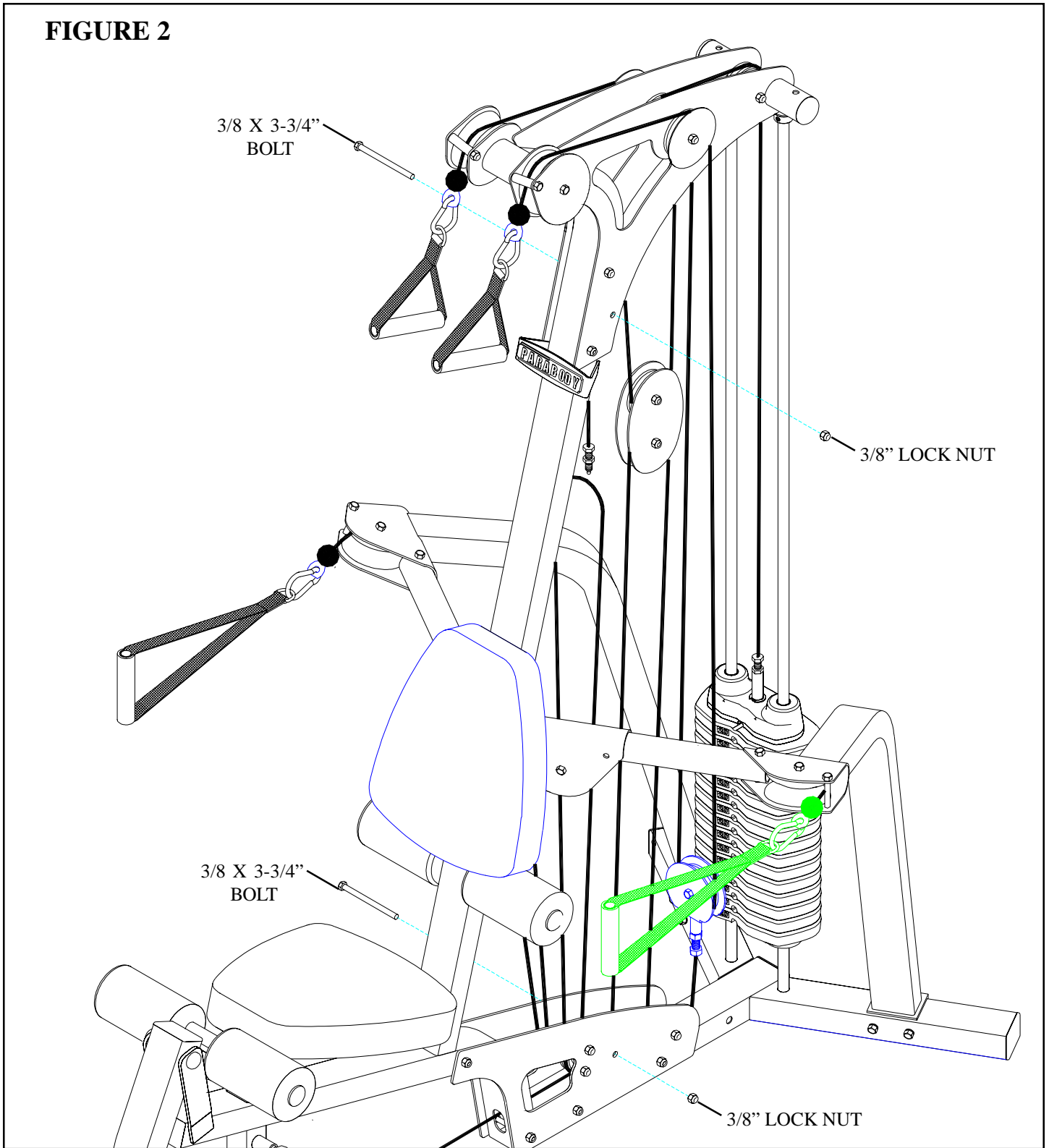


**FIGURE 1**

**STEP 1:**

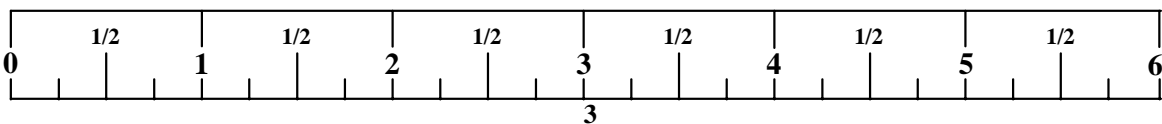
- Remove PULLEY and PULLEY BRACKET from the 777 GYM SYSTEM. Discard the PULLEY BRACKET. See FIGURE 1.

**FIGURE 2**

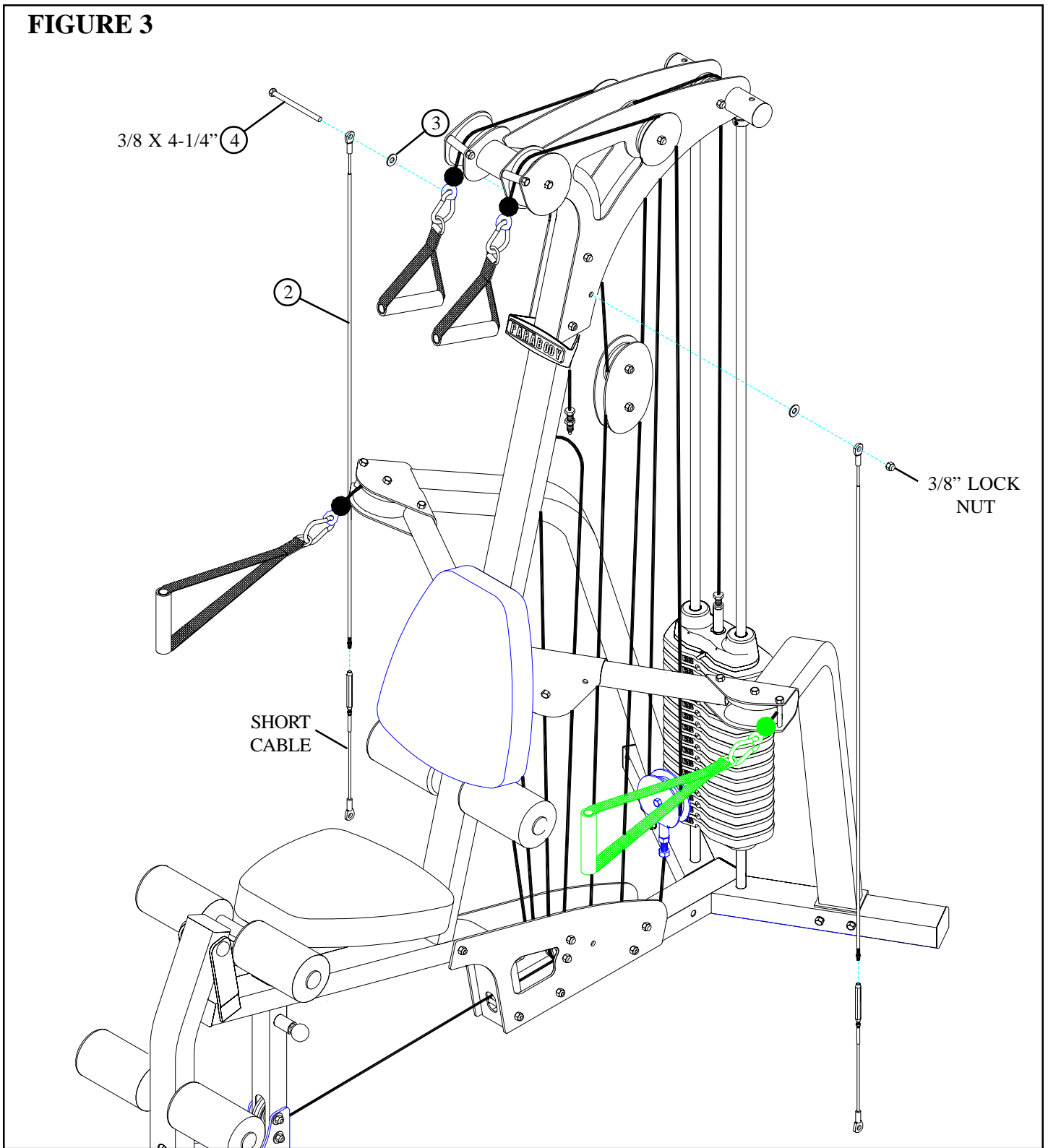


**STEP 2:**

- Remove one 3/8" LOCK NUT and one 3/8 X 3-3/4" BOLT from the TOP and BOTTOM PLATES as shown in FIGURE 2. Discard the 3/8 X 3-3/4" BOLTS.

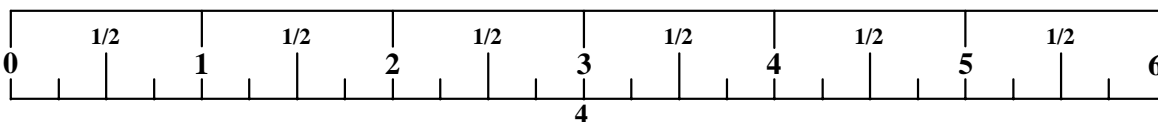


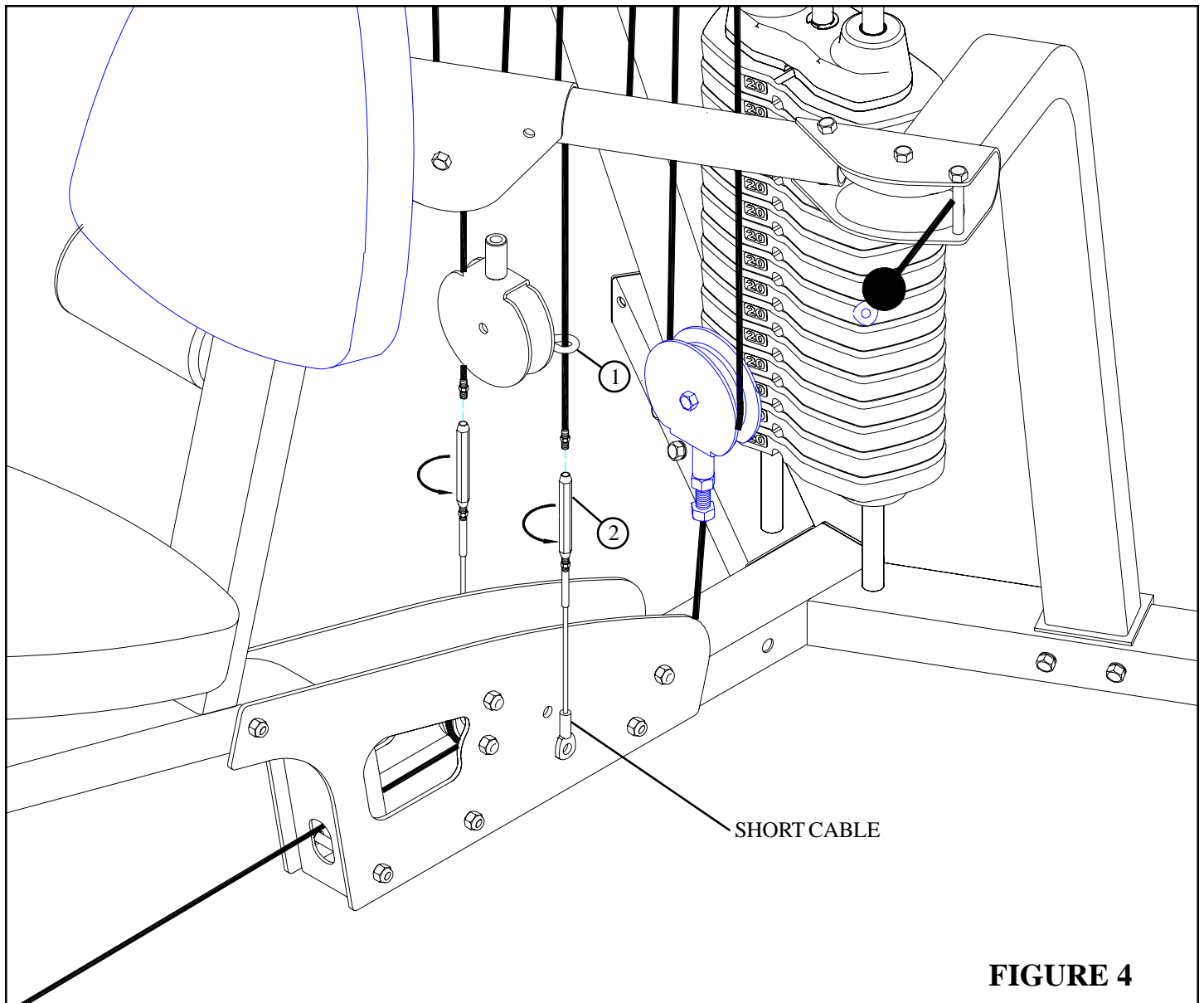
**FIGURE 3**



**STEP 3:**

- Assemble the CABLES (2) to the TOP PLATES using one 3/8 X 4-1/4" BOLT (4), two 3/8" SAE WASHERS (3) and one previously removed 3/8" LOCK NUT as shown in STEP 3.
- Disassemble the SHORT CABLE and the turnbuckle on LONG CABLE (2) as shown in FIGURE 3. The SHORT CABLE will be reassembled later.

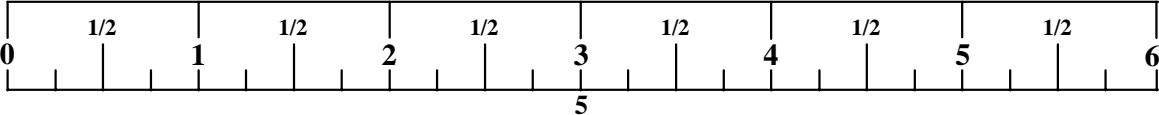


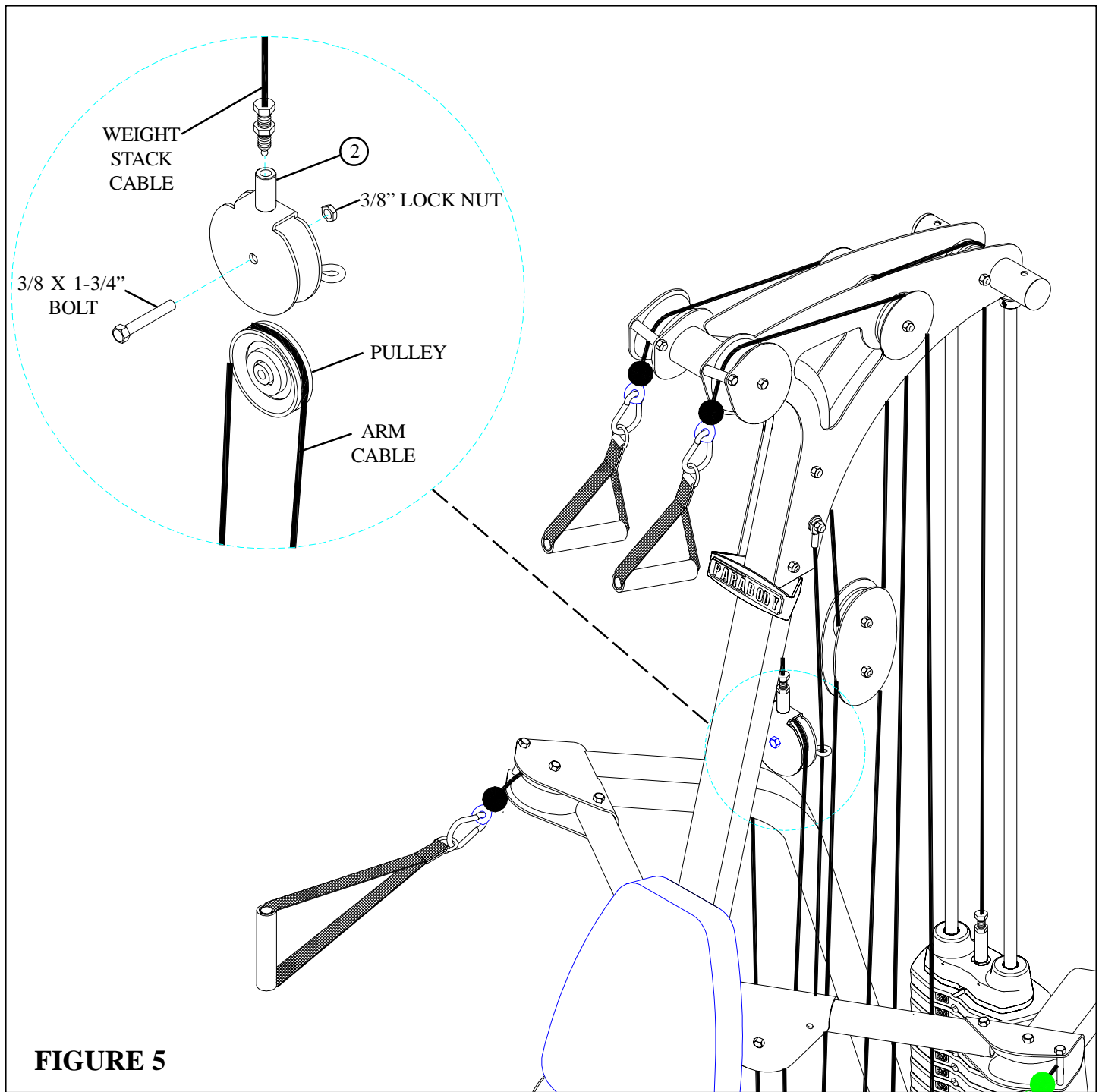


**FIGURE 4**

**STEP 4:**

- **CAREFULLY** slide the GUIDE BRACKET (1) through the CABLES (2) as shown in FIGURE 4.
- Assemble the SHORT CABLE and the turnbuckle to each CABLE (2) as shown in FIGURE 4.

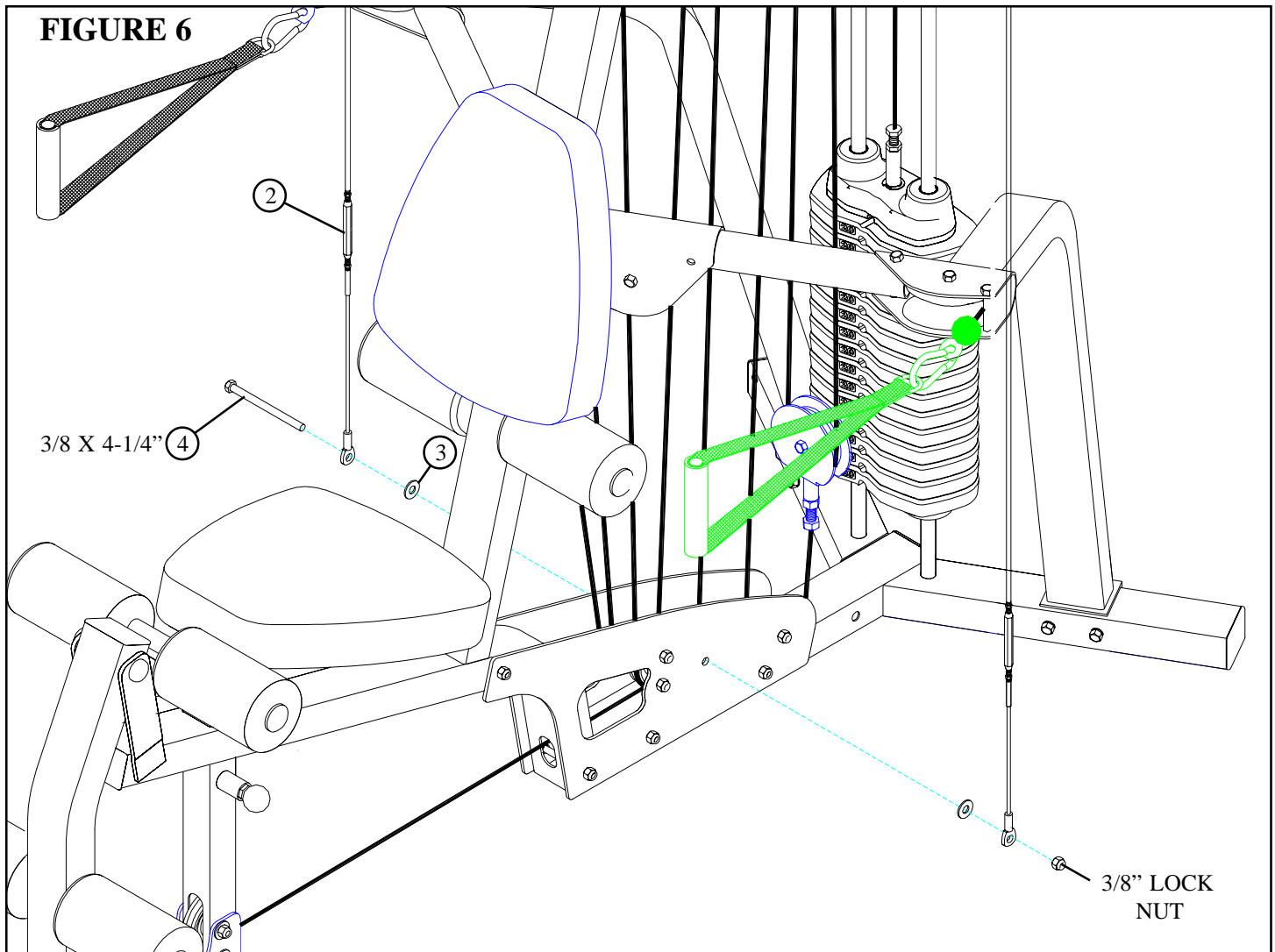




**FIGURE 5**

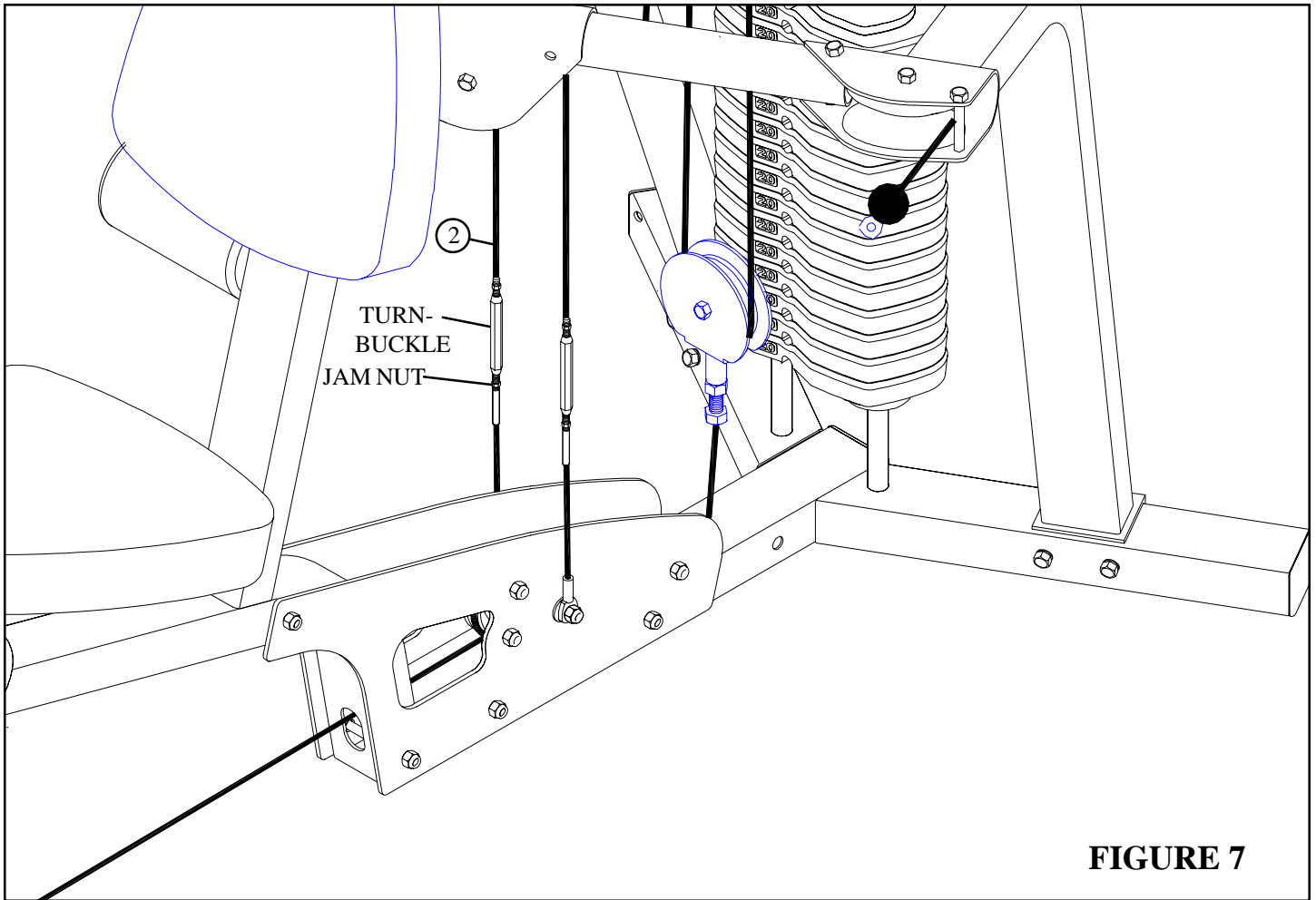
**STEP 5:**

- Slide the GUIDE BRACKET (1) up and reattach the WEIGHT STACK CABLE as shown in FIGURE 5.
- Loop the ARM CABLE around the previously removed pulley and assemble it to the GUIDE BRACKET (1) with the previously removed hardware as shown in FIGURE 5.



**STEP 6:**

- Assemble the CABLES (2) to the BOTTOM PLATES using one 3/8 X 4-1/4" BOLT (4), two 3/8" SAE WASHERS (3) and one previously removed 3/8" LOCK NUT as shown in STEP 6.



**FIGURE 7**

**STEP 7:**

- Adjust the turnbuckle on each CABLE (2) to add tension to the CABLES (2). Secure turnbuckle with the JAM NUTS as shown in FIGURE 7.
- Refer to the 777 USER GUIDE to adjust tension in the systems cables and tighten all jam nuts securely.



## Free Manuals Download Website

<http://myh66.com>

<http://usermanuals.us>

<http://www.somanuals.com>

<http://www.4manuals.cc>

<http://www.manual-lib.com>

<http://www.404manual.com>

<http://www.luxmanual.com>

<http://aubethermostatmanual.com>

Golf course search by state

<http://golfingnear.com>

Email search by domain

<http://emailbydomain.com>

Auto manuals search

<http://auto.somanuals.com>

TV manuals search

<http://tv.somanuals.com>