



IMPORTANT: Subwoofers covered by this manual are designed for use with a Paradigm® Subwoofer Amplifier only. Use with any other brand of amplifier can cause permanent damage and will void the Paradigm warranty.



OWNERS MANUAL

OM-605

IN-WALL SUBWOOFERS

Thank you for choosing award-winning Paradigm® Reference in-wall subwoofer systems and congratulations! You are about to experience the stunning difference these state-of-the-art high-end subwoofers will make in your music and home theater system.

Comprehensive R&D, leading-edge design, use of the finest materials and sophisticated manufacturing and quality control techniques provide vastly superior performance for each component part at every stage of design. Paradigm® Reference subwoofers will provide you with stunning high-end sound and unparalleled listening pleasure for years to come.

To achieve all of the exceptional sound that these subwoofers are capable of providing requires care in installation and operation. Please take the time to read this manual as well as the manual that came with your Paradigm® subwoofer amplifier and follow all instructions. If you have further questions, contact your Authorized Paradigm® Reference Dealer or visit the Q&A page in the Tech Support section of our website at www.paradigm.com.





RECYCLING AND REUSE GUIDELINES FOR EUROPE

In accordance with the European Union WEEE (Waste Electrical and Electronic Equipment) directive effective August 13, 2005, we would like to notify you that this product may contain regulated materials which, upon disposal, according to the WEEE directive, require special reuse and recycling processing. For this reason Paradigm Electronics Inc. (manufacturers of Paradigm® speakers and Anthem® electronics) has arranged with our distributors in European Union member nations to collect and recycle this product at no cost to you. To find your local distributor please contact the dealer from whom you purchased this product or go to our website at www.paradigm.com.

Please note that the product only falls under the WEEE directive. When disposing of packaging and other shipping material we encourage you to recycle through the normal channels.

DIRECTIVES EUROPEENNES SUR LE RECYCLAGE ET LE TRAITEMENT DES DECHETS

Dans le respect de la directive WEEE (Waste Electrical & Electronic Equipment) mise en place par les institutions Européennes à compter du 13 Août 2005, nous souhaitons vous informer que ce produit peut contenir des matières devant faire l'objet d'une procédure de recyclage ou de traitement approprié des déchets. Dans cette optique, Paradigm Electronics Inc (fabricant des enceintes Paradigm® et des électroniques Anthem®) avec ses Distributeurs agréés dans l'Union Européenne, ont mis en place une procédure de collecte et de retraitement gratuite. Pour en savoir davantage sur cette procédure veuillez contacter votre revendeur, ou notre Distributeur dans votre pays (vous en obtiendrez les coordonnées sur simple demande ou en consultant notre site Internet www.paradigm.com).

Notez que seul le produit fini est concerné par cette directive et ses obligations. S'agissant de son emballage et de ses accessoires de transport nous vous recommandons de les recycler selon les procédures mises en place par votre commune ou votre département.

TABLE OF CONTENTS

Important Operating Instructions: Read Before Operating Subwoofer . . .	3	Guidelines for Deciding on Subwoofer Placement	6
Subwoofer Assembly Parts List	4	Subwoofer Placement	7
Impedance Matching Switch (Pictorial)	4	Color-Match Painting	8
3-Position "EQ" Switch (Pictorial) . . .	4	Installation into a Wall Without a Backbox (Pictorial)	8
Your New Subwoofer	5	Installation into a Paradigm® Backbox (Pictorial)	10
Configuring the Amplifier for use with Your Subwoofer	5	Installation into a Wall Without a Backbox	11
The Listening Room	6	Limited Warranty	13

IMPORTANT OPERATING INSTRUCTIONS: READ BEFORE OPERATING SUBWOOFER

TO PREVENT DAMAGE TO AMPLIFIER OR SUBWOOFER, FOLLOW THE INSTRUCTIONS THAT RELATE TO YOUR SETUP BELOW. FAILURE TO FOLLOW THESE INSTRUCTIONS WILL RESULT IN PERMANENT DAMAGE TO AMPLIFIER AND SUBWOOFER. SUCH DAMAGE IS NOT COVERED UNDER THE PARADIGM WARRANTY.

POSITIONING THE IMPEDANCE MATCHING SWITCH:



TO PREVENT DAMAGE TO AMPLIFIER OR SUBWOOFER, THE IMPEDANCE MATCHING SWITCH ON YOUR SUBWOOFER'S BAFFLE MUST BE POSITIONED FOR USE WITH THE DESIGNATED AMPLIFIER (See Fig. 1).

USING THE X-300 AMPLIFIER:



TO PREVENT DAMAGE TO AMPLIFIER OR SUBWOOFER AND ENSURE OPTIMAL SOUND, THE 3-POSITION "EQ" SWITCH ON THE REAR PANEL OF THE AMPLIFIER MUST BE CORRECTLY CONFIGURED FOR USE WITH YOUR SETUP (See Fig. 2). Additional details on page 5.

SUBWOOFER ASSEMBLY PARTS LIST *(each subwoofer)*

- 1 subwoofer
- 1 mounting template
- 1 MDF mounting frame
- 8 mounting screws
- 4 gasket tape strips
- 2 port gaskets (5/8" drywall installation only)
- 1 paint mask
- 1 wire tie

Required, not included

- 1 Paradigm® X-300 Amplifier (for use with 1 Paradigm® Reference RVC subwoofer)
or 1 Paradigm® X-850 Amplifier (for use with 1 or 2 Paradigm® Reference RVC subwoofers)

IMPEDANCE MATCHING SWITCH *(all models)*

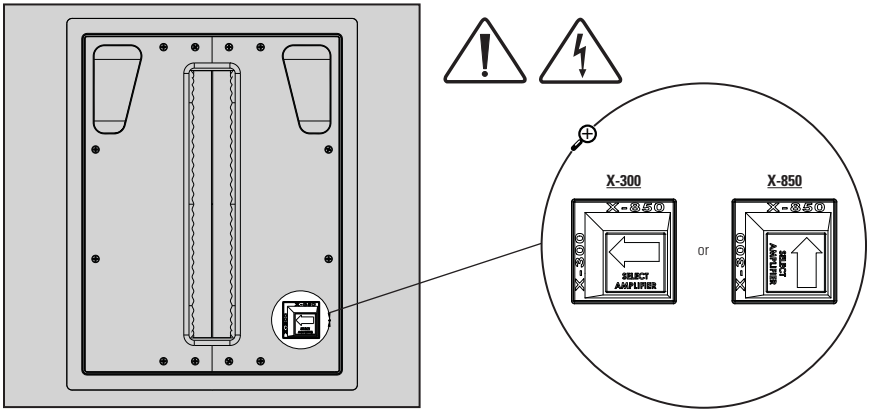


Fig. 1

3-POSITION "EQ" SWITCH *(X-300 Amplifier only)*

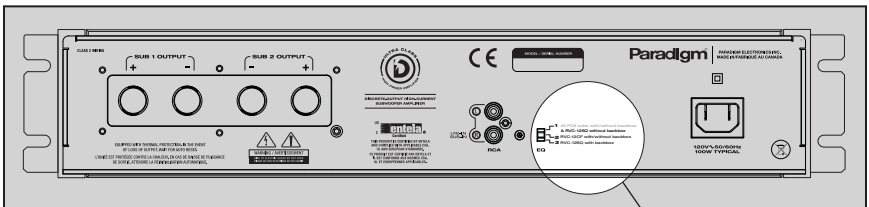


Fig. 2



YOUR NEW SUBWOOFER

Break-In

Allow your Paradigm® Reference subwoofer system to operate for several hours before you listen critically.

Cleaning

Clean subwoofer housing with a soft, damp cloth. Do not use a strong or abrasive cleaner or get any part of the subwoofer wet.

If you wish to paint your subwoofer you must do so before installing it. See the section on "Color Match Painting" later in this manual for full details.

Optional Paradigm® Backbox

Paradigm® Reference in-wall subwoofers can also be installed into an optional Paradigm® Backbox (*sold separately*). If you decide to use a backbox, follow the instructions for placement and installation included with the backbox. **NOTE:** If you install your subwoofer into a Paradigm® Backbox, you will not require the MDF mounting frame that came with your subwoofer.

CONFIGURING THE AMPLIFIER FOR USE WITH YOUR SUBWOOFER



WARNING: The following procedures are imperative for correct system setup. Failure to follow the instructions that apply to your setup will result in permanent damage to amplifier and subwoofer. **Such damage is NOT covered under the Paradigm warranty.**

1. The Impedance Matching Switch on Your Subwoofer's Baffle:

To prevent damage to amplifier or subwoofer, the **Impedance Matching Switch** on your subwoofer's baffle must be correctly positioned (Fig. 1).

2. Using the Paradigm® X-300 Amplifier with Your Subwoofer:

To prevent damage to amplifier or subwoofer and ensure optimal sound, the **3-Position "EQ" Switch** on the X-300 amplifier's rear panel must be correctly configured for use with or without a Paradigm® Backbox. Toggle to the setting that matches your setup (Fig. 2):

Setting 1: Use this setting with one RVC-12SQ subwoofer without a backbox

Setting 2: Use this setting with one RVC-12CF subwoofer with or without a backbox

Setting 3: Use this setting with one RVC-12SQ subwoofer with a backbox

NOTE: These settings are also displayed on your amplifier's back panel.

3. Using the Paradigm® X-850 Amplifier with Your Subwoofer:

Your X-850 amplifier comes with a Setup CD that allows you to configure your Paradigm® Reference subwoofer system for optimal sound. PC requirements for running this CD are Windows XP or Vista and one USB port. **Install the software and perform the setup before connecting your amplifier to the subwoofer.** For complete instructions on installing the software, refer to the Owners Manual that came with your X-850 amplifier.

THE LISTENING ROOM

Paradigm® Reference in-wall subwoofers are suitable for use in a wide variety of listening environments. Note however, that room construction, dimensions and furnishings all play a part in the quality of sound you ultimately achieve. Try to follow these guidelines:

- a) Strong, rigid walls are preferred for best bass balance. For even better results we recommend adding additional bracing and acoustic damping material to the cavity prior to installation. See section on "Installation Into A Wall Without A Backbox" later in this manual for more details.
- b) It is important to note that just as the amount of soft furnishings has a decided impact on mid and high frequencies, those frequencies below 150 Hz are dramatically affected by the room itself—its size, shape, as well as the physical boundaries of the room.

The extra care you take in correctly positioning your subwoofers will result in greater listening enjoyment. Follow the guidelines for placement below to achieve optimal sound in your room.

GUIDELINES FOR DECIDING ON SUBWOOFER PLACEMENT

When considering subwoofer placement directly into a wall, keep the following in mind:

- **DO NOT** install subwoofer in lath or plaster—over time, the bass vibrations will cause material to crack;
- **DO NOT** install subwoofer in cavities that contain ductwork;
- **DO NOT** locate subwoofer close to wall-mounted fixtures that may vibrate (remember to check the other side of the wall too!);
- **DO NOT** install subwoofer in a cavity that already contains an in-wall speaker;
- If installing subwoofer in a wall with metal studs, make sure the studs are securely fastened so that they do not vibrate or rattle;
- Some acoustic bleed-through in the adjacent room is unavoidable. See section on "Installation Into A Wall Without a Backbox" later in this manual for suggestions to reduce bleed-through.

(Guidelines and suggestions for the actual installation process can be found later in this manual.)

SUBWOOFER PLACEMENT

Bass is less and less directional as it goes down in frequency. For best sonic integration, placing your subwoofer in the wall at the front or rear of the room and close to a corner usually provides the best bass performance and sonic integration. If this location is not possible, keeping in mind the guidelines provided earlier, you may place your subwoofer anywhere in the wall without affecting the stereo image of your front speakers or the soundstage of your multi-channel speaker system.

Figs. 3a and 3b below highlight how bass output is generally affected by in-wall placement. When seated in the typical listening area of your room, placing the subwoofers in the various positions will typically result in bass performance as follows:

Fig. 3a: Corner placement close to the floor provides the best balance of output and accuracy.

Fig. 3b: Placement anywhere along the wall close to the floor but outside the "shaded" area will provide slightly reduced output, though still acceptable accuracy.

The Advantages of Using Two Subwoofers

We highly recommend using two Paradigm® Reference in-wall subwoofers in your music and home theater system. Using two subwoofers allows you to randomize the standing waves within your listening room so that bass is distributed in a more uniform manner. Using two subwoofers can also ensure even lower distortion, especially at high output levels.

If desired, for further optimized bass performance and even greater output, you can install an additional pair of Paradigm® Reference in-wall subwoofers. Figure 4 provides recommended placement for four subwoofers.

Broken lines in figures below represent alternate placement for two subwoofers.

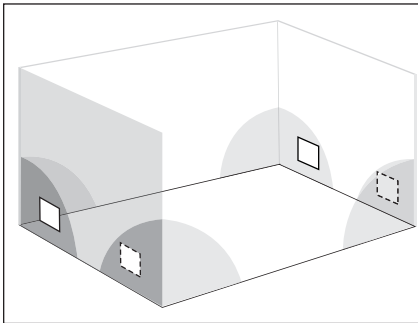


Fig. 3a

Two subwoofers close to floor in corners of room

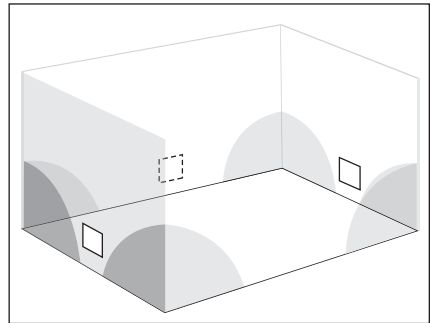


Fig. 3b

Two subwoofers close to floor in middle of walls

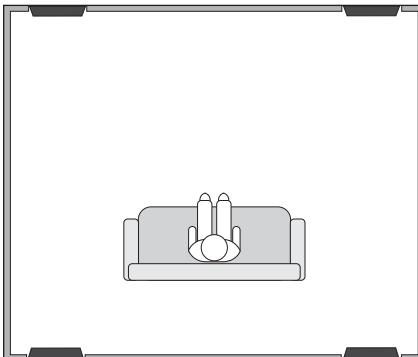


Fig. 4

Recommended placement for four subwoofers in a wall

COLOR-MATCH PAINTING *(optional)*

Your new subwoofer has a textured finish in neutral white to blend into any area. It may also be painted to match any décor. If you plan to paint your subwoofer, to avoid “painting it to the wall”, we recommend that you **paint it before installation**.

Please note:

- Do not paint the surface behind the grille
- Do not heat-cure your newly painted subwoofer
- Avoid painting the subwoofer's rear surface—protect it by masking the surface (*paint mask included*)

To Paint, Follow These Steps:

- 1) Remove the metal grille and position the paint mask (*included*) in its place;
- 2) In a well-ventilated area, apply several light coats of paint, letting the subwoofer housing dry completely between coats. Follow the paint manufacturer's directions;
- 3) When painting grille, be careful not to plug holes with paint and re-attach after paint has dried. It is easier to spray the grille than to use a brush. **Remove grille before painting.**

INSTALLATION INTO A WALL WITHOUT A BACKBOX

Connect subwoofer as outlined in the Owners Manual included with your Paradigm® subwoofer amplifier.

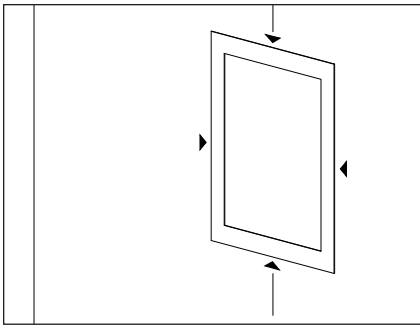


Fig. 5a

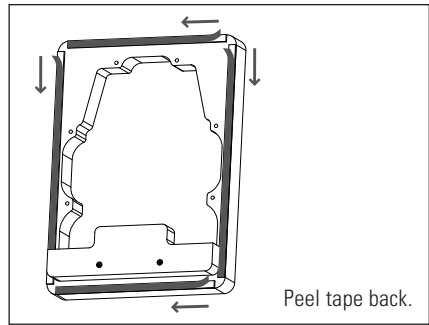


Fig. 5b

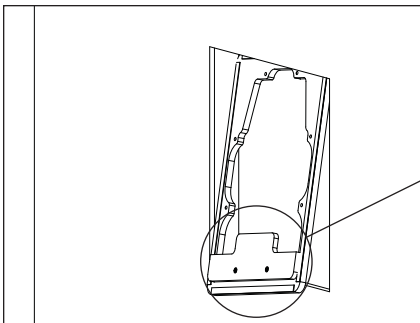
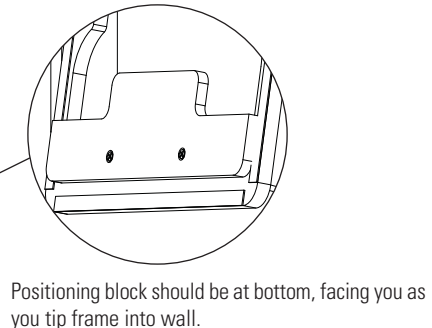


Fig. 5c



INSTALLATION INTO A WALL WITHOUT A BACKBOX *(continued)*

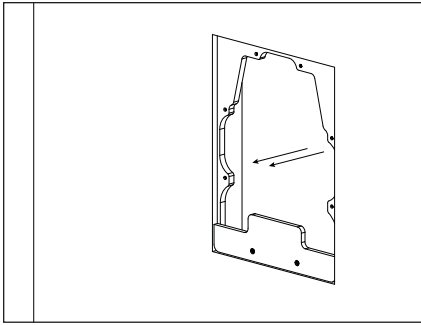


Fig. 5d

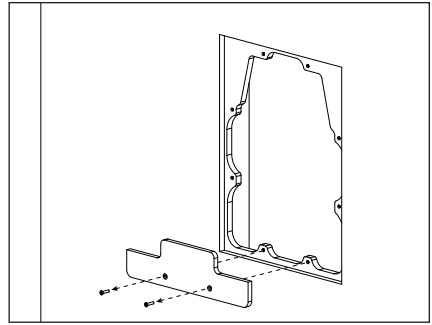


Fig. 5e

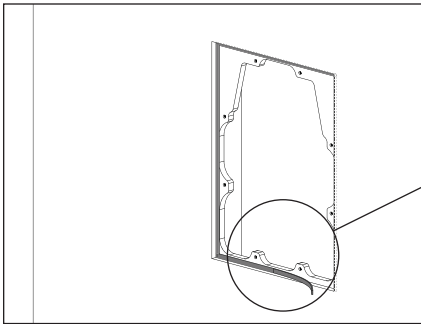
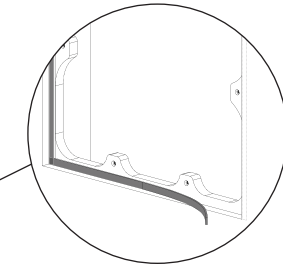


Fig. 5f



NOTE: Gasket tape strips must overlap at each corner for a complete seal.

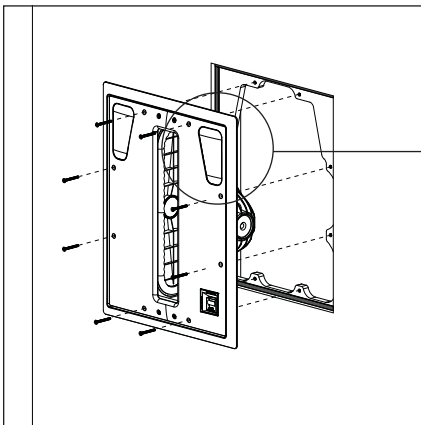
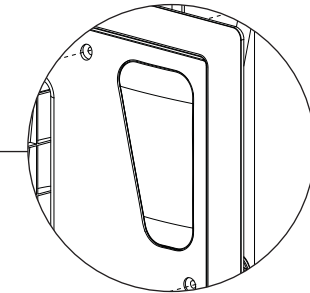


Fig. 5g



IMPORTANT! DO NOT remove port covers.

INSTALLATION INTO A PARADIGM® BACKBOX

Connect subwoofer as outlined in the Owners Manual included with your Paradigm® subwoofer amplifier and Paradigm® Backbox installation instructions.

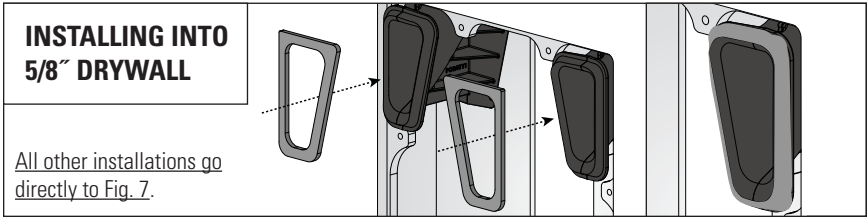


Fig. 6

Installation into 5/8" drywall requires additional sealing around ports. Peel backing and carefully align port gaskets with rim of ports (*as shown*). Press to adhere.

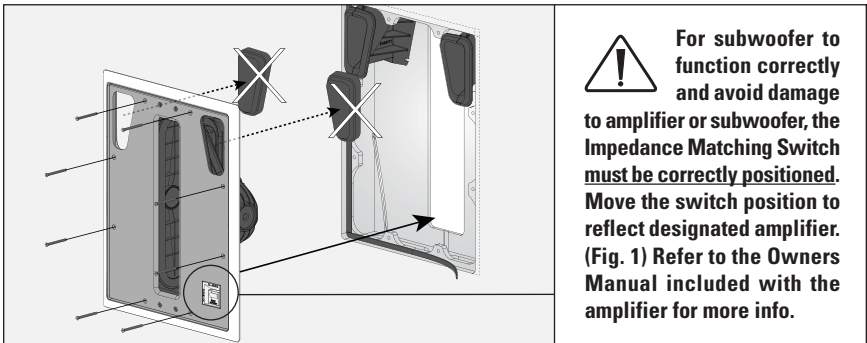


Fig. 7

To prevent air leaks, before installing subwoofer, apply gasket tape (*included with subwoofer*) along all four outer edges of box, overlapping tape at corners (*as shown* in Fig. 7). Remove port covers by pressing them out (*as shown*).

Holding subwoofer firmly, push it into backbox being careful to align top holes in subwoofer frame with top holes in backbox. Screw in until firm but not fully tightened. Continue holding subwoofer while lining up all bottom holes. Again, screw in until firm but not fully tightened. Insert remaining screws. Tighten all screws.

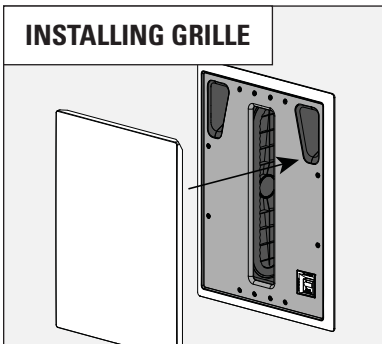


Fig. 8

INSTALLATION INTO A WALL WITHOUT A BACKBOX

IMPORTANT! INSTALLING SUBWOOFER INTO A PARADIGM® BACKBOX

Instructions for installing your subwoofer into a backbox were provided with the backbox. If you no longer have those instructions, follow the instructions on the previous page.

STIFFENING AND STRENGTHENING THE CAVITY

Although Paradigm® in-wall mounting systems are the most rigid on the market, when installing your subwoofer directly into a wall, to minimize acoustic bleed-through, we recommend the following:

Additional Bracing

Additional cross-bracing will further stiffen the cavity. We suggest placing two to three pieces of 2" x 4" (more if application allows) within the cavity, evenly spaced above and below the cutout. Additional bracing can also be sandwiched to the studs on either side of the subwoofer.

New Construction

New construction offers an excellent opportunity to strengthen and stiffen the cavity with additional bracing or construction-grade stiffening adhesives applied directly to the drywall. *(See Dealer for more information.)*

1. Mounting

TIP! Damping the cavity may be done before or after installing the MDF mounting frame. See subsection "Damping Material and Other Acoustic Treatments" on next page.

- a) Keeping in mind the recommendations for placement provided earlier, place cardboard mounting template onto wall. Cut hole as indicated (Fig. 5a).

Installing the MDF Mounting Frame:

Your Paradigm® Reference in-wall subwoofer comes with an MDF mounting frame. DO NOT try to install frame on the outside of the hole, it is designed to sit behind the cutout, providing support for the weight of the subwoofer.

- b) Remove double-sided tape (Fig. 5b).
- c) Tip frame into wall cutout (Fig. 5c).

TIP! The MDF frame has a raised positioning block to help you align it with the cutout. Position frame so that block is at bottom, facing you. Angle frame slightly to make it easier to tip into wall.

- d) Using the block as your guide, pull frame toward you so that it aligns on all sides with inside edges of the cutout. The block will protrude through the opening at bottom (Fig. 5d).

TIP! Press frame firmly against the inside of the wall, smoothing on all sides to engage adhesive. Once tape adheres to wall it will be difficult to reposition frame, so correct alignment initially is very important.

- e) Remove positioning block by removing screws that hold it in place; discard (Fig. 5e).
- f) To prevent air leaks, before installing subwoofer, apply gasket tape (*included*) along all four sides of MDF frame (as shown in Fig. 5f). Tape must overlap on all four corners.

INSTALLATION INTO A WALL WITHOUT A BACKBOX *(continued)*

1. Mounting *(continued)*

Damping Material and Other Acoustic Treatments

TIP! To ensure optimal results, do not compact damping material during the damping process. Additional soundproofing treatments (*i.e.* *Dynamat*[®]) can be used against the back wall of the cavity as well as on the inside front of the wall (*see Dealer for more information*).

Damping the Cavity:

For optimum performance, loosely place a minimum of ...

- Two pieces, 8" (20 cm) to 12" (30 cm) long, of standard fiberglass insulation in the wall. R-12 for 2" x 4" (5 cm x 10 cm) walls or R-20 for 2" x 6" (5 cm x 15 cm) walls. Place one piece just above and the other just below the mounting hole;
- A half-thick piece of fiberglass insulation, the same height as the subwoofer, in the wall directly behind the mounting hole, allowing enough space for the subwoofer to properly recess into the cavity.

2. Connecting and Installing

You are now ready to connect and install the subwoofer. If you are **color-match painting** do so now before proceeding. Follow the painting instructions provided earlier.

With grille removed ...

Connecting Subwoofer:

Connect subwoofer cable as outlined in the Owners Manual included with your Paradigm[®] subwoofer amplifier (*sold separately*). Once connected ...

Installing Subwoofer (Fig. 5g):

Leave port covers in place. (Covers are only removed if installing into an optional Paradigm[®] Backbox.)

IMPORTANT! Installation into 5/8" drywall requires additional sealing around ports (Fig. 6).

Holding the subwoofer firmly ...

- a) Tip it into the mounting frame, making sure the holes in the top of the MDF frame align with the holes in the top of the subwoofer frame.
- b) Insert screws into top holes. Screw in until firm, but not fully tightened.
- c) Continue holding subwoofer firmly while lining up bottom holes in MDF frame with bottom holes in subwoofer frame. Again, screw in until firm, but not fully tightened.
- d) Insert all remaining screws, then firmly tighten all screws.

3. Installing the Grille

Press the grille into the groove on the front face of the subwoofer (Fig. 8).

LIMITED WARRANTY

IMPORTANT: Subwoofers covered by this manual are designed for use with a Paradigm® Subwoofer Amplifier only. Use with any other brand of amplifier can cause permanent damage and will void the Paradigm warranty.

Paradigm® subwoofers covered by this manual are warranted to be and remain free of manufacturing and/or material defects for a period of **three (3)** years from the date of the original retail purchase.

Within the time period specified repair, replacement or adjustment of parts for manufacturing and/or material defects will be free of charge to the original owner.

Thermal or mechanical abuse/misuse is not covered under warranty.

Limitations:

- Warranty begins on date of original retail purchase from an Authorized Paradigm® Dealer only. It is not transferable;
- Warranty applies to product in normal home use only. If the product is subjected to any of the conditions outlined in the next section, warranty is void;
- Warranty does not apply if the product is used in professional or commercial applications.

Warranty is Void if:

- The product has been abused (intentionally or accidentally);
- The product has been used in conjunction with unsuitable or faulty equipment;
- The product has been subjected to damaging signals, derangement in transport, mechanical damage or any abnormal conditions;
- The product has been tampered with or damaged by an unauthorized service facility;
- The serial number has been removed or defaced.

Owner Responsibilities:

- Provide normal/reasonable operating care and maintenance;
- Provide or pay for transportation charges for product to service facility;
- Provide proof of purchase (your sales receipt given at time of purchase from your Authorized Paradigm® Dealer).

Should servicing be required, contact your nearest Authorized Paradigm® Dealer, Paradigm® Electronics Inc., or Import Distributor (outside the U.S. and Canada) to arrange, bring in or ship prepaid any defective unit.

Visit our website at www.paradigm.com for more information.

Paradigm Electronics Inc. reserves the right to improve the design of any product without assuming any obligation to modify any product previously manufactured.

This warranty is in lieu of all other warranties expressed or implied, of merchantability, fitness for any particular purpose and may not be extended or enlarged by anyone. In no event shall Paradigm Electronics Inc., their agents, or representatives be responsible for any incidental or consequential damages. Some jurisdictions do not allow limitation of incidental or consequential damages, so this exclusion may not apply to you.

Retain this manual and your sales receipt for proof of warranty term and proof of purchase.



IMPORTANT : les caissons de sous-graves couverts par ce manuel sont conçus pour être utilisés avec un amplificateur de caisson de sous-graves Paradigm^{MD} uniquement. L'utilisation avec une autre marque d'amplificateur de caisson de sous-graves annulera la garantie de Paradigm^{MD}.



MODE D'EMPLOI

OM-605

CAISSON DE SOUS-GRAVES ENCASTRABLES AU MUR

Félicitations! Nous vous remercions d'avoir choisi ces caissons de sous-graves Paradigm^{MD} Reference encastrables au mur primés. Vous entendrez la différence que confèrent ces caissons de sous-graves de pointe haut de gamme à votre système audio ou de cinéma maison.

Un processus exhaustif de recherche et développement, une conception de pointe, l'utilisation des meilleurs matériaux, et des techniques de fabrication et de contrôle de la qualité perfectionnées fournissent un rendement largement supérieur à chacune des étapes de la conception. Les caissons de sous-graves Paradigm^{MD} Reference vous fourniront un son exceptionnel et une qualité d'écoute sans égal pendant de nombreuses années.

Pour profiter pleinement de l'excellence sonore de ces caissons de sous-graves, il importe d'apporter un soin particulier à leur installation et à leur utilisation. Veuillez lire le présent manuel et suivre toutes les instructions. Si vous avez des questions à poser, veuillez communiquer avec votre revendeur Paradigm^{MD} Reference autorisé ou consulter la page de questions et réponses dans la section du support technique de notre site Internet au **www.paradigm.com**.



TABLE DES MATIÈRES

Consignes de sécurité importantes : à lire avant d'utiliser le caisson de sous-graves . . .	15	Directives pour décider où placer le caisson de sous-graves	18
Liste des pièces pour monter le caisson de sous-graves	16	Positionnement du caisson de sous-graves	19
Interrupteur d'agencement de l'impédance (illustration)	16	Appariement de la couleur	20
Interrupteur « EQ » à trois positions (illustrations)	16	Installation dans le mur sans boîtier arrière (illustrations)	20
Votre nouveau caisson de sous-graves . . .	17	Installation dans un boîtier arrière Paradigm ^{MD}	22
Configurer l'amplificateur pour l'utiliser avec le caisson de sous-graves	17	Installation dans le mur sans boîtier arrière	23
Salle d'écoute	18	Garantie limitée	25

CONSIGNES DE SÉCURITÉ IMPORTANTES : À LIRE AVANT D'UTILISER LE CAISSON DE SOUS-GRAVES

POUR ÉVITER D'ENDOMMAGER L'AMPLIFICATEUR OU LE CAISSON DE SOUS-GRAVES, VEUILLEZ SUIVRE LES INSTRUCTIONS CONCERNANT VOTRE CONFIGURATION CI-DESSOUS. LE DÉFAUT DE SUIVRE CES INSTRUCTIONS ENTRAÎNERA DES DOMMAGES PERMANENTS À L'AMPLIFICATEUR ET AU CAISSON DE SOUS-GRAVES. DE TELS DOMMAGES NE SONT PAS COUVERTS PAR LA GARANTIE DE PARADIGM.

POSITIONNEMENT DE L'INTERRUPTEUR D'AGENCEMENT DE L'IMPÉDANCE :



POUR ÉVITER D'ENDOMMAGER L'AMPLIFICATEUR OU LE CAISSON DE SOUS-GRAVES, L'INTERRUPTEUR D'AGENCEMENT DE L'IMPÉDANCE SITUÉ SUR L'ÉCRAN ACOUSTIQUE DU CAISSON DE SOUS-GRAVES DOIT ÊTRE POSITIONNÉ POUR UNE UTILISATION AVEC L'AMPLIFICATEUR DÉSIGNÉ (voir la Fig. 8).

UTILISATION DE L'AMPLIFICATEUR X-300 :



POUR ASSURER UN SON OPTIMAL ET EMPÊCHER LES DOMMAGES À L'AMPLIFICATEUR OU AU CAISSON DE SOUS-GRAVES, L'INTERRUPTEUR « EQ » À 3 POSITIONS SITUÉ SUR LE PANNEAU ARRIÈRE DU X-300 DOIT ÊTRE POSITIONNÉ DE FAÇON APPROPRIÉE POUR UNE UTILISATION AVEC VOTRE INSTALLATION (voir Fig. 9). Détails supplémentaires à la page 17.

LISTE DES PIÈCES POUR MONTER LE CAISSON DE SOUS-GRAVES (chaque caisson)

- 1 caisson de sous-graves
- 1 gabarit de montage
- 1 cadre de montage MDF
- 8 vis de montage
- 4 bandes de ruban à joint
- 2 joints de port (pour une installation dans une cloison sèche de 5/8 po)
- 1 masque à peinture
- 1 attache métallique

Nécessaire, non compris

- 1 amplificateur Paradigm^{MD} X-300 (pour une utilisation avec un caisson de sous-graves Paradigm^{MD} Reference RVC) ou 1 amplificateur Paradigm^{MD} X-850 (pour une utilisation avec un ou deux caissons de sous-graves Paradigm^{MD} Reference RVC)

INTERRUPTEUR D'AGENCEMENT DE L'IMPÉDANCE

(tous les modèles)

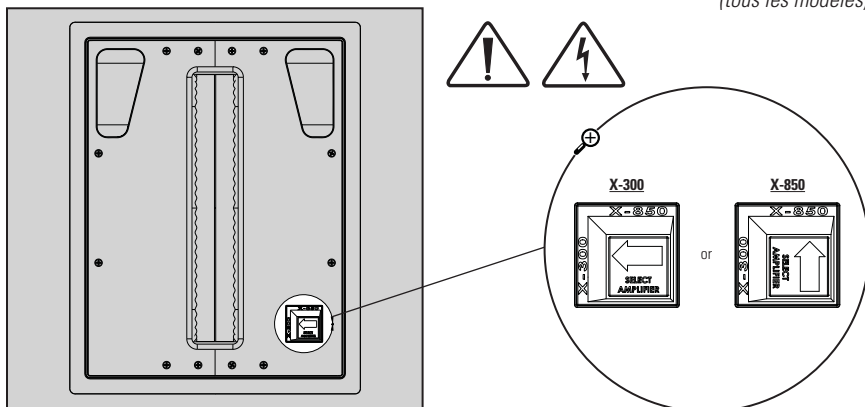


Fig. 8

INTERRUPTEUR « EQ » À 3 POSITIONS (amplificateur X-300 uniquement)

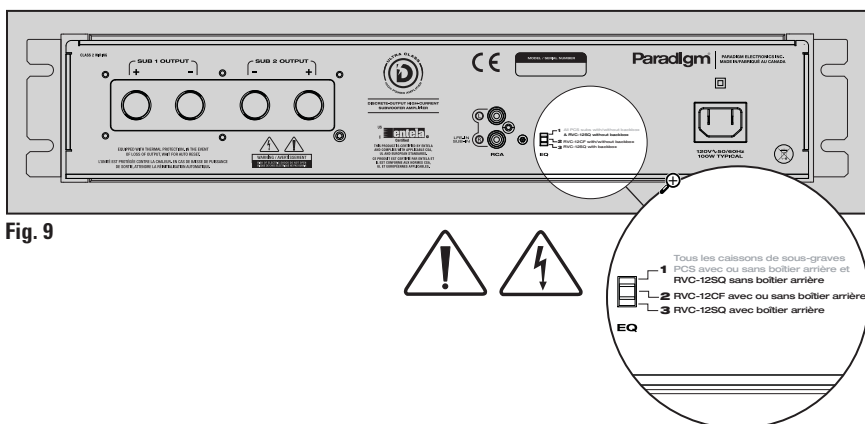


Fig. 9

VOTRE NOUVEAU CAISSON DE SOUS-GRAVES

Rodage

Laissez le caisson de sous-graves Paradigm^{MD} Reference fonctionner pendant quelques heures avant une première écoute critique.

Nettoyage

Nettoyez le boîtier du caisson de sous-graves avec un linge doux et humide. N'utilisez pas de nettoyant puissant ou abrasif, et évitez de mouiller quelque pièce du caisson de sous-graves que ce soit.

Si vous souhaitez peindre le caisson de sous-graves, vous devez le faire avant de l'installer. Consultez la section « Appariement de la couleur » pour obtenir tous les détails.

Boîtier arrière Paradigm^{MD} facultatifs

Les caissons de sous-graves Paradigm^{MD} Reference encastrables au mur peuvent être installés dans un boîtier arrière Paradigm^{MD} facultatif (*vendu séparément*). Si vous décidez d'utiliser un boîtier arrière, veuillez suivre les instructions en matière de placement et d'installation comprises avec le boîtier arrière. **REMARQUE** : si vous installez le caisson de sous-graves dans un boîtier arrière Paradigm^{MD}, vous n'aurez pas besoin du cadre de montage MDF fourni avec le caisson de sous-graves.

CONFIGURER L'AMPLIFICATEUR POUR L'UTILISER AVEC LE CAISSON DE SOUS-GRAVES



MISE EN GARDE : les procédures suivantes sont absolument nécessaires pour obtenir une configuration appropriée du système. Le défaut de suivre ces instructions entraînera des dommages permanents à l'amplificateur et au caisson de sous-graves. De tels dommages ne sont pas couverts par la garantie de Paradigm.

1. L'interrupteur d'agencement de l'impédance sur l'écran acoustique du caisson de sous-graves :

Pour éviter d'endommager l'amplificateur ou le caisson de sous-graves, l'**interrupteur d'agencement de l'impédance** situé sur l'écran acoustique du caisson de sous-graves doit être placé dans la bonne position (Fig. 8).

2. Utilisation d'un amplificateur X-300 avec votre caisson de sous-graves :

Pour assurer un son optimal et empêcher les dommages à l'amplificateur ou au caisson de sous-graves, l'**interrupteur « EQ » à 3 positions** situé sur le panneau arrière du X-300 doit être positionné de façon appropriée pour une utilisation avec ou sans le boîtier arrière Paradigm^{MD}. Placez-le à la position qui correspond à votre configuration (Fig. 9) :

Configuration 1: utilisez cette configuration avec un caisson de sous-graves RVC-12SQ sans boîtier arrière

Configuration 2: utilisez cette configuration avec un caisson de sous-graves RVC-12CF avec ou sans boîtier arrière

Configuration 3: utilisez cette configuration avec un caisson de sous-graves RVC-12SQ avec un boîtier arrière

REMARQUE : ces configurations sont également affichées sur le panneau arrière de votre amp.

CONFIGURER L'AMPLIFICATEUR POUR L'UTILISER AVEC LE CAISSON DE SOUS-GRAVES *(suite)*

3. Utilisation de l'amplificateur X-850 Paradigm^{MD} avec votre caisson de sous-graves :

Votre amplificateur X-850 est fourni avec un CD d'installation qui vous permet de configurer votre système de caisson de sous-graves Paradigm^{MD} Reference pour obtenir un son optimal. Les exigences informatiques pour exécuter ce CD sont Windows XP ou Vista et un port USB. **Installez le logiciel et exécutez la configuration avant de brancher l'amplificateur au caisson de sous-graves.** Pour obtenir les instructions complètes sur l'installation du logiciel, consultez le guide de l'utilisateur fourni avec l'amplificateur X-850.

SALLE D'ÉCOUTE

Les caissons de sous-graves Paradigm^{MD} Reference encastrables au mur peuvent être utilisés dans divers milieux d'écoute. Veuillez toutefois noter que la construction et les dimensions de la pièce, ainsi que les meubles qu'elle renferme ont tous une incidence sur la qualité sonore qu'il sera possible d'obtenir. En général, il est recommandé d'observer les directives suivantes :

- Pour un son équilibré, des murs robustes et rigides sont préférables. Pour des résultats supérieurs, installez des travers et du matériel d'insonorisation dans la cavité avant l'installation. Consultez la section « Installation du caisson de sous-graves dans un mur sans boîtier arrière » ci-dessous pour obtenir plus de détails.
- Le contenu, dont les meubles, de la pièce a une incidence sur les fréquences intermédiaires et élevées; les fréquences inférieures à 150 Hz sont très touchées par la pièce elle-même : sa taille, sa forme, ainsi que les limites de la pièce.

Le soin accordé au placement du caisson de sous-graves permettra une meilleure expérience d'écoute. En général, il est recommandé d'observer les directives ci-dessous pour obtenir un son optimal.

DIRECTIVES POUR DÉCIDER OÙ PLACER LE CAISSON DE SOUS-GRAVES

Lorsque vous pensez à placer le caisson de sous-graves directement dans le mur, veuillez observer les directives suivantes :

- NE PAS** installer le ou les caissons de sous-graves dans un support d'enduit ou du plâtre – la vibration des basses fera craquer le matériel au fil du temps.
- NE PAS** installer le ou les caissons de sous-graves dans les cavités qui contiennent des conduits.
- NE PAS** positionner le ou les caissons de sous-graves près d'un luminaire fixé au mur qui pourrait vibrer (ne pas oublier de vérifier également l'autre côté du mur!)
- NE PAS** installer le ou les caissons de sous-graves dans une cavité qui contient déjà une enceinte encastrable au mur.
- Si vous effectuez l'installation dans un mur qui contient des montants en métal, assurez-vous qu'ils sont bien fixés pour éviter qu'ils ne vibrent ou ne rebondissent.
- Une certaine infiltration sonore dans la pièce adjacente est inévitable. Consultez la section « Installation du caisson de sous-graves dans un mur sans boîtier arrière » pour obtenir des suggestions afin de réduire l'infiltration sonore.

(Les directives et les suggestions pour le processus d'installation réel sont fournies plus loin dans le manuel.)

POSITIONNEMENT DU CAISSON DE SOUS-GRAVES

Plus les fréquences sont basses, moins le son est directionnel. Pour optimiser l'intégration sonore, le fait de positionner le caisson dans le mur de la partie avant de la pièce ou dans le mur de la partie arrière de la pièce et près d'un angle assure généralement la meilleure performance des graves et la meilleure intégration sonore possibles. Si cela est impossible, sans oublier les directives fournies ci-dessus, vous pouvez placer le caisson de sous-graves n'importe où dans le mur sans nuire à l'image sonore stéréophonique de vos enceintes avant ou à l'image sonore d'un système à canaux multiples.

Les Figures 10a et 10b ci-dessous illustrent l'effet qu'exerce le positionnement du caisson dans le mur sur les basses fréquences. Pour l'auditeur assis dans une aire d'écoute typique de la pièce, le positionnement du caisson de sous-graves dans les différentes positions aura les effets suivants sur la performance des graves :

Fig. 10a: le positionnement dans un angle près du sol produit le meilleur équilibre du son et de la précision.

Fig. 10b: le positionnement à proximité d'un mur, près du sol, mais à l'extérieur des zones ombragées, offre un son un peu diminué, mais une précision acceptable.

Les avantages d'utiliser deux caissons de sous-graves

Nous vous recommandons fortement d'utiliser deux caissons de sous-graves Paradigm^{MD} Reference encastrables au mur pour votre système audio ou de cinéma maison. L'utilisation de deux caissons de sous-graves permet une distribution aléatoire des ondes stationnaires dans la salle d'écoute afin de produire une distribution des graves plus uniforme. L'utilisation de deux caissons de sous-graves permet également de réduire la distorsion, à volume élevé notamment.

Pour obtenir une meilleur optimisation des graves et un son encore meilleur, vous pouvez installer une paire supplémentaire de caissons de sous-graves Paradigm^{MD} Reference encastrables au mur. La Figure 11 indique le placement recommandé pour quatre caissons de sous-graves.

Les lignes pointillées dans les figures ci-dessous représentent un positionnement alternatif pour deux caissons de sous-graves.

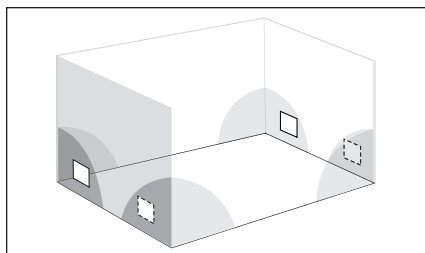


Fig. 10a

Deux caissons de sous-graves près du sol dans les coins de la pièce

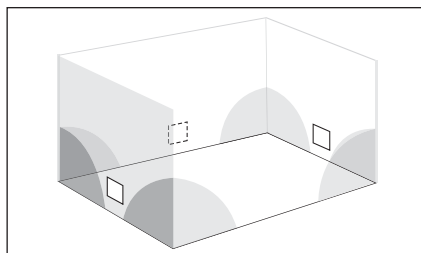


Fig. 10b

Deux caissons de sous-graves près du sol au milieu des murs.

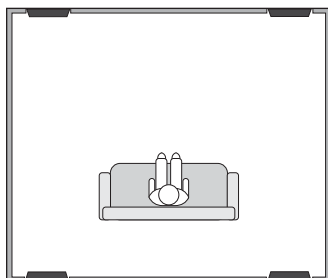


Fig. 11

Positionnement recommandé pour quatre caissons de sous graves dans un mur.

APPARIEMENT DE LA COULEUR *(facultatif)*

Votre nouveau caisson de sous-graves présente une finition blanche neutre texturée qui se mariera à n'importe quelle pièce. Il est également possible de le peindre pour qu'il s'agence au décor de la pièce. Si vous prévoyez peindre votre caisson de sous-graves, **le peindre avant de l'installer**.

Il importe également de :

- Ne pas peindre la surface à l'arrière de la grille;
- Ne pas sécher la peinture du nouveau caisson de sous-grave à la chaleur;
- Ne pas peindre la surface arrière du caisson de sous-graves – masquer cette surface pour la protéger (*masque de peinture compris*).

Pour peindre, suivre les étapes suivantes :

- 1) Retirer la grille métallique et installer le masque (*compris*) à sa place;
- 2) Dans un espace bien aéré, appliquer plusieurs couches de peinture légères en prenant soin de bien laisser chaque couche sécher avant d'appliquer la suivante. Suivre les instructions du fabricant de peinture.
- 3) Pour peindre la grille, s'assurer que la peinture n'obstrue pas les trous de la grille. Retirer le linge protecteur de l'intérieur de la grille (*le cas échéant*) avant de la peindre et la remettre lorsque la peinture est sèche. Pour ce faire, il est plus facile de la peindre au pistolet qu'au pinceau. **Enlever la grille avant de la peindre.**

INSTALLATION DANS LE MUR SANS BOÎTIER ARRIÈRE

Raccordez le caisson de sous-graves en suivant les instructions du manuel de l'utilisateur compris avec votre amplificateur de caisson de sous-graves Paradigm^{MD}.

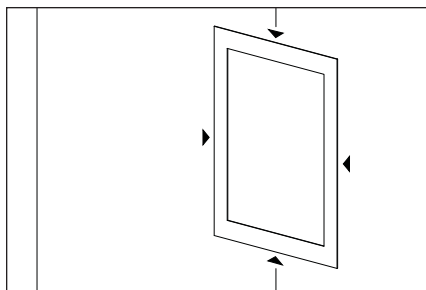


Fig. 12a

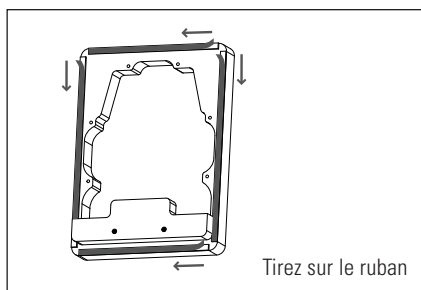


Fig. 12b

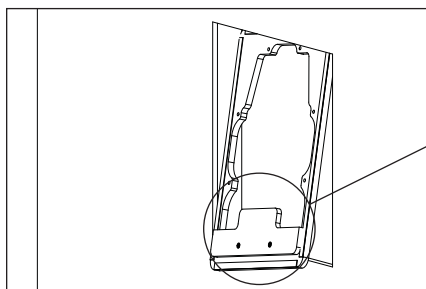
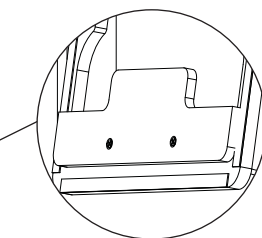


Fig. 12c



La butée de positionnement doit être placée dans la partie inférieure du cadre, face à vous quand vous glissez le cadre dans le mur.

INSTALLATION DANS LE MUR SANS BOÎTIER ARRIÈRE (suite)

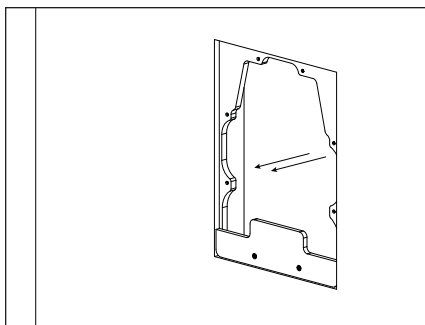


Fig. 12d

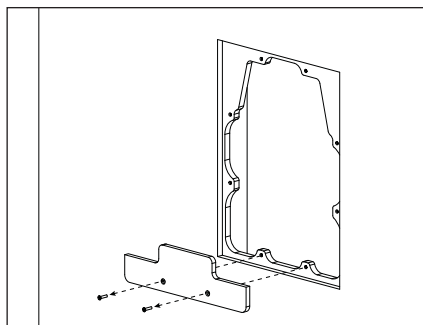


Fig. 12e

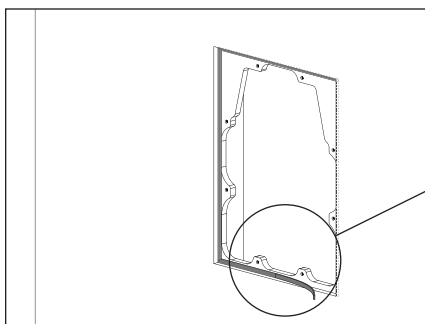
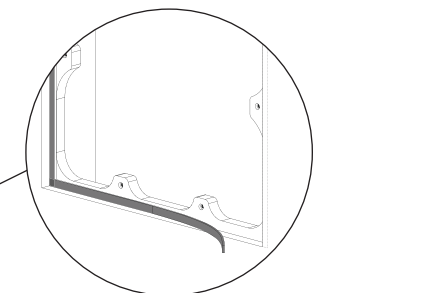


Fig. 12f



REMARQUE : Le ruban à joint doit couvrir chaque coin.

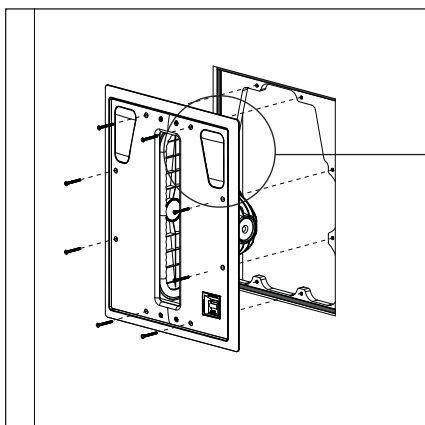
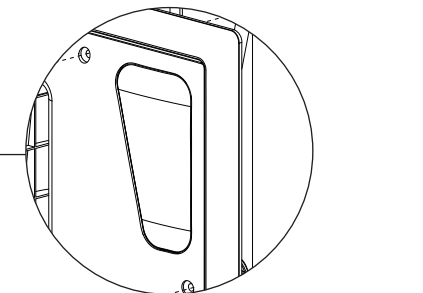


Fig. 12g



IMPORTANT! NE PAS retirer les couvercles de port.

INSTALLATION DANS UN BOÎTIER ARRIÈRE PARADIGM^{MD}

Raccordez le caisson de sous-graves en suivant les instructions du manuel de l'utilisateur compris avec votre amplificateur de caisson de sous graves Paradigm^{MD} et les instructions concernant le raccordement du boîtier arrière Paradigm^{MD}.

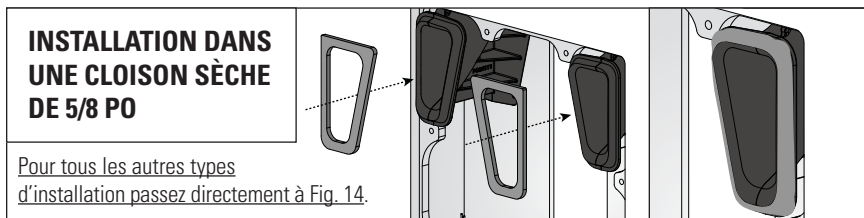


Fig. 13

L'installation dans une cloison sèche de 5/8 po exige un scellant supplémentaire autour des ports. Tirez le revêtement arrière et alignez minutieusement le ruban à joint sur le rebord du port (tel qu'illustré). Appuyez pour faire adhérer le ruban.

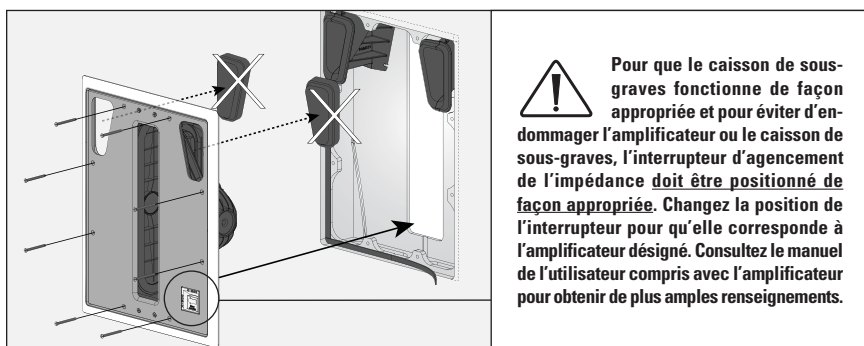


Fig. 14

Pour éviter les fuites d'air, appliquez du ruban à joint (*inclus*) le long des quatre côtés du boîtier arrière avant d'installer le caisson de sous-graves (tel qu'illustré à la Fig. 14). Le ruban doit recouvrir les quatre coins. Retirez les couvercles de port en appuyant dessus (tel qu'illustré).

En tenant le caisson de sous-graves fermement, poussez-le dans le boîtier arrière en vous assurant d'aligner les trous de la partie supérieure du boîtier du caisson de sous-graves sur les trous de la partie supérieure du boîtier arrière. Vissez jusqu'à ce que le tout soit ferme, sans serrer. Continuez à tenir le caisson de sous-graves en alignant tous les trous inférieurs. Encore une fois, vissez jusqu'à ce que le tout soit ferme, sans serrer. Insérez les vis restantes. Serrez toutes les vis.



Fig. 15

INSTALLATION DANS LE MUR SANS BOÎTIER ARRIÈRE

IMPORTANT! INSTALLATION DU CAISSON DE SOUS-GRAVES DANS UN BOÎTIER ARRIÈRE PARADIGM^{MD}

Les instructions pour installer votre caisson de sous-graves dans un boîtier arrière sont fournies avec le boîtier arrière. Si vous n'avez plus les instructions, suivez les instructions sur la page précédente.

DURCISSEMENT ET RENFORCEMENT DE LA CAVITÉ

Bien que les systèmes de montage dans le mur de Paradigm^{MD} soient les plus rigides sur le marché, lorsque vous installez votre caisson de sous-graves directement dans un mur, nous vous recommandons ce qui suit pour éviter pour minimiser l'infiltration sonore :

Entretoise supplémentaire

L'ajout d'une entretoise croisée renforcera la cavité. Nous vous suggérons de placer deux ou trois morceaux de 2 x 4 po (davantage si l'application le permet) dans la cavité, espacés uniformément au-dessus et au-dessous de la découpe. Des entretoises supplémentaires peuvent également être placées en « sandwich » entre les montants et les solives de chaque côté du caisson de sous-graves.

Nouvelle construction

Les nouvelles constructions sont une excellente occasion de renforcer et de durcir la cavité à l'aide d'entretoises supplémentaires ou d'adhésifs de durcissement de catégorie de construction appliqués directement sur la cloison sèche. *(Consultez le revendeur pour obtenir de plus amples renseignements.)*

1. Montage

CONSEIL! L'ajout de matériel insonorisant dans la cavité pour être fait avant ou après l'installation du cadre de montage MDF. Consultez la sous-section « Matériel insonorisant et autres traitements acoustiques » à la page suivante.

- a) En gardant à l'esprit les recommandations ci-dessus, placez le gabarit de montage en carton sur le mur. Découpez le trou tel qu'indiqué (Fig. 12a).

Installation du cadre de montage MDF :

Le caisson de sous-grave Paradigm^{MD} Reference encastrable au mur est fourni avec un cadre de montage MDF. N'essayez PAS d'installer le cadre sur la partie extérieure du trou; il est conçu pour être placé derrière le trou, afin de fournir un soutien pour le poids du caisson de sous-graves.

- b) Enlevez le ruban à deux côtés (Fig. 12b).
- c) Insérez le cadre dans le trou du mur (Fig. 12c).

CONSEIL! Le cadre MDF est doté d'une butée de positionnement soulevée pour vous aider à l'aligner sur le trou. Placez le cadre pour que la butée soit en bas, face à vous. Inclinez légèrement le cadre pour faciliter son insertion dans le mur.

- d) En utilisant la butée comme guide, tirez le cadre vers vous pour qu'il s'aligne sur tous les côtés avec les rebords intérieurs du trou. La butée sortira du trou dans la partie inférieure (Fig. 12d).

CONSEIL! Poussez fermement le cadre sur l'intérieur du mur, en lissant chaque côté pour engager l'adhésif. Une fois que le ruban est collé sur le mur, il sera difficile de replacer le cadre; par conséquent, il est très important de bien le placer dès le début.

- e) Enlevez la butée de positionnement en retirant les vis qui le tiennent en place; jetez-le (Fig. 12e).
- f) Pour éviter les fuites d'air, appliquez du ruban à joint (compris) le long des quatre côtés du cadre MDF avant d'installer le caisson de sous-graves (tel qu'illustré à la Fig. 12f). Le ruban à joint doit couvrir les quatre coins.

INSTALLATION DANS LE MUR SANS BOÎTIER ARRIÈRE *(suite)*

1. Montage *(suite)*

Matériel d'insonorisation et autres traitements acoustiques

CONSEIL! Pour obtenir des résultats optimaux, ne compactez pas le matériel d'insonorisation pendant le processus. Des traitements insonorisants supplémentaires, (*tels que Dynamat^{MD}, consultez le revendeur pour obtenir de plus amples renseignements*) peuvent être utilisés sur le mur arrière de la cavité, ainsi que sur la partie avant intérieure du mur.

Insonorisation de la cavité :

Pour une performance optimale, placez, sans les compacter, un minimum de ...

- Deux morceaux d'une longueur de 20 cm (8 po) à 30 cm (12 po) d'isolant en fibre de verre standard dans le mur, de type R12 pour les murs à montants de 5 cm x 10 cm (2 po x 4 po) ou R20 pour les murs à montants de 5 cm x 15 cm (2 po x 6 po). Placez un morceau juste au-dessus et un autre juste au-dessous du trou découpé;
- Un morceau d'isolant de fibre de verre d'une demi-épaisseur et de la même hauteur que le caisson de sous-graves dans le mur, juste à l'arrière du trou découpé, en laissant assez d'espace pour que le caisson de sous-graves s'encastre dans la cavité.

2. Raccordement et installation

Vous pouvez maintenant procéder au raccordement et à l'installation du caisson de sous-graves. Si vous souhaitez **appairer la couleur** du caisson de sous-graves, faites-le avant de procéder à l'installation. Suivre les instructions à cet effet présentées ci-dessus.

Avec la grille enlevée et le support fixé à l'enceinte ...

Raccordement du caisson de sous-graves :

Raccordez le câble du caisson de sous-graves, tel qu'indiqué dans le manuel de l'utilisateur compris avec votre amplificateur de caisson de sous-graves Paradigm^{MD} (*vendu séparément*). Une fois raccordé ...

Installer le caisson de sous-graves (Fig. 12g) :

Laissez les couvercles de port en place. (Enlevez uniquement les couvercles si vous installez un boîtier arrière Paradigm^{MD} facultatif.)

IMPORTANT! L'installation dans une cloison sèche de 5/8 po exige un scellant supplémentaire autour des ports (Fig. 13).

En tenant le caisson de sous-graves fermement ...

- a) Insérez-le dans le cadre de montage, en vous assurant que les trous dans la partie supérieure du cadre MDF sont alignés sur les trous de la partie supérieure du cadre du caisson de sous-graves.
- b) Insérez les vis dans les trous supérieurs. Vissez jusqu'à ce que le tout soit ferme, sans serrer.
- c) Continuez à tenir le caisson de sous-graves fermement en alignant les trous inférieurs du cadre MDF sur les trous inférieurs du caisson de sous-graves. Encore une fois, vissez jusqu'à ce que le tout soit ferme, sans serrer.
- d) Insérez toutes les vis restantes, puis serrez les vis.

3. Installation de la grille

Poussez la grille dans la rainure située à l'avant du caisson de sous-graves (Fig. 15).

GARANTIE LIMITÉE

IMPORTANT! Les caissons de sous-graves couverts par ce manuel sont conçus pour être utilisés avec un amplificateur de caisson de sous-graves Paradigm^{MD} uniquement. L'utilisation avec un amplificateur de caisson de sous-graves d'une autre marque annulera la garantie de Paradigm^{MD}.

Les caissons de sous-graves Paradigm^{MD} sur lesquels porte le présent manuel sont garantis contre les défauts de matériaux et de fabrication pendant une période de **trois (3) ans** à compter de la date d'achat du matériel neuf.

Durant cette période, la réparation, le remplacement ou le réglage de pièces pour des défauts de matériaux ou de fabrication ne seront pas à la charge du premier acheteur.

Les dommages causés par l'exposition abusive à la chaleur ou l'usage abusif ne sont pas couverts par la présente garantie.

Clauses spécifiques :

- La garantie entre en vigueur à la date d'achat par le premier acheteur chez un revendeur autorisé Paradigm^{MD} seulement. La garantie n'est pas transférable;
- La garantie s'applique aux produits pour une utilisation résidentielle normale. Si le produit est assujéti à l'une des conditions définies dans la section suivante, la garantie est nulle;
- La garantie ne s'applique pas à un usage commercial ou professionnel.

La garantie est révoquée si :

- Le produit est assujéti à un usage abusif (accidentel ou intentionnel);
- Le produit est utilisé avec du matériel défectueux ou non adéquat;
- Le produit est soumis à des signaux électriques dommageables, un transport dangereux, des dommages mécaniques ou toute autre condition anormale;
- Le produit est modifié ou endommagé lors d'une réparation non autorisée;
- La plaque du numéro de série du produit est enlevée ou défigurée.

Responsabilités du propriétaire :

- Apporter un soin et un entretien normaux et jugés raisonnables;
- Assumer les frais de transport jusqu'à l'atelier de réparation;
- Fournir une preuve d'achat (conserver le reçu fourni lors de l'achat par le revendeur autorisé Paradigm^{MD} comme preuve de la date d'acquisition).

Si une réparation est nécessaire, communiquez avec le revendeur autorisé Paradigm^{MD} le plus proche de chez vous, Paradigm Electronics Inc. ou le distributeur à l'étranger (à l'extérieur du Canada et des États-Unis) pour planifier l'envoi prépayé du produit défectueux.

Consultez le site web www.paradigm.com pour obtenir de plus amples renseignements.

Paradigm Electronics Inc. se réserve le droit d'améliorer ou de modifier ses produits en tout temps sans responsabilité ou engagement envers les produits existants.

La présente garantie tient lieu de toute autre garantie, explicite ou implicite, de qualité marchande et d'adéquation pour tout usage particulier, et ne peut être élargie ou étendue par quiconque. En aucun cas Paradigm Electronics Inc. et ses représentants ou agents ne peuvent pas être tenus responsables de dommages découlant de l'utilisation de ces produits. Dans les endroits où une réglementation spécifique interdit une telle limitation de la responsabilité, cette exclusion ne s'applique pas.

Conserver le présent manuel et le reçu comme preuves d'achat et de garantie.

NOTES / REMARQUES

NOTES / REMARQUES

Paradigm[®]

www.paradigm.com

Free Manuals Download Website

<http://myh66.com>

<http://usermanuals.us>

<http://www.somanuals.com>

<http://www.4manuals.cc>

<http://www.manual-lib.com>

<http://www.404manual.com>

<http://www.luxmanual.com>

<http://aubethermostatmanual.com>

Golf course search by state

<http://golfingnear.com>

Email search by domain

<http://emailbydomain.com>

Auto manuals search

<http://auto.somanuals.com>

TV manuals search

<http://tv.somanuals.com>