

Hotwire 5038 Distributed POTS Splitter Customer Premises Installation Instructions

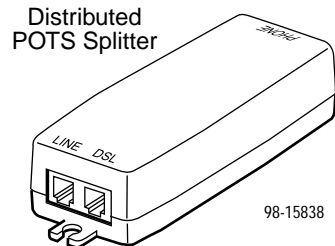
Document Number 5038-A2-GN10-00

February 1998

Before You Begin

The 5038 Distributed POTS (Plain Old Telephone Service) Splitter works in conjunction with a Remote Termination Unit (RTU). Verify that the local loop is connected to the POTS/DSL network.

For RADSL (Rate Adaptive Digital Subscriber Line) RTU installation information, refer to the appropriate RTU document:



Document Number	Document Title
5216-A2-GN10	<i>Hotwire 5216 Remote Termination Unit (RTU) Customer Premises Installation Instructions</i>
5246-A2-GN10	<i>Hotwire 5246 Remote Termination Unit (RTU) Customer Premises Installation Instructions</i>
5446-A2-GN10	<i>Hotwire 5446 Remote Termination Unit (RTU) Customer Premises Installation Instructions</i>
5620-A2-GN10	<i>Hotwire 5620 Remote Termination Unit (RTU) Customer Premises Installation Instructions</i>

Contact your sales or service representative to order additional product documentation. Paradyne documents are also available on the World Wide Web at:

<http://www.paradyne.com>

Select *Service & Support* → *Technical Manuals*

Package Checklist

Verify that your package contains the following:

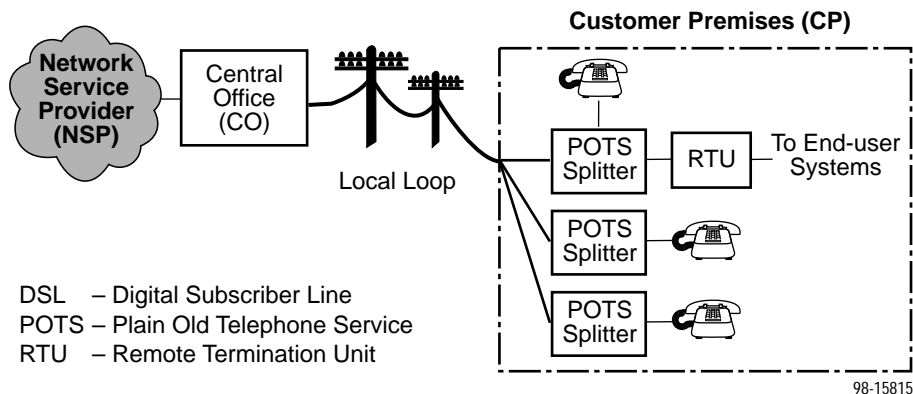
- Model 5038 Distributed POTS Splitter
- Local loop interface cable

What Does the 5038 Distributed POTS Splitter Do?

The 5038 Distributed POTS Splitter and Hotwire Remote Termination Unit (RTU) are components in the RADSL Access System. This system provides high-speed Internet or corporate LAN access over traditional twisted-pair copper telephone wiring.

The POTS splitter blocks out the DSL signal and allows the POTS frequencies to pass through. At the customer premises, the RADSL RTU and telephone can function simultaneously over the same pair of copper wires when a POTS splitter is used for the RTU and each telephone on the same POTS line.

Copper pairs run from the central office (CO) to the customer premises (CP) to create the local loop. The local loop terminates on the customer premises.



DSL – Digital Subscriber Line
POTS – Plain Old Telephone Service
RTU – Remote Termination Unit

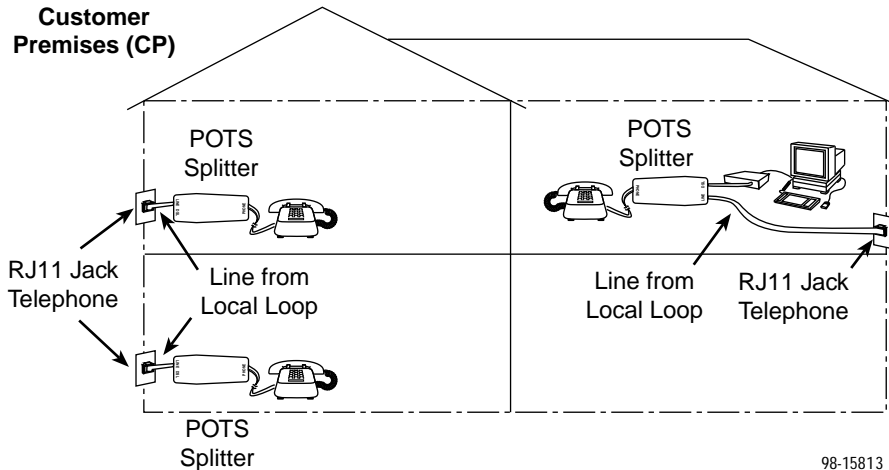
NOTES:

- The RTU network performance will depend on the quality and condition of the phone wiring to and inside the customer premises.
- Telephone is used to represent any equipment that plugs into a phone jack and uses the POTS phone line, such as a phone, modem, or fax machine.
- A distributed POTS splitter is required for every phone outlet that has telephone equipment attached.

Installing the POTS Splitter Without an RTU

Each POTS splitter connected to a phone without an RTU uses two cables with RJ11 connectors. The two cables are installed:

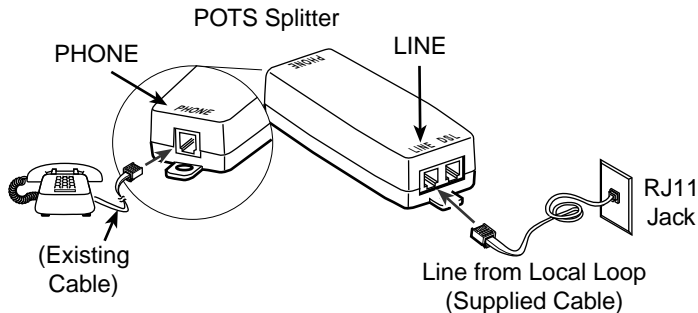
- From the Local Loop to the POTS splitter (supplied cable)
- From the POTS splitter to the telephone (existing cable)



► Procedure

To connect a POTS splitter to a phone without an RTU:

1. Unplug the existing cable from the local loop to the telephone.
2. Plug the existing cable into the POTS splitter jack labeled PHONE.
3. Plug one end of the supplied cable into the POTS splitter jack labeled LINE. Plug the other end into the line from the local loop.



Installing the POTS Splitter With an RTU

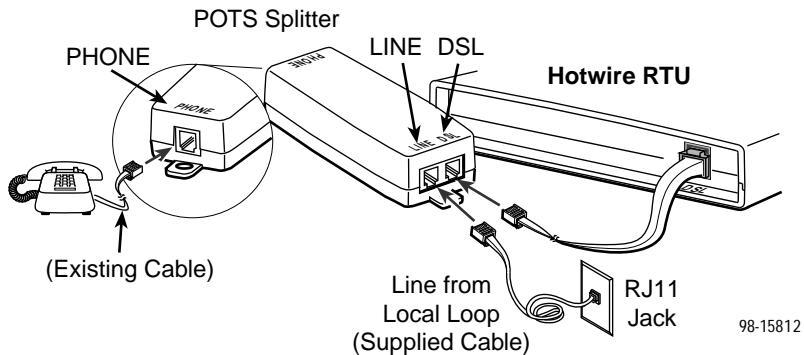
The POTS splitter connected to the RTU uses three cables with RJ11 connectors. The three cables are installed:

- From the Local Loop to the POTS splitter (supplied cable)
- From the POTS splitter to the telephone (existing cable)
- From the POTS splitter to the RADSL RTU (cable supplied with the RTU)

► Procedure

To connect a POTS splitter to a phone and an RTU:

1. Unplug the existing cable from the local loop.
2. Plug the existing cable into the POTS splitter jack labeled PHONE.
3. Plug the end of the cable supplied with the RTU into the POTS splitter jack labeled DSL. Plug the other end into the RTU jack labeled DSL.
4. Plug the end of the cable supplied with the POTS splitter into the POTS splitter jack labeled LINE. Plug the other end into the line from the local loop.



Optional Alternative Placement

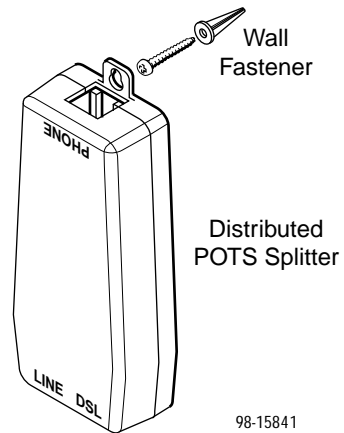
The POTS splitter is designed for tabletop placement. The POTS splitter can also be mounted on a wall. To mount a POTS splitter on the wall, you will need:

- Two #6 self-threading screws with molly bolts for each housing
- Drill and 3/16" drill bit for the molly bolt
- Screwdriver

► Procedure

To mount the POTS splitter:

1. Use a drill to install the plastic anchors.
2. Use a screwdriver to install the screws.
Leave enough clearance for quick removal of the POTS splitter housing.



5038 Distributed POTS Splitter Technical Specifications

Item	Specification*
Height x Width x Depth	1.24" x 1.87" x 4.78" (3.14 cm x 4.75 cm x 12.13 cm)
Weight	3.4 ounces (96.4 grams)
Approvals	
FCC Part 68	Refer to the equipment's label for Registration Number.
Safety Certifications	Refer to the equipment's label for approvals on product.
Physical Environment	
Operating temperature	32° F to 140° F (0° C to 60° C)
Storage temperature	-40° F to 158° F (-40° C to 70° C)
Relative humidity	5% to 95% (noncondensing)
Shock and vibration	Withstands normal shipping and handling
Interface Connectors	Three 6-pin, non-keyed RJ11 modular plugs
* Technical Specifications subject to change without notification.	

Important Safety Instructions

1. Read and follow all warning notices and instructions marked on the product or included in the manual.
2. This product is intended to be connected to Listed/Certified telephone wiring with a minimum of 24 AWG (.5 mm) behind a Listed/Certified primary protector.
3. Do not attempt to service this product yourself, as opening or removing covers may expose you to dangerous high-voltage points or other risks. Refer all servicing to qualified service personnel.
4. When installed in the final configuration, the product must comply with the applicable Safety Standards and regulatory requirements of the country in which it is installed. If necessary, consult with the appropriate regulatory agencies and inspection authorities to ensure compliance.
5. In addition, since the equipment is to be used with telecommunications circuits, take the following precautions:
 - Never install telephone wiring during a lightning storm.
 - Never install telephone jacks in wet locations unless the jack is specifically designed for wet locations.
 - Never touch uninsulated telephone wires or terminals unless the telephone line has been disconnected at the network interface.
 - Use caution when installing or modifying telephone lines.
 - Avoid using a telephone (other than a cordless type) during an electrical storm. There may be a remote risk of electric shock from lightning.
 - Do not use the telephone to report a gas leak in the vicinity of the leak.

Notice to Users of the Telephone Network

This equipment complies with Part 68 of the FCC rules. On the bottom of the equipment's enclosure is a label that contains, among other information, the FCC registration number and ringer equivalence number (REN) for this equipment. If requested, this information must be provided to the telephone company.

This equipment is designed to be connected to the telephone network or premises wiring using compatible modular plugs and jacks which are Part 68 compliant. Refer to *Before You Begin*, page 1, for details.

The REN is used to determine the quantity of devices which may be connected to the telephone line. Excessive RENs on the telephone line may result in the devices not ringing in response to an incoming call. In most, but not all areas, the sum of RENs should not exceed five (5.0). To be certain of the number of devices that may be connected to a line, as determined by the total RENs, contact the local telephone company.

If the Model 5038 Telephone Line Filter causes harm to the telephone network, the telephone company will notify you in advance that temporary discontinuance of service may be required. But if advance notice is not practical, the telephone company will notify the customer as soon as possible. Also, you will be advised of your right to file a complaint with the FCC if you believe it is necessary.

The telephone company may make changes in its facilities, equipment, operations or procedures that could affect the operation of the equipment. If this happens, the telephone company will provide advance notice in order for you to make necessary modifications to maintain uninterrupted service.

If trouble is experienced with the Telephone Line Filter, for repair or warranty information, please refer to *Warranty, Sales, and Service Information*.

No repairs may be performed by the end user.

The equipment can not be used on public coin phone service provided by the telephone company. Connection to party line service is subject to state tariffs. Contact the state public utility commission, public service commission or corporation commission for information.

Warranty, Sales, and Service Information

Contact your local sales representative, service representative, or distributor directly for any help needed. For additional information concerning warranty, sales, service, repair, installation, documentation, training, distributor locations, or Paradyne worldwide office locations, use one of the following methods:

- **Via the Internet:** Visit the Paradyne World Wide Web site at:
<http://www.paradyne.com>
- **Via Telephone:** Call our automated call system to receive current information via fax or to speak with a company representative.
 - Within the U.S.A., call 1-800-870-2221
 - Outside the U.S.A., call 1-727-530-2340



5038-A2-GN10-00

Free Manuals Download Website

<http://myh66.com>

<http://usermanuals.us>

<http://www.somanuals.com>

<http://www.4manuals.cc>

<http://www.manual-lib.com>

<http://www.404manual.com>

<http://www.luxmanual.com>

<http://aubethermostatmanual.com>

Golf course search by state

<http://golfingnear.com>

Email search by domain

<http://emailbydomain.com>

Auto manuals search

<http://auto.somanuals.com>

TV manuals search

<http://tv.somanuals.com>