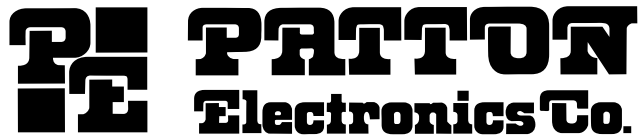


Doc #: 102001UA
Part #: 07M3060/V24-A



DIGITAL BRIDGE

3060/V24

(CTS MD-V.24/TCB)

INSTALLATION AND OPERATIONS MANUAL

January 4, 2000



*An ISO-9001
Certified Company*

Copyright © 2000 Patton Electronics Co., All Rights Reserved.

COPYRIGHT NOTICE

Copyright © 2000 Patton Electronics Co., All Rights Reserved.

PROPRIETARY NOTICE

The information contained herein is proprietary and confidential to Patton Electronics Co. Any reproduction or redistribution of this publication, in whole or in part, is expressly prohibited unless written authorization is given by Patton Electronics Co.

WARRANTY NOTICE

WARRANTIES: Patton Electronics Co. (hereafter referred to as Patton) warrants that its equipment is free from any defects in materials and workmanship. The warranty period shall be two years from the date of shipment of equipment. Patton's sole obligation under its warranty is limited to the repair or replacement of the defective equipment, provided it is returned to Patton, transportation prepaid, within a reasonable period. This warranty will not extend to equipment subjected to accident, misuse, alterations or repair not made by Patton or authorized by Patton in writing.

PUBLICATION NOTICE

This manual has been compiled and checked for accuracy. The information in this manual does not constitute a warranty of performance. Patton reserves the right to revise this publication and make changes from time to time in the content thereof. Patton assumes no liability for losses incurred as a result of out-of-date or incorrect information contained in this manual.

EMISSION REQUIREMENTS

FCC CLASS A

Warning: Changes or modifications to this unit not expressly approved by the party responsible for compliance could void the user's authority to operate the equipment.

NOTE: This equipment has been tested and found to comply with the limits for a Class A digital device, pursuant to Part 15 of FCC rules. These limits are designed to provide reasonable protection against harmful interference when the equipment is operated in a commercial environment. This equipment generates, uses, and can radiate radio frequency energy and, if not installed and used in accordance with the instruction manual, may cause harmful interference to radio communications. Operation of this equipment in a residential area is likely to cause harmful interference in which case the user will be required to correct the interference at his own expense.

CANADIAN EMISSIONS

This digital apparatus does not exceed the Class A limits for noise emissions from a digital apparatus set out in the Radio Interference Regulations of the Canadian Department of Communications.

Le present appareil numerique n'emet pas de bruits radioelectriques depassant les limites applicables aux appareils numeriques de la Class A prescrites dans le Reglement sur le brouillage radioelectrique edicte par le ministere des Communications du Canada.

Contents

CHAPTER 1 - OPERATION

Channel Clocking.....	1-1
Fallback Clocking.....	1-1
Channel Interface	1-1
Anti-streaming.....	1-2
Channel Selection Modes	1-3
Channel Tail Circuits	1-4
Interface Connections	1-4
Front Panel LEDs	1-4
Channel Enable / Disable Switches	1-4
Power Supply.....	1-4

CHAPTER 2 - SETUP AND INSTALLATION

Power Connection	2-1
Factory Configuration Switch Settings	2-1
Disassembly	2-2
Installation.....	2-2
Equipment Grounding (SW21-8).....	2-2
RTS To CTS Delay (SW22-1,2,3)	2-3
Anti-Streaming (SW21-1,2,3)	2-3
Receive Data Mode (SW23-4)	2-3
Control Turn-Off Delay in "DATA" Switching Mode (SW23-1,2)	2-4
Switch on Data / Control (SW25-1,2,3,4,5,6).....	2-4
Internal Baud Rates (SW22-4,5,6,7)	2-4
Fallback Clock Enable (SW-23-5)	2-5
Fallback Clocking From Sub-Channel 6 (SW22-4,5,6).....	2-5
Fallback Mode Selection (SW23-6).....	2-5
TX Clock Source Selection (SW21-4,5,6)	2-5
TX Clock Pin Selection (SW21-7)	2-5
RX Clock Source Selection (SW24-1,2,3)	2-6
Tail Circuit Buffers (SW22-8)	2-6
Port DCE/DTE Selection (SW7 thru SW20)	2-6
Test Voltage Enable Pins 9 & 10 (JP4 & JP5)	2-7
DTR / DSR Forced Active (JP6 thru JP12)	2-7
FACTORY Test Jumpers (JP1, JP2 and JP3).....	2-8

APPENDIX

Typical Application.....	A-1
Typical Tail Circuit Configuration	A-1
Interface Pins Supported	A-1
Master DTE / Sub-Channel DTE Interface Flow Diagram	A-2
Master DTE / Sub-Channel DCE Interface Flow Diagram	A-2
Master DCE / Sub-Channel DTE Interface Flow Diagram	A-3
Master DCE / Sub-Channel DCE Interface Flow Diagram	A-3
TECHNICAL SPECIFICATIONS	A-4

CHAPTER 1 - OPERATION

The Patton 3060/V24 (MD-V.24/TCB) is a network enhancement accessory intended for high speed synchronous or asynchronous RS-232 modem, or port sharing applications. The 3060/V24 (MD-V.24/TCB) allows for immediate expansion of a system without the requirement of additional communication lines. The 3060/V24 (MD-V.24/TCB) allows any combination of up to six RS-232 DCE or DTE devices to share a single RS-232 DCE or DTE high speed link in a point-to-point or multi-point polled network.

Channel Clocking

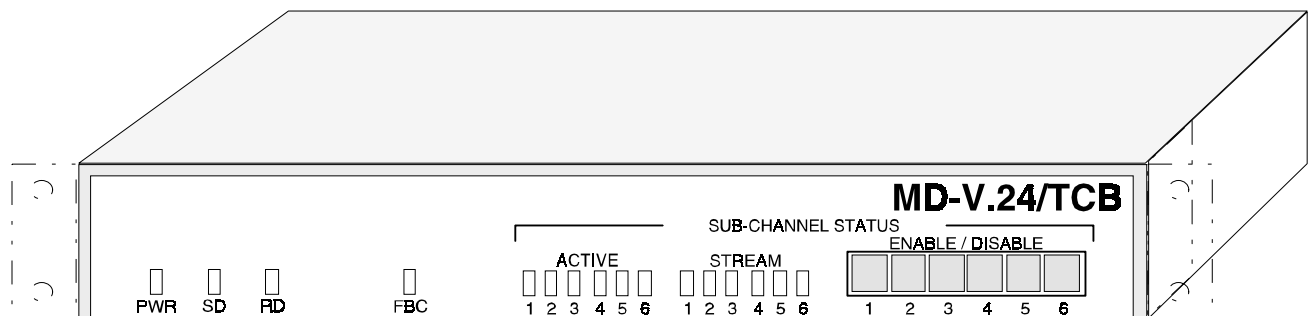
The Patton 3060/V24 (MD-V.24/TCB) is protocol transparent and operates in synchronous and asynchronous environments at data rates up to 76,800bps, depending on cable length and attached equipment. Clocking can be derived from the Master Port clock, (pins 15 or 24 for TXC and 17 for RXC), the internal clock generator or any Sub-Channel clock, (pins 15 or 24 for TXC and 17 for RXC).

Fallback Clocking

In the event of loss of an externally provided clock or optionally Sub-Channel 1 DCD becoming inactive, the 3060/V24 (MD-V.24/TCB) has the ability to automatically fall back to the predetermined internal baud rate clock or the Sub-Channel 6 RX Clock (pin 17).

Channel Interface

The 3060/V24 (MD-V.24/TCB) has seven DB-25 female connectors located on the rear of the unit. Each port is DCE/DTE selectable, which eliminates the need for crossover cables. DSR or DTR can additionally be forced to the active state individually on each Sub-Channel by Jumper control.



Anti-streaming

A typical problem often encountered is a “*STREAMING*” remote terminal. The streaming problem can tie up an entire circuit until the offending device has recovered or is powered down. A streaming condition occurs when a Sub-Channel remains active, disrupting the polling sequence. The 3060/V24 (MD-V.24/TCB) provides two user selectable modes of controlling a streaming condition, an automatic anti-streaming Abort Timer with eight selectable block lengths and a setting to disable anti-streaming for large data block transfers, and a manual Operator Control mode (front panel push button switch).

Automatic Anti-Streaming - Automatic Anti-streaming will block the asserted control signal from the Sub-Channel Port, releasing the 3060/V24 (MD-V.24/TCB) to accept requests from any other Sub-Channel that has not been locked out due to a streaming condition. When a Sub-Channel is locked out for streaming, a visual indication, by Sub-Channel, is provided on the front panel. *The Sub-Channel will no longer receive data or CTS from the Master Port. Any data sent to the Master Port by the streaming device will be lost.* Once a Sub-Channel is locked out due to streaming, the Sub-Channel will remain locked out until the attached device removes the streaming condition. If RTS is held active, RTS must become inactive, if continuous data transitions have triggered the Anti-Stream logic, the transitions must stop before the 3060/V24 (MD-V.24/TCB) will clear the Anti-Stream logic to that Sub-Channel. Removing the Sub-Channel via the front panel disable switch will not clear the Anti-stream logic for a Sub-Channel once it has been activated.

Manual Anti-Stream - A streaming condition caused by one of the attached terminals can be quickly corrected by the Patton 3060/V24 (MD-V.24/TCB) via the associated front panel locking switches. A switch is provided for each Sub-Channel and permits the rapid removal of a streaming terminal without having to disconnect any cables or power down the offending terminal. Terminals may be selectively removed for self-test and maintenance without affecting the remaining Sub-Channels. Once the streaming condition has been corrected, the front panel switch is simply depressed to the locked (Enable) position (Green indicator **ON**) to re-establish normal operation. Removing a Sub-Channel with the front panel switch will block data from the Sub-Channel going to the Master Port but will not block data going from the Master Port to the Sub-Channel as the Automatic Anti-Stream option did.

Channel Selection Modes

The Patton 3060/V24 (MD-V.24/TCB) provides two selectable Sub-Channel service modes of operation, the Scanning Mode and Priority Mode. Depending on system requirements, either mode may be selected by internal DIP switch settings. Both modes switch on activity from the Sub-Channel.

In the Scanning Mode the Patton 3060/V24 (MD-V.24/TCB) scans each Sub-Channel, in sequence, beginning with Sub-Channel 1. This rotational sequence is repeated continually with each attached Sub-Channel having equal access to the communications link. When data or control lines from a Sub-Channel become active that Sub-Channel is switched through to the master port by the 3060/V24 (MD-V.24/TCB). All remaining Sub-Channels are locked out until the first device becomes inactive. When the Sub-Channel device becomes inactive, the 3060/V24 (MD-V.24/TCB) will resume scanning the Sub-Channels for another active signal.

When configured for Priority Mode operation, the Patton 3060/V24 (MD-V.24/TCB) monitors all Sub-Channels simultaneously with Sub-Channel 1 having the highest priority. When a Sub-Channel becomes inactive, the 3060/V24 (MD-V.24/TCB) will automatically default to the highest priority (lowest number) Sub-Channel with activity.

Contention for the Master port is accomplished by asserting RTS (Request to Send) if the Sub-Port is configured as a DCE, DCD (Data Carrier Detect) if the Sub-Port is configured as a DTE or Data Transitions from the attached Sub-Channel devices in either configuration. The active interface lead, RTS or DCD, as well as selection of contention mode, "*Data Transitions*" or "*Interface Lead*" activation, can be selected on an individual basis for each Sub-Channel. Once a Sub-Channel asserts an active control signal the control signal will be passed through to the Master Port, depending on DTE / DCE configuration of the Sub-Channel and Master Port. This control will be passed without delays. If the Master Port is configured as a DTE the signal will be passed as RTS. The CTS returned to the Master will have an optional delay added before the signal is returned to the Sub-Channel port.

Port Enable / Disable, front panel switches must be pushed in (**GREEN** indication) for a Sub-Channel to access the Master Port regardless of the mode of operation selected.

Channel Tail Circuits

A buffer is built into the unit for tail circuit (DCE to DCE) applications. An 8 bit centered ring buffer is used to correct the clock phasing errors generated between the Modem on the Master Port and the Sub-Channel port for the data transferred from the Sub-Channel to the Master Port. If the unit is operated in an asynchronous environment the buffer must be bypassed. This is accomplished by moving the **SYNC/ASYNC** switch to **ASYNC**.

Interface Connections

All connections are made via industry standard EIA RS-232 DB-25 female connectors located on the rear of the unit. The Following interface leads are implemented, Chassis (1), TXD (2), RXD (3), RTS (4), CTS (5), DSR (6), Sig Gnd (7), DCD (8), Plus Unreg (9), Minus Unreg (10), TXC (15), RXC (17), DTR (20), XTXC (24). Pins 9 & 10 can be disabled by Jumpers on the PCB.

Front Panel LEDs

Front panel LEDs are provided to indicate power is applied, RXD and TXD activity from the Master Port, Sub-Channel activity of each individual Port, Anti-Stream condition of each Sub-Channel and an indication of clock Fallback condition.

Channel Enable / Disable Switches

Front panel switches allow operator intervention to remove an individual Sub-Channel from accessing the Master Port. Positive latching type switches are provided for each Sub-Channel port for isolating or removing a streaming terminal. The Sub-Channel is activated by pushing the switch until it is in the "**IN**" position. The switch will indicate **GREEN** in color. To disable a Sub-Channel push the switch until it locks in the "**OUT**" position, the switch will indicate **BLACK** in color. Disabling a Sub-Channel with the front panel does not prevent the Sub-Channel from receiving data from the Master Port only from sending data to the Master Port.

Power Supply

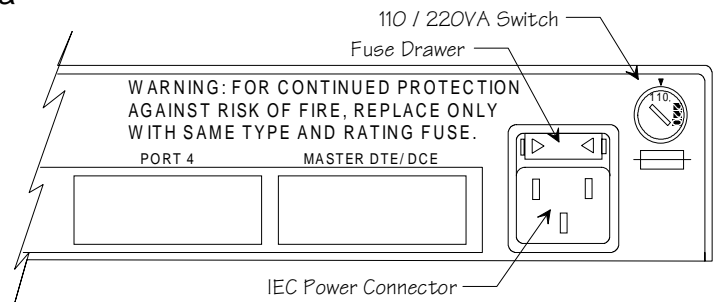
A linear power supply is located internally, an external 110/220VA switch is located on the rear of the unit. If chassis ground and signal ground need to be tied together this can also be accomplished by switch selection. The unit is Rackmountable for 19" or 23" cabinets, by ordering an optional Rackmount Kit. Safety approvals granted are UL, CSA and TÜV as well as emission approval for FCC Class A.

Caution, Disconnect the POWER Before Removing The Cover
Vorsicht, Befor Deckung Abnehmen Mach Strom Zu.

CHAPTER 2 - SETUP AND INSTALLATION

Power Connection

Before connecting the 3060/V24 (CTS MD-V.24/TCB) to a AC power source the top cover must be installed and secured with the supplied #8-32 screws. The unit is supplied with a 110/220VA voltage switch, turn the switch with a coin or screw driver to the appropriate voltage for your country. **EXAMPLE:** In the United States of America; set to 110VA. The unit is supplied with a IEC power connector next to the voltage select switch, plug the power cord into the connector until it is firmly seated. You may now connect the power cord into your AC outlet.



Factory Configuration Switch Settings

The 3060/V24 (CTS MD-V.24/TCB) is configured prior to shipment with the switches set to the following default positions:

Switch 21 - 1,2,3 and 8 to **OFF**, 4, 5, 6 and 7 to **ON**.

Anti-Stream timer = 2 M bits
 TX Clock Source = Master pin 15
 Chassis Ground not connected to Signal Ground

Switch 22 - 4 and 5 to **OFF**, 1, 2, 3, 6, 7 and 8 to **ON**.

CTS Delay = 0
 Internal Baud Rate = 9600
 Sync Mode

Switch 23 - 1, 2, 3 and 4 to **OFF**, 5 and 6 to **ON**.

No Data Time Out = 2048 bits
 Anti-Stream = Disabled
 Broadcast Data to Sub-Channels
 Fallback Clock = Disabled
 Fallback Clock Source = Data Transitions

Switch 24 - All to ON

RX Clock Source = Master
Contention Mode = Priority

Switch 25 - All to ON

Sub-Channel Activity Indicated by Interface Control (RTS/DCD)

If the system application requires one or more of the default settings to be changed, it will be necessary to remove the top cover of the enclosure to access and change the DIP switches located on the printed circuit board.

Disassembly

Remove the top cover by removing the phillips head screws located on the left and right sides of the 3060/V24 (CTS MD-V.24/TCB). DTE/DCE switches SW7 through SW20, interface Jumpers J4 through J12 and configuration switches SW21 through SW25 are located on the PCB as indicated on the strapping guide in the Appendix of this manual. After the switch selection activity is completed, ***re-install the top cover BEFORE connecting to a AC power source.***

Installation

Select an appropriate location accessible to and within six feet of an AC power outlet, the outlet must have a ground pin receptacle for product warranty. The DCE-to-DTE cabling between each attached device and the 3060/V24 (CTS MD-V.24/TCB) should be "Straight Through", shielded and terminated with male connectors. Sub-Channels are marked PORT 1 through PORT 6, the Master Port is marked, MASTER DCE/DTE. If any terminal has a priority service mode, ensure it is connected to the port connector designated "PORT 1" on the rear panel of the 3060/V24 (CTS MD-V.24/TCB). Secure other terminals or Modems to be serviced to the remaining "PORT" connectors. Connect the MODEM or TERMINAL to the connector designated "MASTER DTE/DCE".

Equipment Grounding (SW21-8)

Switch SW21-8 provides for grounding interconnection in those systems requiring a connection between (Frame Ground) and (Signal Ground). Connect ONLY if required.

RTS To CTS Delay (SW22-1,2,3)

If a CTS delay is desired, set SW22-1, 2 and 3 to the required value as indicated below.

SW22-1	SW22-2	SW22-3	Time
ON	ON	ON	No Delay
OFF	ON	ON	1mS
ON	OFF	ON	2mS
OFF	OFF	ON	4mS
ON	ON	OFF	9mS
OFF	ON	OFF	18mS
ON	OFF	OFF	36mS
OFF	OFF	OFF	72mS

Anti-Streaming (SW21-1,2,3)

The maximum data block size is user selectable via switch SW21- 1, 2 and 3. As shown below eight block sizes are provided to the user. To disable anti-streaming set SW23-3 to the **OFF** position. The maximum block size is normally defined at the time of installation.

SW21-1	SW21-2	SW21-3	CLOCKS
ON	ON	ON	1024
OFF	ON	ON	2048
ON	OFF	ON	4096
OFF	OFF	ON	16 K
ON	ON	OFF	64 K
OFF	ON	OFF	256 K
ON	OFF	OFF	1 MEG
OFF	OFF	OFF	2 MEG

Receive Data Mode (SW23-4)

Setting switch SW23-4 to **ON** sets the 3060/V24 (CTS MD-V.24/TCB) into the Gated Mode. Only the Sub-Channel that is currently active will receive the data from the master port. Setting position 4 to **OFF** enables the Broadcast mode. Receive Data from the Master Port is sent to all Sub-Channels.

Control Turn-Off Delay in "DATA" Switching Mode (SW23-1,2)

When configured to switch on DATA, switch SW23-1 and 2 set the Sub-Channel release time in clocks. The value selected is the number of clocks at the current baud rate that must occur without any data transitions on the Sub-Channel to indicate that Sub-Channel has completed its transmission and the 3060/V24 (CTS MD-V.24/TCB) can resume servicing the other Sub-Channels. The following table should be used to set this time period.

SW23-1	SW23-2	CLOCKS
ON	ON	16
ON	OFF	64
OFF	ON	256
OFF	OFF	2048

Switch on Data / Control (SW25-1,2,3,4,5,6)

Each sub-channel is independently selectable for switch on data or switch on an active interface control lead. Set SW25 pos 1 to **OFF** if sub-channel 1 switch on Data is required. Set pos 1 to **ON** if switch on interface control lead is desired. Position 2 thru 6 are associated with sub-channels 2 thru 6.

Internal Baud Rates (SW22-4,5,6,7)

Switch SW22-4, 5, 6 and 7 select the master clock rate when Internal Clock Source is selected on TX Clock Source or RX Clock Source. In addition the Fallback clock rate is also selected with this option. When Fallback clocking is required, the RX Clock Source and TX Clock Source should not be set to **INTERNAL**. Selecting CHAN 6 RXC allows Fallback clocks to originate from Sub-Channel 6 pin 17. The following table shows the available rates. If CHAN 6 RXC is selected, SW22-7 can be in either position.

SW22-4	SW22-5	SW22-6	Pos 7=ON	Pos 7=OFF
ON	ON	ON	76,800	57,600
OFF	ON	ON	38,400	28,800
ON	OFF	ON	19,200	14,400
OFF	OFF	ON	9,600	7,200
ON	ON	OFF	4,800	3,600
OFF	ON	OFF	2,400	1,800
ON	OFF	OFF	1,200	900
OFF	OFF	OFF	CHAN 6 RXC	

Fallback Clock Enable (SW-23-5)

If Clock Fallback is required when the primary clock fails, set switch SW23-5 to **OFF**. If Fallback is not required set SW23-5 to **ON**. The Fallback clock rate is selected with the internal baud rate option. When the Fallback is activated the FBC LED will illuminate.

Fallback Clocking From Sub-Channel 6 (SW22-4,5,6)

To use the Sub-Channel 6 RX Clock as the Fallback clock set SW22-4, 5 and 6 to **OFF**. Any other position will select some internal clock rate as called out in the Internal Clock Rate selection section.

Fallback Mode Selection (SW23-6)

If Fallback is required, two modes are available via switch SW23-6. To Fallback when the transitions from the primary clock source stop, set SW23-6 to **ON**. To Fallback when DCD on Sub-Channel 1 becomes inactive, set SW23-6 to **OFF**.

NOTE: Both TX and RX Clock Source Select MUST Be Set !!!!

TX Clock Source Selection (SW21-4,5,6)

TX Clock Source is selected by switch SW21-4, 5 and 6. The following table indicates the source options provided by the 3060/V24 (CTS MD-V.24/TCB). When using the unit in Async Mode, the **INTERNAL** clock source must be selected.

SW21-4	SW21-5	SW21-6	Source
ON	ON	ON	Master
OFF	ON	ON	Port 1
ON	OFF	ON	Port 2
OFF	OFF	ON	Port 3
ON	ON	OFF	Port 4
OFF	ON	OFF	Port 5
ON	OFF	OFF	Port 6
OFF	OFF	OFF	Internal

TX Clock Pin Selection (SW21-7)

The primary transmit clock can be derived from either pin 15 or 24. If pin 15 is to be the source for primary TX Clock, set SW21-7 to **ON**. If pin 24 is to be the source for primary TX & RX Clock, set SW21-7 to **OFF**.

RX Clock Source Selection (SW24-1,2,3)

RX Clock Source is selected by SW24-1, 2 and 3. The following table indicates the source options provided by the 3060/V24 (CTS MD-V.24/TCB). If the TXC source is pin 24, both RXC and TXC will be sourced from pin 24. When the unit is used in an Async network select **INTERNAL** as the source of the RX Clock.

SW24-1	SW24-2	SW24-3	Source
ON	ON	ON	Master
OFF	ON	ON	Port 1
ON	OFF	ON	Port 2
OFF	OFF	ON	Port 3
ON	ON	OFF	Port 4
OFF	ON	OFF	Port 5
ON	OFF	OFF	Port 6
OFF	OFF	OFF	Internal

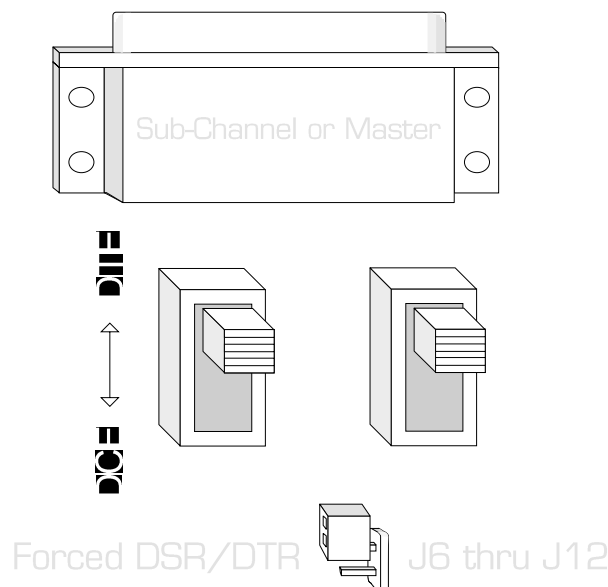
Tail Circuit Buffers (SW22-8)

The 3060/V24 (CTS MD-V.24/TCB) has a Tail Circuit Buffer that is automatically selected when a Sub-Channel is set as a DTE. The buffer will provide clock synchronization of the data from the Sub-Channel to the Master Port for Tail Circuit operations. The buffer is de-activated when the Sub-Channel is configured as a DCE. When operating in an asynchronous environment the Buffer must be bypassed. To bypass the buffer in a synchronous or asynchronous application, set switch SW22-8 to **OFF** (ASYNC). For normal operation in a synchronous environment set SW22-8 to **ON** (SYNC). When using a tail circuit modem with the 3060/V24 (CTS MD-V.24/TCB), the modem connected to the Sub-Channel, should be set to External Transmit Clocking. The modem at the remote end of the connection should be set to RX-TX Clocking or Slaved TX Clock. This will insure the same clock is present throughout the network and clock slippage will not occur.

Port DCE/DTE Selection (SW7 thru SW20)

Slide switches SW7 through SW20 are used to configure DTE/DCE for each port. Slide **Both** switches associated with a port to the same position. *Example:* If connecting a modem (DCE Device) to the PORT, then the port should be configured as a DTE interface. Slide both switches to the DTE position toward the interface connector. If connecting a terminal (DTE) to the Sub-Channel, the port should be configured as a DCE. Slide both switched to the DCE position away from the interface connector. The port is always configured opposite to the interface that is to be connected to it. When a port is selected as a DCE, pin 9 and 10 test voltages are provided to the interface connector if JP4 and JP5 are installed. If the port is

configured as a DTE, pins 9 and 10 are open. JP4 and JP5 control Plus Unreg and Minus Unreg to all Sub-Channels, therefore it is not possible to have test power on one DCE without having it on all DCE Sub-Channels.



Test Voltage Enable Pins 9 & 10 (JP4 & JP5)

Pin 9 and Pin 10 unregulated power is provided on each DB-25 connector configured as a DCE if JP4 and JP5 are installed. Pin 9 and 10 unregulated power is not provided to any connector configured as a DTE regardless of JP4 and JP5 installation.

DTR / DSR Forced Active (JP6 thru JP12)

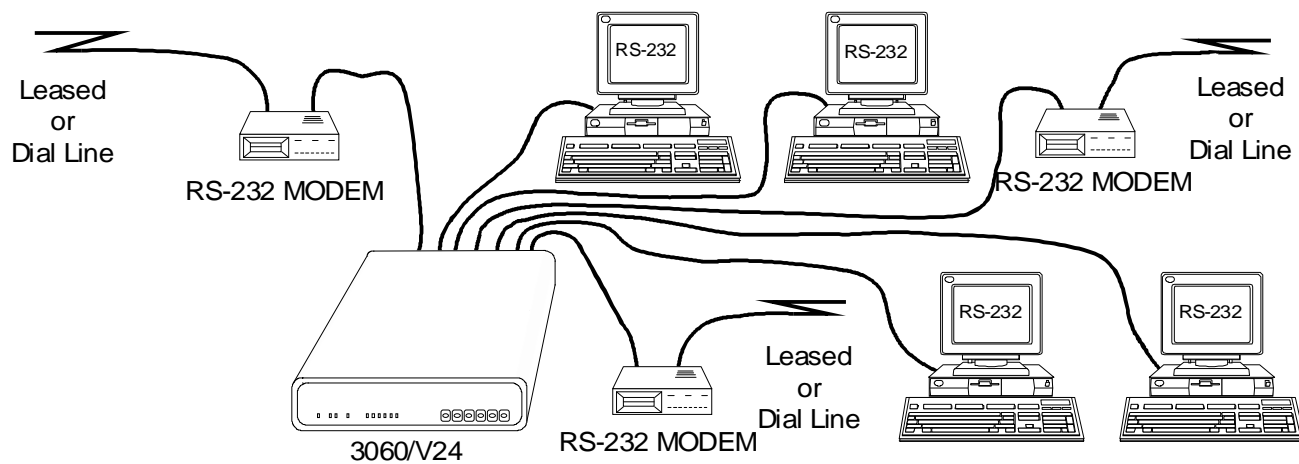
DTR is tied to DSR on each of the Sub-Channel ports. If the device connected does not supply a DTR but requires DSR (DTE) or does not supply DSR but requires DTR (DCE), installing the forced DTR/DSR jumper (JP6-JP12) for the appropriate Sub-Channel will solve this problem. The line is forced to +8V via an 820Ω resistor, providing isolation to any driver that might be on the interface.

Channel	Jumper	Channel	Jumper
Master	JP6	4	JP10
1	JP7	5	JP11
2	JP8	6	JP12
3	JP9		

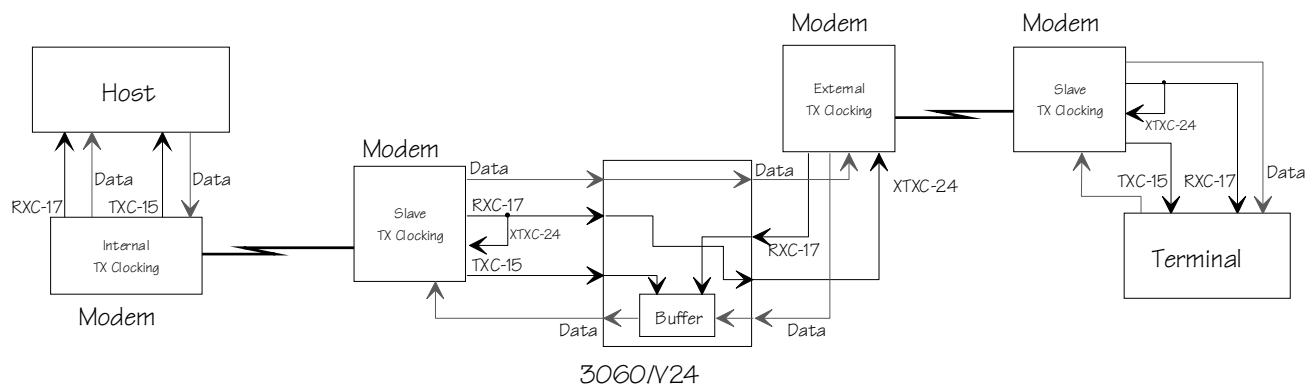
FACTORY Test Jumpers (JP1, JP2 and JP3)

The three test jumpers JP1, 2 and 3, must be installed for the unit to properly function. These jumpers are used in the manufacture and test of the product prior to shipment.

APPENDIX

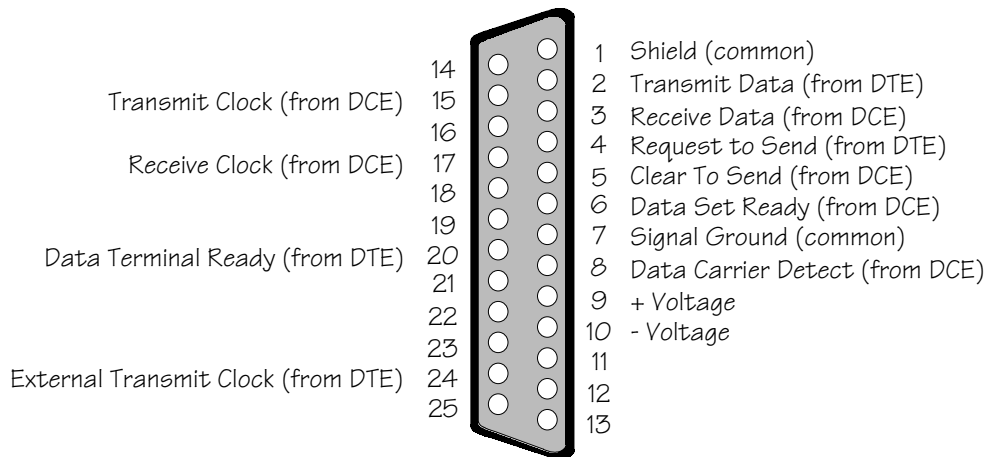


Typical Application

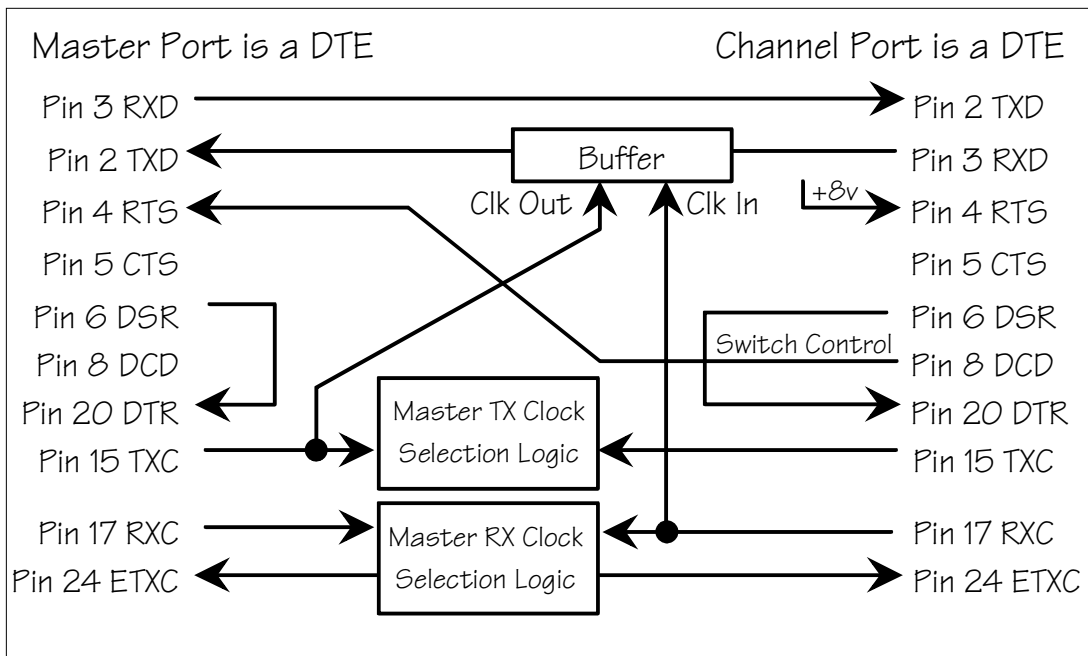


Typical Tail Circuit Configuration

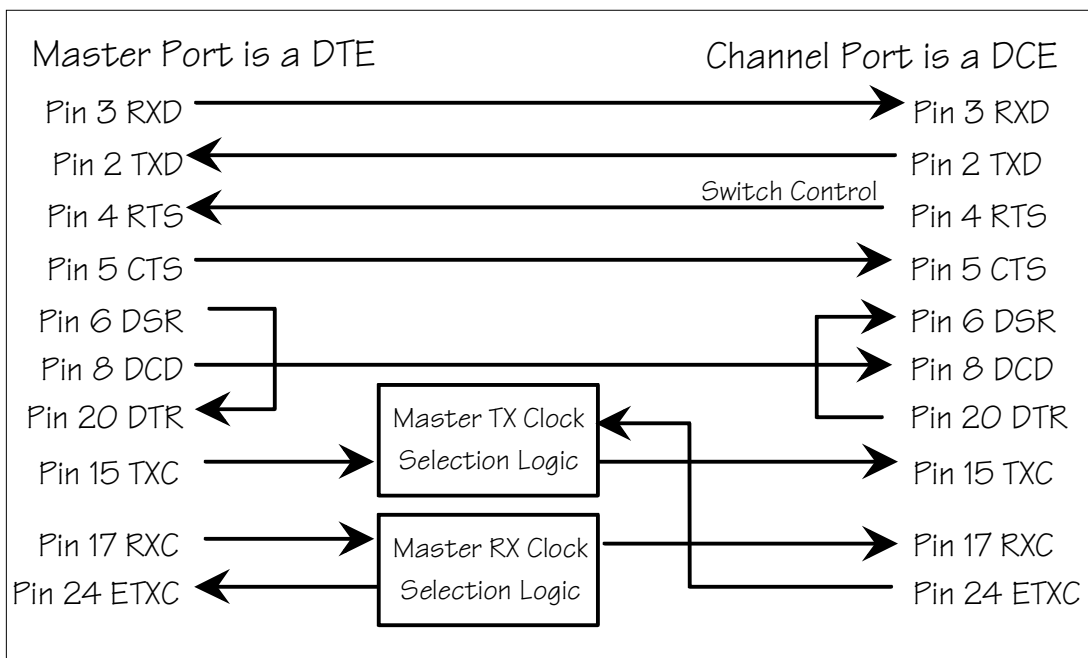
DB-25 RS-232



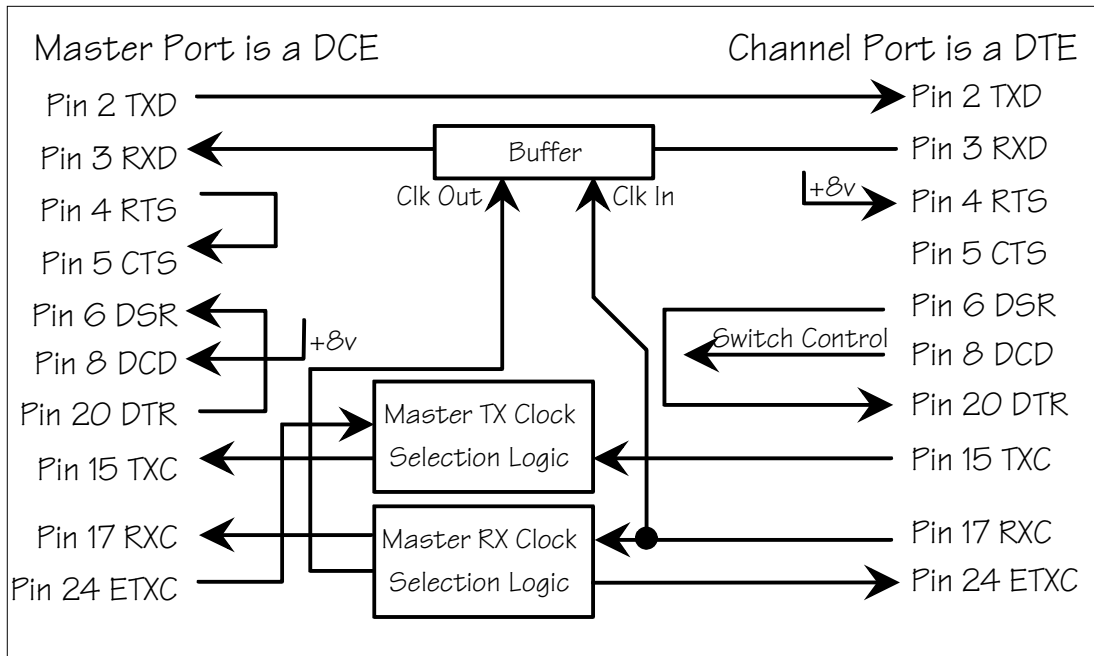
Interface Pins Supported



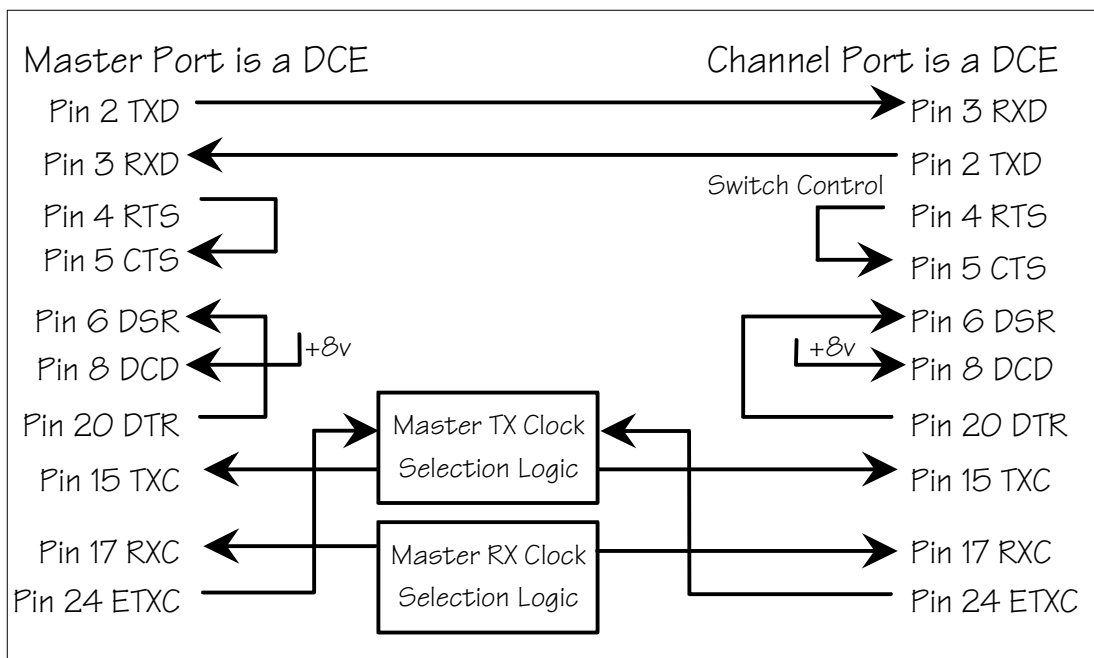
Master DTE / Sub-Channel DTE Interface Flow Diagram



Master DTE / Sub-Channel DCE Interface Flow Diagram



Master DCE / Sub-Channel DTE Interface Flow Diagram



Master DCE / Sub-Channel DCE Interface Flow Diagram

TECHNICAL SPECIFICATIONS

Applications

Multiple RS-232 Sync or Async DCE or DTE devices sharing one RS-232 DCE or DTE link

Capacity

One to Six RS-232 Sync or Async DTE or DCE devices One RS-232 DCE or DTE Master Channel

Data Format

Data transparent at all data rates

Data Rates

Up to 76,800bps

Timing

Internal: DIP switch selectable
 Normal: From Modem
 External: Clock provided on any Sub-Channel

Anti-streaming

Automatic:Selectable timeout intervals or disable

Terminal Service Modes

Scanning Mode: .. Channels are continuously scanned for activity on a sequential basis.
 Priority Mode: Channels are simultaneously monitored channel one has highest access

Sub-Channel Interface

EIA RS-232 female connectors (DB-25)

Master Interface

EIA RS-232 female connector (DB-25)

Front Panel

Indicators: . Power, Send Data, Receive Data, Clock Fallback, Sub-Channel Active, Sub-Channel Stream

Switches: .. Enable/Disable each Sub-Channel

Power Source

100-120/200-240 Vac, 50 to 60 Hz, 0.16/0.08 A, Switch Selectable

Environmental

Operating Temp: .. 32° to 122°F (0° to 50°C)
 Relative Humidity: 5 to 90% non-condensing
 Altitude: 0 to 10,000 feet

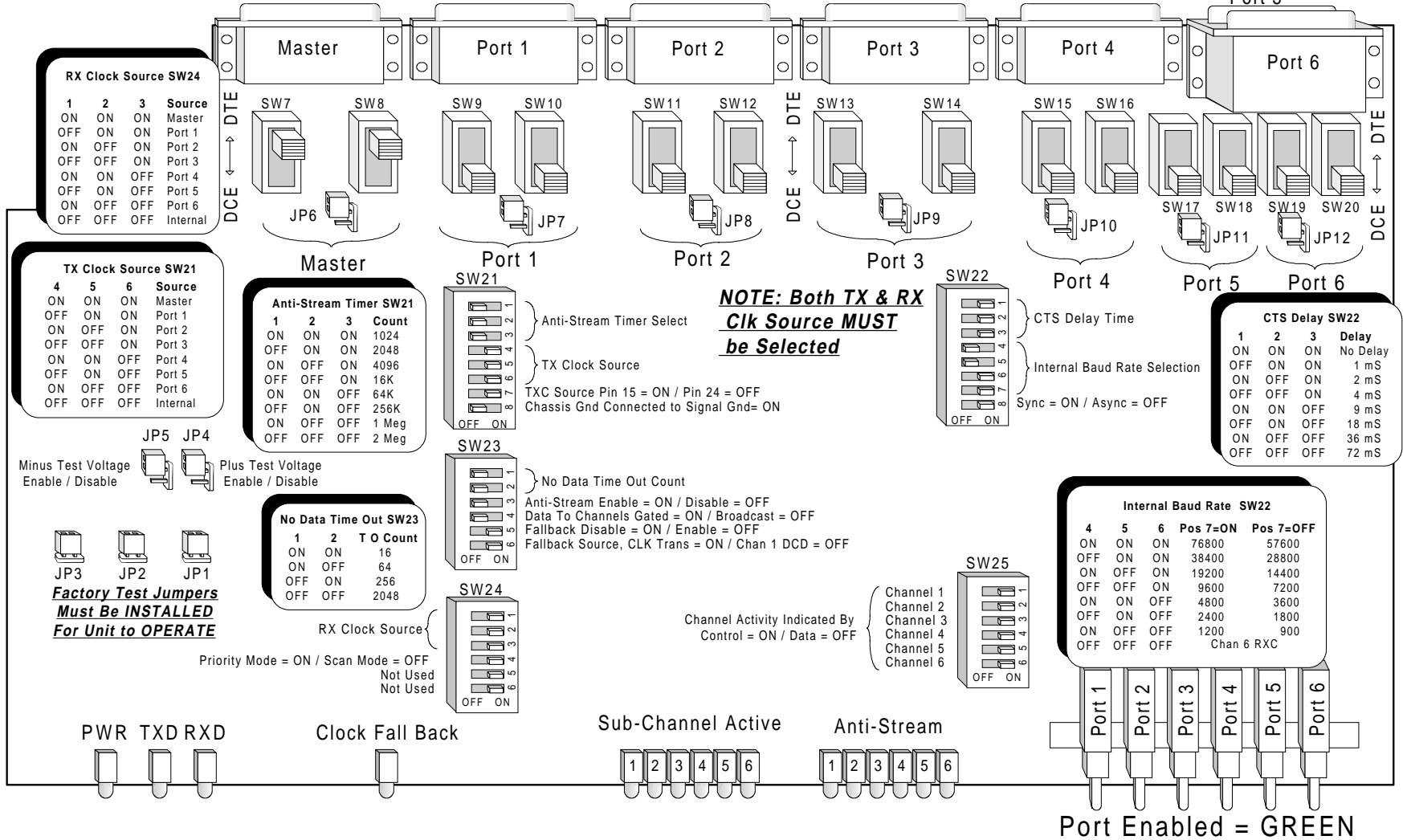
Dimensions

Height: 1.75 inches (4.44 cm)
 Width: 17.00 inches (43.18 cm)
 Length: ... 11.00 inches (18.93 cm)

Weight

4.5 lbs (2.1 Kg)

JP6 Thru JP12 Force DTR (20) / DSR(6) Active on the Master or Associated Port



RX Clock Source SW24

1	2	3	Source
ON	ON	ON	Master
OFF	ON	ON	Port 1
ON	OFF	ON	Port 2
OFF	OFF	ON	Port 3
ON	ON	OFF	Port 4
OFF	ON	OFF	Port 5
ON	OFF	OFF	Port 6
OFF	OFF	OFF	Internal

TX Clock Source SW21

4	5	6	Source
ON	ON	ON	Master
OFF	ON	ON	Port 1
ON	OFF	ON	Port 2
OFF	OFF	ON	Port 3
ON	ON	OFF	Port 4
OFF	ON	OFF	Port 5
ON	OFF	OFF	Port 6
OFF	OFF	OFF	Internal

Anti-Stream Timer SW21

1	2	3	Count
ON	ON	ON	1024
OFF	ON	ON	2048
ON	OFF	ON	4096
OFF	OFF	ON	16K
ON	ON	OFF	64K
OFF	ON	OFF	256K
ON	OFF	OFF	1 Meg
OFF	OFF	OFF	2 Meg

No Data Time Out SW23

1	2	T O Count
ON	ON	16
ON	OFF	64
OFF	ON	256
OFF	OFF	2048

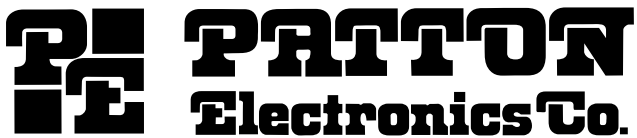
CTS Delay SW22

1	2	3	Delay
ON	ON	ON	No Delay
OFF	ON	ON	1 mS
ON	OFF	ON	2 mS
OFF	OFF	ON	4 mS
ON	ON	OFF	9 mS
OFF	ON	OFF	18 mS
ON	OFF	OFF	36 mS
OFF	OFF	OFF	72 mS

Internal Baud Rate SW22

4	5	6	Pos 7=ON	Pos 7=OFF
ON	ON	ON	76800	57600
OFF	ON	ON	38400	28800
ON	OFF	ON	19200	14400
OFF	OFF	ON	9600	7200
ON	ON	OFF	4800	3600
OFF	ON	OFF	2400	1800
ON	OFF	OFF	1200	900
OFF	OFF	OFF		Chan 6 RXC

NOTE: Both TX & RX Clk Source MUST be Selected



7622 Rickenbacker Drive
Gaithersburg, MD 20879

Sales: 301 975-1000 Support: 301 975-1007
Web Address: www.patton.com

Free Manuals Download Website

<http://myh66.com>

<http://usermanuals.us>

<http://www.somanuals.com>

<http://www.4manuals.cc>

<http://www.manual-lib.com>

<http://www.404manual.com>

<http://www.luxmanual.com>

<http://aubethermostatmanual.com>

Golf course search by state

<http://golfingnear.com>

Email search by domain

<http://emailbydomain.com>

Auto manuals search

<http://auto.somanuals.com>

TV manuals search

<http://tv.somanuals.com>