

Copyright statement

Copyright © 2012, Patton Electronics Company. All rights reserved.

The information in this document is subject to change without notice. Patton Electronics assumes no liability for errors that may appear in this document.

Trademarks statement

The term *BODi rS* is a trademark of Patton Electronics Company. All other trademarks presented in this document are the property of their respective owners.

Warranty, Trademark, & Compliance Information

For warranty, trademark and compliance information, refer to the user manual for your BODi rS model, available online at www.patton.com/manuals.



BODi rS BD1000 Series **Bandwidth-on-Demand Internet Network Appliance**

Quick Start Guide



CE This is a Class A device and is not intended for use in a residential environment.



WARNING

- Do not open the device when the power cord is connected. For systems without a power switch and without an external power adapter, line voltages are present within the device when the power cord is connected.
- For devices with an external power adapter, the power adapter shall be a listed *Limited Power Source*. The mains outlet that is utilized to power the device shall be within 10 feet (3 meters) of the device, shall be easily accessible, and protected by a circuit breaker in compliance with local regulatory requirements.
- For AC powered devices, ensure that the power cable used meets all applicable standards for the country in which it is to be installed.
- For AC powered devices which have 3 conductor power plugs (L1, L2 & GND or Hot, Neutral & Safety/Protective Ground), the wall outlet (or socket) must have an earth ground.
- For DC powered devices, ensure that the interconnecting cables are rated for proper voltage, current, anticipated temperature, flammability, and mechanical serviceability.
- WAN, LAN & PSTN ports (connections) may have hazardous voltages present regardless of whether the device is powered ON or OFF. PSTN relates to interfaces such as telephone lines, FXS, FXO, DSL, xDSL, T1, E1, ISDN, Voice, etc. These are known as "hazardous network voltages" and to avoid electric shock use caution when working near these ports. When disconnecting cables for these ports, detach the far end connection first.
- Do not work on the device or connect or disconnect cables during periods of lightning activity.



WARNING

This device contains no user serviceable parts. This device can only be repaired by qualified service personnel.



In accordance with the requirements of council directive 2002/96/EC on Waste of Electrical and Electronic Equipment (WEEE), ensure that at end-of-life you separate this product from other waste and scrap and deliver to the WEEE collection system in your country for recycling.

B.0 Compliance Information

B.1 Compliance

EMC

- EN55022, Class A
- EN55024

Low-Voltage Directive (Safety)

- IEC/EN60950-1, 2nd edition

B.2 CE Declaration of Conformity

Patton Electronics, Inc declares that this device is in compliance with the essential requirements and other relevant provisions of Directive 2004/108/EC relating to electromagnetic compatibility and Directive 2006/95/EC relating to electrical equipment designed for use within certain voltage limits. The Declaration of Conformity may be obtained from Patton Electronics, Inc at www.patton.com/certifications.

The safety advice in the documentation accompanying this device shall be obeyed. The conformity to the above directive is indicated by CE mark on the device.

B.3 Authorized European Representative

D R M Green, European Compliance Services Limited.

Avalon House, Marcham Road, Abingdon,

Oxon OX14 1UD, UK

A.0 Customer and Technical Support

Toll-Free VoIP support: call sip:support@patton.com with a VoIP SIP client

Online support: www.patton.com

E-mail support: support@patton.com— answered within 1 business day

Telephone support:

- Standard: +1 (301) 975-1007 (USA), Monday–Friday: 8:00 am to 5:00 pm EST (1300 to 2200 UTC/GMT)
- Alternate: +41 (0)31 985 25 55 (Switzerland), Monday–Friday: 9:00 am to 5:30 pm CET (08:00 to 16:30 UTC/GMT)

Fax: +1 (301) 869-9293 (USA) or +41 (0)31 985 25 26 (Switzerland)



Electrostatic Discharge (ESD) can damage equipment and impair electrical circuitry. It occurs when electronic printed circuit cards are improperly handled and can result in complete or intermittent failures. Do the following to prevent ESD:

- Always follow ESD prevention procedures when removing and replacing cards.
- Wear an ESD-preventive wrist strap, ensuring that it makes good skin contact. Connect the clip to an unpainted surface of the chassis frame to safely channel unwanted ESD voltages to ground.
- To properly guard against ESD damage and shocks, the wrist strap and cord must operate effectively. If no wrist strap is available, ground yourself by touching the metal part of the chassis.

1.0 Preparing to Install the BODi rS

You will need the following to install your BODi rS:

- At least one Internet/WAN access account
- For each network connection, one 10/100Base-T UTP cable with RJ45 connector, or one 1000Base-T Cat5E UTP cable for the Gigabit port or one USB modem for the USB WAN port
- A computer with TCP/IP network protocol and a web browser installed. Supported browsers include Microsoft Internet Explorer 7.0 or above, Mozilla Firefox 3.0 or above, Apple Safari 3.1.1 or above, and Google Chrome 2.0 or above.

Proceed to Chapter 2.0 Connecting the BODi rS Interfaces on page 4.

2.0 Connecting the BODi rS Interfaces

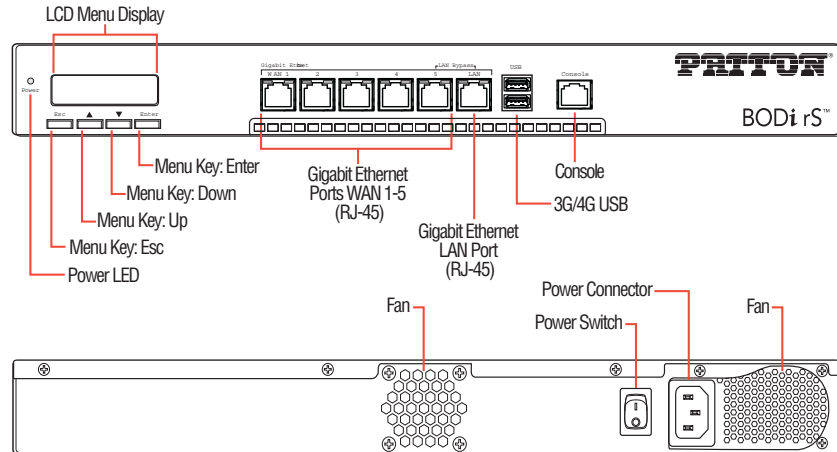


Figure 1. BODi rS BD1000 interfaces

BODi rS includes the following Ethernet ports:

- LAN port: Connects to a computer or similar device on the local area network (LAN)
- WAN ports 1 to 5: Connect to T1, DSL, or cable modems on the wide area network (WAN)

Note WAN port 5 and the LAN port can be connected to TBD to create the LAN Bypass.

2.1 Installing the LAN Interface Cable

1. Connect one RJ45 end of an Ethernet cable to the LAN port (see Figure 1).
2. Connect the other end of the Ethernet cable to the computer.

2.2 Connecting the WAN Interface Cables

1. Connect one RJ45 end of an Ethernet cable to WAN port 1 (see Figure 1).
2. Connect the other end of the Ethernet cable to a modem.
3. Repeat steps 1 and 2 to install the remaining Ethernet cables to ports 2 to 5.

2.3 Connecting the USB Interfaces

Do the following to connect USB cables (Standard-A plugs at both ends) between the BODi rS USB 2.0 ports and the 3G/4G failover modem and a USB 2.0 device, or between BODi ports and two USB 2.0 devices:

1. Connect one end of the USB cable to one of the USB ports.
2. If you are installing a 3G/4G failover modem, connect the other end of the cable to the modem. Otherwise, connect the other end of the cable to a USB 2.0 device.
3. If there is a second cellular modem, connect one end of the USB cable to one of the USB ports, then connect the remaining end to the USB 2.0 device.

3.0 Powering Up the BD1000

1. Insert the female end of the AC power cord into the power connector (see Figure 1 on page 4).
2. Connect the male end of the power cord into an AC power outlet (100–240 VAC).
3. Set the power switch (see Figure 1 on page 4) to | (on).

4.0 Connecting to the Web Admin Interface

After physically connecting to the LAN, use the Web Admin interface to configure the BODi rS interfaces.

Do the following to log in to the Web Admin Interface:

1. Start a web browser on the computer connected to the BODi rS LAN port.
2. Enter the following default LAN IP address in the address field of the web browser: <http://192.168.1.1>
3. Enter the username *admin* and password *admin* to log in to the Web Admin Interface. (You may change the Admin and Read-only User Password by clicking on System > Admin Security in the Web Admin Interface). After successfully logging in, the Dashboard of the Web Admin Interface displays:

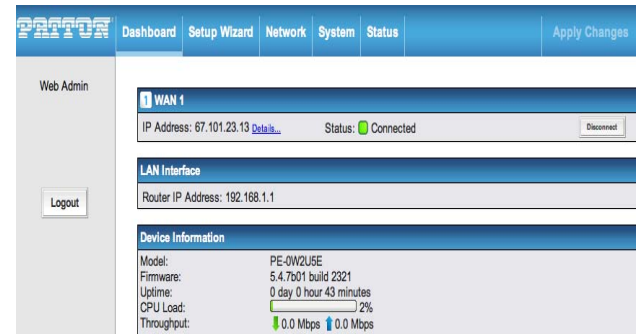


Figure 2. Web Admin Interface home page

The Web Admin Interface Dashboard shows the current WAN and LAN settings and statuses. The Dashboard enables you to change the priority of the WAN connections off or on. For more information about configuring these connections, refer to Chapter 3 in the *BODi rS BD1000 Series User Manual*: (www.patton.com/manuals/BD1000.pdf).

Free Manuals Download Website

<http://myh66.com>

<http://usermanuals.us>

<http://www.somanuals.com>

<http://www.4manuals.cc>

<http://www.manual-lib.com>

<http://www.404manual.com>

<http://www.luxmanual.com>

<http://aubethermostatmanual.com>

Golf course search by state

<http://golfingnear.com>

Email search by domain

<http://emailbydomain.com>

Auto manuals search

<http://auto.somanuals.com>

TV manuals search

<http://tv.somanuals.com>