

OWNER'S MANUAL

LEAF BLOWERS

Model Numbers

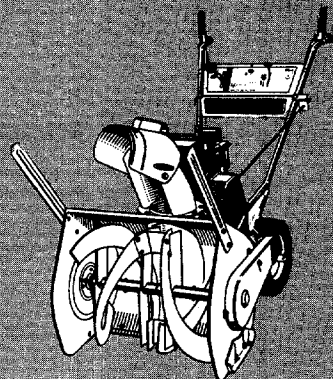
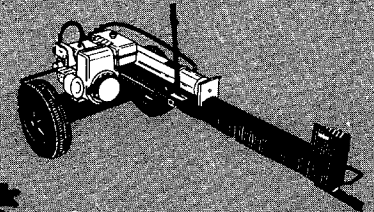
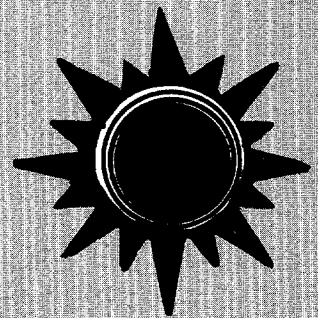
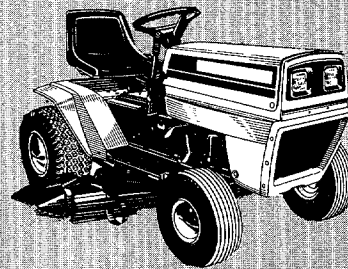
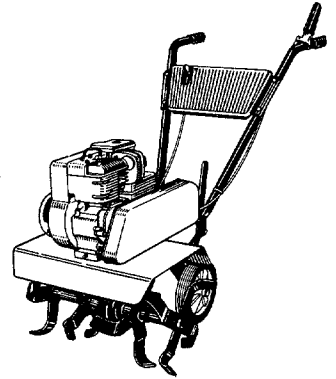
242-692A

242-693A

24695A

Important:
Read Safety Rules and
Instructions Carefully

Thank you for purchasing an
American built product.



INDEX

Safe Operation Practices	3	Maintenance and Lubrication.....	
Assembly Instructions	4	Off-Season Storage.....	6
Operation.....	5	Illustrated Parts	8, 9, 10, 11
Adjustments.....	6	Parts Information.....	Back Cover

LIMITED WARRANTY

For one year from the date of original retail purchase, MTD PRODUCTS INC will either repair or replace, at its option, free of charge, F.O.B. factory or authorized service firm, any part or parts found to be defective in material or workmanship. Transportation charges for the movement of any power equipment unit or attachment are the responsibility of the purchaser. Transportation charges for any parts submitted for replacement under this warranty must be paid by the purchaser unless such return is requested by MTD PRODUCTS INC.

This warranty will not apply to any part which has become inoperative due to misuse, excessive use, accident, neglect, improper maintenance, alterations, or unless the unit has been operated and maintained in accordance with the instructions furnished. This warranty does not apply to the engine, motor, battery, battery charger or component parts thereof. Please refer to the applicable manufacturer's warranty on these items.

This warranty will not apply where the unit has been used commercially.

Warranty service is available through your local authorized service dealer or distributor. If you do not know the dealer or distributor in your area, please write to the Customer Service Department of MTD.

The return of a complete unit will not be accepted by the factory unless prior written permission has been extended by MTD.

This warranty gives you specific legal rights. You may also have other rights which vary from state to state.



TO PURCHASERS OF INTERNAL COMBUSTION ENGINE EQUIPPED MACHINERY OR DEVICES IN THE STATE OF CALIFORNIA

The equipment which you have just purchased does not have a spark arrester. If this equipment is used on any forest covered land, brush covered land, or grass covered unimproved land in the State of California, before using on such land, the California law requires that a spark arrester be provided. In addition, spark arrester is required by law to be in effective working order. The spark arrester must be attached to the exhaust system and comply with Section 4442 of the California Public Resources Code.

IMPORTANT

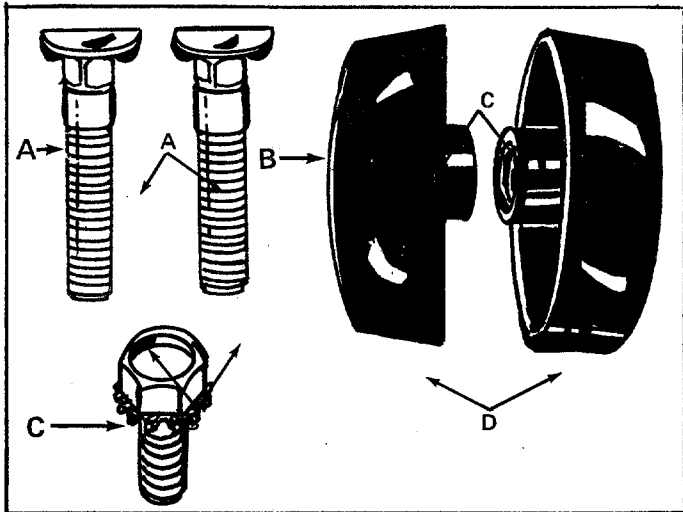
It is suggested that this manual be read in its entirety before attempting to assemble or operate. Keep this manual in a safe place for future reference and for ordering replacement parts.

This unit is shipped **WITHOUT GASOLINE** or **OIL**. After assembly, see operating section of this manual for proper fuel amount.

SAFE OPERATION PRACTICES FOR LEAF BLOWERS

1. Read this operating and service instructing manual carefully. Be thoroughly familiar with the controls and proper use of the power leaf blower.
2. Never allow children to operate this power leaf blower.
3. Keep the area of operation clear of all persons, particularly small children and pets.
4. Check fuel before starting engine. Do Not fill fuel tank indoors, when engine is running, or while engine is hot. Wipe off any spilled fuel before starting engine.
5. Do Not change engine governor settings.
Do Not put hands near rotating parts for any reason.
7. If the power leaf blower should start to vibrate abnormally, stop the engine and check immediately for the cause. Vibration is generally a warning of trouble.
8. Before cleaning, repairing or inspecting make certain all moving parts have come to a complete stop. Disconnect spark plug wire and keep wire away from plug to prevent accidental starting. Also keep throttle control lever in the stop position.
9. If the power leaf blower should become blocked with debris at any point, shut engine off and wait until the impeller comes to a complete stop before attempting to remove the obstruction. Disconnect spark plug wire to prevent accidental starting.
10. Check all bolts for tightness at frequent periods.
11. Never store this power leaf blower with fuel in the tank. Allow engine to cool before starting in any enclosure.
12. Keep equipment free of debris when not in use.
13. Never operate this leaf blower unless impeller guard and guard assembly are properly affixed in their place.
14. Never change inlet nozzle or auxiliary hose attachment when engine is running.
15. The manufacturer recommends that the operator wear safety glasses or some other suitable eye protection when operating this machine.
16. Exercise caution whenever operating leaf blower. Do Not allow exhaust to be pointed in the direction of persons.

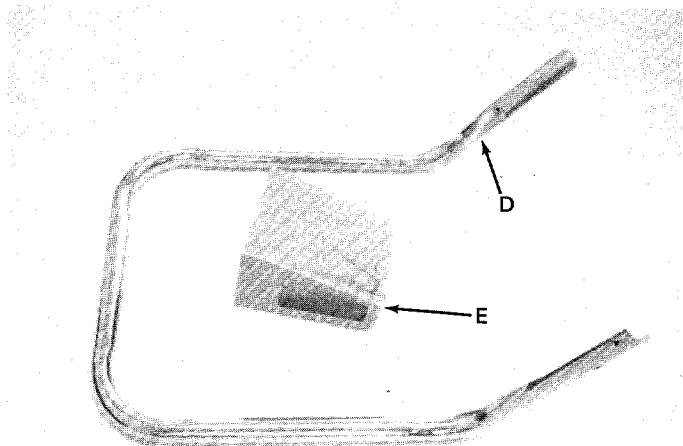
ASSEMBLY INSTRUCTIONS



CONTENTS OF HARDWARE PACK:
(See Figure 1.)

- A (2) Carriage Bolts
- B (2) Hand Knobs
- C (1) Hex Sems Bolt

FIGURE 1.



PARTS IN CARTON (See Figure 2):

- D (1) Upper Handle
- E (1) Directional Discharge

FIGURE 2.

NOTE

The right and left side of your leaf blower is determined from operator's position.

1. Remove the leaf blower, hardware pack and all literature from the carton before discarding carton.

2. Figure 3 shows lower handle. Upper handle mounts in center hole only.

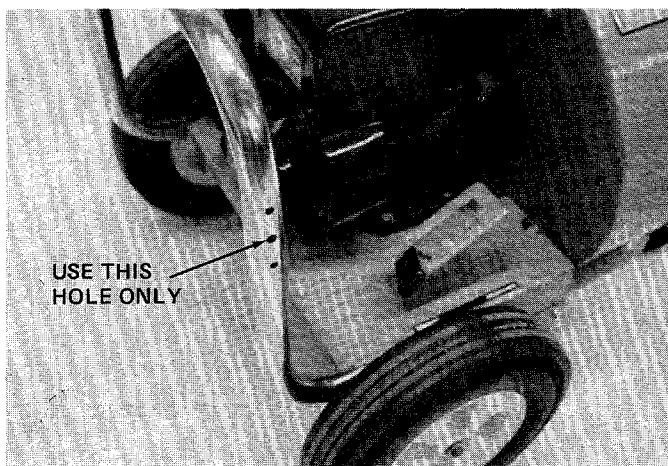


FIGURE 3.

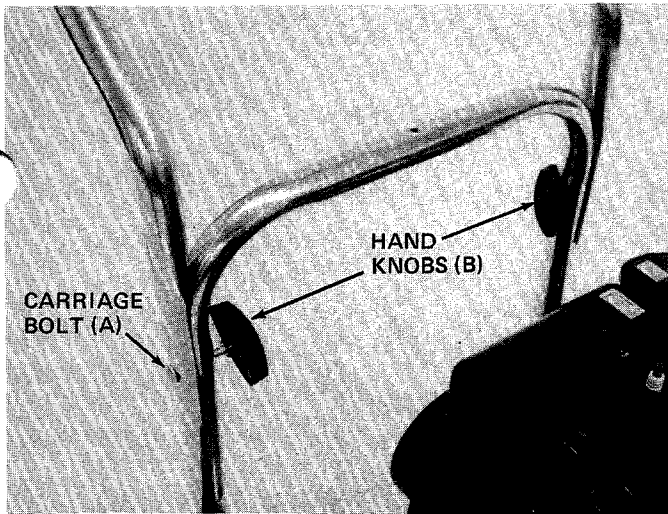


FIGURE 4.

3. Place the upper handle (D) over the lower handle, lining up the holes. Secure with carriage bolts (A) and hand knobs (B). See figure 4.

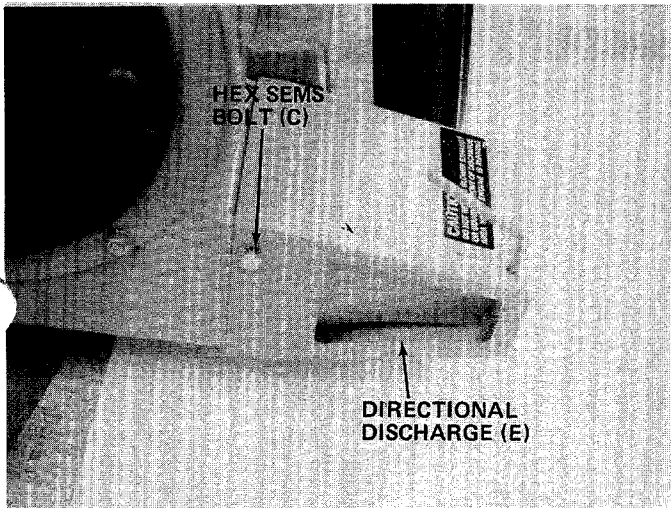


FIGURE 5.

4. Slip end of directional discharge (E) over chute opening. Secure in position with hex sems bolt (C). See figure 5.

OPERATION

BEFORE STARTING ENGINE

Service engine with gas and oil. See engine manual packed with leaf blower for complete instructions for care and maintenance of engine. READ DIRECTIONS CAREFULLY.

TO START ENGINE

1. Move throttle to start position.

2. Pull starter rope once with quick, full stroke. Move hand throttle to fast position and pull starter rope again.
3. When engine starts, move throttle to "RUN" position until engine warms up.

TO STOP ENGINE

Move throttle control lever to "OFF" position.

ADJUSTMENTS



Do Not make this adjustment or any adjustment with the engine running. Stop the engine, disconnect the spark plug wire and ground plug wire to engine block.

TWO-WAY AIR DISCHARGE

Your leaf blower is equipped with an adjustable chute deflector. Simply push down on handle provided and swing door towards the front or side as desired. See figure 6.

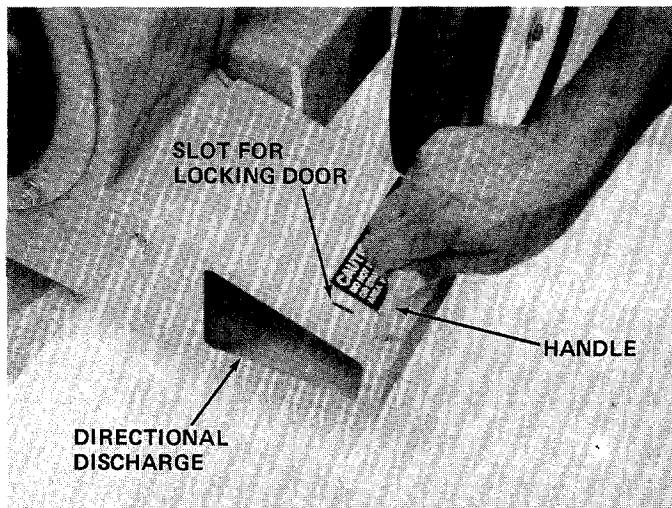


FIGURE 6.

HEIGHT ADJUSTMENT

To adjust the height of the discharge, stand on the right hand side of the leaf blower and move the index handle towards the engine. Move handle towards rear of unit to lower height. Move the handle forward to raise the height. See figure 7.

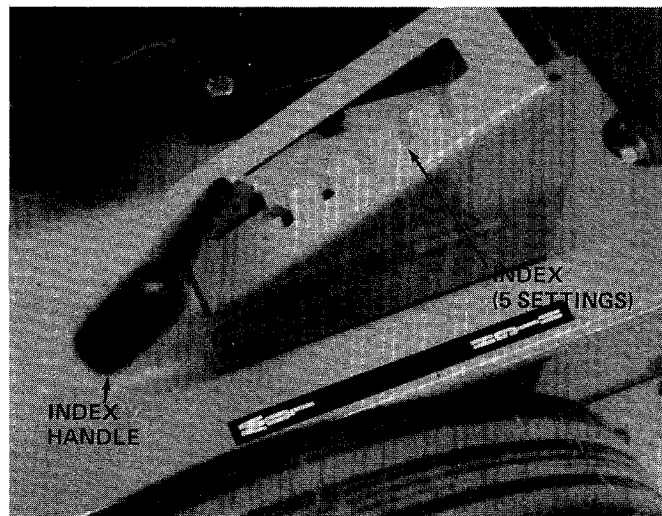


FIGURE 7.

MAINTENANCE AND LUBRICATION

Your leaf blower, like all machines with moving parts, must receive care and maintenance. The following tips, if used, will contribute many troublefree hours to your blower.

1. Check oil level frequently. When changing oil, make sure dirt and debris is cleaned off oil sump before removing oil plug.
2. Keep blower clean, especially the engine, and engine air filter.
3. Check all nuts, bolts and screws occasionally to be sure blower is in good operating condition.
4. The wheel bearings are pre-lubricated at the factory and should require no further attention until blower is serviced. However, it is advisable to remove the wheels and apply a small amount of light oil to each axle at least once a season.

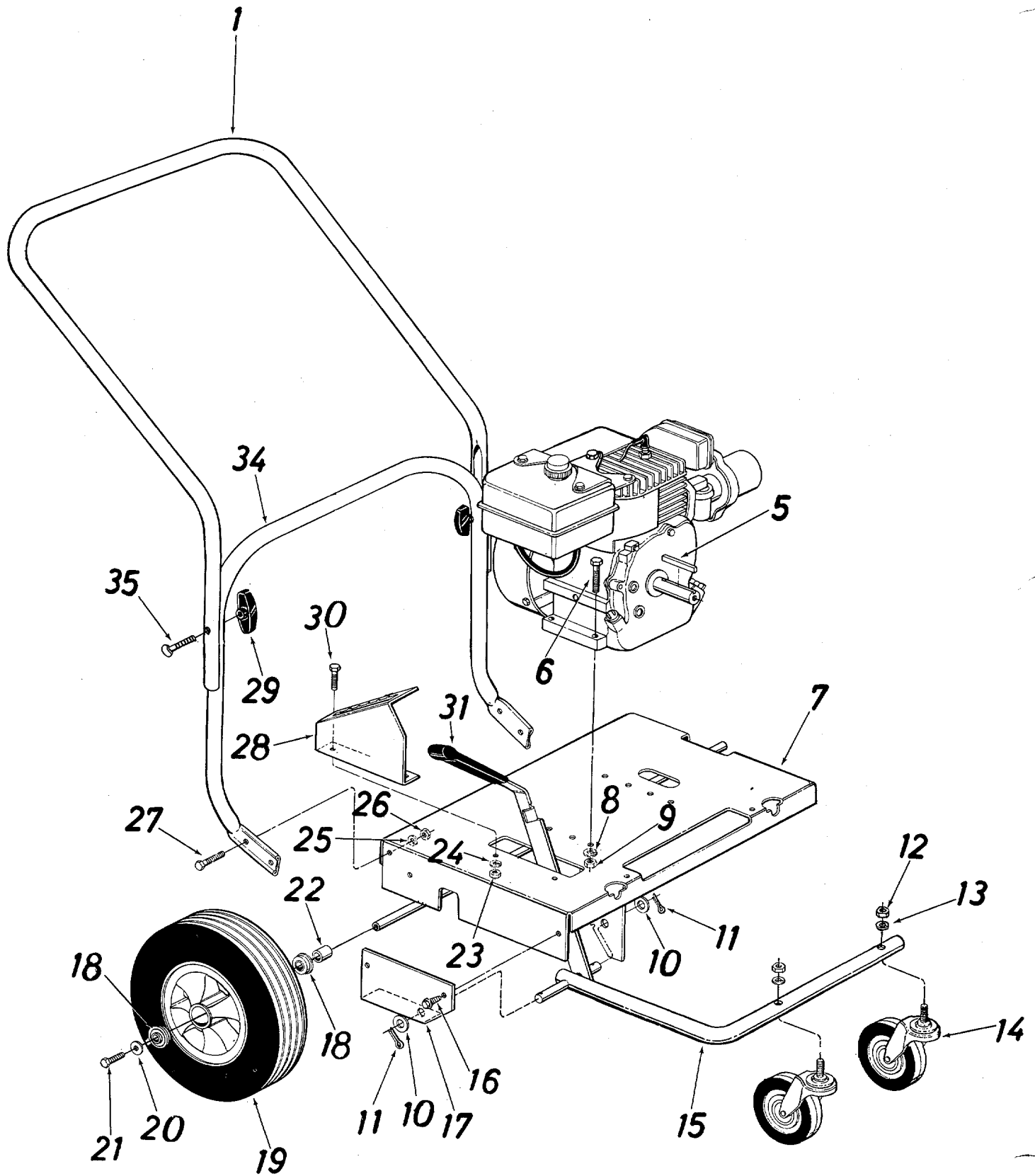
OFF-SEASON STORAGE

If you are going to store your blower for any length of time (30 days or longer), it is important that the following steps be taken:

1. Drain the gas tank. Start the engine. Allow it to run out of gas. Gasoline left in the engine will leave gum deposits in the carburetor and gas tank.
2. Clean engine of all foreign matter.
3. Lubricate cylinder by removing the spark plug and pour in one ounce of clean lubricating oil through the spark plug hole into the cylinder. Crank engine slowly to spread oil and replace spark plug. To start after storage, remove spark plug and rotate engine with starter to remove excess oil.

NOTES

Models 692, 693 and 24695



Models 692, 693 and 24695

PARTS LIST FOR LEAF BLOWER MODELS 692, 693 and 24695

Ref. No.	PART No.	COLOR CODE	DESCRIPTION	New Part
1	749-0479		Upper Handle	N
5	714-0114		Sq. Key 1/4" x 1/4" x 2.00" Lg.*	
6	710-0442		Hex Bolt 5/16-18 x 1.50" Lg.*	
7	14526 --- 488		Engine Mounting Frame Ass'y.	N
8	736-0119		L.-Wash. 5/16" I.D.*	
9	712-0267		Hex Nut 5/16-18 Thd.*	
10	736-0187		Fl.-Wash. .63" I.D. x 1.25" O.D.	
11	1544-009		Cotter Pin 5/32" Dia. x 1.25" Lg.*	
12	712-0206		Hex Nut 1/2-13 Thd.*	
13	736-0921		L.-Wash. 1/2" I.D.*	
14	734-1036		Swivel Caster Wheel 5" Dia. x 1.25"	N
15	14571 --- 488		Caster Arm Ass'y.	N
16	710-0726		Hex Wash. Hd. "AB" Tap Scr. 5/16" x .75" Lg.	
17	14529 --- 488		Caster Arm Bracket	N
18	-----		Ball Bearings - Part of Wheel Ass'y. (Ref. 19)	
19	734-1035		Wheel Ass'y.-Comp. 12" x 3"	N
20	736-0159		Fl.-Wash. .34" I.D. x .87" O.D.	
21	710-0170		Hex Locking Bolt 5/16-24 x .62" Lg.	
22	750-0372		Spacer .625" I.D. x 1.00" O.D. x 1.12" Lg.	
23	712-0267		Hex Nut 5/16-18 Thd.*	
24	736-0119		L.-Wash. 5/16" I.D.*	
25	736-0119		L.-Wash. 5/16" I.D.*	
26	712-0267		Hex Nut 5/16-18 Thd.*	
27	710-0118		Hex Bolt 5/16-18 x .75" Lg.*	
28	14561		Index Plate	N
29	09966		Hand Knob	
30	710-0118		Hex Bolt 5/16-18 x .75" Lg.*	
31	720-0142		Fl.-Grip Vinyl	
34	749-0481		Lower Handle	N
35	710-0487		Carriage Bolt 5/16-18 x 2.0" Lg.*	

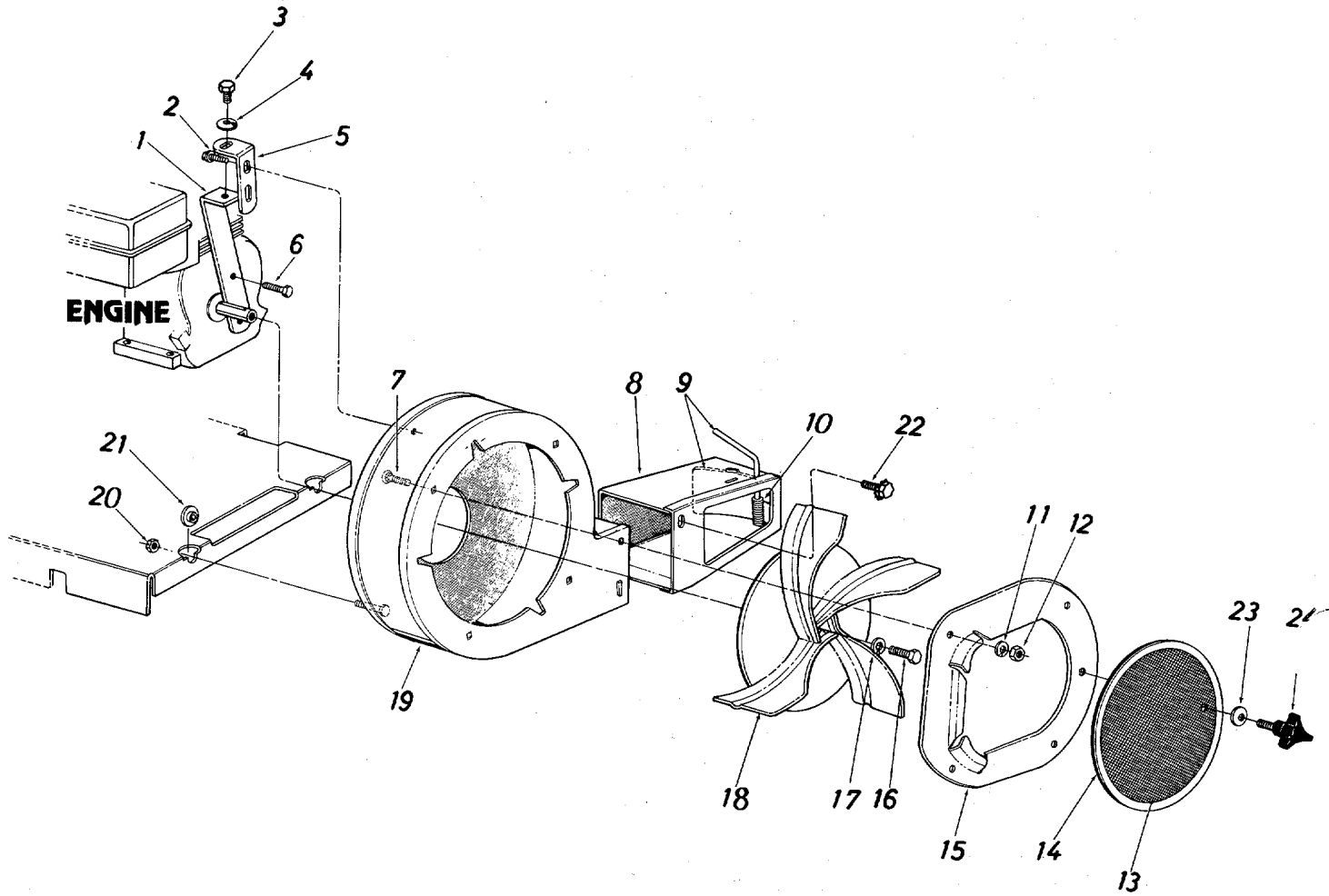
*For faster service obtain standard nuts, bolts and washers locally. If these items cannot be obtained locally, order part number and size as shown on parts list.

(488 - Mack Truck Yellow) When ordering parts if color or finish is important, use color code
(497 - Yard-Man Red) Shown at left (e.g. Mack Truck Yellow Finish - 14542 (488).)

The engine is not under warranty by the leaf blower manufacturer. If repairs or service is needed on the engine, please contact your nearest authorized engine service outlet. Check the "Yellow Pages" of your telephone book under "Engines - Gasoline"



Models 692, 693 and 24695



Models 692, 693 and 24695

PARTS LIST FOR LEAF BLOWER MODELS 692, 693 and 24695

Ref. No.	PART No.	COLOR CODE	DESCRIPTION	New Part
1	14539		Engine Housing Brace Ass'y.	N
2	710-0600		Hex Self Tap Scr. 5/16" x .50" Lg.	
3	710-0118		Hex Bolt 5/16-18 x .75" Lg.*	
4	736-0119		L-Wash. 5/16" I.D. *	
5	14541		Right Angle Bracket	N
6	710-0170		Hex Locking Bolt 5/16-24 x .62" Lg.	
7	710-0260		Carriage Bolt 5/16-18 x .62" Lg. *	
8	14546 --- 488		Directional Discharge Ass'y.	N
9	14549 --- 488		Door Ass'y.	N
10	732-0335		Compression Spring	
11	736-0119		L-Wash. 5/16" I.D.*	
12	712-0267		Hex Nut 5/16-18 Thd.*	
13	14560		Blower Guard	N
14	731-0516		Trim Strip 36.5" Lg.	
15	14563 --- 488		Nozzle Plate Ass'y.	N
16	710-0191		Hex Bolt 3/8-24 x 1.25" Lg.*	
17	736-0217		L-Wash. 3/8" I.D. H.D.	
18	14536 --- 488		Air Vane Plate Ass'y.	N
19	14542 --- 488		Blower Housing Ass'y. - Comp.	N
20	712-0158		Hex Cent. L.-Nut 5/16-18 Thd.	
21	736-0289		Shoulder Spacer .50" O.D. x .135	
22	710-0259		Hex Sems Bolt 5/16-18 x .62" Lg.*	
23	736-0242		Belleville Wash. .34" I.D. x .87" O.D.	
24	720-0170		3 Arm Thumb Scr. 5/16-18 x .75" Lg.	

*For faster service obtain standard nuts, bolts and washers locally. If these items cannot be obtained locally, order part number and size as shown on parts list.

(488 - Mack Truck Yellow) When ordering parts if color or finish is important, use color code
(497 - Yard-Man Red) Shown at left (e.g. Mack Truck Yellow Finish - 14542 (488).)

The engine is not under warranty by the leaf blower manufacturer. If repairs or service is needed on the engine, please contact your nearest authorized engine service outlet. Check the "Yellow Pages" of your telephone book under "Engines - Gasoline".



MTD PRODUCTS INC **YARD-MAN COMPANY**
P.O. BOX 36900 • CLEVELAND, OHIO 44136

Free Manuals Download Website

<http://myh66.com>

<http://usermanuals.us>

<http://www.somanuals.com>

<http://www.4manuals.cc>

<http://www.manual-lib.com>

<http://www.404manual.com>

<http://www.luxmanual.com>

<http://aubethermostatmanual.com>

Golf course search by state

<http://golfingnear.com>

Email search by domain

<http://emailbydomain.com>

Auto manuals search

<http://auto.somanuals.com>

TV manuals search

<http://tv.somanuals.com>