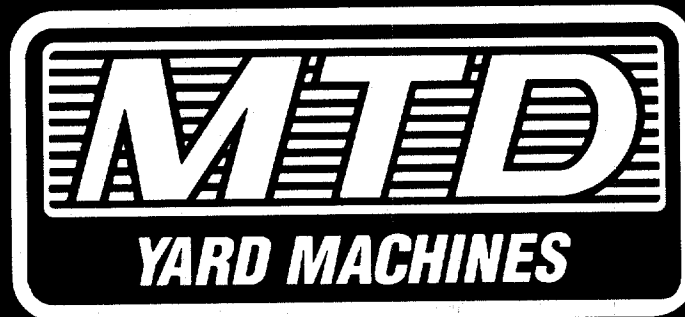


# ILLUSTRATED PARTS

AMERICAN  AMERICAN  
M A D E O W N E D  
OUTDOOR POWER EQUIPMENT



## 1994

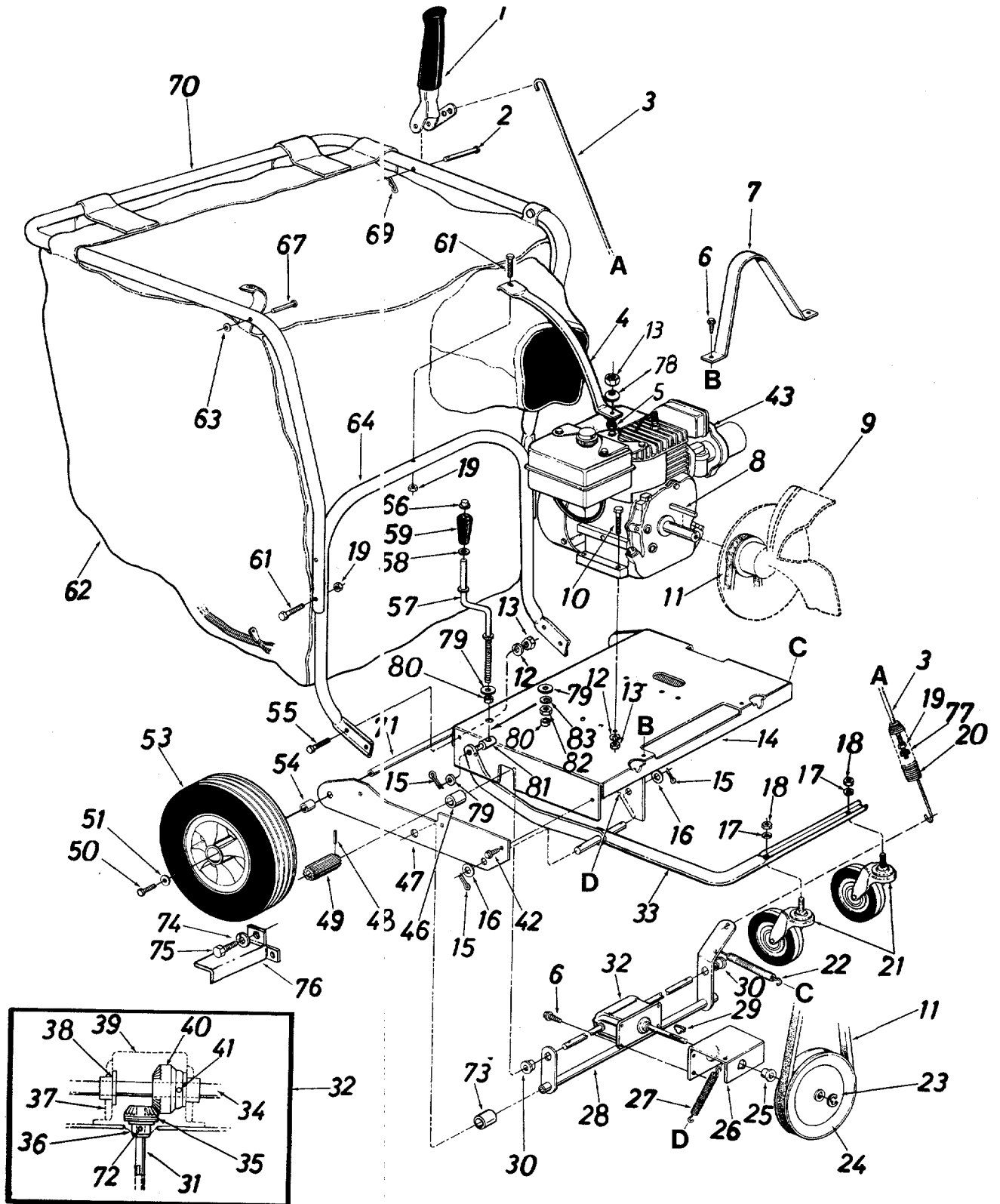
## VACUUMS / LEAF BLOWERS

Model Number	Pages
244-675-000 .....	2-4
244-685-000 .....	2-4
244-689-000 .....	2-4
244-692-000 .....	5, 6
244-693-000 .....	5, 6
290-204-000 .....	7
290-210-000 .....	7

MTD PRODUCTS INC • P.O. BOX 368022 • CLEVELAND, OHIO 44136-9722

FORM NO. 770-94-7C

# Models 675, 685 and 689



# Models 675, 685 and 689

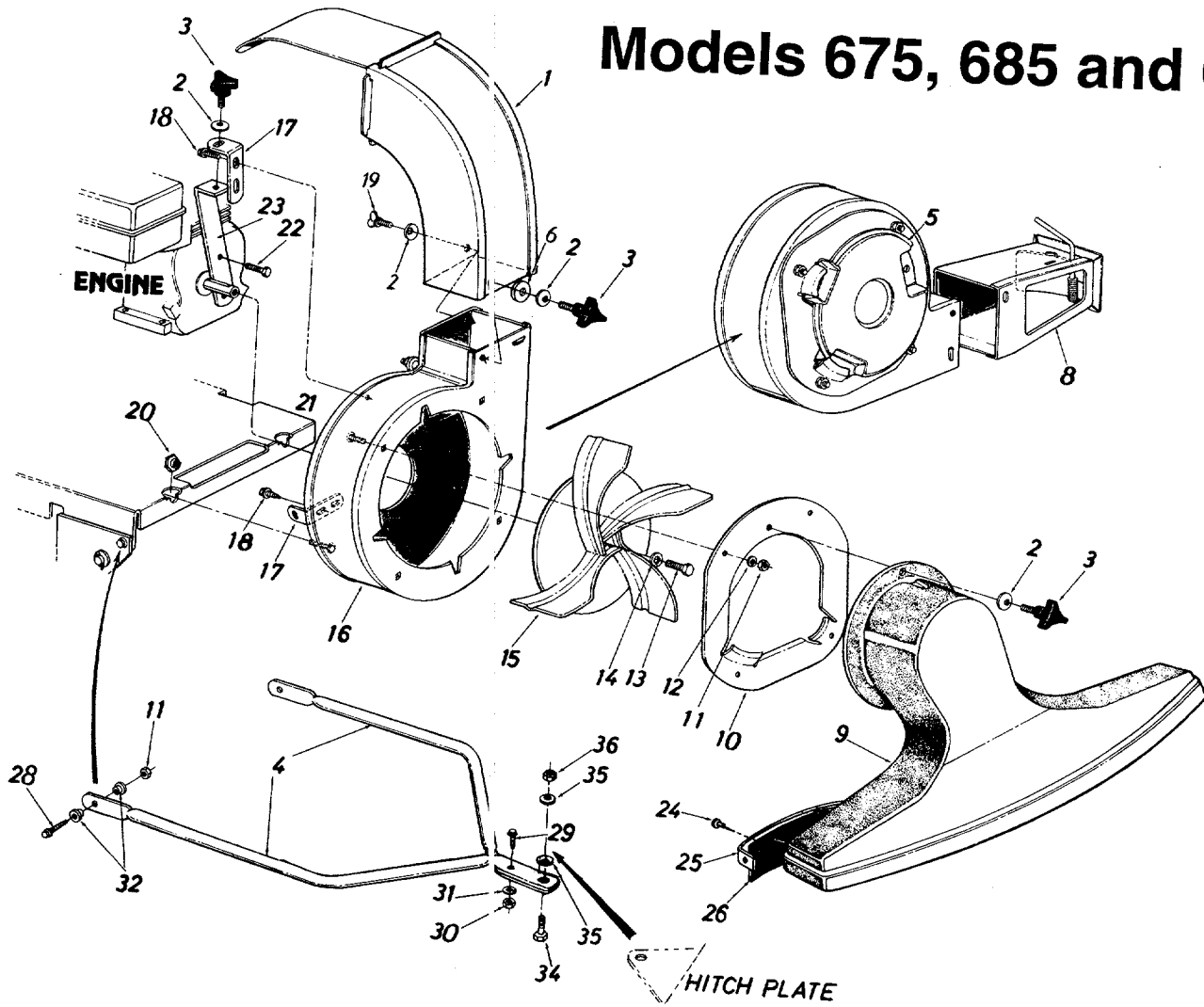
## PARTS LIST FOR MODELS 675, 685 AND 689 POWER VACUUMS

REF. NO.	PART NO.	CODE	DESCRIPTION	REF. NO.	PART NO.	CODE	DESCRIPTION
1	05778B		Clutch Grip Ass'y.†	43	—		Engine
2	711-0679		Clevis Pin .375" Dia. x 1.88"†		751-0581		Muffler Guard Ass'y. (Incl. Hardware)††
3	747-0154		Clutch Rod 32" Lg.†	46	748-0201		Spacer .63" I.D. x .88" O.D. x .56" Lg.†
4	749-0787		Handle Brace (Painted)				Side Plate
5	—		Part of Engine	47	14530		Spring Pin Spiral 3/16" Dia. x 1" Lg.†
6	710-0892		Hex Wash. Hd. AB-Tap Scr. 1/4" x .62" Lg.†	48	715-0247		Drive Pinion†
7	14558		Belt Guard†	49	748-0288		Hex Locking Bolt 5/16-24 x .62" Lg.
8	714-0114		Square Key 1/4" x 2" Lg.	50	710-0170		FI-Wash. .34" I.D. x .87" O.D.
9	14536A		Air Vane Plate Ass'y. (675 and 677)†	51	736-0159		Wheel Ass'y. Comp. 12" x 3" (Incl. Ball Bearings)
	14557A		Air Vane Plate Ass'y. w/Pulley	53	734-1035		Wheel Ass'y. Comp. 10.5" x 4" (677 Only)
10	710-0442		Hex Bolt 5/16-18 x 1.5" Lg.*				Bearings (677 Only)
11	754-0219		"V"-Belt†		734-1184		Spacer .63" I.D. x 1.0" O.D. x .94" Lg. (675, 685, 687)
12	736-0119		L-Wash. 5/16" I.D.*				Spacer .63" I.D. x .878" O.D. x .79" Lg. (677)
13	712-0267		Hex Nut 5/16-18 Thd.*		741-0313		Hex Bolt 5/16-18 x .75" Lg.*
14	16454		Engine Mounting Frame Ass'y.	54	750-0194		Height Adjustment Crank
15	714-0115		Cotter Pin 1/8" Dia. x 1" Lg.*				FI-Wash. .385" I.D. x .62" O.D.
16	736-0187		FI-Wash. .63" I.D. x 1.25" O.D.		748-0192		Crank Knob
17	736-0921		L-Wash. 1/2" I.D.*				Hex Bolt 1/4-20 x 1.75" Lg.
18	712-0206		Hex Nut 1/2-13 Thd.*	55	710-0118		Vacuum Bag—Felt
19	712-0107		Hex Cent. L-Nut 1/4-20 Thd.	57	747-0542		Push Speed Nut .25" Dia. Stud
20	732-0411		Extension Spring .78" O.D. x .75" Lg.†	58	736-0117		Lower Handle
			Swivel Caster Wheel 5" Dia. x 1.25"	59	720-0171		Push Nut 3/8" Dia.
21	734-1036		Extension Spring .38" O.D. x 7.50" Lg.†	61	710-0136		Stud Pin .250" Dia. x 1.75"
22	732-0409		Snap "E"-Ring .50" Dia. Shaft†	62	764-0162A		Internal Cotter Pin 3/8" Dia.
23	716-0104		"V"-Pulley 5/8" x 6.50" O.D.†	63	1539-019		Upper Handle
24	756-0367		Flange Bearing .502" I.D.†	64	749-0785		Rear Axle
25	748-0142		Gear Box Mounting Bracket†	66	726-0100		Spring Roll Pin 5/32" Dia. x 1.12†
26	14570		Extension Spring .75" O.D. x 3.28" Lg.†	67	711-0737		Spacer .82" I.D. x 1.0" O.D. x .305 Lg.†
27	732-0376		Clutch Bracket Ass'y.†	69	714-0145		L-Wash. .265" I.D.†
			#2 Woodruff Key 3/32" Dia. x .81" Lg.†	70	749-0786		Hex Self-Tap Scr. 1/4" x 3/8" Lg.†
28	14565		Hex Flange Bearing Bronze .625" I.D.†	71	738-0185		R.H. Pinion Guard†
29	714-0229		Pinion Shaft .50" Dia. x 5"†	72	715-0249		L.H. Pinion Guard (Not Shown)
30	748-0227A		Gear Box Ass'y. Comp.†	73	750-0142		Hex Jam Nut 1/4-20 Thd.†
31	738-0516		Caster Arm Ass'y.	74	736-0175		Belleville Washer
32	717-0493		Drive Shaft†	75	710-0352		FI-Wash. .35" I.D. x .87" O.D.
33	16273		Bevel Gear .50" I.D. x 14 Teeth	76	14556		Spacer .38" I.D. x .50" O.D. x .18" Lg.
34	08348		Flange Bearing .503" I.D.†		14555		Ferrule 3/8-8 x .38" Dia.
35	748-0136		Gear Box (Incl. Ref. 36 & 38)†	77	712-0298		Hex Nut 3/8-8 Thd.
36	748-0108		Flange Bearing .630" I.D.†	78	736-0242		L-Wash. 3/8" I.D.*
37	753-0218		Gear Box Cover†	79	736-0300		10 oz. Tube Benalene #372-0 Grease (3 oz. Req'd.)
38	748-0110		Bevel Gear .62" I.D. x 28 Teeth†	80	750-0528		
39	08187		Spring Pin Spiral 3/16" Dia. x 1.25" Lg.†	81	711-0797		
40	748-0135		Hex Wash. Hd. AB-Tap Scr. 5/16" x .75" Lg.	82	712-0354		
41	715-0246			83	736-0169		
42	710-0726			—	737-0223		

†Parts for Self-Propelled Units (Models 685, 689 and 687) Only.  
 ††Optional Parts

\*For faster service obtain standard nuts, bolts and washers locally.  
 If these items cannot be obtained locally, order by part number and size as shown on parts list.

# Models 675, 685 and 689

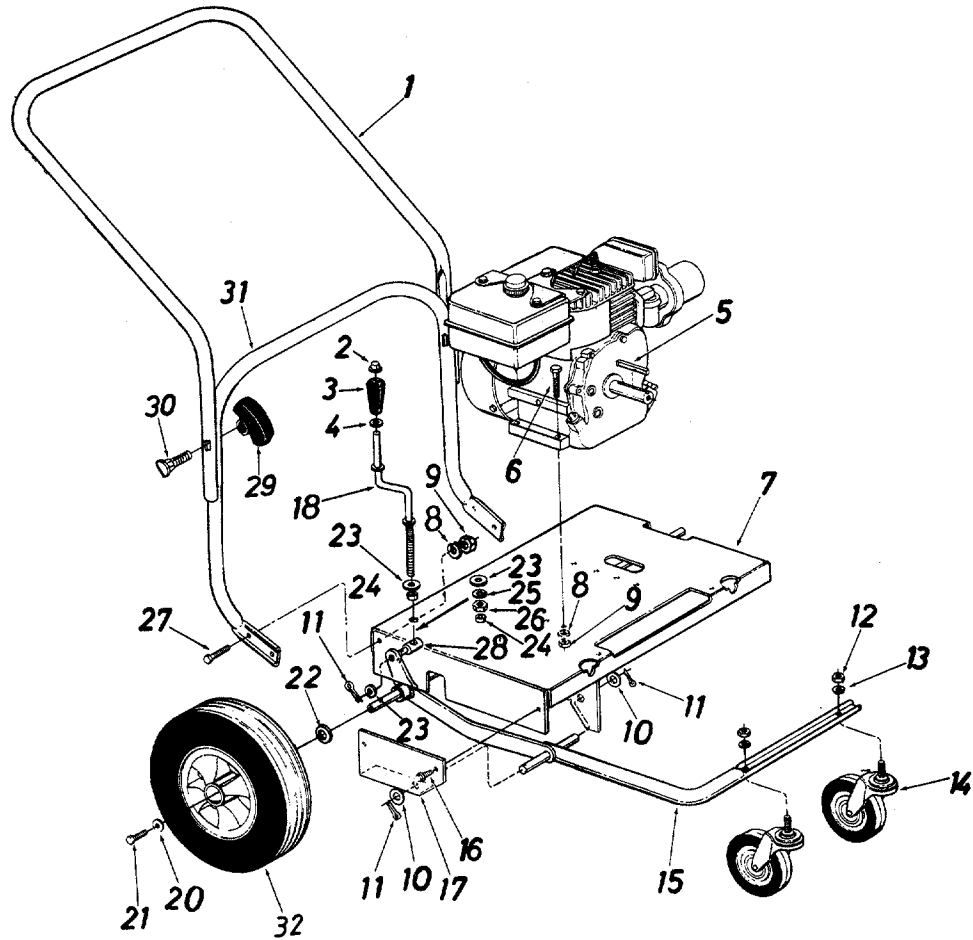


**PARTS LIST FOR MODELS 675, 685 AND 689 POWER VACUUMS**

REF. NO.	PART NO.	CODE	DESCRIPTION	REF. NO.	PART NO.	CODE	DESCRIPTION
1	14532		Air Duct Assembly	18	710-0600		Hex Self-Tap Scr. 5/16-18 x .50" Lg.
2	736-0242		Belleville Wash. .34" I.D. x .87" O.D.	19	710-1258	N	Thumb Screw 5/16-18
3	720-0170		Hand Knob	20	711-0758		Hex Shoulder Nut .50 I.D.
4	749-0501		Tow Bar Half††	21	710-0260		Carriage Bolt 5/16-18 x .62"
5	731-0608		Impeller Guard	22	710-0627		Hex Locking Bolt 5/16-24 x .75" Lg.
6	736-0231		Fl-Wash. .344" I.D. x 1.125" O.D.	23	14539		Housing—Engine Brace Ass'y.
8	14479		Directional Discharge Ass'y.	24	728-0173		Pop Rivet (5 Required)
9	14562B		Nozzle Ass'y. (Black)	25	14569		Wiper Retaining Strip
	731-1123		Nozzle Ass'y. (Beige)	26	735-0214		Nozzle Wiper
10	14563		Nozzle Plate Ass'y.	28	710-0602		Hex Bolt 5/16-18 x 1.00" Lg.*††
11	712-0267		Hex Nut 5/16-18 Thd.*	29	710-0255		Truss Mach. Scr. 1/4-20 x .75"††
12	736-0119		L-Wash. 5/16" I.D.*	30	712-0287		Hex Nut 1/4-20 Thd.*††
13	710-0191		Hex Bolt 3/8-24 x 1.25" Lg.*	31	736-0329		L-Wash. 1/4" I.D.*††
14	736-0217		L-Wash. 3/8" I.D. H.D.	32	748-0234		Shoulder Spacer††
15	14536		Air Vane Plate Ass'y. (675 and 677)	34	738-0143		Shld. Bolt .496 Dia.††
	14557A		Air Vane Plate Ass'y. w/Pu ley (685, 689 and 687)	35	736-0219		Belleville Wash. .39" I.D. x 1.12" O.D.††
16	14496A		Blower Housing Complete	36	712-0181		Hex Jam L-Nut 3/8-26 Thd.††
17	14541		Right Angle Bracket				

††Optional Parts

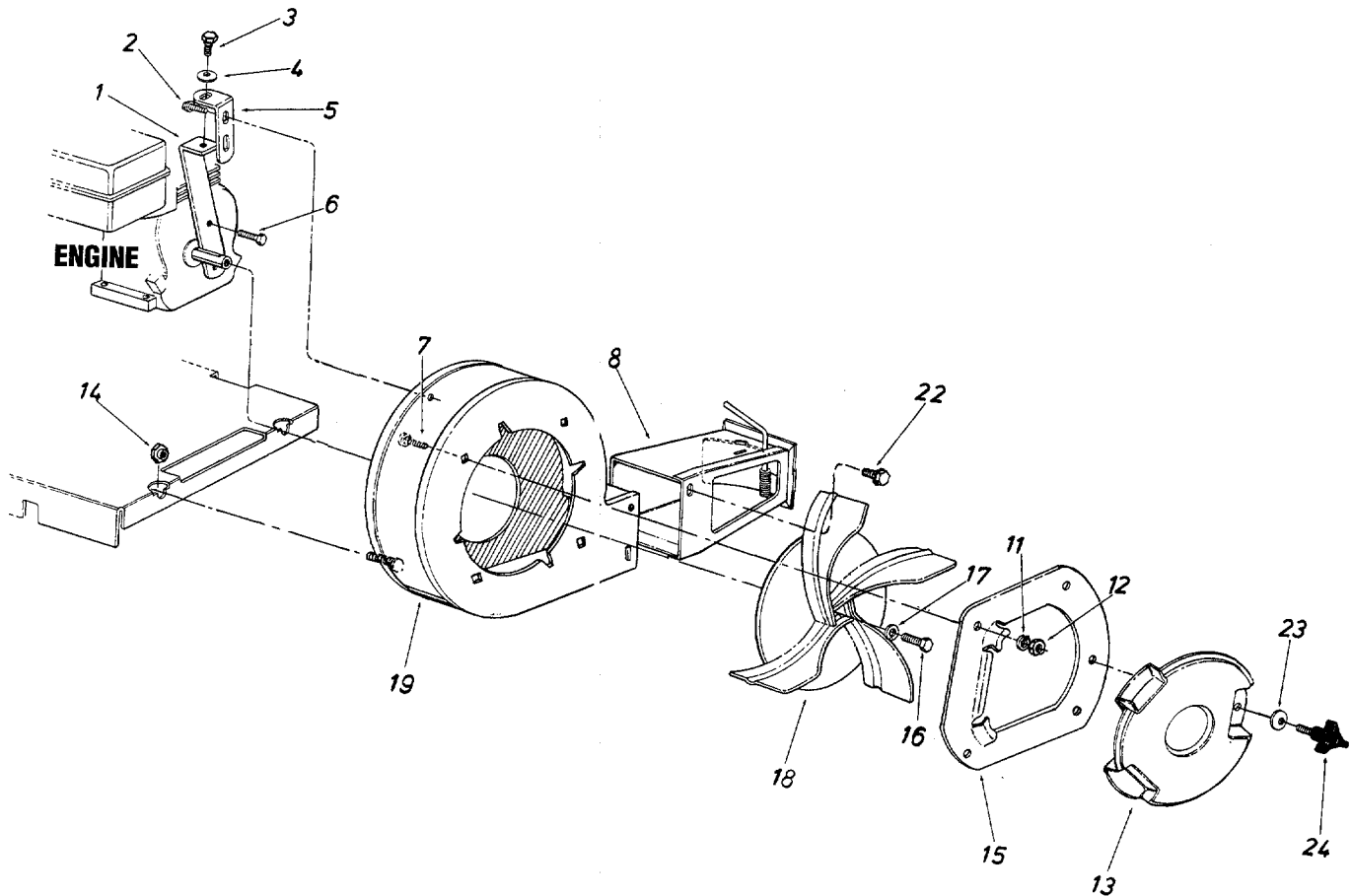
# Models 692 and 693



**PARTS LIST FOR MODELS 692 AND 693 LEAF BLOWERS**

REF. NO.	PART NO.	CODE	DESCRIPTION	REF. NO.	PART NO.	CODE	DESCRIPTION
1	749-0784		Upper Handle	21	710-0170		Hex Locking Bolt 5/16-24 x .64" Lg.
2	726-0100		Push Nut 3/8" Rod	22	736-0162		Fl-Wash. (692 Only)
3	720-0171		Crank Knob	23	736-0300		Fl-Wash. .38" I.D. x .57"
4	736-0117		Fl-Wash. .385" I.D. x .62"	24	750-0528		Spacer .382" I.D. x .50" x .180" Lg.
5	714-0114		Sq. Key 1/4" x 2.0" Lg.*	25	736-0169		L-Wash. 3/8" I.D.*
6	710-0442		Hex Bolt 5/16-18 x 1.50" Lg.*	26	712-0354		Hex Nut 3/8-8 Thd.
7	16453		Engine Mounting Frame Ass'y.	27	710-0118		Hex Bolt 5/16-18 x .75" Lg.*
8	736-0119		L-Wash. 5/16" I.D.*	28	711-0797		Ferrule
9	712-0267		Hex Nut 5/16-18 Thd.*	29	09966		Hand Knob
10	736-0187		Fl-Wash. .63" I.D. x 1.25"	30	710-0487		Carriage Bolt 5/16-18 x 2.0"
11	714-0115		Cotter Pin 1/8" Dia. x 1.0"	31	749-0785		Lower Handle
12	712-0206		Hex Nut 1/2-13 Thd.*	32	734-1035		Wheel Ass'y. Comp. 12" x 3" (Plastic) (Incl. Bearings)
13	736-0921		L-Wash. 1/2" I.D.*				Wheel Ass'y. Comp. 10.5" x 4" (Steel)
14	734-1036		Swivel Caster Wheel 5" Dia. x 1.25"				Tire Only (For 734-1184 Wheel)
15	16273		Caster Arm Ass'y.				Rim Only (For 734-1184 Wheel)
16	710-0726		Hex Wash. Hd. "AB" Tap Scr. 5/16" x .75" Lg.				Flange Bearings (For 734-1184 Wheel)
17	14529		Caster Arm Bracket				
18	747-0542		Height Adjustment Crank				
20	736-0159		Fl-Wash. .34" I.D. x .87" O.D.				

# Models 692 and 693



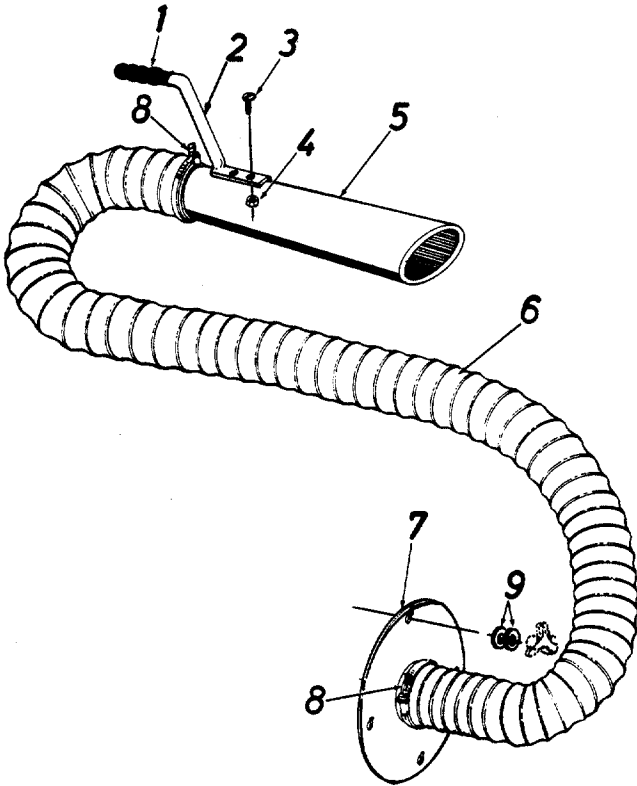
## PARTS LIST FOR MODELS 692 AND 693 LEAF BLOWERS

REF. NO.	PART NO.	CODE	DESCRIPTION	REF. NO.	PART NO.	CODE	DESCRIPTION
1	14539		Engine Housing Brace Ass'y.	14	711-0758		Hex Shoulder Nut .50" I.D.
2	710-0600		Hex Self-Tap Scr. 5/16" x .5"	15	14563		Nozzle Plate Ass'y.
3	710-0118		Hex Bolt 5/16-18 x .75" Lg.*	16	710-0191		Hex Bolt 3/8-24 x 1.25**
4	736-0119		L-Wash. 5/16" I.D.*	17	736-0217		L-Wash. 3/8" I.D.-H.D.
5	14541		Right Angle Bracket	18	14536A		Air Vane Plate Ass'y.
6	710-0627		Hex Locking Bolt 5/16-24 x .75"	19	14496A		Blower Housing Ass'y.-Comp.
7	710-0260		Carriage Bolt 5/16-18 x .62"	22	710-0259		Hex Sems Bolt 5/16-18 x .62" Lg.*
8	14479		Directional Discharge Ass'y.	23	736-0242		Bell-Wash. .34" I.D. x .87" O.D.
11	736-0119		L-Wash. 5/16" I.D.*	24	720-0170		3-Arm Thumb Scr. 5/16-18 x .75" Lg.
12	712-0267		Hex Nut 5/16-18 Thd.*				
13	731-0608		Blower Guard				

\*For faster service obtain standard nuts, bolts and washers locally. If these items cannot be obtained locally, order by part number and size as shown on parts list.

## Hose Attachment Kit

**Model Number  
290-204-000**

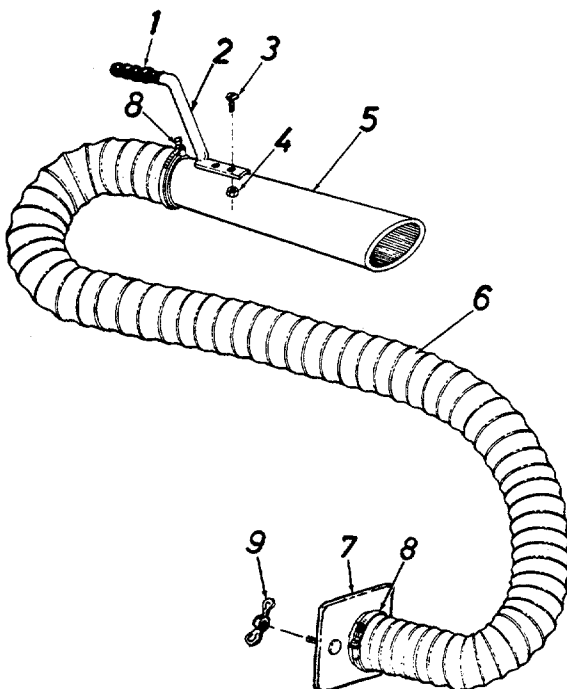


### PARTS LIST FOR KIT 290-204-000

REF. NO.	PART NO.	DESCRIPTION
1	07071	Handle Grip
2	12229A	Handle
3	710-0399	Truss Sems Scr. 10-24 x 1/2" Lg.*
4	712-0121	Hex Nut 10-24 Thd.*
5	731-0213	Hose Nozzle
6	723-0294	Flexible Hose 4" Dia. x 10' Lg.
7	14568	Hose Adapter
8	723-0295	Hose Clamp—For 4" Dia. Hose
9	736-0231	Flat Washer .34 I.D. x 1.12 O.D.
10	764-0126	Bag (Optional)

## Hose Attachment Kit

**Model Number  
290-210-000**



### PARTS LIST FOR MODEL 290-210 HOSE KIT

REF. NO.	PART NO.	DESCRIPTION
1	070712	Handle Grip
2	12229	Handle
3	710-0399	Truss Sems Scr. 10-24 x 1/2" Lg.*
4	712-0121	Hex Nut 10-24 Thd.*
5	731-0213	Hose Nozzle
6	723-0294	Flexible Hose 4" Dia. x 10'
7	15776	Hose Adapter Plate
8	723-0295	Hose Clamp—4"
9	712-0113	Wing Nut 1/4-20 Thd.

## Free Manuals Download Website

<http://myh66.com>

<http://usermanuals.us>

<http://www.somanuals.com>

<http://www.4manuals.cc>

<http://www.manual-lib.com>

<http://www.404manual.com>

<http://www.luxmanual.com>

<http://aubethermostatmanual.com>

Golf course search by state

<http://golfingnear.com>

Email search by domain

<http://emailbydomain.com>

Auto manuals search

<http://auto.somanuals.com>

TV manuals search

<http://tv.somanuals.com>