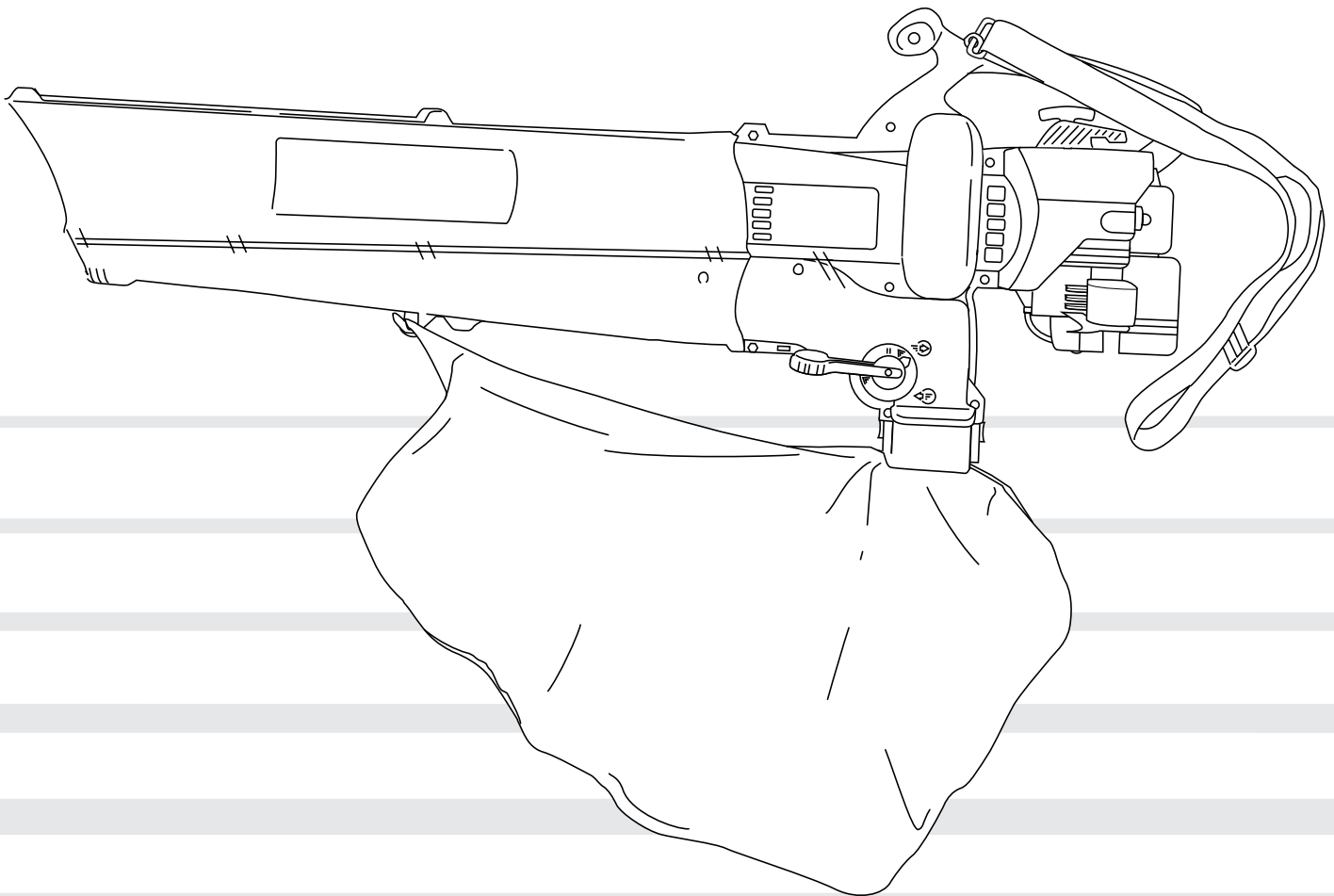




60-3857-0

Gas Powered Mulching Blower / Vacuum

OPERATOR'S MANUAL



FOR QUESTIONS, CALL 1-888-939-0992

IMPORTANT MANUAL

DO NOT THROW AWAY

INTRODUCTION

THANK YOU

Thank you for buying this quality product. This modern outdoor power tool will provide many hours of useful service. You will find it to be a great labor-saving device. This operator's manual provides you with easy-to-understand operating instructions. Read the whole manual and follow all the instructions to keep your new outdoor power tool in top operating condition.

PRODUCT REFERENCES, ILLUSTRATIONS AND SPECIFICATIONS

All information, illustrations and specifications in this manual are based on the latest product information available at the time of printing. We reserve the right to make changes at any time without notice.

Copyright© 2003 MTD SOUTHWEST INC
All Rights Reserved.

SERVICE INFORMATION

Service on this unit both within and after the warranty period should be performed only by an authorized and approved service dealer.

Dial:

- **1-888-939-0992** in Canada to obtain a listing of authorized service dealers near you.

DO NOT RETURN THE UNIT TO THE RETAILER.

NOTE: PROOF OF PURCHASE WILL BE REQUIRED FOR WARRANTY SERVICE.

Make sure you carefully read and understand this manual before starting or operating this equipment.

THIS PRODUCT IS COVERED BY ONE OR MORE US PATENTS, OTHER PATENTS PENDING.

TABLE OF CONTENTS

I.	Rules for Safe Operation	3-7
	A. Important Safety Information	4
	B. Safety and International Symbols	6
	C. Know Your Unit	7
II.	Assembly Instructions	8-9
	A. Attaching and Removing the Blower/Vacuum Tube	8
	B. Attaching and Removing the Vacuum Bag	9
	C. Installing and Adjusting the Shoulder Harness	9
III.	Oil and Fuel Information	10
IV.	Starting/Stopping Instructions	11
V.	Operating Instructions	12-14
	A. Holding the Blower / Vacuum	12
	B. Operating Tips	12
	C. Operating as a Blower	12
	D. Operating as a Vacuum	13
	E. Clearing a Blocked Tube/Impeller	14
	F. Empty the Vacuum Bag	14
VI.	Maintenance and Repair Instructions	15-18
	A. Maintenance Schedule	15
	B. Air Filter Maintenance	15
	C. Spark Arrestor Maintenance	16
	D. Carburetor Adjustment	17
	E. Replacing the Spark Plug	17
	F. Cleaning and Storage	18
	G. Accessories/Replacement parts	18
VII.	Troubleshooting Chart	19
VIII.	Specifications	20
IX.	Warranty	22
X.	Parts List	Inside Back Cover



CONTENTS OF CARTON

This unit includes the following:

- Gas-powered Mulching Blower/Vacuum
- Blower/Vacuum Tube
- Vacuum bag
- Shoulder Harness
- Hardware Pack
- Bottle of 2-Cycle Oil
- Operator's Manual

Examine all parts to make certain that nothing is missing and no breakage has occurred during shipping. Any damaged or missing part must be replaced before using this product.

CALIFORNIA PROPOSITION 65 WARNING

	WARNING	
<p>THE ENGINE EXHAUST FROM THIS PRODUCT CONTAINS CHEMICALS KNOWN TO THE STATE OF CALIFORNIA TO CAUSE CANCER, BIRTH DEFECTS OR OTHER REPRODUCTIVE HARM.</p>		

SPARK ARRESTOR

NOTE: For users on U.S. Forest Land and in the states of California, Maine, Oregon and Washington. All U.S. Forest Land and the state of California (Public Resources Codes 4442 and 4443), Oregon and Washington require, by law that certain internal combustion engines operated on forest brush and/or grass-covered areas be equipped with a spark arrestor, maintained in effective working order, or the engine be constructed, equipped and maintained for the prevention of fire. Check with your state or local authorities for regulations pertaining to these requirements. Failure to follow these requirements could subject you to liability or a fine. **This unit is factory equipped with a spark arrestor.** If it requires replacement, ask your LOCAL SERVICE DEALER to install the **Accessory Part #182747 Spark Arrestor Kit.**

WARNING!

Read the Operator's Manual(s) and follow all warnings and safety instructions. Failure to do so can result in serious injury to the operator and/or bystanders.

FOR QUESTIONS, CALL 1-800-345-8746 IN U.S. OR 1-800-668-1238 IN CANADA


RULES FOR SAFE OPERATION

The purpose of safety symbols is to attract your attention to possible dangers. The safety symbols, and their explanations, deserve your careful attention and understanding. The safety warnings do not by themselves eliminate any danger. The instructions or warnings they give are not substitutes for proper accident prevention measures.

NOTE: Advises you of information or instructions vital to the operation or maintenance of the equipment.


SYMBOL	MEANING
--------	---------




	<p>SAFETY ALERT SYMBOL: Indicates danger, warning or caution. Attention is required in order to avoid serious personal injury. May be used in conjunction with other symbols or pictographs.</p>
---	---

SYMBOL	MEANING
--------	---------




	<p>DANGER: Failure to obey a safety warning will result in serious injury to yourself or to others. Always follow the safety precautions to reduce the risk of fire, electric shock and personal injury.</p>
---	---



	<p>WARNING: Failure to obey a safety warning can result in injury to yourself and others. Always follow the safety precautions to reduce the risk of fire, electric shock and personal injury.</p>
---	---



	<p>CAUTION: Failure to obey a safety warning may result in property damage or personal injury to yourself or to others. Always follow the safety precautions to reduce the risk of fire, electric shock and personal injury.</p>
---	---

RULES FOR SAFE OPERATION

• IMPORTANT SAFETY INFORMATION •

READ ALL INSTRUCTIONS BEFORE OPERATING



WARNING: When using the unit, you must follow the safety rules. For your own safety and that of bystanders, please read these instructions before operating the unit. Please keep the instructions for later use.

- Read the instructions carefully. Be familiar with the controls and proper use of the unit.
- Do not operate this unit when tired, ill, or under the influence of alcohol, drugs, or medication.
- Children and teens under the age of 15 must not use the unit, except for teens guided by an adult.
- All guards and safety attachments must be installed properly before operating the unit.
- Inspect the unit before use. Replace damaged parts. Check for fuel leaks. Make sure all fasteners are in place and secure. Replace parts that are cracked, chipped, or damaged in any way. Do not operate the unit with loose or damaged parts.
- Carefully inspect the area before starting the unit. Remove all debris and hard or sharp objects such as glass, wire, etc.
- Clear the area of children, bystanders, and pets. At a minimum, keep all children, bystanders, and pets outside a 50 feet (15 m.) radius; there still may be a risk to bystanders from thrown objects. Bystanders should be encouraged to wear eye protection. If you are approached, stop the unit immediately.

SAFETY WARNINGS FOR GAS UNITS



WARNING: Gasoline is highly flammable, and its vapors can explode if ignited. Take the following precautions:

- Store fuel only in containers specifically designed and approved for the storage of such materials.
- Avoid creating a source of ignition for spilled fuel. Do not start the engine until fuel vapors dissipate.
- Always stop the engine and allow it to cool before filling the fuel tank. Never remove the cap of the fuel tank, or add fuel, when the engine is hot. Never operate the unit without the fuel cap securely in place. Loosen the fuel tank cap slowly to relieve any pressure in the tank.
- Mix and add fuel in a clean, well-ventilated outdoor area where there are no sparks or flames. Slowly remove the fuel cap only after stopping engine. Do not smoke while fueling or mixing fuel. Wipe up any spilled fuel from the unit immediately. Always wipe unit dry before using.
- Move the unit at least 30 feet (9.1 m) from the fueling source and site before starting the engine. Do not smoke or allow sparks and open flames near the area while adding fuel or operating the unit.

WHILE OPERATING

- Never start or run the unit inside a closed room or building. Breathing exhaust fumes can kill. Operate this unit only in a well-ventilated outdoor area.
- To reduce the risk of injury associated with thrown objects, wear safety glasses or goggles that are marked as meeting ANSI Z87.1 standards.
- Never run the unit without the the proper equipment attached. When using this unit, always install the blower/vacuum tubes and vacuum bag depending on model. Make sure the vacuum bag is completely zipped closed.
- To reduce the risk of hearing loss associated with sound level(s), always wear ear/hearing protection when operating this unit.
- Wear heavy, long pants, boots, and gloves. Do not wear short pants, sandals, or go barefoot.
- To avoid static electricity shock, do not wear rubber gloves or any other insulated gloves while operating this unit.
- To reduce the risk of injury associated with objects being drawn into rotating parts, do not wear loose clothing, jewelry, scarves, and the like. Secure hair above shoulder level.
- Wear a face or dust mask if the operation is dusty. Long sleeve shirts are recommended.
- Use the unit only in daylight or good artificial light.
- Keep outside surfaces free from oil and fuel.
- Avoid accidental starting. Be in the starting position whenever pulling the starter rope. The operator and unit must be in a stable position while starting. Refer to *Starting/Stopping Instructions*.
- Do not set unit on any surface except a clean, hard area while engine is running. Debris such as gravel, sand, dust, grass, etc. could be picked up by the air intake and thrown out by the discharge opening, damaging unit, property, or causing serious injury to bystanders or operator.
- Use the right tool. Only use this tool for the purpose intended.
- Do not force unit. It will do the job better and with less likelihood of injury at a rate for which it was designed.
- Do not overreach or use from unstable surfaces such as ladders, trees, steep slopes, rooftops, etc. Always keep proper footing and balance.
- Always hold the unit with a firm grip when operating.
- Keep hands, face, and feet at a distance from all moving parts. Do not touch or try to stop the impeller when it is rotating. Do not operate without guards in place.
- Do not put any object into openings. Do not use with any opening blocked; keep free of dirt, debris and anything that may reduce the air flow.

RULES FOR SAFE OPERATION

- Do not touch the engine or muffler. These parts get extremely hot from operation. When turned off they remain hot for a short time.
- Do not operate the engine faster than the speed needed to do the job. Do not run the engine at high speed when not in use.
- Always stop the engine when operation is delayed or when walking from one location to another.
- Stop the engine for maintenance, repair, to install or remove the blower tubes or vacuum attachments. The unit must be stopped and the impeller no longer turning to avoid contact with the rotating blades.
- Use only Genuine Factory Parts™ replacement parts when servicing this unit. These parts are available from your authorized service dealer. Do not use unauthorized parts, accessories, or attachments for this unit. Doing so could lead to serious injury to the user, or damage to the unit, and void your warranty.
- Never use this unit for spreading chemicals, fertilizers or other substances which may contain toxic materials.
- To reduce fire hazard, replace faulty muffler and spark arrestor, keep the engine and muffler free from grass, leaves, excessive grease or carbon build up.

WHILE OPERATING UNIT AS A BLOWER

- Never point the blower in the direction of people or pets, or in the direction of windows. Always direct the blowing debris away from people, animals, and windows. Use extra caution when blowing debris near solid objects such as trees, automobiles, walls, etc.

WHILE OPERATING UNIT AS A VACUUM

- Avoid situations that could catch the vacuum bag on fire. Do not operate near an open flame. Do not vacuum warm ash from fireplaces, barbecue pits, brush piles, etc. Do not vacuum discarded cigars or cigarettes unless the cinders are completely cool.

- The unit is designed to pickup dry material such as leaves, grass, small twigs, and bits of paper. Do not attempt to vacuum wet debris and/or standing water as this may result in damage to the blower/ vacuum. To avoid severe damage to the impeller, do not vacuum metal, broken glass, etc.

OTHER SAFETY WARNINGS

- Always disconnect the spark plug before performing maintenance or accessing movable parts.
- Never store the unit, with fuel in the tank, inside a building where fumes may reach an open flame (pilot lights, etc.) or sparks (switches, electrical motors, etc.).
- Allow the engine to cool before storing or transporting. Be sure to secure the unit while transporting.
- Store the unit in a dry place, either locked up or up high to prevent unauthorized use or damage. Keep out of the reach of children.
- Never douse or squirt the unit with water or any other liquid. Keep handles dry, clean, and free from debris. Clean after each use, see *Cleaning and Storage* instructions.
- Keep these instructions. Refer to them often and use them to instruct other users. If you loan this unit to others, also loan these instructions to them.

SPECIAL NOTE: Exposure to vibrations through prolonged use of gasoline powered hand tools could cause blood vessel or nerve damage in the fingers, hands, and joints of people prone to circulation disorders or abnormal swelling. Prolonged use in cold weather has been linked to blood vessel damage in otherwise healthy people. If symptoms occur such as numbness, pain, loss of strength, change in skin color or texture, or loss of feeling in the fingers, hands or joints, discontinue use of this tool and seek medical attention. An anti-vibration system does not guarantee avoidance of these problems. Users who operate power tools on a regular basis must closely monitor their physical condition and the condition of this tool.

SAVE THESE INSTRUCTIONS

RULES FOR SAFE OPERATION

SAFETY AND INTERNATIONAL SYMBOLS

This operator's manual describes safety and international symbols and pictographs that may appear on this product. Read the operator's manual for complete safety, assembly, operating and maintenance and repair information.

SYMBOL

MEANING



• SAFETY ALERT SYMBOL

Indicates danger, warning, or caution. May be used in conjunction with other symbols or pictographs.



• WARNING - READ OPERATOR'S MANUAL

Read the Operator's Manual(s) and follow all warnings and safety instructions. Failure to do so can result in serious injury to the operator and/or bystanders.



• WEAR EYE AND HEARING PROTECTION

WARNING: Thrown objects and loud noise can cause severe eye injury and hearing loss. Wear eye protection meeting ANSI Z87.1-1989 standards and ear protection when operating this unit. Use a full face shield when needed.



• KEEP BYSTANDERS AWAY

WARNING: Keep all bystanders, especially children and pets, at least 50 feet (15 m.) from the operating area.



• UNLEADED FUEL

Always use clean, fresh unleaded fuel.



• OIL

Refer to operator's manual for the proper type of oil.



• THROWN OBJECTS AND ROTATING CUTTER CAN CAUSE SEVERE INJURY

WARNING: Keep clear of blower outlet. Never point the blower at yourself or others. Objects can be thrown from blower. Do not operate unit without proper attachments and guards in place.

SYMBOL

MEANING



• ON/OFF STOP CONTROL

ON / START / RUN



• ON/OFF STOP CONTROL

OFF OR STOP



• HOT SURFACE WARNING

Do not touch a hot muffler or cylinder. You may get burned. These parts get extremely hot from operation. When you turn off the unit, they remain hot for a short time.



• CHOKE CONTROL

A • FULL choke position

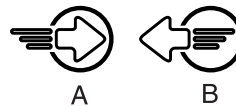
B • PARTIAL choke position

C • RUN position



• BLOWERS - ROTATING IMPELLER BLADES CAN CAUSE SEVERE INJURY

WARNING: Stop the engine and allow the impeller to stop before you open the vacuum door, clean the unit, service the unit or install/change the tubes or the bag.



• BLOWER/VACUUM MODE CHANGE-OVER LEVER

A - Vacuum mode

B - Blower mode



• THROTTLE CONTROL

Indicates "HIGH" or "FASTEST" speed.



• THROTTLE CONTROL

Indicates "IDLE," "LOW" or "SLOWEST" speed.

RULES FOR SAFE OPERATION

KNOW YOUR UNIT

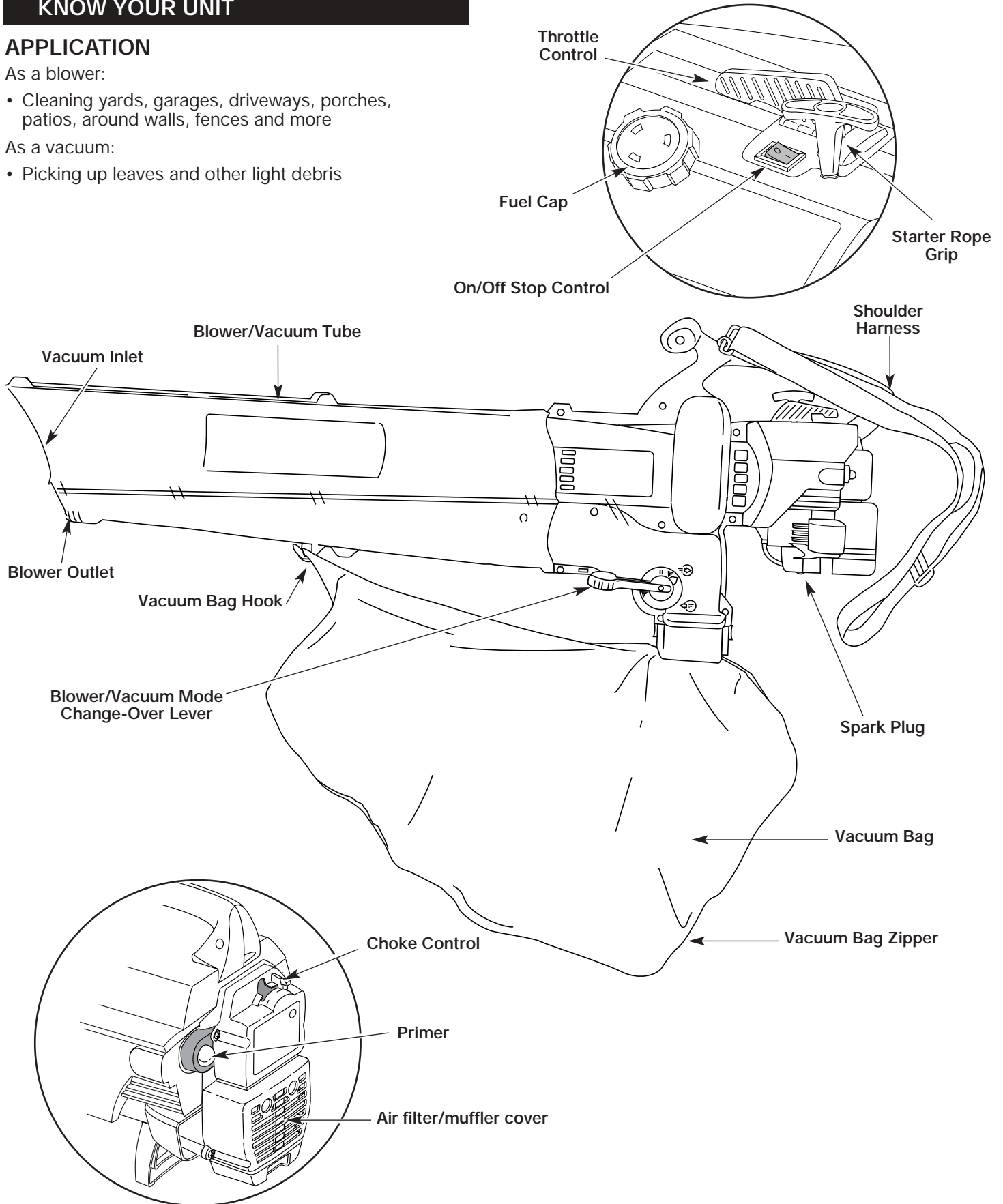
APPLICATION

As a blower:

- Cleaning yards, garages, driveways, porches, patios, around walls, fences and more

As a vacuum:

- Picking up leaves and other light debris



ASSEMBLY INSTRUCTIONS

ATTACHING AND REMOVING THE BLOWER/VACUUM TUBE



WARNING: To avoid serious personal injury, the blower/vacuum tube and vacuum bag must be used when operating this unit.

Attaching

NOTE: The blower/vacuum tube comes unassembled on this unit. Installation is required to provide safe and easy use for the operator.



WARNING: To prevent serious personal injury, stop the engine, disconnect the spark plug wire and allow the impeller to stop before attaching or removing tubes.

1. Remove the screws and nuts provided from the hardware pack.
2. Insert the blower/vacuum tube all the way into the opening on the motor housing until the holes in the tabs on the blower/vacuum tube align with the screw holes in the housing (Fig. 1).
3. Insert the 2 (two) 8-32 x 3/4" slotted T20 Torx screws into the right side of the motor housing and the 2 (two) nuts into the left side of the motor housing (Fig. 1).

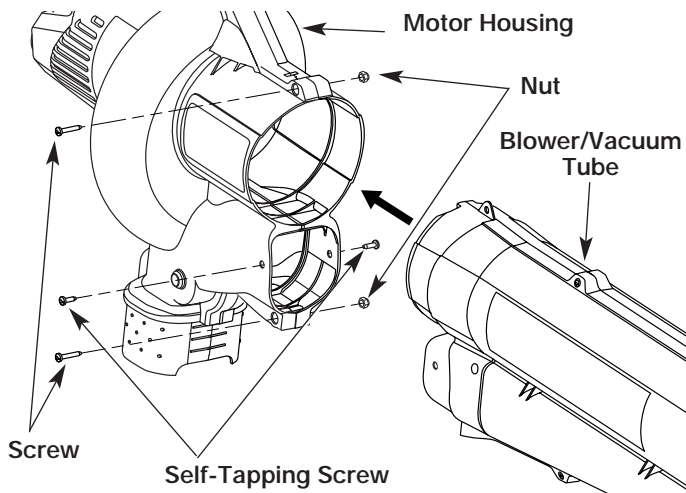


Fig. 1

4. Tighten the screws firmly. Do not over-tighten.
5. Install the 2 (two) remaining self-tapping 8-16 x 3/4" slotted T20 Torx screws into the holes on either side of the housing (Fig. 1). Tighten until snug, but do not over-tighten.

Removing

NOTE: It may be necessary to remove the blower/vacuum tube to clear a blocked tube or impeller.



WARNING: To prevent serious personal injury, stop the engine and allow the impeller to stop before attaching or removing tubes.

1. Remove the 2 (two) self-tapping screws from either side of the housing.
2. Remove the 2 (two) screws and nuts holding the blower/vacuum tube on the housing (Fig. 2).

NOTE: Keep the hardware in a safe place for future use.

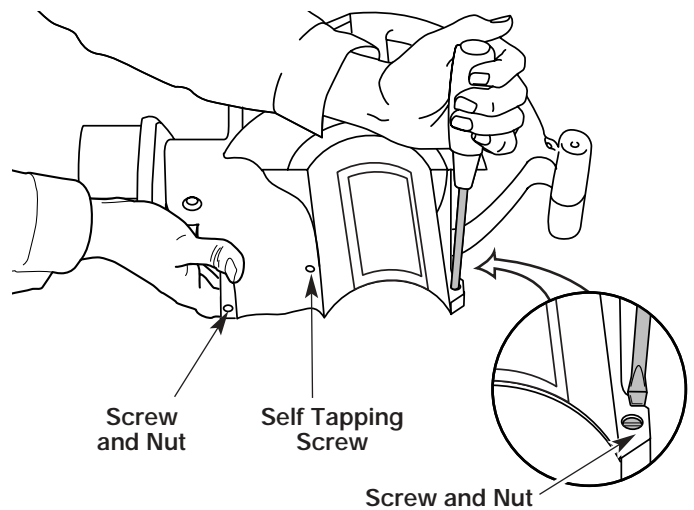


Fig. 2

3. Remove the blower/vacuum tube from the motor housing.
4. Replace the blower/vacuum tube before use.

ASSEMBLY INSTRUCTIONS

ATTACHING AND REMOVING THE VACUUM BAG

Attaching

1. Attach the vacuum bag to the vacuum bag hook on the blower/vacuum tube (Fig. 3).

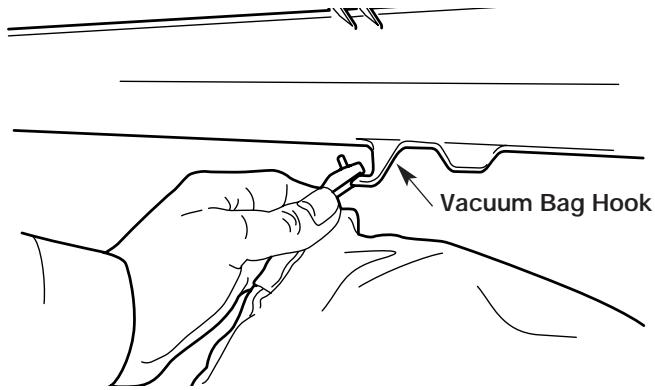


Fig. 3

2. Slide the vacuum bag tube over the debris exhaust tube on the housing. Push the tube until the latching tabs on both sides click into place, securing the bag on the unit (Fig. 4).

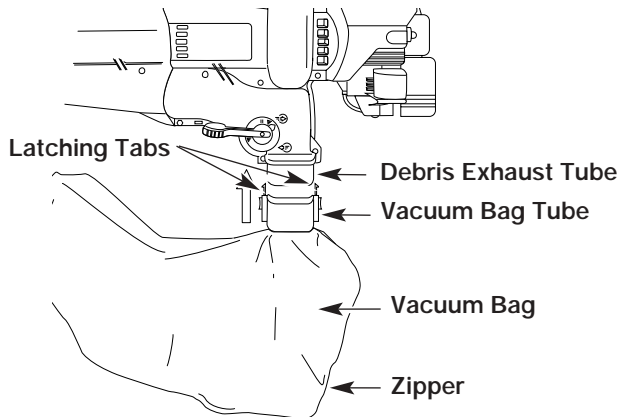


Fig. 4

Removing

1. Press the latching tabs on both sides of the vacuum bag tube and pull the vacuum bag down from the unit (Fig. 5).
2. Detach the vacuum bag from the vacuum bag hook.

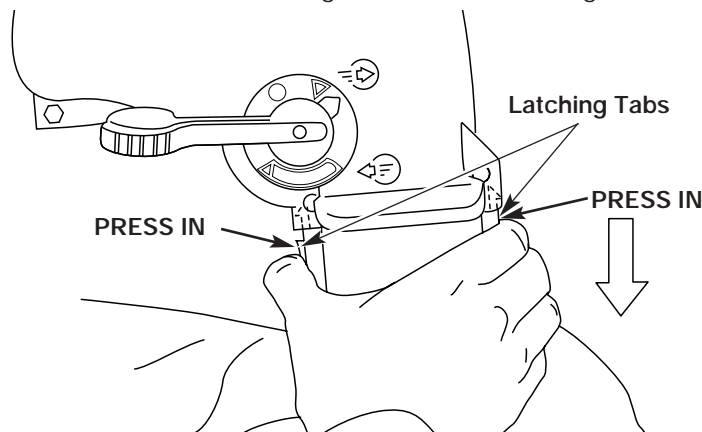


Fig. 5

INSTALLING THE SHOULDER HARNESS



WARNING: To avoid serious personal injury, never attempt to start the unit when you are standing and the unit is clipped to the shoulder strap. Always follow the starting procedures as described in the *Starting/ Stopping Instructions* section.

1. Push the strap through the center of the buckle.
2. Pull the strap over the cross bar and down through the slot in the buckle (Fig. 6).

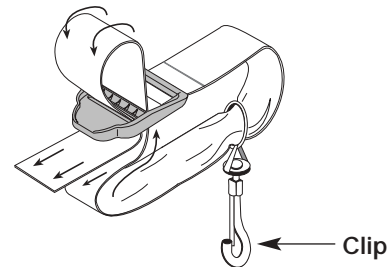


Fig. 6

3. Snap the clip on to the support fitting (Fig. 7).

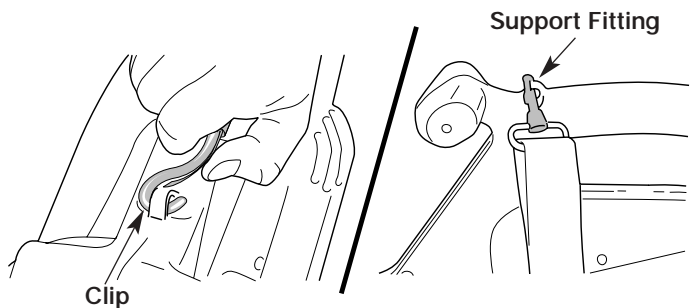


Fig. 7

4. While standing in the operating position adjust the length to fit the operator's size. Pull the tab to lengthen, pull the strap to shorten (Fig 8).

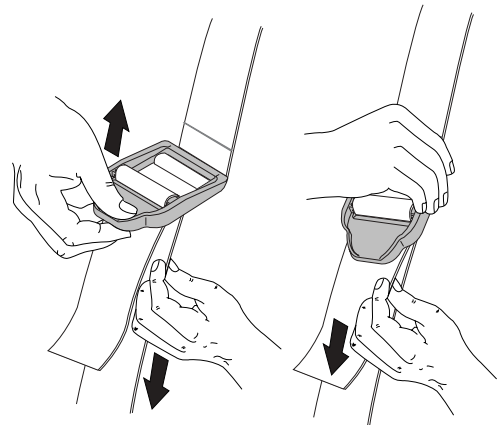


Fig. 8

5. Unclip the shoulder strap from the unit before you start the unit.

OIL AND FUEL INFORMATION

OIL AND FUEL MIXING INSTRUCTIONS

Old and/or improperly mixed fuel are the main reasons for the unit not running properly. Be sure to use fresh, clean unleaded fuel. Follow the instructions carefully for the proper fuel/oil mixture.

Definition of Blended Fuels

Today's fuels are often a blend of gasoline and oxygenates such as ethanol, methanol, or MTBE (ether). Alcohol-blended fuel absorbs water. As little as 1% water in the fuel can make fuel and oil separate. It forms acids when stored. When using alcohol-blended fuel, use fresh fuel (less than 60 days old).

Using Blended Fuels


If you choose to use a blended fuel, or its use is unavoidable, follow recommended precautions:

- Always use the fresh fuel mix explained in your operator's manual
- Always agitate the fuel mix before fueling the unit
- Drain the tank and run the engine dry before storing the unit

Using Fuel Additives



The bottle of 2-cycle oil that came with your unit contains a fuel additive which will help inhibit corrosion and minimize the formation of gum deposits. It is recommended that you use our 2-cycle oil with this unit.

If unavailable, use a good 2-cycle oil designed for air-cooled engines along with a fuel additive, such as STA-BIL® Gas Stabilizer or an equivalent. Add 0.8 oz. (23 ml.) of fuel additive per gallon of fuel according to the instructions on the container. NEVER add fuel additives directly to the unit's fuel tank.


	CAUTION: For proper engine operation and maximum reliability, pay strict attention to the oil and fuel mixing instructions on the 2-cycle oil container. Using improperly mixed fuel can severely damage the engine.
---	---


Thoroughly mix the proper ratio of 2-cycle engine oil with unleaded gasoline in a separate fuel can. Use a 40:1 fuel/oil ratio. Do not mix them directly in the engine fuel tank. See the table below for specific gas and oil mixing ratios.


NOTE: One gallon (3.8 liters) of unleaded gasoline mixed with one 3.2 oz. (95 ml.) bottle of 2-cycle oil makes a 40:1 fuel/oil ratio.

	+	
UNLEADED GAS		2 CYCLE OIL
1 GALLON US (3.8 LITERS)		3.2 FL. OZ. (95 ml)
1 LITER		25 ml

MIXING RATIO - 40:1

	WARNING: Gasoline is extremely flammable. Ignited Vapors may explode. Always stop the engine and allow it to cool before filling the fuel tank. Do not smoke while filling the tank. Keep sparks and open flames at a distance from the area.
--	--

	WARNING: Remove fuel cap slowly to avoid injury from fuel spray. Never operate the unit without the fuel cap securely in place.
---	--

	WARNING: Add fuel in a clean, well ventilated outdoor area. Wipe up any spilled fuel immediately. Avoid creating a source of ignition for spilt fuel. Do not start the engine until fuel vapors dissipate.
---	---

NOTE: Dispose of the old fuel/oil mix in accordance to Federal, State and Local regulations.

STARTING/STOPPING INSTRUCTIONS

STARTING INSTRUCTIONS



WARNING: Operate this unit only in a well-ventilated outdoor area. Carbon monoxide exhaust fumes can be lethal in a confined area.



WARNING: Avoid accidental starting. Make sure you are in the starting position when pulling the starter rope (Fig. 11). To avoid serious injury, the operator and unit must be in a stable position while starting.

Do not set unit on any surface except a clean, hard area while starting. Debris such as gravel, sand, dust and grass could be picked up by the air intake and thrown out by the discharge opening. This could damage the unit, property, or cause serious injury to bystanders or the operator.

1. Mix gas with oil. Fill fuel tank with fuel/oil mixture. Refer to *Oil and Fuel Mixing Instructions*.



WARNING: To avoid serious personal injury, always remove the vacuum bag prior to refueling the unit. The bag may become a fire hazard when saturated with fuel.

NOTE: The throttle control will remain in the position it's placed until moved. Fast position is to the right.

NOTE: Put on the shoulder harness and adjust it, but don't clip it to the support until the unit has started.

2. Set the blower/vacuum mode change-over lever to the up position (Blower Mode). See *Operating as a Blower*. This prevents the vacuum bag from filling up while starting the engine.
3. Fully press and release the primer bulb 10 times, slowly, until **FUEL IS VISIBLE IN THE PRIMER BULB** (Fig. 10). If you can't see fuel in the bulb, press and release the bulb as many times as it takes before you can see fuel in it.
4. Place the choke lever in the **FULL** choke (|←|) position (Fig. 10).
5. Place the unit in the starting position (Fig. 11). Move the throttle control to the fast position (↗) (Fig. 9).
6. Pull the starter rope briskly 5 times while still in the **FULL** choke (|←|) position. If the engine attempts to run before the fifth pull, proceed to Step 7.

NOTE: The engine won't run in the **FULL** choke (|←|) position.

7. Place the choke lever in the **PARTIAL** choke (|↘|) position (Fig. 10).
8. Pull starter rope briskly 1 to 3 times to start the engine (Fig. 11).
9. If the engine does not start, repeat steps 3 through 8.

NOTE: If the engine floods while trying to start, place the choke lever in the **RUN** (|↑|) position (Fig. 10). Move the throttle control to the fast position (↗) (Fig. 9). Pull the starter rope briskly. The engine should start with three (3) to eight (8) pulls.

10. Allow the engine to warm up for 5 to 10 seconds. Place the choke lever in the **RUN** (|↑|) position.

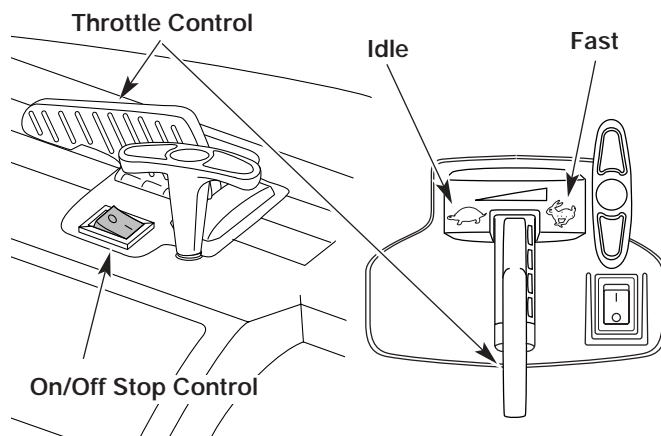


Fig. 9

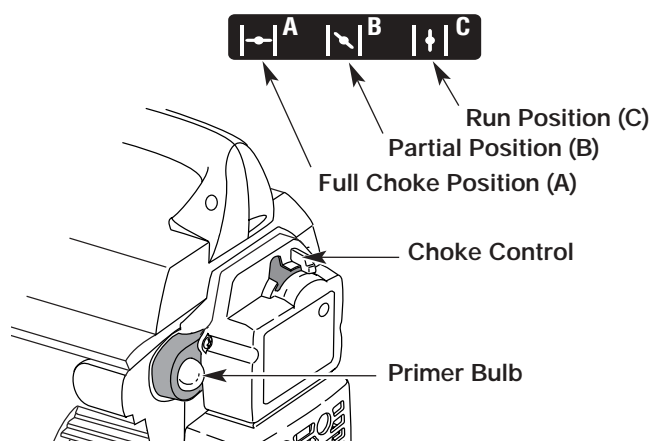


Fig. 10

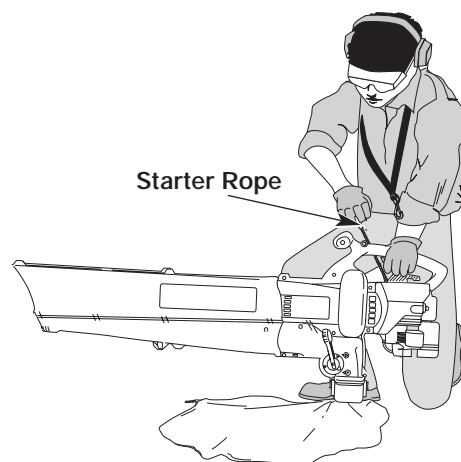


Fig. 11

NOTE: Choking is unnecessary when starting a warm engine. Put the throttle control in the fast position (↗) (Fig. 9) and start unit with the choke control in the **PARTIAL** (|↘|) position (Fig. 10).

STOPPING INSTRUCTIONS

1. Move the throttle control to the idle position (↖) (Fig. 9). Allow the engine to cool down by idling for 10-15 seconds.
2. Press the On/Off Stop control down in the **STOP** (O) position until the engine comes to a complete stop.

OPERATING INSTRUCTIONS

HOLDING THE BLOWER/VACUUM

Before operating the unit, stand in the operating position. (Fig. 12). Check for the following:

- Operator is wearing proper clothing, such as boots, safety glasses or goggles, ear/hearing protection, gloves, long pants and long sleeve shirt



WARNING: To avoid serious personal injury, wear goggles or safety glasses at all times when operating this unit. Wear a face mask or dust mask in dusty locations

- If the conditions are dusty, the operator is wearing a dust mask or face mask
- The unit is in good working condition
- The tubes and guards are in place and secure



WARNING: To prevent serious personal injury or damage to the unit, make sure blower tubes or vacuum tubes and the vacuum bag are in place before you operate the unit.

OPERATING TIPS

- Be sure the vacuum bag is zipped closed before operating the unit.
- Assure the unit is not directed at anybody or at any loose debris before starting the unit.
- Verify that the unit is in good working condition. Make sure the tubes and guards are in place and secure.
- Always hold the unit with both hands when operating. Keep a firm grip on both the front and rear handle or grips.
- To reduce the risk of hearing loss associated with sound level(s), hearing protection is required.
- Operate power equipment only at reasonable hours— not early in the morning or late at night when people might be disturbed. Comply with times listed in local ordinances. Usual recommendations are 9:00 am to 5:00 pm, Monday through Saturday.



Fig. 12

- To reduce noise levels, limit the number of pieces of equipment used at any one time.
- To reduce noise levels, operate power blowers at the lowest possible speed to do the job.
- Check your equipment before operation, especially the muffler, air intakes and air filters.
- Use rakes and brooms to loosen debris before blowing.
- In dusty conditions, slightly dampen surfaces or use a mister attachment when water is available.
- Conserve water by using power blowers instead of hoses for many lawn and garden applications, including areas such as gutters, screens, patios, grills, porches and gardens.
- Watch out for children, pets, open windows or freshly washed cars, and blow debris safely away.
- Use the full blower nozzle extension so the air stream can work close to the ground.
- Clean up after using blowers and other equipment. Dispose of debris appropriately.

OPERATING AS A BLOWER

Converting to a Blower

1. Start the engine. See *Starting/Stopping Instructions*.
2. Set the blower/vacuum mode change-over lever to the up position (Blower Mode) (Fig. 13).

NOTE: Never use the unit with the lever in a position half way between either mode.

3. Place the shoulder harness over your head, onto your shoulder and adjust it if necessary. Refer to *Installing the Shoulder Harness*.

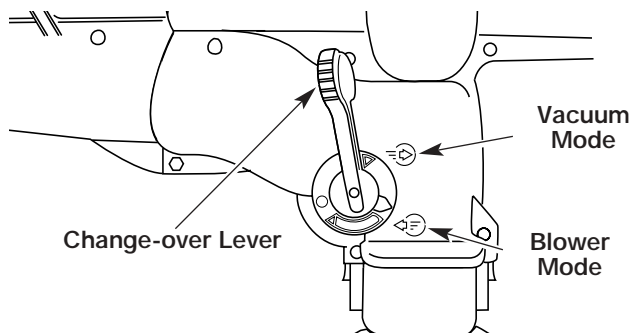


Fig. 13

OPERATING INSTRUCTIONS

Blower Operating Procedures

Hold the blower as shown in Figures 14, 15, and 16. Sweep from side to side with the nozzle several inches above the ground or floor. Slowly advance the unit, keeping the accumulated pile of debris in front of you.

Most dry blowing operations are better suited to low speeds, rather than high. High speed blowing is a better way to move heavier items like large debris or gravel.

1. Use the blower for trees, shrubs, flower beds and hard-to-clean areas (Fig. 14).
2. Use the unit around buildings and for other normal cleaning procedures (Fig. 15).
3. Use the blower around walls, overhangs, fences and screens (Fig. 16).



Fig. 14



Fig. 15

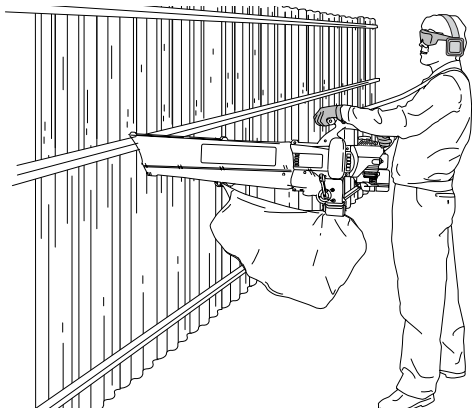


Fig. 16

OPERATING AS A VACUUM

Converting to Vacuum

1. Start engine. See *Starting/Stopping Instructions*.
2. Set the blower/vacuum mode change-over lever to the down position (Vacuum Mode) (Fig. 17).

NOTE: Never use the unit with the lever in a position half way between either mode.

3. Place the shoulder harness over your head, onto your shoulder and adjust it if necessary. Refer to *Installing the Shoulder Harness*.

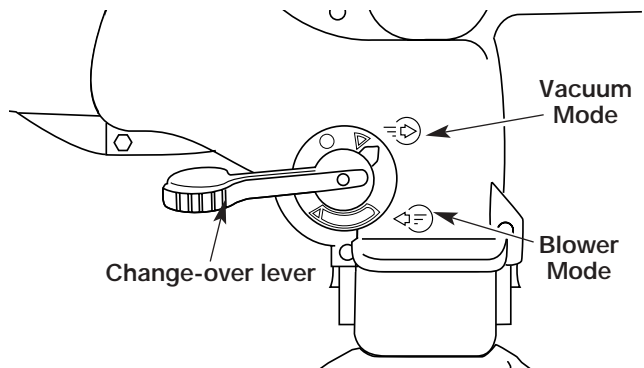


Fig. 17



WARNING: To prevent serious personal injury or damage to the unit, always install vacuum tubes, the vacuum bag and make sure the vacuum bag is completely zipped closed when operating this unit as a vacuum.

Vacuum Operation Procedures

Check for the following before operating the unit:

- Operator is wearing proper clothing, such as boots, safety glasses or goggles, ear/hearing protection, gloves, long pants and long sleeve shirt
- If the conditions are dusty, operator is equipped with a dust mask or face mask
- The unit is in good working condition-- the vacuum tubes and vacuum bag are in place and secure.
- The shoulder harness is in place and correctly adjusted

Use the unit for vacuuming up light debris like leaves and paper.

Hold the vacuum, tilting the suction tube slightly (2-4 in or 50-100 mm), and use a sweeping action to collect light debris (Fig. 18). The debris will flow into the vacuum bag. Items such as small leaves and small twigs will be mulched as they pass through the fan housing, allowing the vacuum bag to hold more debris.

When the bag is full, suction will noticeably decrease. Turn off the unit and allow the impeller to stop before you remove and unzip the bag. Unzip the bag and empty the contents before continuing. Refer to *Emptying the Vacuum Bag*.

OPERATING INSTRUCTIONS



Fig. 18



WARNING: To avoid serious personal injury, never unzip the vacuum bag without stopping the unit first.



WARNING: As a vacuum, the unit is designed to pick up dry material such as leaves, grass, small twigs and bits of paper. To avoid serious personal injury, do not attempt to vacuum wet debris and/or standing water as this may result in damage to the blower/ vacuum. To avoid severe damage to the impeller, do not vacuum metal, broken glass or similar items.



WARNING: Avoid situations that could catch the vacuum bag on fire. Do not operate near an open flame. Do not vacuum warm ash from fireplaces, barbecue pits, brush piles, etc. Do not vacuum discarded cigars or cigarettes unless the cinders are completely cool.

When the bag is full, suction will noticeably decrease. Turn off the unit before removing the bag. Remove and unzip the bag and empty the contents before continuing.

NOTE: Empty the bag after each use to avoid deterioration and obstructing air flow, which will reduce the performance of the vacuum.

CLEARING A BLOCKED TUBE / IMPELLER



WARNING: To avoid serious personal injury, be sure the unit is off before cleaning or performing any maintenance on it.



WARNING: To avoid serious personal injury, always wear gloves to protect yourself from the impeller blades or other sharp objects.

1. Press the On/Off Stop control down in the **STOP (O)** position until the engine comes to a complete stop (Fig. 9).

2. Disconnect the spark plug wire to prevent the unit from starting.
3. Remove the blower/vacuum tube and the vacuum bag.
4. Carefully remove material blocking the tube or impeller. Inspect the blades to assure no damage has occurred. Rotate the impeller blades by hand to assure the blockage is completely cleared.
5. Reinstall the vacuum bag and blower/vacuum tube.
6. Reconnect the spark plug wire.

EMPTYING THE VACUUM BAG



WARNING: To avoid serious personal injury, never unzip or remove the vacuum bag without first turning the unit off.

NOTE: Empty the bag after each use to avoid deterioration and obstructing air flow, which will reduce the performance of the vacuum.

1. While pressing the latching tabs on both sides of the vacuum bag tube, pull the vacuum bag down off the unit (Fig. 19).



WARNING: Wear eye protection and a dust mask when emptying the vacuum bag.

2. Detach the vacuum bag from the vacuum bag hook.

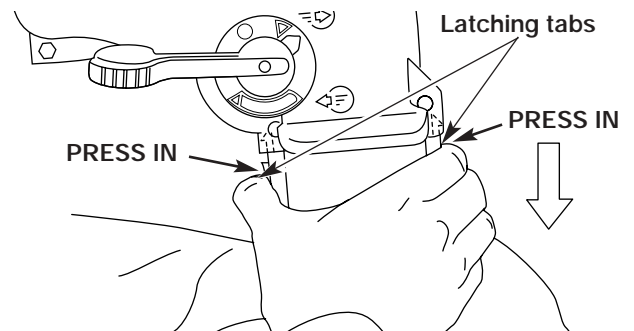


Fig. 19


3. Unzip the bag and empty the contents into a garbage bag or container.
4. Turn the bag inside out after initial emptying and vigorously shake out dust and debris.
5. Return the bag to outside in, zip the bag closed and reinstall vacuum bag.

MAINTENANCE AND REPAIR INSTRUCTIONS

MAINTENANCE SCHEDULE

Perform these required maintenance procedures at the frequency stated in the table. These procedures should also be a part of any seasonal tune-up.

NOTE: Some maintenance procedures may require special tools or skills. If you are unsure about these procedures take your unit to any non-road engine repair establishment, individual or authorized service dealer.



WARNING: To prevent serious injury, never perform maintenance or repairs with unit running. Always service and repair a cool unit. Disconnect the spark plug wire to ensure that the unit cannot start.


NOTE: Maintenance, replacement, or repair of the emission control devices and system may be performed by any non-road engine repair establishment, individual or authorized service dealer.

In order to assure peak performance of your engine, inspection of the engine exhaust port may be necessary after 50 hours of operation. If you notice lost RPM, poor performance or general lack of acceleration, this service may be required. If you feel your engine is in need of this inspection, refer service to any non-road engine repair establishment, individual or authorized service dealer for repair. **DO NOT** attempt to perform this process yourself as engine damage may result from contaminants involved in the cleaning process for the port.

FREQUENCY	MAINTENANCE REQUIRED	REFER TO
Before starting engine	Fill fuel tank with fresh fuel	Page 10
Every 10 hours	Clean and re-oil air filter	Page 15
Every 25 hours	Check and clean spark arrestor Check spark plug condition and gap	Page 16 Page 17
Every 50 hours	Inspect exhaust port and spark arrestor screen for clogging or obstruction to assure maximum performance levels	Page 16

AIR FILTER MAINTENANCE

Removing the Air Filter/Muffler Cover



WARNING: To avoid serious personal injury, always turn your unit off and allow it to cool before you clean or service it.

1. Place the choke lever in the **PARTIAL** choke position (B).

NOTE: The choke lever must be in the **PARTIAL** choke position (B) to remove the air filter/ muffler cover.

2. Remove the four (4) screws securing the air filter/muffler cover (Fig. 20). Use a flat blade or T-20 Torx bit screwdriver.
3. Pull the cover from the engine. Do not force.

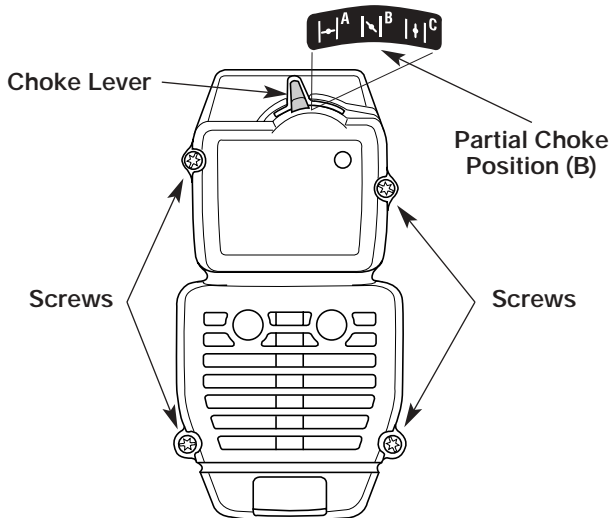


Fig. 20

Cleaning the Air Filter

Clean and re-oil the air filter every 10 hours of operation. It is an important item to maintain. Failure to maintain the air filter will VOID the warranty.

1. Remove air filter/muffler cover. Refer to *Removing the Air Filter/Muffler Cover*.
2. Turn cover over and look inside to locate the air filter. Remove the air filter from inside the air filter/muffler cover (Fig. 21).
3. Wash the filter in detergent and water (Fig. 22). Rinse the filter thoroughly. Squeeze out excess water. Allow it to dry completely.

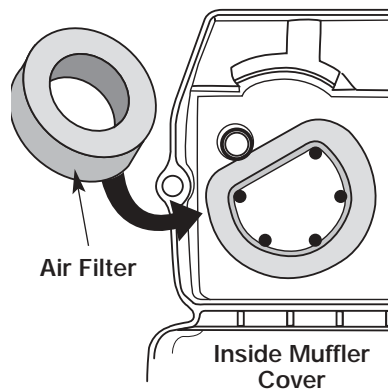


Fig. 21

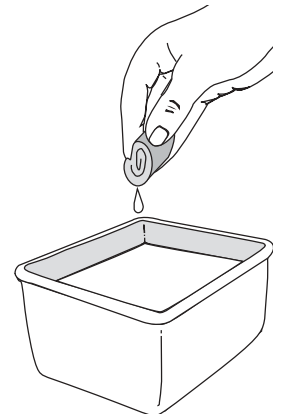


Fig. 22

MAINTENANCE AND REPAIR INSTRUCTIONS

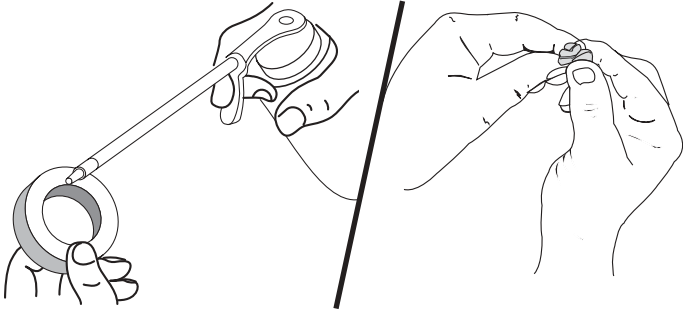


Fig. 23

Fig. 24

4. Apply enough clean SAE 30 oil to lightly coat the filter (Fig. 23).
5. Squeeze the filter to spread and remove excess oil (Fig. 24).
6. Replace the air filter inside the air filter/muffler cover (Fig. 21).

NOTE: Operating the unit without the air filter and air filter/muffler cover assembly will VOID the warranty.

Reinstalling the Air Filter/Muffler Cover

1. Place the air filter/muffler cover over the back of the carburetor and muffler. Align the screw holes.
2. Insert the four (4) screws into the holes in the air filter/muffler cover (Fig. 20) and tighten.
Do not over tighten.

SPARK ARRESTOR MAINTENANCE

1. Remove air filter/muffler cover. Refer to *Removing the Air Filter/Muffler Cover*.
2. Locate muffler front and the two (2) bolts securing it to the engine (Fig. 25). Remove the two (2) bolts using a flatblade screwdriver or 5/16-inch socket or nut driver. Pull muffler off of the engine.
3. Turn muffler over to the back side and locate the exhaust gasket. Remove the muffler gasket from the muffler (Fig. 25).

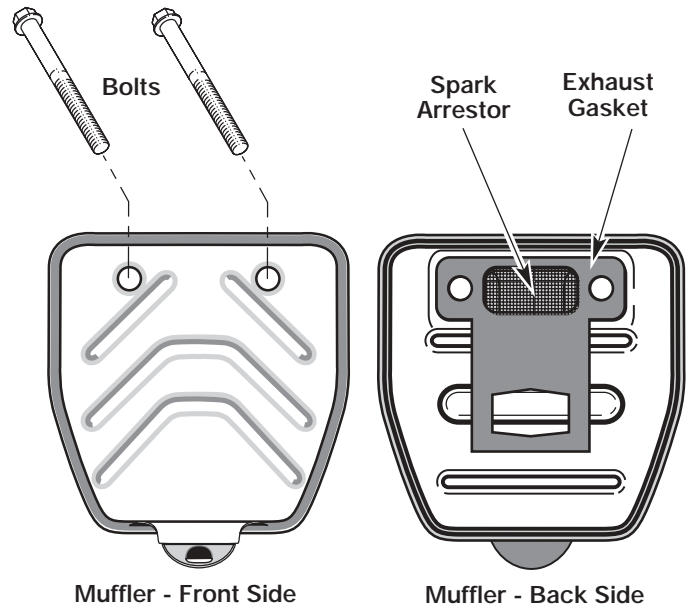
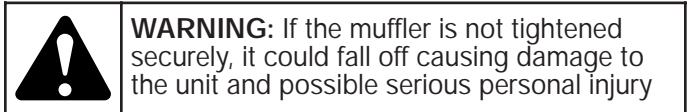
NOTE: If the exhaust gasket is torn or damaged, replace it with a new gasket before reassembling muffler.

4. Using a small flatblade screwdriver, carefully pry up the spark arrestor from the recessed hole (Fig. 26). Remove the spark arrestor from the muffler.
5. Clean the spark arrestor with a wire brush. Replace it if it is damaged or if it is impossible to clean thoroughly (Fig. 26).
6. Reinstall the spark arrestor by pressing it into the recessed hole on the muffler's back side. Make sure it fits tightly against the muffler and is not raised up.

7. Place the exhaust gasket against muffler's back side. Align the gasket bolt holes with the bolt holes in the muffler. While holding exhaust gasket in place, insert the bolts into the muffler's front side (Fig. 25).
8. Place the muffler (with the exhaust gasket in place and bolts inserted), against the engine, aligning the bolt holes. Tighten the bolts to secure the muffler to the engine.

If using a torque wrench, torque to:
80-90 in.·lb. (9-10.2 N·m)

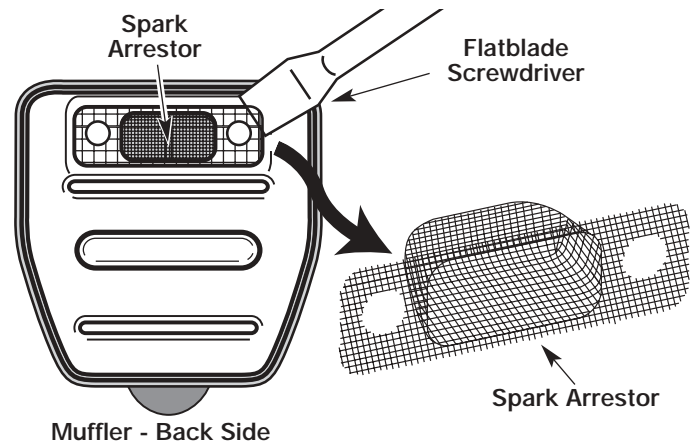
9. Reinstall the air filter/muffler cover.



Muffler - Front Side

Muffler - Back Side

Fig. 25



Muffler - Back Side

Spark Arrestor

Fig. 26

MAINTENANCE AND REPAIR INSTRUCTIONS

CARBURETOR ADJUSTMENT

The idle speed of the engine is adjustable through the air filter/muffler cover (Fig. 27).

NOTE: Careless adjustments can seriously damage your unit. An authorized service dealer should make carburetor adjustments.

Check Fuel Mixture

Old and/or improperly mixed fuel is usually the reason for improper unit performance. Drain and refill the tank with fresh, properly-mixed fuel prior to making any adjustments. Refer to *Oil and Fuel Information*.

Clean Air Filter

The condition of the air filter is important to the operation of the unit. A dirty air filter will restrict air flow and change the air/fuel mixture. This is often mistaken for an out of adjustment carburetor. Check the condition of the air filter before adjusting the idle speed screw. Refer to *Air Filter Maintenance*.

Adjust Idle Speed Screw



WARNING: This unit will need to be running during idle speed adjustment. Wear protective clothing and observe all safety instructions to prevent serious personal injury.

Also, DO NOT set unit on any surface except a clean, hard area while starting or performing any adjustments. Debris such as gravel, sand, dust, grass, etc. could be picked up by the air intake and thrown out by the discharge opening, damaging unit, property, or causing serious injury to bystanders or operator.

If, after checking the fuel mixture and cleaning the air filter the engine still will not idle, adjust the idle speed as follows:

1. Start the engine and let it run at a high idle for a minute to warm up.
2. Set the blower/vacuum mode change-over lever to the up position (Blower Mode). Refer to *Operating as a Blower*.

NOTE: Setting the lever to the blower mode prevents the vacuum bag from filling up while starting or running the unit.

3. Move the throttle control and let the engine idle. If the engine stops, insert a small phillips or flat blade screwdriver into the hole in the air filter/muffler cover (Fig. 27). Turn the idle speed adjuster in, clockwise, 1/8 of a turn at a time (as needed) until the engine idles smoothly.
4. If the unit appears to be idling too fast, turn the idle speed adjuster counterclockwise 1/8 of a turn at a time (as needed), to reduce idle speed.

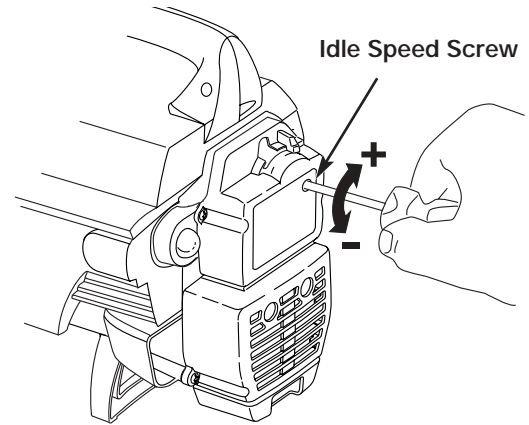


Fig. 27

Checking the fuel mixture, cleaning the air filter, and adjusting the idle speed should solve most engine problems. If not and all of the following are true:

- the engine will not idle
- the engine hesitates or stalls on acceleration
- there is a loss of engine power

Have the carburetor adjusted by an authorized service dealer.

REPLACING THE SPARK PLUG

Use a Champion RDJ7Y spark plug, or equivalent. The correct air gap is **0.020 inch (0.5 mm)**. Remove the plug after every 25 hours of operation and check its condition.

1. Stop the engine and allow it to cool. Grasp the plug wire firmly and pull it from the spark plug.
2. Clean around the spark plug. Remove the spark plug from the cylinder head by turning a 5/8-inch socket counterclockwise.
3. Replace a cracked, fouled or dirty spark plug. Set the air gap at **0.020 in. (0.5 mm)** using a feeler gauge (Fig. 28).



CAUTION: Do not sand blast, scrape or clean electrodes. Grit in the engine could damage the cylinder.

4. Install a correctly-gapped spark plug in the cylinder head. Tighten by turning the 5/8-inch socket clockwise until snug.

If using a torque wrench torque to:

110-120 in.·lb. (12.3-13.5 N·m)

Do not over tighten.

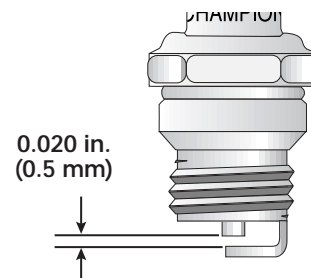


Fig. 28

MAINTENANCE AND REPAIR INSTRUCTIONS

CLEANING THE UNIT



WARNING: To avoid serious personal injury, always turn your unit off and allow it to cool before you clean or service it.

Use a small brush to clean off the outside of the unit. Do not use strong detergents. Household cleaners that contain aromatic oils such as pine and lemon, and solvents such as kerosene, can damage plastic housing or handle. Wipe off any moisture with a soft cloth.

CLEANING THE VACUUM BAG

1. Empty the bag after each use to avoid deterioration and obstructing air flow, which will reduce the performance of the vacuum.
2. Wearing eye protection and a dust mask, clean the bag as needed. Turn the bag inside out after initial emptying and vigorously shake out dust and debris.
3. Wash the bag once a year or more often if needed:
 - a. Remove the vacuum bag.
 - b. Turn bag inside out.
 - c. Hang it up.
 - d. Hose it down thoroughly.
 - e. Hang to dry.
 - f. Turn bag right-side out and reinstall.

STORAGE

- Never store a fueled unit where fumes may reach an open flame or spark.
- Allow the engine to cool before storing.
- Store the unit locked up to prevent unauthorized use or damage.
- Store the unit in a dry, well-ventilated area.
- Store the unit out of the reach of children.

LONG TERM STORAGE

If you plan on storing the unit for an extended time, use the following storage procedure:

1. Drain all fuel from the fuel tank into a container with the same 2-cycle fuel mixture. Do not use fuel that has been stored for more than 60 days. Dispose of the old fuel/oil mix in accordance to Federal, State and Local regulations.

2. Start the engine and allow it to run until it stalls. This ensures that all fuel has been drained from the carburetor.
3. Allow the engine to cool. Remove the spark plug and put 1 oz. (30 ml) of any high quality motor oil or 2-cycle oil into the cylinder. Pull the starter rope slowly to distribute the oil. Reinstall the spark plug.

NOTE: Remove the spark plug and drain all of the oil from the cylinder before attempting to start the unit after storage.

4. Thoroughly clean the unit and inspect it for any loose or damaged parts. Repair or replace damaged parts and tighten loose screws, nuts or bolts. The unit is ready for storage.

TRANSPORTING

- Allow the engine to cool before transporting.
- Drain fuel from unit.
- Tighten fuel cap before transporting.
- Secure the unit while transporting.

ACCESSORIES/ REPLACEMENT PARTS

2-Cycle Oil	147543
Spark Plug	610311
Fuel Cap	180000
Vacuum Bag	753-04102
Blower/Vacuum Tube Assembly	182606
Shoulder Harness	682075

For specific replacement parts, refer to the parts list located on the inside back cover of this manual.

TROUBLESHOOTING

ENGINE WILL NOT START

CAUSE

Choke is in the incorrect position
Empty fuel tank
Primer bulb wasn't pressed enough
Engine flooded
Old or improperly mixed fuel
Fouled spark plug
Plugged spark arrestor

ACTION

Refer to the *Starting/Stopping Instructions*
Fill fuel tank with properly mixed fuel
Press primer bulb fully and slowly 10 times
Use starting procedure WITHOUT USING the CHOKE
Drain gas tank / Add fresh fuel mixture
Replace or clean the spark plug
Clean or replace spark arrestor

ENGINE WILL NOT IDLE

CAUSE

Air filter is plugged
Old or improperly mixed fuel
Improper carburetor adjustment

ACTION

Replace or clean the air filter
Drain gas tank / Add fresh fuel mixture
Adjust according to the *Carburetor Adjustments* section

ENGINE WILL NOT ACCELERATE

CAUSE

Old or improperly mixed fuel
Improper carburetor adjustment

Dirty air filter
Plugged spark arrestor

ACTION

Drain gas tank / Add fresh fuel mixture
Take to an authorized service dealer for carburetor adjustment
Clean or replace the air filter
Clean or replace spark arrestor

ENGINE LACKS POWER OR STALLS

CAUSE

Old or improperly mixed fuel
Air filter is plugged
Improper carburetor adjustment

Fouled spark plug
Plugged spark arrestor

ACTION

Drain gas tank / Add fresh fuel mixture
Replace or clean the air filter
Take to an authorized service dealer for carburetor adjustment
Replace or clean the spark plug
Clean or replace spark arrestor

UNIT WILL NOT BLOW OR VACUUM

CAUSE

Bag full
Blocked tube

Blocked impeller

Damaged impeller

ACTION

Empty bag, as described in *Empty the Vacuum Bag*
Clear the blockage as described in *Clearing a Blocked Tube/ Impeller*
Clear the blockage as described in *Clearing a Blocked Tube/ Impeller*
Take the unit to an authorized service dealer

If further assistance is required, contact your authorized service dealer.

SPECIFICATIONS

ENGINE

Engine Type.....	Air-Cooled, 2-Cycle
Displacement.....	31 cc (1.9 cu. in)
Operating RPM.....	7,100+ rpm
Idle Speed RPM.....	3,600-4,800 rpm
Ignition Type.....	Electronic
On/Off Stop Control.....	Rocker Switch
Spark Plug Gap.....	0.020 inch (0.5 mm)
Lubrication.....	Fuel/Oil Mixture
Fuel/Oil Ratio.....	40:1
Carburetor.....	Diaphragm, All-Position
Starter.....	Auto Rewind
Muffler.....	Baffled with Guard
Fuel Tank Capacity.....	13 ounces (384 ml)

BLOWER / VACUUM

Throttle Control.....	Finger-Tip Lever
Blower Velocity.....	up to 160 mph (257 kmh)
Blower Air Output.....	up to 424 cfm (12.1 cmm)
Mulching Ratio.....	up to 10:1
Vacuum Bag Capacity.....	0.75 bushels (26.4 Liters)
Shoulder Harness.....	Single Quick-Snap
Approximate Unit Weight (no fuel, with blower/vacuum tube and empty vacuum bag).....	13.5 lb. (6 kg)

EPA Emission Control Warranty Statement

Your Warranty Rights and Obligations

The Environmental Protection Agency and MTD LLC (MTD) are pleased to explain the emission control system warranty on your 2002 and later small off-road engine. New small off-road engines must be designed, built and equipped to meet stringent anti-smog standards. Yardworks must warrant the emission control system on your small off-road engine for the periods of time listed below provided there has been no abuse, neglect or improper maintenance of your small off-road engine.

Your emission control system may include parts such as the carburetor or fuel-injected system, the ignition system, and catalytic converter. Also included may be hoses, belts, connectors and other emission-related assemblies.

Where a warrantable condition exists, Yardworks will repair your small off-road engine at no cost to you including diagnosis, parts and labor.

The 2002 and later small off-road engines are warranted for two years. If any emission-related part on your engine is defective, the part will be repaired or replaced by Yardworks.

Owners Warranty Responsibilities

- As the small off-road engine owner, you are responsible for the performance of the required maintenance listed in your operator's manual. Yardworks recommends that you retain all receipts covering maintenance on your small off-road engine, but Yardworks cannot deny warranty solely for the lack of receipts or for your failure to ensure the performance of all scheduled maintenance.
- As the small off-road engine owner, you however should be aware that Yardworks may deny you warranty coverage if your small off-road engine or a part has failed due to abuse, neglect, improper maintenance or unapproved modifications.
- You are responsible for presenting your small off-road engine to a Yardworks Authorized Service Center as soon as a problem exists. The warranty repairs should be completed in a reasonable amount of time, not to exceed 30 days.

If you have any questions regarding your warranty rights and responsibilities, you should call 1-888-939-0992.

Manufacturer's Warranty Coverage

- The warranty period begins on the date the engine or equipment is delivered to the retail purchaser.
- The manufacturer warrants to the initial owner and each subsequent purchaser, that the engine is free from defects in material and workmanship which cause the failure of a warranted part for a period of two years.
- Repair or replacement of warranted part will be performed at no charge to the owner at an Authorized Yardworks Service Center. For the nearest location please contact Yardworks at: 1-888-939-0992.
- Any warranted part which is not scheduled for replacement, as required maintenance or which is scheduled for only for regular inspection to the effect of "Repair or Replace as Necessary" is warranted for the warranty period. Any warranted part which is scheduled for replacement as required maintenance will be warranted for the period of time up to the first scheduled replacement point for that part.
- The owner will not be charged for diagnostic labor which leads to the determination that a warranted part is defective, if the diagnostic work is performed at an Authorized Yardworks Service Center.
- The manufacturer is liable for damages to other engine components caused by the failure of a warranted part still under warranty.
- Failures caused by abuse, neglect or improper maintenance are not covered under warranty.
- The use of add-on or modified parts can be grounds for disallowing a warranty claim. The manufacturer is not liable to cover failures of warranted parts caused by the use of add-on or modified parts.
- In order to file a claim, go to your nearest Authorized Yardworks Service Center. Warranty services or repairs will be provided at all Authorized Yardworks Service Centers.
- Any manufacturer approved replacement part may be used in the performance of any warranty maintenance or repair of emission related parts and will be provided without charge to the owner. Any replacement part that is equivalent in performance or durability may be used in non-warranty maintenance or repair and will not reduce the warranty obligations of the manufacturer
- The following components are included in the emission related warranty of the engine, air filter, carburetor, primer, fuel lines, fuel pick up/ fuel filter, ignition module, spark plug and muffler.

LIMITED TWO-YEAR WARRANTY



The limited warranty set forth below is given by YARDWORKS Canada, Toronto Canada, M4S 2B8 ("YARDWORKS") with respect to new merchandise purchased and used in Canada. YARDWORKS warrants this product against defects in material and workmanship for a period of two (2) years commencing on the date of original purchase and will, at its option, repair or replace, free of charge, any part found to be defective in material or workmanship. This limited warranty shall only apply if this product has been operated and maintained in accordance with the Operator's Manual furnished with the product, and has not been subject to misuse, abuse, commercial use, neglect, accident, improper maintenance, alteration, vandalism, theft, fire, water or damage because of other peril or natural disaster. Damage resulting from the installation or use of any accessory or attachment not approved by YARDWORKS for use with the product(s) covered by this manual will void your warranty as to any resulting damage. This warranty is limited to ninety (90) days from the date of original retail purchase for any YARDWORKS product that is used for rental or commercial purposes, or any other income-producing purpose.

HOW TO OBTAIN SERVICE: Warranty service is available, WITH PROOF OF PURCHASE THROUGH YOUR LOCAL AUTHORIZED SERVICE DEALER. To locate the dealer in your area, please contact the Customer Service Department of YARDWORKS Canada by calling 1-888-939-0992 or writing to YARDWORKS Canada, Toronto Canada, M4S 2B8

No product returned directly to the factory will be accepted unless prior written permission has been extended by the Customer Service Department of YARDWORKS Canada.

This limited warranty does not provide coverage in the following cases:

- A. Wear items - Bump Knobs, Outer Spools, Cutting Line, Inner Reels, Starter Pulley, and Starter Ropes.
- B. YARDWORKS does not extend any warranty for products sold or exported outside of the Canada.

YARDWORKS reserves the right to change or improve the design of YARDWORKS product without assuming any obligation to modify any product previously manufactured.

No implied warranty, including any implied warranty of merchantability or fitness for a particular purpose, applies after the applicable period of express written warranty above as to the parts as identified. No other express warranty or guaranty, whether written or oral, except as mentioned above, given by any person or entity, including a dealer or retailer, with respect to any product shall bind YARDWORKS. During the period of the Warranty, the exclusive remedy is repair or replacement of the product as set forth above. (Except where this limitation may not apply.)

The provisions as set forth in this Warranty provide the sole and exclusive remedy arising from the sales. YARDWORKS shall not be liable for incidental or consequential loss or damages including, without limitation, expenses incurred for substitute or replacement lawn care services, for transportation or for related expenses, or for rental expenses to temporarily replace a warranted product. (Except where this limitation may not apply) In no event shall recovery of any kind be greater than the amount of the purchase price of the product sold. Alteration of the safety features of the product shall void this Warranty. You assume the risk and liability for loss, damage, or injury to you and your property and/or to others and their property arising out of the use or misuse or inability to use the product. This limited warranty shall not extend to anyone other than the original purchaser, original lessee or the person for whom it was purchased as a gift. This warranty gives you specific legal rights, and you may also have other rights, which may vary from province to province.

To locate your nearest service dealer dial 1-888-939-0992 in Canada.

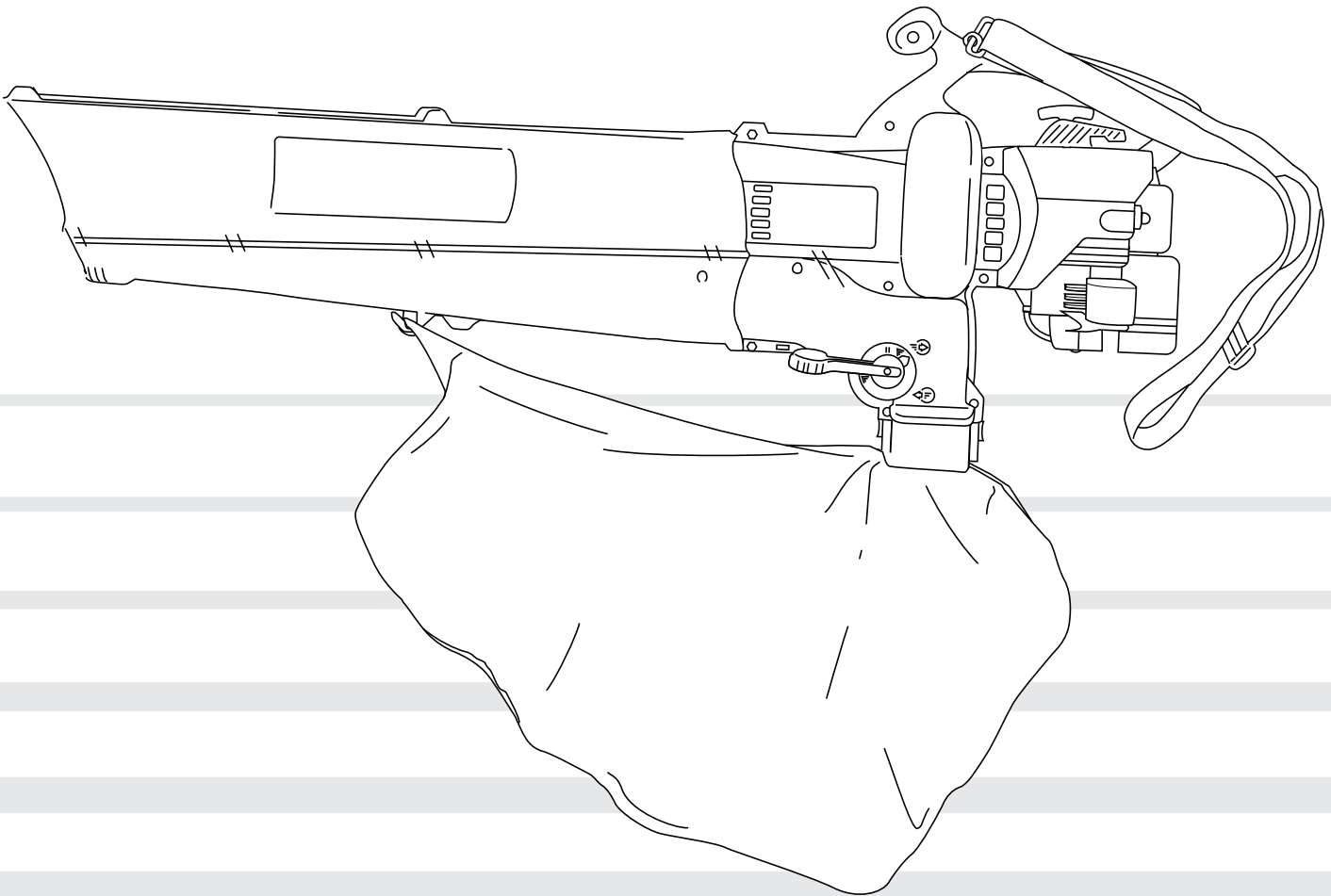
SAVE THESE INSTRUCTIONS FOR FUTURE REFERENCE.



60-3857-0

Souffleuse/ aspirateur déchiqueteuse 2-temps

MANUEL DE L'UTILISATEUR



SI VOUS AVEZ DES QUESTIONS, APPELEZ LE 1-888-939-0992

MANUEL IMPORTANT

À NE PAS JETER

INTRODUCTION

TOUS NOS REMERCIEMENTS

Nous vous remercions d'avoir acheté ce produit de qualité. Cet outil mécanique de plein air moderne est conçu pour vous rendre service pendant longtemps. Il vous sauvera beaucoup de temps comme vous pourrez vous en rendre compte. Ce manuel de l'utilisateur comporte un mode d'emploi facile à comprendre. Prenez soin de lire le manuel au complet et suivez toutes ses instructions à la lettre afin de conserver votre nouvel outil mécanique de plein air en excellent état de fonctionnement.

RÉFÉRENCES, ILLUSTRATIONS ET SPÉCIFICATIONS RELATIVES AU PRODUIT

Toutes les informations, illustrations et spécifications contenues dans ce manuel tiennent compte des dernières informations techniques disponibles au moment de mettre sous presse. Nous nous réservons le droit d'y apporter des modifications à tout moment, sans préavis.

Copyright© 2003 MTD SOUTHWEST INC Tous droits réservés.

INFORMATIONS D'ENTRETIEN

Tout entretien effectué sur cet appareil pendant et après la période de garantie doit être fait par un concessionnaire agréé uniquement:

- Téléphonnez au numéro vert **1-888-939-0992** depuis le Canada, pour obtenir une liste des concessionnaires agréés les plus proches.

NE RETOURNEZ PAS L'APPAREIL AU DÉTAILLANT.

NOTE: TOUT SERVICE SOUS GARANTIE NÉCESSITE UNE PREUVE D'ACHAT.

Prenez soin de lire et de bien comprendre ce manuel avant de démarrer ou de faire fonctionner cet équipement.

CE PRODUIT EST COUVERT PAR UN OU PLUSIEURS BREVETS AMÉRICAINS.

AUTRES BREVETS EN INSTANCE.

TABLE DES MATIÈRES

I.	Consignes de sécurité	F3-F7
	A. Importantes consignes de sécurité	F4
	B. Symboles de sécurité et internationaux	F6
	C. Familiarisez-vous avec votre appareil	F7
II.	Instructions de montage	F 8-F9
	A. Fixation et retrait du tube de souffleuse/aspirateur	F8
	B. Fixation et retrait du sac d'aspirateur	F9
	C. Installation et réglage du harnais d'épaule	F9
III.	Informations sur l'huile et le carburant	F10
IV.	Instructions de démarrage et d'arrêt	F11
V.	Mode d'emploi	F12-F14
	A. Tenue de la souffleuse/aspirateur	F12
	B. Conseils d'utilisation	F12
	C. Utiliser comme souffleuse	F12
	D. Utiliser comme aspirateur	F13
	E. Dégagement d'un(e) tube/hélice bloqué(e)	F14
	F. Vider le sac d'aspirateur	F14
VI.	Entretien et réparations	F15-F18
	A. Programme d'entretien	F15
	B. Entretien du filtre à air	F15
	C. Entretien du pare-étincelles	F16
	D. Réglage du carburateur	F17
	E. Remplacement de la bougie	F17
	F. Nettoyage et entreposage	F18
	G. Accessoires/pièces de rechange	F18
VII.	Tableau de dépannage	F19
VIII.	Caractéristiques	F20
IX.	Garantie	F26
X.	Liste des Pièces	Couvercle Arrière

CONTENU DE L'EMBALLAGE

Cet appareil comprend les éléments suivants :

- Souffleuse/aspirateur déchiquteuse
- Tube de souffleuse/aspirateur
- Sac d'aspirateur
- Bandoulière
- Ensemble de visserie
- Bouteille d'huile 2-temps
- Manuel de l'utilisateur

Examinez toutes les pièces pour vous assurer que rien ne manque et qu'aucun bris ne s'est produit en cours de transport. Toute pièce manquante ou endommagée doit être remplacée avant d'utiliser l'appareil.

PROPOSITION 65 DE CALIFORNIE



AVERTISSEMENT



LES GAZ D'ÉCHAPPEMENT DU MOTEUR DE CET APPAREIL CONTIENNENT DES PRODUITS CHIMIQUES CONSIDÉRÉS PAR L'ÉTAT DE CALIFORNIE COMME POUVANT CAUSER LE CANCER, DES MALFORMATIONS CONGÉNITALES OU D'AUTRES EFFETS NOCIFS SUR L'APPAREIL DE REPRODUCTION

PARE-ÉTINCELLES

NOTE : À l'intention des utilisateurs opérant dans les terres forestières des États-Unis et dans les états de Californie, du Maine, de l'Orégon et de Washington. Toutes les terres forestières des États-Unis et de l'état de Californie (Codes sur les ressources publiques 4442 et 4443), de l'Orégon et de Washington exigent de par la loi que certains moteurs à combustion interne utilisés dans des zones couvertes de taillis ou d'herbe soient équipés d'un pare-étincelles en parfait état de fonctionnement, ou qu'ils soient conçus, équipés et entretenus pour la prévention des incendies. Prenez tous les renseignements nécessaires auprès des autorités de votre province ou de votre municipalité concernant la réglementation en vigueur. Vous pourriez être passible d'une amende ou être tenu responsable si vous ne respectez pas cette réglementation. **Cet appareil est équipé d'un pare-étincelles en usine. S'il doit être remplacé, faites installer par votre concessionnaire local l'accessoire no. 182747 - kit du pare-étincelles.**

AVERTISSEMENT !

Lisez le(s) manuel(s) de l'utilisateur et suivez tous les avertissements et consignes de sécurité. Vous pourriez à défaut entraîner des blessures graves pour vous ou d'autres personnes.

SI VOUS AVEZ DES QUESTIONS, APPELEZ LE 1-800-345-8746 AUX ÉTATS-UNIS, OU LE 1-800-668-1238 AU CANADA

CONSIGNES DE SÉCURITÉ

Les symboles de sécurité attirent votre attention sur des dangers potentiels. Ces symboles et leurs détails explicatifs méritent que vous les lisiez et compreniez bien. Les avertissements de sécurité ne peuvent éviter les dangers de par eux-mêmes. Les consignes ou mises en garde qu'ils donnent ne remplacent pas des mesures préventives appropriées contre les accidents.

REMARQUE: donne des informations ou des instructions vitales pour le fonctionnement ou l'entretien de l'équipement

SYMBOLE SIGNIFICATION



SYMBOLE ALERTE DE SÉCURITÉ: indique un danger, un avertissement ou une mise en garde. Soyez vigilant afin d'éviter toute blessure grave. Ce symbole peut être combiné à d'autres symboles ou pictogrammes.

SYMBOLE SIGNIFICATION



DANGER: le non-respect d'un avertissement peut causer dommages matériels ou blessures graves pour tous. Respectez les consignes de sécurité afin de réduire les risques d'incendie, d'électrocution et de blessures.



AVERTISSEMENT: le non-respect d'un avertissement peut causer dommages matériels ou blessures graves pour tous. Respectez les consignes de sécurité afin de réduire les risques d'incendie, d'électrocution et de blessures.



MISE EN GARDE: le non-respect d'un avertissement peut causer dommages matériels ou blessures graves pour tous. Respectez toujours les consignes de sécurité afin de réduire les risques d'incendie, d'électrocution et de blessures.

CONSIGNES DE SÉCURITÉ

• IMPORTANTES CONSIGNES DE SÉCURITÉ •

LIRE TOUTES LES INSTRUCTIONS

AVANT UTILISATION

- Lire les instructions attentivement. Se familiariser avec les commandes et l'utilisation correcte de cet outil.
- Ne pas utiliser l'outil si vous êtes fatigué, malade ou sous l'effet de l'alcool, de drogues ou de médicaments.
- Les enfants de moins de 15 ans ne doivent pas utiliser l'outil, exception faite des adolescents sous surveillance d'un adulte.
- Toutes les protections et tous les accessoires de sécurité doivent être en place avant d'utiliser l'outil.
- Inspecter l'outil avant utilisation. Remplacer les pièces endommagées. Regarder s'il y a des fuites de carburant. Vérifier que toute la boulonnerie est bien serrée et qu'aucune pièce ne manque. Remplacer les pièces de l'accessoire de coupe fêlées, ébréchées ou endommagées. Ne pas utiliser l'outil si des pièces sont desserrées ou endommagées.
- Inspecter soigneusement la zone de travail avant de démarrer l'outil. Éliminer tous les débris tels que morceaux de verre, fil de fer, etc.
- Éloigner les personnes enfants et animaux de la zone de travail. Prévoir une zone de sécurité dont le rayon est d'au moins 15 m (50 pi) tout en restant conscient que des objets risquent d'être projetés au-delà de cette zone et blesser quelqu'un. Il est recommandé à toute personne se trouvant à proximité de porter des lunettes de sécurité. Arrêter immédiatement le moteur si quelqu'un s'approche.

AVERTISSEMENTS DE SÉCURITÉ CONCERNANT LES OUTILS À MOTEUR À ESSENCE



AVERTISSEMENT: l'essence est extrêmement inflammable et ses vapeurs peuvent exploser si on y met le feu. Veuillez prendre les précautions suivantes.

- Ne conserver le carburant que dans des récipients spécialement conçus et homologués pour le stockage de ce type de produit.
 - Éviter de créer une source d'allumage pour le carburant répandu. Ne pas lancer le moteur avant que toutes les vapeurs se soient dissipées, afin d'éviter de créer une source d'allumage pour le carburant répandu.
 - Toujours arrêter le moteur et le laisser refroidir avant faire l'appoint de carburant. Ne jamais retirer le bouchon du réservoir de carburant ou faire l'appoint pendant que le moteur est chaud. Ne jamais utiliser l'outil sans que le bouchon du réservoir soit bien en place. Desserrer le bouchon lentement afin de relâcher la pression du réservoir.
 - Mélanger et ajoutez le carburant dans un endroit bien aéré et propre, en plein air, à l'abri des sources d'étincelles ou flammes vives. Ne retirer (lentement) le bouchon du réservoir d'essence qu'après avoir arrêté le moteur. Ne pas fumer pendant l'approvisionnement ou le mélange de carburant. Essuyer immédiatement le carburant répandu sur l'outil.
- Éloigner l'outil d'au moins 9 m (30 pi) du point d'approvisionnement en carburant avant de démarrer le moteur. Ne pas fumer et éloigner toute source d'étincelles ou de flammes vives du point d'approvisionnement ou d'utilisation de l'outil.

PENDANT L'UTILISATION

- Ne jamais démarrer ou utiliser l'outil dans un local clos. L'inhalation des vapeurs d'échappement peut être mortelle. N'utiliser l'outil qu'à l'extérieur, dans un endroit bien aéré.
- Pour réduire les risques de blessures par des objets projetés, porter des lunettes de sécurité conformes à la norme ANSI Z87.1.
- Ne jamais utiliser l'outil s'il n'est pas équipé des accessoires nécessaires. Ne jamais utiliser l'outil sans les tubes de souffleuse ou le sac d'aspirateur (suivant le modèle). S'assurer que la fermeture à glissière du sac est complètement fermée.
- Pour réduire les risques de perte de l'ouïe causée par le niveau de bruit, toujours porter une protection auditive lors de l'utilisation.
- Porter des pantalons épais et longs, des bottes, des gants et une chemise à manches longues. Ne pas porter de shorts ou sandales et ne pas marcher pieds nus.
- Ne pas porter de gants en caoutchouc ou isolés pour éviter les décharges d'électricité statique lors de l'utilisation.
- Pour éviter des risques de blessures, ne pas porter de vêtements amples, bijoux, foulards et autres, qui pourraient être happés par les pièces en rotation. Les cheveux longs doivent être couverts ou maintenus au-dessus des oreilles.
- Porter un masque facial lors du travail dans les endroits poussiéreux. Les chemises à manches longues sont recommandées.
- N'utiliser l'outil qu'en plein jour ou sous bon éclairage artificiel.
- Garder l'extérieur de l'outil exempt d'huile et de carburant.
- Éviter tout démarrage accidentel. Toujours se tenir en position de démarrage avant de tirer la corde de démarrage. L'opérateur et l'outil doivent tous deux être en position d'équilibre lors du démarrage. Voir les *Instructions de Démarrage et Arrêt*.
- L'outil doit toujours être posé sur une surface propre et ferme. Les matériaux tels que le gravier, le sable, la poussière, l'herbe, etc. peuvent être aspirés par l'admission d'air et projetés par la sortie de l'outil, ce qui peut endommager l'outil, causer des dégâts matériels et des blessures graves à l'utilisateur ou aux personnes se trouvant à proximité.
- Toujours utiliser un outil adéquat pour l'application. Ne pas utiliser cet outil pour un usage pour lequel il n'est pas conçu.
- Ne pas forcer l'outil. Il fonctionnera plus efficacement et sera moins dangereux si sa capacité nominale n'est pas dépassée.

CONSIGNES DE SÉCURITÉ

- Ne pas essayer de travailler hors de portée ou en se tenant sur une surface instable, telle qu'une échelle, un arbre, un toit, une pente abrupte, un toit, etc. Toujours se tenir bien campé, en position d'équilibre.
- Toujours tenir l'outil fermement pendant l'utilisation.
- Garder les mains, le visage et les pieds à l'écart des pièces en mouvement. Ne pas essayer de toucher ou d'arrêter l'hélice en rotation. Ne pas utiliser l'outil si les dispositifs de protection ne sont pas en place.
- Ne jamais introduire quoi que ce soit dans les ouvertures. Garder les ouvertures dégagées, exemptes de poussières et de débris ou autres risquant de réduire la circulation d'air.
- Ne toucher ni le moteur, ni le silencieux. Ces pièces deviennent très chaudes pendant le fonctionnement. Elles restent brûlantes pendant quelques temps après l'arrêt.
- Ne pas faire fonctionner le moteur à un régime plus qu'il n'est nécessaire pour s'acquitter de la tâche. Ne pas faire tourner le moteur à haut régime à vide.
- Toujours arrêter le moteur si le travail est interrompu ou avant de se déplacer d'un endroit à un autre.
- Arrêter le moteur et débrancher avant toute opération d'entretien ou réparation et avant d'installer ou retirer les tubes de souffleuse ou accessoires d'aspirateur. Le moteur et les pales de l'hélice doivent être parvenus à l'arrêt complet pour éviter tout danger de blessure par les pièces en rotation.
- N'utilisez que des pièces de équipement original rechange et accessoires Genuine Factory Parts^{MC} d'origine pour cet appareil. Elles sont disponibles auprès de votre concessionnaire agréé. L'utilisation de pièces ou accessoires autres que ceux de équipement original peut causer des blessures graves, endommager l'appareil et annuler sa garantie.
- Ne jamais utiliser cet outil pour répandre des produits chimiques, engrais ou matériaux pouvant contenir des substances toxiques.
- Afin de réduire les risques d'incendie, remplacer tout silencieux ou pare-étincelles défectueux et garder le moteur et le silencieux exempts d'herbe, de feuilles et d'accumulation excessive de graisse ou de calamine.

LORS DE L'UTILISATION EN SOUFFLEUSE

- Ne jamais diriger le tube de la souffleuse vers des personnes, animaux domestiques ou fenêtres. Toujours souffler les débris en direction opposée des personnes, animaux domestiques et fenêtres. Redoubler de prudence lors du travail à proximité d'objets massifs tels que des arbres, véhicules, murs, etc.

LORS DE L'UTILISATION EN ASPIRATEUR

- Éviter les situations où le sac d'aspirateur pourrait s'enflammer. Ne pas utiliser à proximité de flammes vives, Ne pas aspirer les cendres chaudes de cheminées, foyers, tas de broussailles, etc. Ne pas aspirer de mégots de cigarettes ou de cigares sans s'être assuré qu'ils sont complètement froids.
- Cet outil est conçu pour aspirer des matériaux secs, tels que des feuilles, de l'herbe, des brindilles et morceaux de papier. Ne pas essayer d'aspirer des matériaux mouillés ni de l'eau, ce qui pourrait endommager la souffleuse/aspirateur. Ne pas aspirer de morceaux de métal, de verre, etc., pour éviter d'endommager l'hélice.

AUTRES AVERTISSEMENTS DE SÉCURITÉ

- Toujours débrancher la bougie avant de travailler sur les pièces mobiles.
- Ne jamais remiser l'outil rempli de carburant à l'intérieur d'un bâtiment où les vapeurs peuvent atteindre une source de flammes vives (une veilleuse par exemple) ou d'étincelles (commutateurs, moteurs électriques, etc).
- Laisser le moteur refroidir avant de remiser ou transporter l'outil. Bien arrimer l'outil pour le transport.
- Remiser l'outil dans un endroit sec pouvant être verrouillé ou en hauteur afin d'empêcher des dommages ou un usage non autorisé. Garder l'outils hors de portée des enfants.
- Ne jamais immerger l'outil et ne jamais l'arroser avec de l'eau ou tout autre liquide. Garder les poignées sèches, propres et exemptes de débris. Nettoyer après chaque usage. Voir les sections *Nettoyage et Remisage*.
- Conserver ces instructions. Les consulter fréquemment et les utiliser pour instruire d'autres utilisateurs. Si l'outil est prêté, il doit être accompagné de ces instructions.

NOTE SPÉCIALE: L'exposition à des vibrations due à un usage prolongé d'outils à essence peut entraîner une lésion des vaisseaux sanguins ou des nerfs au niveau des doigts, mains et articulations des personnes prédisposées aux troubles de la circulation et aux tumeurs anormales. L'utilisation prolongée en eau froide a été reliée aux lésions des vaisseaux sanguins chez des personnes normalement en santé. En cas de symptômes tel qu'engourdissement, douleur, perte de force, changement de couleur ou de texture de la peau, perte de sensation dans les doigts, les mains ou les articulations, cessez l'utilisation de l'appareil et consultez un médecin. Un système anti-vibration ne garantit pas que ce genre de problème puisse être évité. Les individus utilisant des outils mécaniques de manière régulière doivent surveiller attentivement leur état physique et celui de l'appareil.

CONSERVER CES INSTRUCTIONS

CONSIGNES DE SÉCURITÉ

SYMBOLES DE SÉCURITÉ ET INTERNATIONAUX

Ce manuel de l'utilisateur décrit les symboles et pictogrammes de sécurité et internationaux pouvant apparaître sur ce produit. Consultez le manuel de l'utilisateur pour les informations concernant la sécurité, le montage, le fonctionnement, l'entretien et les réparations.

SYMBOLE	SIGNIFICATION	SYMBOLE	SIGNIFICATION
	<ul style="list-style-type: none"> • SYMBOLE ALERTE DE SÉCURITÉ <p>Indique un danger, un avertissement ou une mise en garde. Ce symbole peut être combiné à d'autres symboles ou pictogrammes.</p>		<ul style="list-style-type: none"> • COMMANDE MARCHÉ/ARRÊT STOP <p>ALLUMAGE / DÉMARRAGE / MARCHÉ</p>
	<ul style="list-style-type: none"> • AVERTISSEMENT - LISEZ LE MANUEL DE L'UTILISATEUR <p>Lisez le manuel de l'utilisateur et suivez tous les avertissements et consignes de sécurité. Vous pourriez à défaut entraîner des blessures graves pour vous ou d'autres personnes.</p>		<ul style="list-style-type: none"> • COMMANDE MARCHÉ/ARRÊT STOP <p>ARRÊT ou STOP</p>
	<ul style="list-style-type: none"> • PORTEZ DES PROTECTIONS (YEUX ET OREILLES) <p>AVERTISSEMENT: les objets projetés et les bruits forts peuvent endommager la vue et l'ouïe. Portez une visière de norme ANSI Z87.1-1989 et des protège-oreilles pendant l'utilisation.</p>		<ul style="list-style-type: none"> • AVERTISSEMENT SURFACE CHAUDE <p>Ne touchez pas un silencieux ou un cylindre chaud. Vous pourriez vous brûler. Ces pièces deviennent très chaudes à l'utilisation. Elles restent chaudes brièvement après l'arrêt.</p>
	<ul style="list-style-type: none"> • ÉLOIGNEZ LES SPECTATEURS <p>AVERTISSEMENT: éloignez tout spectateur, les enfants et les animaux domestiques en particulier, d'au moins 15 m (50 pi) de la zone de coupe.</p>		<ul style="list-style-type: none"> • ETRANGLEUR <p>A • Position d'étranglement MAXIMUM B • Position d'étranglement PARTIEL C • Position de MARCHÉ</p>
	<ul style="list-style-type: none"> • CARBURANT SANS PLOMB <p>Utilisez toujours du carburant sans plomb frais et propre.</p>		<ul style="list-style-type: none"> • SOUFFLEUSES - LES LAMES ROTATIVES PEUVENT INFLIGER DES BLESSURES GRAVES <p>AVERTISSEMENT : arrêter le moteur et laisser l'hélice parvenir à l'arrêt complet avant d'installer ou de changer les tubes ou le sac et avant toute opération de nettoyage, d'entretien ou de réparation.</p>
	<ul style="list-style-type: none"> • NIVEAU D'HUILE <p>Voir le manuel de l'utilisateur pour le type d'huile approprié.</p>		<ul style="list-style-type: none"> • LEVIER DE BASCULE DES MODES SOUFFLEUSE/ASPIRATEUR <p>A - Mode aspirateur B - Mode souffleuse</p>
	<ul style="list-style-type: none"> • LES OBJETS PROJETÉS ET LA TÊTE ROTATIVE PEUVENT CAUSER DES BLESSURES GRAVES <p>AVERTISSEMENT: Tenez-vous à l'écart de la sortie de souffleuse. Ne dirigez jamais la souffleuse vers vous ou vers les autres. La souffleuse peut projeter des objets. Ne faites pas fonctionner l'appareil sans les accessoires et protections nécessaires.</p>		<ul style="list-style-type: none"> • MANETTE DES GAZ <p>"HAUTE" vitesse ou vitesse "MAXIMUM"</p> <ul style="list-style-type: none"> • MANETTE DES GAZ <p>"RALENTI" ou vitesse "BASSE" ou "MINIMUM"</p>

CONSIGNES DE SÉCURITÉ

FAMILIARISEZ-VOUS AVEC L'APPAREIL

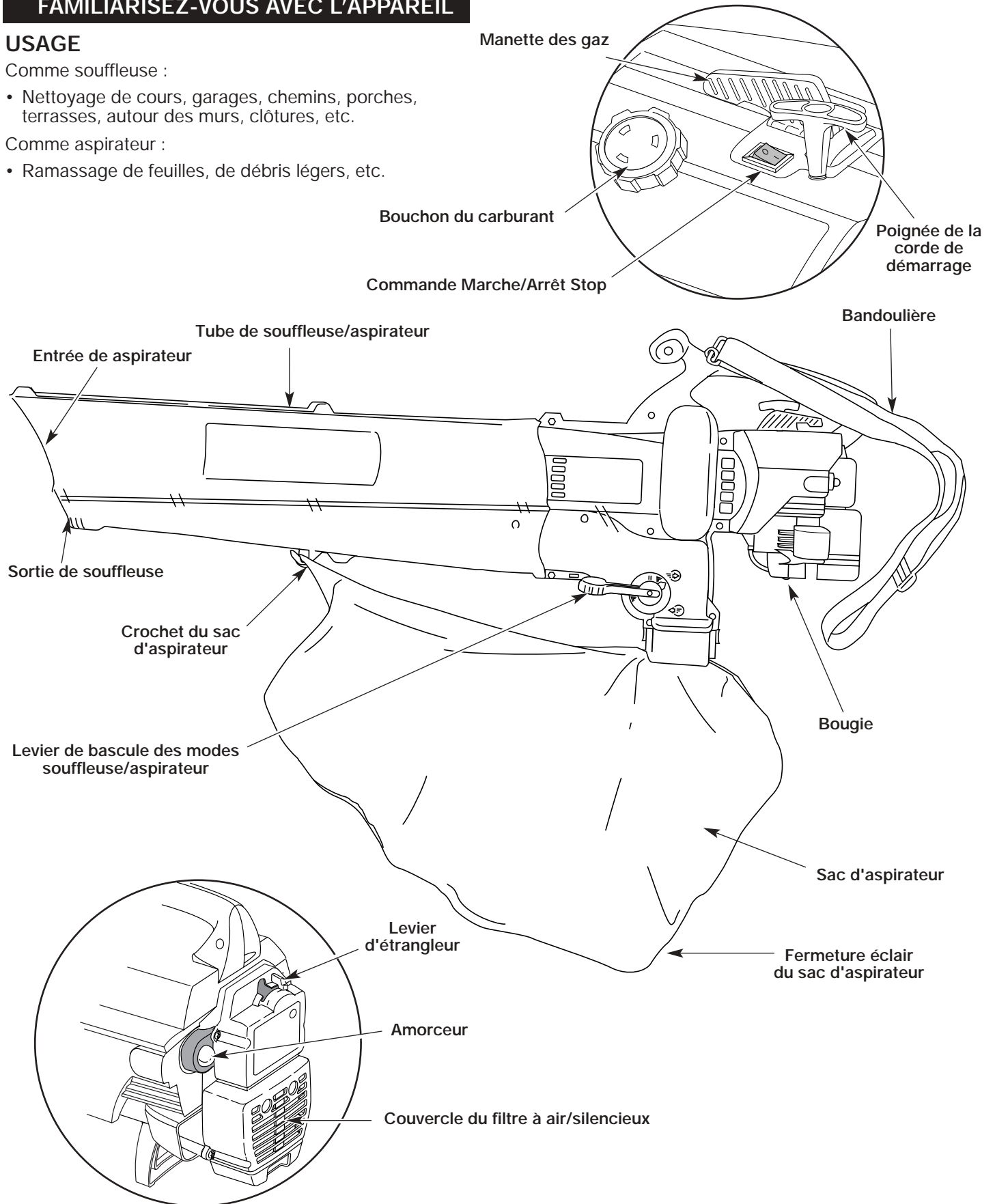
USAGE

Comme souffleur :

- Nettoyage de cours, garages, chemins, porches, terrasses, autour des murs, clôtures, etc.

Comme aspirateur :

- Ramassage de feuilles, de débris légers, etc.



INSTRUCTIONS DE MONTAGE

FIXATION ET RETRAIT DU TUBE DE SOUFFLEUSE/ASPIRATEUR



AVERTISSEMENT : Pour éviter des blessures graves, veillez à ce que le tube et le sac soient installés sur l'appareil lors de son utilisation.

Fixation

REMARQUE : Le tube de souffleur/aspirateur est démonté lors de la livraison. Vous devez l'installer pour assurer une utilisation sécuritaire et facile.



AVERTISSEMENT : Pour éviter des blessures graves, stoppez le moteur et laissez l'hélice s'arrêter avant de fixer ou d'enlever les tubes.

1. Retirez les vis et écrous fournis avec l'ensemble de visserie.
2. Insérez complètement le tube de souffleur/aspirateur dans l'ouverture du carter jusqu'à ce que les trous des pattes du tube soient alignés avec ceux des vis du carter (Fig. 1).
3. Introduisez les 2 (deux) vis à filets interrompus 8-32 x 3/4" Torx T20 dans le côté droit du carter et les 2 (deux) écrous dans le côté gauche du carter (Fig. 1).

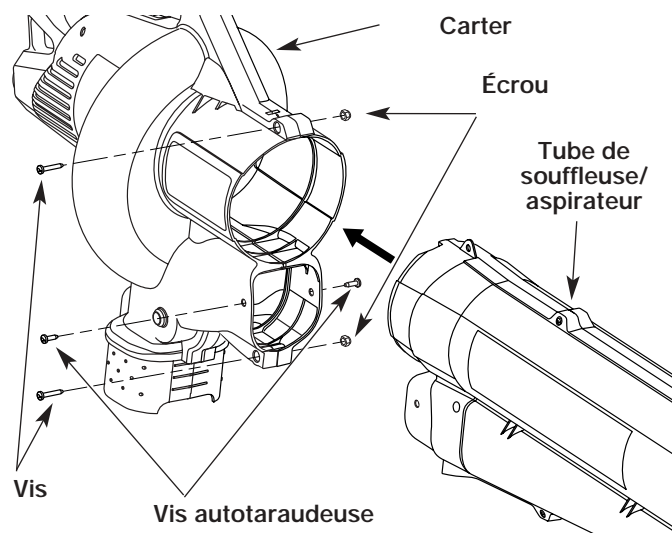


Fig. 1

4. Vissez bien. Évitez de trop serrer.
5. Insérez les 2 (deux) vis à filets interrompus autotaraudeuses 8-16 x 3/4" Torx T20 restantes dans les trous des deux côtés du carter (Fig. 2). Vissez bien sans trop serrer.

Retrait

REMARQUE : Il peut s'avérer nécessaire de retirer le tube de souffleur/aspirateur pour le dégager ou dégager l'hélice.



AVERTISSEMENT : Pour éviter des blessures graves, stoppez le moteur et laissez l'hélice s'arrêter avant de fixer ou d'enlever les tubes.

1. Retirez les 2 (deux) vis autotaraudeuses des deux côtés du carter.
2. Retirez les 2 (deux) vis et écrous qui retiennent le tube de souffleur/aspirateur sur le carter (Fig. 2).

REMARQUE : Rangez la visserie en lieu sûr pour un usage ultérieur

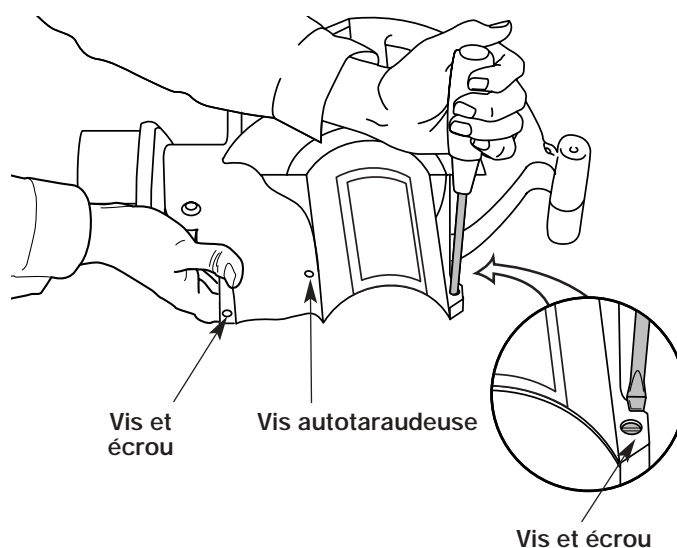


Fig. 2

3. Retirez le tube de souffleur/aspirateur du carter.
4. Remplacez le tube de souffleur/aspirateur avant utilisation.

INSTRUCTIONS DE MONTAGE

FIXATION ET RETRAIT DU SAC D'ASPIRATEUR

Fixation

1. Fixez le sac d'aspirateur à son crochet, sur le tube de souffleuse/aspirateur (Fig. 3).

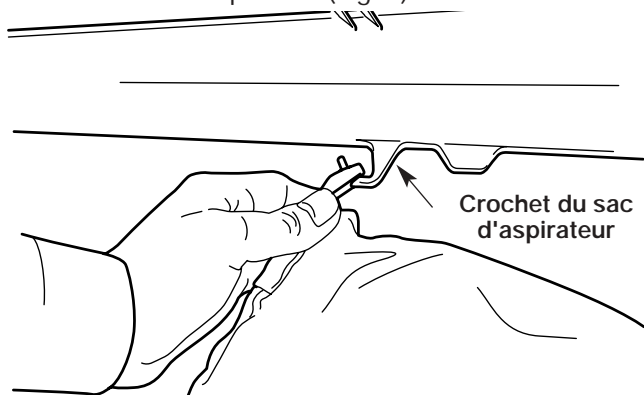


Fig. 3

2. Glissez le tube du sac sur le tube d'évacuation des débris, sur le carter. Poussez le tube jusqu'à ce que les pattes d'accrochage des deux côtés s'enfoncent avec un déclic, fixant ainsi le sac sur l'appareil (Fig. 4).

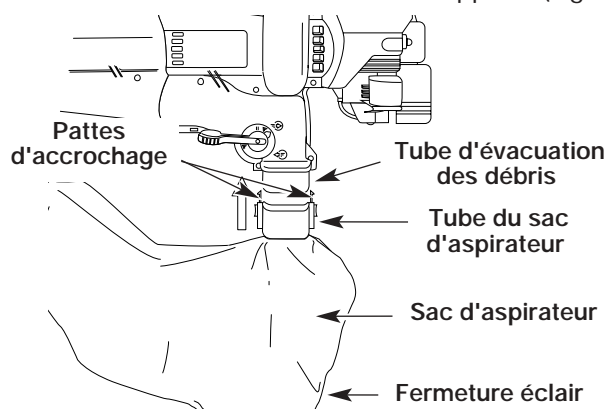


Fig. 4

Retrait

1. Appuyez sur les pattes d'accrochage des deux côtés du tube du sac et retirez le sac de l'appareil vers le bas (Fig. 5).
2. Détachez le sac d'aspirateur de son crochet.

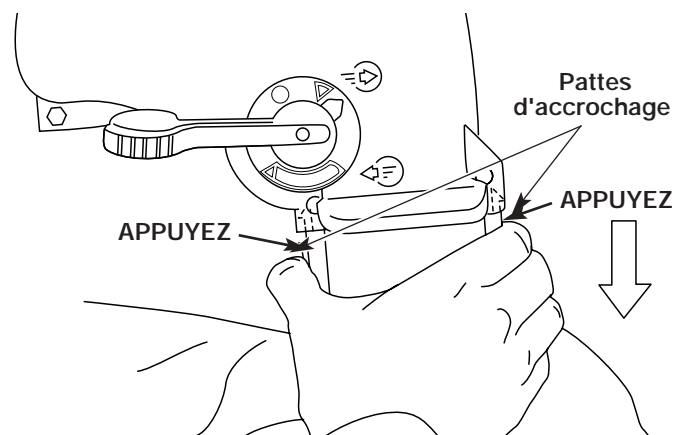


Fig. 5

INSTALLATION DU HARNAIS



AVERTISSEMENT: portez toujours le harnais d'épaule lorsque vous utilisez la lame de coupe afin d'éviter des blessures graves.

1. Faites passer la bande au centre de la boucle.
2. Tirez la bande par-dessus la traverse et à travers la fente de la boucle (Fig. 6).

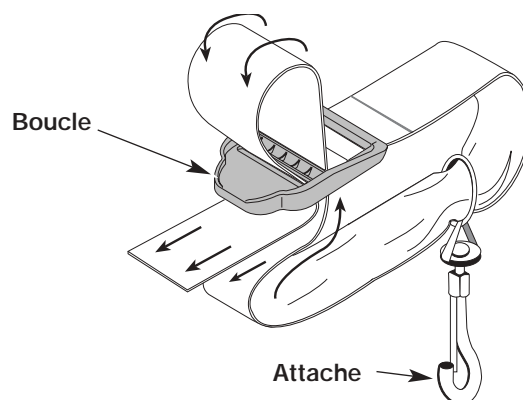


Fig. 6

3. Enfoncez d'un coup sec l'attache sur le raccord de soutien (Fig. 7).

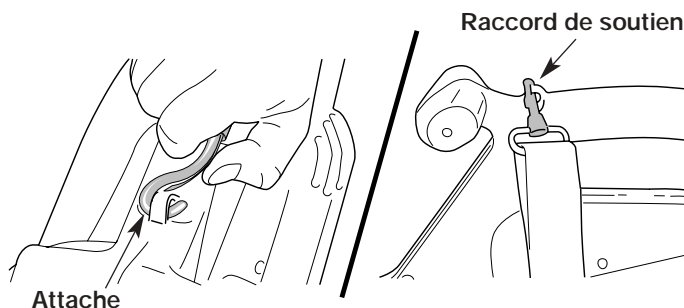


Fig. 7

4. Réglez la longueur en fonction de la taille de l'opérateur. Tirez la languette pour rallonger, ou tirez la bande pour raccourcir (Fig. 8).

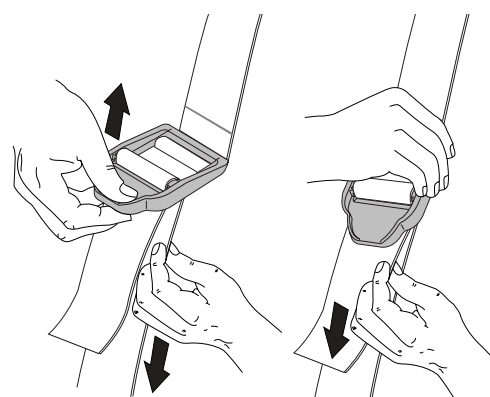


Fig. 8

INSTRUCTIONS DE MONTAGE

MÉLANGE D'HUILE ET DE CARBURANT

En général, si l'appareil ne fonctionne pas correctement, c'est que le carburant est vieux ou mal mélangé. Prenez soin d'utiliser de l'essence sans plomb fraîche et propre. Suivez à la lettre les instructions de mélange de carburant et d'huile.

Définition des carburants mélangés

Les carburants d'aujourd'hui sont souvent un mélange d'essence et d'oxygénés comme l'éthanol, le méthanol ou l'éther MTBE. Un carburant mélangé à l'alcool absorbe l'eau. Il suffit de 1 % d'eau pour séparer le carburant et l'huile. Cela forme de l'acide pendant le stockage. Si vous devez utiliser ce type de carburant, servez-vous de carburant frais (moins de 60 jours).

Usage de carburants mélangés

Si vous choisissez d'utiliser ou ne pouvez éviter d'utiliser un carburant mélangé, suivez les conseils suivants :

- Utilisez toujours un mélange de carburant frais selon le manuel de l'utilisateur.
- Agitez toujours le mélange de carburant avant d'alimenter l'appareil.
- Videz le réservoir et faites marcher le moteur jusqu'à l'assécher avant d'entreposer l'appareil.

Utilisation d'additifs de carburant

La bouteille d'huile 2-temps livrée avec l'appareil contient un additif permettant d'empêcher la corrosion et de minimiser la formation de résidus de gomme. Nous vous recommandons d'utiliser ce type d'huile uniquement.



Si cela n'est pas disponible, utilisez une bonne huile 2-temps conçue pour les moteurs à 2-temps refroidis par air en y ajoutant un additif, tel que le stabilisant de gaz STA-BIL ou un produit équivalent. Ajoutez 23 ml (0,8 oz) d'additif par 4 litres (1 gallon) de carburant selon les instructions du récipient. N'ajoutez JAMAIS d'additifs directement dans le réservoir de l'appareil.



MISE EN GARDE : Pour assurer un bon fonctionnement et une fiabilité maximale du moteur, suivez à la lettre les instructions de mélange d'huile et de carburant du récipient d'huile 2-temps. L'emploi de carburant mal mélangé peut endommager le moteur sérieusement.

Mélangez soigneusement l'huile moteur 2-temps avec de l'essence sans plomb dans un bidon séparé. Utilisez un rapport 40:1 d'essence/huile. Ne les mélangez pas directement dans le réservoir de carburant. Voir le tableau ci-dessous pour les rapports de mélange d'essence et d'huile.

REMARQUE : 3,8 litres (1 gallon) d'essence sans plomb mélangés avec une bouteille de 95 ml (3.2 oz) d'huile 2-temps donnent un rapport d'essence/huile de 40:1.

	+	
ESSENCE SANS PLOMB		HUILE 2-TEMPS
3,8 LITRES (1 GALLON US)		95 ml (3,2 OZ)
1 LITRE		25 ml

RAPPORT DE MÉLANGE O - 40:1



AVERTISSEMENT : L'essence est extrêmement inflammable et les vapeurs qui s'en dégagent peuvent exploser si on y met le feu. Arrêtez toujours le moteur et laissez-le refroidir avant de remplir le réservoir. Ne fumez pas en remplissant le réservoir. Éloignez toute source d'étincelles ou de flammes vives de la zone.



AVERTISSEMENT : Enlevez le bouchon du réservoir lentement pour ne pas être blessé par les jets d'essence. Ne faites pas marcher l'appareil sans que le bouchon soit bien mis.



AVERTISSEMENT : Ajoutez du carburant dans un lieu propre et bien aéré en plein air. Essuyez immédiatement tout déversement de carburant. Évitez de mettre le feu au carburant déversé. Ne démarrez pas le moteur avant dissipation des vapeurs de carburant.

REMARQUE : Éliminez le vieux mélange de carburant conformément aux règlements fédéral, provincial et municipal en vigueur.

INSTRUCTIONS DE DÉMARRAGE ET ARRÊT

DÉMARRAGE



AVERTISSEMENT : n'utiliser l'outil qu'à l'extérieur, dans un endroit bien aéré. Les émanations d'oxyde de carbone dans un endroit confiné peuvent être mortelles.



AVERTISSEMENT : éviter le démarrage accidentel. Se tenir en position de démarrage pour lancer le moteur (Fig. 11). Lors du démarrage, l'opérateur et l'outil doivent être en position d'équilibre afin d'éviter le risque de blessures graves.

D'autre part, pour le démarrage, l'outil doit toujours être posé sur une surface propre et ferme. Les matériaux tels que le gravier, le sable, la poussière, l'herbe, etc. peuvent être aspirés par l'admission d'air et projetés par la sortie de l'outil, ce qui peut endommager l'outil, causer des dégâts matériels et des blessures graves à l'utilisateur ou aux personnes se trouvant à proximité.

1. Mélanger l'huile et l'essence et remplir le réservoir. Voir les *Instructions de mélange d'huile et de carburant*.



AVERTISSEMENT : pour éviter le risque de blessures graves, toujours retirer le sac d'aspirateur avant de faire l'appoint de carburant. Le sac plein risque de s'enflammer.

REMARQUE : La manette des gaz conserve sa position jusqu'à ce que vous la déplaciez. La position de haute vitesse est à droite.

2. Relevez le levier de bascule des modes souffleur/aspirateur (mode souffleur). Voir *Utiliser comme souffleur*. Ceci empêche le sac d'aspirateur de se remplir lors du démarrage du moteur.
3. Appuyer lentement et à fond sur la poire d'amorçage, 10 fois. Le carburant doit être visible dans la poire (Fig. 9). S'il ne l'est pas, appuyer 2 ou 3 fois de plus sur la poire ou jusqu'à ce que le carburant soit visible.
4. Mettre l'étrangleur en position d'étranglement **MAXIMAL** (|—|) (Fig. 10).
5. Mettre l'outil en position de démarrage (Fig. 11). Mettez la manette des gaz en position de haute vitesse (☛) (Fig. 9).
6. Tirer vigoureusement la corde de démarrage 5 fois, l'étrangleur étant toujours en position d'étranglement **MAXIMAL** (|—|). Si le moteur tente de démarrer avant la cinquième sollicitation, passer à l'étape 7.

REMARQUE : le moteur ne tournera pas lorsque l'étrangleur est en position d'étranglement **MAXIMAL** (|—|).

7. Mettre le levier du starter en position d'étranglement **PARTIEL** (|~|) (Fig. 10).
8. Tirer vigoureusement la corde de démarrage 1 à 3 fois pour démarrer le moteur (Fig. 11).
9. Si le moteur ne démarre pas, répéter les étapes 3 à 8.

REMARQUE : si le moteur se noie pendant une tentative de démarrage, mettre le levier du starter en position de **MARCHE** (|↑|) (Fig. 10). Mettez la manette des gaz en position de haute vitesse (☛) (Fig. 9). Tirer vigoureusement la corde de démarrage. Le moteur devrait démarrer après 3 à 8 sollicitations.

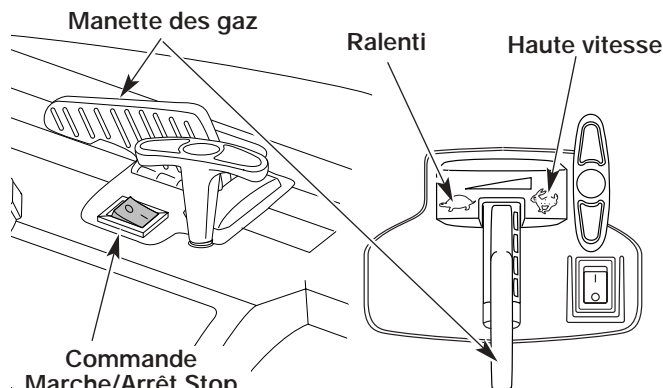


Fig. 9

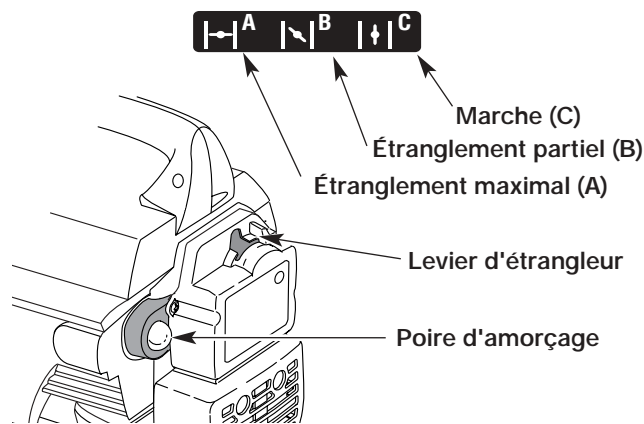


Fig. 10

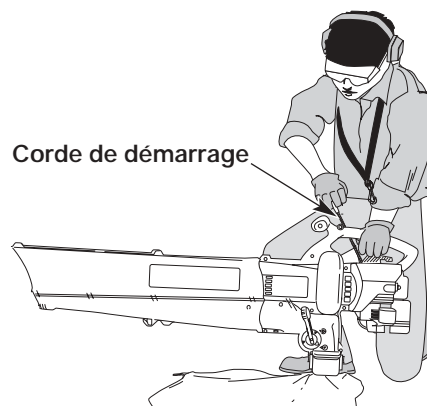


Fig. 11

10. Laissez le moteur se réchauffer pendant 5 à 10 secondes. Mettez le levier d'étrangleur en position **MARCHE** (|↑|) (Fig. 10).

REMARQUE : Il n'est pas nécessaire d'utiliser l'étrangleur pour démarrer un moteur chaud. Mettez la manette des gaz en position de haute vitesse (☛) (Fig. 9), puis démarrez l'appareil en position d'étranglement **PARTIEL** (|~|) (Fig. 10).

INSTRUCTIONS D'ARRÊT

1. Mettez la manette des gaz en position de ralenti (☞) (Fig. 9). Laissez le moteur se refroidir au ralenti pendant 10 à 15 secondes.
2. Appuyez sur la commande Marche/Arrêt Stop et maintenez-la en position **ARRÊT** (O) jusqu'à ce que le moteur s'arrête complètement (Fig. 9).

MODE D'EMPLOI

TENUE DE LA SOUFFLEUSE/ASPIRATEUR

Avant d'utiliser l'outil, se tenir en position de travail (Fig. 12) et effectuer les vérifications suivantes :

- L'utilisateur doit porter une tenue appropriée, c'est-à-dire des chaussures de travail, des lunettes de sécurité, une protection auditive, des gants, des pantalons longs et une chemise à manches longues.



AVERTISSEMENT : pour éviter les risques de blessures, toujours porter des lunettes de sécurité lors de l'utilisation de cet outil. Porter un masque respiratoire dans les endroits poussiéreux.

- Si l'endroit est poussiéreux, porter un masque anti-poussière.
- S'assurer que l'outil est en bon état de marche.
- Vérifier que les tubes et protection sont en place et bien assujettis.



AVERTISSEMENT : pour éviter les risques de blessures à l'opérateur ou aux personnes présentes, ainsi que des dommages à l'outil, s'assurer que les tubes de souffeuse ou les tubes et le sac d'aspirateur sont en place (suivant le modèle) avant d'utiliser l'outil.

CONSEILS PRATIQUES

- Assurez-vous que la fermeture éclair du sac d'aspirateur est fermée avant d'utiliser l'appareil.
- Lors du démarrage, veiller à ne pas diriger l'outil vers des personnes ou des débris.
- S'assurer que l'outil est en bon état de marche. Vérifier que les tubes et protection sont en place et bien assujettis.
- Tenez toujours l'appareil des deux mains lorsqu'il est en marche. Agrippez fermement les poignées avant et arrière.
- Utiliser une protection auditive pour éviter les risques de perte de l'ouïe causée par un niveau de bruit élevé.
- N'utiliser l'outil qu'à des heures raisonnables, c'est-à-dire pas trop tôt le matin ou tard le soir lorsque cela peut déranger les personnes vivant aux environs. Se conformer aux réglementations locales qui sont habituellement de 9 à 17 heures, du lundi au samedi.



Fig. 12

- Pour réduire le niveau sonore, utiliser le moins possible d'outils motorisés en même temps.
- Pour réduire le niveau sonore utiliser la souffeuse au régime minimum permettant de s'acquitter de la tâche.
- Vérifier l'équipement avant de commencer le travail, en particulier le silencieux, l'admission d'air et les filtres à air.
- Utiliser un râteau ou un balai pour séparer les débris avant de les souffler.
- Dans les endroits poussiéreux, humecter légèrement l'aire de travail ou utiliser un accessoire de pulvérisation si une source d'eau est disponible.
- Conserver l'eau en utilisant la souffeuse au lieu d'un tuyau d'arrosage pour le nettoyage des endroits tels que les gouttières, moustiquaires, patios, grills, porches et jardins.
- Prendre garde aux enfants, animaux domestiques, fenêtres ouvertes et véhicules fraîchement lavés, et souffler les débris à l'opposé de tels obstacles.
- Utiliser la tubulure complète afin que l'embout reste près du sol.
- Après utilisation d'une souffeuse ou d'autres outils motorisés, Nettoyer la zone de travail. Jeter les débris dans des poubelles.

UTILISATION DE LA SOUFFLEUSE

Convention en Souffleuse

1. Démarrez le moteur Voir *Instructions de démarrage et d'arrêt*.
2. Relevez le levier de bascule des modes souffeuse/aspirateur (mode souffeuse) (Fig. 13).

REMARQUE : N'utilisez jamais l'appareil avec le levier sur la position du milieu.

3. Passez le harnais par-dessus de la tête puis sur l'épaule et réglez-le correctement, voir *Installation et réglage du harnais d'épaule*.

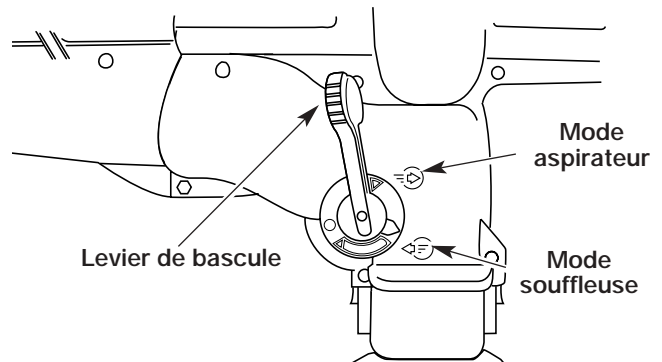


Fig. 13

MODE D'EMPLOI

Utilisation Comme Souffleuse

Tenez la souffleuse tel qu'illustré sur les Figures 14, 15 et 16. Balayez d'un côté vers l'autre, en tenant la buse à plusieurs centimètres du sol. Avancez lentement en vous maintenant face à la pile de débris.

La basse vitesse convient mieux pour souffler les débris secs alors que la haute vitesse est préférable pour déplacer des objets plus lourds comme des débris ou du gravier de grosse dimension.

1. Utilisez la souffleuse autour des arbres, des arbustes, des massifs de fleurs et des zones difficiles à nettoyer (Fig. 14).
2. Utilisez la souffleuse pour nettoyer autour des bâtiments et pour le nettoyage normal (Fig. 15).
3. Utilisez la souffleuse pour nettoyer les murs, les surplombs et les écrans (Fig. 16).



Fig. 14



Fig. 15

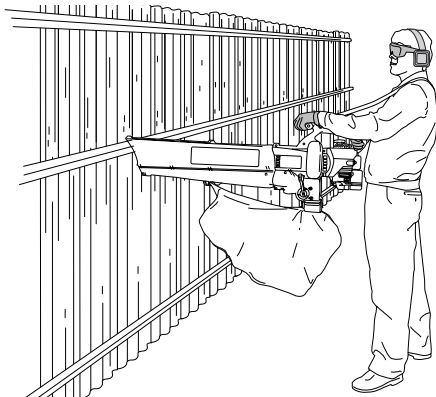


Fig. 16

UTILISATION COMME ASPIRATEUR

Convertir en Aspirateur

1. Démarrez le moteur Voir *Instructions de démarrage et d'arrêt*.
2. Rabaissez le levier de bascule des modes souffleuse/aspirateur (mode aspirateur) (Fig. 17).

REMARQUE : N'utilisez jamais l'appareil avec le levier sur la position du milieu.

3. Passez le harnais par-dessus de la tête puis sur l'épaule et réglez-le correctement, voir *Installation et réglage du harnais d'épaule*.

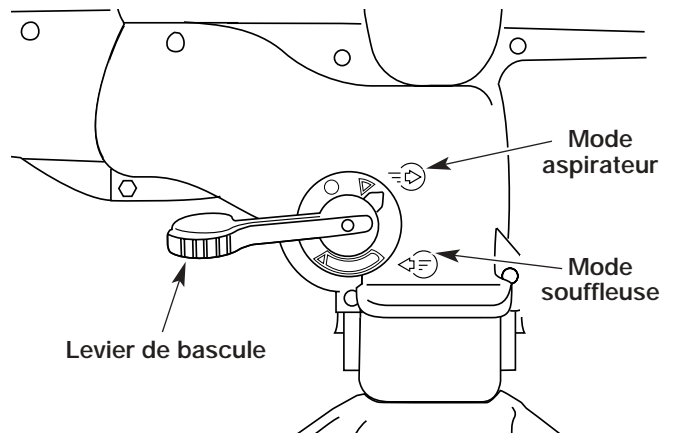


Fig. 17



AVERTISSEMENT : Pour éviter des blessures graves et ne pas endommager l'appareil utilisé comme aspirateur, installez toujours les tubes et le sac d'aspirateur, et assurez-vous que la fermeture éclair du sac est fermée.

Utilisation de L'aspirateur

Vérifiez les points suivants :

- L'opérateur porte des vêtements appropriés : bottes, lunettes de sécurité, protège-oreilles, gants, pantalons et chemises à manches longues.
- L'opérateur porte un masque facial ou antipoussières dans les lieux poussiéreux.
- L'appareil est en bon état de fonctionnement. Les tubes et le sac d'aspirateur sont solidement fixés.
- Le harnais du sac d'aspirateur est installé et bien réglé.

Utilisez l'appareil pour aspirer des débris légers, des feuilles, du papier etc.

Tenez l'aspirateur en inclinant (50-100 mm, 2-4 po) un peu le tube de succion, et aspirez les débris légers d'un mouvement de balayage (Fig. 18). Ceci permet aux débris de s'engouffrer dans le sac de l'aspirateur. Les petites feuilles et brindilles sont déchiquetées dans le boîtier du ventilateur pour accroître la capacité du sac.

Lorsque le sac est plein, l'aspiration faiblit de façon notable. Éteignez l'appareil et laissez l'hélice s'arrêter avant d'ouvrir le sac. Ouvrez la fermeture éclair et videz le contenu du sac avant de continuer. Voir *Vider le sac d'aspirateur*.

MODE D'EMPLOI



Fig. 18



AVERTISSEMENT : Afin d'éviter des blessures graves, n'ouvrez jamais le sac avant d'éteindre l'appareil.



AVERTISSEMENT : En tant qu'aspirateur, l'appareil est conçu pour ramasser des matériaux secs comme des feuilles, de l'herbe, des brindilles et des morceaux de papier. Pour éviter des blessures graves, n'essayez pas d'aspirer des débris humides et/ou de l'eau stagnante car cela peut endommager la souffluse/aspirateur. Pour éviter d'endommager sérieusement l'hélice, n'aspirez pas de métal, de verre brisé, etc.



AVERTISSEMENT : Évitez les situations pouvant mettre le feu au sac d'aspirateur. Ne faites pas marcher près d'une flamme vive. N'aspirez pas les cendres chaudes des foyers à bois ou de barbecue, des tas de broussailles, etc. ni les cigares ou cigarettes à moins que les cendriers soient complètement refroidis.

Lorsque le sac est plein, l'aspiration faiblit de façon notable. Éteignez l'appareil avant de retirer le sac. Ouvrez la fermeture éclair et videz le contenu du sac avant de continuer.

REMARQUE : Videz le sac après chaque utilisation pour éviter toute détérioration et ne pas restreindre le débit d'air, ce qui affaiblirait les performances de l'aspirateur.

DÉGAGEMENT D'UN(E) TUBE/ HÉLICE BLOQUÉ(E)



AVERTISSEMENT : Pour éviter des blessures graves, éteignez l'appareil avant tout nettoyage ou entretien.



AVERTISSEMENT : Pour éviter des blessures graves, portez toujours des gants pour vous protéger des lames de l'hélice ou d'autres objets tranchants.

1. Appuyez sur la commande Marche/Arrêt Stop et maintenez-la en position **ARRÊT (O)** jusqu'à ce que le moteur s'arrête complètement (Fig. 9).
2. Déconnectez le câble de bougie pour empêcher l'appareil de démarrer.
3. Retirez le tube de la soufflante/aspirateur et le sac de l'aspirateur.
4. Enlevez soigneusement tout matériau bloquant le tube ou l'hélice. Inspectez les lames pour vous assurer qu'elles ne sont pas endommagées. Tournez les lames de l'hélice à la main pour vous assurer qu'elles ne sont plus bloquées.
5. Réinstallez le sac d'aspirateur et le tube de souffluse/aspirateur.
6. Rebranchez le câble de la bougie.

VIDER LE SAC D'ASPIRATEUR



AVERTISSEMENT : Afin d'éviter des blessures graves, n'ouvrez et ne retirez jamais le sac avant d'éteindre l'appareil.

REMARQUE : Videz le sac après chaque utilisation pour éviter toute détérioration et ne pas restreindre le débit d'air, ce qui affaiblirait les performances de l'aspirateur.



AVERTISSEMENT : Portez un protecteur oculaire et un masque antipoussières pour vider le sac.

1. Appuyez sur les pattes d'accrochage des deux côtés du tube du sac et retirez le sac de l'appareil vers le bas (Fig. 19).
2. Détachez le sac d'aspirateur de son crochet.

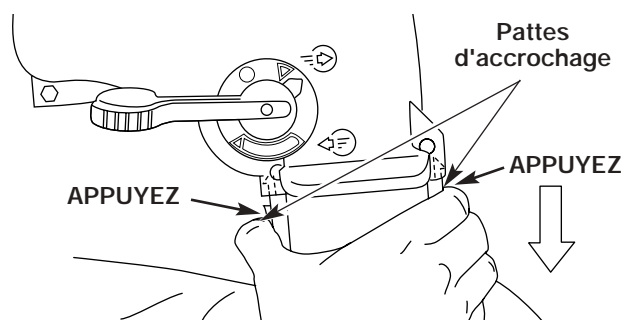


Fig. 19

3. Ouvrez la fermeture éclair et videz le contenu du sac dans un sac de poubelle ou un récipient.
4. Retournez le sac à l'envers après l'avoir vidé pour la première fois et secouez-le vigoureusement pour éliminer poussière et débris.
5. Retournez le sac à l'endroit, fermez la fermeture éclair et remettez le sac en place.

ENTRETIEN ET RÉPARATIONS

REMARQUE : certaines procédures d'entretien nécessitent des compétences ou des outils particuliers. Si vous n'êtes pas sûr de pouvoir les entreprendre, emmenez votre appareil dans un atelier, chez un technicien ou un concessionnaire agréé spécialisé dans les réparations de moteurs d'outils mécaniques de plein air.

PROGRAMME D'ENTRETIEN

L'entretien doit respecter la fréquence indiquée dans le tableau ci-dessous. Il doit également faire partie de toute mise au point saisonnière.



AVERTISSEMENT : pour éviter tout accident, n'effectuez jamais l'entretien ou des réparations quand l'appareil fonctionne. Effectuez-les toujours lorsqu'il est froid. Débranchez le câble de la bougie pour prévenir la mise en route.

REMARQUE: l'entretien, le remplacement ou la réparation des dispositifs et systèmes antipollution peuvent être effectués par tout atelier, technicien ou concessionnaire agréé spécialisé dans les réparations de moteurs d'outils mécaniques de plein air.

Afin d'assurer une performance optimale du moteur, il est conseillé d'examiner l'orifice d'échappement du moteur après 50 heures de fonctionnement. Si vous remarquez une perte de tours par minute, une pauvre performance ou un manque général d'accélération, cet entretien peut s'avérer nécessaire. Si vous pensez que le moteur a besoin de ce type d'inspection, apportez-le pour réparation auprès d'un atelier, technicien ou concessionnaire agréé spécialisé dans les réparations de moteurs d'outils mécaniques de plein air. N'essayez PAS de le faire vous-même car un endommagement du moteur pourrait résulter de la présence d'impuretés provenant du nettoyage de l'orifice.

FRÉQUENCE	ENTRETIEN REQUIS	RÉFÉRENCE
Avant démarrage	Remplissez le réservoir du mélange d'essence/huile approprié	Page F10
Toutes les 10 heures	Nettoyez le filtre à air et lubrifiez-le de nouveau	Page F15
Toutes les 25 heures	Vérifiez le pare-étincelles et nettoyez-le Vérifiez l'état de la bougie et l'écartement des électrodes	Page F16 Page F17
Toutes les 50 heures	Examinez l'orifice d'échappement et l'écran pare-étincelles pour détecter tout bouchage ou obstruction, afin d'assurer des niveaux de performance maximum.	Page F16

ENTRETIEN DU FILTRE À AIR

Retrait du couvercle du filtre à air/silencieux



AVERTISSEMENT: pour éviter des blessures graves, éteignez toujours l'appareil et laissez-le refroidir avant tout nettoyage ou entretien.

1. Mettez le levier d'étrangleur en position d'étranglement **PARTIEL** (B).

REMARQUE: pour enlever le couvercle du filtre à air/silencieux, le levier d'étrangleur doit être en position d'étranglement **PARTIEL** (B) (Fig. 20).

2. Retirez les quatre (4) vis retenant le couvercle du filtre à air/silencieux (Fig. 20). Servez-vous d'un tournevis à lame plate ou à mèche no. 20 Torx.
3. Retirez le couvercle du moteur. Ne forcez pas.

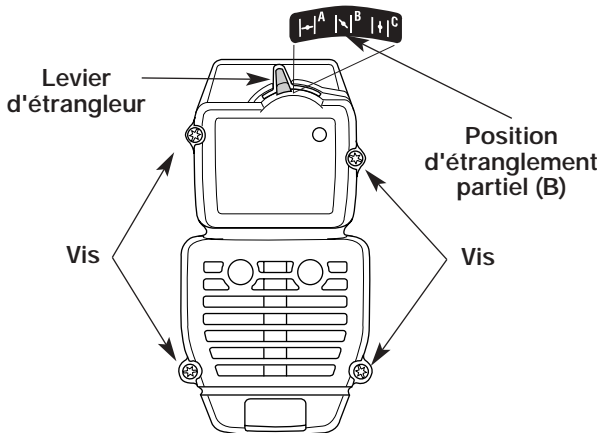


Fig. 20

NETTOYAGE DU FILTRE À AIRE

Nettoyez et relubrifiez le filtre à air à toutes les 10 heures de fonctionnement. C'est l'un des éléments les plus importants pour l'entretien. Si vous n'en faites pas l'entretien, cela ANNULERA la garantie.

1. Retirez le filtre à air/couvercle du silencieux. Voir la section *Retrait et installation du filtre à air/couvercle du silencieux*.
2. Retournez le couvercle et inspectez l'intérieur pour repérer le filtre à air. Retirez le filtre à air de l'intérieur du couvercle du filtre à air/silencieux (Fig. 21).

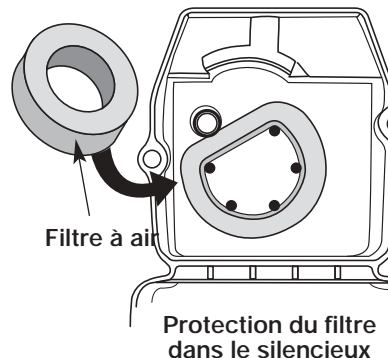


Fig. 21

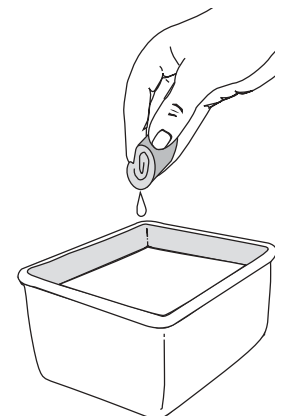


Fig. 22

ENTRETIEN ET RÉPARATIONS

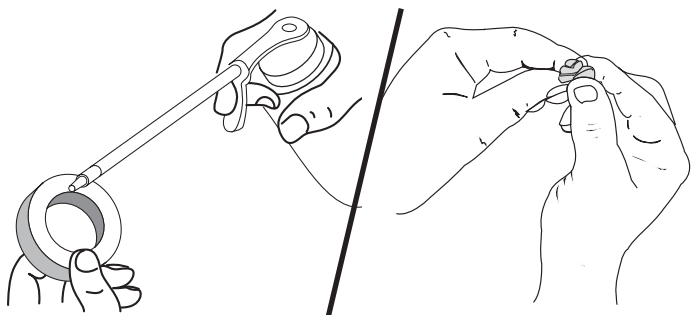


Fig. 23

Fig. 24

3. Lavez le filtre dans un mélange d'eau et de détergent (Fig. 22). Rincez le filtre abondamment. Essorez l'excédent d'eau. Laissez sécher complètement.
4. Appliquez suffisamment d'huile propre SAE 30 pour enduire légèrement le filtre (Fig. 23).
5. Pressez le filtre pour répartir et drainer l'excédent d'huile (Fig. 24).
6. Remplacez le filtre à air dans le filtre à air/couvercle du silencieux (Fig. 21).

REMARQUE : l'utilisation de l'appareil sans filtre à air et sans ensemble filtre à air/couvercle du silencieux ANNULERA la garantie.

Réinstallation du filtre à air/couvercle du silencieux

1. Placez le filtre à air/couvercle du silencieux sur l'endos du carburateur et du silencieux. Alignez les trous à vis.
2. Insérez les quatre (4) vis dans les trous du filtre à air/couvercle du silencieux (Fig. 23) et vissez sans trop serrer.

ENTRETIEN DU PARE-ÉTINCELLES

1. Retirez le couvercle du filtre à air/silencieux. Voir *Retrait du couvercle du filtre à air/silencieux*.
2. Repérez le devant du silencieux et les deux (2) boulons qui le retiennent au moteur (Fig. 25). Retirez les deux (2) boulons à l'aide d'un tournevis à lame plate, d'une douille de 5/16 po ou d'un tourne-écrou. Retirez le silencieux du moteur.
3. Retournez le silencieux vers l'arrière et repérez le joint d'échappement. Retirez le joint du silencieux (Fig. 25).

REMARQUE : si le joint d'échappement est déchiré ou endommagé, remplacez-le par un joint neuf avant de réassembler le silencieux.

4. Soulevez soigneusement le pare-étincelles de son trou à l'aide d'un petit tournevis à lame plate (Fig. 26). Retirez le pare-étincelles du silencieux.
5. Nettoyez le pare-étincelles à l'aide d'une brosse métallique. Remplacez-le s'il est endommagé ou si vous n'arrivez pas à le nettoyer complètement (Fig. 26).

6. Remplacez le pare-étincelles en l'enfonçant dans son trou à l'arrière du silencieux. Assurez-vous qu'il est bien fixé contre le silencieux et qu'il n'est pas soulevé.
7. Placez le joint d'échappement contre l'arrière du silencieux. Alignez les trous de boulon du joint d'échappement avec les trous de boulon du silencieux. Tout en maintenant le joint d'échappement en place, insérez les boulons sur le devant du silencieux (Fig. 25).
8. Placez le silencieux, joint d'échappement en place et boulons insérés, contre le moteur en alignant les trous de boulon. Serrez les boulons pour bien fixer le silencieux au moteur.
Si vous utilisez une clé dynamométrique vissez avec les valeurs de couple suivantes :
80-90 po•lb (9-10,2 N•m).
9. Remplacez le couvercle du filtre à air/silencieux.

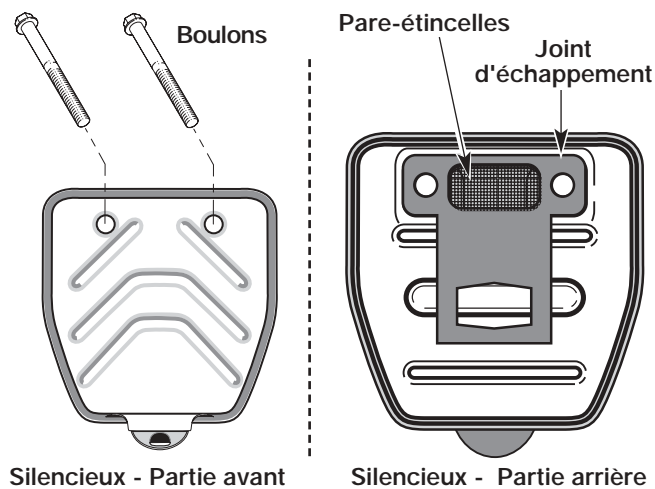


Fig. 25

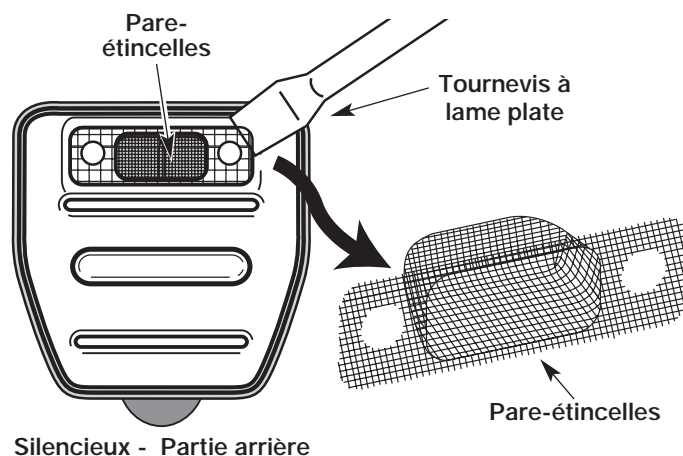


Fig. 26

ENTRETIEN ET RÉPARATIONS

RÉGLAGE DU CARBURATEUR

Le régime ralenti du moteur est réglable par le couvercle du filtre à air/silencieux (Fig. 27).

REMARQUE : des réglages non soigneux peuvent endommager sérieusement l'appareil. Les réglages de carburateur doivent être faits par un concessionnaire agréé.

Vérification du mélange de carburant

En général, si l'appareil ne fonctionne pas correctement, c'est que le carburant est vieux ou mal mélangé. Videz puis remplissez le réservoir de carburant frais et bien mélangé avant d'effectuer des réglages. Voir la section *Informations sur l'huile et le carburant*.

Nettoyage du filtre à air

L'état du filtre à air est très important pour le fonctionnement de l'appareil. Un filtre à air sale restreint le débit d'air et affecte le mélange de carburant/air. On confond cela souvent avec un mauvais réglage du carburateur. Vérifiez l'état du filtre à air avant de régler la vis de réglage de ralenti. Voir *Entretien du filtre à air*.

Réglage de la vis de réglage de ralenti



AVERTISSEMENT : L'appareil doit être en marche pendant le réglage du ralenti. Portez des vêtements protecteurs et respectez toutes les consignes de sécurité pour éviter des blessures graves.

De plus, posez l'appareil sur une surface propre et dure uniquement lors du démarrage ou d'un réglage. Les débris tel que gravier, sable, poussière, herbe, etc. peuvent être aspirés par la prise d'air et rejetés par l'ouverture de décharge, endommageant ainsi l'appareil ou des biens matériels ou causant des blessures graves aux personnes.

Si le moteur ne se met toujours pas au ralenti après vérification du mélange de carburant et nettoyage du filtre à air, réglez la vis de ralenti comme suit :

1. Démarrez le moteur et laissez-le tourner à haut régime pendant une minute pour se réchauffer.
2. Relevez le levier de bascule des modes souffeuse/aspirateur (mode souffeuse). Voir *Utiliser comme souffeuse*.

NOTE : Mettez le levier sur mode souffeuse pour empêcher le sac d'aspirateur de se remplir lors du démarrage ou du fonctionnement du moteur.

3. Relâchez le levier d'accélérateur et laissez le moteur au ralenti. Si le moteur s'arrête, insérez un petit tournevis à embout cruciforme ou à tête plate dans le trou du couvercle du filtre à air/silencieux (Fig. 27). Vissez la vis de réglage du ralenti de 1/8 de tour à la fois (selon le besoin) jusqu'à ce que le moteur se mette bien au ralenti
4. Si le ralenti semble trop rapide, dévissez la vis de réglage du ralenti de 1/8 de tour à la fois (selon le besoin) pour réduire la vitesse de ralenti.

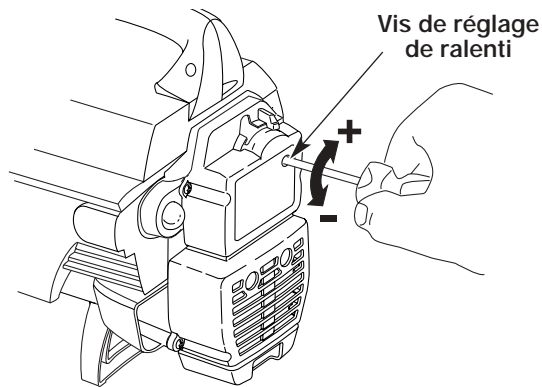


Fig. 27

La vérification du mélange de carburant, le nettoyage du filtre à air et le réglage de la vis de ralenti devraient résoudre la plupart des problèmes de moteur.

Dans le cas contraire et si :

- Le moteur ne se met pas au ralenti
- Le moteur hésite ou se cale lors d'une accélération
- Le moteur perd de la puissance

faites régler le carburateur par un concessionnaire agréé.

REPLACEMENT DE LA BOUGIE

Utilisez une bougie Champion RDJ7Y. L'écartement correct est de **0,5 mm (0,020 po)**.

Retirez la bougie après **25 heures** de fonctionnement et vérifiez son état.

1. Arrêtez le moteur et laissez-le refroidir. Saisissez fermement le câble de la bougie et retirez le capuchon de celle-ci.
2. Nettoyez toute saleté de la bougie. Retirez la bougie de la culasse en tournant la douille de 5/8 po à gauche.
3. Remplacez toute bougie fendillée, encrassée ou sale. Réglez l'écartement à **0,5 mm (0,020 po)** à l'aide d'une jauge d'épaisseur (Fig. 28).



MISE EN GARDE : évitez de sabler, gratter ou nettoyer les électrodes car de la saleté dans le moteur pourrait endommager le cylindre.

4. Installez la bougie avec un écartement correct dans la culasse en tournant la douille de 5/8 po à droite jusqu'à la bien visser.

Si vous utilisez une clé dynamométrique vissez avec les valeurs de couple suivantes :

110-120 po•lb (12,3-13,5 N•m).

Évitez de trop serrer.

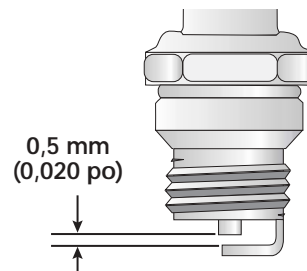


Fig. 28

ENTRETIEN ET RÉPARATIONS

NETTOYAGE



AVERTISSEMENT: pour éviter des blessures graves, éteignez toujours l'appareil et laissez-le refroidir avant tout nettoyage ou entretien.

Nettoyer l'extérieur de l'outil à l'aide d'une petite brosse. Ne pas utiliser de détergents puissants. Les produits ménagers contenant des huiles aromatiques tel que le pin et le citron et les solvants tel que le kérosène peuvent endommager le boîtier ou la poignée en plastique. Essuyer toute trace d'humidité à l'aide d'un chiffon doux.

NETTOYAGE DU SAC D'ASPIRATEUR

1. Videz le sac après chaque utilisation pour éviter toute détérioration et ne pas restreindre le débit d'air, ce qui affaiblirait les performances de l'aspirateur.
2. Portez un protecteur oculaire et un masque antipoussières pour nettoyer le sac. Retournez le sac à l'envers après l'avoir vidé pour la première fois et secouez-le vigoureusement pour éliminer poussière et débris.
3. Lavez le sac une fois par an ou plus selon le besoin :
 - a. Retirez le sac d'aspirateur.
 - b. Retournez-le à l'envers.
 - c. Suspendez-le.
 - d. Lavez-le abondamment avec un tuyau.
 - e. Suspendez-le et laissez sécher.
 - f. Retournez le sac à l'endroit et remettez-le en place.

REMISAGE

- Ne jamais remiser l'outil plein de carburant dans un lieu où les vapeurs peuvent atteindre une flamme vive ou des étincelles.
- Laisser le moteur refroidir avant le remisage.
- Remiser l'outil dans un lieu verrouillé pour éviter toute utilisation non autorisée ou éviter des dommages.
- Remiser l'outil dans un lieu sec et bien aéré.
- Remiser l'outil hors de portée des enfants.

REMSISAGE À LONG TERME

Si l'outil doit être remisé pour une période prolongée, procéder comme suit :

1. Vider tout le carburant du réservoir dans un récipient contenant le même mélange 2-temps. Ne pas utiliser de carburant entreposé pendant plus de 60 jours. Éliminer le vieux mélange de carburant conformément aux réglementations gouvernementales et locales en vigueur.
2. Démarrer le moteur, puis le laisser tourner jusqu'à ce qu'il cale afin de brûler tout le carburant.
3. Laisser le moteur refroidir. Retirer la bougie et verser environ 30 ml (1 oz) d'huile moteur 2-temps de bonne qualité dans le cylindre. Tirer lentement sur la corde de démarrage pour bien répartir l'huile. Remettre la bougie en place.

REMARQUE : retirer la bougie et vider toute l'huile du cylindre avant de démarrer l'outil après une période de remisage.

4. Nettoyer soigneusement l'outil et vérifier qu'il n'y a pas de pièces desserrées ou endommagées. Réparer ou remplacer les pièces endommagées, puis serrer les vis, écrous et boulons selon le besoin. L'outil est alors prêt pour le remisage.

TRANSPORT

- Laisser le moteur refroidir avant le transport.
- Bien arrimer l'outil pour le transport.
- Vider tout le carburant de l'outil.
- Serrer le bouchon du réservoir avant le transport.

ACCESSOIRES/PIÈCES DE RECHANGE

Huile 2-temps	147543
Bougie	610311
Bouchon du carburant	180000
Sac d'aspirateur	753-04102
Ens. de tube de souffreuse/aspirateur	182606
Harnais d'épaule	682075

Ces pièces de rechange sont en vente chez les concessionnaires agréés.

DÉPANNAGE

LE MOTEUR NE DÉMARRE PAS

CAUSE

Étrangleur en position incorrecte
Réservoir de carburant vide
La poire d'amorçage n'a pas été pressée assez fort
Moteur noyé
Carburant vieux ou mal mélangé
Bougie encrassée
Pare-étincelles colmaté

SOLUTION

Voir les *instructions de démarrage/arrêt*
Le remplir de carburant bien mélangé
Pressez-la complètement et lentement de 10 fois
Utiliser la procédure de démarrage SANS L'ÉTRANGLEUR
Vider le réservoir/ajouter du carburant frais
La remplacer ou la nettoyer
Nettoyez ou remplacez le pare-étincelles

LE MOTEUR NE GARDE PAS LE RALENTI

CAUSE

Filtre à air colmaté
Carburant vieux ou mal mélangé
Mauvais réglage du carburateur

SOLUTION

Le remplacer ou le nettoyer
Vider le réservoir/ajouter du carburant frais
Ajuster selon les instructions

LE MOTEUR N'ACCÉLÈRE PAS

CAUSE

Carburant vieux ou mal mélangé
Mauvais réglage du carburateur
Filtre à air sale
Pare-étincelles colmaté

SOLUTION

Vider le réservoir/ajouter du carburant frais
Le faire régler par un concessionnaire agréé
Le remplacer ou le nettoyer
Nettoyez ou remplacez le pare-étincelles

LE MOTEUR MANQUE DE PUISSANCE OU CALE

CAUSE

Carburant vieux ou mal mélangé
Filtre à air colmaté
Mauvais réglage du carburateur
Bougie encrassée
Pare-étincelles colmaté

SOLUTION

Vider le réservoir/ajouter du carburant frais
Le remplacer ou le nettoyer
Le faire régler par un concessionnaire agréé
La remplacer ou la nettoyer
Nettoyez ou remplacez le pare-étincelles

L'APPAREIL NE SOUFFLE/N'ASPIRE PAS

CAUSE

Sac plein
Tube bouché
Hélice bouchée
Hélice endommagée

SOLUTION

Videz le sac, voir *Vider le sac d'aspirateur*
Dégagez le tube, voir *Dégagement d'un(e) tube/hélice bloqué(e)*
Dégagez le tube, voir *Dégagement d'un(e) tube/hélice bloqué(e)*
Confiez l'appareil à un concessionnaire agréé

Pour toute assistance, contacter le concessionnaire agréé.

CARACTÉRISTIQUES

MOTEUR

Type de moteur	Refroidi par air, 2-temps
Cylindrée	31 cc (1,9 po ³)
Régime de fonctionnement	7.100+ tr/min
Régime ralenti	3.600 - 4.800 tr/min
Type d'allumage.....	Électronique
Commande Marche/Arrêt Stop.....	Interrupteur berceau
Écartement de la bougie.....	0,5 mm (0,020 po)
Lubrification	Mélange carburant/huile
Rapport carburant/huile	40:1
Carburateur	Membrane, toutes positions
Démarreur.....	Rembobinage automatique
Silencieux.....	Chicane avec protection
Capacité du réservoir de carburant.....	384 ml (13 oz)

SOUFFLEUSE/ASPIRATEUR

Manette des gaz	Détente à portée du doigt
Vélocité de la souffleuse	257 km/h (160 m/h) max.
Sortie d'air de la souffleuse.....	12,1 m ³ /min (424 pi ³ /min) max.
Rapport de paillage.....	10:1 max.
Capacité du sac d'aspirateur	26,4 l (0,75 boisseaux)
Harnais d'épaule.....	Fermeture rapide unique
Poids à vide (sans carburant, avec tube de souffleuse/aspirateur et sac d'aspirateur, sac vide)	6 kg (13,5 lb)

REMARQUES

REMARQUES

Garantie portant sur les normes antipollution de l'EPA

Vos droits et obligations en vertu de cette garantie

La Environmental Protection Agency et MTD LLC (MTD) ont le plaisir de présenter la garantie du dispositif antipollution des petits moteurs à usage tout-terrain datant de 2002 et au-delà. Les nouveaux petits moteurs à usage tout-terrain doivent être conçus, construits et équipés pour être conformes aux strictes normes anti-smog. Yardworks doit garantir le système de contrôle des émissions de votre petit moteur à usage tout-terrain pendant les périodes de temps indiquées ci-dessous à condition que le moteur n'ait pas souffert d'abus, de négligence ou fait l'objet d'un mauvais entretien.

Votre dispositif antipollution peut inclure des pièces diverses tel que le carburateur ou un système d'injection, le dispositif d'allumage et un convertisseur catalytique. Il pourrait aussi inclure des tuyaux, courroies, connecteurs et autres ensembles de pièces relatives aux émissions.

Advenant une situation couverte par la garantie, Yardworks réparera votre petit moteur à usage tout-terrain sans frais aucun y compris le diagnostic, les pièces et la main d'œuvre.

Les moteurs à usage tout-terrain datant de 2002 et plus sont garantis pendant deux ans. Si une pièce de votre moteur relative aux émissions devenait défectueuse, Yardworks la réparera ou la remplacera.

Responsabilités du propriétaire en vertu de cette garantie

- En tant que propriétaire d'un petit moteur à usage tout-terrain, vous êtes responsable des entretiens requis indiqués dans votre manuel de l'utilisateur. Yardworks recommande que vous conserviez tous les reçus d'entretien de votre petit moteur à usage tout-terrain. Yardworks ne peut toutefois réfuter votre garantie juste parce que vous n'avez pas les reçus ou si vous ne veillez pas à ce que les travaux d'entretien prévus soient effectués.
- En tant que propriétaire d'un petit moteur à usage tout-terrain, sachez que Yardworks peut refuser de vous couvrir sous garantie si votre moteur ou si une pièce sont défaillants pour cause d'abus, de négligence, d'entretien incorrect ou de modifications non autorisées.
- Il vous incombe de présenter votre petit moteur à usage tout-terrain à un centre de service agréé Yardworks dès que le problème fait son apparition. Les réparations sous garantie doivent être achevées dans une durée de temps raisonnable ne dépassant en aucun cas 30 jours.

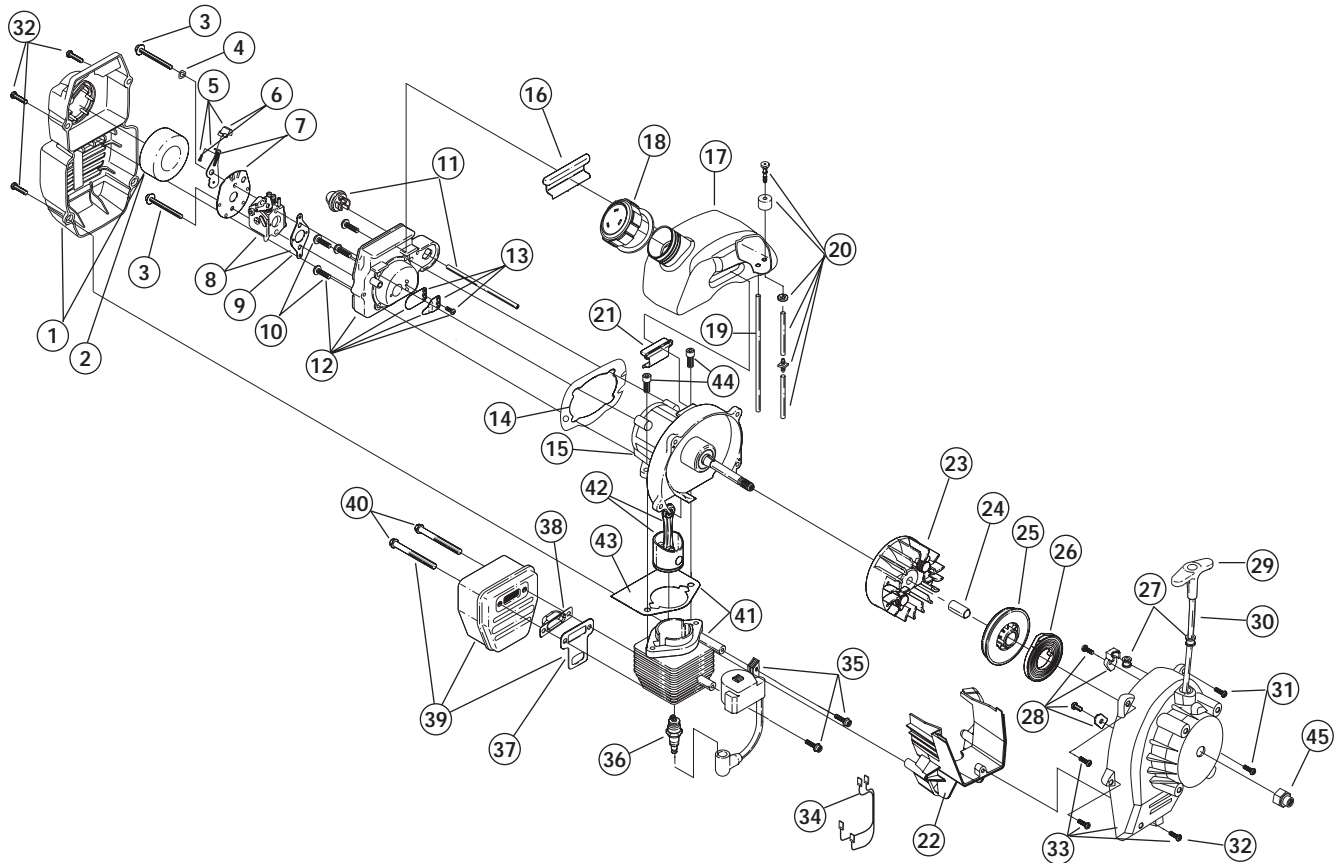
Si vous avez des questions au sujet de vos droits et responsabilités en vertu de cette garantie, appelez le 1-888-939-0992.

Garantie du fabricant

- La période de garantie commence à la date où le moteur ou l'équipement est livré à l'acheteur au détail.
- Le fabricant garantit au propriétaire initial et à chaque acheteur subséquent que le moteur est libre de défauts de matériaux et de vices de fabrication pouvant provoquer la défaillance d'une pièce garantie pendant une période de deux ans.
- Toute réparation ou remplacement d'une pièce garantie devra être effectué sans aucun frais au compte du propriétaire par un centre de service Yardworks agréé. Pour connaître le centre le plus proche de vous, veuillez contact Yardworks à : 1-888-939-0992.
- Toute pièce garantie dont le remplacement n'est pas prévu dans le cadre des entretiens requis, ou dont uniquement une inspection normale est prévue selon le principe de "réparation ou remplacement au besoin", est garantie pendant la période de garantie. Toute pièce garantie dont le remplacement est prévu dans le cadre des entretiens requis sera garantie pendant la période de temps allant jusqu'à la date du premier remplacement prévu pour cette pièce.
- Le propriétaire ne subira pas de frais relatifs à un travail de diagnostic qui conclut que la pièce garantie est défectueuse si le travail de diagnostic a été effectué chez un centre de service Yardworks agréé.
- Le fabricant est responsable de tous les dommages occasionnés aux autres composants du moteur par la défaillance d'une pièce encore sous garantie.
- Les défaillances causées par l'abus, la négligence ou un mauvais entretien ne sont pas couvertes par cette garantie.
- L'utilisation d'un ajout ou de pièces modifiées peut justifier le refus d'une réclamation au titre de la garantie. Le fabricant n'est pas responsable des défaillances des pièces garanties découlant de l'utilisation d'ajouts ou de pièces modifiées.
- Pour déposer une réclamation, adressez-vous au centre de service Yardworks agréé le plus proche. Les services ou réparations sous garantie sont offerts par tous les centres de service Yardworks agréés.
- Toutes les pièces de rechange approuvées par le fabricant peuvent être utilisées dans le cadre d'un entretien ou d'une réparation sous garantie de pièces relatives au dispositif antipollution et sont fournies sans frais. Toute pièce de rechange équivalente en termes de performances ou de durabilité peut être utilisée lors d'un entretien ou d'une réparation hors garantie et ne diminue pas les obligations qui incombent au fabricant en vertu de la garantie.
- Les composants suivants sont inclus dans la garantie relative au système antipollution du moteur : filtre à air, carburateur, poire d'amorçage, conduites de carburant, alimentation d'arrivée, filtre à carburant, module d'allumage, bougie et silencieux.

PARTS LIST

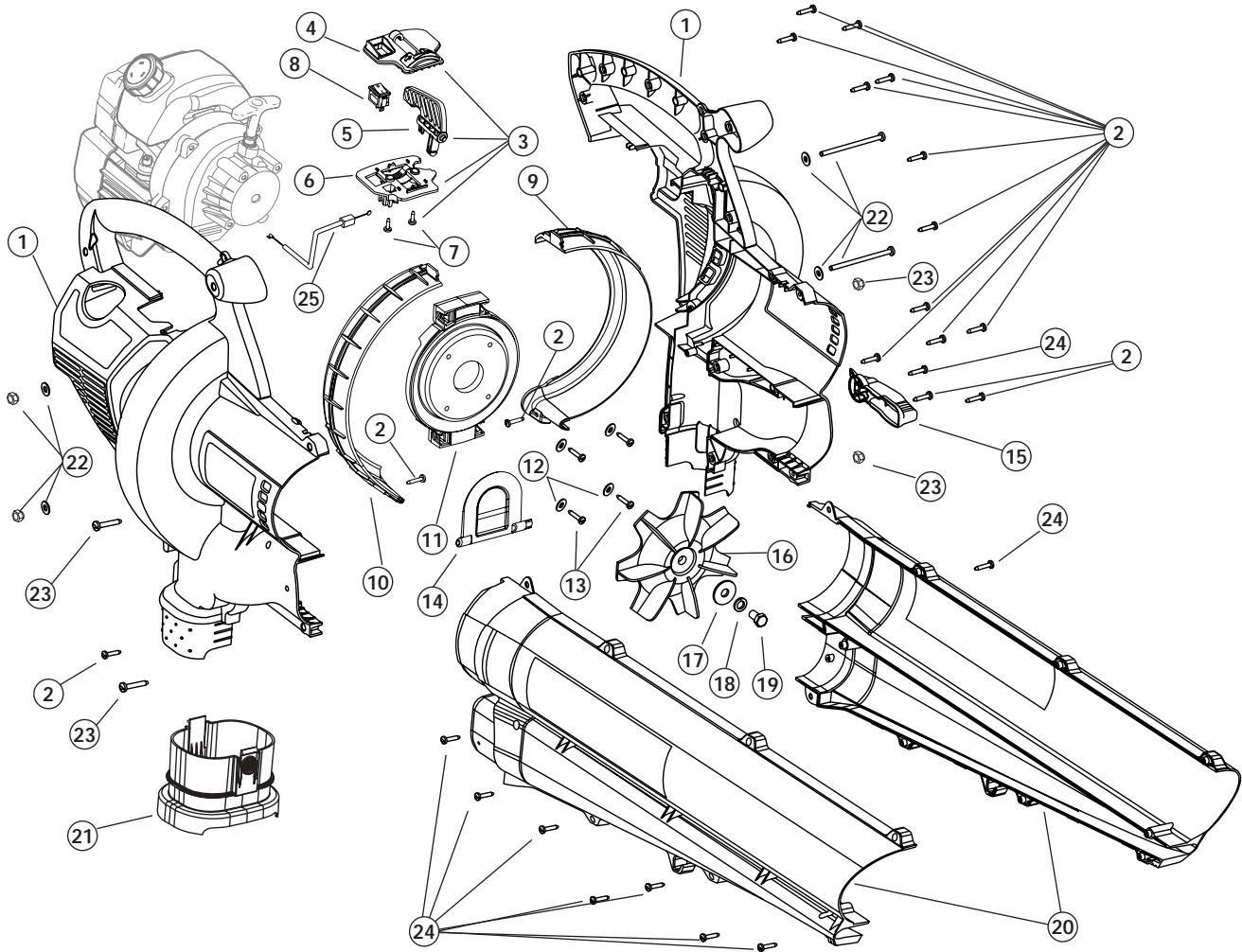
ENGINE PARTS - MODEL 60-3857-0 2-CYCLE GAS MULCHING BLOWER VACUUM



Item	Part No.	Description	Item	Part No.	Description
1	791-182059	Air Cleaner/Muffler Cover Assembly (includes 2 & 32)	27	791-611061	Rope Guide
2	791-180350B	Air Cleaner Filter	28	791-180930	Pulley Retainer Assembly
3	791-180351	Carburetor Mounting Screw	29	791-181079	Pull Handle
4	791-180226	Wavy Washer	30	791-613103	Rope
5	791-182061	Choke Lever Assembly (includes 6)	31	791-181862	Housing Screw
6	791-182070	Choke Knob and Screw	32	791-181345	Cover Screw
7	791-182060	Choke Lever and Plate (includes 5)	33	791-181931	Starter Housing Assembly (includes 25-32)
8	753-04320	Carburetor Assembly (includes 9 & 20)	34	791-182402	Wire Lead Assembly
9	791-610675	Carburetor Gasket	35	753-04324	Module Assembly
10	791-181860	Carb Mount Screw	36	791-147095	Spark Plug
11	791-683974B	Primer and Hose Assembly	37	753-04159	Exhaust Gasket
12	753-1196	Carb Mount Assembly (includes 10,13 & 14)	38	791-182747	Spark Arrestor Screen
13	791-684451	Reed Assembly	39	791-182066	Muffler Assembly (includes 37, 38 & 40)
14	753-1208	Carburetor Mount Gasket	40	791-147575	Muffler Mounting Bolt Assembly
15	753-04328	Crank Case Service Assembly (includes 10)	41	753-04323	Cylinder Assembly (includes 43 & 44)
16	791-612134	Rear Mounting Pad	42	753-1207	Piston and Rod Assembly
17	753-04310	Fuel Tank Assembly (includes 18-20)	43	753-1197	Cylinder Gasket
18	791-182438	Fuel Cap Assembly	44	791-182723	Cylinder Bolt
19	791-181168	Fuel Return Line	45	791-181524	Crankshaft Extension
20	791-682039	Fuel Line Assembly	*	753-04134	Engine Gasket Kit
21	791-145308	Front Mounting Pad	*	791-180602	O.E.M. Carburetor Repair Kit
22	791-182401	Shroud Extension (includes 32)	*	791-181873	Gasket Diaphragm Repair Kit
23	791-182736	Flywheel Assembly	*	753-1209	Piston Ring
24	791-181525	Spacer	*	753-04395	Short Block Assembly (includes 10, 15, 36, 41-44)
25	753-04232	Recoil Pulley Assembly			
26	791-613102	Recoil Spring			
			*	Items Not Shown	

PARTS LIST

HOUSING PARTS - MODEL 60-3857-0 2-CYCLE GAS MULCHING BLOWER VACUUM



Item	Part No.	Description
1	753-04394	Engine Cover Assembly (includes 2)
2	791-181345	Cover Screw
3	791-182419	Throttle Control Assembly (includes 4-7)
4	791-182420	Upper Throttle Control Plate
5	791-182728	Throttle Control Lever
6	791-182422	Lower Throttle Control Plate
7	791-182423	Screw, Plastic
8	791-182405	Rocker Switch Assembly
9	753-04140	Left Side Liner
10	753-04139	Right Side Liner
11	791-182408	Engine Mounting Plate (includes 12 & 13)
12	791-182409	Washer
13	791-181903	Screw
14	791-182410	Mode Control Flapper
15	791-182411	Mode Control Lever (includes 24)

Item	Part No.	Description
16	791-147353	Impeller Blade
17	791-182412	Washer
18	791-182413	Lock Washer
19	791-182414	Bolt
20	753-04102	Blower/Vac Tube Assembly (includes 24)
21	791-182417	Vacuum Bag Adapter
22	791-182424	Mounting Plate Hardware
23	791-182425	Blower/Vac Tube Mounting Hardware
24	791-181482	Screw
25	791-00049	Throttle Cable
*	791-612930	Cable Tie
*	791-182606	Vacuum Bag Assembly (includes 21, Vacuum Bag & Cable Tie)

* Items Not Shown

GARANTIE LIMITÉE DE DEUX ANS



La garantie limitée énoncée ci-après est accordée par YARDWORKS Canada, Toronto Canada, M4S 2B8 ("YARDWORKS") et concerne les marchandises neuves achetées et utilisées au Canada. YARDWORKS garantit ce produit contre tout vice de matière ou de façon pendant une période de deux (2) ans à compter de la date d'achat initiale et elle se réserve le choix de réparer ou de remplacer, à titre gratuit, toute pièce présentant un vice de matière ou de façon. Cette garantie limitée ne s'appliquera que dans la mesure où le produit aura été utilisé et entretenu conformément au Guide de l'utilisateur fourni avec le produit et n'aura pas fait l'objet d'un usage inadéquat, abusif, commercial ou négligent, d'un accident, d'un entretien inadéquat, d'une modification, de vandalisme, d'un vol, d'un incendie, de dégâts des eaux ou d'un endommagement résultant d'un autre péril ou d'un désastre naturel. Les dommages résultants de l'installation ou de l'utilisation de tout accessoire ou équipement non approuvé par YARDWORKS pour une utilisation avec le(s) produit(s) couvert(s) par le présent guide annuleront la garantie et ce qui concerne les dommages qui en résulteraient éventuellement. La présente garantie est limitée à quatre-vingt-dix (90) jours à compter de la date d'achat au détail initiale pour tout produit YARDWORKS utilisé à des fins locatives ou commerciales, ou toute utilisation produisant des revenus.

POUR L'OBTENTION DU SERVICE DE GARANTIE : Le service au titre de la garantie est disponible, SUR PRÉSENTATION D'UNE PREUVE D'ACHAT, AUPRÈS DU CONCESSIONNAIRE AGRÉÉ LOCAL. Pour obtenir le nom du concessionnaire local, se mettre en rapport avec le Service après-vente de YARDWORKS Canada en appelant le 1-888-939-0992 ou en écrivant à YARDWORKS Canada, Toronto Canada, M4S 2B8.

Aucun produit retourné à l'usine sans permission écrite préalable du service après-vente de YARDWORKS Canada ne sera accepté.

La garantie limitée n'offre aucune couverture dans les cas suivants :

- A. Les éléments pouvant s'user : boutons de butée, bobines extérieures, fil de coupe, poulie du démarreur et cordes de démarrage.
- B. YARDWORKS n'accorde aucune garantie pour les produits vendus ou exportés du Canada.

YARDWORKS se réserve la droit de modifier ou d'améliorer la conception de tout produit YARDWORKS sans assumer l'obligation de modifier tout produit d'une fabrication plus ancienne.

Aucune garantie implicite, y compris toute garantie de valeur marchande ou d'adaptation à une fin particulière, ne s'applique après la période applicable de garantie expresse écrite ci-dessus concernant les pièces qui sont identifiées. Aucune autre garantie ou caution expresse, écrite ou orale, à l'exception de celle mentionnée ci-dessus, accordée par toute personne ou entité, y compris tout concessionnaire ou détaillant, concernant tout produit n'engagera la responsabilité de YARDWORKS. Pendant la période de garantie, le recours exclusif est la réparation ou le remplacement du produit dans les conditions énoncées ci-dessus. (Certaines provinces ne permettent pas la limitation de la garantie implicite, il est donc possible que la limitation ci-dessus ne s'applique pas à vous.)

Les clauses énoncées dans la présente Garantie constituent le recours unique et exclusif inhérent aux ventes. YARDWORKS ne sera en aucun cas tenue pour responsable de tout dommage indirect ou consécutif ou de dommages comprenant, entre autres, les dépenses encourues du fait du recours à des services de remplacement ou de substitution pour l'entretien des gazons, le transport ou des frais connexes, ou les frais entraînés par une location destinée à remplacer provisoirement un produit sous garantie. (Certaines provinces ne permettent pas la limitation de la garantie implicite, il est donc possible que la limitation ci-dessus ne s'applique pas à vous.) Aucun recouvrement, quel qu'il soit, ne sera d'un montant supérieur au prix du produit vendu. Toute modification des dispositifs de sécurité du produit annulera la présente Garantie. Vous assumez tout risque et toute responsabilité résultant de la perte, de l'endommagement ou de préjudice que vous et votre propriété et/ou d'autres et leur propriété pourront encourir d'un fait de l'utilisation normale, de la mauvaise utilisation ou de l'empêchement d'utiliser le produit. La présente garantie limitée n'est accordée qu'à l'acheteur initial, au preneur initial ou à la personne à laquelle le produit a été offert. Cette garantie vous accorde des droits spécifiques et il est possible que vous ayez d'autres droits qui pourraient varier d'une province à l'autre.

**Pour obtenir l'adresse du concessionnaire réparateur le plus proche, composer le :
1-888-939-0992 au Canada.**

CONSERVEZ CES INSTRUCTIONS POUR TOUTE RÉFÉRENCE ULTÉRIEURE.

Free Manuals Download Website

<http://myh66.com>

<http://usermanuals.us>

<http://www.somanuals.com>

<http://www.4manuals.cc>

<http://www.manual-lib.com>

<http://www.404manual.com>

<http://www.luxmanual.com>

<http://aubethermostatmanual.com>

Golf course search by state

<http://golfingnear.com>

Email search by domain

<http://emailbydomain.com>

Auto manuals search

<http://auto.somanuals.com>

TV manuals search

<http://tv.somanuals.com>