



Operator's Manual & Illustrated Parts

Walk-Behind Blower
Landscape Maintenance Products

Models

F5

F8

MTD PRODUCTS INC. P.O. BOX 368022 CLEVELAND, OHIO 44136-9722

PRINTED IN U.S.A.

INTRODUCTION

The Walk-Behind Blower should only be operated and maintained by thoroughly trained individuals. The machine can cause serious injury to anyone who misuses it or does not understand its operation. All operator's and maintenance personnel are urged to read this entire manual for their personal safety.

Note: Safety goggles and long pants should be worn when operating or maintaining this machine.

This manual presents the safety, operating instructions and parts breakdowns to keep your Walk-Behind Blower at peak efficiency. If properly operated and maintained, your Walk-Behind Blower will give dependable service.

SAFETY PRECAUTIONS

1. Read this manual thoroughly before operating or maintaining the blower.
2. Always wear safety glasses and long pants when operating or maintaining this machine. Do not wear loose-fitting clothing.
3. Always disconnect the spark plug wire before adjusting or maintaining this machine.
4. When operating, keep your hands and feet away from the side discharge and your hands and clothing away from the fan guard.
5. Do not remove any shields, guards or decals. If a shield, guard or decal is damaged or does not function, repair or replace it before operating the blower.
6. Altering this machine in any way may cause injury to the operator or bystanders.
7. Keep people and pets away from the blower when in use.
8. When operating, never direct the air stream at walls or vertical objects which can deflect debris back at you.
9. When operating, never direct the air stream at painted objects.
10. If a breakdown occurs, shut off the engine immediately, disconnect the spark plug wire and do not connect until repairs have been made.
11. Never run the engine indoors without adequate ventilation. Exhaust fumes are deadly.
12. To avoid serious burns, do not touch the engine, exhaust pipe or muffler while the engine is running or until it has cooled after it has been shut off.
13. Stop the engine and allow it to cool before refilling the gas tank.
14. Gasoline is extremely dangerous and flammable. Do not permit open flames or sparks near the engine at any time.
15. Keep the blower and especially the engine air screen and cooling fins clean and free of grease, grass and leaves to reduce the chance of fire and to permit proper cooling.

PREPARATION

1. Open the packing. Make certain the engine's spark plug wire is disconnected.
2. Assemble the upper and lower handles to the engine plate and the brace to the engine or fan housing as shown in the parts list.
3. Check and tighten all nuts and bolts as necessary.
4. Check the air pressure in the tires. It should be 14-18 psi. **CAUTION:** Do not overinflate.
5. Fill the engine with oil. The oil should be up to but not over the "Full" mark on the dipstick. Above 32° F. use SAE 30 oil. Below 32° F. use SAE 5W20 or SAE 5W30.
6. Fill the gas tank. Use fresh, clean, regular, unleaded gasoline. Leave 1/4 inch at the top of the tank for expansion.

OPERATING INSTRUCTIONS

Prior to Each Day's Use:

1. Disconnect the engine's spark plug wire.
2. Clean the cooling air intake screen and cooling fins.
3. Clean the air filter paper element by gently tapping on the flat side. Do not wash or use pressurized air.
4. Position the blower on a level surface and check the engine oil level.
5. Fill the gas tank.
6. Check and tighten all nuts and bolts as necessary.

To Start the Blower:

1. Connect the engine's spark plug wire.
2. Open the fuel shutoff valve.
3. Move the engine switch to "ON". Move the choke control on the engine to "CHOKE". Move the throttle control to halfway between "SLOW" and "FAST".
4. Grasp the starter grip and pull slowly until the starter engages and then pull the cord rapidly to overcome compression, prevent kickback and start the engine. Allow the cord to recoil slowly. Repeat if necessary.

5. Once the engine starts, close the choke control and when the engine has warmed up, adjust the throttle to produce the amount of sweeping power required.
6. Move to the point where you want to begin sweeping. Move the front door handle at the outlet of the fan housing to point to the side if you want to blow forward. The sweeping action is most effective if, as you move forward, you keep the front of the machine down and close to the work surface to blow out holes and crevices.
7. To shut off the machine, move the engine throttle control to the "OFF" or "SLOW" position, shut off the engine switch and after the engine has stopped, disconnect the engine's spark plug wire and shut the fuel shutoff valve.
8. After use, thoroughly clean the machine especially the engine's air intake screen and cooling fins.

ENGINE MAINTENANCE

Every 25 Hours:

Service the foam air precleaner. Wash in soap and water, rinse and dry. Re-oil with clean engine oil. Change the oil. Change the oil more frequently under dusty conditions. See the oil specifications above. Grease wheels with pneumatic tires. Use No. 0005039 General Purpose Gun Grease.

Every 50 Hours:

Service the fuel filter.

Every 100 Hours:

Replace the air filter paper element. Replace the paper element more frequently under dusty conditions.

5HP Handle Assembly - Parts List for Figure 1

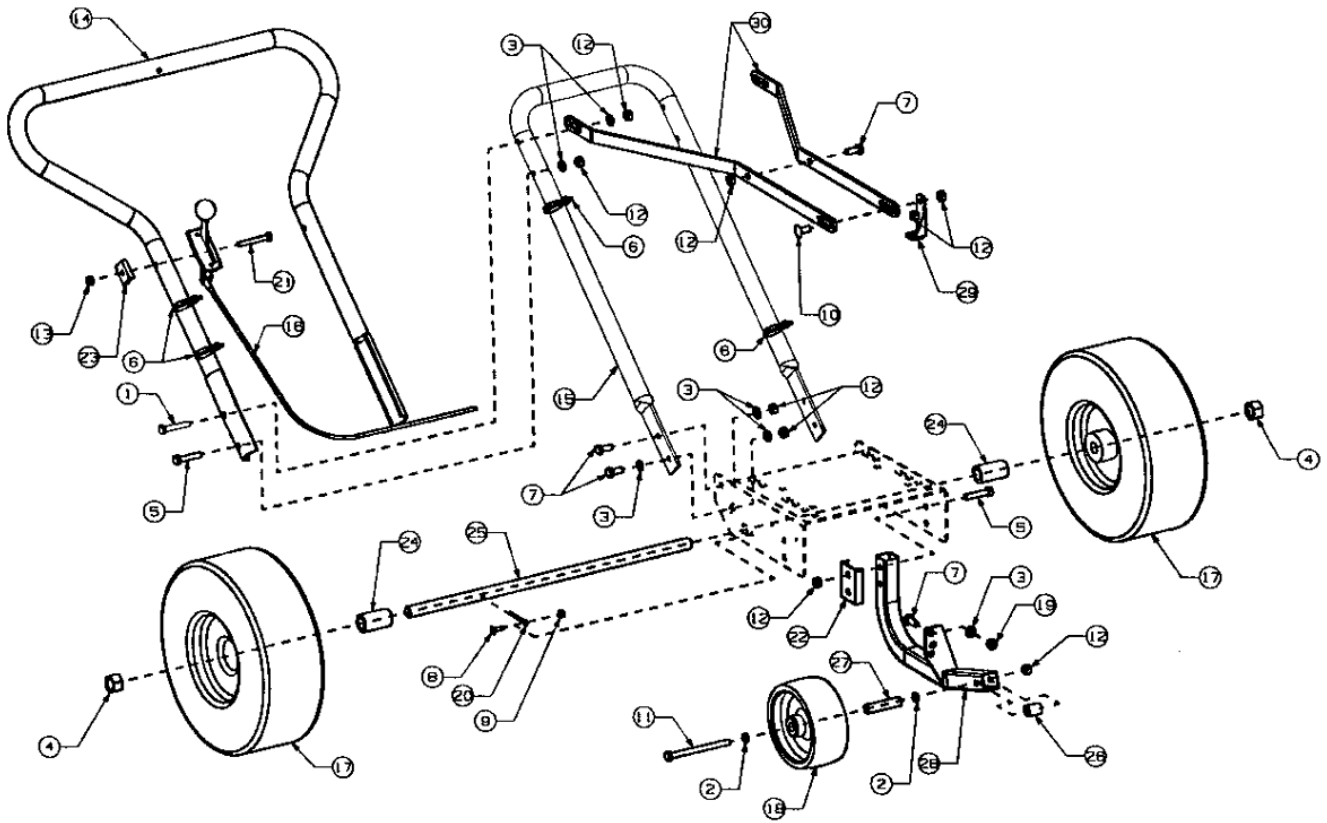
Ref. No.	Part No.	Description	Qty.
1	00006129	HHCS, 5/16-18, 1-3/4	1
2	00011075	Flat Washer, 5/16 USS	2
3	00012169	Flat Washer, SAE 5/16	12
4	00012199	Nut, 5/8-18, Nylock Thin	2
5	00012382	HHCS, Standard, 5/16-18 x 1-1/2	5
6	00013406	HHCS, Standard, 5/16-18 x 3/4	6
7	00030906	Machine Screw, 10-32 x 5/8	1
8	00014608	Nut, Nylon Insert, 10-32	1
9	00022332	HHCS, Standard 5/16-18 x 4	1
10	00022547	Hex Nut Centerlock, 5/16-18	11
11	01001415	Upper Handle	1
12	01001416	Lower Handle	1
13	00031821	Wheel, 11 x 4-4	2
14	00032127	Wheel, 5 x 2 x 1/2	1
15	00034210	Lock Nut, 5/16-18	2
16	00060018	Cotter Pin, 3/16 x 1-1	1
17	01001423	Support Wheel	1
18	01001404	Spacer	2
19	00023094	Axle	1
20	01001405	Spacer Tube Inside	1
21	00030488	Wheel Spacer	1
22	01001414	Brace	1
23	01001418	Frame Assembly	1

Note: Determine which Blower you have purchased from the list below.

Walk-Behind Blower Model No. F5 with 5-H.P. Briggs & Stratton Engine.

Walk-Behind Blower Model No. F8 with 8-H.P. Briggs & Stratton Engine.

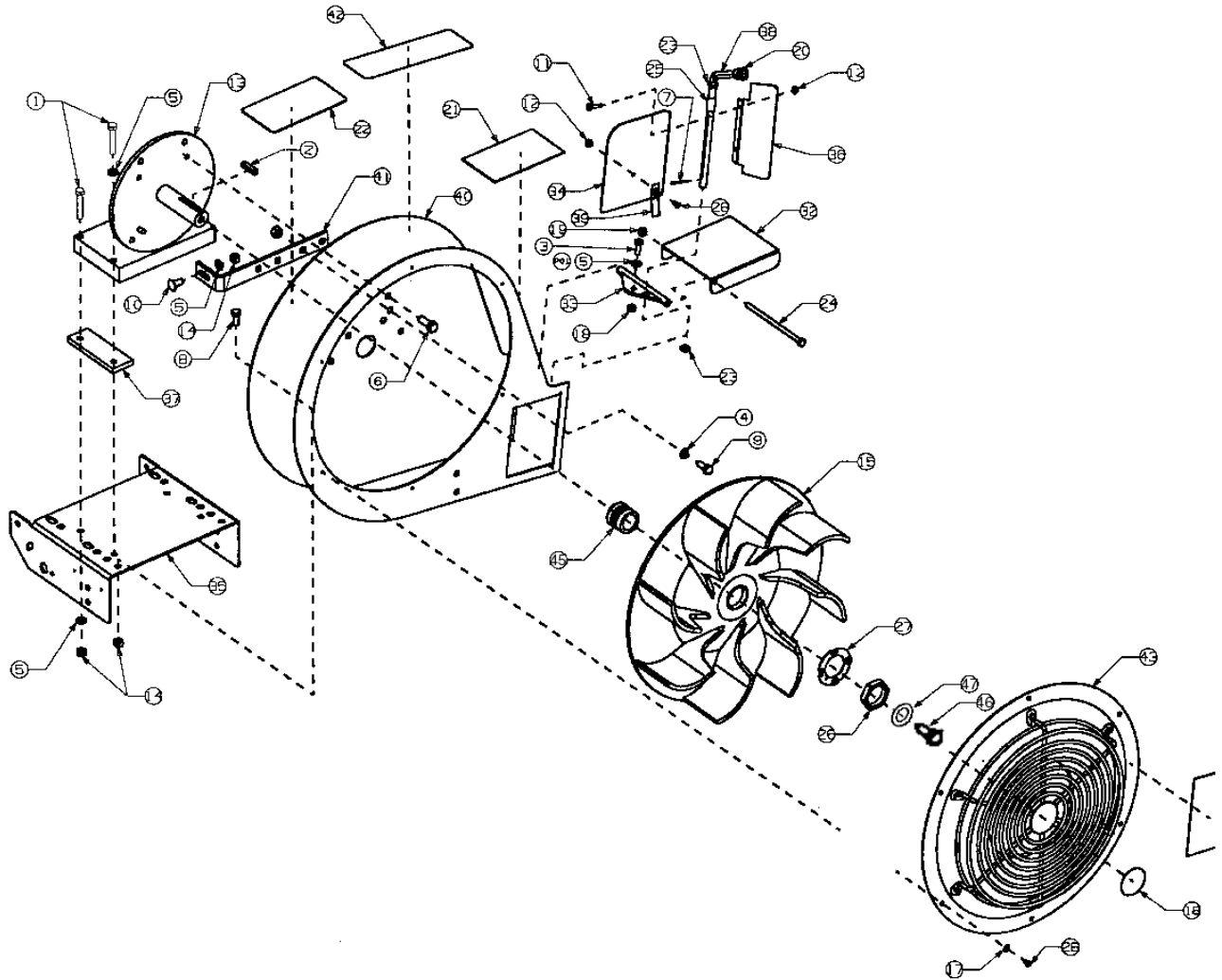
8HP Handle Assembly - Figure 2



8HP Handle Assembly - Parts List for Figure 2

Ref. No.	Part No.	Description	Qty.
1	00006129	HHCS, 5/16-18, 1-3/4	2
2	00011075	Flat Washer, 5/16 USS	2
3	00012169	Flat Washer, SAE 5/16	12
4	00012199	Nut, 5/8-18, Nylock Thin	2
5	00012382	HHCS, Standard, 5/16-18 x 1-1/2	4
6	00012470	Cable Tie, 3/16 x .05 x 7.4	4
7	00013406	HHCS, Standard, 5/16-18 x 3/4	7
8	00030906	Machine Screw, 10-32 x 5/8	1
9	00014608	Nylon, Lock Nut, 10-32	1
10	00020508	Carriage Bolt, 5/16-18 x 4	1
11	00022332	HHCS, Standard, 5/16-18 x 4	1
12	00022547	Hex Nut, 5/16-18	1
13	00023041	Hex Nut, 1/4-20 Side Lock	1
14	01001415	Upper Handle	1
15	01001416	Lower Handle	1
16	00030472	Control Cable	1
17	00031821	Wheel, 11 x 4	2
18	00032127	Wheel, 5 x 2 x 1/2, Bore	1
19	00034210	Lock Nut, 5/16-18	2
20	00060018	Cotter Pin, 3/16 x 1-1	1
21	00070040	HHCS, Standard, 1/4-20 x 2	1
22	01001423	Support Wheel Frame Plate	1
23	00030489	Throttle Spacer	1
24	01001404	Axle Spacer	2
25	00023094	Axle, Long	1
26	00030492	Spacer, Tube, Inside	1
27	00030488	Spacer Wheel Front	1
28	01001408	Assembly, Frame Wheel	1
29	00030497	Brace, Center Offset	1
30	01001426	Brace, Center Offset	2

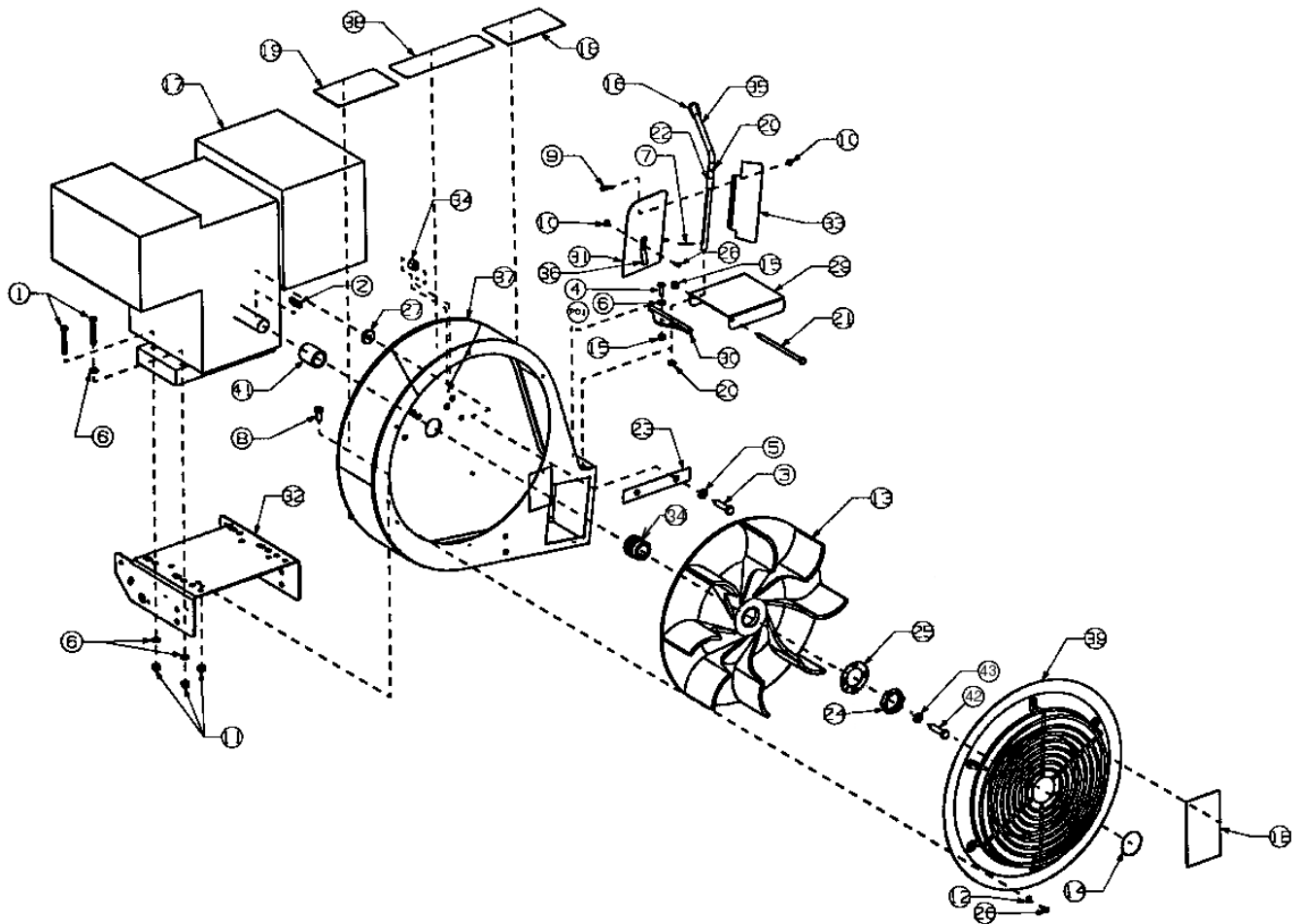
5HP Engine and Blower Assembly - Figure 3



5HP Engine and Blower Assembly - Parts List For Figure 3

Ref. No.	Part No.	Description	Qty.
1	00006129	HHCS, 5/16-18, 1-3/4	4
2	00010022	Key, Stock, 1/4 x 1 -1/8	1
3	00012134	HHCS, Standard, 1/4-20 x 3/4	1
4	00012168	Lock Washer, 5/16	2
5	00012169	Flat Washer	8
6	00012171	HHCS Standard, 5/16-18 x 3/4	2
7	00012204	Cotter Pin, 3/32 x 3/4	1
8	00013406	HHCS, Standard 5/16-18 x 3/4	2
9	00019919	Capscrew, 5/16-24 x 3/4	2
10	00020508	Carriage Bolt, 5/16-18 x 3/4	1
11	00021682	Screw, Hex, 8-32 x 3/4	2
12	00021683	Nut, Washer w/star	3
13	00022425	Hex Screw, 8-32 x 3/4	1
14	00022547	Nut, Washer w/Star	7
15	00022644	Centerlock Hex Nut, 5/16-18	1
16	00022717	Lock Washer	1
17	00022780	Lock Washer	6
18	00022829	Label, Stop First/Lift	1
19	00023041	Lock Nut, Side	2
20	00023048	Tip, Crutch	1
21	00030268	Label, Danger Fan	2
22	00030468	Label, Safety Procedures	1
23	00030651	Bushing	2
24	00031170	HHCS, Standard, 1/4-20 x 5	1
25	00031193	Spacer, Deflector Assembly	1
26	00022782	Bushing, Nut	1
27	00032673	Lock Washer	1
28	00032678	Hex Head Screw, w/slot	7
29	00034224	Lock Nut, 3/8-16	2
30	00090006	Decal, Made In America	1
31	01001077	Engine Oil, 10W40 by the gallon, not shown	.2
32	01001399	Deflector	1
33	01001400	Bracket Assembly	1
34	01001401	Plate Deflector Inside	1
35	01001402	Engine Base	1
36	01001403	Plate Deflector Outside	1
37	01001409	Engine Plate Rise	2
38	00032181	Handle Door Front	1
39	00031395	Latch Front Deflector	1
40	01001412	Assembly Housing	1
41	01001413	Support Center	1
42	01002109	Decal, MTD Pro Tornado	1
43	01001421	Guard Front	1
44	01003705	Compound, Locking Thread, not shown	.1
45	00032136	Hub Body	1
46	01004598	Hex Cap Screw, 7/16-20, 3.25	1
47	01000393	Flat Washer, .469 ID, .875 OD, .105	1

8HP Engine and Blower Assembly - Figure 3



8HP Engine and Blower Assembly - Parts List For Figure 4

Ref. No.	Part No.	Description	Qty.
1	00006129	HHCS, 5/16-18, 1-3/4	4
2	00010022	Key, Stock, 1/4 x 1 -1/8	1
3	00010980	HHCS, 3/8-16, 2.00	2
4	00012134	HHCS, Standard, 1/4-20 x 3/4	1
5	00012157	Lock Washer, 3/8	2
6	00012169	Flat Washer	7
7	00012204	Cotter Pin, 3/32 x 3/4	1
8	00013406	HHCS, Standard 5/16-18 x 3/4	2
9	00021682	Hex Screw, 8-32 x 3/4	2
10	00021683	Nut, Washer w/Star	3
11	00022547	Centerlock Hex Nut, 5/16-18	6
12	00022780	Lock Washer	6
13	00022784	Fan Casting, 14-1/4	1
14	00022829	Label, Stop First/Lift	1
15	00023041	Lock Nut, Side, 1/4-NC	2
16	00023048	Tip, Crutch	1
17	00025740	Engine, Briggs & Stratton (not shown)	1
18	00030268	Label, Danger Fan	2
19	00030468	Label, Safety Procedures	1
20	00030651	Bushing	2
21	00031170	HHCS, Standard, 1/4-20 x 5	1
22	00031193	Spacer, Deflector Assembly	1
23	00032658	Strap, Lock Housing	1
24	00022782	Bushing, Nut	1
25	00032673	Lock Washer	1
26	00032678	Hex Head Screw, w/slot	7
27	00083192	Washer, Idler	2
28	00090006	Decal, Made in America, not shown	1
29	01001399	Deflector	1
30	01001400	Bracket Assembly	1
31	01001401	Plate Deflector Inside	1
32	01001402	Engine Base	1
33	01001403	Plate Deflector Outside	1
34	00032136	Hub Body	2
35	00032181	Handle Door Front	1
36	00031395	Latch Front Deflector	1
37	01001427	Assembly Housing	1
38	01002110	Decal, MTD Pro Tornado F8	1
39	01001433	Assembly, Guard and Ring	1
40	01003705	Compound, Locking Thread, not shown	.1
41	01003720	Spacer, 1.00 ID x 1.25 x 1.50	1
42	01004597	Hex Cap Screw, 3/8-24, 2.50	1
43	00006168	Flat Washer, 3/8	1



EQUIPMENT ONE-YEAR LIMITED WARRANTY

*This warranty is specific for the product manual to which it is attached.
For a complete list of products and warranties contact your dealer.*

Proper maintenance of your equipment is the owner's responsibility. Follow the instructions in your owner's manual for correct lubricants and maintenance schedule. Your dealer carries a complete line of quality lubricants and filters for your equipment's engine, transmission, chassis and attachments.

1. **What Is Covered By This Warranty.** This limited warranty covers any defect in materials or workmanship in your MTD Pro equipment for one year from the date of purchase for the first user purchaser. MTD Pro will replace or repair any part or parts without charge through your authorized MTD Pro dealer. Batteries, belts and tires will be covered for a period of ninety (90) days from date of purchase. Engine warranties beyond listed coverage, if available, is handled directly with the engine manufacturer.
2. **What Is Not Covered By This Warranty.** MTD Pro does not warrant (a) routine maintenance items such as lubricants, filters (oil, fuel, air and hydraulic), cleaning, tune-ups, brake or clutch inspection, adjustments made as part of normal maintenance, blade sharpening, setup and normal wear. (b) incidental costs such as transporting equipment to and from the dealer, telephone charges or renting a product temporarily to replace a warranted product. (c) damage caused by use of the equipment for purposes other than those for which it was designed; (d) damage caused by accident or disasters such as fire, flood, wind and lightning; (e) damage caused by unauthorized attachments or modification; or (f) any other abuse or misuse of the equipment. There is no other express warranty.
3. **Exclusive Warranty.** The foregoing warranty is exclusive and in lieu of all other warranties or remedies, whether written, oral or implied. Any and all implied warranties of merchantability, fitness for a particular purpose, course of dealing or usage of trade are hereby expressly disclaimed and excluded.
4. **Limitation of Remedies.** Under no circumstances, except to the extent prohibited by applicable law, shall MTD Pro be liable for any loss or damage, direct or indirect, special, incidental or consequential arising out of the use or inability to use this equipment including but not limited to any claim for loss of profits, loss of savings or revenue, loss of use of the equipment or any associated equipment, facilities or service, downtime, the claims or costs of third parties including customers, and injury to property. *Some states do not allow limitations on how long an implied warranty lasts or the exclusion or limitation of incidental or consequential damages, so the above limitations or exclusion may not apply to you. This warranty gives you specific legal rights, and you may also have other rights which vary from state to state.*
5. **Future Changes:** MTD Pro reserves the right to reserve, change or modify the construction and design of its Equipment or any component part or parts thereof without incurring the obligations to make such changes or modifications in present equipment.
6. **How to Obtain Service:** Contact the authorized MTD Pro dealer who sold you your equipment to obtain service or replacement parts. If you need further assistance in finding an authorized servicing dealer, contact:

MTD Pro
P.O. Box 361131
Cleveland, Ohio 44136

Free Manuals Download Website

<http://myh66.com>

<http://usermanuals.us>

<http://www.somanuals.com>

<http://www.4manuals.cc>

<http://www.manual-lib.com>

<http://www.404manual.com>

<http://www.luxmanual.com>

<http://aubethermostatmanual.com>

Golf course search by state

<http://golfingnear.com>

Email search by domain

<http://emailbydomain.com>

Auto manuals search

<http://auto.somanuals.com>

TV manuals search

<http://tv.somanuals.com>