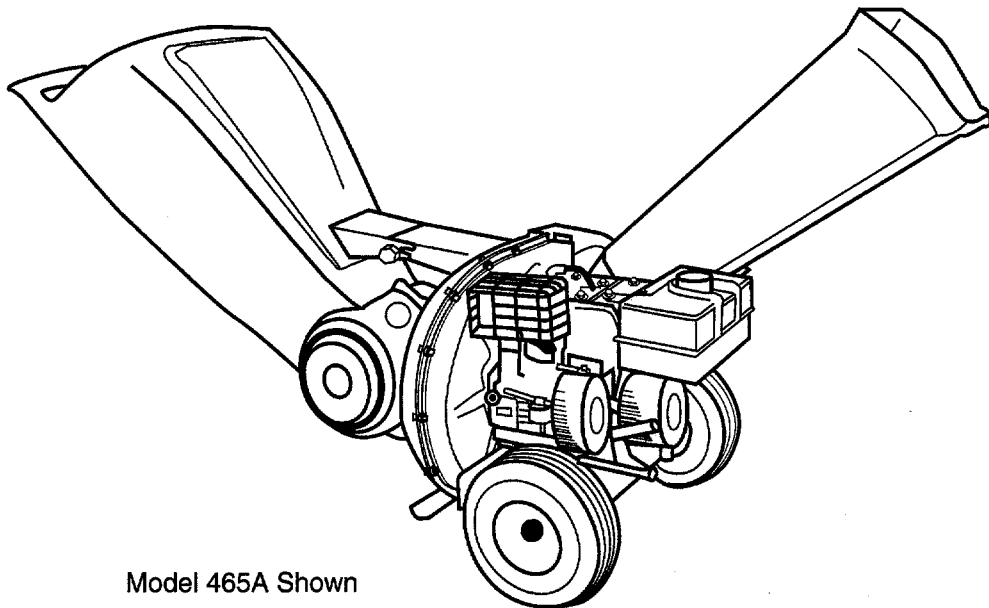




Illustrated Parts Book



CHIPPER SHREDDER Model Numbers

247-462B000

247-463C000

247-465A000

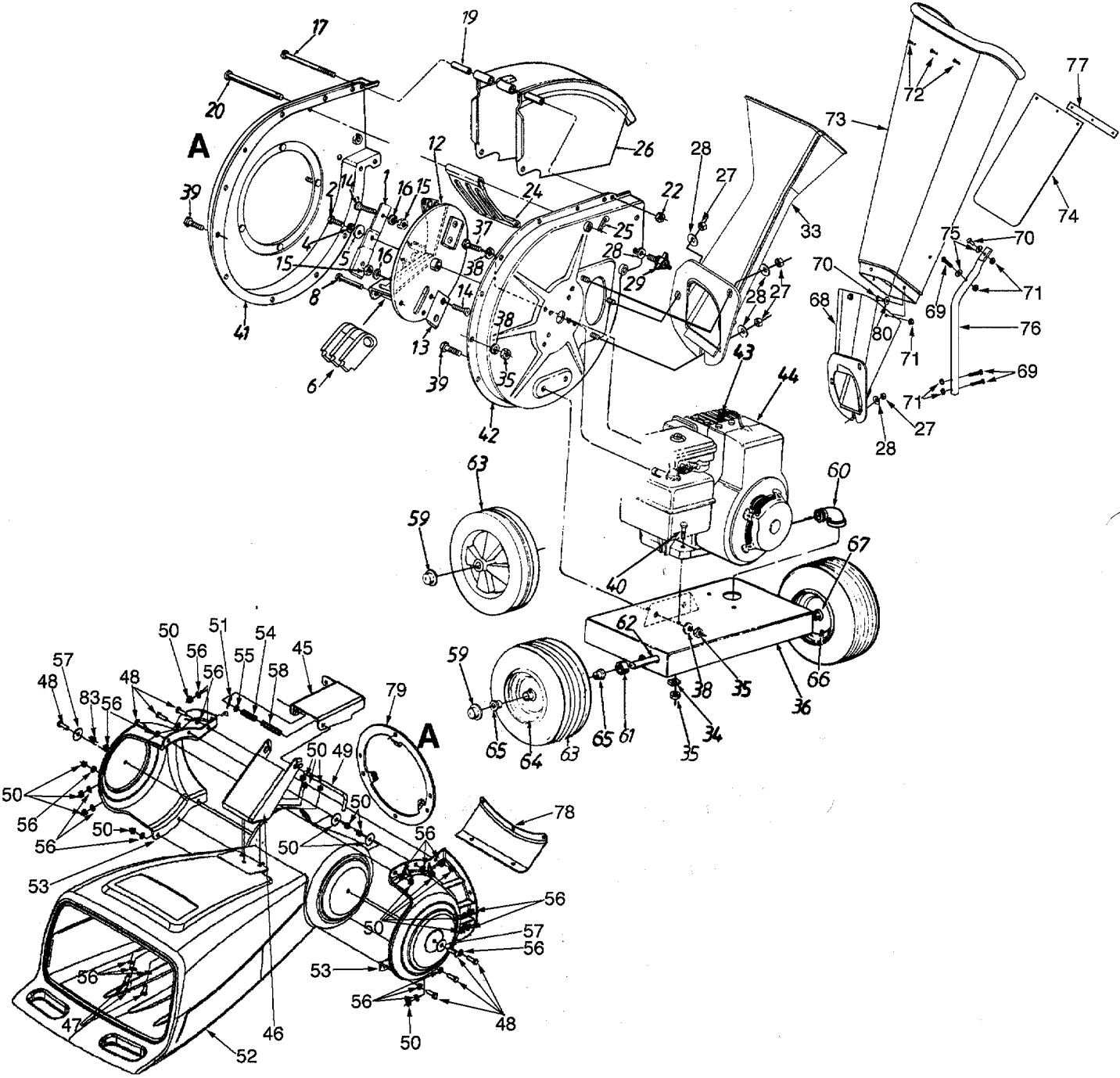
1997

MTD PRODUCTS INC • P.O. BOX 368022 • CLEVELAND, OHIO 44136-9722

PRINTED IN U.S.A.

FORM NO. 770-97-7B

Model 462B, 463C, 465A



Model 462B, 463C, 465A

PARTS LIST FOR MODELS 462B, 463C, 465A CHIPPER SHREDDERS

REF. NO.	PART NO.	CODE	DESCRIPTION	REF. NO.	PART NO.	CODE	DESCRIPTION
1	742-0571		Blade	48	710-0376		Hex Bolt 5/16-18 x 1.0" Lg. (Gr. 5)
2	710-1254		Hex Patch Bolt 3/8-24 x 2.25" (Gr. 8)	49	711-1128	N	Lock Rod
4	736-0217		L-Wash. 3/8" I.D. H.D.	50	712-0429		Hex L-Nut 5/16-18
5	736-0427		Fl-Wash. .406" I.D. x 1.25" O.D. Hdn.	51	714-0104		Internal Cotter Pin .072 x 1.12 Lg.
6	719-0329		Flail Blade	52	731-1707	N	Hopper
8	711-0833B		Clevis Pin .496" Dia.	53	731-1710	N	Collar—Hopper
10	715-0162		Spring Roll Pin 1.125" Lg.	54	732-0306		Compression Spring
12	681-0030		Impeller Ass'y. Comp. (Incl. Ref. 1, 6, 8, 10, 12, 13, 14)	55	736-0117		Flat Wash. 3/8 x .620 x .033
13	781-0490		Chipper Blade	56	736-0264		Flat Wash. .330 x .630 x .06
14	710-1054		Flat Hd. Scr. 5/16-24 x .75" Lg.	57	736-0362		Flat Wash. .320 I.D. x 1.25 O.D.
15	712-0411		Hex Top L-Nut 5/16-24 (Gr. 5)	58	750-0785		Spacer .382 I.D. x .50 O.D. x 1.12
16	736-0119		L-Wash. 5/16" I.D.	59	726-0214		Push Cap 5/8" Dia. Rod
17	710-0825		Hex Bolt 1/4-20 x 3.75" Lg.	60	737-0195		Drain Elbow†
19	750-0793		Chute Hinge Spacer 1.66" Lg.	61	750-0786		Spacer .64 I.D. x .38" Lg.
20	711-0835		Clevis Pin .5" Dia. x 4.62" Lg.	62	738-0814		Shredder Axle†
22	712-0291		Hex Ctr. L-Nut 1/4-20 Thd.		738-0813		Shredder Axle††
24	781-0457		Shredder Screen	63	734-1600		Wheel Ass'y. Comp.†
25	714-0149B		Internal Cotter Pin 3/8" Dia.		734-1597		Wheel Ass'y. Comp.††
26	681-0094	N	Chute Deflector Ass'y.	64	734-1455A		Rim Only††
27	712-3010		Hex Nut 5/16-18 Thd. (Gr. 5)	65	741-0487A		Flange Bearing .632" I.D.††
28	736-0242		Bell-Wash. .345 I.D. x .88"	66	734-0255		Air Valve††
29	720-0170		Hand Knob	67	737-0211		Grease Fitting††
33	681-0095		Chipper Chute Ass'y.†	68	681-0068		Chute Ass'y.††
34	736-0170		Spec. L-Wash. 5/16" I.D.	69	710-0106		Hex Bolt 1/4-20 x 1.25††
35	712-3004A		Hex Nut 5/16-18 Thd. (Gr. 5)	70	710-0258		Hex Bolt 1/4-20 x .0625††
36	781-0510B	N	Shredder Frame	71	712-3027		Lock Nut 1/4-20††
37	710-0157		Hex Bolt 5/16-24 x .75" Lg.	72	728-0175		Pop Rivet††
38	736-0119		L-Wash. 5/16" I.D.	73	731-1899	N	Chipper Chute††
39	710-3008		Hex Bolt 5/16-18 x .75" Lg. (Gr. 5)	74	735-0249		Chute Flap††
40	710-0380		Hex Bolt 5/16-18 x 1.75" Lg.	75	736-0173		Flat Wash. .28 I.D.††
41	681-0004A	N	Flail Housing Ass'y.—L.H.	76	749-1004	N	Chute Support††
42	681-0117	N	Flail Housing Ass'y.—R.H.	77	781-0633		Flat Strip††
43	735-0639		Spark Plug Boot (Optional)	78	781-0515		Front Support Bracket
44	—		Engine	79	781-0574		Back Up Plate
45	681-0104	N	Bracket Ass'y.—R.R.	—	764-0199A		Bag (Not Shown)
46	681-0123	N	Bracket Ass'y.—Frt.	—	723-0400		Safety Glasses (Not Shown)
47	710-0118		Hex Bolt 5/16-18 x .75" Lg. (Gr. 2)				

† Models 462B / 463C

†† Model 465A

TOW HITCH KIT

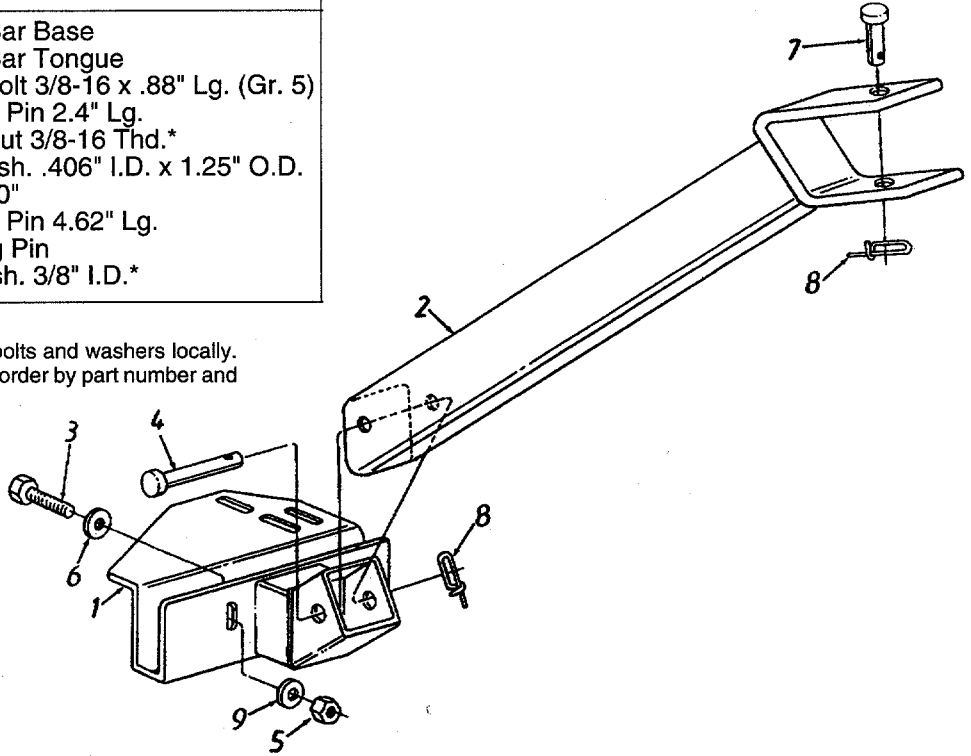
For Models 462B / 463C Only

Model Number
290-003-000

PARTS LIST FOR MODEL 290-003 TOW HITCH KIT

REF. NO.	PART NO.	CODE	DESCRIPTION
1	681-0042		Tow Bar Base
2	681-0043		Tow Bar Tongue
3	710-3001		Hex Bolt 3/8-16 x .88" Lg. (Gr. 5)
4	711-0299		Clevis Pin 2.4" Lg.
5	712-0798		Hex Nut 3/8-16 Thd.*
6	736-0133		Fl-Wash. .406" I.D. x 1.25" O.D. x .10"
7	711-0835		Clevis Pin 4.62" Lg.
8	732-0194		Spring Pin
9	736-0169		L-Wash. 3/8" I.D.*

* For faster service obtain standard nuts, bolts and washers locally. If these items cannot be obtained locally, order by part number and size as shown on parts list.



Free Manuals Download Website

<http://myh66.com>

<http://usermanuals.us>

<http://www.somanuals.com>

<http://www.4manuals.cc>

<http://www.manual-lib.com>

<http://www.404manual.com>

<http://www.luxmanual.com>

<http://aubethermostatmanual.com>

Golf course search by state

<http://golfingnear.com>

Email search by domain

<http://emailbydomain.com>

Auto manuals search

<http://auto.somanuals.com>

TV manuals search

<http://tv.somanuals.com>