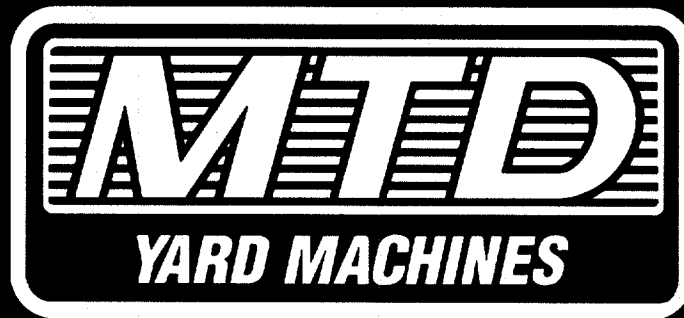


ILLUSTRATED PARTS

AMERICAN  AMERICAN
M A D E O W N E D
OUTDOOR POWER EQUIPMENT



1995

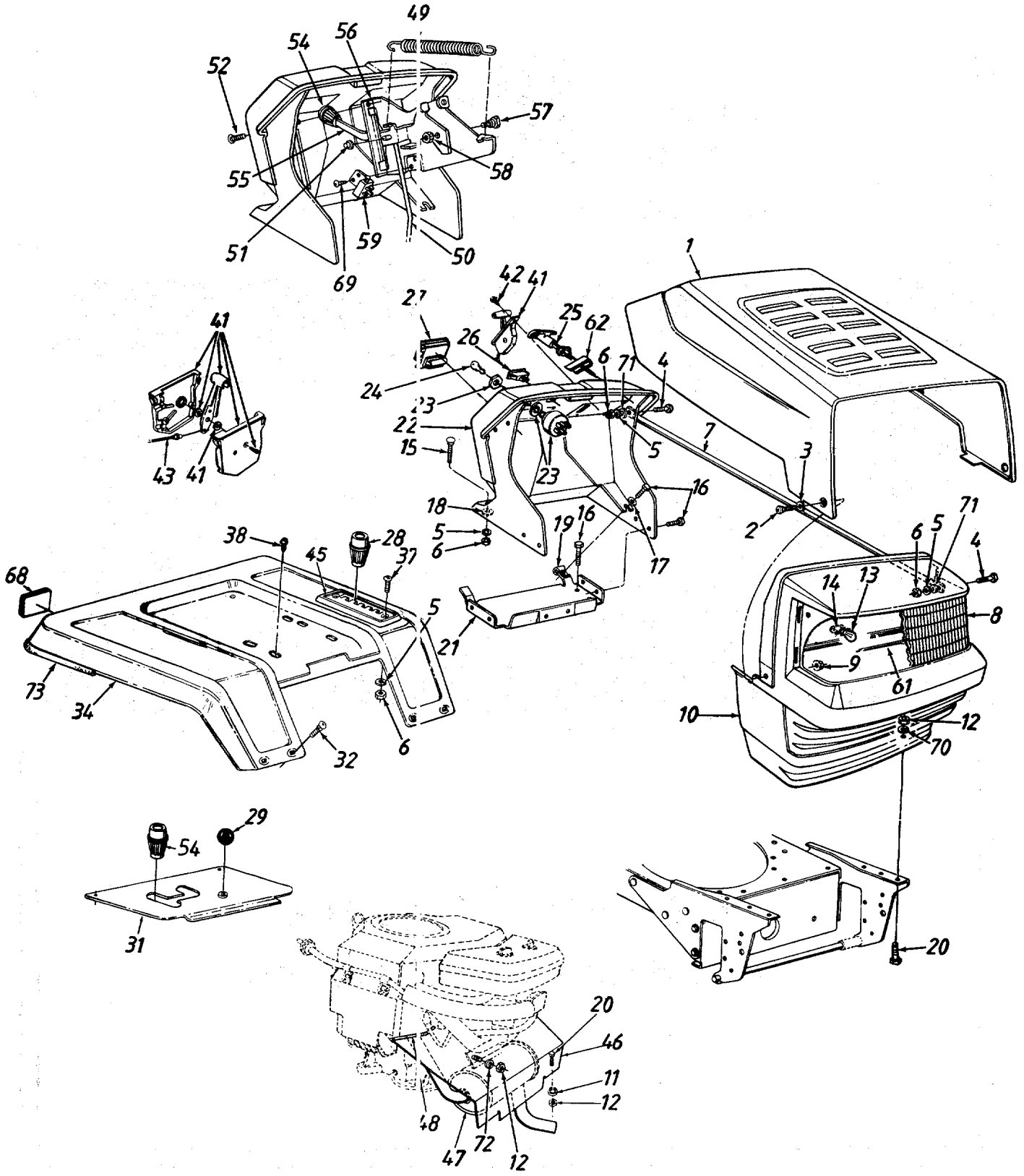
Garden Tractors
820-829; 840-849 Series

MTD PRODUCTS INC • P.O. BOX 368022 • CLEVELAND, OHIO 44136-9722

FORM NO. 770-95-4A

Models 820 and 840

(Style 0)



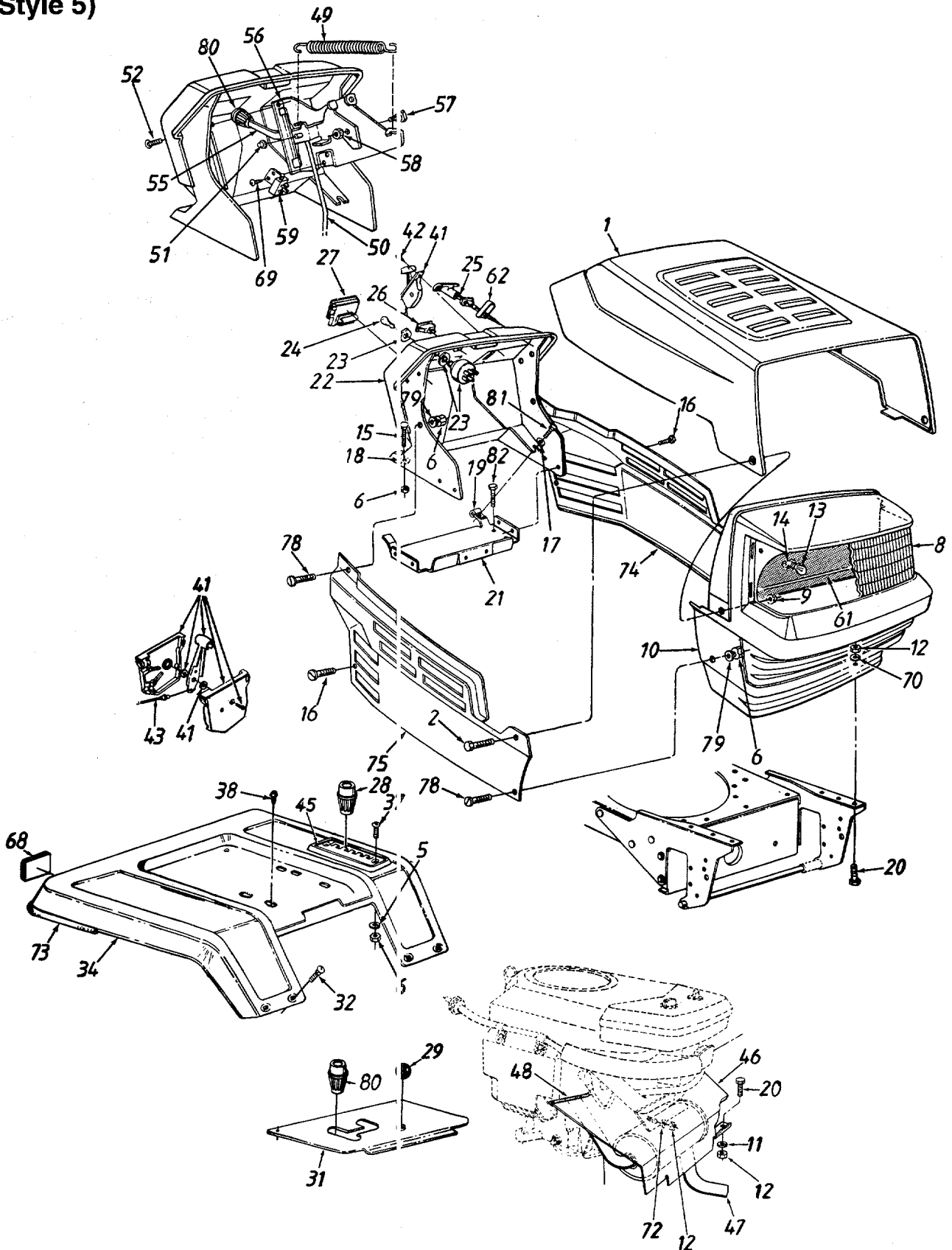
Models 820 and 840

PARTS LIST FOR MODELS 820 AND 840 TRACTORS

REF. NO.	PART NO.	CODE	DESCRIPTION	REF. NO.	PART NO.	CODE	DESCRIPTION
1	783-0250		Hood	32	710-0167		Carriage Bolt 1/4-20 x .5" Lg.
2	738-0724		Shld. Bolt .375" Dia. x .125" Lg.	34	17426A		Fender
3	736-0175		Spr. Wash. .265" I.D. x .562" O.D.	37	710-0166		Truss Mach. Scr. #1/4-20 x 1" Lg.
4	710-0258		Hex Bolt 1/4-20 x .62" Lg.*	38	710-0726		Hex Wash. Hd. AB-Tap Scr. 5/16 x .75" Lg.
5	736-0329		L-Wash. 1/4" I.D.*	41	831-0823A		Throttle Box Ass'y.
6	712-0287		Hex Nut 1/4-20 Thd.*	42	710-0779A		Truss Mach. AB-Tap Scr. #10 x .5" Lg.
7	749-0813A		Grille Support Rod	43	746-0634		Throttle Control Wire
8	731-1099A		Headlight Lens	45	731-1360		6-Speed Selector Plate (820)
9	712-0380		Flange L-Nut 1/4-28 Thd.		731-1071		7-Speed Selector Plate (840)
10	731-1097B		Grille	46	16934		Front Heat Shield
11	736-0119		L-Wash. 5/16" I.D.*	47	751-0474		Muffler
12	712-0267		Hex Nut 5/16-18 Thd.*	48	731-0511-12		Trim Strip 12" Lg.
13	725-0963		Lamp	49	732-0626		Ext. Spring 5.06" Lg.
14	725-1649		Socket	50	747-0750		Deck Control Rod
15	710-0932		Carriage Bolt 1/4-20 x 1.0" Lg.	51	726-0106		Speed Nut 1/4" Rod
16	710-0776A		Hex AB-Tap Scr. 1/4 x .62" Lg.	52	710-1017		Torx Mach. Scr. 1/4 x .62" Lg.
17	736-0173		Fl-Wash. .281" I.D. x .73" O.D.	54	720-0232		PTO Knob
18	726-0233		Bolt Retainer 1/4" I.D.	55	17500		PTO Lever
19	712-0185		Speed Nut 1/4-20 Thd.	56	17496A		PTO Bracket
20	710-0118		Hex Bolt 5/16-18 x .75" Lg.	57	738-0155		Shld. Bolt .437" Dia. x .162"
21	17634		Support Brkt.	58	712-3009		Hex L-Nut 5/16-18 Thd.
22	731-1094B		Dash—w/Ammeter & Light Switch Holes	59	725-0465A		Safety Switch (PTO)
	731-1095B		Dash—w/o Ammeter & Light Switch Holes	61	777-9206		Grille Reflector Label
23	725-0267		Ignition Switch	62	17782		Retainer Clip
24	725-0201		Ignition Key	68	730-3000		Reflector (Optional)
25	746-0614A		Choke Control	69	710-1066		Hex Wash. Hd. B-Tap Scr. #10 x .38" Lg.
26	725-0634		Light Switch (Optional)	70	736-3078		Fl-Wash. .344" I.D. x 1" O.D.
27	725-0925		Ammeter (Optional)	71	736-0342		Fl-Wash. .28" I.D. x .75" O.D.
28	720-0218		Shift Knob	72	736-0170		Spec. L-Wash. 5/16" I.D.
29	720-0166		Knob	73	731-0511-81		Trim Strip 81" Lg.
31	783-0245A	N	Shift Cover				

*For faster service obtain standard nuts, bolts and washers locally. If these items cannot be obtained locally, order by part number and size as shown on parts list.

Models 825 and 845 (Style 5)



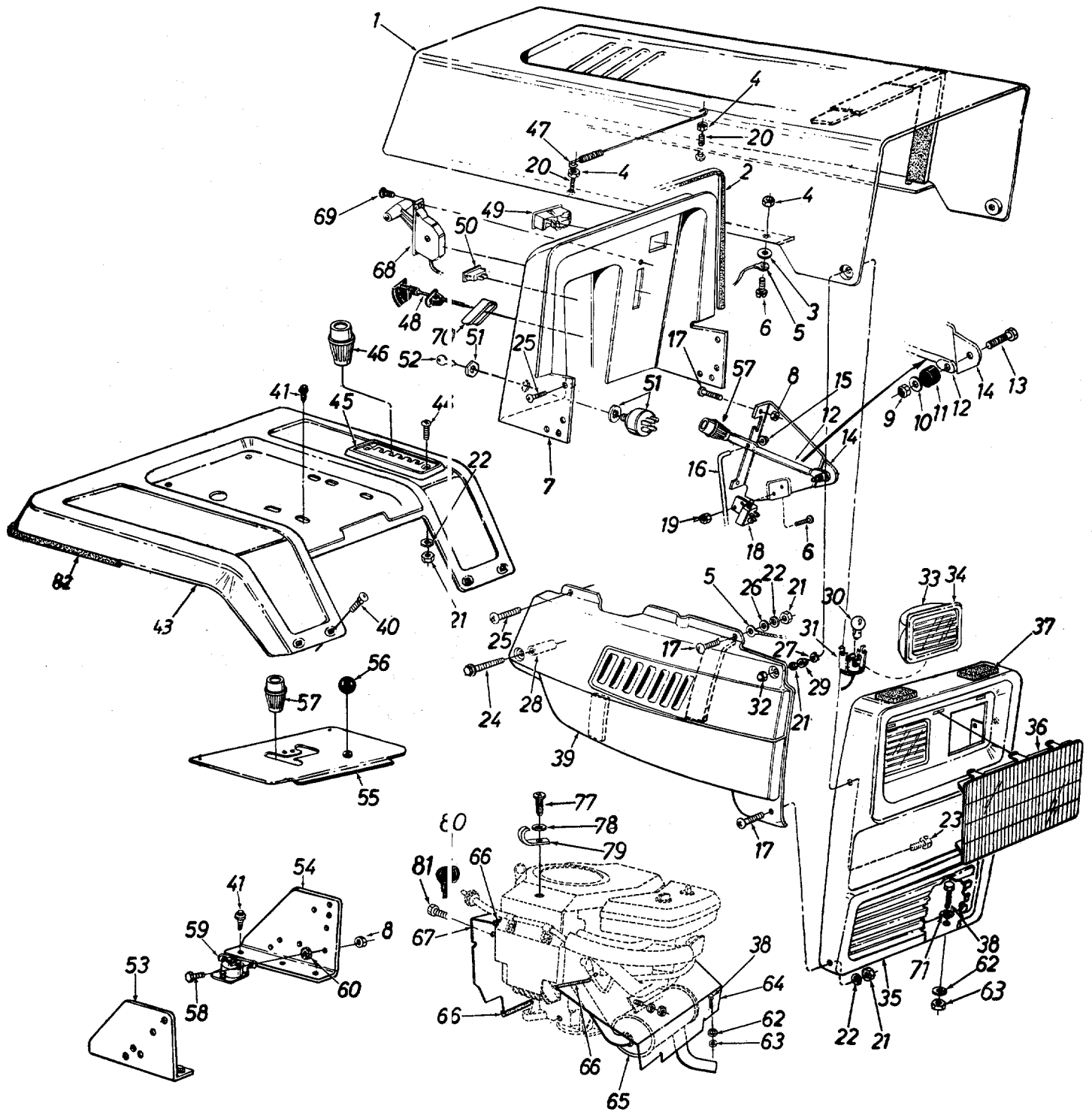
Models 825 and 845

PARTS LIST FOR MODELS 825 AND 845 TRACTORS

REF. NO.	PART NO.	CODE	DESCRIPTION	REF. NO.	PART NO.	CODE	DESCRIPTION
1	783-0250		Hood	41	831-0823A		Throttle Box Ass'y.
2	738-0724		Shld. Bolt .375" Dia. x .125" Lg.	42	710-0779A		Truss Mach. AB-Tap Scr. #10 x .5" Lg.
5	736-0329		L-Wash. 1/4" I.D.*				Throttle Control Wire
6	712-0287		Hex Nut 1/4-20 Thd.*	43	746-0634		6-Speed Selector Plate (825)
8	731-1099A		Headlight Lens	45	731-1360		7-Speed Selector Plate (845)
9	712-0380		Flange L-Nut 1/4-28 Thd.		731-1071		Front Heat Shield
10	731-1097B		Grille	46	16934		Muffler
11	736-0119		L-Wash. 5/16" I.D.*	47	751-0474		Trim Strip 12" Lg.
12	712-0267		Hex Nut 5/16-18 Thd.*	48	731-0511-12		Ext. Spring 5.06" Lg.
13	725-0963		Lamp	49	732-0626		Deck Control Rod
14	725-1649		Socket	50	747-0750		Speed Nut 1/4" Rod
15	710-0932		Carriage Bolt 1/4-20 x 1.0" Lg.	51	726-0106		Torx Mach. Scr. 1/4 x .62" Lg.
16	710-0599		Hex Wash. Hd. TT-Tap Scr. 1/4-20 x .5" Lg.	52	710-1017		PTO Lever
				55	17500		PTO Bracket
17	736-0173		Fl-Wash. .281" I.D. x .73" O.D.	56	17496A		Shld. Bolt .437" Dia. x .162"
18	726-0233		Bolt Retainer 1/4" I.D.	57	738-0155		Hex L-Nut 5/16-18 Thd.
19	712-0185		Speed Nut 1/4-20 Thd.	58	712-3009		Safety Switch (PTO)
20	710-0118		Hex Bolt 5/16-18 x .75" Lg.	59	725-0465A		Grille Reflector Label
21	17634		Support Brkt.	61	777-9206		Retainer Clip
22	731-1094B		Dash—w/Ammeter & Light Switch Holes	62	17782		Reflector (Optional)
	731-1095B		Dash—w/o Ammeter & Light Switch Holes	68	730-3000		Hex Wash. Hd. B-Tap Scr. #10 x .38" Lg.
				69	710-1066		Fl-Wash. .344" I.D. x 1" O.D.
23	725-0267		Ignition Switch	70	736-3078		Spec. L-Wash. 5/16" I.D.
24	725-0201		Ignition Key	72	736-0170		Trim Strip 81" Lg.
25	746-0614A		Choke Control	73	731-0511-81		Side Panel—L.H.
26	725-0634		Light Switch (Optional)	74	783-0151		Side Panel—R.H.
27	725-0925		Ammeter (Optional)	75	783-0150A		Pan Hd. Mach. Scr. 1/4-20 x .5" Lg.
28	720-0218		Shift Knob	78	710-0286		Bell-Wash. 1/4" I.D.
29	720-0166		Knob				Small Shift Knob
31	783-0245A	N	Shift Cover	79	736-0270		Hex TT-Tap Scr. 1/4-20 x .75" Lg.
32	710-0167		Carriage Bolt 1/4-20 x .5" Lg.	80	720-0232		Hex AB-Tap Scr. 1/4 x .62" Lg.
34	17426A		Fender	81	710-0642		
37	710-0166		Truss Mach. Scr. #1/4-20 x 1" Lg.	82	710-0776A		
38	710-0726		Hex Wash. Hd. AB-Tap Scr. 5/16 x .75" Lg.				

*For faster service obtain standard nuts, bolts and washers locally. If these items cannot be obtained locally, order by part number and size as shown on parts list.

Models 828 and 848 (Style 8)



Models 828 and 848

PARTS LIST FOR MODELS 828 AND 848 TRACTORS

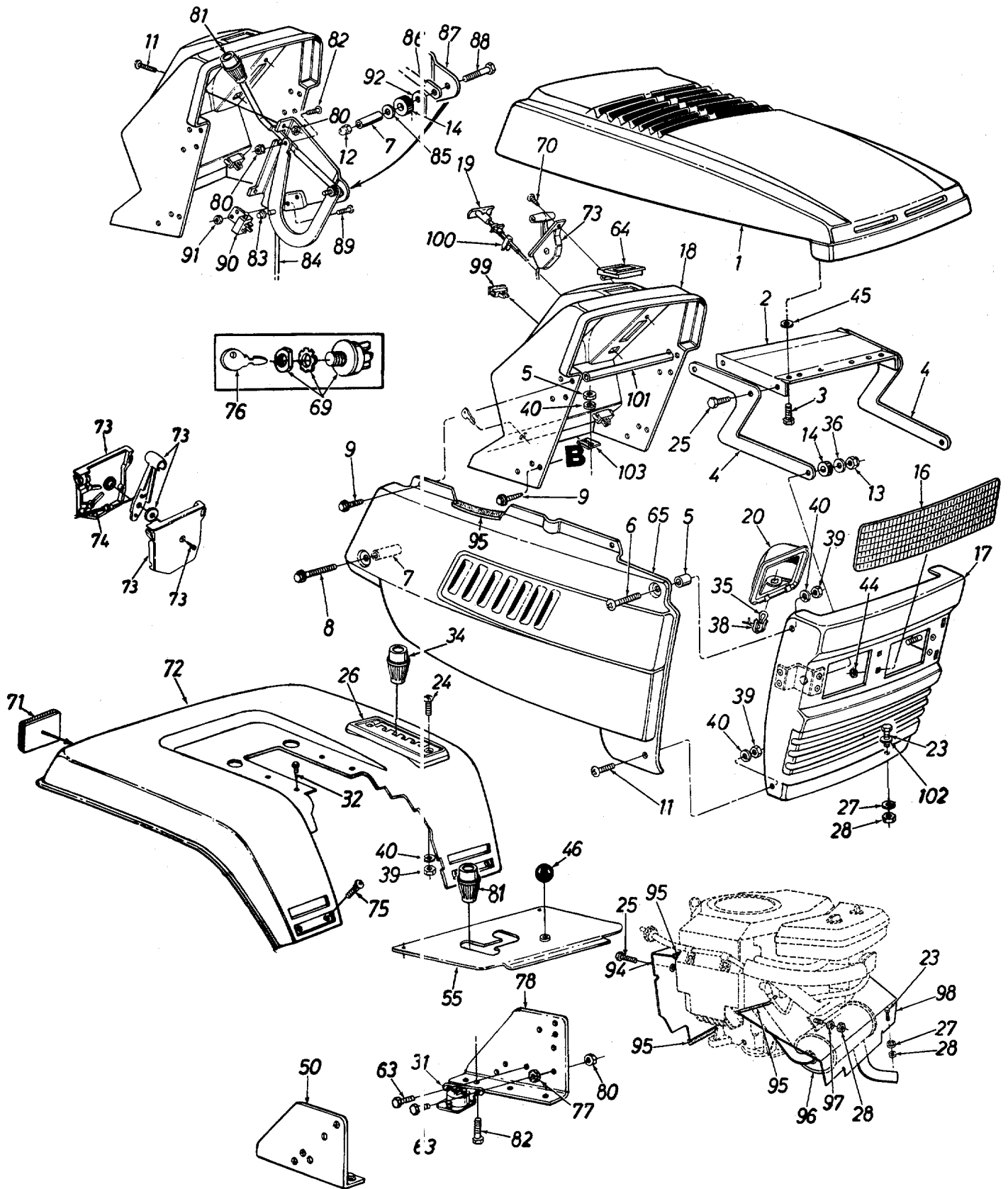
REF. NO.	PART NO.	CODE	DESCRIPTION	REF. NO.	PART NO.	CODE	DESCRIPTION
1	16787A		Hood	40	710-0167		Carriage Bolt 1/4-20 x .5" Lg.
2	731-0511-31		Trim Strip 31" Lg.	41	710-0726		Hex Wash. AB-Tap Scr. 5/16 x .75" Lg.
3	736-0931		Fl-Wash. .20" I.D. x .41" O.D.				Trim Strip—81" Lg.
4	712-0272		Hex Sems Nut #10-24 Thd.	42	731-0511-81		Fender
5	727-0290		Hood Stop	43	17426A		Truss Mach. Scr. 1/4-20 x 1" Lg.
6	710-0473		Truss Mach. Scr. #10-24 x .5" Lg.	44	710-0166		6-Speed Selector Plate (828)
7	16550A		Dash Ass'y. w/Ammeter Hole	45	731-1360		7-Speed Selector Plate (848)
	17998		Dash Ass'y. w/o Ammeter Hole	46	731-1071		Shift Knob
8	712-0271		Hex Sems Nut 1/4-20 Thd.	47	720-0218		Hood Spring
9	712-0324		Hex L-Nut 1/4-20 Thd.	48	732-0462		Choke Control 46" Lg.
10	736-0173		Fl-Wash. .281" I.D. x .73" O.D.	49	746-0613A		Ammeter†
11	735-0126		Rubber Washer	50	725-0925		Light Switch†
12	747-0513		PTO Lever	51	725-0634		Ignition Switch
13	710-0106		Hex Bolt 1/4-20 x 1.25" Lg.*	52	725-0267		Ignition Key
14	13950A		Deck Clutch Control Brkt.	53	725-0201		Dash Support Brkt.—R.H.
15	726-0106		Push Cap	54	17293B		Dash Support Brkt.—L.H.
16	747-0307		Deck Control Rod	55	17294B		Transmission Cover
17	710-0286		Truss Mach. Scr. 1/4-20 x .5" Lg.	56	783-0245A	N	Ball Knob
18	725-0465A		Safety Switch	57	720-0166		Knob—Blade Clutch
19	712-0272		Hex Sems Nut #10-24 Thd.	58	720-0232		Hex Bolt 1/4-20 x .5" Lg.
20	710-0749		Hex Bolt 10-24 x 1.0" Lg.	59	710-0289		Solenoid
21	712-0287		Hex Nut 1/4-20 Thd.*	60	725-1426		Ext. L-Wash. 1/4" I.D.
22	736-0329		L-Wash. 1/4" I.D.*	62	736-0222		L-Wash. 5/16" I.D.*
23	710-0206		Hex Bolt 1/4-20 x .88" Lg.*	63	736-0119		Hex Nut 5/16-18 Thd.*
24	710-1026		Hex Wash. TT-Tap Scr. 1/4-20 x 1.75" Lg.	64	712-0267		Front Heat Shield
25	710-0642		Hex TT-Tap Scr. 1/4-20 x .75" Lg.	65	16934		Muffler
26	736-0463		Fl-Wash. .25" I.D. x .62"	66	751-0474		Trim Strip 12" Lg.
27	736-0413		Spr. Wash. .39" I.D. x .62"	67	731-0511-12		Rear Baffle
28	750-0768		Spacer .26" I.D. x .375"	68	16989A		Throttle Control Box Ass'y.
29	738-0759		Shld. Spacer .375" Dia. x .125" Lg.	69	831-0823A		Truss Mach. AB-Tap Scr. #10 x .5" Lg.
30	725-0963		Lamp	70	710-0779A		Retainer Clip
31	725-1650		Socket	71	17782		Fl-Wash. .344" I.D. x 1" O.D. (Hdn.)
32	712-0264		Acorn Nut 1/4-20 Thd.	77	736-3078		Truss Mach. B-Tap Scr. #10 x .5" Lg.
33	731-0705		Headlight Housing	78	710-0351		Fl-Wash. .188" I.D. x .438" O.D.
34	731-0706		Headlight Lens†	79	736-3067		Clamp
35	15806B		Grille	80	726-0272		Boot
	16456B		Grille—Used w/Headlight Bezel	81	725-3008		Hex Wash Hd. TT-Tap Scr. 1/4-20 x .5" Lg.
36	731-0967		Headlight Bezel†	82	710-0599		Trim Strip 81" Lg.
37	722-0157		Foam Strip				
38	710-0118		Hex Bolt 5/16-18 x .75" Lg.				
39	17458A		Side Panel Ass'y.—R.H.				
	17459A		Side Panel Ass'y.—L.H. (Not Shown)				

†Optional Parts

*For faster service obtain standard nuts, bolts and washers locally. If these items cannot be obtained locally, order by part number and size as shown on parts list.

Models 829 and 849

(Style 9)



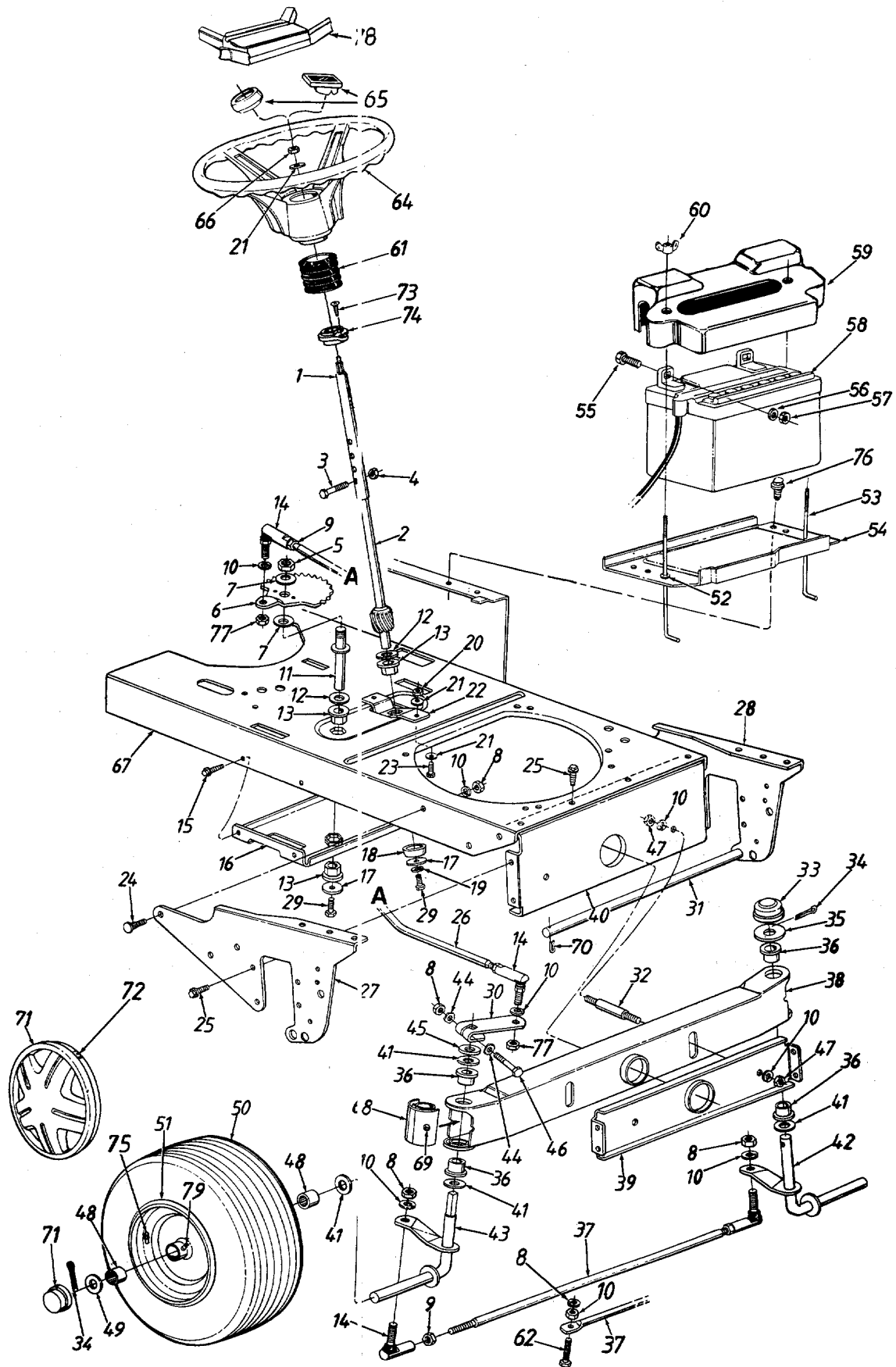
Models 829 and 849

PARTS LIST FOR MODELS 829 AND 849 TRACTORS

REF. NO.	PART NO.	CODE	DESCRIPTION	REF. NO.	PART NO.	CODE	DESCRIPTION
1	731-1491		Hood (Red)	50	17293B		Dash Support Brkt.—R.H.
	731-1531		Hood (Charcoal Gray)	55	783-0245A	N	Transmission Cover
2	16903A		Hood Plate	63	710-0289		Hex Bolt 1/4-20 x .5" Lg.
3	710-1005		Hex Wash. Hd. Tap Scr. 1/4 x .5" Lg.	64	725-0925		Ammeter
				65	17458A		Side Panel Ass'y.—R.H.
4	783-0190		Hood Hinge		17459A		Side Panel Ass'y.—L.H.
5	750-0768		Spacer .34" I.D. x .437"	69	725-0267		Ignition Switch
6	710-0166		Truss Hd. Mach. Scr. 1/4-20 Thd.	70	710-0779A		Truss Mach. AB-Tap Scr. #10 x .5" Lg.
7	750-0583		Spacer .26" I.D. x .375"				Reflector (Optional)
8	710-1026		Hex Wash. TT-Tap Scr. 1/4-20 x 1.75" Lg.	71	730-3000		Rear Fender
				72	17330A		Throttle Control Box Ass'y.
9	710-0642		Hex T-Tap Scr. 1/4-20 x .75" Lg.	73	831-0823A		Throttle Control Wire 35" Lg.
				74	746-0634		Carriage Bolt 1/4-20 x .5" Lg.
11	710-0286		Truss Mach. Scr. 1/4-20 x .5" Lg.	75	710-0167		Key
12	712-0324		Hex Ins. L-Nut 1/4-20 Thd.	76	725-0201		Ext. L-Wash. 1/4" I.D.
13	712-0429		Hex L-Nut 5/16-18 Thd.	77	736-0222		Dash Support Brkt.—L.H.
14	735-0126		Rubber Washer	78	17294B		Hex Sems Nut 1/4-20 Thd.
16	731-1044		Headlight Lens	80	712-0271		Knob
17	17410		Grille Ass'y.	81	720-0232		Hex Bolt 1/4-20 x .62" Lg.
18	731-1046A		Dash Ass'y.	82	710-0258		Push Nut
19	746-0614A		Choke Control	83	726-0106		PTO Rod
20	731-0705		Headlight Housing	84	16985		FI-Wash. .281" I.D. x .73"
23	710-0118		Hex Bolt 5/16-18 x .75" Lg.	85	736-0173		PTO Lever
24	710-0924		Truss Mach. Scr. 1/4-20 x .75" Lg.	86	16984		Deck Clutch Control Brkt.
				87	12476		Hex Bolt 1/4-20 x 2.5" Lg.
25	710-0599		Hex Wash. Hd. Scr. 1/4" x .5" Lg.	88	710-0102		Truss Mach. Scr. #10-24 x .5" Lg.
26	731-1360		6-Speed Selector Plate (829)	89	710-0473		Safety Switch
	731-1069		7-Speed Index Brkt. (849)				Hex Nut #10-24 Thd.
27	736-0119		L-Wash. 5/16" I.D.*	90	725-0465A		PTO Bracket
28	712-0267		Hex Nut 5/16-18 Thd.*	91	712-0121		Engine Baffle
31	725-1426		Solenoid	92	16983		Trim Strip 12" Lg.
32	710-0726		Hex Hd. Rolling Scr. 5/16-24 x .75" Lg.	94	16989A		Muffler
				95	731-0511-12		Spec. L-Wash. 5/16" I.D.
34	720-0218		Shift Knob	96	751-0474		Front Heat Shield
35	725-0963		Lamp	97	736-0170		Light Switch
36	736-0242		Bell-Wash. .34" I.D. x .87"	98	16934		Retainer Clip
38	725-1650		Socket	99	725-0634		Dash Support Tube
39	712-0287		Hex Nut 1/4-20 Thd.*	100	17782		FI-Wash. .344" I.D. x 1" O.D.
40	736-0329		L-Wash. 1/4" I.D.*	101	749-0814		Dash Panel Fastening Tab
44	726-0201		Speed Nut 5/16" I.D.	102	736-3078		Chome Label
45	736-3010		FI-Wash. .406" I.D.	103	783-0013		
46	720-0166		Ball Knob	104	777-8568A		

*For faster service obtain standard nuts, bolts and washers locally. If these items cannot be obtained locally, order by part number and size as shown on parts list.

Models 820 thru 829; 840 thru 849

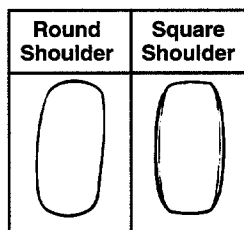


Models 820 thru 829; 840 thru 849

PARTS LIST FOR 800 SERIES GARDEN TRACTORS

REF. NO.	PART NO.	CODE	DESCRIPTION	REF. NO.	PART NO.	CODE	DESCRIPTION
1	16512		Steering Column Ass'y.	43	16914		Front Axle Ass'y.—R.H.
2	738-0763		Lower Steering Shaft	44	736-0286		Bowed Washer
3	710-0958		Hex Bolt 1/4-20 x 1.31" Lg.	45	748-0160		Spacer .755" I.D. x 1.25" O.D.
4	712-0324		Hex L-Nut 1/4-20 Thd.	46	710-0331		Hex Bolt 3/8-24 x 2.25" Lg.
5	712-0318		Hex Jam Nut 5/8-18 Thd.*	47	712-0798		Hex Nut 3/8-16 Thd.*
6	717-0943A		Steering Gear Segment	48	**		Bearing
7	736-0317		Bell-Wash. 5/8" I.D. x 1.25" O.D.	49	736-0316		Fl-Wash. .71" I.D. x 1.5" O.D.
8	712-0241		Hex Nut 3/8-24 Thd.	50	**		Wheel Ass'y. Comp.
9	712-0711		Hex Jam Nut 3/8-24 Thd.		**		Tire Only
10	736-0169		L-Wash. 3/8" I.D.*	51	**		Rim Only
11	738-0768		Steering Gear Segment Shaft	52	726-0271		Push Nut
12	736-0187		Fl-Wash. .64" I.D. x 1.24" O.D.	53	711-0222		Battery Hold Down Rod
13	748-0227A		Hex Flange Brg. .63" I.D.	54	17635		Battery Plate
14	723-3018		Ball Joint Ass'y.		17634		Battery Plate (820, 825, 840 & 845 Only)
15	710-0599		Hex Wash. Hd. TT-Tap Scr. 1/4-20 x .5" Lg.	55	710-0258		Hex Bolt 1/4-20 x .62" Lg.*
16	16888A		Deck Idler Support Brkt.	56	736-0329		L-Wash. 1/4" I.D.*
17	736-0343		Fl-Wash. .33" I.D. x 1.25" O.D.	57	712-0287		Hex Nut 1/4-20 Thd.*
18	750-0532		Spacer .985" I.D. x 1.25" O.D.	58	725-1635		Battery (275 Cold Crank Amps)
19	736-0119		L-Wash. 5/16" I.D.*	59	731-1132		Battery Cover
20	712-0123		Hex Nut 5/16-24 Thd.*	60	712-0113		Wing Nut Plastic 1/4-20 Thd.
21	736-0242		Bell-Wash. .345" I.D. x .88" O.D.	61	731-0954		Steering Bellow (Style 0, 4, 5, 6, 9)
22	16894		Bearing Retainer Brkt.		731-0559		Steering Bellow (Style 8)
23	710-0157		Hex Bolt 5/16-24 x .75" Lg.	62	710-0459		Hex Bolt 3/8-24 x 1.5" Lg. (Gr. 5)
24	710-0793		Ribbed Neck Bolt 3/8-24 x .8" Lg.	64	731-0805		Steering Wheel (3 Spoke)†
25	710-0604		Hex Wash. TT-Tap Scr. 5/16-18 x .62" Lg.		731-0806A		Steering Wheel (4 Spoke)†
26	747-0579		Steering Drag Link (Used w/Non-Adjustable Tie Rod)	65	731-1406		Steering Wheel (3 Spoke)††
	747-0899		Steering Drag Link (Used w/Adjustable Tie Rod)		731-0220		Steering Wheel Cap (Round)
27	16896B	N	Pivot Bar Side Plate—R.H.	66	712-0237		Steering Wheel Cap (Sq.—MTD)
28	16897B	N	Pivot Bar Side Plate—L.H.	67	731-1460		Steering Wheel Cap (Square—No Logo)
29	710-0538		Hex Bolt 5/16-18 x .62" Lg.	68	712-0237		Hex L-Nut 5/16-24 Thd.
30	683-0061		Steering Arm	69	17359B		Lower Frame
31	738-0777		Deck Connecting Rod	70	731-1049		Pivot Bar End Cap (Optional)
32	738-0775		Pivot Bar Shld. Bolt 3/8-16 x 5/8" Lg.	71	737-0280		Grease Fitting (Optional)
33	731-0484A		Cap		714-0149B		Internal Cotter Pin
34	714-0121		Cotter Pin 5/32" Dia.		731-0484A		Hub Cap
35	736-0316		Flat Washer		734-1615		Spoked Hub Cap (Gray—Opt.)
36	741-0523		Flange Brg. .757" I.D.	72	734-1614		Spoked Hub Cap (Beige—Opt.)
37	747-0721		Tie Rod 20.25" Lg. (Adjustable)		734-1788		Spoked Hub Cap (Yellow—Opt.)
	747-0862		Tie Rod 21.83" Lg. (Non-Adjustable)	73	727-0425A		Spring Clip (Optional)
38	16843		Pivot Bar Assy.	74	710-0837		Oval Hd. Cr.—Sunk Scr. #10 x 5/8" Lg. (Used on Style 8)
39	16889		Pivot Bar Support Brkt.—Front	75	741-0356		Flange Brg. .89" I.D. x 1.36" O.D. (Used on Style 8)
40	16890		Pivot Bar Support Brkt.—Rear	76	**		Air Valve
41	736-0188		Fl-Wash. .76" I.D. x 1.49" O.D.	77	710-0776A		Hex AB-Tap Scr. 1/4 x .62" Lg.
42	16915		Front Axle Ass'y.—L.H.	78	712-0446		Hex Jam L-Nut 3/8-24 Thd.
				79	731-0955		Steering Wheel Insert (Optional)
					**		Grease Fitting

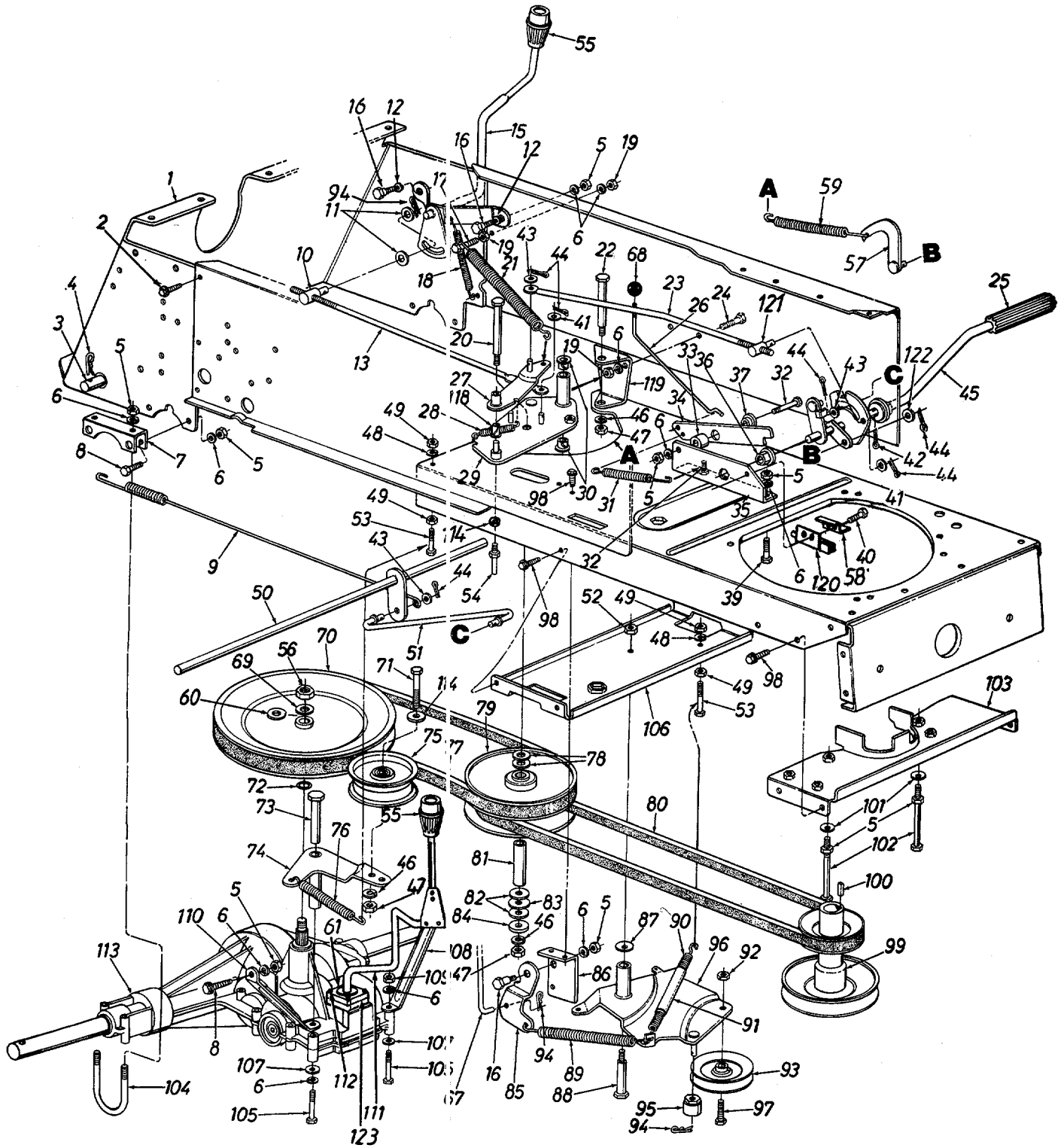
† Uses Round Steering Wheel Cap
 †† Uses Square Steering Wheel Cap



**FRONT WHEEL CHART

Description	16" x 6.5" Round Shoulder	16" x 6.5" Square Shoulder
Wheel Ass'y. Comp.	734-1500A	634-0084
Tire Only	734-0275	734-1727
Rim Only	634-0067	634-0067
Bearing	741-0516	741-0516
Air Valve	734-0255	734-0255
Grease Fitting	737-0280	737-0280

Models 820 thru 829; 840 thru 849

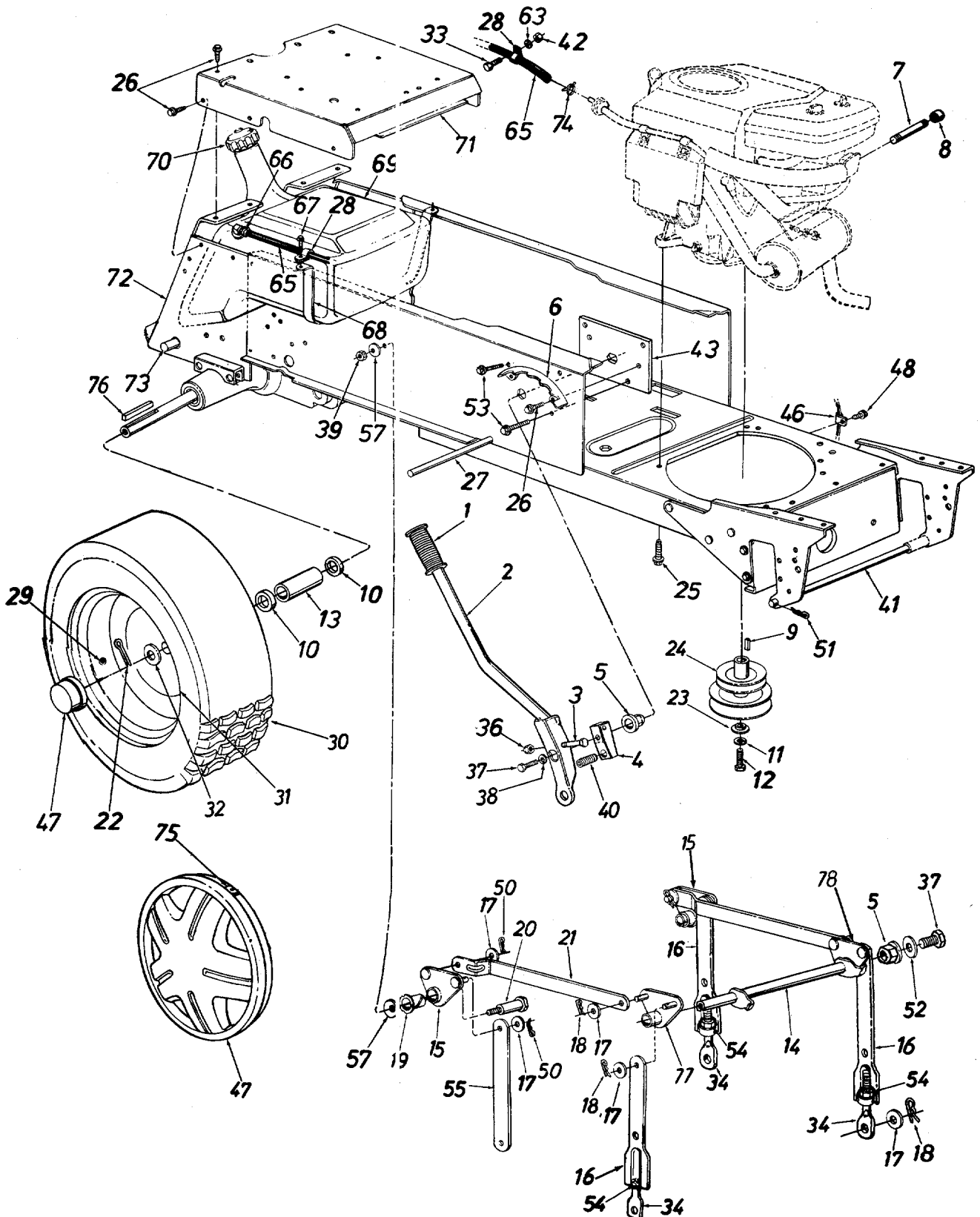


Models 820 thru 829; 840 thru 849

PARTS LIST FOR 800 SERIES GARDEN TRACTORS

REF. NO.	PART NO.	CODE	DESCRIPTION	REF. NO.	PART NO.	CODE	DESCRIPTION
1	17343		Hitch Plate	59	732-0698		Ext. Spring 5.2" Lg.
2	710-0726		Hex AB-Tap Scr. 5/16" x .75"	60	736-0156		FI-Wash. .635" I.D. x 1.12" O.D.
3	738-0482		Hitch Rod	61	718-0256		Shift Snout
4	714-0147		Hitch Pin Clip	67	—		Deck Control Rod (Refer to Style Pages)
5	712-0267		Hex Nut 5/16-18 Thd.*				Ball Knob Brake
6	736-0119		L-Wash. 5/16" I.D.*	68	720-0166		Bell-Wash. 9/16" I.D. x 1.25"
7	17340		Transaxle Bracket	69	736-0427		V-Pulley 91/4" O.D.
8	710-3008		Hex Bolt 5/16-18 x .75" Lg. (Gr. 5)	70	756-0534		Hex Bolt 3/8-24 x 1.75" Lg.
9	732-0601		Brake Extension Spring	71	710-0539		Wire Ring
10	711-0723A		Adjustment Ferrule 3/8-24 Thd.	72	732-0614		Shld. Bolt 5/16-24 Thd.
11	736-0267		FI-Wash. .385" I.D. x .87"	73	738-0769		Idler Brkt. Ass'y.
12	736-0141		Spr. Wash. .445" I.D. x .75" O.D.	74	16904		Flat Idler 3.5" O.D.
13	747-0729		Speed Control Link (Rear)	75	756-0542		Extension Spring 6.12" Lg.
14	736-0192		FI-Wash. .531" I.D. x .94"	76	732-0384		V-Belt
15	647-0011		Speed Selector Lever Ass'y.	77	754-0362		Teflon Washer 1.20" O.D.
16	738-0296		Shld. Bolt .437" Dia. x .162"	78	736-0414		Variable Speed Pulley 6" Dia.
17	710-0672		Hex Bolt 5/16-24 x 1.25" Lg.	79	717-0945		V-Belt
18	732-0429A		Extension Spring 3.9" Lg.	80	754-0358		Pivot Bushing
19	712-3057		Hex Nut 5/16-24 Thd. (Gr. 5)	81	738-0778		FI-Wash. .56" I.D. x 1.0" O.D.
20	710-0620		Hex Bolt 3/8-24 x 4.5" Lg.	82	736-0355		Thrust Brg. .56" I.D. x 1.25"
21	732-0603		Extension Spring 11" Lg.	83	741-0405		Retainer Cup
22	738-0779		Shld. Bolt .625" Dia. x 3.5" Lg.	84	17485		Deck Control Pivot Brkt.
23	747-0726		Speed Control Link (Front)	85	13887		Parking Brake Mtg. Brkt.
24	710-0157		Hex Bolt 5/16-24 x .75" Lg.	86	13833		Bell-Wash. .38" I.D. x .88" O.D.
25	735-0196		Foot Pad	87	736-0105		Shld. Bolt .498" Dia. x 2.05"
26	747-0722		Parking Brake Link	88	738-0129		Extension Spring 6.12" Lg.
27	17914		Variable Speed Torque Brkt. Ass'y.	89	732-0478		Extension Spring 6.37" Lg.
28	732-0568		Extension Spring 2.59" Lg.	90	732-0308		Convuluted Conduit 4" Lg.
29	17908		Pulley Plate Ass'y.	91	731-0483		Hex Cent. L-Nut 3/8-24 Thd.
30	741-0495		Flanged Brg. .630" I.D.	92	712-0214		V-Belt Idler
31	732-0395		Extension Spring 2.51" Lg.	93	756-0293A		Internal Cotter Pin
32	710-0528		Hex Bolt 5/16-18 x 1.25" Lg.*	94	714-0104		Spacer
33	750-0214		Spacer .34" I.D. x .88"	95	748-0278		Idler Brkt. Deck Ass'y.
34	16980		Brake Lockout Bracket	96	14076A		Hex Bolt 3/8-24 x 1.5" Lg.
35	16924A		Clutch Ass'y. Mtg. Bracket	97	710-0459		Hex TT-Tap Scr. 1/4-20 x .5"
36	741-0225		Hex Flange Brg. .634" I.D.	98	710-0599		Engine Pulley
37	748-0234		Shld. Spacer .5" Dia.	99	756-0531A		Sq. Key 1/4 x 1.5" Lg.
38	736-0187		FI-Wash. .64" I.D. x 1.24"	100	714-0118		Bell-Wash. .345" I.D. x .88"
39	710-0118		Hex Bolt 5/16-18 x .75" Lg.*	101	736-0242		Hex Bolt 5/16-18 x 5.25" Lg.
40	710-0436		Hex B-Tap Scr. #10 x 5/8 Lg.	102	710-0833		Belt Keeper Brkt. Ass'y.
41	736-0185		FI-Wash. .406" I.D. x .75" O.D.	103	17358D		U-Bolt
42	714-0115		Cotter Pin 1/8" Dia.	104	711-0829		Hex Bolt 5/16-24 x 2.25" Lg.
43	736-0275		FI-Wash. .34" I.D. x .68" O.D.	105	710-0593		Deck Idler Support Brkt.
44	714-0111		Cotter Pin 3/32" Dia.	106	16888A		FI-Wash. .344" I.D. x .62" O.D.
45	17910		Foot Pedal Ass'y.	107	736-0264		Front Trans. Support Brkt.—L.H.
46	736-0169		L-Wash. 3/8" I.D.*	108	16979		Hex Nut 5/16-24 Thd.*
47	712-0241		Hex Nut 3/8-24 Thd.	109	712-0123		Front Trans. Support Brkt.—R.H.
48	736-0329		L-Wash. 1/4" I.D.*	110	16978		Shift Lever Ass'y. Complete
49	712-0287		Hex Nut 1/4-20 Thd.*	111	618-0155		Hex Flange Bolt 1/4-20 Thd.
50	17349		Brake Link Bracket	112	710-0886		2-Speed Transmission Comp.
51	747-0724		Front Brake Rod Link	113	618-0156		FI-Wash. 3/8" I.D. x 1.0" O.D.
52	712-0375		Hex Cent. L-Nut 3/8-16 Thd.	114	736-0258		Nyliner Flanged Brg.
53	710-0501		Hex Bolt 1/4-20 x 2.0" Lg.	118	741-0419		Variable Speed Support Brkt.
54	711-0828		Belt Guard Pin	119	17180		Safety Switch (Clutch)
55	720-0218		Shift Knob	120	725-1657		Adjustment Ferrule 3/8-24 Thd.
56	712-3035		Hex Jam Nut 9/16-18 Thd.	121	711-0832		FI-Wash. .344" I.D. x .62" O.D.
57	17912		Foot Pedal Brkt. Ass'y.	122	736-0204		O-Ring (Not Shown)
58	17962		Switch Plate	123	721-3033		

Models 820 thru 829; 840 thru 849



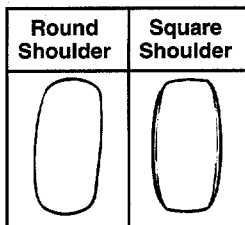
Models 820 thru 829; 840 thru 849

PARTS LIST FOR 800 SERIES GARDEN TRACTORS

REF. NO.	PART NO.	CODE	DESCRIPTION	REF. NO.	PART NO.	CODE	DESCRIPTION
1	720-0233		Grip	37	710-0237		Hex Bolt 5/16-24 x .62" Lg.*
2	17282		Lift Handle Ass'y.	38	736-0119		L-Wash. 5/16" I.D.*
3	710-0442		Hex Bolt 5/16-18 x 1.5" Lg.*	39	712-0181		Hex Top L-Nut 3/8-16 Thd.
4	748-0274A		Lift Shaft Drive	40	732-0369		Compression Spring
5	741-0225		Plastic Hex Brg. 5/8" I.D.	41	738-0777		Deck Connecting Rod
6	14231		Index Brkt. Deck Lift	42	712-0287		Hex Nut 1/4-20 Thd.*
7	737-0164		Pipe Nipple 3/8-18 Npt.	43	14170		Index Brkt. Reinforcement Plate
8	737-0143		Pipe Cap 3/8-18 Npt.	46	726-0273		Mounting Clamp
9	714-0118		Sq. Key 1/4" x 1/4" x 1.50" Lg.	47	731-0556		Hub Cap
10	736-0163		Fl-Wash. 1.03" I.D. x 1.62" O.D.		734-1617		Spoked Hub Cap (Gray— Optional)
11	736-0171		L-Wash. 7/16" I.D.		734-1789		Spoked Hub Cap (Yellow— Optional)
12	710-0757		Hex Scr. 7/16-20 x 1.50" Lg.				
13	750-0762		Spacer 1.0" I.D. x 1.25" O.D.				
14	683-0101	N	Lift Shaft Ass'y.	48	710-0599		Hex Wash. Hd. TT-Tap Scr. 1/4-20 x .5" Lg.
15	13895		Lift Pivot Brkt. Ass'y.				
16	17303		Adj. Deck Lift Link	50	714-0111		Cotter Pin .09 Dia. x 1.0" Lg.
17	736-0192		Fl-Wash. 1/2" I.D. x 1.00" O.D. x .090"	51	714-0149B		Int. Cotter Pin
				52	736-0231		Flat Wash. .34" I.D. x 1.12" O.D. x .125"
18	714-0101		Hairpin Cotter				
19	741-0591		Flange Brg. 5/8" I.D. x .88" Lg.	53	710-0600		Hex Wash. Hd. AB-Tap Scr. 5/16-24 x .5" Lg.
20	738-0445		Shld. Bolt 5/8" Dia. x .96" Lg. 3/8-16	54	712-0206		Hex Nut 1/2-13 Thd.
				55	14399		Deck Link
21	13790		Connecting Link	56	736-0264		Fl-Wash. .344" I.D.
22	714-0142		Cotter Pin 3/16" Dia. x 1.5" Lg.	57	736-0219		Bell-Wash. .4" I.D. x 1.13" O.D.
23	736-0322		Flat Wash. .44" I.D. x 1.25" O.D. x .17"	60	710-0118		Hex Bolt 5/16-18 x .75" Lg.*
				63	736-0329		L-Wash. 1/4" I.D.*
24	756-0531A		Two-Step Engine Pulley	65	751-0535-46		Fuel Line 46" Lg.
25	710-0502A		Hex Wash. Hd. Scr. 3/8-16 x 1.25" Lg.	66	726-0205		Hose Clamp
				67	710-0776A		Hex AB-Tap Scr. 1/4 x .62" Lg.
26	710-0726		Hex Thd. Rolling Scr. 5/16-18 x .75" Lg.	68	17424		Fuel Tank Strap
				69	751-0566		Gas Tank
27	738-0435		Running Board Rod	70	751-0531B		Gas Gauge
28	726-0272		Clamp	71	16848C		Seat Plate
29	**		Air Valve	72	17343		Hitch Plate
30	**		Rear Wheel Ass'y. Comp.	73	738-0482		Hitch Rod
	**		Tire Only	74	726-0272		Hose Clamp
31	**		Rear Wheel Rim Only	75	727-0425A		Spring Clip (Optional)
32	736-0345		Flat Washer	76	714-0120		Sq. Key 1/4" x 3" Lg.
33	710-0258		Hex Bolt 1/4-20 x .62" Lg.	77	683-0098	N	Pivot Brkt. Ass'y.—R.H.
34	711-0817		Eye Bolt Adj. Link 1/2-13 Thd.	78	683-0097	N	Pivot Brkt. Ass'y.—L.H.
36	712-0158		Hex Cent. L-Nut 5/16-18 Thd.				

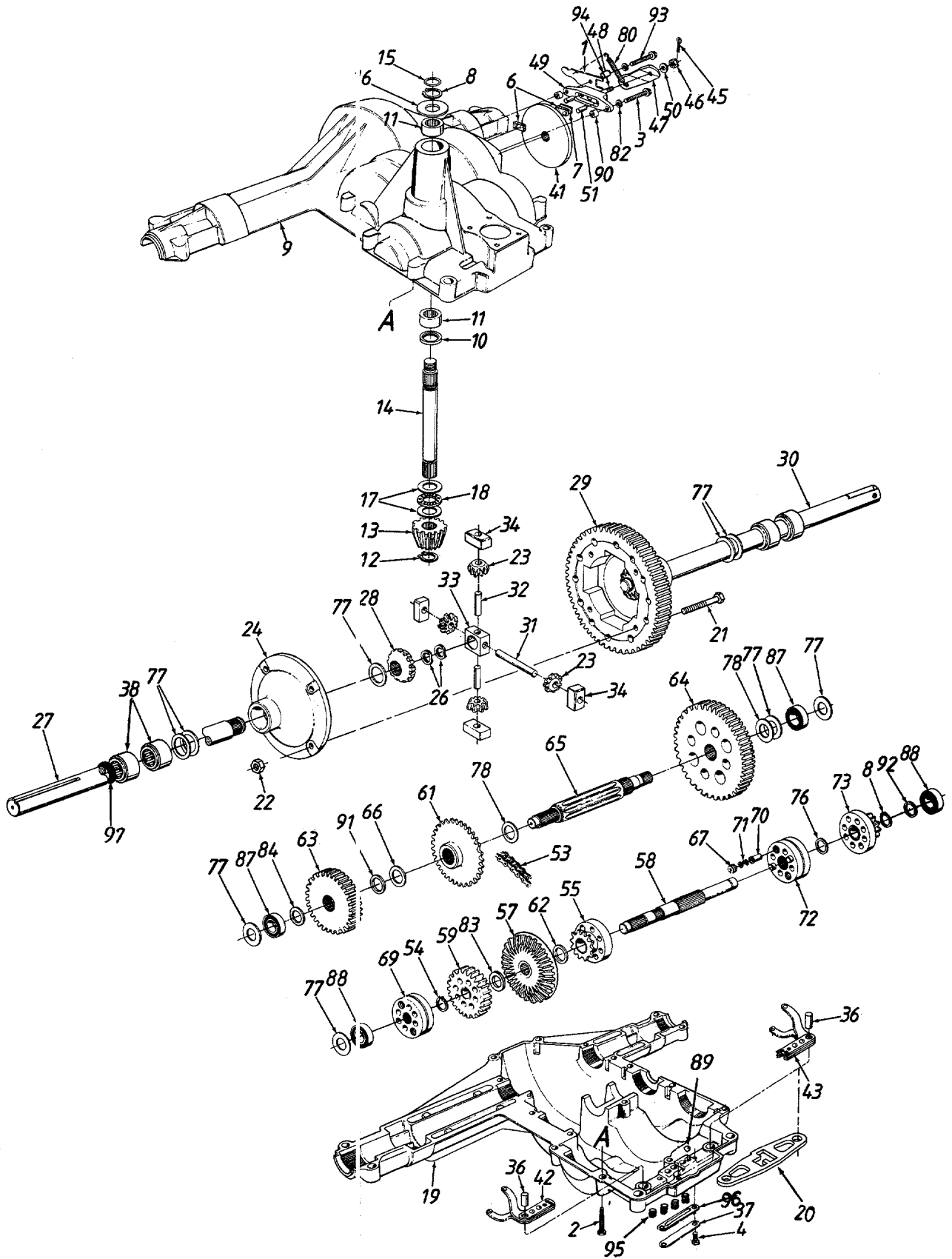
*For faster service obtain standard nuts, bolts and washers locally.
If these items cannot be obtained locally, order by part number
and size as shown on parts list.

**REAR WHEEL CHART



Description	23" x 9.5" Round Shoulder	23" x 9.5" Square Shoulder
	Wheel Ass'y. Comp.	734-1005A
Tire Only	734-0322	734-1728
Rim Only	734-1015	734-1015
Air Valve	734-0255	734-0255

Models 820 thru 829; 840 thru 849



Models 820 thru 829; 840 thru 849

PARTS LIST FOR MODEL 618-0156 TRANSAXLE

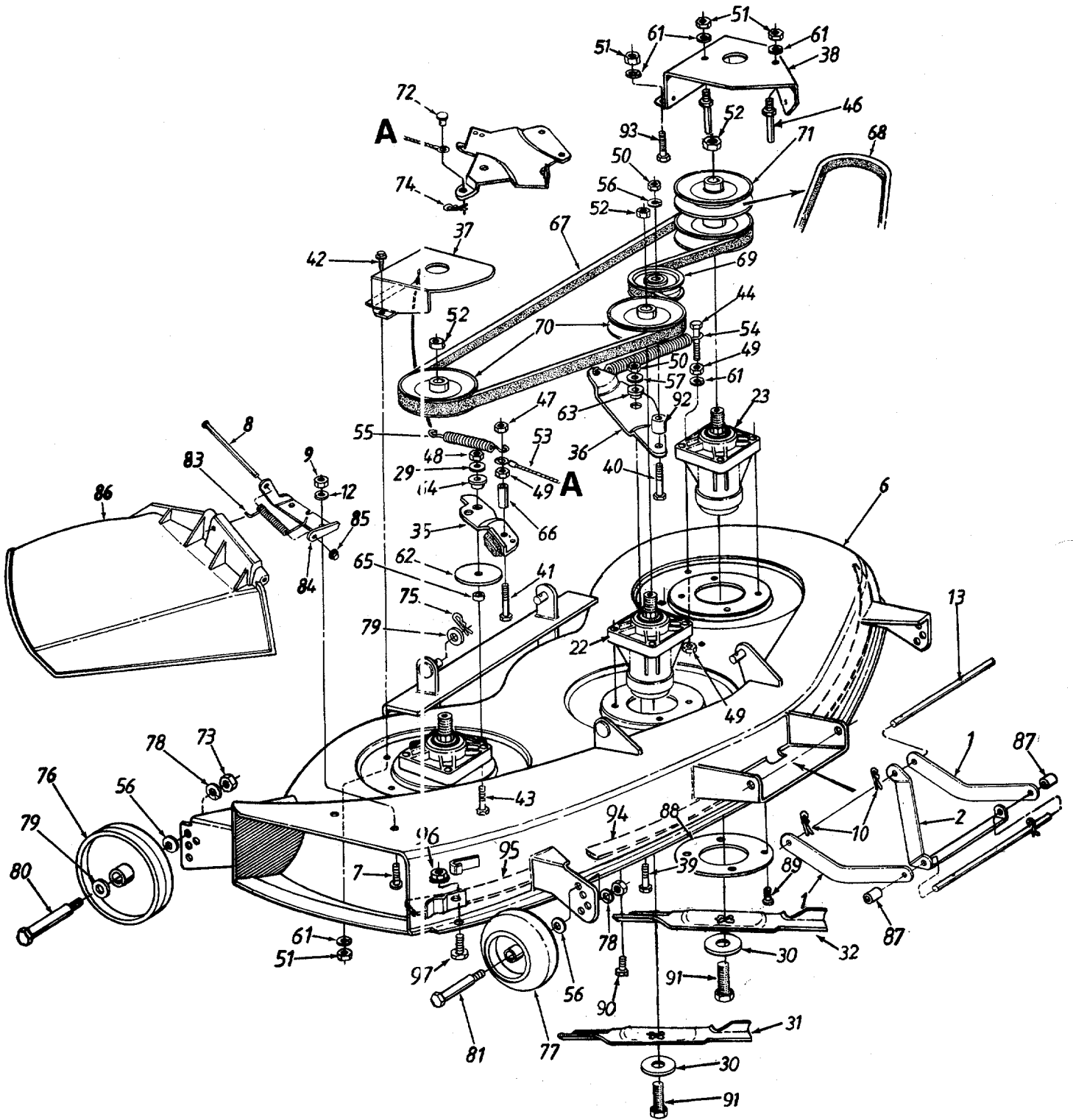
REF. NO.	PART NO.	CODE	DESCRIPTION	REF. NO.	PART NO.	CODE	DESCRIPTION
1	17434A		Brake Return Bracket	49	717-1179		Brake Yoke
2	710-0809		Hex Bolt 1/4-20 x 1.25" Lg.	50	736-0371		FI-Wash. 11/32" I.D. x 7/8" O.D.
3	710-3201		Hex Bolt 1/4-20 x 1.5" Lg. (Gr. 5)	51	741-0343		Brake Actuating Pin
4	710-0599		Hex Wash. Tap Scr. 1/4-20 x .5" Lg.	53	713-0326		#420 Chain 1/2 Pitch x 28 Links
6	717-0678		Brake Puck	54	716-0133		Retainer Ring
7	717-0682		Puck Plate	55	717-1141		Reverse Sprocket Ass'y.
8	716-0171		Retainer Ring	57	717-1157		Bevel Gear 47T
9	619-0013		Upper Housing	58	711-0860		Drive Shaft
10	721-0253		Oil Seal	59	717-1174		Spur Gear Ass'y.
11	741-0525		Needle Brg. 5/8" I.D. x 7/8" O.D.	61	717-1182		Sprocket 22T
12	716-0114		Snap Ring	62	736-0421		FI-Wash. .81" I.D. x 1.18" O.D.
13	717-1133		Input Pinion 15T	63	717-1155		Spur Gear 31T
14	717-1134		Input Shaft	64	717-1156		Spur Gear 45T
15	732-0614		Wire Ring	65	717-1158		Output Shaft 9T
17	736-0419		Thrust Washer	66	717-1172		Spacer
18	741-0469		Thrust Bearing	67	718-0183		Shift Spring Plug
19	717-1161		Lower Housing	69	717-1167B		Forward Shift Collar
20	718-0258		Lockout Plate	70	717-1184		Drive Pin
21	710-0151		Hex Bolt 3/8-24 x 2.0" Lg.*	71	732-0590A		Drive Spring
22	712-3054		Hex L-Nut 3/8-24 Thd. (Gr. 5)	72	717-1168B		Creeper Shift Collar
23	717-1120		Differential Gear 10T	73	717-1193		Creeper Collar Plate Ass'y.
24	717-1147		Differential Housing Cover Ass'y.	76	736-0353		FI-Wash. .65" I.D. x .97" O.D.
26	716-0172		Retainer Ring	77	***		FI-Wash. (See Below)
27	717-1112		Axle R.H.	78	736-0424		FI-Wash. 1.0" I.D. x 1.56" O.D.
28	717-1119		Differential Gear 14T	80	732-0545		Ext. Spring 1.14" Lg.
29	717-1159		Differential Bull Gear 60T	82	736-0329		L-Wash. 1/4" I.D.*
30	717-1111		Axle L.H.	83	736-0349		FI-Wash. 5/8" I.D. x 1.0" O.D.
31	717-1173		Cross Shaft	84	736-0422		FI-Wash. .68" x 1.12"
32	717-1178		Cross Shaft—Special	87	741-0124		Ball Brg. .669" I.D.
33	717-1180		Differential Pinion Block	88	741-0524		Ball Bearing
34	717-1190		Differential Thrust Block	90	750-0555		Spacer .254" I.D. x .5" O.D.
36	717-1138		Shift Pin	91	736-0333		FI-Wash. .69" I.D. x 1.06" O.D.
37	717-1139		Spring Plate	92	****		FI-Wash. (See Below)
38	741-1143		Axle Bearing Ass'y.	93	710-1225		Hex Wash Hd. Patch Bolt 1/4-20 x 2-1/4" Lg.
41	717-1177		Brake Disc	94	750-0893		Spacer .256" I.D. x .75" O.D.
42	717-1185		Shift Arm Ass'y.—R.H.	95	732-0496		Detent Spring
43	717-1186		Shift Arm Ass'y.—L.H.	96	717-1148		Spring Plate Shim
45	714-0111		Cotter Pin 3/32" Dia.	97	721-0258		Seal
46	712-0335		Castle Nut 5/16-24 Thd.	—	737-0148		Shell Darina Grease 14 oz. Tube (32 oz. Req'd.)
47	717-0700		Brake Actuating Arm				
48	717-0796		Sq. Hd. Bolt 5/16-24 Thd.				

** Ref. No. 16 736-0335 FI-Wash. 5/8" I.D. x 1.25" O.D. x .060" Thk.
736-0336 FI-Wash. 5/8" I.D. x 1.0" O.D. x .030" Thk.
736-0337 FI-Wash. 5/8" I.D. x 1.0" O.D. x .040" Thk.

*** Ref. No. 77 736-0423 FI-Wash. 1" I.D. x 1.56" O.D. x .010" Thk.
736-0431 FI-Wash. 1" I.D. x 1.56" O.D. x .015" Thk.
736-0424 FI-Wash. 1" I.D. x 1.56" O.D. x .020" Thk.
736-0420 FI-Wash. 1" I.D. x 1.56" O.D. x .040" Thk.

**** Ref. No. 92 736-0349 FI-Wash. 5/8" I.D. x 1.0" O.D. x .020" Thk.
736-0336 FI-Wash. 5/8" I.D. x 1.0" O.D. x .030" Thk.
736-0337 FI-Wash. 5/8" I.D. x 1.0" O.D. x .040" Thk.

Deck "H"



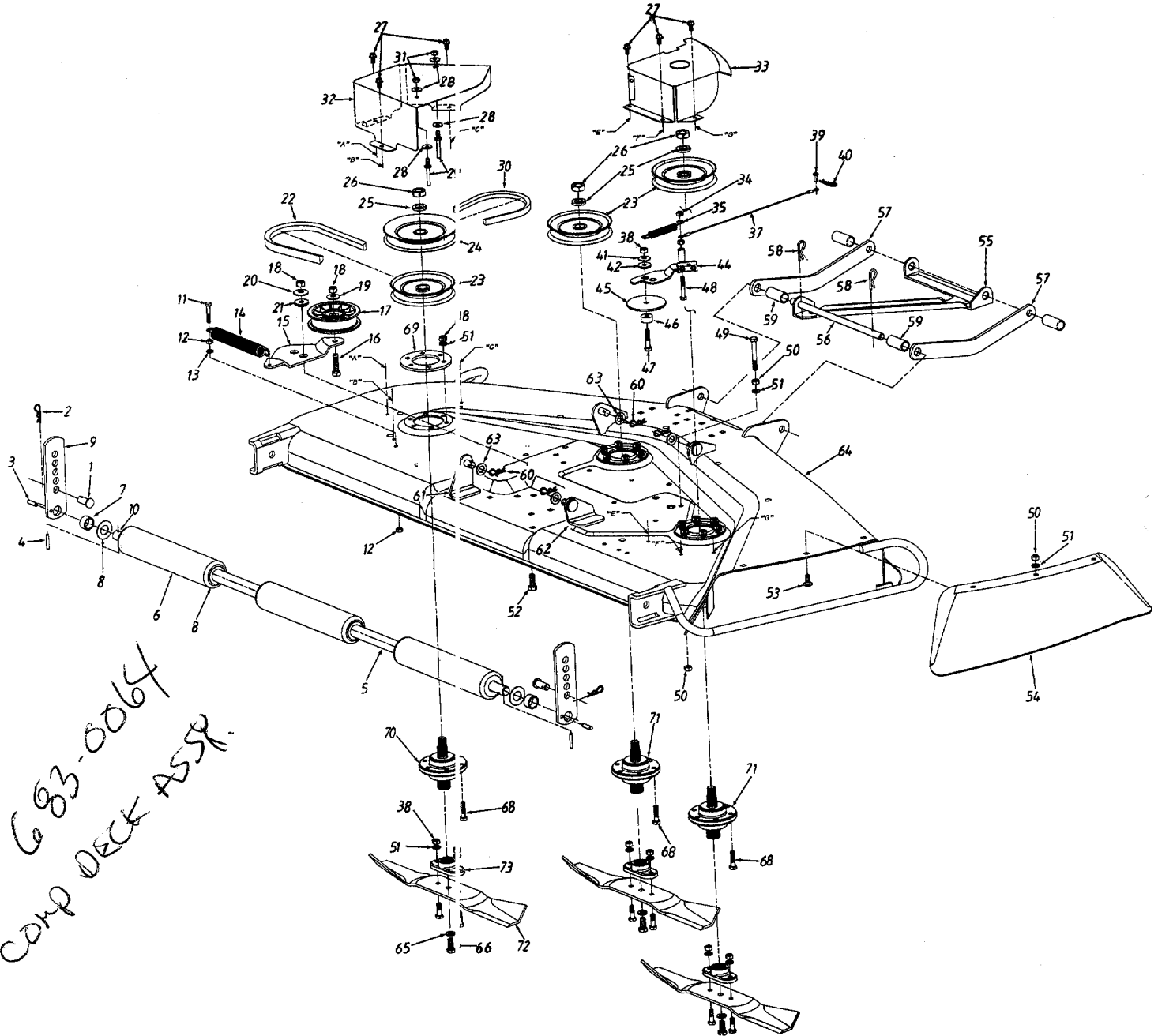
Deck "H"

PARTS LIST FOR 46" MOWING DECK

REF. NO.	PART NO.	CODE	DESCRIPTION	REF. NO.	PART NO.	CODE	DESCRIPTION
1	17347		Deck Stabilizer	56	736-0105		Bell-Wash. .38" I.D. x .88" O.D.
2	17264		Diagonal Brace	57	736-0331		Bell-Wash. .39" I.D. x 1.13" O.D.
6	683-0052		46" Deck Ass'y. Comp.	61	736-0329		L-Wash. 1/4" I.D.*
	683-0053		46" Deck Ass'y. Comp. (Style 9)	62	736-0416		FI-Wash. 5/16" I.D. x 3" O.D.†
	683-0054		46" Deck Ass'y. Comp. (Electric Clutch)	63	738-0347		Shld. Spacer .625" I.D.
7	710-0258		Hex Bolt 1/4-20 x .62" Lg.	64	748-0234		Shld. Spacer†
8	711-0792		Hinge Pin	65	750-0214		Spacer .34" I.D.†
9	712-0287		Hex Nut 1/4-20 Thd.*	66	750-0470		Spacer .326" I.D.†
10	714-0149B		Hairpin Clip	67	754-0349		V-Belt
12	736-0270		Bell-Wash. 1/4" I.D.	68	754-0350		V-Belt
13	738-0392		Deck Connecting Rod	69	756-0627		FI-Idler Pulley 3.5" O.D.
22	618-0111		Spindle Ass'y. (R.H. & Center)	70	756-0969		Pulley 5.0" Dia.
23	618-0112		Spindle Ass'y. (L.H.)	71	756-0977		Double Pulley 5.0" Dia.
29	736-0119		Lock Wash. 5/16" I.D.*	72	711-0701		Clevis Pin 1/4" Dia. x .53" Lg.†
30	736-0510		Bell-Wash. .47" I.D. x 1.5"	73	712-0798		Hex Nut 3/8-16 Thd.
31	742-0543		High Lift Blade 14.88" Lg. (Middle)	74	714-0104		Intern. Cotter Pin 5/16" Dia.†
32	742-0542		High Lift Blade 16.28" Lg. (R.H. & L.H.)	75	714-0145		Intern. Cotter Pin 3/8 Dia.
35	17116		Deck Brake Brkt. Ass'y.†	76	734-0973		Deck Wheel 5" Dia.
36	17213		Idler Bracket	77	734-3058B		Deck Wheel w/Insert 5" Dia.
37	17258A		Belt Cover Brkt.—R.H.	78	736-0169		L-Wash. 3/8" I.D.*
38	783-0066		Belt Cover—L.H.	79	736-0192		FI-Wash. .531" I.D.
39	710-0152		Hex Bolt 3/8-24 x 1.0" Lg.	80	738-0533		Shoulder Bolt .498" Dia. x 1.64" Lg.
40	710-0151		Hex Bolt 3/8-24 x 2" Lg.	81	738-3056		Shoulder Bolt
41	710-0559		Hex Bolt 1/4-28 x 1.75" Lg.†	83	732-0602		Torsion Spring
42	710-0599		Hex Wash. Hd. Tap-Scr. 1/4-20 x .5" Lg.	84	703-1693		Hinge Mtg. Brkt.
43	710-0624		Hex Bolt 5/16-24 x 1.5" Lg. (Grade 5)†	85	726-0106		Push Nut
44	710-0698		Hex Bolt 1/4-28 x 1.5" Lg.	86	731-1032		Chute Ass'y. Comp. (Incl. Ref. 8, 83, 84, 85, 86)
46	711-0993		Belt Guard Pin 1/4" Dia.	87	750-0757		Spacer 5/8" I.D. x 7/8" O.D.
47	712-0117		Hex Cent. L-Nut 1/4-28 Thd.†	88	17982		Spindle Reinforcement Plate
48	712-0123		Hex Nut 5/16-24 Thd.†	89	710-1261		Hex Wash. Hd. Scr. 5/16-18 x 1" Lg.
49	712-0138		Hex Nut 1/4-28 Thd.†	90	710-1260		Hex Wash. Hd. Scr. 5/16-18 x .75" Lg.
50	712-0241		Hex Nut 3/8-24 Thd.	91	710-1262		Hex L-Bolt 7/16-20 x 1" Lg.
51	712-0287		Hex Nut 1/4-20 Thd.*	92	711-0242		Spacer .38" I.D.
52	712-0417		Hex Flange L-Nut 5/16-18 Thd.	93	710-0289		Hex Bolt 1/4-20 x .5" Lg.
53	727-0426		Brake Cable Ass'y.†	94	783-0141		Skirt—Center
	727-0445		Brake Cable Ass'y. (Style 9)†	95	783-0142		Skirt—Right Hand
4	732-0594A		Extension Spring 6.17" Lg.	96	712-0271		Hex Sems Nut 1/4-20 Thd.
5	732-0429A		Extension Spring 3.97" Lg.†	97	710-0167		Carriage Bolt 1/4-20 x .5" Lg.

†Not used on electric clutch models.

Deck "P"



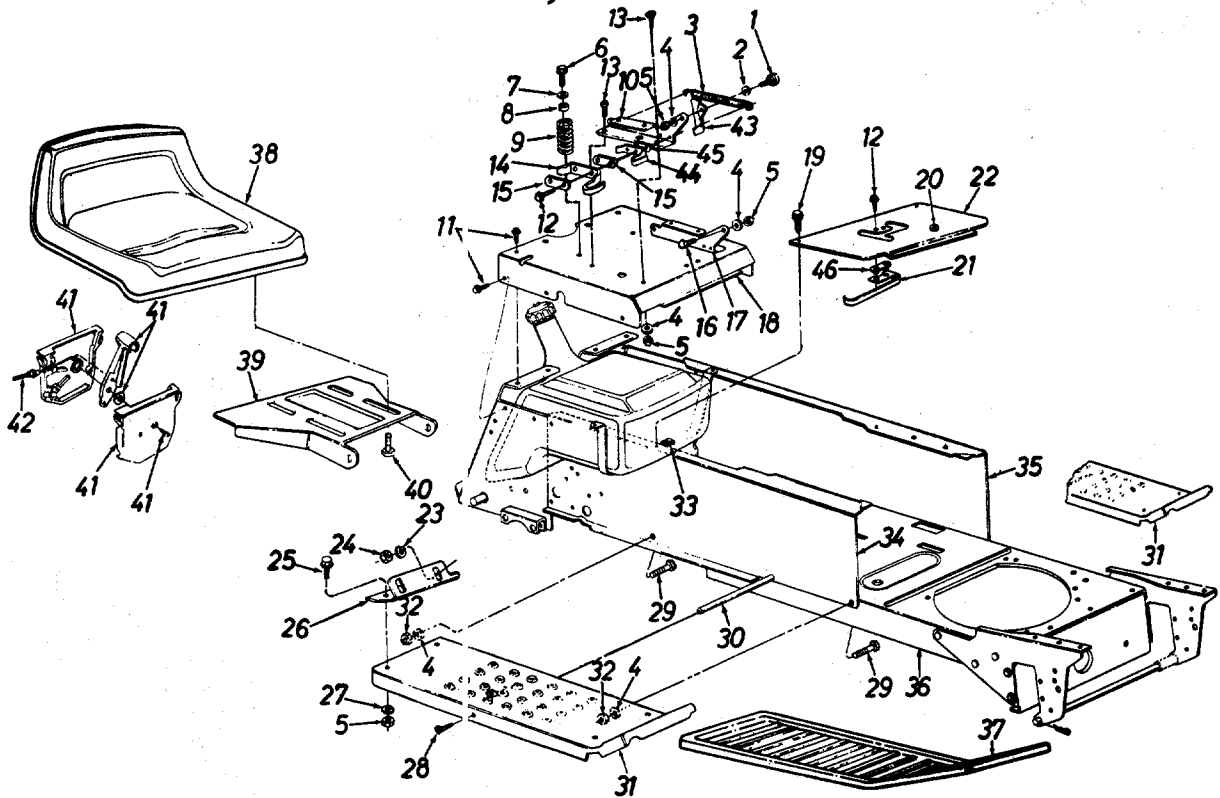
683-0064
COMP DECK ASSY.

Deck "P"

PARTS LIST FOR 50" MOWING DECK

REF. NO.	PART NO.	CODE	DESCRIPTION	REF. NO.	PART NO.	CODE	DESCRIPTION
1	711-0310		Clevis Pin	38	712-0123		Hex Nut 5/16-24 Thd.
2	714-0101		Hairpin Clip	39	711-0701		Clevis Pin
3	715-0108		Spring Pin 1/4" x 1" Lg.	40	714-0104		Hairpin Clip
4	715-0246		Spring Pin 3/16" x 1-1/4" Lg.	41	736-0425		Bell-Wash. .325" I.D.
5	750-0288		Spacer .82" I.D.	42	748-0234		Shld. Spacer
6	731-0335		Deck Roller	43	750-0470		Spacer .96" Lg.
7	750-0212		Spacer .75" I.D.	44	17116		Brake Ass'y.
8	736-0188		Fl-Wash. .76" I.D. x 1.5" O.D.	45	736-0416		Fl-Wash. 5/16" I.D. x .3" O.D.
9	12650		Height Adjuster	46	750-0214		Spacer .44" Lg.
10	738-0295		Roller Shaft	47	710-0624		Hex Bolt 5/16-24 x 1.5" Lg. (Gr. 5)
11	710-0698		Hex Bolt 1/4-28 x 1.5" Lg. (Gr. 5)	48	710-0559		Hex Bolt 1/4-28 x 1.75" Lg. (Gr. 5)
12	712-0138		Hex Nut 1/4-28 Thd.	49	710-0378		Hex Bolt 5/16-18 x 2.5" Lg.
13	736-0329		L-Wash. 1/4" I.D.	50	712-0267		Hex Nut 5/16-18 Thd.*
14	732-0594A		Ext. Spring 7.33" Lg.	51	736-0119		L-Wash. 5/16" I.D.*
15	783-0139		Idler Brkt.	52	710-0152		Hex Bolt 3/8-24 x 1" Lg.
16	710-0459		Hex Bolt 3/8-24 x 1.5" Lg.	53	710-0451		Carr. Bolt 5/16-18 x .75" Lg.
17	756-0627		Idler Pulley	54	12649		Chute Guard
18	712-0241		Hex Nut 3/8-24 Thd.	55	17264		Diagonal Brace
19	736-0105		Bell-Wash. 3/8" I.D.	56	738-0392		Connecting Rod
20	736-0331		Bell-Wash. .39" I.D. x 1.13" O.D.	57	17347		Stabilizer Link
21	738-0347		Shld. Spacer .625" I.D.	58	714-0149B		Hairpin Clip
22	754-0291A		"V"-Belt	59	750-0932		Spacer 1.75" Lg.
23	756-0519		Deck Pulley	60	714-0145		Hairpin Clip
24	756-0604		Upper Deck Pulley	63	736-0192		Fl-Wash. 1/2" I.D. x .93" O.D.
25	736-0158		L-Wash. 5/8" I.D.	64	683-0060		Deck Ass'y.
26	712-0318		Hex Jam Nut 5/8-18 Thd.	65	736-0217		L-Wash. 3/8" I.D.—H.D.
27	710-0599		Hex Wash. Hd. Scr. 1/4-20 x .5" Lg.	66	710-0877		Hex Bolt 3/8-24 x .88" Lg. (Gr. 5)
28	736-0270		Bell-Wash. 1/4" I.D.	68	710-0672		Hex Bolt 5/16-24 x 1-1/4" Lg. (Gr. 5)
29	711-0747		Belt Guard Pin	69	14249A		Spindle Reinforcement Plate
30	754-0364		"V"-Belt	70	618-0119	N	Spindle Ass'y. (L.H.)
31	712-0287		Hex Nut 1/4-20 Thd.	71	618-0118	N	Spindle Ass'y. (R.H. & Center)
32	783-0131		Belt Guard—L.H.	72	742-0171B		Blade
33	783-0130		Belt Guard—R.H.	73	748-0300		Blade Adapter
34	712-0117		Hex L-Nut 1/4-28 Thd.	74	710-0888		Hex Bolt 5/16-24 x 1" Lg.
35	732-0429A		Ext. Spring 3.97" Lg.				
36	712-0138		Hex Nut 1/4-28 Thd.				
37	727-0295		Brake Cable				

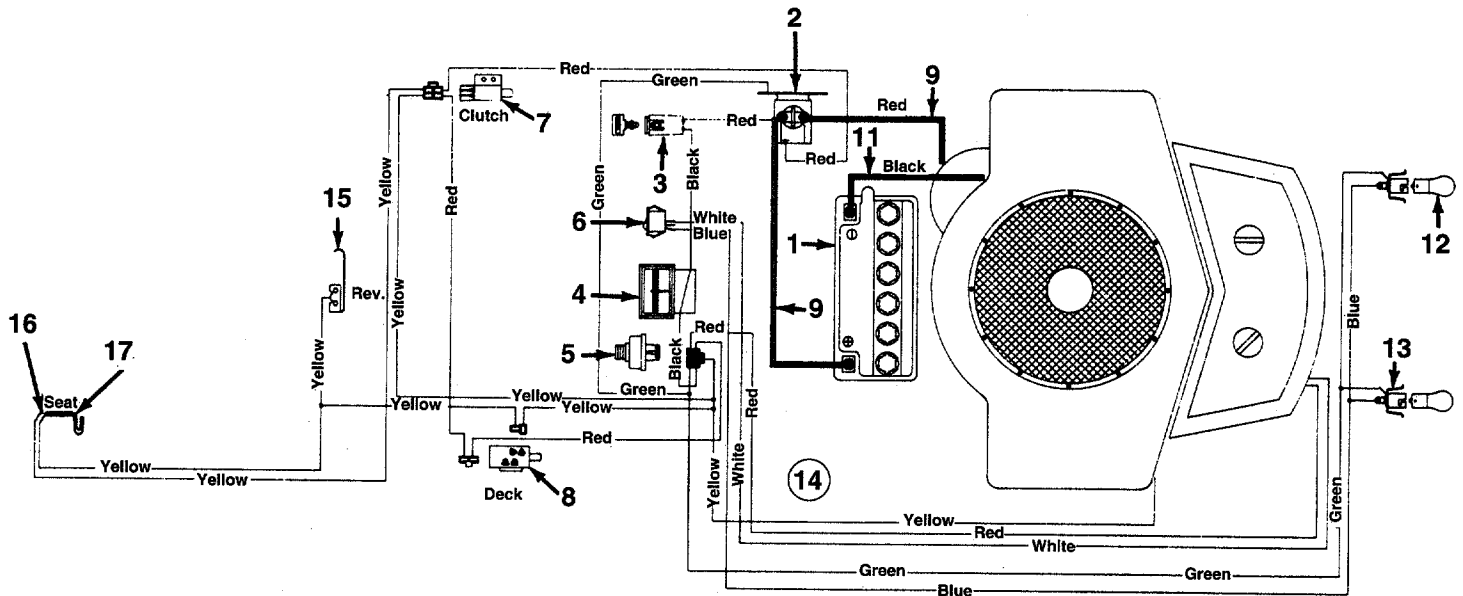
Models 820 thru 829; 840 thru 849



PARTS LIST FOR 800 SERIES GARDEN TRACTORS

REF. NO.	PART NO.	CODE	DESCRIPTION	REF. NO.	PART NO.	CODE	DESCRIPTION
1	738-0296		Shld. Bolt .437" Dia. x .162"	26	15846		Fender Bracket—R.H.
2	736-0141		Spr. Wash. .445" I.D.		15847		Fender Bracket—L.H.
3	732-0581B		Ext. Spring 5.31" Lg.		17406		Fender Bracket—R.H. (Style 4, 6, 9)
4	736-0119		L-Wash. 5/16" I.D.*		17407		Fender Bracket—L.H. (Style 4, 6, 9)
5	712-0267		Hex Nut 5/16-18 Thd.	27	736-0242		Bell-Wash. .345" I.D. x .88" O.D.
6	710-0601		Hex Wash. Hd. Tap Scr. 5/16-18 x .7" Lg.	28	710-0323		Truss Mach. Scr. 5/16-18 x .75" Lg.
7	736-0159		Fl-Wash. .344" I.D.	29	710-1012		Rib Neck Bolt 5/16-24 x .75" Lg.
8	722-0160		Bushing	30	738-0435		Running Board Rod
9	732-0588		Compression Spring	31	16922		Running Board—R.H.
10	17702		Seat Pivot Brkt. Support—R.H.		16921		Running Board—L.H.
11	710-0726		Hex Wash. Hd. AB-Tap Scr. 5/16 x .75" Lg.	32	712-0123		Hex Nut 5/16-24 Thd.
12	710-0227		Hex Wash. Hd. AB-Tap Scr. #8 x .5" Lg.	33	726-0139		Speed Nut #10Z
13	710-1228		Torx Hd. AB-Tap Scr. 5/16-18 x .75" Lg.	34	17360A		R.H. Side Frame
14	725-1303		Spring Switch	35	17361B		L.H. Side Frame
15	726-0279		Insulator Plate	36	17359B		Lower Frame
16	738-0155		Shld. Bolt .437" Dia. x .162"	37	731-1052		Rubber Foot Pad (Optional)
17	17701		Seat Pivot Brkt. Support—L.H.	38	757-0345		Seat 8-7/8" High
18	16848C		Seat Plate		757-0338		Seat 10-5/8" High
19	710-0351		Truss Mach. B-Tap Scr. #10 x .5" Lg.		757-0365		Seat 10-5/8" High (Yellow)
20	731-0405		Snap Bushing		757-0350		Seat 14-1/4" High
21	725-1643		Reverse Safety Switch		757-0372		Seat 14-1/4" High (Yellow)
22	—		Shift Cover (Refer to Style Sheet)	39	783-0039		Seat Pivot Bracket
23	736-0329		L-Wash. 1/4" I.D.*	40	710-0623		Hex Tap Scr. 3/8-16 x .75" Lg.
24	712-0287		Hex Nut 1/4-20	41	831-0823A		Throttle Control Box Ass'y.
25	710-0118		Hex Bolt 5/16-18 x .75" Lg.	42	746-0634		Throttle Control Wire 35" Lg.
				43	17239A		Seat Lift Bracket
				44	725-1439		Seat Spring Switch
				45	726-0278		Insulator Boss Plate
				46	726-0320		Insulator Nut Plate

Models 820 thru 829; 840 thru 849



PARTS LIST FOR ELECTRICAL SYSTEM

REF. NO.	PART NO.	CODE	DESCRIPTION	REF. NO.	PART NO.	CODE	DESCRIPTION
1	725-1635		Battery (275 Cold Crank Amps)	12	725-0963		Lamp
2	725-1426		Solenoid	13	725-1649		Socket (Style 0, 5, 6)
3	725-1625		Fuse 7.5 Amp		725-1650		Socket (Style 4, 8, 9)
4	725-0925		Ammeter†	14	629-0114		Wire Harness Used w/Ammeter & Light Switch
5	725-0267		Ignition Switch		629-0112		Wire Harness Used w/o Ammeter & Light Switch
6	725-0634		Light Switch†	15	725-1643		Spring Switch (Reverse)
7	725-1657		Safety Switch (Clutch)	16	725-1303		Spring Switch (Seat)
8	725-0465A		Safety Switch (PTO)	17	725-1439		Spring Switch (Seat)
9	725-0561		Electric Wire 14" Lg.				
11	725-0996		Ground Wire 7.5" Lg.				

†Optional Parts

Free Manuals Download Website

<http://myh66.com>

<http://usermanuals.us>

<http://www.somanuals.com>

<http://www.4manuals.cc>

<http://www.manual-lib.com>

<http://www.404manual.com>

<http://www.luxmanual.com>

<http://aubethermostatmanual.com>

Golf course search by state

<http://golfingnear.com>

Email search by domain

<http://emailbydomain.com>

Auto manuals search

<http://auto.somanuals.com>

TV manuals search

<http://tv.somanuals.com>