

IMPORTANT: READ SAFETY



This sym
means it
UNDERV

MTD LLC P.O. BOX 36

FORM NO. 110
(10/2008)

TABLE OF CONTENTS

Content	Page	Content	Page
Important Safe Operation Practices	3	Making Adjustments	13
Slope Gauge	6	Maintaining Your Lawn Mower	14
Contents of Hardware Pack	7	Off Season Storage	15
Assembling Your Lawn Mower	7	Trouble Shooting	16
Know Your Lawn Mower	11	Illustrated Parts List	18
Operating Your Lawn Mower	12	Warranty	20

FINDING MODEL NUMBER

This Operator's Manual is an important part of your new lawn mower. It will help you assemble, prepare and maintain the unit for best performance. Please read and understand what it says.



Before you start assembling your new equipment, please locate the model plate on the equipment and copy the information from it in the space provided below. A sample model plate is also given below. You can locate the model plate by standing at the operating position and looking down at the rear of the deck. This information will be necessary to use the manufacturer's web site and/or help from the Customer Support Department or an authorized service dealer.



Copy the model number here: _____

Copy the serial number here: _____

CUSTOMER SUPPORT

Please do NOT return the unit to the retailer from where it was purchased, without first contacting Customer Support.

If you have difficulty assembling this product or have any questions regarding the controls, operation or maintenance of this unit, you can seek help from the experts. Choose from the options below:

	<p>Visit mtdproducts.com for many useful suggestions. Click on Customer Support button and you will get the four options reproduced here. Click on the appropriate button and help is immediately available.</p> <div style="display: flex; justify-content: space-between; align-items: center;"> <div style="width: 30%; text-align: center;"> <p><i>The answer you are looking for could be just a mouse click away!</i></p> </div> <div style="width: 30%; border: 1px solid black; padding: 5px;"> <div style="border-bottom: 1px solid black; padding: 2px;"> <p>Find Answers Click here to search our knowledge base. Search by product, keyword, or phrase.</p> </div> <div style="border-bottom: 1px solid black; padding: 2px;"> <p>My Stuff Login to check the status of your questions, modify your inquiries, or update your personal profile.</p> </div> <div style="border-bottom: 1px solid black; padding: 2px;"> <p>Service Locator Need local assistance? Click here to find authorized service centers in your area.</p> </div> <div style="padding: 2px;"> <p>Manuals Online Need a manual and/or parts list? Download literature from recent model years.</p> </div> </div> <div style="width: 30%; text-align: center;"> <p><i>The answer you are looking for could be just a mouse click away!</i></p> </div> </div>
	<p>If you prefer to reach a Customer Support Representative, please call 1-800-800-7310.</p>
	<p>The engine manufacturer is responsible for all engine-related issues with regards to performance, power-rating, specifications, warranty and service. Please refer to the engine manufacturer's Owner's/Operator's Manual, packed separately with your unit, for more information.</p>

16. Home circuit – This mower should be operated on a 15 AMP circuit. If you experience difficulty in starting with a standard 15 AMP fuse or circuit breaker, contact your nearest authorized service facility. Do not use a higher rated fuse or breaker without consulting your power company.
17. Do not abuse the cord by pulling the mower by the cord or yanking it to disconnect it from the receptacle. Keep cord from heat, oil, and sharp edges.
18. Many injuries occur as a result of the mower being pulled over the foot during a fall caused by slipping or tripping. Never operate this machine in bare feet, sandals, slippery or lightweight (e.g. canvas) shoes. Do not hold on to the mower if you are falling; release the handle immediately.
19. Never pull the mower back toward you while you are walking. If you must back the mower away from a wall or obstruction first look down and behind to avoid tripping and then follow these steps:
 - Step back from the mower to fully extend your arms.
 - Be sure you are well balanced with sure footing.
 - Pull the mower back slowly, no more than half way toward you.
 - Repeat these steps as needed.
20. Do not use lawn mower for any job except that for which it is intended. Do not force the lawn mower – Cut grass at a rate, for which the mower is designed, which will not sacrifice the performance or safety of the machine.
21. Do not operate the mower while under the influence of alcohol or drugs.
22. Stay Alert – Do not operate the mower when you are tired. Watch what you are doing. Use common sense.
23. Do not put hands or feet near rotating parts or under the cutting deck. Contact with the blade can amputate hands and feet.
24. Never attempt to make a wheel or cutting height adjustment while the motor is running.
25. Avoid dangerous environments – Never operate the mower in the rain or in wet or damp grass.
26. Mow only in daylight or in good artificial light. Walk, never run.
27. Stop the blade when crossing gravel drives, walks or roads.
28. If the equipment should start to vibrate abnormally, stop the motor and check immediately for the cause. Vibration is generally a warning of trouble.
29. Stop the motor and wait until the blade comes to a complete stop before removing the grass catcher or unclogging the chute. The cutting blade continues to rotate for a few seconds after the motor is shut off. Never place any part of the body in the blade area until you are sure the blade has stopped rotating.
30. Never operate mower without proper trail shield, discharge cover, grass catcher, motor/blade control or other safety protective devices in place and working. Never operate mower with damaged safety devices. Failure to do so can result in personal injury.
31. Only use parts and accessories made for this machine by the manufacturer. Failure to do so can result in personal injury.
32. If situations occur which are not covered in this manual, use care and good judgment. Contact your dealer or telephone 1- 800-800-7310 for assistance and the name of your nearest servicing dealer.

Slope Operation

Slopes are a major factor related to slip and fall accidents which can result in severe injury. Operation on slopes requires extra caution. If you feel uneasy on a slope, do not mow it. For your safety, use the slope gauge included as part of this manual to measure slopes before operating this unit on a sloped or hilly area. If the slope is greater than 15 degrees, do not mow it.

Do:

1. Mow across the face of slopes; never up and down. Exercise extreme caution when changing direction on slopes.
2. Watch for holes, ruts, rocks, hidden objects, or bumps which can cause you to slip or trip. Tall grass can hide obstacles. Remove all objects such as rocks, tree limbs, etc., which could be tripped over or thrown by the blade.
3. Always be sure of your footing. A slip and fall can cause serious personal injury. If you feel you are losing your balance, release the motor/blade control handle immediately, and the blade will stop rotating within 3 seconds.

Do Not:

1. Do not mow near drop-offs, ditches or embankments, you could lose your footing or balance.
2. Do not mow slopes greater than 15 degrees as shown on the slope gauge.
3. Do not mow on wet grass. Unstable footing could cause slipping.

Children

1. Tragic accidents can occur if the operator is not alert to the presence of children. Children are often attracted to the mower and the mowing activity. They do not understand the dangers. Never assume that children will remain where you last saw them.
 - Keep children out of the mowing area and under the watchful care of a responsible adult other than the operator.
 - Be alert and turn mower off if a child enters the area.
 - Before and while moving backwards, look behind and down for small children.
 - Use extreme care when approaching blind corners, doorways, shrubs, trees, or other objects that may obscure your vision of a child who may run into the mower.
2. Never allow children under 14 years old to operate a power mower. Children 14 years old and over should read and understand the operation instructions and safety rules in this manual and should be trained and supervised by a parent.



DOUBLE INSULATED

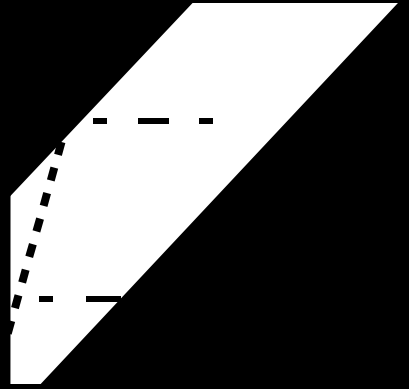
AC ONLY
Ez14048

Volts **120**
Watts **1000**
Hertz **60**



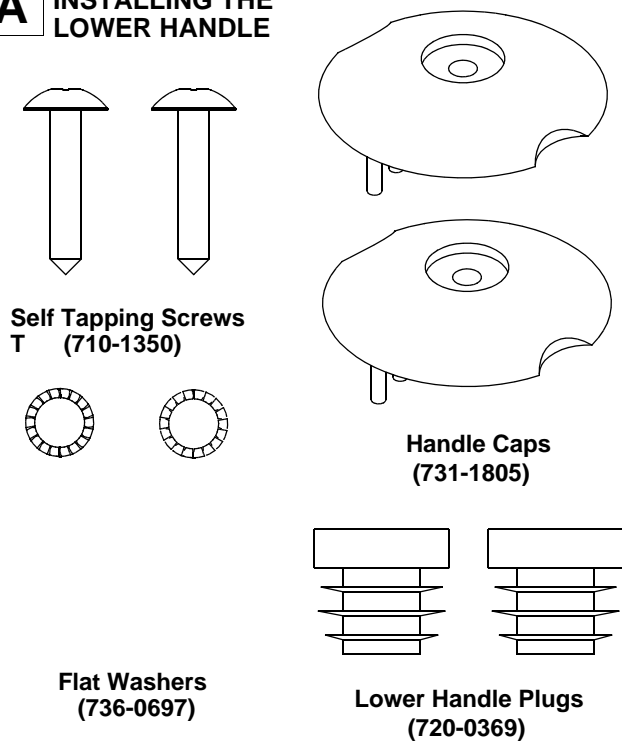

For more information, visit us at www.hilti.com or call 1-800-451-7000. **MADE IN HONG KONG**

erate your lawn mower



SECTION 3: CONTENTS OF HARDWARE PACK

Hardware pack may contain extra items which are not used on your unit. Part numbers are shown in parentheses.

A INSTALLING THE LOWER HANDLE	B INSTALLING THE UPPER HANDLE
 <p>Self Tapping Screws T (710-1350)</p> <p>Flat Washers (736-0697)</p> <p>Handle Caps (731-1805)</p> <p>Lower Handle Plugs (720-0369)</p>	 <p>Hex Bolt (710-1764)</p> <p>Handle Bolt (710-1718)</p> <p>Lock Washers (736-0649)</p> <p>Wire Clips (731-2454)</p> <p>Hex Nuts (712-0690)</p>

SECTION 4: ASSEMBLING YOUR LAWN MOWER

Loose Parts in Carton

- Grass Catcher Assembly.
- Owner's Manual (not shown).
- Hardware Pack.
- Upper and Lower Handle w/ Guide Rod.
- Wheel Assemblies (4)

Tools Required

- Phillips head screwdriver.
- Adjustable wrench, a wrench set or socket set.

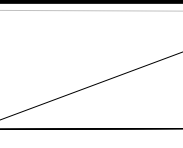
Attaching Wheels

The wheels for your mower will not require tools to install. Notice that there are two large wheel assemblies and two smaller wheel assemblies. The large wheels fit on the rear and the small wheels are for the front of the mower. To install the wheels:

- Rest the mower on its side or place supporting blocks under one side of the mower.
- Refer to Figure 1 and insert the hubcap assembly through the wheel and thread the complete assembly into the desired height adjustment position by hand.

NOTE: *It is recommended to use the highest cutting position initially to avoid scalping of the grass.*

- By putting fingers into the grooves in the hubcap assembly, tighten firmly.
- Repeat this step for all wheels, being certain that all four wheels are in the same height position for an even cut. Refer to Figure 1 for cutting height positions.



Assembling Grass Catcher



WARNING: Never operate the mower without the proper trail shield, discharge cover, grass catcher, blade/motor control or other safety protective devices in place and working. Never operate the mower with damaged safety devices. Failure to do so can result in personal injury.

- Insert the six clips on the underside of the bagger cover into the corresponding attaching slots in the grass bag. Refer to Figure 7.

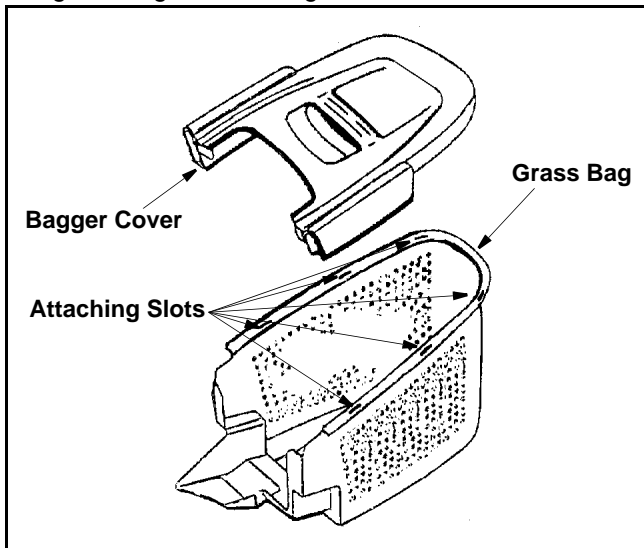


Figure 7

- Press firmly in on the top of the bagger cover in the area of the attaching slots to ensure that the clips are locked into place.

Attaching The Grass Catcher

- Lift the rear discharge door on the back of the mower. Refer to Figure 8.

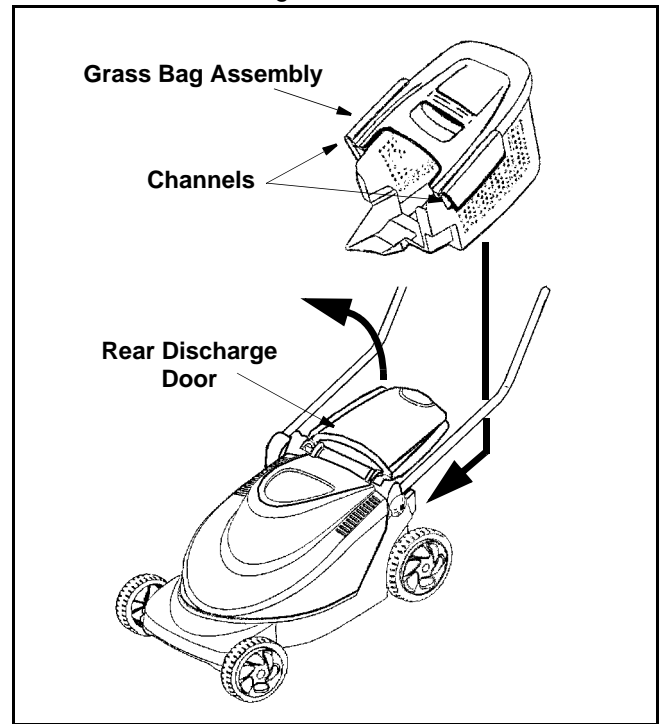


Figure 8

- Place the channels of the grass bag assembly over the lower portion of the lower handle as shown in Figure 8.
- Slide the assembly towards the mower until it rests against the body of the mower.
- Release the rear discharge door.

To remove the grass catcher, lift the rear discharge door on the mower. Lift the grass catcher up and off of the lower handles. Release the rear discharge door.



WARNING: Do not operate this mower with the rear discharge door open, unless the complete grass catcher is properly mounted on the mower.

SECTION 5: KNOW YOUR LAWN MOWER

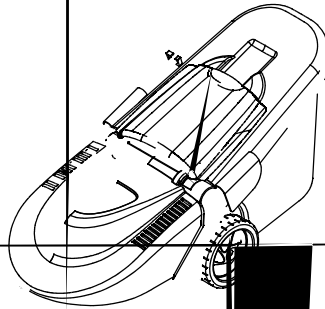


Figure 9

Read this operator's manual and safety rules before operating your lawn mower. Compare the illustration in Figure 9 with your lawn mower to familiarize yourself with the location of various parts and controls. Save this manual for future reference.

WARNING: The operation of any lawn mower can result in foreign objects being thrown into the eyes, which can damage eyes severely. Always wear safety glasses while operating the mower, or while performing any adjustments or repairs.

Motor/Blade Control Assembly

The motor/blade control is located on the upper handle of the mower. Refer to Figure 9. The motor/blade control handle engages and disengages the motor and blade.

WARNING: The motor / blade control assembly is a safety device. Never attempt to bypass its operations.

Rear Trailing Shield

The rear trailing shield, attached between the rear wheels of your mower, is provided to minimize the possibility of objects being thrown at the operator from the rear of the mower.

Circuit Breaker

The mower is equipped with a circuit breaker, located on the motor/blade control. Refer to Figure 9. This circuit breaker may trip when too much strain is placed on the mower. See *Making Adjustments Section*.

Guide Rod and Cord Restraint

The cord restraint is located on the back of the upper handle attached to the guide rod. When used properly, the cord restraint helps to protect the motor/blade control assembly and also the extension cord powering the unit.

Grass Catcher

The grass catcher assembly is designed to catch the grass clippings that are cut from your lawn. Never mow without the grass catcher in place on the machine.

Electric Motor

The electric motor is attached to the cutting blade. When engaged, the electric motor turns the cutting blade and works to cut grass.

SECTION 6: OPERATING YOUR LAWN MOWER

Cord Connection

Extension Cord Selection

Listed below are the lengths of extension cord and corresponding acceptable cord ratings.

- 50' Cord — use 16 AWG
- 100' Cord — use 14 AWG
- 150' Cord — use 12 AWG

In all cases, the extension cord should be a UL listed cord set suitable for outdoor use.

IMPORTANT: Using any other length or rating of cord will diminish the performance and possibly the life of the electric motor, and may also cause breakers to trip or fuses to blow in your home's fusebox.

Cord Restraint

Attach the extension cord (not provided with unit) to the cord restraint as follows:

- Form a small loop in the extension cord. Allow enough excess cord to make the connection to the motor/blade control (approximately 7 inches).
- Slip the loop through the slot on the bottom of the cord restraint, and up over the tab, to prevent disconnection from the motor/blade control during operation.
- Keep the cord restraint as close to the motor/blade control as possible. See Figure 10.

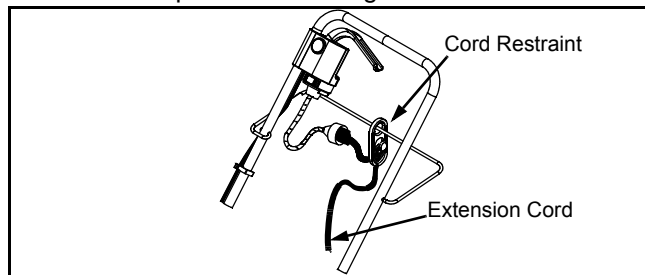


Figure 10

Connecting to the Motor/Blade Control Assembly

Connect the plug on the extension cord fully onto the plug on the motor / blade control. The mower is equipped with a polarized AC power plug (one blade of the plug is wider than the other), which will fit into the plug on the extension cord only one way. If unable to make a full connection, try reversing the plug on the extension cord. Should the plugs still fail to fit, contact your service dealer for assistance. Do not defeat the safety purpose of the polarized plug.

Connecting to the Electric Power Source



WARNING: This mower should be operated on a 15 AMP circuit. If you experience difficulty in starting with a standard 15 AMP fuse or circuit breaker, contact your nearest authorized service facility. Do not use a higher rated fuse or breaker without consulting your power company.

Plug the extension cord into any convenient 110-120 volt 60 cycle A.C. outlet or receptacle for your source of power. This outlet may be located either out-of-doors or indoors. To avoid blowing fuses, pick an outlet that is not overloaded. Your mower will operate satisfactorily on a circuit that is fused for 15 amperes. Do not use oversized fuses without consulting an electrician. If an inside receptacle is used, the extension cord can be taken out either through the doorway or a window.

Starting the Motor and Blade

NOTE: For best results, raise the wheels to the highest cutting position until it is determined which height is best for your lawn. See *Cutting Height Adjustment in the Making Adjustments section.*

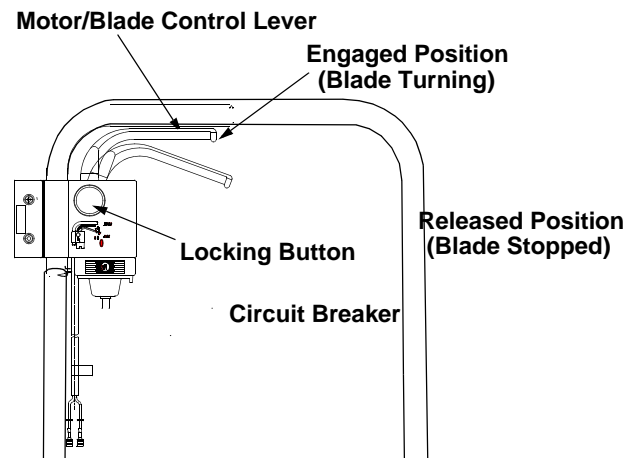


Figure 11

To engage the motor and blade, first be certain to follow the previous steps for connecting a suitable extension cord, then referring to Figure 11:

- Stand behind the unit and depress the locking button.
- While holding the locking button down, pull the motor / blade control lever and hold it against the upper handle.
- Release the locking button.

Stopping the Motor and Blade



WARNING: The blade continues to rotate for a few seconds after the motor is shut off. If the motor does not come to a stop when the motor/blade control handle is released, contact an authorized service dealer.

To stop the motor and blade from spinning:

- Release the motor/blade control lever from its position against the upper handle and the blade and motor will quickly come to a stop.

NOTE: A high pitched noise may occur as the electric motor decelerates and some sparking may occur also at the same time. This is normal behavior when the motor and blade is disengaged.

Mowing Your Lawn

NOTE: A sharp blade will greatly increase the performance of the lawn mower, especially in conditions of higher grass. Be sure to check the blade and sharpen it at least once a year as outlined in the Maintenance section.

- Be sure that lawn is clear of stones, sticks, wires, or other objects which could damage the lawn mower or motor. Such objects could be accidentally thrown by the mower in any direction and cause serious personal injury to the operator and others.
- To prevent electric shock, do not operate the mower in damp or wet conditions.
- Always start from the **point closest to the power source** where the cord is connected. Never mow around the lawn in circles; travel back and forth across the lawn, starting from the point closest to the outlet and then moving away from the outlet so the cord lies in the cut portion of the lawn, out of the way. See Figure 12.

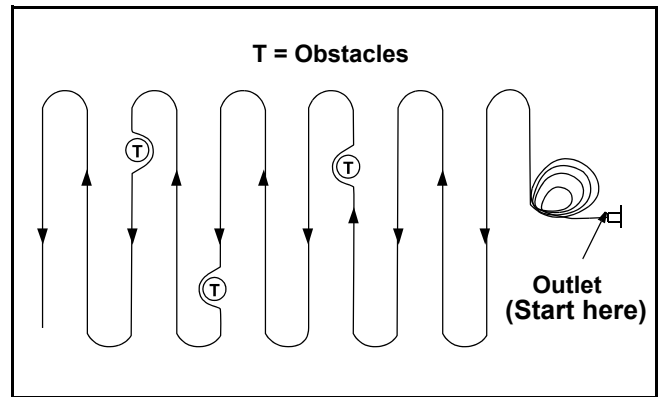


Figure 12

- Do not allow the extension cord to wrap around trees, shrubs or other obstacles. When picking up the extension cord, wind the cord in a series of equal loops on each side of your hand to prevent snarling.
- When cutting heavy grass, reduce walking speed to allow more effective cut and proper collection of the clippings. For a healthy lawn, always cut off one-third or less of the total length of the grass. The average lawn should be approximately 1-1/2 to 2 inches during the cool season, and over 2 inches during hot months. For a healthier and better looking lawn, cut more often and after moderate growth. The lawn should be cut in the fall season as long as there is growth.



WARNING: If you strike a foreign object, stop the motor, and unplug from the power supply circuit. Thoroughly inspect the mower for any damage, and repair the damage before restarting and operating the mower. Excessive vibration of the mower during operation is an indication of damage. The unit should be promptly inspected and repaired.

SECTION 7: MAKING ADJUSTMENTS

Cutting Height Adjustment

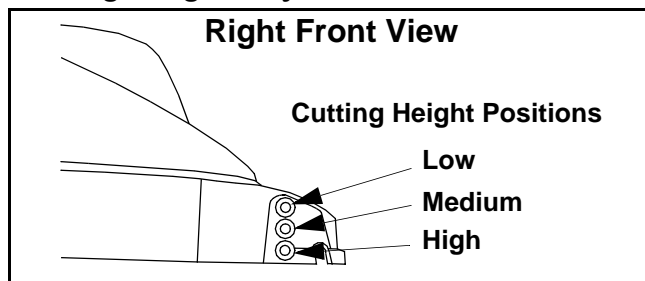


Figure 13

NOTE: For rough or uneven lawns, move the wheels to a position which will give a higher cutting height.



WARNING: Always stop the motor and disconnect from the power source before cleaning, lubricating or performing any repairs or maintenance on the lawn mower.

This mower has three cutting height positions as shown in Figure 13. To adjust the cutting height:

- Remove a wheel assembly and reinstall it in a different position in order to achieve a higher or lower position. Refer to the Assembly section also.

- Repeat this procedure for all wheels, being certain to mount them all in the same position at each corner. Failing to do this will produce an uneven cut.
 - Plug the mower back in, restart the mower, but be sure to reduce the strain on the mower (i.e., mow at a higher cutting height, reduce cutting speed, or take a smaller width of cut).
 - If the circuit breaker does not reset, or if it trips repeatedly under normal cutting conditions, unplug the mower from the extension cord and unplug the extension cord from the power source. Then check to make certain your cord is the correct length and rating as listed in the *Operating Your Lawn Mower* section. If the cord is correct and is also not damaged, take the machine to an authorized service dealer for repair.
- Resetting the Circuit Breaker**
- The mower is equipped with a circuit breaker, located on the motor/blade control assembly as shown in Figure 11. This circuit breaker may trip when too much strain is placed on the mower. The circuit breaker may have been tripped if the mower will not run.
- If this occurs, unplug the mower, wait approximately five minutes, then depress the reset button. Refer to Figure 11.

SECTION 8: MAINTAINING YOUR LAWN MOWER

WARNING: Always stop the motor and disconnect from the power source before cleaning, lubricating or performing any repairs or maintenance on the lawn mower.

Cutting Blade Replacement

WARNING: Always protect hands by wearing heavy gloves and/or wrapping cutting edges with newspapers or other materials when performing any blade maintenance. Be certain to disconnect the power supply.

Removing the Blade

- Stop the motor and disconnect the power supply to the mower. Turn the mower on its side.
- Use a block of wood between the blade and the mower deck to prevent the blade from turning when removing the bolt.
- Using a 15/16" wrench or socket, loosen the blade bolt and remove the blade.

Sharpening the Blade

To sharpen the blade, first remove the blade as outlined in the previous section. DO NOT attempt to sharpen the blade while it is attached to the mower. The blade can be sharpened with a file or on a grinding wheel.

- When sharpening the blade, follow the original angle of grind as a guide. It is extremely important that each cutting edge receives an equal amount of grinding to prevent an unbalanced blade.
- Test the blade by balancing it on a round shaft screwdriver or a blade balancer as shown in Figure 15.

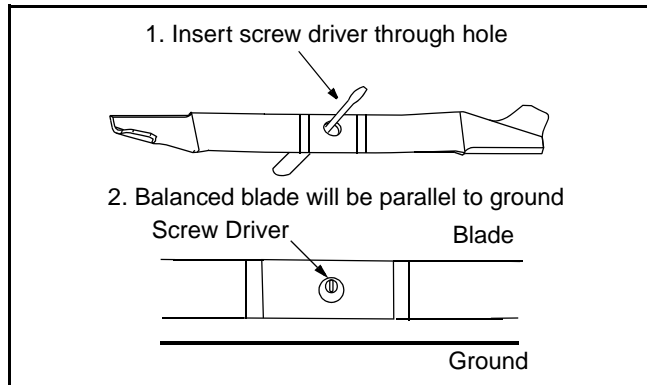


Figure 15

- If the blade is not balanced, remove metal from the heavy side until it balances evenly.



WARNING: An unbalanced blade will cause excessive vibration when rotating at high speeds. It may also cause damage to the mower and could break, causing personal injury.

- Reinstall the blade as described earlier in this section making certain to torque the cutting blade to specifications.

Mower Deck



WARNING: To reduce the risk of electric shock, do not expose the mower to water.

The underside of mower deck should be cleaned after each use as grass clippings, leaves, dirt and other debris will accumulate. This accumulation of grass clippings, etc., is undesirable as it will promote rust and corrosion.

- Remove any buildup of grass and leaves on or around the motor cover (**do not** use water). Wipe the mower clean with a dry cloth occasionally.
- If debris is allowed to build up on the underside of the unit, tilt the mower forward or on its side and scrape it clean with a suitable tool.

Lubrication

At the beginning and end of each mowing season:

- Lubricate the springs on the rear discharge door with a light oil.
- Remove the wheels and lubricate the surface of the axle bolt and the inner surface of the wheel with light oil.

SECTION 9: OFF-SEASON STORAGE

The following steps should be taken to prepare the lawn mower for storage.

- Make certain the power supply is disconnected.
- Clean mower as instructed in previous section.
- Inspect and replace/sharpen blade if required. Refer to Cutting Blade section on page 14.
- Lubricate mower following instructions on page 15.
- Store mower in a dry, clean area. Do not store next to corrosive materials, such as fertilizer and rock salt.
- Wipe extension cord to remove any foreign substance such as oil or stains. Replace extension cord if cut or damaged in any way.
- Wind cord in a series of equal loops on each side of your hand to prevent snarling.
- Store mower indoors, in a cool, dry place, out of reach of children. Do not cover lawn mower with a solid plastic sheet. Any plastic covering traps moisture around the mower which promote rust and corrosion.

SECTION 10: TROUBLE SHOOTING GUIDE

Trouble	Possible Cause(s)	Corrective Action
Mower not starting.	<p>Cord disconnected from the motor/ blade control.</p> <p>Motor/blade control switch defective.</p> <p>Extension cord not connected to a source of power.</p> <p>Circuit breaker on the mower or in the house receptacle tripped.</p>	<p>Reconnect the cord keeping the cord restraint close to the motor/blade control.</p> <p>Replace motor/blade control switch.</p> <p>Connect the extension cord to a 110-120 volt 60 cycle A.C. receptacle.</p> <p>Reset the circuit breaker following instructions in the Maintenance section of this manual.</p>
Circuit breaker on the mower tripping.	<p>Too much workload on the mower.</p> <p>Fuse blown; outlet overloaded.</p>	<p>Raise the cutting height, reset the circuit breaker on the mower, take a smaller width of cut, and walk slowly.</p> <p>Connect to an outlet that is fused for 15 amperes. Reset the circuit breaker and start the mower again.</p>
Mower cutting grass unevenly.	<p>Lawn rough or uneven.</p> <p>Cutting height not set properly.</p>	<p>Move the wheels to a higher cutting height position.</p> <p>All wheels must be placed in the same cutting height for the mower to cut evenly.</p>
Hard to push.	<p>High grass or cutting height too low.</p> <p>Rear of mower housing and blade dragging in heavy grass.</p>	<p>Raise cutting height.</p> <p>Raise cutting height.</p>
Mower vibrating at higher speed.	<p>Bent motor shaft.</p> <p>Blade is unbalanced.</p>	<p>Stop the motor, disconnect the power source and inspect for damage. Repair before restarting. If vibration persists, take it to a service dealer.</p> <p>Balance the blade by grinding each cutting edge equally.</p>
Cord disconnects frequently.	<p>Extension cord is not properly attached to the cord restraint.</p> <p>Old, worn, or loose extension cord.</p>	<p>Reconnect the extension cord to the cord restraint on the guide rod.</p> <p>Replace extension cord.</p>

NOTES

Model C06

REF. NO.	PART NO.	DESCRIPTION
1	749-1042A	Upper Handle
2	749-1312	Lower Handle
3	720-0369	Handle Plug
4	710-1718	Handle Bolt LH
5	736-0649	Lock Washer
6	712-0690	Hex Nut
7	710-1757	Screw
8	725-04075	Motor / Blade Control Switch
9	731-2427	Cord Insulator
10	731-2421-0638	Mower Housing (Incl. Ref# 39-41)
11	731-2088A-0637	Protection Cover
12	731-2224A	Motor Cover
13	724-0310	Electric Motor
14	710-1756	Screw
15	631-0148	Blade Hub Assembly
16	742-0804	Cutting Blade
17	731-2452	Lock Washer
18	624-0081	Blade Screw
19	731-2463-0637	Rear Discharge Door
20	747-1072	Rod
21	732-0912	Spring
22	736-0697	Washer
23	736-0698	Lock Washer
24	710-1350	Screw
25	731-1805-0638	Cap
26	782-0609	Holder Plate
27	734-1884-0637	Rear Wheel
28	734-1885-0637	Front Wheel
29	720-0343-0637	Rear Wheel Cap
30	720-0342-0637	Front Wheel Cap
31	738-1031	Axle Bolt
32	731-2402	Rear Trailing Shield
33	710-1758	Screw
34	747-1010	Guide Rod
35	726-0368-0637	Cable Clamp
37	731-2465	Grass Bag
38	731-2466A	Grass Bag Cover
39	782-9095A-0638	Protection Plate
40	736-0766	Washer
41	728-0286	Rivet
42	731-2454	Wire Clip
43	710-1764	Handle Bolt RH

MANUFACTURER'S LIMITED WARRANTY FOR:



The limited warranty set forth below is given by MTD LLC with respect to new merchandise purchased and used in the United States, its possessions and territories.

"MTD" warrants this product against defects in material and workmanship for a period of two (2) years commencing on the date of original purchase and will, at its option, repair or replace, free of charge, any part found to be defective in materials or workmanship. This limited warranty shall only apply if this product has been operated and maintained in accordance with the Operator's Manual furnished with the product, and has not been subject to misuse, abuse, commercial use, neglect, accident, improper maintenance, alteration, vandalism, theft, fire, water, or damage because of other peril or natural disaster. Damage resulting from the installation or use of any part, accessory or attachment not approved by MTD for use with the product(s) covered by this manual will void your warranty as to any resulting damage.

Normal wear parts are warranted to be free from defects in material and workmanship for a period of thirty (30) days from the date of purchase. Normal wear parts include, but not limited to items such as: batteries, belts, blades, blade adapters, grass bags, rider deck wheels, seats, snow thrower skid shoes, shave plates, auger spiral rubber and tires.

HOW TO OBTAIN SERVICE: Warranty service is available, WITH PROOF OF PURCHASE, through your local authorized service dealer. To locate the dealer in your area, check your Yellow Pages, or contact MTD LLC at P.O. Box 361131, Cleveland, Ohio 44136-0019, or call 1-800-800-7310 or 1-330-220-4683 or log on to our Web site at www.mtdproducts.com.

This limited warranty does **not** provide coverage in the following cases:

- a. The engine or component parts thereof. These items may carry a separate manufacturer's warranty. Refer to applicable manufacturer's warranty for terms and conditions.
- b. Log splitter pumps, valves, and cylinders have a separate one year warranty.
- c. Routine maintenance items such as lubricants, filters, blade sharpening, tune-ups, brake adjustments, clutch adjustments, deck adjustments, and normal deterioration of the exterior finish due to use or exposure.
- d. Service completed by someone other than an authorized service dealer.

- e. MTD does not extend any warranty for products sold or exported outside of the United States, its possessions and territories, except those sold through MTD's authorized channels of export distribution.
- f. Replacement parts that are not genuine MTD parts.
- g. Transportation charges and service calls.

No implied warranty, including any implied warranty of merchantability of fitness for a particular purpose, applies after the applicable period of express written warranty above as to the parts as identified. No other express warranty, whether written or oral, except as mentioned above, given by any person or entity, including a dealer or retailer, with respect to any product, shall bind MTD. During the period of the warranty, the exclusive remedy is repair or replacement of the product as set forth above.

The provisions as set forth in this warranty provide the sole and exclusive remedy arising from the sale. MTD shall not be liable for incidental or consequential loss or damage including, without limitation, expenses incurred for substitute or replacement lawn care services or for rental expenses to temporarily replace a warranted product.

Some states do not allow the exclusion or limitation of incidental or consequential damages, or limitations on how long an implied warranty lasts, so the above exclusions or limitations may not apply to you.

In no event shall recovery of any kind be greater than the amount of the purchase price of the product sold. **Alteration of safety features of the product shall void this warranty.** You assume the risk and liability for loss, damage, or injury to you and your property and/or to others and their property arising out of the misuse or inability to use the product.

This limited warranty shall not extend to anyone other than the original purchaser or to the person for whom it was purchased as a gift.

HOW STATE LAW RELATES TO THIS WARRANTY: This limited warranty gives you specific legal rights, and you may also have other rights which vary from state to state.

IMPORTANT: Owner must present Original Proof of Purchase to obtain warranty coverage.

MTD LLC, P.O. BOX 361131 CLEVELAND, OHIO 44136-0019; Phone: 1-800-800-7310, 1-330-220-4683

Free Manuals Download Website

<http://myh66.com>

<http://usermanuals.us>

<http://www.somanuals.com>

<http://www.4manuals.cc>

<http://www.manual-lib.com>

<http://www.404manual.com>

<http://www.luxmanual.com>

<http://aubethermostatmanual.com>

Golf course search by state

<http://golfingnear.com>

Email search by domain

<http://emailbydomain.com>

Auto manuals search

<http://auto.somanuals.com>

TV manuals search

<http://tv.somanuals.com>