

Operator's Manual

Twin Rear Bagger

For Revolution™ and ZTT Model Lawn Tractors

Models

OEM-190-625 (for 42-inch decks)

OEM-190-626 (for 46-inch decks)

MTD PRODUCTS INC. P.O. BOX 368022 CLEVELAND, OHIO 44136-9722

PRINTED IN U.S.A.

FORM NO. 770-10442
(8/2000)

FINDING YOUR MODEL NUMBER

This Operator's Manual is an important part of your new twin bagger grass collector. It will help you assemble, prepare and maintain the unit for best performance. Please read and understand what it says.



Before you start assembling your new equipment, please locate the model plate on the equipment and copy the information from it in the space provided below. The information on the model plate is very important if you need help from our Customer Support Department or an authorized dealer.

- You can locate the model number by looking front, left portion of the plastic grass catcher cover. See Figure 1.

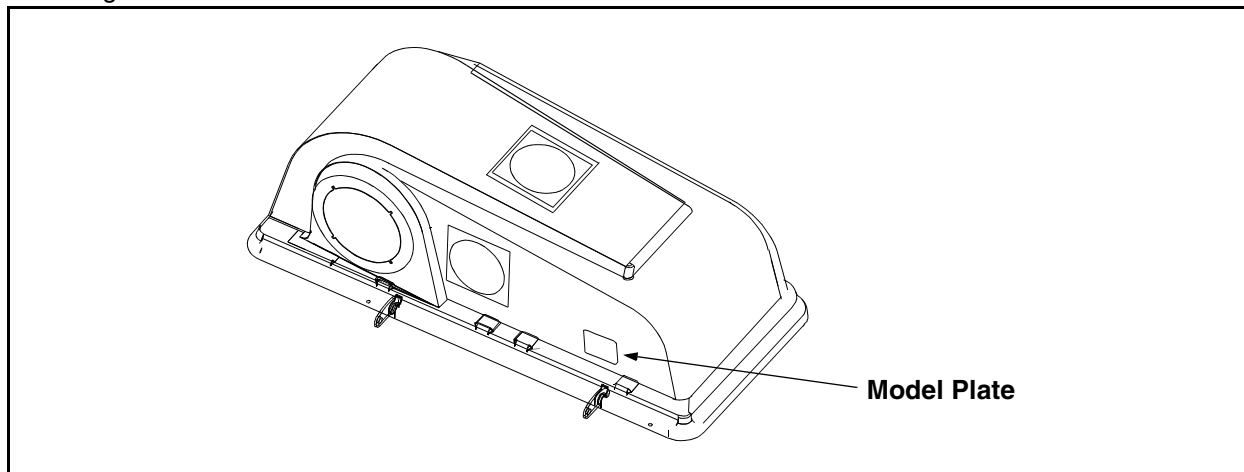
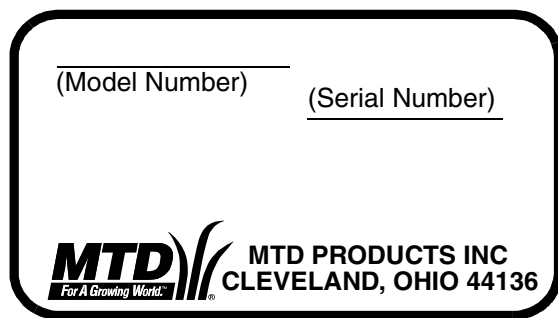


Figure 1

- A sample model plate is explained below. For future reference, please copy the model number and the serial number of the equipment in the space below.



Copy the model number here: _____

Copy the serial number here: _____

CALLING CUSTOMER SUPPORT

If you have difficulty assembling this product or have any questions regarding the controls, operation or maintenance of this unit, please call the Customer Support Department.



Call **1- (330) 220-4MTD (4683)** or **1- (800)-800-7310** to reach a Customer Support representative. Please have your unit's model number and serial number ready when you call. See previous section to locate this information. You will be asked to enter the serial number in order to process your call.

For more details about your unit, visit our website at www.mtdproducts.com

SECTION 1: TO THE OWNER

Model 625 and Model 626 Twin Rear Bagger Kits are grass collection systems designed for use on Revolution™ and ZTT Model Lawn Tractors equipped either a 42-inch cutting deck (Model 625) or a 46-inch cutting deck (Model 626) only. **It will NOT fit on any other tractor, regardless of the tractor's FastAttach™ compatibility.**

The instructions in this manual are divided into sections. Carefully read all sections and study the illustrations to ensure proper installation and usage of this attachment. Read and observe all **WARNING** statements. They are included to provide for the protection of the equipment installer and user, and to ensure the prolonged service life of the equipment.

NOTE: References to *LEFT* and *RIGHT* indicate the left and right sides of the tractor when facing forward in the operator's position. Reference to the *FRONT* indicates the grille end; to the *REAR* the drawbar end.

SECTION 2: CONTENTS OF CARTON

Before beginning installation, remove all parts from the carton to make sure everything is present. Carton contents are listed below and shown in . Hardware part number are shown in parentheses.

One Chute Tube

One Discharge Tube Assembly

One Set of Blades (Model 626 only)

One Extension Tube

Two Grass Bag Assemblies

One Grass Catcher Cover Assembly

One Bracket Assembly w/ Clevis Pin (711-0309A) & Hairpin Clip (714-0117) in place.

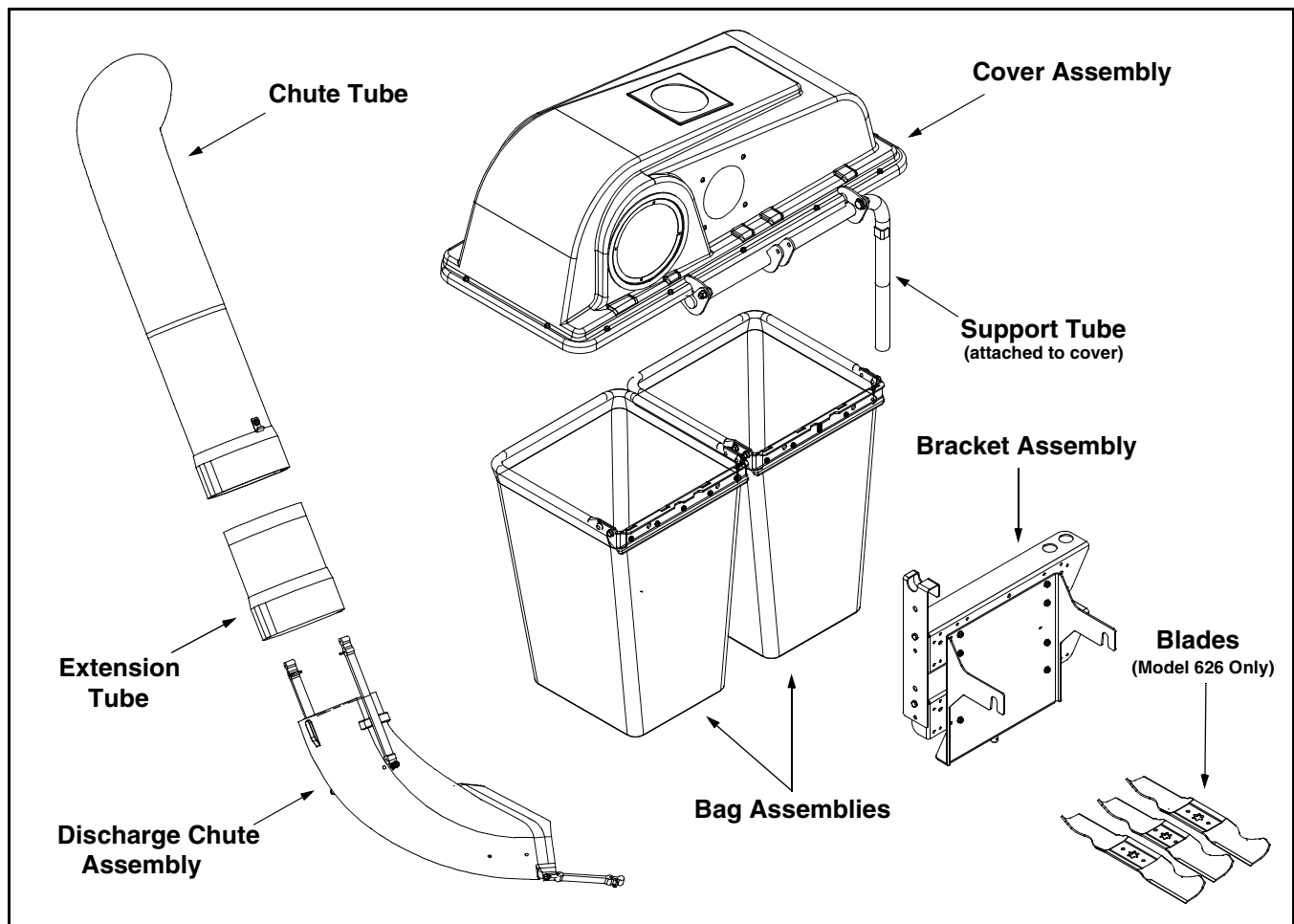


Figure 2

SECTION 3: ATTACHING THE GRASS COLLECTOR



WARNING: Before attempting to install the grass collector, move the machine to flat, level ground, disengage PTO, move control handles into neutral position, set parking brake, stop engine and remove key to prevent unintended starting.

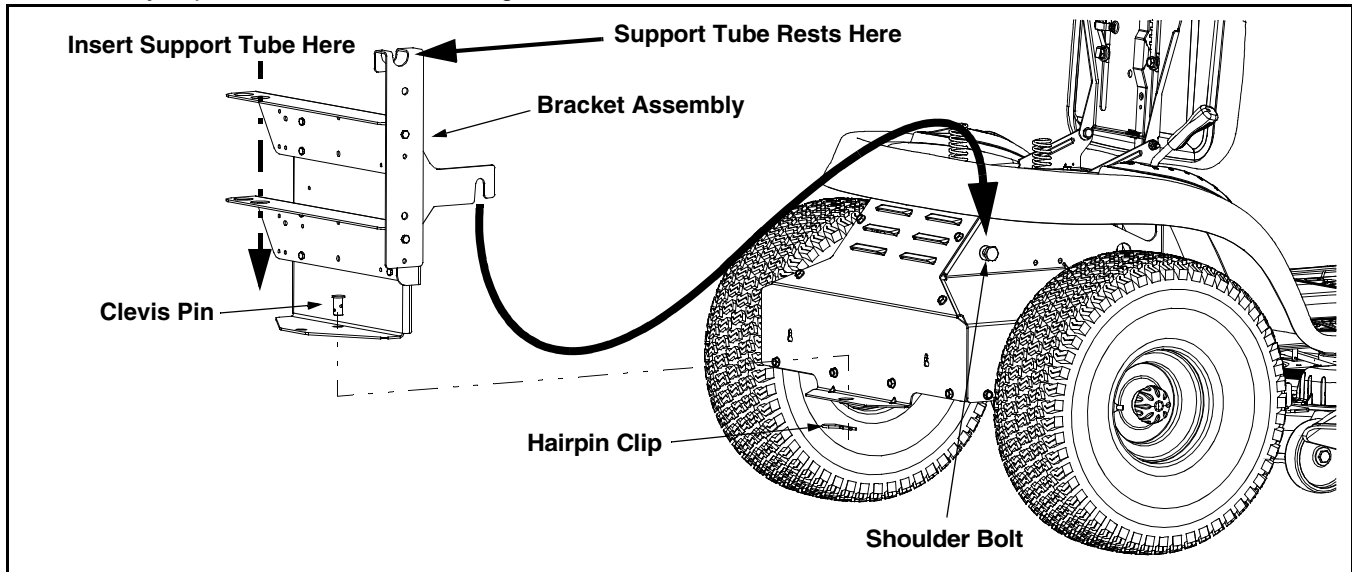


Figure 3

Mounting the Bracket Assembly

1. To ease the following procedures, pivot the seat forward and leave it in that position until the grass collector is fully mounted and assembled.
2. Remove the hairpin clip and clevis pin from the rear of the bracket assembly. Refer to Figure 3
3. Position the hooked ends of the bracket assembly to the outside of the hitch plate and over the shoulder bolts. Refer to Figure 3.
4. Reinsert the clevis pin through the aligned holes in both the bracket assembly and the hitch plate and secure with the hairpin clip. Refer to Figure 3.

IMPORTANT: There are two holes in the clevis pin. Be sure to insert the hairpin clip in the **upper** hole to properly secure the bracket assembly to the hitch plate.

Attaching the Cover and Bags

1. Place the cover assembly's support tube (refer to Figure 2) in position on the rear of unit by sliding the support tube down through the holes in the left side of the bracket assembly. Use the **inside** hole on the bracket assembly regardless of what size deck your tractor is equipped with. Refer to Figure 3.
2. Place the cover assembly in position so that the support tube rests on the right side of the bracket assembly. Refer to Figure 3. Allow the plastic cover to rest in the "open" position on the back of the tractor's seat until Step 3 is completed.

3. Attach the grass bags using the slots as shown in Figure 4.

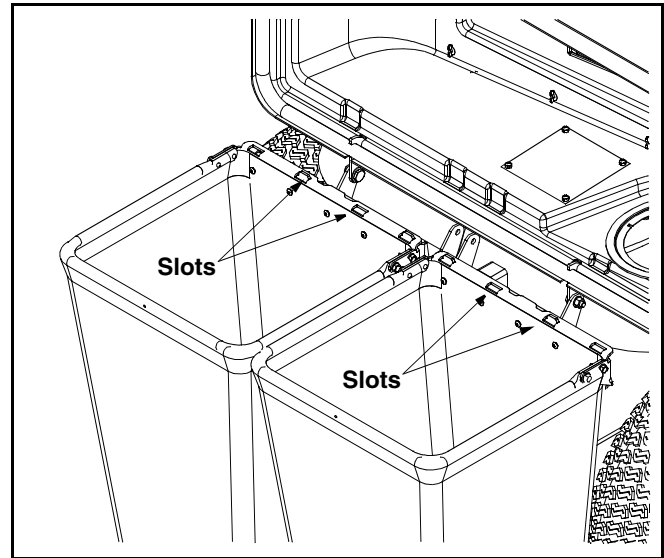


Figure 4

4. Close the cover on the grass collector.

Attaching The Cutting Blades

(Model 626 Only)



WARNING: Protect your hands by using heavy gloves or a rag to grasp the cutting blade.

Remove the blades from your tractor's cutting deck as follows.

NOTE: Do NOT perform the following steps on tractor's equipped with a 42-inch deck.

1. Remove the cutting deck from beneath the tractor, (refer to **Deck Removal** in the **MAINTENANCE** section of your tractor's Operator's Manual for detailed instructions) then gently flip the deck over to expose its underside.
2. Place a block of wood between the center deck housing baffle and the cutting blade to act as a stabilizer. See Figure 5.
3. Use a 15/16" wrench to remove the hex flange nut that secures the blade to the spindle assembly. See Figure 5.

NOTE: The hex flange nut has a normal (right-handed) thread pattern. Do NOT attempt to force the nut in the incorrect direction. Doing so may damage the nut and create a safety hazard.

4. Install the new blades packed with the bagger. Be sure to install the blade with the side of the blade marked "Bottom" (or with a part number stamped in it) facing the ground when the mower is in the operating position.

IMPORTANT:Mount the SMALLER of the three blades to the CENTER spindle. The remaining two blades are interchangeable.

IMPORTANT:Use a torque wrench to tighten the blade spindle hex flange nut to between 70 foot-pounds and 90 foot-pounds.

5. Remount the cutting deck.

Attaching the Discharge Chute

1. Raise the deck to its highest position by placing the lift lever in the top notch on the right fender.
2. Pivot the chute deflector on the deck upward.
3. Place the top edge of the discharge chute in position over the chute opening on the deck, then push down on the discharge chute so the front edge fits snugly around the cutting deck opening. See Figure 6.
4. Fasten the discharge chute in position by hooking the retainer strap over the retainer clip found on the front lip of the cutting deck. See Figure 6.
5. Pivot the cover assembly forward and insert the upper end of the chute tube into the hole in the cover assembly. See Figure 7.
6. Insert the extension tube between the discharge chute and the chute tube as shown in Figure 7.
7. Secure by placing the ends of the retainer straps on the discharge chute over the clips on the chute tube. See Figure 7.

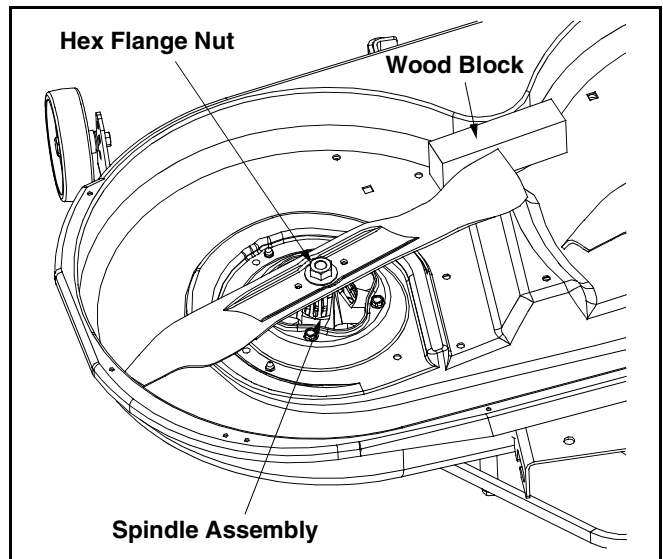


Figure 5

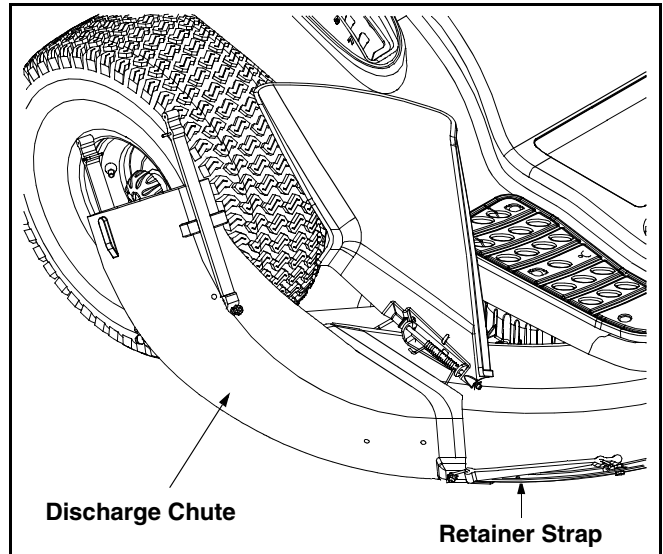


Figure 6

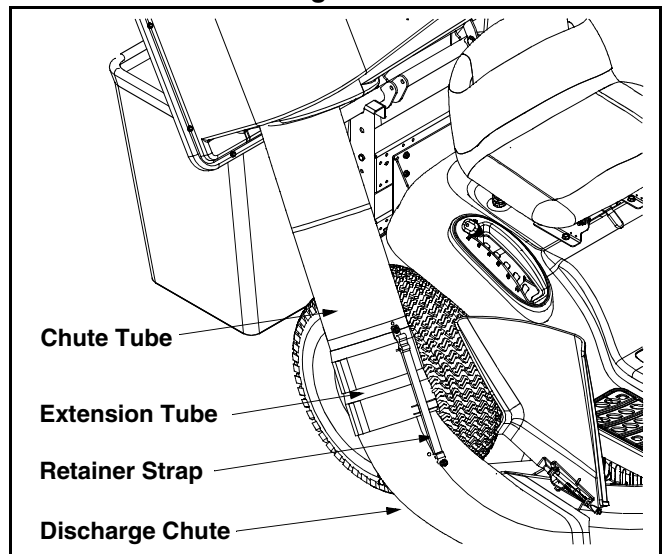
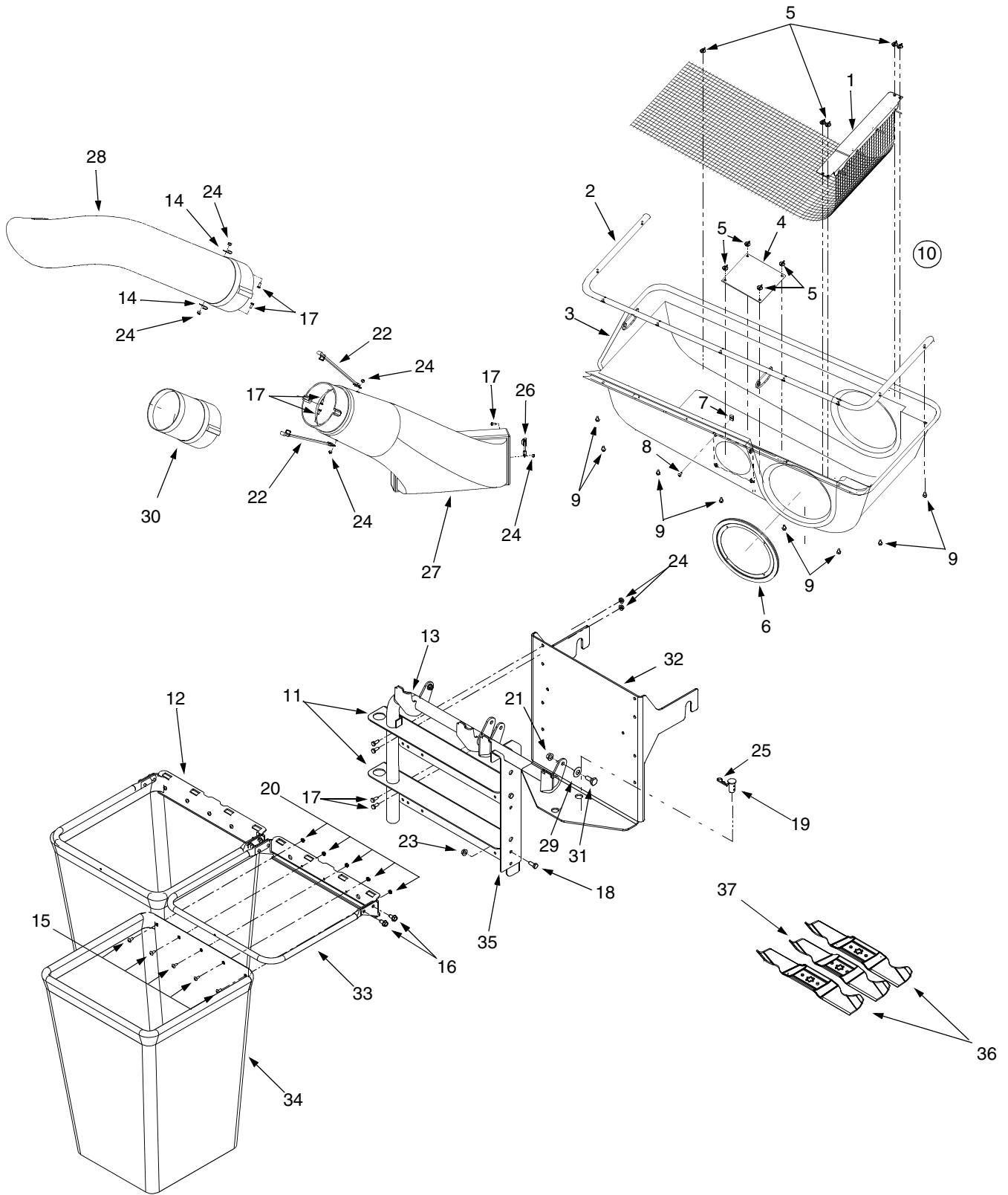


Figure 7

Models 625 & 626



Models 625 & 626

REF. NO.	PART NO.	DESCRIPTION
1	16847A	Screen Assembly
2	16596	Hinge Bracket Assembly
3	731-0821A	Grass Catcher Cover (Model 625)
	731-1417	Grass Catcher Cover (Model 626)
4	731-0824A	Plastic Plate, 1/8 x 5.6 sq.
5	726-0258	Zip Twist Fastener
6	723-0412	Tube Seal (Model 625)
	723-0413	Tube Seal (Model 626)
7	712-0147	U-Type Speed Nut, #10-24
8	710-0473	Screw, #10-24 x .5
9	710-0599	Hex Screw, 1/4-20 x .5 (Model 625)
	710-0896	Hex Screw, 1/4-14 x .625 (Model 626)
10	16594A	Cover Assembly (Model 626)
	631-0007	Cover Assembly (Model 626)
11	16587D	Catcher Support Tube Mounting Bracket
12	16591A	Bag Frame Hanger Bracket
13	16592	Catcher Support Tube Assembly
14	16606	Retainer Hook Bracket
15	710-0473	Screw, #10-24 x .5
16	710-0604A	Self Tapping Screw, 5/16-18 x .625
17	710-0751	Hex Cap Screw, 1/4-20 x .62
18	710-3008	Hex Cap Screw, 5/16-18 x .75
19	711-0309A	Clevis Pin
20	712-0272	Hex Sems Nut, 10-24
21	712-0431	Hex Flange Lock Nut, 3/8-16
22	723-0476	Retainer Strap Assembly
23	712-3004A	Hex Flange Lock Nut, 5/16-18
24	712-3027	Hex Flange Lock Nut, 1/4-20
25	714-0117	Internal Cotter Pin, .148 x 3
26	723-0383	Retainer Strap Assembly
27	731-0827B	Discharge Chute (Model 625)
	731-0925B	Discharge Chute (Model 626)
28	731-0899A	Chute Tube (Model 625)
	731-0926	Chute Tube (Model 626)
29	736-0253	Bell Washer
30	731-3272	Extension Tube (Model 625)
	731-2299	Extension Tube (Model 626)
31	738-0380	Shoulder Screw, .50 x .27, 3/8-16
32	783-1079	Catcher Support Bracket
33	749-0701A	Bag Frame Tube
34	764-0221	Bag
35	783-0601	Catcher Support Bracket
36	742-0644	Star Center Blade, 16.28 (Model 626)
37	742-0645	Star Center Blade, 14.88 (Model 626)

MANUFACTURER'S LIMITED WARRANTY

The limited warranty set forth below is given by MTD PRODUCTS INC ("MTD") with respect to new merchandise purchased and used in the United States, its possessions and territories.

MTD warrants this product against defects in material and workmanship for a period of two (2) years commencing on the date of original purchase and will, at its option, repair or replace, free of charge, any part found to be defective in material or workmanship. This limited warranty shall only apply if this product has been operated and maintained in accordance with the Operator's Manual furnished with the product, and has not been subject to misuse, abuse, commercial use, neglect, accident, improper maintenance, alteration, vandalism, theft, fire, water or damage because of other peril or natural disaster. Damage resulting from the installation or use of any accessory or attachment not approved by MTD Products Inc. for use with the product(s) covered by this manual will void your warranty as to any resulting damages.

Normal wear parts or components thereof are subject to separate terms as follows: All normal wear part or component failures will be covered on the product for a period of 90 days regardless of cause. After 90 days, but within the two year period, normal wear part failures will be covered ONLY IF caused by defects in material or workmanship of OTHER component parts. Normal wear parts and components include, but are not limited to, belts, blades, blade adapters, grass bags, rider deck wheels, seats, snow thrower skid shoes, shave plates and tires. Batteries are covered by a 90-day limited replacement warranty.

HOW TO OBTAIN SERVICE: Warranty service is available, WITH PROOF OF PURCHASE THROUGH YOUR LOCAL AUTHORIZED SERVICE DEALER. To locate the dealer in your area, please check for a listing in the Yellow Pages or contact the Customer Service Department of MTD PRODUCTS INC by calling 1-800-800-7310 or writing to P.O. Box 368022, Cleveland, Ohio 44136-9722.

This limited warranty does not provide coverage in the following cases:

- a. The engine or component parts thereof. These items carry a separate manufacturer's warranty. Please refer to the applicable manufacturer's warranty on these items.
- b. Log splitter pumps, valves and cylinders have a separate one year warranty.

- c. Routine maintenance items such as lubricants, filters, blade sharpening and tune-ups, or adjustments such as brake adjustments, clutch adjustments or deck adjustments; and normal deterioration of the exterior finish due to use or exposure.
- d. MTD does not extend any warranty for products sold or exported outside of the United States of America, its possessions and territories, except those sold through MTD's authorized channels of export distribution.

No implied warranty, including any implied warranty of merchantability or fitness for a particular purpose, applies after the applicable period of express written warranty above as to the parts as identified. No other express warranty or guaranty, whether written or oral, except as mentioned above, given by any person or entity, including a dealer or retailer, with respect to any product shall bind MTD. During the period of the Warranty, the exclusive remedy is repair or replacement of the product as set forth above. (Some states do not allow limitations on how long an implied warranty lasts, so the above limitation may not apply to you.)

The provisions as set forth in this Warranty provide the sole and exclusive remedy arising from the sales. MTD shall not be liable for incidental or consequential loss or damages including, without limitation, expenses incurred for substitute or replacement lawn care services, for transportation or for related expenses, or for rental expenses to temporarily replace a warranted product. (Some states do not allow the exclusion or limitation of incidental or consequential damages, so the above exclusion or limitation may not apply to you.)

In no event shall recovery of any kind be greater than the amount of the purchase price of the product sold. Alteration of the safety features of the product shall void this Warranty. You assume the risk and liability for loss, damage, or injury to you and your property and/or to others and their property arising out of the use or misuse or inability to use the product.

This limited warranty shall not extend to anyone other than the original purchaser, original lessee or the person for whom it was purchased as a gift.

How State Law Relates to this Warranty: This limited warranty gives you specific legal rights, and you may also have other rights which vary from state to state.

Free Manuals Download Website

<http://myh66.com>

<http://usermanuals.us>

<http://www.somanuals.com>

<http://www.4manuals.cc>

<http://www.manual-lib.com>

<http://www.404manual.com>

<http://www.luxmanual.com>

<http://aubethermostatmanual.com>

Golf course search by state

<http://golfingnear.com>

Email search by domain

<http://emailbydomain.com>

Auto manuals search

<http://auto.somanuals.com>

TV manuals search

<http://tv.somanuals.com>