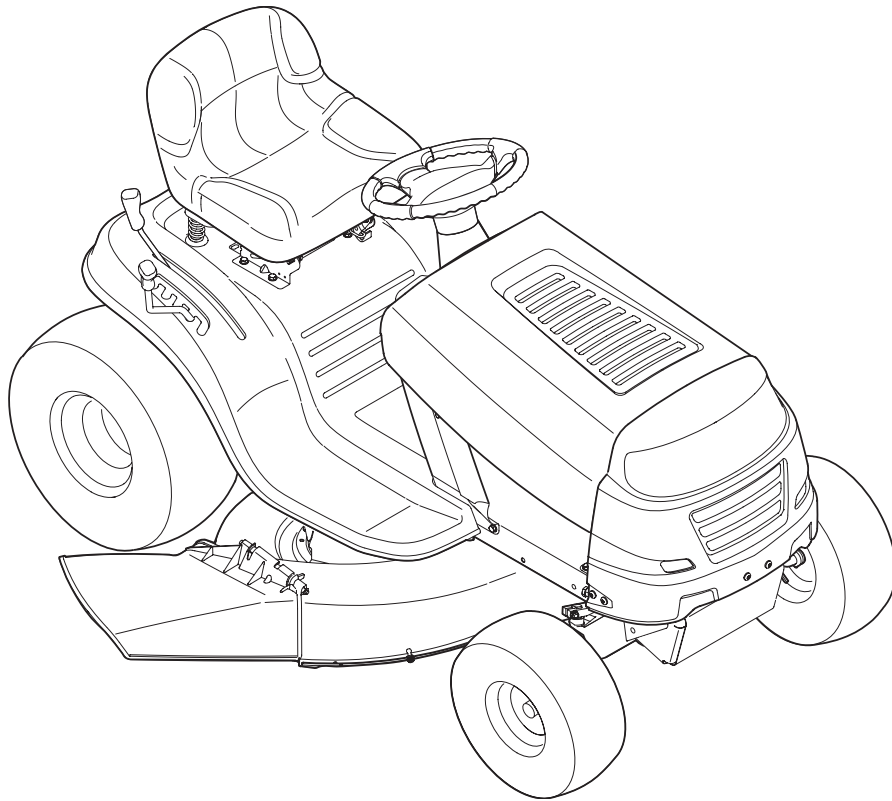


---

# ILLUSTRATED PARTS MANUAL



## Transmatic Lawn Tractor — Model Series 700

---

MTD LLC, P.O. BOX 361131 CLEVELAND, OHIO 44136-0019

---

Printed In USA

Form No. 769-08676  
(November 20, 2012)

# To The Owner

## Thank You

Thank you for purchasing this lawn tractor. It was carefully engineered to provide excellent performance when properly operated and maintained.

All information in this manual is relative to the most recent product information available at the time of printing.

Please be aware that this Illustrated Part's Manual may cover a range of product specifications for various models. Components

listed and/or illustrated in this manual may not be applicable to all models. We reserve the right to change product specifications, designs and equipment without notice and without incurring obligation.

Throughout this manual, all references to *right* (RH) and *left* (LH) are observed from the operating position.

## Table of Contents

<i>Axle, Front</i> .....	16	<i>Hood</i> .....	4-13
<i>Battery</i> .....	14	<i>Deck Lift Handle/Linkage</i> .....	14
<i>Head Lamps</i> .....	4-13	<i>Muffler</i> .....	26-30
<i>Mower Deck, 38-inch</i> .....	22	<i>PTO Lever</i> .....	14
<i>Mower Deck, 42-inch</i> .....	24	<i>Seat</i> .....	18
<i>Pedal Controls</i> .....	20	<i>Steering Wheel</i> .....	16
<i>Dash Panel</i> .....	4-13	<i>Switches, Interlock</i> .....	14
<i>Drive System</i> .....	20	<i>Throttle Control</i> .....	4-13
<i>Engine Accessories</i> .....	26-30	<i>Transmission</i> .....	20
<i>Engine Model 4P90JUB</i> .....	34-46	<i>Wheels, Front</i> .....	16
<i>Fender</i> .....	18	<i>Wheels, Rear</i> .....	20
<i>Frame</i> .....	14	<i>Wiring Harness Schematic</i> .....	31-32
<i>Fuel Tank</i> .....	4-13		

## Record Product Information

To ease in ordering replacement parts, please locate the model plate on the equipment and record the information in the provided area to the right. You can locate the model plate by looking beneath the seat.

### MODEL NUMBER

--	--	--	--	--	--	--	--	--	--	--

### SERIAL NUMBER

--	--	--	--	--	--	--	--	--	--	--

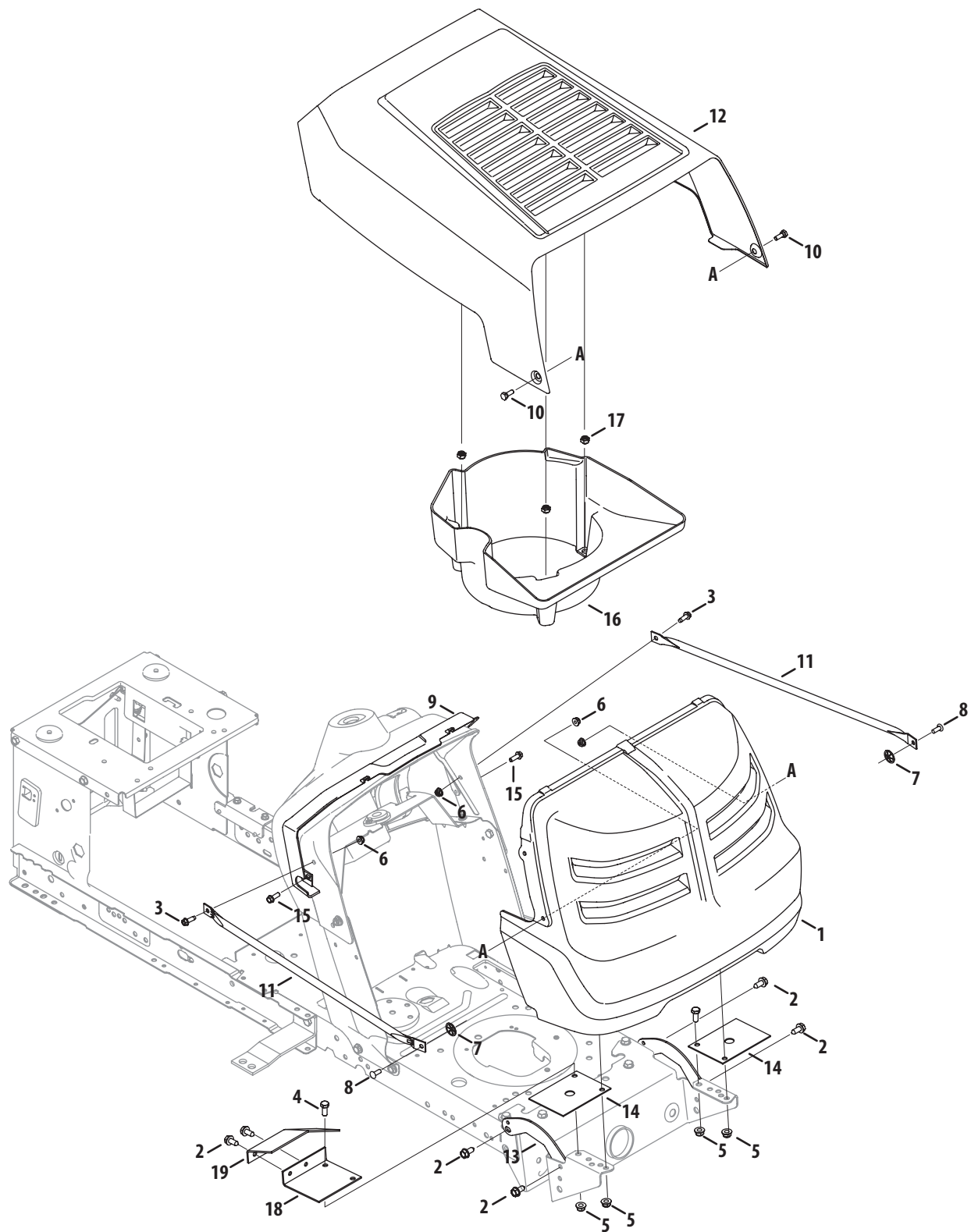
## Painted Parts

When ordering painted service parts, a four digit color suffix must be added to the part number (e.g. 783-XXXXX-0637). Please refer to the table below for current color codes:

0637	Black	0674	Yellow (Yard-Man)
0709	Dark Green (Bolens, Yard-Man)	0650	Metallic Red (White Outdoor)
0662	Oyster Gray (MTD Gold)	0629	Silver Flake (MTD Platinum)
0638	Red (Yard Machines, Huskee, Troy-Bilt, MTD)	04038	Day Orange (Daedong)
0691	Black Jack (MTD Gold, MasterCut)	04033	Flint Mica (Troy-Bilt XP)



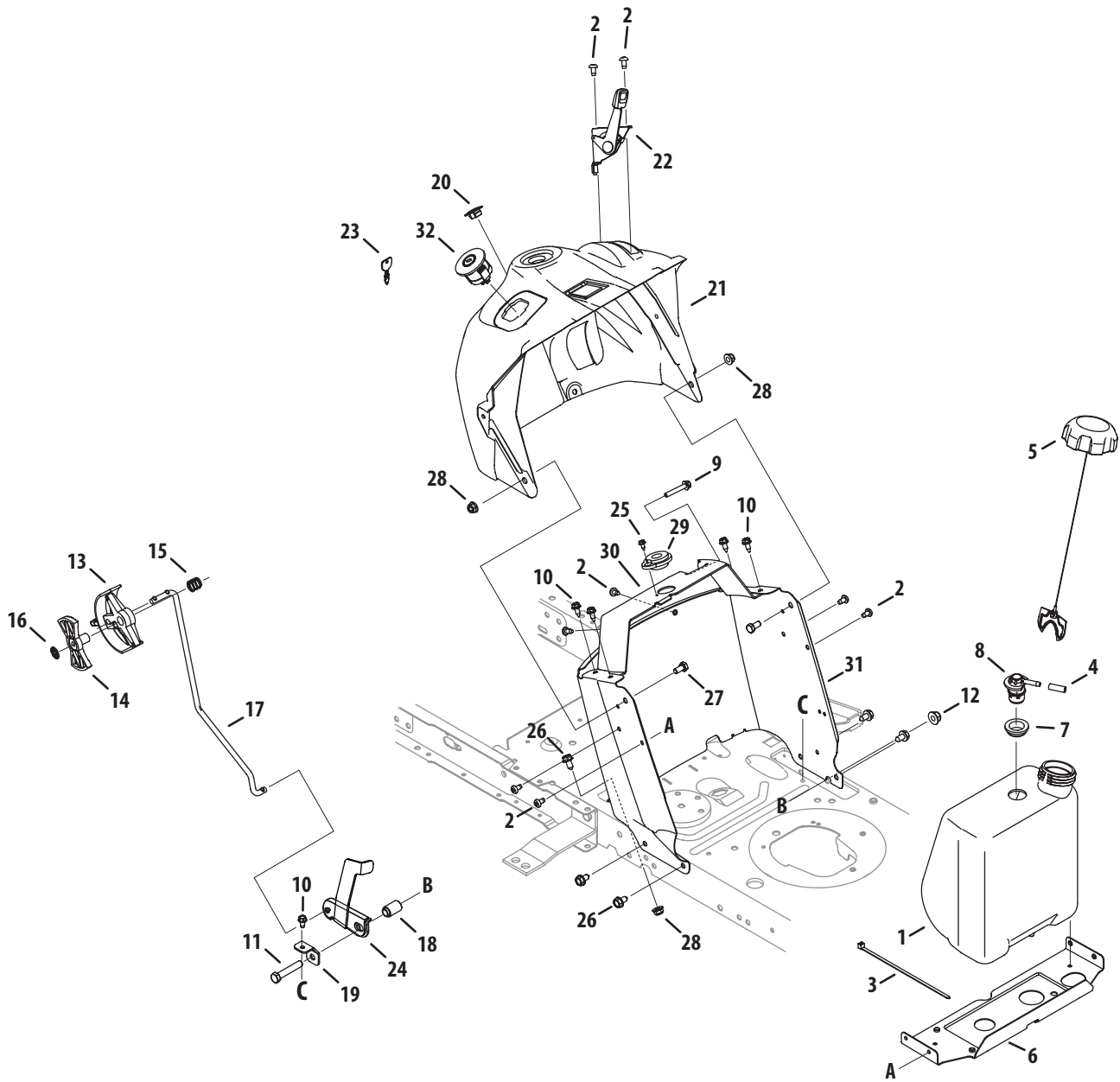
# L Style Hood



Ref. No.	Part No.	Description
1	931-04472A	Grill Assembly
2	710-04484	Screw, Tap, 5/16-18, .750
3	710-0642	Screw, Tap, 1/4-20, 0.750
4	710-3008	Hex Screw, 5/16-18, .75
5	712-04063	Flange Lock Nut, 5/16-18
6	712-04064	Flange Lock Nut, 1/4-20
7	926-04012	Nut, push-On, .25 Dia
8	728-0162	Rivet, flat Head 1/4"
9	731-05012B	Collar, dash, 0/2 Style
10	938-0952A	Bolt, Shoulder, .375 X .125
11	749-04220	Grill Support Rod
12	783-04608	Hood
13	783-05027	Front Pivot Support Bracket
14	783-06682	Support Bracket
15	710-0895	Screw, 1/4-15 x .750
16	731-09514	Plenum
17	748-05016	Spacer, .17 ID x .375 x .09
18	783-08234	Heat Shield
19	783-08236	Heat Shield

**NOTE:** Tractor features vary by model. NOT all parts listed above and pictured on the previous page are standard equipment.

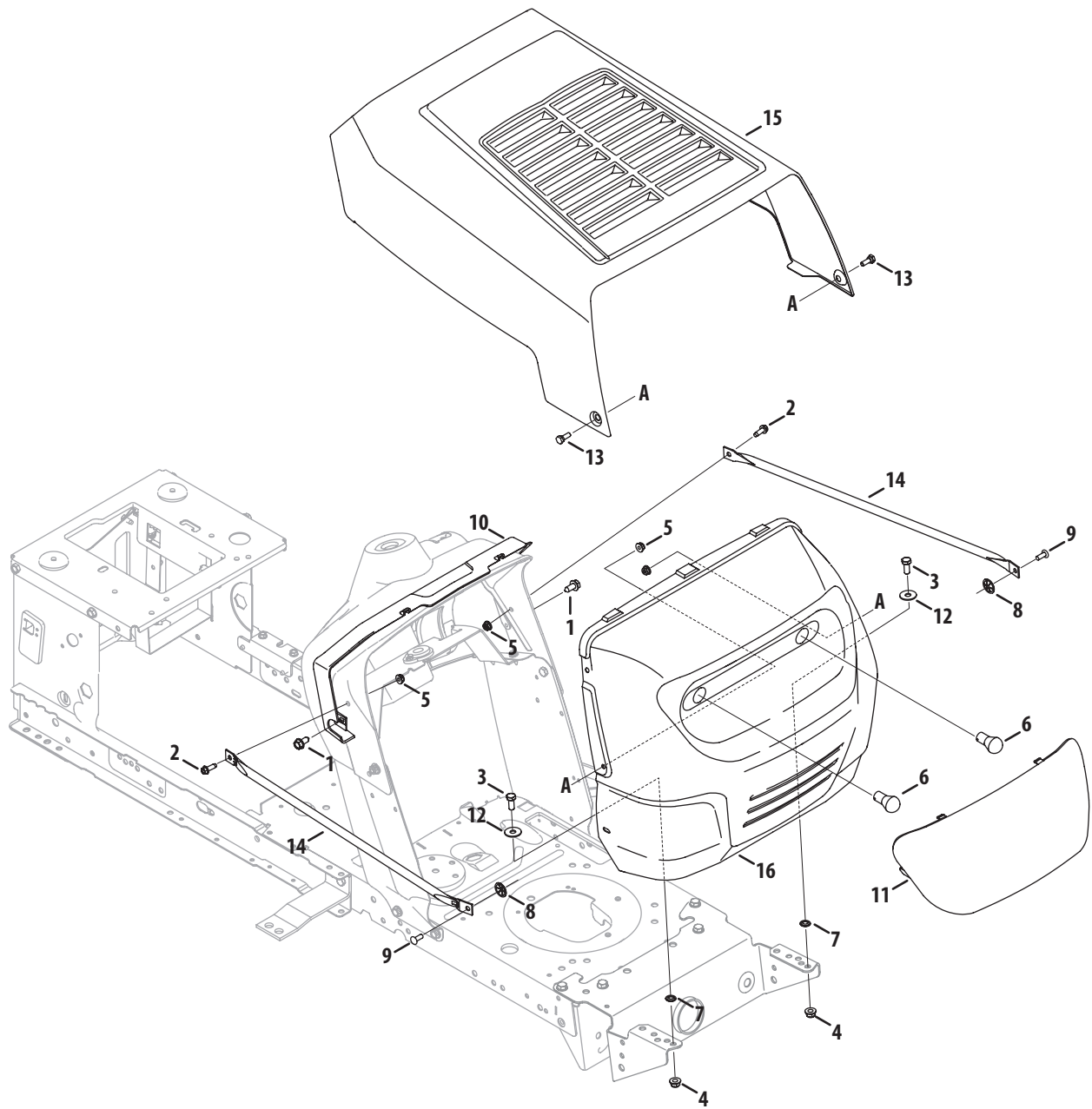
# L Style Dash



Ref. No.	Part No.	Description
1	951-04304	Fuel Tank, 1.36 Gal.
2	710-05070	Screw, Tap, 1/4-20, 0.500
3	726-0230	Cable Tie, 36.0 Long
4	751-12089-28	Hose Vent
5	951-12179A	Fuel Cap, 2.25"
6	783-07083	Gas Tank Support Bracket
7	735-04081	Rubber Grommet, 23 x 3.55
8	751-12118	Rollover Valve
9	710-05237	Hex Screw, 1/4-20 x 1.50
10	710-1652	Tap Screw, 1/4-20, 0.625
11	710-3144	Hex Screw, 3/8-16, 2.00, Gr5, Std
12	712-04065	Flange Lock Nut, 3/8-16
13	731-07885B	Shift Lever
14	731-07895A	Index Control
15	732-04877	Compr. Spring, .685 OD x .63
16	736-3006	Lock Washer, 1/4
17	747-05398	Speed Selector Control Rod
18	750-04465C	Flange Spacer, .390 X .671 X 1.095
19	783-06823	Speed Latch
20	731-05265	Choke Plug
21	931-08542A	Dash, Upper
22	746-04367	Throttle/Choke Cable Assembly
23	625-05002	Key, Assembly
24	783-06991	Speed Latch - No RMC
25	910-0224	Screw, #10-16 x .500
26	710-0604A	Tap Screw, 5/16-18, 0.625
27	710-3025	Hex Screw, 5/16-18 x .625
28	712-04063	Flange Lock Nut, 5/16-18
29	741-0587	Bearing, .628 ID x 1.36
30	783-06785A	Bracket, Steering Support
31	783-06811	Dash, Lower NWNDW
32	925-04659	3 Position Key Switch
—	725-04849C	Harness, LT-5, NRMC, Dual

**NOTE,** Tractor features vary by model. NOT all parts listed above and pictured on the previous page are standard equipment.

## 2 Style Hood

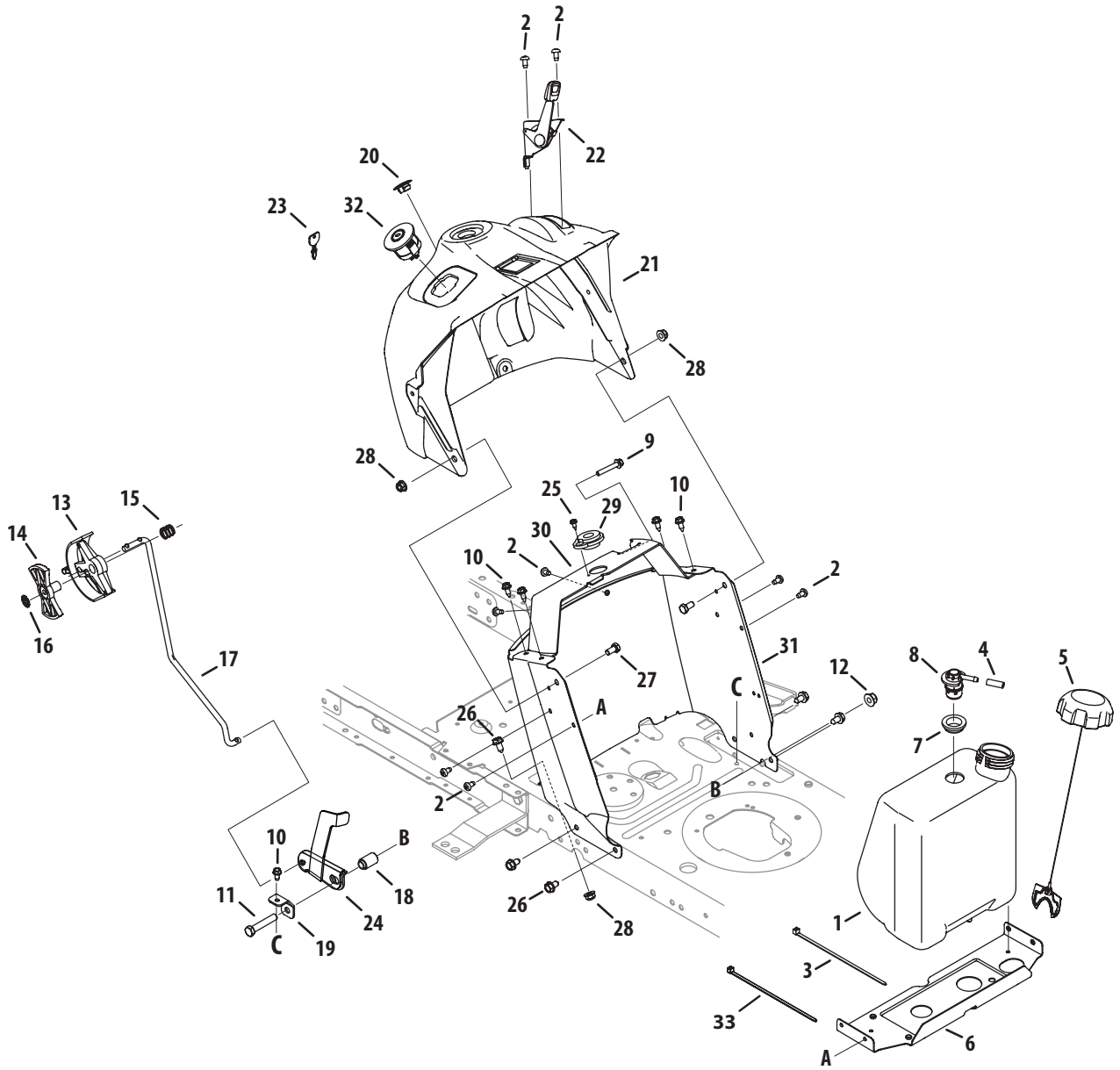




Ref.	Part Number	Description
1	710-0895	Screw, 1/4-15 x .750
2	710-0642	Screw, 1/4-20 x .750
3	710-3008	Hex Screw, 5/16-18 x .75
4	712-04063	Flangelock Nut, 5/16-18
5	712-04064	Flangelock Nut, 1/4-20
6	925-0963	Miniature Lamp 12V Socket
7	726-0201	Speed Nut, .3125
8	926-04012	Push-On Nut, .25
9	728-0162	Flat Head Rivet, 1/4"
10	731-05012B	Dash
11	731-06042	Lens
12	736-3078	Flat Washer, .344 x 1.0 x .063
13	938-0952A	Shoulder Bolt, 1/4-20 x .375 x .125
14	749-04220	Grill Support Rod
15	783-04608	Hood
16	783-05656	Grill

**NOTE:** Tractor features vary by model. NOT all parts listed above and pictured on the previous page are standard equipment.

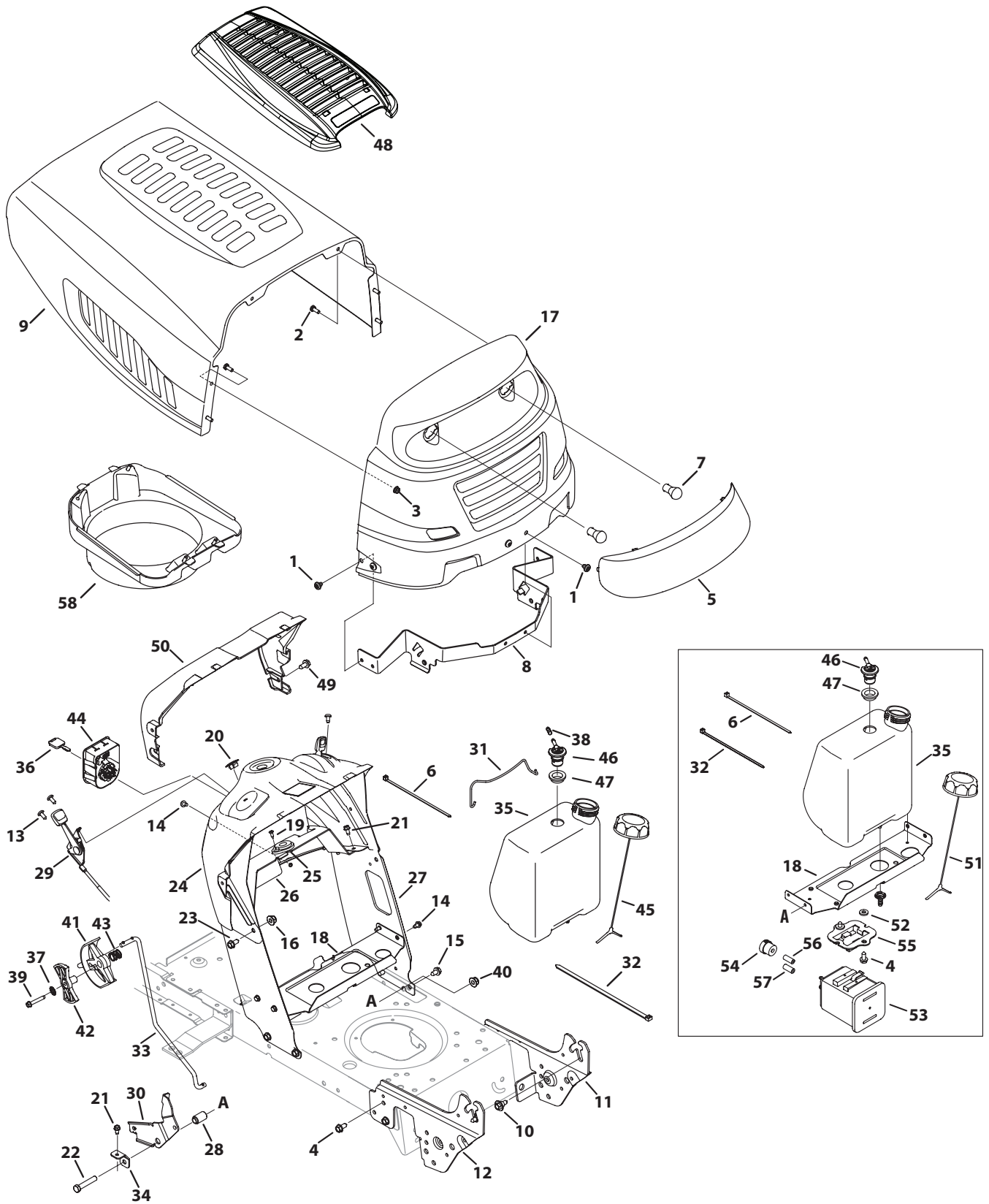
# 2 Style Dash



Ref.	Part Number	Description
1	951-04304	Fuel Tank, 1.36 Gal.
2	710-05070	Screw, Tap, 1/4-20, 0.500
3	726-0230	Cable Tie, 36.0 Long
4	751-12089-28	Hose Vent
5	951-12179A	Fuel Cap, 2.25"
6	783-07083	Gas Tank Support Bracket
7	735-04081	Rubber Grommet, 23 x 3.55
8	751-12118	Rollover Valve
9	710-05237	Hex Screw, 1/4-20 x 1.50
10	710-1652	Tap Screw, 1/4-20, 0.625
11	710-3144	Hex Screw, 3/8-16, 2.00, Gr5, Std
12	712-04065	Flange Lock Nut, 3/8-16
13	731-07885B	Shift Lever
14	731-07965	Index Control, 6 Speed
	731-07895A	Index Control, 7 Speed
15	732-04877	Compr. Spring, .685 OD x .63
16	736-3006	Lock Washer, 1/4
17	747-05398	Speed Selector Control Rod
18	750-04465C	Fling Spacer, .390 X .671 X 1.095
19	783-06823	Speed Latch
20	731-05265	Choke Plug
21	931-08542A	Dash, Upper
22	746-04367	Throttle/Choke Cable Assembly
23	625-05002	Key, Assembly
24	783-06991	Speed Latch - No RMC
25	910-0224	Screw, #10-16 x .500
26	710-0604A	Tap Screw, 5/16-18, 0.625
27	710-3025	Hex Screw, 5/16-18 x .625
28	712-04063	Flange Lock Nut, 5/16-18
29	741-0587	Bearing, .628 ID x 1.36
30	783-06785A	Bracket, Steering Support
31	783-06811	Dash, Lower NWNDW
32	925-04659	Key Switch
33	725-0157	Cable Tie
—	925-04567G	Harness, LT-5, NRMC, Dual

**NOTE:** Tractor features vary by model. NOT all parts listed above and pictured on the previous page are standard equipment.

# 5 Style Hood

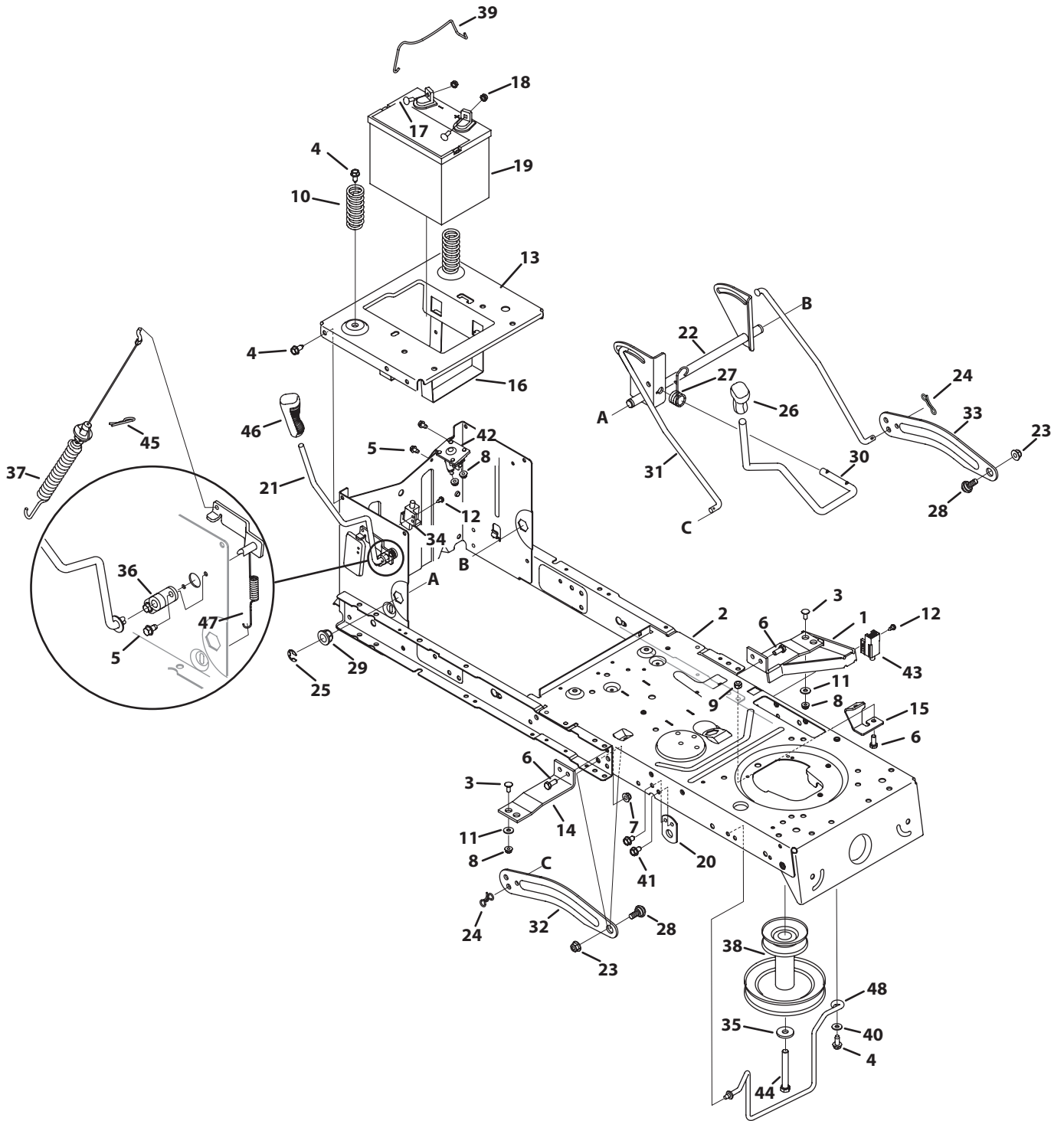


## 5 Style Hood

Ref. No.	Part No.	Description	Ref. No.	Part No.	Description
1	710-04593	Screw, 5/16-18 x .375	30	783-06991	Speed Latch - No RMC
2	710-0751	Hex Screw, 1/4-20 x .620	31	683-04448	Battery Assembly Rod
3	712-04064	Flangelock Nut, 1/4-20	32	726-0230	Cable Tie
4	710-04484	Screw, 5/16-18 x .750	33	747-05398	Speed Control Rod
5	731-04949A	Grill Lens	34	783-06823	Speed Latch Tab
6	725-0157	Cable Tie	35	951-04304	1.36 Gallon Fuel Tank
7	925-0963	Lamp	36	625-05002	Key, Assembly
8	783-05454	Hood Pivot Bracket	37	736-3006	Lock Washer, 1/4
9	783-05683	Hood	38	751-12089-28	Hose Vent, 3/16 EPA
10	738-04091A	Shoulder Screw, 5/16-18 x .43 x .29	39	710-0778	Hex Washer Screw, 1/4-20 x 1.50
11	783-05327B	Left Support Pivot Bracket	40	712-04065	Flangelock Nut, 3/8-16
12	783-05328A	Right Support Pivot Bracket	41	731-07885B	Shift Lever
13	710-04483	Screw, 1/4-20 x .500	42	731-07895A	Index Control
14	710-05070	Screw, 1/4-20 x .500	43	732-04877	Compr. Spring, .72 OD x .78
15	710-0604A	Screw, 5/16-18 x .625	44	925-04659	3 Position Key Switch
16	712-04063	Flangelock Nut, 5/16-18	45	951-12179A	Fuel Cap, 2.25"
17	783-05685	Grill	46	751-12118	Rollover Valve
18	783-07083	Gas Tank Support Bracket	47	735-04081	Rubber Grommet, 23 x 3.55
19	910-0224	Screw, #10-16 x .500	48	731-05522A	Hood Scoop
20	731-05265	Choke Plug	49	710-0895	Screw, 1/4-15 x .750
21	710-1652	Tap Screw, 1/4-20, 0.625	50	731-05078C	Dash Collar
22	710-3144	Hex Screw, 3/8-16 x 2.0	51	951-12426	Fuel Cap, 2.25"
23	710-3025	Hex Screw, 5/16-18 x .625	52	936-3008	Flat Washer, .344 x .750 x .120
24	931-08054	Dash, Upper	53	951-10589	5 Gallon Carbon Canister
	931-08542A	Dash, Upper NRMC	54	951-10590	Vent Filter Canister
25	741-0587	Bearing, .628 ID x 1.36	55	951-10610	Canister Adaptor Bracket
26	783-06785A	Bracket, Steering Support	56	751-10749-30	Hose, Fuel, Low Perm., White
27	783-06811	Dash, Lower	57	751-10750	Hose, Fuel, Low Perm., Yellow
28	750-04465B	Flange Spacer, .390 x .671 x 1.095	58	731-05147A	Plenum
29	746-04367	Throttle/Choke Cable	—	925-04567G	Harness, LT-5, NRMC, Dual

**NOTE:** Tractor features vary by model. NOT all parts listed above and pictured on the previous page are standard equipment.

# Frame and PTO Lift

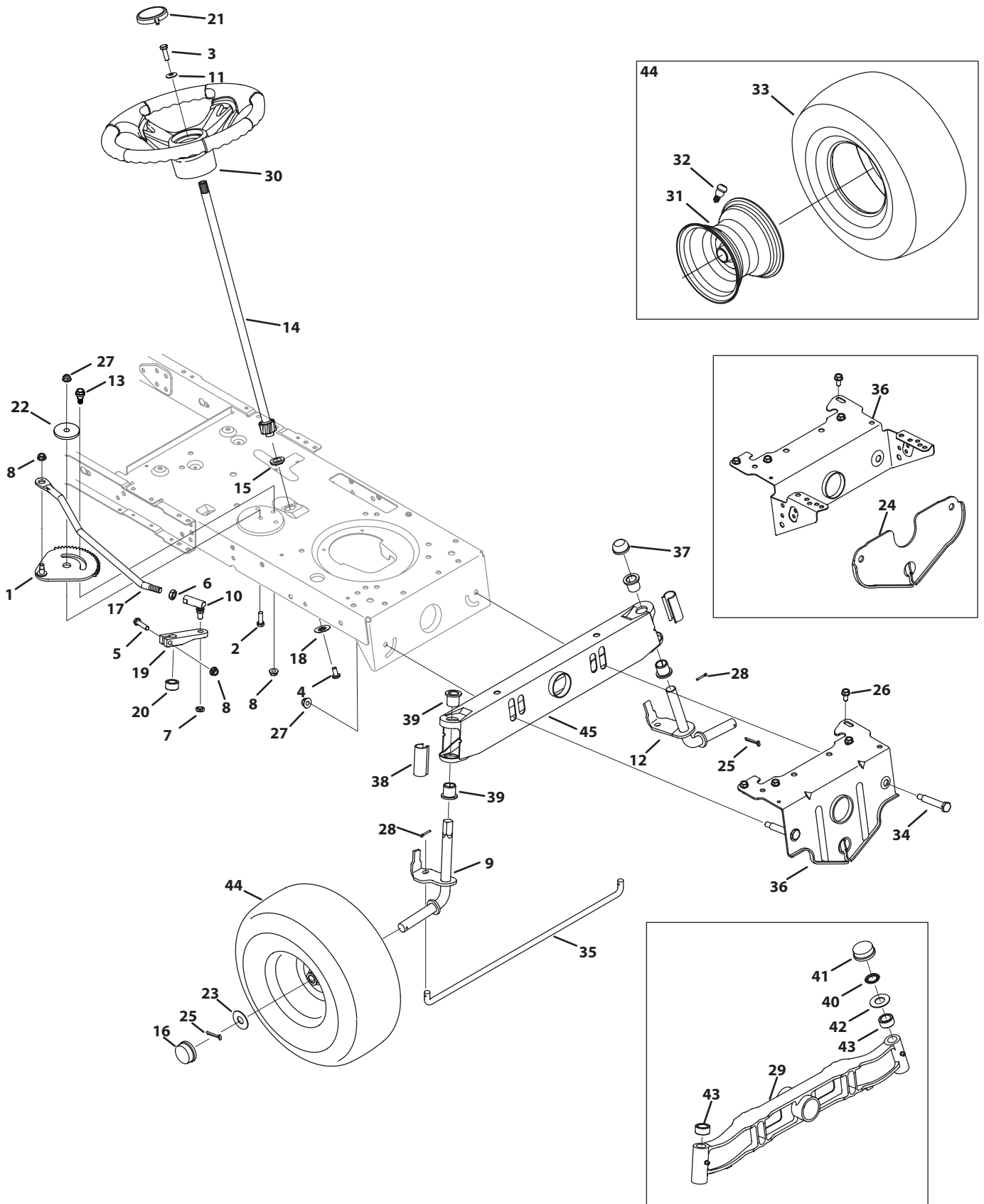


## Frame and PTO Lift

Ref.	Part Number	Description	Ref.	Part Number	Description
1	683-04195	Support Bracket	26	720-0311	Handle Grip, 1/2
2	683-04649A	Frame Assembly	27	732-04225	Torsion Spring
3	710-0134	Screw Carriage, 1/4-20 x .62	28	738-04130	Shoulder Bolt, 3/8-16 x .625 x .175
4	710-04484	Screw 5/16-18 x .750	29	941-0225	Hex Flange Bearing
5	710-0599	Screw, 1/4-20 x .500	30	747-04282	Deck Lift Handle 38"
6	710-3008	Hex Screw, 5/16-18 x .75		747-05296	Deck Lift Handle 42"
7	712-04063	Flangelock Nut, 5/16-18	31	747-04393	Lift Rod
8	712-04064	Flangelock Nut, 1/4-20	32	783-04494C	38/42" Lift Arm, RH
9	912-0429	Hexlock Nut, 5/16-18	33	783-04711C	38/42" Lift Arm, LH
10	732-04035	Compression Spacer, 1.28 x 3.125	34	725-04363	Switch Interlock
11	736-0173	Flat Washer, .28 x .74 x .063	35	736-0322	Flat Washer, .450 x 1.250 x .164
12	738-04237A	Shoulder Spacer, 10-32 x .500	36	741-04119A	PTO Bearing
13	783-04548D	Seat Frame Bracket	37	946-04173E	Deck Engage Cable
14	783-04637	Running Board Bracket	38	756-04196A	Engine Pulley, 3.39 x 6.12
15	783-04753	Support Frame Bracket	39	683-04448	Battery Hold Down Rod
16	783-04869A	Battery Bracket	40	936-0300	Flat Washer, .406 x .875 x .059
17	710-04666	Hex Head Flange, 1/4-20 x .75	41	710-0604A	Screw, 5/16-18.0 x .625
18	712-0271	Sems Nut, 1/4-20	42	725-04439	12V Solenoid
19	925-1707D	230 CCA Battery	43	925-04039	Screw Mount Interlock Switch
20	783-04536B	Support Bracket	44	710-3157A	Hex Screw, 7/16-20 x 3.25
21	647-04096A	PTO Handle Assembly	45	914-0145	Click Pin, .092 x 1.64
22	683-04155A	Lift Assembly, 38/42"	46	720-04049A	Handle Grip, 3/8
23	712-04065	Flangelock Nut, 3/8-16	47	732-04276A	PTO Spring Extension
24	714-04040	Bow-tie Cotter Pin	48	747-04332A	38" Belt Keeper
25	716-0106A	E Ring		747-04857	42" Belt Keeper

**NOTE:** Tractor features vary by model. NOT all parts listed above and pictured on the previous page are standard equipment.

# Front End Steering



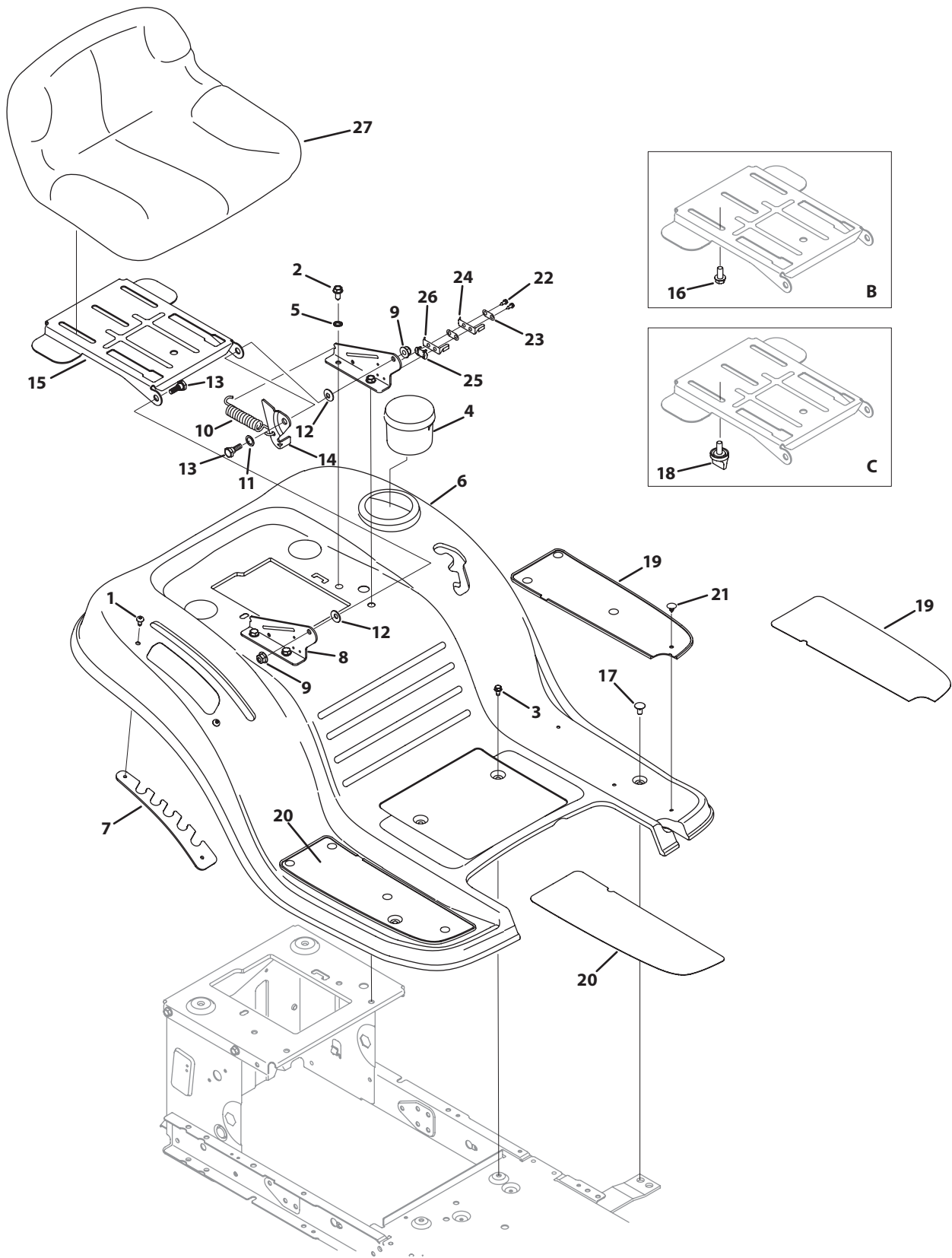


## Front End Steering

Ref.	Part Number	Description	Ref.	Part Number	Description
1	617-04094	Front Steering Gear Assembly	25	714-04039A	Cotter Pin, 5/32 x 1.25
2	710-0514	Hex Screw, 3/8-16 x 1.00	26	710-04484	Screw, 5/16-18 x .750
3	710-0643	Hex Screw, 5/16-18 x 1.00, Lock	27	712-04065	Flangelock Nut, 3/8-16
4	710-1309	Machine Screw, 5/16-18 x .750	28	914-0474	Cotter Pin, .125 x .75
5	710-3180	Hex Screw, 5/16-18 x 1.75	29	919-04177A	Pivot Axle, Cast
6	912-0240	Jam Nut, 7/16-20	30	631-04028	Steering Wheel
7	912-0214	Jamlock Nut, 3/8-24	31	634-04098A	Rim Asm, 6.0 x 4.0, 38"
8	712-04063	Flangelock Nut, 5/16-18		634-05066	Rim Asm, 6.0 x 4.5, 42"
9	638-04008P	Front RH Axle	32	934-0255	Valve, tubeless Air
	938-04013	46" Front RH Axle	33	734-04372	Tire, 13 x 5 x 6, 38"
10	923-0448A	Ball Joint, 7/16-20		734-1731	Tire, 15 X 6 X 6 Sq Shldr, 42"
11	736-0242	Bell Washer, .340 x .872 x .060		734-04240A-0901	Tire, 15 X 6 X 6 Rd Shldr, 42"
12	938-04007A	Front LH Axle	34	738-04128	Shoulder Bolt, 3/8-16 x .500 x 2.38
	938-04014A	46" Front LH Axle	35	747-04299A	Fixed Rod
13	738-04141	Shoulder Bolt, 5/16-18 x .435 x .350	36	783-05326B	Pivot Bar Bracket
14	738-0919A	Steering Shaft, 5/8 x 22.08		783-04601C	Pivot Bar Bracket
15	941-04124	Flange Bearing, 5/8	37	726-0341	Push Cap, 3/4
16	931-0484A	Hub Cap	38	731-04057A	Standard Axle Cap
17	747-05385	Steering Link	39	741-0660A	Flange Bearing, .760 x .941 x 1.0
18	948-0389	Cap, 1.25 x .16	40	726-04035	Push Nut, 3/4
19	748-04278	Steering Block	41	731-04693	Hub Cap
20	748-04068	Spacer, .71 x .125 x .56	42	936-0316	Flat Washer, .78 x 1.59 x .060
21	731-04039	Cap	43	748-04068	Spacer, .71 x .125 x .56
	731-04040	Sprig Cap	44	634-04519	Wheel Assembly, 38"
22	738-04162C	Shoulder Spacer, .884 x .190		634-05067	Wheel Assembly, 42" Sq. Tred
23	736-04228A	Flat Washer, .781 x 1.590		634-05053	Wheel Assembly, 42" Round Tred
24	783-04568	Front Deck Hanger Bracket	45	683-0128B	Pivot Axle

**NOTE:** Tractor features vary by model. NOT all parts listed above and pictured on the previous page are standard equipment.

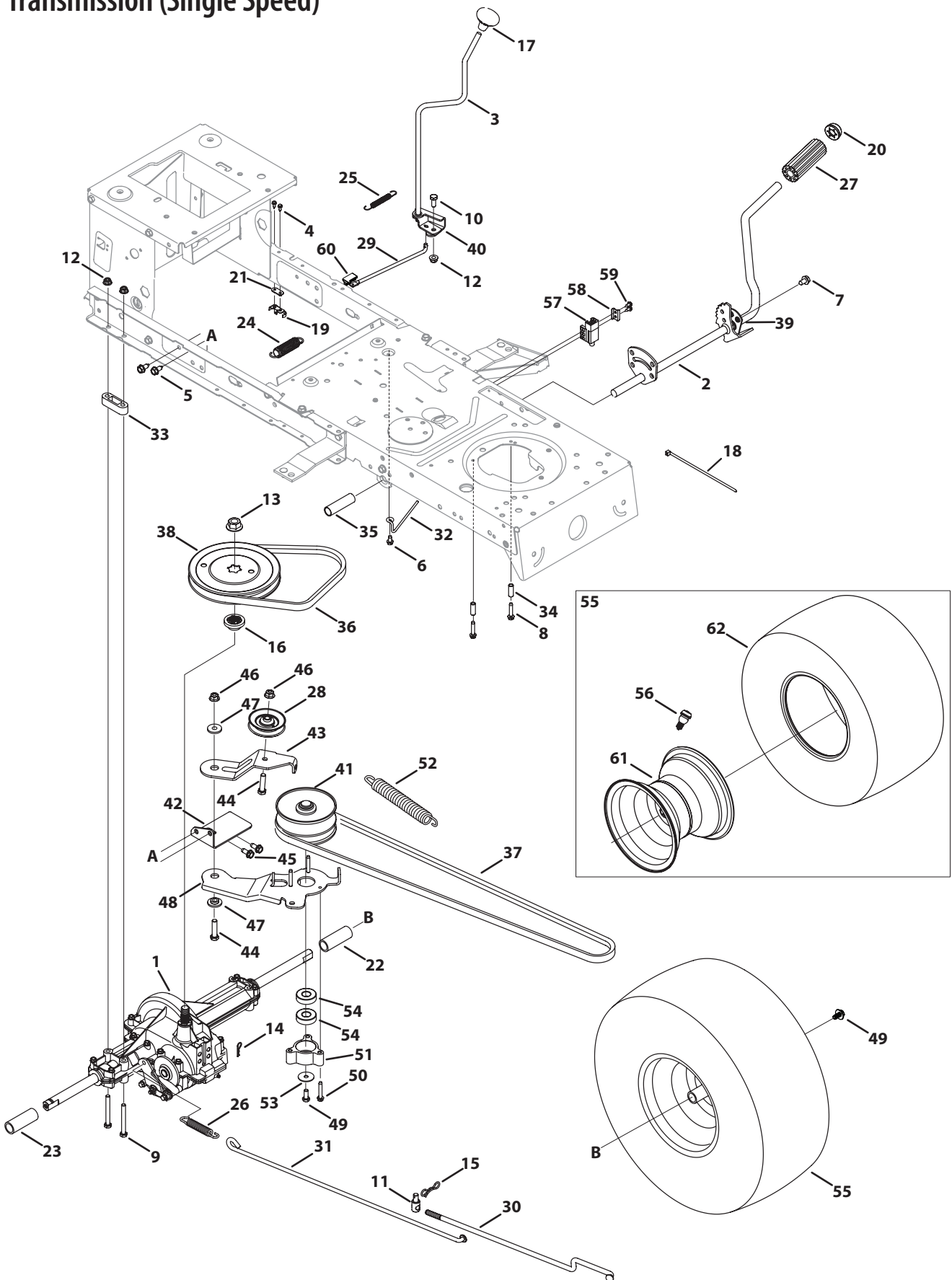
# Seat and Fender



Ref.	Part Number	Description
1	710-05070	Screw, 1/4-20 x .500
2	710-04484	Screw, 5/16-18 x .750
3	710-0599	Screw Pan Torx Head, 1/4-20 x .500
4	731-04591A	Cup Holder
5	736-0607	Loack Washer, 5/16
6	783-04587D	Fender
7	783-04843	Lift Adjuster Bracket
8	783-1489D	Seat Mount Bracket
9	712-04063	Flangelock Nut, 5/16-18
10	732-1184	Extension Spring
11	936-0108	Flat Washer, .510x .750 x .033
12	736-0242	Bell Washer, .340 x .872 x .060
13	938-0296	Shoulder Screw, 5/16-18 x .437 x .268
14	783-0209D	Lift Seat Bracket
15	783-04081D	Pivot Seat Manual Adjust Bracket
16	710-04482	Hex Head Flange, 3/8-16 x .875
17	710-0134	Screw Carriage, 1/4-20 x .62
18	720-04061	Knob, 3/8-16 x .875
19	735-04047	Foot Pad, LH
	723-04026	Foot Pad, Abrasive, LH
20	735-04048	Foot Pad, RH
	723-04025	Foot Pad, Abrasive, RH
21	726-3046	Ratchet Clip, .250 x .500
22	710-0227	Screw, 8-18 x .500
23	726-0279	Insulator Plate
24	925-1303	Outer Seat SPring
25	726-0278	Insulator Boss Plate
26	725-1439	Inner Seat Spring
27	757-04083A	Medium Back Seat, Black, Set-up B
	757-04099	Low Back Seat, Black, Set-up B or C
	757-04088A	High Back Seat, Set-up B

**NOTE:** Tractor features vary by model. NOT all parts listed above and pictured on the previous page are standard equipment.

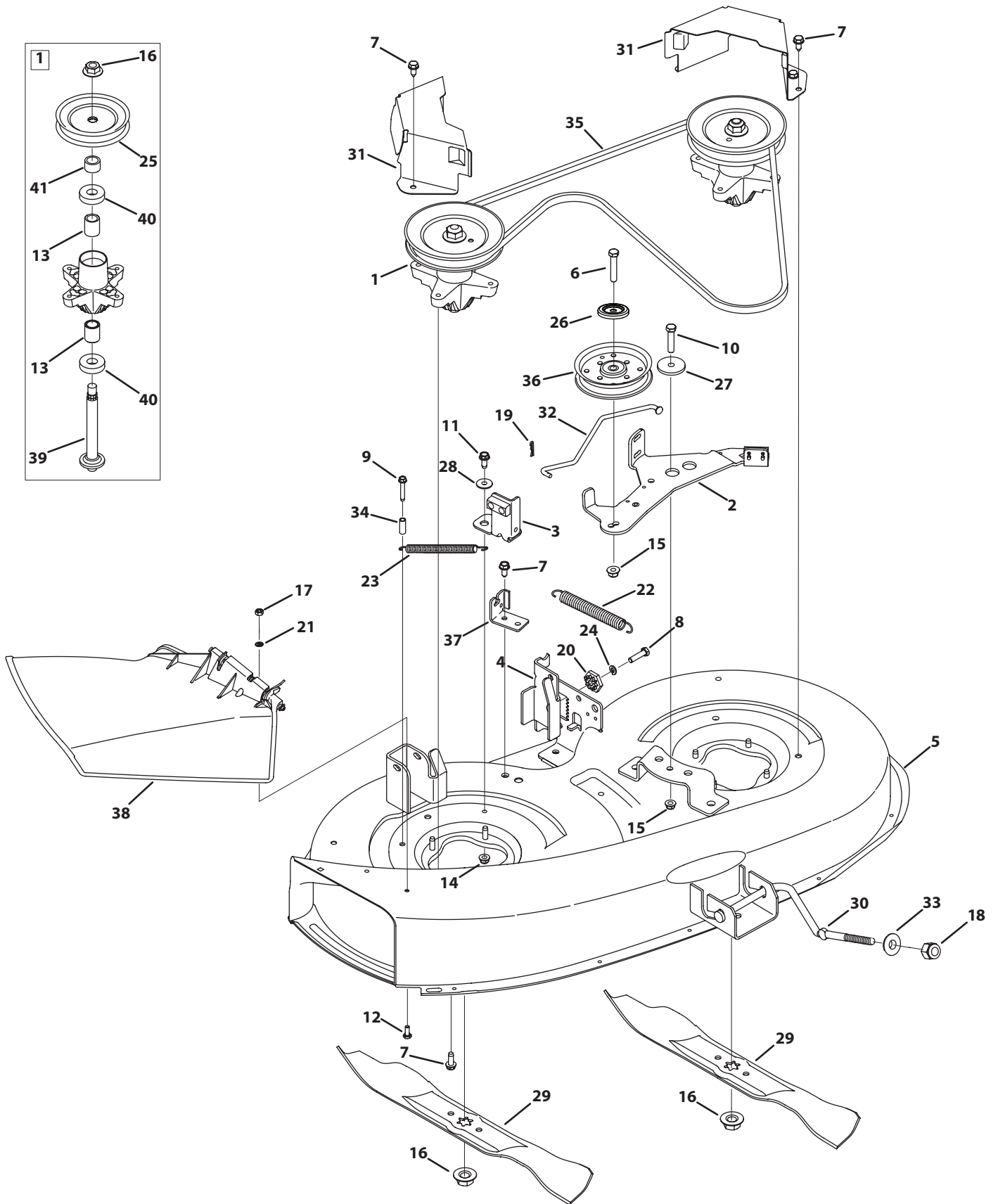
# Transmission (Single Speed)



Ref.	Part Number	Description	Ref.	Part Number	Description
1	918-04566	Transmission Drive Assembly	35	750-0802	Spacer, .640 ID x .76 OD x 2.63
2	647-04034C	Pedal Assembly	36	954-04285	Belt-V Type 5L x 34.91, 38"
3	647-04266	Shaft Lever Assembly		954-0241A	V Belt, 5L 35.25 POLY, 42"
4	710-0227	Screw, 8-18:0.500	37	954-04249A	V Belt, 5L 70.90 POLY
5	710-04484	Screw, 5/16-18 x .750	38	756-04464	V Pulley 6.56 DIA SPUN, 38"
6	710-0599	Screw, 1/4-20 x 0.500		956-04002	V Pulley 7.25 DIA SPUN, 42"
7	710-0604A	Screw, 5/16-18 x 0.625	39	783-04536B	Pedal Support Bracket
8	710-0809	Screw, 1/4-20 x 1.250	40	783-04595A	Shaft Adjust Bracket
9	710-1266	Hex Screw, 5/16-18 x .625	41	956-04015A	Variable Speed Pulley Assembly
	710-0176	Hex Screw, 5/16-18 x 2.75	42	683-04176A	Transmission Bracket Assembly
10	710-3008	Hex Screw, 5/16-18 x .75	43	683-04207	Idler Bracket Assembly
11	711-06103	Ferrule, 3/8-24 X .375 DIA.	44	710-0347	Hex Screw, 3/8-16 x 1.75
12	712-04063	Flangelock Nut, 5/16-18	45	710-1260A	Screw, 5/16-18 x 0.750
13	712-0700	Flange Nut, 9/16-18	46	712-04065	Flangelock Nut, 3/8-16
14	914-0209	Cotter Pin INT- .125 DIA	47	938-0347	Shoulder Spacer, .625 ID x .169
15	714-04040	Bow-Tie Cotter Pin, 72	48	753-05147	Bracket Assembly
16	718-04407	Pulley Hub, 5/8 SPLINE	49	710-05339	Screw, 5/16-24 x .750
17	720-04028	Shift Knob	50	710-0778	Screw, 1/4-20 x 1.500
18	725-0157	Cable Tie	51	718-04261	Bearing Cup
19	725-1644	Short Spring Switch	52	732-04746	Extension Spring, .94 OD x 6.75 LG
20	726-0214	Push Cap, 5/8	53	736-0362	Flat Washer, .330 x 1.25 x .06:HT
21	926-0320	Plate Insulator Nut	54	941-0600	Ball Bearing, 17 x 40 x 12
22	731-04602	Sleeve, .758 x .821 x 3.3125	55	634-04324	Wheel, 20 x 8 x 8, 42" Round Tred
23	731-04604	Sleeve, .758 x .821 x 2.4375		634-0104	Wheel, 20 x 8 x 8, 42" Sq. Tred
24	732-04306	Spring Extension, .80 OD x 3.28 LG		734-0592	Wheel, 18 x 6.5, 38"
25	732-04488	Spring Extension, .38 OD x 3.25 LG	56	934-0255	Valve, tubeless Air
26	732-0716D	Spring Extension, .59 OD x 4.00 LG	57	725-04363	Switch Interlock
27	735-0239	Foot Pad, 4.0 LONG	58	17962	Plate Switch
28	756-04325	Idler Pulley	59	738-04237A	Shoulder Screw, #10-32 x .500
29	747-05243	Shift Rod, 38"	60	731-06894	Shift Plate Bearing
	747-05244	Shift Rod, 42"	61	634-04369	Rim, 8.0 x 7.0 x .750, 42"
30	747-05186	Variable Speed Control Rod		634-04174	Rim, 8.0 x 5.38, 38"
31	747-05188	Brake Rod	62	734-1730	Tire, 20 X 8 X 8 Sq Shldr, 42
32	747-04969	Belt Keeper Rod		734-04241-0901	Tire, 20 X 8 X 8 Rd Shldr, 42"
33	948-0334	Spacer, T-Axle, 38" Only		734-0294	Tire, 18 x 6.5 x 8, 38"
34	750-0566A	Spacer, .260 x .375 x 1.030 LG			

**NOTE:** Tractor features vary by model. NOT all parts listed above and pictured on the previous page are standard equipment.

# 38" Deck



Ref.	Part Number	Description	Ref.	Part Number	Description
1	918-04474A	5.75" Pulley Spindle Assembly	22	732-04280B	Extension Spring, .75 x 6.375
2	683-04138B	Deck Brake Assembly	23	732-04287	Extension Spring, .500 x 6.375
3	983-04167	Deck Brake Assembly	24	936-0119	Lock Washer, 5/16
4	683-0254B	LH Deck Hanger Bracket	25	756-1188	Deck Pulley, 5.75
5	983-04263	38" Deck Assembly	26	783-07236	Pulley Cap
6	710-0347	Hex Screw, 3/8-16 x 1.75	27	738-04162C	Shoulder Spacer, .8840 x .190
7	710-04484	Screw, 5/16-18 x .750	28	738-04166	Shoulder Spacer, .5000 x .1475
8	710-0528	Hex Screw, 5/16-18 x 1.25	29	942-0610A	3 in 1 Blade
9	710-0778	Screw, 1/4-20 x 1.50	30	747-04322	38" Front Adjust Deck Rod
10	710-3005	Hex Screw, 3/8-16 x 1.25	31	783-04602A	Belt Cover
11	710-3008	Hex Screw, 5/16-18 x .75	32	747-04381	38" Brake Control Rod
12	710-0751	Hex Screw, 1/4-20 x .62	33	748-04069	Deck Lift, Pivot Cup
13	750-1000	Spacer, .80 x 1.10 x 1.322 LG	34	750-0566A	Spacer, .260 x .375 x 1.030
14	712-04063	Flangelock Nut, 5/16-18	35	954-04062	V Type Belt
15	712-04065	Flangelock Nut, 3/8-16	36	756-04129B	Idler Pulley
16	712-0417A	Flange Nut, 5/8-18	37	783-04740	Deck Engage Cable Bracket
17	712-04064	Flangelock Nut, 1/4-20	38	931-1032B	Chute Assembly
18	712-04243	Flangelock Nut, 1/2-13	39	938-04241	Spindle Shaft, 5.50
19	914-0104	Cotter Pin, .072 Diameter	40	941-0919A	Ball Bearing, .787ID x 1.85 OD x .551
20	917-04074	Deck Adjuster Gear	41	750-04739	Spacer, .820 x 1.150 x .480 LG
21	726-0233	Push Nut, .25 x .50			

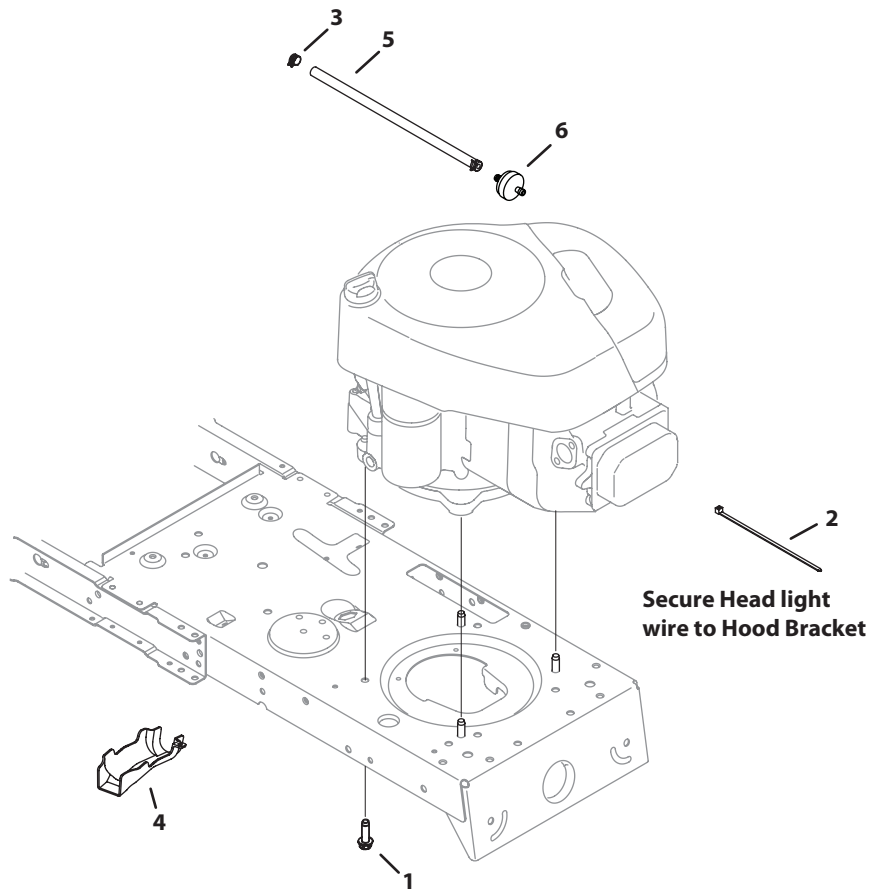
**NOTE:** Tractor features vary by model. NOT all parts listed above and pictured on the previous page are standard equipment.





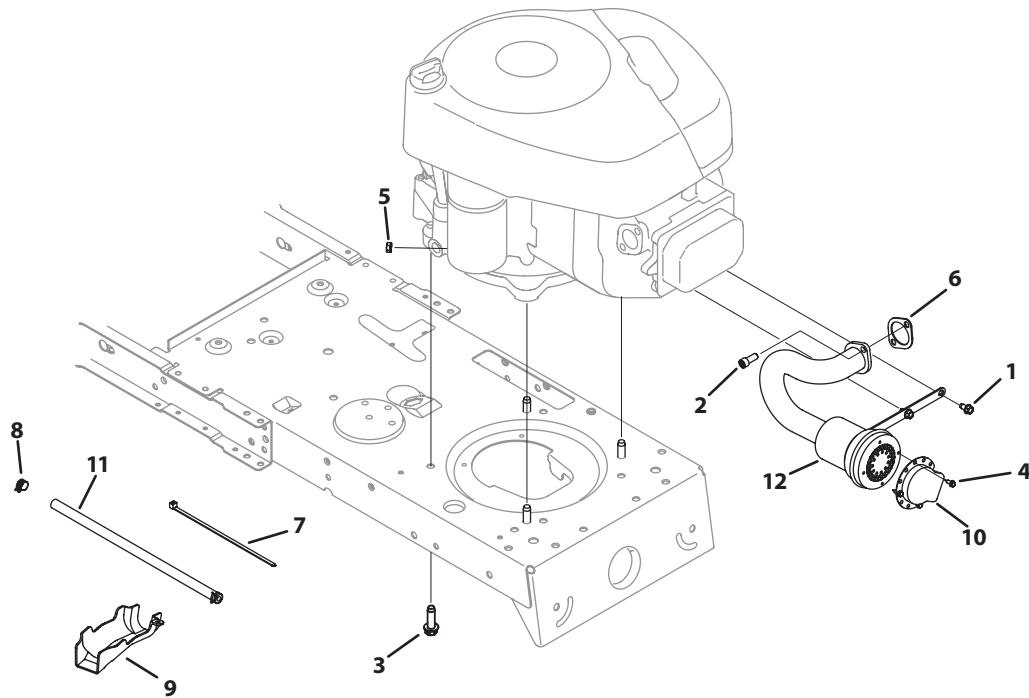
Ref.	Part Number	Description	Ref.	Part Number	Description
1.	918-04822A	Spindle Ass'y, Pulley, 6.3 Dia	29.	936-0344	Washer, Flat, .385 X 1.0 X .030
2.	683-0254B	Bracket Ass'y, Deck, Hanger LH	30.	710-0376	Hex Cap Screw, 5/16-18 x 1.00
3.	983-04511	Brake Ass'y, Deck, 42/46	31.	720-05010	Cap, .290 x .500
4.	983-04525	Brake Ass'y, Deck, 46"	32.	736-0262	Washer, Flat, .385 x .870 x .092
5.	983-04572A	Deck Ass'y, Offset, 42" W/O wheel	33.	750-04936	Spacer, .792 x 1.060 x 1.860
	983-04570A	Deck Ass'y, Offset, 42" W/O wheel	34.	783-06643	Bracket, Support, Stationary Idler
6.	710-04484	Screw, Self-tapping, 5/16-18, .750	35.	748-04069	Deck Lift Pivot Cup
7.	710-3005	Hex Screw, 3/8-16, 1.25, Gr5, Std	36.	738-04162C	Spacer, Shoulder, .8840 x .190
8.	710-0528	Hex Screw, 5/16-18, 1.25, Gr5, Std	37.	748-04272	Shoulder Spacer
9.	710-0599	Screw, Self-tapping, 1/4-20, 0.500	38.	938-3056	Bolt, Shoulder, .496 x 2.50, 3/8-16
10.	936-3039	Flat Washer, .406 x 1.500 x .105	39.	942-04308	Blade, Cut, 21.23" 2-In-1, Econ
11.	710-0642	Screw, Self-tapping, 1/4-20, .750	40.	747-05323	Rod, Keepr, Belt 42 Idler
12.	710-3144	Hex Screw, 3/8-16, 2.00, Gr5, Std	41.	747-05141A	Rod, Lift, Deck, Frt, 12.7
13.	710-3178	Bolt, Carriage, 3/8-16, 0.75, Gr1	42.	747-05105B	Rod, Control, Brake 42"
14.	712-0229	Nut, Push, 3/8	43.	631-04288	Chut Assembly, 42" Deck
15.	712-04063	Nut, Flange Lock, 5/16-18, Grf	44.	783-06424A	Deck Belt Cover, 42
16.	712-04065	Nut, Flange Lock, 3/8-16, Grf	45.	936-0351	Washer, Flat, .760 Idx1.50 OD
17.	712-0417A	Nut, Flange, 5/8-18	46.	738-1186A	Shift, Spindle, 6.11.
18.	712-04243	Nut, Lock, 1/2-13	47.	954-04060B	Belt, V Type, A Sec X 96.5
19.	731-07487	Deck Wash Nozzle	48.	756-04129B	Pulley, Idler, 4.25"Dia
20.	714-04043	Bow-Tie Cotter Pin	49.	711-04847B	Pin, Hinge, Dia .3125 x 7.96
21.	783-06074A	Chute Bracket	50.	956-1227	Pulley, Deck, 6.3 Dia
22.	917-04074	Gear, Deck, Adjustment	51.	732-04372	Spring, Torsion, .44 I.D. X 2.0
23.	932-0384	Spring, Extension, .62 Dia x 6.12	52.	783-05946	Pivot idler Bracket, 46
24.	783-07236	Pulley Cap	53.	783-06243	Bracket, Cable, Deck Engage
25.	732-04840	Spring, Torsion, .992 ID X 1.17 OD	54.	783-06368	Bracket, Guard, Belt, 4.25 Pulley
26.	734-04155	Wheel, Deck, 5.0 Dia Ball	55.	921-04041	Water Nozzle Adapter
27.	936-0119	Washer, Lock, 5/16, Regular Duty	56.	738-04278	Shoulder Screw, 1/4-20 x 0.50
28.	941-0919A	Bearing, Ball, .787id x 1.85 Odx.551	57.	783-06464	Deck Wash Plug

**NOTE:** Tractor features vary by model. NOT all parts listed above and pictured on the previous page are standard equipment.



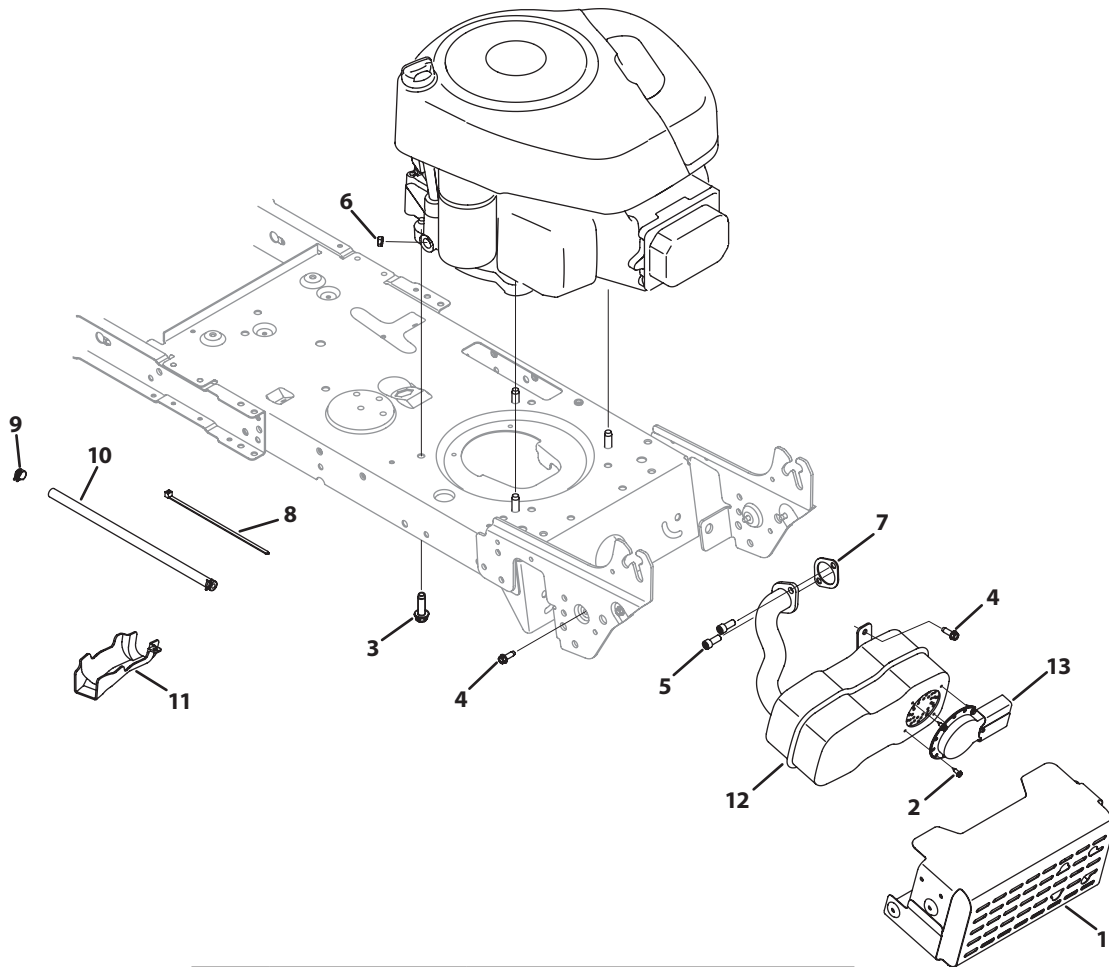
Ref.	Part Number	Description
1	710-04683A	Screw, 3/8-16 x 1.0
2	725-0157	Cable Tie
3	726-0205	Clamp Hose, .490 diameter
4	731-05628	Oil Drain Sleeve
5	751-10349-28	Fuel Hose, Low Permeation
6	BS-298090S	Fuel Filter

NOTE: Tractor features vary by model. NOT all parts listed and pictured above are standard equipment.



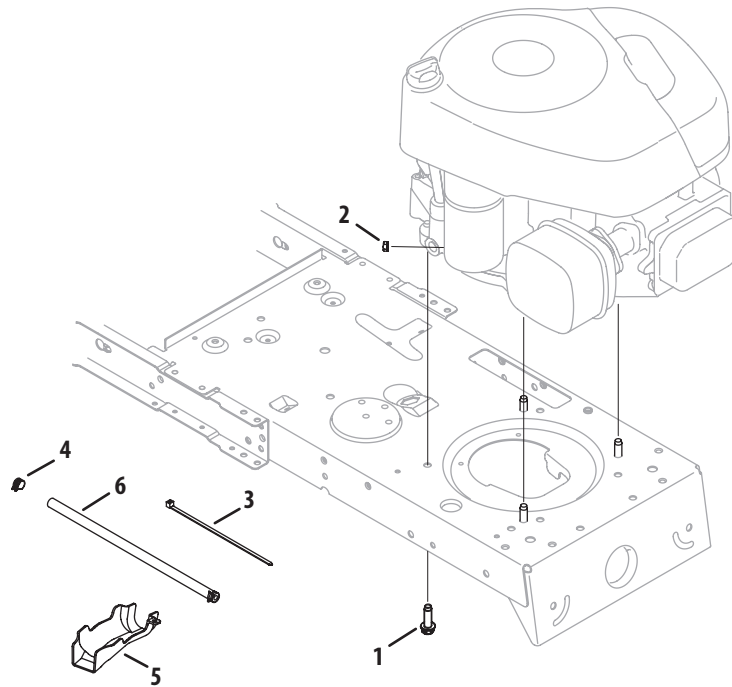
Ref.	Part Number	Description
1	710-0599	Screw, 1/4-20 x .500
2	710-1314A	Socket Screw, 5/16-18 x .750
3	710-04683A	Screw, 3/8-16 x 1.0
4	710-0227	Screw, 8-18 x .500
5	712-0271	Sems Nut, 1/4-20
6	BS-692236	Exhaust Gasket, 10 HP Briggs
7	725-0157	Cable Tie
8	726-0205	Clamp Hose, .490 diameter
9	731-05628	Oil Drain Sleeve
10	751B222261	Muffler Deflector
11	751-10349-28	Fuel Hose, Low Permeation
12	751-9986A	Muffler

NOTE: Tractor features vary by model. NOT all parts listed and pictured above are standard equipment.



Ref.	Part Number	Description
1	683-04549	Muffler Shield Assembly with Weld
2	710-0227	Screw, 8-18 x .500
3	710-04683A	Screw, 3/8-16 x 1.0
4	710-0642	Screw, 1/4-20 x .750
5	710-1314A	Socket Screw, 5/16-18 x .750
6	712-0271	Sems Nut, 1/4-20
7	BS-692236	Exhaust Gasket, 10 HP Briggs
8	725-0157	Cable Tie
9	726-0205	Clamp Hose, .490 diameter
10	751-10349-28	Fuel Hose, Low Permeation
11	731-05628	Oil Drain Sleeve
12	751-10448D	Muffler, Single Inlet
13	751-11053A	Muffler Deflector Long

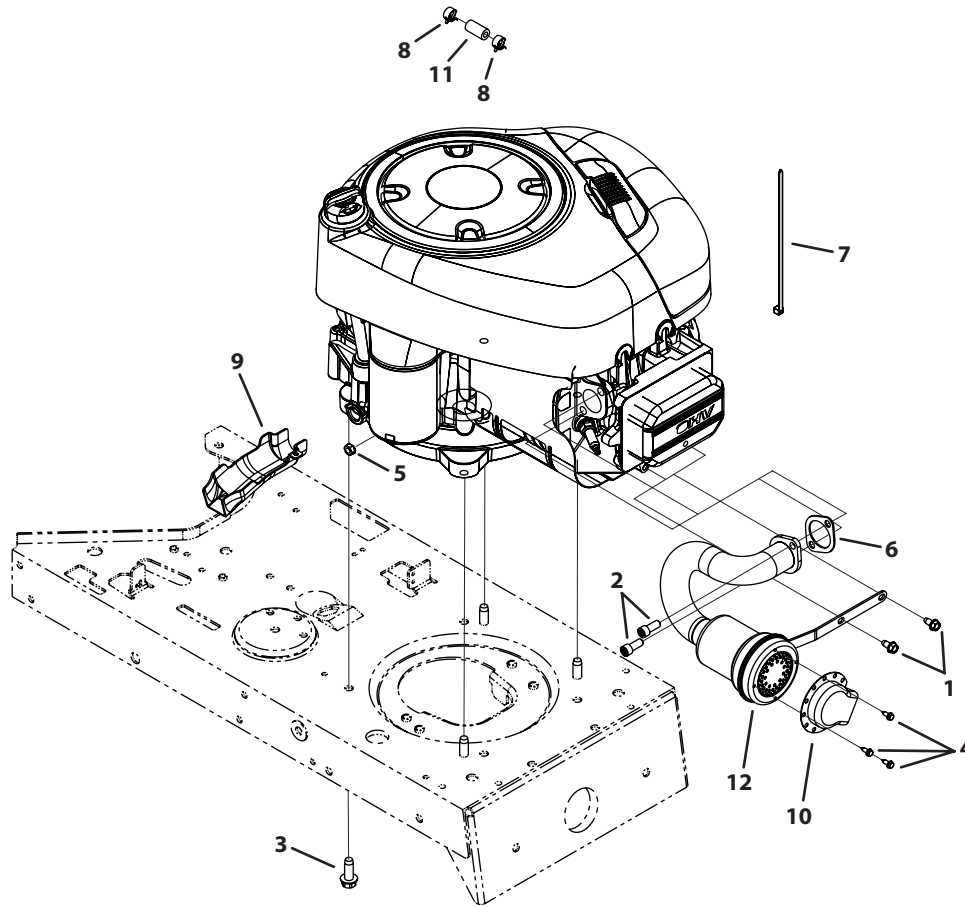
NOTE: Tractor features vary by model. NOT all parts listed and pictured above are standard equipment.



Ref.	Part Number	Description
1	710-04683A	Screw, 3/8-16 x 1.0
2	712-0271	Sems Nut, 1/4-20
3	725-0157	Cable Tie
4	726-0205	Clamp Hose, .490 diameter
5	731-05628	Oil Drain Sleeve
6	751-10349	Fuel Hose, Low Permeation

NOTE: Tractor features vary by model. NOT all parts listed and pictured above are standard equipment.

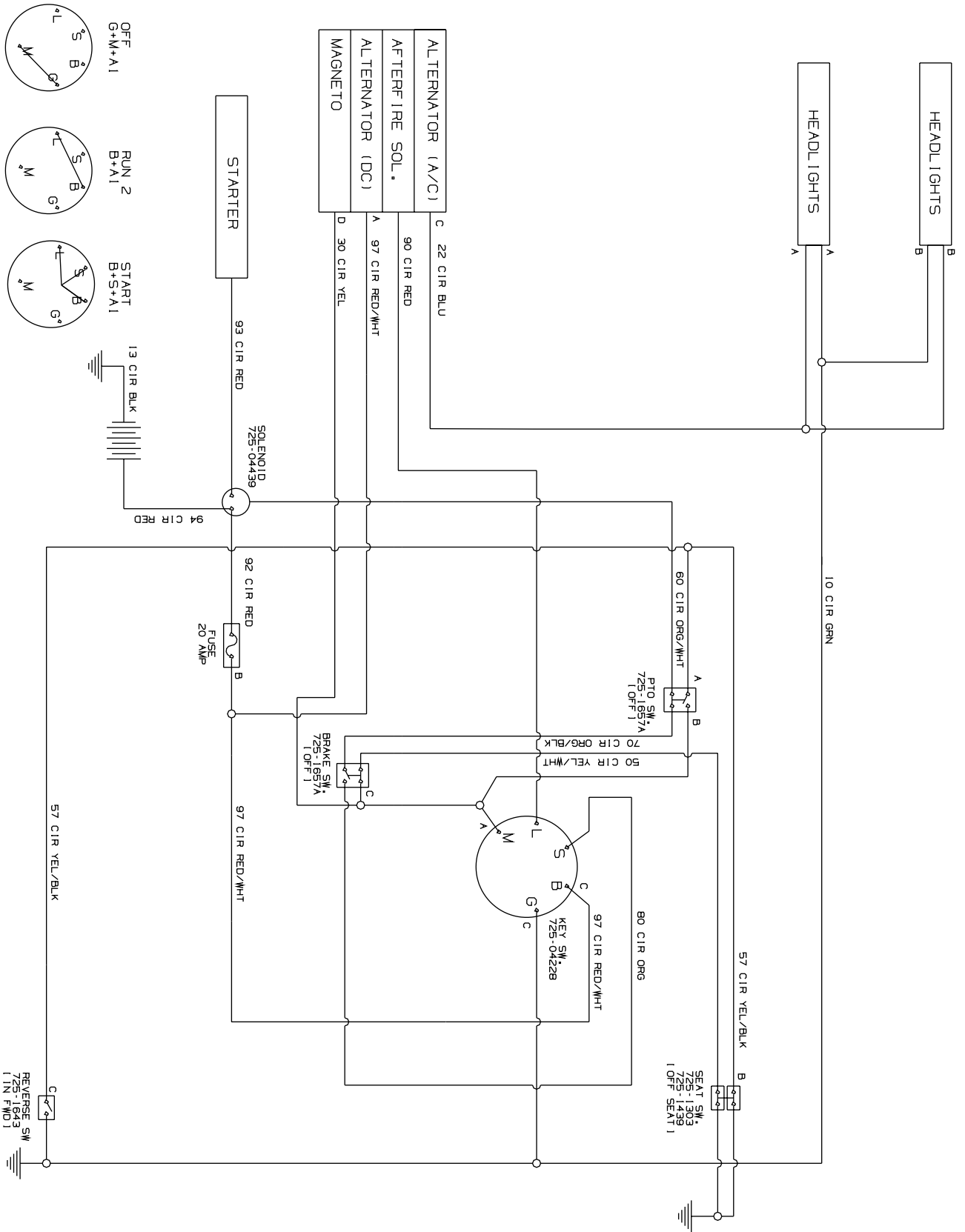
# B&S Model 31 with Bug Muffler



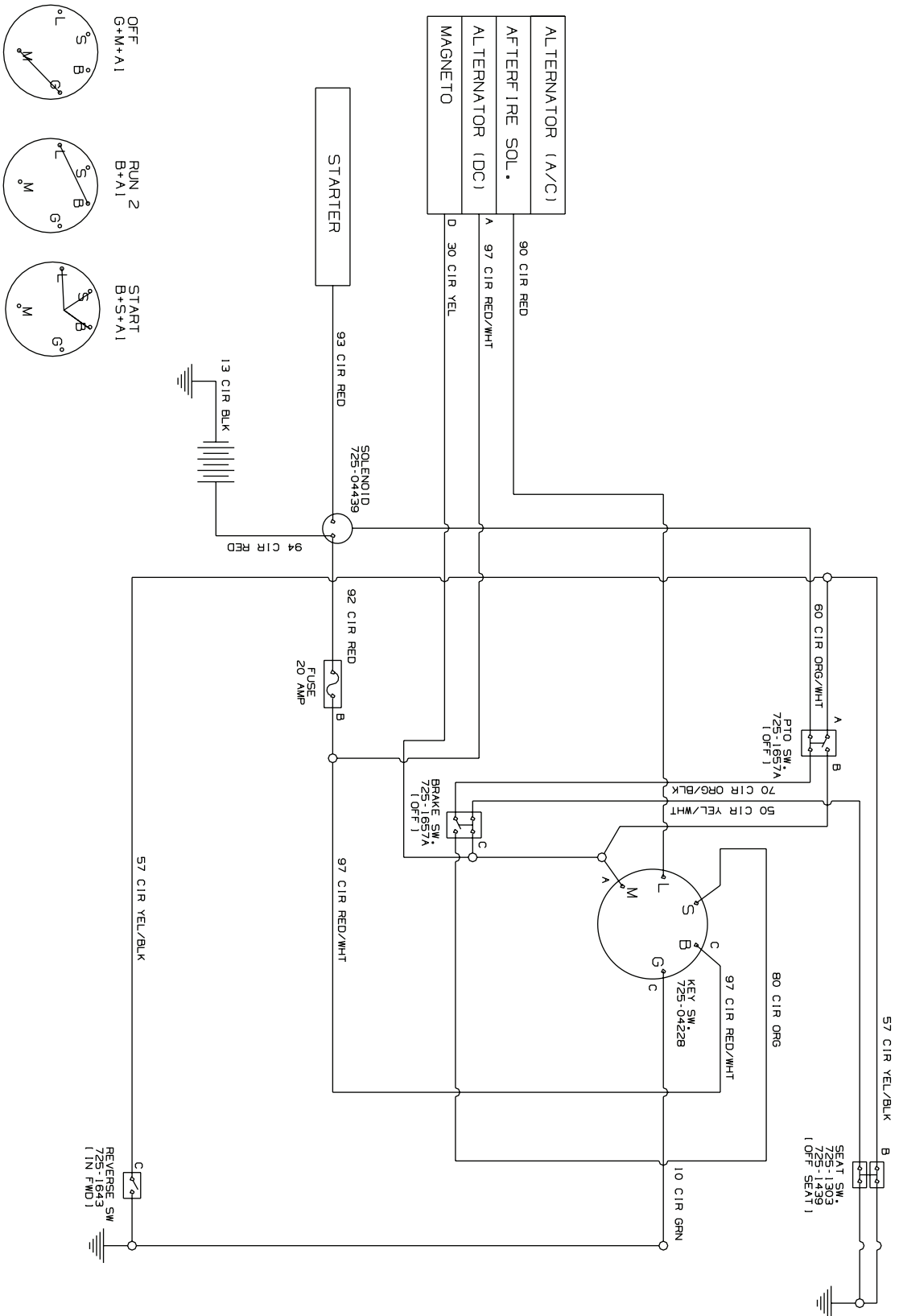
Ref.	Part Number	Description
1	710-0599	Screw, 1/4-20 x .500
2	710-1314A	Socket Screw, 5/16-18 x .750
3	710-04683A	Screw, 3/8-16 x 1.000
4	710-0227	Screw, 8-18 x .500
5	712-0271	Sems Nut, 1/4-20
6	BS-692236	Exhaust Gasket, 10 HP Briggs
7	725-0157	Cable Tie
8	726-0205	Hose Clamp, .490 Diameter
9	731-05628	Oil Drain Sleeve
10	751B222261	Muffler Deflector
11	751-10349-28	Fuel Hose, Low Permeation
12	751-12091	Muffler

NOTE: Tractor features vary by model. NOT all parts listed and pictured above are standard equipment.

# Wiring Harness Schematic - 725-04567G



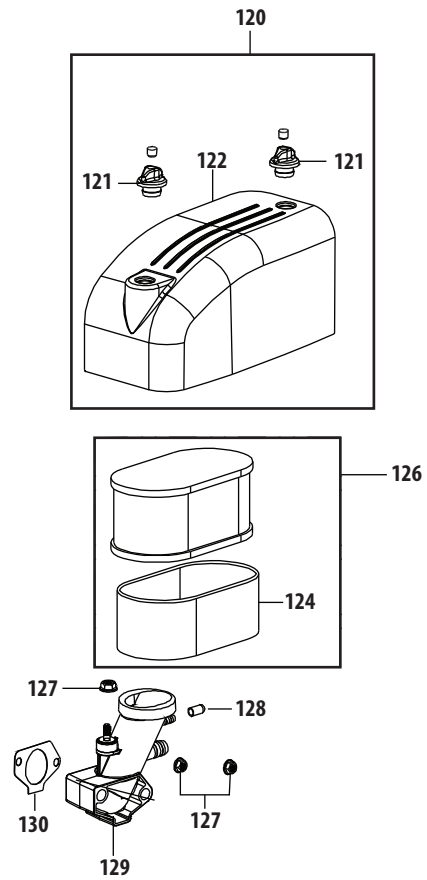
# Wiring Harness Schematic - 725-04849C



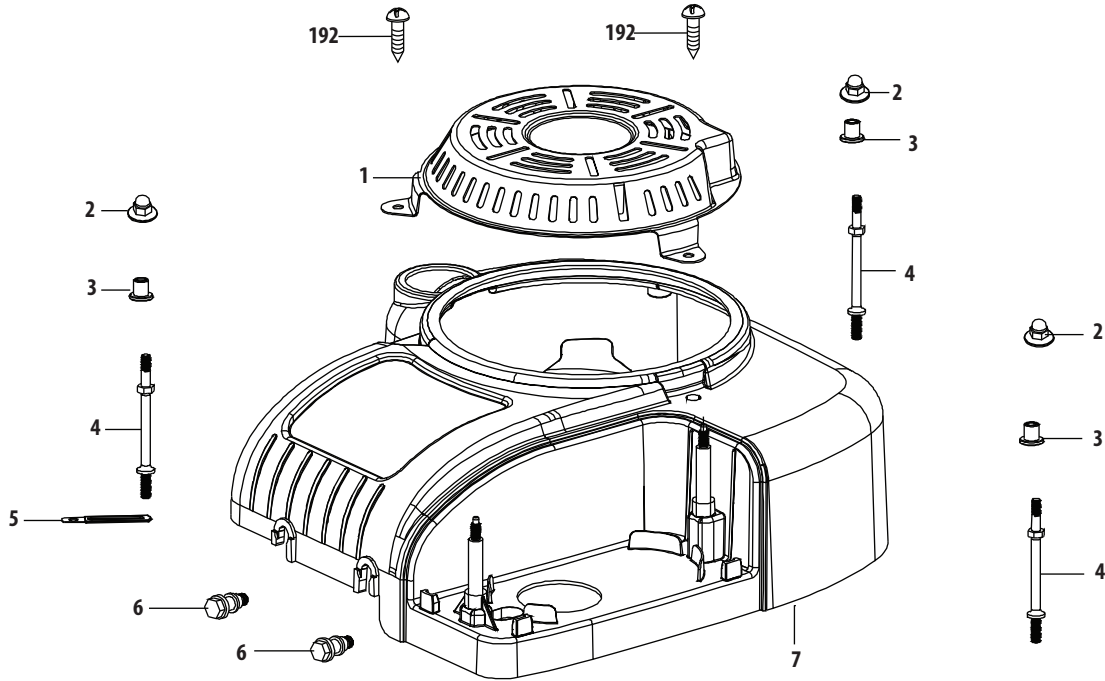




# 4P90JUB Air Intake

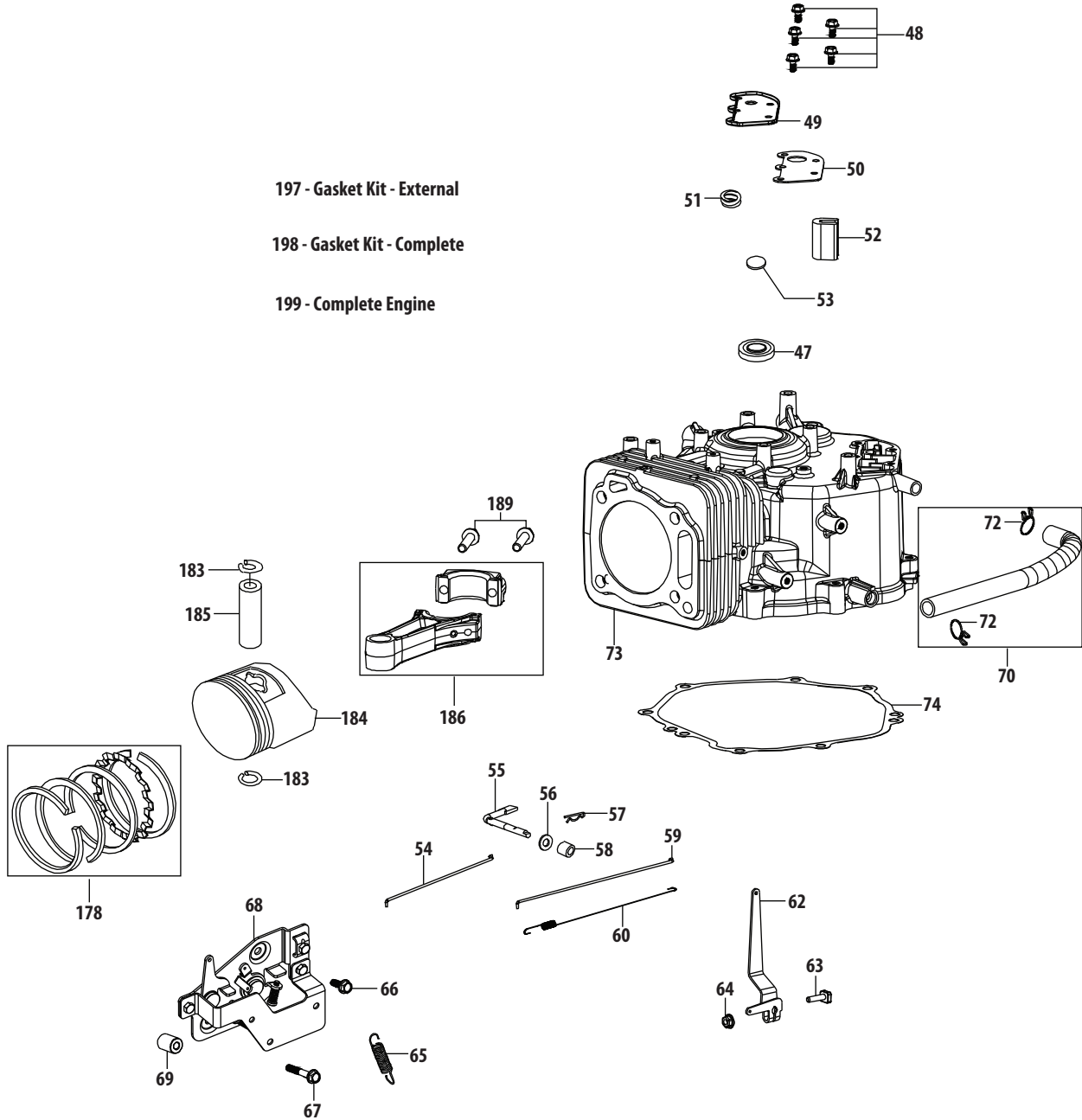


Ref.	Part Number	Description
120	951-14458	Air Filter Cover Assembly
121	951-14466	Air Filter Lock Nut
122	951-12255	Air Filter Cover
124	951-12256	Sponge Filter
126	951-12260	Air Filter Assembly
127	712-04212	Nut M6
128	951-12328	Rubber Cap
129	951-12257	Manifold
130	951-12258	Manifold Gasket



Ref.	Part Number	Description
1	951-12205	Debris Shield
2	712-04290	Nut
3	750-05320	Engine Shroud Spacer
4	951-14454	Starter / Shroud Stud M6x99
5	951-11622	Flexible Clamp
6	710-05305	Hook Bolt
7	751-14455	Air Shield
192	710-05303	Self-Tapping Bolt 5.5x25

# 4P90JUB Crankcase



197 - Gasket Kit - External

198 - Gasket Kit - Complete

199 - Complete Engine

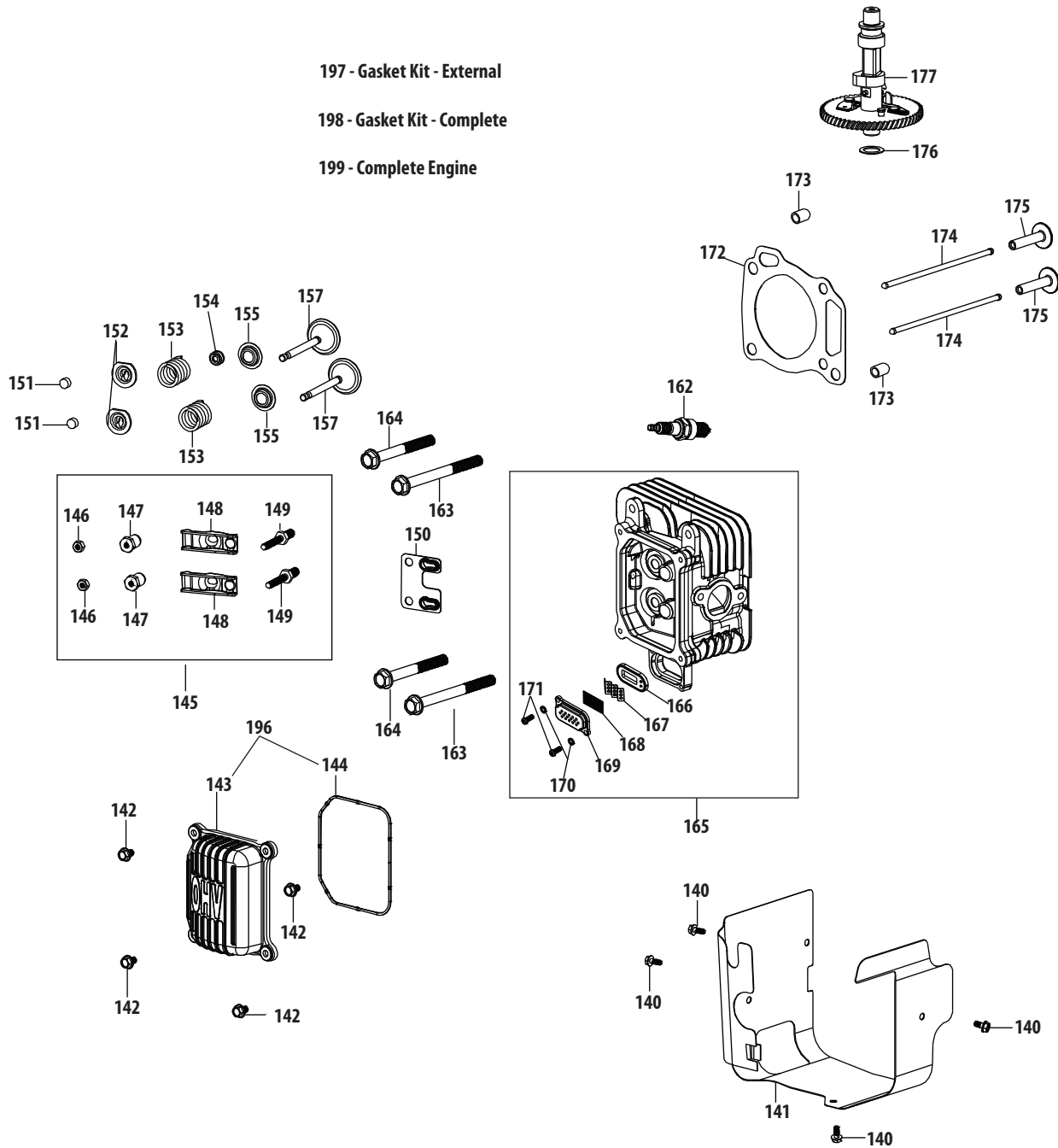
Ref.	Part Number	Description	Ref.	Part Number	Description
47	951-11499	Upper Crankshaft Seal	69	750-05530	Component Bracket Spacer
48	710-04916	Bolt M6x14	70	951-12235	Breather Hose Assembly
49	951-14456	Breather Cover Plate	72	951-12236	Breather Hose Clamp
50	951-12226	Breather Gasket	73	951-14462	Short Block Assembly (Incl.37,47-53,55-58,73-77,84,86,87-89, 91-93,98-104,112,113,115-119,137-138, 144,160,172,173,175-178,183-186)
51	951-12685	Umbrella Valve	74	951-12237	Crankcase Cover Gasket
52	951-12227	Mesh Screen	178	951-12275	Piston Ring Set
53	951-12686	Umbrella Valve Set	183	951-11953	Piston Pin Snap Ring
54	951-12228	Choke Linkage	184	951-12276	Piston
55	951-12229	Governor Arm Shaft	185	951-11954	Piston Pin
56	736-04558	Governor Washer	186	951-12277	Connecting Rod Assembly
57	714-04074	Governor Cotter Pin	189	710-05319	Connecting Rod Bolt
58	951-11574	Governor Seal	197	951-12201	Gasket Kit - External (Incl.113,130,136,137,138,114,160)
59	951-12230	Throttle Linkage	198	951-12204	Gasket Kit - Complete (Incl.47,50,58,74,113,118,130, 136,137,138,144,160,172)
60	951-12231	Throttle Linkage Spring	199	952Z4P90JUB	Complete Engine
62	951-12232	Governor Arm			
63	710-04908	Governor Arm Bolt			
64	712-04212	Governor Arm Nut M6			
65	951-12233	Governor Spring			
66	710-04979	Bolt M6x18			
67	710-05310	Bolt M6x38			
68	951-14457	Component Bracket/Separate			

# 4P90JUB Cylinder Head

197 - Gasket Kit - External

198 - Gasket Kit - Complete

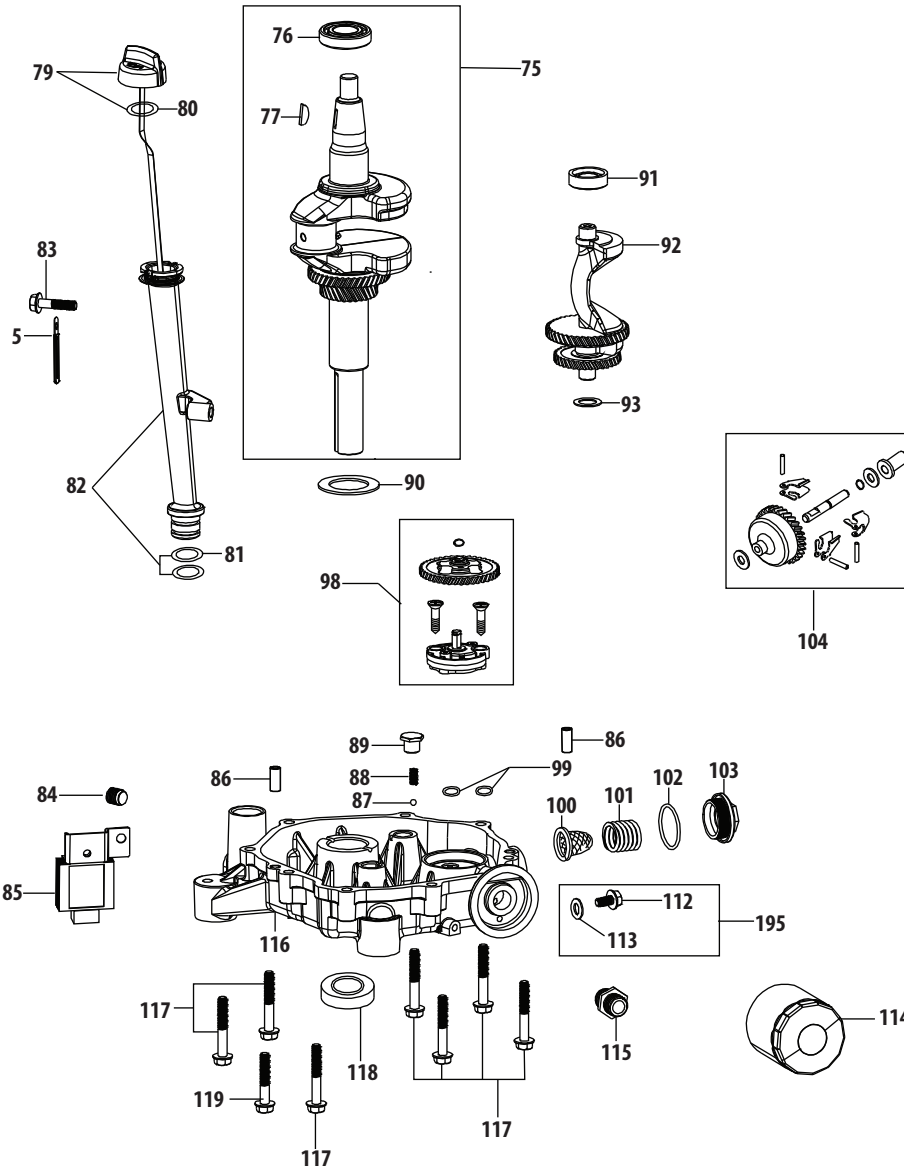
199 - Complete Engine



## 4P90JUB Cylinder Head

Ref.	Part Number	Description	Ref.	Part Number	Description
140	710-05315	Bolt M5×10		951-14463	Cylinder Head Asm (Incl.137-139,144,146-159, 161-163,165-170)
141	951-12265	Cowl			
142	710-05316	Valve Cover Bolt	166	951-14460	Air Valve Core
143	951-12266	Valve Cover	167	951-12775	Strainer Clip
144	951-12267	Valve Cover Ring	168	951-12776	Second Air Valve Filter Element
145	951-11981	Rocker Arm Assembly	169	951-12777	The Air Valve Bonnet
146	751-11124	Jam Nut	170	736-04629	Washer
147	751-11123	Fulcrum Nut	171	710-05337	Screw M5×12
148	951-11966	Rocker Arm	172	951-12273	Cylinder Head Gasket
149	710-04962	Rocker Arm Stud	173	715-04122	Cylinder Head Dowel 12×16
150	951-12268	Push Rod Guide	174	951-11335	Push Rod Kit
151	951-12269	Exhaust Valve Adjuster	175	951-11962	Tappet
152	951-12080	Exhaust Valve Spring Retainer	176	736-04561	Camshaft Thrust Washer
153	951-12078	Valve Spring	177	951-12274	Camshaft Assembly
154	951-11964	Intake Valve Seal	196	951-12197	Valve Cover Kit
155	951-12077	Valve Spring Retainer	197	951-12201	Gasket Kit - External (Incl.113,130,136,137,138,114,160)
156	951-11337	Valve Kit			
157	951-11337	Valve Kit	198	951-12204	Gasket Kit - Complete (Incl.47,50,58,74,113,118,130, 136,137,138,144,160,172)
162	951-10292	Spark Plug/F6Rtc	199	952Z4P90JUB	Complete Engine
163	710-05317	Bolt M10×1.25×85			
164	710-05318	Bolt /M10×1.25×65			
165	951-12202	Cylinder Head Kit (Incl.144,154,163,164,172)			

# 4P90JUB Crankshaft & Crankcase Cover



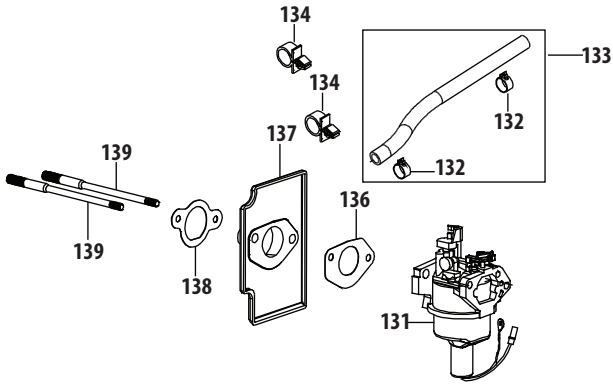


## 4P90JUB Crankshaft & Crankcase Cover

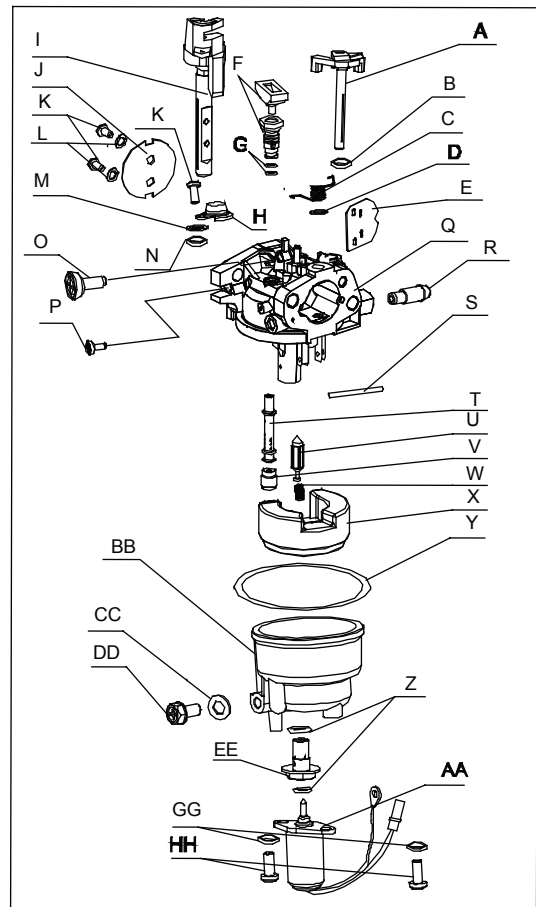
Ref.	Part Number	Description
5	951-11622	Flexible Clamp
75	951-12238	Crankshaft Assembly
76	951-11969	Main Bearing
77	951-10307	Woodruff Key
79	951-12239	Dipstick Assembly
80	951-12241	Upper O-Ring
81	951-12363	Lower O-Ring
82	951-12240	Oil Fill Tube Assembly
83	710-04980	Bolt M6×35
84	710-05311	Oil Drain Plug
85	951-12242	Regulator
86	715-04121	Dowel Pin 8×14
87	951-12243	Ball 6.35
88	951-12244	Spring
89	710-05312	Bolt
90	736-04557	Crankshaft Thrust Washer
91	951-12245	Balanceable Shaft Bearing
92	751-12246	Balanceable Shaft Assembly
93	736-04559	Balanceable Thrust Washer

Ref.	Part Number	Description
98	951-12248	Oil Pump Assembly
99	951-12247	O-Ring 10×2.65
100	951-12249	Filter
101	951-12250	Filter Spring
102	951-12251	O-Ring 35.5×2.65
103	951-12252	Filter Cover
104	951-11956	Governor Gear/Shaft Assembly
112	710-05313	Bolt M8×15
113	736-04560	Oil Drain Plug Washer
114	951-12690	Oil Filter
115	951-12253	Screw Joint
116	951-12254	Crankcase Cover
	951-12318	Crankcase Cover Asm (Incl.87,88,89,100,101,102, 103,104,112,113,115,116)
117	710-04982	Bolt M8×54
118	951-11375	Lower Crankshaft Seal
119	710-05314	Bolt M8×43
195	951-12194	Oil Drain Plug Assembly

# 4P90JUB Carburetor Assembly



200 - Carburetor Kit - Major

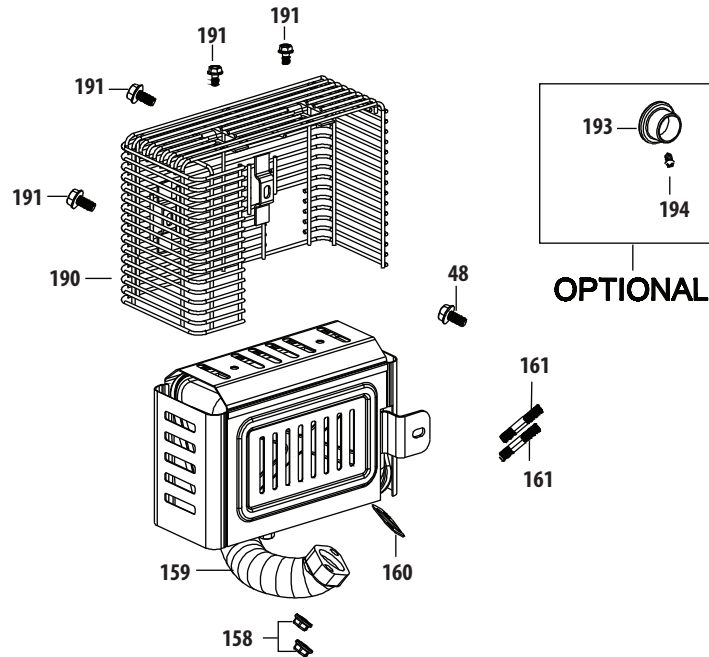


## 4P90JUB Carburetor Assembly

Ref.	Part Number	Description
131	951-12771A	Carburetor Assembly
132	951-11731	Fuel Hose Clamp
133	951-11336	Fuel Line Kit
134	723-04071	Plastic Support Clamp
136	951-12261	Carburetor Gasket
137	951-12262	Carburetor Insulator
138	951-12263	Carburetor Insulator Gasket
139	951-12264	Carb Stud
200	951-14179	Carburetor Kit - Major (Incl.130,136,138,F,G,S,T,U,V,W,X,Y,Z)
A	n/a	Choke Shaft
B	n/a	Choke Shaft Fiber O-Ring
C	n/a	Choke Return Spring
D	n/a	Flat Steel Washer
E	n/a	Choke Plate
F	n/a	Idle Jet Assembly
G	n/a	Idle Jet O-Ring
H	n/a	Sheetmetal Housing
I	n/a	Throttle Shaft
J	n/a	Throttle Plate
K	n/a	Screw M3x5
L	n/a	Lock Washer
M	n/a	Nylon/Plastic O-Ring

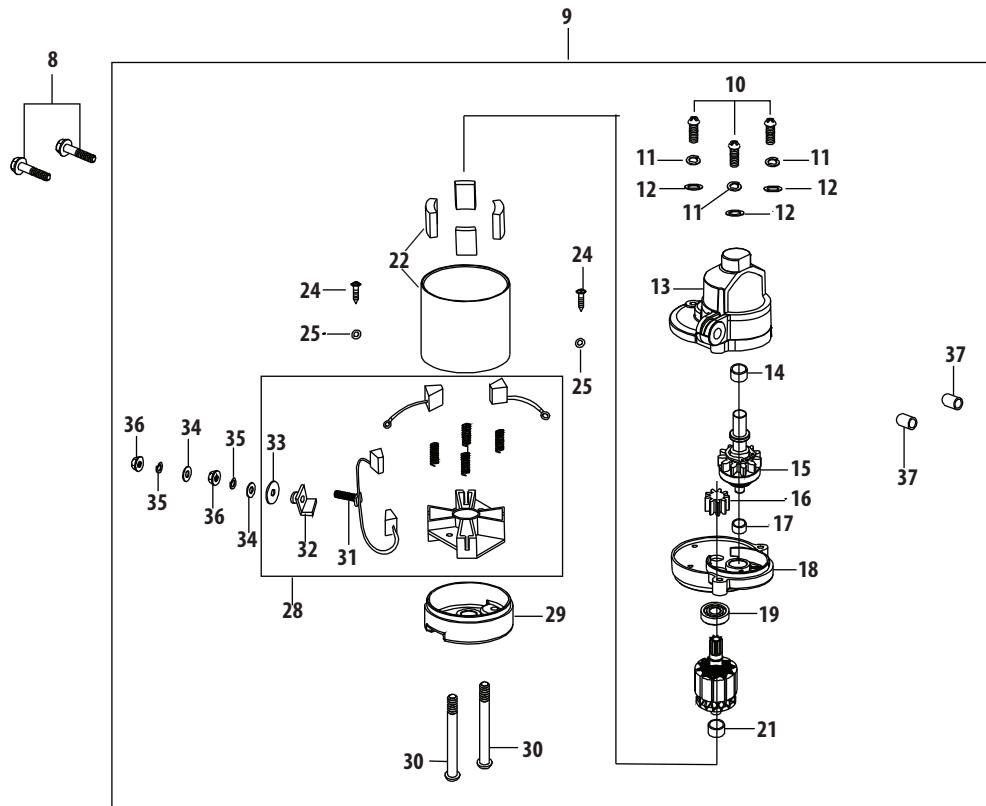
Ref.	Part Number	Description
N	n/a	Fiber O-Ring
O	n/a	Idle Speed Adjusting Screw
P	n/a	Idle Mixture Screw
Q	n/a	Carburetor Body
R	n/a	Fuel Inlet
S	n/a	Float Pin
T	n/a	Emulsion Tube
U	n/a	Needle Valve
V	n/a	Main Jet
W	n/a	Needle Valve Spring
X	n/a	Float
Y	n/a	Fuel Bowl O-Ring
Z	n/a	O-Ring
AA	951-14175	Fuel Shut-off Solenoid Valve Kit (Incl.130,136,138,AA,G,H,Z)
BB	951-14176	Fuel Bowl Kit (Incl.130,136,138,BB,CC,DD,EE,Y,Z)
CC	n/a	Fuel Drain Plug Gasket
DD	n/a	Fuel Drain Plug
EE	n/a	Seat/Fuel Bowl Bolt
GG	n/a	Washer
HH	n/a	Screw M5x12

# 4P90JUB Muffler Assembly



Ref.	Part Number	Description
48	710-04916	Bolt M6×14
158	712-04219	Nut M8
159	951-14468	Muffler Assembly
160	951-12271	Exhaust Pipe Gasket
161	951-12272	Muff Stud M8×47
161	951-12196	Muffler Stud Assembly
190	951-12278	Wire Mesh Shield
191	710-05051	Bolt M6×12
193	951-12329	Spark Arrestor
194	710-05344	Spark Arrestor Screw

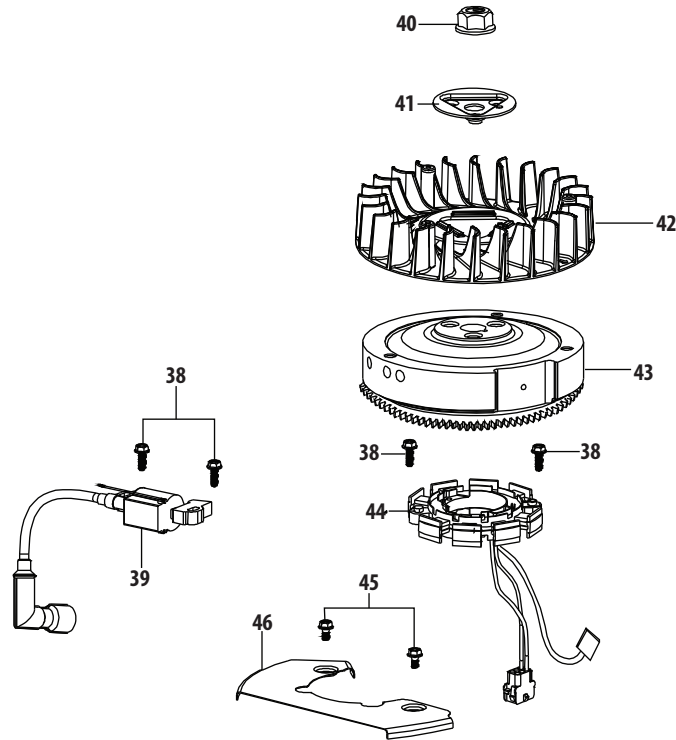
# 4P90JUB Starter Assembly



Ref.	Part Number	Description
8	710-05306	Bolt M8×40
9	951-12207	Starter Assembly
10	710-05307	Screw M5×25
11	736-04554	Lock Washer 5
12	736-04556	Plain Washer 6
13	951-12208	Electrical Starter Front Cover
14	951-12211	Bearing
15	951-12210	Pinion/Clutch Assembly
16	951-12312	Gear
17	951-12209	Bearing
18	951-12212	Pinion Cover
19	951-12214	Bearing 6001Zz
21	951-12216	Bearing

Ref.	Part Number	Description
23	951-12528	Starter Housing Assembly
24	951-12217	Screw
25	736-04554	Lock Washer
28	951-12529	Brush Assembly
29	951-12219	Electrical Starter Back Cover
30	710-05308	Bolt M6×100
31	951-12324	Bolt M6×30 Assembly
33	736-04555	Insulation Washer
34	736-04556	Plain Washer 6
35	736-04477	Lock Washer 6
36	712-04212	Nut M6
37	715-04120	Dowel Pin 10×14

# 4P90JUB Ignition & Electrical



Ref.	Part Number	Description
38	710-04931	Bolt M6×28
39	951-12220	Ignition Coil Assembly
40	712-04220	Flywheel Nut M16×1.5
41	951-12221	Plate
42	951-12222A	Cooling Fan
43	951-12223	Flywheel
44	951-12224	Coil Assy. Charge
45	710-04940	Bolt M6×10
46	951-12279	Cowl





To order replacement parts or locate your nearest service dealer call a Customer Support at (800) 800-7310.  
or visit [www.mtdproducts.com](http://www.mtdproducts.com) to find the nearest authorized dealer in your area.

---

**MTD LLC, P.O. BOX 361131 CLEVELAND, OHIO 44136-0019**

---



## Free Manuals Download Website

<http://myh66.com>

<http://usermanuals.us>

<http://www.somanuals.com>

<http://www.4manuals.cc>

<http://www.manual-lib.com>

<http://www.404manual.com>

<http://www.luxmanual.com>

<http://aubethermostatmanual.com>

Golf course search by state

<http://golfingnear.com>

Email search by domain

<http://emailbydomain.com>

Auto manuals search

<http://auto.somanuals.com>

TV manuals search

<http://tv.somanuals.com>