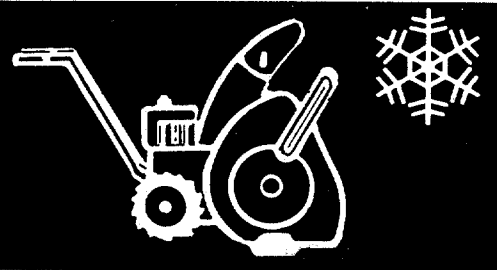
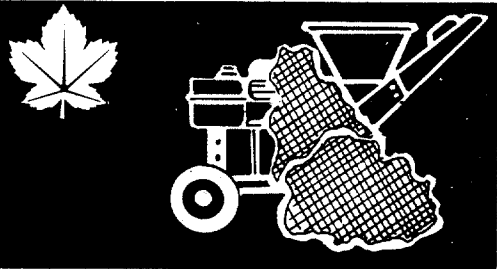
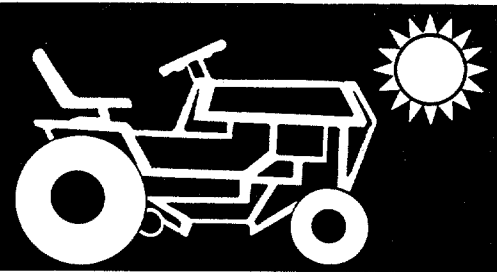
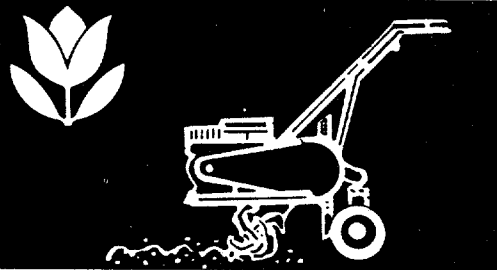


\$1.00

OWNER'S GUIDE

OUTDOOR POWER EQUIPMENT
for all seasons



**8 TON MANUAL
LOG SPLITTER**

**Model Numbers
248-632-000
24632-8**

**IMPORTANT:
Read Safety Rules and
Instructions Carefully**

Thank you for purchasing
an American-built product.

INDEX

Safe Operation Practices	3 & 4	Illustrated Parts	8
Assembly Instructions	5	Repair Parts List	9
Operation	6	Seal-Kit	9
Maintenance.....	7		



CAUTION

THIS UNIT SHOULD NOT BE TOWED ON ANY STREET, HIGHWAY OR PUBLIC ROAD. ANY LICENSING NEEDED TO COMPLY WITH THE EXISTING FEDERAL, LOCAL OR STATE VEHICLE REQUIREMENTS IS THE SOLE RESPONSIBILITY OF THE PURCHASER.



To reduce the potential for any injury, comply with the following safety instructions. Failure to comply with these instructions may result in personal injury.

SAFE OPERATION PRACTICES FOR LOG SPLITTERS

TRAINING

1. Before operating this splitter, read and understand this manual completely. Become familiar with it for your own safety. To fail to do so may cause serious injury. Do not allow anyone to operate your splitter who has not read this manual. Keep this manual in a safe place for future and regular reference and for ordering replacement parts.
2. Never use your splitter for any other purpose than splitting wood. It is designed for this use and any other use may cause an injury. Your log splitter is a precision piece of power equipment, not a playtoy. Therefore, exercise extreme caution at all times.
3. Never allow children to operate your log splitter. Do not allow adults to operate it without proper instruction. Only persons well acquainted with these rules of safe operation should be allowed to use your log splitter.
4. Only the operator is to be near your log splitter during use. Keep all others, including pets and children, a minimum of 20 feet away from your work zone. Flying wood can be hazardous. If a helper is assisting in loading logs, never activate the control until the helper is clear of the area. More accidents occur when more than one person operates the log splitter than at any other time.
5. No one should operate this unit while intoxicated or while taking medication that impairs the senses or reactions. A clear mind is essential for safety. Never allow a person who is tired or otherwise not alert to use your splitter.

PREPARATION

1. Never wear loose clothing or jewelry that can be caught by moving parts of your log splitter and pull you into it. Keep clothing away from all moving parts of your log splitter.
2. Wear proper head gear to keep hair away from moving parts. Always wear protective hearing devices as needed.
3. Always wear safety shoes. A dropped log can seriously injure your foot.
4. Always wear safety glasses or goggles while operating your splitter. A piece of splitting log could fly off and hit your eyes.
5. If you wear gloves, be sure they are tight fitting without loose cuffs or draw strings.
6. Use your log splitter in daylight, or under good artificial light.

7. Never operate your splitter on slippery, wet, muddy or icy surfaces. Safe footing is essential in preventing accidents. Never operate your splitter while attached to a towing vehicle.
8. Only operate your splitter on level ground and not on the side of a hill. It could tip, or rolling logs or poor footing could cause an accident.
9. Never attempt to move the log splitter over hilly or uneven terrain without adequate help.
10. Always block the wheels to prevent movement of log splitter while in operation.
11. Both ends of each log must be cut as square as possible to help prevent the log from riding out of the splitter during operation.

OPERATION

1. When loading the log splitter, place your hands on the side of the log, not at the ends. Never place hands or feet between log and splitting wedge or between log and push plate while operating. To do so may result in crushed or amputated fingers or toes, or worse, you may lose an arm or foot.
2. Do not straddle the splitter when using it. A slip in any position could result in a serious injury.
3. Never try to split two logs on top of each other. One may fly out and injure you.
4. Only use your hand to operate the ram or control lever. Never use your foot or a rope or any other extension device. This could result in your inability to stop your splitter quickly enough and cause an injury.
5. Always keep fingers away from any cracks that open in the log during splitting operation. They can quickly close and pinch or amputate your fingers.
6. Never attempt to split wood across the grain. Some types of wood may burst or fly out of your splitter and result in injury to you or a bystander.
7. For logs that are not cut square, the longest portion of the log should be rotated down and the most square end placed against the ram.
8. Keep your work area clean. Immediately remove split wood around your splitter so that you do not stumble over it.

MAINTENANCE AND STORAGE

1. Do not operate your splitter in poor mechanical condition or when in need of repair.

2. Periodically check that all nuts, bolts and screws are tight to be sure equipment is in safe working condition. Where appropriate, check all safety guards and shields to be sure they are in the proper position. Never operate your splitter with safety guards, shields or other protective features removed. These safety devices are for your protection.
3. Replace all damaged or worn parts such as immediately with manufacturer approved replacement parts.
4. Do not alter your splitter in any manner such as attaching a rope or extension to the control lever or adding to the width or height of the wedge. Such alterations may cause your splitter to be unsafe.
5. Perform all recommended maintenance procedures before you use your splitter.
6. Never store log splitter outside without a waterproof cover. Rain will cause rust on the inside of the cylinder.

ASSEMBLY INSTRUCTIONS

CONTENTS OF HARDWARE PACK AND LOOSE PARTS: (See Figure 1)

- A (1) Handle Grip
- B (1) Handle
- C (1) Hairpin Cotter (may be rings)
- D (1) Clevis Pin (may be pin)
- E (1) Axle
- F (2) Push on caps 1/2" Dia.
- G (2) Spacers
- H (2) Wheels

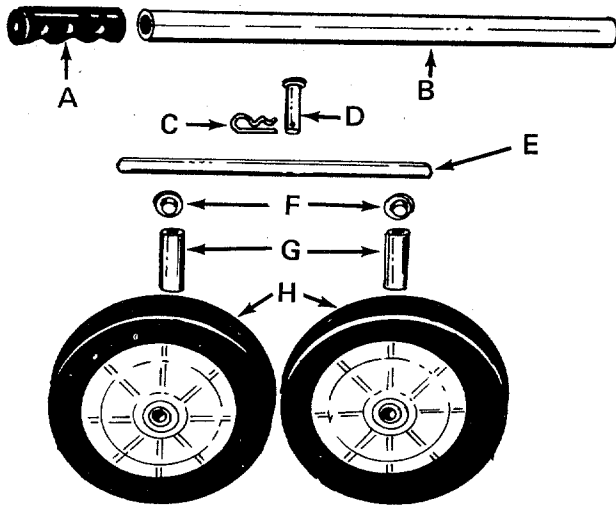


FIGURE 1

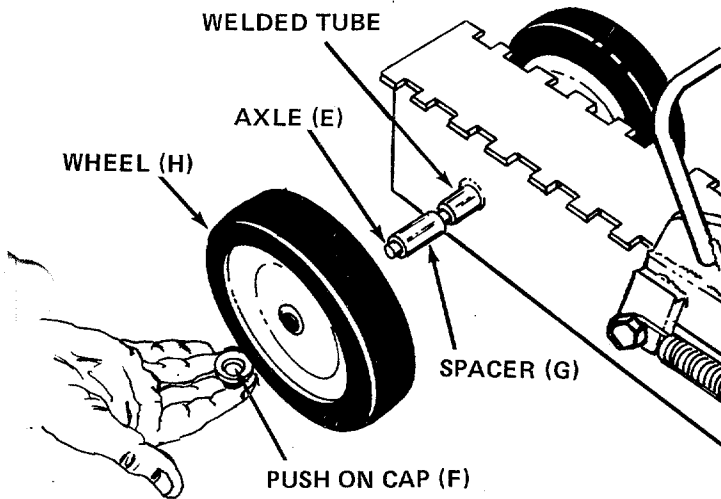


FIGURE 2

1. Remove the log splitter, loose parts and literature from carton. Check to be sure all parts are removed from carton before discarding the carton.
2. Place the axle (E) through the welded tube on splitter. See figure 2.
3. Next, place spacers (G) on each side of splitter, over axle. See figure 2.

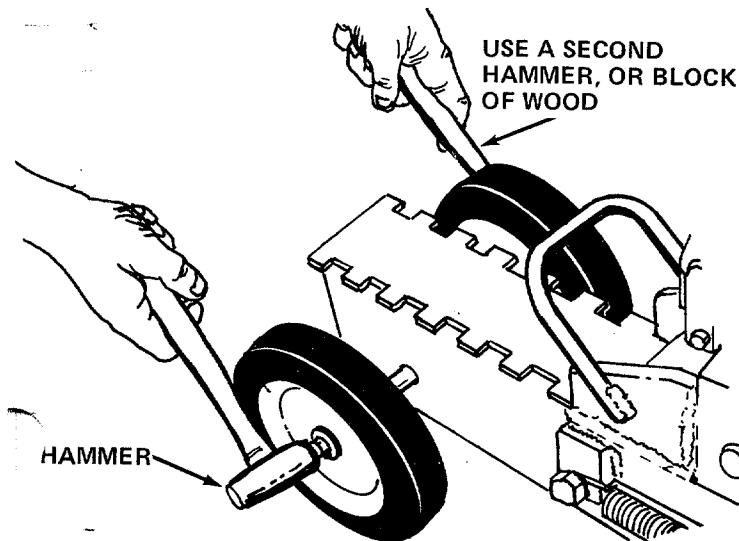


FIGURE 3

4. Next, place wheels (H) over each end of axle. See figure 3.
5. Secure wheels to axle with push on caps (F). A hammer and block of wood will be required to hammer on the caps. See figures 2 and 3.

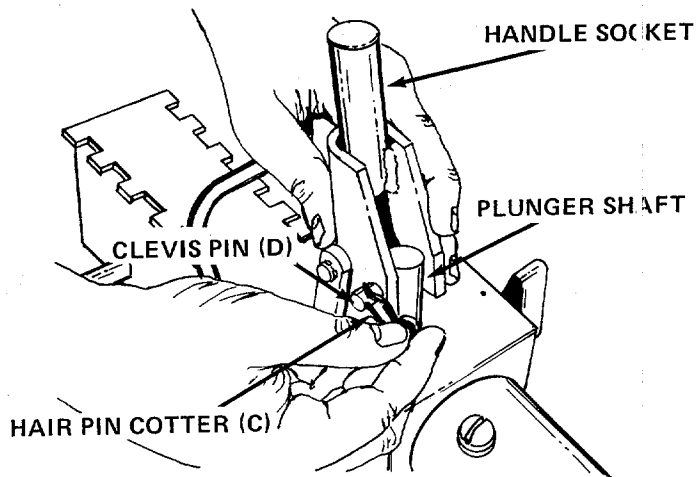


FIGURE 4

5. Lift the handle socket up so that the hole lines up with the hole in plunger shaft. See figure 4.
6. Secure handle socket to plunger shaft with hair pin (C) and clevis pin (D). See figure 4.
7. Place the handle grip (A) over one end of handle (B). Warm soapy water will aid in assembly. Tap grip on.
8. Place handle over handle socket.

OPERATION

This 8 ton capacity hydraulic unit is a special design, manufactured for use on this log splitter only.

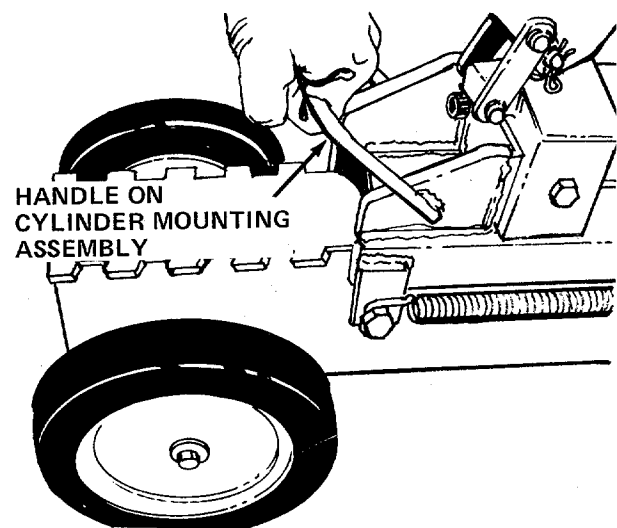


FIGURE 5

1. This splitter can be adjusted manually for logs 8" to 24" long. There are twelve different settings. Settings are approximately 1-1/2" apart. See figure 5.
2. Simply lift up on handle of cylinder mounting assembly and slide the unit forward or backward for the correct log length. See figure 5.

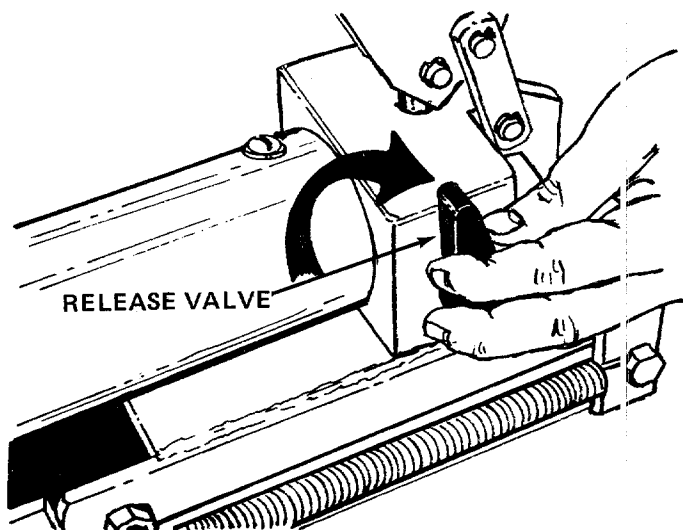
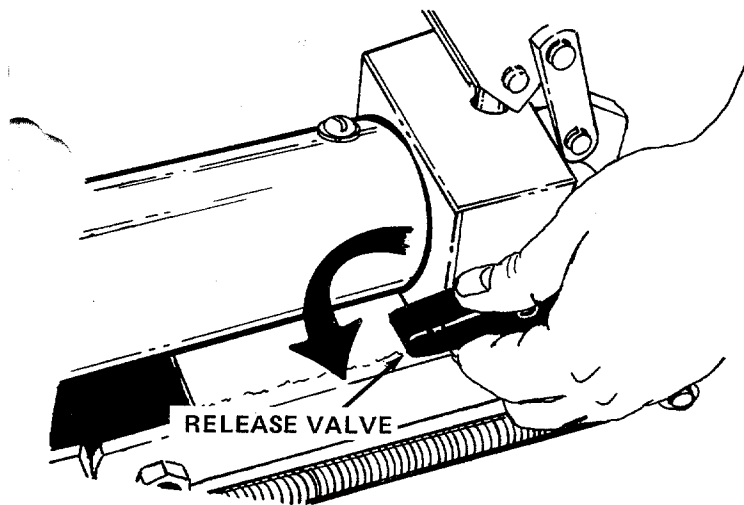


FIGURE 6

3. Pull the release valve up and back to lock. Then handle can be pumped to split logs. See figure 6.



4. Push the release valve down and forward to release pressure. Cylinder will return, with the aid of two return springs. See figure 7 and copy of label below.

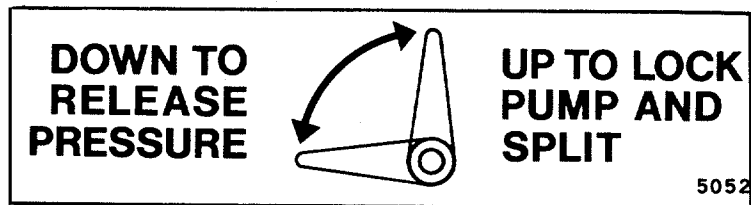


FIGURE 7

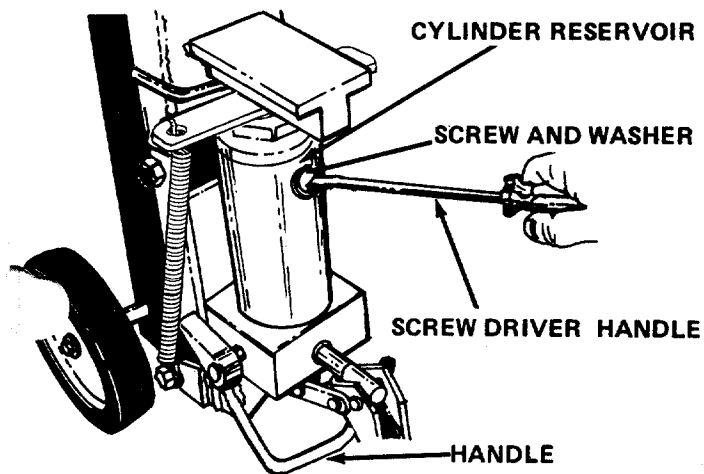


FIGURE 8

MAINTENANCE

RESERVOIR OIL

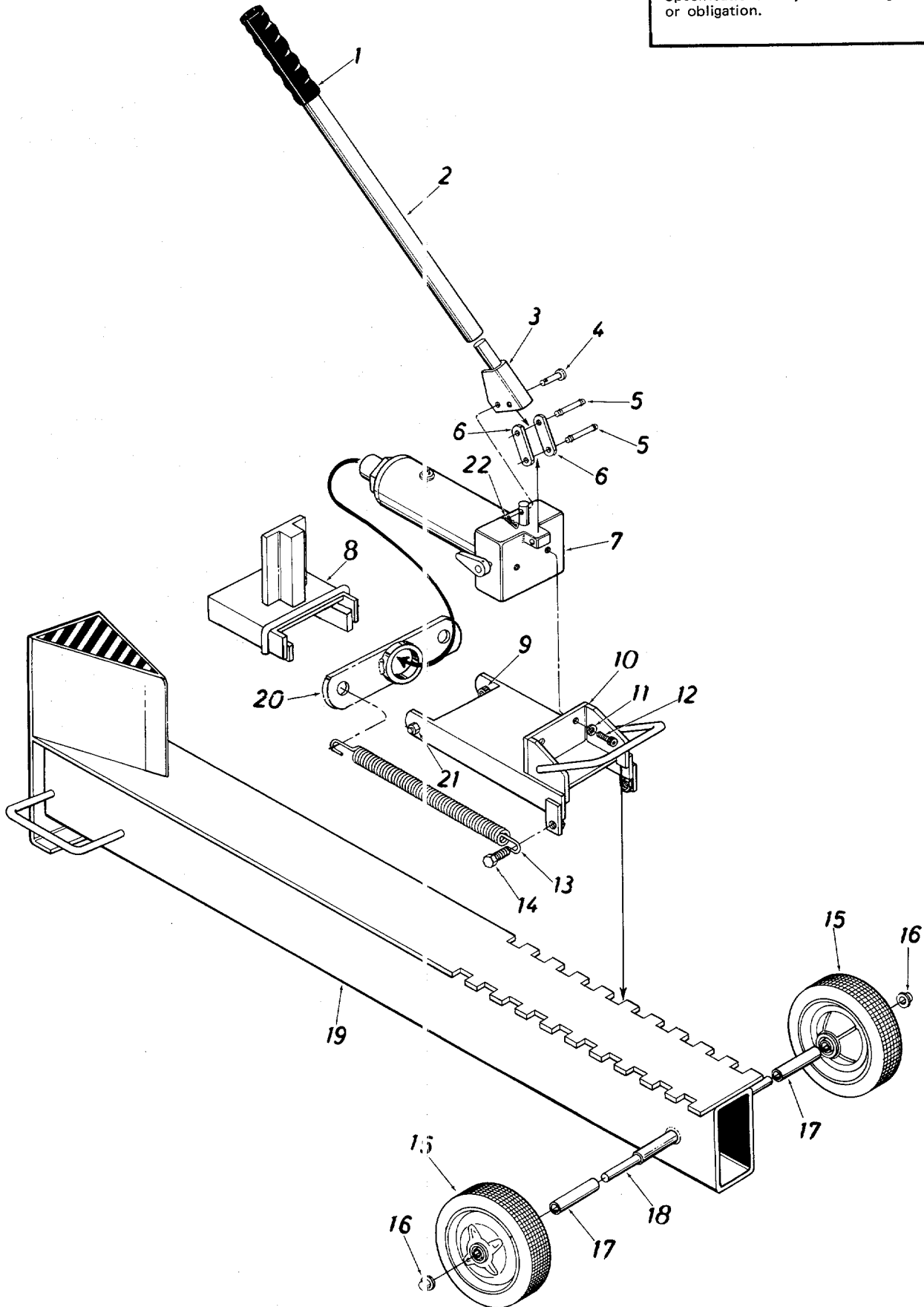
1. Lift the handle on the cylinder mounting assembly and pull cylinder assembly all the way back to the last notch. See figure 8.
2. Remove the pump handle.
3. Release the pressure in the cylinder.
4. Tip the log splitter up so it rests on the wheels and handle on cylinder assembly. See figure 8.
5. With a standard screwdriver, remove screw and washer from cylinder reservoir. See figure 8. If oil is up to hole, do not add any oil. If not, add oil to bring level up to hole. Oil capacity is 10 fluid ounces. Nuto H grade 32, or Exxon L.P. conventional #150 Hydraulic oil.

Model 632



NOTE

Specifications subject to change without notice or obligation.

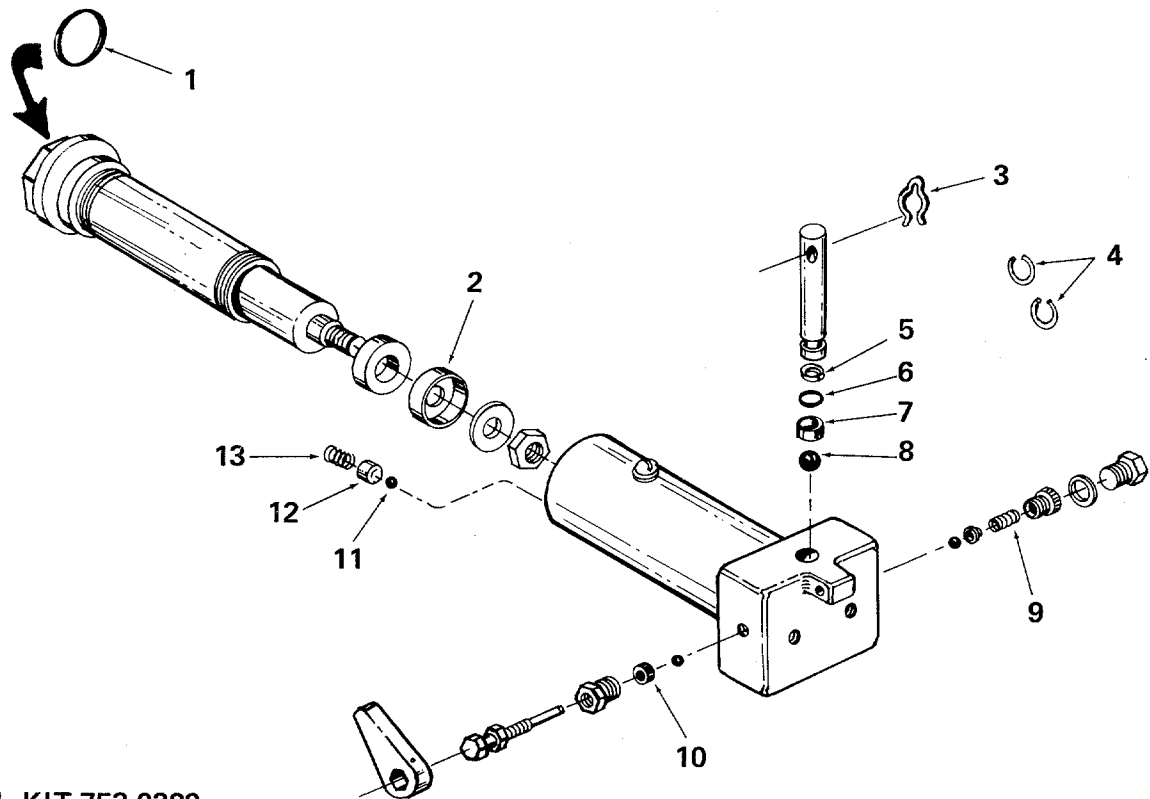


Model 632

PARTS LIST FOR MODEL 632 LOG SPLITTER

REF. NO.	PART NO.	QUAN.	DESCRIPTION	NEW PART	REF. NO.	PART NO.	QUAN.	DESCRIPTION	NEW PART
1	720-0204	1	Handle Grip		13	732-0466	2	Extension Spring .75" O.D. x 10.75" Lg.	
2	747-0488	1	Handle 3/8" Dia. Rod						
3	HW-66713	1	Handle Socket		14	710-0820	2	Hex L.-Bolt 3/8-16 x .75" Lg.	
4	711-0599	1	Clevis Pin (Service Only)		15	734-1079	2	Wheel 7.0" x 1.75"	
5	HW-66727	2	Pin & Ring Assembly		16	726-0221	2	1/2" Push Cap	
6	HW-66722	2	Link		17	750-0151	2	Spacer	
7	717-0614	1	Hydraulic Pump & Cylinder		18	738-0584	1	Axle 1/2" Dia. x 12" Lg.	
8	781-0050	1	Push Plate Ass'y.		19	781-0066	1	Tube and Rail Ass'y.	
9	710-0925	2	Socket Hd. Bolt 1/2-13 x .75" Lg.		20	781-0096	1	Cyl. Return Ass'y.	
10	781-0057	1	Cylinder Mounting		21	712-0384	2	Hex Cent. L.-Nut 1/2-13 Thd.	
11	736-0169	2	L.-Wash. 3/8" I.D.*		22	714-0149	1	Hair Pin Cotter (Service Only)	
12	710-0926		Socket Hd. Bolt 3/8-16 x .75" Lg.		----	753-0389	1	Kit-Seal (See Below)	

*For faster service order standard nuts, bolts, and washers locally. If these items cannot be obtained locally, order by part number and size as shown on parts list.



PARTS IN SEAL-KIT 753-0389

REF. NO.	DESCRIPTION	REF. NO.	DESCRIPTION
1	Quad Ring	7	Ball Retainer
2	Cup	8	Ball
	Hair Pin Clip	9	Spring
	Pin Ring	10	Packing
5	Back-Up Washer	11	Ball
6	"O"-Ring	12	Ball Retainer
		13	Spring

REPLACEMENT PARTS • P.O. BOX 36900 • CLEVELAND OHIO 44136

Free Manuals Download Website

<http://myh66.com>

<http://usermanuals.us>

<http://www.somanuals.com>

<http://www.4manuals.cc>

<http://www.manual-lib.com>

<http://www.404manual.com>

<http://www.luxmanual.com>

<http://aubethermostatmanual.com>

Golf course search by state

<http://golfingnear.com>

Email search by domain

<http://emailbydomain.com>

Auto manuals search

<http://auto.somanuals.com>

TV manuals search

<http://tv.somanuals.com>