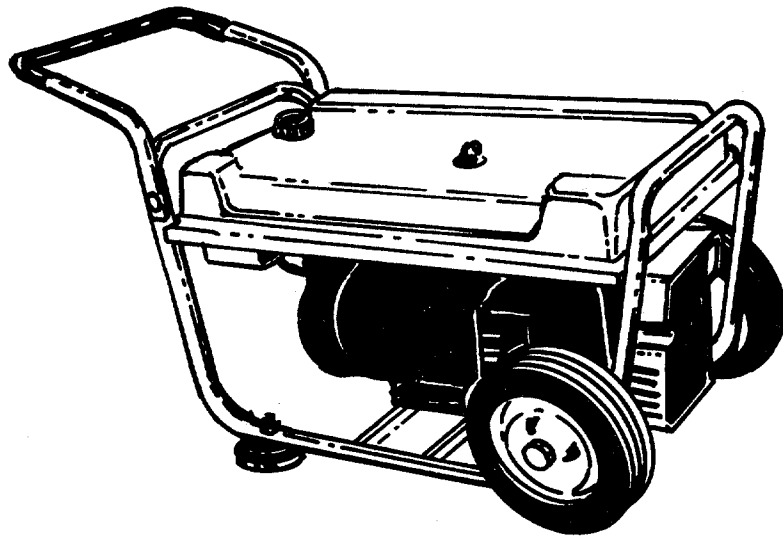


OWNER'S GUIDE



(Models 713A thru 725A shown)

ASSEMBLY • OPERATION • MAINTENANCE • PARTS

ELECTRIC GENERATOR

Important:

**Read Safety Rules and
Instructions Carefully**

Thank you for purchasing an
American built product.

Model Numbers

2250 Watts - 243-712A
3500 Watts - 243-713A
4500 Watts - 243-714A
3750 Watts - 243-723A
5000 Watts - 243-725A

LIMITED WARRANTY

MTD will replace, upon examination by the factory or an authorized agent, any part or parts found to be defective in material or workmanship free of charge. All transportation and freight charges incurred in shipping a defective generator or generator part to the factory or authorized agent shall be paid by the claimant (buyer).

The replacement of parts and/or service arising out of the abuse, accident, attempted repair by unauthorized persons, tamperings, or improper use are not covered by the operation of this warranty.

There is no warranty on brushes, fuses, or receptables, nor does this warranty cover power units or engines. Such power units or engines are covered exclusively by the warranties or their manufacturer.

This warranty is extended to the original purchaser for a period of one year (365 days) from date of purchase; provided, however, that none of the language of this warranty shall be construed to exclude third party beneficiaries from its operation. This warranty is limited to a period of ninety (90) days if said unit is used in commercial use.

The user shall determine the suitability of the product for its intended use prior to placing the unit in service. Said user assumes all risk and liability in connection with determining the suitability of the unit for its particular use. Neither seller nor manufacturer shall be liable for any injury, loss or damage arising out of the improper use or operation of said unit.

THERE ARE NO WARRANTIES WHICH EXTEND BEYOND THE DESCRIPTION OF THE FACE HEREOF.

SAFETY RULES

Safety precautions are essential when any electrical or mechanical equipment is involved. These precautions are necessary when using, storing, and servicing electro-mechanical equipment. Using this equipment with the respect and caution demanded will considerably lessen possibilities of personal injury. If safety precautions are overlooked or ignored, personal injury may occur.

This unit was designed for specific applications. It should **not** be modified and/or used for any application other than which it was designed. If there are questions regarding its applications, **write or call**. Do not use this unit until you have been advised.

KEARNEY DIVISION

Box 364, Airport Road Kearney, Nebraska 68847
Phone 308-237-2181

1. Read your manual carefully-know your equipment. Consider the applications, and the potential hazards peculiar to your unit.
2. Equipment must be placed on a firm supporting surface. Ground unit by utilizing the special grounding lug provided.
3. Load must be kept within stated rating (see nameplate) - overloading will damage unit or shorten its life.
4. Engine must not be run at excessive speeds. Operating an engine at excessive speeds increases the hazard of personal injury. **Do not tamper with parts which may increase the governed speed.**
5. To prevent accidental starting, always remove the spark plug before working on the engine or generator, or remove cable from the spark plug.
6. Units with broken or missing parts, without protective housing or covers, should never be operated. Contact your service center for replacement parts.
7. Units should not be operated or stored in wet or damp conditions (rubber gloves and footwear are recommended when operating any electrical equipment outdoors or in damp indoor conditions).

8. A ground fault circuit interrupter should be used in damp or highly conductive locations, (e.g. metal decking and steel work).
9. Unit must reach operating speed **before** electrical loads are connected. Disconnect electrical loads **before** shutting engine down.
10. Extension cords, power cords, and all electrical equipment must be in good condition. Never operate any electrical equipment with damaged or defective cords.
11. Units should never be operated under these conditions.
 - a. Change in engine speed
 - b. Electrical output loss
 - c. Overheating in connected devices
 - d. Sparking
 - e. Damaged receptacles
 - f. Engine misfiring
 - g. Excessive vibration
 - h. Flame or smoke
 - i. In an enclosed compartment
12. Store unit in a well ventilated area with fuel tank empty. Fuel should not be stored near unit.
13. Check fuel system periodically for leaks or signs of deterioration, (e.g. chafed or spongy hose, loose or missing clamps, rusted or damaged tank or cap). Correct defects before operating.
14. The unit should be operated, serviced, and refueled under the following conditions:
 - a. Good ventilation-avoid areas where vapors may be trapped, (e.g. pits, basements, cellars, excavations, boat bilges, etc.) Air flow and temperatures are important for air cooled units-temperature should not exceed 100F.
 - b. Engine exhaust gases are dangerous-they must be piped from enclosed areas-the exhaust contains carbon monoxide, a poisonous, odorless and invisible gas, which if breathed causes serious illness and possible death.
 - c. Unit should be refueled in a well lighted area. Avoid spills. Never refuel while unit is operating.
 - b. Avoid refueling near open flames, pilot lights, sparking electrical devices, (e.g. power tools, welders, or grinders).
 - e. Muffler and air cleaner must be installed and in good condition. They act as flame arresters if back firing occurs.
 - f. Smoking should not be permitted.
15. Do not wear loose clothing, jewelry, or anything which may be caught in the starter or other rotating parts.
16. Keep unit clean and free of oil, mud, or other foreign matter.
17. Do not stick anything through ventilating slots, even when generator is not operating. You may damage the unit or suffer personal injury.

ASSEMBLY

If your unit is equipped with wheels, assemble the wheels as shown in illustration on page 7.

STAND-BY INSTALLATION

If your unit is to be used as a stand-by power source in case of utility power failure, it should be installed by a registered electrician and in compliance with all applicable local electrical codes.

OPERATION

GROUND GENERATOR

Make sure that generator is grounded to prevent accidental shock. A special grounding lug (A) Figure 1, is provided for this purpose.

BEFORE STARTING

Before starting generator, check for loose or missing parts and for any damage which may have occurred during shipment.

Service engine with gasoline and oil as instructed in the separate engine manual.

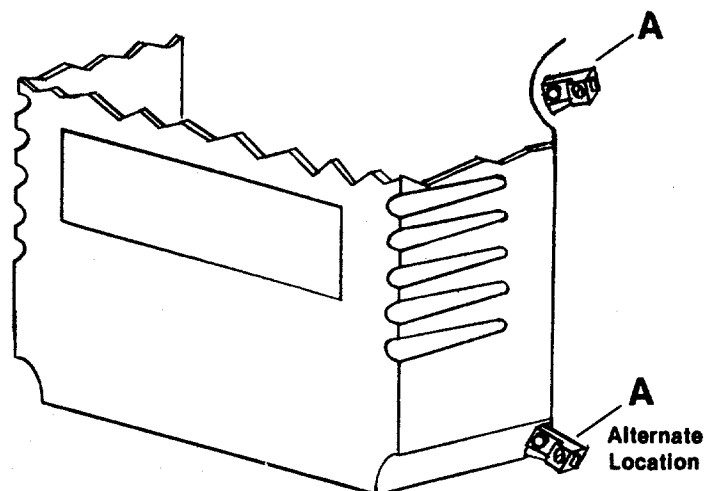


FIGURE 1

STARTING ENGINE

Disconnect all electrical loads. Adjust choke as necessary. Turn key to "ON" position. Pull on the starting rope with a fast, steady pull. As engine warms up, readjust choke.



WARNING

Provide adequate ventilation for toxic exhaust gases and cooling air flow.

Turn key to "OFF" position to stop engine. See "shut-down procedure".

BREAK-IN PROCEDURE

Controlled break-in helps insure proper engine and generator operation. Follow engine break-in procedure outlined in engine manual.



CAUTION

Allow generator to run at no load for 5 minutes upon initial start-up to permit engine and generator to stabilize.

DETERMINING TOTAL WATTAGE

To prevent overloading the unit, it is necessary to add up the total wattage of the connected load.

1. Electric motors require more power when starting than running. First, determine your largest motor starting requirement. To this figure, add the total wattages of all other items you want to connect to the generator at the same time. If only volts and amps are given, volts x amps = watts. 1,000 watts - 1 KW.
2. This total should not be more than the rated wattage for your unit as shown in the specifications.
3. Always start your largest electric motor before any other load is applied.



CAUTION

Do not apply heavy electric load during the first 2 or 3 hours of operation.

APPLYING LOAD

This unit has been pretested and adjusted to handle its full rated capacity. When starting the generator, disconnect all load. Apply load only after generator is running.



CAUTION

Overloading the unit may burn out the unit and/or anything connected to it!

Keep load within nameplate rating. Continuous overloading may cause damage to the generator and shorten its life.

The following should be observed:

Single Voltage Units. These models are equipped with one circuit and one duplex receptacle. The total rated wattage can be drawn from this circuit.

Dual Voltage Units. See Figure 2 and Figure 3. These models are equipped with two 120 volt circuits, (A and B). These two 120 volt circuits are combined to form the 240 volt circuit, (C).

You can use 75% of the nameplate rating from either 120 volt circuit (A or B) but not from both at the same time.

When using both 120 volt and 240 volt equipment, the 120 volt load from circuit A or B plus one-half of the 240 volt load from circuit C must not exceed 75% of the nameplate rating.

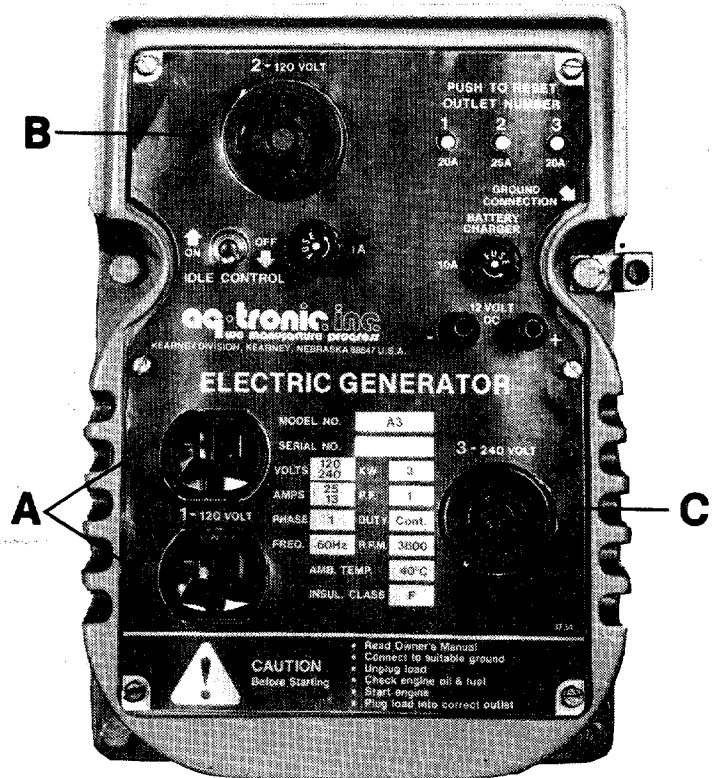


FIGURE 2

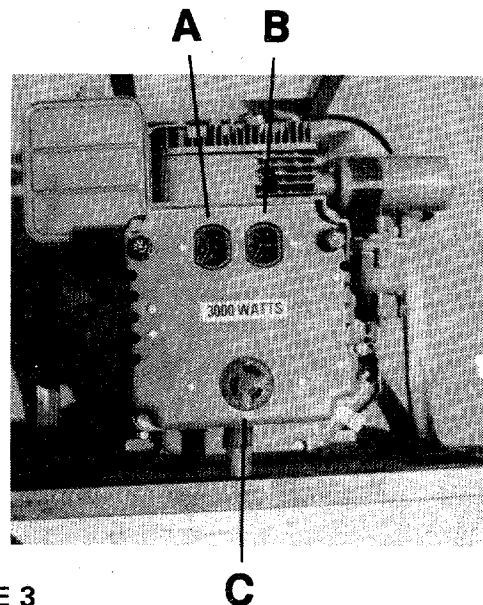


FIGURE 3

CIRCUIT PROTECTION

Keep the load within the nameplate rating.

Too much load on a receptacle or accessory or an external short circuit may cause circuit protector to open. If any circuit protector opens, disconnect all electrical loads and replace fuse or reset circuit breaker.

SHUT-DOWN PROCEDURE

When shutting down your generator, use the following procedure:

- Remove all electrical load.
- Let engine run for a few minutes without load.
- Stop the engine.
- Do not leave generator until it has completely stopped.

MAINTENANCE

Regular maintenance of your generator will lower operating costs and lengthen the life of the unit.

INFREQUENT SERVICE

If the unit is used infrequently, difficult starting may result. To eliminate hard starting, run generator at least 30 minutes every week.

OUT OF SERVICE PROTECTION

If unit will be out of service for more than 60 days, follow instructions in the engine manufacturer's manual.

ENGINE MAINTENANCE

For service and maintenance of the engine, follow the instructions in the engine manufacturer's manual.

BRUSHES

Once every year, inspect the generator brushes for chips and cracks. Replace brushes when they are worn to 1/4 inch.

Replace brushes in sets only, never singly.

To inspect brushes:

1. Remove cover plate (A). See Figure 4.
2. Loosen brush mounting screws (B).
3. Slide brushes (C) from holders.
4. Replace if worn to 1/4 inch.
5. Do not over tighten screws.

Replace only with brushes specified in parts list.

Other brushes may appear to be identical but may have completely different mechanical and electrical characteristics.

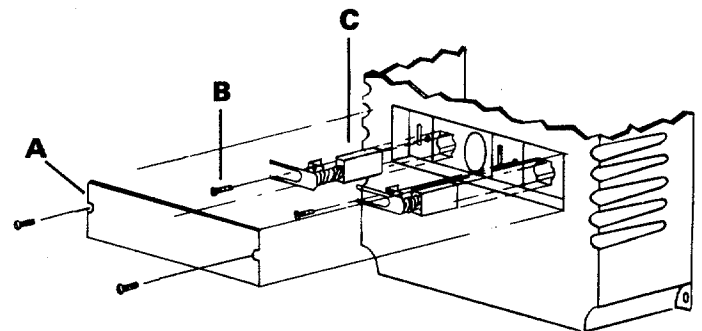
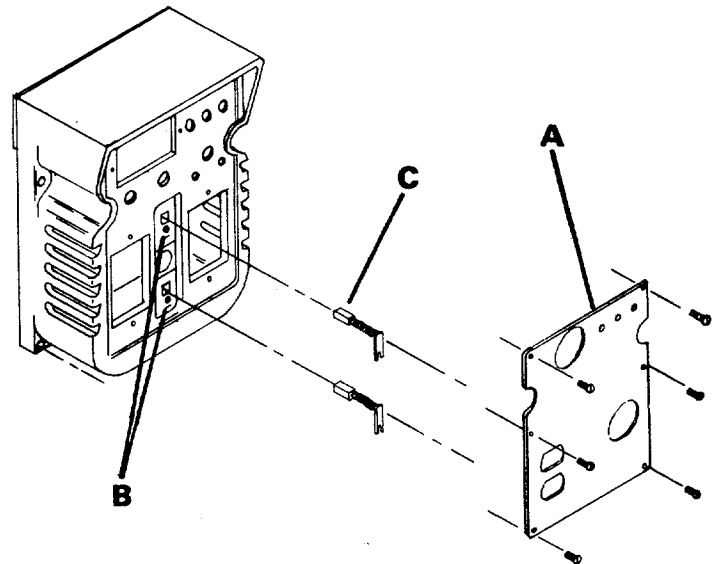
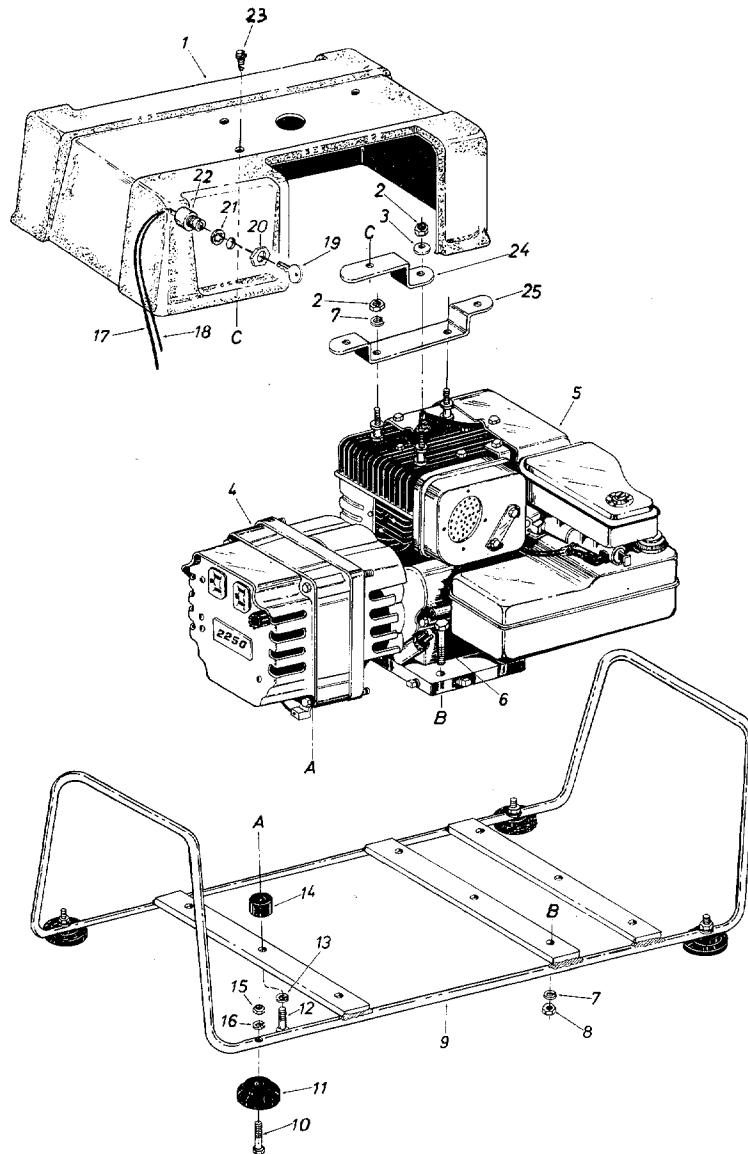


FIGURE 4



This instruction manual covers various models and all specifications shown do not necessarily apply to your model. Specifications subject to change without notice or obligation.

MODEL 712

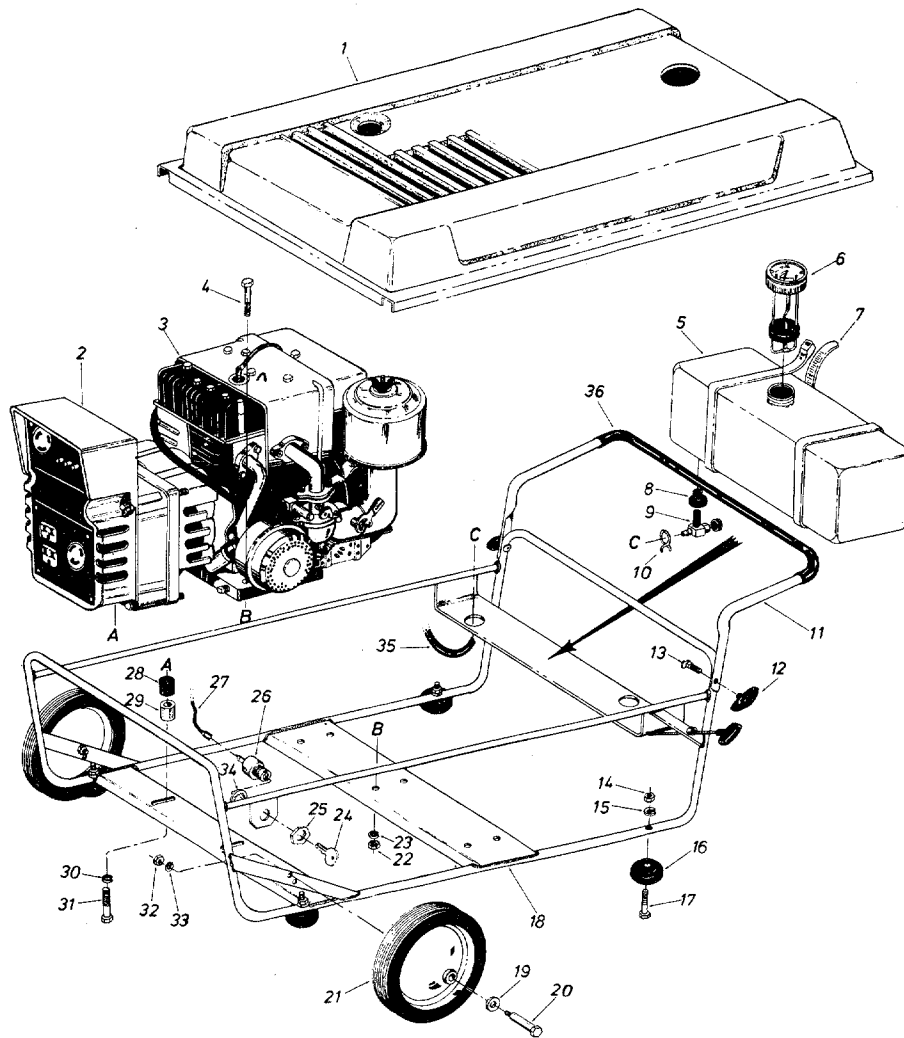


PARTS LIST FOR GENERATOR MODEL 712

Ref. No.	PART No.	DESCRIPTION	New Part	Ref. No.	PART No.	DESCRIPTION	New Part
1	731-0560	Cover		13	736-0119	L.-Wash. 5/16" I.D.*	
2	712-0267	Hex Nut 5/16-18 Thd.*		14	735-0213	Rubber Bumper	
3	736-0242	Belleville Wash. .345 I.D. x .88 O.D.		15	712-0287	Hex Nut 1/4-20 Thd.*	
4	-----	Generator		16	736-0329	L.-Wash. 1/4" I.D.*	
5	-----	Engine		17	725-0814	Electric Wire (Ground on Gen.)	
6	710-0380	Hex Bolt 5/16-18 x 1.75" Lg.*		18	725-0800	Electric Wire (To Engine)	
7	736-0119	L.-Wash. 5/16" I.D.*		19	725-0201	Ignition Key	
8	712-0267	Hex Nut 5/16-18 Thd.*		20	-----	Part of Ref. No. 22	
9	14682	Carriage Ass'y.		21	-----	Part of Ref. No. 22	
10	710-0524	Truss Mach. Scr. 1/4-20 x 1.75" Lg.*		22	725-0802	Ignition - Safety Switch	
11	735-0212	Rubber Bumper		23	710-0607	Hex Wash Hd. TT-Tapp Scr. 5/16-18 x .50" Lg.	
12	710-0259	Hex Sems Bolt 5/16-18 x .62" Lg.		24	14686	Cover Bracket	
				25	14688	Cover Bracket	

*For faster service obtain standard nuts, bolts and washers locally. If these items cannot be obtained locally, order by part number and size as shown on parts list.

**MODELS 713
714
723
725**



PARTS LIST FOR GENERATOR MODEL 713, 714, 723 and 725

Ref. No.	PART No.	DESCRIPTION	New Part	Ref. No.	PART No.	DESCRIPTION	New Part
1	731-0557	Cover (714 and 725)		18	14675	Carriage Ass'y.	
	731-0558	Cover (713 and 723)		19	736-0302	Fl.-Wash. .625" I.D. x .943" O.D.	
2	-----	Generator		20	738-0282	Shoulder Bolt .623 Dia. x 2.75" Lg.	
3	-----	Engine		21	734-0584	Wheel Ass'y.-Comp. 10 x 1.75	
4	710-0380	Hex Bolt 5/16-18 x 1.75" Lg.*		22	712-0267	Hex Nut 5/16-18 Thd.*	
5	751-0225	Gas Tank		23	736-0119	L.-Wash. 5/16" I.D.*	
6	723-0155	Gas Cap		24	725-0201	Ignition Key	
7	726-0153	Cable Tie		25	-----	Part of Ref. No. 26	
8	735-0149	Bushing		26	725-0464	Ignition-Safety Switch	
9	751-0171	Fuel Shut Off Valve w/ Filter		27	725-0800	Electric Wire	
10	726-0207	Hose Clamp		28	735-0213	Rubber Bumper	
11	749-0486	Upper Handle		29	750-0525	Spacer	
12	09966	Hand Knob		30	736-0119	L.-Wash. 5/16" I.D.*	
13	710-0405	Curved Hd. Carriage Bolt 5/16-18 x 1.75" Lg.		31	710-0259	Hex Sems Bolt 5/16-18 x .62" Lg.	
14	712-0287	Hex Nut 1/4-20 Thd.*		32	712-0342	Hex Nut 3/8-16 Thd.*	
15	736-0329	L.-Wash. 1/4" I.D.*		33	736-0169	L.-Wash. 3/8" I.D.*	
16	735-0212	Rubber Bumper		34	-----	Part of Ref. No. 26	
17	710-0524	Truss Mach. Scr. 1/4-20 x 1.75" Lg.*		35	751-0173	Fuel Line 29" Lg.	
				36	718-0145	Grip	

*For faster service obtain standard nuts, bolts and washers locally. If these items cannot be obtained locally, order by part number and size as shown on parts list.

HOW TO ORDER REPLACEMENT PARTS

To order replacement parts, please give the following information:

1. Model No. and Serial No. and all specifications shown on the Model No./Serial No. plate.
2. Part number or numbers as shown in Replacement Parts Lists on page 6 or 7.
3. A brief description of the trouble with the generator.

If replacement parts are required for the engine, contact one of the engine manufacturer's service centers.

GENERATOR SERVICE CENTERS

The following list includes firms who stock parts and/or who have performed satisfactory service on generators. If there is no Service Center listed near you, contact the Customer Service Department listed below.

**Customer Service Department
KEARNEY DIVISION
364 Airport Road, Kearney, Nebraska 68847
Phone 308-237-2181**

ALABAMA

Mobile, AL 36606
Hancock Electric Motor Serv.
1912 Duval Street
205-471-4354

ALASKA

Anchorage, AK 99502
Alaska Generator & Engine
100 E. Intl. Airport Road
907-272-3451

ARIZONA

Phoenix, AZ 85017
Southwest Products Corp.
2949 N. 30th. Avenue
602-269-3581

ARKANSAS

Little Rock, AR 72202
Capitol Equipment
I-30 W. Exit 126 Alexander
501-847-3057

CALIFORNIA

San Diego, CA 93113
Csaino Electric
3106 Main
714-239-0157

COLORADO

Denver, CO 80223
Automotive Equipment Service
2000 South Acoma
303-744-3667

CONNECTICUT

Hartford, CT 06120
Reliable Electric Motor Inc.
122 East Service Road
203-522-2257

FLORIDA

Port Charlotte, FL 33952
Westco Sales & Service
195 S. Tamiami Dr. NW
813-625-1180

GEORGIA

Atlanta, GA 30307
AAA Electric Motor Service
741 Edgewood Avenue NE
404-525-1319

IDAHO

Idaho Falls, ID 83401
Rick's Electric Motor Serv.
465 E. Whittier Street
208-524-2975

ILLINOIS

Chicago, IL 60639
Alta Products
5610 W. Grand Avenue
312-237-2600

INDIANA

Fort Wayne, IN 46808
Stockberger Machinery
2222 US Hwy. 30 Bypass West
219-483-8141

IOWA

Fort Dodge, IA 50501
Larsen Electric Motor Service
1229 First Ave. S.
515-573-7331

KANSAS

Kansas City, KS 66103
AAA Engine & Electric
700 Southwest Blvd.
913-236-8971

KENTUCKY

Lexington, KY 40507
Kentucky Ignition Service
133 Midland Avenue
606-254-2361

MAINE

N. Windham, ME 04062
Windham Electric Co.
Box 340
207-892-2521

MASSACHUSETTS

North Westport, MA 02790
Goldsteins Lawn Equipment
287 Gifford Street
617-678-0381

MICHIGAN

Grand Rapids, MI 48506
Weeks Electric Co.
1057 Cottage Grove, SE
616-243-8866

MINNESOTA

Minneapolis, MN 55411
Electric Motor Repair
2010 North 4th.
612-522-3318

MISSOURI

Chillicothe, MO 64601
Industrial Equipment Co.
1039 International Rd./Box 607
816-646-1812

NEBRASKA

Ohama, NE 68127
Cargill Animal Health
8940 "J" Street
402-339-9696

NEVADA

Elko, NV 89801
Elko Tool Sharpening
472-Commercial
702-738-8500

NEW JERSEY

Bellmawr, NJ 08030
Lawn Mower Parts
717 Creek Road
609-931-0571

NEW MEXICO

Albuquerque, NM 87125
Builders Eqpt. Co. Inc.
3435 Stanford NE/Box 25503
505-884-2320 or 294-2297

NEW YORK

Potsdam, NY 13676
Tennant Electric Motor Serv.
142 Maple Street
315-265-5740

NORTH CAROLINA

Raleigh, NC 27603
Motor Electric Repair Service
1216 S. Saunders St.
919-834-0884

NORTH DAKOTA

Devils Lake, ND 58301
Nelson's M & I Electric
424 S. College Drive
701-662-8156

OHIO

Columbus, OH 43215
Hayward Distributing
460 Neilston Street
614-221-5323

PENNSYLVANIA

Pittsburgh, PA 15233
Snyder Electric Co.
1500 Chateau St.
412-231-3100

SOUTH CAROLINA

Columbia, SC 29201
Mann Electric Repair Co.
2909 Main Street
803-352-7777

SOUTH DAKOTA

Rapid City, SD 57701
Industrial Electric & Supply
1130 West Omaha Street
605-342-1017

TEXAS

Round Rock, TX 78664
Austin Welder & Generator Serv.
2004 Howard Lane
512-251-2247

UTAH

Price, UT 84501
Coal Country Small Eng. Repair
280 West 100 North
801-637-5816

VIRGINIA

Richmond, VA 23230
Richmond Machinery & Eqpt.
1701 Roseneath Road
804-359-4048

WISCONSIN

Green Bay, WI 54306
DMT Corporation
965 Ashwaubenon St.
414-336-2589

Free Manuals Download Website

<http://myh66.com>

<http://usermanuals.us>

<http://www.somanuals.com>

<http://www.4manuals.cc>

<http://www.manual-lib.com>

<http://www.404manual.com>

<http://www.luxmanual.com>

<http://aubethermostatmanual.com>

Golf course search by state

<http://golfingnear.com>

Email search by domain

<http://emailbydomain.com>

Auto manuals search

<http://auto.somanuals.com>

TV manuals search

<http://tv.somanuals.com>