



English

# Operator's Manual

**Electric  
Snow Thrower  
31A-020-900**



**IMPORTANT: READ SAFETY RULES  
AND INSTRUCTIONS CAREFULLY**

P/N 6096-MD2301  
PRINTED IN CHINA

Download from [www.Somanuals.com](http://www.Somanuals.com). All Manuals Search And Download.

# TABLE OF CONTENTS


Rules for Safe Operation	Pages 2-7	Specifications	Page 12
Operating Instructions	Page 8-9	Parts List	Page 13
Maintenance Instructions	Pages 10-11	Notes	Page 14
Troubleshooting	Page 12	Manufacturer's Limited Warranty	Page 15

# RULES FOR SAFE OPERATION

The purpose of safety symbols is to attract your attention to possible dangers. The safety symbols, and their explanations, deserve your careful attention and understanding. The safety warnings do not by themselves eliminate any danger. The instructions or warnings they give are not substitutes for proper accident prevention measures.

SYMBOL	MEANING
--------	---------



	<p><b>SAFETY ALERT:</b> Indicates danger, warning or caution. Attention is required in order to avoid serious personal injury. May be used in conjunction with other symbols or pictographs.</p>
--	--

**NOTE:** Advises you of information or instructions vital to the operation or maintenance of the equipment.


**Read the Operator's Manual(s) and follow all warnings and safety instructions.**

**Failure to do so can result in serious injury to the operator and/or bystanders.**


**FOR QUESTIONS, CALL 1-800-668-1238**

SYMBOL	MEANING
--------	---------




	<p><b>DANGER:</b> Failure to obey a safety warning will result in serious injury to yourself or to others. Always follow the safety precautions to reduce the risk of fire, electric shock and personal injury.</p>
---	---



	<p><b>WARNING:</b> Failure to obey a safety warning can result in injury to yourself and others. Always follow the safety precautions to reduce the risk of fire, electric shock and personal injury.</p>
---	---




	<p><b>CAUTION:</b> Failure to obey a safety warning may result in property damage or personal injury to yourself or to others. Always follow the safety precautions to reduce the risk of fire, electric shock and personal injury.</p>
---	---

## • IMPORTANT SAFETY INSTRUCTIONS •

### READ ALL INSTRUCTIONS BEFORE OPERATING



	<p><b>WARNING:</b> When using the unit, please read safety rules instructions before operating the unit in order to ensure the safety of the operator and any bystanders. Please keep these instructions for later use.</p>
--	---

- Read the instructions carefully. Be familiar with the controls and proper use of the unit.
- Do not operate this unit when tired, ill or under the influence of alcohol, drugs or medication.
- Children must not operate the unit. Teens must be accompanied and guided by an adult.
- All guards and safety attachments must be installed properly before operating the unit.
- Inspect the unit before use. Replace damaged parts. Make sure all fasteners are in place and secure. Replace parts that are cracked, chipped or damaged in any way. Do not operate the unit with loose or damaged parts.

- Carefully inspect the area before starting the unit. Remove all debris and hard or sharp objects such as glass, wire, etc.
- Clear the area of children, bystanders, and pets. At a minimum, keep all children, bystanders, and pets outside a 50 feet (15m.) radius; there still may be a risk to bystanders from thrown objects. If you are approached, stop the unit immediately.


# RULES FOR SAFE OPERATION

## PLEASE READ - SAVE THESE INSTRUCTIONS

When using an electrical appliance, basic precautions should always be followed to assure maximum safety and optimum performance. Read this manual before assembling and operating this appliance. Failure to comply with instructions may result in electrical shock, burns, fire, or personal injury.


## WARNING

### TO REDUCE THE RISK OF ELECTRIC SHOCK, BURNS, FIRE OR PERSONAL INJURY:

- FOLLOW ALL SAFETY INSTRUCTIONS** listed in this manual before/during operation of this snow thrower.
- TO REDUCE THE RISK OF ELECTRIC SHOCK** this equipment has a polarized plug (one blade is wider than the other). This plug will fit in a polarized extension cord only one way. If the plug does not fit fully in the extension cord, reverse the plug. Do not change the plug in any way.
- INSPECT UNIT FOR DAMAGE** to the housing or plug. Keep all fasteners tight. Do not use if the trigger does not turn the unit off properly. Never use unit if cord or plug has been damaged, the motor or unit itself is not working as it should or has been dropped, damaged, left outdoors or dropped in water. Never operate with any air opening blocked. Keep air openings free of debris that may reduce air flow. Replace damaged parts that are chipped, cracked or damaged in any way.
-  **DOUBLE INSULATED** to help protect against electric shock. Double insulation construction consists of 2 separate "layers" of electric insulation. Appliances built with this insulation system are not intended to be grounded. As a result, the extension cord used with your unit can be plugged into any conventional 120 volt electrical outlet. Normal safety precautions must be observed when operating an electrical appliance. The double insulation system is only for added protection against injury resulting from a possible internal electrical insulation failure.
- When the double insulation symbol (a square within a square) is used as the only marking to identify a unit as being double insulated, the symbol shall be defined in the instruction manual.
- EXTENSION CORD** - Use only with an extension cord intended for outdoor use. Match wire gauge to the cord length. See table below. A 2-wire cord without a ground connection may be used since this appliance is double insulated. If in doubt of proper wire size, use the next heavier gauge. Please note that the smaller the gauge number, the heavier the cord.

MINIMUM WIRE GAUGE RECOMMENDATIONS		
VOLTS	EXTENSION CORD LENGTH	WIRE SIZE REQUIRED
120	25 feet / 7.5m	18 A.W.G.*
	50 feet / 15m	16 A.W.G.*
	100 feet / 30m	16 A.W.G.*
*American Wire Gauge		

Table 1

- When using the appliance, an extension cord of adequate size must be used for safety and to prevent loss of power and overheating.
  - The extension cord must be specifically intended for outdoor use and marked "SJ" or "SJT" and with the suffix "WA". In Canada, the extension cord must be marked "SFTW".
  - Inspect extension power cord for loose or exposed wires and damaged insulation. If damaged, replace before using appliance.
- DO NOT ABUSE CORD** - Never carry appliance by cord or pull cord to disconnect from outlet. Keep cord clear of operator and obstacles at all times. Do not expose cord to heated surfaces, oil or water. Do not pull cord around sharp edges, corners or close door on cord.
-  **NO SERVICEABLE PARTS INSIDE** - Your double insulated appliance has no serviceable parts inside. Do not attempt to repair it yourself. For service information, contact the Yard Machines Product Service Department listed on the back cover of this User Manual.
  - RISK OF EYE INJURY** - Always wear goggles or other suitable eye protection when operating your snow thrower. Always keep bystanders at a safe distance.
  - DRESS PROPERLY** - Always wear long pants, shoes and gloves. Do not wear loose clothing, jewelry, Wear rubber boots when operating snow mover.
  - KEEP AREA CLEAR** - Keep everyone, especially children and pets away from the area of operation 50 feet (15m). Turn off unit immediately if you are approached. Never allow children to operate the appliance to be used as a toy or to run unattended at any time.
  - Do not use on graveled surface unless the snow mover is adjusted for such a surface in accordance with the operator's manual.
  - KEEP CHILDREN AWAY** - All visitors should be kept a safe distance from work area.

# RULES FOR SAFE OPERATION

13. Wear rubber boots when operating the snow mover.
14. Cautionary statements regarding the use of proper clothing and footwear during operations to reduce the risk of injury that may be caused by flying debris.
15. Operation of the snow mover in the hand-held position is unsafe, except in accordance with the special instructions for such use provided in the operator's manual.
16. **WARNING** - This snow mover should be grounded while in use to protect the operator from electric shock. To prevent electric shock use only with an extension cord suitable for outdoor use.
17. **EXTENSION CORD** - To prevent disconnection of snow mover cord from the extension cord during operation.
18. **AVOID ACCIDENTAL STARING** - Don't carry plugged - in snow mover with finger on switch. Be sure switch is off when plugging in.
19. If cord is damaged in any manner while plugged in, pull extension cord from wall receptacle.
20. **DON'T ABUSE CORD** - Never carry snow mover by cord or yank it to disconnect from receptacle. Keep cord from heat, oil, and sharp edges.
21. Keep hands away from moving parts.
22. Keep guards in place and in working order.
23. **DON'T FORCES SNOW MOVER** - It will perform better and safer at the rate for which it was designed.
24. **DON'T OVERREACH** - Keep proper footing and balance at all times.
25. If the snow mover strikes a foreign object follow these steps:
  - i) Stop snow mover.
  - ii) Inspect for damage.
  - iii) Repair any damage before restarting and operating the snow mover.
26. **DISCONNECT SNOW MOVER** - Disconnect the snow mover from the power supply when not in use, before servicing, when changing accessories, and the like.
27. **STORE IDLE SNOW MOVERS INDOORS** - When not in use, snow movers should be stored indoors in dry, locked-up place - out of reach of children.
28. **MAINTAIN SNOW MOVERS WITH CARE** - Follow instructions for lubricating and changing accessories.
29. Don't use any other accessory or attachment might increase the risk of injury.

## WHILE OPERATING

1. Walk, never run.
2. Be sure the snow thrower is not in contact with anything before starting the unit.
3. Stay away from the discharge opening at all times. Keep face, hands, and feet away from concealed moving or rotating parts.
4. Be attentive when using the snow thrower, and stay alert for holes in the terrain and other hidden hazards or traffic.
5. Do not use on a gravel surface or crushed rock surfaces. Use extreme caution when crossing gravel/crushed rock drives, walks, or roads.
6. Never clear snow from steep slopes.
7. Never attempt to use the snow thrower on a roof or any steep, inclined, slippery surfaces.
8. Never operate snow thrower without proper guards, plates or other safety protective devices in place.
9. Never operate the snow thrower near glass enclosures, automobiles, trucks, window wells, dropoffs, etc. without proper adjustment of the snow discharge angle. Keep children and pets away.
10. Don't force or overload the snow thrower. The snow thrower will perform at its best and safest when it is run at the rate for which it was designed.
11. Never direct discharge towards people or allow anyone in front of the unit while operating.
12. Wear safety glasses or goggles that are marked as meeting ANSI Z87.1 standards, and ear/hearing protection when operating this unit.
13. Use the unit only in daylight or good artificial light.
14. Avoid accidental starting. Remain in the starting position whenever starting the unit. The operator and unit must be in a stable position while starting.
15. Use the right tool. Only use this tool for the purpose intended.
16. Do not overreach. Always keep proper footing and balance.
17. Always hold the unit with both hands when operating. Keep a firm grip on handles or grips.
18. Keep hands, face, and feet at a distance from all moving parts. Do not touch or try to stop the rotor when it is rotating.
19. If the rotor will not rotate freely due to frozen ice, thaw the unit thoroughly before attempting to operate it under power.
20. Keep the rotor clear of debris.
21. Never attempt to clear the rotor with the motor running. Turn the motor off first and unplug the extension cord.

# RULES FOR SAFE OPERATION

22. Keep clothing and body parts away from the rotor.
23. Always stop the motor when clearing snow is delayed or when walking from one location to another.
24. Disengage power to the rotor when snow thrower is transported or not in use.
25. After striking a foreign object, turn the unit off and inspect the snow thrower from damage. Unplug the unit. Repair damage before restarting and operating the unit.
26. If the unit should start to vibrate abnormally, stop the unit and check immediately for the cause. Vibration is generally a warning of trouble.
27. Stop the motor and unplug the unit whenever you leave the operating position, before unclogging the rotor or discharge vanes, and when making any repairs, adjustments, or inspections.
28. Use only original equipment manufacturer replacement parts and accessories for this unit. These are available from your authorized service dealer. Use of any unauthorized parts or accessories could lead to serious injury to the user or damage to the unit, and void your warranty.
29. Do not use the unit in the hand held position. Do not pick up the unit when it is powered and running. The unit is designed to travel along the ground.

## OTHER SAFETY WARNINGS

1. Be sure to secure the unit while transporting.
2. Store the unit in a dry area, locked up or up high to prevent unauthorized use or damage, out of the reach of children.
3. Never douse or squirt the unit with water or any other liquid. Keep handles dry, clean and free from debris. Clean after each use.
4. If the labels on the unit become defaced or start lifting off, contact your authorized service dealer.
5. Keep these instructions. Refer to them often and use them to instruct other users. If you loan someone this unit, also loan them these instructions.
6. Maintain snow movers with care. Follow instructions for lubricating and changing accessories.

## EXPLANATION OF NOTE, WARNING, and WARRANTY SYMBOL

1. A **NOTE** is used to convey additional information, or highlight a particular explanation, or to expand a step instruction.
2. A **WARNING** identifies a procedure which, if not undertaken or if improperly done, can result in a serious personal injury or damage to the unit and/or both.
3. **W** (**WARRANTY SYMBOL**) serves notice that unless instructions or procedures are followed, any damage will void the warranty and repairs will be at owner's expense. Service other than user maintenance should be performed by a Yard Machines Authorized Service Center. Damage or conditions caused by improper maintenance practices which render this product inoperable will void the manufacturer's warranty.
4. **FOR WARRANTY OR SERVICE** contact the nearest Yard Machines Authorized Service Center by calling 800# on back cover.

## SAVE THESE INSTRUCTIONS

# RULES FOR SAFE OPERATION

## SAFETY AND INTERNATIONAL SYMBOLS

This operator's manual describes safety and international symbols and pictographs that may appear on this product. Read the operator's manual for complete safety, assembly, operating and maintenance and repair information.

### SYMBOL

### MEANING



- **SAFETY ALERT SYMBOL**

Indicates danger, warning, or caution. May be used in conjunction with other symbols or pictographs.



- **WARNING - READ OPERATOR'S MANUAL**

Read the Operator's Manual(s) and follow all warnings and safety instructions. Failure to do so can result in serious injury to the operator and/or bystanders.



- **SPINNING ROTOR CAN CAUSE SEVERE INJURY**

**WARNING:** Keep hands, feet, and clothing away from the discharge area. Do not step in front of the unit, or use hands to clean the rotor area.



### SYMBOL

### MEANING



- **ELECTRIC SHOCK HAZARD**

**WARNING :** Unplug unit if cord is damaged or cut.



- **THROWN OBJECTS AND ROTATING CUTTER CAN CAUSE SEVERE INJURY**

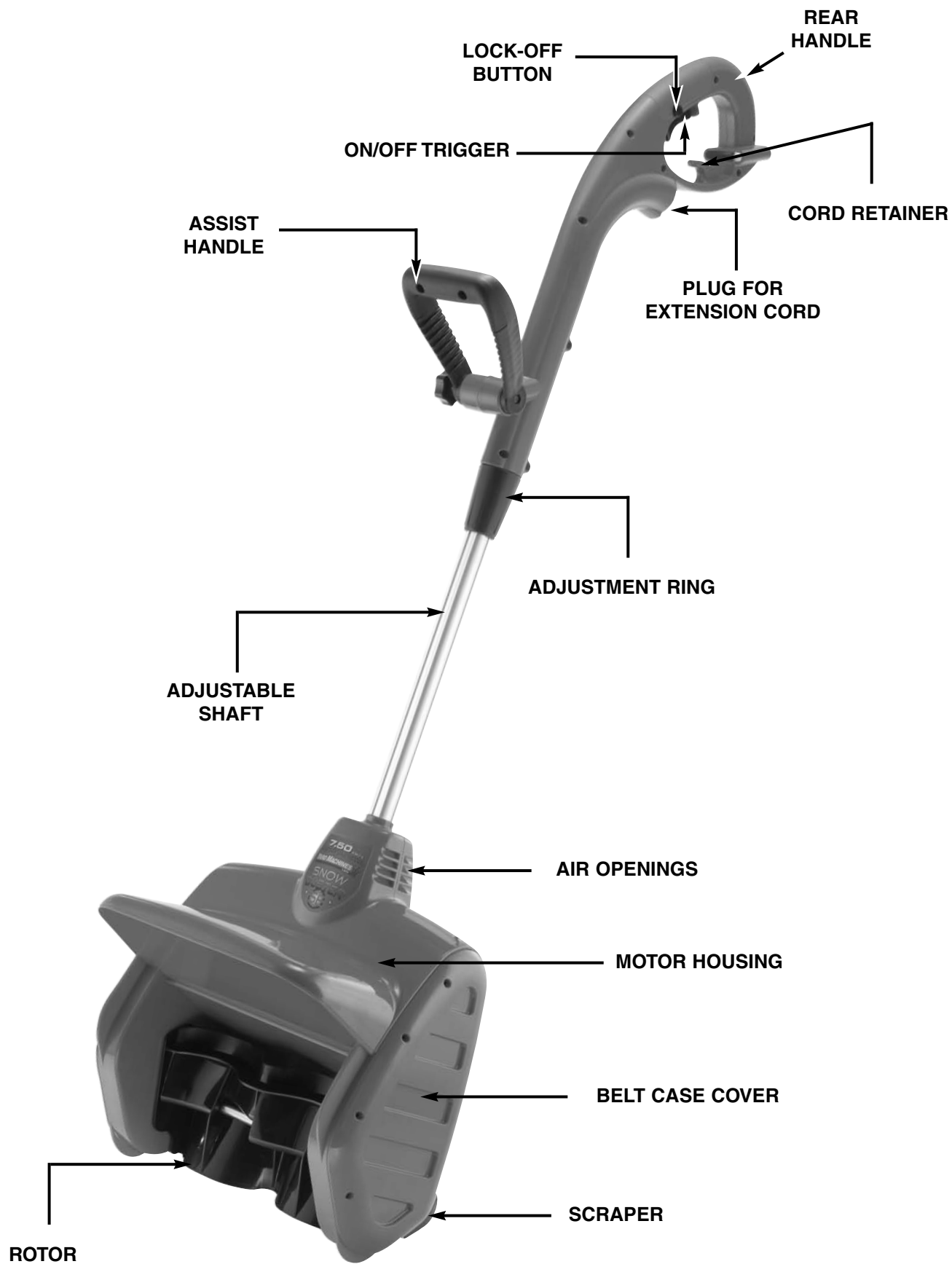
**WARNING :** Small objects can be propelled at high speed, causing injury. Keep away from the rotating rotor.



- **KEEP BYSTANDERS AWAY**

**WARNING :** Keep all bystanders, at least 50 feet (15m) from the operating area.

# RULES FOR SAFE OPERATION





# OPERATING INSTRUCTIONS

## CONNECT THE CORD

1. Ensure the cord is NOT plugged into a receptacle before this procedure.
2. Make a loop with 8" - 10" (20 - 25cm) of the end of the extension cord.
3. Place the loop into the slot (A) under the rear handle and lock into place on the cord retainer (B) as shown in Figure 1.
4. Plug the extension cord into the electrical receptacle in the snow thrower handle.
5. Plug the extension cord into a receptacle ONLY when you are ready to operate the snow thrower.

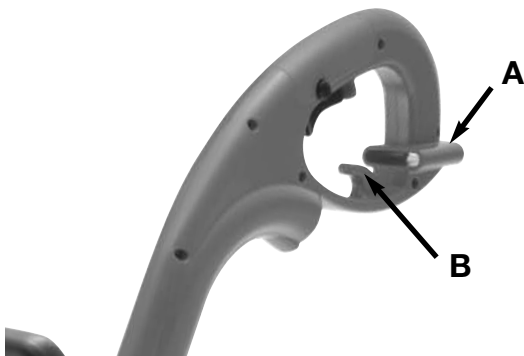


Fig. 1

## ADJUST SHAFT LENGTH

1. Loosen the adjustment ring (A) by rotating the ring clockwise.
2. Adjust the shaft to a height that is comfortable to you.
3. Tighten the adjustment ring (A) by rotating the ring (A) counter clockwise. (Fig. 2)

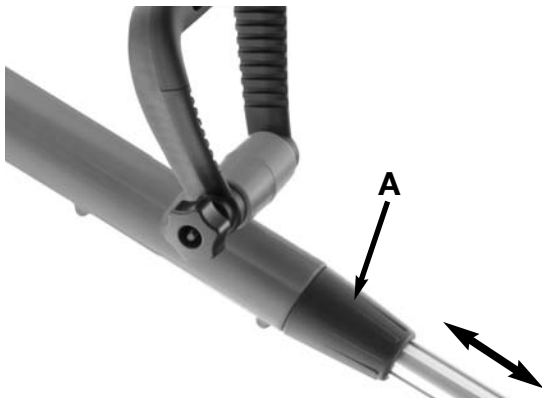


Fig. 2

## POSITIONING THE ASSIST HANDLE

1. Loosen the knob (A) on the assist handle (B). (Fig. 3)
2. Adjust the assist handle to an angle that is comfortable to you.
3. Tighten the knob on the assist handle.

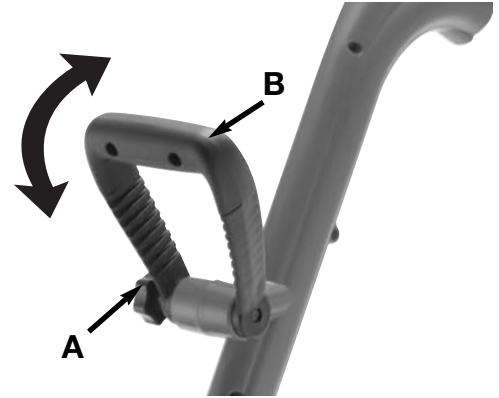


Fig. 3

## STARTING AND STOPPING

To start the snow thrower, push the button (A) on the side of the handle grip and squeeze the trigger (B). To stop the product, release the trigger. (Fig. 4)

**NOTE:** When properly started, the safety button will stay engaged when holding the trigger. When the trigger is released, the unit stops and the safety button will disengage.

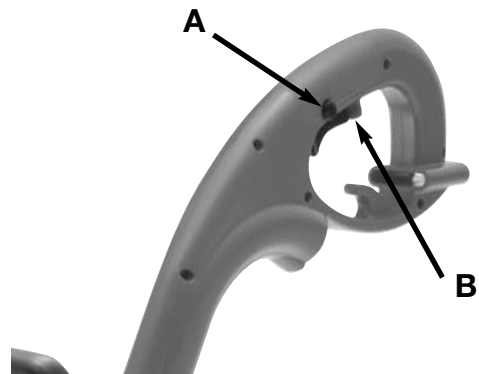


Fig. 4

# OPERATING INSTRUCTIONS

## OVERLOAD PROTECTION SWITCH

This unit is equipped with an overload protection switch to protect the circuit (that the unit is plugged into) from short circuit overloads.

### If the switch pops out:

1. Release the bail and allow the unit to stop and cool for a minute.
2. Press the overload switch (A) to reset. Resume operation. (Fig. 5)

### If the switch pops again shortly after the first time:

1. Allow the unit to cool for 15 to 30 minutes.
2. After the unit has cooled, press the overload switch to reset. Resume operation.

If the switch does not stay in or if it continues to pop out during operation, take the unit to an authorized service dealer for repair.

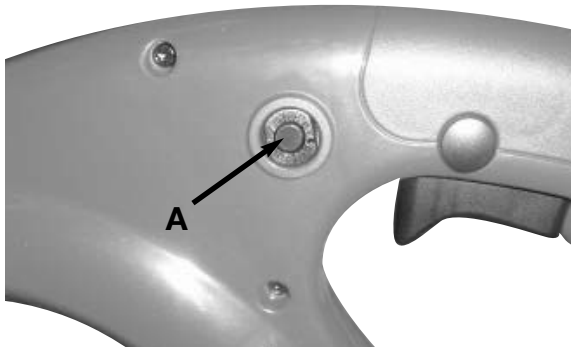


Fig. 5

## TIPS FOR BEST SNOW THROWING RESULTS

1. For the most efficient snow throwing, throw snow downwind.
2. Slightly overlap each swath you make. (Fig. 6)



Fig. 6

## OPERATING THE SNOW THROWER

1. Start the unit according to the starting instructions.  
The depth and weight of the snow governs the forward speed.
2. Push the unit so that it rides on the scraper.
3. Make sure the power cord is attached to the cord retainer. The power cord should trail to the side of the operator.


# MAINTENANCE INSTRUCTIONS

## SERVICING THE UNIT

Extreme care and knowledge of the system is required when servicing this unit. Service should be performed by qualified service personnel only. Replacement parts for this unit must be identical to the parts they replace. Refer any repair to an authorized service dealer.

## INSPECTING/REPLACING THE DRIVE BELT

When servicing the unit, use only original equipment manufacturer replacement parts. Inspect the drive belt once a year or every 50 hours of operation, whichever comes first, for wear. If the drive belt needs to be replaced, use the following instructions.

	<p><b>WARNING:</b> To avoid serious personal injury, turn off the unit and allow it to cool. Unplug the unit before you perform any maintenance.</p>
--	--

1. Remove the 7 screws (A) from the belt case cover (B) using a #T20 torx bit or flat blade screwdriver. (Fig. 7)
2. Remove the flange lock nut (C) and remove the 3 screws (D) from the belt case cover (E) using a #T20 Torx bit or flat blade screwdriver. (Fig. 8)
3. Pull the belt tensioner (F) away from the drive pulley (G). Remove the damaged or broken belt (H) from the driven pulley (I) and drive pulley inside of the housing. Discard appropriately. (Fig. 9)
4. Loop the new belt around the drive pulley and driven pulley (Fig. 8). Pull the belt tensioner (idler arm) away from the drive pulley to install the belt around the drive pulley.

**NOTE:** Make sure the washer is still in place on the driven pulley shaft prior to reinstalling the belt case cover.

5. Reinstall the flange lock nut. Torque the nut to 50-100 in•lb (90-11.2 N•m) and reinstall the 3 screws. Torque all screws to 18-23 in•lb (20-2.5 N•m).
6. Reinstall the cover with the 7 screws. To make installation easier, place the narrow part of the cover into the recess of the housing. Install the top 2 screws, then push the rest of the cover down into the recess and over the rotor shaft. Torque all 7 screws to 18-23 in•lb (20-2.5 N•m)

**NOTE:** If the flange lock nut is damaged, do not replace it with a standard nut. Replace only with an original equipment manufacturer replacement part.

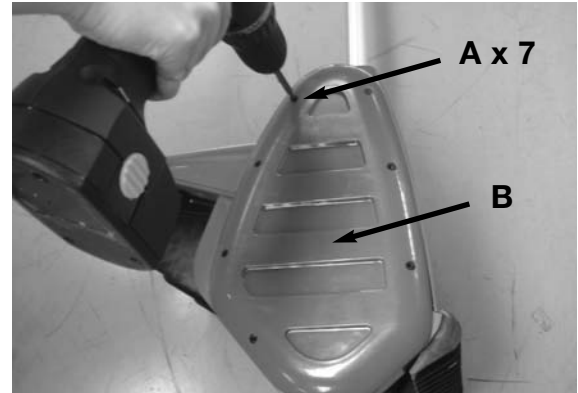


Fig. 7

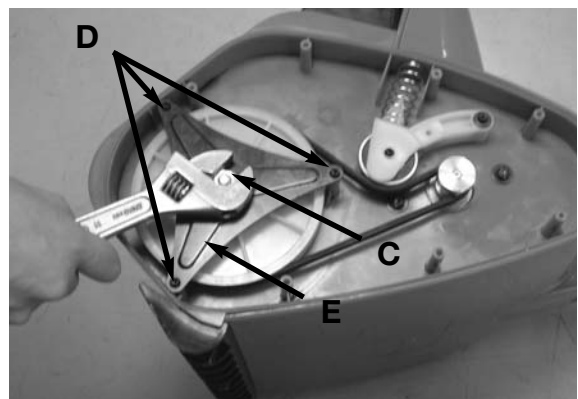


Fig. 8

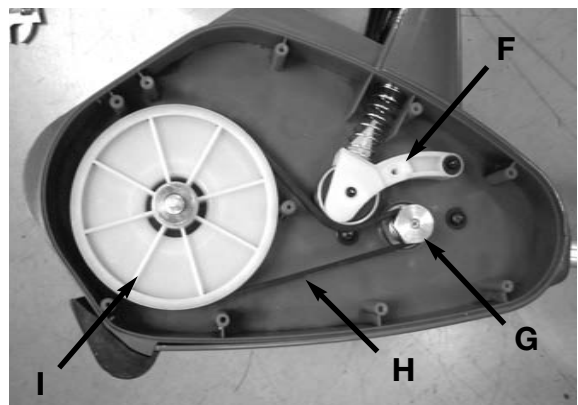


Fig. 9

# MAINTENANCE INSTRUCTIONS

## REPLACING THE PLATE

Use only original equipment manufacturer replacement parts.



**WARNING:** To avoid serious personal injury, always turn your unit off and unplug it before you perform maintenance.

1. Place the unit on the ground or on a work bench. Position the unit so the vanes and rotor are facing up.
2. Beneath the rotor, locate the 3 screws (A) securing the plate (B) to the housing. Remove them using a #T20 Torx bit or flat blade screwdriver. (Fig. 10)
3. Remove the scraper and discard it appropriately.
4. The new scraper will snap into place. Once in place, attach it to the unit by reinstalling the 3 screws.

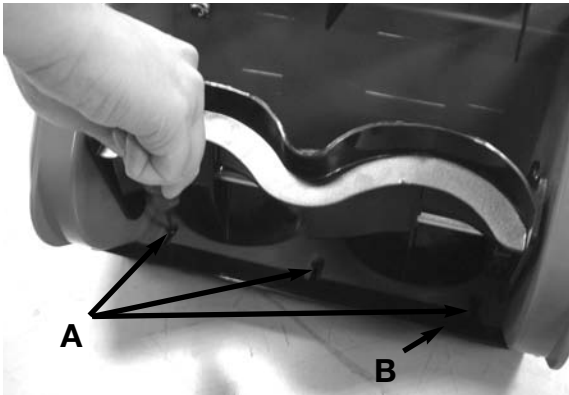


Fig. 10

## STORAGE

1. Allow the motor to cool before storing.
2. Store the unit locked up to prevent unauthorized use or damage.
3. Store the unit in a dry, well-ventilated area.
4. Store the unit out of the reach of children.

## CLEANING



**WARNING:** To avoid serious personal injury, always turn your unit off and unplug it before you clean or service it.

Use a small brush to clean off the outside of the unit. Do not use strong detergents. Household cleaners that contain aromatic oils such as pine and lemon, and solvents such as kerosene, can damage plastic housing or handle. Wipe off any moisture with a soft cloth.

## TRANSPORTING

1. Secure the unit while transporting.
2. To move the unit, grasp it by the top and middle front handles.

# TROUBLESHOOTING

## UNIT WILL NOT START

### CAUSE

Unit is unplugged  
Trigger lock button or trigger were improperly actuated  
Overload protection switch has popped out

### ACTION

Check cord to make sure it is plugged into an electrical outlet  
Press in trigger lock button, hold it, and press in trigger  
Push it in and follow the starting instructions

## MOTOR IS ON, BUT ROTOR WILL NOT TURN

### CAUSE

Belt is damaged

### ACTION

Replace the belt, according to inspecting/Replacing the driver belt

## UNIT LEAVES A THIN LAYER OF SNOW ON PLOWED SURFACES

### CAUSE

Scraper is worn

### ACTION

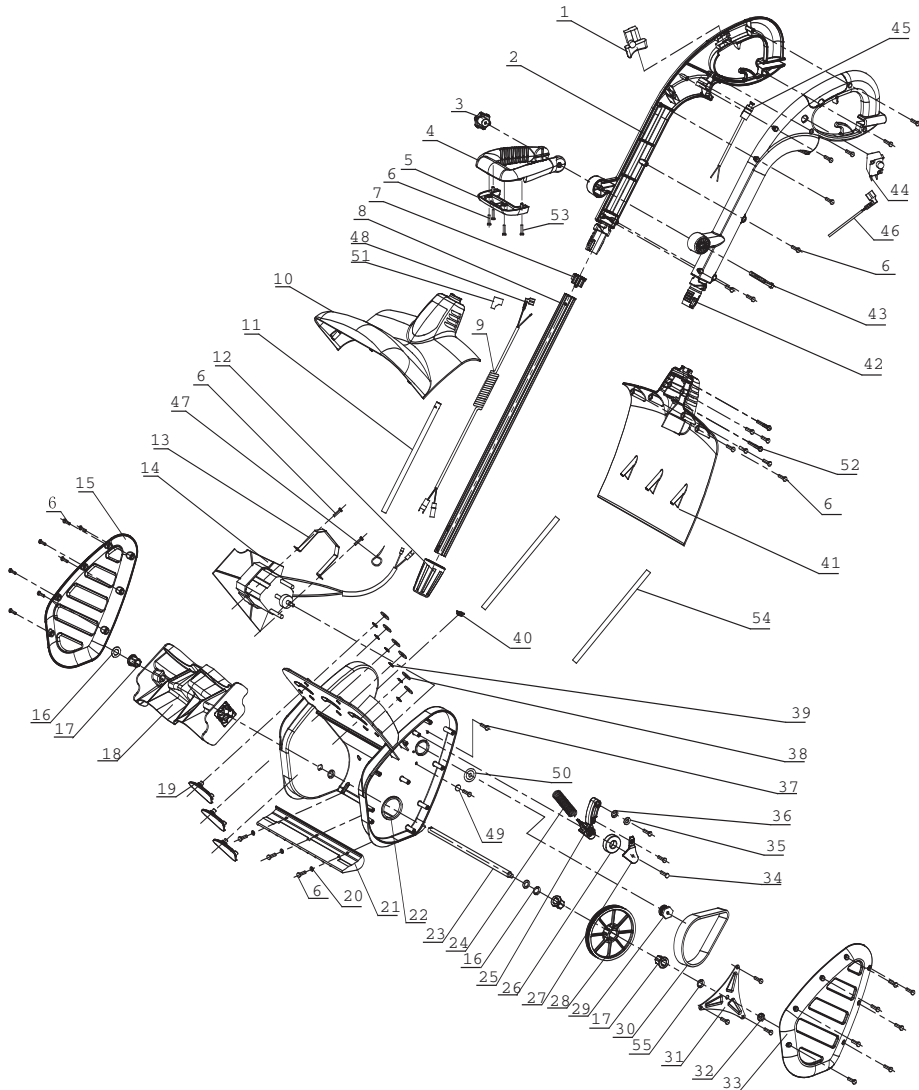
Replace the scraper

**If further assistance is required, contact your authorized service dealer**

# SPECIFICATIONS

Motor type .....	A. C. 120 Volts Electric
Amperage .....	7.5 Amps
clearing Width .....	12.5" (318mm)
Intake Height .....	6" (152mm)
Weight .....	15 lbs

# PARTS LIST



<u>No.</u>	<u>Parts No.</u>	<u>Description</u>	<u>No.</u>	<u>Parts No.</u>	<u>Description</u>
1	6022-MD2301	SWITCH	29	6137-MD2302	PULLEY ACTIVE
2	6068-MD2301	HANDLE RIGHT	30	6149-MD2301	STRAP
3	6134-MD2301	KNOB	31	6072-MD2301	FIXED PLATE
4	6196-MD2302	ASSIST HANDLE	32	9NAC-08	NUT
5	6196-MD2301	ASSIST HANDLE	33	6017-MD2302	COVER LEFT
6	6SGEBB04-18	SCREW	34	6SDABB04-20	SCREW
7	6070-MD2301	PLUG PIPE	35	6WFB-04-12	WASHER
8	6037-MD2301	TUBE	36	9WFB-08-13	WASHER
9	6010-MD2301	SPRING CODE	37	9SKKBY10/24-0.5	SCREW
10	6067-MD2301	HOUSING TOP	38	6014-MD2302	WASHER
11	6129-MD2301	PIPE	39	6189-MD2301	WASHER
12	6131-MD2301	SPOOL	40	6078-MD2301	CAP
13	6187-MD2301	FIXED PLATE	41	6067-MD2302	HOUSING BOTTOM
14	6099-MD2301	MOTOR	42	6068-MD2302	HANDLE LEFT
15	6017-MD2301	COVER RIGHT	43	6SXDZ-06-100	SCREW
16	6014-MD2301	WASHER	44	6272-MD2301	PROTECT SWITCH
17	6148-MD2301	SLEEVE	45	6041-MD2301	CONNECTOR
18	6250-MD2301	BLADE	46	6010-MD2304	WIRE ASSY
19	6100-MD2302	PLATE	47	6032-070-01	BAND, PLASTIC
20	6WFB-04	WASHER	48	6041-610201	TERMINAL
21	6200-MD2301	PLATE	49	6014-MD2303	WASHER
22	6064-MD2301	MAIN BODY	50	6139-MD2302	PLASTIC WASHER
23	6111-MD2302	SHAFT	51	6059-MD2304	PIPE
24	6024-MD2301	SPRING	52	6SGEBB04-35	SCREW
25	6004-MD2302	HOLDER BOTTOM	53	6SDABB3.5-18	SCREW
26	6DB-620301	BEARING	54	6183-MD2301	GASKET
27	6004-MD2301	HOLDER TOP	55	6014-211901	WASHER
28	6137-MD2301	PULLEY			

# NOTES

# MANUFACTURER'S LIMITED WARRANTY FOR:



The limited warranty set forth below is given by MTD LLC ("MTD") with respect to new merchandise purchased and used in the United States and Canada, its possessions and territories.

MTD warrants this product against defects in material and workmanship for a period of two (2) years commencing on the date of original purchase and will, at its option, repair or replace, free of charge, any part found to be defective in material or workmanship. This limited warranty shall only apply if this product has been operated and maintained in accordance with the Operator's Manual furnished with the product, and has not been subject to misuse, abuse, commercial use, neglect, accident, improper maintenance, alteration, vandalism, theft, fire, water or damage because of other peril or natural disaster. Damage resulting from the installation or use of any accessory or attachment not approved by MTD for use with the product(s) covered by this manual will void your warranty as to any resulting damage. This warranty is limited to ninety (90) days from the date of original retail purchase for any MTD product that is used for rental or commercial purposes, or any other income-producing purpose will void the warranty.

**HOW TO OBTAIN SERVICE:** Warranty service is available, WITH PROOF OF PURCHASE THROUGH YOUR LOCAL AUTHORIZED SERVICE DEALER. To locate the dealer in your area, please check for a listing in the Yellow Pages or contact the Customer Service Department of MTD LLC by calling 1-866-747-9816 or writing to P.O. Box 361131, Cleveland OH 44136-0019 or if in Canada call 1-800-668-1238. No product returned directly to the factory will be accepted unless prior written permission has been extended by the Customer Service Department of MTD LLC.

**This limited warranty does not provide coverage in the following cases:**

- A. Drive Belt.
- B. MTD does not extend any warranty for products sold or exported outside of the United States of America and Canada, its possessions and territories, except those sold through MTD's authorized channels of export distribution.

MTD reserves the right to change or improve the design of any MTD Product without assuming any obligation to modify any product previously manufactured.

**No implied warranty, including any implied warranty of merchantability or fitness for a particular purpose, applies after the applicable period of express written warranty above as to the parts as identified. No other express warranty or guaranty, whether written or oral, except as mentioned above, given by any person or entity, including a dealer or retailer, with respect to any product shall bind MTD. During the period of the Warranty, the exclusive remedy is repair or replacement of the product as set forth above.** (Some states do not allow limitations on how long an implied warranty lasts, so the above limitation may not apply to you.)

**The provisions as set forth in this Warranty provide the sole and exclusive remedy arising from the sales. MTD shall not be liable for incidental or consequential loss or damages including, without limitation, expenses incurred for substitute or replacement lawn care services, for transportation or for related expenses, or for rental expenses to temporarily replace a warranted product.** (Some states do not allow limitations on how long an implied warranty lasts, so the above limitation may not apply to you.)

In no event shall recovery of any kind be greater than the amount of the purchase price of the product sold. Alteration of the safety features of the product shall void this Warranty. You assume the risk and liability for loss, damage, or injury to you and your property and/or to others and their property arising out of the use or misuse or inability to use the product.

This limited warranty shall not extend to anyone other than the original purchaser, original lessee or the person for whom it was purchased as a gift.

**How State Law Relates to this Warranty:** This warranty gives you specific legal rights, and you may also have other rights which vary from state to state.

To locate your nearest service dealer dial 1-866-747-9816 in the United States or 1-800-668-1238 in Canada.

**MTD LLC**  
P.O. Box 361131  
Cleveland, OH 44136-0019



# **YARD MACHINES**

by **MTD**

French

## Manuel de Utilisation

**Déneigeuse**

**Électrique**

**31A-020-900**



**MTD**  
For A Growing World.™

**IMPORTANT: LISEZ LES RÈGLES ET  
CONSIGNES DE SÉCURITÉ SOIGNEUSEMENT**

P/N 6096-MD2301  
FABRIQUÉ À CHINA

Download from [www.Somanuals.com](http://www.Somanuals.com). All Manuals Search And Download.

## TABLE DES MATIÈRES

Consignes de sécurité	Pages 18-23	Liste des pièces	Page 29
Instructions pour montage	Pages 24-25	Notes	Page 30
Instructions de mantenimiento	Pages 26-27	Garantie limitée du fabricant pour	Page 31
Dépannage	Page 28		
Caractéristiques	Page 28		

# CONSIGNES DE SÉCURITÉ

Les symboles de sécurité attirent votre attention sur des dangers potentiels. Ces symboles et leurs détails explicatifs méritent que vous les lisiez et compreniez bien. Les avertissements de sécurité ne peuvent éviter les dangers de par eux-mêmes. Les consignes ou mises en garde qu'ils donnent ne remplacent pas des mesures préventives appropriées contre les accidents.

## SYMBOLE SIGNIFICATION



### ALERTE DE SÉCURITÉ:

indique un danger, un avertissement ou une mise en garde. Soyez vigilant afin d'éviter toute blessure grave. Ce symbole peut être combiné à d'autres symboles ou pictogrammes.

**NOTE:** Advises you of information or instructions vital to the operation or maintenance of the equipment.

**Read the Operator's Manual(s) and follow all warnings and safety instructions.**

**Failure to do so can result in serious injury to the operator and/or bystanders.**

**FOR QUESTIONS, CALL 1-800-668-1238**

## SYMBOLE SIGNIFICATION



**DANGER:** le non-respect d'un avertissement peut causer dommages matériels ou blessures graves pour tous. Respectez les consignes de sécurité afin de réduire les risques d'incendie, d'électrocution et de blessures.



**AVERTISSEMENT:** le non-respect d'un avertissement peut causer dommages matériels ou blessures graves pour tous. Respectez les consignes de sécurité afin de réduire les risques d'incendie, d'électrocution et de blessures.



**MISE EN GARDE:** le non-respect d'un avertissement peut causer dommages matériels ou blessures graves pour tous. Respectez toujours les consignes de sécurité afin de réduire les risques d'incendie, d'électrocution et de blessures.

## • IMPORTANTES CONSIGNES DE SÉCURITÉ •

### LISEZ TOUTES LES INSTRUCTIONS AVANT UTILISATION



### AVERTISSEMENT :

Lorsque vous utilisez l'appareil, veuillez lire les instructions quant aux règles de sécurité avant utilisation afin d'assurer la sécurité de l'utilisation et de son entourage. Veuillez conserver ces instructions pour une utilisation ultérieure.

- Lisez les instructions avec attention. Familiarisez-vous avec les commandes et la bonne utilisation de l'appareil.
- N'utilisez pas cet appareil si vous êtes fatigué, ou sous l'influence d'alcool, de drogues et autres médicaments.
- Les enfants ne doivent pas utiliser l'appareil. Les adolescents doivent être accompagnés et guidés par un adulte.
- Toutes les protections et pièces de sécurité doivent être installées correctement avant d'utiliser l'appareil.


- Inspectez l'appareil avant utilisation. Remplacez les pièces endommagées. Assurez-vous que toutes les fixations sont en place. Remplacez les pièces fissurées, ébréchées ou endommagées de quelque façon que ce soit. N'utilisez pas l'appareil avec des pièces desserrées ou endommagées.
- Inspectez minutieusement la zone avant de commencer à utiliser l'appareil. Enlevez tous les débris et les objets durs ou pointus tels que le verre, les fils, etc.
- Eloignez les enfants, l'entourage et les animaux domestiques de la zone. Au minimum, tenez les enfants, votre entourage et les animaux domestiques hors d'un rayon de 50 pieds (15m.) ; il reste toujours un risque de projection pour votre entourage. Si on vous approche, arrêtez immédiatement l'appareil.

# CONSIGNES DE SÉCURITÉ

## LIRE ET CONSERVER CES INSTRUCTIONS

Lorsqu'un appareil électrique est utilisé, des précautions élémentaires doivent toujours être prises pour assurer une sécurité maximum et une performance optimale. Lire cette Notice avant d'assembler et d'utiliser cet appareil. Ne pas se conformer aux instructions peut causer des secousses électriques, des brûlures, un incendie ou des blessures corporelles.

## AVERTISSEMENT POUR RÉDUIRE LES RISQUES DE BRÛLURES, D'INCENDIE, DE SECOUSSES ÉLECTRIQUES OU DE BLESSURES :


1. **RESPECTER TOUTES LES MESURES DE SÉCURITÉ** figurant dans cette Notice avant et durant l'utilisation du coupe-herbe.
2. **POUR RÉDUIRE LES RISQUES DE SECOUSSES ÉLECTRIQUES**, cet équipement est muni d'une fiche polarisée (une broche est plus large que l'autre). Cette fiche ne peut être branchée que dans un sens et que dans une prise de courant polarisée. Si la fiche ne peut pas être enfoncée à fond dans la prise de courant, inverser le sens de la fiche. Ne jamais modifier la fiche de l'appareil.
3. **INSPECTER L'APPAREIL À LA RECHERCHE DE DOMMAGES** qu'auraient pu subir le carter, le cordon électrique ou à la fiche. Toutes les fixations doivent être bien serrées. Ne pas utiliser l'appareil si la gâchette ne permet pas de l'arrêter adéquatement. Ne jamais utiliser l'appareil si le cordon électrique ou la fiche est endommagé, si le moteur ou le coupe-herbe lui-même ne fonctionne pas correctement ou s'il est tombé, s'il a été endommagé, laissé à l'extérieur ou plongé dans l'eau. Ne pas utiliser l'appareil si les trous de ventilation sont bouchés. Toujours enlever les débris qui risqueraient de limiter la circulation de l'air par les trous de ventilation. Remplacer les pièces endommagées qui sont ébréchées, cassées ou qui ont été endommagées d'une manière ou d'une autre et qui risqueraient d'être projetées et causer de graves blessures. Garder le couteau de coupeur aigu.
4.  **DOUBLE ISOLATION** pour protéger l'utilisateur des risques de secousses électriques. La double isolation consiste en deux «couches» d'isolant électrique. Les appareils construits avec ce type d'isolation ne sont pas conçus pour être mis à la terre. Par conséquent, le cordon prolongateur utilisé avec le coupe-herbe peut être branché dans n'importe quelle prise de courant de 120 volts. Des mesures de sécurité élémentaires doivent toujours être prises lorsqu'un appareil électrique est utilisé. La double isolation constitue seulement une protection supplémentaire en cas de défaillance de l'isolant interne.

5. Quand le symbole double d'isolation (un carré dans un carré) est utilisé comme la seule marque pour identifier une unité comme est double isolé, le symbole sera défini dans le manuel d'instruction.
6. **CORDON PROLONGATEUR** - Ne brancher cet appareil que dans un cordon prolongateur conçu pour usage extérieur et d'un calibre adéquat en fonction de sa longueur. Voir le tableau ci-dessous. Un cordon prolongateur à 2 conducteurs ne possédant pas de connexion à la terre peut être utilisé étant donné que cet appareil est à double isolation. Si l'on n'est pas sûr du calibre du cordon prolongateur à utiliser, utiliser un cordon prolongateur de calibre immédiatement supérieur. Il est à noter que plus le numéro du calibre est petit plus le cordon prolongateur est gros.

RECOMMANDATIONS DE CALIBRE DE FIL MINIMUM		
TENSION	LONGUEUR DU CORDON	CALIBRE DE FIL REQUIS
120	25 pieds / 7,5m	18 A.W.G.*
	50 pieds / 15m	16 A.W.G.*
	100 pieds / 30m	16 A.W.G.*

\*American Wire Gauge (CALIBRE AMERICAIN)

Tableau 1

- (1). Un cordon prolongateur de diamètre approprié doit être utilisé pour éviter les pertes de puissance et la surchauffe de l'appareil.
  - (2). Le cordon prolongateur doit être spécialement conçu pour usage extérieur et porter la mention «SJ» ou «SJT» et le suffixe «WA». Au Canada, le cordon prolongateur doit porter la mention «SFTW».
  - (3). S'assurer que le cordon prolongateur ne comporte pas de fils dénudés ni desserrés et que l'isolant n'est pas endommagé. En cas de dommages, remplacer le cordon prolongateur avant d'utiliser l'appareil.  
**NE PAS MALTRAITER LE CORDON** - Ne jamais transporter l'appareil par le cordon électrique ni tirer sur le cordon électrique pour débrancher l'appareil. Le cordon électrique doit toujours être tenu à l'écart de l'opérateur et des obstacles. Ne pas exposer le cordon électrique à des surfaces chaudes, de l'huile ou de l'eau. Ne pas tirer le cordon électrique autour d'angles vifs, de coins et veiller à ne pas le coincer dans une porte en la fermant.
7.  **AUCUNE PIÈCE INTERNE N'EST RÉPARABLE PAR L'UTILISATEUR** - Cet appareil à double isolation ne comporte aucune pièce interne réparable par l'utilisateur. Ne pas essayer de le réparer soi-même. Pour tout renseignement concernant l'entretien, s'adresser à un Centre de réparation Yard Machines dont le numéro figure sur la couverture arrière de cette Notice d'utilisation.

# CONSIGNES DE SÉCURITÉ

8. **RISQUE DE BLESSURE A L'CEIL** - Portez toujours des lunettes ou autres protections pour les yeux lorsque vous utilisez votre déneigeuse. Tenez toujours votre entourage à une distance de sécurité.
  9. **HABILLEZ-VOUS CORRECTEMENT** - Portez toujours des pantalons longs, des chaussures et des gants. Ne portez pas de vêtements amples, de bijoux ; Portez des bottes en caoutchouc lorsque vous utilisez le déneigeuse.
  10. **LAISSEZ LA PLACE DEGAGEE** - Tenez tout le monde, surtout les enfants et les animaux domestiques, à l'écart de la zone d'utilisation, à 50 pieds (15m). Eteignez immédiatement l'appareil si on vous approche. Ne laissez jamais un enfant utiliser l'appareil comme un jouet ou le faire fonctionner sans surveillance.
  11. N'utilisez pas sur une surface de graviers à moins que la déneigeuse ne soit réglée en conséquence et conformément au mode d'emploi.
  12. **TENEZ LES ENFANTS A L'ECART** - Tous les visiteurs doivent être tenus à une distance de sécurité de la zone de travail.
  13. Portez des bottes en caoutchouc lorsque vous utilisez le déneigeuse.
  14. Les consignes d'attention concernant l'utilisation de vêtements et chaussures appropriés pendant l'utilisation visent à réduire le risqué de blessures qui pourrait survenir en raison de débris volants.
  15. L'utilisation de la déneigeuse en position manuelle n'est pas sûre, sauf si cela est fait en accord avec les instructions particulières fournies dans le mode d'emploi.
  16. **AVERTISSEMENT** - Cette déneigeuse doit être reliée la masse lorsqu'elle est en fonctionnement afin de protéger l'opérateur de l'électrocution. Pour éviter les électrocutions, n'utilisez que des prolongateurs adaptés à un environnement extérieur.
  17. **PROLONGATEUR** - Eviter que le cordon de la déneigeuse se débranche du prolongateur pendant l'utilisation.
  18. **EVITER LE DEMARRAGE ACCIDENTEL** - Ne pas transporter la déneigeuse branchée avec le doigt sur l'interrupteur. Assurez-vous que l'interrupteur est sur Arrêt lors du branchement.
  19. Si le cordon est endommagé d'une quelconque façon, enlevez le prolongateur de la prise secteur.
  20. **NE TIREZ PAS SUR LE CORDON** - Ne transportez jamais la déneigeuse par le cordon et ne tirez pas sur le cordon pour le débrancher du secteur. Tenez le cordon à l'écart de la chaleur, de l'huile, et de arrêtes tranchantes.
  21. Tenez les mains éloignées des parties mobiles.
  22. Tenez les protections en place et en état de marche.
  23. **NE FORCEZ PAS LA DENEIGEUSE** - Elle fonctionnera mieux et de façon plus sûre à la vitesse pour laquelle elle a été conçue.
  24. **N'ALLEZ PAS HORS DE PORTEE** - Gardez un bon appui et un bon équilibre à tout moment.
  25. Si la déneigeuse percute un corps étranger, suivez les étapes suivantes:
    - i) Arrêtez la déneigeuse.
    - ii) Inspectez les dégâts.
    - iii) Réparez tout dégât avant de redémarrer et d'utiliser la déneigeuse.
  26. **DEBRANCHEZ LA DENEIGEUSE** - Débranchez la déneigeuse de l'alimentation électrique lorsqu'elle n'est pas utilisée, avant l'entretien, lors du remplacement d'accessoires, et autre.
  27. **STOCKEZ LES DENEIGEUSES EN INTERIEUR** - Lorsqu'elles ne sont pas utilisées, les déneigeuses doivent être stockées en intérieur, au sec, et dans un endroit verrouillé - hors de portée des enfants.
  28. **MAINTENEZ LES DENEIGEUSES AVEC SOIN** - Suivez les instructions pour la lubrification et le remplacement d'accessoires.
  29. N'utilisez aucun autre accessoire ou pièce rapportée qui pourrait augmenter le risque de blessure.
- ## PENDANT L'UTILISATION
1. Marchez, ne courez jamais.
  2. Assurez-vous que la déneigeuse n'est pas en contact avec quoi que ce soit avant de démarrer l'appareil.
  3. Restez à distance de l'ouverture de décharge à tout moment. Conservez le visage, les mains et les pieds à l'écart des pièces mobiles ou rotatives cachées.
  4. Soyez attentif lorsque vous utilisez la déneigeuse, et restez vigilant quant aux trous dans le terrain et autres dangers ou traffics cachés.
  5. N'utilisez pas sur une surface de sable ou de graviers. Faites extrêmement attention lorsque vous traversez des allées, des chemins ou des routes de sable ou de graviers.
  6. N'enlevez jamais la neige des pentes raides.
  7. N'essayez jamais d'utiliser la déneigeuse sur un toit ou une autre surface incline, raide ou glissante.
  8. N'utilisez jamais la déneigeuse sans plaques de protection appropriées ou autre dispositifs de protection de sécurité en place.
  9. N'utilisez jamais la déneigeuse près d'enceintes en verre, d'automobiles, de camions, de fenêtres, de puits, d'à-pics, etc sans un réglage correct de l'angle de décharge de la neige. Tenez enfants et animaux domestiques à l'écart.
  10. Ne forcez pas et ne surchargez pas la déneigeuse. La déneigeuse fonctionnera mieux et de façon plus sûre à la vitesse pour laquelle elle a été conçue.

# CONSIGNES DE SÉCURITÉ

11. Ne déchargez jamais directement vers des gens et ne laissez personne rester devant l'appareil en fonctionnement.
12. Portez des lunettes ou un masque de sécurité, marqué conforme aux normes ANSI Z87.1, et des protections auditives lorsque l'appareil est en marche.
13. N'utilisez l'unité qu'à la lumière du jour ou avec une bonne lumière artificielle.
14. Évitez tout démarrage accidentel. Restez en position de démarrage à chaque fois que vous démarrez l'appareil. L'opérateur et l'appareil doivent être en position stable lors du démarrage.
15. Utilisez le bon outil. N'utilisez un outil que pour ce à quoi il sert.
16. N'allez pas hors de portée. Gardez un bon appui et un bon équilibre à tout moment.
17. Tenez toujours l'appareil à deux mains quand il est en marche. Tenez fermement les poignées ou les grips.
18. Tenez les mains, le visage et les pieds à bonne distance de toutes les pièces mobiles. Ne touchez pas le rotor et n'essayez pas de l'arrêter pendant qu'il tourne.
19. Si le rotor ne tourne pas librement à cause de glace congelée, laissez bien fondre avant de tenter d'utiliser l'appareil sous tension.
20. Gardez le rotor libre de tout débris.
21. Ne tentez jamais de nettoyer le rotor quand le moteur tourne. Éteignez le moteur d'abord, et débranchez le cordon d'alimentation.
22. Conservez vos vêtements et les parties du corps à distance du rotor.
23. Arrêtez toujours le moteur lorsque vous différez le déblayage de neige ou lorsque vous vous déplacez d'un endroit à un autre.
24. Désengagez l'alimentation du rotor lorsque la déneigeuse est transportée ou n'est pas utilisée.
25. Après avoir percuté un corps étranger, éteignez l'appareil et inspectez les dégâts sur la déneigeuse. Débranchez l'appareil. Réparez tout dégât avant de redémarrer et d'utiliser l'appareil.
26. Si l'appareil commence à vibrer anormalement, arrêtez le et vérifiez immédiatement quelle en est la cause. Les vibrations sont en général l'annonce de problèmes.
27. Arrêtez le moteur et débranchez l'appareil dès que vous quittez la position d'utilisation, avant de déblayer le rotor et de décharger les palettes, et lorsque vous faites des réparations, des réglages ou des inspections.
28. N'utilisez que des pièces de rechange et des accessoires d'origine pour cet appareil. Ils sont disponibles auprès de votre représentant de maintenance agréé. L'utilisation de pièce ou d'accessoires non agréés

peut causer de sérieuses blessures à l'utilisateur ou endommager l'appareil, et annuler votre garantie.

29. N'utilisez pas l'appareil en position manuelle. Ne ramassez pas l'appareil lorsqu'il est sous tension et en marche. L'appareil est conçu pour voyager le long du sol.

## AUTRES AVERTISSEMENT DE SECURITE

1. Assurez-vous d'attacher l'appareil pour le transport.
2. Stockez l'appareil dans une zone sèche, verrouillée ou en hauteur pour éviter une utilisation non autorisée ou des dégâts, et hors de portée des enfants.
3. Ne mouillez jamais l'appareil avec de l'eau ou un autre liquide. Tenez les poignées sèches, propres et libres de débris. Nettoyez après chaque utilisation.
4. Si les étiquettes de l'appareil s'effacent ou deviennent illisibles, contactez votre représentant de maintenance agréé.
5. Conservez ces instructions. Référez-vous y souvent et utilisez les pour informer les autres utilisateurs. Si vous prêtez cet appareil, prêtez également ces instructions.
6. Maintenez la déneigeuse avec soin. Suivez ces

## EXPLICATION DES NOTA, AVERTISSEMENTS ET SYMBOLES DE LA GARANTIE

1. Un **NOTA** est destiné à fournir des informations complémentaires, à éclaircir un point particulier ou à expliquer plus en détail une étape.
2. Un **AVERTISSEMENT** identifie une procédure qui risque de causer de graves blessures corporelles ou de graves dommages à l'appareil et/ou les deux si elle n'est pas respectée ou si elle est mal effectuée.
3. Le **G** (**SYMBOLE DE GARANTIE**) indique que si les procédures ou instructions n'ont pas été respectées, les dommages causés annuleront la garantie et que les réparations seront à la charge du propriétaire. Pour des services autres que ceux d'entretien à effectuer par l'utilisateur, s'adresser à un Centre de réparation agréé Yard Machines. La garantie du fabricant sera nulle et non avenue si des dommages ou des conditions causés par de mauvaises pratiques d'entretien rendent le produit inutilisable.
4. **POUR TOUT ENTRETIEN OU SERVICE AU TITRE DE LA GARANTIE** prenez contact avec le Centre de maintenance agréé MTD le plus proche en appelant le numéro gratuit 800# mentionné sur le capot arrière.

# CONSERVER CES INSTRUCTIONS

# CONSIGNES DE SÉCURITÉ

## SYMBOLES DE SÉCURITÉ ET INTERNATIONAUX

Ce manuel de l'utilisateur décrit les symboles et pictogrammes de sécurité et internationaux pouvant apparaître sur ce produit. Consultez le manuel de l'utilisateur pour les informations concernant la sécurité, le montage, le fonctionnement, l'entretien et les réparations.

### SYMBOLE

### SIGNIFICATION

### SYMBOLE SIGNIFICATION



- **SYMBOLE ALERTE DE SÉCURITÉ**

Indique un danger, un avertissement ou une mise en garde. Ce symbole peut être combiné à d'autres symboles ou pictogrammes.



- **RISQUE D'ELECTROCUTION**

**AVERTISSEMENT :** Débranchez cet appareil si le cordon est endommagé ou coupé.



- **AVERTISSEMENT - LISEZ LE MODE D'EMPLOI**

Lisez le(s) mode(s) d'emploi et suivez tous les avertissements et consignes de sécurité. Ne pas le faire peut vous exposer à des blessures graves pour l'utilisateur ou pour son entourage.



- **LES OBJETS PROJETS ET LES LAMES EN ROTATION PEUVENT CAUSER DE SEVERES BLESSURES**

**AVERTISSEMENT :** Les petits objets peuvent être projetés à haute vitesse, causant des blessures. Restez à l'écart du rotor en marche.



- **LE ROTOR EN ROTATION PEUT CAUSER DE SEVERES BLESSURES**

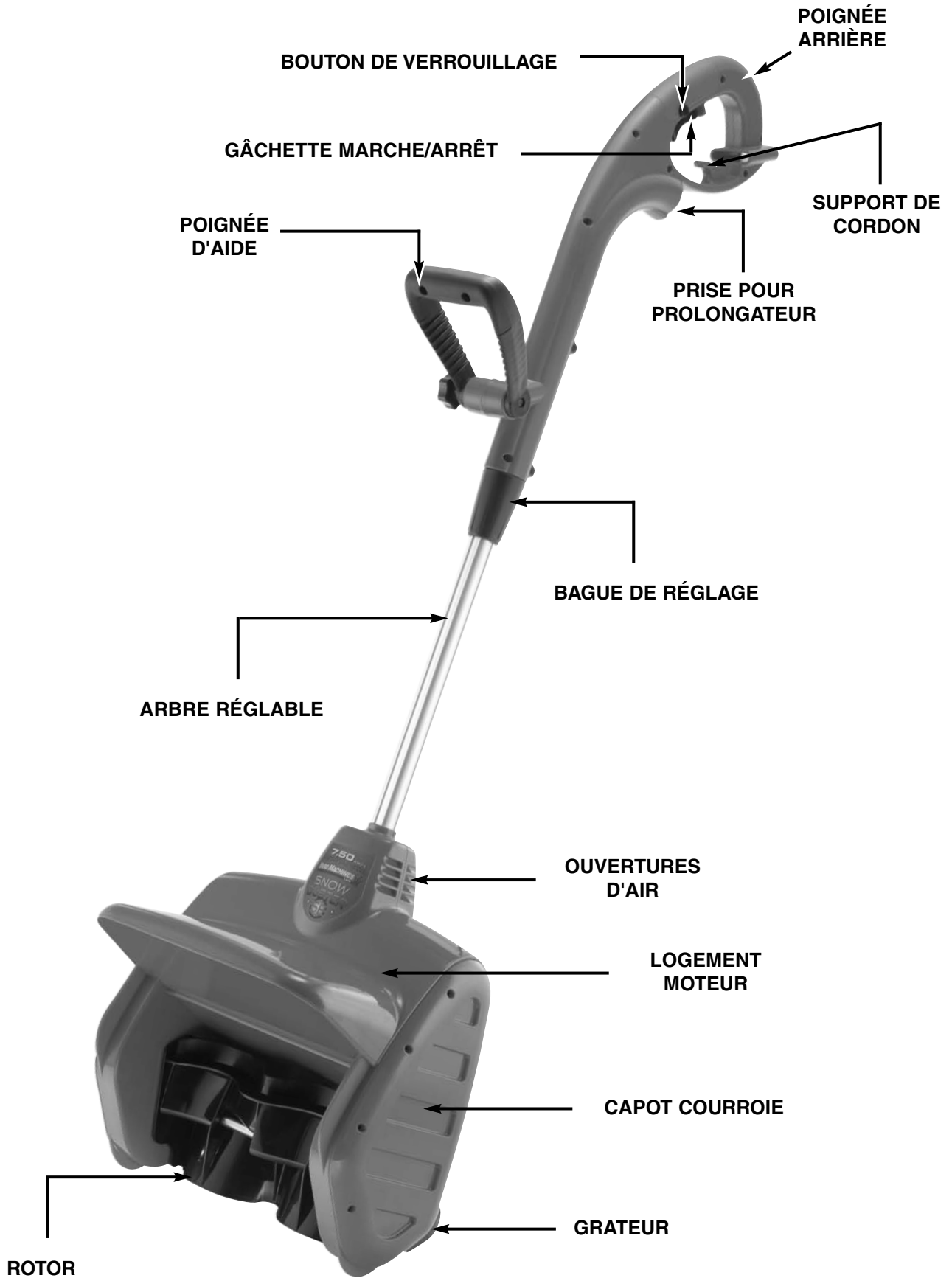
**AVERTISSEMENT:** Tenez les mains, les pieds, et les vêtements à l'écart de la zone de décharge. Ne marchez pas en face de l'appareil, et n'utilisez pas les mains pour nettoyer la zone du rotor.



- **TENEZ VOTRE ENTOURAGE A L'E-CART**

**AVERTISSEMENT :** Tenez tout votre entourage à au moins 50 pieds (15m) de la zone d'utilisation.

# CONSIGNES DE SÉCURITÉ





# INSTRUCTIONS POUR MONTAGE

## BRANCHEZ LE CORDON

1. Assurez-vous que le cordon N'est PAS branché sur le secteur avant d'effectuer cette procédure.
2. Faites une boucle avec 8 " - 10 " (20 - 25cm) de l'extrémité du prolongateur.
3. Placez la boucle dans la fente (A) sous la poignée arrière et verrouillez en place sur le support de cordon (B) comme indiqué à la figure 1.
4. Branchez la rallonge d'alimentation sur la prise électrique située sur le manche de la déneigeuse.
5. Branchez la rallonge sur le secteur SEULEMENT lorsque vous êtes prêt à utiliser la déneigeuse.

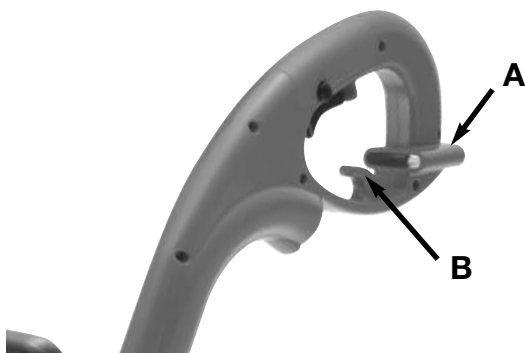


Fig. 1

## REGLEZ LA LONGUEUR DE L'ARBRE

1. Desserrez la bague de réglage (A) en faisant tourner la bague dans le sens des aiguilles d'une montre.
2. Réglez l'arbre jusqu'à une hauteur qui vous est confortable
3. Serrez la bague de réglage (A) en faisant tourner la bague dans le sens contraire des aiguilles d'une montre. (Fig. 2)

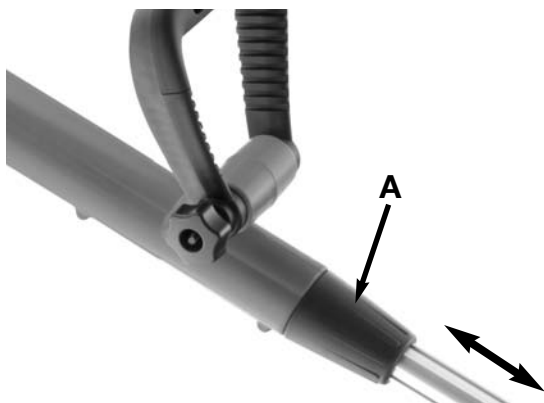


Fig. 2

## POSITIONNEMENT DE LA POIGNEE D'ASSISTANCE

1. Desserrez le bouton (A) sur la poignée d'assistance (B). (Fig. 3)
2. Réglez la poignée d'assistance à un angle qui vous est confortable.
3. Serrez le bouton sur la poignée d'assistance.

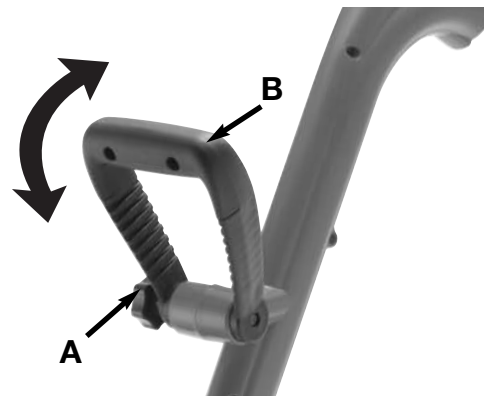


Fig. 3

## DEMARRAGE ET ARRET

Pour démarrer la déneigeuse, enfoncez la bouton (A) sur le côté de la poignée et enfoncez la gâchette (B). Pour arrêter le produit, relâchez la gâchette. (Fig. 4)

**REMARQUE:** Une fois correctement démarré, la bouton de sécurité reste engagé lorsque vous tenez la gâchette. Lorsque la gâchette est relâchée, l'appareil s'arrête et le bouton de sécurité se désengage.

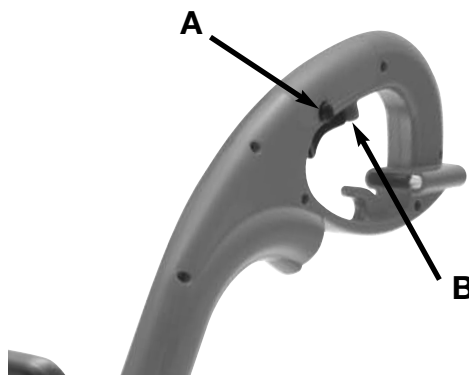


Fig. 4

# INSTRUCTIONS POUR MONTAGE

## INTERRUPTEUR DE PROTECTION CONTRE LES SURCHARGES

L'appareil est équipé d'une protection contre les surcharges pour protéger le circuit (sur lequel l'appareil est branché) contre les surcharges de courts-circuits.

### Si l'interrupteur se soulève:

1. Libérez la sécurité et laissez l'appareil s'arrêter et refroidir une minute.
2. Appuyez sur l'interrupteur de surcharge (A) pour réinitialiser. Continuer l'utilisation. (Fig. 5)

### Si l'interrupteur se re-déclenche peu de temps après la première fois:

1. Laissez l'appareil refroidir 15 à 30 minutes.
2. Une fois que l'appareil est refroidi, appuyez sur l'interrupteur de surcharge pour réinitialiser. Continuer l'utilisation.

Si l'interrupteur ne reste pas enclenché ou s'il continue de sortir en fonctionnement, emmenez l'appareil chez un représentant de maintenance agréé pour une réparation.

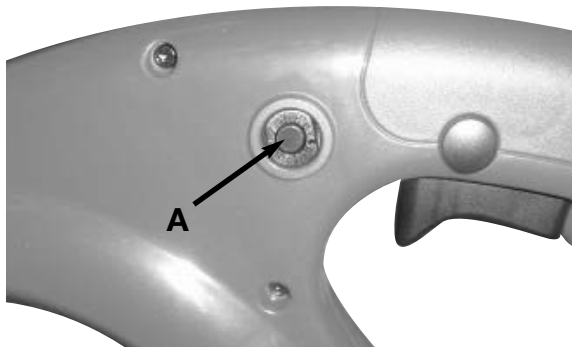


Fig. 5

## ASTUCES POUR UN MEILLEUR DENEIGEAGE RESULTATS

1. Pour un déneigage plus efficace, relâchez la neige dans le sens du vent.
2. Recouvrez légèrement chaque passe que vous faites. (Fig. 6)



Fig. 6

## UTILISATION DE LA DENEIGEUSE

1. Démarrez l'appareil selon les instructions de démarrage. La profondeur et le poids de la neige régissent la vitesse d'avance.
2. Poussez l'appareil pour qu'il repose sur son grattoir.
3. Assurez-vous que le cordon d'alimentation est relié au support de cordon. Le cordon d'alimentation doit suivre l'utilisateur sur le côté.

# INSTRUCTIONS DE MANTENIMIENTO

## MAINTENANCE DE L'APPAREIL

Un soin et une connaissance du système extrêmes sont requis pour la maintenance de cet appareil. L'entretien ne doit être effectué que par du personnel de maintenance qualifié. Les pièces de rechange pour cet appareil doivent être identiques aux pièces qu'elles remplacent. Renvoyez toute réparation à un représentant de maintenance agréé.

## INSPECTION/REPLACEMENT DE LA COURROIE

Lorsque vous entretenez l'appareil, n'utilisez que des pièces de rechange et des accessoires d'origine. Inspectez la courroie d'entraînement une fois par an ou toutes les 50 heures de fonctionnement, en prenant en compte la première des deux conditions remplies. Si la courroie d'entraînement doit être remplacée, utilisez les instructions suivantes.

	<b>AVERTISSEMENT:</b> Pour éviter des blessures personnelles graves, éteignez l'appareil et laissez le refroidir. Débranchez l'appareil avant d'effectuer toute maintenance.
--	--

1. Enlevez les 7 vis (A) du capot de la courroie (B) à l'aide d'un tournevis à bout en étoile #T20 ou à bout plat. (Fig. 7)
2. Enlevez l'écrou de verrouillage du panneau (C) et enlevez les 3 vis (D) du capot de la courroie (E) à l'aide d'un tournevis à bout en étoile #T20 ou à bout plat. (Fig. 8)
3. Tirez sur le tensionneur de courroie (F) pour l'éloigner de la poulie d'entraînement (G). Enlevez la courroie endommagée ou cassée (H) de la poulie entraînée (I) et de la poulie d'entraînement du logement. Débarrassez-vous en de façon appropriée. (Fig. 9)
4. Enroulez la nouvelle courroie autour de la poulie entraînée et de la poulie d'entraînement (Fig. 8). Tirez sur le tensionneur de courroie (bras inerte) pour l'éloigner de la poulie d'entraînement et installer la courroie autour de la poulie d'entraînement. lez la nouvelle courroie autour de la poulie entraînée et de la poulie d'entraînement (Fig. 8). Tirez sur le tensionneur de courroie (bras inerte) pour l'éloigner de la poulie d'entraînement et installer la courroie autour de la poulie d'entraînement.

**REMARQUE:** Assurez-vous que la rondelle est toujours en place sur l'arbre de la poulie entraînée avant de réinstaller le capot de la courroie.

5. Réinstallez l'écrou de verrouillage de la paroi. Serrez le boulon à 50-100 pouceo livre (90-11.2 Nom) et réinstallez les 3 vis. Serrez toutes les vis à 18-23 pouceo livre (20-2.5 Nom).

6. Réinstallez le capot avec les 7 vis. Pour rendre l'installation plus facile, placez la partie étroite du capot dans le retrait du logement. Installez les 2 vis du dessus, puis enfoncez le reste du capot vers le bas dans le retrait et au dessus de l'arbre du rotor. Serrez les 7 vis à 18-23 pouceo livre (20-2.5 Nom)

**REMARQUE:** Si l'écrou de verrouillage de la paroi est endommagé, ne le remplacez pas par un écrou standard. N'utilisez que des pièces de rechange et des accessoires d'origine.

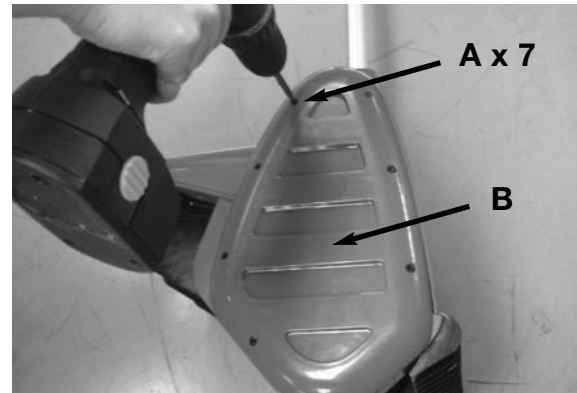


Fig. 7

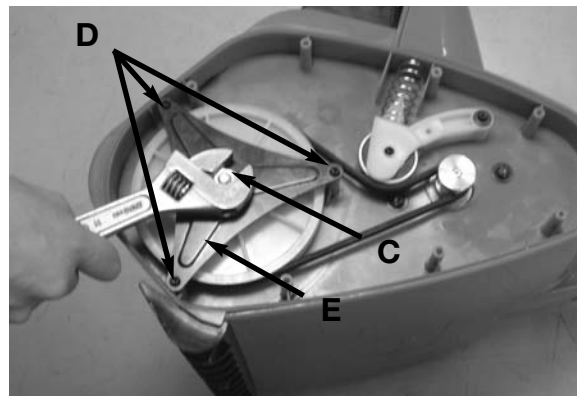


Fig. 8

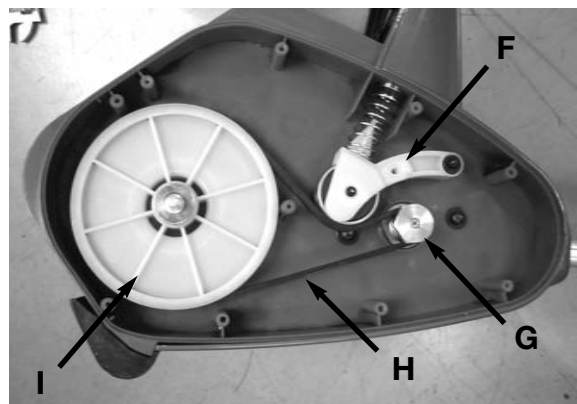


Fig. 9

# INSTRUCTIONS DE MANTENIMIENTO

## REPLACEMENT DE LA PLAQUE

N'utilisez que des pièces de rechange d'origine.

	<b>AVERTISSEMENT:</b> Pour éviter des blessures personnelles graves, éteignez toujours l'appareil et débranchez le avant d'effectuer la maintenance.
--	---

1. Placez l'appareil sur le sol ou sur un établi. Positionnez l'appareil de sorte que les palettes et le rotor soient orientés vers le haut.
2. Sous le rotor, repérez les 3 vis (A) qui relient la plaque (B) au logement. Enlevez les à l'aide d'un tournevis à bout en étoile #T20 ou à bout plat. (Fig. 10)
3. Enlevez le grattoir et débarrez-vous en de façon appropriée.
4. Le nouveau grattoir s'enclenche à sa place. Une fois en place, attachez le à l'appareil en réinstallant les 3 vis.

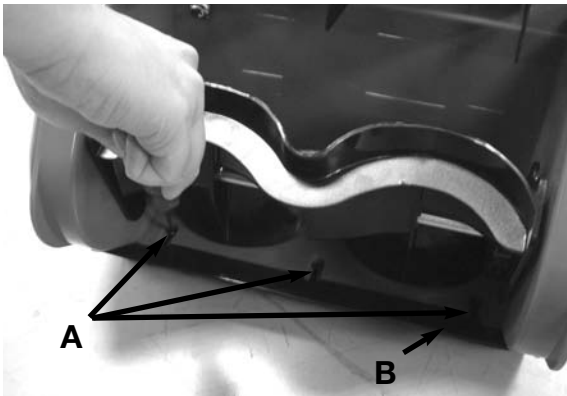


Fig. 10

## EMMAGASINAGE

1. Laissez le moteur refroidir avant le stockage.
2. Stockez l'appareil verrouillé pour éviter une utilisation non autorisée ou des dégâts.
3. Stockez l'appareil dans une zone sèche bien ventilée.
4. Stockez l'appareil hors de portée des enfants.

## NETTOYAGE

	<b>AVERTISSEMENT:</b> Pour éviter des blessures personnelles graves, éteignez toujours l'appareil et débranchez le avant d'effectuer la maintenance ou le nettoyage.
---	--

Utilisez une petite brosse pour nettoyer l'extérieur de l'appareil. N'utilisez pas de détergents forts. Les nettoyants ménagers qui contiennent des huiles aromatiques telles que le pin et le citron, et les solvants tels que le kérosène, peuvent endommager le boîtier ou les poignées en plastique.

Essuyez toute trace de moisissure avec un chiffon doux.

## TRANSPORT

1. Attachez l'appareil pour le transport.
2. Pour déplacer l'appareil, tenez le par les poignées du haut et du milieu à l'avant.

## DÉPANNAGE

### L' UNIT WILL NOT START

#### CAUSE

L'appareil est débranché

Le bouton de verrouillage de la gâchette ou la gâchette, a été mal actionné.

L'interrupteur de protection contre les surcharges est sorti

#### SOLUTION

Vérifiez le cordon pour vous assurer qu'il esst branché sur une prise secteur

Enfoncez le bouton de verrouillage de la gâchette, maintenez le, et appuyez sur la gâchette

Enfoncez la et suivez les instructions de démarrage

### LE MOTEUR EST EN MARCHÉ, MAIS LE ROTOR NE TOURNE PAS

#### CAUSE

La courroie est endommagée

#### SOLUTION

Remplacez la courroie, après inspection / Remplacement de la courroie

### LE MOTEUR EST EN MARCHÉ, MAIS LE ROTOR NE TOURNE PAS

#### CAUSE

Le grattoir est usé

#### SOLUTION

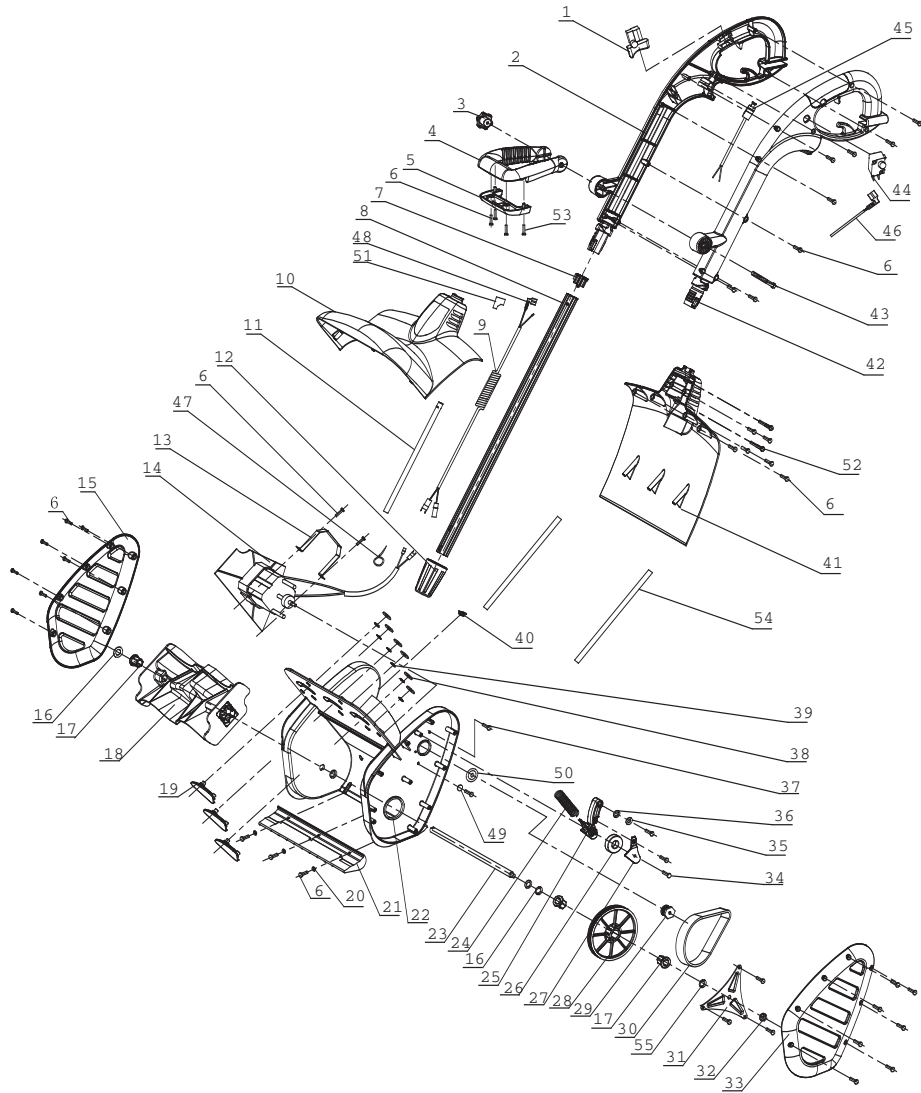
Remplacez le grattoir

**S'il vous faut plus d'aide, contactez votre centre de maintenance agréé**

## CARACTÉRISTIQUES

Moteur type .....	A. C. Electrique 120 Volts
Ampérage .....	.7.5 A
dégagement Largeur .....	.12.5" (318mm)
Entrée Hauteur .....	.6" (152mm)
Poids .....	.15 livres

# LISTE DES PIÈCES



N°	N° pièce	Description	N°	N° pièce	Description
1	6022-MD2301	INTERRUPTEUR	29	6137-MD2302	POULIE ACTIVE
2	6068-MD2301	POIGNEE DROITE	30	6149-MD2301	BANDE
3	6134-B23B01	BOUTON	31	6072-MD2301	PLAQUE FIXE
4	6196-MD2302	POIGNEE D'AIDE	32	9NAC-08	ECROU
5	6196-MD2301	POIGNEE D'AIDE	33	6017-MD2302	CAPOT GAUCHE
6	6SGEBB04-18	VIS	34	6SDABB04-20	VIS
7	6070-B23B01	TUYAU BOUCHON	35	6WFB-04-12	RONDELLE
8	6037-MD2301	TUBE	36	9WFB-08-13	RONDELLE
9	6010-MD2301	CODE RESSORT	37	9SKKBY10/24-0.5	VIS
10	6067-MD2301	DESSUS BOITIER	38	6014-MD2302	RONDELLE
11	6129-MD2301	TUYAU	39	6189-MD2301	RONDELLE
12	6131-MD2301	BOBINE	40	6078-MD2301	BOUCHON
13	6187-MD2301	PLAQUE FIXE	41	6067-MD2302	DESSOUS BOITIER
14	6099-MD2301	MOTEUR	42	6068-MD2302	POIGNEE GAUCHE
15	6017-MD2301	CAPOT DROIT	43	6SXDZ-06-100	VIS
16	6014-MD2301	RONDELLE	44	6072-MD2302	INTERRUPTEUR DE PROTECTION
17	6148-MD2301	MANCHON	45	6041-MD2301	CONNECTEUR
18	6250-MD2301	LAME	46	6010-MD2304	FIL
19	6100-MD2302	PLAQUE	47	6032-070-01	LA BANDE, LE PALSTIQUE
20	6WFB-04	RONDELLE	48	6041-610201	TERMINAL
21	6200-MD2301	PLAQUE	49	6014-MD2303	RONDELLE
22	6064-MD2301	CORPS PRINCIPAL	50	6139-MD2302	RONDELLE EN PLASTIQUE
23	6111-MD2301	ARBRE	51	6059-MD2304	TUYAU
24	6024-MD2301	RESSORT	52	6SGEBB04-35	VIS
25	6004-MD2302	DESSOUS SUPPORT	53	6SDABB3.5-18	VIS
26	6DB-620301	ROULEMENT	54	6183-MD2301	JOINT
27	6004-MD2301	DESSUS SUPPORT	55	6014-211901	RONDELLE
28	6137-MD2301	POULIE			

# NOTES

## GARANTIE LIMITÉE DU FABRICANT POUR:



La garantie limitée énoncée ci-après est accordée par MTD LLC (« MTD ») et concerne les marchandises neuves achetées et utilisées aux États-Unis, ainsi que dans leurs possessions et territoires.

MTD garantit ce produit contre tout vice de matière ou de façon pendant une période de deux (2) ans à compter de la date d'achat initiale et elle se réserve le choix de réparer ou de remplacer, à titre gratuit, toute pièce présentant un vice de matière ou de façon. Cette garantie limitée ne s'appliquera que dans la mesure où le produit aura été utilisé et entretenu conformément au Guide de l'utilisateur fourni avec le produit et n'aura pas fait l'objet d'un usage inadéquat, abusif, commercial ou négligent, d'un accident, d'un entretien inadéquat, d'une modification, de vandalisme, d'un vol, d'un incendie, de dégâts d'eau ou d'un endommagement résultant d'un autre péril ou d'un désastre naturel. Les dommages résultants de l'installation ou de l'utilisation de tout accessoire ou équipement non approuvé par MTD pour une utilisation avec le(s) produit(s) couvert(s) par le présent guide annuleront la garantie et ce qui concerne les dommages qui en résulteraient éventuellement. La présente garantie est limitée à quatre-vingt-dix (90) jours à compter de la date d'achat au détail initiale pour tout produit MTD utilisé à des fins locatives ou commerciales, ou toute utilisation produisant des revenus.

**POUR L'ENTRETIEN-DÉPANNAGE :** l'Entretien-dépannage au titre de la garantie est disponible, SUR PRÉSENTATION DE PREUVE D'ACHAT, AUPRÈS DU DISTRIBUTEUR AGRÉÉ LOCAL. Pour obtenir le nom du distributeur agréé local, consulter les Pages Jaunes ou se mettre en rapport avec le Service après-vente de MTD LLC. en appelant le 1-866-747-9816 ou en écrivant au P.O. Box 361131, Cleveland OH 44136-0019 ou en appelant le 1-800-668-1238 au Canada. Aucun produit retourné à l'usine sans permission écrite préalable du service après-vente de MTD LLC ne sera accepté.

**La garantie limitée n'offre aucune couverture dans les cas suivants :**

- A. Conduire la ceinture
- B. MTD n'accorde aucune garantie pour les produits vendus ou exportés des États-Unis, de leurs possessions et territoires, exception faite en ce qui concerne les produits vendus par l'intermédiaire de ses canaux agréés de distribution à l'exportation.

MTD se réserve le droit de modifier ou d'améliorer la conception de tout produit MTD sans assumer l'obligation de modifier tout produit d'une fabrication plus ancienne.

**Aucune garantie implicite, y compris toute garantie de valeur marchande ou d'adaptation à une fin particulière, ne s'applique après la période applicable de garantie expresse écrite ci-dessus concernant les pièces qui sont identifiées. Aucune autre garantie ou caution expresse, écrite ou orale, à l'exception de celle mentionnée ci-dessus, accordée par toute personne ou entité, y compris tout distributeur ou détaillant, concernant tout produit n'engagera la responsabilité de MTD. Pendant la période de garantie, le remède exclusif est la réparation ou le remplacement du produit dans les conditions énoncées ci-dessus.** (Certains états ne permettent pas la limitation de la garantie implicite, il est donc possible que la limitation ci-dessus ne s'applique pas à vous.)

**Les clauses énoncées dans la présente Garantie constituent le recours unique et exclusif inhérent aux ventes. MTD ne sera en aucun cas tenue pour responsable de tout dommage indirect ou consécutif ou de dommages comprenant, entre autres mais pas seulement, les dépenses encourues du fait du recours à des services de remplacement ou de substitution pour l'entretien des pelouses, le transport ou des frais connexes, ou les frais entraînés par une location destinée à remplacer provisoirement un produit sous garantie.** (Certains états ne permettent pas la limitation de la garantie implicite, il est donc possible que la limitation ci-dessus ne s'applique pas à vous.)

Aucun recouvrement, quel qu'il soit, ne sera d'un montant supérieur au prix du produit vendu. Toute modification des dispositifs de sécurité du produit annulera la présente Garantie. Vous assumez tout risque et toute responsabilité résultant de la perte, de l'endommagement ou du préjudice que vous et votre propriété et/ou d'autres et leur propriété pourront encourir du fait de l'utilisation normale, de la mauvaise utilisation ou de l'empêchement d'utiliser le produit.

La présente garantie limitée n'est accordée qu'à l'acheteur initial, au preneur initial ou à la personne à laquelle le produit a été offert.

**Le Droit des États vis à vis de la présente garantie :** la présente garantie vous confère certains droits juridiques, et vous pouvez bénéficier d'autres droits, lesquels varient d'une juridiction à l'autre.

Pour obtenir l'adresse du distributeur agréé le plus proche, composer le : 1-866-747-9816 aux États-Unis ou le 1-800-668-1238 au Canada.

**MTD LLC**  
P.O. Box 361131  
Cleveland, OH 44136-0019



# **YARD MACHINES**

by **MTD**

Español

## Manuel del Dueño/Operador

**Quitanieves**

**Eléctrico**

**31A-020-900**



**MTD**  
For A Growing World.™

**IMPORTANTE: LEA LAS REGLAS DE SEGURIDAD Y  
INSTRUCCIONES DETENIDAMENTE**

P/N 6096-MD2301  
HECHO EN CHINA

Download from [www.Somanuals.com](http://www.Somanuals.com). All Manuals Search And Download.

# ÍNDICE

Reglas de funcionamiento seguro	Página 34-39	Lista de piezas	Página 45
Instrucciones de Ensamble	Página 40-41	Notas	Página 46
Instrucciones de Mantenimiento	Página 42-43	Garantía Limitada del Fabricante	Página 47
Resolucion de Problemas	Página 44		
Especificaciones	Página 44		

# REGLAS DE FUNCIONAMIENTO SEGURO

El propósito de los símbolos de seguridad es atraer su atención sobre posibles peligros. Los símbolos de seguridad y su explicación merecen su atención y comprensión. Las advertencias de seguridad no eliminan el peligro por sí mismas. Las instrucciones o advertencias que ofrecen no son sustitutas de ninguna medida de prevención de accidentes.

## SÍMBOLO SIGNIFICADO



### ALERTA DE SEGURIDAD:

Indica peligro, advertencia o precaución. Se requiere atención para evitar daños personales. Puede utilizarse con otros símbolos o pictogramas.

**NOTA:** Le avisa de información o instrucciones vitales para el funcionamiento del equipo.

**Lea el Manual del Usuario y siga todas las advertencias e instrucciones de seguridad.**

**Si no lo hace pueden producirse daños en el operador y los que le rodean.**

**SI TIENE PREGUNTAS, LLAME AL**

**1-800-668-1238**

## • INSTRUCCIONES IMPORTANTES DE SEGURIDAD •

### LEA TODAS LAS INSTRUCCIONES ANTES DEL USO



**ADVERTENCIA:** Antes de usar el equipo, lea todas las instrucciones de seguridad para confirmar la seguridad del operador y los observadores. Conserve estas instrucciones para su uso futuro.

- Lea detenidamente las instrucciones del manual. Familiarícese con los controles y el uso correcto del equipo.
- No utilice este equipo si se encuentra cansado, enfermo o bajo la influencia del alcohol, las drogas o los medicamentos.
- Los niños no deben usar el equipo. Los adolescentes deben ser acompañados por un adulto.
- Todas las protecciones y accesorios de seguridad deben instalarse correctamente antes de utilizar el equipo.
- Inspeccione el equipo antes del uso. Reemplace los componentes dañados. Asegúrese de que todos los tornillos se encuentran colocados firmemente.

## SÍMBOLO SIGNIFICADO



### PELIGRO:

Si no se obedece una advertencia pueden producirse daños personales a usted o a terceros. Siga siempre las precauciones de seguridad para reducir el riesgo de incendio o daños personales.



### ADVERTENCIA:

Si no se obedece una advertencia pueden producirse daños en usted o en otros. Siga siempre las instrucciones de seguridad para reducir el riesgo de incendio y daños personales.



### PRECAUCIÓN:

Si no obedece un aviso puede resultar dañada su propiedad o usted mismo. Siga siempre las precauciones para reducir el riesgo de incendio y daños personales.

Reemplace aquellos componentes que se encuentren rotos, astillados o dañados de cualquier forma. No utilice el equipo si existen componentes sueltos o dañados.

- Inspeccione detenidamente el área antes de arrancar la unidad. Extraiga todos los residuos y objetos afilados, como cristales, cables, etc.
- Despeje la zona de niños, observadores y animales. Como mínimo, mantenga a todos los niños, observadores y animales alejados en un radio de 50 pies (15 m.); aún así existe un riesgo para los observadores por los objetos lanzados. Si se aproxima a ellos, detenga el equipo inmediatamente.


# REGLAS DE FUNCIONAMIENTO SEGURO

## FAVOR DE LEER - CONSERVE ESTAS INSTRUCCIONES

Al utilizar un aparato eléctrico siempre debe seguir ciertas precauciones básicas para asegurar una protección máxima y un rendimiento óptimo. Lea este manual antes de ensamblar y operar este aparato. Si no sigue las instrucciones podría provocar el riesgo de incendio, choque eléctrico o heridas personales.

## ADVERTENCIA

### PARA REDUCIR EL RIESGO DE CHOQUEN ELECTRICOS, INCENDIO O HERIDAS PERSONALES:

1. **SIGA TODAS LAS INSTRUCCIONES DE SEGURIDAD** enlistadas en este manual antes y durante la operación de esta recortadora.
2. **PARA REDUCIR EL RIESGO DE CHOQUE ELECTRICO**, este equipo cuenta con un enchufe polarizado (una clavija es más ancha que la otra). Este enchufe embonará en una toma de corriente polarizada de una sola manera. Si el enchufe no embona por completo, inviértalo. De ninguna manera intente cambiar el enchufe.
3. **REVISE LA UNIDAD POR SI HAY DAÑOS** en el bastidor, el cable o el enchufe. Mantenga todos los sujetadores apretados. No la use si el interruptor no apaga su unidad adecuadamente. Nunca la opere si el cable o el enchufe han sido dañados, si el motor no funciona como debería, o si la unidad ha sido golpeada, dañada o dejada caer en agua. Nunca la haga funcionar con alguna apertura de aire bloqueada. Conserve todas las aperturas libres de desechos que puedan reducir el flujo de aire. Reemplace las partes dañadas que estén astilladas, cuarteadas o en mal estado, de manera que puedan volar y causar alguna herida seria. Mantenga cuchillo de cortador agudo.
4.  **DOBLE AISLAMIENTO** para ayudar a protegerlo contra los choques eléctricos. La construcción de doble aislamiento consiste en 2 "capas" separadas de aislamiento eléctrico. Los aparatos construidos con este sistema de aislamiento no están diseñados para conectarse a tierra. Como resultado de esto, el cable de extensión utilizado con este aparato puede conectarse en cualquier toma eléctrica convencional de 120 voltios. Deben observarse las precauciones normales de seguridad al operar un aparato eléctrico. El sistema de doble aislamiento sólo es para aumentar la protección contra heridas que pudieran resultar por una posible falla de aislamiento eléctrico interno.
5. Cuando el símbolo doble de aislamiento (un cuadrado dentro de un cuadrado) es utilizado como el único marcar para identificar una unidad es como doble aislado, el símbolo se definirá en el manual de la


instrucción.

6. **CABLE DE EXTENSION** - Uselo exclusivamente con un cable de extensión diseñado para exteriores. Vea la tabla de abajo. Puede usar un cable de dos alambres sin una conexión a tierra ya que este aparato está doblemente aislado. En caso existir duda sobre la medida adecuada del alambre, use el calibre que le sigue para un mayor grosor. Observe que entre más pequeño es el número de calibre, más grueso es el cable.

RECOMENDACIONES PARA EL CALIBRE MINIMO DEL ALAMBRE		
VOLTIOS	LONGITUD DE CABLE DE EXTENSION	TAMAÑO REQUERIDO DEL ALAMBRE
120	25 pies / 7.5m	18 A.W.G.*
	50 pies / 15m	16 A.W.G.*
	100 pies / 30m	16 A.W.G.*

\*Calibre para Alambre de los E.U.A.

Tabla 1

- (1). Al utilizar este aparato, debe usar un cable de extensión del tamaño adecuado por seguridad y para evitar una pérdida de potencia o sobrecalentamiento.
- (2). El cable de extensión debe estar diseñado específicamente para uso en exteriores y marcado con "SJ" o "SJT" y con el sufijo "WA". En Canadá, el cable de extensión debe estar marcado con "SFTW".
- (3). Revise la extensión del cable de energía por si hay alambres sueltos o expuestos, o por si el aislamiento está dañado. En caso de que sea así, reemplácelo antes de utilizar el aparato.  
**NO MALTRATE EL CABLE** – Nunca jale el cable para transportar el aparato o para desconectarlo de la toma de corriente. Mantenga el cable a distancia del operador y de cualquier obstáculo en todo momento. No explonga el cable a superficies caliente, aceite o agua. No jale el cable alrededor de borde u orillas filosas ni cierre puertas sobre éste.
7.  **NO INCLUYE PARTES DE REPUESTO** – Su aparato doblemente aislado no cuenta con partes de repuesto en su interior. No intente hacer reparaciones usted mismo. Para información sobre el servicio, consulte al Departamento de Servicios para Productos Yard Machines enlistado en el reverso de Manual del Usuario.
8. **RIESGO DE LESIÓN OCULAR** - Utilice siempre gafas u otra protección ocular adecuada durante el uso de su quitanieves. Mantenga los observadores a una distancia segura.
9. **UTILICE LA VESTIMENTA ADECUADA** - Utilice pantalones largos, zapatos y guantes. No utilice ropas sueltas, o joyería. Utilice botas de goma durante el uso del quitanieves.

# REGLAS DE FUNCIONAMIENTO SEGURO

10. **MANTENGA EL ÁREA DESPEJADA** - Mantenga a todo el mundo, especialmente a los niños y animales, a una distancia de 50 pies (15 m). Apague inmediatamente la unidad si se aproxima a ellos. No deje que los niños usen el aparato como un juguete, ni que funcione de forma desatendida en ningún momento.
11. No utilice una superficie de gravilla a menos que el quitanieves se ajuste a una superficie como esta según el manual del usuario.
12. **MANTENGA ALEJADOS A LOS NIÑOS** - Todos los visitantes deberán mantenerse a una distancia segura desde el área de trabajo.
13. Utilice botas de goma mientras usa el quitanieves.
14. Frases de precaución relativas al uso de la vestimenta y calzado adecuados durante el uso para reducir el riesgo de lesión causado por residuos volantes.
15. El uso del quitanieves sosteniéndolo con las manos es inseguro, excepto en los casos en los que se sigan las instrucciones especiales que se muestran en el manual del usuario.
16. **ADVERTENCIA** - Este quitanieves debe tener una conexión a masa durante su uso para proteger al operador de las descargas eléctricas. Para evitar descargas eléctricas, utilice este equipo únicamente con un cable prolongador adecuado para el uso en exteriores.
17. **CABLE PROLONGADOR** - Evite la desconexión del cable del quitanieves del cable prolongador durante su uso.
18. **EVITE LOS ENCENDIDOS ACCIDENTALES** - No transporte el quitanieves con los dedos sobre el interruptor. Asegúrese de que el interruptor está desactivado al enchufar el aparato.
19. Si el cable resulta dañado de cualquier manera mientras está conectado, extraiga el cable prolongador de la toma de la pared.
20. **NO ABUSE DEL CABLE** - No transporte el quitanieves sosteniéndolo por el cable ni tire del mismo para desconectarlo de la toma eléctrica. Aleje el cable del calor, la grasa y los bordes afilados.
21. Mantenga las manos alejadas de los componentes móviles.
22. Mantenga las protecciones colocadas y en buenas condiciones.
23. **NO FUERCE EL QUITANIEVES** - Rendirá más y de forma más segura a la velocidad para la que ha sido diseñado.
24. **NO PIERDA EL EQUILIBRIO** - Mantenga los pies bien colocados y balanceados en todo momento.
25. Si el quitanieves golpea un objeto extraño, siga los pasos siguientes:
  - i) Detenga el quitanieves.
  - ii) Inspeccione si ha sufrido algún daño.
  - iii) Repare cualquier daño antes de volver a arrancar y utilizar el quitanieves.
26. **DESCONECTE EL QUITANIEVES** - Desconecte el quitanieves de la toma eléctrica mientras éste no se encuentre en uso, antes de su reparación, al cambiar accesorios y durante operaciones similares.
27. **CONSERVE LOS QUITANIEVES INACTIVOS EN ÁREAS INTERIORES** - Mientras no se encuentren en uso, los quitanieves inactivos deberán almacenarse en áreas interiores, en lugares secos y cerrados, alejados del alcance de los niños.
28. **MANTENGA CORRECTAMENTE LOS QUITANIEVES** - Siga las instrucciones de lubricado y cambio de accesorios.
29. No utilice ningún accesorio o dispositivo que pueda elevar el riesgo de lesión.

## DURANTE EL USO

1. Camine, no corra.
2. Asegúrese de que el quitanieves no entra en contacto con nada antes de arrancar el aparato.
3. Aléjese del orificio de descarga en todo momento. Mantenga la cara, las manos y los pies alejados de los componentes móviles y giratorios.
4. Preste atención durante el uso del quitanieves. Permanezca alerta ante posibles orificios en el terreno u otros riesgos ocultos, así como el tráfico.
5. No utilice el aparato sobre una superficie con gravilla o roca fraccionada. Extrema las precauciones al caminar sobre caminos, sendas o carreteras de gravilla/roca prensada.
6. No quite la nieve de pendientes pronunciadas.
7. No intente utilizar el quitanieves en un tejado o cualquier superficie inclinada o deslizante.
8. No utilice el quitanieves sin la protección, u otros dispositivos de protección adecuada en su lugar.
9. No utilice el quitanieves cerca de un cierre de cristal, automóviles, camiones, ventanas, etc. sin el ajuste correcto del ángulo de descarga de nieve. Mantenga los niños y animales alejados.
10. No fuerce ni sobrecargue el quitanieves. El quitanieves rendirá al máximo y de la forma más segura si funciona a la velocidad para la que ha sido diseñado.
11. Ni dirija la descarga hacia la gente ni permita que nadie se coloque frente al equipo durante su uso.
12. Utilice gafas de seguridad marcadas con el símbolo de compatibilidad con las normas ANSI Z87.1, así como protecciones auditivas durante el uso del este aparato.
13. Utilice el equipo únicamente durante el día o con una buena luz artificial.


# REGLAS DE FUNCIONAMIENTO SEGURO

14. Evite los encendidos accidentales. Permanezca en la posición de arranque siempre que active la unidad. Tanto el operador como el equipo deben encontrarse en posición estable durante el arranque.
15. Utilice la herramienta adecuada. Utilice esta herramienta para el propósito para el que ha sido diseñada.
16. No pierda el equilibrio. Mantenga los pies correctamente colocados y bien balanceados.
17. Sostenga la unidad con ambas manos durante el funcionamiento. Sostenga los agarres y asas firmemente con las manos.
18. Mantenga las manos, cara y pies a la distancia de seguridad de todos los componentes móviles. No toque ni intente detener el rotor mientras se encuentre en movimiento.
19. Si el rotor no se mueve libremente debido a su congelación, descongele el aparato completamente antes de intentar encenderlo.
20. Mantenga el rotor libre de residuos.
21. No intente limpiar el rotor con el motor en marcha. Apague el motor en primer lugar y desconecte el cable prolongador.
22. Mantenga la ropa y las extremidades alejadas del rotor.
23. Detenga siempre el motor si no se encuentra limpiando nieve o mientras camina de un lugar a otro.
24. Desconecte la alimentación del rotor mientras se encuentre transportando el quitanieves o éste no se encuentre en uso.
25. Después de golpear un objeto extraño, apague la unidad e inspeccione si existen daños en el quitanieves. Desconecte la unidad. Repare los daños antes de reiniciar y volver a utilizar el aparato.
26. Si el equipo comienza a vibrar de forma anormal, deténgalo y compruebe la causa inmediatamente. La vibración suele ser señal de problemas.
27. Detenga el motor y desconecte la unidad siempre que abandone la posición de uso, antes de desatascar el rotor o descargar el tubo, y durante las reparaciones, ajustes o inspecciones.
28. Utilice únicamente componentes de repuesto y accesorios originales del fabricante en este equipo. Estos accesorios se encuentran disponibles en su distribuidor autorizado. El uso de componentes o accesorios no autorizados podría generar serias lesiones en el usuario y daños en la unidad, así como la invalidez de su garantía.
29. No utilice el equipo sosteniéndolo con las manos. No coja el aparato si se encuentra encendido y en marcha. El equipo ha sido diseñado para desplazarse por el suelo.

## OTRAS ADVERTENCIAS DE SEGURIDAD

1. Asegúrese de que la unidad se encuentra bien asegurada durante su transporte.
2. Almacene el equipo en una zona seca, bloqueada, o lo suficientemente alta como para evitar su uso sin autorización, alejada del alcance de los niños.
3. No inserte ni inyecte agua ni ningún otro líquido en el dispositivo. Mantenga las manos secas, limpias y libres de residuos. Limpie el equipo después de cada uso.
4. Si las etiquetas del equipo comienzan a deteriorarse o despegarse, póngase en contacto con su distribuidor autorizado.
5. Conserve estas instrucciones. Consúltelas a menudo y utilícelas para instruir a otros usuarios. Si presta a alguien este aparato, préstele también estas instrucciones.
6. Transporte con cuidado los quitanieves. Siga las instrucciones de lubricado y cambio de accesorios.

## EXPLICACION DE NOTA, ADVERTENCIA Y SIMBOLO DE GARANTIA

1. Una **NOTA** usada para comunicar información adicional, para destacar una explicación particular, o para expandir una instrucción específica.
2. Una **ADVERTENCIA** identifica un procedimiento que, si no se acomete o se realiza inadecuadamente, puede provocar heridas personales y/o daños a la unidad.
3. EL  (**SIMBOLO DE GARANTIA**) sirve para notificar que por los menos las instrucciones o procedimientos deben llevarse al cabo, cualquier daño invalidará la garantía y los gastos de la reparaciones serán asumidos por el dueño. Cualquier otro servicio, con excepción del mantenimiento del usuario, deberá ser realizado por un Centro de Servicio Autorizado Yard Machines. Los daños o condiciones causadas por prácticas de mantenimiento inadecuadas, las cuales hagan que el producto sea inoperable invalidarán la garantía del fabricante.
4. **PARA LA GARANTIA O EL SERVICIO** póngase en contacto con el Centro de Servicio Autorizado de Yard Machines llamando al número 800# de la cubierta posterior.

# CONSERVE ESTAS INSTRUCCIONES

# REGLAS DE FUNCIONAMIENTO SEGURO

## SEGURIDAD Y SÍMBOLOS INTERNACIONALES

Este manual del usuario describe los símbolos de seguridad internacionales que pueden aparecer en este producto. Lea el manual del usuario para obtener información sobre seguridad, ensamblaje, funcionamiento y mantenimiento.

### SÍMBOLO

### SINGIFICADO



- **SÍMBOLO ALERTA DE SEGURIDAD**

Indica peligro, advertencia o precaución. Puede utilizarse en conjunto con otros símbolos o pictogramas.

### SÍMBOLO

### SINGIFICADO



- **RIESGO DE DESCARGA ELÉCTRICA**

**ADVERTENCIA :** Desconecte el equipo si el cable se encuentra dañado o cortado.



- **ADVERTENCIA - LEA EL MANUAL DEL USUARIO**

Lea el Manual del Usuario y respete todas las advertencias e instrucciones de seguridad. Si no lo hace tanto el operador como los observadores podrían sufrir lesiones.



- **LOS OBJETOS ARROJADOS Y LA CUCHILLA GIRATORIA PUEDEN CAUSAR SERIAS LESIONES**

**ADVERTENCIA:** Los objetos pequeños pueden salir arrojados a alta velocidad causando lesiones. Manténgase alejado del rotor giratorio.



- **EL ROTOR GIRATORIO PUEDE PROVOCAR SERIAS LESIONES**

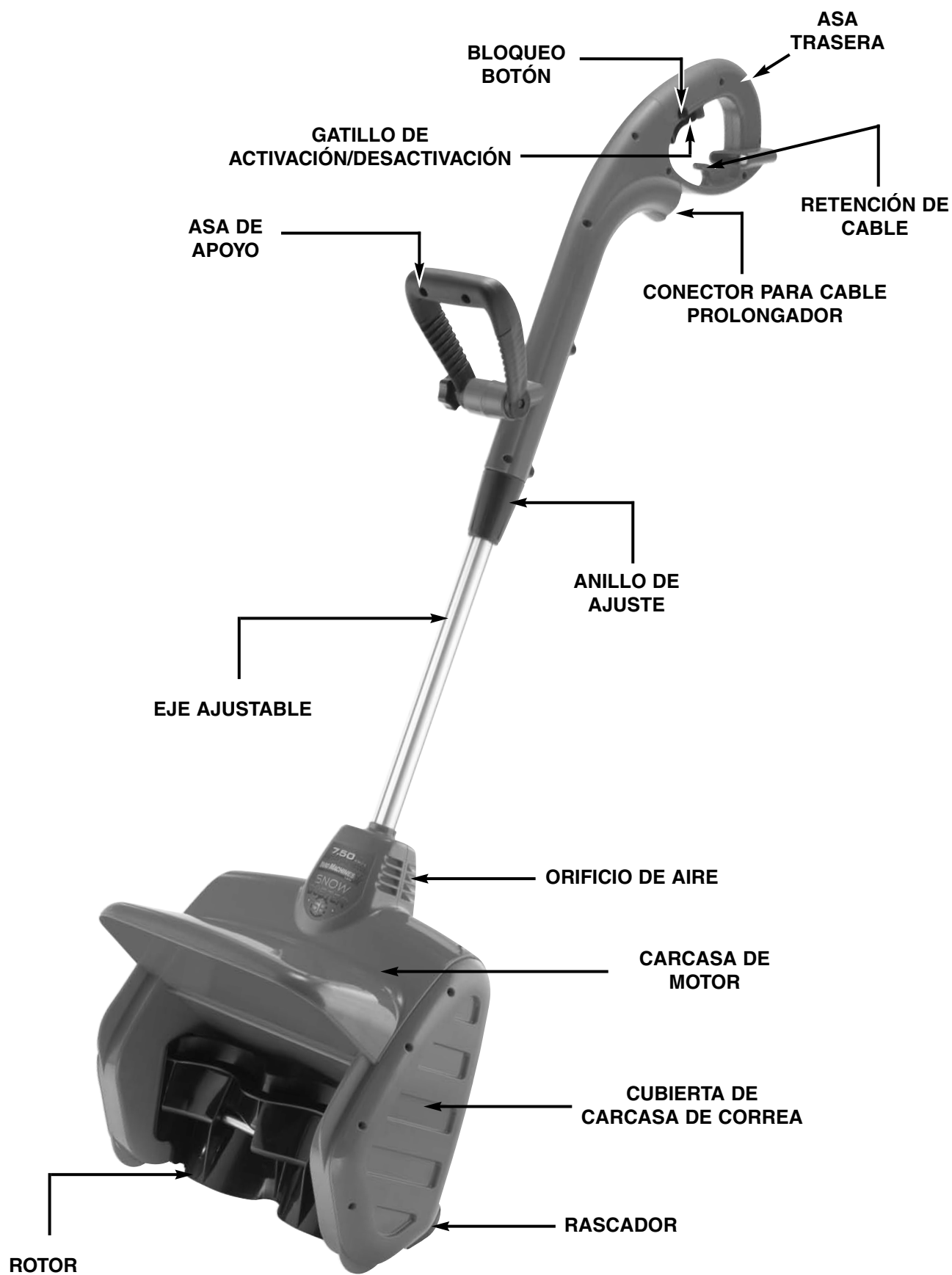
**ADVERTENCIA:** Mantenga las manos, pies y ropa alejados del área de descarga. No se coloque frente a la unidad ni utilice las manos para limpiar el área del rotor.



- **MANTENGA ALEJADOS A LOS OBSERVADORES**

**ADVERTENCIA:** Mantenga a todos los observadores alejados al menos 50 pies (15 m) del área de uso.

# REGLAS DE FUNCIONAMIENTO SEGURO





# INSTRUCCIONES DE ENSAMBLE

## CONECTE EL CABLE

1. Asegúrese de que el cable NO se encuentra conectado en un receptáculo antes de iniciar este procedimiento.
2. Cree un bucle con los últimos 8" - 10" (20 - 25 cm.) del cable prolongador.
3. Coloque el bucle en la ranura (A) situada bajo el asa trasera y bloquéela en el dispositivo de retención de cable (B) como muestra la Figura 1.
4. Conecte el cable prolongador al receptáculo eléctrico situado en el asa del lanzador de nieve.
5. Conecte el cable prolongador a un receptáculo SÓLO si está preparado para utilizar el quitanieves.

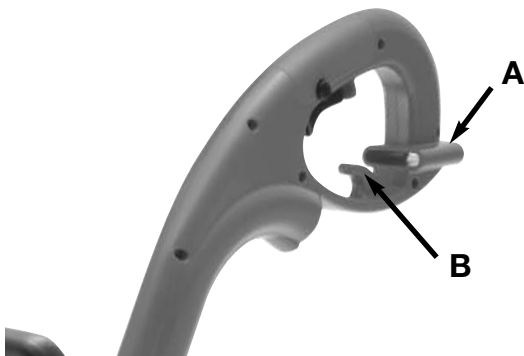


Fig. 1

## AJUSTE DE LA LONGITUD DEL EJE

1. Afloje el anillo de ajuste (A) rotándolo hacia la derecha.
2. Ajuste el eje a una altura cómoda para usted.
3. Apriete el anillo de ajuste (A) rotándolo hacia la izquierda. (Fig. 2)

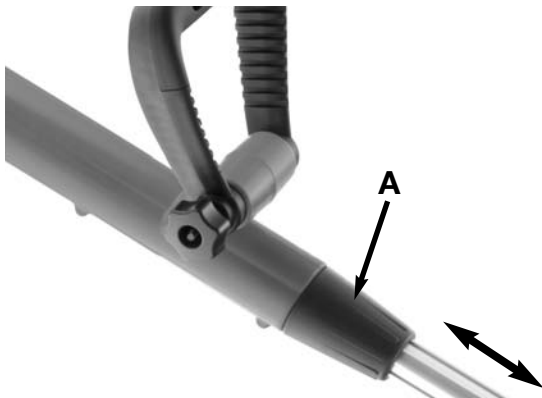


Fig. 2

## COLOCACIÓN DEL ASA DE APOYO

1. Afloje el mando (A) sobre el asa de apoyo (B). (Fig. 3)
2. Ajuste el asa de apoyo a un ángulo cómodo para usted.
3. Apriete el mando situado en el asa de apoyo.

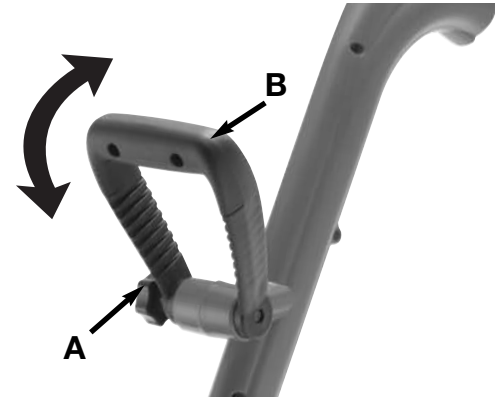


Fig. 3

## ARRANQUE Y PARADA

Para arrancar el quitanieves, presione el botón (A) situado en un lado del asa y apriete el gatillo (B). Para detener el equipo, suelte el gatillo. (Fig. 4)

**NOTA:** Una vez arrancado, el botón de seguridad permanecerá

activado mientras sostenga el gatillo. Una vez liberado el gatillo, la unidad se detendrá y el botón de seguridad se desactivará.

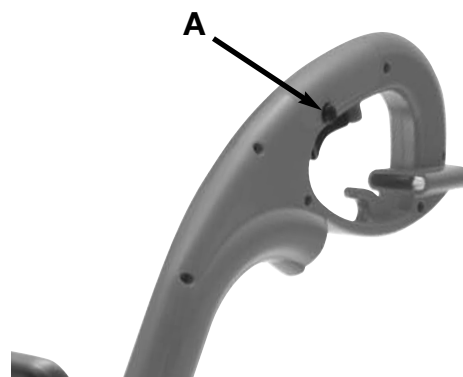


Fig. 4

# INSTRUCCIONES DE ENSAMBLE

## INTERRUPTOR DE PROTECCIÓN DE SOBRECARGA

Este equipo se encuentra equipado con un interruptor de protección de sobrecarga para proteger el circuito (al que está conectado el equipo) de pequeñas sobrecargas de circuito.

### Si el interruptor se desactiva:

1. Libere el seguro y deje que el equipo se detenga y enfríe durante un minuto.
2. Pulse el interruptor de sobrecarga (A) para reiniciarlo. Continúe con el funcionamiento. (Fig. 5)

### Si el interruptor vuelve a desactivarse después de la primera vez:

1. Deje que el equipo se enfríe durante 15 o 30 minutos.
2. Después de que se enfríe el equipo, pulse el interruptor de sobrecarga para reiniciarlo. Continúe con el funcionamiento.

Si el interruptor no permanece insertado sigue desactivándose durante el uso, lleve el equipo a un distribuidor autorizado para que proceda a su reparación.

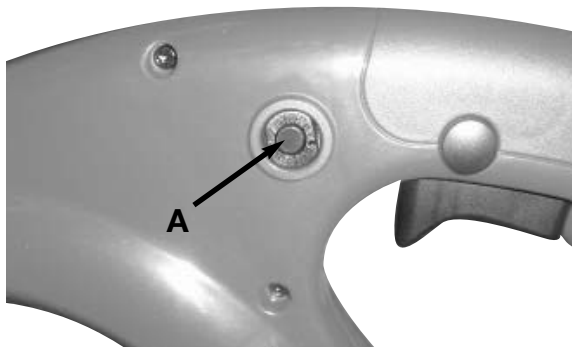


Fig. 5

## SUGERENCIAS PARA CONSEGUIR LOS MEJORES RESULTADOS

1. Para conseguir el mejor resultado al quitar la nieve, realice la operación en sentido descendente.
2. Solape ligeramente la senda que describa durante la operación. (Fig. 6)



Fig. 6

## USO DEL QUITANIEVES

1. Arranque el equipo según las instrucciones de arranque. La profundidad y peso de la nieve gobernará la velocidad de avance.
2. Presione el equipo para hacerlo avanzar.
3. Asegúrese de que el cable de alimentación está conectado al dispositivo de retención. El cable de alimentación debe quedar a un lado del operador.


# INSTRUCCIONES DE MANTENIMIENTO

## REPARACIÓN DEL EQUIPO

Se necesita extremar las precauciones y el conocimiento sobre el sistema para reparar este equipo. La reparación debe ser realizada únicamente por personal cualificado. Los componentes de repuesta de este equipo deben ser idénticos a los originales. Si necesita realizar cualquier reparación, póngase en contacto con su distribuidor autorizado.

## INSPECCIONAR / REEMPLAZAR LA CINTA DE TRANSMISIÓN

Utilice únicamente piezas o repuestos originales del fabricante para reparar el equipo. Inspeccione el desgaste de la cinta de transmisión una vez al año o cada 50 horas de funcionamiento, lo que ocurra antes. Si es necesario reemplazar la cinta de transmisión, siga las instrucciones siguientes.

	<b>ADVERTENCIA:</b> Para evitar serias lesiones personales, apague la unidad y déjela enfriar. Desconecte la unidad antes de realizar cualquier operación de mantenimiento.
--	---

1. Extraiga los 7 tornillos (A) de la cubierta de la cinta (B) utilizando una herramienta Torx #T20 o un destornillador de cabezal plano. (Fig. 7)
2. Extraiga la brida de bloqueo (C) y los 3 tornillos (D) de la cubierta de la cinta (E) utilizando una herramienta Torx #T20 o un destornillador de cabezal plano. (Fig. 8)
3. Tire del dispositivo de tensión de la cinta (F) para alejarlo de la polea de transmisión (G). Extraiga la cinta dañada o rota (H) de la polea de transmisión (I) y la polea del interior del hueco. Deshágase de la cinta de la forma adecuada. (Fig. 9)
4. Pase la cinta alrededor de la polea de transmisión (Fig. 8). Tire del dispositivo de tensión para alejarlo de la polea de transmisión e instale la cinta alrededor de la polea de transmisión.

**NOTA:** Asegúrese de que la arandela se encuentra sobre el eje de la polea antes de volver a instalar la cubierta de la cinta.

5. Vuelva a instalar la brida de bloqueo. Apriete la tuerca hasta 50-100 in · lb (90-11,2 N · m) y vuelva a instalar los 3 tornillos. Apriete todos los tornillos con una torsión de 18-23 in · lb (20-25 N · m).
6. Vuelva a instalar la cubierta con los 7 tornillos. Para facilitar la instalación, coloque la parte más estrecha de la cubierta en el hueco de la carcasa. Instale los 2 tornillos superiores y presione el resto de la cubierta hacia el hueco y sobre el eje del rotor. Apriete los 7 tornillos con una torsión de 18 - 23 in · lb (20 2,5 N · m).

**NOTA:** Si la brida de bloqueo se encuentra dañada, no la reemplace por una tuerca normal. Reemplácela únicamente por un componente original del fabricante.

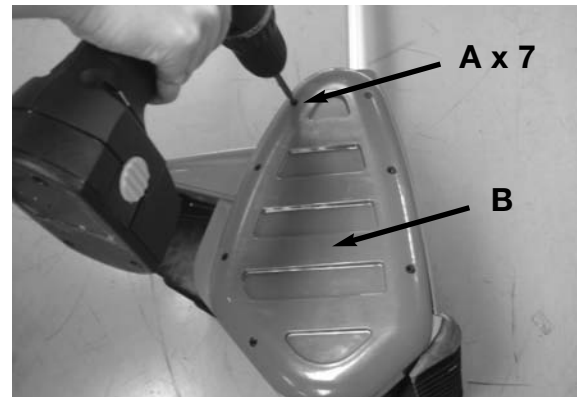


Fig. 7

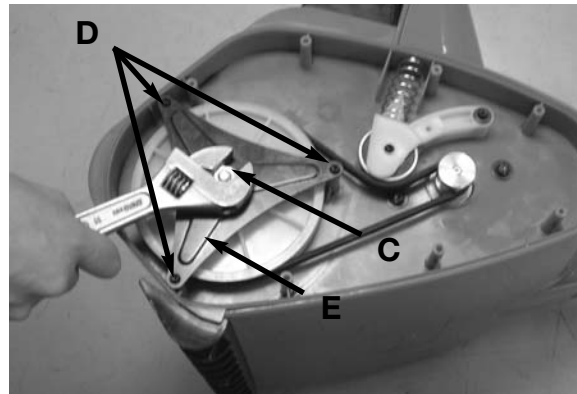


Fig. 8

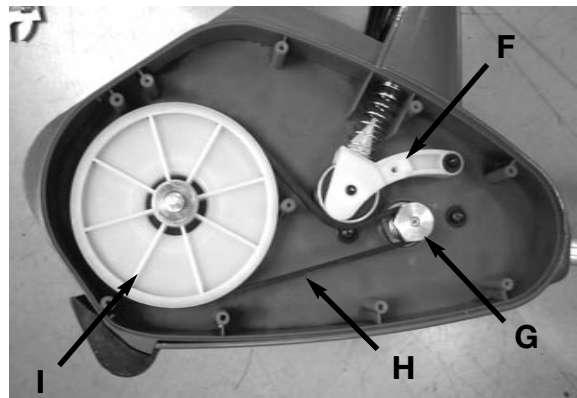



Fig. 9

# INSTRUCCIONES DE ENSAMBLE

## REEMPLAZAR LA PLACA

Utilice únicamente repuestos originales del fabricante.

	<b>ADVERTENCIA:</b> Para evitar serias lesiones personales, apague siempre el equipo y desconéctelo antes de realizar cualquier operación de mantenimiento.
--	---

1. Coloque la unidad sobre el suelo o en un banco de trabajo. Coloque la unidad de forma que los tubos y el rotor queden orientados hacia arriba.
2. Localice los 3 tornillos (A) situados bajo el rotor que mantienen la placa (B) unida a la carcasa. Extráigalos utilizando una herramienta Torx #T20 o un destornillador de cabezal plano. (Fig. 10)
3. Extraiga el rascador y deshágase de él correctamente.
4. Coloque el nuevo rascador en su posición. Una vez colocado, asegúrelo en el equipo reinstalando los 3 tornillos.

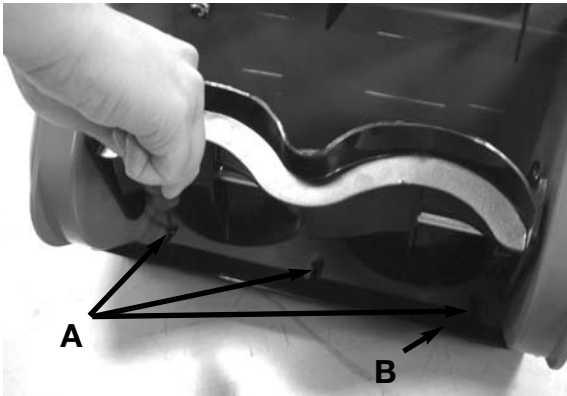



Fig. 10

## ALMACENAMIENTO

1. Deje que el motor se enfríe antes de su almacenamiento.
2. Almacene el equipo bloqueado para evitar usos no autorizados o lesiones.
3. Almacene el equipo en una zona seca y bien ventilada.
4. Almacene el equipo alejado del alcance de los niños.

## LIMPIEZA

	<b>ADVERTENCIA:</b> Para evitar serias lesiones personales, apague siempre el equipo y desconéctelo antes de realizar cualquier operación de mantenimiento.
---	---

Utilice una brocha pequeña para limpiar la carcasa exterior del equipo. No utilice detergentes fuertes. Los detergentes domésticos que contienen aceites aromáticos de pino y limón, así como los disolventes como el queroseno, podrían dañar la carcasa o el asa de plástico. Elimine cualquier resto de humedad con un paño suave.

## TRANSPORTE

1. Asegure el equipo durante su transporte.
2. Para desplazar el equipo, agárrelo por las asas superior y central.

# RESOLUCION DE PROBLEMAS

## EL EQUIPO NO ARRANCA

### CAUSA

El equipo está desconectado

Botón de bloqueo de gatillo o gatillo accionado incorrectamente.

Se ha activado el interruptor de protección contra sobrecargas

### ACCIÓN

Compruebe el cable y asegúrese de que está conectado a una toma eléctrica

Mantenga pulsado el botón de bloqueo de gatillo y presione el gatillo

Presiónelo y siga las instrucciones de arranque

## EL MOTOR ESTÁ ENCENDIDO, PERO EL ROTOR NO GIRA

### CAUSA

La cinta está dañada

### ACCIÓN

Reemplace la cinta según el procedimiento de inspección / reemplazo de la cinta de transmisión

## LA UNIDAD DEJA UNA DELGADA CAPA DE NIEVE EN SUPERFICIES TERROSAS

### CAUSA

El rascador está deteriorado

### ACCIÓN

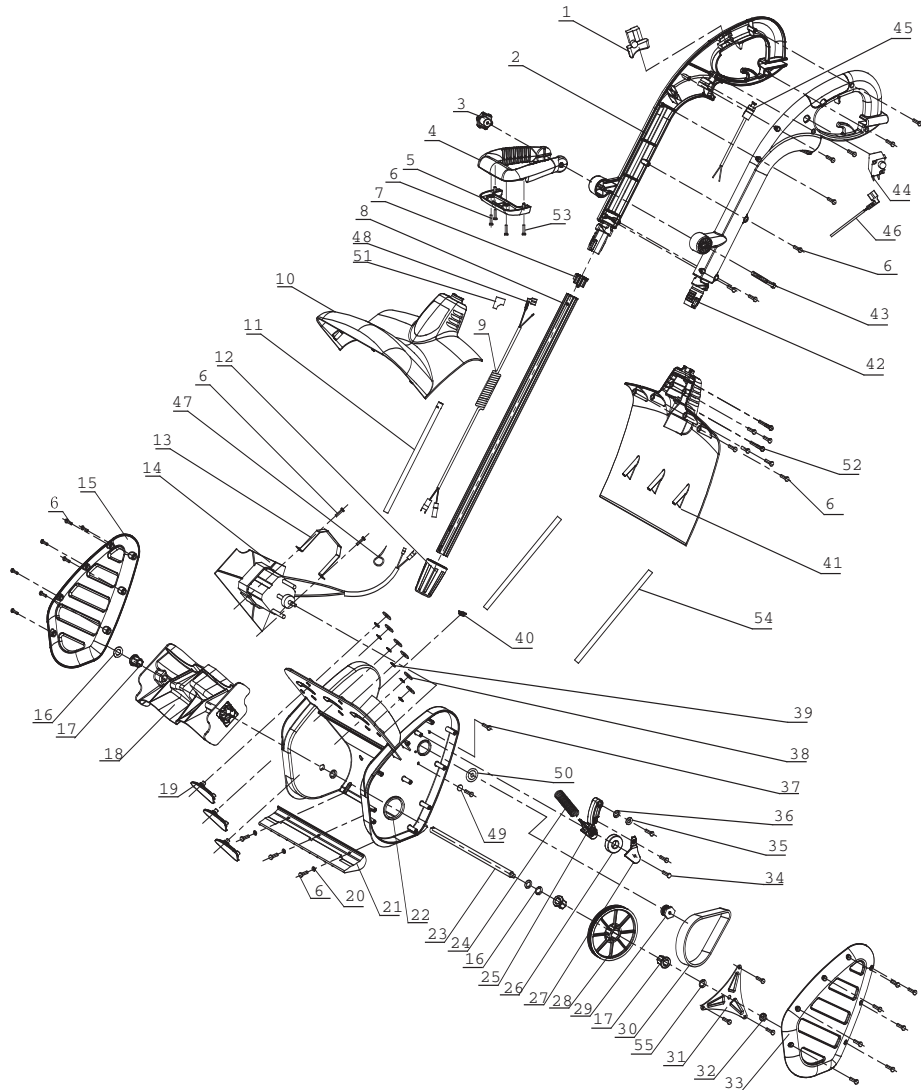
Reemplace el rascador

**Si necesita más ayuda, póngase en contacto con su distribuidor autorizado**

## ESPECIFICACIONES

Tipo de motor .....	A.C. Eléctrico de 120 Voltios
Amperaje .....	.7,5 Amperios
Anchura de limpieza .....	.12,5" (318 mm)
Altura de la toma .....	.6" (152 mm)
Peso .....	.15 Lbs.

# LISTA DE PIEZAS



N.	N. Componente	Descripción	N.	N. Componente	Descripción
1	6022-MD2301	INTERRUPTOR	29	6137-MD2302	POLEA ACTIVA
2	6068-MD2301	ASA DERECHA	30	6149-MD2301	CORREA
3	6134-B23B01	MANDO	31	6072-MD2301	PLACA FIJA
4	6196-MD2302	ASA DE APOYO	32	9NAC-08	TUERCA
5	6196-MD2301	ASA DE APOYO	33	6017-MD2302	CUBIERTA IZQUIERDA
6	6SGEBB04-18	TORNILLO	34	6SDABB04-20	TORNILLO
7	6070-B23B01	TUBO DE CONEXIÓN	35	6WFB-04-12	ARANDELA
8	6037-MD2301	TUBO	36	9WFB-08-13	ARANDELA
9	6010-MD2301	CÓDIGO DE RESORTE	37	9SKKBY10/24-0.5	TORNILLO
10	6067-MD2301	TAPADERA DE CARCASA	38	6014-MD2302	ARANDELA
11	6129-MD2301	TUBO	39	6189-MD2301	ARANDELA
12	6131-MD2301	BOBINA	40	6078-MD2301	TAPÓN
13	6187-MD2301	PLACA FIJA	41	6067-MD2302	PORTE INFERIOR DE LA CARCASA
14	6099-MD2301	MOTOR	42	6068-MD2302	ASA IZQUIERDA
15	6017-MD2301	CUBIERTA DERECHA	43	6SXDZ-06-100	TORNILLO
16	6014-MD2301	ARANDELA	44	6022-MD2302	INTERRUPTOR DE PROTECCIÓN
17	6148-MD2301	MANGUITO	45	6041-MD2301	CONECTOR
18	6250-MD2301	CUCHILLA	46	6010-MD2304	ALAMBRE
19	6100-MD2302	PLACA	47	6032-070-01	LA BANDA, EL PLASTICO
20	6WFB-04	ARANDELA	48	6041-610201	TERMINAL
21	6200-MD2301	PLACA	49	6014-MD2303	ARANDELA
22	6064-MD2301	BASTIDOR PRINCIPAL	50	6139-MD2302	ARANDELA PASTICA
23	6111-MD2301	EJE	51	6059-MD2304	TUBO
24	6024-MD2301	RESORTE	52	6SGEBB04-35	TORNILLO
25	6004-MD2302	PARTE INFERIOR DEL SOPORTE	53	6SDABB3.5-18	TORNILLO
26	6DB-620301	SOPORTE	54	6183-MD2301	JUNTA DE CULATA
27	6004-MD2301	PARTE SUPERIOR DEL SOPORTE	55	6014+211901	ARANDELA
28	6137-MD2301	POLEA			

**NOTAS**

# GARANTÍA LIMITADA DEL FABRICANTE PARA:



MTD LLC concede la garantía limitada establecida debajo para mercancías nuevas que sean compradas y usadas en los Estados Unidos, sus posesiones y territorios.

MTD LLC garantiza este producto contra defectos en el material y la mano de obra durante un período de dos (2) años, a partir de la fecha de compra original y a su entera discreción, arreglará o substituirá sin costo alguno cualquier pieza cuyo material o mano de obra se considere defectuoso. Esta garantía limitada se deberá aplicar únicamente si este producto ha sido manejado y mantenido de acuerdo al Manual del Operario incluido con el producto y, si no ha sido sometido a mal uso, abuso, uso comercial, negligencia, accidente, mantenimiento inapropiado, alteración, vandalismo, hurto, fuego, agua o daños debidos a otros riesgos o desastre natural. Los daños ocasionados por la instalación o el uso de cualquier accesorio o aditamento que no esté aprobado por MTD y que sea usado con el (los) producto(s) contemplados en este manual, anularán la garantía con respecto a cualquier daño resultante. Esta garantía está limitada a noventa (90) días a partir de la fecha de compra original al detalle de cualquier producto MTD que se use para alquiler, para propósitos comerciales o cualquier otro propósito que genere ingresos.

**CÓMO OBTENER SERVICIO:** El servicio de garantía se encuentra disponible A TRAVÉS DE SU DISTRIBUIDOR LOCAL AUTORIZADO, AL PRESENTAR UN COMPROBANTE DE COMPRA. Para ubicar al distribuidor de su área, por favor consulte las Páginas Amarillas o contacte al Departamento de Servicio al Consumidor de MTD LLC llame al 1-866-747-9816 o, escriba a P.O. Box 361131, Cleveland OH 44136-0019. Si está en Canadá, llame al 1-800-668-1238. No se aceptará ningún producto que sea enviado directamente a la fábrica, a menos que haya recibido autorización previa por escrito por parte del Departamento de Servicio al Consumidor de MTD LLC.

**Esta garantía limitada no ofrece cobertura en los siguientes casos:**

- A. Correa de transmisión
- B. MTD no le ofrece ninguna garantía a los productos que sean vendidos o exportados fuera de los Estados Unidos de América, sus posesiones y territorios, excepto aquellos que se vendan a través de los canales de distribución para exportación autorizados por MTD.

MTD se reserva el derecho a cambiar o mejorar el diseño de cualquier producto MTD, sin adoptar ninguna obligación para modificar cualquier producto fabricado con anterioridad.

**Ninguna garantía implícita es aplicable después del período de aplicabilidad de la garantía expresa escrita con anterioridad, incluyendo cualquier garantía implícita de comerciabilidad o idoneidad para un propósito particular con respecto a las piezas identificadas. Exceptuando lo mencionado anteriormente, ninguna otra garantía expresa bien sea escrita o verbal con respecto a cualquier producto que sea concedida por cualquier persona o entidad, incluyendo al distribuidor o minorista, deberá comprometer a MTD LLC durante el período de la Garantía, el remedio exclusivo es el arreglo o la sustitución del producto según lo establecido anteriormente.** (Algunos estados no permiten limitaciones en cuanto al período de duración de una garantía implícita, de manera que puede que la limitación anterior no sea aplicable en su caso.)

**Las estipulaciones establecidas en esta Garantía ofrecen la solución única y exclusiva que resulte de las ventas. MTD no deberá ser responsable de pérdidas o daños incidentales o consecuentes que incluyan, sin limitación, gastos incurridos debido a la sustitución de servicios de mantenimiento de prados, transporte o gastos relacionados, o gastos de alquiler para reemplazar temporalmente un producto bajo garantía.** (Algunos estados no permiten limitaciones en cuanto al período de duración de una garantía implícita, de manera que puede que la limitación anterior no sea aplicable en su caso.)

Ningún tipo de recuperación deberá ser superior al precio de compra del producto vendido, en ningún caso. La alteración de las características de seguridad del producto deberá anular esta Garantía. Usted adopta el riesgo y la obligación de la pérdida, daño o lesión en su persona o a su propiedad y/o la de otras personas y sus propiedades, que se origine a raíz del uso o mal uso, o la incompetencia para usar el producto.

Esta garantía limitada no deberá cubrir a ninguna otra persona distinta al comprador original, arrendatario original, o la persona para la cual se compró en calidad de regalo.

Relación de las leyes estatales con esta Garantía: Esta garantía le confiere derechos legales específicos, y puede que usted también tenga otros derechos, los cuales varían en cada estado.

Para ubicar a su distribuidor de servicio más cercano, llame al 1-866-747-9816 en los Estados Unidos o al 1-800-668-1238 en Canadá.

**MTD LLC**

PO Box 361131  
Cleveland, OH 44136-0019





# **YARD MACHINES**

by **MTD** 



**For problems or questions, DO NOT return this product to the store. Contact your Customer Service Agent .**

**En cas de problèmes ou pour des questions, NE PAS retourner ce produit au point de vente. S'adresser au préposé du Service à la clientèle en composant.**

**Para problemas o preguntas, NO devolver este producto a la tienda Contacte a su Agente de Servicio al Cliente.**

U.S.A. Imported by:  
MTD LLC  
P.O. Box 361131  
Cleveland, OH 44136-0019

Canada Imported by / Importé par:  
MTD PRODUCTS LIMITED  
97 Kent Avenue  
Kitchener, ON  
CANADA N2G 4J1

For Consumer Assistance Please Call  
L'Aide Du Consommateur Neccsitez S'il Vous Plait  
Para La Ayuda Del Consumidor Llame Por Favor



**U.S.A. 1-866-747-9816**  
**CANADA 1-800-668-1238**

Made in China / Fabriqué à China / Hecho en China

## Free Manuals Download Website

<http://myh66.com>

<http://usermanuals.us>

<http://www.somanuals.com>

<http://www.4manuals.cc>

<http://www.manual-lib.com>

<http://www.404manual.com>

<http://www.luxmanual.com>

<http://aubethermostatmanual.com>

Golf course search by state

<http://golfingnear.com>

Email search by domain

<http://emailbydomain.com>

Auto manuals search

<http://auto.somanuals.com>

TV manuals search

<http://tv.somanuals.com>