

**Models: 60-3753-6
60-3754-4**

IMPORTANT: Read safety rules and instructions carefully before operating equipment.

FOR CUSTOMER ASSISTANCE CALL 1-866-523-5218

Printed in U.S.A.

772C0713
(1/2005)

TABLE OF CONTENTS

Content	Page	Content	Page
Customer Support	2	Ajustments	13
Important Safe Operation Practices	3	Maintenance & Service	15
Setting Up Your SnowtThrower	5	Off Season Storage	19
Knowing Your Snow Thrower	8	Trouble Shooting	20
Operation	10	Warranty	21
		Illustrated Parts List	22


FINDING MODEL NUMBER

This Operator's Manual is an important part of your new snow thrower. It will help you to assemble, prepare and maintain the unit for best performance. Please read and understand what it says.



Before you start assembling your new snow thrower, please locate the model plate on the equipment and copy the information from it in the space provided below. The information on the model plate is very important if you need help from our Customer Support Department or an authorized dealer.

- You can locate the model number by standing behind the unit in the operating position and looking down at the frame. A sample model plate is explained below. For future reference, please copy the model number and the serial number of the equipment in the space below.

Model Number Numéro de modèle	Serial Number Numéro de série
XXXXXXXXXX XX-XXXX-X	XXXXXXXXXX
 YARDWORKS TORONTO, ONT. M5B 2B8 1-888-939-0992	

Copy the model number here: _____

Copy the serial number here: _____

ENGINE INFORMATION

The engine manufacturer is responsible for all engine-related issues with regards to performance, power-rating, specifications, warranty and service. Please refer to the engine manufacturer's Owner's/Operator's Manual packed separately with your unit for more information.

CALLING CUSTOMER SUPPORT

Please do NOT return the unit to the retailer from which it was purchased, without first contacting Customer Support.



If you have difficulty assembling this product or have any questions regarding the controls, operation or maintenance of this unit, please call a Customer Support Representative. **1-866-523-5218**

Please have your unit's model number and serial number ready when you call. See previous section to locate this information. You will be asked to enter the serial number in order to process your call.

SECTION 1: IMPORTANT SAFE OPERATION PRACTICES



WARNING: This symbol points out important safety instructions which, if not followed, could endanger the personal safety and/or property of yourself and others. Read and follow all instructions in this manual before attempting to operate this machine. Failure to comply with these instructions may result in personal injury. When you see this symbol—**heed its warning.**



WARNING: Engine Exhaust, some of its constituents, and certain vehicle components contain or emit chemicals known to State of California to cause cancer and birth defects or other reproductive harm.



DANGER: This machine was built to be operated according to the rules for safe operation in this manual. As with any type of power equipment, carelessness or error on the part of the operator can result in serious injury. This machine is capable of amputating hands and feet and throwing objects. Failure to observe the following safety instructions could result in serious injury or death.

Training

1. Read, understand, and follow all instructions on the machine and in the manual(s) before attempting to assemble and operate. Keep this manual in a safe place for future and regular reference and for ordering replacement parts.
2. Be familiar with all controls and their proper operation. Know how to stop the machine and disengage them quickly.
3. Never allow children under 14 years old to operate this machine. Children 14 years old and over should read and understand the operation instructions and safety rules in this manual and should be trained and supervised by a parent.
4. Never allow adults to operate this machine without proper instruction.
5. Thrown objects can cause serious personal injury. Plan your snow throwing pattern to avoid discharge of material toward roads, bystanders and the like.
6. Keep bystanders, helpers, pets and children at least 75 feet from the machine while it is in operation. Stop machine if anyone enters the area.
7. Exercise caution to avoid slipping or falling, especially when operating in reverse.
8. Let engine and machine adjust to outdoor temperature before starting to clear snow.
9. To avoid personal injury or property damage use extreme care in handling gasoline. Gasoline is extremely flammable and the vapors are explosive. Serious personal injury can occur when gasoline is spilled on yourself or your clothes which can ignite. Wash your skin and change clothes immediately.
 - a. Use only an approved gasoline container.
 - b. Extinguish all cigarettes, cigars, pipes and other sources of ignition.
 - c. Never fuel machine indoors.
 - d. Never remove gas cap or add fuel while the engine is hot or running.
 - e. Allow engine to cool at least two minutes before refueling.
 - f. Never over fill fuel tank. Fill tank to no more than ½ inch below bottom of filler neck to provide space for fuel expansion.
 - g. Replace gasoline cap and tighten securely.
 - h. If gasoline is spilled, wipe it off the engine and equipment. Move machine to another area. Wait 5 minutes before starting the engine.
 - i. Never store the machine or fuel container inside where there is an open flame, spark or pilot light (e.g. furnace, water heater, space heater, clothes dryer etc.).
 - j. Allow machine to cool at least 5 minutes before storing.

Preparation

1. Thoroughly inspect the area where the equipment is to be used. Remove all door mats, newspapers, sleds, boards, wires and other foreign objects which could be tripped over or thrown by the auger/impeller.
2. Always wear safety glasses or eye shields during operation and while performing an adjustment or repair to protect your eyes. Thrown objects which ricochet can cause serious injury to the eyes.
3. Do not operate without wearing adequate winter outer garments. Do not wear jewelry, long scarves or other loose clothing which could become entangled in moving parts. Wear footwear which will improve footing on slippery surfaces.
4. Use a grounded extension cord and receptacle for all units with electric start engines.
5. Adjust collector housing height to clear gravel or crushed rock surfaces.
6. Disengage the control handle before starting the engine.
7. Never attempt to make any adjustments while engine is running, except where specifically recommended in the operator's manual.

Operation

1. Do not put hands or feet near rotating parts, in the auger housing or discharge chute. Contact with the rotating parts can amputate hands and feet.
2. The auger control handle is a safety device. Never bypass its operation. Doing so, makes the machine unsafe and may cause personal injury.
3. The control handle must operate easily in both directions and automatically return to the disengaged position when released.
4. Never operate with a missing or damaged discharge chute. Keep all safety devices in place and working.
5. Never run an engine indoors or in a poorly ventilated area. Engine exhaust contains carbon monoxide, an odorless and deadly gas.
6. Do not operate machine while under the influence of alcohol or drugs.

7. Muffler and engine become hot and can cause a burn. Do not touch.
8. Exercise extreme caution when operating on or crossing gravel surfaces. Stay alert for hidden hazards or traffic.
9. Exercise caution when changing direction and while operating on slopes.
10. Plan your snow throwing pattern to avoid discharge towards windows, walls, cars etc. To avoid property damage or personal injury caused by a ricochet.
11. Never direct discharge at children, bystanders and pets or allow anyone in front of the machine.
12. Do not overload machine capacity by attempting to clear snow at too fast of a rate.
13. Never operate this machine without good visibility or light. Always be sure of your footing and keep a firm hold on the handles. Walk, never run.
14. Disengage power to the auger/impeller when transporting or not in use.
15. Never operate machine at high transport speeds on slippery surfaces. Look down and behind and use care when in reverse.
16. If the machine should start to vibrate abnormally, stop the engine, disconnect the spark plug and ground it against the engine. Inspect thoroughly for damage. Repair any damage before starting and operating.
17. Disengage the control handle and stop engine before you leave the operating position (behind the handles). Wait until the auger comes to a complete stop before unclogging the discharge chute, making any adjustments, or inspections.
18. Never put your hand in the discharge or collector openings. Always use a clearing tool to unclog the discharge opening.
19. Use only attachments and accessories approved by the manufacturer.
20. If situations occur which are not covered in this manual, use care and good judgment. Call customer assistance for the name of your nearest servicing dealer.

Maintenance And Storage

1. Never tamper with safety devices. Check their proper operation regularly.
2. Disengage the control handle and stop engine. Wait until the auger/impeller come to a complete stop. Disconnect the spark plug wire and ground against the engine to prevent unintended starting before cleaning, repairing, or inspecting.
3. Check bolts, and screws for proper tightness at frequent intervals to keep the machine in safe working condition. Also, visually inspect machine for any damage.
4. Do not change the engine governor setting or over-speed the engine. The governor controls the maximum safe operating speed of the engine.
5. Snow thrower shave plates and skid shoes are subject to wear and damage. For your safety protection, frequently check all components and replace with original equipment manufacturer's (O.E.M.) parts only. "Use of parts which do not meet the original equipment specifications may lead to improper performance and compromise safety!"
6. Check controls periodically to verify they engage and disengage properly and adjust, if necessary. Refer to the adjustment section in this operator's manual for instructions.
7. Maintain or replace safety and instruction labels, as necessary.
8. Observe proper disposal laws and regulations for gas, oil, etc. to protect the environment.
9. Prior to storing, run machine a few minutes to clear snow from machine and prevent freeze up of auger/impeller.
10. Never store the machine or fuel container inside where there is an open flame, spark or pilot light such as a water heater, furnace, clothes dryer etc.
11. Always refer to the operator's manual for proper instructions on off-season storage.

Your Responsibility:

- Restrict the use of this power machine to persons who read, understand and follow the warnings and instructions in this manual and on the machine.



SECTION 2: SETTING UP YOUR SNOW THROWER

NOTE: The snow thrower is shipped with oil and **WITHOUT GASOLINE**. After assembly, refer to separate engine manual for proper fuel and engine oil recommendations.

Unpacking

- Cut along corners of the carton and lay it down flat. Remove packing material.
- Remove any loose parts included with unit (i.e., operator's manual, etc.).
- Roll unit out of carton. Check carton thoroughly for any remaining loose part.

Loose Parts

Your snow thrower has been assembled at the factory except the parts shipped loose in the carton. These are listed below.

- a. Electric Start Cord (optional)
- b. Shear Pins and Cotter Pins

Before Assembly

Disconnect spark plug wire and ground it against the engine to prevent unintended starting.

NOTE: All references in this manual to the left or right side of the snow thrower is from the operating position only. Exceptions, if any, will be specified.

NOTE: This Operator's Manual covers several models, handle panels, lights and chute cranks are some features that may vary by model. Not all features referenced in this manual are applicable to all snowthrower models.

Setting up the Snow Thrower

Handle

1. Observe the lower rear area of the snow thrower to be sure both cables are aligned with roller guides before pivoting the handle upward until it clicks into the place. See Figure 1.
2. Slide the shift rod connector down over the end of the lower shift rod. Tap the connector until it **locks** over the lower shift rod. See Figure 2.
3. Tighten two handle knobs firmly to secure the upper handle to the lower handles. See Figure 1.

NOTE: If the connector is not properly assembled, the shift rod will pivot and changing speed or direction of the snow thrower will not be possible.

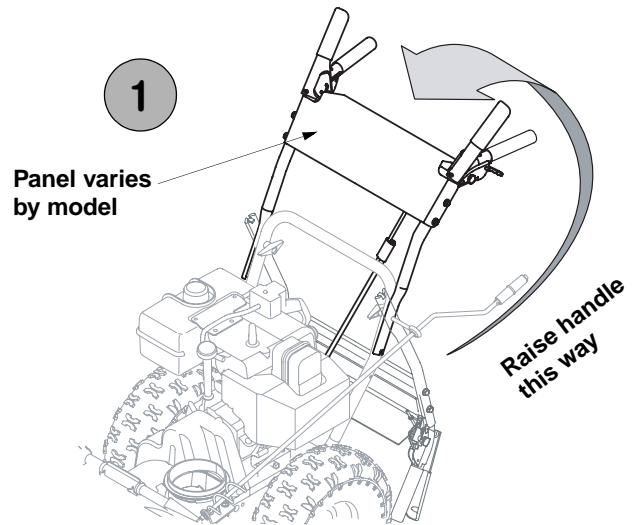


Figure 1

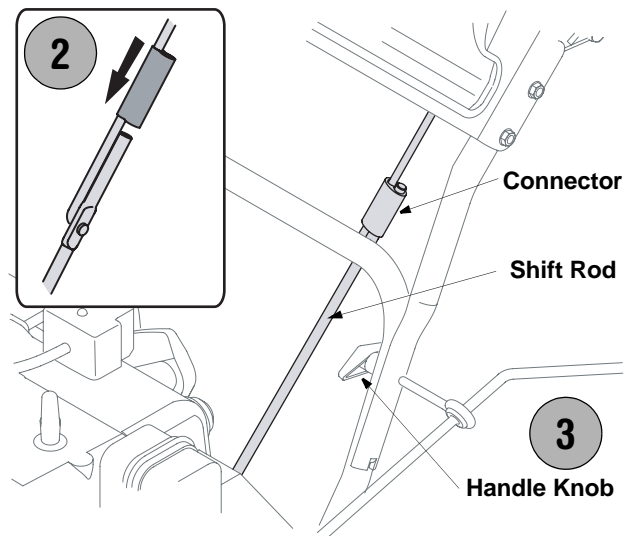


Figure 2

Chute Assembly (all models)

1. Apply a light lubricant (i.e. 3-in-1 oil) to the base of the chute assembly.
2. Place the chute assembly on the lip of the chute adapter. See Figure 3
3. One end of each chute keeper is already attached to the chute flange. Pivot the free end of the chute keeper to align it with the chute flange and push it till it snaps into position. See Figure 4. Repeat with remaining chute keepers.

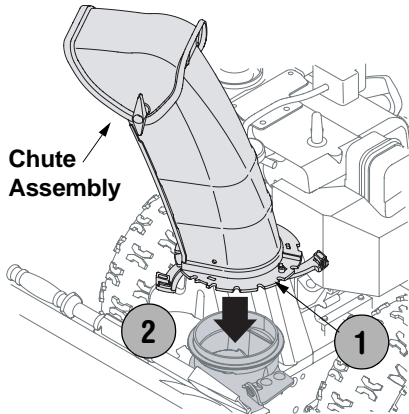


Figure 3

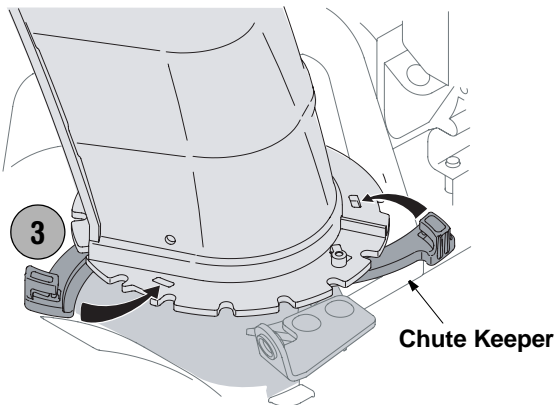


Figure 4

For Models with 4 Way Chute Control Box

1. Pull the hairpin clip out of the clevis pin on the chute support tube. Save this hardware.

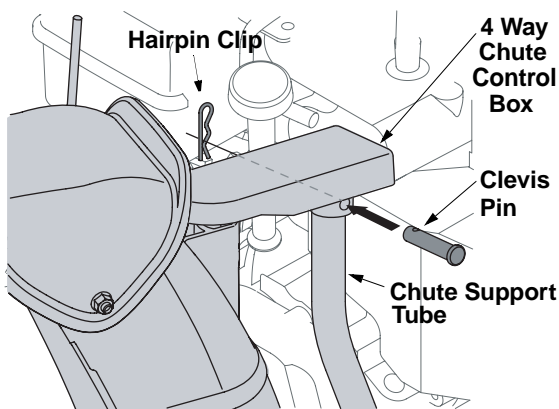


Figure 5

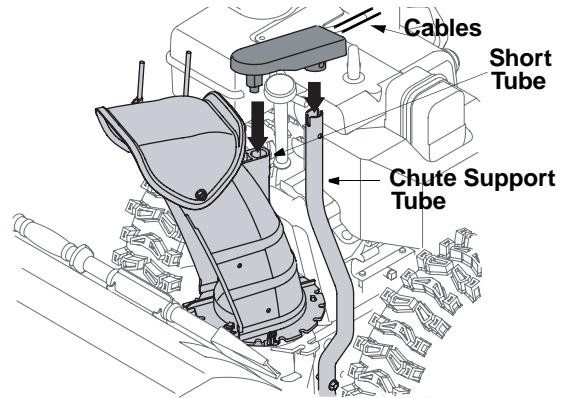


Figure 6

2. Position the chute assembly so the chute opening is facing the front of the unit.
3. Place the chute control box on the short tube of the chute assembly and the chute support tube of the chute assembly as shown in Figure 6, cables should be towards the operator.
4. Insert the clevis pin, earlier removed, through the holes on the chute control box and chute support tube. Secure with the hairpin clip. See Figure 5.

For Models with 2Way Chute Control

1. Slip the cables, running from the chute to the handle panel into the cable guide located on top of the engine. See Figure 7 .

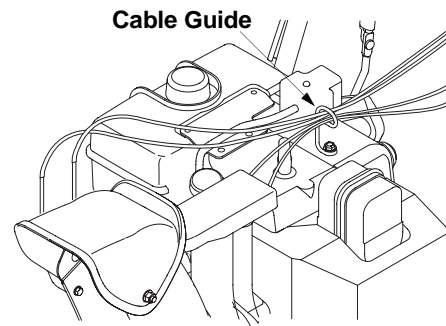


Figure 7

Models with a Chute Directional Control

1. Remove the flat washer and hairpin clip from the end of the chute directional control. Insert the end of the chute directional control into the lower bracket and secure with the flat washer and hairpin clip just removed. See Figure 8.

NOTE: If necessary, the lower bracket can be adjusted. Refer to **Chute Bracket Adjustment**. in the **Adjustment Section**.

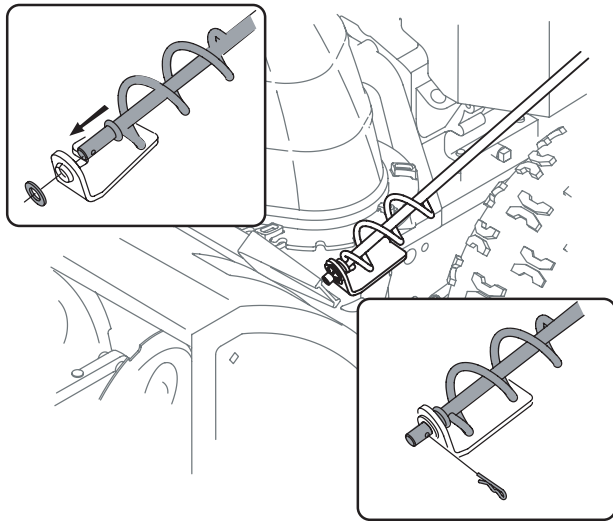
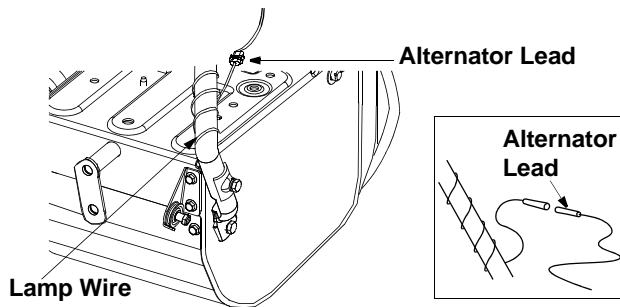


Figure 8

Lamp Wire (optional)

1. Make sure the lamp wire is wrapped down the right handle as shown in Figure 9 .
2. Make sure the lamp wire is plugged into the alternator lead wire under the fuel tank. See Figure 9 inset.



NOTE: Wheels are omitted from illustration for clarity.

Figure 9

Chute Clean-out Tool

1. The chute clean-out tool is fastened with a cable tie to the rear of the auger housing for shipping purposes. Cut the cable tie and remove the extension cord (if equipped) before operating the snow thrower.

Final Adjustments

After setting up your snow thrower, check the adjustments as instructed below and make any final adjustments necessary **before** operating the unit.

CAUTION: Failure to comply with these adjustment instructions may cause damage to the unit.



CAUTION: Prior to operating your snow thrower, refer to **Auger Control Test** on page 12. Read and follow all instructions carefully and perform all adjustments to verify your snow thrower is operating safely and properly.

Tire Pressure

- Before operating, check tire pressure and reduce pressure in both tires to between 15 psi and 20 psi.

NOTE: *If the tire pressure is not equal in both tires, the unit may not travel in a straight path and the shave plate may wear unevenly.*

Skid Shoe

Locate the shave plate and the skid shoes in Figure 10. The space between this shave plate and the ground can be adjusted, refer to the Adjustment section of this manual.

IMPORTANT: It is not recommended that you operate this snow thrower on gravel as loose gravel can be easily picked up and thrown by the auger causing personal injury or damage to the snow thrower.

If for some reason, you have to operate the snow thrower on gravel, keep the skid shoe in the highest position for maximum clearance between the ground and the shave plate.

SECTION 3: KNOWING YOUR SNOW THROWER

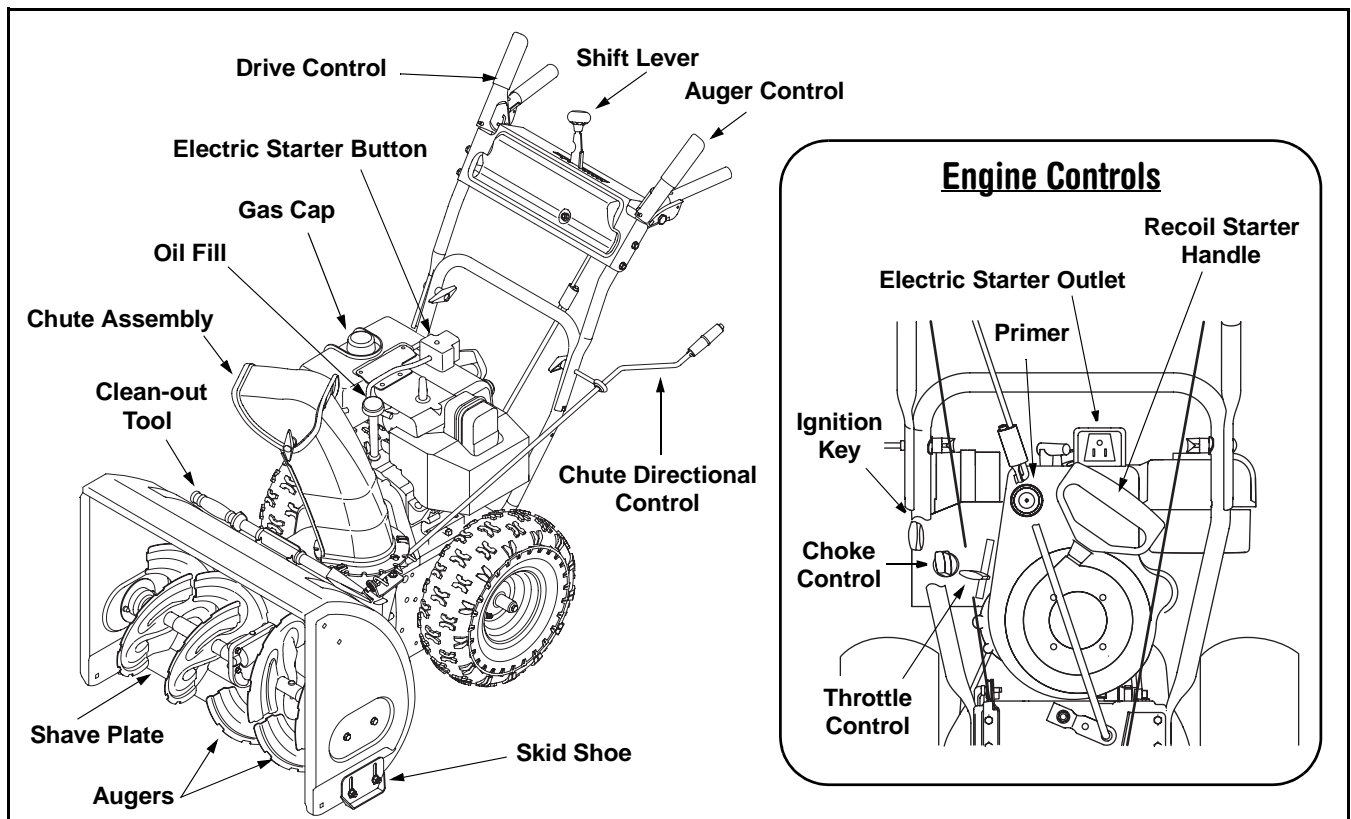


Figure 10



WARNING: Read, understand, and follow all instructions and warnings on the machine and in this manual before operating.

NOTE: For detailed starting instructions and more information on all engine controls, refer to the *separate engine* manual packed with your unit

Shift Lever

The shift lever is located in the center of the handle panel and is used to determine ground speed and direction of travel.

Forward

There are six forward (F) speeds. Position one (1) is the slowest and position five (6) is the fastest.

Reverse

There are two reverse (R) speeds. One (1) is the slower and two (2) is the faster.

Choke Control



The choke control is found on the rear of the engine and is activated by rotating the knob clockwise. Activating

the choke control closes the choke plate on the carburetor and aids in starting the engine.

Throttle Control

The throttle control is located on the engine. It regulates the speed of the engine and will shut off the engine when pushed down completely.

Primer

Depressing the primer forces fuel directly into the engine's carburetor to aid in cold-weather starting.

Oil Fill

Engine oil level can be checked and oil added through the oil fill.

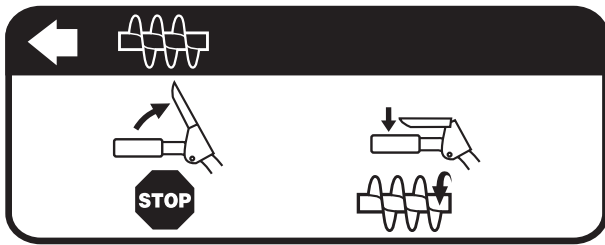
Ignition Key

The ignition key is a safety device. It must be **fully** inserted in order for the engine will start. Remove the ignition key when the snow thrower is not in use.

IMPORTANT: *Do not attempt to turn the key.*



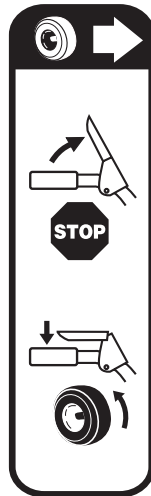
Auger Control



The auger control is located on the **left** handle. Squeeze the auger control against the handle to engage the augers and start snow throwing action. Release to stop.

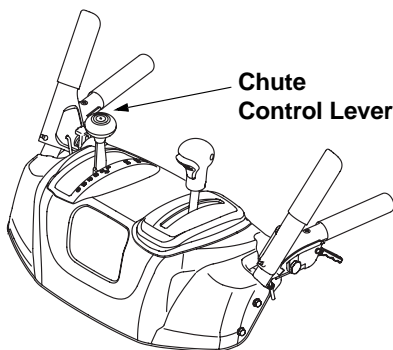
Drive Control

The drive control is located on the **right** handle. Squeeze the drive control against the handle to engage the wheel drive. Release to stop.



4 Way Chute Control (optional)

This four-way control lever is meant to control the direction and distance of snow discharge from the chute. Press the button on the knob and pivot it left or right to rotate the chute to the *direction* that snow will be thrown. Tilt the lever forward or rearward to adjust the *distance* snow will be thrown.



2 Way Chute Control (optional)

This two-way control lever is meant to control the distance of snow discharge from the chute. Tilt the lever forward or rearward to adjust the *distance* snow will be thrown.

Chute Directional Control (optional)



The chute directional control is located on left side of the snow thrower.

To change the direction in which snow is thrown, turn chute directional control as follows:

- Crank clockwise to discharge to the left.
- Crank counterclockwise to discharge to the right.

Clean-Out Tool



WARNING: Never use your hands to clear a clogged chute assembly. Shut off engine and remain behind handles until all moving

The tool is designed to clear a clogged chute assembly. Refer to **Operating Your Snow Thrower** section for more detailed information regarding the chute clean-out tool.

Skid Shoes

The space between the shave plate and the ground can be adjusted by moving the skid shoes.

For close snow removal and hard packed snow, place skid shoes in the lowest position. Use middle or high position when area to be cleared is uneven or gravel surface.

Make certain the entire bottom surface of the skid shoe is against the ground to avoid uneven wear on the slide shoes.

Recoil Starter Handle

The recoil starter handle is used to manually start the engine.

Electric Starter Button (If so equipped)

Pressing the electric starter button engages the engine's electric starter when plugged into a 120V power source.

Electric Starter Outlet (If so equipped)

Requires use of a three-prong outdoor extension cord (packed with the snow thrower) and a 120V power source/wall outlet.

Augers

When engaged, the augers rotate and draw snow into the housing.

Chute Assembly

Snow drawn into the auger housing is discharged out the chute assembly.

SECTION 4: OPERATING YOUR SNOW THROWER

Before Starting



WARNING: Read, understand, and follow all instructions and warnings on the machine and in this manual before operating.

Gas & Oil Fill-Up

Service the engine with gasoline and oil as instructed in the separate engine manual packed with your snow thrower. **Read instructions carefully.**



WARNING: Use extreme care when handling gasoline. Gasoline is extremely flammable and the vapors are explosive. Never fuel the machine indoors or while the engine is hot or running. Extinguish cigarettes, cigars, pipes and other sources of ignition.

Starting The Engine

- Attach spark plug wire to spark plug. Make certain the metal loop on the end of the spark plug wire (inside the boot) is fastened securely over the metal tip on the spark plug.
- Make certain both the auger control and drive control are in the disengaged (released) position.
- Move throttle control up to FAST position. Insert ignition key into slot. Make sure it snaps into place.

Do not attempt to turn the key.

NOTE: *The engine cannot start unless the key is inserted into ignition switch.*

Electric Starter (on models so equipped)

- Determine that your home's wiring is a three-wire grounded system. Ask a licensed electrician if you are not certain.



CAUTION: **If your home's wiring system is not a three-wire grounded system, do not use this electric starter under any conditions.**



WARNING: The optional electric starter is equipped with a grounded three-wire power cord and plug, and is designed to operate on 120 volt AC household current. It must be used with a properly grounded three-prong receptacle at all times to avoid the possibility of electric shock. Follow all instructions carefully prior to operating the electric starter.



WARNING: **If your home electrical system is grounded, but a three-hole receptacle is not available, do not use your snow thrower's electric starter.**

If you have a grounded three-prong receptacle, proceed as follows:

- Plug the extension cord into the outlet located on the engine's surface. Plug the other end of extension cord into a three-prong 120-volt, grounded, AC outlet in a well-ventilated area.
- Rotate choke control to FULL choke position (cold engine start).

NOTE: *If the engine is already warm, place choke control in the OFF position instead of FULL.*

- Push the primer two or three times for cold engine start, making sure to cover vent hole in the center of the primer when pushing.

NOTE: *DO NOT use primer to restart a warm engine after a short shutdown.*

- Push starter button to start engine.
- Once the engine starts, immediately release starter button.
- As the engine warms, slowly rotate the choke control to the OFF position. If the engine falters, quickly rotate the choke control back to FULL and then slowly into the OFF position again.
- When disconnecting the extension cord, always unplug the end at the three-prong wall outlet before unplugging the opposite end from the snow thrower.

Recoil Starter

- Rotate choke control to FULL choke position (cold engine start).

NOTE: If the engine is already warm, place choke control in the OFF position instead of FULL.

- Push the primer two or three times for cold engine start, making sure to cover vent hole in the center of the primer when pushing.

NOTE: DO NOT use primer to restart a warm engine after a short shutdown.

NOTE: Additional priming may be necessary if the temperature is below 15° F (9° C).

- Grasp the recoil starter handle and slowly pull the rope out. At the point where it becomes slightly harder to pull the rope, slowly allow the rope to recoil.
- Pull the starter handle with a firm, rapid stroke.

IMPORTANT: Do not release the handle and allow it to snap back. Keep a firm hold on the starter handle and allow it to slowly recoil.

- As the engine warms, slowly rotate the choke control to the OFF position. If the engine falters, quickly rotate the choke control back to the FULL position and then slowly into the OFF position again.

Stopping The Engine

- Run engine for a few minutes before stopping to help dry off any moisture on the engine.
- To help prevent possible starter freeze-up, proceed as follows:

Electric Starter (on models so equipped)

1. Connect extension cord to the electric starter outlet on the engine, then to 120 volt AC outlet.
2. With the engine running, push the starter button and allow the starter for spin for several seconds. The noise made by the starter is normal. The engine's starter is not being harmed.
3. When disconnecting the extension cord, always unplug the end at the three-prong wall outlet before unplugging the opposite end from the snow thrower.
4. Move throttle control to STOP position.
5. Remove the ignition key.
6. Wipe all snow and moisture from the carburetor cover in the area of the drive control and auger control. Also, engage and release the controls several times.

NOTE: Keep the key in a safe place. The engine cannot start without the ignition key.

Recoil Starter

1. With engine running, pull starter rope with a rapid, continuous full arm stroke three or four times.

Pulling the starter rope will produce a loud clattering sound, which is not harmful to engine.

2. Move throttle control to STOP position.
3. Remove the ignition key.

NOTE: Keep the key in a safe place. The engine cannot start without the ignition key.

4. Wipe all snow and moisture from the carburetor cover in the area of the drive control and auger control. Also, engage and release the controls several times.

To Engage Drive

- With the throttle control in the Fast (rabbit) position, move shift lever into one of the six forward (F) positions or two reverse (R) positions. Select a speed appropriate for the snow conditions and a pace you're comfortable with.

IMPORTANT: Use the slower speeds until you are comfortable and familiar with the operation of the snow thrower.

- Squeeze the auger control against the handle and the augers will turn. Release it and the augers will stop.
- Squeeze the drive control against the handle the snow thrower will move. Release it and drive motion will stop.



IMPORTANT: NEVER reposition the shift lever (change speeds or direction of travel) without first releasing the drive control and bringing the snow thrower to a complete stop. Doing so will result in premature wear to the snow thrower's drive system.

To Engage Augers

1. To engage augers and start snow throwing, squeeze the left hand auger clutch grip against the left handle. Release to stop augers.

For models with optional interlock mechanism only:

2. While the auger control is engaged, squeeze the drive control to move, release to stop. Do **not** shift speeds while the drive is engaged.

NOTE: This same lever also locks auger control so you can turn the chute crank without interrupting the snow throwing process.

3. Release the auger control; the interlock mechanism should keep the auger control engaged until the drive control is released.
4. Release the drive control to stop both the augers and the wheel drive. To stop the auger, both levers must be released.

Auger Control Test

IMPORTANT: Perform the following test before operating your snow thrower for the first time and at the start of each winter season.

Check the adjustment of the auger control as follows:

- When the auger control is released and in the disengaged “up” position, the cable should have very little slack. It should NOT be tight.
- In a well-ventilated area, start the snow thrower engine as instructed earlier in this section under the heading **Starting the Engine**. Make sure the throttle is set in the FAST position.
- While standing in the operator’s position (behind the snow thrower), engage the auger.
- Allow the auger to remain engaged for approximately ten (10) seconds before releasing the auger control. Repeat this several times.
- With the throttle control in the FAST (rabbit) position and the auger control in the disengaged “up” position, walk to the front of the machine.
- Confirm that the auger has completely stopped rotating and shows NO signs of motion.

IMPORTANT: If the auger shows ANY signs of rotating, immediately return to the operator’s position and shut off the engine. Wait for ALL moving parts to stop before re-adjusting the auger control.

- To readjust the control cable, loosen the hex jam nut on the auger control cable “Z” fitting.
- Rotate the coupling end of the cable (**without turning the cable**) counterclockwise to provide more slack.
- Retighten the hex jam nut. See Figure 11.
- Repeat Auger Control Test to verify proper adjustment has been achieved.

To Throw Snow

CAUTION: Check the area to be cleared for foreign objects. Remove, if any.

1. Start the engine following starting instructions.
2. Rotate the discharge chute to the desired position, (away from bystanders and/or buildings) by moving the chute control.
3. Select the speed according to snow condition.

CAUTION: Never move the shift lever without first releasing the drive clutch.

4. Engage the auger control and drive control levers as previously stated.

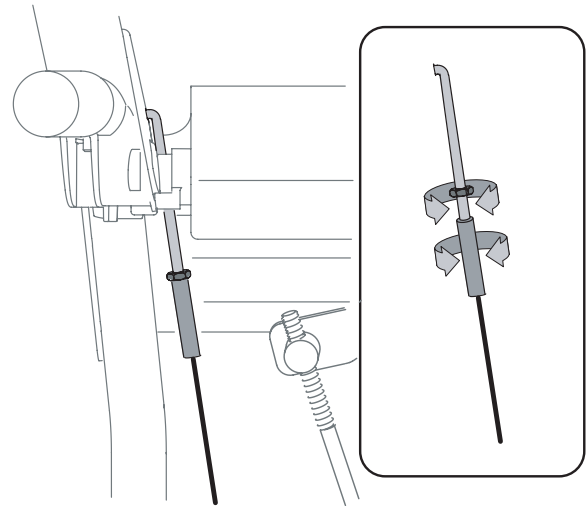


Figure 11

5. The interlock feature will allow you to remove your left hand from the auger control lever.
6. When clearing the first pass through the snow, control speed of snow thrower according to the depth and condition of snow.
7. On each succeeding pass, readjust the chute to the desired position and slightly overlap previous path.
8. After the area is cleared, stop the snow thrower following instructions given below.

Operating Tips

NOTE: Allow the engine to warm up for a few minutes as the engine will not develop full power until it reaches operating temperature.



WARNING: The temperature of muffler and surrounding areas may exceed 150° F. Avoid these areas.

- For most efficient snow removal, remove snow immediately after it falls.
- Discharge snow downwind whenever possible. Slightly overlap each previous swath.
- Set the skid shoes 1/4" below the scraper bar for normal usage. The skid shoes may be adjusted upward for hard-packed snow.

NOTE: It is not recommended that you operate this snow thrower on gravel as loose gravel can be easily picked up and thrown by the auger causing an injury or damage to the snow thrower.

- If for some reason, you have to operate the snow thrower on gravel, keep the skid shoe in the highest position for maximum clearance between ground and shave plate.
- Clean the snow thrower thoroughly after each use.

Chute Clean-Out Tool

The chute clean-out tool is conveniently fastened to the rear of the auger housing with a mounting clip. Should snow and ice become lodged in the chute assembly during operation, proceed as follows to safely clean the chute assembly and chute opening:

- Release both the Auger Control and the Drive Control.
- Stop the engine by removing the ignition key.
- Remove the clean-out tool from the clip which secures it to the rear of the auger housing.
- Use the shovel-shaped end of the clean-out tool to dislodge and scoop any snow and ice which has formed in and near the chute assembly.



WARNING: Never use your hands to clean snow and ice from the chute assembly or auger housing

- Refasten the clean-out tool to the mounting clip on the rear of the auger housing, reinsert the ignition key and start the snow thrower's engine.
- While standing in the operator's position (behind the snow thrower), engage the auger control for a few seconds to clear any remaining snow and ice from the chute assembly.

Drift Cutters (on models so equipped)

Drift cutters should be used when operating the snow thrower in heavy drift conditions.

On models so equipped, drift cutters are assembled to the auger housing inverted. Remove the carriage bolts by unthreading the hex nuts which secure them, and reinstall the drift cutters in their proper position before operating the snow thrower. See Figure 12 .

If your unit is not equipped with drift cutters, contact Customer Support as instructed on page 2 for information regarding price and availability.

Snow Thrower Model	Drift Cutter Kit
All models	OEM-390-679

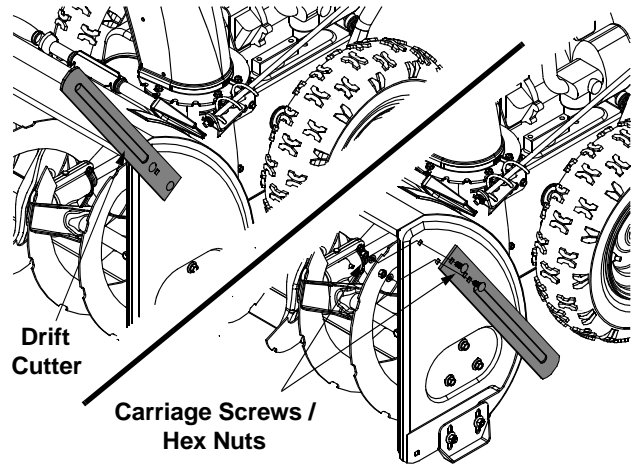


Figure 12

Tire Chains (on models so equipped)

Tire chains should be used whenever extra traction is needed. If your unit is not equipped with tire chains, contact Customer Support for information regarding price and availability.

Operating Tips

NOTE: Allow the engine to warm up for a few minutes. The engine will not develop full power until it reaches operating temperature.



WARNING: The temperature of the muffler and the surrounding areas may exceed 150°F (65° C). Avoid these areas.

- If possible, remove snow immediately after it falls.
- Discharge snow downwind whenever possible.
- Slightly overlap each previous path.
- Set the skid shoes 1/4" below the shave plate for normal usage. Adjust it upward for hard-packed snow and downward when using on gravel or crushed rock.
- Avoid possible starter freeze-up. Clean the snow thrower thoroughly after each use.

SECTION 5: MAKING ADJUSTMENTS



WARNING: Never attempt to make any adjustments while the engine is running, except where specified in operator's manual.

Shift Rod Adjustment

If the full range of speeds (forward and reverse) cannot be achieved, refer to the figures to the right and adjust the shift rod as follows:

- 1 Place the shift lever in the fastest forward speed position. Remove the hairpin clip which secures the ferrule to the shift lever.

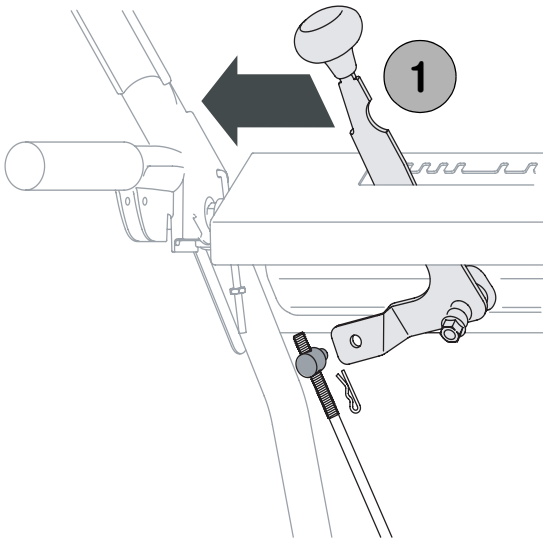


Figure 13

- 2 Rotate the shift arm clockwise as far as it will go.

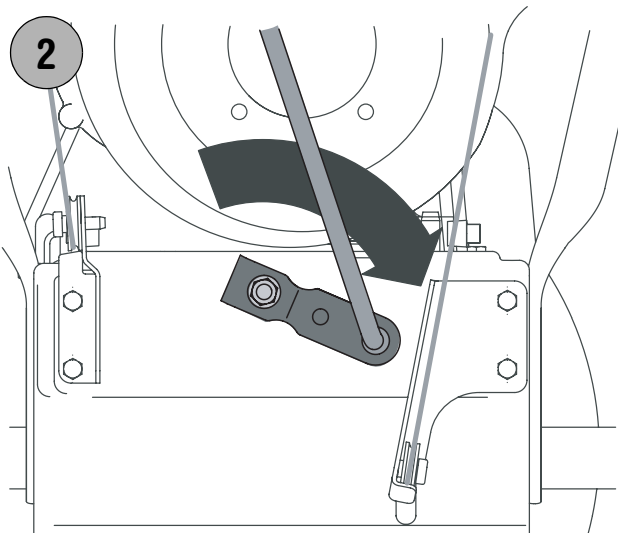


Figure 14

- 3 Thread the ferrule up or down the shift rod until it aligns with the hole in the shift lever behind the handle panel. Resecure the ferrule with the hairpin clip removed earlier.

Chute Assembly

The distance snow is thrown can be adjusted by changing the angle of the chute assembly. To do so, stop the engine by removing the ignition key and loosen the plastic wing knob found on the left side of the chute assembly. Pivot the chute upward or downward before re-tightening the wing knob. See Figure 16 .

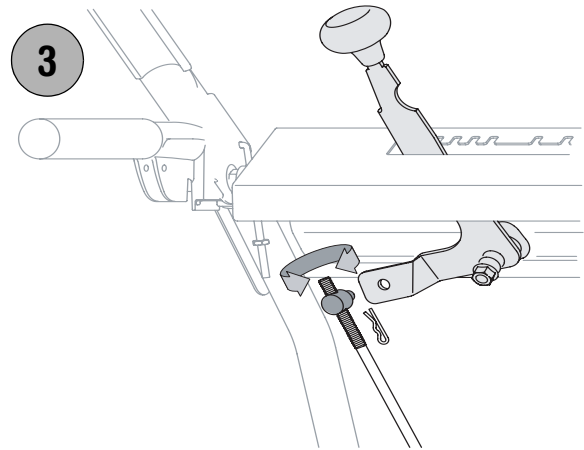


Figure 15

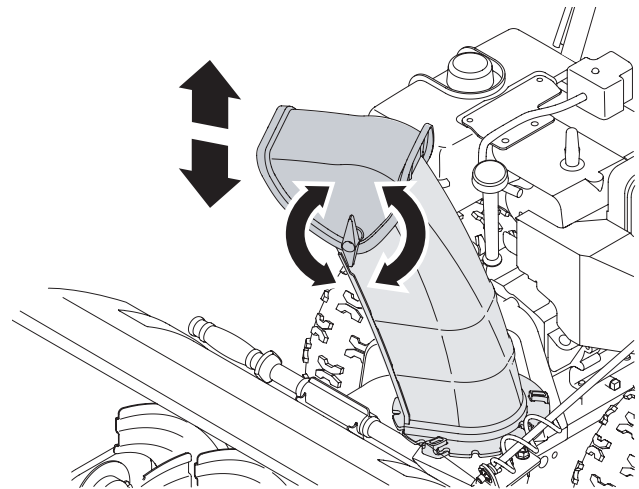


Figure 16

Chute Bracket Adjustment

If the spiral at the bottom of the chute directional control is not fully engaging with the chute assembly, the chute bracket can be adjusted. To do so, loosen the two nuts which secure the chute bracket and reposition it slightly before retightening the nuts. See Figure 17 .

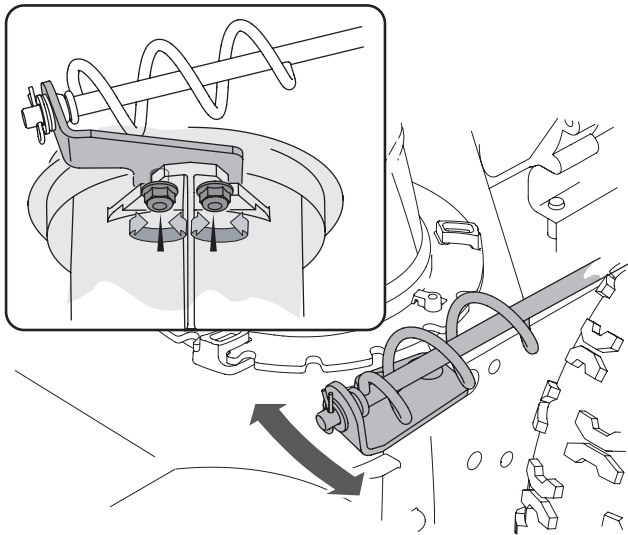


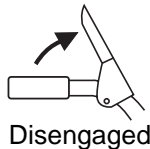
Figure 17

Drive Control

When the drive control is released and in the disengaged “up” position, the cable should have very little slack. It should NOT be tight.

Check the adjustment of the drive control as follows:

1. With the drive control disengaged, push the snow thrower gently forward. The unit should roll freely.
2. Engage the drive control and gently attempt to push the snow thrower forward. The wheels should not turn. The unit should **not** roll freely.
3. With the drive control disengaged, move the shift lever back and forth between the R2 position and the F6 position several times. There should be **no** resistance in the shift lever.



If any of the above tests failed, the drive cable is in need of adjustment. refer to Figure 18 and proceed as follows:

- Loosen the hex jam nut on the auger control cable “Z” fitting and rotate the coupling end (**without turning the cable**) of the cable downward to provide more slack or upward to take up slack. See Figure 18 .

Auger Control

Refer to **Auger Control Test** on Page 12 to adjust the auger control.

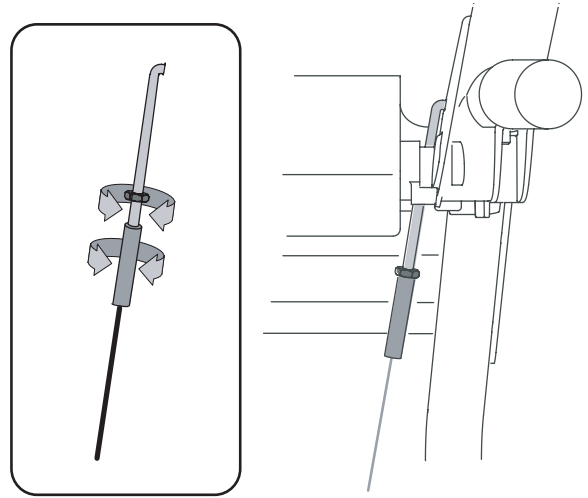


Figure 18

Skid Shoes

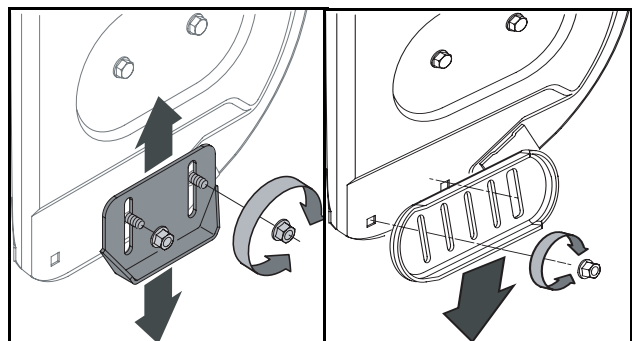
NOTE: The space between the skid shoes and the ground can be adjusted. See Figure 19. For close snow removal, place skid shoe in the low position. Use middle or high position when area to be cleared is uneven.

NOTE: Some models are equipped with reversible skid shoes and may be turned over to increase their lifespan. See Figure 19.



CAUTION: Loose gravel can be picked up and thrown by the auger, causing injury to the operator and bystanders and/or damage to the snow thrower and surrounding property.

- Adjust skid shoes by loosening the four hex nuts (two on each side) and carriage bolts. Move skid shoes to desired position.
- Make certain the entire bottom surface of skid shoe is against the ground to avoid uneven wear on the skid shoes. Retighten nuts and bolts securely.
- Retighten the hex jam nut and repeat all three tests to verify proper adjustment has been achieved.



Standard

Reversible

Figure 19- Skid Shoes

SECTION 6: MAINTAINING AND SERVICING YOUR SNOW THROWER



WARNING: Before lubricating, repairing, or inspecting, disengage all controls and stop engine. Wait until all moving parts have come to a complete stop.

Engine

Refer to the separate engine manual packed with your unit for all engine maintenance.

Lubrication

Engine

Refer to the separate engine manual packed with your unit.

Gear Shaft

The gear (hex) shaft should be lubricated at least once a season or after every 25 hours of operation.

- Remove the lower frame cover by removing the two screws which secure it.
- Apply a light coating of an all-weather multi-purpose grease to the hex shaft. See Figure 20.

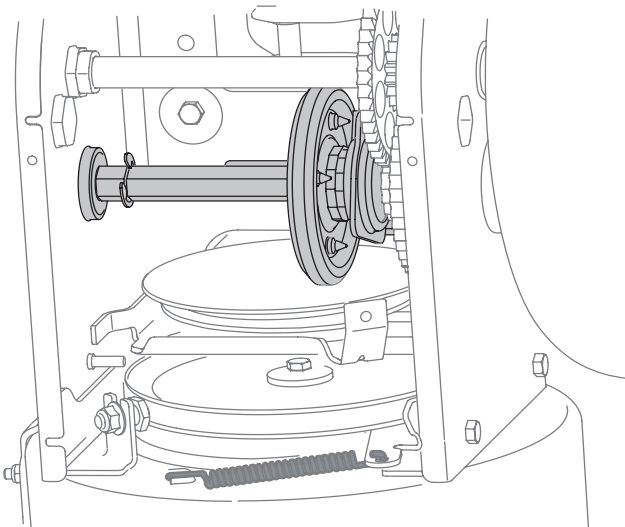


Figure 20

IMPORTANT: Keep lubricant off the friction wheel and drive plate.

Wheels

Oil or spray lubricant into bearings at wheels at least once a season. Remove wheels, clean and coat axles with a multi-purpose automotive grease.

Chute Directional Control

- Once a season, the spiral end on the chute directional control should be greased with multipurpose automotive grease.

Auger Shaft

- At least once a season, remove the shear pins on auger shaft. Spray lubricant inside shaft, around

the spacers. Also lubricate the flange bearings found at either end of the shaft. See Figure 21.

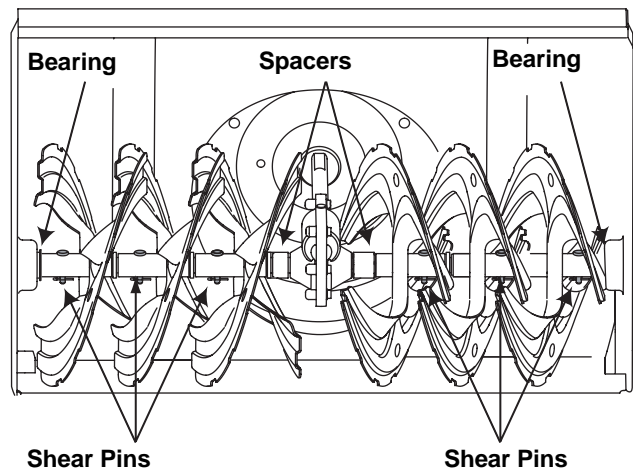


Figure 21- 30" Auger Shown

Augers

The augers are secured to the spiral shaft with shear pins and cotter pins. See Figure 21. If you hit a foreign object or ice jam, the snowthrower is designed so that the shear pins will shear.

If the augers will not turn, check to see if the shear pins have sheared. Replacements have been provided with the snowthrower. When replacing pins, spray an oil lubricant into shaft before reassembling.

IMPORTANT: NEVER replace the auger shear pins with anything other than OEM Part No.738-04124 replacement shear pins. Any damage to the auger gearbox or other components as a result of failing to do so will NOT be covered by your snow thrower's warranty.

Gear Case

The auger gear case has been filled with grease at the factory. If disassembled for any reason, lubricate with two ounces of grease (Part Number 737-0168).

IMPORTANT: Do not overfill the gear case. Damage to the seals could result. Be sure the vent plug is free of grease in order to relieve pressure.



WARNING: Before servicing, repairing, or inspecting, disengage all controls and stop engine. Wait until all moving parts have come to a complete stop.

Shave Plate and Skid Shoes

- The shave plate and skid shoes on the bottom of the snow thrower are subject to wear. They should be checked periodically and replaced when necessary.

- To remove skid shoes, remove the four carriage bolts and hex flange nuts which secure them to the snow thrower. Reassemble new skid shoes with the four carriage bolts (two on each side) and hex flange nuts. Refer to Figures 19 and 21.
- To remove shave plate, remove the carriage bolts, cupped washers and hex nuts which attach it to the snow thrower housing. Reassemble new shave plate, making sure heads of carriage bolts are to the inside of housing. Tighten securely.

Replacing Belts

Check the condition of both auger belt and drive belt every 25 hours of snow thrower operation. Replace if either shows signs of wear and tear.

Auger Belt

- Remove belt cover by removing the two self-tapping screws that secure it to the snow thrower housing. See Figure 22.
- Drain the gasoline from the snow thrower, or place a piece of plastic under the gas cap.

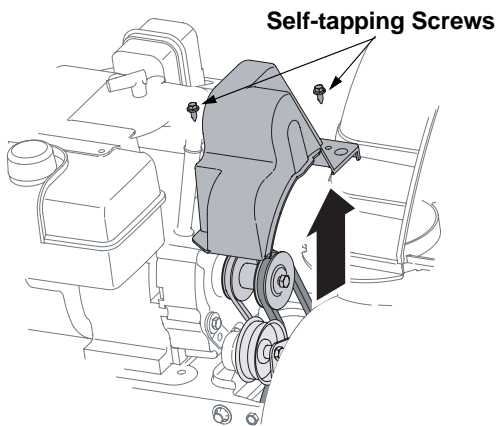


Figure 22

- Take auger belt off the pulley as shown in Figure 23

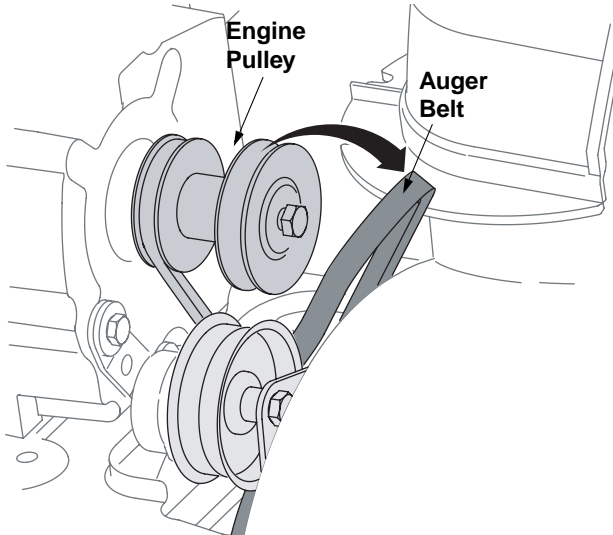


Figure 23

- Tip the snow thrower up and forward, so that it rests on the housing. Remove two self-tapping screws from the frame cover underneath the snow thrower and move the frame cover away. See Figure 24.

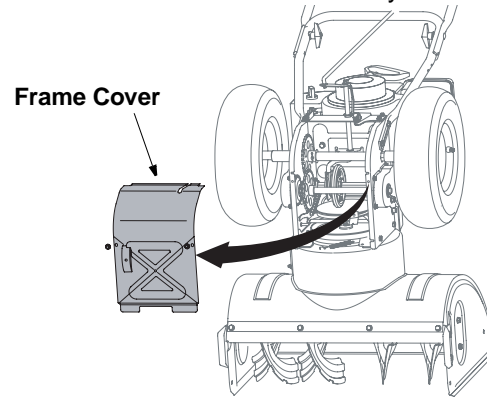


Figure 24

- Half turn shoulder screw and slide it out of the mounting bracket. See Figure 25.
- Unhook spring to release tension on the auger belt. Remove old belt and replace with new belt installing it on the groove. See Figure 25.
- Wrap auger belt around the auger pulley. See Figure 25.
- Re-insert shoulder screw into the mounting bracket and tighten to secure.
- Wrap auger belt behind the idler. Reattach the spring to the bolt where it was earlier secured.
- Re-install frame cover and flip the snow thrower back to the operating position.
- Wrap auger belt around the engine pulley.
- Re-install belt cover with self-tapping screws removed before.

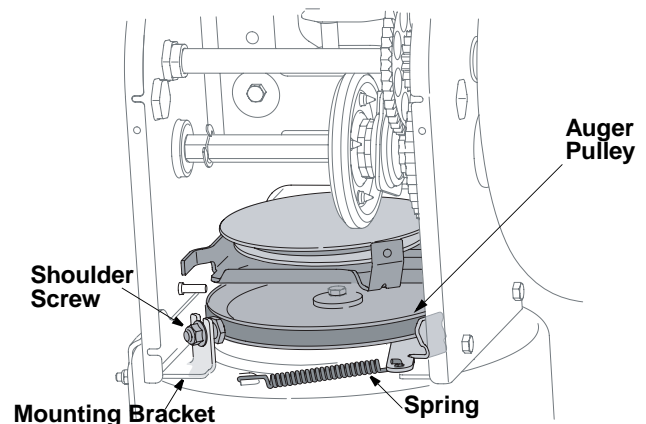


Figure 25

Drive Belt

- Remove belt cover by removing the two self-tapping screws that secure it to the snow thrower frame. See Figure 22.
- Drain the gasoline from the snow thrower, or place a piece of plastic under the gas cap.
- Take auger belt off the pulley as shown in Figure 23

- Push idler away from the chute and insert a Philips head screwdriver in the hole on the idler as shown in Figure 26. This will release tension on drive belt.

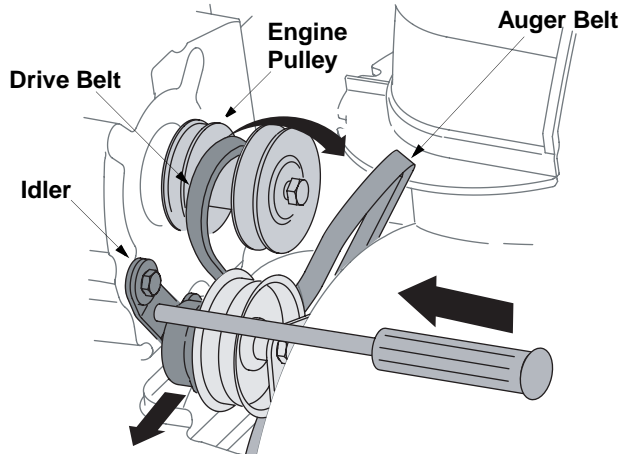


Figure 26

- Pull drive belt out and away from the engine pulley to remove. See Figure 26.
- Tip the snow thrower up and forward, so that it rests on the housing. Remove two self-tapping screws from frame cover underneath the snow thrower and move the frame cover away. Refer to Figure 24.
- Back out the stop bolt to create sufficient gap between the friction wheel disc and the drive pulley. Pull the drive belt from around the drive pulley and clear it off the friction wheel disc. See Figure 27.

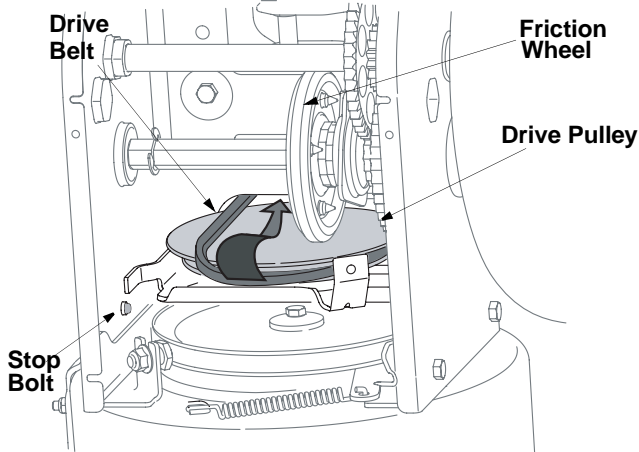


Figure 27

- Now moving to the other side of the snow thrower, slide the belt off the crankshaft.
- Replace with new belt, first sliding it through the crank shaft, then working it around the groove of the drive pulley and finally wrapping it around the engine pulley from where the old belt was removed. Once the belt is firmly placed on the pulleys, make sure to remove the screwdriver from the idler.

- Re-install auger belt on the engine pulley.
- Re-attach frame cover and put the equipment back to operating position. Re-attach belt cover with two self-tapping screws removed earlier.

Friction Wheel Rubber

- Check the rubber on the friction wheel after 25 hours of operation, and periodically thereafter. Replace the rubber if any signs of wear or cracking are found.
- Drain the gasoline from the snow thrower, or place a piece of plastic under the gas cap.
- Move shift lever to the R2 position.
- Tip the snow thrower so that it rests on the housing.
- Remove two self-tapping screws from frame cover underneath the snow thrower and move the frame cover away. See Figure 24.
- Remove the right-hand wheel by removing the screw and bell washer which secure it to the axle.
- Locate the hex shaft and snap ring on the right side of the snow thrower frame, about two inches from the wheel axle.
- Using a suitable tool, carefully remove the outer E-ring which secures the hex shaft to the snow thrower frame and lightly tap the shaft's end to dislodge the ball bearing from the right side of the frame.
- Slide the hex shaft downward and to the left while carefully un-meshing the lower gears on the hex shaft from the upper gears on the wheel axle. See Figure 28.
- Set the hex shaft's gears aside.
- Carefully remove the inner E-ring from the hex shaft and slide the friction wheel assembly off the hex shaft.

NOTE: *If you're replacing the friction wheel assembly as a whole, discard the worn part and slide the new part onto the hex shaft. Follow the steps above in reverse order to reassemble components. If you're disassembling the friction wheel and replacing only the rubber ring, proceed as follows:*

- Remove the four screws from the friction wheel assembly and remove the bonded friction wheel.
- Reassemble new bonded friction wheel rubber to the friction wheel assembly, turn each screw approximately 2 turns in order shown in Figure 29 until screws are tight. It is important for the rubber to be assembled symmetrically.
- Slide the friction wheel assembly back onto the hex shaft and follow the steps above in reverse order to reassemble components.

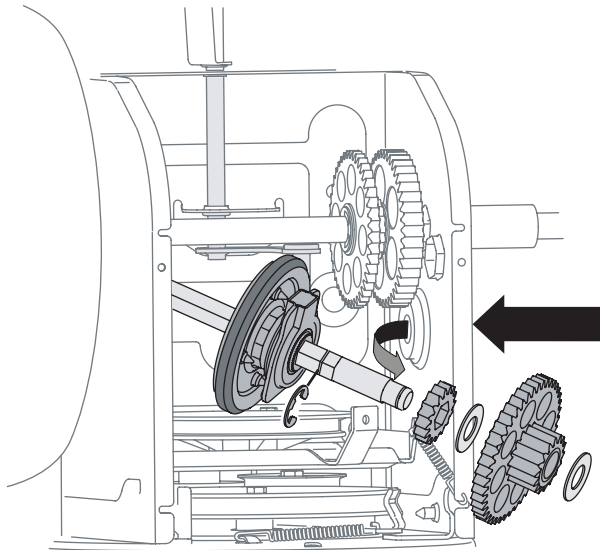


Figure 28

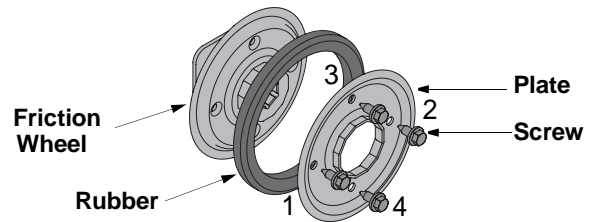


Figure 29

SECTION 7: OFF-SEASON STORAGE

If unit is to be stored over 30 days, prepare for storage as instructed in the separate engine manual packed with your unit.



WARNING: Never store snow thrower with fuel in tank indoors or in poorly ventilated areas, where fuel fumes may reach an open flame, spark or pilot light as on a furnace, water heater, clothes dryer or gas appliance.

- Clean snow thrower thoroughly.

- Lubricate as instructed in the **Maintaining Your Snow Thrower** section of this manual.
- Store the snow thrower in a clean, dry area.
- Refer to the engine manual for correct engine storage instructions.

NOTE: When storing any type of power equipment in a poorly ventilated or metal storage shed, care should be taken to rustproof the equipment, especially springs, cables and all moving parts.

SECTION 8: TROUBLE SHOOTING

Problem	Cause	Remedy
Engine fails to start.	<ol style="list-style-type: none"> 1. Fuel tank empty, or stale fuel. 2. Blocked fuel line. 3. Choke not in ON position 4. Faulty spark plug. 5. Safety key not in ignition switch on engine. 6. Spark plug wire disconnected. 7. Primer button not being used properly. 	<ol style="list-style-type: none"> 1. Fill tank with fresh gasoline. 2. Clean the fuel line. 3. Move switch to ON position 4. Clean, adjust gap or replace. 5. Insert the key fully into the switch. 6. Connect spark plug wire. 7. Contact service center.
Engine runs erratic.	<ol style="list-style-type: none"> 1. Unit running on CHOKE. 2. Blocked fuel line or stale fuel. 3. Water or dirt in fuel system. 4. Carburetor out of adjustment. 	<ol style="list-style-type: none"> 1. Move choke lever to OFF position. 2. Clean fuel line and fill tank with clean, fresh gasoline. 3. Drain fuel tank and carburetor. Refill with fresh fuel. 4. Contact service center.
Loss of power.	<ol style="list-style-type: none"> 1. Spark plug wire loose. 2. Gas cap vent hole plugged. 3. Exhaust port plugged. 	<ol style="list-style-type: none"> 1. Connect and tighten spark plug wire. 2. Remove ice and snow from gas cap. Be certain vent hole is clear. 3. Contact service center.
Engine overheats.	<ol style="list-style-type: none"> 1. Carburetor not adjusted properly. 	<ol style="list-style-type: none"> 1. Contact service center.
Excessive vibration.	<ol style="list-style-type: none"> 1. Loose parts or damaged auger. 	<ol style="list-style-type: none"> 1. Stop engine immediately and disconnect spark plug wire. Tighten all bolts and nuts. If vibration continues, have unit serviced by an authorized service center.
Unit fails to propel itself.	<ol style="list-style-type: none"> 1. Drive control cable in need of adjustment. 2. Drive belt loose or damaged. 	<ol style="list-style-type: none"> 1. Adjust drivecontrol cable. Refer to Adjustments. 2. Replace drive belt.
Unit fails to discharge snow.	<ol style="list-style-type: none"> 1. Discharge chute clogged. 2. Foreign object lodged in auger. 3. Auger control cable in need of adjustment. 4. Auger belt loose or damaged. 5. Shear bolt(s) sheared. 	<ol style="list-style-type: none"> 1. Stop engine immediately and disconnect spark plug wire. Clean discharge chute and inside of auger housing. 2. Stop engine immediately and disconnect spark plug wire. Remove object from auger. 3. Refer to Final Adjustments on page 7. 4. Refer to page 16. 5. Replace with new shear bolt(s).

NOTE: For repairs beyond the minor adjustments above, contact your local authorized service dealer.

SECTION 9: YARDWORKS 4 YEAR LIMITED WARRANTY

For FOUR YEARS from the date of retail purchase within Canada, YARDWORKS CANADA will, at its option, repair or replace, for the original purchaser, free or charge, any part or parts found to be defective in material or workmanship.

This warranty does not cover:

1. Any part which has become inoperative due to misuse, commercial use, abuse, neglect, accident, improper maintenance or alteration; or
2. The unit if it has not been operated and/or maintained in accordance with the owner's instructions furnished with the unit; or
3. The engine or motor or component parts thereof which carry separate warranties from their manufacturers. Please refer to the applicable manufacturer's warranty on these items; and read engine warranty statement below, or
4. Batteries and normal wear parts except as noted below. Log splitter pumps, valves and cylinders or component parts thereof are covered by a one year warranty; or
5. Routine maintenance items such as lubricants, filters, blade sharpening and tune-ups, or adjustments such as brake, clutch or deck; or
6. Normal deterioration of the exterior finish due to use or exposure.

Full One Hundred Eighty Days Warranty on Battery: For one hundred eighty (180) days from the date of retail purchase, if any battery included with this unit proves defective in material or workmanship and our testing determines the battery will not hold a charge, YARDWORKS CANADA will replace the battery at no charge to the original purchaser.

Additional Limited Sixty Days Warranty on Battery: After one hundred eighty (180) days but within two hundred forty (240) days from the date of purchase, YARDWORKS CANADA will replace the defective battery, for the original purchaser, for a cost of one-half (1/2) of the current retail price of the battery in effect at the date of return.

Full One Hundred Twenty Days Warranty on Normal Wear Parts: Normal wear parts are defined as belts, blade adaptors, blades, grass bags, seats, tires, rider deck wheels and clutch parts (friction wheels). These parts are warranted to the original purchaser to be free from defects in material and workmanship for a period of one hundred twenty (120) days from the date of retail purchase.

How to Obtain Service: Warranty service is available, with proof of purchase, through your local authorized service dealer or distributor. If you do not know the dealer or distributor in your area, please call, toll free 1-866-523-5218. The return of a complete unit will not be accepted by the factory unless prior written permission has been extended by YARDWORKS CANADA.

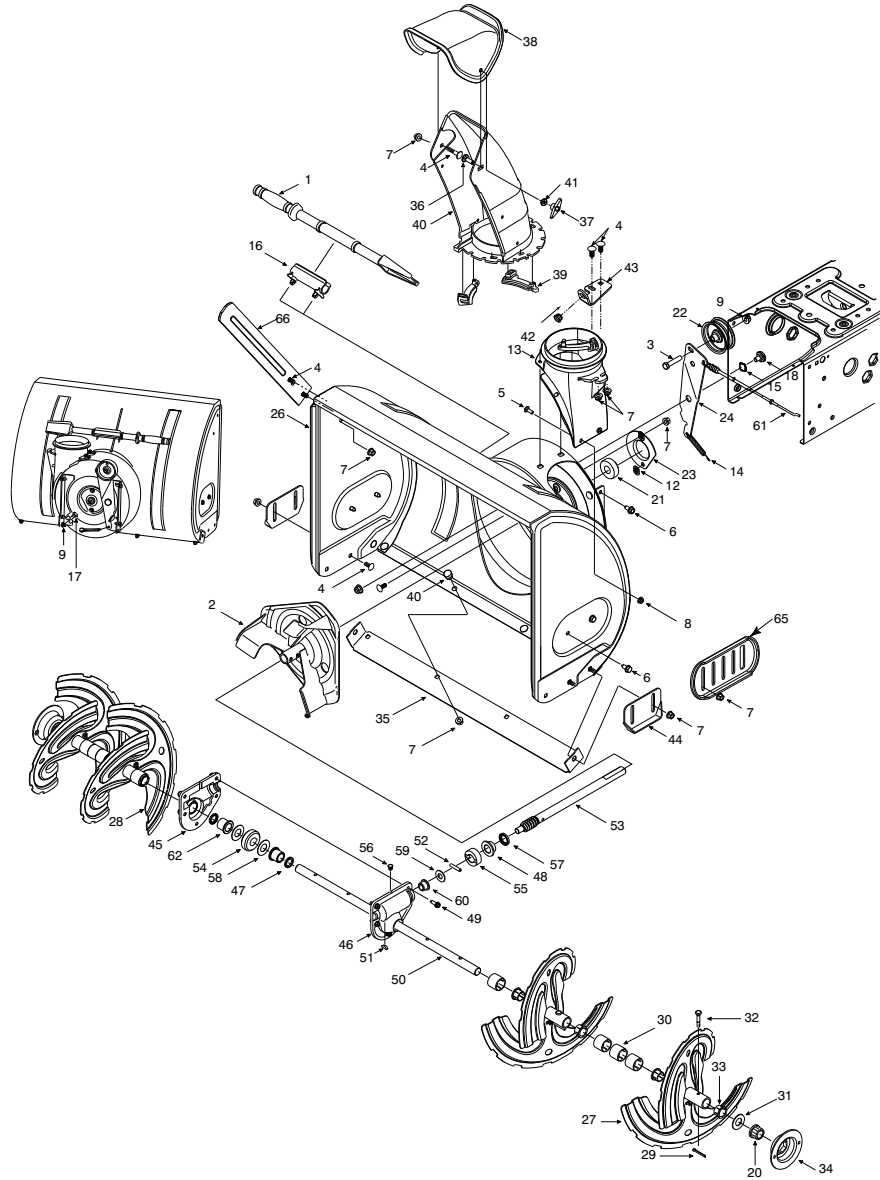
Transportation Charges: Transportation charges for the movement of any power equipment unit or attachment are the responsibility of the purchaser. Transportation charges for any part submitted for replacement under this warranty must be paid by the purchaser unless such return is requested in writing by YARDWORKS CANADA.

Other Warranties: All other warranties, express or implied, including any implied warranty of merchantability is limited in its duration to that set forth in this express limited warranty. The provisions as set forth in this warranty provide the sole and exclusive remedy of YARDWORKS CANADA obligations arising from the sale of its products.

YARDWORKS CANADA will not be liable for incidental or consequential loss or damage.

YARDWORKS 4 YEAR LIMITED WARRANTY ENGINES

This limited warranty doubles the time periods of the engine manufacturer's limited warranty which is enclosed in the owner's information package.

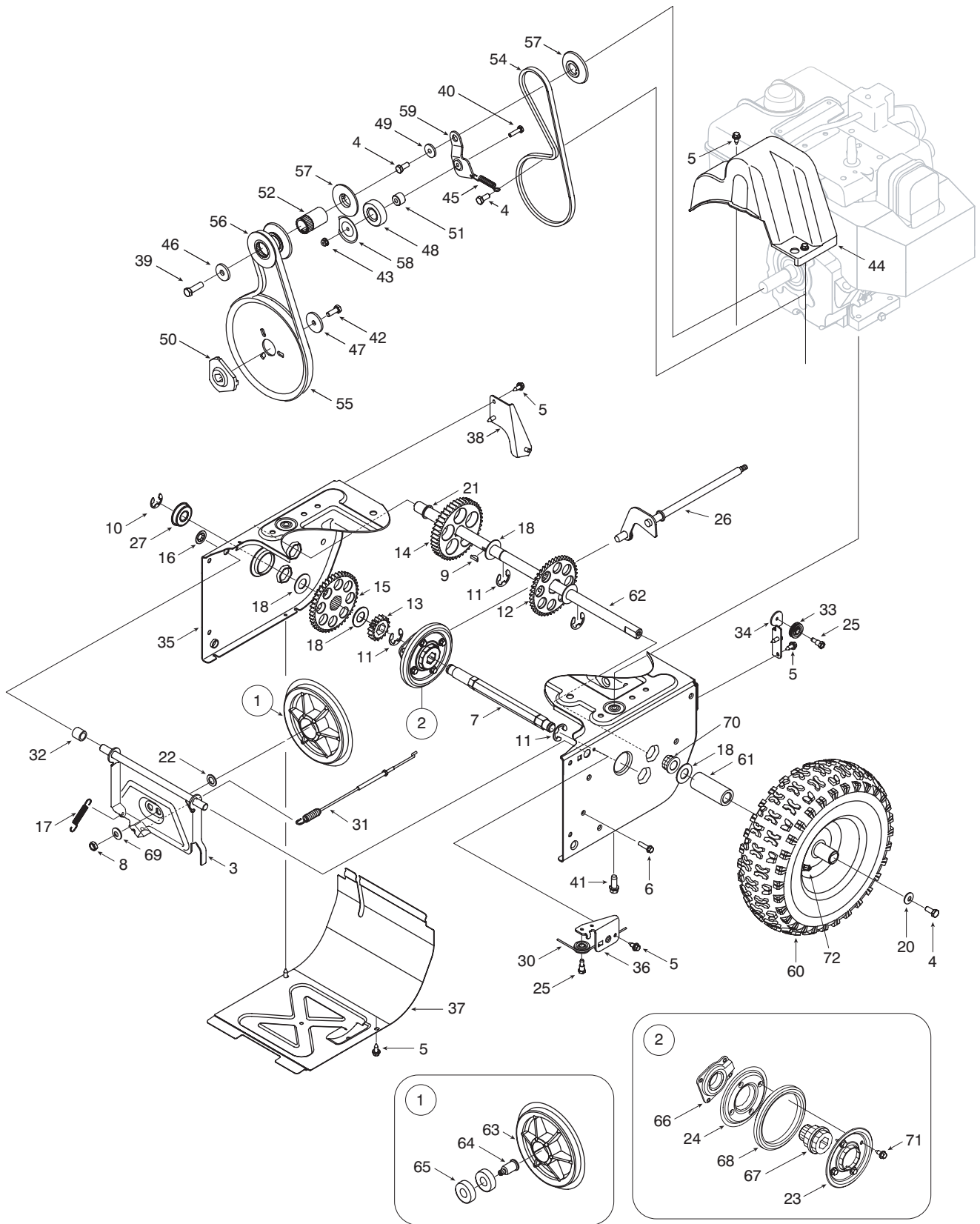


AUGER HOUSING COMPONENTS/COMPOSANTS DU LOGEMENT DES TARIÈRES					
SIZE TAILLE	AUGER HOUSING/ LOGEMENT DES TARIÈRES	AUGER AXLE/ ESSIEU DES TARIÈRES	SHAVE PLATE LAME PLATE	GEARBOX ASS'Y/ ENSEMBLE DE LA VIS SANS FIN	SPACERS/ ENTRETOISE
22	684-04067 ★	711-04286	790-00117	618-04170	N/A
24	684-04069 ★	711-04285	790-00120	618-04171	731-04870 (1)
26	684-04071 ★	711-04284	790-00121	618-04172	731-04870 (2)
26	684-04072 ◆	711-04284	790-00121	618-04172	731-04870 (2)
28	684-04073 ★	711-04283	790-00118	618-04173	731-04870 (3)
28	684-04074 ◆	711-04283	790-00118	618-04173	731-04870 (3)
30	684-04063 ★	711-04282	790-00119	618-04165	731-04871 (3)
30	684-04075 ◆	711-04282	790-00119	618-04165	731-04871 (3)

◆ Plain/Ordianire
★ Serrated/Dentelée

N/A = Not available
N/D = Non disponible

REF NO. N° DE RÉF	PART NO. N° DE PIÈCE	DESCRIPTION	DESCRIPTION
1	731-2643	Clean-Out Tool	Outil de dégagement de la goulotte
2	684-04057	Impeller Ass'y 12 po	Ventilateur
3	710-0347	Hex Screw 3/8-16 X 1.75	Vis à tête hex 3/8-16 x 1,75
4	710-0451	Carriage Bolt 5/16-18 x .75 Gr. 1	Boulon ordinaire 5/16-18 x 0,75 Qual. 1
5	710-0703	Carriage Screw 1/4-20 x .75 Gr. 5	Boulon ordinaire 1/4-20 x 0,75 Qual. 5
6	710-0726	Hex Wash HD AB Tap Scr 5/16 X .75	Vis taraudée 5/16 x 0,75
7	712-04063	Flange Locknut 5/16-18 Gr. F Nylon	Contre-écrou à embase 5/16-18 Qual. F nylon
8	712-04064	Hex L-Flanged Nut 1/4-20 Gr. F Nylon	Contre-écrou a embase 1/4-20 Qual. F nylon
9	712-04065	Hex L-Flanged Nut 3/8-16 Gr. F Nylon	Contre-ecrou a embase 3/8-16 Qual. F nylon
10	714-0149B	Internal Cotter Pin	Goupille fendue interne
12	726-04012	Push-on Nut .25 dia.	Écrou pousser 0,25 diam.
13	731-04705	Chute Adapter	Adaptateur de goulotte d'éjection
14	732-0611	Extension Spring	Ressort d'extension
15	736-0174	Wave Washer .660 ID X .88 OD X .010	Rondelle ondulée 0,660 DI x 0,88 DE x 0,010
16	731-02625	Cleanout Tool Mount	Montage de la outil de dégagement de la goulotte
17	738-0143	Shld. Scr. .500 Dia. X .335" Lg.	Vis à épaulement dia. 0,500 po x 0,335 po de lg.
18	738-0281	Shoulder Scr .625 Dia X .170	Vis à épaulement dia 0,625 x 0,170 po
19	738-04124	Shear Pin .25 x 1.5 Gr. 2	Boulon de cisaillement 0,25 x 1,5 Qual 2.
20	741-0245	Hex. Flange Brg. .751" I.D.	Roulement 0,75 DI
21	741-0309	Self-aligning bearing	Roulement auto-aligneur
22	756-0981A	Flat Idler Pulley 2.75" OD	Poulie tendeur 2,75 DE
23	790-00075	Bearing Housing 1.85 ID	Carter de la roulement 1,85 DI
24	790-00080	Auger Idler Brake Bracket	Support
25		See chart on previous page.	Voir la tableau sur la page precedante.
26		See chart on previous page.	Voir la tableau sur la page precedante.
27	684-04107	Spiral Ass'y LH	Tarière CG
28	684-04108	Spiral Ass'y RH	Tarière CD
29	714-0507	Cotter Pin 3/32 X .75	Goupille fendue 3/32 x 0,75
30		See chart below.	Voir la tableau plus bas.
31	736-0188	Flat Washer .760 ID X 1.49 OD	Rondelle plate 0,760 DI X 1,49 DE
32	738-04124	Shear Pin .25 x 1.5 Gr. 2	Goupille de cisaillement 0,25 x 1,5 po de lg
33	741-0493A	Flange Bushing	Collet à bride
34	790-00087	Bushing Housing	Carter de la collet
35		See chart below.	Voir la tableau plus bas.
36	710-04071	Carriage Bolt 5/16-18 x 1.0	Boulon ordinaire 5/16-18 x 1,0
37	720-0284	Handle Knob Assembly	Bouton
38	731-04354A	Upper Chute	Goulotte supérieur
39	731-04869	Chute Flange Keeper	Garde-bride de la goulotte
40	731-04912	Lower Chute	Goulotte inférieur
41	736-0159	Flat Washer .349 ID x .879 OD x .063	Rondelle plate 0,349 DI x 0,879 DE x 0,063
42	741-0475	Plastic Bushing .380 ID	Manchon en plastique de 0,38 po de D.I.
43	784-5647	Chute Crank Brkt.	Support du bras de goulotte d'ejection
44	784-5580	Slide Shoe	Sobat coulissant
45	719-0319	RH Reduced Auger Housing	Carter de l'engrenage CD
46	719-0320	LH Reduced Auger Housing	Carter de l'engrenage CG
47	721-0179	Oil Seal 3/4 ID	Joint d'étancheite d'huile 3/4 DI
48	741-0662	Flange Bearing .75 ID x 1.00 OD x .50	Roulement 0,75 DI x 1,00 DE x 0,50
49	710-0642	Thd Forming Scr. 1/4-20 X .75	Vis taraudee 1/4-20 x 0,75
50		See chart on previous page.	Voir la tableau a page precedante.
51	714-0161	Hi Pro Key 3/16 x 5/8	Clé 3/16 x 5/8
52	715-04021	Dowel Pin .25 OD x 1.2	Goupille 0,25 x 1,2
53	717-04126	Worm Shaft .75 OD	Arbre 0,75 DE
54	717-0528A	Worm Gear 20T	Arbre 20 dents
55	718-04071	Thrust Collar	Collet
56	721-0325	Plug, 1/4 x .437	Bouchon 1/4 x 0,437
57	721-0327	Oil Seal .75 x 1 x .131	Joint d'huile 0,75 DI x 1 x 0,131
58	736-0351	Flat Washer .76 ID X 1.5 OD X .03	Rondelle plate 0,76 DI x 1,5 DE x 0,03
59	736-3084	Fl. Washer .510 x 1.120 x .060	Rondelle frein 0,510 x 1,120 x 0,060
60	741-0663	Flange Bearing .75 ID x 1.0 OD x .925	Roulement 0,75 DI x 1,0 DE x 0,925
61	746-0897	Auger Clutch Cable (w/"Z" fitting)	Cable de tariere (avec extremite en «Z»)
62	741-0661A	Flange Bearing.75 ID x 1.0 OD x .975	Roulement 0,75 DI x 1,0 DE x 0,975
64	737-3000	Grease Fitting	Raccord de graissage
65	790-00091	Reversible Slide Shoe	Patin réversible
66	05139A	Drift Cutter - Optional	Virole de réglage - en option



REF NO. N° DE RÉF	PART NO. N° DE PIÈCE	DESCRIPTION	DESCRIPTION
1	656-0012A	Friction Wheel Disc Assembly	Disque de roue du friction
2	684-04066	Friction Wheel Ass'y, Bearing 4.9 OD	Roue du friction, roulement 4,9 DE
3	684-04045	Friction Wheel Support Brkt Ass'y	Support de la roue du friction
4	710-0627	Hex L-Bolt 5/16-24 x .75 Gr. 5	Boulon hex 5/16-24 x 0,75 Qual. 5
5	710-1652	Hex Wash Hd TT Scr. 1/4-20 x .625	Vis taraudée 1/4-20 x 0,625
6	710-0788	Hex Bolt 1/4-20 x 1.00	Vis à tête hex 1/4-20 x 1,00
7	711-04246A	Hex Drive Shaft .75	Arbre d'entraînement 0,75
8	712-0711	Hex Nut 3/8-24	Écrou hexagonal 3/8-24
9	714-0161	Woodruff Key 3/16 x 5/8 HT	Clavette Woodruff 3/16 x 5/8
10	716-0231	"E" Ring	Bague en «E»
11	716-0136	E-Ring .875 dia.	Bague en E 0,875 diam.
12	617-04025	Complete Gear, 16/44T	Engrenage 16/44
13	717-04129A	Pinion, 16T	Pignon, 16 dents
14	717-04137A	Gear, 44T	Engrenage 44 dents
15	617-04026	Complete Gear, 16/44T	Engrenage 16/44
16	726-0221	Cap Speed Nut 1/4 Rod	Chapeau à enfoncer
17	732-0264	Extension Spring 3/8 OD x 2.5	Ressort d'extension 3/8 DE x 2,5
18	736-0287	Flat Washer .79 ID x 1.25 OD x .06	Rondelle frein 0,79 DI x 1,25 DE x 0,06
19	736-04157	Wave Washer 1.56 x 1.875 x .018	Rondelle ondulée 1,56 x 1,875 x 0,018
20	736-0242	Bell. Washer .345 ID x .88 OD x .06	Rondelle Bell.0,345 DI x 0,88 DE x 0,060
21	736-04161	Flat Washer .75 x 1.0 x .06	Rondelle plate 0,75 x 1,0 x 0,06
22	736-0300	Flat Washer .385 ID x .87 OD x .06	Rondelle plate 0,385 DI x 0,87 DE x 0,06
23	790-00010	Friction Plate 12 Pt 4.6 Dia.	Plaque du friction 12 x 4,6 diam.
24	790-00011	Friction plate exteriors 12 x 4.6 dia.	Plaque du friction ext. 12 x 4,6 diam.
25	738-0924	Hex Shld.Scr.1/4-28 x .375	Vis à épaulement 1/4-28 x .375
26	684-04139	Shift Rod	Tige de changement de la vitesses
27	741-0563	Ball Bearing w/snap ring	Roulement à billes avec bague
30	746-0897	Auger Clutch Cable (w/"Z" fitting)	Câble de tarière (avec extremite en «Z»)
31	746-04086	Drive Clutch Cable 41.75" Lg.	Câble d'entraînement 41,75 po de lg.
32	748-0190	Spacer .513 ID x 1.0	Entretoise 0,513 DI x 1,0
33	756-0625	Cable Guide Roller	Guide du câble
34	784-5687A	Auger Clutch Cable Guide Bracket	Support
35	790-00072	Frame	Bâti
36	790-00096	Guide Bracket, Auger Cable	Support
37	790-00054	Frame Cover	Couvercle
38	790-00055	Roller Bracket, Drive Cable	Support
39	710-0191	Hex Screw 3/8-24 x 1.25	Vis à tête hexagonale 3/8-24 x 1,25
40	710-0597	Hex Screw 1/4-20 x 1.00	Vis à tête hexagonale 1/4-20 x 1,00
41	710-0654A	Hex Wash HD Tap Scr 3/8-16 x .88	Vis autotaraudée 3/8-16 x 0,88
42	710-1245B	Hex Lock Scr. 5/16-24 x .875	Vis a tete hex. 5/16-24 x 0,875
43	712-04064	Hex L-Flanged Nut 1/4-20 Gr. F Nylon	Contre-écrou à embase 1/4-20 Qual. F nylon
44	731-04792	Belt Cover	Couvercle de la courroie
45	732-0710	Extension Spring .38 OD x 2.68" Lg.	Ressort d'extension 0,38 DE x 2,68 po de lg
46	736-0247	Flat Washer .40 ID x 1.25 OD x .160	Rondelle plate 0,40 DI x 1,25 DE x 0,160
47	736-0505	Flat Washer .34 ID x 1.50 OD x .150	Rondelle plate 0,34 DI x 1,5 DE x 0,150
48	741-0919	Ball Bearing .787 ID x 1.85 OD x .56	Roulement à billes 0,787 DI x 1,85 DE x 0,56
49	748-0234	Shoulder Spacer .25 THK	Entretoise épaulée
50	748-04053	Adapter Pulley, .75 diam.	Poulie 0,75 diam.
51	750-04230	Fig. Spacer .777 OD x .260 ID x .550	Entretoise 0,777 DE x 0,260 DI x 0,550
52	750-04303	Spacer .875 ID x 1.185	Entretoise 0,875 DI x 1,185 DE
53	754-04050	V-Belt, 1/2	Courroie trapezoïdale, 1/2
54	754-0456	V-belt, 3/8	Courroie trapezoïdale, 3/8
55	756-04109	Pulley, Auger, 8.1 x .5	Poulie, tarière, 8,1 x 0,5
56	756-04113	Pulley, Half, 2.6 OD	Poulie, demi 2,6 DE
57	756-04114	Pulley, Half 2.2 OD	Poulie, demi 2,2 DE
58	790-00062	Bearing Washer 2.12 OD x .255 ID	Rondelle de roulement 2,12 DE x 0,255 DI
59	790-00082	Drive Idler Bracket	Support
60		See chart below.	Voir tableau de la page prochaine.

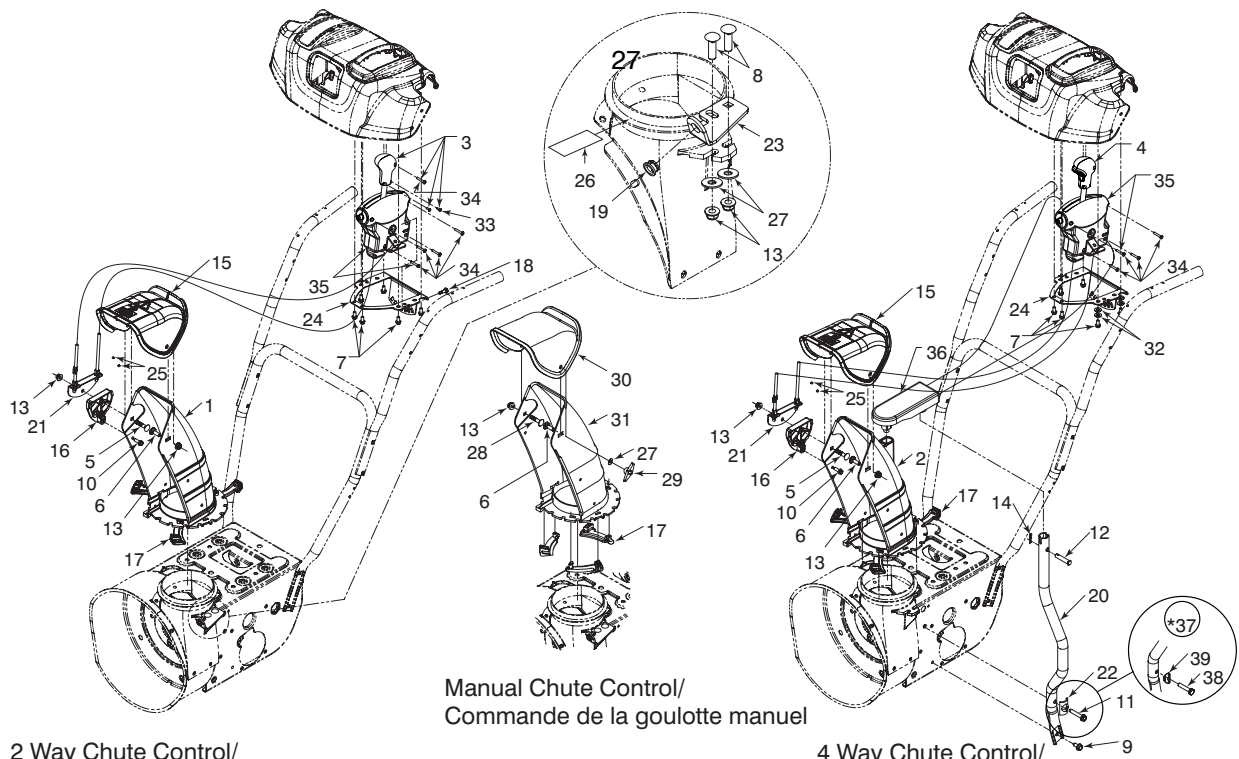
Continued on next page/Suite à la page prochaine

NO. N° DE RÉF RÉF	NO. N° DE PIÈCE PIÈCE	DESCRIPTION	DESCRIPTION
61	731-04873	Spacer .75 ID x 1.25 OD x 3.0	Entretoise 0,75 DI x 1,25 DE x 3,0
	* 731-04877	Spacer .75 ID x 1.25 OD x 1.50 (22" only)	Entretoise 0,75 DI x 1,25 DE x 1,5 (22 po seulement)
62	738-04095A	Axle .75 x 22	Essieu 0,75 x 22,0
	* 738-04109	Axle .75 x 19 (22" only)	Essieu 0,75 x 19,0 (22 po seulement)
63	756-0648A	Friction Wheel Disc .375 x 6.0	Disque 0,375 x 6,0
64	738-0865	Friction Disque Bearing Pin	Goupille
65	741-0600	Ball Bearing 17 x 40 x 12	Roulement à billes 17 x 40 x 12
66	618-04169	Friction Wheel Bearing Ass'y	Roulement
67	718-04070	Friction Wheel Hub	Moyeu du roue du friction
68	735-0243B	Friction Wheel Rubber	Roue du friction en caoutchouc
69	736-0105	Cupped Washer .400 ID x .88 OD x .06	Rondelle creuse 0,400 DI x 0,88 DE x 0,06
70	741-0245	Hex Flange Bearing. .751" I.D.	Roulement 0,75 DI
71	710-0896	Hex B-Tap Scr 1/4-28 x .25" Lg	Vis taraudée à tête hexagonale 1/4-28 x 0,25

31A-6003
7.6.04

*For models with 22" auger housings.

Model Modèle	Wheel Assembly Ensemble de roue	Description Description	Tire Roue	Rim Jante
31AE5GLF 31AE5GLG 31AH5KLG 31AE5KLH 31AE6GLN 31AE6LHG 31AE6LHH 31AE6MKH 31AE6MKP	634-04145 634-04146	16 x 4.8 x 8 LH X-Trac 16 x 4.8 x 8 RH X-Trac	734-2038 734-2038	634-04140 634-04140
31AE5HQ 31AE5LLH 31AH5MLH 31AE5MLP 31AE5NQ 31AE5SQ5 31AH6MLH 31AE6MLO	634-04136 634-04137	16 x 6.5 x 8 LH X-Trac 16 x 6.5 x 8 RH X-Trac	734-2031 734-2031	634-0069 634-0069
31A-6AED 31AA6AHE	634-04144	13 x 4 Snow Hog	734-1732	634-04151
31A-6LEF 31AE6GKF 31AE6GKO 31AE6LKG	634-04141	16 x 4.8 Snow Hog	734-1530	634-04140
31AA6AKE 31AE6FEE	634-04142	15 X 5 Snow Hog	734-1859	634-04151
31AE6FHF 31AE6FKF 31AS6LCG	634-04141	16 x 4.8 Snow Hog	734-1530	634-04140
31AH6KLG	634-04135	16 X 6.5 Snow Hog	734-1525	634-0069



2 Way Chute Control/
Commande de la goulotte à 2 fonctions

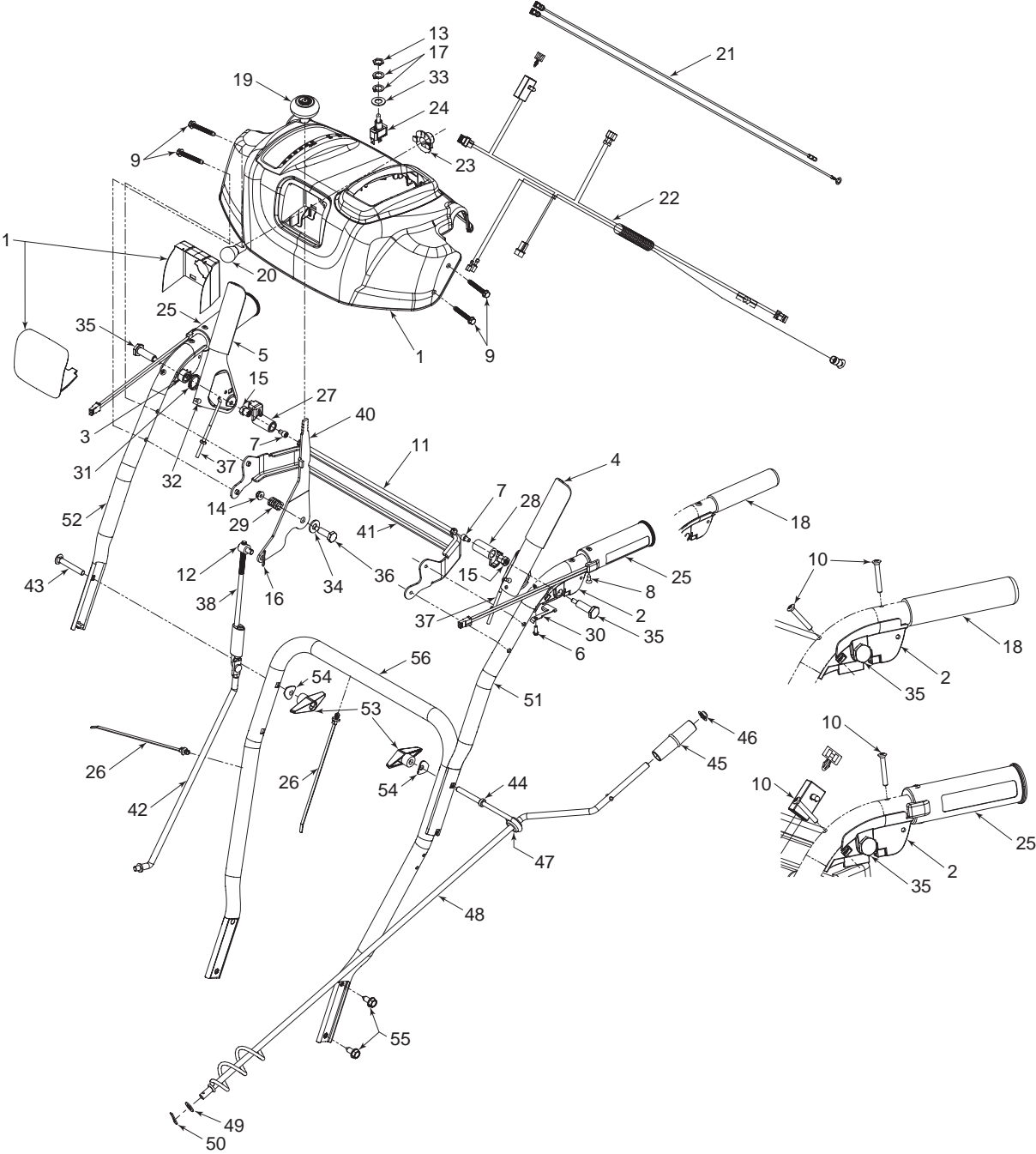
4 Way Chute Control/
Commande de la goulotte à 4 fonctions

* Optional - Replacement Hardware for Snow Thrower Chain Clearance/

* En Option - Quincaillerie de remplacement pour le dégagement de chaîne de la souffleuse

REF. NO. N° DE RÉF.	PART NO. N° DE PIÈCE	DESCRIPTION	DESCRIPTION
1	731-04912	Lower Chute (2 Way)	Goulotte inférieur (2 fonctions)
2	731-04861	Lower Chute (4 Way)	Goulotte inférieur (4 fonctions)
3	753-04862	Replacement Knob-2 Way Chute Control Lever	Bouton de rechange pour levier de la comm. de la goulotte à 2 fonctions
4	753-04866	Replacement Joystick Lever-4 Way Chute Control	Levier de rechange pour commande de la goulotte à 4 fonctions
5	710-0262	Carriage Bolt 5/16-18 x 1.50 Gr. 2	Boulon ordinaire 5/16-18 x 1,50 Qual. 2
6	710-04071	Carriage Screw 5/16-18 x 1.0	Vis ordinaire 5/16-18 x 1,0
7	710-04187	Hi-Lo Screw 1/4-15 x .50	Vis 1/4-15 x 0,50
8	710-0276	Carriage Bolt 5/16-18 x 1.00" Lg	Boulon ordinaire de 5/16-18 x 1,00 po de lg.
9	710-0726	Hex Wash HD AB Tap Scr 5/16 x .75	Vis taraudée 5/16 x 0,75
10	710-0895	Hex Tapp Scr 1/4 x .75" Lg.	Vis taraudée à tête hex. de 1/4 x 0,75 po de lg.
11	710-0909A	Hex Wash TT-Tap Scr 5/16-18 x 1.75 Lg.	Vis taraudée 5/16-18 x 1,75 po de lg.
12	711-0415	Clevis Pin 3/8 Dia	Axe de chape 3/8 Dia.
13	712-04063	Flange Locknut 5/16-18 Gr. F Nylon	Contre-écrou à embase 5/16-18 Qual. F nylon
14	714-0104	Int. Cotter Pin .072 x 1.13" Lg.	Goupille fendue int. 0,072 x 1,13 po de lg.
15	731-04425A	Upper Chute w/Export Label, Remote	Goulotte supérieur, étiquette d'export, commande à distance
16	731-1313C	Cable Guide	Guide de la câble
17	731-04869	Chute Flange Keeper	Garde-bride de la goulotte
18	738-04135	Shoulder Screw .25 x .50:10-24	Vis à épaulement 0,25 x 0,50:10-24
19	741-0475	Plastic Bushing .380 ID	Manchon en plastique de 0,38 po de D.I.
20	749-04155	Chute Support Tube	Tuyau de support de la goulotte
21	784-5594	Cable Bracket Chute Tilt	Support de câble
22	784-5599	Handle Tab	Taquet du guidon
23	784-5647	Chute Crank Brkt.	Support du bras de goulotte d'éjection
24	790-00131	Bracket: Chute Control Support:	Commande de la goulotte
25	737-0318	Grease:Arctic:EP NLGI 1-58F	Graisse
26	737-04085	Grease Pack	Paquet de graisse
27	736-0159	Flat Washer .349 ID x .879 OD x .063	Rondelle plate 0,349 DI x 0,879 DE x 0,063
28	710-0451	Carriage Bolt 5/16-18 x .75	Boulon ordinaire 5/16-18 x 0,75
29	720-0284	Handle Knob Assembly	Bouton
30	731-04354A	Upper Chute	Goulotte supérieur
31	731-04912	Lower Chute (2 Way/Manual)	Goulotte inférieur (2 fonctions et manuel)
32	736-0463	Flat Washer .25 x .630 x .0515 (4 pcs. w/631-04124)	Rondelle plate 0,25 x 0,630 x 0,0515 (4 pcs. avec 631-04124)
33	710-04352	Screw #6, .375 Plastite (Item of Part #3)	Vis N°. 6, 0,375 Plastite (article de pièce N°. 3)
34	710-04353	Screw #8, 1.00 Plastite (Item of Parts #3, #4 and #35)	Vis N°. 8, 1,0 Plastite (article des pièces N°. 3, N°. 4 et N°. 35)
35	753-04864	Joystick Control Housing w/Hardware	Boîtier du levier et quincaillerie
36	753-04875	Replacement Chute Rotation Pulley/Cable Assembly	Poulie de rotation de la goulotte (incl. les câbles)
37	753-04876	Replacement Hardware for Snow Thrower Chain Clearance	Quincaillerie de remplacement pour le dégagement de chaîne de la souffleuse
38	710-0805	Hex Bolt 5/16-18 x 1.50 Gr. 5	Boulon hex. 5/16-18 x 1,50 po de lg. Qual. 5
39	736-0451	Saddle Washer .320 ID x .93 OD	Rondelle selle 0,320 DI x 0,93 DE

Styles H, K & L



REF. NO. N° DE RÉF.	PART NO. N° DE PIÈCE	DESCRIPTION	DESCRIPTION
1	631-04124	Handle Panel Ass'y - Yellow	Panneau - jaune
	631-04125	Handle Panel Ass'y - Black	Panneau - noir
	631-04128	Handle Panel Ass'y-Black w/Chute Control	Panneau - noir avec commande de la goulotte
2	631-04133	LH Clutch Lock Handle Ass'y	Poignée d'embrayage CG
3	631-04134	RH Clutch Lock Handle Ass'y	Poignée d'embrayage CD
4	684-04105	Engagement Handle Assembly LH	Poignée d'entraînement CG
5	684-04106	Engagement Handle Assembly RH	Poignée d'entraînement CD
6	710-04326	Screw #8-16 x .50	Vis no. 8-16 x 0,50
7	710-04354	Screw 1/4-20 x .375	Vis 1/4-20 x 0,375
8	710-0837	Oval HD C-Sunk Scr #10 x 5/8	Vis à tête goutte de suif no 10 x 5/8
9	710-1026	Hex TT-Tap Scr 1/4-20 x 1.75	Vis taraudée 1/4-20 x 1,75
10	710-1233	Oval C-Sunk Hd Screw 10-24 x 1.375	Vis 10-24 x 1,375
11	711-04287	Pivot Rod	Tige de pivot
12	711-0677	Adjustment Ferrule	Virole de réglage
13	712-0693	Hex Nut	Écrou à six pans
14	712-04064	Hex L-Flanged Nut 1/4-20 Gr. F Nylon	Contre-écrou à embase 1/4-20 Qual. F nylon
15	712-04081A	Hex Shoulder Nut 1/4-20	Écrou 1/4-20
16	714-0104	Int. Cotter Pin .072 x 1.13" Lg.	Goupille fendue int. 0,072 x 1,13 po de lg.
17	716-0398	Lock Ring - Toggle Switch	Bague - commutateur à culbuteur
18	720-0274	Grip	Poignée
19	720-04039	Shift Knob	Bouton
19	720-04045	Shift Knob - Yellow	Bouton - jaune
20	725-04213	Lamp #1295	Ampoule no. 1295
21	725-04214	Wire Harness	Faisceau de fil
22	725-04216A	Heated Grip Wire Harness	Faisceau de fil - poignée chauffée
23	725-1649	Socket	Douille
24	725-1756	Toggle Switch - Single Throw	Commutateur à culbuteur
25	725-1757	Heated Grip	Poignée chauffée
26	726-0470	Cable Tie 19 x 8.39"	Attache-câble 19 x 8,39 po
27	731-04894	Lock Plate	Palastre de serrure
28	731-04896	Clutch Lock Cam	Came
29	732-0193	Compression Spring .38 ID x .88 Lg	Ressort de compression 0,38 DI x 0,88 po de lg.
30	732-04219	Spring: Clutch Lock	Ressort: Verrou d'embrayage
31	732-04238	Torsion Spring .8156 x .3038	Ressort de torsion 0,8156 x 0,3038
32	735-0199A	Rubber Bumper	Pare - chocs en caoutchouc
33	736-0226	Flat Washer .469 ID x .88 OD x .063	Rondelle plate 0,469 DI x 0,88 DE x 0,063
34	736-0262	Flat Washer .38 ID x .87 OD x .09	Rondelle plate 0,38 DI x 0,87 DE x 0,09
35	738-04122	Shoulder Screw 1/4-20 x 1.345	Vis à épaulement 1/4-20 x 1,345
36	738-04125	Shoulder Screw .374 Dia. x 1.05 Lg.	Vis à épaulement 0,374 dia. x 1,05 po de lg.
37	746-0778	"Z" Fitting	Extrémité en «Z»
38	747-04284	Upper Shift Rod	Tige de commande supérieur
39	750-04314	Shift Rod Connector	Raccord - Tige de commande
40	790-00130	Shift Lever	Levier de changement de la vitesse
41	790-00140	Panel Support	Support de panneau de bord
42	747-04257	Shift Rod	Tige de changement de la vitesse
44	747-04263	Chute Crank Eye Bolt Special	Boulon à oeil spécial
45	720-0201A	Knob 1.0 x 3.2	Bouton 1,0 x 3,20
46	726-0100	Push Nut 3/8" Rod	Écrou pour tige de 3/8 po
47	735-0234	Grommet	Grummet
48	684-04104	Chute Crank Assembly	Manivelle de la goulotte
49	736-0185	Flat Washer .406" I.D. x .75" O.D.	Rondelle plate 0,406 DI x 0,75 DE
50	714-0104	Int. Cotter Pin .072 x 1.13" Lg.	Goupille fendue int. 0,072 x 1,13 po de lg.
51	749-04142	Upper Handle LH	Goulotte supérieur CG
52	749-04141	Upper Handle RH	Guidon supérieur CD
53	720-0284	Handle Knob Assembly	Bouton
54	736-0451	Saddle Wash. .320 ID x .937 OD	Rondelle selle 0,320 DI x 0,937 DE
55	710-0726	Hex Wash HD AB Tap Scr 5/16 x .75	Vis taraudée 5/16 x 0,75
56	749-04138	Lower Handle	Guidon inférieur

CHAPITRE 9: GARANTIE YARDWORKS LIMITÉE DE QUATRE ANS

YARDWORKS CANADA s'engage à réparer ou à remplacer gratuitement, à son choix, à l'acheteur initial, toute pièce ou partie de pièce qui s'avère défectueuse en raison d'un vice de matière ou de fabrication, dans un délai de QUATRE ANS à partir de la date d'achat au détail au Canada.

Cette garantie ne couvre pas:

1. Les pièces rendues inutilisables par un emploi incorrect, une utilisation commerciale, un emploi abusif, une négligence, un entretien incorrect ou une modification;
2. La machine si elle n'a pas été utilisée et/ou entretenue conformément aux instructions qui l'accompagnent; Le moteur, le moteur électrique ou l'un de ses composants car ils sont garantis par leurs fabricants respectifs. Veuillez consulter la garantie qui s'applique à la pièce en particulier, et lisez le paragraphe ci-dessous au sujet de la garantie des moteurs;
4. Les batteries et les pièces présentant une usure normale énumérées plus bas. Les pompes, soupapes et cylindres des fendeuses à bois sont garantis pendant un an;
5. Les articles d'entretien courant tels que les lubrifiants, filtres, aiguillage de lames et révisions, ou les réglages des freins, de l'embrayage ou du plateau de coupe;
6. La détérioration normale de la finition extérieure du fait de l'utilisation de la machine et de son exposition aux intempéries.

Garantie complète de cent quatre-vingts jours de la batterie: YARDWORKS CANADA s'engage à remplacer gratuitement la batterie à l'acheteur initial, si la batterie fournie avec la machine s'avère défectueuse en raison d'un vice de matière ou de fabrication et si nos essais confirment qu'elle ne peut pas maintenir une charge, dans un délai de cent quatre-vingts (180) jours à partir de la date d'achat au détail.

Garantie limitée supplémentaire de soixante jours de la batterie: à l'expiration du délai de cent quatre-vingts (180) jours, mais dans un délai de deux cent quarante (240) jours de la date d'achat, YARDWORKS CANADA s'engage à remplacer la batterie défectueuse à l'acheteur initial pour la moitié du prix de vente au détail de la batterie, en vigueur au moment du retour de la batterie.

Garantie complète de cent vingt (120) jours des pièces à usure normale: les courroies, adaptateurs de lame, lames, sacs à herbe, sièges, pneus, roues du plateau de coupe des tondeuses à siège, et pièces d'embrayage (roues de frottement) sont considérés comme des pièces à usure normale. Elles sont garanties exemptes de vices de matière et de fabrication à l'acheteur initial pour une période de cent vingt (120) jours à partir de la date d'achat au détail.

Pour faire honorer la garantie: présentez une preuve d'achat à l'atelier de réparations ou au distributeur agréé. Si vous ne connaissez pas l'adresse de l'atelier de réparations ou du distributeur de votre région, appelez le 1-866-523-5218. L'usine ne peut accepter le renvoi d'une machine complète si une autorisation n'a pas été accordée par écrit par YARDWORKS CANADA.

Frais de transport: les frais relatifs au transport de toute machine motorisée ou de tout accessoire sont à la charge de l'acheteur. Les frais de transport d'une pièce quelconque envoyée à des fins de remplacement en vertu de cette garantie doivent être prise en charge par l'acheteur, sauf si le renvoi de la machine est demandé par écrit par YARDWORKS CANADA.

Autres garanties: toutes les autres garanties, qu'elles soient expressées ou tacites, y compris les garanties tacites de qualité marchande, se limitent à la durée stipulée dans cette garantie limitée expressée. Les conditions stipulées dans cette garantie constituent le recours unique et exclusif quant aux obligations de YARDWORKS CANADA découlant de la vente de ses produits.

YARDWORKS CANADA ne peut être tenue responsable pour toute perte ou tout dommage accidentel ou indirect. Cette garantie limitée double la durée de la garantie limitée du fabricant du moteur qui accompagne la documentation à l'intention du propriétaire

GARANTIE YARDWORKS LIMITÉE DE 4 ANS DES MOTEURS



REMARQUE: Ce chapitre concerne des problèmes d'entretien mineurs. Pour plus de détails, adressez-vous à une station technique agréée.

Problème	Cause(s)	Solution
Le moteur ne démarre pas	<ol style="list-style-type: none"> Réservoir vide ou essence éventée. Canalisation de carburant bouchée. Volet de départ fermé. Bougie défectueuse. La clé de contact du moteur n'est pas mise. Fil de la bougie débranché. Bouton de l'armateur n'étant pas employé correctement. 	<ol style="list-style-type: none"> Faites le plein avec une essence propre et fraîche. La nettoyer. Ouvrez le volet de départ. Nettoyez, réglez l'écartement ou remplacez la bougie. Mettez la clé. Branchez le fil de la bougie. Adressez-vous à un station technique.
Fonctionnement irrégulier	<ol style="list-style-type: none"> Machine fonctionnant avec le volet de départ fermé. Canalisation de carburant bouchée ou essence éventée. Eau ou saleté dans le système d'essence. Carburateur est mal réglé. 	<ol style="list-style-type: none"> Ouvrez le volet de départ. Nettoyez la canalisation; faites le plein avec une essence propre. Débranchez la canalisation d'essence au carburateur pour vider le réservoir d'essence. Faites le plein avec une essence fraîche. Adressez-vous à une station technique.
Perte de puissance	<ol style="list-style-type: none"> Fil de la bougie desserré. Chapeau d'échappement du trou d'aération bouché. Le port d'échappement est bouché. 	<ol style="list-style-type: none"> Branchez et serrez le fil de la bougie. Dégagez la glace et la neige du chapeau d'aération. Assurez-vous de la propreté du trou d'aération. Adressez-vous à une station technique.
Moteur surchauffé	<ol style="list-style-type: none"> Carburateur est mal réglé. 	<ol style="list-style-type: none"> Adressez-vous à une station technique.
Vibration excessives	<ol style="list-style-type: none"> Pièces desserrées ou vis sans fin endommagée. 	<ol style="list-style-type: none"> Arrêtez immédiatement le moteur et débranchez le fil de la bougie. Serrez tous les boulons et écrous. Si les vibrations persistent, faites vérifier la machine par une station technique agréée.
La souffeuse n'avance pas	<ol style="list-style-type: none"> Câble d'entraînement mal réglé. Courroie d'entraînement abîmée ou ayant du jeu. 	<ol style="list-style-type: none"> Réglez le câble d'entraînement. Voir le réglages. Remplacez la courroie d'entraînement.
La souffeuse n'évacue pas la neige	<ol style="list-style-type: none"> Goulotte d'évacuation bouchée. Présence de corps étranger dans la tarière. Câble d'entraînement de la tarière mal réglé. Courroie d'entraînement de la tarière abîmée ou ayant du jeu. Goupille de cisaillement est cisailée. 	<ol style="list-style-type: none"> Arrêtez immédiatement le moteur et débranchez le fil de la bougie. Nettoyez la goulotte d'évacuation et l'intérieur du logement de la tarière. Arrêter immédiatement le moteur et débranchez le fil de la bougie. Dégagez le corps étranger de la tarière. Voir Derniers réglages à la page 8. Voir la page 18. Remplacez la goupille de cisaillement.

CHAPITRE 8: GUIDE DE DÉPANNAGE

CHAPITRE 7: REMISAGE HORS SAISON

Si le moteur doit être entreposé pendant plus de 30 jours, préparez-le de la façon selon les instructions fournies dans la notice d'utilisation du moteur qui accompagne votre souffleuse.



AVERTISSEMENT: N'entreposez jamais le moteur avec du carburant dans le réservoir à l'intérieur ou dans des endroits fermés si la ventilation n'est pas adéquate et si les vapeurs de carburant peuvent venir en contact avec une flamme ou une étincelle ou veillez à un chauffe-eau, un radiateur, un fourneau, un sèche-linge ou autre appareil à gaz.

- Nettoyez à fond la souffleuse.
 - Suivez les renseignements de lubrification dans le chapitre **Régime d'utilisation** de cette notice d'utilisation.
 - Entreposez la souffleuse dans un endroit sec et propre.
- REMARQUE:** Prenez soin, avant de remettre une machine à moteur dans un abri métallique ou mal aéré, de bien la protéger contre la rouille. Enduisez la machine en particulier les chaînes, ressorts, roulements et câbles, d'une couche d'huile légère ou de silicone.

Changement de la bague en caoutchouc de la roue de frottement

- La bague de caoutchouc de la roue de frottement devrait être vérifiée après 25 heures de fonctionnement, et, par la suite, de façon périodique. Remplacez la bague en caoutchouc de la roue de frottement dès l'apparition de signes d'usure ou si vous apercevez des fendillements.
- Videz l'essence de la souffluse ou placez un morceau de plastique sous le bouchon d'essence. Placez le levier de changement de vitesse à la position R2.
- Basculez la souffluse vers l'avant pour la faire reposer sur l'habitacle. Enlevez les deux vis-auto-tarandeuses du couvre-châssis, sous la souffluse.
- Démontez la roue droite en retirant la vis et la rondelle creuse qui la maintiennent sur l'essieu. Localisez l'arbre hex. et la bague élastique sur la droite du châssis de la souffluse, à environ 2 pouces de l'essieu de la roue.
- Avec un outil adéquat, dégagez soigneusement la bague extérieure en E qui maintient l'arbre hex. sur le châssis de la souffluse, puis frappez doucement sur l'extrémité de l'arbre pour déloger le roulement à billes de la droite du châssis.
- Faites ensuite glisser l'arbre hex. vers le bas et la gauche tout en dégageant lentement les engrenages inférieurs des engrenages supérieurs sur l'essieu de la roue. Voir la Figure 28.

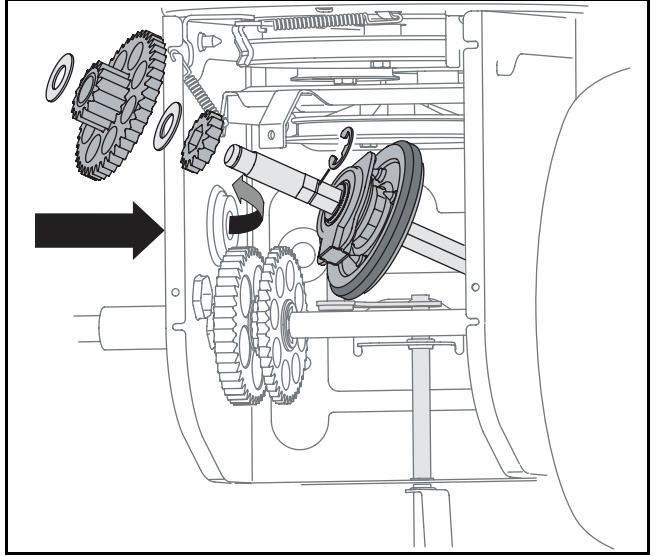


Figure 28

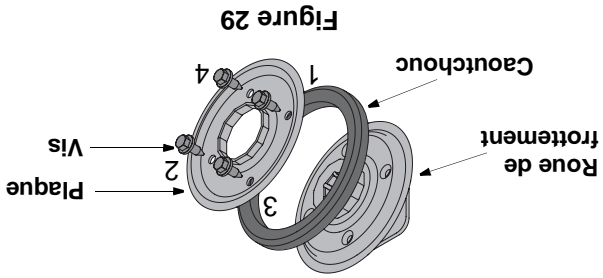


Figure 29

- Mettez de côté les engrenages de l'arbre hex. Dégagez soigneusement la bague intérieure en E de l'arbre hex. et retirez la roue de frottement en la faisant glisser de l'arbre hex.
 - Enlevez les quatre vis de l'ensemble de la roue de frottement et retirez le caoutchouc de la roue de frottement.
 - Installez le nouveau caoutchouc de la roue de frottement sur la roue de frottement, tournez chaque vis approximativement 2 tours dans l'ordre illustré à la Figure 30, et serrez-les à fond. Il est très important que la bague de caoutchouc soit bien montée de façon symétrique.
 - Glissez la roue de frottement sur l'arbre hexagonal et procédez comme ci-dessus, mais dans l'ordre inverse, pour installer tous les composants.
- REMARQUE:** Si vous remplacez la roue de frottement au complet, jetez la roue usée et glissez la roue de frottement neuve sur l'arbre hex. Procédez comme ci-dessus, mais dans l'ordre inverse, pour installer tous les composants. Si vous démontez la roue de frottement pour ne remplacer que la bague en caoutchouc, procédez comme suit.

- Basculez la souffeuse vers l'avant pour la faire reposer sur l'habitacle. Enlevez les deux vis auto-taranduses du couvre-châssis sous la souffeuse et écartez-le. Voir la Figure 24.

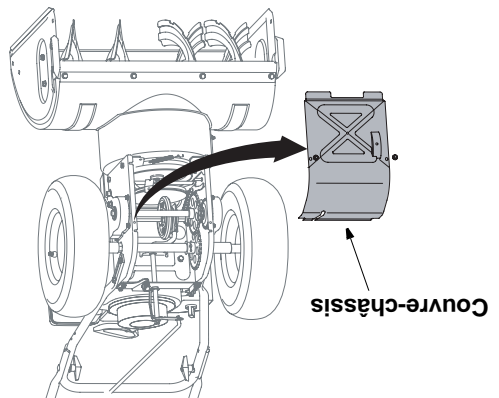


Figure 24

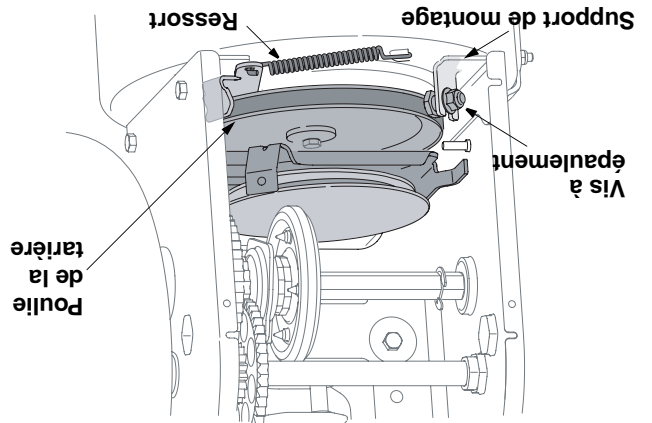


Figure 25

- Faites passer la courroie de la tarière derrière la poulie de tension. Accrochez le ressort sur le bouton comme précédemment.
- Remplacez le couvre-châssis et remettez la souffeuse en position normale.
- Faites passer la courroie de la tarière sur la poulie motrice.
- Remplacez le couvre-courroie avec les vis auto-taranduses enlevées précédemment.

Remplacement de la courroie de la transmission

- Démontez le couvre-courroie en retirant les deux vis auto-taranduses qui le maintiennent sur le châssis de la souffeuse. Voir la Figure 22.
- Videz l'essence du réservoir ou placez un morceau de plastique sous le capuchon pour empêcher les fuites.
- Dégagez la courroie de la tarière de la poulie, comme à la Figure 23.
- Poussez la poulie de tension loin de la goulotte et enfoncez un tournevis à tête Phillips dans le trou sur la tendeur, comme à la Figure 26. Ceci éliminera la tension sur la courroie de la transmission.
- Dégagez la courroie de la transmission et éloignez-la de la poulie motrice pour la retirer. Voir la Figure 26.

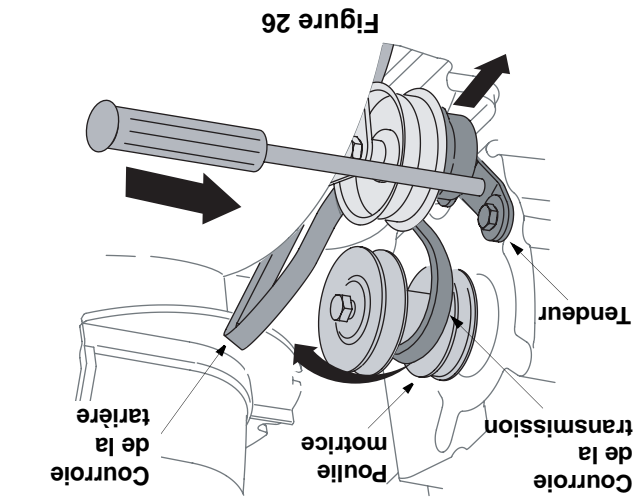


Figure 26

- Dévissez le bouton d'arrêt pour créer un espace suffisant entre le disque de la roue de frottement et la poulie de la transmission ainsi que du disque de la roue de frottement. Voir la Figure 27.
- Placez-vous de l'autre côté de la souffeuse et dégagez la courroie du vilebrequin.
- Installez la courroie neuve, en la glissant tout d'abord sur le vilebrequin, puis sur la poulie motrice de la même façon que la courroie que vous venez de retirer. Quand la courroie est bien assise sur les poulies, n'oubliez pas de retirer le tournevis de la poulie de tension.
- Remplacez la courroie de la tarière sur la poulie motrice.
- Remplacez le couvre-châssis et remettez l'équipement en marche. Fixer le couvre-courroie avec les deux vis auto-taranduses retirées plus tôt.

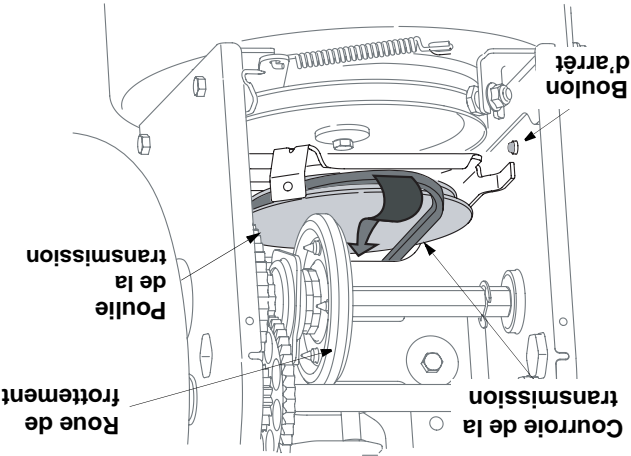


Figure 27

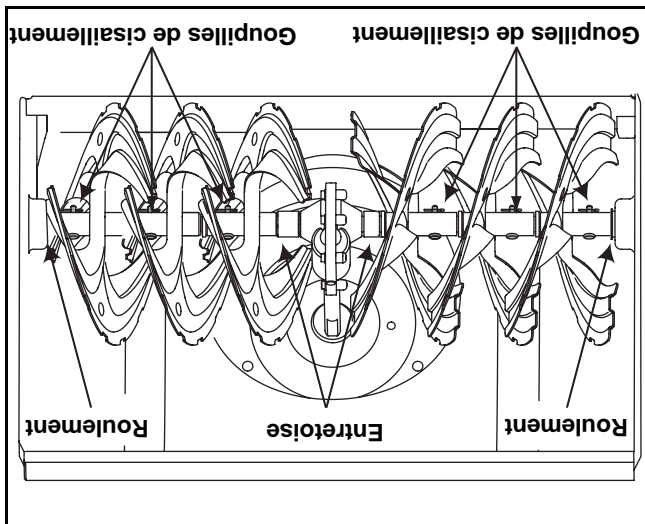


Figure 21 - Tarrière de 30 po illustrée.



AVERTISSEMENT: Débrayez toutes les commandes et arrêtez le moteur avant de lubrifier, de réparer ou d'inspecter la souffluse. Attendez que toutes les pièces se soient immobilisées.

Lame plate et patins

- La lame plate et les patins sont installés sous la souffluse et ils risquent de s'user. Vérifiez-les régulièrement et remplacez-les au besoin.
- Pour retirer les patins, enlevez les quatre boulons ordinaires et les contre-écrous à embase qui les maintiennent sur la souffluse. Remontez les nouveaux patins avec les boulons ordinaires (deux sur chaque côté) et les contre-écrous à embase. Voir la Figure 19.
- Pour démonter la lame plate, enlevez les boulons ordinaires et le contre-écrou à embase qui la maintiennent ainsi que les patins sur la souffluse. Installez la lame plate neuve en vérifiant que la tête des boulons ordinaires se trouve à l'intérieur de l'habitacle. Serrez à fond.

Remplacement de les courroies

- Vérifiez les courroies de la tarrière et de l'entraînement toutes les 25 heures de fonctionnement. Remplacez-les si elles présentent des signes d'usure.
- **Remplacement de la courroie de la tarrière**
 Démontez le couvre-courroie en retirant les deux vis auto-taranduses qui le maintiennent sur l'habitacle de la souffluse. Voir la Figure 22.

- Videz l'essence du réservoir ou placez un morceau de plastique sous le capuchon pour empêcher les fuites.

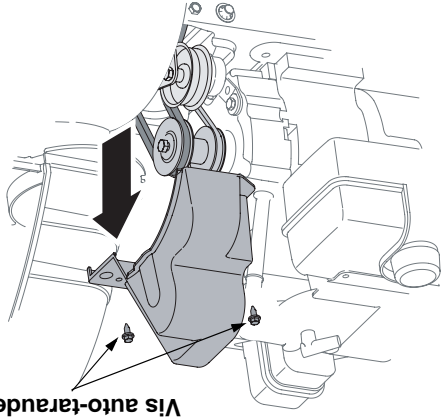


Figure 22

- Dégagez la courroie de la tarrière de la poulie, comme à la Figure 23.

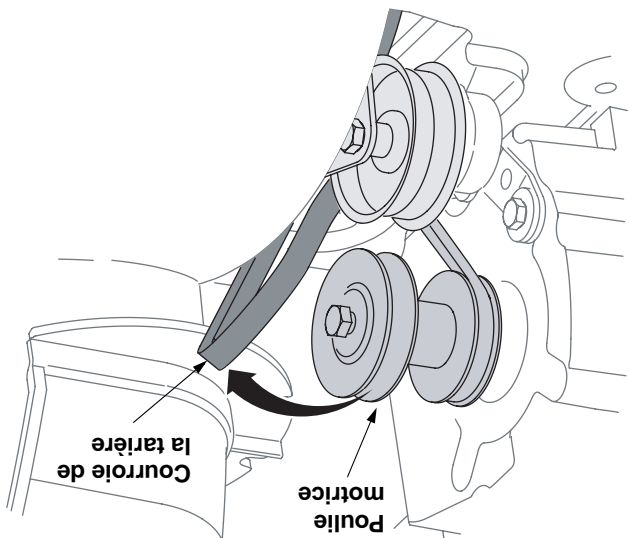


Figure 23

- Basculez la souffluse vers l'avant pour la faire reposer sur l'habitacle. Enlevez les deux vis auto-taranduses du couvre-châssis sous la souffluse et écarterz celui-ci. Voir la Figure 24. Faites faire un demi-tour à la vis à épaulement et dégagez-la du support de montage. Voir la Figure 24.
- Débranchez le ressort pour éliminer la tension sur la courroie de la tarrière. Enlevez la courroie usagée et remplacez-la par une courroie neuve bien installée dans la rainure. Voir la Figure 27.
- Enroulez la courroie de la tarrière sur la poulie de la tarrière. Voir la Figure 27.
- Remplacez la vis à épaulement dans le support de montage et serrez à fond.

CHAPITRE 6: RÉGIME D'UTILISATION ET ENTRETIEN



AVERTISSEMENT: Débrayez toutes les commandes et arrêtez le moteur avant de lubrifier, de réparer ou d'inspecter la soufflerie. Attendez que toutes les pièces se soient immobilisées.

Moteur

Consultez la notice d'utilisation du moteur fournie avec la soufflerie quant aux instructions d'entretien du moteur.

Lubrification

Moteur

Consultez la notice d'utilisation du moteur, fournie avec la soufflerie.

Arbre de transmission

Lubrifiez l'arbre de transmission (hex.) au moins une fois par saison ou toutes les 25 heures d'utilisation.

- Enlevez le couvre-châssis en enlevant les deux vis auto-taradeuses qui le maintient.
- Appliquez une légère couche d'huile polyvalente toutes saisons sur l'arbre hex. Voir la Figure 20.

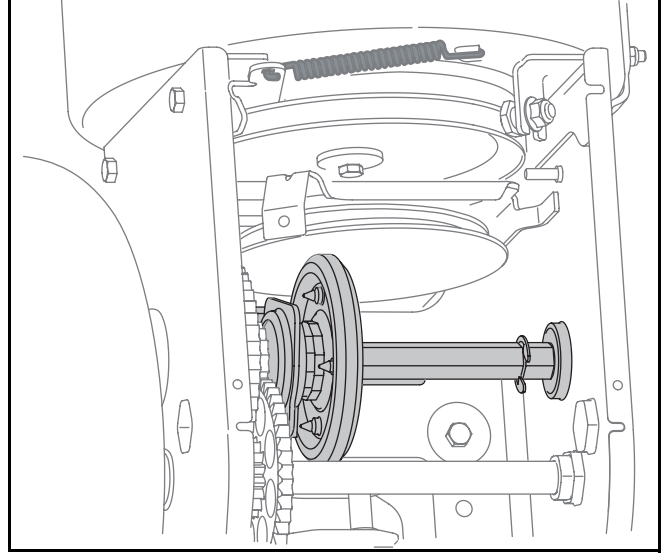


Figure 20

IMPORTANT: Évitez de répandre de l'huile sur la roue de frottement en caoutchouc et sur la plaque d'entraînement en aluminium.

- Ajustez les patins en desserrant les quatre contre-écrous à embase (deux de chaque côté) et boulons ordinaires. Déplacez les patins à la position voulue.
- Vérifiez que toute la surface inférieure des patins est de niveau et en contact avec le sol pour éviter leur usure inégale. Serrez les boulons à fond.

Roues

Huilez ou vaporisez du lubrifiant sur les roulements des roues au moins une fois par saison. Démontez les roues, nettoyez et enduisez les essieux d'une graisse automobile à usages multiples.

Commande de direction de la goulotte

- Il est recommandé de graisser l'engrenage à vis sans fin de la manivelle de la goulotte avec une graisse automobile à usages multiples.

Arbre de la tarière

- Enlevez les goupilles de cisaillement sur l'arbre de la tarière, au moins une fois par saison. Vaporisez un lubrifiant à l'intérieur de l'arbre et autour des entretoises. Lubrifiez aussi les roulements à bride trouvés à chaque extrémité de l'arbre de la tarière. Voir la Figure 21.

Tarières

Deux goupilles de cisaillement et deux goupille-épingles maintiennent les tarières sur l'arbre de la tarière. Voir la Figure 19. Les goupilles sont sensées se cisailier si la soufflerie heurte un objet ou un bloc de glace.

Si les tarières ne tournent pas, vérifiez si les goupilles se sont cisailées. Remplacez les goupilles si besoin est. Deux goupilles de cisaillement et deux goupille-épingles de rechange sont fournis. Vaporisez un lubrifiant à base d'huile sur l'arbre avant d'installer les goupilles neuves et de fixer avec les goupilles-épingles neuves.

IMPORTANT: Ne remplacez JAMAIS les goupilles de cisaillement de la tarière par des goupilles autres que les goupilles de remplacement OEM-738-04124. Tout dégât causé à la boîte de vitesses ou à toute autre pièce de la tarière par l'emploi de goupilles non homologuées ne sera pas couvert par la garantie de la soufflerie.

Boîte de l'engrenage

La boîte de l'engrenage à vis sans fin a été remplie de graisse à l'usine. Si elle est démontée pour une raison quelconque, lubrifiez-la à nouveau avec 2,0 oz. de graisse (Numéro de pièce 737-0168).

IMPORTANT: Ne remplissez pas trop la boîte de l'engrenage car les joints pourraient être endommagés. Vérifiez que le bouchon de l'évent ne contient pas de graisse pour pouvoir dégager la pression.

Réglage du support de la goulotte

Si la vis hélicoïdale à la base de la commande de direction de la goulotte ne s'enclenche pas bien avec la goulotte, il est possible d'ajuster le support de la goulotte. Pour cela, desserrez les deux écrous qui retiennent le support de la goulotte, repositionnez-le, puis resserrez les écrous. Voir la Figure 17.

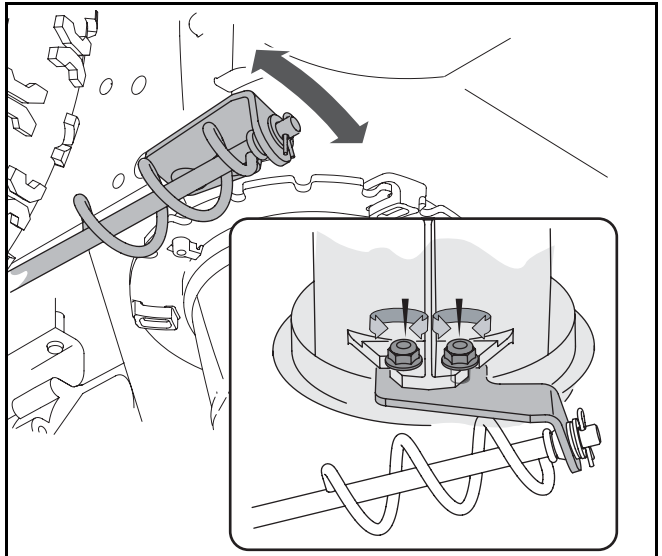
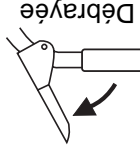


Figure 17

Commande de la transmission

Le câble doit présenter très peu de jeu quand la commande de la transmission est débrayée et en position «relève». Le câble ne doit PAS être tendu. Vérifiez l'ajustement de la commande de la transmission comme suit:

1. La commande de transmission débrayée, poussez la souffluse, puis tirez-la. La machine doit bouger facilement.
 2. Embrayez la commande de traction débrayée et essayez de déplacer la souffluse vers l'avant. Vous devez sentir une résistance. Les roues ne doivent pas tourner. La machine doit PAS bouger facilement.
 3. Débrayez la commande de la transmission, déplacez plusieurs fois le levier de vitesses d'avant en arrière entre les positions R2 et F6. Vous ne devez sentir **aucune** résistance dans le levier de vitesses.
- Si l'un des tests ci-dessus échoue, ajustez le câble de la transmission. Consultez la Figure 18 et continuez comme suit:
- Desserrez le contre-écrou à six pans du raccord en «Z» du câble (sans torde le câble) de commande de la tarière. Faites tourner la virole du câble vers le bas pour obtenir plus de jeu ou vers le haut pour obtenir moins de jeu. Voir la Figure 18.



Patins

L'espace entre la lame plate et le sol peut être ajusté en ajustant les patins. Voir la Figure 19. Pour débrayer complètement la neige, placez les patins à la position basse. Utilisez les positions intermédiaire ou haute lorsque la surface à débrayer est irrégulière.

REMARQUE: Certains modèles sont équipés de patins réversibles et peuvent être retournés pour accroître leur durée de vie.



AVERTISSEMENT: Il est déconseillé d'utiliser la souffluse sur une surface recouverte de gravier qui, s'il est projeté par la tarière, peut causer des blessures corporelles et des dégâts matériels.

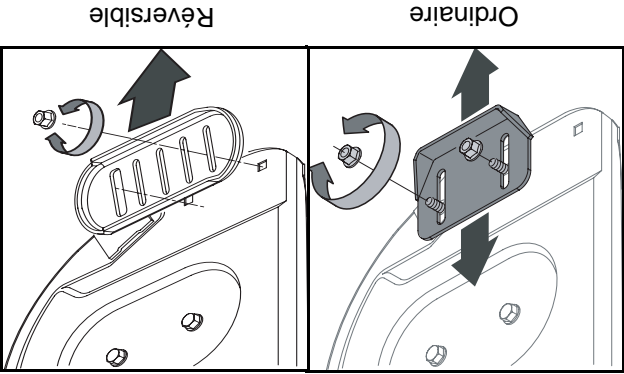
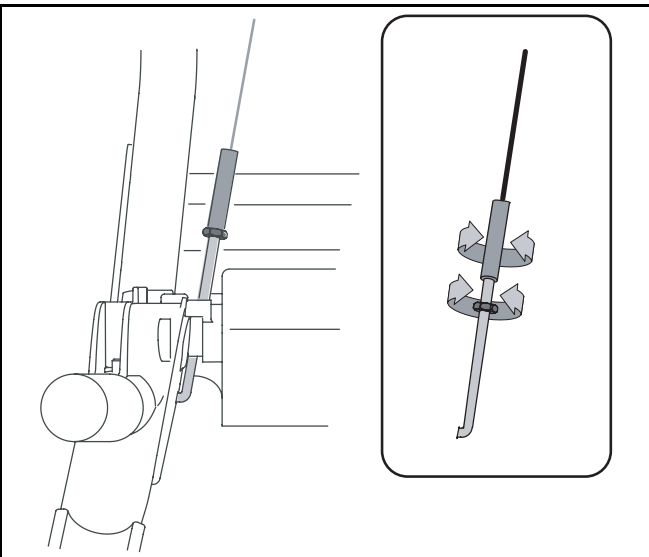


Figure 19 - Patins

Figure 18



Resserrez ensuite le contre-écrou à six pans et répétez les trois tests pour vous assurer du bon ajustement.

Commande de la tarière
Reportez-vous au test de la commande de la tarière, page 13, pour ajuster la tarière.

CHAPITRE 5: RÉGLAGES



AVERTISSEMENT: N'essayez jamais d'effectuer un réglage quelconque pendant que le moteur tourne, sauf en cas d'instructions spéciales dans la notice d'utilisation.

Tige du levier de vitesses

Si la gamme complète des vitesses (vers l'avant et l'arrière) ne peut pas être réalisée, référez-vous aux figures à la droite et régler la tige du levier de vitesses comme suit:

1 Placez le levier de vitesses à la position marche avant la plus rapide. Enlevez la goupille-épingle de la poignée du levier de vitesses, qui fixe la virole sur le levier de vitesses.

2 Tournez le bras de commande dans le sens des aiguilles d'une montre le plus loin possible.

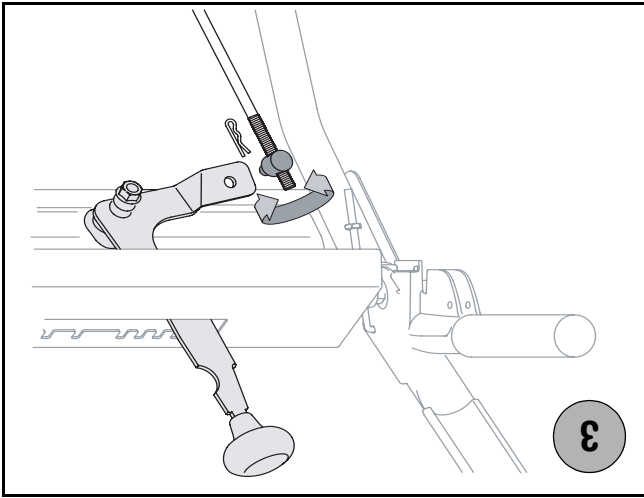
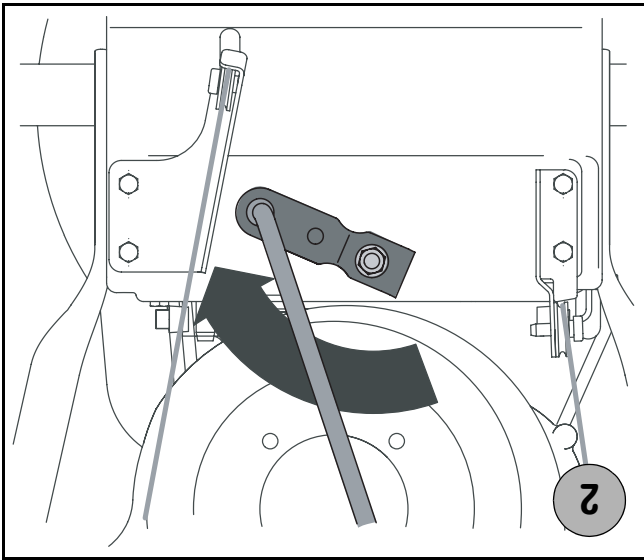


Figure 14

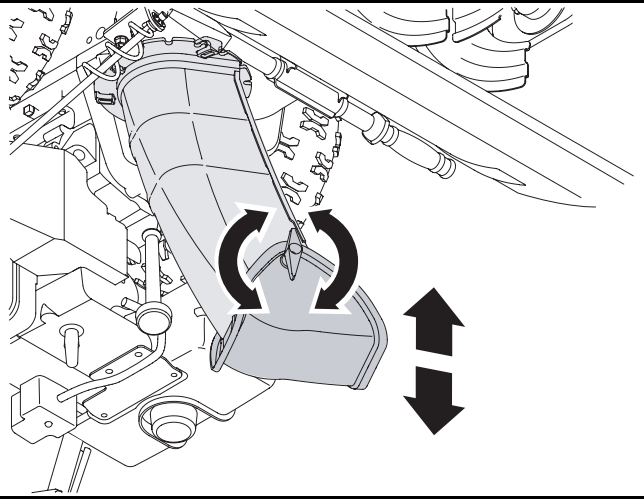


Figure 15

3

Filtez la virole sur la tige du levier de vitesses selon le besoin, jusqu'à ce que la virole soit alignée avec le trou du haut du levier de vitesses. Maintenez le tout en place avec la goupille-épingle.

Goulotte

La distance de projection peut être modifiée en changeant l'angle de la goulotte. Arrêtez le moteur et retirez la clé de contact. Desserrez le bouton sur le côté gauche de la goulotte d'éjection pour la régler. Faites pivoter la goulotte à la position voulue et resserrer le bouton. Voir la Figure 16.

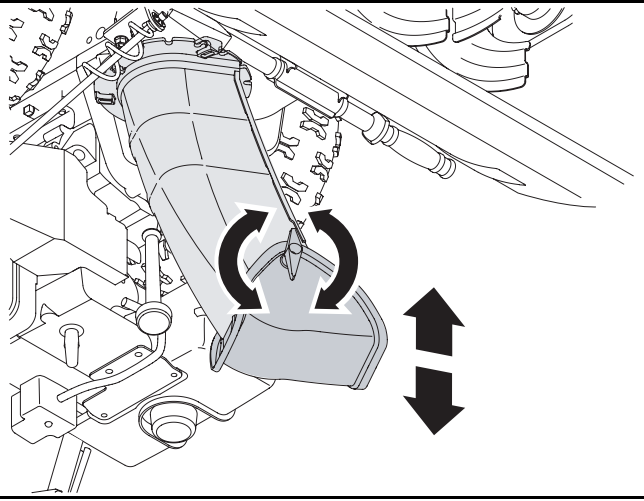


Figure 16

- Le déblaiement sera plus facile s'il est effectué peu de temps après une chute de neige.
- Dans la mesure du possible, projetez la neige dans le sens du vent.
- Chevauchez légèrement les passages successifs. Réglez les patins à 1/4 de po en dessous de la lame plate pour un déblaiement normal. On peut relever les patins en cas de neige tassée.
- Abaissez-les sur les allées recouvertes de gravier. Pour empêcher le démarreur de geler. Nettoyez la souffluse complètement après chaque utilisation.



AVERTISSEMENT: La température du silencieux et des zones voisines peut dépasser 150°F (65°C). Évitez de les toucher.

REMARQUE: Laissez le moteur tourner pendant quelques minutes, car il ne développe toute sa puissance que lorsqu'il atteint sa température de fonctionnement normale.

Conseils d'utilisation

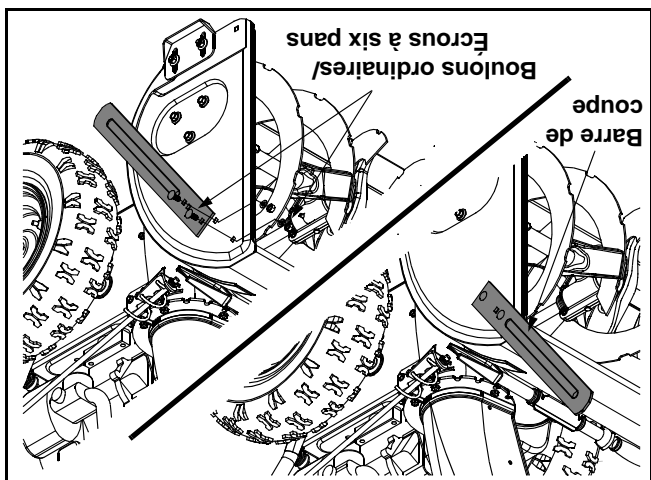
Les chaînes pour pneu ne devraient être employées chaque fois que la traction supplémentaire est nécessaire. Si votre souffluse n'est pas équipée des chaînes pour pneu, le service après-vente peut vous renseigner quant à leur prix et leur disponibilité.

Chaînes pour pneu (sur certains modèles)

Modèle de souffluse Tous les modèles
Barres de coupe OEM-390-679

Si votre souffluse n'est pas équipée de barres de coupe, le service après-vente (voir page 2) peut vous renseigner quant à leur prix et leur disponibilité.

Figure 12



7. Lors des passages successifs, ajustez la goulotte à la position voulue et chevauchez légèrement le passage précédent.
8. Lorsque la neige est déblayée, arrêtez la souffluse selon les instructions ci-dessus.

Outil de dégagement de la goulotte

Cet outil est maintenu sur l'arrière de l'habitacle de la tarière par une attache. Servez-vous de cet outil pour éliminer les accumulations de neige et de glace dans la goulotte, procédez comme suit pour nettoyer la goulotte et l'ouverture de la goulotte:

- Débrayez la manette de commande de la tarière et la manette de blocage de la traction/tarière.
- Arrêtez le moteur et retirez la clé de contact.
- Détachez l'outil de dégagement de la goulotte de sa position sur l'arrière de l'habitacle de la tarière.
- Utilisez l'extrémité en forme de pelle pour déloger et retirer la neige ou la glace qui s'est accumulée dans la goulotte.



AVERTISSEMENT: Ne dégagez jamais la neige ou la glace près de la tarière ou dans la goulotte à la main.

Barres de coupe (sur certains modèles)

Utilisez les barres de coupe quand la souffluse travaille dans de gros amoncellements de neige.

Les barres de coupe sont assemblées à l'envers sur l'habitacle de la tarière sur certains modèles. Enlevez les boulons ordinaires en dévissant les écrous à six pans qui les retiennent, puis assemblez les barres de la coupe à la position correcte avant de vous servir de la souffluse. Voir la Figure 12.

(pour changer de vitesse ou de sens de déplacement) sans avoir au préalable débrayé la commande de la transmission et avoir complètement arrêté la souffluse. Ceci pourrait causer l'usure prématurée de la transmission de la souffluse.

Pour embrayer la tarière

1. Pour embrayer la tarière et pour commencer à projeter la neige, pressez la poignée d'embrayage gauche de la tarière contre le guidon gauche. Lâchez la poignée pour arrêter la tarière.

Pour modèles avec le mécanisme de blocage en option seulement :

2. Alors que la commande de la tarière est embrayée, pressez la commande de la transmission pour avancer. Lâcher-la pour arrêter. Ne **changez pas** de vitesse quand la commande de la transmission est embrayée.

REMARQUE: Cette même poignée permet de bloquer la commande de la tarière pour permettre au conducteur puisse orienter la goulotte sans cesser de projeter la neige.

3. Débrayez la commande de la tarière ; le mécanisme de blocage maintient la tarière engagée jusqu'à ce que la commande de la transmission soit débrayée.
4. Lâchez la commande de la transmission pour arrêter la tarière et les roues. Pour arrêter la tarière les deux poignées doivent être débrayées.

Test de la commande de la tarière

IMPORTANT: Faites ce test avant d'utiliser la souffluse pour la première fois et au début de chaque saison d'hiver.

Vérifiez le réglage de cette commande de la façon suivante :

- Débrayez la commande et placez-la en position «relevée». Le câble doit présenter très peu de jeu SANS toutefois être tendu.
- Choisissez un endroit bien aéré et faites démarrer la souffluse selon les instructions dans le paragraphe «pour faire démarrer le moteur».
- Vérifiez que l'obturateur est réglé à la position rapide.
- Tenez-vous à la position de conduite (derrière la souffluse) et enclenchez la tarière.
- Attendez environ dix secondes avant de débrayer la tarière. Répétez cette opération plusieurs fois.
- Laissez tourner le moteur à plein régime et gardez la manette de commande de la tarière à la position débrayée et « relevée ». Placez-vous devant la machine.
- Vérifiez que la tarière est totalement immobilisée et qu'aucune pièce ne bouge.

IMPORTANT: Si la tarière n'est pas complètement immobile, retournez immédiatement à la position de conduite et arrêtez le moteur. Attendez que **TOUTES** les pièces se soient immobilisées avant d'ajuster à nouveau le câble de la tarière.

- Pour ajuster à nouveau le câble de commande, desserrez le contre-écrou à six pans du raccord en «Z» du câble de commande de la tarière. Faites tourner la virole du câble dans le sens contraire aux aiguilles d'une montre pour obtenir plus de jeu. Resserrez ensuite le contre-écrou à six pans. Voir la Figure 11.
- Répétez le test pour vérifier l'ajustement de la commande de la tarière.

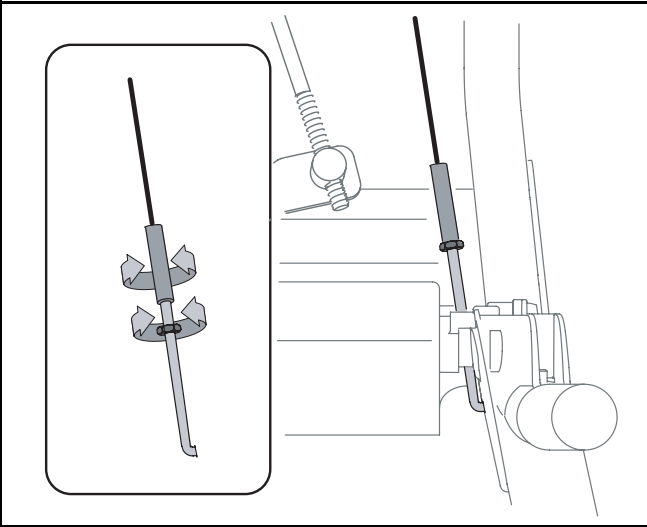


Figure 11

Pour projeter la neige

ATTENTION: Vérifiez que la zone de travail est bien dégagée et retirez les débris le cas échéant.

1. Faites démarrer le moteur en suivant les instructions.
2. Orientez la goulotte d'éjection dans la direction voulue (jamais vers des spectateurs et/ou bâtiments) avec la commande de la goulotte.
3. Choisissez la vitesse adaptée aux conditions présentes.

AVERTISSEMENT: Ne déplacez jamais le levier de changement de vitesse sans avoir d'abord débrayé la commande de la transmission.



4. Embrayez les commandes de la tarière et de la transmission selon les instructions indiquées précédemment.
5. Le mécanisme de blocage permet de retirer la main gauche de la commande de la tarière. Lors du premier passage dans la neige, choisissez la vitesse adaptée à la profondeur et aux conditions de la neige.

- IMPORTANT:** Ne déplacez JAMAIS le levier de vitesses
- Arrêtez le guidon pour avancer la souffeuse; lâchez-la pour arrêter.
 - Pressez la commande de la transmission contre le guidon et les tarières tourneront; lâchez-la pour arrêter les tarières.
 - Pressez la commande de la tarière contre le guidon et les tarières tourneront; lâchez-la pour arrêter les tarières.
- IMPORTANT:** Utilisez une vitesse lente jusqu'à ce que vous soyez habitué.

- IMPORTANT:** Utilisez une vitesse lente jusqu'à ce que vous soyez habitué.
- aux conditions présentes.
- à une des six positions de marche avant (F) ou à l'une des deux positions de marche arrière (R). Choisissez la vitesse adaptée
- IMPORTANT:** Utilisez une vitesse lente jusqu'à ce que vous soyez habitué.
- Avec l'obturateur à la position Fast (lapin), placez le levier de changement de vitesse à l'une des six positions de marche avant (F) ou à l'une des deux positions de marche arrière (R). Choisissez la vitesse adaptée aux conditions présentes.



Pour embrayer la transmission

1. Enlevez toute la neige et l'humidité du couvercle du carburateur et près des manettes de commande. Déplacez celle-ci plusieurs fois.
- REMARQUE:** Rangez la clé dans un endroit sûr. Il n'est pas possible de faire démarrer le moteur sans la clé.

2. Retirez la clé de contact.
 3. Placez la manette de l'obturateur à la position STOP.
 4. Quand le moteur tourne, tirez rapidement et fermement sur la corde du démarreur à trois ou quatre reprises. Vous entendrez un claquement qui ne risque pas d'endommager le moteur.
- Démarrage à lancer**

- REMARQUE:** Rangez la clé dans un endroit sûr. Il n'est pas possible de faire démarrer le moteur sans la clé.

1. Enlevez toute la neige et l'humidité du couvercle du carburateur et près des manettes de commande. Déplacez celle-ci plusieurs fois.
 2. Retirez la clé de contact.
 3. Placez la manette de l'obturateur à la position STOP.
 4. Quand le moteur tourne, appuyez sur le bouton du démarreur et faites tourner le démarreur pendant quelques secondes. Le bruit particulier émis par le démarreur ne risque pas d'endommager le démarreur du moteur.
 5. Débranchez d'abord le fil électrique de la prise de courant avant de débrancher l'autre extrémité de la souffeuse.
 6. Placez la manette de l'obturateur à la position STOP.
 7. Retirez la clé de contact.
 8. Enlevez toute la neige et l'humidité du couvercle du carburateur et près des manettes de commande. Déplacez celle-ci plusieurs fois.
- Démarrage électrique (sur certains modèles)**
1. Branchez le fil électrique dans le démarreur électrique, sur le moteur. Branchez l'autre extrémité du fil dans une prise de courant de 120 volts C.A.
 2. Quand le moteur tourne, appuyez sur le bouton du démarreur et faites tourner le démarreur pendant quelques secondes. Le bruit particulier émis par le démarreur ne risque pas d'endommager le démarreur du moteur.
 3. Débranchez d'abord le fil électrique de la prise de courant avant de débrancher l'autre extrémité de la souffeuse.
 4. Placez la manette de l'obturateur à la position STOP.
 5. Retirez la clé de contact.
 6. Enlevez toute la neige et l'humidité du couvercle du carburateur et près des manettes de commande. Déplacez celle-ci plusieurs fois.

- REMARQUE:** N'AMORCEZ PAS un moteur chaud après un arrêt bref.
- Appuyez sur le bouton du démarreur jusqu'à ce que le moteur se mette en route.
 - Quand le moteur démarre, lâchez le bouton du démarreur immédiatement.
 - Au fur et à mesure que le moteur chauffe, tournez lentement le bouton du volet de départ vers la position SANS VOLET. Si le moteur hésite, tournez à nouveau le bouton du volet de départ à la position VOLET PLEIN, puis revenez lentement à la position SANS VOLET.
 - Débranchez d'abord le fil électrique de la prise de courant avant de débrancher l'autre extrémité de la souffeuse.
 - Appuyez sur le bouton du démarreur jusqu'à ce que le moteur se mette en route.
 - Quand le moteur démarre, lâchez le bouton du démarreur immédiatement.
 - Au fur et à mesure que le moteur chauffe, tournez lentement le bouton du volet de départ vers la position SANS VOLET. Si le moteur hésite, tournez à nouveau le bouton du volet de départ à la position VOLET PLEIN, puis revenez lentement à la position SANS VOLET.
 - Tirez lentement sur la poignée du démarreur à l'arrêt jusqu'à ce que vous sentiez une légère résistance. Laissez la corde s'enrouler lentement. Tirez à nouveau, mais rapidement.
- IMPORTANT:** Ne laissez pas la poignée revenir brusquement contre le moteur, mais laissez-la s'enrouler lentement tout en le retenant.
- Au fur et à mesure que le moteur chauffe, tournez lentement le bouton du volet de départ vers la position SANS VOLET. Si le moteur hésite, tournez à nouveau le bouton du volet de départ à la position VOLET PLEIN, puis revenez lentement à la position SANS VOLET.
- ## Arrêt du moteur
- Laissez tourner le moteur pendant quelques minutes pour sécher toute l'humidité qui aurait pu s'y accumuler.
 - Pour empêcher le démarreur de geler, procédez comme suit avant d'arrêter le moteur:

CHAPITRE 4 : FONCTIONNEMENT

Poignée de démarreur à lanceur

La poignée du démarreur à lanceur est utilisée pour mettre en marche le moteur manuellement.

Bouton de démarreur électrique (le cas échéant)

Appuyez sur le bouton du démarreur électrique pour enclencher le démarreur électrique du moteur quand il est branché à une prise de courant de 120 volts.

Fiche du démarreur électrique (le cas échéant)

La neige dirigée dans l'habitacle de la tarrière est évacuée par la goulotte.

Goulotte

Lorsque les tarrières sont embrayées, elles tournent et dirigent la neige vers l'habitacle.

Tarrières

Il exige l'emploi d'une rallonge électrique pour l'extérieur à fiche à 3 broches (fournie avec la souffluse) et d'une prise de courant de 120 volts.

Avant le démarrage

AVERTISSEMENT: Lisez, comprenez, et suivez toutes les instructions et les consignes sur la machine et dans ce notice avant le fonctionnement.

Pleins d'essence et d'huile

Vérifiez le niveau d'huile et d'essence et ajouter au besoin. Suivez les instructions fournies dans la notice d'utilisation du moteur qui accompagne la souffluse. **Veillez lire ces instructions attentivement.**

AVERTISSEMENT: Faites très attention en manipulant de l'essence. L'essence est extrêmement inflammable et les vapeurs sont explosif. Ne faites jamais le plein d'essence à l'intérieur, pendant que le moteur tourne ou quand le moteur est chaud. Éteignez toute cigarette ou pipe, tout cigare ou toute autre source incandescente.

Pour faire démarrer le moteur

- Branchez le fil de la bougie sur cette dernière. Vérifiez que la boucle métallique, au bout du fil de la bougie (dans la gaine en caoutchouc), est bien attachée à l'embout métallique de la bougie. Assurez-vous que les commandes de la tarrière et de l'entraînement sont débrayées (relâchées).
- Placez la manette de l'obturateur à la position RAPIDE. Enfoncez la clé dans la fente. Assurez-vous qu'elle se met bien en position. **Ne tourez pas la clé.**

REMARQUE: Le moteur ne peut pas démarrer à moins que la clé soit insérée dans le commutateur d'allumage.

- Vérifiez que le câblage de votre maison comporte trois fils reliés à la terre. Si vous n'êtes pas certain, renseignez-vous auprès d'un électricien.

AVERTISSEMENT: Si le câblage de votre maison n'est pas un système à trois fils reliés à la terre, n'utilisez en aucun cas le démarreur électrique.

AVERTISSEMENT: Ce démarreur (en option) est équipé d'un fil et d'une prise électrique à trois fils et il est conçu pour fonctionner sur un courant de 120 volts, C.A. Il doit toujours être relié à la terre pour éviter la possibilité d'une décharge électrique qui pourrait blesser le conducteur. Suivez soigneusement toutes les instructions avant d'utiliser le démarreur électrique.

AVERTISSEMENT: Si votre système est relié à la terre, mais s'il n'y a pas de prise à trois trous à l'endroit où le démarreur doit normalement être utilisé, n'utilisez en aucun cas ce démarreur électrique.

Si vous avez une prise de courant à trois trous relié à la terre, procédez comme suit:

- Branchez le fil électrique dans le démarreur, sur le moteur. Branchez l'autre extrémité du fil dans une prise de courant de 120 volts C.A. à trois trous mise à la terre dans un endroit bien-aéré.
- Tournez le bouton du volet de départ à la position VOLET PLEIN (démarrage à froid).

REMARQUE: Si le moteur est chaud, tournez le volet de départ à la position SANS VOLET au lieu de VOLET PLEIN.

- Appuyez deux ou trois fois sur le bouton de l'amorceur pour le démarrage à froid. Couvrez

L'espace entre la lame plate et le sol peut être ajusté en ajustant les patins. Pour débayer complètement la neige, placez les patins à la position basse. Utilisez les positions intermédiaire ou haute lorsque la surface à débayer est irrégulière. Vérifiez que toute la surface inférieure des patins est en contact avec le sol pour éviter leur usure inégale.

Patins

L'outil sert à dégager une goulotte bouchée. Consultez le chapitre **Fonctionnement** pour plus de renseignements concernant cet outil.

AVERTISSEMENT: Ne dégagez jamais une goulotte bouchée à la main. Arrêtez le moteur et restez derrière le guidon jusqu'à ce que toutes les pièces se soient immobilisées avant d'essayer de dégager la goulotte.



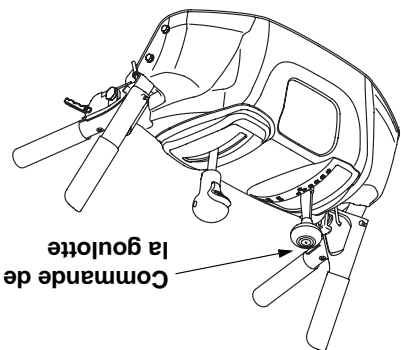
L'outil de dégagement de la goulotte

La commande de direction de la goulotte est placée sur le côté gauche de la souffeuse. Pour changer la direction dans laquelle la neige est projetée, tournez la manivelle de la commande de direction de la goulotte comme suit:

- Tournez la manivelle dans le sens des aiguilles d'une montre pour décharger la neige à gauche.
- Tournez la manivelle en sens inverse pour décharger la neige à droite.



Commande de direction de la goulotte (en option)



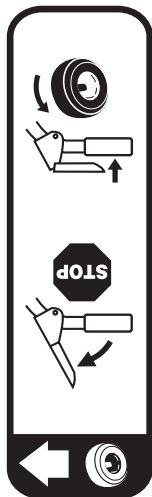
Cette manette à 2 fonctions permet de contrôler la distance de projection de la neige par la goulotte. Inclinez la manette vers l'avant ou vers l'arrière pour ajuster la *distance de projection*.

Commande de la goulotte à 2 fonctions (en option)

Cette manette à 4 fonctions permet de contrôler la direction et la distance de projection de la neige par la goulotte. Appuyez sur le bouton et pivotez la manette à droite ou à gauche pour orienter la goulotte dans la direction de projection de la neige. Inclinez la manette vers l'avant ou vers l'arrière pour ajuster la *distance de projection*.

Commande de la goulotte à 4 fonctions (en option)

IMPORTANT: N'essayez pas de tourner la clé.



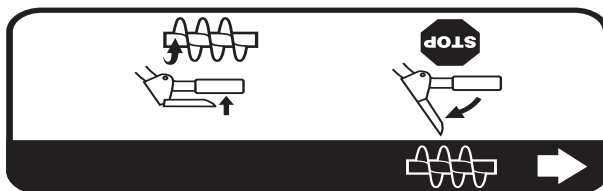
La clé de contact est un dispositif de sécurité. Il doit être complètement enfoncée pour mettre le moteur en marche. Retirez la clé quand la souffeuse n'est pas utilisée.

Clé de contact

Cette commande se trouve sur le guidon **droite**. Serrez la commande contre le guidon pour embrayer les roues. Lâchez-la pour les arrêter.

Commande de l'entraînement

Elle se trouve sur le guidon **gauche**. Serrez la commande de la tarière contre le guidon pour embrayer la tarière et pour débayer la neige. Lâchez-la pour arrêter.



Commande de la tarière

SECTION 3: COMMANDES DE LA SOUFFLEUSE

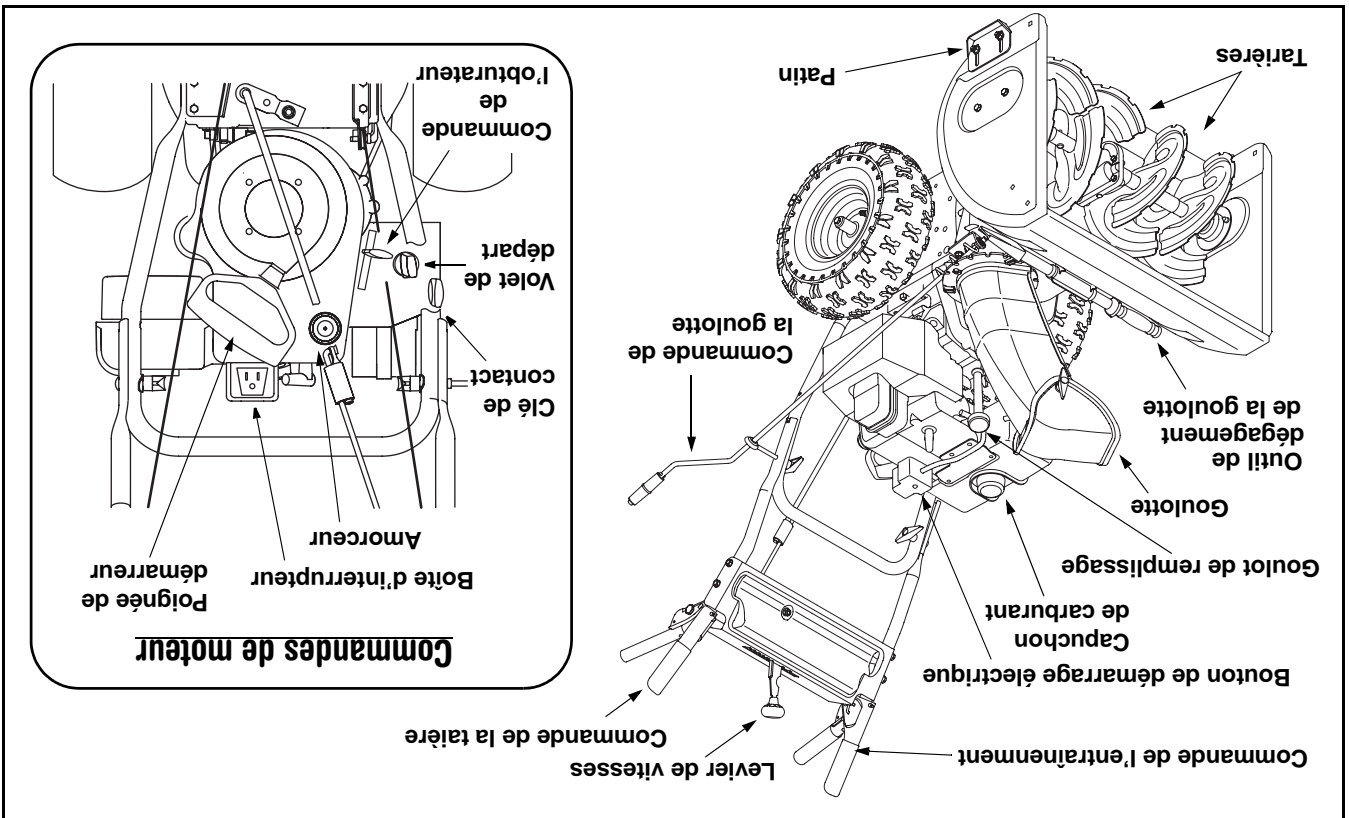


Figure 10



AVERTISSEMENT: Lisez, comprenez et suivez toutes les instructions et les consignes sur la machine et dans ce notice avant le fonctionnement.

REMARQUE: Consultez la notice d'utilisation du moteur emballée séparément avec votre souffleuse pour avoir plus de renseignements concernant le démarrage et les commandes du moteur.

Levier de vitesses

Il se trouve au milieu du tableau de bord et sert à choisir la vitesse et la direction de déplacement.

Marche avant

La souffleuse a six marches avant (F). La position 1 est la plus lente et la position 6 la plus rapide.

Marche arrière

La souffleuse a deux marches arrière (R2), R1 étant la plus lente des deux.

Volet de départ



Il est possible de vérifier le niveau d'huile à moteur et de faire le plein par le goulot de remplissage.

Plein d'huile

L'enfoncement du bouton d'amorçage force le carburant directement dans le carburateur du moteur en temps froid.

Amorceur

La commande de l'obturateur est trouvée sur le moteur. Il sert à régler le régime du moteur et couper le moteur quand il est abaissé complètement.

Commande de l'obturateur

Le volet de départ est trouvé sur l'arrière du moteur et est activé en tournant le bouton dans le sens des aiguilles d'une montre. Le bouton du volet de départ ferme la plaque sur le carburateur et facilite le démarrage du moteur.



Outil de dégagement de la neige

1. L'outil de dégagement de la goulotte est attaché sur l'arrière de l'habitacle de la tarière pour l'expédition. Coupez l'attache-fil et retirez la rallonge électrique (si équipée) avant de faire démarrer la souffluse.

Derniers réglages

Après avoir assemblé la souffluse, vérifiez les réglages selon les instructions ci-dessous et faites les derniers réglages nécessaires **avant** de mettre la souffluse en marche.

ATTENTION: Le non-respect de ces instructions peut endommager la souffluse.



AVERTISSEMENT: Avant d'utiliser votre souffluse, référez-vous à «Test de la commande de la tarière» à la page 13. Lisez et suivez soigneusement les instructions et effectuez tous les ajustements pour vérifier que votre souffluse fonctionne sans risque et correctement.

Pression des pneus

- Avant l'utilisation, vérifiez la pression des pneus et réduisez la pression dans les deux pneus à entre 15 et 20 lb/poz.

REMARQUE: Si la pression n'est pas égale dans tous les pneus, la machine risque de tirer d'un côté plus que de l'autre.

Patins

Déterminez l'emplacement de la lame plate et des patins à la Figure 10. Il est possible d'ajuster l'espace entre la lame plate et le sol, consultez le chapitre «Réglage» de cette notice d'utilisation.

IMPORTANT: Il est déconseillé d'utiliser la souffluse sur une surface recouverte de gravier qui, s'il est projeté par la tarière, peut causer des blessures corporelles et des dégâts matériels.

Si pour une raison quelconque, vous devez utiliser la souffluse sur une surface recouverte de gravier, réglez les patins à la position la plus haute pour assurer un dégagement maximal entre le sol et la lame plate.

Fil du phare (en option)

1. Vérifiez que le fil du phare est enroulé autour du guidon droit, comme à la Figure 9.
2. Vérifiez que le fil du phare est branché dans le fil de l'alternateur sous le réservoir d'essence. Voir l'encadré de la Figure 9.

Figure 8

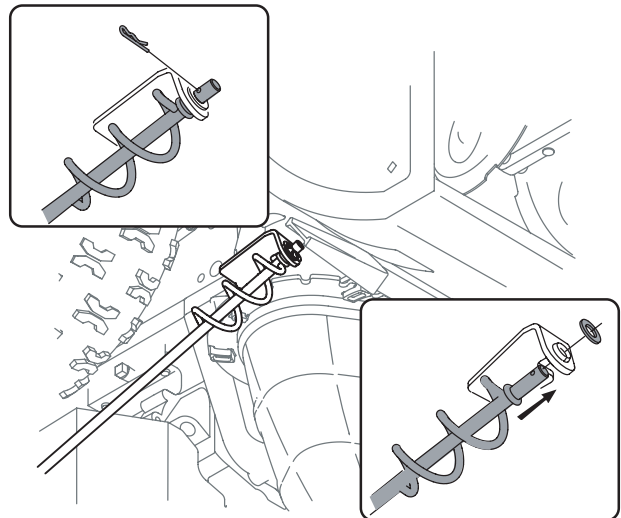
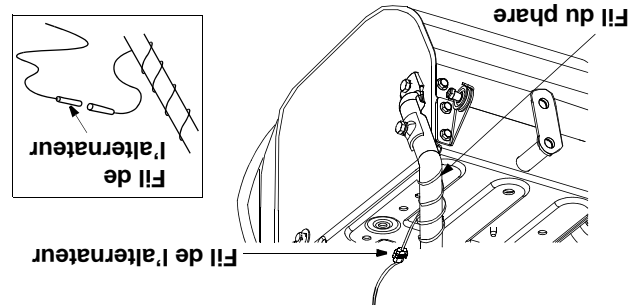


Figure 9

REMARQUE: Les roues ne sont pas représentées pour plus de clarté.

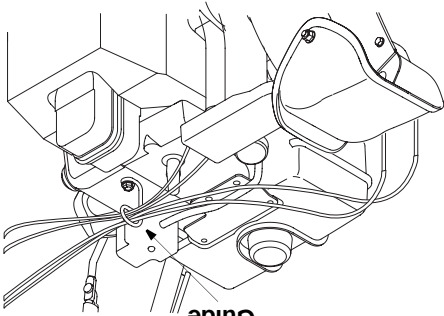


REMARQUE: Le support intérieur peut être ajusté, si besoin est. Référez-vous à « Réglage du support de la goulotte » dans le chapitre « Réglage ».

1. Retirez la rondelle plate et la goupille-épingle de l'extrémité de la manivelle de la goulotte. Enfoncez l'extrémité de la manivelle dans le support intérieur et maintenez-la en place avec la rondelle plate et la goupille-épingle retiré plus tôt. Voir la Figure 8.

Modèles avec la manivelle de la goulotte

Figure 7



- Glissez les câbles allant du tableau de bord à la goulotte dans le guide qui se trouve sur le moteur. Voir la Figure 7.

Pour modèles avec commande de la goulotte à 2 fonctions

2. Positionnez la goulotte pour que l'ouverture de la goulotte face à l'avant de la machine.
3. Insérez le boîtier de commande de la goulotte sur le tube court de la goulotte. Insérez l'autre extrémité du boîtier dans le tube de support de la goulotte, comme à la Figure 6, avec les câbles vers l'utilisateur.
4. Faites passer l'axe de chape retiré plus haut, dans les trous du boîtier de commande et dans la tige de soutien de la goulotte. Maintenez en place avec la goupille-épingle. Voir la Figure 5.

Figure 6

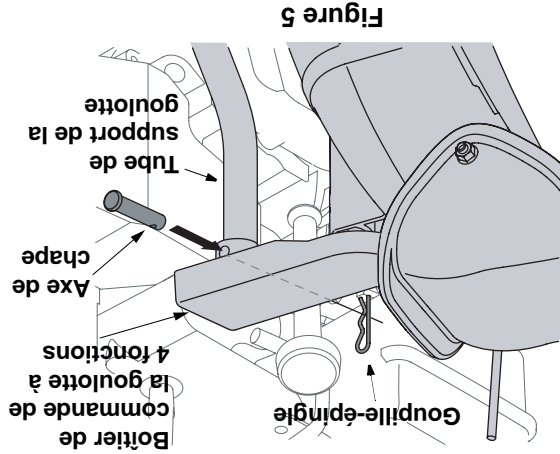
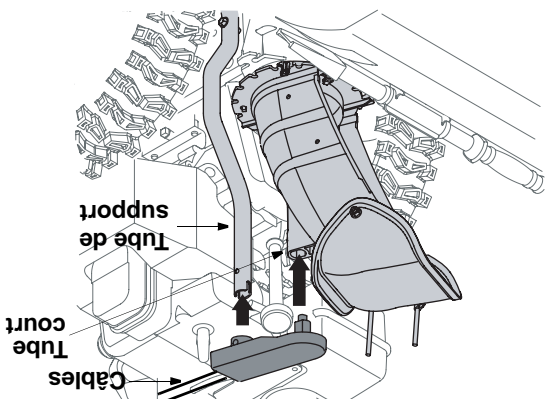


Figure 5

1. Dégagez la goupille-épingle de l'axe de chape sur le tube de support de la goulotte. Ne jetez pas la boulonnerie.

Figure 4

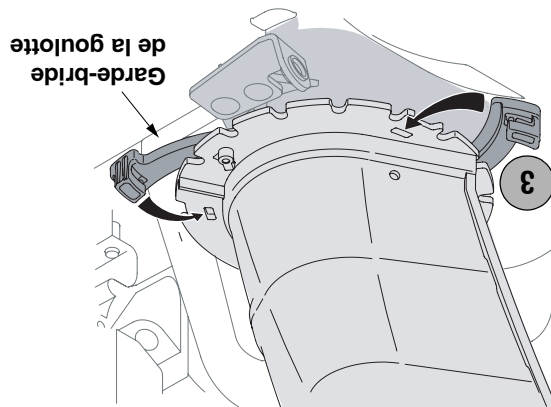
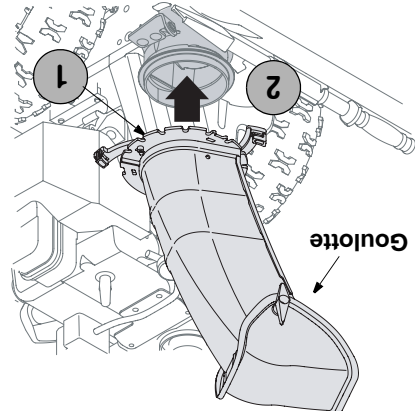


Figure 3



CHAPITRE 2: MONTAGE

REMARQUE: La souffluse a été expédiée avec le plein d'huile mais SANS ESSENCE. Après l'assemblage, veuillez consulter la notice d'utilisation du moteur quant au carburant et à l'huile à moteur à employer.

Déballage du carton

- Découpez le carton en suivant les coins, puis étalez-le. Sortez les garnitures.
- Sortez toutes les pièces détachées qui accompagnent la souffluse (par ex. la notice d'utilisation).
- Sortez la machine du carton. Vérifiez qu'il ne reste plus de pièces ni de documentation dans la machine.

Pièces détachées

Cette souffluse a été assemblée à l'usine à l'exception des pièces ci-dessous, placez en vrac dans la caisse.

- a. Cordon électrique du démarrage (en option)
- b. Goupilles de cisaillement et goupilles fendues

Avant l'assemblage

Débranchez le fil de la bougie et mettez le à la masse contre le moteur, pour empêcher tout démarrage accidentel.

REMARQUE: Les côtés droit et gauche de la souffluse sont déterminés du poste de conduite, derrière la souffluse. Des exceptions, le cas échéant, seront indiquées.

REMARQUE: Cette notice d'utilisation couvre plusieurs modèles, les panneaux, phares et les manivelles de la goulotte sont quelques dispositifs qui peuvent changer par le modèle. Pas toutes les traits discutées dans ce notice sont applicables à tous les modèles de souffluse.

Assemblage de la souffluse

Guidon

1. Vérifiez que tous les câbles sont enfoncés dans les rainures des galets de guidage qui se trouvent à l'arrière de la souffluse, avant de relever le guidon supérieur jusqu'à ce qu'il s'emboîte sur le guidon inférieur. Voir la Figure 1.
2. Glissez le raccord de la tige de commande du changement de vitesse sur l'extrémité de la tige de commande inférieure. Frappez doucement sur le raccord pour le bloquer sur la tige de commande inférieure. Voir la Figure 2.
3. Serrez les deux boutons pour bien maintenir le guidon supérieur sur le guidon inférieur. Voir la Figure 1.

Figure 1.

REMARQUE: Si le raccord n'est pas installé correctement, la tige de commande du changement de vitesse risque de pivoter et il ne sera pas possible de changer la vitesse ou la direction de déplacement de la souffluse.

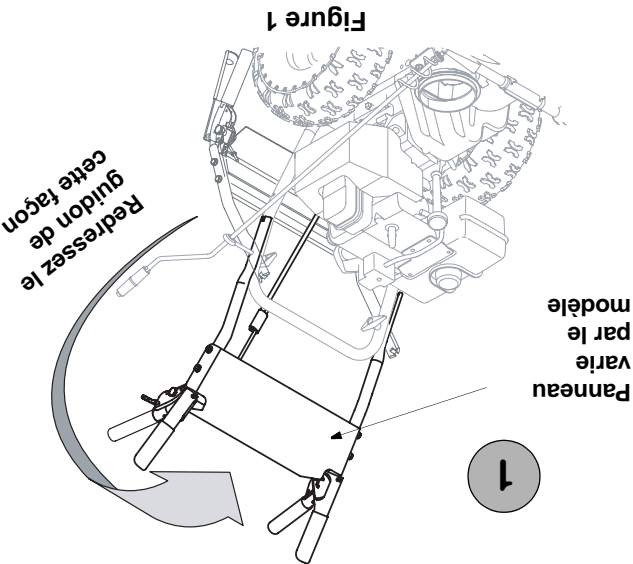


Figure 1

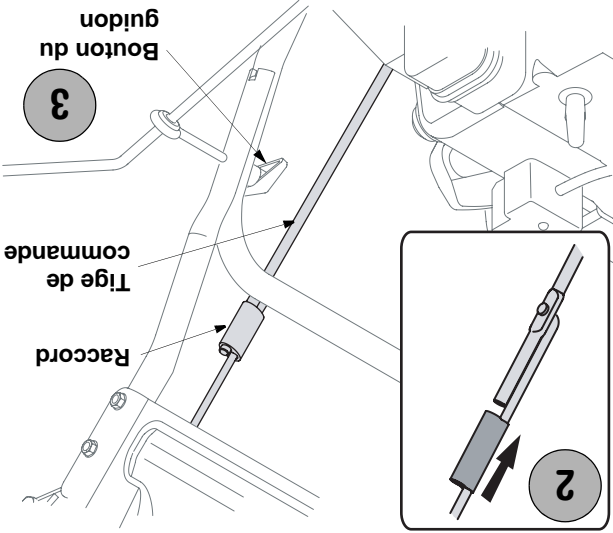
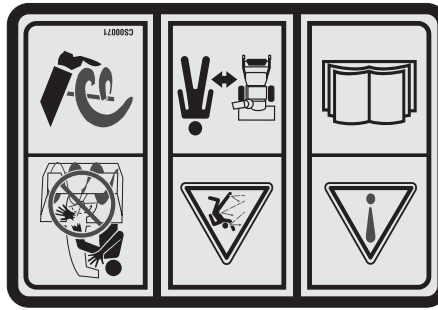
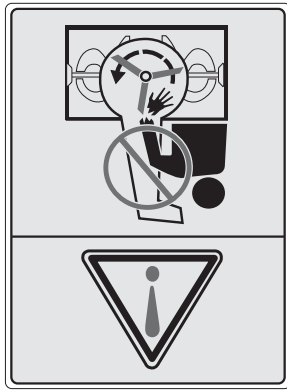


Figure 2

Goulotte (tous les modèles)

1. Appliquez un lubrifiant léger (ex. huile 3-en-1) à la base de la goulotte.
2. Positionnez la goulotte sur le rebord de l'adaptateur. Voir la Figure 3.
3. L'une des extrémités du guide de la goulotte est déjà fixée sur le collet de la goulotte. Faites pivoter l'autre extrémité pour l'aligner avec le collet de la goulotte et poussez pour le bloquer en position. Voir la Figure 4. Répétez le processus pour installer les autres guides.



8. Respectez les règlements concernant l'élimination des déchets et liquides qui risquent de nuire à la nature et à l'environnement.
 9. Laissez la machine fonctionner pendant quelques minutes pour éliminer la neige de la tarière et éviter que l'ensemble de la tarière et de la turbine ne gèle avant de remettre la souffluse.
 10. Ne remisez jamais la machine ou les bidons d'essence à l'intérieur s'il y a une flamme, une étincelle ou une veilleuse (d'un chauffe-eau, un radiateur, un fourneau, un sèche-linge ou autre appareil à gaz).
 11. Consultez toujours la notice d'utilisation quant aux instructions de remisage hors-saison.
- Votre responsabilité**
- Cette machine ne doit être utilisée que par des personnes qui peuvent lire, comprendre et respecter les avertissements et instructions qui figurent dans cette notice et sur la machine.
4. vous assurer qu'elle n'est pas endommagée.
 - Ne modifiez pas le réglage du régulateur et ne laissez pas le moteur s'emballer, ce qui peut être dangereux.
 5. Les plaques de raclage et les patins de la souffluse s'usent avec l'usage. Par mesure de sécurité, vérifiez souvent tous les composants et remplacez-les par des pièces authentiques seulement. L'utilisation de pièces qui ne sont pas conformes aux spécifications de l'équipement d'origine peuvent donner lieu à de mauvaises performances et compromettre la sécurité de l'utilisateur.
 6. Vérifiez fréquemment que les commandes fonctionnent bien et faites les réglages nécessaires. Consultez le chapitre « Réglages » dans la notice d'utilisation de la machine.
 7. Prenez soin des étiquettes de sécurité et d'instructions et remplacez-les au besoin.

10. Frévoyez de travailler en évitant de projeter la neige vers des fenêtres, murs, voitures, etc. car les débris peuvent ricocher et causer des blessures graves ou des dégâts matériels.
11. Ne dirigez jamais la neige vers des enfants, des spectateurs et des animaux de compagnie et ne laissez jamais la neige trop rapidement.
12. Ne fatiguez pas la machine en essayant de débayer la neige trop rapidement.
13. N'utilisez pas la machine si la visibilité est mauvaise ou si la lumière est insuffisante. Gardez toujours un bon équilibre et tenez fermement le guidon.
14. Débrayez la commande de l'ensemble de la tarière et de la turbine pour transporter la machine et lorsqu'elle n'est pas utilisée.
15. Ne déplacez jamais rapidement la souffluse sur des surfaces glissantes. Soyez prudent en reculant.
16. Arrêtez le moteur, débranchez le fil de la bougie et mettez-le à la terre contre le moteur si la machine commence à vibrer de façon anormale. Vérifiez que la machine n'est pas endommagée. Réparez tout dégât éventuel avant de la remettre en marche.
17. Débrayez toutes les commandes et arrêtez le moteur avant de quitter le poste de conduite. Attendez que la tarière/turbine se soit complètement immobilisée avant de déboucher la goulotte d'éjection, de faire un ajustement quelconque ou d'examiner la machine.
18. Ne placez jamais vos mains dans la goulotte d'éjection ou près de l'admission. Utilisez toujours un outil pour déboucher l'ouverture de la goulotte. N'utilisez que des accessoires homologués par le fabricant de la machine. Veuillez lire attentivement, bien comprendre et suivre les instructions fournies avec les accessoires homologués.
20. Faites toujours preuve de bon sens dans des situations qui n'ont pas été abordées par cette notice d'utilisation. Adressez-vous au service après-vente pour obtenir le nom du concessionnaire le plus proche de chez vous.

ENTRETIEN ET REMISAGE

1. Ne modifiez jamais les dispositifs de sécurité. Vérifiez souvent qu'ils fonctionnent correctement.
 2. Débrayez toutes les commandes et arrêtez le moteur avant de quitter le poste de conduite. Attendez que la tarière/turbine se soit complètement immobilisée avant de déboucher la goulotte d'éjection, de faire un ajustement quelconque ou d'examiner la machine.
 3. Vérifiez régulièrement que les boulons et vis sont bien serrés et maintenez la machine en bon état de
1. N'enlevez jamais le capuchon d'essence et n'ajoutez pas d'essence pendant que le moteur tourne.
 - e. Laissez le moteur refroidir pendant au moins deux minutes avant de faire le plein.
 - f. Ne faites jamais déborder le réservoir.
 - Laissez un espace d'un demi-pouce environ pour permettre l'expansion du carburant.
 - g. Resserrez bien le capuchon d'essence.
 - h. En cas de débordement, essuyez toute éclaboussure sur le moteur et la machine.
 - Déplacez la machine et attendez 5 minutes avant de la remettre en marche.
 - i. Ne remisez jamais la machine ou les bidons d'essence à l'intérieur s'il y a une flamme, une étincelle ou une veilleuse (d'un chauffe-eau, un radiateur, un fourneau, un sèche-linge ou autre appareil à gaz).
 - j. Laissez la machine refroidir pendant au moins 5 minutes avant de la remiser.
1. Ne placez jamais vos mains ou vos pieds près d'une pièce en mouvement, dans l'habitacle de la tarière ou de la turbine ou dans la goulotte d'éjection. Les pièces en mouvement peuvent amputer mains et pieds.
 2. La manette de commande de l'ensemble de la tarière et de la turbine est un dispositif de sécurité. Ne contournez jamais son rôle ce qui rendrait dangereux l'emploi de la machine et pourrait causer des blessures corporelles.
 3. Toutes les manettes de commande doivent fonctionner facilement dans les deux directions et revenir automatiquement à la position de débrayage lorsqu'elles sont relâchées.
 4. Ne travaillez jamais sans la goulotte d'éjection ou si elle est endommagée. Laissez tous les dispositifs de sécurité en place et assurez-vous qu'ils sont en bon état.
 5. Ne faites jamais fonctionner la machine dans un local clos ou mal aéré car les gaz d'échappement du moteur contiennent du monoxyde de carbone, un gaz inodore très dangereux.
 6. Ne vous servez pas de la machine après avoir bu des boissons alcoolisées ou après avoir pris des médicaments.
 7. Le silencieux et le moteur deviennent très chauds et peuvent causer des brûlures. Ne les touchez pas.
 8. Soyez extrêmement prudent à proximité des routes, allées ou chemins en gravier. Faites attention aux dangers non évidents et à la circulation. Ne transportez pas de passagers.
 9. Faites très attention en changeant de direction et en travaillant sur une pente.

UTILISATION

CHAPITRE 1: IMPORTANT CONSIGNES DE SÉCURITÉ



AVERTISSEMENT: Ce symbole attire votre attention sur des consignes de sécurité importantes qui, si elles ne sont pas respectées, peuvent mettre en danger non seulement votre personne et vos biens, mais aussi ceux d'autrui. Priez de lire toutes les instructions figurant dans cette notice d'utilisation avant d'essayer de vous servir de cette machine. Le non-respect de ces instructions peut entraîner des blessures corporelles. Respectez l'avertissement qui accompagne ce symbole.



AVERTISSEMENT: Les gaz d'échappement de ce produit contiennent des produits chimiques reconnus dans l'État de Californie comme causant le cancer, des anomalies congénitales ou d'autres problèmes liés à la reproduction.



DANGER: Cette machine doit être utilisée conformément aux consignes de sécurité qui figurent dans la notice d'utilisation. Comme avec tout appareil motorisé, une négligence ou une erreur de la part de l'utilisateur peut entraîner des blessures graves. Cette machine peut amputer mains et pieds et projeter des débris. Par conséquent, le non-respect de ces consignes peut causer des blessures corporelles graves et même mortelles.

Formation

1. Assurez-vous de lire et de bien comprendre toutes les instructions qui figurent sur la machine et dans la notice d'utilisation avant de la mettre en marche. Conservez cette notice d'utilisation à un endroit sûr pour toute consultation ultérieure et pour commander des pièces de rechange.
 2. Familiarisez-vous avec les commandes et la bonne utilisation de cette machine avant de vous en servir. Apprenez à arrêter la machine et à débrayer rapidement les commandes.
 3. Ne permettez jamais à des enfants de moins de 14 ans de se servir de la machine. Des adolescents plus âgés doivent lire la notice d'utilisation, bien comprendre le fonctionnement de la machine et respecter les consignes de sécurité. Ils doivent apprendre à utiliser la machine et s'en servir sous la surveillance étroite d'un adulte.
 4. Ne permettez jamais à des adultes ne connaissant pas bien le fonctionnement de la machine de s'en servir.
 5. Les objets projetés par la machine peuvent causer des blessures graves. Prévoyez de travailler en évitant de projeter la neige vers la route, des spectateurs, etc.
 6. Gardez les spectateurs, les animaux de compagnie et les enfants à une distance d'au moins 75 pieds de la machine quand elle est en marche. Arrêtez la machine si quelqu'un s'approche.
 7. Soyez toujours prudent pour ne pas glisser ou tomber, surtout en reculant.
- ## Préparation
1. Examinez soigneusement la zone à débayer et enlevez tous les paillassons, traîneaux, morceaux de bois, fils de fer et autres objets sur lesquels vous pourriez trébucher ou qui risquent d'être projetés par la tarière/turbine.
 2. Portez toujours des lunettes de sécurité en utilisant la machine ou en effectuant un réglage ou une réparation. Un objet peut en effet être projeté, ricocher et vous blesser aux yeux.
 3. Ne travaillez pas sans porter des vêtements d'hiver adéquats. Ne portez pas de bijoux, d'écharpes longues ou de vêtements amples qui risquent de se prendre dans les pièces en mouvement. Portez des chaussures qui amélioreraient votre stabilité sur des surfaces glissantes.
 4. Utilisez une rallonge à 3 fils et une prise de courant mises à la terre avec toutes les machines équipées d'un moteur à démarrage électrique.
 5. Réglez la hauteur de la tarière pour éviter tout contact avec les surfaces en gravier ou en pierre concassée.
 6. Débrayez toutes les commandes avant de mettre le moteur en marche.
 7. N'essayez jamais de régler le moteur pendant qu'il tourne (à moins d'indications contraires de la part du fabricant).
 8. Laissez le moteur et la machine s'habituer à la température extérieure avant de commencer à débayer.
 9. Pour éliminer tout risque de blessure grave, faites très attention en manipulant de l'essence. Il s'agit d'un produit extrêmement inflammable et les vapeurs risquent d'exploser. Vous pouvez être grièvement blessé si des éclaboussures sur votre peau ou sur vos vêtements s'enflamment. Rincez votre peau et changez immédiatement de vêtements.
 - a. Remisez le carburant dans des bidons homologués seulement.
 - b. Éteignez toute cigarette ou pipe, tout cigare ou toute autre source incandescente.
 - c. Ne faites jamais le plein à l'intérieur.



Veillez retourner la machine au détaillant qui vous l'a vendue, sans vous adresser d'abord au service après-vente.

Si l'assemblage de cette machine vous pose des problèmes ou pour toute question concernant les commandes, le fonctionnement ou l'entretien de la machine, appelez le service après-vente au **1-800-523-5218**.

Préparez vos numéros de modèle et de série avant de téléphoner. Bien que les deux numéros soient importants, vous ne devez enregistrer que le numéro de série avant de poursuivre votre consultation.

SERVICE APRÈS-VENTE

Le fabricant du moteur est responsable pour tout questions relié au moteur en ce qui concerne la performance, puissance, caractéristique, garantie et service. Pour plus de renseignements, consultez votre notice d'utilisation du moteur empaqueté séparément avec votre souffeuse.

INFORMATION DE MOTEUR


 YARDWORKS TORONTO, ONT. M5B 2B8 1-888-939-0992	
Model Number	XXXXXXXXXXXX
Serial Number	XXXXXXXXXXXX
Numéro de modèle	XXXXXXXXXXXX
Numéro de série	XXXXXXXXXXXX

Recopiez ici le numéro de série: _____

Recopiez ici le numéro de modèle: _____

• Pour localiser la plaque signalétique, placez-vous derrière la souffeuse à la poste de conduite et regardez à l'arrière de le châssis de la souffeuse. Ces renseignements s'avèrent très importants si vous utilisez le site web du fabricant et/ou vous devez vous adresser au service après-vente ou concessionnaire local.

Avant de procéder à l'assemblage de votre nouvelle souffeuse, localiser la plaque signalétique sur la souffeuse et recopier le numéro de modèle et la numéro de série aux endroits prévus ci-dessous. La plaque signalétique apparaît comme ci-dessous.



Cette notice d'utilisation est une pièce importante de votre nouvelle souffeuse. Elle vous fournit les renseignements nécessaires à l'assemblage, à la préparation et à l'entretien de votre machine. Veuillez donc la lire attentivement et vous assurer de bien comprendre toutes les instructions.

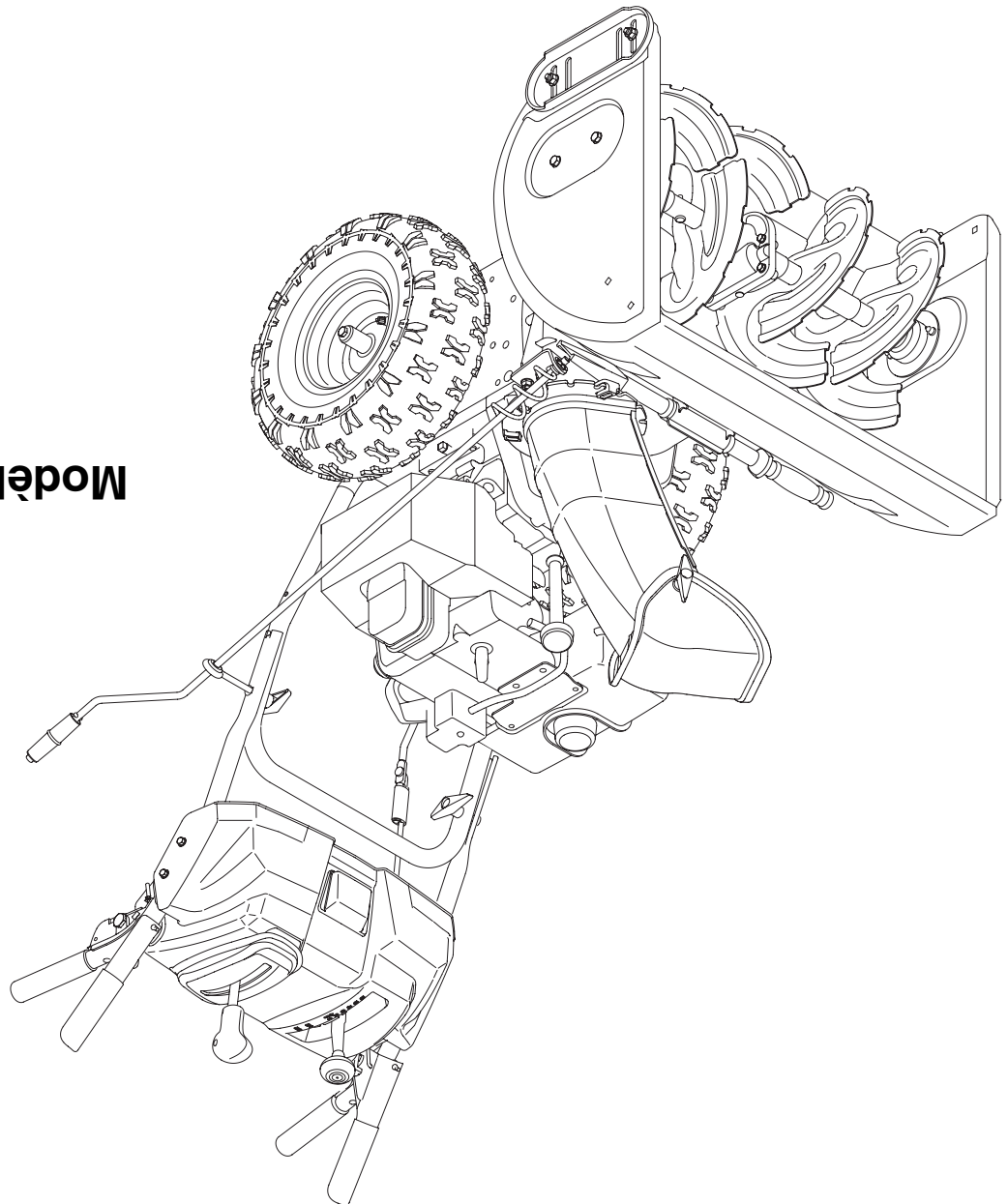
POUR TROUVER LE NUMÉRO DE MODÈLE

Chapitre	Service après-vente	2	Chapitre	Remisage hors saison	21
	Importantes consignes de sécurité	4		Guide de dépannage	22
	Montage	6		Pièces détachées (voir la page 22 de la version anglaise de cette notice	
	Commandes de la souffeuse	9		d'utilisation	
	Fonctionnement	11		Garantie	23
	Régime d'utilisation et entretien	15			

TABLE DES MATIÈRES

APPELEZ LE SERVICE APRÈS VENTE AU 1-866-523-5218

IMPORTANT: Lisez attentivement les règles de sécurité et les instructions avant de mettre en marche la machine.



Modèles: 60-3753-6
60-3754-4



Free Manuals Download Website

<http://myh66.com>

<http://usermanuals.us>

<http://www.somanuals.com>

<http://www.4manuals.cc>

<http://www.manual-lib.com>

<http://www.404manual.com>

<http://www.luxmanual.com>

<http://aubethermostatmanual.com>

Golf course search by state

<http://golfingnear.com>

Email search by domain

<http://emailbydomain.com>

Auto manuals search

<http://auto.somanuals.com>

TV manuals search

<http://tv.somanuals.com>