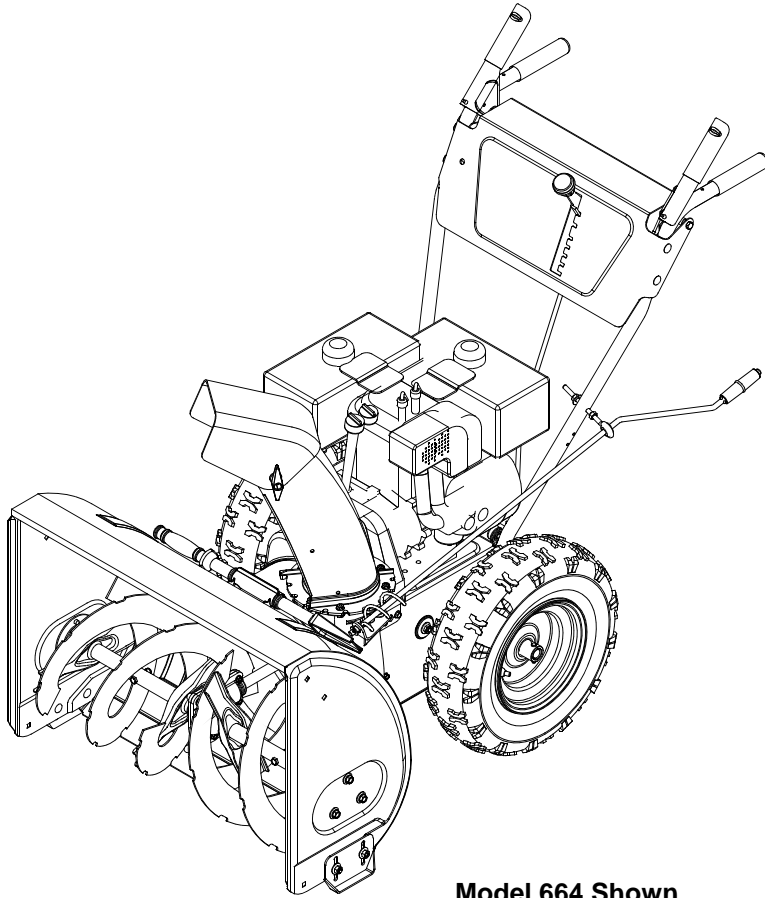


Operator's Manual



Model 664 Shown

Snow Thrower
Models
614E, 644E, 664G

IMPORTANT: READ SAFETY RULES AND INSTRUCTIONS CAREFULLY

Warning: This unit is equipped with an internal combustion engine and should not be used on or near any unimproved forest-covered, brush-covered or grass-covered land unless the engine's exhaust system is equipped with a spark arrester meeting applicable local or state laws (if any). If a spark arrester is used, it should be maintained in effective working order by the operator. In the State of California the above is required by law (Section 4442 of the California Public Resources Code). Other states may have similar laws. Federal laws apply on federal lands. A spark arrester for the muffler is available through your nearest engine authorized service dealer or contact the service department, P.O. Box 361131 Cleveland, Ohio 44136-0019.

MTD LLC, P.O. BOX 361131 CLEVELAND, OHIO 44136-0019

PRINTED IN U.S.A.

FORM NO. 770-10045H
(6/2003)

TABLE OF CONTENTS

Content	Page
Important Safe Operation Practices	3
Hardware Pack.....	5
Assembling Your Snow Thrower	6
Know Your Snow Thrower.....	11
Operating Your Snow Thrower	12
Making Adjustments.....	15
Maintaining Your Snow Thrower	17
Service	18
Troubleshooting	21
Parts List	22

FINDING MODEL NUMBER

This Operator's Manual is an important part of your new snow thrower. It will help you assemble, prepare and maintain the unit for best performance. Please read and understand what it says.



Before you start assembling your new equipment, please locate the model plate on the equipment and copy the information from it in the space provided below. The information on the model plate is very important if you need help from our Customer Support Department or an authorized dealer.

- You can locate the model number by standing behind the unit in the operating position and looking down at the rear frame below the engine. A sample model plate is explained below. For future reference, please copy the model number and the serial number of the equipment in the space below.



Copy the model number here: _____

Copy the serial number here: _____

ENGINE INFORMATION

The engine manufacturer is responsible for all engine-related issues with regards to performance, power-rating, specifications, warranty and service. Please refer to the engine manufacturer's Owner's/Operator's Manual packed separately with your unit for more information.

CALLING CUSTOMER SUPPORT

Please do NOT return the unit to the retailer from which it was purchased, without first contacting Customer Support.

Should you have difficulty assembling this product or have any questions regarding the controls, operation or maintenance of this unit, please call the Customer Support Department.



Call 1- (330) 220-4MTD (4683) or 1- (800)-800-7310 to reach a Customer Support representative. Please have your unit's model number and serial number ready when you call. See previous section to locate this information. You will be asked to enter the serial number in order to process your call.

For more details about your unit, visit our website at www.mtdproducts.com

SECTION 1: IMPORTANT SAFE OPERATION PRACTICES



This symbol points out important safety instructions, which if not followed, could endanger the personal safety and/or property of yourself and others. Read and follow all instructions in this manual before attempting to operate this machine. Failure to comply with these instructions may result in personal injury. When you see this symbol—**heed its warning**.



WARNING: Engine Exhaust, some of its constituents, and certain vehicle components contain or emit chemicals known to the State of California to cause cancer, birth defects or other reproductive harm.



DANGER: This machine was built to be operated according to the rules for safe operation in this manual. As with any type of power equipment, carelessness or error on the part of the operator can result in serious injury. This machine is capable of amputating hands and feet and throwing objects. Failure to observe the following safety instructions could result in serious injury or death.

TRAINING

1. Read, understand, and follow all instructions on the machine and in the manual(s) before attempting to assemble and operate. Keep this manual in a safe place for future and regular reference and for ordering replacement parts.
2. Be familiar with all controls and their proper operation. Know how to stop the machine and disengage them quickly.
3. Never allow children under 14 years old to operate this machine. Children 14 years old and over should read and understand the operation instructions and safety rules in this manual and should be trained and supervised by a parent.
4. Never allow adults to operate this machine without proper instruction.
5. Thrown objects can cause serious personal injury. Plan your snow-throwing pattern to avoid discharge of material toward roads, bystanders and the like.
6. Keep bystanders, helpers, pets and children at least 75 feet from the machine while it is in operation. Stop machine if anyone enters the area.
7. Exercise caution to avoid slipping or falling, especially when operating in reverse.
7. Never attempt to make any adjustments while engine is running, except where specifically recommended in the operator's manual.
8. Let engine and machine adjust to outdoor temperature before starting to clear snow.
9. To avoid personal injury or property damage use extreme care in handling gasoline. Gasoline is extremely flammable and the vapors are explosive. Serious personal injury can occur when gasoline is spilled on yourself or your clothes, which can ignite. Wash your skin and change clothes immediately.
 - a. Use only an approved gasoline container.
 - b. Extinguish all cigarettes, cigars, pipes and other sources of ignition.
 - c. Never fuel machine indoors.
 - d. Never remove gas cap or add fuel while the engine is hot or running.
 - e. Allow engine to cool at least two minutes before refueling.
 - f. Never over fill fuel tank. Fill tank to no more than ½ inch below bottom of filler neck to provide space for fuel expansion.
 - g. Replace gasoline cap and tighten securely.
 - h. If gasoline is spilled, wipe it off the engine and equipment. Move machine to another area. Wait 5 minutes before starting the engine.
 - i. Never store the machine or fuel container inside where there is an open flame, spark or pilot light (e.g. furnace, water heater, space heater, clothes dryer etc.).
 - j. Allow machine to cool at least 5 minutes before storing.

PREPARATION

1. Thoroughly inspect the area where the equipment is to be used. Remove all doormats, newspapers, sleds, boards, wires and other foreign objects, which could be tripped over or thrown by the auger/impeller.
2. Always wear safety glasses or eye shields during operation and while performing an adjustment or repair to protect your eyes. Thrown objects which ricochet can cause serious injury to the eyes.
3. Do not operate without wearing adequate winter outer garments. Do not wear jewelry, long scarves or other loose clothing, which could become entangled in moving parts. Wear footwear which will improve footing on slippery surfaces.
4. Use a grounded three-wire extension cord and receptacle for all units with electric start engines.
5. Adjust collector housing height to clear gravel or crushed rock surfaces.
6. Disengage all clutch levers before starting the engine.

OPERATION

1. Do not put hands or feet near rotating parts, in the auger/impeller housing or discharge chute. Contact with the rotating parts can amputate hands and feet.
2. The auger/impeller clutch lever is a safety device. Never bypass its operation. Doing so makes the machine unsafe and may cause personal injury.
3. The clutch levers must operate easily in both directions and automatically return to the disengaged position when released.
4. Never operate with a missing or damaged discharge chute. Keep all safety devices in place and working.

5. Never run an engine indoors or in a poorly ventilated area. Engine exhaust contains carbon monoxide, an odorless and deadly gas.
6. Do not operate machine while under the influence of alcohol or drugs.
7. Muffler and engine become hot and can cause a burn. Do not touch.
8. Exercise extreme caution when operating on or crossing gravel surfaces. Stay alert for hidden hazards or traffic.
9. Exercise caution when changing direction and while operating on slopes.
10. Plan your snow-throwing pattern to avoid discharge towards windows, walls, cars etc. Thus, avoiding possible property damage or personal injury caused by a ricochet.
11. Never direct discharge at children, bystanders and pets or allow anyone in front of the machine.
12. Do not overload machine capacity by attempting to clear snow at too fast of a rate.
13. Never operate this machine without good visibility or light. Always be sure of your footing and keep a firm hold on the handles. Walk, never run.
14. Disengage power to the auger/impeller when transporting or not in use.
15. Never operate machine at high transport speeds on slippery surfaces. Look down and behind and use care when in reverse.
16. If the machine should start to vibrate abnormally, stop the engine, disconnect the spark plug wire and ground it against the engine. Inspect thoroughly for damage. Repair any damage before starting and operating.
17. Disengage all clutch levers and stop engine before you leave the operating position (behind the handles). Wait until the auger/impeller comes to a complete stop before unclogging the discharge chute, making any adjustments, or inspections.
18. Never put your hand in the discharge or collector openings. Always use the clean-out tool provided to unclog the discharge opening. Do not unclog discharge chute while engine is running. Shut off engine and remain behind handles until all moving parts have stopped before unclogging.
19. Use only attachments and accessories approved by the manufacturer (e.g. wheel weights, tire chains, cabs etc.).
20. If situations occur which are not covered in this manual, use care and good judgment. Contact your dealer or telephone 1-800-800-7310 for assistance and the name of your nearest servicing dealer.



MAINTENANCE AND STORAGE

1. Never tamper with safety devices. Check their proper operation regularly. Refer to the maintenance and adjustment sections of this manual.
2. Before cleaning, repairing, or inspecting machine disengage all clutch levers and stop engine. Wait until the auger/impeller come to a complete stop. Disconnect the spark plug wire and ground against the engine to prevent unintended starting.
3. Check bolts and screws for proper tightness at frequent intervals to keep the machine in safe working condition. Also, visually inspect machine for any damage.
4. Do not change the engine governor setting or over-speed the engine. The governor controls the maximum safe operating speed of the engine.
5. Snow thrower shave plates and skid shoes are subject to wear and damage. For your safety protection, frequently check all components and replace with original equipment manufacturer's (OEM) parts only. "Use of parts which do not meet the original equipment specifications may lead to improper performance and compromise safety!"
6. Check clutch controls periodically to verify they engage and disengage properly and adjust, if necessary. Refer to the adjustment section in this operator's manual for instructions.
7. Maintain or replace safety and instruction labels, as necessary.
8. Observe proper disposal laws and regulations for gas, oil, etc. to protect the environment.
9. Prior to storing, run machine a few minutes to clear snow from machine and prevent freeze up of auger/impeller.
10. Never store the machine or fuel container inside where there is an open flame, spark or pilot light such as a water heater, furnace, clothes dryer etc.
11. Always refer to the operator's manual for proper instructions on off-season storage.

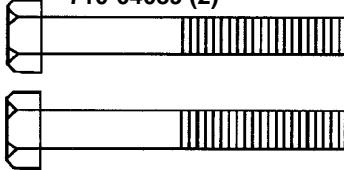
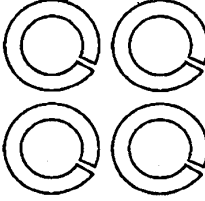
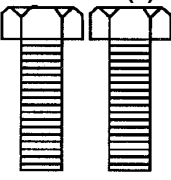

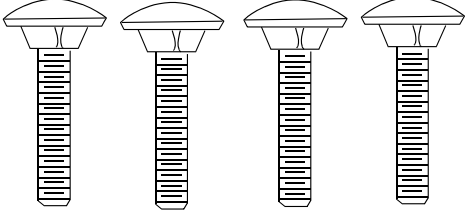



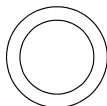

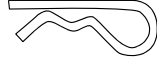

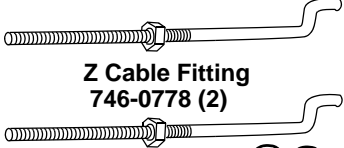
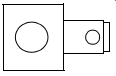
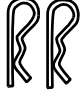
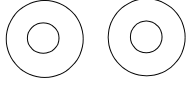
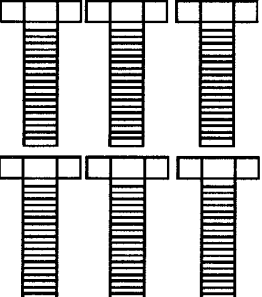
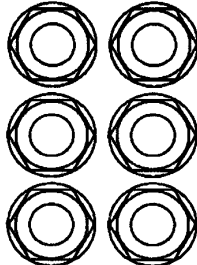
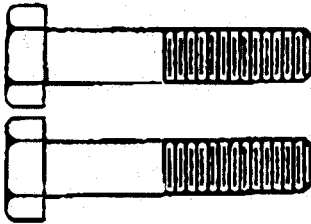
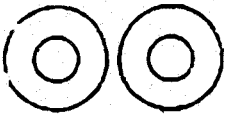


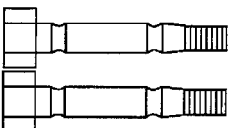


WARNING: Restrict the use of this power machine to persons who read, understand and follow the warnings and instructions in this manual and on the machine.



SECTION 2: CONTENTS OF HARDWARE PACK (Boxed Units)

Lay out the hardware according to the illustration below for identification purposes. Part numbers are shown in parentheses. (Hardware pack may contain extra items which are not used on your unit.)

<p>A ATTACHING THE HANDLES</p> <p>Hex Bolts 710-04039 (2)</p>  <p>Lock Washers 736-0119 (4)</p>  <p>Hex Bolts 710-1880 (2)</p>  <p>Saddle 784-5599 (2)</p> 	<p>B ATTACHING HANDLE PANEL</p> <p>Carriage Bolts 710-0262 (4)</p>  <p>Hex Patch Nuts 712-3068 (4)</p>  <p>Cupped Washers 736-0242 (4)</p> 
<p>C ATTACHING CHUTE DIRECTIONAL CONTROL</p> <p>Cupped Washer 736-0242</p>  <p>Flat Washer 736-0185 (1)</p>  <p>Eyebolt (Not Shown) 747-0697</p> <p>Hex Nuts 712-3010 (2)</p>  <p>Hairpin Clip 714-0104</p> 	<p>D ATTACHING CLUTCH CABLES AND SHIFT ROD (Z Fittings might be already attached to cables)</p> <p>Jam Nuts 712-0121 (2)</p>  <p>Z Cable Fitting 746-0778 (2)</p>  <p>Ferrule 711-0677</p>  <p>Hairpin Clips 714-0104 (2)</p>  <p>Flat Washers 736-0275 (2)</p> 
<p>F ATTACHING CHUTE ASSEMBLY</p> <p>Hex Bolts 710-3015 (2)</p>  <p>Hex Lock Nuts 712-3027 (6)</p>  <p>Chute Flange Keepers 731-0851A (3) Not Shown</p>	<p>E ATTACHING THE CLUTCH GRIPS</p> <p>Hex Screws 710-3103 (2)</p>  <p>Spacer 750-1032 (2)</p>  <p>Hex Top L-Nut 712-0429 (2)</p>  <p>G REPLACEMENT SHEAR BOLTS</p> <p>Hex Lock Nuts 712-0429 (2)</p>  <p>Hex Bolts 710-0890A (2)</p> 

NOTE: The augers are secured to the spiral shaft with two shear bolts and hex lock nuts. If you hit a hard foreign object or an ice jam, the snow thrower is designed so that the bolts may shear. Two replacement shear bolts and nuts are provided for your convenience. Store in a safe place until needed.

SECTION 3: ASSEMBLING YOUR SNOW THROWER

NOTE: References to right or left side of the snow thrower are determined from behind the unit in the operating position. The "operator's position" is defined as standing directly behind the snow thrower, facing the handle panel.

NOTE: This Operator's Manual covers several models. **Snow thrower features vary by model.** Not all features discussed in this manual are applicable to all snow thrower models.

Unpacking

Crate

- Remove screws from the top sides and ends of the shipping crate.
- Set panel aside to avoid tire punctures or personal injury.
- Remove and discard plastic bag that covers unit.
- Remove any loose parts included with unit (i.e., Operator's Manual, etc).
- Roll unit out of crate.

Box

- Remove staples or break glue on top flaps of the carton. Remove any loose parts included with unit (i.e., operator's manual, etc.).
- Cut corners of the carton and lay ends down flat. Remove packing material.
- Roll unit out of carton. Check carton thoroughly for loose parts before discarding.

Loose Parts (Crated Unit)

The augers are secured to the auger shaft with two shear bolts and hex lock nuts. If you hit a foreign object or ice jam, the snow thrower is designed so that the bolts may shear. Two replacement shear bolts and nuts are provided for your convenience. Store in a safe place until needed. See Figure 1.

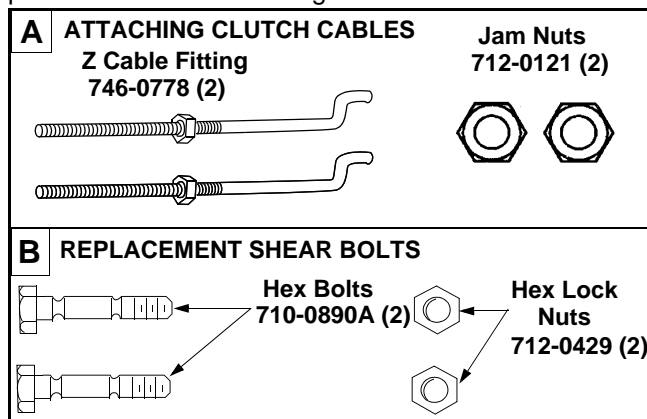


Figure 1

Loose Parts (Boxed Unit)

Listed below are the parts of the snow thrower packed loose with units that come unassembled in a box. You will need these parts along with hardware from the hardware pack, illustrated on the previous page, to assemble the equipment. Identify the loose parts before proceeding to assemble. See Figure 2.

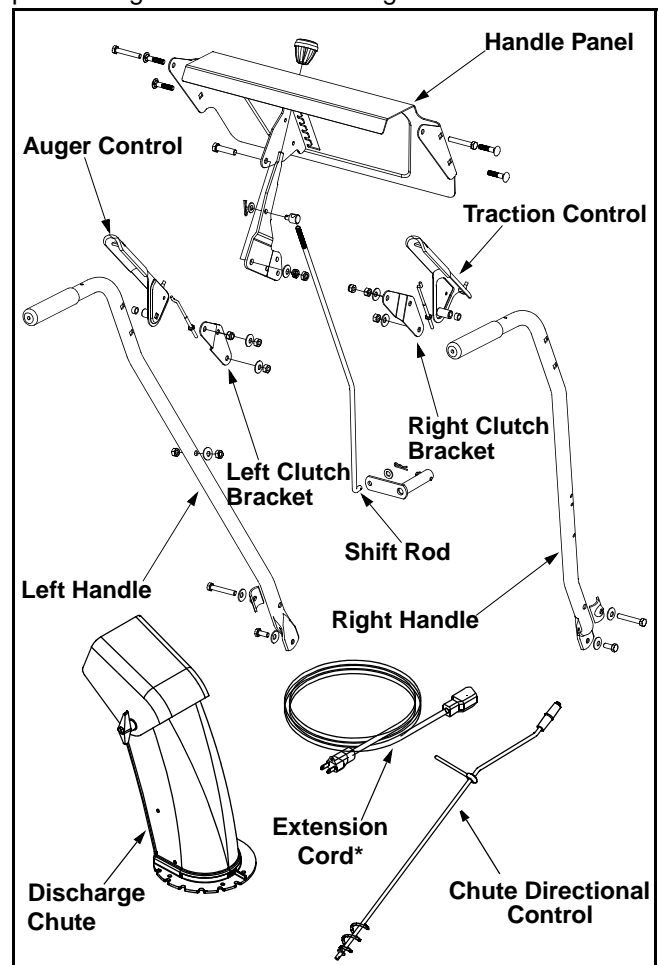


Figure 2

1. Right and Left Handles
2. Handle Panel Assembly
3. Right and Left Clutch Brackets
4. Discharge Chute
5. Chute Directional Control
6. Shift Rod
7. Auger and Traction Controls
8. Hardware Pack
9. Extension Cord (*If Equipped)

NOTE: Follow the Hardware Pack/Loose Parts above and Assembly instructions below per the packaging of your unit. So if your unit came in a box, proceed to page 7, Assembly (Boxed Unit) and use Hardware Pack on page 5 and Loose Parts in Figure 2.

Assembly (Crated Unit)



WARNING: Disconnect the spark plug wire and ground it against the engine to prevent unintended starting.

- Remove the **lower** two plastic wing knobs, cupped washers and carriage bolt (eyebolt on the left side) from the lower handle. See Figure 3.

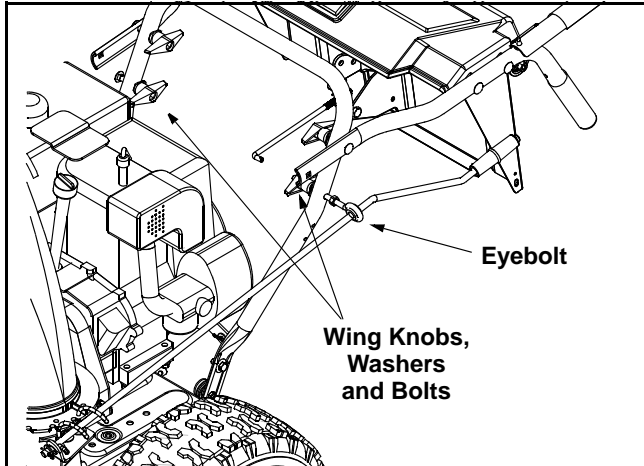


Figure 3

- Raise the upper handle assembly until it locks over the lower handle. See Figure 4.
- Observe the lower rear area of the snow thrower to be sure both cables are aligned with roller guides.
- Secure the upper handle and lower handle with the two plastic wing knobs, cupped washers and carriage bolt (eyebolt on the left side) previously removed. See Figure 4.

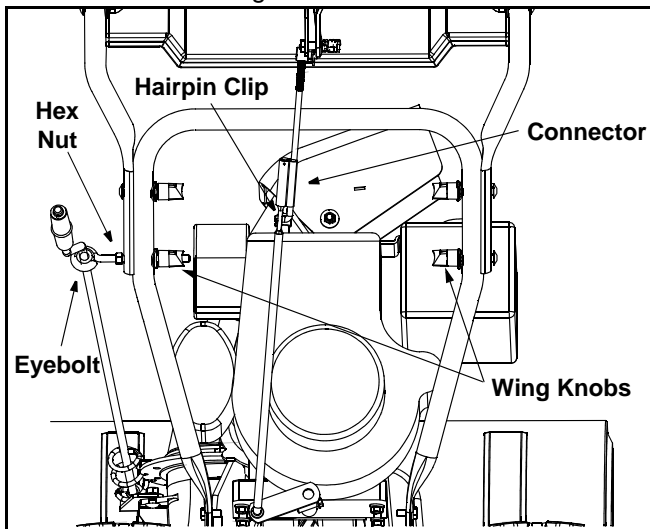


Figure 4

- Adjust the eyebolt on the chute directional control so the rod does not come into contact with the engine by moving the hex nut against the handle (if necessary). Retighten the wing nut to secure the directional control in this position.
- Slide the connector down over the end of the lower shift rod. See Figure 4. Tap the connector until it **locks** on the lower shift rod.

If the connector is not properly assembled, the shift rod will pivot and you will not be able to change speeds or change directions.

- Insert "Z" fitting (Hardware A) into hole in clutch grips. See Figure 11. *Two extra jam nuts are included in the hardware pack in the event either are lost during shipping.*
- Thread the jam nuts all the way up each of the "Z" fittings, toward the handle panel. See Figure 11.
- Make certain all cables are in the grooves of the cable roller guides located in the lower rear of the unit, one on each side. See Figure 9.
- Thread the coupling end of the cable onto the threaded portion of the "Z" fitting until the rubber bumper (located on the underside of the clutch lever) only lightly contacts the upper handle.

IMPORTANT: The cable should have very little slack, but should NOT be tight. An overtightened cable may prohibit the auger and drive from disengaging.



WARNING: Over-tightening the cable may prohibit the auger and drive from disengaging and compromise the safety of the snow thrower. Do NOT overtighten the cable.

- Once properly adjusted, tighten the jam nut against the coupling end of the cable to lock it in position. *Refer to Auger Control Test on page 13 prior to operating your snow thrower. Read and follow all instructions carefully and perform all adjustments to verify your snow thrower is operating safely and properly.*

Assembly (Boxed Unit)



WARNING: Disconnect the spark plug wire and ground it against the engine to prevent unintended starting.

Attaching Handle Assembly

(Hardware Group A, B and E)

- Attach left handle and left clutch bracket to handle panel with two carriage bolts, cupped washers and hex patch nuts. (Be sure the bend in the grip bracket is towards the center of the handle panel.) Do not tighten at this time. See Figure 5.

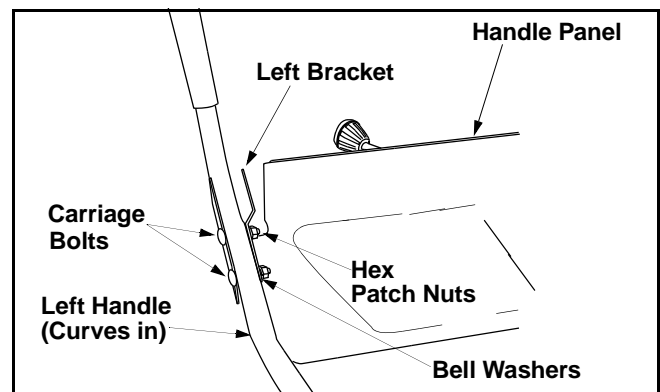


Figure 5

- Insert curved end of the Z fitting into the top hole in the triangular metal tab on the auger control grip. The triangular metal tab on the auger control grip must face the center of the handle panel. See Figure 6.

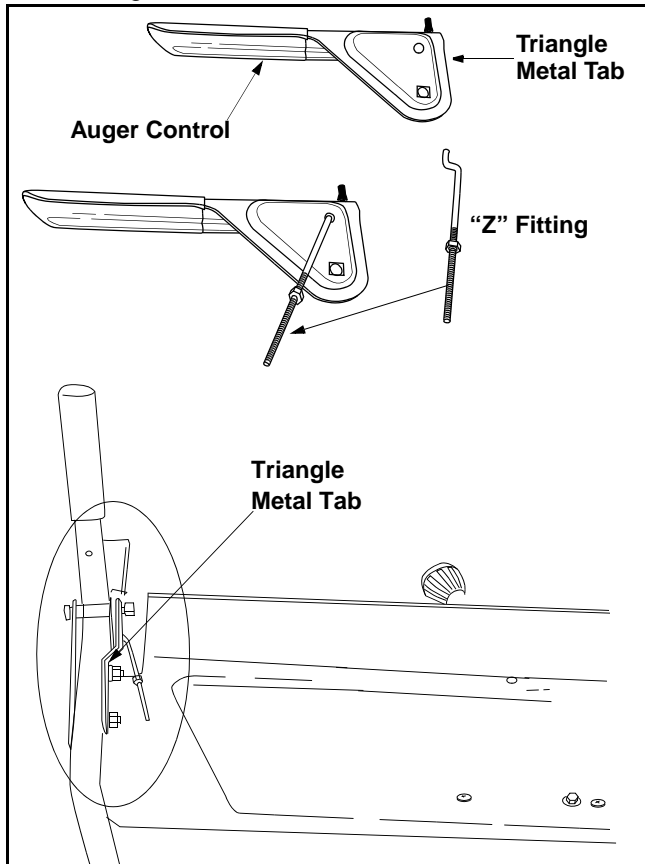


Figure 6

- Place the auger control on top of the left handle. The triangular metal tab must be between the handle and the bracket. See Figure 6.
- Secure with hex bolt, spacer, and hex lock nut. Do not overtighten this bolt as it will prevent the control from automatically returning to their upright position. See Figure 7.

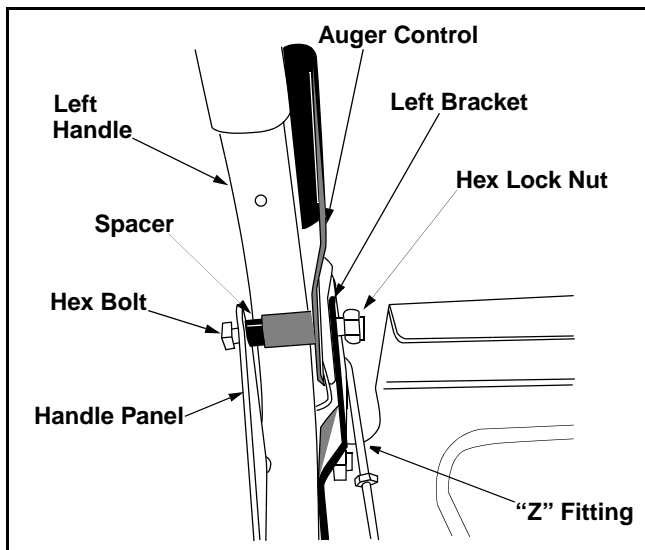


Figure 7

- Repeat process for the right side Traction Control.
- Lay handle assembly behind snow thrower. See Figure 8.
- Insert a hex bolt 3/4" long and lock washer through the lower hole on the bottom of the handle.
- Hold the handle assembly up to the bottom of the snow thrower frame and thread the hex bolt into the lower hole in snow thrower frame. Do not tighten at this time. See Figure 8.
- Repeat process on the other side.

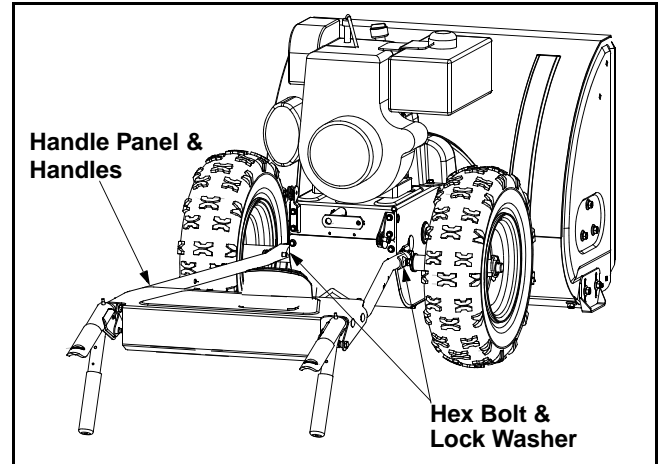


Figure 8

- Raise the handle assembly into the upright position and align the top holes in the handle with the top holes in the snow thrower frame. Attach using 2" long hex bolts, lock washers and saddles. (Curve in saddle must match the curve in the handle.) See Figure 9.
- Tighten all hardware used to attach the handle assembly to the snow thrower frame.

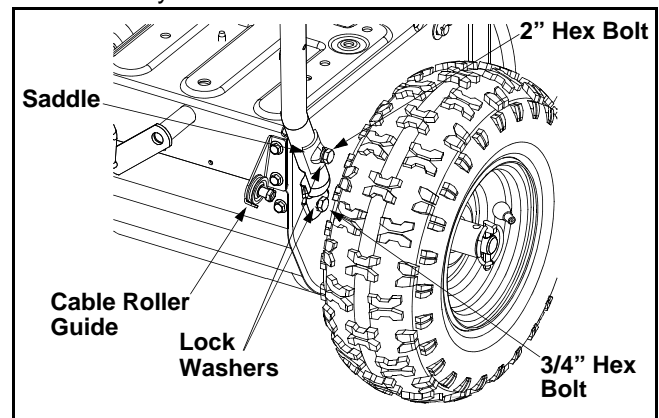


Figure 9

Attaching Shift Rod (Hardware D)

- Place the shift lever in the fastest forward speed position.
- Rotate the shift arm assembly counter clockwise as far as it will go. Insert the shift rod through the shift arm assembly. When installed, the shift arm assembly should point left. Secure with flat washer and hairpin clip. See Figure 10.

- Thread the ferrule onto the shift rod, up or down the shift rod and align with the far hole on the narrow side of the shift lever assembly behind the handle panel. See Figure 10.

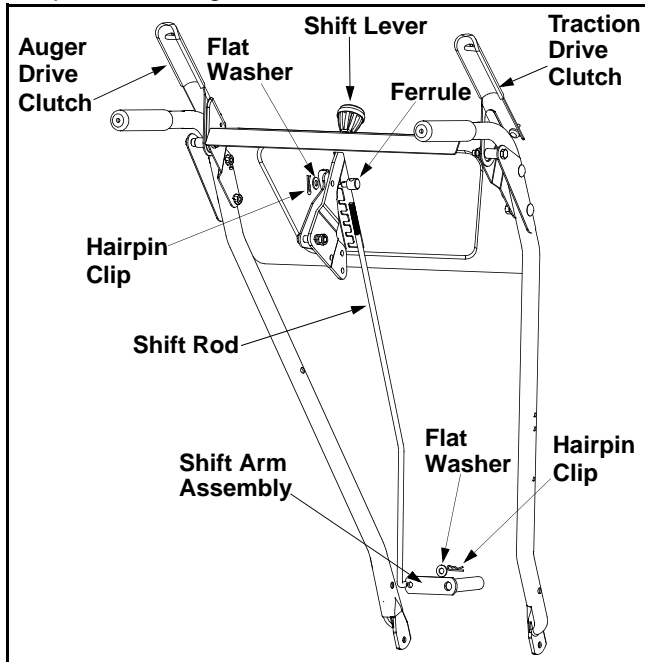


Figure 10

- Secure the ferrule to the shift arm assembly with the flat washer and hairpin clip.

Attaching Clutch Cables

(Boxed & Crated Unit) (Hardware D)

Z fittings with jam nuts might be already inserted in each control lever (on the handle panel) at the factory. To attach the cables to the Z fittings, proceed as follows:

NOTE: Two extra jam nuts are included in the hardware pack in the event either are lost during shipping.

- If Z fittings are **not** already attached, insert “Z” fitting into hole in clutch grips. See Figure 11.

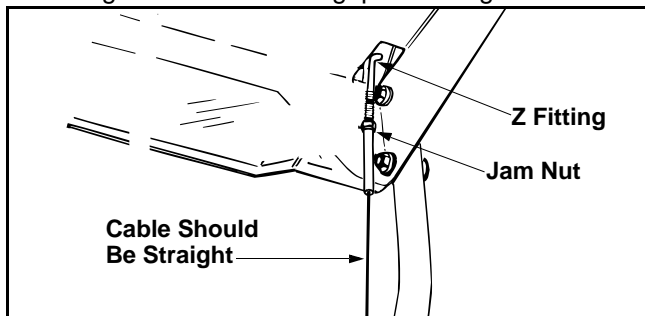


Figure 11

- If Z fittings **are** already attached, thread the jam nuts all the way up each of the Z fittings, toward the handle panel.

- Make certain all cables are in the grooves of the cable roller guides in the lower rear of the unit, one on each side. Refer to Figure 9.
- Thread the coupling end of the cable onto the threaded portion of the Z fitting until the rubber bumper (located on the underside of the clutch lever) only lightly contacts the upper handle.

IMPORTANT: The cable should have very little slack, but should NOT be tight. An overtightened cable may prohibit the auger and drive from disengaging.



WARNING: Over-tightening the cable may prohibit the auger and drive from disengaging and compromise the safety of the snow thrower. Do NOT overtighten the cable.

- Once properly adjusted, tighten the jam nut against the coupling end of the cable to lock it in position.

NOTE: Refer to **Auger Control Test** in the Operation Section prior to operating your snow thrower. Read and follow all instructions carefully and perform all adjustments to verify your snow thrower is operating safely and properly.

Attaching the Chute Assembly (Hardware F)

- Place chute assembly over chute opening, with the opening in the chute assembly facing the front of the unit.
- Place chute flange keepers beneath lip of chute assembly, with the flat side of chute flange keeper facing downward. See Figure 12.
- Insert hex bolt up through chute flange keeper and chute assembly and secure with hex lock nut. After assembling all three chute flange keepers, tighten all nuts and bolts securely. Do not overtighten.

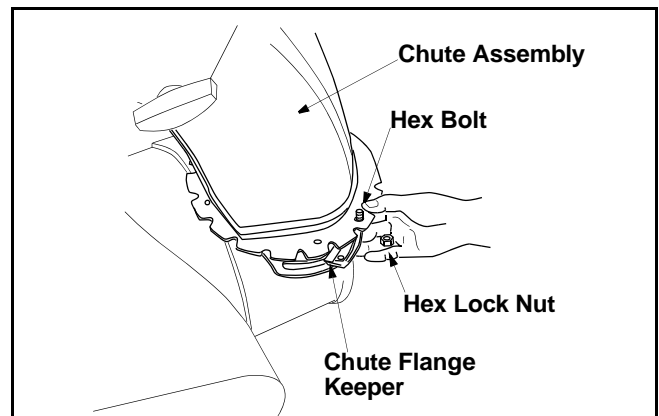


Figure 12

NOTE: Lock nuts cannot be threaded onto a bolt by hand. Tighten with two 7/16” or adjustable wrenches.

Attaching The Chute Directional Control

(Hardware C)

- Thread one hex nut about halfway onto eye bolt on the chute directional control.
- Insert eye bolt through the hole provided in the left handle. See Figure 13.
- Secure with cupped washer (cupped side against the handle) and other hex nut. Do not tighten until after attaching the other end of the chute directional control.

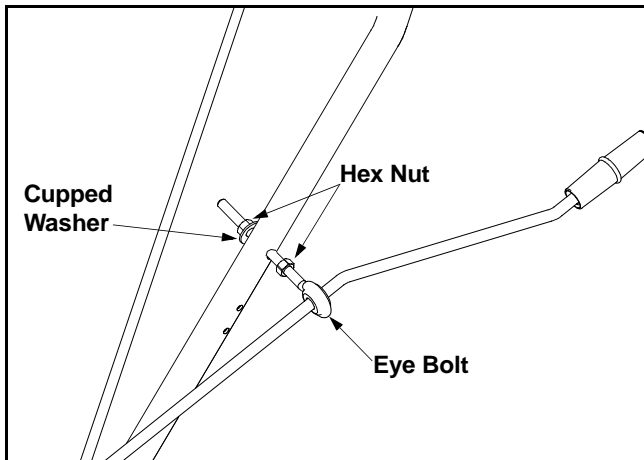


Figure 13

- To align the spiral on the chute directional control, you may have to loosen the carriage bolts and hex lock nuts securing lower chute bracket to the extension on the left side of the chute assembly. See Figure 14.
- Insert the end of the control into the hole in the plastic bushing in the lower chute bracket.
- Place the flat washer on the end of the chute directional control, and insert hairpin clip into hole in the end of control. See Figure 14.
- Adjust the chute bracket so that the spiral on the chute directional control fully engages the teeth on the chute assembly.
- Tighten nuts on the lower chute bracket securely.
- Tighten hex nut on the eye bolt on chute directional control.

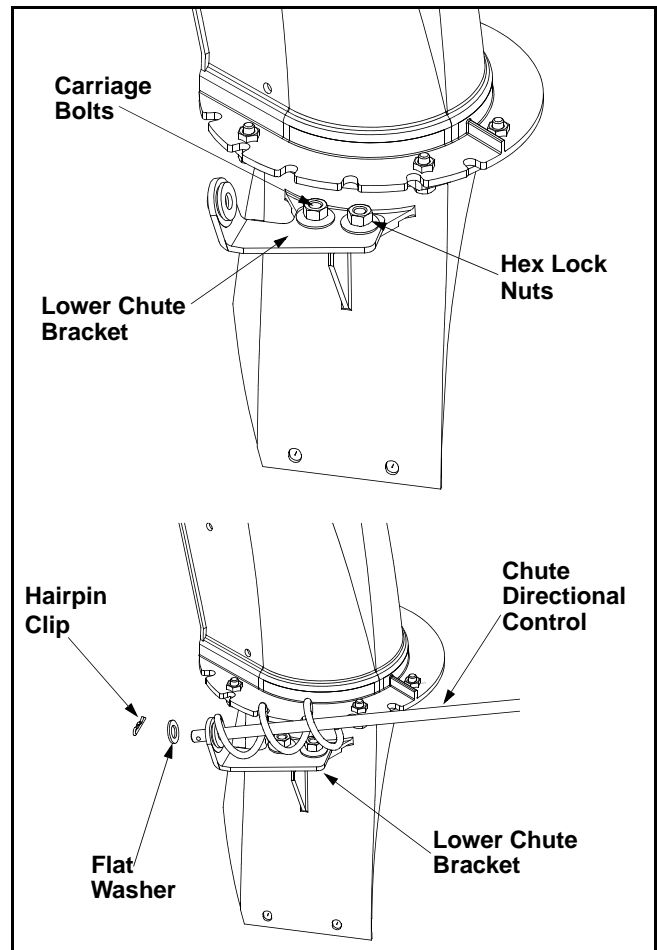


Figure 14

Lamp Wiring (If Equipped)

NOTE: A lamp is an optional feature of some model snow throwers and is NOT standard equipment. On models so equipped, a lamp will either be installed on the dash panel at the factory OR packaged separately as a Kit within the carton, depending on the model.

- If so equipped, wrap the wire from the lamp down the right handle until the wire can be plugged into the alternator lead wire located under the fuel tank. See Figure 15. Lamp wire must not interfere with any controls or cables.

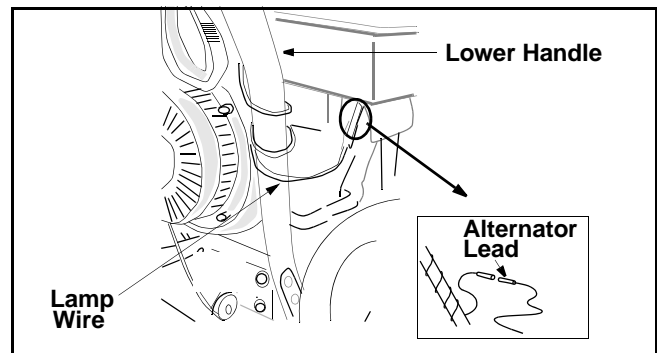


Figure 15

If your unit is not equipped with a lamp, contact Customer Support as instructed on page 2 for information regarding price and availability.

Snow Thrower Model
664G

Electric Light Kit
OEM-390-255

NOTE: *The engines found on snow thrower models 614E and S644E are NOT equipped with an alternator and therefore can NOT accept a light kit.*

SECTION 4: KNOW YOUR SNOW THROWER

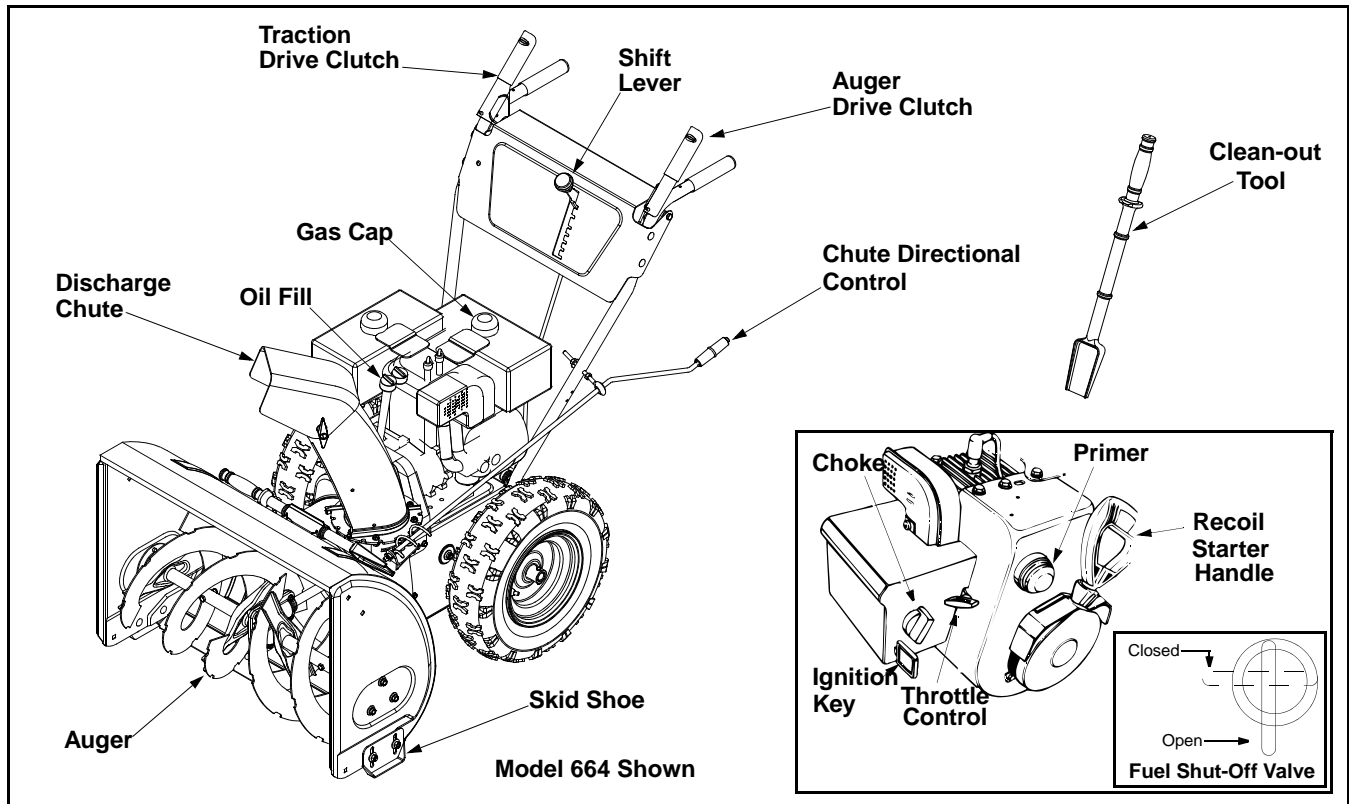


Figure 16



WARNING: Read, understand, and follow all instructions and warnings on the machine and in this manual before operating.

Shift Lever

The shift lever is located in the center of the handle panel. The shift lever may be moved into one of six positions. Run engine with throttle in the fast position. Use the shift lever to determine ground speed. See Figure 16.

Forward

There are five forward speeds on this snow thrower. Position one (1) is the slowest and position five (5) is the fastest.

Reverse

Your snow thrower has two reverse (R) speeds. R1 is the slower, while R2 is the faster of the two.

NOTE: *Model 614, 644, and 664, has five forward positions and two reverse.*

Auger Drive Control

The auger drive control is located on the left handle. Squeeze the control grip to engage the augers. Release to stop the snow throwing action.

Traction Control

The traction control is located on the right handle. Squeeze the traction control grip to engage the wheel drive. Release to stop.

Chute Directional Control

The chute directional control is located on left side of the snow thrower. See Figure 16.

To change the direction in which snow is thrown, turn chute directional control as follows:

- Crank clockwise to discharge to the left.
- Crank counterclockwise to discharge to the right.

Clean-Out Tool



WARNING: Never use your hand to clear a clogged discharged chute. Shut off engine and remain behind handles until all moving parts have stopped before unclogging.

The chute clean-out tool is fastened to the top of the auger housing with a mounting clip. The tool is designed to clear a clogged discharged chute. Refer to **Operating Your Snow Thrower** section for more detailed information regarding the chute clean-out tool. See Figure 16.

NOTE: This item is fastened with a cable tie to the rear of the Auger Housing at the factory. Cut the cable tie before operating the snow thrower.

Safety Ignition Key

The safety ignition key must be fully inserted in the switch before the unit will start. Remove the ignition key when the snow thrower is not in use. See Figure 16.

IMPORTANT: Do NOT “turn” the ignition key in an attempt to start the engine. Doing so may cause it to break.

Fuel Shut-off Valve (Optional Equipment)

On models so equipped, the fuel shut-off valve, located under fuel tank, controls fuel-flow from the gas tank. See Figure 16.

Skid Shoe

The position of the skid shoe is determined by the condition of the ground from where snow has to be removed. See Figure 16.

Throttle Control

The throttle control is located on the engine. It regulates the speed of the engine and will shut off the engine when pushed down completely. See Figure 16.

SECTION 5: OPERATING YOUR SNOW THROWER

Before Starting



WARNING: Read, understand, and follow all instructions and warnings on the machine and in this manual before operating.

Gas & Oil Fill-Up

Service the engine with gasoline and oil as instructed in the separate engine manual packed with your snow thrower. **Read instructions carefully.**



WARNING: Use extreme care when handling gasoline. Gasoline is extremely flammable and the vapors are explosive. Never fuel the machine indoors or while the engine is hot or running. Extinguish cigarettes, cigars, pipes and other sources of ignition.

- A plastic **cup** is provided inside the fuel fill opening on the fuel tank. Remove and discard this cup before filling up the tank. Use the separate fuel tank cap to close after fill-up.

To Start Engine

- Attach spark plug wire to spark plug. Make certain the metal loop on the end of the spark plug wire (inside the boot) is fastened securely over the metal tip on the spark plug.
- Make certain the fuel shut-off valve, if so equipped, is in the OPEN (vertical) position.
- Make certain the auger and drive clutch levers are in the disengaged (released) position.
- Move throttle control up to FAST position. Insert ignition key into slot. Make sure it snaps into place. **Do not turn key.**

NOTE: Engine will not start unless ignition key is inserted into ignition slot in carburetor cover.

Electric Starter (If Equipped)

- Determine that your house wiring is a three-wire grounded system. Ask a licensed electrician if you are not certain.
- **If your house wiring system is not a three-wire grounded system, do not use this electric starter under any conditions.**



WARNING: The optional electric starter is equipped with a grounded three-wire power cord and plug, and is designed to operate on 120 volt AC household current. It must be used with a properly grounded three-prong receptacle at all times to avoid the possibility of electric shock. Follow all instructions carefully prior to operating the electric starter.

- If your home electrical system is grounded, but a three-hole receptacle is not available, one should be installed by a licensed electrician before using the electric starter.

If you have a grounded three-prong receptacle, proceed as follows:

- Connect power cord to switch box on engine. Plug the other end of power cord into a three-prong 120-volt, grounded, AC receptacle.
- Rotate choke knob to FULL choke position (cold engine start). If engine is warm, place choke in OFF position instead of FULL.
- Push primer button two or three times for cold engine start, making sure to cover vent hole in primer button when pushing. DO NOT use primer to restart a warm engine after a short shutdown.
- Push starter button to start engine.
- When engine starts, release starter button and move choke gradually to OFF. If engine falters, move choke immediately to FULL and then gradually to OFF.
- When disconnecting the power cord, always unplug from the three-prong receptacle first and then from the snow thrower.

Recoil Starter

- Rotate choke knob to FULL choke position (cold engine start). If engine is warm, place choke in OFF position instead of FULL.
- Push primer button two or three times for cold engine start. DO NOT use primer to restart a warm engine after a short shutdown.

NOTE: Always cover vent hole in primer button when pushing. Additional priming may be necessary for first start if temperature is below 15 degrees Fahrenheit.

- Grasp starter handle and pull rope out slowly, until it pulls slightly harder. Let rope rewind slowly.
- Pull starter handle rapidly. Do not allow handle to snap back. Allow it to rewind slowly while keeping a firm hold on the starter handle.
- As engine warms up and begins to operate evenly, rotate choke knob slowly to OFF position. If engine falters, return to FULL choke, then slowly move to OFF position.

To Stop Engine

- Run engine for a few minutes before stopping to help dry off any moisture on the engine.
- To help prevent possible freeze-up of starter, proceed as follows:

Electric Starter (If equipped)

- Connect power cord to switch box on engine, then to 120 volt AC receptacle. With the engine running, push starter button and spin the starter for several seconds. The unusual sound made by spinning the starter will not harm engine or starter. Disconnect the power cord from receptacle first, and then from switch box.

Recoil Starter

- With engine running, pull starter rope with a rapid, continuous full arm stroke three or four times. Pulling the starter rope will produce a loud clattering sound, which is not harmful to engine or starter.
- To stop engine, move throttle control to "stop" or "off" position.
- Remove the ignition key. Do not turn key.
- Disconnect the spark plug wire from the spark plug to prevent accidental starting while equipment is unattended.

NOTE: Do not lose ignition key. Keep it in a safe place. Engine will not start without the ignition key.

- Wipe all snow and moisture from the carburetor cover in the area of the control levers. Also, move control levers back and forth several times.

To Engage Drive

- With the engine running near top speed, move shift lever into one of the five FORWARD positions or two REVERSE positions. Select a speed appropriate for the snow conditions that exist. Use the slower speeds until you are familiar with the operation of the snow thrower.
- Squeeze the auger control grip and the augers will turn. Release it and the augers will stop.
- Squeeze traction control grip and the snow thrower will move. Release it and drive motion will stop.
- NEVER move shift lever without releasing drive clutch.

To Engage Augers

- To engage the augers and start throwing snow, squeeze the auger control grip against the left handle. Release to stop the augers.

Auger Control Test

IMPORTANT: Perform the following test before operating your snow thrower for the first time and at the start of each winter season.

Check the adjustment of the auger control as follows:

- When the auger control is released and in the disengaged “up” position, the cable should have very little slack. It should NOT be tight.
- In a well-ventilated area, start the snow thrower engine as instructed earlier in this section under the heading Starting Engine. Make sure the throttle is set in the FAST position.
- While standing in the operator’s position (behind the snow thrower), engage the auger.
- Allow the auger to remain engaged for approximately ten (10) seconds before releasing the auger control. Repeat this several times.
- With the engine running in the FAST position and the auger control lever in the disengaged “up” position, walk to the front of the machine.
- Confirm that the auger has completely stopped rotating and shows NO signs of motion.

IMPORTANT: If the auger shows ANY signs of rotating, immediately return to the operator’s position and shut off the engine. Wait for ALL moving parts to stop before re-adjusting the auger control.

- To readjust the control cable, loosen the hex jam nut on the auger control cable “Z” fitting.
- Rotate the coupling end of the cable counterclockwise to provide more slack.
- Retighten the hex jam nut. See Figure 17.
- Repeat Auger Control Test to verify proper adjustment has been achieved.

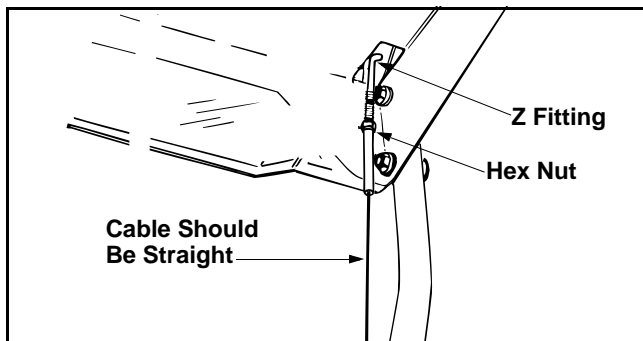


Figure 17

Chute Clean-Out Tool

The chute clean-out tool is conveniently fastened to the rear of the auger housing with a mounting clip. Should snow and ice lodge itself in the discharge chute during operation, proceed as follows to safely clean the chute and chute opening:

- Release both the Auger Control Lever and the Traction/Auger Control Lock Lever.
- Stop the engine by removing the ignition key.
- Remove the clean-out tool from the clip which secures it to the rear of the auger housing.
- Use the shovel-shaped end of the clean-out tool to dislodge and scoop any snow and ice which has formed in and near the discharge chute.



WARNING: Never use your hands to clean snow and ice from the discharge chute or auger housing

- Refasten the clean-out tool to the mounting clip on the rear of the auger housing, reinsert the ignition key and start the snow thrower’s engine.
- While standing in the operator’s position (behind the snow thrower), engage the auger clutch lever for a few seconds to clear any remaining snow and ice from the discharge chute.

Drift Cutters (If Equipped)

Drift cutters should be used when operating the snow thrower in heavy drift conditions.

On models so equipped, drift cutters are assembled to the auger housing inverted. Remove the carriage bolts by unthreading the hex nuts which secure them, and reinstall the drift cutters in their proper position before operating the snow thrower. See Figure 18.

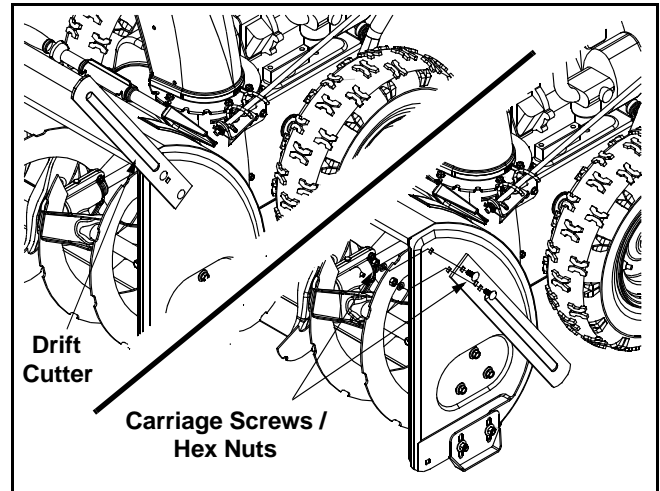


Figure 18

If your unit is not equipped with drift cutters, contact Customer Support as instructed on page 2 for information regarding price and availability.

Snow Thrower Model	Drift Cutter Kit
All models	OEM-390-679

Tire Chains (If Equipped)

Tire chains should be used whenever extra traction is needed. If your unit is not equipped with tire chains, contact Customer Support as instructed on page 2 for information regarding price and availability.

Operating Tips

NOTE: Allow the engine to warm up for a few minutes as the engine will not develop full power until it reaches operating temperature.



WARNING: The muffler, engine, and their surrounding areas become hot and can cause a burn. Do not touch.

- Discharge snow downwind whenever possible. Slightly overlap each previous swath.

- Set the skid shoes 1/4" below the scraper bar for normal usage. The skid shoes may be adjusted upward for hard-packed snow. Adjust downward when using on gravel or crushed rock.
- Avoid possible starter freeze-up. Clean the snow thrower thoroughly after each use.

SECTION 6: MAKING ADJUSTMENTS



WARNING: Never attempt to make any adjustments while the engine is running, except where specified in operator's manual.

Tire Pressure (Pneumatic Tires)

- The tires are overinflated for shipping purposes. Before operating check tire pressure and reduce pressure to between 15 psi and 20 psi.

NOTE: If the tire pressure is not equal in both tires, the unit may pull to one side or the other.

Traction Control and Shift Lever

- To check the adjustment of the traction control clutch and shift lever, proceed as follows:
- With the engine off, move the shift lever all the way forward to the highest speed. With the traction control lever released, push the snow thrower forward. The unit should roll forward. Then engage the traction control grip. The wheels should stop turning.
- Now release the traction control grip and push the unit again.
- Move the shift lever back to the fast reverse position then all the way forward again. There should be no resistance in the shift lever, and the wheels should keep turning.
- If you have resistance when moving the shift lever or the wheels stop when they should not, loosen the jam nut on the traction control cable and unthread the cable one turn.
- If the wheels do not stop when you engage the traction control clutch grip, loosen the jam nut on the traction control cable and thread the cable in one turn.
- Recheck the adjustment and repeat as necessary. Tighten the jam nut to secure the cable when correct adjustment is reached.



WARNING: Drain the gasoline out of snow thrower engine, place a piece of plastic film under the gas cap to avoid spillage before beginning the job.

To test further for correct adjustment, if necessary, proceed as follows:

- Tip the snow thrower so that it rests on the auger housing. See Figure 19.
- Remove the frame cover underneath the snow thrower by removing six self-tapping screws.
- When the traction control is released, there must be clearance between the friction wheel and the drive plate in all positions of the shift lever.

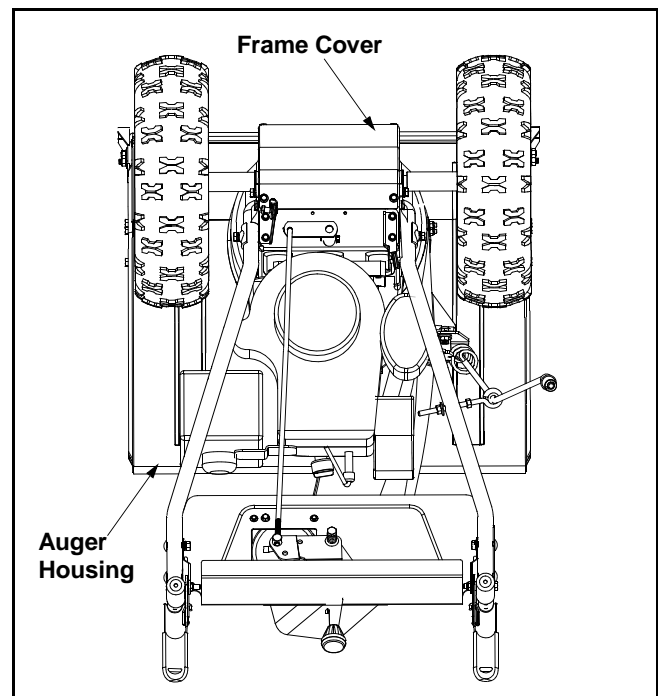


Figure 19

- With the traction control is engaged, the friction wheel must contact the drive plate. See Figure 20.

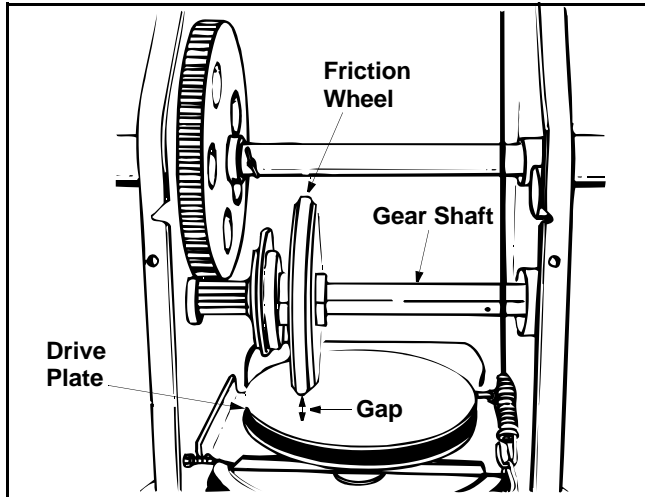


Figure 20

If adjustment is necessary:

- Loosen the jam nut on the traction control cable and thread the cable in or out as necessary.
- Retighten the jam nut to secure the cable when correct adjustment is reached.
- Reassemble the frame cover.

NOTE: If you placed plastic under the gas cap earlier, remove it now.

Chute Assembly

The distance snow is thrown can be adjusted by changing the angle of the chute assembly. To do so, stop the engine by removing the ignition key and loosen the plastic wing knobs found on either side of the discharge chute. Pivot the chute upward or downward before re-tightening the wing knobs.

Auger Control

Refer to Auger Control Test in the Operating Section to adjust the auger control.

Skid Shoes

The space between the shave plate and the ground can be adjusted. See Figure 21.

- For close snow removal on a smooth surface, raise skid shoes higher on the auger housing.

- Use a middle or lower position when the area to be cleared is uneven.

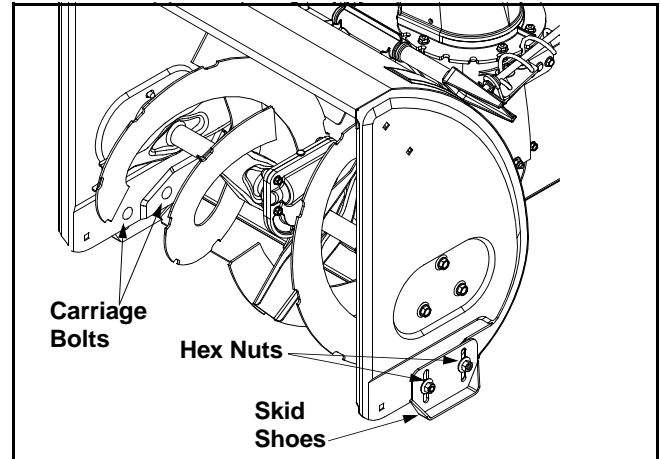


Figure 21



WARNING: Do not operate this snow thrower on gravel as loose gravel can be easily picked up and thrown by the auger causing injury to the operator and/or damage to the snow thrower.

- Adjust skid shoes by loosening the four hex nuts and carriage bolts. Move skid shoes to desired position.
- Make certain the entire bottom surface of skid shoe is against the ground to avoid uneven wear on the skid shoes. Retighten nuts and bolts securely.

Carburetor

- Minor carburetor adjustment may be required to compensate for differences in fuel, temperature, altitude and load.
- Refer to the separate engine manual, packed with your unit, for carburetor adjustment information.



WARNING: If any adjustments need to be made to the engine while the engine is running (e.g. carburetor), keep clear of all moving parts. Be careful of muffler, engine and other surrounding heated surfaces.

Adjusting Shift Rod

- Remove the hairpin clip and flat washer from the ferrule and remove the ferrule from the shift lever. Place the shift lever in the fastest forward speed position.
- Push down on the shift arm assembly as far as it will go. Thread the ferrule up or down the shift rod and align it with the hole closest to the shift knob on the narrow side of the shift lever assembly behind the handle panel. Refer to Figure 10.

NOTE: Make certain to check for correct adjustment of the shift rod as instructed in the Final Adjustments section before operating the snow thrower.

Drive Wheels

- The wheels may be adjusted for two different methods of operation. Follow the steps below for adjustment. See Figure 22.

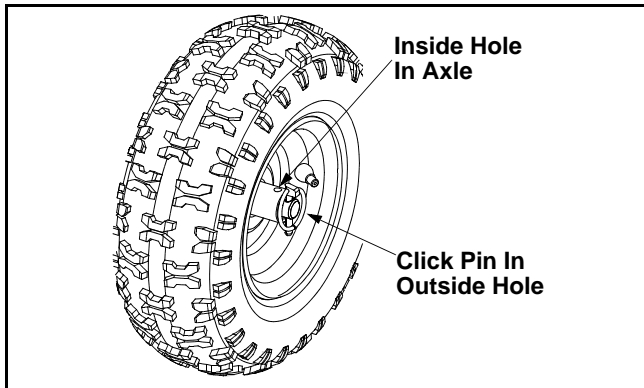


Figure 22

One Wheel Driving

- On the right side of the unit, place click pin in the outside axle hole only. Do not place pin through wheel hub. This position gives power drive to the left wheel only, making the unit easier to maneuver.

Both Wheels Driving

- Rotate wheel assembly to align hole in the hub with the inner hole on the axle shaft. Insert click pin in the hole. Outer axle shaft hole should be visible.

IMPORTANT: NEVER operate the snow thrower with the click pin inserted through both the RIM and the OUTSIDE HOLE in the axle. Doing so can result in serious damage to the drive system.

SECTION 7: MAINTAINING YOUR SNOW THROWER



WARNING: Before lubricating, repairing, or inspecting, disengage all clutch levers and stop engine. Wait until all moving parts have come to a complete stop. Disconnect spark plug wire and ground it against the engine to prevent unintended starting.

Lubrication

Engine

Refer to the separate engine manual packed with your unit for all engine lubrication instructions.



WARNING: If any adjustments need to be made to the engine while the engine is running (e.g. carburetor), keep clear of all moving parts. Be careful of muffler, engine and other surrounding heated surfaces.

Gear Shaft

- Lubricate the gear shaft with a good all-weather multi-purpose light grease at least once a season or after every 25 hours of operation.

IMPORTANT: Keep all grease and oil off the friction wheel and drive plate.

Wheels

- Oil or spray lubricant into bearings at wheels at least once a season. Pull click pin, remove wheels, clean and coat axles with a multipurpose automotive grease. See Figure 23.

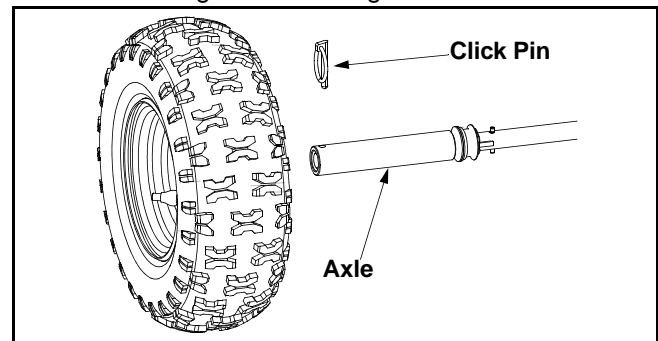


Figure 23

Chute Directional Control

- The worm gear on the chute directional control should be greased with multipurpose automotive grease.

Auger Shaft

- At least once a season, remove shear bolts on auger shaft. Oil or spray lubricant inside shaft and lubricate the auger bearings. See Figure 24.

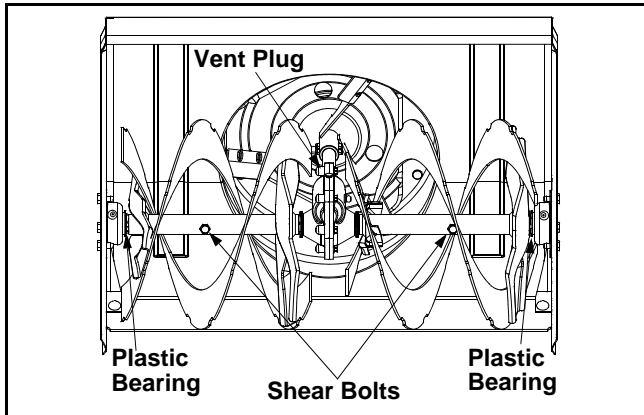


Figure 24

Drive and Shifting Mechanism

Remove rear cover. Oil any chains, sprockets, gears, bearings, shafts, and shifting mechanism at least once a season. Use engine oil or a spray lubricant. Avoid getting oil on rubber friction wheel and aluminum drive plate. See Figure 25.

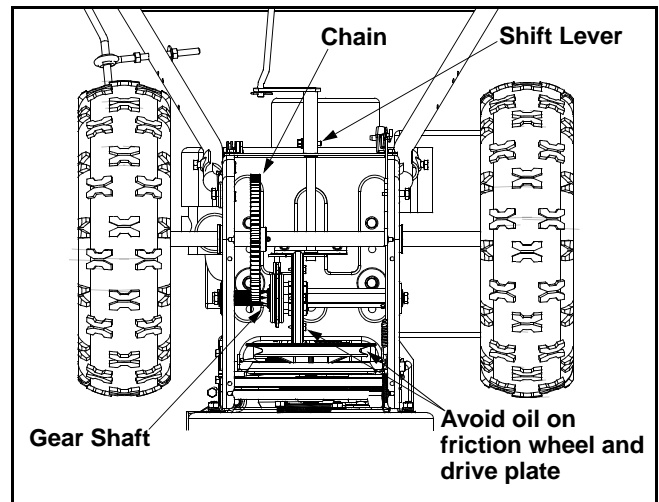


Figure 25

Gear Case

The worm gear case has been filled with grease at the factory. If disassembled for any reason, lubricate with 2 ounces of shell grease, part number 737-0168.

IMPORTANT: Do not overfill the gear case. Damage to the seals could result. Be sure the vent plug is free of grease in order to relieve pressure.

SECTION 8: SERVICING YOUR SNOW THROWER



WARNING: Before servicing, repairing, or inspecting, disengage all clutch levers and stop engine. Wait until all moving parts have come to a complete stop. Disconnect spark plug wire and ground it against the engine to prevent unintended starting

Engine

Refer to the separate engine manual packed with your unit for all engine maintenance procedures.

Shave Plate and Skid Shoes

- The shave plate and skid shoes on the bottom of the snow thrower are subject to wear. They should be checked periodically and replaced when necessary.
- To remove skid shoes, remove the four carriage bolts, cupped washers and hex nuts which attach them to the snow thrower. Reassemble new skid shoes with the four carriage bolts, cupped washers (cupped side goes against skid shoes) and hex nuts. See Figure 26.

- To remove shave plate, remove the carriage bolts, cupped washers and hex nuts which attach it to the snow thrower housing. Reassemble new shave plate, making sure heads of carriage bolts are to the inside of housing. Tighten securely.

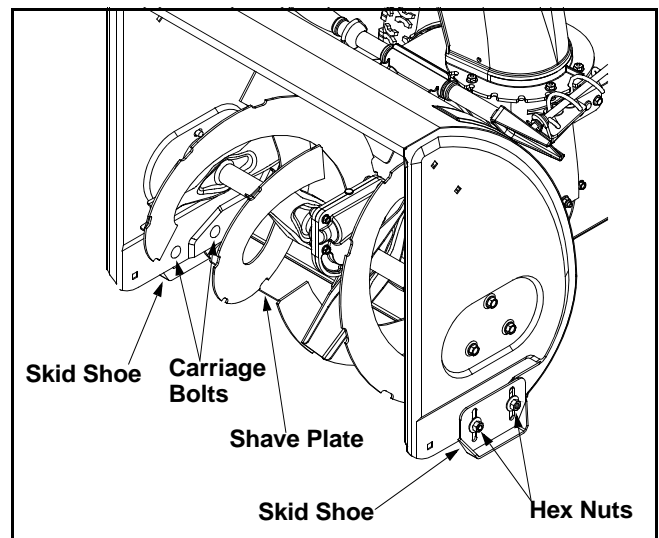


Figure 26

Augers

- The augers are secured to the spiral shaft with two shear bolts and hex lock nuts. If you hit a hard foreign object or ice jam, the snow thrower is designed so that the bolts may shear. Refer to Figure 24.
- If the augers will not turn, check to see if the bolts have sheared. Replacement shear bolts and hex lock nuts have been provided with the snow thrower. When replacing bolts, spray an oil lubricant into shaft before inserting new bolts.

IMPORTANT: NEVER replace the auger shear bolts with standard hex bolts. Any damage to the auger gearbox or other components as a result of doing so will NOT be covered by your snow thrower's warranty.

Belt Removal and Replacement

Auger Belts

NOTE: It is necessary to remove both belts in order to change either one (Model 614E has only one auger belt). If changing just one belt, be certain to check the condition of the other belt.

- Remove the plastic belt cover on the front of the engine by removing the two self-tapping screws. See Figure 27.
- Drain the gasoline from the snow thrower, or place a piece of plastic under the gas cap.
- Tip the snow thrower up and forward so that it rests on the auger housing.

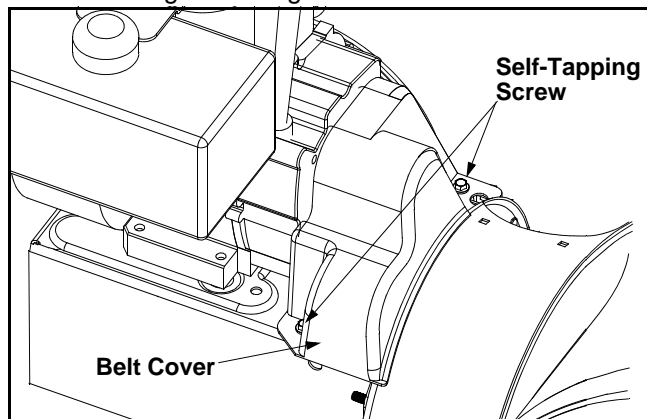


Figure 27

- Remove six self-tapping screws from the frame cover underneath the snow thrower.

- Roll the front and rear auger belts off the engine pulley. See Figure 28.

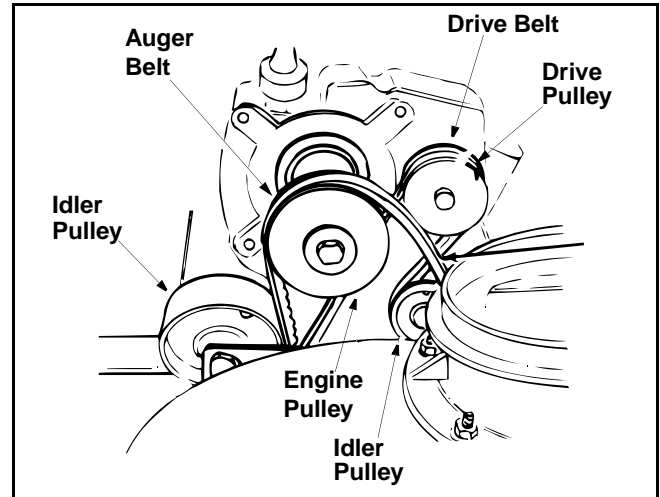


Figure 28

- Unhook the idler spring from the hex bolt on the auger housing. See Figure 29.

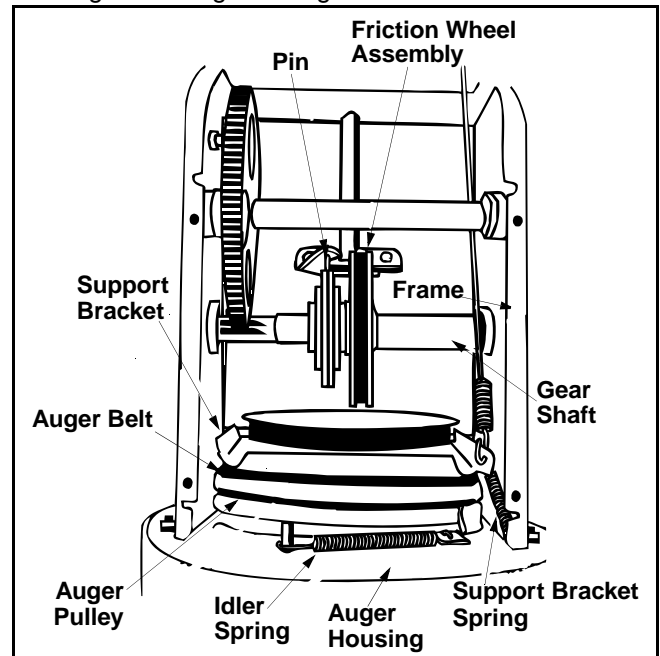


Figure 29

- Unhook the support bracket spring from the frame.

NOTE: It may be necessary to loosen the six hex nuts that fasten the frame to the auger housing to aid in belt removal.

- Lift the rear auger belt from the auger pulley, and slip belt between the support bracket and the auger pulley. Repeat this step to remove the front auger belt. See Figure 29.
- Reassemble auger drive belt(s) by following instructions in reverse order.

Drive Belt

- Follow first four steps of previous instructions.
- Pull idler pulley up, and lift belt off engine pulley and friction wheel disc. See Figure 28.
- Using a wrench, loosen the nut on the stop bolt until the support bracket rests on the auger pulley. See Figure 30.
- Slip belt between friction wheel and friction wheel disc. Remove and replace belt. Reassemble in reverse order.

NOTE: The support bracket must rest on the stop bolt after the new belt has been assembled. See Figure 30.

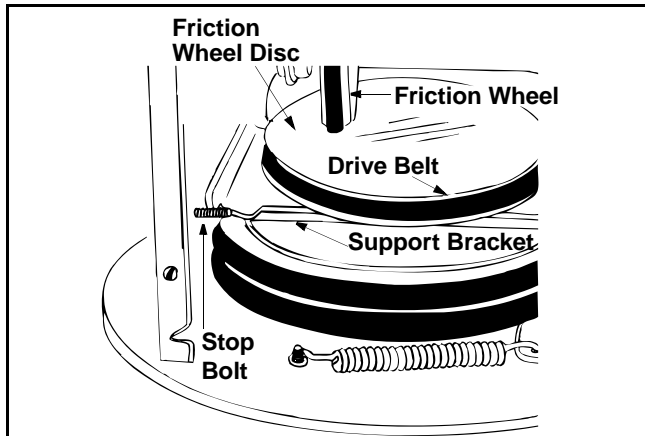


Figure 30

Friction Wheel Rubber

Replace the friction wheel rubber if any signs of wear or cracking are found. Follow instructions below to replace the rubber.

- Tip the snow thrower up and forward, so that it rests on housing. Refer to Figure 19.
- Remove six self-tapping screws from the frame cover underneath the snow thrower.
- Remove the click pins which secure the wheels, and remove the wheels from the axle.
- Using a wrench to hold the shaft, loosen, but do not completely remove, the hex nut and bell washer on the left end of gear shaft. See Figure 31.

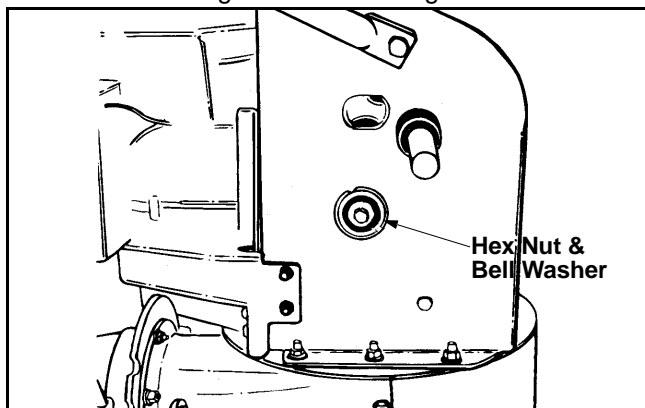


Figure 31

- Lightly tap the hex nut to dislodge the ball bearing from the right side of the frame. Remove the hex nut and bell washer from the left end of the shaft.
- Slide the gear shaft to the right then slide the friction wheel assembly from the shaft.
- Remove the four screws from the friction wheel assembly. See Figure 32.
- Remove the friction wheel rubber from between the friction wheel plate.
- Reassemble new friction wheel rubber to the friction wheel assembly, tightening the four screws in rotation and with equal force. See Figure 32.

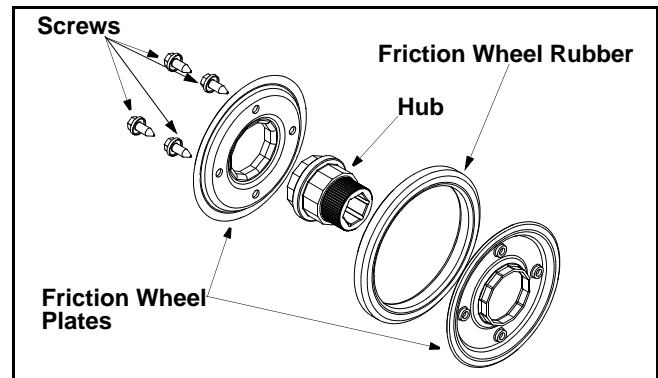


Figure 32

- Slide friction wheel assembly back onto the gear shaft. Be sure to align the pin on the shift rod with hole in the friction wheel assembly. See Figure 29.
- Reassemble gear shaft and the wheels. Reattach the frame cover. Flip snow thrower back to its operating position and remove any plastic from under the machine or around the gas cap if you had put it earlier.

Off-Season Storage



WARNING: Never store the machine or fuel container indoors where there is an open flame, spark or pilot light such as on a water heater, furnace, clothes dryer or other gas appliances.



WARNING: Drain fuel into an approved container outdoors, away from open flame. Allow engine to cool. Extinguish cigarettes, cigars, pipes, and other sources of ignition prior to draining fuel. Fuel left in engine for extended period deteriorates and will cause serious starting problems.

If unit is to be stored over 30 days, prepare for storage as follows:

- Remove gasoline from carburetor and fuel tank to prevent gum deposits from forming on these parts and causing possible malfunction of engine.

- Run engine until fuel tank is empty and engine stops due to lack of fuel.
- Drain carburetor by pressing upward on bowl drain, located below the carburetor cover.

NOTE: Fuel stabilizer, or “Sta-Bil” (Included with certain units), is an acceptable alternative in minimizing the formation of fuel gum deposits during storage. Do not drain carburetor if using fuel stabilizer.

- Wipe equipment with an oiled rag to prevent rust.

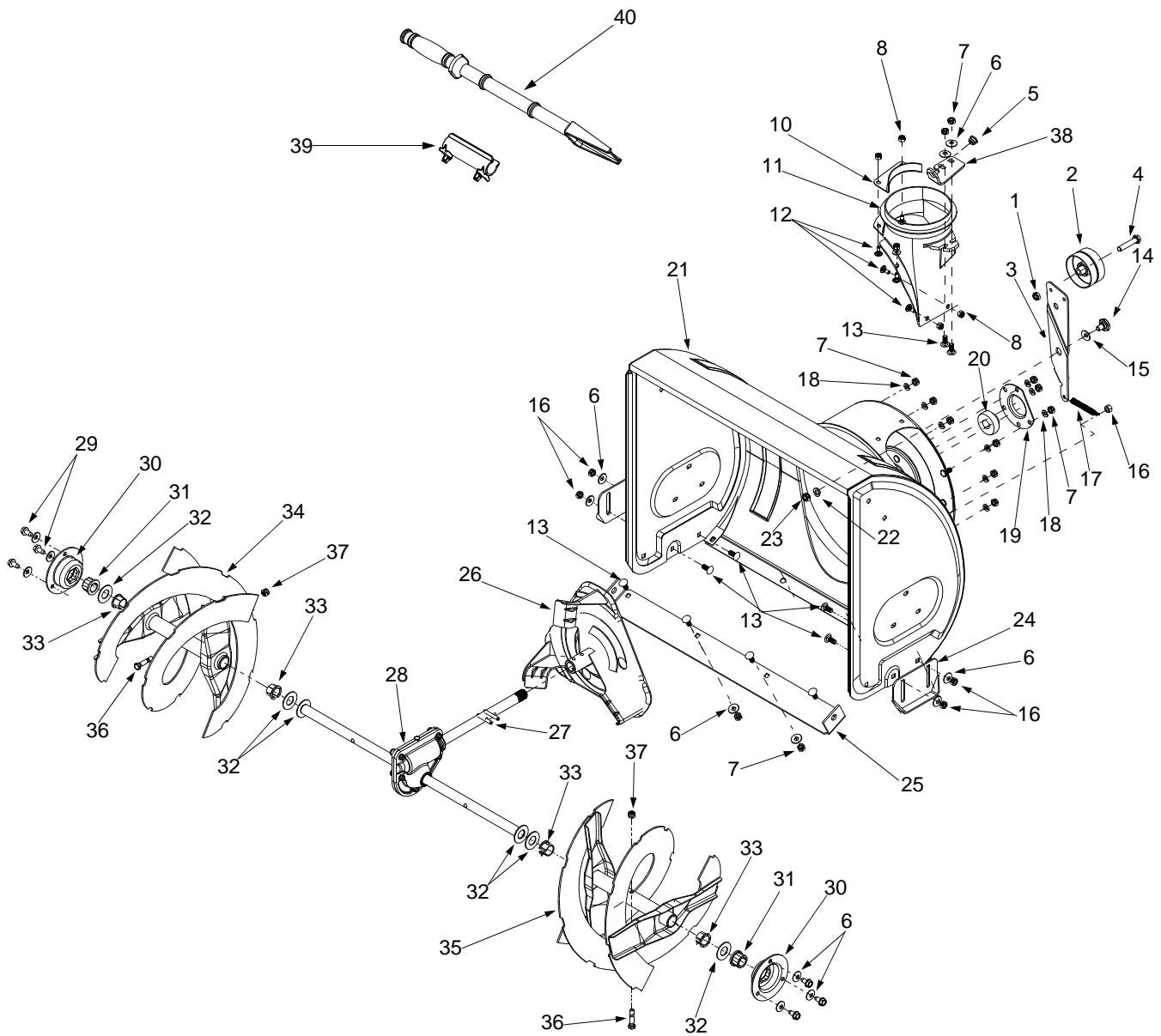
- Remove spark plug and pour one ounce of engine oil through spark plug hole into cylinder. Cover spark plug hole with rag. Crank engine several times to distribute oil. Replace spark plug.
- Follow the lubrication recommendations found in the Maintenance Section.
- Always store the snow thrower in a clean, dry area. When storing any type of power equipment in an unventilated or metal storage shed, care should be taken to rust proof the equipment. Using a light oil or silicone, coat the equipment, especially any chains, springs, bearings and cables.

SECTION 9: TROUBLE SHOOTING GUIDE

Trouble	Possible Cause(s)	Corrective Action
Engine fails to start	Fuel tank empty, or stale fuel. Blocked fuel line. Choke not in ON position Faulty spark plug. Key not in switch on engine. Spark plug wire disconnected. Primer button not depressed. Fuel shut-off valve closed (if so equipped).	Fill tank with clean, fresh gasoline. Fuel will not last over thirty days unless a fuel stabilizer is used. Clean fuel line. Move switch to ON position Clean, adjust gap or replace. Insert key. Connect spark plug wire. Refer to the engine manual. Open fuel shut-off valve.
Engine runs erratic	Unit running on CHOKE. Blocked fuel line or stale fuel. Water or dirt in fuel system. Carburetor out of adjustment.	Move choke lever to OFF position. Clean fuel line; fill tank with clean fresh gasoline. Fuel will not last over thirty days unless a fuel stabilizer is used. Drain fuel tank. Refill with fresh fuel. Refer to the engine manual.
Loss of power	Spark plug wire loose. Gas cap vent hole plugged. Exhaust port plugged.	Connect and tighten spark plug wire. Remove ice and snow from cap. Be certain vent hole is clear. Clean following the engine manual.
Engine overheats	Carburetor not adjusted properly. Incorrect fuel mixture.	Refer to the engine manual packed with your unit or have carburetor adjusted by an authorized service dealer. Drain fuel tank. Refill with proper fuel mixture.
Excessive vibration	Loose parts or damaged auger.	Stop engine immediately and disconnect spark plug wire. Tighten all bolts and nuts. Make all necessary repairs. If vibration continues, have unit serviced by an authorized service dealer.
Unit fails to propel itself	Incorrect adjustment of drive cable. Drive belt loose or damaged.	Adjust drive cable. Replace drive belt.
Unit fails to discharge snow	Discharge chute clogged. Foreign object lodged in auger. Incorrect adjustment of drive cable. Drive belt loose or damaged.	Stop engine immediately and disconnect spark plug wire. Clean discharge chute and inside of auger housing. Stop engine immediately and disconnect spark plug wire. Remove object from auger. Adjust drive cable. Replace drive belt.

NOTE: For repairs beyond the minor adjustments above, contact your local authorized service dealer.

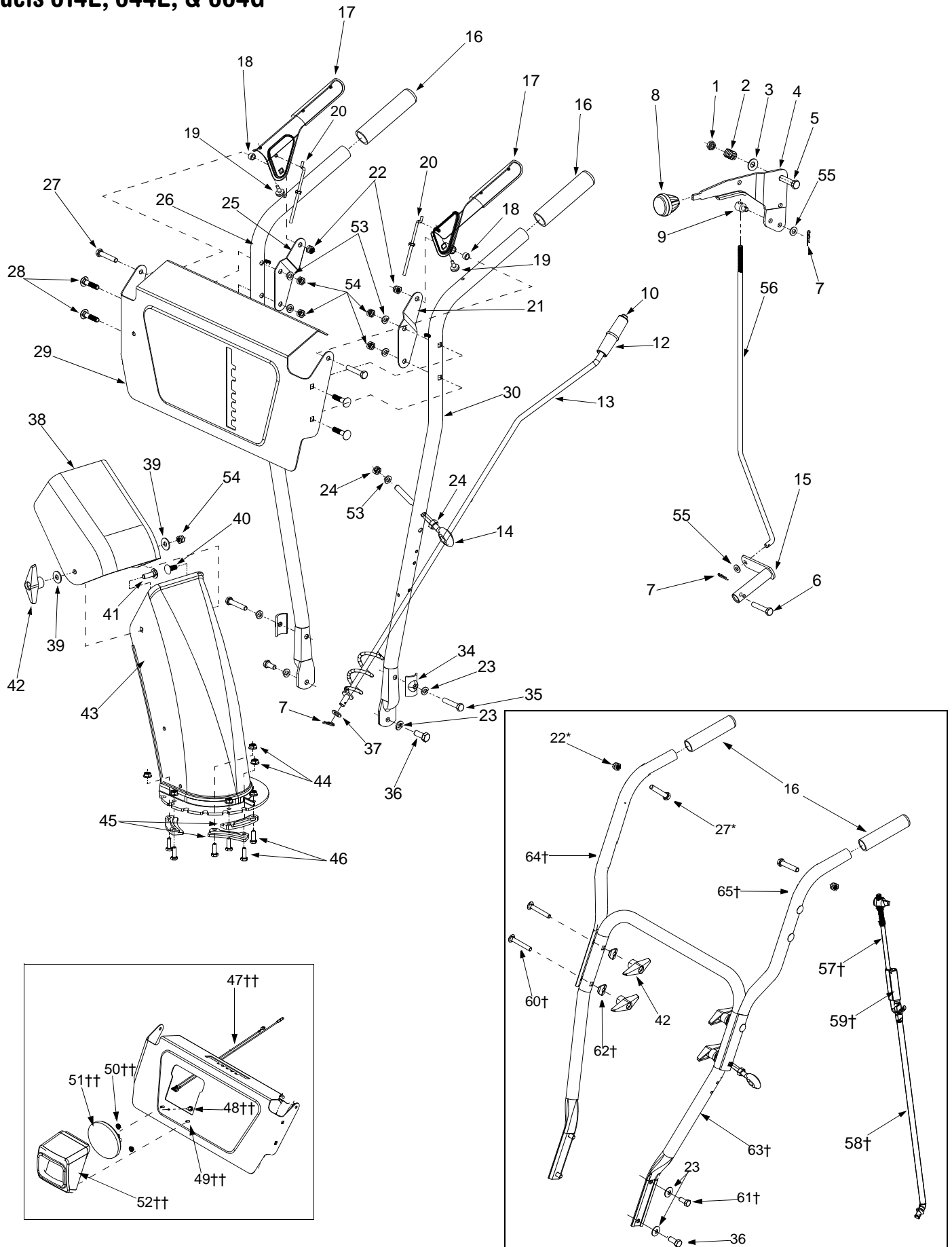
SECTION 10: MODELS 614E, 644E, & 664G



Models 614E, 644E, & 664G

REF. NO.	PART NO.	DESCRIPTION	REF. NO.	PART NO.	DESCRIPTION
1.	712-0116	Lock Jam Nut 3/8-24	23.	712-0798	Hex Nut 3/8-16
2.	756-0178	Flat Idler	24.	784-5580	Slide Shoe
3.	784-5632B	Auger Idler Arm	25.	784-5581A	24" Shave Plate
4.	710-0459A	Hex Cap Screw 3/8-24 x 1.50		784-5582A	28" Shave Plate
5.	741-0475	Bushing	26.	684-0065	Impeller Assembly
6.	736-0242	Bell Washer	27.	715-0114	Pin
7.	712-3010	Hex Nut 5/16-18	28.	618-0120A	24" Gear Assembly
8.	712-3027	Hex Lock Nut 1/4-20		618-0122A	28" Gear Assembly
10.	705-5226	Reinforcement Chute	29.	710-0726	Hex Washer Screw 5/16-12
11.	731-1379C	Chute Adapter	30.	784-5618	Bearing Housing
12.	710-0703	Carriage Screw 1/4-20 x.62	31.	741-0245	Hex Flange Bearing
13.	710-0451	Carriage Bolt 5/16-18	32.	736-0188	Flat Washer
14.	738-0281	Shoulder Screw	33.	741-0493A	Flange Bushing
15.	736-0167	Flat Washer	34.	605-5188A	Spiral 24" RH
16.	712-3010	Hex Nut 5/16-18		605-5196A	Spiral 28" RH
17.	732-0611	Extension Spring	35.	605-5189A	Spiral 24" LH
18.	736-0119	Lock Washer 5/16		605-5197A	Spiral 28" LH
19.	05931A	Bearing Housing	36.	710-0890A	Shear Bolt 5/16-18 x 1.5
20.	741-0309	Ball Bearing	37.	712-0429	Lock Nut 5/16-18
21.	684-0039D	24" Housing Assembly	38.	784-5647	Chute Directional Control Bracket
	684-0041D	28" Housing Assembly	39.	731-2635	Clean-Out Tool Mount
22.	736-0169	Lock Washer 3/8	40.	731-2643	Clean-Out Tool

Models 614E, 644E, & 664G



†Models w/Folding Handles

*Ref. Nos. 22 and 27 reversed for fold down handles.

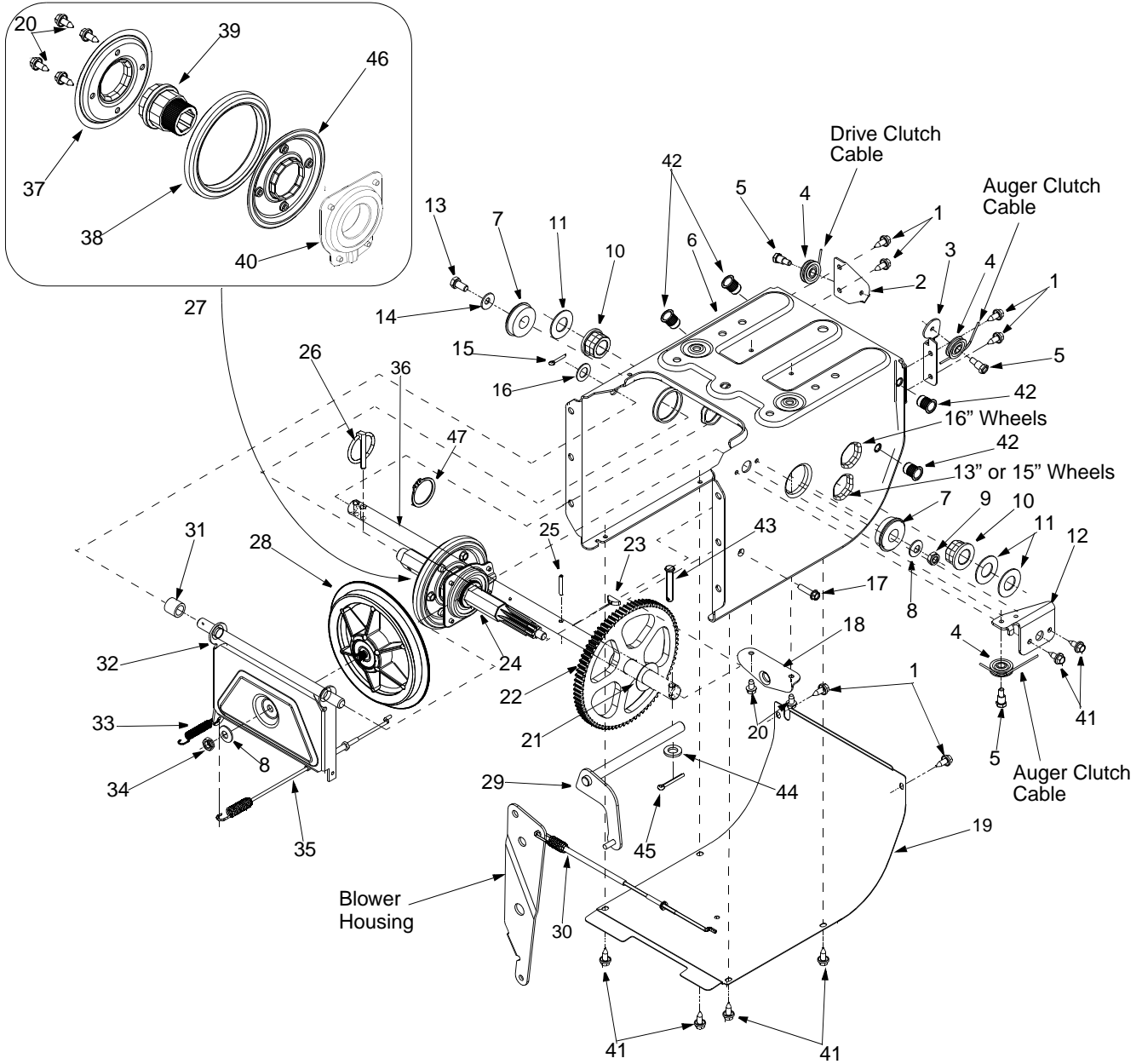
Models 614E, 644E, & 664G

REF. NO.	PART NO.	DESCRIPTION	REF. NO.	PART NO.	DESCRIPTION
1.	712-0116	Jam Lock Nut 3/8-24	30.	749-0911C	Handle LH
2.	732-0193	Compression Spring	34.	784-5599	Handle Tab
3.	736-0105	Bell Washer	35.	710-04039	Hex Cap Screw 5/16-18 x 2.0
4.	784-5619A	Shift Handle	36.	710-1880	Hex Cap Screw 5/16-18 x.75
5.	710-0459A	Hex Cap Screw 3/8-24	37.	736-0185	Flat Washer
6.	710-0788	Tap Screw 1/4-20	38.	731-04426	Upper Chute
7.	714-0104	Cotter Pin	39.	736-0159	5/16 Washer
8.	720-0232	Shift Knob - Black	40.	710-0451	Carriage Bolt 5/16-18 x.75
	720-04030	Shift Knob - Yellow	41.	710-04071	Carriage Screw 5/16-18 x 1.0
9.	711-0677	Ferrule	42.	720-0284	Knob - Black
10.	726-0100	Push Cap		720-04032	Knob - Yellow
12.	720-0201A	Crank Knob - Black	43.	731-1300B	Lower Chute
	720-04031	Crank Knob - Yellow	44.	712-3027	Hex Lock Nut 1/4-20
13.	684-0022	Chute Crank Assembly	45.	731-0851A	Flange Keeper
14.	747-0697	Eyebolt	46.	710-3015	Hex Cap Screw 1/4-20 x.75
-	735-0234	Grommet only	47.	629-0058††	Round Light Harness
15.	684-0008A	Shift Arm Assy	48.	710-1652††	Hex Tap Screw 1/4-20 x.625
16.	720-0274	Grip	49.	710-1003††	Hex Screw
17.	705-5233A	Clutch Lever Assy LH - Black	50.	712-0415††	Hex Nut
	684-04054	Clutch Lever Assy LH - Yellow	51.	725-1300††	Headlight 18 Watts
	705-5234A	Clutch Lever Assy RH - Black	52.	731-1317††	Headlight Cover
	684-04053	Clutch Lever Assy RH - Yellow	53.	736-0242	Bell Washer
18.	750-1032	Spacer	54.	712-3068	Hex Patch Nut 5/16-18
19.	735-0199A	Rubber Bumper	55.	736-0275	Flat Washer.344 ID x.688 OD
20.	746-0778	Z Cable Fitting	56.	747-0921	Shift Rod
21.	705-5275	Lever Bracket LH	57.	747-0620A†	Upper Shift Rod
22.	712-0429	Lock Hex Nut 5/16-18	58.	747-0621†	Lower Shift Rod
23.	736-0119	Lock Washer 5/16	59.	750-0963†	Clutch Rod Connector
24.	712-3010	Hex Nut 5/16-18	60.	710-0449†	Carriage Screw 5/16-18
25.	705-5274	Lever Bracket RH	61.	710-0643†	Hex Cap Screw 5/16-18
26.	749-0910C	Handle RH	62.	736-0451†	Saddle Washer.320 ID x.93 OD
27.	710-3103	Hex Cap Screw 5/16-18 x 2.0	63.	749-0951†	Lower Handle
28.	710-0262	Carriage Bolt 5/16-18 x 1.50	64.	749-0952A†	Upper Handle RH
29.	684-0106	Control Panel Assy	65.	749-0953A†	Upper Handle LH

† Models w/Fold Down Handles Only

†† If Equipped

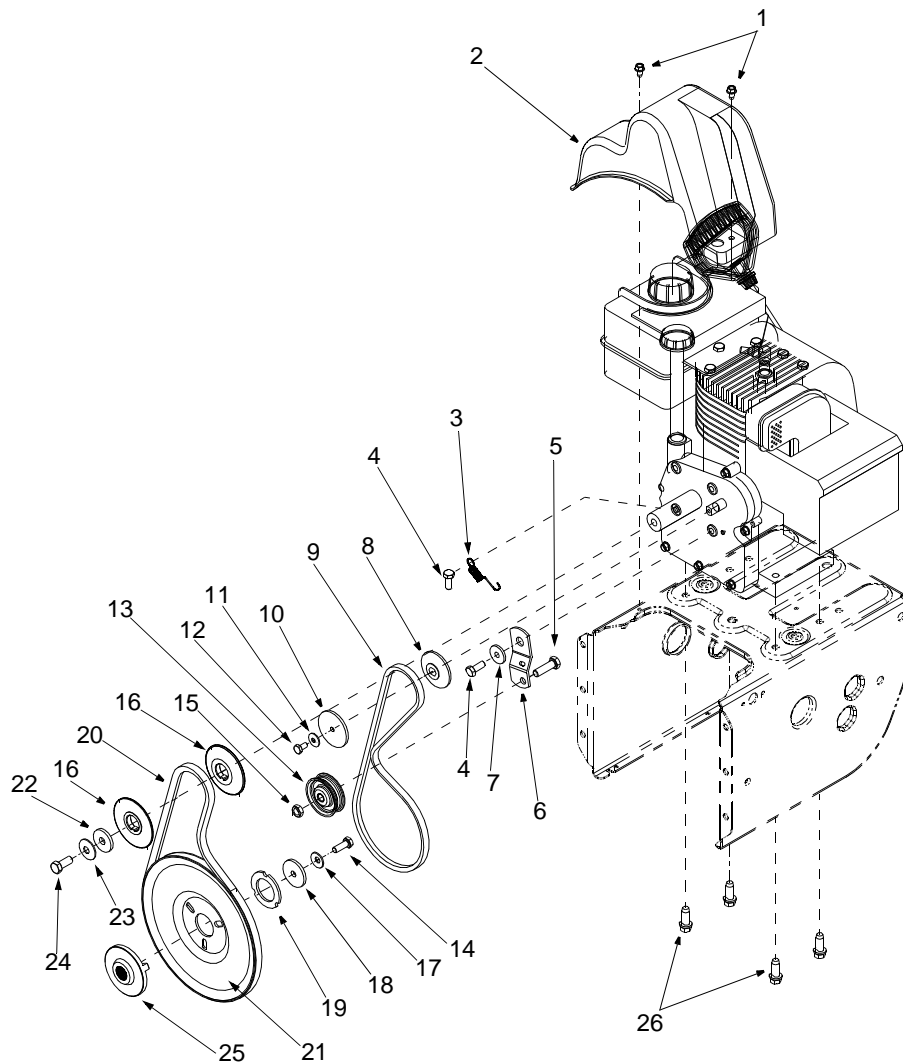
Models 614E, 644E, & 664G



Models 614E, 644E, & 664G

REF. NO.	PART NO.	DESCRIPTION	REF. NO.	PART NO.	DESCRIPTION
1.	710-0599	Hex Screw	25.	715-0249	Roll Pin
2.	784-5688	Drive Cable Guide Bracket	26.	714-0143	Klik Pin
3.	784-5687A	Auger Clutch Cable Bracket	27.	684-0042C	Friction Wheel Assembly
4.	756-0625	Roller Cable	28.	656-0012A	Friction Disc Wheel
5.	738-0924	Hex Screw 1/4-28	29.	684-0013B	Wheel Shift Rod Assembly
6.	784-5630B	Frame Assembly	30.	746-0897	Drive Cable
7.	741-0563	Ball Bearing	31.	748-0190	Spacer
8.	736-0105	Bell Washer	32.	684-0021	Friction Wheel Bracket Assembly
9.	712-0116	Lock Jam Nut	33.	732-0264	Extension Spring
10.	741-4026	Hex Flange Bearing	34.	712-0711	Jam Nut 3/8-24
11.	736-0188	Flat Washer	35.	746-0898B	Drive Cable
12.	784-5689A	Front Support Guide Bracket	36.	738-0869	Axle 13" Wheels
13.	710-0538	Lock Hex Screw		738-0830	Axle 16" Wheels
14.	736-0242	Bell Washer.340 ID x.872 OD	37.	790-00010	Friction Plate
15.	714-0474	Cotter Pin	38.	735-0243B	Friction Wheel Rubber
16.	736-0160	Flat Washer.536 ID x.930 OD	39.	718-0301A	Friction Wheel Hub
17.	710-0809	Hex Washer Screw 1/4-20	40.	618-0063A	Friction Wheel Bearing
18.	784-5590	Frame Shift Bracket	41.	710-1652	Tap Screw 1/4-20
19.	784-5638A	Frame Cover	42.	712-0703A	Insert Nut 5/16-18
20.	710-1652	Hex Washer Screw 1/4-20	43.	711-1364	Clevis Pin
21.	736-0351	Flat Washer.760 ID x.50 OD	44.	736-0142	Flat Washer.281 ID x.50 OD
22.	717-1445	Gear	45.	714-0507	Cotter Pin
23.	714-0126	Key	46.	790-00011	Friction Plate
24.	717-04094	7-Tooth Shaft	47.	716-0102	Snap Ring

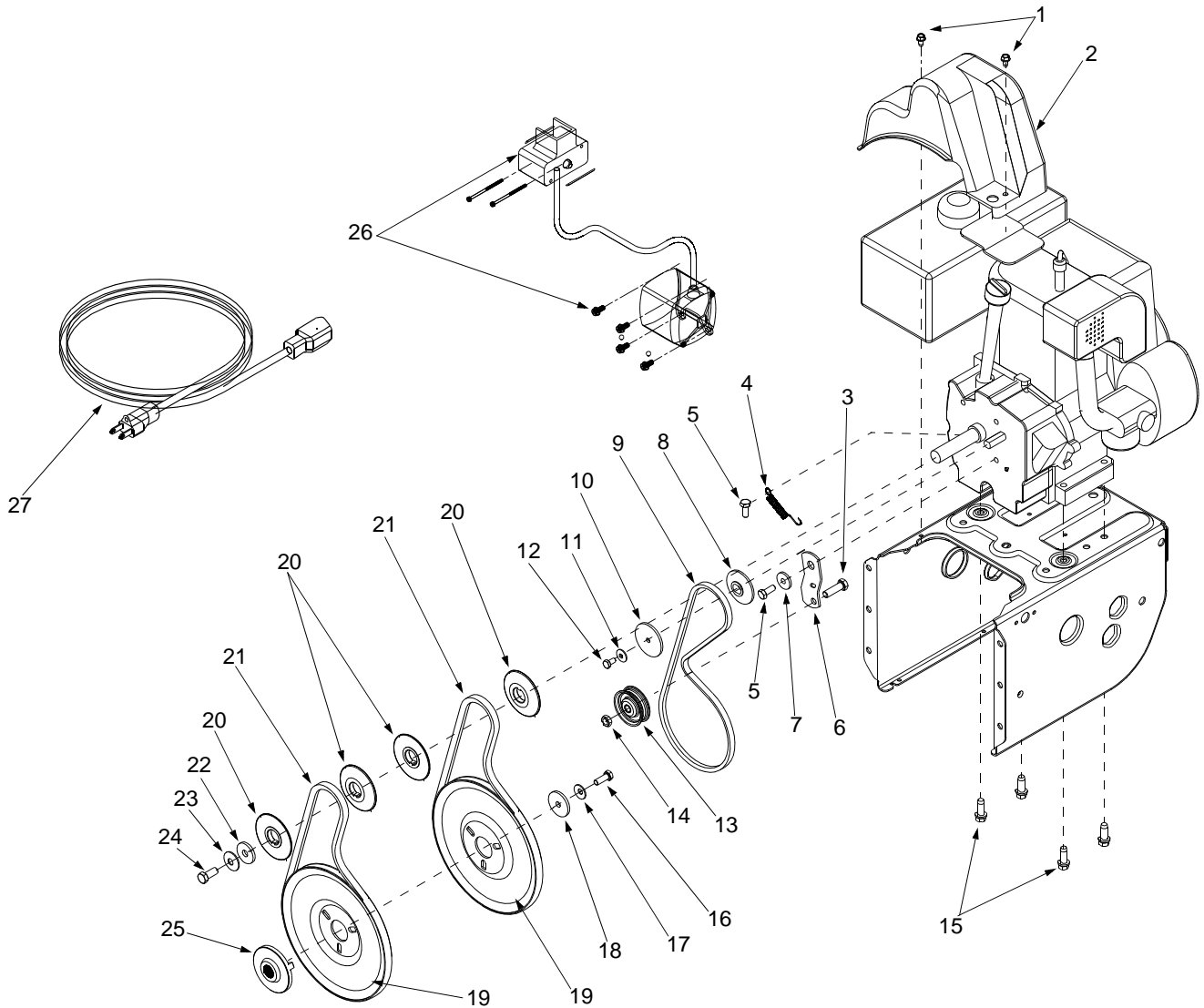
Models 614E



IMPORTANT: For a proper working machine, use Factory Approved Parts.
V-BELTS are specially designed to engage and disengage safely. A substitute (non OEM) V-Belt can be dangerous by not disengaging completely.

REF. NO.	PART NO.	DESCRIPTION	REF. NO.	PART NO.	DESCRIPTION
1.	710-1652	Hex Washer Screw 1/4-20 x.5	14.	710-1245B	Lock Cap Screw 5/16-24
2.	731-1324	Belt Cover	15.	712-0181	Lock Jam Nut 3/8-16
3.	732-0339	Extension Spring	16.	756-0569	Pulley Half
4.	710-0627	Hex Screw 5/16-24 x.75	17.	736-0242	Bell Washer
5.	710-3005	Hex Cap Screw 3/8-16 x 1.25	18.	736-0505	Flat Washer
6.	05896A	Drive Clutch Bracket	19.	736-0507	Washer
7.	748-0234	Shoulder Spacer	20.	754-0430B	Belt
8.	756-0985	Pulley Half	21.	756-0967	Auger Pulley
9.	754-0343	V-Belt	22.	736-0247	Flat Washer
10.	756-0984	Pulley Half	23.	736-0331	Bell Washer
11.	736-0270	Bell Washer	24.	710-0696	Hex Cap Screw 3/8-24
12.	710-0230	Hex Cap Screw 1/4-28 x.50	25.	748-0360	Pulley
13.	756-0313	Flat Idler	26.	710-0654A	Hex Washer Screw 3/8-16 x 1.0

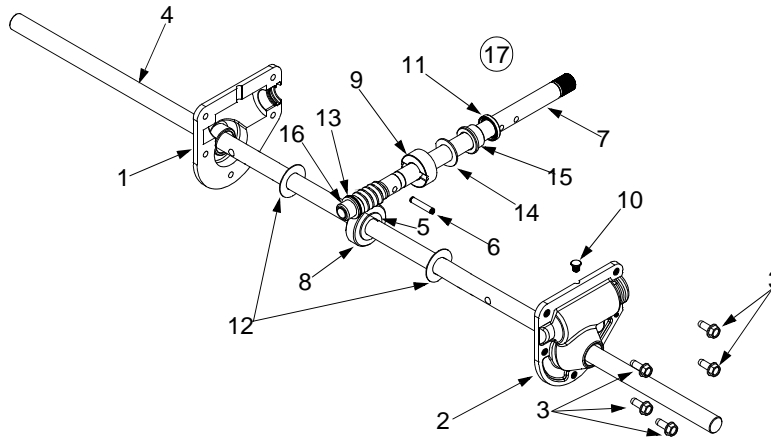
Models 644E & 664G



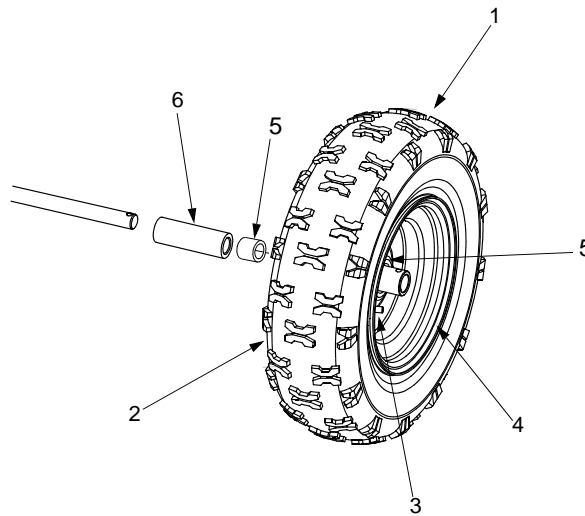
IMPORTANT: For a proper working machine, use Factory Approved Parts.
V-BELTS are specially designed to engage and disengage safely. A substitute (non OEM) V-Belt can be dangerous by not disengaging completely.

REF. NO.	PART NO.	DESCRIPTION	REF. NO.	PART NO.	DESCRIPTION
1.	710-1652	Hex Washer Screw 1/4-20 x.50	15.	710-0654A	Hex Washer Screw 3/8-16 x 1.0
2.	731-1324	Belt Cover	16.	710-1245B	Hex Lock Screw 5/16-24 x.875
3.	710-3005	Hex Cap Screw 3/8-16 x 1.25	17.	736-0242	Bell Washer.340 ID x.872 OD
4.	732-0710	Extension Spring	18.	736-0505	Flat Washer.341 ID x.50 OD
5.	710-0627	Hex Screw 5/16-24 x.75	19.	756-0967	Auger Pulley
6.	05896A	Drive Clutch Idler Bracket	20.	756-0569	Pulley Half
7.	748-0234	Shoulder Spacer	21.	754-0430B	V-Belt
8.	756-0987	Pulley Half	22.	736-0247	Flat Washer
9.	754-0346	Belt	23.	736-0331	Bell Washer.39 ID x 1.13 OD
10.	756-0986	Pulley Half	24.	710-0696	Hex Cap Screw 3/8-24 x.875
11.	736-0270	Bell Washer	25.	748-0360	Pulley Adapter
12.	710-0230	Hex Cap Screw	26.	OEM-390-987	Electric Start
13.	756-0313	Flat Idler	27.	629-0071	Extension Cord, Three-Prong
14.	712-0181	Lock Jam Nut 3/8-16			

Models 614E, 644E, & 664G



REF. NO.	PART NO.	DESCRIPTION	REF. NO.	PART NO.	DESCRIPTION
1.	618-0123	Housing—R.H.	10.	721-0325	Plug
2.	618-0124	Housing—L.H.	11.	721-0327	Oil Seal
3.	710-0642	Hex Screw 1/4-20 x.75	12.	736-0351	Flat Washer
4.	711-0908A	Spiral Axle 24"	13.	736-0369	Flat Washer
	711-0910A	Spiral Axle 28"	14.	736-0445	Flat Washer
5.	714-0161	Key	15.	741-0662	Flange Bearing
6.	715-0143	Spiral Pin	16.	741-0663	Flange Bearing
7.	717-0526	Worm Shaft	17.	618-0120A	Ass'y. Complete 24"
8.	717-0528	Worm Gear		618-0122A	Ass'y. Complete 28"
9.	718-0186	Thrust Collar			



Wheel Assembly						
SIZE	REF. NO. 1 WHEEL ASS'Y COMPLETE	REF. NO. 2 TIRE ONLY	REF. NO. 3 AIR VALVE	REF. NO. 4 RIM ONLY	REF. NO. 5 SLEEVE BEARING (2)	REF. NO. 6 SPACER
13 x 4	634-0114A	734-1732	734-0255	734-1713A	741-0401	731-04044
13 x 5	734-1714A	734-1527	734-0255	734-1713A	741-0401	731-04044
16.5 x 4.8	734-1709A	734-1530	734-0255	734-1708A	741-0401	731-04043

NOTES

MANUFACTURER'S LIMITED WARRANTY FOR:



The limited warranty set forth below is given by MTD LLC with respect to new merchandise purchased and used in the United States, its possessions and territories.

"MTD" warrants this product against defects in material and workmanship for a period of two (2) years commencing on the date of original purchase and will, at its option, repair or replace, free of charge, any part found to be defective in materials or workmanship. This limited warranty shall only apply if this product has been operated and maintained in accordance with the Operator's Manual furnished with the product, and has not been subject to misuse, abuse, commercial use, neglect, accident, improper maintenance, alteration, vandalism, theft, fire, water, or damage because of other peril or natural disaster. Damage resulting from the installation or use of any part, accessory or attachment not approved by MTD for use with the product(s) covered by this manual will void your warranty as to any resulting damage.

Normal wear parts or components thereof are subject to separate terms as follows: All normal wear parts or component failures will be covered on the product for a period of 90 days regardless of cause. After 90 days, but within the two year period, normal wear part failures will be covered ONLY IF caused by defects in materials or workmanship of OTHER component parts. Normal wear parts and components include, but are not limited to: batteries, belts, blades, blade adapters, grass bags, rider deck wheels, seats, snow thrower skid shoes, shave plates, auger spiral rubber, and tires.

HOW TO OBTAIN SERVICE: Warranty service is available, WITH PROOF OF PURCHASE, through your local authorized service dealer. To locate the dealer in your area, check your Yellow Pages, or contact MTD LLC at P.O. Box 361131, Cleveland, Ohio 44136-0019, or call 1-800-800-7310 or 1-330-220-4683 or log on to our Web site at www.mtdproducts.com.

This limited warranty does not provide coverage in the following cases:

- a. The engine or component parts thereof. These items may carry a separate manufacturer's warranty. Refer to applicable manufacturer's warranty for terms and conditions.
- b. Log splitter pumps, valves, and cylinders have a separate one year warranty.
- c. Routine maintenance items such as lubricants, filters, blade sharpening, tune-ups, brake adjustments, clutch adjustments, deck adjustments, and normal deterioration of the exterior finish due to use or exposure.

IMPORTANT: Owner must present Original Proof of Purchase to obtain warranty coverage.

MTD LLC, P.O. BOX 361131 CLEVELAND, OHIO 44136-0019; Phone: 1-800-800-7310, 1-330-220-4683

- d. MTD does not extend any warranty for products sold or exported outside of the United States, its possessions and territories, except those sold through MTD's authorized channels of export distribution.
- e. Replacement parts that are not genuine MTD parts.
- f. Service completed by someone other than an authorized service dealer.
- g. Transportation charges and service calls.

No implied warranty, including any implied warranty of merchantability of fitness for a particular purpose, applies after the applicable period of express written warranty above as to the parts as identified. No other express warranty, whether written or oral, except as mentioned above, given by any person or entity, including a dealer or retailer, with respect to any product, shall bind MTD. During the period of the warranty, the exclusive remedy is repair or replacement of the product as set forth above.

The provisions as set forth in this warranty provide the sole and exclusive remedy arising from the sale. MTD shall not be liable for incidental or consequential loss or damage including, without limitation, expenses incurred for substitute or replacement lawn care services or for rental expenses to temporarily replace a warranted product.

Some states do not allow the exclusion or limitation of incidental or consequential damages, or limitations on how long an implied warranty lasts, so the above exclusions or limitations may not apply to you.

In no event shall recovery of any kind be greater than the amount of the purchase price of the product sold. **Alteration of safety features of the product shall void this warranty.** You assume the risk and liability for loss, damage, or injury to you and your property and/or to others and their property arising out of the misuse or inability to use the product.

This limited warranty shall not extend to anyone other than the original purchaser or to the person for whom it was purchased as a gift.

HOW STATE LAW RELATES TO THIS WARRANTY: This limited warranty gives you specific legal rights, and you may also have other rights which vary from state to state.

Free Manuals Download Website

<http://myh66.com>

<http://usermanuals.us>

<http://www.somanuals.com>

<http://www.4manuals.cc>

<http://www.manual-lib.com>

<http://www.404manual.com>

<http://www.luxmanual.com>

<http://aubethermostatmanual.com>

Golf course search by state

<http://golfingnear.com>

Email search by domain

<http://emailbydomain.com>

Auto manuals search

<http://auto.somanuals.com>

TV manuals search

<http://tv.somanuals.com>