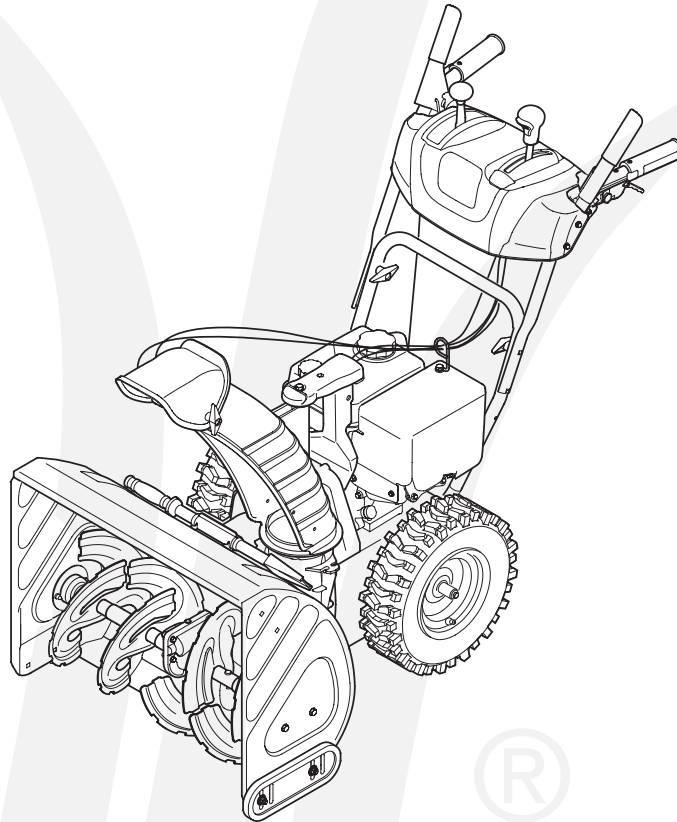


OPERATOR'S MANUAL



Two-Stage Snow Thrower

**IMPORTANT:
READ SAFETY RULES AND
INSTRUCTIONS CAREFULLY
BEFORE OPERATION**

This Operator's Manual is an important part of your new snow thrower. It will help you assemble, prepare and maintain the unit for best performance. Please read and understand what it says.


Table of Contents

Safety Symbols.....	3	Maintaining Your Snow Thrower.....	14
Safe Operation Practices.....	4	Off-Season Storage.....	16
Setting Up Your Snow Thrower.....	6	Trouble Shooting.....	17
Operating Your Snow Thrower.....	8	Warranty.....	18
Making Adjustments.....	12	Illustrated Parts Lists.....	19

Finding and Recording Model Number

BEFORE YOU START ASSEMBLING YOUR NEW EQUIPMENT, please locate the model plate on the equipment and copy the model number and the serial number to the sample model plate provided to the right. You can locate the model plate by standing at the operating position and looking down at the frame.

Model Number Numéro de modèle	Serial Number Numéro de série
XXX-XXXXXX	XXXXXXXXXXXX

 CUB CADET CANADA
KITCHENER, ON N2G 4J1

Customer Support

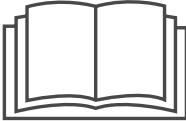







Please do **NOT** return the unit to the retailer from which it was purchased, without first contacting Customer Support.

If you have difficulty assembling this product or have any questions regarding the controls, operation or maintenance of this unit, you can seek help from the experts. Choose from the options below:

1. Visit www.cubcadet.ca/cubcadet for many useful suggestions.
2. Call an authorized dealer **or** Customer Support Representative at **1-800-668-1238**.
3. The engine manufacturer is responsible for all engine-related issues in terms of performance, power-rating, specifications, warranty, and service. Depending on the engine manufacturer, more information is included in this publication or packed separately with this product.

Please have your unit's model number and serial number ready when you call. See previous section to locate this information. You will be asked to enter the serial number in order to process your call.

This page depicts and describes safety symbols that may appear on this product. Read, understand, and follow all instructions on the machine before attempting to assemble and operate.

Symbol	Description
	READ THE OPERATOR'S MANUAL(S) Read, understand, and follow all instructions in the manual(s) before attempting to assemble and operate.
	WARNING— ROTATING BLADES Keep hands out of inlet and discharge openings while machine is running. There are rotating blades inside.
	WARNING— ROTATING BLADES Keep hands out of inlet and discharge openings while machine is running. There are rotating blades inside.
	WARNING— ROTATING AUGER Do not put hands or feet near rotating parts, in the auger/impeller housing or chute assembly. Contact with the rotating parts can amputate hands and feet.
	WARNING—THROWN OBJECTS This machine may pick up and throw objects which can cause serious personal injury.
	WARNING—GASOLINE IS FLAMMABLE Allow the engine to cool at least two minutes before refueling.
	WARNING— CARBON MONOXIDE Never run an engine indoors or in a poorly ventilated area. Engine exhaust contains carbon monoxide, an odorless and deadly gas.
	WARNING— ELECTRICAL SHOCK Do not use the engine's electric starter in the rain.

1

Safety Symbols



WARNING

This symbol points out important safety instructions which, if not followed, could endanger the personal safety and/or property of yourself and others. Read and follow all instructions in this manual before attempting to operate this machine. Failure to comply with these instructions may result in personal injury. When you see this symbol, **HEED ITS WARNING!**

Your Responsibility
Restrict the use of this power machine to persons who read, understand and follow the warnings and instructions in this manual and on the machine.

2

Safe Operation Practices



WARNING

This symbol points out important safety instructions which, if not followed, could endanger the personal safety and/or property of yourself and others. Read and follow all instructions in this manual before attempting to operate this machine. Failure to comply with these instructions may result in personal injury. When you see this symbol, HEED

ITS WARNING!

Your Responsibility

Restrict the use of this power machine to persons who read, understand and follow the warnings and instructions in this manual and on the machine.



WARNING: Engine Exhaust, some of its constituents, and certain vehicle components contain or emit chemicals known to State of California to cause cancer and birth defects or other reproductive harm.

DANGER: This machine was built to be operated according to the safe operation practices in this manual. As with any type of power equipment, carelessness or error on the part of the operator can result in serious injury. This machine is capable of amputating hands and feet and throwing objects. Failure to observe the following safety instructions could result in serious injury or death.

Training

1. Read, understand, and follow all instructions on the machine and in the manual(s) before attempting to assemble and operate. Keep this manual in a safe place for future and regular reference and for ordering replacement parts.
2. Be familiar with all controls and their proper operation. Know how to stop the machine and disengage them quickly.
3. Never allow children under 14 years old to operate this machine. Children 14 years old and over should read and understand the instructions and safe operation practices in this manual and on the machine and be trained and supervised by an adult.
4. Never allow adults to operate this machine without proper instruction.
5. Thrown objects can cause serious personal injury. Plan your snow-throwing pattern to avoid discharge of material toward roads, bystanders and the like.
6. Keep bystanders, helpers, pets and children at least 75 feet from the machine while it is in operation. Stop machine if anyone enters the area.
7. Exercise caution to avoid slipping or falling, especially when operating in reverse.

Preparation

Thoroughly inspect the area where the equipment is to be used. Remove all doormats, newspapers, sleds, boards, wires and other foreign objects, which could be tripped over or thrown by the auger/impeller.

1. Always wear safety glasses or eye shields during operation and while performing an adjustment or repair to protect your eyes. Thrown objects which ricochet can cause serious injury to the eyes.
2. Do not operate without wearing adequate winter outer garments. Do not wear jewelry, long scarves or other loose clothing, which could become entangled in moving parts. Wear footwear which will improve footing on slippery surfaces.
3. Use a grounded three-wire extension cord and receptacle for all units with electric start engines.
4. Adjust collector housing height to clear gravel or crushed rock surfaces.
5. Disengage all control levers before starting the engine.
6. Never attempt to make any adjustments while engine is running, except where specifically recommended in the operator's manual.
7. Let engine and machine adjust to outdoor temperature before starting to clear snow.

Safe Handling of Gasoline

To avoid personal injury or property damage use extreme care in handling gasoline. Gasoline is extremely flammable and the vapors are explosive. Serious personal injury can occur when gasoline is spilled on yourself or your clothes, which can ignite. Wash your skin and change clothes immediately.

- a. Use only an approved gasoline container.
- b. Extinguish all cigarettes, cigars, pipes and other sources of ignition.
- c. Never fuel machine indoors.
- d. Never remove gas cap or add fuel while the engine is hot or running.
- e. Allow engine to cool at least two minutes before refueling.
- f. Never over fill fuel tank. Fill tank to no more than ½ inch below bottom of filler neck to provide space for fuel expansion.
- g. Replace gasoline cap and tighten securely.
- h. If gasoline is spilled, wipe it off the engine and equipment. Move machine to another area. Wait 5 minutes before starting the engine.
- i. Never store the machine or fuel container inside where there is an open flame, spark or pilot light (e.g. furnace, water heater, space heater, clothes dryer etc.).
- j. Allow machine to cool at least 5 minutes before storing.
- k. Never fill containers inside a vehicle or on a truck or trailer bed with a plastic liner. Always place containers on the ground away from your vehicle before filling.
- l. If possible, remove gas-powered equipment from the truck or trailer and refuel it on the ground. If this is not possible, then refuel such equipment on a trailer with a portable container, rather than from a gasoline dispenser nozzle.
- m. Keep the nozzle in contact with the rim of the fuel tank or container opening at all times until fueling is complete. Do not use a nozzle lock-open device.

Operation

1. Do not put hands or feet near rotating parts, in the auger/impeller housing or chute assembly. Contact with the rotating parts can amputate hands and feet.
2. The auger/impeller control lever is a safety device. Never bypass its operation. Doing so makes the machine unsafe and may cause personal injury.
3. The control levers must operate easily in both directions and automatically return to the disengaged position when released.
4. Never operate with a missing or damaged chute assembly. Keep all safety devices in place and working.
5. Never run an engine indoors or in a poorly ventilated area. Engine exhaust contains carbon monoxide, an odorless and deadly gas.
6. Do not operate machine while under the influence of alcohol or drugs.
7. Muffler and engine become hot and can cause a burn. Do not touch.
8. Exercise extreme caution when operating on or crossing gravel surfaces. Stay alert for hidden hazards or traffic.
9. Exercise caution when changing direction and while operating on slopes.
10. Plan your snow-throwing pattern to avoid discharge towards windows, walls, cars etc. Thus, avoiding possible property damage or personal injury caused by a ricochet.
11. Never direct discharge at children, bystanders and pets or allow anyone in front of the machine.
12. Do not overload machine capacity by attempting to clear snow at too fast of a rate.
13. Never operate this machine without good visibility or light. Always be sure of your footing and keep a firm hold on the handles. Walk, never run.
14. Disengage power to the auger/impeller when transporting or not in use.
15. Never operate machine at high transport speeds on slippery surfaces. Look down and behind and use care when backing up.
16. If the machine should start to vibrate abnormally, stop the engine, disconnect the spark plug wire and ground it against the engine. Inspect thoroughly for damage. Repair any damage before starting and operating.
17. Disengage all control levers and stop engine before you leave the operating position (behind the handles). Wait until the auger/impeller comes to a complete stop before unclogging the chute assembly, making any adjustments, or inspections.
18. Never put your hand in the discharge or collector openings. Always use the clean-out tool provided to unclog the discharge opening. Do not unclog chute assembly while engine is running. Shut off engine and remain behind handles until all moving parts have stopped before unclogging.
19. Use only attachments and accessories approved by the manufacturer (e.g. wheel weights, tire chains, cabs etc.).
20. When starting engine, pull cord slowly until resistance is felt, then pull rapidly. Rapid retraction of starter cord (kickback) will pull hand and arm toward engine faster than you can let go. Broken bones, fractures, bruises or sprains could result.
21. If situations occur which are not covered in this manual, use care and good judgment. Call customer assistance for the name of your nearest servicing dealer.

Maintenance & Storage

1. Never tamper with safety devices. Check their proper operation regularly. Refer to the maintenance and adjustment sections of this manual.
2. Before cleaning, repairing, or inspecting machine disengage all control levers and stop the engine. Wait until the auger/impeller come to a complete stop. Disconnect the spark plug wire and ground against the engine to prevent unintended starting.
3. Check bolts and screws for proper tightness at frequent intervals to keep the machine in safe working condition. Also, visually inspect machine for any damage.
4. Do not change the engine governor setting or over-speed the engine. The governor controls the maximum safe operating speed of the engine.
5. Snow thrower shave plates and skid shoes are subject to wear and damage. For your safety protection, frequently check all components and replace with original equipment manufacturer's (OEM) parts only. "Use of parts which do not meet the original equipment specifications may lead to improper performance and compromise safety!"
6. Check controls periodically to verify they engage and disengage properly and adjust, if necessary. Refer to the adjustment section in this operator's manual for instructions.
7. Maintain or replace safety and instruction labels, as necessary.
8. Observe proper disposal laws and regulations for gas, oil, etc. to protect the environment.
9. Prior to storing, run machine a few minutes to clear snow from machine and prevent freeze up of auger/impeller.
10. Never store the machine or fuel container inside where there is an open flame, spark or pilot light such as a water heater, furnace, clothes dryer etc.
11. Always refer to the operator's manual for proper instructions on off-season storage.
12. Check fuel line, tank, cap, and fittings frequently for cracks or leaks. Replace if necessary.
13. Do not crank engine with spark plug removed.

Do not modify engine

To avoid serious injury or death, do not modify engine in any way. Tampering with the governor setting can lead to a runaway engine and cause it to operate at unsafe speeds. Never tamper with factory setting of engine governor.

Notice regarding Emissions

Engines which are certified to comply with California and federal EPA emission regulations for SORE (Small Off Road Equipment) are certified to operate on regular unleaded gasoline, and may include the following emission control systems: Engine Modification (EM) Oxidizing Catalyst (OC), Secondary Air Injection (SAI) and Three Way Catalyst (TWC) if so equipped.

Average Useful Life

According to the Consumer Products Safety Commission (CPSC) and the U.S. Environmental Protection Agency (EPA), this product has an *Average Useful Life* of seven (7) years, or 60 hours of operation. At the end of the *Average Useful Life*, have the machine inspected annually by an authorized service dealer to ensure that all mechanical and safety systems are working properly and not worn excessively. Failure to do so can result in accidents, injuries or death.

2

Safe Operation Practices



WARNING

This symbol points out important safety instructions, which if not followed, could endanger the personal safety and/or property of yourself and others. Read and follow all instructions in this manual before attempting to operate this machine. Failure to comply with these instructions may result in personal injury. When you see this symbol, HEED IT'S WARNING!

Your Responsibility
Restrict the use of this power machine to persons who read, understand and follow the warnings and instructions in this manual and on the machine.

05.08.08

3

Setting Up Your Snow Thrower



NOTE: References to right or left side of the snow thrower are determined from behind the unit in the operating position.

NOTE: This Operator's Manual covers several models, handle panels, lights and chute cranks are some features that may vary by model. Not all features referenced in this manual are applicable to all snow thrower models.

NOTE: Two replacement auger shear pins are included with this manual (or stowed in the plastic handle panel). Refer to Augers in the Maintenance Section for more information regarding shear pin replacement.

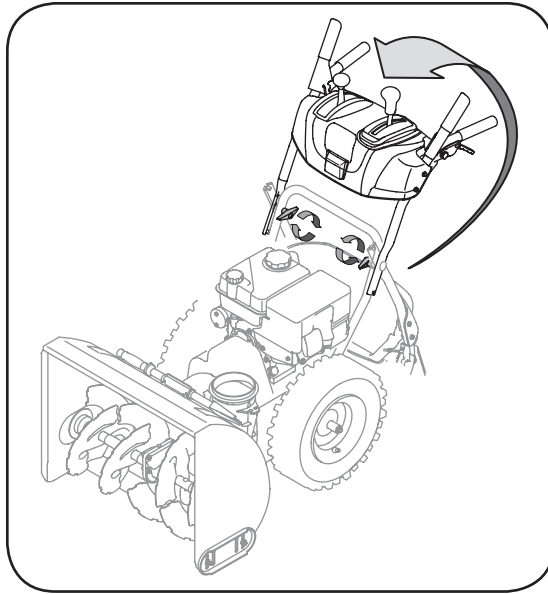


Figure 3-1

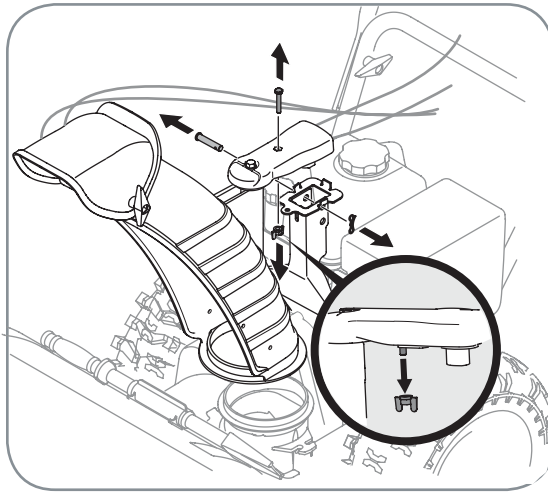


Figure 3-2

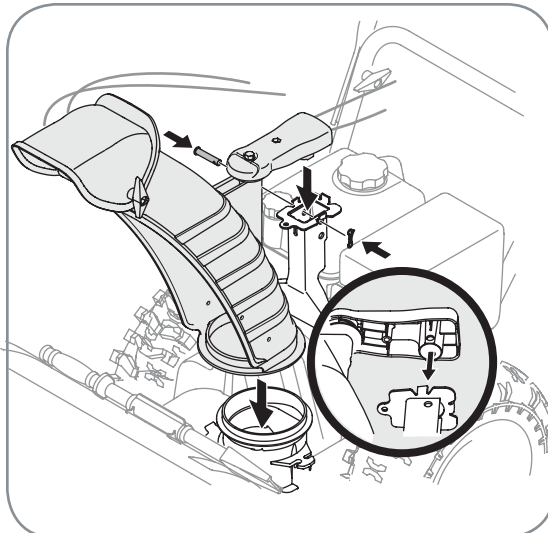


Figure 3-3

IMPORTANT: The snow thrower is shipped with oil and WITHOUT GASOLINE. After assembly, refer to separate engine manual for proper fuel and engine oil recommendations.

1. Observe the lower area of the snow thrower to be sure both cables are aligned with roller guides.
 - a. Pull up and back on upper handle as shown in Figure 3-1. Align upper handle with the lower handle.
 - b. Tighten hand knobs securing upper handle to lower handle.
2. Remove wing nut and hex screw from chute control assembly and clevis pin and cotter pin from chute support bracket. See Figure 3-2. Position the chute assembly (forward-facing) over the chute base.
3. Place chute assembly onto chute base and secure chute control assembly to chute support bracket with clevis pin and cotter pin removed earlier. See Figure 3-3.
4. Finish securing chute control assembly to chute support bracket with wing nut and hex screw removed earlier. See Figure 3-4.
5. Check that all cables are properly routed through the cable guide. See Figure 3-5.

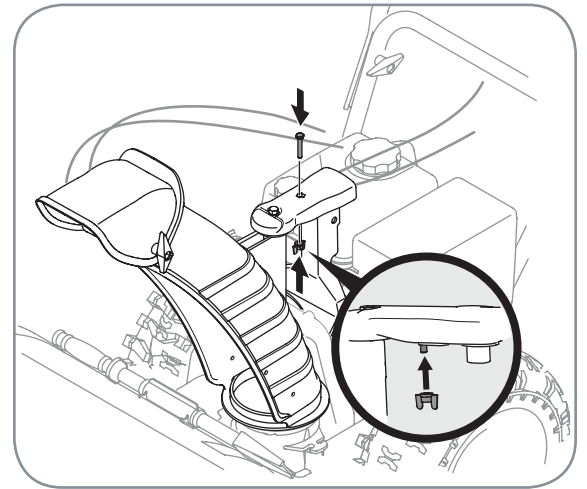


Figure 3-4

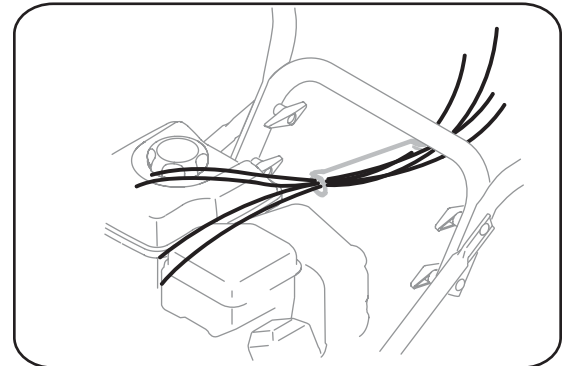


Figure 3-5

The extension cord is fastened with a cable tie to the rear of the auger housing for shipping purposes. Cut the cable tie and remove it before operating the snow thrower.

CAUTION: Prior to operating your snow thrower, refer to Auger Control Test on page 11. Read and follow all instructions carefully, and perform all adjustments to verify your snow thrower is operating safely and properly.

Shear Pin Storage (optional)

An area for convenient shear pin storage is located at the rear of the dash panel.

Drift Cutters (If Equipped)

Drift cutters should be used when operating the snow thrower in heavy drift conditions.

- On models so equipped, drift cutters and hardware are assembled to the auger housing inverted.
- Remove the carriage bolts and wingnuts securing the drift cutters to the housing.
- Reposition drift cutters so they face forward as shown in Figure 3-6. Secure with hardware previously removed, wingnuts should be fastened on the **outside** of the housing as shown.

If your unit is **not** equipped with drift cutters, you may contact Customer Support as instructed on page 2 for information regarding price and availability.

Clean-Out Tool

The clean-out tool is mounted to the rear of the auger housing and is designed to clear a clogged chute. Refer to page 9 for instructions on how to properly use it.

NOTE: This item is fastened with a cable tie to the rear of the auger housing at the factory. Cut the cable tie before operating the snow thrower.



WARNING: Never use your hands to clean snow and ice from the chute assembly or auger housing.

Lamp Wiring Harness (If equipped)

The post on the cable tie attaching the lamp wiring harness to the lower handle should be plugged into the hole in the lower handle. Pull the slack portion of the wiring harness through the cable tie to prevent interference with the recoil starter handle. See Figure 3-7.

Skid Shoes

Position the skid shoes based on surface conditions. Adjust upward for hard-packed snow. Adjust downward when operating on gravel or crushed rock surfaces. See "Making Adjustment" Section.

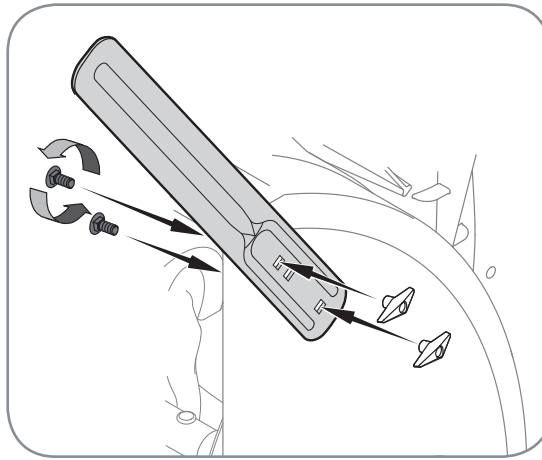


Figure 3-6

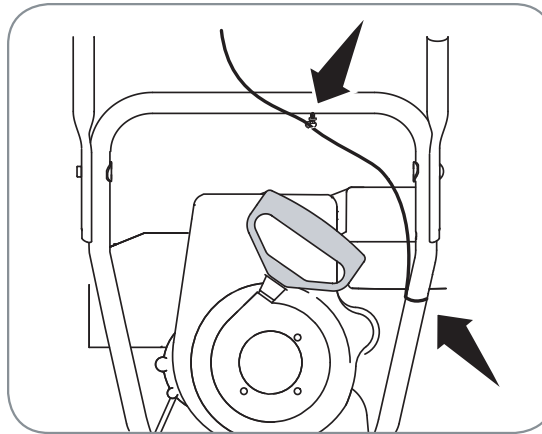


Figure 3-7

Tire Pressure

The tires are over-inflated for shipping purposes. Check the tire pressure before operating the snow thrower. Refer to the tire side wall for tire manufacturer's recommended psi and deflate (or inflate) the tires as necessary.

NOTE: If the tire pressure is not equal in both tires, the unit may not travel in a straight path and the shave plate may wear unevenly.

3

Setting Up Your Snow Thrower



CAUTION

Prior to operating your snow thrower, refer to Auger Control Test on page 11. Read and follow all instructions carefully and perform all adjustments to verify your unit is operating safely and properly.

4

Operating Your Snow Thrower



WARNING

Read, understand, and follow all instructions and warnings on the machine and in this manual before operating.

Use extreme care when handling gasoline. Gasoline is extremely flammable and the vapors are explosive. *Never* fuel the machine indoors or while the engine is hot or running. Extinguish cigarettes, cigars, pipes and other sources of ignition.

Know Your Snow Thrower

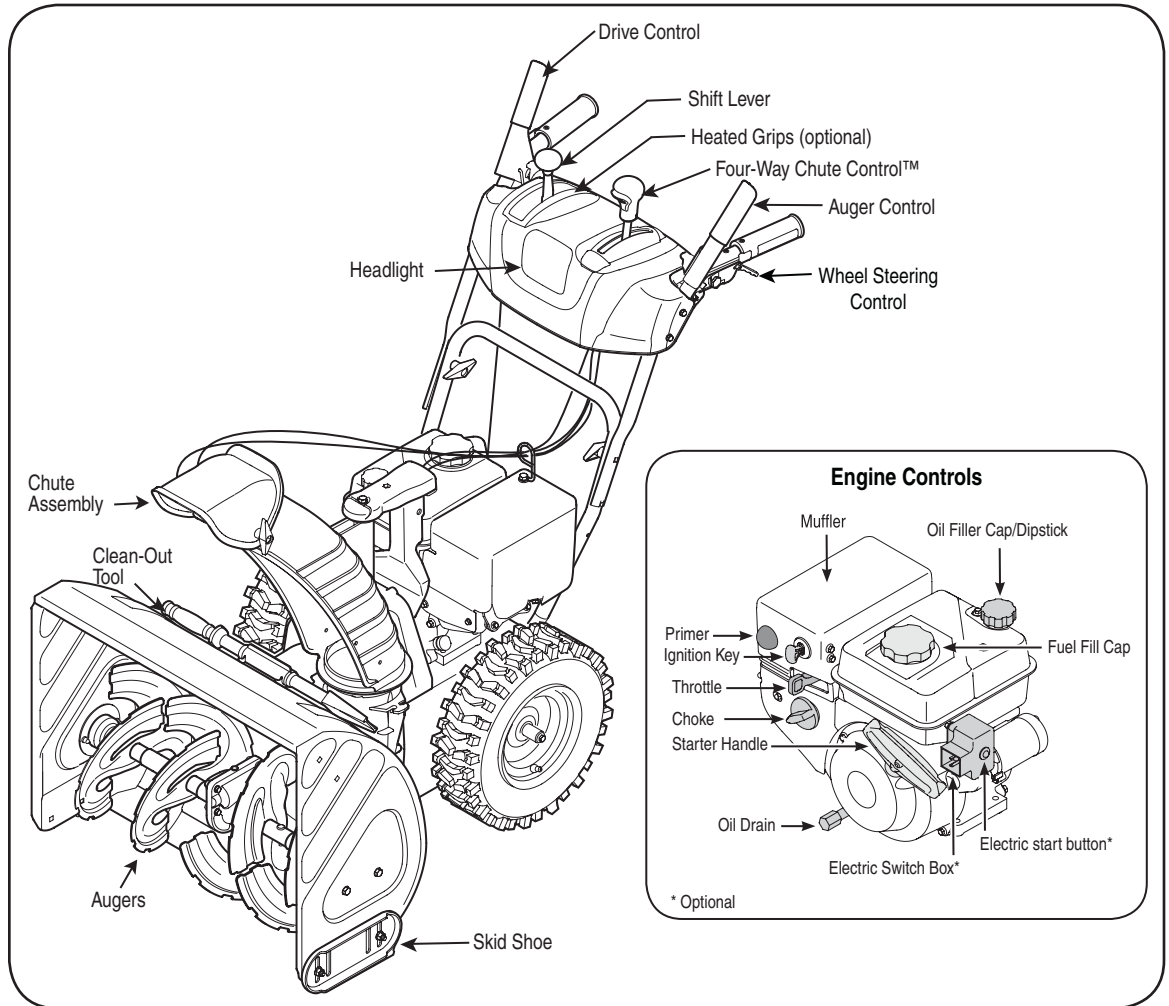


Figure 4-1

Now that you have set up your snow thrower for operation, get acquainted with its controls and features. These are described below and illustrated in Figure 4-1. This knowledge will allow you to use your new equipment to its fullest potential.

NOTE: For detailed starting instructions and more information on all engine controls, refer to the engine manual packed with your unit.

Shift Lever

The shift lever is located on the right side of the handle panel. Place the shift lever into any of eight positions to control the direction of travel and ground speed.

Forward

Your snow thrower has six forward (F) speeds, with position number one (1) being the slowest speed.

Reverse

Your snow thrower has two reverse (R) speeds, with position number one (1) being the slower speed.

- 6
- 5
- 4
- 3
- 2
- ↑
- F 1
- R 1
- R 2

Choke Control

Activating the choke control closes the choke plate on the carburetor and aids in starting the engine.

Primer

Depressing the primer forces fuel directly into the engine's carburetor to aid in cold-weather starting.

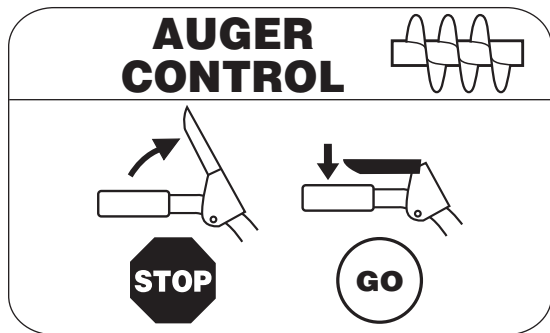
Oil Fill

Engine oil level can be checked and oil added through the oil fill.

Ignition Key

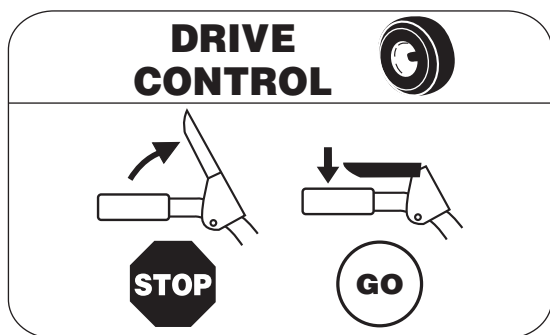
The ignition key is a safety device. Insert key and snap in place; do not turn ignition key. Pull the key out halfway to stop the engine. Remove key when the unit is not in use.

Auger Control



The auger control is located on the left handle. Squeeze the control grip against the handle to engage the augers and start snow throwing action. Release to stop.

Drive Control/ Auger Control Lock



The drive control is located on the right handle. Squeeze the control grip against the handle to engage the wheel drive. Release to stop.

The drive control also locks the auger control so you can operate the chute directional control without interrupting the snow throwing process. If the auger control is engaged simultaneously with the drive control, the operator can release the auger control (on the left handle) and the augers will remain engaged. Release both controls to stop the augers and wheel drive.

IMPORTANT: Always release the drive control before changing speeds.

Heated Handles Switch (If Equipped)

This switch is located on the rear of the snow thrower dash panel. To activate the heated handles, toggle the switch to the "ON" position to generate heat within the handle grips. Toggle the switch to the "OFF" position after using the snow thrower.

NOTE: The heated handles grips are a compliment to, not a substitute for, proper cold weather outerwear for the operator's hands. It is recommended that the snow thrower operator wear gloves/mittens to avoid extremities of winter while operating this equipment.

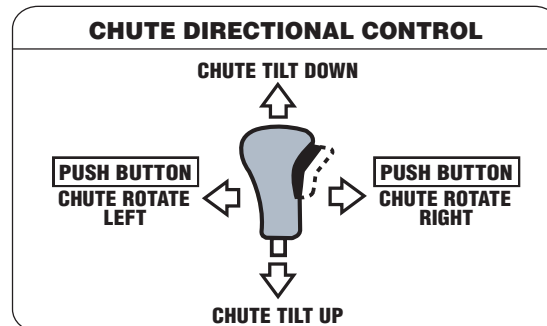
Augers

When engaged, the augers rotate and draw snow into the auger housing.

Four-Way Chute Control™

The chute directional control is located on the left side of the dash panel.

- To change the direction in which snow is thrown, squeeze the button on the joy-stick and pivot the joy-stick to the right or to the left.
- To change the angle/distance which snow is thrown, pivot the joy-stick forward or backward.



Skid Shoes

Position the skid shoes based on surface conditions. Adjust upward for hard-packed snow. Adjust downward when operating on gravel or crushed rock surfaces. See "Making Adjustment" Section.

Wheel Steering Controls

The left and right wheel steering controls are located on the underside of the handles. Squeeze the right control to turn right; squeeze the left control to turn left.

NOTE: Operate the snow thrower in open areas until you are familiar with these controls.

Chute Clean-Out Tool

The clean-out tool is conveniently fastened to the rear of the auger housing with a mounting clip.

1. Release both the auger control and the drive/auger control lock.
2. Stop the engine by pushing the rocker switch to the "OFF" position, pull out the safety key.
3. Remove the clean-out tool from the mounting clip.
4. Use the shovel-shaped end of the clean-out tool to remove any snow and ice in the chute assembly.
5. Re-fasten the clean-out tool to the mounting clip on the rear of the auger housing and restart engine.
6. While standing in the operator's position (behind the snow thrower), engage the auger control for a few seconds to clear any remaining snow or ice from the chute assembly before continuing to clear snow.



WARNING: Never use your hands to clean snow and ice from the chute assembly or auger housing.

Headlight

The headlight is on whenever the engine is running.

4

Operating Your Snow Thrower



WARNING

The operation of any snow thrower can result in foreign objects being thrown into the eyes, which can damage your eyes severely. Always wear safety glasses while operating the snow thrower, or while performing any adjustments or repairs on it.

Be sure no one other than the operator is standing near the snow thrower while starting engine or operating snow thrower. Never run engine indoors or in enclosed, poorly ventilated areas. Engine exhaust contains carbon monoxide, an odorless and deadly gas. Keep hands, feet, hair and loose clothing away from any moving parts on engine and snow thrower.



WARNING

Read, understand, and follow all instructions and warnings on the machine and in this manual before operating.

Use extreme care when handling gasoline. Gasoline is extremely flammable and the vapors are explosive. *Never fuel the machine indoors or while the engine is hot or running.* Extinguish cigarettes, cigars, pipes and other sources of ignition.

If your home's wiring system is not a three-wire grounded system, do not use this electric starter under any conditions.

If your home electrical system is grounded, but a three-hole receptacle is not available, do not use your snow thrower's electric starter.

Gas & Oil Fill-Up

Service the engine with gasoline and oil as instructed in the separate engine manual packed with your unit. Read instructions carefully.

Starting the Engine



WARNING: Always keep hands and feet clear of moving parts. Do not use a pressurized starting fluid. Vapors are flammable.

NOTE: Allow the engine to warm up for a few minutes after starting. The engine will not develop full power until it reaches operating temperatures.

Engines with Starter Handle (non-electric start)

IMPORTANT: Do not pull the starter handle with engine running.

1. Insert ignition key fully into slot. Make sure it snaps into place. DO NOT turn ignition key. The engine cannot start unless the key is inserted into ignition switch.
2. Move throttle control to FAST (rabbit) position.
3. Move choke to the ON position (cold engine start). If engine is warm, place choke in OFF position.
4. Push primer three to five (3-5) times, making sure to cover vent hole when pushing. If engine is warm, push primer only once. Always cover vent hole when pushing. Cool weather may require priming to be repeated.
5. Pull gently on the starter handle until it begins to resist, then pull quickly and forcefully to overcome the compression. Do not release the handle and allow it to snap back. Return rope SLOWLY to original position. If required, repeat this step.
6. As the engine warms, slowly rotate the choke control to OFF position. If the engine falters, restart engine and run with choke at half-choke position for a short period of time, and then slowly rotate the choke into OFF position.

Engines with Electric Starters



WARNING: The electric starter is equipped with a grounded three-wire power cord and plug, and is designed to operate on 120 volt AC household current. It must be used with a properly grounded three-prong receptacle at all times to avoid the possibility of electric shock. Follow all instructions carefully prior to operating the electric starter.



WARNING: DO NOT use electric starter in rain.

1. Determine that your home's wiring is a three-wire grounded system. Ask a licensed electrician if you are unsure. If you have a grounded three-prong receptacle, proceed as follows. If you do not have the proper house wiring, DO NOT use the electric starter under any conditions.
2. Insert ignition key fully into slot. Make sure it snaps into place. DO NOT turn ignition key. **The engine cannot start unless the key is inserted into ignition switch.**
3. Plug the extension cord into the electric switch box located on the engine. Plug the other end of extension cord into a three-prong 120-volt, grounded, AC outlet in a well-ventilated area.
4. Move throttle control to FAST (rabbit) position.
5. Move choke to the ON position (cold engine start). If engine is warm, place choke in OFF position.
6. Push primer three to five (3-5) times, making sure to cover vent hole when pushing. If engine is warm, push primer only once. Always cover vent hole when pushing. Cool weather may require priming to be repeated.
7. Push starter button to start engine. Once the engine starts, immediately release starter button. Electric starter is equipped with thermal overload protection; system will temporarily shut-down to allow starter to cool if electric starter becomes overloaded.
8. As the engine warms, slowly rotate the choke control to OFF position. If the engine falters, restart engine and run with choke at half-choke position for a short period of time, and then slowly rotate the choke into OFF position.
9. After engine is running, disconnect power cord from electric starter. When disconnecting, always unplug the end at the wall outlet before unplugging the opposite end from the engine.

Stopping the Engine



WARNING: To avoid unsupervised engine operation, never leave the engine unattended while running. Turn the engine off after use and remove ignition key

Run engine for a few minutes before stopping to help dry off any moisture on the engine.

1. Move throttle control to STOP position.
2. Remove the ignition key. Removing the key will reduce the possibility of unauthorized starting of the engine while equipment is not in use. **Keep the key in a safe place. The engine cannot start without the ignition key.**
3. Wipe all snow and moisture from the area around the engine as well as the area in and around the drive control and auger control. Also, engage and release both controls several times.

To Engage Drive

1. With the engine running near top speed, move shift lever to one of six FORWARD positions or two REVERSE positions. Select a speed appropriate for the snow conditions that exist. Do not shift speeds while the drive is engaged.
2. Squeeze drive control against the right handle and the snow thrower will move. Release it and the drive motion will stop.

To Engage Augers

1. To engage augers and start snow throwing, squeeze the left hand auger control against the left handle. Release to stop augers.
2. While the auger control is engaged, squeeze the drive control to move, release to stop. Do not shift speeds while the drive is engaged.

NOTE: This drive lever also locks auger control so you can turn the chute control without interrupting the snow throwing process.

3. Release the auger control; the interlock mechanism should keep the auger control engaged until the drive control is released.
4. Release the drive control to stop both the augers and the wheel drive. To stop the auger, both levers must be released.

Auger Control Test

Perform the following test before operating your snow thrower for the first time and at the start of each winter. Check the adjustment of the auger control as follows:

1. When the auger control is released and in the disengaged “up” position, the cable should have very little slack. It should NOT be tight.
2. In a well-ventilated area, start the snow thrower engine as instructed on the previous page. Make sure the throttle is set in the FAST position.
3. While standing in the operator’s position (behind the snow thrower), engage the auger.
4. Allow the auger to remain engaged for approximately ten (10) seconds before releasing the auger control. Repeat this several times.
5. With the auger control in the disengaged “up” position, walk to the front of the machine.

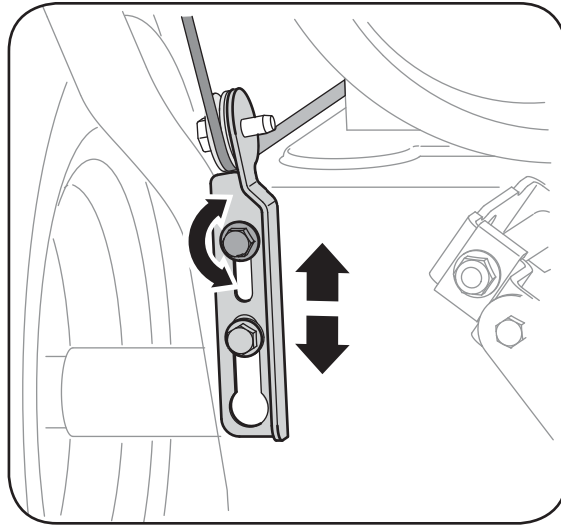


Figure 4-2

6. Confirm that the auger has completely stopped rotating and shows NO signs of motion. If the auger shows ANY signs of rotating, immediately return to the operator’s position and shut off the engine. Wait for ALL moving parts to stop before re-adjusting the auger control.
7. To readjust the control cable, loosen the upper hex nut on the auger cable bracket. See Figure 4-2.
8. Position the bracket upward to provide more slack (or downward to increase cable tension).
9. Retighten the upper hex nut.
10. Repeat Auger Control Test to verify proper adjustment has been achieved.



WARNING

The muffler, engine and surrounding areas become hot and can cause a burn 150°F (65°C). Do not touch.



When selecting a Drive Speed, use the slower speeds until you are comfortable and familiar with the operation of the snow thrower.

NEVER reposition the shift lever (change speeds or direction of travel) without first releasing the drive control and bringing the snow thrower to a complete stop. Doing so will result in premature wear to the snow thrower’s drive system.

5

Making Adjustments



WARNING

Read, understand, and follow all instructions and warnings on the machine and in this manual before operating.

Never attempt to make any adjustments while the engine is running, except where specified in operator's manual.

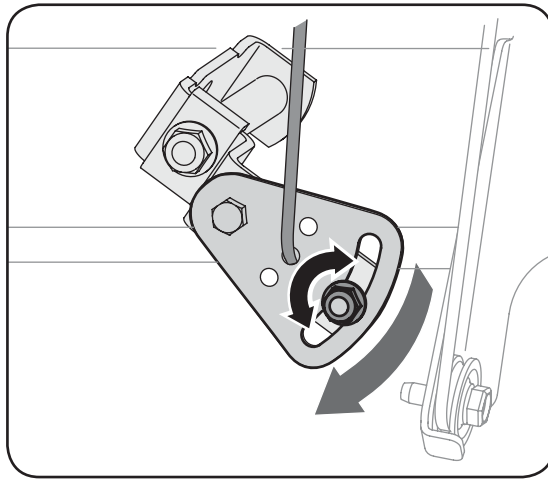


Figure 5-1

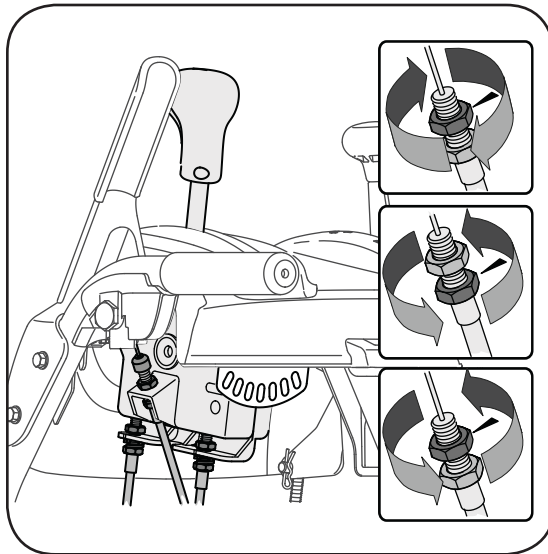


Figure 5-2

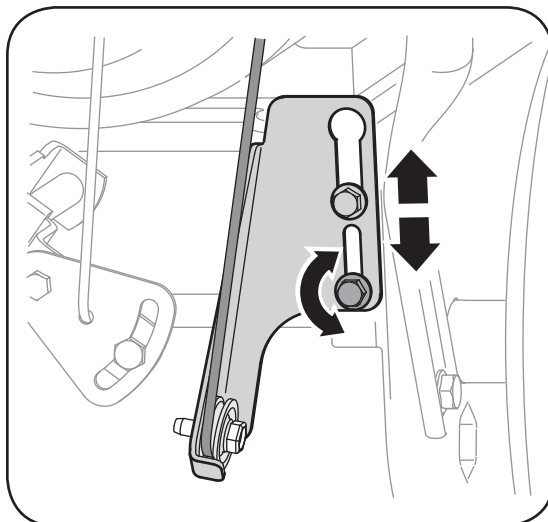


Figure 5-3

Shift Cable

If the full range of speeds (forward and reverse) cannot be achieved, refer to the figure to the left and adjust the shift cable as follows:

1. Place the shift lever in the **fastest** forward speed position.
2. Loosen the hex nut on the shift cable index bracket. See Figure 5-1.
3. Pivot the bracket downward to take up slack in the cable.
4. Retighten the hex nut.
5. Check for correct adjustment before operating the snow thrower.

Chute Control

Once a season or every 25 hours of operation, whichever is earlier, check whether the four-way chute control™ cables have slackened. If the chute does not rotate fully, the chute control cables will have to be adjusted.

To adjust these cables, proceed as follows:

1. To tighten cable, loosen the top nut and tighten the bottom nut on the cable.
2. Adjust equally on both sides by working on both cables. See Figure 5-2.

Drive Control & Shift Lever

When the drive control is released and in the disengaged "up" position, the cable should have very little slack. It should NOT be tight.

Check the adjustment of the drive control as follows:

1. With the drive control released, push the snow thrower gently forward. The unit should roll freely.
2. Engage the drive control and gently attempt to push the snow thrower forward. The wheels should not turn. The unit should not roll freely.
3. With the drive control released, move the shift lever back and forth between the R2 position and the F6 position several times. There should be no resistance in the shift lever.
4. If any of the above tests failed, the drive cable is in need of adjustment. Proceed as follows:
5. Loosen the lower hex nut on the drive cable bracket. See Figure 5-3.
6. Position the bracket upward to provide more slack (or downward to increase cable tension).
7. Retighten the lower hex nut.



WARNING: Run the engine completely dry of gasoline before tipping snowthrower.

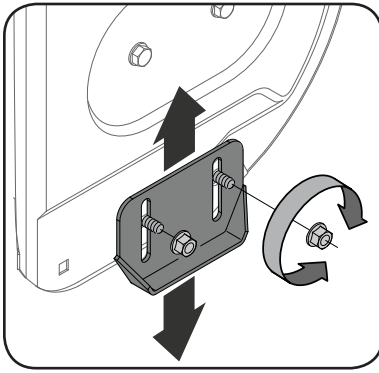


Figure 5-4 - Standard Skid Shoe

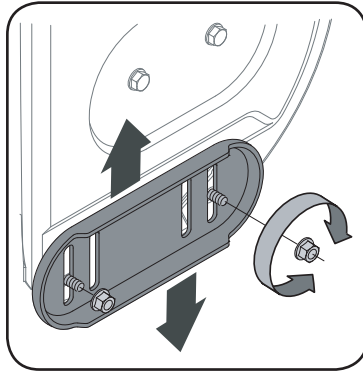


Figure 5-5 - Steel Reversible

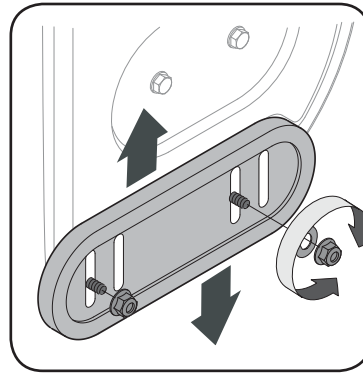


Figure 5-6 - Plastic Reversible

You can also check the adjustment as follows:

1. With the snow thrower tipped forward, remove the frame cover underneath the snow thrower by removing the self-tapping screws. See Figure 6-5 on page 15.
2. With the drive control released, there must be 1/8" clearance between the friction wheel and the drive pulley in all positions of the shift lever.
3. With the drive control engaged, the friction wheel must contact the drive pulley. See Figure 6-8.
4. If adjustment is necessary, loosen the lower hex nut on the drive cable index bracket and pivot the bracket upward or downward as necessary. Refer to Figure 5-3. Tighten the lower hex nut to secure the bracket when correct adjustment is reached.
5. Reassemble the frame cover and return the unit back to its operating position.

Skid Shoes

The space between the skid shoes and the ground can be adjusted.

- For close snow removal on a smooth surface, raise skid shoes higher on the auger housing.
- Use a middle or lower position when the area to be cleared is uneven, such as a gravel driveway.

To adjust the skid shoes:

1. Loosen the four hex nuts (two on each side) and carriage bolts. Move skid shoes to desired position.
2. Make certain the entire bottom surface of skid shoe is against the ground to avoid uneven wear on the skid shoes.
3. Retighten nuts and bolts securely.

NOTE: Some models are equipped with reversible skid shoes and may be turned over to increase their lifespan. See Figure 5-6 and 5-7.

Auger Control

To adjust the auger control, refer to page 11.

5

Making Adjustments



IMPORTANT

It is not recommended that you operate this snow thrower on gravel as loose gravel can be easily picked up and thrown by the auger causing personal injury or damage to the snow thrower.

If for some reason, you have to operate the snow thrower on gravel, keep the skid shoe in the highest position for maximum clearance between the ground and the shave plate.

6

Maintaining Your Snow Thrower



WARNING

Before lubricating, repairing, or inspecting, disengage all controls and stop engine. Wait until all moving parts have come to a complete stop.



Keep all grease and oil off of the rubber friction wheel and aluminum drive plate.

Engine

Refer to the separate engine manual packed with your unit for all engine maintenance.

Lubrication

Engine

Refer to the separate engine manual packed with your unit for all engine lubrication instructions.

Gear Shaft

The gear (hex) shaft should be lubricated at least once a season or after every 25 hours of operation.



WARNING: Run the engine completely dry of gasoline before tipping snowthrower.

1. Carefully pivot the snow thrower up and forward so that it rests on the auger housing.
2. Remove the lower frame cover by removing the screws which secure it.
3. Apply a light coating of an all-weather multi-purpose oil to the hex shaft. See Figure 6-1.

NOTE: Avoid getting oil on rubber friction wheel and aluminum drive plate.

Wheels

At least once a season, remove both wheels. Clean and coat the axles with a multipurpose automotive grease before reinstalling wheels.

Auger Shaft

At least once a season, remove the shear pins on auger shaft. Spray lubricant inside shaft, around the spacers. Also lubricate the flange bearings found at either end of the shaft. See Figure 6-2.

Augers

- The augers are secured to the spiral shaft with shear pins and cotter pins. If the auger should strike a foreign object or ice jam, the snow thrower is designed so that the pins may shear. Refer to Figure 6-2.
- If the augers will not turn, check to see if the pins have sheared. One set of replacement shear pins has been provided with the snow thrower. When replacing pins, spray an oil lubricant into shaft before inserting new pins.

Shave Plate and Skid Shoes

The shave plate and skid shoes on the bottom of the snow thrower are subject to wear. They should be checked periodically and replaced when necessary.

To remove skid shoes:

1. Remove the four carriage bolts and hex flange nuts which secure them to the snow thrower.
2. Reassemble new skid shoes with the four carriage bolts (two on each side) and hex flange nuts. Refer to Figure 6-3.

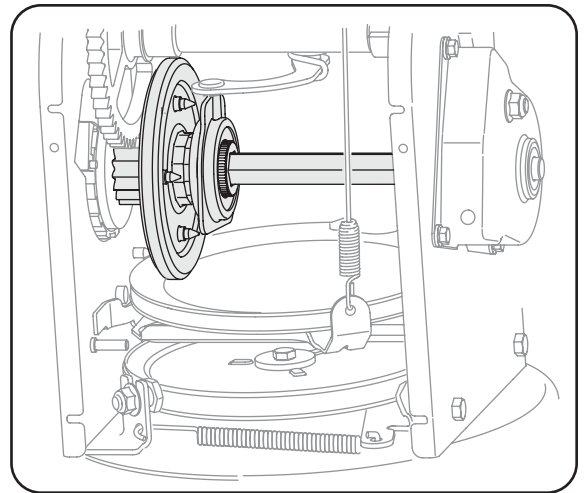


Figure 6-1

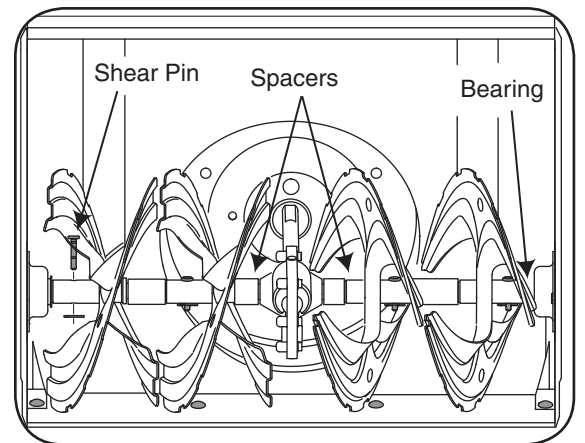


Figure 6-2

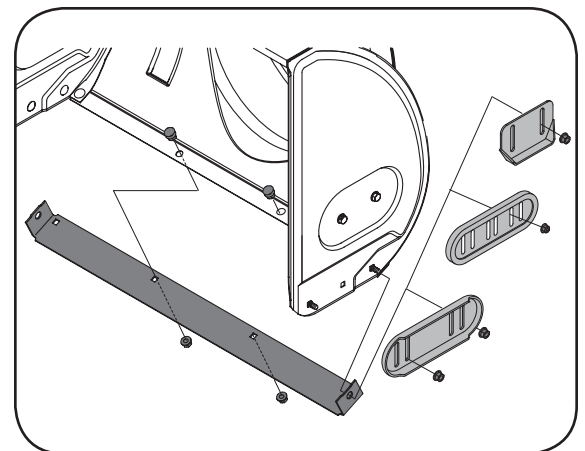


Figure 6-3

To remove shave plate:

1. Remove the carriage bolts and hex nuts which attach it and the skid shoes to the snow thrower housing.
2. Reassemble new shave plate, making sure heads of carriage bolts are to the inside of housing. Tighten securely.

Auger Belt Replacement



WARNING: Run the engine completely dry of gasoline before tipping snowthrower.

To remove and replace your snow thrower's auger belt, proceed as follows:

1. Remove the plastic belt cover on the front of the engine by removing the two self-tapping screws. See Figure 6-4.

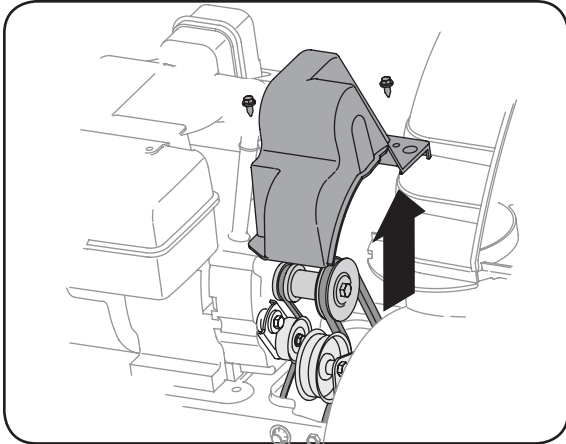


Figure 6-4

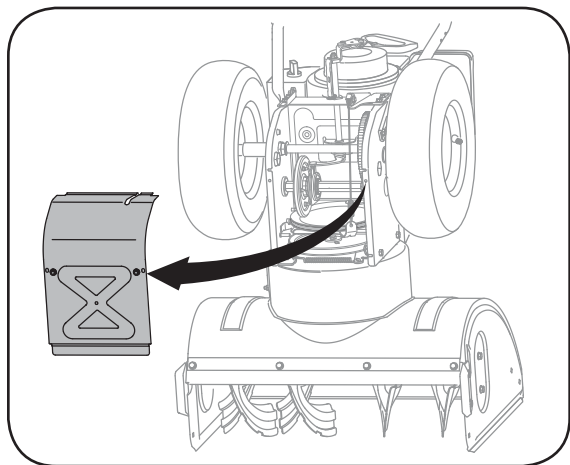


Figure 6-5

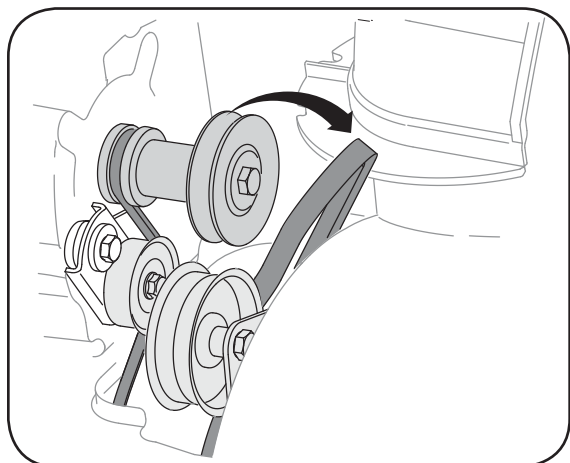


Figure 6-6

2. Carefully pivot the snow thrower up and forward so that it rests on the auger housing. Remove the frame cover from the underside of the snow thrower by removing four self-tapping screws which secure it. See Figure 6-5.
3. Roll the auger belt off the engine pulley. See Figure 6-6.
4. a. Loosen and remove the shoulder screw which acts as a belt keeper. See Figure 6-7.
b. Unhook the support bracket spring from the frame.
5. Remove the belt from around the auger pulley, and slip the belt between the support bracket and the auger pulley. Reassemble auger belt by following instructions in reverse order. See Figure 6-8.

NOTE: Repeat the auger control test on page 11 before operating the snowthrower.

NOTE: Do NOT forget to reinstall the shoulder screw and reconnect the spring to the frame after installing a replacement auger belt.

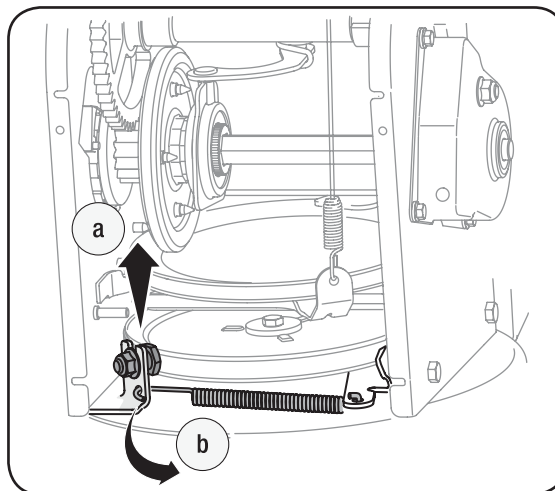


Figure 6-7

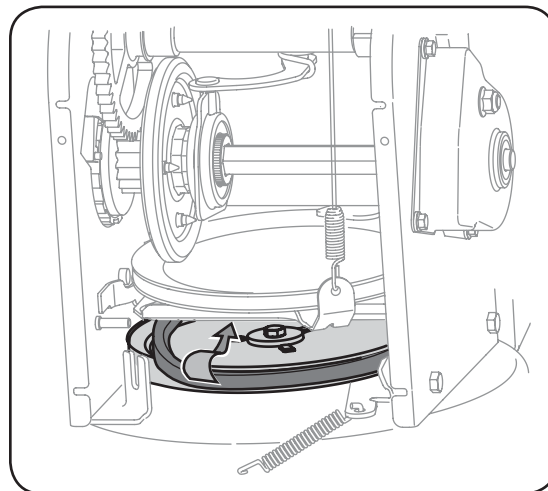


Figure 6-8

6

Maintaining Your Snow Thrower



NOTE: Although multi-viscosity oils (5W30, 10W30 etc.) improve starting in cold weather, these multi-viscosity oils also result in higher oil consumption when used above 32°F (0°C). Check your snow thrower's engine oil level more frequently to avoid possible engine damage from running low on oil.

IMPORTANT
NEVER replace the auger shear pins with standard pins. Any damage to the auger gearbox or other components, as a result of doing so, will NOT be covered by your snow thrower's warranty.

6

Maintaining Your Snow Thrower



NEVER replace the auger shear pins with standard hex pins. Any damage to the auger gearbox or other components as a result of failing to do so will NOT be covered by your snow thrower's warranty.

Drive Belt Replacement



WARNING: Run the engine completely dry of gasoline before tipping snowthrower.

To remove and replace your snow thrower's auger belt, proceed as follows:

1. Remove the plastic belt cover on the front of the engine by removing the two self-tapping screws. See Figure 6-4.
2. Carefully pivot the snow thrower up and forward so that it rests on the auger housing. See Figure 6-5.
3. Remove the frame cover from the underside of the snow thrower by removing four self-tapping screws which secure it.
4. a. Roll the auger belt off the engine pulley.
b. Use a wrench to pivot the idler pulley toward the right. See Figure 6-9.
c. Lift the drive belt off engine pulley.
5. Back out the stop screw until the support bracket rests on the auger pulley. See Figure 6-10.
6. Slip the drive belt off the pulley and between friction wheel and drive plate. See Figure 6-10.
7. Remove and replace belt in the reverse order.

NOTE: Repeat the drive control adjustment on page 12 before operating the snowthrower.

Friction Wheel Inspection

If the snow thrower fails to drive with the drive control engaged, and performing the drive control cable adjustment fails to correct the problem, the friction wheel may need to be replaced.

NOTE: Special tools are required and several components must be removed and in order to replace the snow thrower's friction wheel rubber. See an authorized Service Dealer to have the friction wheel rubber replaced or phone Customer Support as instructed on page 2 for information on ordering a Service Manual.

To inspect the friction wheel, proceed as follows:

1. Carefully pivot the snow thrower up and forward so that it rests on the auger housing. See Figure 6-5.
2. Remove the frame cover from the underside of the snow thrower by removing four self-tapping screws which secure it. See Figure 6-5.
3. Examine the friction wheel for signs of wear or cracking. See Figure 6-11.

Off-Season Storage

If unit is to be stored over 30 days, prepare for storage as instructed in the separate engine manual packed with your snow thrower.

- Clean snow thrower thoroughly.
- Lubricate as instructed in the Maintenance section of this manual.

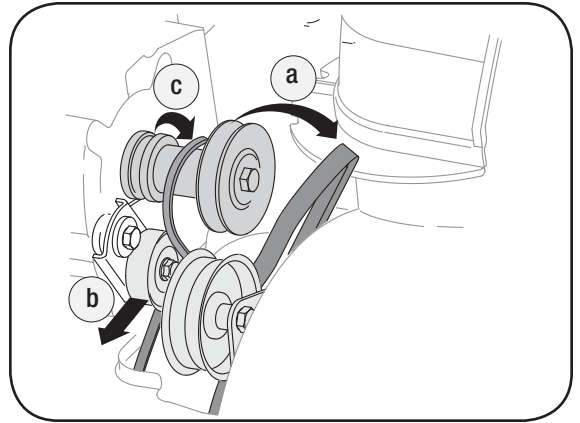


Figure 6-9

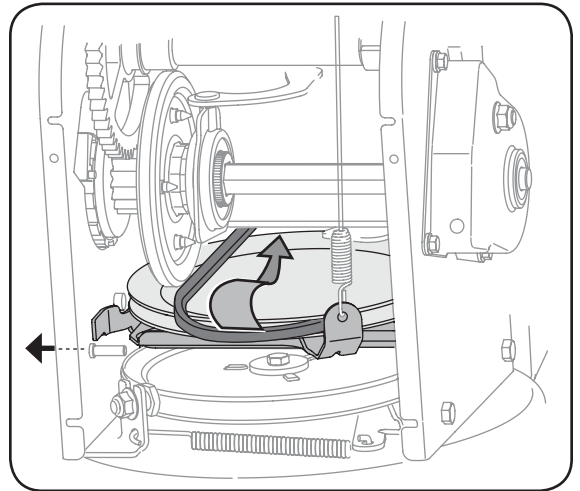


Figure 6-10

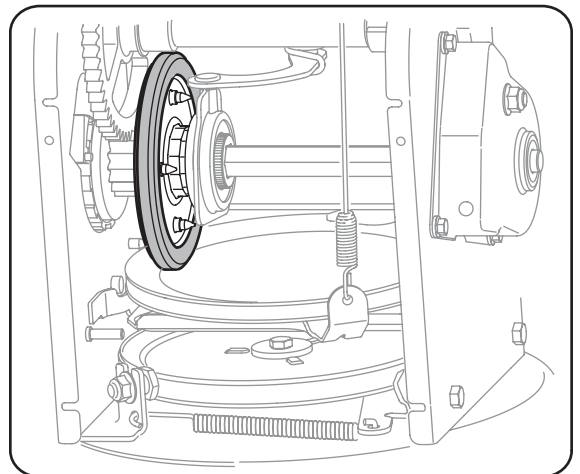


Figure 6-11

- Refer to engine manual for correct engine storage instructions.
- Store the snow thrower in a clean, dry area.
- When storing any type of power equipment in a poorly ventilated or metal storage shed, care should be taken to rustproof the equipment, especially springs, cables and all moving parts.

7

Trouble-Shooting



NOTE: This section addresses minor service issues. For further details, contact customer assistance.

Problem	Cause	Remedy
Engine fails to start	<ol style="list-style-type: none"> 1. Choke not in ON position. 2. Spark plug wire disconnected. 3. Fuel tank empty or stale fuel. 4. Engine not primed. 5. Faulty spark plug. 6. Blocked fuel line. 7. Safety key not in ignition on engine. 8. Fuel shut-off valve closed. (If Equipped) 	<ol style="list-style-type: none"> 1. Move choke to ON position. 2. Connect wire to spark plug. 3. Fill tank with clean, fresh gasoline. 4. Prime engine as instructed in "Operating Your Snow Thrower". 5. Clean, adjust gap, or replace. 6. Clean fuel line. 7. Insert key fully into the switch. 8. Open fuel shut-off valve.
Engine runs erratic	<ol style="list-style-type: none"> 1. Unit running on CHOKE. 2. Blocked fuel line or stale fuel. 3. Water or dirt in fuel system. 4. Carburetor out of adjustment. 	<ol style="list-style-type: none"> 1. Move choke lever to OFF position. 2. Clean fuel line; fill tank with clean, fresh gasoline. 3. Drain fuel tank. Refill with fresh fuel. 4. Contact Service Center.
Engine overheats	<ol style="list-style-type: none"> 1. Carburetor not adjusted properly. 	<ol style="list-style-type: none"> 1. Contact Service Center.
Excessive Vibration	<ol style="list-style-type: none"> 1. Loose parts or damaged auger. 	<ol style="list-style-type: none"> 1. Stop engine immediately and disconnect spark plug wire. Tighten all bolts and nuts. If vibration continues, have unit serviced by a Service Center.
Loss of power	<ol style="list-style-type: none"> 1. Spark plug wire loose. 2. Gas cap vent plugged. 3. Exhaust port plugged. 	<ol style="list-style-type: none"> 1. Connect and tighten spark plug wire. 2. Remove ice and snow from gas cap. Be certain vent is clear. 3. Contact Service Center.
Unit fails to propel itself	<ol style="list-style-type: none"> 1. Drive control cable in need of adjustment. 2. Drive belt loose or damaged. 3. Friction wheel worn. 	<ol style="list-style-type: none"> 1. Adjust drive control cable. Refer to "Adjustments". 2. Replace drive belt. 3. Replace friction wheel.
Unit fails to discharge snow	<ol style="list-style-type: none"> 1. Chute assembly clogged. 2. Foreign object lodged in auger. 3. Auger control cable in need of adjustment. 4. Auger belt loose or damaged. 5. Shear pin(s) sheared. 	<ol style="list-style-type: none"> 1. Stop engine immediately and disconnect spark plug wire. Clean chute assembly and inside of auger housing with clean-out tool or a stick. 2. Stop engine immediately and disconnect spark plug wire. Remove object from auger with clean-out tool or a stick. 3. Refer to "Auger Control Test". 4. Refer to Maintenance section. 5. Replace with new shear pin(s).

8

Warranty



Failure to comply with suggested maintenance and lubrication specifications will void warranty.

THREE YEAR LIMITED WARRANTY

The limited warranty set forth below is given by MTD Products Limited with respect to new merchandise purchased and used in Canada and/or its territories and possessions (either entity respectively, "MTD").

MTD warrants this product (excluding its normal wear parts as described below) against defects in material and workmanship for a period of three (3) years commencing on the date of original purchase and will, at its option, repair or replace, free of charge, any part found to be defective in materials or workmanship. This limited warranty shall only apply if this product has been operated and maintained in accordance with the Operator's Manual furnished with the product, and has not been subject to misuse, abuse, commercial use, neglect, accident, improper maintenance, alteration, vandalism, theft, fire, water, or damage because of other peril or natural disaster. Damage resulting from the installation or use of any part, accessory or attachment not approved by MTD for use with the product(s) covered by this manual will void your warranty as to any resulting damage.

Normal wear parts are warranted to be free from defects in material and workmanship for a period of thirty (30) days from the date of purchase. Normal wear parts include, but are not limited to items such as: batteries, belts, blades, blade adapters, grass bags, rider deck wheels, seats, snow thrower skid shoes, friction wheels, shave plates, auger spiral rubber, tires, engine oil, air filters and spark plugs.

HOW TO OBTAIN SERVICE: Warranty service is available, WITH PROOF OF PURCHASE, through your local authorized service dealer. To locate the dealer in your area contact MTD Products Limited, Kitchener, ON N2G 4J1, or call 1-800-668-1238 or log on to our Web site at www.mtdcanada.com.

This limited warranty does not provide coverage in the following cases:

- a. The engine or component parts thereof. These items may carry a separate manufacturer's warranty. Refer to applicable manufacturer's warranty for terms and conditions. The Powermore engine is not excluded under this agreement.
- b. Log splitter pumps, valves, and cylinders have a separate one-year warranty.
- c. Routine maintenance items such as lubricants, filters, blade sharpening, tune-ups, brake adjustments, clutch adjustments, deck adjustments, and normal deterioration of the exterior finish due to use or exposure.
- d. Service completed by someone other than an authorized service dealer.
- e. MTD does not extend any warranty for products sold or exported outside of Canada, including possessions and territories.
- f. Replacement parts that are not genuine MTD parts.
- g. Transportation charges and service calls.
- h. If Products are used commercially. (MTD may separately offer Limited Commercial Warranties on certain select products. Ask your dealer or retailer for details or contact MTD Service for more information.)

No implied warranty, including any implied warranty of merchantability of fitness for a particular purpose, applies after the applicable period of express written warranty above as to the parts as identified. No other express warranty, whether written or oral, except as mentioned above, given by any person or entity, including a dealer or retailer, with respect to any product, shall bind MTD. During the period of the warranty, the exclusive remedy is repair or replacement of the product as set forth above.

The provisions as set forth in this warranty provide the sole and exclusive remedy arising from the sale. MTD shall not be liable for incidental or consequential loss or damage including, without limitation, expenses incurred for substitute or replacement lawn care services or for rental expenses to temporarily replace a warranted product.

Some jurisdictions do not allow the exclusion or limitation of incidental or consequential damages, or limitations on how long an implied warranty lasts, so the above exclusions or limitations may not apply to you.

In no event shall recovery of any kind be greater than the amount of the purchase price of the product sold. **Alteration of safety features of the product shall void this warranty.** You assume the risk and liability for loss, damage, or injury to you and your property and/or to others and their property arising out of the misuse or inability to use the product.

This limited warranty shall not extend to anyone other than the original purchaser or to the person for whom it was purchased as a gift.

HOW LOCAL LAWS RELATE TO THIS WARRANTY: This limited warranty gives you specific legal rights, and you may also have other rights that vary in different jurisdictions.

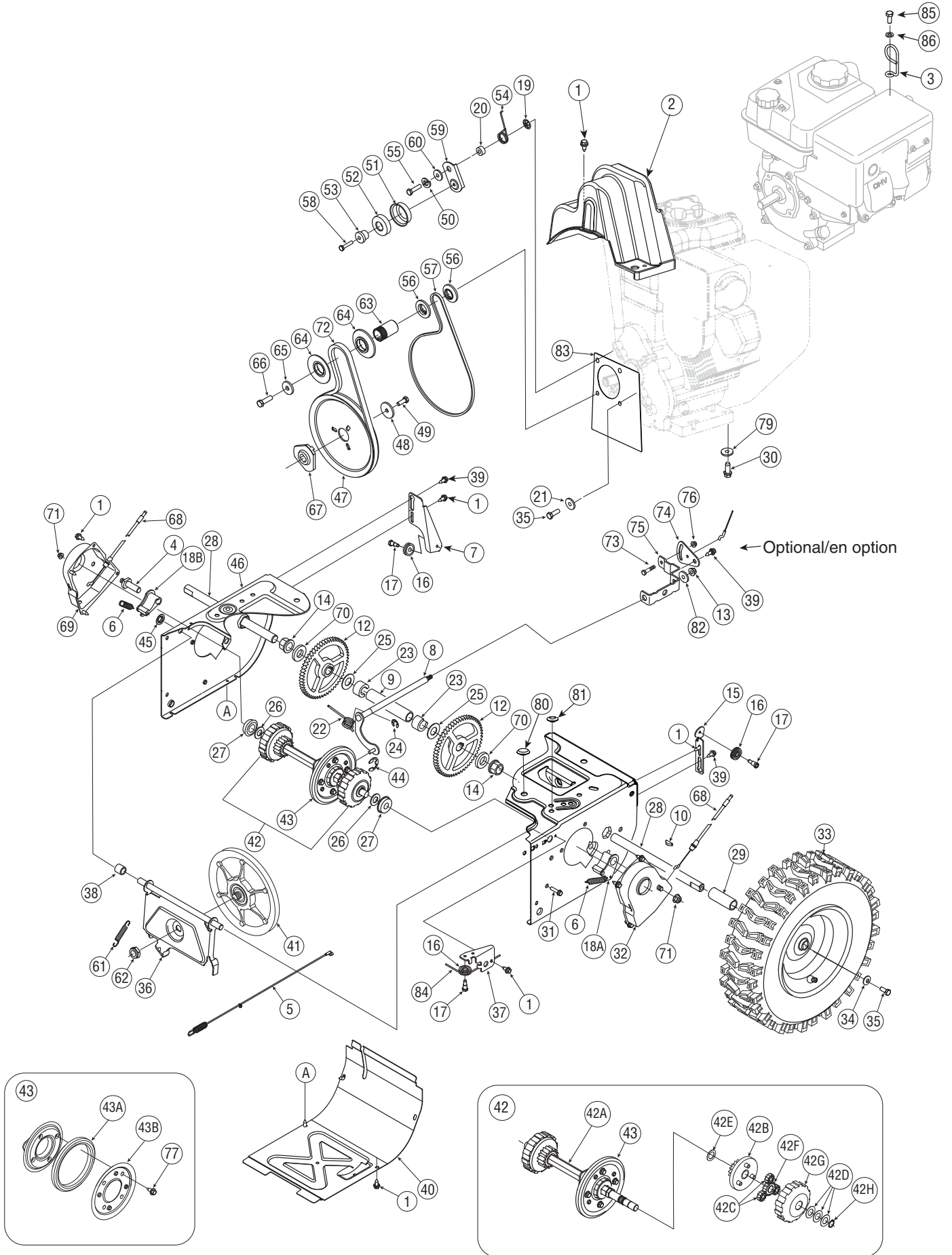
IMPORTANT: Owner must present Original Proof of Purchase to obtain warranty coverage.
MTD Products Ltd., P. O. BOX 1386, KITCHENER, ON N2G 4J1; Phone: 1-800-668-1238

05.28.08

Model Modèle	Wheel Assembly Ensemble de roue	Description Description	Tire Roue	Rim Jante	Axle Essieu
31AH6WK3	634-04145 634-04146	16 x 4.8 x 8 LH X-Trac 16 x 4.8 x 8 RH X-Trac	734-2038 734-2038	634-04173 634-04173	738-04168
31AH5WLF 31AH5WL3	634-04145 634-04146	16 x 4.8 x 8 LH X-Trac 16 x 4.8 x 8 RH X-Trac	734-2038 734-2038	634-04173 634-04173	738-04180
31AH6ZK4	634-04136 634-04137	16 x 6.5 x 8 LH X-Trac 16 x 6.5 x 8 RH X-Trac	734-2031 734-2031	634-04174 634-04174	738-04168 738-04168
31AH5ZL4 31AH5ZLG 31AH5ZQ4 31AH5ZK5	634-04136 634-04137	16 x 6.5 x 8 LH X-Trac 16 x 6.5 x 8 RH X-Trac	734-2031 734-2031	634-04174 634-04174	738-04180 738-04180
31AM63ED	634-04144A	13 x 4 Snow Hog	734-1732	634-04172A	738-04181
31AH65CG 31AH6WKF 31AH6WFF529 31AH6ZFH	634-04141	16 x 4.8 Snow Hog	734-1530	634-04173	738-04168
31AH6WFF500	634-04142A	15 X 5 Snow Hog	734-1859	634-04172A	738-04168
31AH6ZKG 31AH6ZKH	634-04135	16 X 6.5 Snow Hog	734-1525	634-04174	738-04168
31AM63K2	634-04147A 634-04148A	15 X 5 X 6 LH X-Trac 15 X 5 X 6 RH X-Trac	734-04012	634-04172A 634-04172A	738-04168
31AH5WLE 31AM53Q2 31AM53L2	634-04167A 634-04168A	13 X 4 X 6 LH X-Trac 13 X 4 X 6 RH X-Trac	734-04128	634-04172A 634-04172A	738-04180

5.1.08

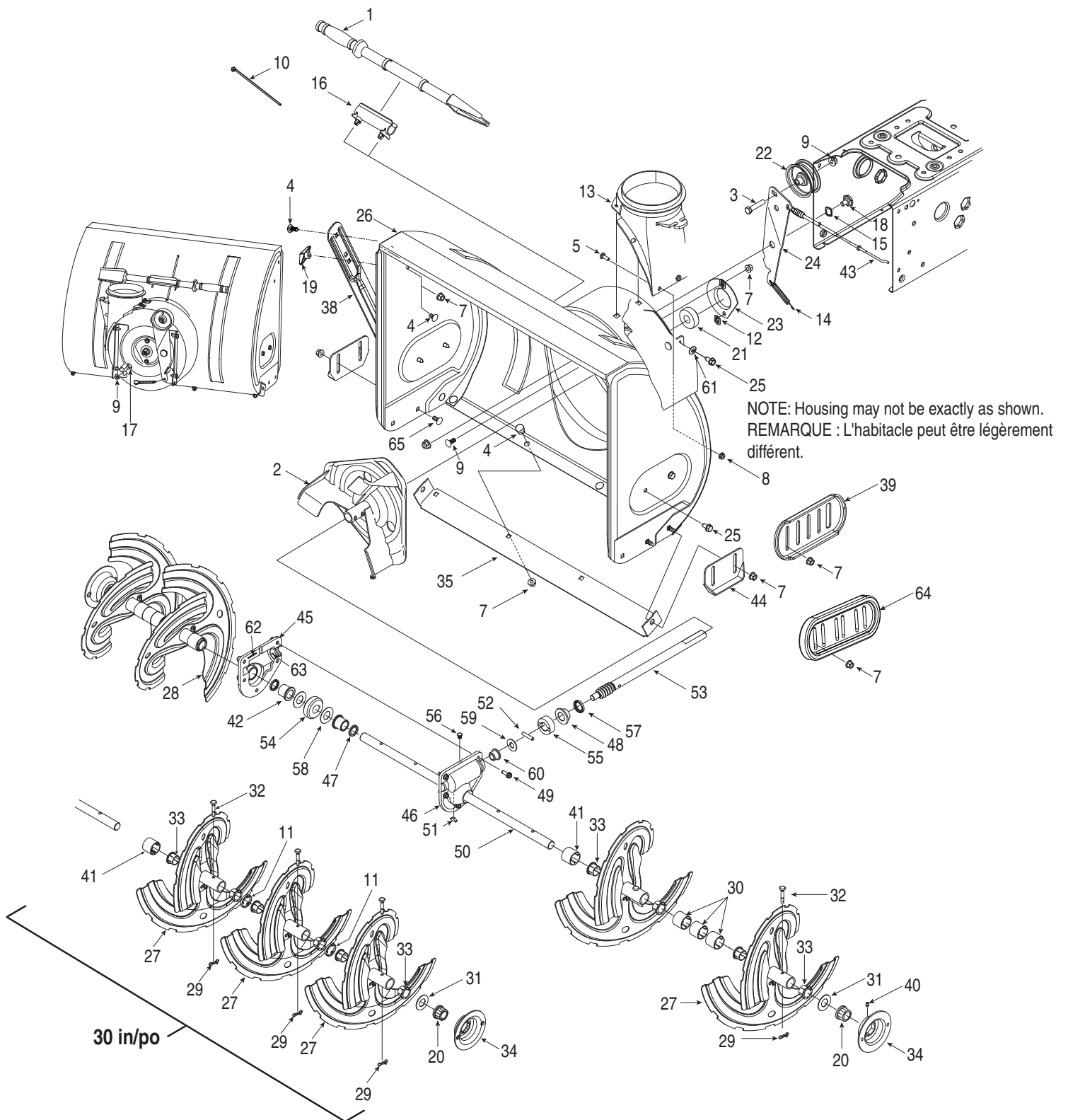
AUGER HOUSING COMPONENTS/COMPOSANTS DU LOGEMENT DES TARIÈRES					
SIZE TAILLE	AUGER HOUSING/ LOGEMENT DES TARIÈRES	AUGER AXLE/ ESSIEU DES TARIÈRES	SHAVE PLATE LAME PLATE	GEARBOX ASS'Y/ ENSEMBLE DE LA VIS SANS FIN	SPACERS/ ENTRETOISE
24	684-04270	711-04285	790-00120	618-04171A	731-04870 (1)
26	684-04071	711-04284	790-00121	618-04172A	731-04870 (2)
28	684-04272	711-04283	790-00118	618-04173A	731-04870 (3)
30	684-04273	711-04282	790-00119	618-04165A	731-04871 (2)



REF NO. N° DE RÉF	PART NO. N° DE PIÈCE	DESCRIPTION	DESCRIPTION
1	710-1652	Hex Wash Hd TT Scr. 1/4-20 x .625	Vis taraudée 1/4-20 x 0,625
2	731-04792A	Belt Cover (w/4 Way Chute Control)	Couvre-courroie(avec comm. de la goulotte à 4 fonctions)
	731-05353	Belt Cover (Std.)	Couvre-courroie (Std.)
3	732-0705	Cable Control Wire	Fil de commande de la câble
4	711-1268B	Drive Shaft Actuator	Régulateur
5	746-04229	Drive Clutch Cable 44.83" Lg.	Câble de l'entraînement 44,83 po de lg.
6	732-04345	Extension Spring .5 OD x 1.71 Lg.	Ressort d'extension 0,5 DE x 1,71 po de lg.
7	790-00207B	Guide Bracket - Drive Cable	Support - câble de l'entraînement
8	684-04156A	Shift Rod Ass'y	Tige de changement de la vitesses
9	750-04474	Axle Support Tube	Tuyau de support de l'essieu
10	714-0126	#9 HI-Pro Key 3/16 x 3/4 Dia HT	Clavette HI-Pro no. 9 - 3/16 x 3/4 dia.
12	717-04210	Gear, 56T	Engrenage 56 dents
13	712-04063	Flange Lock-Nut 5/16-18 Gr. F Nylon	Contre-écrou à embase 5/16-18Qual. F nylon
14	741-0245	Hex. Flange Bearing.751" ID	Roulement à bride à six pans 0,751 DI
15	790-00206A	Guide Bracket - Auger Cable	Support - Câble de tarière
16	756-0625	Cable Guide Roller	Guide du câble
17	738-0924A	Hex Shld.Scr.1/4-28 x .375	Vis à épaulement 1/4-28 x 0,375
18A	618-04288	Dogg Assembly - LH	CG - cliquet
18B	618-04287	Dogg Assembly - RH	CD - cliquet
19	726-04012	Push Nut	Écrou à enfoncer
20	750-04477	Spacer .340 x .750 x .360" Lg.	Entretoise 0,340 x 0,750 x 0,360 po de lg.
21	748-0234	Shoulder Spacer	Entretoise à épaulement
22	732-04311	Torsion Spring .750 ID x .968" Lg.	Ressort de torsion 0,750 DI x 0,968 po de lg.
23	731-05297	Spacer	Entretoise
24	716-0104	Retaining Ring	Anneau de retenue
25	736-0188	Flat Washer .760 ID x 1.49 OD	Rondelle plate 0,760 DI x 1,49 DE
26	736-0626	Flat Washer .580 x 1.125 x .080	Rondelle plate 0,580 x 1,125 x 0,080
27	741-04076	Ball Bearing	Roulement à billes
28	738-04180	Axle	Essieu
29	731-04873	Spacer	Entretoise
30	710-0654A	Hex Wash HD Tap Scr 3/8-16 x .88	Vis autotaraudée 3/8-16 x 0,88
31	710-0788	Hex Bolt 1/4-20 x 1.00	Vis à tête hex. 1/4-20 x 1,00
32	790-00185	Shaft Retainer - LH	Retenue d'arbre CG
33		See chart on page 19.	Voir tableau de la page 19.
34	736-0242	Cupped Washer .345 ID x .88 OD x .060	Rondelle creuse 0,345 DI x 0,88 DE x 0,060
35	710-0627	Hex L-Bolt 5/16-24 x .75 Gr. 5	Boulon hex. 5/16-24 x 0,75 Qual. 5
36	684-04154	Friction Wheel Support Brkt Ass'y	Support de la roue du friction
37	790-00096	Auger Cable Guide Bracket	Support, guide de la câble de la tarière
38	748-0190	Spacer .513 ID x 1.0	Entretoise 0,513 DI x 1,0
39	738-04184A	Shoulder Screw .373 x .105:TT 1/4-20	Vis à épaulement 0,373 x 0,105:1/4-20
40	790-00316	Frame Cover	Couvercle
41	656-04025A	Friction Wheel Disc Assembly	Disque de roue du friction
42	618-04283A	Drive Shaft Assembly (w/o Friction Wheel Ass'y)	Arbre d'entraînement (sans ensemble de la roue frottement)
42A	711-04416A	Hex Drive Shaft (500)	Arbre d'entraînement (500)
42B	618-04284	Planetary Carrier Ass'y	Porte-roue
42C	717-1209A	Gear 12T	Engrenage 12 dents
42D	736-0502	Flat Washer .58 x 1.12 x .02	Rondelle plate 0,58 x 1,12 x 0,02
42E	736-0336	Flat Washer 5/8 ID x 1.0 OD	Rondelle plate 5/8 DI x 1,0 DE
42F	717-1210A	Gear 18T	Engrenage 18 dents
42G	618-04285	Ring Planetary Gear Ass'y (500)	Ensemble de l'engrenage (500)
42H	716-0194	Retaining Ring 1.56 diam.	Bague de retenue 1,56 diam.
43	684-04159	Friction Wheel Assembly	Ensemble de la roue de frottement
43A	735-04054	Friction Wheel Rubber	Roue du friction en caoutchouc
43B	790-00174	Friction Plate	Plaque du friction
44	716-0136	Retainer Ring	Bague de retenue
45	726-0221	Cap Speed Nut 1/4 Rod	Chapeau à enfoncer
46	790-00183B	Wheel Drive Frame	Châssis de l'entraînement de roue
47	756-04109	Auger Pulley	Poulie de la tarière
48	736-0505	Flat Washer .34 x 1.50 x .150	Rondelle plate 0,34 x 1,50 x 0,150
49	710-1245B	Hex Bolt 5/16-24 x 0.875	Boulon hex. 5/16-24 x 0,875
50	736-0119	L-Wash 5/16 ID	Rondelle frein 5/16 DI
51	790-00230	Bearing Sleeve	Roulement
52	741-0919	Ball Bearing 20 x 47 x 14:6204:DS	Roulement à billes 20 x 47 x 14:6204:DS
53	750-04571	Spacer	Entretoise
54	732-04308A	Torsion Spring .850 ID x .354" Lg.	Ressort de torsion 0,850 DI x 0,354 po de lg.
55	710-0672	Hex HD. Cap Scr. 5/16-24 x 1.25 Lg.	Vis à tête hexagonale 5/16-24 x 1,25 po de lg
56	756-04252	Pulley Half	Poulie, demi
57	754-0367	Belt 3/8 X 34.4" Lg.	Courroie trapézoïdale 3/8 X 34,4 po de lg.
58	710-0809	Hex Bolt 1/4-20 x 1.25	Boulon hex. 1/4-20 x 1,25
59	790-00208C	Wheel Drive Idler Bracket	Support
60	748-04112B	Shoulder Spacer	Entretoise épaulée
61	732-0264	Extension Spring 3/8 OD x 2.50	Ressort d'extension 3/8 DE x 2,50
62	712-0417A	Jam L-Nut 5/8-18 Gr. 5 Nylon	Écrou de blocage 5/8-18 Qual. 5 Nylon
63	750-04303	Spacer .875 ID x 1.185 OD	Entretoise 0,875 DI x 1,185 DE
64	756-04113	Pulley Half	Moitié poulie
65	736-0247	Flat Washer .40 ID x 1.25 OD x .160	Rondelle plate 0,40 DI x 1,25 DE x 0,160
66	710-0191	Hex Screw 3/8-24 x 1.25	Vis à tête hexagonale 3/8-24 x 1,25
67	748-04053A	Pulley Adapter	Adaptateur de la poulie
68	746-0956B	Steering Cable	Câble
69	790-00186	Shaft Retainer - RH	Retenue d'arbre CD
70	750-0767	Axle Spacer	Entretoise - essieu
71	712-04065	Flange Lock-Nut 3/8-16 Gr. F Nylon	Contre-écrou à embase 3/8-16 Qual. F nylon
72	754-04050	Belt .5 x 35.0" Lg.	Courroie 0,5 x 35,0 po de lg.
73	710-0751	Hex Bolt 1/4-20 x .62 Gr. 5	Boulon hexagonale 1/4-20 x 0,62 Qual. 5
74	790-00217A	Pivot Bracket	Support de pivot
75	790-00218A	Shift Bracket	Support de changement de la vitesses
76	712-04064	Flange Lock-Nut 1/4-20 Gr. F Nylon	Contre-écrou à embase 1/4-20 Qual. F nylon
77	710-0896	Hex Wash. Hd. TT Scr. 1/4-14 x .625	Vis taraudée 1/4-14 x 0,625
79	736-0320	Flat Washer .38 x 1.38 x .125 (Rear left hole)	Rondelle plate 0,38 x 1,28 x 0,125 (arriere gauche trou)
80	735-04100	Plug 1/2"	Bouchon 1/2 po
81	735-04099	Plug 3/8"	Bouchon 3/8 po
82	736-3015	Flat Washer .469 x .875 x .105	Rondelle plate 0,469 x 0,875 x 0,105
83	790-00289A	Cover Plate (optional)	Plaque (en option)
84	746-04230	Auger Clutch Cable 47.23" Lg.	Câble de la tarière 47,23 po de lg.
* 85	710-04022	Hex. Hd. Cap Scr. M8-1.25:20 Gr. 8	Vis à tête chapeau M8-1,25:20 Qual. 8
* 86	736-0264	Flat Washer .330 ID x .630 OD x .0635	Rondelle plate 0,330 DI x 0,630 DE x 0,0635

* with MTD Engine Only/avec moteur MTD seulement.

31A-5003
07.02.08



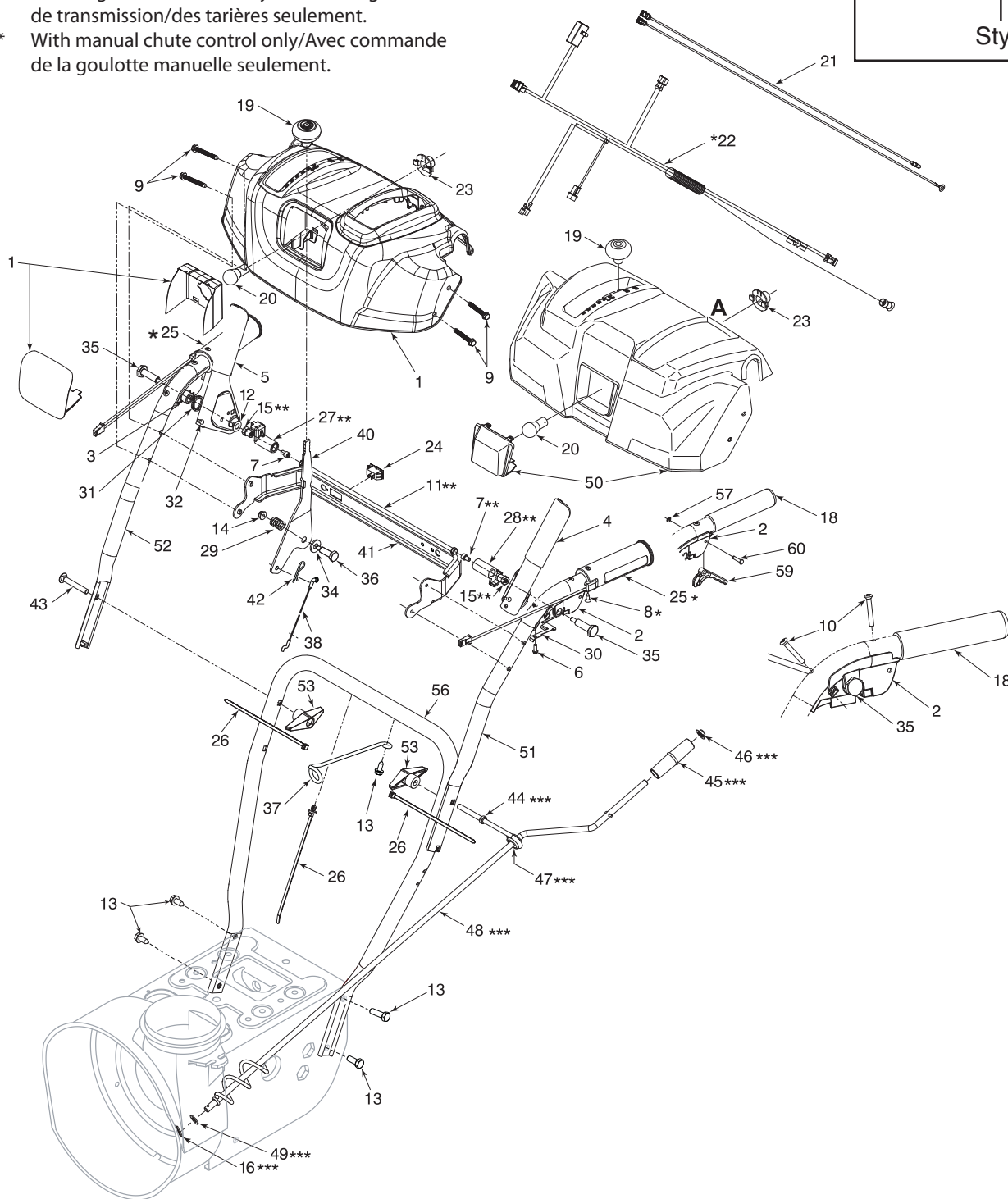
REF NO. N° DE RÉF	PART NO. N° DE PIÈCE	DESCRIPTION	DESCRIPTION
1	731-2643	Clean-Out Tool	Outil de dégagement de la goulotte
2	684-04057A	Impeller Ass'y 12 po	Ventilateur
3	710-0347	Hex Screw 3/8-16 x 1.75	Vis à tête hex 3/8-16 x 1,75
4	710-0451	Carriage Bolt 5/16-18 x .75	Boulon ordinaire 5/16-18 x 0,75
5	710-0703	Carriage Screw 1/4-20 x .75 Gr. 5	Boulon ordinaire 1/4-20 x 0,75 Qual. 5
7	712-04063	Flange Locknut 5/16-18 Gr. F Nylon	Contre-écrou à embase 5/16-18 Qual. F nylon
8	712-04064	Hex L-Flanged Nut 1/4-20 Gr. F Nylon	Contre-écrou à embase 1/4-20 Qual. F nylon
9	712-04065	Hex L-Flanged Nut 3/8-16 Gr. F Nylon	Contre-écrou à embase 3/8-16 Qual. F nylon
10	725-0157	Cable Tie	Attache câble
11	731-04871	Spacer 1.25 x .75 x 3/16" Lg.	Entretoise 1,25 x 0,75 x 3/16 po de lg.
12	726-04012	Push-on Nut .25 dia.	Écrou pousser 0,25 diam.
13	731-04705	Chute Adapter	Adaptateur de goulotte d'éjection
14	732-04460	Extension Spring .38 OD x 4.59" Lg.	Ressort d'extension 0,38 DE x 4,59 po de lg.
15	736-0174	Wave Washer .660 ID x .88 OD x .010	Rondelle ondulée 0,660 DI x 0,88 DE x 0,010
16	731-2635	Cleanout Tool Mount	Montage de la outil de dégagement de la goulotte
17	738-0143	Shld. Scr. .500 Dia. x .335" Lg.	Vis à épaulement dia. 0,500 po x 0,335 po de lg.
18	738-0281	Shoulder Scr .625 Dia x .170	Vis à épaulement dia 0,625 x 0,170 po
19	720-0284	Hand Knob	Bouton
20	741-0245	Hex. Flange Brg. .751" I.D.	Roulement 0,75 DI
21	741-0309	Self-aligning bearing	Roulement auto-aligneur
22	756-0981B	Flat Idler Pulley 2.75" OD	Poulie tendeur 2,75 DE
23	790-00075	Bearing Housing 1.85 ID	Carter de la roulement 1,85 DI
24	790-00080A	Auger Idler Brake Bracket	Support
25	710-04484	Hex TT Screw 3/8-16 x .75	Vis taraudée 3/8-16 x 0,75
26		See chart on page 30.	Voir tableau de la page 30.
27	684-04107	Spiral Ass'y LH	Tarière CG
28	684-04108	Spiral Ass'y RH	Tarière CD
29	714-04040	Bow Tie Cotter Pin	Goupille fendue
30		See chart on page 30.	Voir tableau de la page 30.
31	736-0188	Flat Washer .760 ID x 1.49 OD	Rondelle plate 0,760 DI x 1,49 DE
32	738-04124A	Shear Pin .25 x 1.5 Gr. 2	Goupille de cisaillement 0,25 x 1,5 po de lg
33	741-0493A	Flange Bushing	Collet à bride
34	790-00087A	Bushing Housing	Carter de la collet
	790-00138A	Bushing Housing (w/grease fitting hole)	Carter de la collet (avec trou pour raccord de graissage)
35		See chart on page 30.	Voir tableau de la page 30.
38	790-00181	Drift Cutter - Optional	Virole de réglage - en option
39	790-00091	Reversible Slide Shoe (steel)	Patin réversible (acier)
40	737-3000	Grease Fitting (optional)	Raccord de graissage (en option)
41	731-04870	Spacer 1.25 x .75 x 1.00	Entretoise 1,25 x 0,75 x 1,00 po de lg.
42	741-0661A	Flange Bearing .75 ID x 1.0 OD x .975	Roulement 0,75 DI x 1,0 DE x 0,975
43	746-04230	Auger Clutch Cable	Câble de tarière
44	784-5580	Slide Shoe	Sabot coulissant
45	719-04291	RH Reduced Auger Housing	Carter de l'engrenage CD
46	719-04292	LH Reduced Auger Housing	Carter de l'engrenage CG
47	721-0338	Oil Seal .75 x 1.0 x .125	Joint d'étanchéité d'huile 0,75 x 1,0 x 0,125
48	741-0662	Flange Bearing .75 ID x 1.00 OD x .50	Roulement 0,75 DI x 1,00 DE x 0,50
49	710-0642	Thd Forming Scr. 1/4-20 x .75	Vis taraudée 1/4-20 x 0,75
50		See chart on page 30.	Voir tableau de la page 30.
51	714-0161	Hi Pro Key 3/16 x 5/8	Clé 3/16 x 5/8
52	715-04021	Dowel Pin .25 OD x 1.2	Goupille 0,25 x 1,2
53	717-04126	Worm Shaft .75 OD	Arbre 0,75 DE
54		See chart on page 30.	Voir tableau de la page 30.
55	718-04071	Thrust Collar	Collet
56	721-0325	Plug, 1/4 x .437	Bouchon 1/4 x 0,437
57	721-0327	Oil Seal .75 x 1 x .131	Joint d'huile 0,75 DI x 1 x 0,131
58	736-0351	Flat Washer .76 ID x 1.5 OD x .03	Rondelle plate 0,76 DI x 1,5 DE x 0,03
59	736-3084	Fl. Washer .510 x 1.120 x .060	Rondelle frein 0,510 x 1,120 x 0,060
60	741-0663	Flange Bearing .75 ID x 1.0 OD x .925	Roulement 0,75 DI x 1,0 DE x 0,925
61	736-0242	Cupped Washer .345 ID x .88 OD x .060	Rondelle creuse 0,345 DI x 0,88 DE x 0,060
62	721-0328	Loctite Sealant 5699	Loctite
63	737-0168	Grease - Alvania EP Lead Free	Graisneur
64	731-05984	Reversible Slide Shoe (plastic)	Patin réversible (plastique)
65	710-0451	Carriage Bolt 5/16-18 x .75 (w/steel slide shoes)	Boulon ordinaire 5/16-18 x 0,75 (avec sabot coulissant acier)
	710-0276	Carriage Bolt 5/16-18 x 1.0 (w/plastic slide shoes)	Boulon ordinaire 5/16-18 x 1,0 (avec sabot coulissant acier)

31A-6002
6.21.07

Styles H, K, L, P & Q

Model Number/
Numéro de modèle
31AE6GKF500
↑
Style

- * With heated grips only/Avec poignées chauffées seulement.
- ** With auger control lock only/Avec blocage de la commande de transmission/des tarières seulement.
- *** With manual chute control only/Avec commande de la goulotte manuelle seulement.



REF NO. N° DE RÉF	PART NO. N° DE PIÈCE	DESCRIPTION	DESCRIPTION
1	631-04180	Handle Panel Ass'y - Yellow	Panneau - jaune
1	631-04185	Handle Panel Ass'y - Black	Panneau - noir
1	631-04183	Handle Panel Ass'y-Black w/Chute Control	Panneau - noir avec comm. de la goulotte
2	631-04133A	LH Clutch Lock Handle Ass'y	Poignée d'embrayage CG
3	631-04134B	RH Clutch Lock Handle Ass'y	Poignée d'embrayage CD
4	684-04105B	Engagement Handle Assembly LH	Poignée d'entraînement CG
5	684-04106B	Engagement Handle Assembly RH	Poignée d'entraînement CD
6	710-04326	Screw #8-16 x .50	Vis n°. 8-16 x 0,50
7	710-3069	Hex Cap Socket Screw 1/4-20 x .5	Vis 1/4-20 x 0,5
8	710-0837	Oval HD C-Sunk Scr #10 x 5/8	Vis à tête goutte de suif n°. 10 x 5/8
9	710-04586	Hex TT-Tap Scr 1/4-20 x 1.625	Vis taraudée 1/4-20 x 1,625
10	710-1233	Oval C-Sunk Hd Screw 10-24 x 1.375	Vis 10-24 x 1,375
11	684-04250	Pivot Rod	Tige de pivot
13	710-04484	Hex TT Screw 3/8-16 x .75	Vis taraudée 3/8-16 x 0,75
14	712-04064	Hex L-Flanged Nut 1/4-20 Gr. F Nylon	Contre-écrou à embase 1/4-20 Qual. F nylon
15	712-04081A (**)	Hex Shoulder Nut 1/4-20	Écrou 1/4-20
	712-04064 (*)	Hex L-Flg Nut 1/4-20 Gr. F Nylon	Contre-écrou à embase 1/4-20 Qual. F nylon
16	714-0104	Int. Cotter Pin .072 x 1.13" Lg.	Goupille fendue int. 0,072 x 1,13 po de lg.
18	720-0274	Grip	Poignée
19	720-04039	Shift Knob	Bouton
	720-04045	Shift Knob - Yellow	Bouton - jaune
20	725-04213	Lamp #1295	Ampoule n°. 1295
	725-1629	Lamp (208 cc/179 cc MTD engine)	Ampoule
21	725-04314	Wire Harness	Faisceau de fil
	625-04054	Wire Harness (w/sq. alternator connector)	Faisceau de fil (avec carrée connecteur)
22	725-04216A	Heated Grip Wire Harness	Faisceau de fil - poignée chauffée
23	725-1649	Socket	Douille
24	725-04393	Switch	Contracteur
25	725-1757	Heated Grip	Poignée chauffée
26	726-0154	Cable Tie (w/plug)	Attache-câble
	725-0157	Cable Tie (w/heated grips)	Attache-câble (avec poignée chauffée)
** 27	731-04894D	Lock Plate	Palastre de serrure
** 28	731-04896B	Clutch Lock Cam	Camé
29	732-0193	Compression Spring .38 ID x .88 Lg	Ressort de compression 0,38 DI x 0,88 po de lg.
30	732-04219C	Spring: Clutch Lock	Ressort: Verrou d'embrayage
31	732-04238	Torsion Spring .8156 x .3038	Ressort de torsion 0,8156 x 0,3038
32	735-0199A	Rubber Bumper	Pare - chocs en caoutchouc
34	736-0267	Flat Washer .38 ID x .87 OD x .09	Rondelle plate 0,38 DI x 0,87 DE x 0,09
35	738-04348	Shoulder Screw .437 x 1.345: 1/4-20	Vis à épaulement 0,437 x 1,345: 1/4-20
36	738-04125	Shoulder Screw .374 Dia. x 1.05 Lg.	Vis à épaulement 0,374 dia. x 1,05 po de lg.
37	747-04784	Cable Guide (W/B&S engine)	Guide du câble (avec B&S moteur)
38	746-04396	Selector Speed Cable	Câble
40	790-00311	Shift Lever	Levier de changement de la vitesse
41	790-00248B	Panel Support	Support de panneau de bord
42	714-0145	Cotter Pin	Goupille fendue
43	710-0449	Carriage Bolt 5/16-18 x 2.25	Boulon ordinaire 5/16-18 x 2,25
*** 44	747-04263	Chute Crank Eye Bolt Special	Boulon à oeil spécial
*** 45	720-0201A	Knob 1.0 x 3.2	Bouton 1,0 x 3,20
*** 46	726-0100	Push Nut 3/8" Rod	Écrou pour tige de 3/8 po
*** 47	735-0234	Grommet	Grummet
*** 48	684-04104	Chute Crank Assembly	Manivelle de la goulotte
*** 49	736-0185	Flat Washer .406" I.D. x .75" O.D.	Rondelle plate 0,406 DI x 0,75 DE
50	631-04181	Handle Panel Ass'y - Troy-Bilt	Panneau - Troy-Bilt
51	749-04191A	Upper Handle LH	Guidon supérieur CG
52	749-04190A	Upper Handle RH	Guidon supérieur CD
53	720-0284	Handle Knob Assembly	Bouton
56	749-04138A	Lower Handle	Guidon inférieur
57	716-04036	E Ring	Bague en «E»
59	731-04913	Steering Control	Commande d'orientation
60	738-04126	Pin 3/16	Goupille 3/16

31A-6006
5.20.08

* Models without auger control lock./Modèles sans blocage de la commande de transmission/des tarières.

** Models with auger control lock./Modèles avec blocage de la commande de transmission/des tarières.

*** Models with manual chute crank./Modèles avec commande de la goulotte manuel.

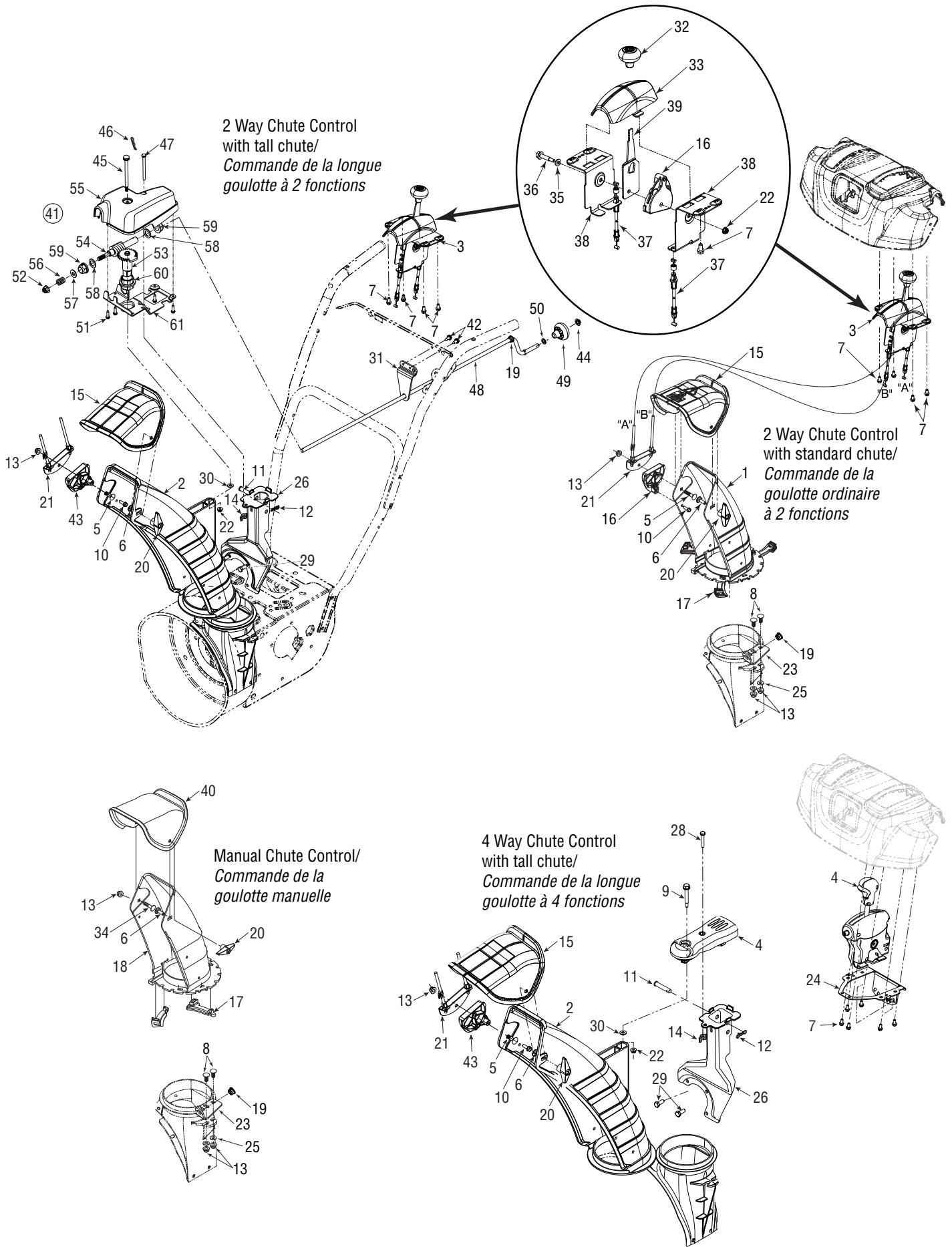
9

Parts List Pièces détachées



For parts and/or accessories refer to customer support on page 2.

Adressez-vous au «Service après-vente» à la page 2 pour ce qui concerne les pièces et/ou accessoires.



REF NO. N° DE RÉF	PART NO. N° DE PIÈCE	DESCRIPTION	DESCRIPTION
1	631-04131B	Lower Chute (2 Way)	Goulotte inférieur (2 fonctions)
2	731-06440	Tall Lower Chute	Longue goulotte inférieur
3	684-04325	2 Way Chute Control Assembly	Ens. - commande de la goulotte à 2 fonctions
4	684-04331	4 Way Chute Control Assembly	Ens. - commande de la goulotte à 4 fonctions
5	710-0262	Carriage Bolt 5/16-18 x 1.50 Gr. 2	Boulon ordinaire 5/16-18 x 1,50 Qual. 2
6	710-04071	Carriage Screw 5/16-18 x 1.0	Vis ordinaire 5/16-18 x 1,0
7	710-04187	Hi-Lo Screw 1/4-15 x .5	Vis 1/4-15 x 0,5
8	710-0276	Carriage Bolt 5/16-18 x 1.00" Lg	Boulon ordinaire de 5/16-18 x 1,00 po de lg
9	738-04194	Shoulder Screw .312 x 1.7:1/4-20	Vis épaulement 0,312 x 1,7:1/4-20
10	710-0895	Hex Tapp Scr 1/4 x .75" Lg.	Vis taraudée à tête hex. de 1/4 x 0,75 po de lg
11	711-04469A	Clevis Pin 3/8 x 1.87	Axe de chape 3/8 x 1,87
12	714-04040	Bow Tie Cotter Pin	Goupille fendue
13	712-04063	Flange Locknut 5/16-18 Gr. F Nylon	Contre-écrou à embase 5/16-18 Qual. F nylon
14	712-3087	Wing Nut 1/4-20	Écrou en oreilles 1/4-20
15	731-04425B	Upper Chute w/Export Label, Remote	Goulotte sup., étiquette d'exp., comm. a distance
16	731-1313C	Cable Guide	Guide de la câble
17	731-04869	Chute Flange Keeper	Garde-bride de la goulotte
18	731-04912B	Lower Chute	Goulotte inférieur
19	741-0475	Plastic Bushing .380 ID	Manchon en plastique de 0,38 po de D.I.
20	720-0284	Handle Knob Assembly	Bouton
21	784-5594	Cable Bracket Chute Tilt	Support de câble
22	712-04064	Hex L-Flanged Nut 1/4-20 Gr. F Nylon	Contre-écrou à embase 1/4-20 Qual. F nylon
23	784-5647	Chute Crank Brkt.	Support du bras de goulotte d'éjection
24	790-00131	Bracket: Chute Control	Support: Commande de la goulotte
25	736-0159	Flat Washer .349 ID x .879 OD x .063	Rondelle plate 0,349 DI x 0,879 DE x 0,063
26	684-04311	Support Bracket	Support
27	710-04187	Hi-Lo Screw 1/4-15 x .50	Vis 1/4-15 x 0,50
28	710-0606	Hex Hd. Cap Screw 1/4-20 x 1.5 Gr. 5	Vis à tête hex. 1/4-20 x 1,5 Qual. 5
29	710-0627	Hex Hd. Cap Screw 5/16-24 x .75	Vis à tête hex. 5/16-24 x 0,75
30	736-0463	Flat Washer .25 ID x .63 OD x .0515	Rondelle plate 0,25 DI x 0,63 x 0,0515
31	790-00341	Support Rod Bracket	Support
32	720-04039	Knob	Bouton
33	731-05307	Control Cover - 2 Way	Couvercle (2 fonctions)
34	710-0451	Carriage Bolt 5/16-18 x .75	Boulon ordinaire 5/16-18 x 0,75
35	736-0413	Spring Washer .390 x .625 x .012	Rondelle ressort .390 x .625 x .012
36	738-04185	Flg Shlder Screw .310 x .995: 1/4-20	Vis à epaulée 0,310 x 0,995: 1/4-20
37	746-04238	Cable - w/standard chute	Câble - avec goulotte ordinaire
	746-04527	Cable - w/tall chute	Câble - avec longue goulotte
38	790-00200	Mounting Bracket - 2 Way	Bracket - 2 fonctions
39	790-00210A	Lever - 2 Way	Levier - 2 fonctions
40	731-04354B	Upper Chute	Goulotte supérieur
41	618-04748	Gearbox Assembly	Boîtier d'engrenage
42	710-1652	Hex Wash Hd TT Scr. 1/4-20 x .625	Vis taraudée 1/4-20 x 0,625
43	731-06451	Cable Guide	Guide de la câble
44	726-0100	Push Nut 3/8" Rod	Écrou pour tige de 3/8 po
45	738-04367	Flg. Shoulder Screw .312 x 3.5: 1/4-20	Vis à épaulement 0,312 x 3,5: 1/4-20
46	714-0101	Internal Cotter Pin	Goupille fendue - int.
47	710-04370	Hex. Hd. Cap Scr. 1/4-20 x 3.0 Gr. 5	Vis à tête hex. 1/4-20 x 3,0 Qual., 5
48	747-05006	Chute Crank .375 Dia. x 30.5" Lg.	Manivelle de la goulotte 0,375 diam. x 30,5
49	720-04102	Knob	Bouton
50	736-0140	Flat Washer .385 x .62 x .063	Rondelle plate 0,385 x 0,62 x 0,063
51	710-04373A	Hi-Lo Screw #12-16 x .75	Vis no. 12-16 x 0,75
52	712-04065	Hex L-Flanged Nut 3/8-16 Gr. F Nylon	Contre-écrou à embase 3/8-16 Qual. F nylon
53	684-04336	Gear 23 teeth helical w/hub	Engrenage 23 dents avec moyeu
54	717-04636	Worm Shaft	Arbre de vis sans fin
55	731-06618	Cover	Couvercle
56	732-0193	Compression Spring .39 x .60 x .88	Ressort de compression 0,39 x 0,60 x 0,88
57	736-0267	Flat Washer .385 x .87 x .06	Rondelle plate 0,385 x 0,87 x 0,06
58	736-0290	Flat Washer .625 x 1.0 x .067	Rondelle plate 0,625 x 1,0 x 0,067
59	741-0225	Hex Flg. Bearing	Roulement à six pans à embase
60	741-04354	Hex Bearing	Roulement à six pans
61	790-00342	Chute Gear Rotation Bracket	Support de l'engrenage de la goulotte

31A-6004
5.20.08

9

Parts List Pièces détachées



For parts and/or accessories refer to customer support on page 2.

Adressez-vous au «Service après-vente» à la page 2 pour ce qui concerne les pièces et/ou accessoires.

For parts and/or accessories refer to customer support on page 2.
Adressez-vous au «Service après-vente» à la page 2 pour ce qui concerne les pièces et/ou accessoires.



NOTES:

NOTES:



For parts and/or accessories refer to customer support on page 2.
Adresssez-vous au «Service après-vente» à la page 2 pour ce qui concerne les pièces et/ou accessoires.

IMPORTANT : Le propriétaire doit présenter le reçu original pour faire honorer la garantie.
 MTD Products Ltd., C.P. 1386, Kitchener, Ontario N2G 4J1; téléphone: 1-800-668-1238

La garantie limitée qui est énoncée ci-dessous est offerte par MTD Products Limited, pour toutes les marchandises achetées et utilisées au Canada et/ou ses territoires (l'une ou l'autre entité respectivement appelée « MTD »). « MTD » garantit que ce produit (à l'exception des pièces à usure normale énumérées ci-dessous) est exempt de tout vice de matière et de fabrication pour une durée de trois (3) ans à compter de la date de l'achat initial et s'engage à réparer ou à remplacer, gratuitement et à son choix, toute pièce qui s'avère défectueuse en raison d'un vice de matière ou de fabrication. Cette garantie limitée n'est applicable que si ce produit a été utilisé et entretenu conformément aux instructions de la notice d'utilisation qui l'accompagne. De plus, le produit ne doit pas avoir fait l'objet d'un emploi incorrect ou abusif, d'une utilisation à des fins commerciales, d'une négligence, d'un accident, d'un entretien incorrect, d'une modification, d'un acte de vandalisme, d'un vol, d'un incendie, d'une inondation ou de tout autre dégât causé par tout incident ou désastre naturel. Les dégâts causés par l'installation ou l'utilisation d'une pièce, d'un accessoire ou d'un équipement annexe, dont l'emploi avec le produit faisant l'objet de la notice d'utilisation n'est pas homologué par MTD, rendront la garantie nulle et non avenue.

Les pièces ou composants à usure normale sont garantis exempts de tout vice de matière et de fabrication pour une période de 30 jours à compter de la date d'achat. Les pièces et composants à usure normale comprennent, sans s'y limiter, les batteries, courroies, lames, adaptateurs de lame, sacs à herbe, roues du plateau de coupe des tondeuses à moteur, les filtres à air et bougies.

POUR FAIRE HONORER LA GARANTIE : Présentez UNE PREUVE D'ACHAT à la station technique agréée de votre localité. Pour localiser une station technique agréée ou un concessionnaire dans votre région, adressez-vous à MTD Products Limited, Kitchener, Ontario, N2G 4J1 ou appelez le 1-800-668-1238 ou visitez notre site web au www.midcanada.com

Cette garantie limitée ne couvre pas :

- Le moteur ou ses composants. Ces articles peuvent être couverts par une garantie séparée du fabricant. Consultez la garantie du fabricant quant aux conditions. Le moteur Powermore à soupapes en tête n'est pas exclus aux termes de cette garantie.
- Les pompes, soupapes et pistons des tenduses à bois sont couverts par une garantie séparée d'un an.
- Les articles d'entretien courant tels que les lubrifiants, filtres, aiguillages de lame et révisions, les réglages de frein, de l'embrayage ou du plateau de coupe et la détérioration normale de la finition du fait de l'utilisation de la machine ou de son exposition aux intempéries.
- L'entretien ou les réparations effectués par quiconque autre qu'une station technique agréée.
- MTD ne garantit pas les produits vendus ou exportés du Canada, de ses possessions et territoires.
- Les pièces de rechange si elles ne sont pas des pièces MTD authentiques.
- Les frais de transport des machines et de déplacement des techniciens.
- Les produits utilisés dans un but commercial. Certains produits peuvent être accompagnés d'une garantie limitée MTD séparée pour usage commercial. Renseignez-vous auprès du concessionnaire ou détaillant pour plus de détails ou adressez-vous directement au service après-vente de MTD.)

Aucune garantie tacite, y compris toute garantie tacite de qualité marchande ou d'adaptabilité dans un but particulier, ne s'applique aux pièces identifiées ci-dessus après la période de vigueur de la garantie écrite ci-dessus. Aucune autre garantie expresse, qu'elle soit verbale ou écrite, à l'exception des stipulations ci-dessus, offerte par toute personne ou entité (y compris un concessionnaire/revendeur), pour tout produit, n'engage MTD. Pendant la période de garantie, la réparation ou le remplacement du produit ci-dessus constitue le recours exclusif à la disposition du client.

Les stipulations énoncées dans cette garantie offrent le seul recours à la suite de la vente. MTD ne peut être tenu responsable pour toute perte ou tout dommage accessoire ou immatériel comprenant, sans s'y limiter, les frais de remplacement ou de substitution des services d'entretien des pelouses ou les frais de location pour remplacer temporairement un article sous garantie.

Certaines juridictions ne permettent pas l'inclusion ou la restriction des dommages accessoires ou immatériels ou une limite à la durée de la garantie tacite. Par conséquent, les exclusions ci-dessus peuvent ne pas s'appliquer dans votre situation.

Le remboursement ou remplacement quel qu'il soit ne sera en aucun cas supérieur au montant du prix d'achat du produit vendu. **Toute modification des caractéristiques de sécurité rendra la garantie nulle et non avenue.** L'utilisateur assume tout risque et toute responsabilité en cas de perte, de dommage matériel ou de blessure résultant de l'utilisation incorrecte du produit ou de l'incapacité de l'employer.

Cette garantie limitée n'est offerte qu'à l'acheteur initial ou à la personne à laquelle le produit a été offert en cadeau. LES LOIS LOCALES ET CETTE GARANTIE : Cette garantie limitée vous accorde des droits juridiques spécifiques et vous pouvez bénéficier d'autres droits qui varient selon les juridictions.

GARANTIE LIMITÉE DE TROIS ANS

8

Garantie



Le non-respect des conseils d'entretien et de lubrification annule la garantie.

Solution	Cause(s)	Problème
<ol style="list-style-type: none"> 1. Sélectionner la position "volet de départ"; 2. Brancher le fil de la bougie. 3. Faire le plein avec une essence propre et fraîche. 4. Consulter le chapitre "Utilisation de la Souffleuse". 5. Nettoyer, régler l'écartement ou remplacer la bougie. 6. La nettoyer. 7. Mettre la clé. 	<ol style="list-style-type: none"> 1. Volet de départ n'est pas fermé. 2. Fil de la bougie débranché. 3. Réservoir vide ou essence éventée. 4. Bouton de l'amorceur n'étant pas employé correctement. 5. Bougie défectueuse. 6. Canalisations de carburant bouchées. 7. La clé de contact du moteur n'est pas mise. 8. Robinet d'arrivée de carburant fermé. 	<p>Le moteur ne démarre pas</p>
<ol style="list-style-type: none"> 1. Enlever de la position "volet de départ"; 2. Nettoyer la canalisation; faites le plein avec une essence propre. 3. Débrancher la canalisation d'essence au carburateur pour vider le réservoir d'essence. Faites le plein avec une essence fraîche. 4. Adressez-vous à une station 	<ol style="list-style-type: none"> 1. Machine fonctionnant avec le volet de départ fermé. 2. Canalisation de carburant bouchée ou essence éventée. 3. Eau ou saleté dans le système d'essence. 4. Carburateur est mal réglé. 	<p>Fonctionnement irrégulier</p>
<ol style="list-style-type: none"> 1. Adressez-vous à une station technique. 		<p>Moteur surchauffe</p>
<ol style="list-style-type: none"> 1. Arrêtez immédiatement le moteur et débranchez le fil de la bougie. Serrez tous les boulons et écrous. Si les vibrations persistent, faites vérifier la machine par une station technique agréée. 	<ol style="list-style-type: none"> 1. Pièces desserrées ou vis sans fin endommagées. 	<p>Vibration excessives</p>
<ol style="list-style-type: none"> 1. Branchez et serrez le fil de la bougie. 2. Dégagez la glace et la neige du chapeau. Assurez-vous de la propreté d'aération. 3. Adressez-vous à une station technique. 	<ol style="list-style-type: none"> 1. Fil de la bougie desserré. 2. Chapeau d'échappement d'aération bouché. 3. Le port d'échappement est bouché. 	<p>Perte de puissance</p>
<ol style="list-style-type: none"> 1. Réglez le câble d'entraînement. Voir le Réglages. 2. Remplacez la courroie d'entraînement. 3. Remplacez la roue de frottement. 	<ol style="list-style-type: none"> 1. Câble d'entraînement mal réglé. 2. Courroie d'entraînement abîmée ou ayant du jeu. 3. La roue de frottement est usée. 	<p>La souffleuse n'avance pas</p>
<ol style="list-style-type: none"> 1. Arrêtez immédiatement le moteur et débranchez le fil de la bougie. Nettoyez la goulotte d'évacuation et l'intérieur du logement de la tarrière. 2. Arrêtez immédiatement le moteur et débranchez le fil de la bougie. Dégagez le corps étranger de la tarrière avec l'outil de dégagement de la goulotte ou un bâton. 3. Voir Test de commande de la tarrière. 4. Voir le Régime d'entretien. 5. Remplacez la goupille de cisaillement. 	<ol style="list-style-type: none"> 1. Goulotte d'évacuation bouchée. 2. Présence de corps étranger dans la tarrière. 3. Câble d'entraînement de la tarrière mal réglé. 4. Courroie d'entraînement de la tarrière abîmée ou ayant du jeu. 5. Goupille de cisaillement est cisailée. 	<p>La souffleuse n'évacue pas la neige</p>

Dépannage



REMARQUE: Ce chapitre concerne des problèmes d'entretien mineurs. Pour plus de détails, adressez-vous au service après-vente.



Régime

6



Ne remplacez JAMAIS

les boulons de cisaillement des tarières par des boulons hexagonaux ordinaires. Tout dégât aux tarières, ou à leurs autres pièces composantes, causé par l'utilisation de boulons ordinaires ne sera pas couvert par la garantie de la souffreuse.

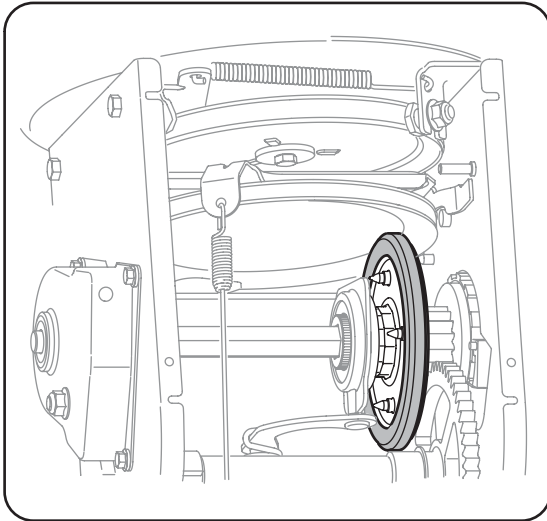


Figure 6-11

Instructions de remisage

Si le moteur doit être entreposé pendant plus de 30 jours, préparez-le de la façon selon les instructions fournies dans la notice d'utilisation du moteur qui accompagne votre souffreuse.

- Consultez la notice d'utilisation du moteur. Enlevez tout les débris sur l'extérieur de la souffreuse.
- Suivez les renseignements de lubrification à la page 16.
- Entrez la souffreuse dans un endroit sec et propre.
- Prenez soin, avant de remettre une machine à moteur dans un abri métallique ou mal aéré, de bien la protéger contre la rouille. Enduisez la machine en particulier les chaînes, ressorts, roulements et câbles, d'une couche d'huile légère ou de silicone.

Inspection de la roue de freinage
Si la souffreuse n'avance pas lorsque la commande est enclenchée et si l'ajustement du câble de commande ne parvient pas à corriger le problème, il faudra peut-être remplacer la roue de freinage.

REMARQUE: Des outils spéciaux sont nécessaires et

certaines pièces doivent être démontées pour remplacer le caoutchouc de la roue de freinage. Adressez-vous à une station technique agréée pour faire remplacer la roue de freinage ou téléphonez au service après-vente (voir la page 2) pour commander une notice d'utilisation.

Pour inspecter la roue de freinage, procédez comme

suit:

1. Basculez doucement la souffreuse vers l'avant pour la faire reposer sur l'habitacle de la tarière. Voir la Figure 6-5.

2. Démontez le couvre-châssis du dessous de la

souffreuse en retirant les quatre vis auto-taraudeuses

qui le maintiennent en place. Voir la Figure 6-5.

3. Examinez soigneusement la roue de freinage pour

détecter tout signe d'usure ou de fendillement. Voir la

Figure 6-11.

Remplacement de la courroie de transmission



AVERTISSEMENT: Laissez tourner le moteur jusqu'à ce qu'il tombe en panne d'essence avant de faire basculer la souffluse.

Pour démonter et remplacer la courroie de transmission de la souffluse, procédez comme suit :

1. Retirez le couvre-courroie en plastique sur le devant du moteur en enlevant les deux vis auto-taradeuses. Voir la Figure 6-4.
2. Basculez doucement la souffluse vers l'avant pour la faire reposer sur l'habitacle de la tarière. Voir la Figure 6-5.
3. Démontez le couvre-châssis du dessous de la souffluse en retirant les quatre vis auto-taradeuses qui le maintiennent en place.

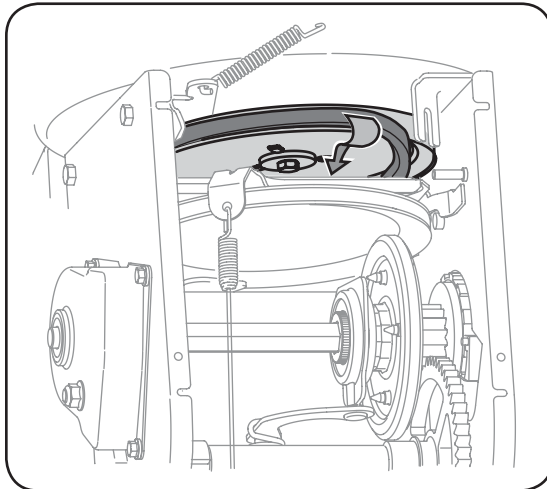


Figure 6-8

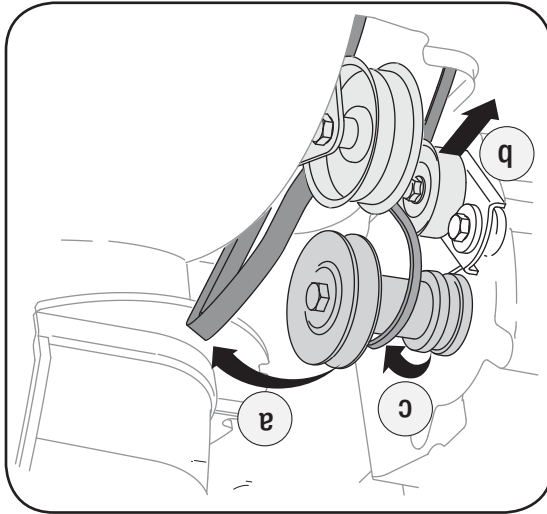


Figure 6-9

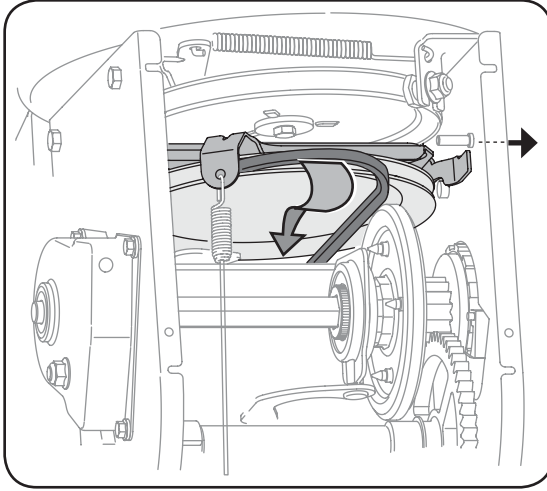


Figure 6-10

REMARQUE: Effectuez à nouveau l'ajustement de la commande de la transmission à la page 12 avant d'utiliser la souffluse.

4. Dégagez la courroie de la tarière de la poulie motrice.
5. Utilisez une clé pour pivoter la poulie de tension vers la droite. Voir la Figure 6-9.
6. Dégagez la courroie de transmission de la poulie motrice.
7. Dégagez la courroie de transmission de la poulie et de l'espace entre la roue de frottement et le disque de la roue de frottement. Voir la Figure 6-10.
8. Retirez la courroie et installez la courroie neuve en procédant dans l'ordre inverse.

Régime

6



Ne remplacez JAMAIS les boulons de cisaillement des tarières par des boulons hex. ordinaires. Tout dégât aux tarières, ou à leurs autres pièces composantes, causé par l'utilisation de boulons ordinaires ne sera pas couvert par la garantie de la souffluse.

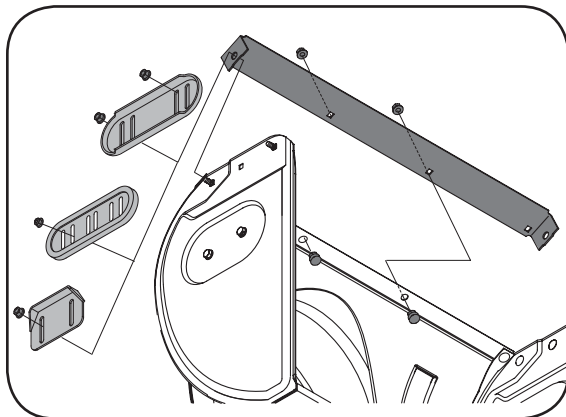


Figure 6-3

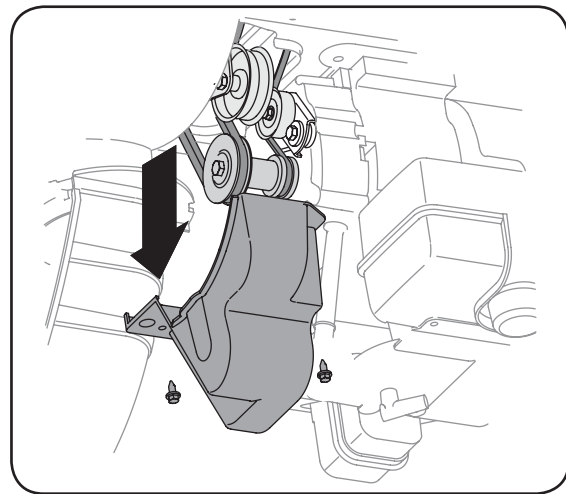


Figure 6-4

Pour démonter et remplacer la courroie de la tarière de la souffléuse, procédez comme suit :

1. Retirez le couvre-courroie en plastique sur le devant du moteur en enlevant les deux vis auto-taraudeuses. Voir la Figure 6-4.
2. Basculez doucement la souffléuse vers l'avant pour la faire reposer sur l'habillage de la tarière. Démontez le couvre-châssis du dessous de la souffléuse en retirant les quatre vis auto-taraudeuses qui le maintiennent en place. Voir la Figure 6-5.
3. Dégagez la courroie de la tarière de la poulie motrice. Voir la Figure 6-6.
4. a. Desserrez et retirez la vis à épaulement qui sert de guide-courroie. Voir la Figure 6-7.
b. Décrochez le ressort du support du châssis.
5. Dégagez la courroie de la poulie de la tarière et faites glisser la courroie en le support et la poulie de la tarière. Remontez la courroie de la tarière en procédant dans l'ordre inverse. Voir la Figure 6-8.

REMARQUE: Effectuez à nouveau le «Test de la commande des tarières» à la page 11 avant d'utiliser la souffléuse.

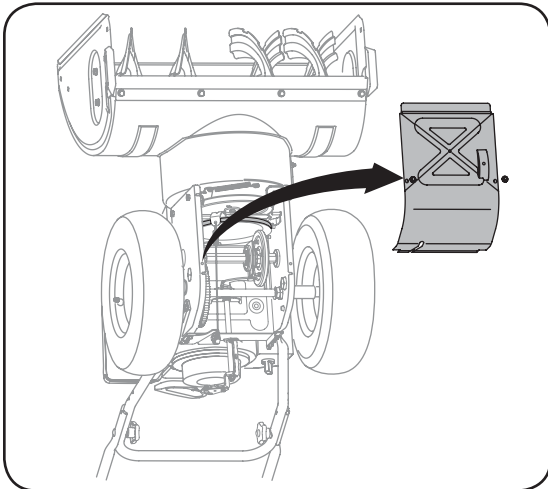


Figure 6-5

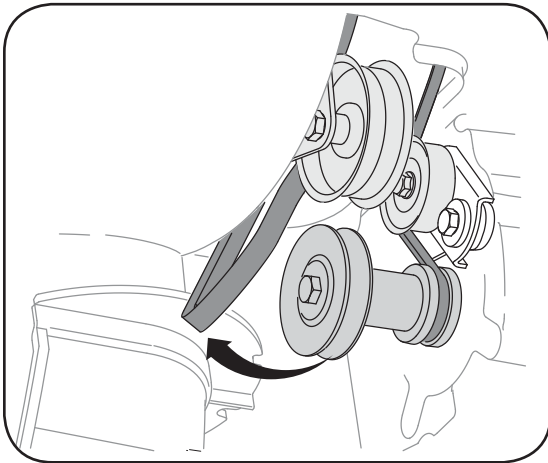


Figure 6-6

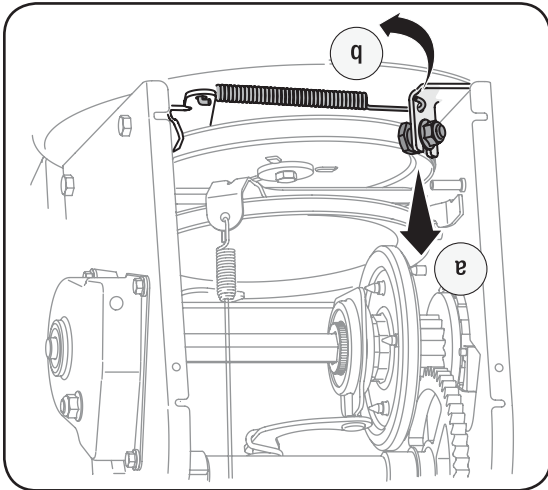


Figure 6-7

REMARQUE : N'oubliez PAS de réinstaller la vis à épaulement et de raccrocher le ressort sur le châssis après avoir installé la courroie de la tarière neuve.

6 Régime d'entretien



REMARQUE : Les huiles multigrades (5W30, 10W30, etc.) améliorent le démarrage par temps froid, mais la consommation d'huile est plus importante si elles sont utilisées à une température supérieure à 32°F. Vérifiez le niveau d'huile plus souvent pour éviter d'endommager le moteur en cas d'insuffisance d'huile.

REMARQUE : Ne nettoyez pas la bougie au jet de sable. Utilisez une brosse métallique et un solvant commercial.

IMPORTANT

Ne remplacez jamais les boulons de cisaillement avec des boulons ordinaires. Aucun dommage à l'ensemble de la vis sans fin ou à d'autres composants par utiliser des boulons ordinaires ne sera couvert par la garantie de votre souffléuse.



Débrayez toutes les commandes et arrêtez le moteur avant de lubrifier, de réparer ou d'inspecter la souffluse. Attendez que toutes les pièces se soient immobilisées.



Évitez de répandre de la graisse ou de l'huile sur la roue de frottement en caoutchouc et sur la plaque d'entraînement en aluminium.

Moteur

Consultez la notice d'utilisation du moteur fournie avec la souffluse quant aux instructions d'entretien du moteur.

Lubrification

Moteur

Consultez la notice d'utilisation du moteur, fournie avec la souffluse.

Arbre de transmission

Lubrifiez l'arbre de transmission (hex.) au moins une fois par saison ou toutes les 25 heures d'utilisation. Basculez doucement la souffluse vers l'avant pour la faire reposer sur l'habitacle de la tarière.

2. Enlevez le couvre-châssis en enlevant les deux vis auto-taraudeuses qui le maintient.
3. Appliquez une légère couche d'huile polyvalente toutes saisons sur l'arbre hex. Voir la Figure 6-1.

REMARQUE: Évitez de renverser de l'huile sur la roue de frottement en caoutchouc ou sur la plaque d'entraînement en aluminium.

Roues

Huilez ou vaporisez du lubrifiant sur les roulements des roues au moins une fois par saison. Démontez les roues, nettoyez et enduisez les essieux d'une graisse automobile à usages multiples.

Commande de direction de la goulotte

Le levier de commande doit être lubrifié avec de la vaseline, de l'huile de lin, de l'huile minérale, de la paraffine ou de l'huile «3 in 1» une fois par saison.

Arbre de la tarière

Enlevez les goupilles de cisaillement sur l'arbre de la tarière, au moins une fois par saison. Vaporisez un lubrifiant à l'arrière de l'arbre et autour des entretôises. Lubrifiez aussi les roulements à bride trouvés à chaque extrémité de l'arbre de la tarière. Voir la Figure 6-2.

Tarières

- Deux goupilles de cisaillement et goupille fendue maintiennent les tarières sur l'arbre de la tarière. Les goupilles sont sensées de peut être cisailier si la souffluse heurte un objet ou un bloc de glace. Voir la Figure 6-2.
- Si les tarières ne tournent pas, vérifiez si les goupilles se sont cisailées. Remplacez les goupilles si besoin est. Deux goupilles de cisaillement et deux goupille fendues de rechange sont fournis. Vaporisez un lubrifiant à base d'huile sur l'arbre avant d'installer les goupilles neuves.

Lame plate et patins

La lame plate et les patins sont installés sous la souffluse et ils risquent de s'user. Vérifiez-les régulièrement et remplacez-les au besoin.

Pour retirer les patins:

Moteur

Consultez la notice d'utilisation du moteur fournie avec la souffluse quant aux instructions d'entretien du

Lubrification

Moteur

Consultez la notice d'utilisation du moteur, fournie avec la souffluse.

Arbre de transmission

Lubrifiez l'arbre de transmission (hex.) au moins une fois par saison ou toutes les 25 heures d'utilisation. Basculez doucement la souffluse vers l'avant pour la faire reposer sur l'habitacle de la tarière.

2. Enlevez le couvre-châssis en enlevant les deux vis auto-taraudeuses qui le maintient.
3. Appliquez une légère couche d'huile polyvalente toutes saisons sur l'arbre hex. Voir la Figure 6-1.

REMARQUE: Évitez de renverser de l'huile sur la roue de frottement en caoutchouc ou sur la plaque d'entraînement en aluminium.

Roues

Huilez ou vaporisez du lubrifiant sur les roulements des roues au moins une fois par saison. Démontez les roues, nettoyez et enduisez les essieux d'une graisse automobile à usages multiples.

Commande de direction de la goulotte

Le levier de commande doit être lubrifié avec de la vaseline, de l'huile de lin, de l'huile minérale, de la paraffine ou de l'huile «3 in 1» une fois par saison.

Arbre de la tarière

Enlevez les goupilles de cisaillement sur l'arbre de la tarière, au moins une fois par saison. Vaporisez un lubrifiant à l'arrière de l'arbre et autour des entretôises. Lubrifiez aussi les roulements à bride trouvés à chaque extrémité de l'arbre de la tarière. Voir la Figure 6-2.

Tarières

- Deux goupilles de cisaillement et goupille fendue maintiennent les tarières sur l'arbre de la tarière. Les goupilles sont sensées de peut être cisailier si la souffluse heurte un objet ou un bloc de glace. Voir la Figure 6-2.
- Si les tarières ne tournent pas, vérifiez si les goupilles se sont cisailées. Remplacez les goupilles si besoin est. Deux goupilles de cisaillement et deux goupille fendues de rechange sont fournis. Vaporisez un lubrifiant à base d'huile sur l'arbre avant d'installer les goupilles neuves.

Lame plate et patins

La lame plate et les patins sont installés sous la souffluse et ils risquent de s'user. Vérifiez-les régulièrement et remplacez-les au besoin.

Pour retirer les patins:



AVERTISSEMENT: Laissez tourner le moteur jusqu'à ce qu'il tombe en panne d'essence avant de faire basculer la souffluse.

Remplacement de la courroie de la tarière

1. Enlevez les quatre boulons ordinaires et les contre-écrous à embase qui la maintiennent ainsi que les patins sur la souffluse.
 2. Remontez les nouveaux patins avec les boulons ordinaires (deux sur chaque côté) et les contre-écrous à embase. Voir la Figure 6-3.
- Pour démonter la lame plate:
1. Enlevez les boulons ordinaires et le contre-écrou à embase qui la maintiennent ainsi que les patins sur la souffluse.
 2. Installez la lame plate neuve en vérifiant que la tête des boulons ordinaires se trouve à l'intérieur de l'habitacle. Serrez à fond.

Figure 6-2

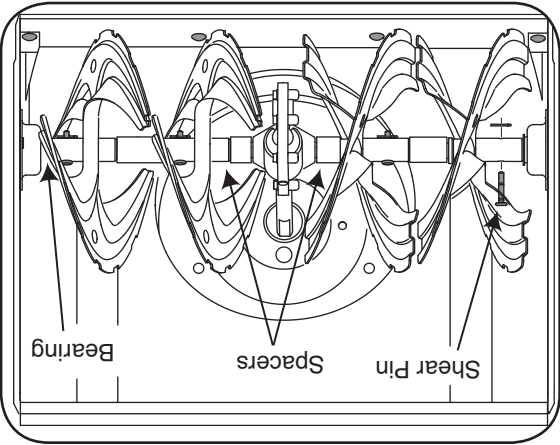
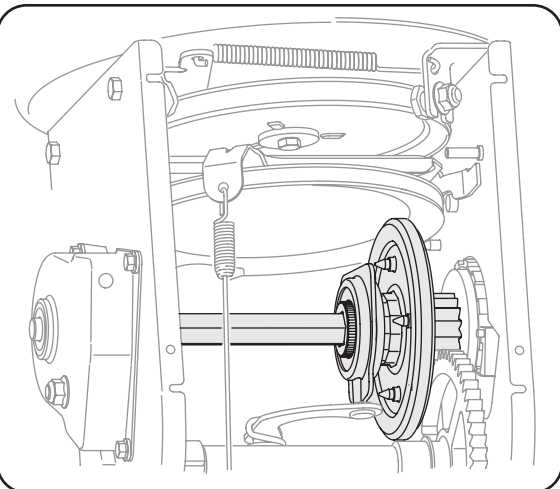


Figure 6-1



AVERTISSEMENT

Réglages

5

Il est déconseillé d'utiliser la souffluse sur une surface recouverte de gravier qui, s'il est projeté par la tarière, peut causer des blessures corporelles et des dégâts matériels.

Si pour une raison quelconque, vous devez utiliser la souffluse sur une surface recouverte de gravier, réglez les patins à la plus haute pour assurer un dégagement maximal entre le sol et la lame plate.

Figure 5-4 - Patin ordinaire

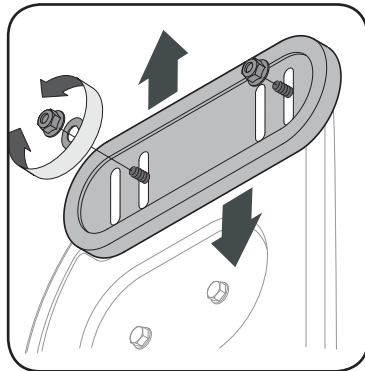


Figure 5-5-Patins réversibles en acier

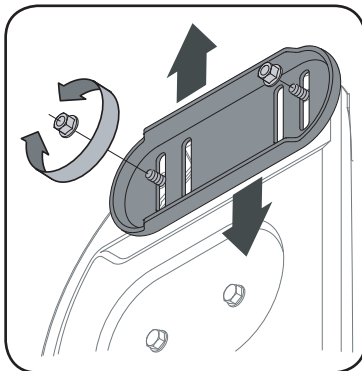
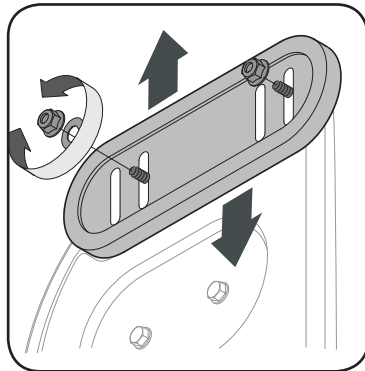


Figure 5-6-Patins réversibles en plastique



AVERTISSEMENT: Laissez tourner le moteur jusqu'à ce qu'il tombe en panne souffluse.



Pour pouvez aussi vérifier l'ajustement de la façon suivante:

1. Basculez la souffluse vers l'avant puis démontez le couvre-châssis du dessous de la souffluse en retirant les vis auto-taraudeuses. Voir la Figure 6-5 à la page 17.
2. Lâchez la commande de transmission et vérifiez qu'il y a un espace de 1/8" de po entre la roue de frotement et la poulie de transmission, quelle que soit la position du levier de vitesses.
3. Embrayez la commande et assurez-vous que la roue de frotement est en contact avec la poulie motrice. Voir la Figure 6-8.
4. Si un réglage est nécessaire, desserrez l'écrou à six pans inférieur sur le support indexé du câble de transmission et relevez (ou abaissez) le support selon le besoin. Voir la Figure 5-3. Serrez l'écrou à six pans inférieur pour maintenir le support à la position correcte.
5. Remplacez le couvre-châssis et redressez la souffluse à la position de fonctionnement.

Patins

L'espace entre la lame plate et le sol peut être ajusté en ajustant les patins.

- Pour déblayer complètement la neige, placez les patins à la position plus haute sur l'habitacle.
- Utilisez les positions intermédiaire ou basse lorsque la surface à déblayer est irrégulière.

Pour ajuster les patins :

1. Ajustez les patins en desserrant les quatre contre-écrous à embase (deux de chaque côté) et les boulons ordinaires. Placez les patins à la position voulue.
2. Vérifiez que toute la surface inférieure des patins est de niveau et en contact avec le sol pour éviter leur usure inégale.
3. Serrez les boulons et les écrous à fond.

Commande de la tarière

REMARQUE: Certains modèles sont équipés de patins ultra-robustes qui peuvent être retournés pour accroître leur durée de vie. Voir les Figure 5-6 et 5-7.

Reportez-vous au test de la commande de la tarière, page 11, pour ajuster la tarière.

Câble de changement de vitesses

- Si vous ne pouvez utiliser toute la gamme des vitesses (avant et arrière), consultez les illustrations sur la droite et effectuez les réglages suivants :
1. Placez le levier de vitesses à la position de la marche avant la plus **rapide**.
 2. Desserrez l'écrou à six pans sur le support indexé du câble de changement de vitesses. Voir la Figure 5-1.
 3. Abaissez le support vers le bas pour éliminer tout jeu dans le câble.
 4. Resserrez l'écrou à six pans.
 5. Vérifiez les réglages avant d'utiliser la souffreuse.

Commande de la goulotte

- Vérifiez que les câbles ne se sont pas détendus une fois par saison ou toutes les 25 heures de fonctionnement, selon ce qui survient d'abord. Si la goulotte ne tourne pas complètement il faudra ajuster les quatre câbles de commande de la goulotte.
1. Pour faire l'ajustement, procédez comme suit :
Pour serrer le câble, desserrez l'écrou supérieur et serrez l'écrou inférieur sur le câble.
 2. Ajustez également des deux côtés en réglant les deux câbles de chaque pair. Voir la Figure 5-2.

Commande de la transmission et levier de vitesses

- Le câble doit présenter très peu de jeu quand la commande de la transmission est débrayée et en position «relève». Le câble ne doit PAS être tendu.
- Vérifiez l'ajustement de la commande de la transmission comme suit :
1. La commande de transmission débrayée, poussez la souffreuse, puis tirez-la. La machine doit bouger facilement.
 2. Embrayez la commande de traction et essayez de déplacer la souffreuse vers l'avant. Vous devez sentir une résistance. Les roues ne doivent pas tourner. La machine doit PAS bouger facilement.

3. Débrayez la commande de la transmission, déplacez plusieurs fois le levier de vitesses d'avant en arrière entre les positions R2 et F6. Vous ne devez sentir aucune résistance dans le levier de vitesses.
4. Si l'un des tests ci-dessus échoue, ajustez le câble de la transmission. Continuez comme suit :
5. Desserrez le contre-écrou à six pans inférieur sur le support du câble de la transmission. Voir la Figure 5-3.
6. Redressez le support vers le haut pour obtenir plus de jeu (ou vers le bas pour augmenter la tension du câble.)
7. Resserrez le contre-écrou à six pans inférieur.

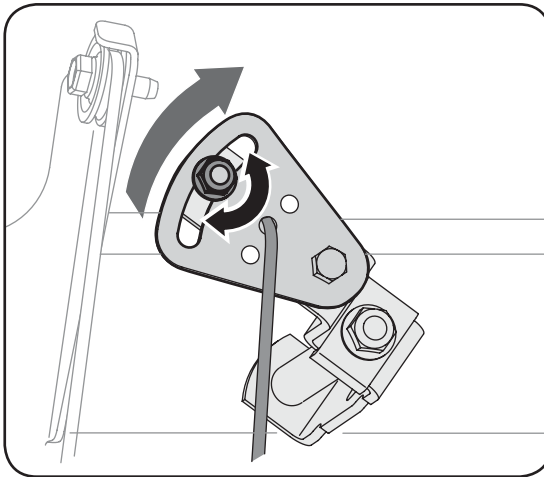


Figure 5-1

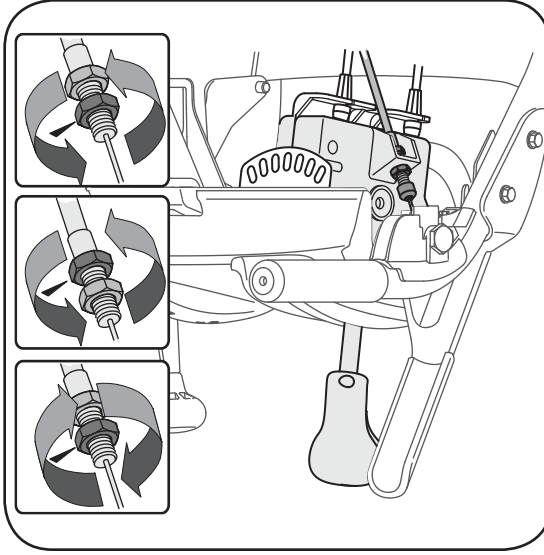


Figure 5-2

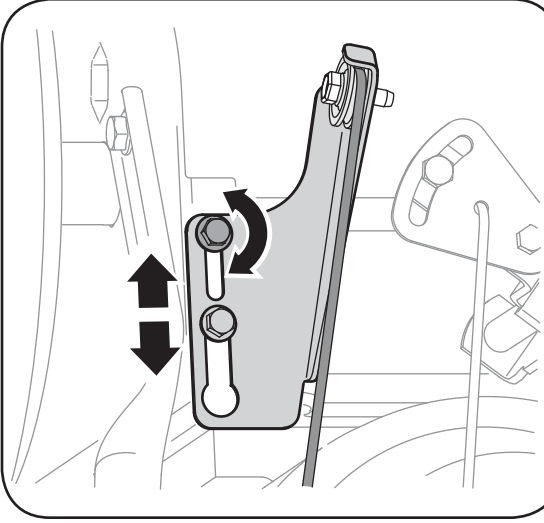


Figure 5-3

AVERTISSEMENT



Réglages

5

Lisez, comprenez, et suivez toutes les instructions et les consignes sur la machine et dans ce notice avant le fonctionnement.

N'essayez jamais d'effectuer un réglage quelconque pendant que le moteur tourne, sauf en cas d'instructions spéciales dans la notice d'utilisation.

Arrêt du moteur



AVERTISSEMENT : Pour éviter toute utilisation non surveillée, ne laissez jamais le moteur sans surveillance quand il tourne. Arrêtez-le après l'emploi et retirez la clé.

Laissez le moteur tourner pendant quelques minutes avant de l'arrêter pour éliminer toute humidité accumulée sur le moteur.

1. Déplacez la commande de l'obturateur à la position STOP.

2. Retirez la clé de contact. Le fait de retirer la clé élimine le risque d'un démarrage non autorisé quand l'équipement n'est pas utilisé. Rangez la clé dans un lieu sûr. Le moteur ne peut pas démarrer sans la clé.

3. Essayez toute condensation sur les commandes du moteur.

4. Enlevez toute la neige et l'humidité du couvercle du carburateur et près des manettes de commande. Déplacez celle-ci plusieurs fois.

Pour embayer la transmission

1. Avec l'obturateur à la position Fast (lapin), placez le levier de changement de vitesse à l'une des six positions de marche avant (F) ou à l'une des deux positions de marche arrière (R). Choisissez la vitesse adaptée aux conditions présentes.

2. Pressez la commande de la transmission contre le guidon droite pour avancer la souffluse; lâchez-la pour arrêter.

Pour embayer les tarières

1. Pour embayer les tarières et pour commencer à projeter la neige, pressez la poignée d'embrayage gauche de la tarière contre le guidon gauche. Lâchez la poignée pour arrêter les tarières.

2. Alors que la commande de la tarière est embrayée, pressez la commande de la transmission pour avancer. Lâchez-la pour arrêter. Ne changez pas de vitesse quand la commande de la transmission est embrayée.

neige.

3. Débrayez la commande de la tarière ; le mécanisme de blocage maintient la tarière engagée jusqu'à ce que la commande de la transmission soit débrayée.
4. Lâchez la commande de la transmission pour arrêter la tarière et les roues. Pour arrêter la tarière les deux poignées doivent être débrayées.

Test de la commande de la tarière

Faites ce test avant d'utiliser la souffluse pour la première fois et au début de chaque saison d'hiver. Vérifiez le réglage de cette commande de la façon suivante :

1. Débrayez la commande et placez-la en position «relevée». Le câble doit présenter très peu de jeu SANS toutefois être tendu.

2. Choisissez un endroit bien aéré et faites démarrer la souffluse selon les instructions dans le paragraphe «pour faire démarrer le moteur». Vérifiez que l'obturateur est réglé à la position rapide.

3. Tenez-vous à la position de conduite (derrière la souffluse) et enclenchez la tarière.
4. Attendez environ dix secondes avant de débrayer la tarière. Répétez cette opération plusieurs fois.

5. Avec la manette de commande de la tarière à la position débrayée et « relevée », placez-vous devant la machine.

6. Vérifiez que la tarière est totalement immobilisée et qu'aucune pièce ne bouge. Si la tarière n'est pas complètement immobile, retournez immédiatement à la position de conduite et arrêtez le moteur. Attendez que **TOUTES** les pièces se soient immobilisées avant d'ajuster à nouveau le câble de la tarière.

7. Pour ajuster à nouveau le câble de commande, desserrez le contre-écrou à six pans supérieur du support de la commande de la tarière. Voir la Figure 4-2.

8. Redressez le support vers le haut pour obtenir plus de jeu (ou vers le bas pour augmenter la tension).
9. Resserrez ensuite le contre-écrou à six pans supérieur.

10. Répétez le test pour vérifier l'ajustement de la commande de la tarière.

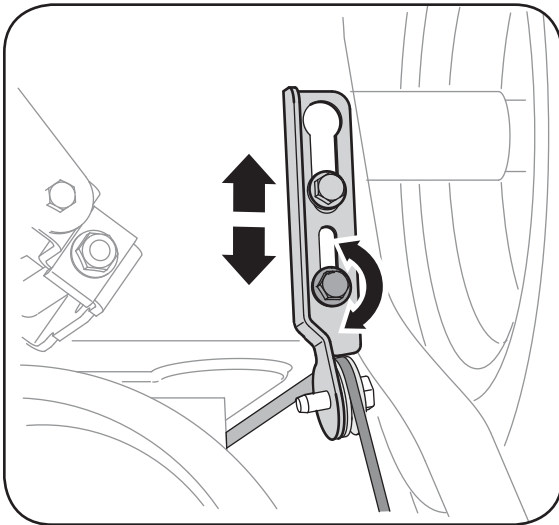


Figure 4-2

Utilisez une vitesse lente jusqu'à ce que vous soyez habitué.

Ne déplacez JAMAIS le levier de vitesses

(pour changer de vitesse ou de sens de déplacement) sans avoir au préalable débrayé la commande de la transmission et

avoir complètement arrêté la souffluse.

Ceci pourrait causer l'usure prématurée de la transmission de la souffluse.



La température du silencieux et des zones voisines peut dépasser 150°F (65°C). Évitez de les toucher.

AVERTISSEMENT



6. Appuyez sur l'amorçeur de trois à cinq fois en faisant attention de bien couvrir le trou d'aération. Si le moteur est chaud, appuyez seulement une fois sur l'amorçeur. Recouvrez toujours le trou d'aération. Par temps froid, il peut être nécessaire d'amorcer plusieurs fois.
 7. Enfoncez le bouton du démarreur pour faire démarrer le moteur. Lâchez le bouton dès que le moteur tourne. Le démarreur électrique est équipé d'un dispositif de protection en cas de surcharge thermique. Le système sera provisoirement arrêté pour permettre au démarreur de refroidir en cas de surcharge.
 8. Au fur et à mesure que le moteur chauffe, tournez lentement la commande du volet de départ vers la position OFF. Si le moteur cale, remettez-le en marche et laissez-le tourner brièvement avec le volet de départ à la position intermédiaire. Déplacez ensuite la commande lentement vers la position OFF.
 9. Quand le moteur tourne régulièrement, débranchez la rallonge du démarreur électrique. Débranchez toujours la rallonge de la prise murale avant de la débrancher du démarreur même.
- Moteurs à démarreur (démarreur non électrique)**
- IMPORTANT :** Ne tirez pas sur la poignée du démarreur quand le moteur tourne.
1. Placez la clé de contact dans la fente. Vérifiez qu'elle pas démarrer tant que la clé n'est pas bien enfoncée dans le commutateur d'allumage.
 2. Placez la commande de l'obturateur à la position Rapide (Lapin).
 3. Placez le volet de départ à la position ON (démarriage d'un moteur froid). Si le moteur est chaud, placez le volet de départ à la position OFF.
 4. Appuyez sur l'amorçeur de trois à cinq fois en faisant attention de bien couvrir le trou d'aération. Si le moteur est chaud, appuyez seulement une fois sur l'amorçeur. Recouvrez toujours le trou d'aération. Par temps froid, il peut être nécessaire d'amorcer plusieurs fois.
 5. Tirez doucement sur la poignée du démarreur jusqu'à ce que vous sentiez une légère résistance, puis tirez rapidement et fermement pour « surmonter » la compression. Ne lâchez pas la poignée pour qu'elle ne frappe pas le moteur. Laissez la poignée revenir LENTEMENT à sa position initiale. Au besoin, répétez l'opération.
 6. Au fur et à mesure que le moteur chauffe, tournez lentement la commande du volet de départ vers la position OFF. Si le moteur cale, remettez-le en marche et laissez-le tourner brièvement avec le volet de départ à la position intermédiaire. Déplacez ensuite la commande lentement vers la position OFF.

Pleins d'essence et d'huile

Vérifiez le niveau d'huile et d'essence et ajouter au besoin. Suivez les instructions fournies dans la notice d'utilisation du moteur qui accompagne la souffeuse. Veuillez lire ces instructions attentivement.

Mise en marche du moteur

AVERTISSEMENT : N'approchez jamais les mains et les pieds des pièces en mouvement. N'utilisez pas de liquide d'allumage sous pression.

Les vapeurs sont inflammables.

REMARQUE : Laissez le moteur chauffer pendant quelques minutes après le démarrage. Le moteur n'atteint sa puissance maximale qu'à partir de certaines températures.

Moteurs équipés d'un démarreur électrique

AVERTISSEMENT : Le démarreur électrique est équipé d'un cordon à 3 fils mis à la masse et d'une fiche à brancher dans une prise de C. A. normale de 120 volts. Il doit toujours être branché dans une prise à 3 fiches mise à la masse et éviter tout risque de décharge électrique. Suivez attentivement toutes les instructions avant d'utiliser le démarreur électrique.

AVERTISSEMENT : N'utilisez pas le démarreur par temps de pluie.

1. Vérifiez que l'installation électrique de votre domicile comprend un système à 3 fils mis à la masse. Faites appel à un électricien licencié en cas de doute. Procédez comme suit si vous disposez d'une prise à 3 fiches mise à la masse. N'utilisez PAS le démarreur si le système ne convient pas.
2. Placez la clé de contact dans la fente. Vérifiez qu'elle s'emboîte bien. NE la tournez PAS. Le moteur ne peut pas démarrer tant que la clé n'est pas bien enfoncée dans le commutateur d'allumage.
3. Branchez la rallonge dans la boîte de commutation électrique sur le moteur. Branchez l'autre extrémité de la rallonge dans une prise de C. A. de 120 volts mise à la masse dans un endroit bien aéré.
4. Placez la commande de l'obturateur à la position Rapide (Lapin).
5. Placez le volet de départ à la position ON (démarriage d'un moteur froid). Si le moteur est chaud, placez le volet de départ à la position OFF.

AVERTISSEMENT



Lisez, comprenez, et suivez toutes les instructions et les consignes sur la machine et dans ce notice avant le fonctionnement. Faites très attention en manipulant de l'essence. L'essence est extrêmement inflammable et les vapeurs sont explosif. Ne faites *jamais* le plein d'essence à l'intérieur, pendant que le moteur tourne ou quand le moteur est chaud. Éteignez toute cigarettes ou pipe, tout cigare ou toute autre source incandescente. Si le câblage de votre maison n'est pas un système à trois fils reliés à la terre, n'utilisez en aucun cas ce démarreur électrique. Si votre système est relié à la terre, mais s'il n'y a pas de prise à trois trous à l'endroit où le démarreur doit normalement être utilisé, n'utilisez en aucun cas ce démarreur électrique.

Assurez-vous que personne ne se tient à proximité de la souffluse lors du démarrage ou pendant son utilisation. Ne faites jamais tourner le moteur à l'intérieur ou dans un local clos ou mal ventilé. Les gaz d'échappement du moteur contiennent du monoxyde de carbone, un gaz inodore mortel. Éloignez toujours vos mains, pieds, cheveux et vêtements non ajustés de toutes les pièces en mouvement du moteur et de la souffluse.

Toute souffluse en cours de fonctionnement peut projeter un objet vers les yeux, d'où le risque de blessures graves. Portez toujours des lunettes de sécurité en travaillant avec une souffluse et en effectuant toute réparation ou tout ajustement sur la souffluse.

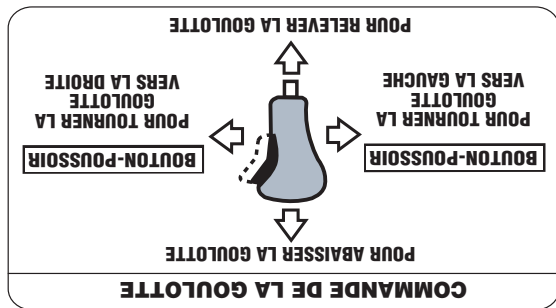
AVERTISSEMENT



Utilisation de la souffluse



Patins
Positionnez les patins en fonction de la surface de travail. Redressez-les si la neige est tassée et abaissez-les pour travailler sur des surfaces recouvertes de gravier ou de pierre concassée. Consultez le chapitre « Réglages ».



Commande d'orientation des roues
Les commandes d'orientation des roues de droite et de gauche se trouvent en dessous des poignées. Serrez la commande de droite pour tourner vers la droite ou serrez celle de gauche pour tourner vers la gauche.

REMARQUE: Utilisez la souffluse dans des espaces dégagés jusqu'à ce que vous soyez plus habitué aux commandes.

Outil de dégagement de la goulotte

Cet outil est maintenu sur l'arrière de l'habitacle de la tarière par une attache. Servez-vous de cet outil pour éliminer les accumulations de neige et de glace dans la goulotte, procédez comme suit pour nettoyer la goulotte et l'ouverture de la goulotte:

1. Débrayez la manette de commande de la tarière et la manette de blocage de la traction/tarière.
2. Arrêtez le moteur en déplaçant l'interrupteur à bascule à la position « Off ». Enlevez la clé de sécurité.
3. Détachez l'outil de dégagement de la goulotte de sa position sur l'arrière de l'habitacle de la tarière.
4. Utilisez l'extrémité en forme de pelle pour déloger et retirer la neige ou la glace qui s'est accumulée dans la goulotte.
5. Remplacez l'outil de dégagement sur l'attache à l'arrière de l'habitacle de la tarière. Remettez la clé de contact et faites démarrer la souffluse.
6. Tenez-vous au poste de conduite (derrière la souffluse) et embraquez la commande de la tarière pendant quelques secondes pour dégager tout reste de neige ou de glace de la goulotte d'éjection.

AVERTISSEMENT: Ne dégagez jamais la neige ou la glace près de la tarière ou dans la goulotte à la main.

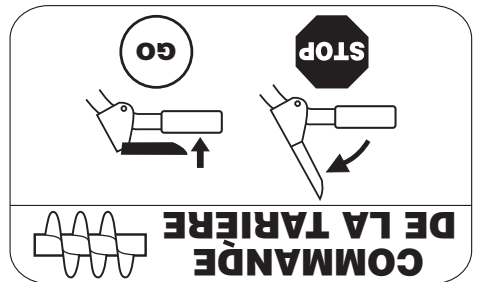


Phare

Le phare s'allume quand le moteur tourne.

Blocage de la commande de transmission/des tarières (le cas échéant)

Elle se trouve sur le guidon gauche. Serrez la commande de la tarière contre le guidon pour embrayer la tarière et pour débloquer la neige. Lâchez-la pour arrêter.



Commande de la tarière



COMMANDE DE LA TRANSMISSION

Tarières
Lorsque les tarières sont embrayées, elles tournent et dirigent la neige vers l'habitacle.
Commande de la goulotte à 4 fonctions
La commande d'orientation de la goulotte se trouve sur la gauche du tableau de bord.
• Pour modifier l'orientation de la projection de la neige, appuyez sur le bouton du levier de commande et tournez le levier vers la droite ou vers la gauche.
• Pour modifier l'angle/la distance de projection de la neige, poussez le levier de commande vers l'avant ou tirez-le vers l'arrière. Pour tourner la souffluse vers la droite ou vers la gauche, pressez sur la commande correspondante de la direction des roues.

Elle se trouve sur la droite du guidon. Serrez la manette de commande contre le guidon pour embrayer les roues. Lâchez-la pour les arrêter.
La commande de la transmission permet aussi de bloquer les tarières pour que le conducteur puisse changer l'orientation de la goulotte sans interrompre la projection de la neige. Si la commande des tarières est embrayée en même temps que la commande de la transmission, le conducteur peut lâcher la commande des tarières (sur la gauche). Les tarières continueront à fonctionner. Quand le conducteur lâche les deux commandes, les tarières et les roues s'arrêtent.
IMPORTANT: Lâchez toujours la commande de la transmission avant de changer de vitesse.

Commandes de la souffeuse

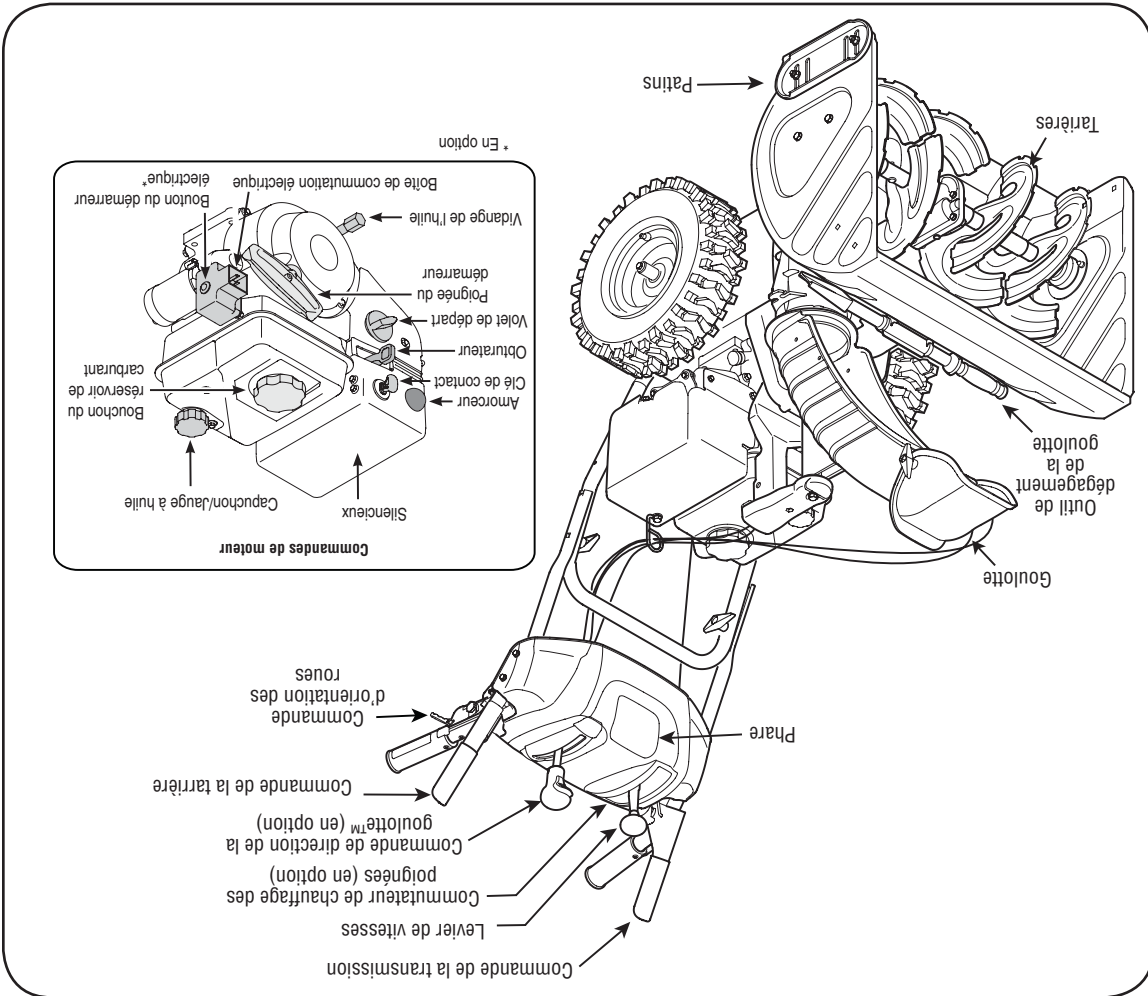


Figure 4-1

Volet de départ

Le bouton du volet de départ ferme la plaque sur le carburateur et facilite le démarrage du moteur.

Amorçeur

L'enfoncement du bouton d'amorçage force le carburant directement dans le carburateur du moteur pour aider à faire démarrer le moteur en temps froid.

Plein d'huile

Il est possible de vérifier le niveau d'huile à moteur et de faire le plein par le goulot de remplissage.

Cle de contact

La cle de contact est en fait un dispositif de sécurité. Insérez la cle sans la tourner. Sortez la cle à mi-distance pour arrêter le moteur. Retirez la cle quand la machine n'est pas utilisée.

Maintenant que votre souffeuse est prête à travailler, il est temps de vous familiariser avec ses commandes et diverses caractéristiques, expliquées ci-dessous et représentées à la Figure 4-1. Vous pourrez ainsi bénéficier au maximum de votre nouvelle machine.

REMARQUE: Consultez la notice d'utilisation du moteur emballée séparément avec votre souffeuse pour avoir plus de renseignements concernant le démarrage et les commandes du moteur.

Levier de vitesses

Il se trouve au milieu du tableau de bord et sert à choisir la vitesse et la direction de déplacement.

Marche avant

La souffeuse a six marches avant (F). La position 1 est la plus lente et la position 6 la plus rapide.

Marche arrière

La souffeuse a deux marches arrière (R2), R1 étant la plus lente des deux, et deux est la plus rapide.

AVERTISSEMENT



Utilisation de la souffeuse



Faites très attention en manipulant de l'essence. L'essence est extrêmement inflammable et les vapeurs sont explosifs. Ne faites *jamais* le plein d'essence à l'intérieur, pendant que le moteur tourne ou quand le moteur est chaud. Éteignez toute cigarette ou pipe, tout cigare ou toute autre source incandescente.

Positionnez les patins en fonction de la surface de travail. Redressez-les si la neige est tassée et abaissez-les pour travailler sur des surfaces recouvertes de gravier ou de pierre concassée. Consultez le chapitre « Réglages ».

Patins

La borne sur l'attache qui maintient le faisceau de câbles du guidon inférieur doit être enfoncée dans le trou du guidon inférieur. Faites passer la partie détendue du faisceau de câbles dans l'attache pour éviter toute interférence avec la poignée du démarreur à l'ancrage. Voir la Figure 3-7.

(le cas échéant)

Faisceau de câblage du phare

AVERTISSEMENT: Ne dégagez jamais la neige ou la glace près de la tarière ou dans la goulotte à la main.



REMARQUE: Cette pièce est à été fixée avec un faisceau de câbles sur l'arrière de l'habitacle de la tarière à l'usine. Coupez l'attache-câble avant de mettre la souffreuse en marche.

REMARQUE: Cette pièce est à été fixée avec un faisceau de câbles sur l'arrière de l'habitacle de la tarière à l'usine. Coupez l'attache-câble avant de mettre la souffreuse en marche.

Un outil de dégagement de la goulotte est maintenu sur le dessus de l'habitacle de la tarière avec une attache. L'outil sert à dégager une goulotte bouchée. Consultez la page 9 pour plus de renseignements concernant cet outil.

Outil de dégagement de la goulotte

Si votre souffreuse n'est pas équipée de barres de coupe, adressez-vous au service après-vente pour tout renseignement concernant le prix et la disponibilité en stock.

Positionnez les barres de coupe pour qu'elles soient face à l'avant comme illustré à la Figure 3-6. Maintenez-les en place avec la boulonnerie enlevée précédemment, les écrous à oreilles devraient être attachés sur l'extérieur du logement comme illustré.

- Enlevez les boulons ordinaires en dévissant les écrous à oreilles qui maintiennent les barres de coupe en place.
- Sur les modèles si équipés, les barres de coupe et la boulonnerie sont assemblées à l'envers sur l'habitacle des tarières.

Barres de coupe (le cas échéant)

Une petite case est prévue sous le tableau de bord en plastique pour remettre la goulotte de cisaillement.

Remisage de la goulotte de cisaillement (en option)

AVERTISSEMENT: Avant d'utiliser votre souffreuse, référez-vous à « Test de la commande de la tarière » à la page 11. Lisez et suivez soigneusement les instructions et effectuez tous les ajustements pour vérifier que votre souffreuse.

REMARQUE: Si la pression n'est pas égale dans les deux pneus, la machine risque de tirer d'un côté plus que de l'autre et la plaque de raclage risque de s'user de façon inégale.

Les pneus sont gonflés excessivement pour l'expédition. Avant l'utilisation, vérifiez la pression des pneus avant d'utiliser la souffreuse. La pression recommandée par le fabricant est indiquée sur le flanc des pneus et réduisez (ou augmentez) la pression dans les pneus selon le besoin.

Pression des pneus

Figure 3-7

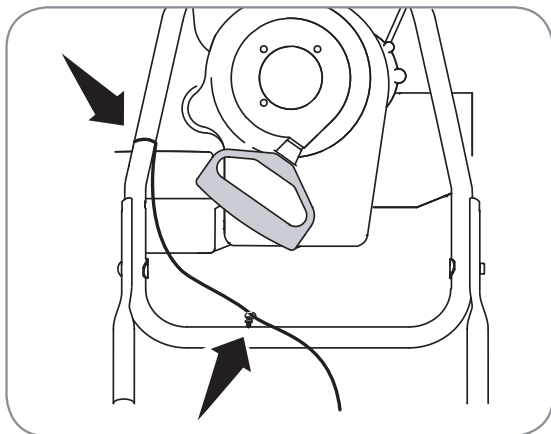
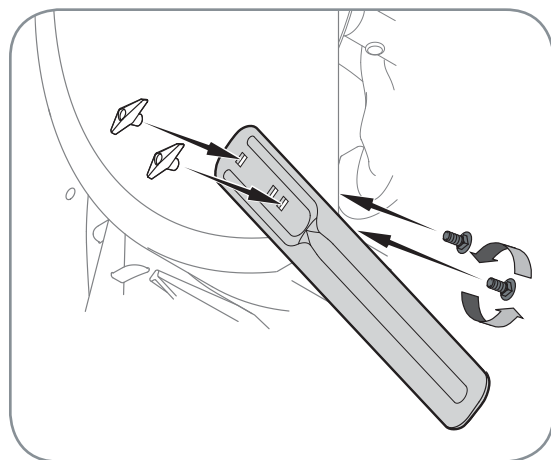


Figure 3-6



Avant d'utiliser votre souffreuse, référez-vous à « Test de la commande de la tarière » à la page 11. Lisez et suivez soigneusement les instructions et effectuez tous les ajustements pour vérifier que votre souffreuse fonctionne sans risque et correctement.

IMPORTANT

AVERTISSEMENT



Instructions de montage

3

Instructions de montage

3



REMARQUE: Les côtés droit et gauche de la souffeuse sont déterminés du poste de conduite, derrière la souffeuse.

REMARQUE: Cette notice d'utilisation couvre plusieurs modèles. Les traits du souffeuse varient par le modèle. Pas toutes les traits discutées dans ce notice sont applicables à tous les modèles de souffeuse.

REMARQUE: Deux goupilles de cisaillement de rechange sont fournies avec la notice d'utilisation (ou dans le panneau en plastique du guidon). Consultez le chapitre «Tarifs dans la section «Entretien» de cette notice d'utilisation à propos de remplacement des goupilles de cisaillement.

REMARQUE: La souffeuse a été expédiée avec le plein d'huile mais SANS ESSENCE. Après l'assemblage veuillez consulter la notice d'utilisation du moteur quant au carburant et à l'huile à moteur à employer.

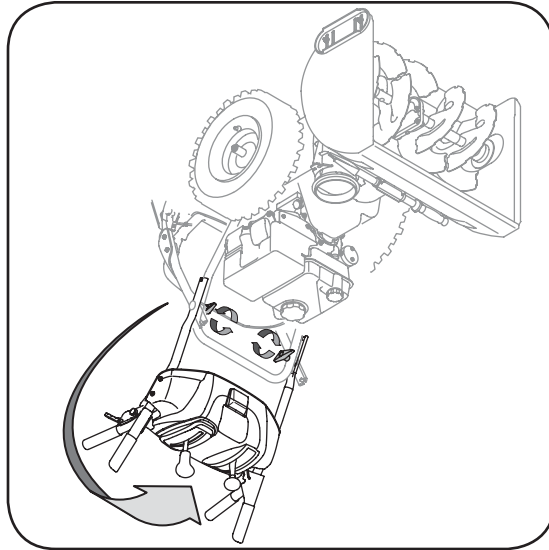


Figure 3-1

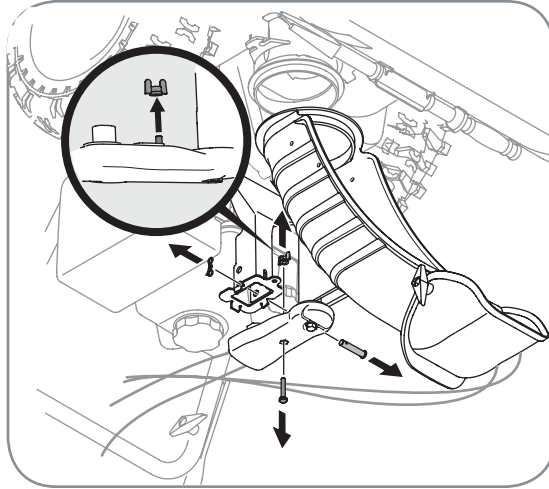


Figure 3-2

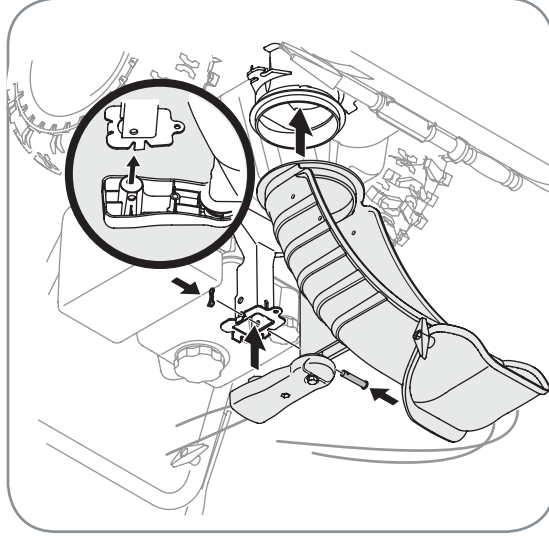


Figure 3-3

1. Assurez-vous que les deux câbles, sur la partie inférieure de la souffeuse, sont bien alignés avec les rouleaux de guidage.

a. Redressez le guidon supérieur comme à la Figure 3-1. Alignez le guidon supérieur avec le guidon inférieur.
 b. Serrez les boutons qui maintiennent le guidon supérieur sur le guidon inférieur.

2. Retirez l'écrou à oreilles et la vis hex. qui se trouvent sur la commande de la goupille ainsi que la goupille fendue et l'axe de chape sur le support de la goupille. Voir la Figure 3-2. Positionnez la goupille (tournez vers l'avant) sur sa base.
 3. Placez la goupille sur sa base et attachez-la sur son support en utilisant l'axe de chape et la goupille fendue enlevés plus tôt. Voir la Figure 3-3.

4. Continuez l'installation de la goupille sur son support avec l'écrou à oreilles et la vis hex. retirés plus tôt. Voir la Figure 3-4.

5. Vérifiez que tous les câbles sont acheminés dans le guide sur le dessus du moteur. Voir la Figure 3-5. Pour l'expédition, le fil électrique est maintenu sur l'arrière de l'habitacle de la tarière avec un attache-câble. Coupez l'attache-câble et jetez-le avant d'utiliser la souffeuse.

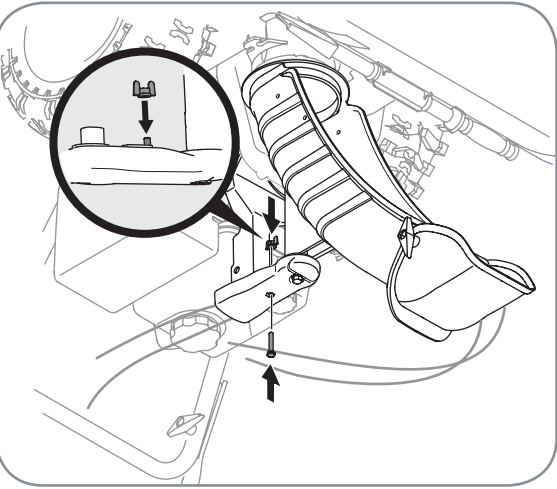


Figure 3-4

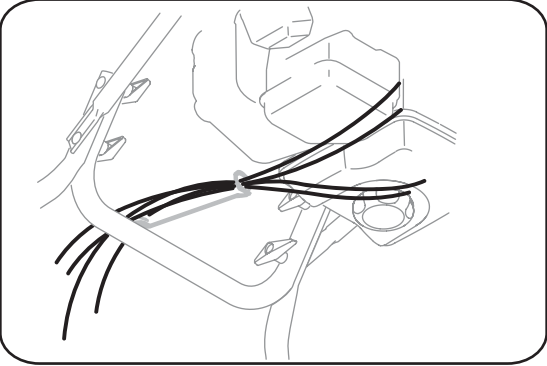


Figure 3-5

5. Ne faites jamais fonctionner la machine dans un local clos ou mal aéré car les gaz d'échappement du moteur contiennent du monoxyde de carbone, un gaz inodore très dangereux.
6. Ne vous servez pas de la machine après avoir bu des boissons alcoolisées ou après avoir pris des médicaments.
7. Le silencieux et le moteur deviennent très chauds et peuvent causer des brûlures. Ne les touchez pas.
8. Soyez extrêmement prudent à proximité des routes, allées ou chemins en gravier. Faites attention aux dangers non évidents et à la circulation.
9. Faites très attention en changeant de direction et en travaillant sur une pente.
10. Prévoyez de travailler en évitant de projeter la neige vers des fenêtres, murs, voitures, etc. car les débris peuvent ricocher et causer des blessures graves ou des dégâts matériels.
11. Ne dirigez jamais la neige vers des enfants, des spectateurs et des animaux de compagnie et ne permettez jamais à quiconque de se tenir devant la machine.
12. Ne fatiguez pas la machine en essayant de débayer la neige trop rapidement.
13. N'utilisez pas la machine si la visibilité est mauvaise ou si la lumière est insuffisante. Gardez toujours un bon équilibre et tenez fermement le guidon. Marchez, ne courez pas.
14. Débrayez la commande de l'ensemble de la tarrière et de la turbine pour transporter la machine et lorsqu'elle n'est pas utilisée.
15. Ne déplacez jamais rapidement la souffluse sur des surfaces glissantes. Soyez prudent en reculant.
16. Arrêtez le moteur, débranchez le fil de la bougie et mettez-le à terre contre le moteur si la machine commence à vibrer de façon anormale. Vérifiez que la machine n'est pas endommagée. Réparez tout dégât éventuel avant de la remettre en marche.
17. Débrayez toutes les commandes et arrêtez le moteur avant de quitter le poste de conduite (derrière les guidons). Attendez que la tarrière/turbine se soit complètement immobilisée avant de déboucher la goulotte d'éjection, de faire un ajustement quelconque ou d'examiner la machine.
18. Ne placez jamais votre main dans la goulotte d'éjection ou près de l'admission. Utilisez toujours l'outil de dégagement pour déboucher l'ouverture de la goulotte. Ne débouchez pas la goulotte d'éjection pendant que le moteur tourne. Arrêtez le guidon jusqu'à ce que toutes les pièces en mouvement se soient immobilisées avant de déboucher la goulotte.
19. N'utilisez que des accessoires homologués par le fabricant de la machine. (ex. poids de roues, chaînes, cabine etc.)
20. Pour mettre le moteur en marche, tirez lentement sur la corde jusqu'à ce que vous sentiez une légère résistance, puis tirez plus rapidement. La rétraction rapide de la corde du démarreur (recu) attire la main et le bras vers le moteur plus vite qu'il n'est possible de lâcher la corde. Ceci peut causer une fracture, des ecchymoses ou une entorse.
21. Faites toujours preuve de bon sens dans des situations qui n'ont pas été abordées par cette notice d'utilisation. Adressez-vous au service après-vente pour obtenir le nom du concessionnaire le plus proche de chez vous.

Entretien et Remisage

1. Ne modifiez jamais les dispositifs de sécurité. Vérifiez souvent l'entretien et les réglages dans cette notice d'utilisation.
 2. Avant de nettoyer, de réparer ou d'examiner la machine, débrayez toutes les commandes et arrêtez le moteur. Attendez que la tarrière/turbine se soit complètement immobilisée. Débranchez le fil de la bougie et mettez-le à la terre pour empêcher tout démarrage accidentel pendant le nettoyage, la réparation ou l'examen de la machine.
 3. Vérifiez régulièrement que les boulons et vis sont bien serrés et maintenez la machine en bon état de marche. Examinez soigneusement la machine pour vous assurer qu'elle n'est pas endommagée.
- 06.09.08
- mortelles.
- D'après la Consumer Product Safety Commission (CPSC - Commission sur la sécurité des produits de consommation) et la "U.S. Environmental Protection Agency" (EPA - Agence américaine de protection de l'environnement), ce produit a une *durée de vie utile moyenne* de sept (7) ans, ou 60 heures de fonctionnement. Au terme de cette *durée de vie utile moyenne*, achetez une machine neuve ou faites inspecter la machine chaque année par une station technique agréée pour vous assurer que tous les dispositifs mécaniques et de sécurité sont en bon état de marche et ne sont pas usés de façon excessive. Le non-respect de ces recommandations peut causer des accidents et des blessures graves ou mortelles.
- ### Durée de vie utile moyenne
- Le non-respect de ces instructions peut entraîner des blessures corporelles.
- ### AVIS CONCERNANT LES ÉMISSIONS DE GAZ
- Les moteurs certifiés conformes aux normes régulatrices de la Californie et de l'agence EPA fédérales pour SOHC (petit équipe-motocycle) sont certifiés pour fonctionner avec de l'essence sans plomb ordinaire et peuvent être dotés des systèmes de contrôle des émissions de gaz suivants : Engine Modification (EM) et Three Way Catalyst (TWC) le cas échéant.
- ### Durée de vie utile moyenne
- Le non-respect de ces instructions peut entraîner des blessures corporelles.
- ### AVIS CONCERNANT LES ÉMISSIONS DE GAZ
- Les moteurs certifiés conformes aux normes régulatrices de la Californie et de l'agence EPA fédérales pour SOHC (petit équipe-motocycle) sont certifiés pour fonctionner avec de l'essence sans plomb ordinaire et peuvent être dotés des systèmes de contrôle des émissions de gaz suivants : Engine Modification (EM) et Three Way Catalyst (TWC) le cas échéant.
- ### Durée de vie utile moyenne
- Le non-respect de ces instructions peut entraîner des blessures corporelles.
- ### AVIS CONCERNANT LES ÉMISSIONS DE GAZ
- Les moteurs certifiés conformes aux normes régulatrices de la Californie et de l'agence EPA fédérales pour SOHC (petit équipe-motocycle) sont certifiés pour fonctionner avec de l'essence sans plomb ordinaire et peuvent être dotés des systèmes de contrôle des émissions de gaz suivants : Engine Modification (EM) et Three Way Catalyst (TWC) le cas échéant.
- ### Durée de vie utile moyenne
- Le non-respect de ces instructions peut entraîner des blessures corporelles.

Cette machine ne doit être utilisée que par des personnes qui peuvent lire, comprendre et respecter les avertissements et instructions qui figurent dans cette notice et sur la machine.

2

Consignes de sécurité

AVERTISSEMENT

Le symbole attire votre attention sur des consignes de sécurité importantes qui, si elles ne sont pas respectées, peuvent mettre en danger non seulement votre personne et vos biens, mais aussi ceux d'autrui. Prière de lire toutes les instructions figurant dans cette notice d'utilisation avant d'essayer de vous servir de cette machine.

Le non-respect de ces instructions peut entraîner des blessures corporelles.

RESPECTEZ L'AVERTISSEMENT QUI ACCOMPAGNE CE SYMBOLE

Votre responsabilité



AVERTISSEMENT: Les gaz d'échappement de ce produit contiennent des produits chimiques reconnus dans l'Etat de Californie comme causant le cancer, des anomalies congénitales ou d'autres problèmes liés à la reproduction.



DANGER: Cette machine doit être utilisée conformément aux consignes de sécurité qui figurent dans la notice d'utilisation. Comme avec tout appareil motorisé, une négligence ou une erreur de la part de l'utilisateur peut entraîner des blessures graves. Cette machine peut amputer mains et pieds et projeter des débris. Par conséquent, le non-respect de ces consignes peut causer des blessures corporelles graves et même mortelles.

Manipulation de l'essence

1. Pour éliminer tout risque de blessure grave, faites très attention en manipulant de l'essence. Il s'agit d'un produit extrêmement inflammable et les vapeurs risquent d'exploser. Vous pouvez être grièvement blessé si des éclaboussures sur votre peau ou sur vos vêtements s'enflamment. Rincez votre peau et changez immédiatement de vêtements.
- a. Remisez le carburant dans des bidons homologués seulement.
- b. Éteignez toute cigarette ou pipe, tout cigare ou toute autre source incandescente.
- c. Ne faites jamais le plein à l'intérieur.
- d. N'enlevez jamais le capuchon d'essence et n'ajoutez pas d'essence pendant que le moteur tourne.
- e. Laissez le moteur refroidir pendant au moins deux minutes avant de faire le plein.
- f. Ne faites jamais déborder le réservoir. Laissez un espace d'un demi-pouce environ pour permettre l'expansion du carburant.
- g. Resserrez bien le capuchon d'essence.
- h. En cas de débordement, essayez toute éclaboussure sur le moteur et la machine. Déplacez la machine et attendez 5 minutes avant de la remettre en marche.
- i. Ne remisez jamais la machine ou les bidons d'essence à l'intérieur s'il y a une flamme, une étincelle ou une veilleuse (d'un chauffe-eau, un padlock, un fourneau, un sèche-linge ou autre appareil à gaz).
- j. Laissez la machine refroidir pendant au moins 5 minutes avant de la remiser.
- k. Ne remplissez jamais les contenants d'essence dans un véhicule, un camion ou une remorque à revêtement en plastique. Placez toujours les contenants au sol, loin de tout véhicule, déchargez l'équipement motorisé du camion ou de la remorque et faites le plein au sol. Si ce n'est pas possible, faites le plein de l'équipement motorisé sur le camion s'il y a un remorqueur en utilisant un contenant d'essence plutôt qu'avec le pistolet de distribution de la pompe d'essence. Maintenez toujours le contact entre le pistolet de distribution et le bord du réservoir d'essence ou l'ouverture du contenant pendant le remplissage. N'utilisez pas un pistolet de distribution à blocage en position ouverte.

Utilisation

1. Ne placez jamais vos mains ou vos pieds près d'une pièce en mouvement, dans l'habillage de la tarère ou de la turbine ou dans la goulotte d'éjection. Les pièces en mouvement peuvent amputer mains et pieds.
2. La manette de commande de l'ensemble de la tarère et de la turbine est un dispositif de sécurité. Ne contournez jamais son rôle ce qui rendrait dangereux l'emploi de la machine et pourrait causer des blessures corporelles.
3. Toutes les manettes de commande doivent fonctionner facilement dans les deux directions et revenir automatiquement à la position de débrayage lorsqu'elles sont relâchées.
4. Ne travaillez jamais sans la goulotte d'éjection ou si elle est endommagée. Laissez tous les dispositifs de sécurité en place et assurez-vous qu'ils sont en bon état.

Formation

1. Assurez-vous de lire et de bien comprendre toutes les instructions qui figurent sur la machine et dans la notice d'utilisation avant de la mettre en marche. Conservez cette notice d'utilisation à un endroit sûr pour toute consultation ultérieure et pour commander des pièces de rechange.
2. Familiarisez-vous avec les commandes et la bonne utilisation de cette machine avant de vous en servir. Apprenez à arrêter la machine et à débrayer rapidement les commandes.
3. Ne permettez jamais à des enfants de moins de 14 ans de se servir de la machine. Des adolescents plus âgés doivent lire la notice d'utilisation, bien comprendre le fonctionnement de la machine et respecter les consignes de sécurité. Ils doivent apprendre à utiliser la machine et s'en servir sous la surveillance étroite d'un adulte.
4. Ne permettez jamais à des adultes ne connaissant pas bien le fonctionnement de la machine de s'en servir.
5. Les objets projetés par la machine peuvent causer des blessures graves. Prévoyez de travailler en évitant de projeter la neige vers la route, des spectateurs, etc.
6. Gardez les spectateurs, les animaux de compagnie et les enfants à une distance d'au moins 75 pieds de la machine quand elle est en marche. Arrêtez la machine si quelque un s'approche.
7. Soyez toujours prudent pour ne pas glisser ou tomber, surtout en reculant.

Préparation

1. Portez toujours des lunettes de sécurité en utilisant la machine ou en effectuant un réglage ou une réparation. Un objet peut en effet être projeté, ricocher et vous blesser aux yeux.
2. Ne travaillez pas sans porter des vêtements d'hiver adéquats. Ne portez pas de bijoux, d'écharpes longues ou de vêtements amples qui risquent de se prendre dans les pièces en mouvement. Portez des chaussures qui améliorent votre stabilité sur des surfaces glissantes.
3. Utilisez une rallonge à 3 fils et une prise de courant mises à la terre avec toutes les machines équipées d'un moteur à démarrage électrique.
4. Réglez la hauteur de l'habillage pour éviter tout contact avec les surfaces en gravier ou en pierre concassée.
5. Débrayez toutes les commandes avant de mettre le moteur en marche.
6. N'essayez jamais de régler le moteur pendant qu'il tourne (à moins d'indications contraires de la part du fabricant).
7. Laissez le moteur et la machine s'habituer à la température extérieure avant de commencer à débayer.

Consignes de sécurité

2



AVERTISSEMENT
Ce symbole attire votre attention sur des consignes de sécurité importantes qui, si elles ne sont pas respectées, peuvent mettre en danger non seulement votre personne et vos biens, mais aussi ceux d'autrui. Prière de lire toutes les instructions figurant dans cette notice d'utilisation avant d'essayer de vous servir de cette machine. Le non-respect de ces instructions peut entraîner des blessures corporelles. RESPECTEZ L'AVERTISSEMENT QUI ACCOMPAGNE CE SYMBOLE!
Votre responsabilité

Cette machine ne doit être utilisée que par des personnes qui peuvent lire, comprendre et respecter les avertissements et instructions qui figurent dans cette notice et sur la machine.

Cette page illustre et explique les symboles de sécurité qui peuvent se trouver sur cette machine. Veuillez lire et suivre toutes les instructions sur la machine et vous assurer de bien les comprendre avant d'essayer d'assembler et d'utiliser la machine.

Symbole	Description
	<p>VEUILLEZ LIRE LA OU LES NOTICES D'UTILISATION. Veuillez lire et suivre toutes les instructions sur la machine et vous assurer de bien les comprendre avant d'essayer d'assembler et d'utiliser la machine.</p>
	<p>AVERTISSEMENT – LAMES EN MOUVEMENT N'approchez pas les mains de l'ouverture d'éjection pendant que la machine fonctionne. Des lames en mouvement sont à l'intérieur.</p>
	<p>AVERTISSEMENT – LAMES EN MOUVEMENT N'approchez pas les mains de l'ouverture d'éjection pendant que la machine fonctionne. Des lames en mouvement sont à l'intérieur.</p>
	<p>AVERTISSEMENT – TARIÈRES EN MOUVEMENT N'approchez pas les mains ou les pieds des pièces en mouvement, de l'habitacle des tarières/de la turbine ou de la goulotte. Les pièces en mouvement peuvent amputer mains et pieds.</p>
	<p>AVERTISSEMENT – OBJETS PROJÉTÉS Cette machine peut ramasser et projeter des objets, ce qui peut causer des blessures graves.</p>
	<p>AVERTISSEMENT – L'ESSENCE EST UN PRODUIT INFLAMMABLE. Laissez le moteur refroidir pendant au moins deux minutes avant de refaire le plein.</p>
	<p>AVERTISSEMENT – MONOXYDE DE CARBONE Ne faites jamais fonctionner un moteur à l'intérieur ou dans un bâtiment mal ventilé. Les gaz d'échappement contiennent du monoxyde de carbone, un gaz inodore et mortel.</p>

Symboles de sécurité



AVERTISSEMENT

Ce symbole attire votre attention sur des consignes de sécurité importantes qui, si elles ne sont pas respectées, peuvent mettre en danger non seulement votre personne et vos biens, mais aussi ceux d'autrui. Prière de lire toutes les instructions figurant dans cette notice d'utilisation avant d'essayer de vous servir de cette machine. Le non-respect de ces instructions peut entraîner des blessures corporelles.

RESPECTEZ

L'AVERTISSEMENT QUI ACCOMPAGNE CE SYMBOLE!

Votre responsabilité

Cette machine ne doit être utilisée que par des personnes qui peuvent lire, comprendre et respecter les avertissements et instructions qui figurent dans cette notice et sur la machine.

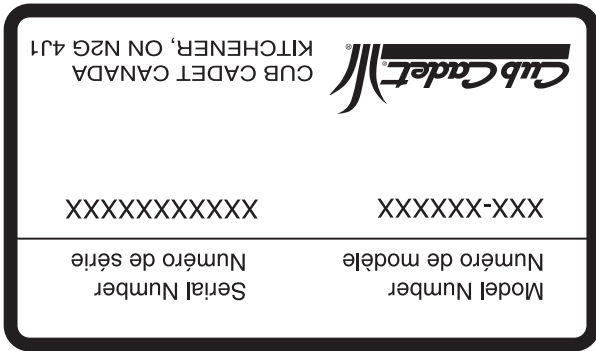
Si l'assemblage de cette machine vous pose des problèmes ou pour toute question concernant les commandes, le fonctionnement ou l'entretien de la machine, les spécialistes sont à votre disposition. Choisissez l'une des options ci-dessous:

1. Visitez le site www.cubcadet.ca/cubcadet où vous trouverez de nombreuses suggestions utiles.
2. Appelez votre concessionnaire local ou appelez un agent du service après-vente au 1-800-668-1238.
3. Le fabricant du moteur est responsable de toutes les questions concernant les performances, la puissance indiquée, les caractéristiques techniques, la garantie et le service après-vente du moteur. Pour plus de renseignements à ce sujet, veuillez consulter la notice d'utilisation du moteur fournie avec votre machine.

Préparez vos numéros de modèle et de série avant de téléphoner. Veuillez lire le chapitre précédent pour déterminer l'emplacement de ces numéros. On vous demandera d'enregistrer le numéro de série avant de pouvoir poursuivre votre consultation.

Service après-vente

Veillez ne pas retourner la machine au détaillant qui vous l'a vendue, sans vous adresser d'abord au service après-vente.



AVANT DE PROCÉDER À L'ASSEMBLAGE DE VOTRE NOUVELLE SOUFFLEUSE, localiser la plaque signalétique sur l'équipement, et recopier le numéro de modèle et le numéro de série sur le modèle de plaque signalétique fourni sur la droite. Pour localiser la plaque signalétique, placez-vous derrière la souffleuse à la poste de conduite et regardez à l'arrière du châssis de la souffleuse.

Pour trouver le numéro de modèle

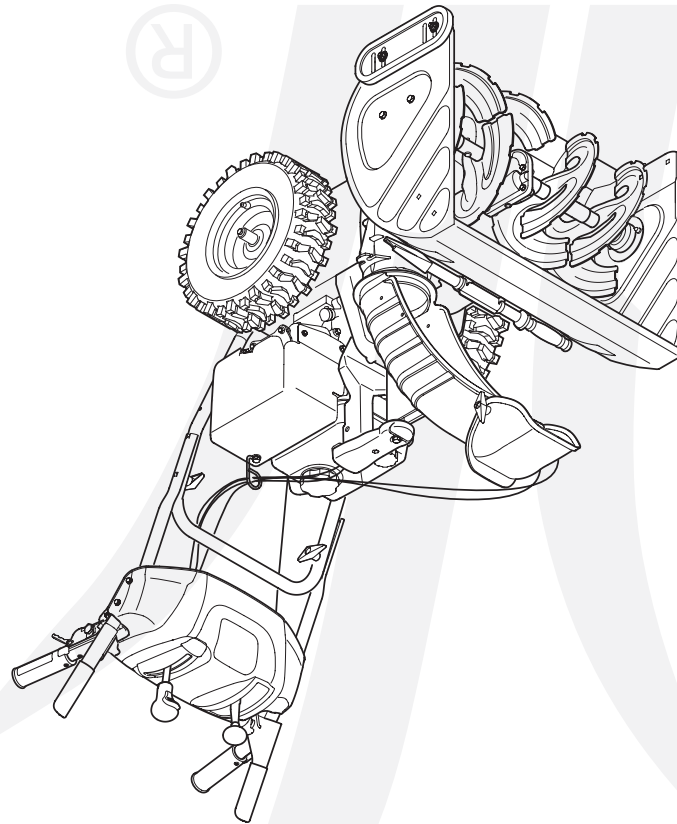
3	Symboles de sécurité
4	Important consignes de sécurité
6	Instructions de montage
8	Utilisation de la souffleuse
12	Réglages
14	Entretien de la souffleuse
17	Remisage hors saison
18	Dépannage
19	Garantie
		Pièces détachées (voir la page 21 de la version anglaise de cette notice d'utilisation)

Table des matières

Cette notice d'utilisation est une pièce importante de votre nouvel équipement. Elle vous fournit les renseignements nécessaires à l'assemblage, à la préparation et à l'entretien de votre machine. Veuillez donc la lire attentivement et vous assurer de bien comprendre toutes les instructions.

IMPORTANT:
LISEZ ATTENTIVEMENT LES RÈGLES DE
SÉCURITÉ ET LES INSTRUCTIONS AVANT
DE METTRE EN MARCHÉ LA MACHINE.

Souffleuse à neige deux phases



NOTICE D'UTILISATION

Sécurité * Montage * Fonctionnement * Réglages * Entretien
Dépannage * Listes des pièces détachées * Garantie

Free Manuals Download Website

<http://myh66.com>

<http://usermanuals.us>

<http://www.somanuals.com>

<http://www.4manuals.cc>

<http://www.manual-lib.com>

<http://www.404manual.com>

<http://www.luxmanual.com>

<http://aubethermostatmanual.com>

Golf course search by state

<http://golfingnear.com>

Email search by domain

<http://emailbydomain.com>

Auto manuals search

<http://auto.somanuals.com>

TV manuals search

<http://tv.somanuals.com>