

OPERATOR'S MANUAL

46" SNOW BLADE

**Model Number
190-822**

IMPORTANT: READ SAFETY RULES AND INSTRUCTIONS CAREFULLY

MTD PRODUCTS INC. P.O. BOX 368022 CLEVELAND, OHIO 44136-9722

PRINTED IN U.S.A.

FORM NO. 47448

RULES FOR SAFE OPERATION

Any power equipment can cause injury if operated improperly or if the user does not understand how to operate the equipment. Exercise caution at all times when operating equipment.

1. Read the tractor and snow blade owners manuals and know how to operate your tractor before using tractor with snow blade attachment.
2. Never operate tractor and snow blade without wearing proper clothing suited to weather conditions and operation of controls.
3. Never allow children to operate tractor and snow blade, and do not allow adults to operate without proper instructions.
4. Always begin with transmission in first (low) gear and gradually increase speed as required.



LOOK FOR THIS SYMBOL TO POINT OUT IMPORTANT SAFETY PRECAUTIONS. IT MEANS--ATTENTION! BECOME ALERT! YOUR SAFETY IS INVOLVED.

UNPACKING

Open carton. Remove parts and literature. Make certain all parts and literature are removed before the carton is discarded.

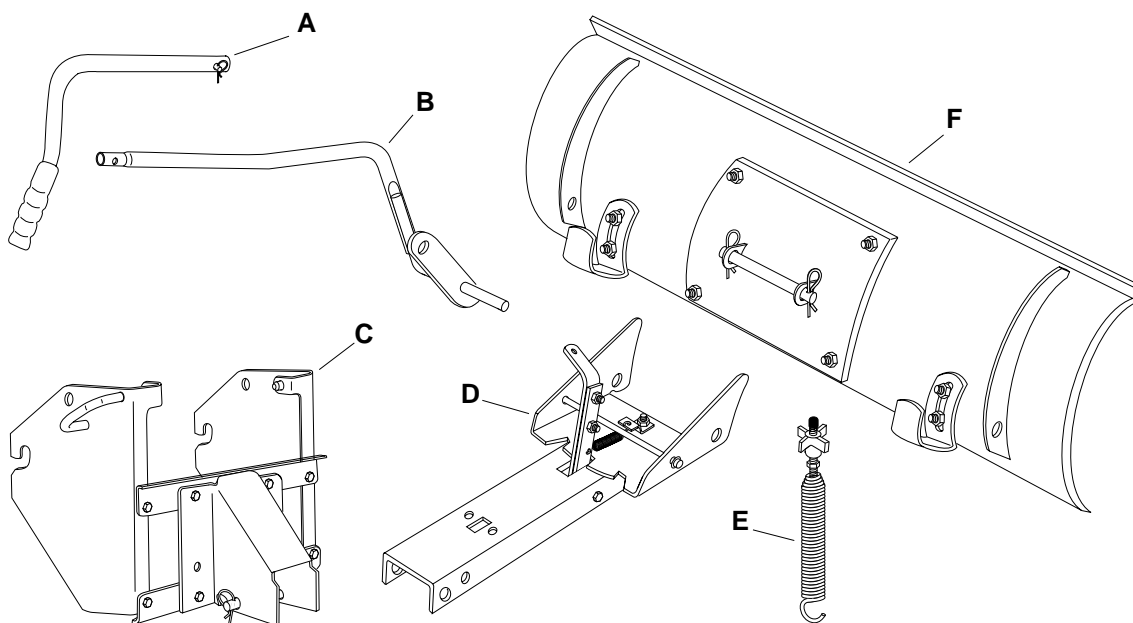
Lay out all parts according to the illustration below.

CARTON CONTENTS (Loose Parts in Carton)

- A 1 Upper Lift Handle w/Clevis Pin & Hairpin Clip
- B 1 Lower Lift Handle Assembly
- C 1 Hitch Assembly w/ Channel Pivot Pin & Hairpin Clips(2)
- D 1 Channel Assembly
- E 1 Blade Adjusting Spring w/Bolt, Nut, Washer & Knob
- F 1 Blade Assembly w/Pivot Shaft & Hairpin Clips(2)

TOOLS REQUIRED FOR ASSEMBLY

No Tools Required



PREPARING THE LAWN TRACTOR



WARNING: Before beginning preparation, select a firm and level surface which is large enough to accommodate the snow blade attachment and tractor. Engage brake lock.

NOTE: When preparing the lawn tractor for assembly of snow blade attachment, store all items removed with the mowing deck.

1. Allow engine, muffler and exhaust deflector to cool before beginning.
2. Disconnect the spark plug wire(s) from the spark plug(s) and ground against the engine.
3. Remove the mowing deck as instructed in the belt removal section of the owner's manual for the lawn tractor.

SECTION 1: ASSEMBLY INSTRUCTIONS

NOTE: Right hand (R.H.) and left hand (L.H.) are determined from the operators position while seated on the tractor.

1. To attach the hitch assembly to the front of the tractor, pull out on the attachment pins and swing the pins down clear of the holes they were in. See figure 1.
2. Hook the notches in the sides of the hitch assembly onto the shoulder bolts in the sides of the tractor frame. See figure 1.
3. To lock the hitch assembly in place, insert the attachment pins back into the holes in the hitch assembly and into the holes in the sides of the tractor frame. See figure 1.

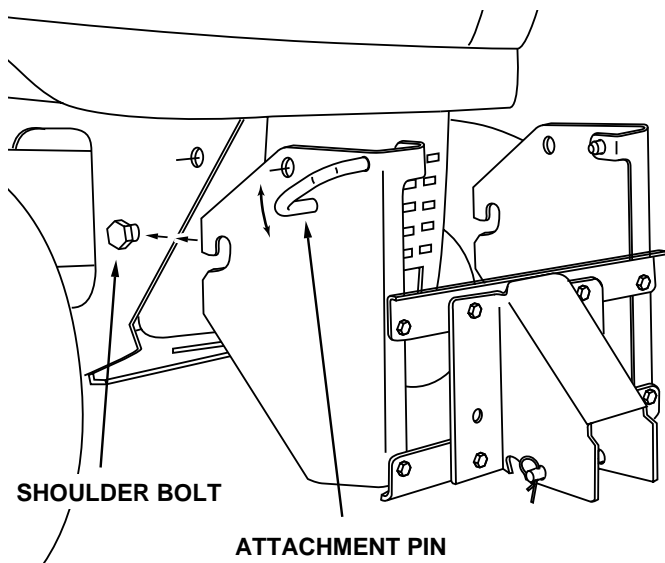


Figure 1

4. Remove the pivot shaft with hairpin clips from the welded brackets on the back of the blade. To attach the channel assembly to the blade, align the holes in the pivot plate with the holes in the welded brackets. Insert the pivot shaft through the holes, securing it with the hairpin clips.
5. Remove the plastic cap, the knob and the washer from the blade adjusting spring bolt. Adjust the hex nut on the bolt so that it is screwed approximately 1" onto the bolt threads. Hook the spring over the spring mount rod as shown. Place the bolt through the hole in the top of the blade and reassemble the washer and the knob onto the bolt. Screw the knob down until tight against the blade and the hex nut. Place the plastic cap over the end of the bolt. See figure 2.

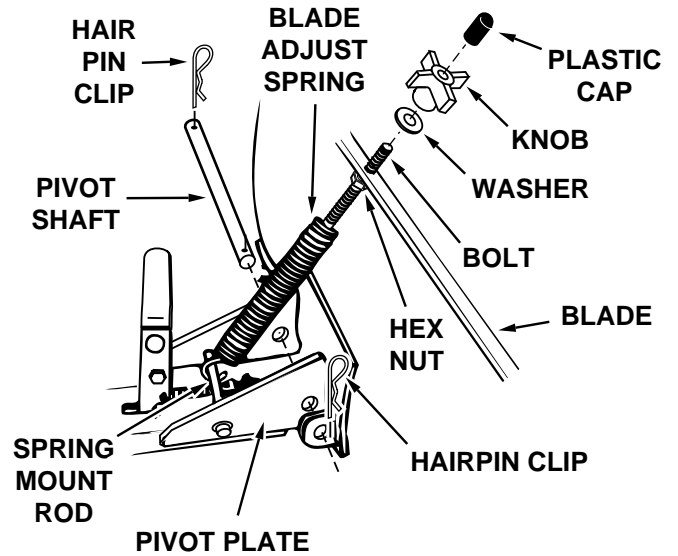


Figure 2

6. Remove the channel pivot pin, washer and hairpin clip from the pivot support bracket. Attach the channel assembly to the tractor by placing the end of the channel inside the pivot support bracket. Insert the channel pivot pin through the holes in the pivot support bracket and the channel. Secure with the hairpin clip. See figure 3.

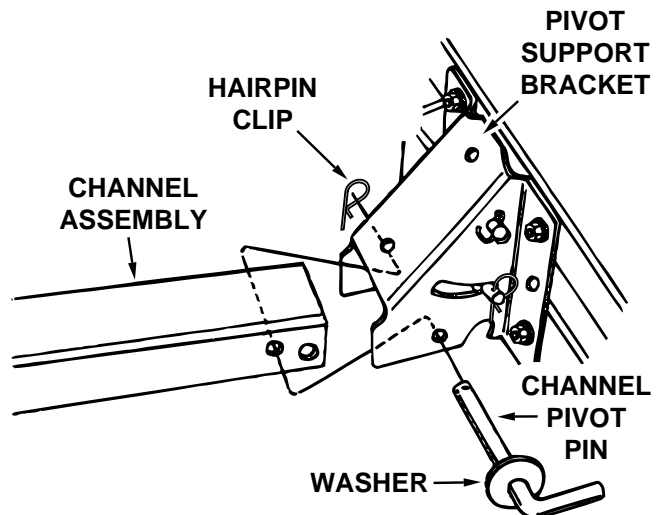


Figure 3

- Remove the hairpin clip from the lift link pin which is assembled to the pivot support bracket. Insert the end of the lower lift handle assembly through the notch in the pivot support bracket and through the holes in the channel. Align the lift link pin with the hole in the welded bracket on the lower lift handle assembly. Insert the lift link pin through the hole in the bracket and secure it with the hairpin clip. See figure 4.

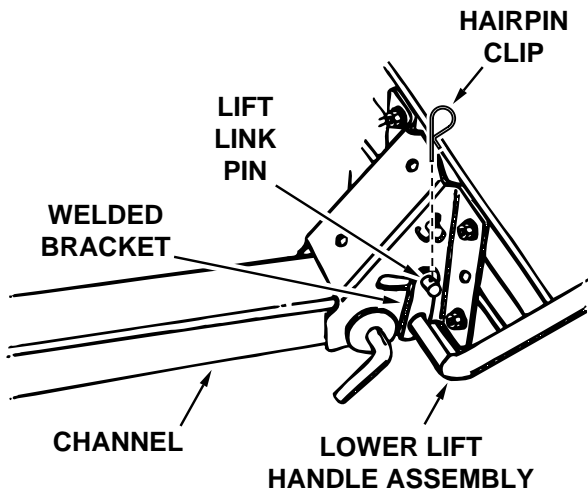


Figure 4

- Remove the clevis pin and hairpin clip from the upper lift handle. Place the upper lift handle over the lower lift handle assembly. Align the holes and secure with the clevis pin and hairpin clip.

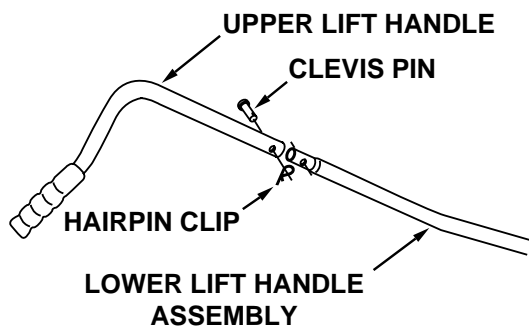
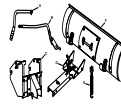


Figure 5

SECTION 2: OPERATING THE BLADE



CAUTION: Inspect the area to be worked carefully before operating the snow blade. Avoid pipes, roots, curbs or other heavy obstructions.

The lift handle, located on the left side of the snow blade, is used to raise and lower the blade. Pulling the lift handle all the way back raises the snow blade. Move the lift handle forward to lower the snow blade to the ground. The angle of the blade can be adjusted to the right or left by pulling back on the angle lock bar, shown in figure 6, and repositioning the head of the blade to the right, left or center.

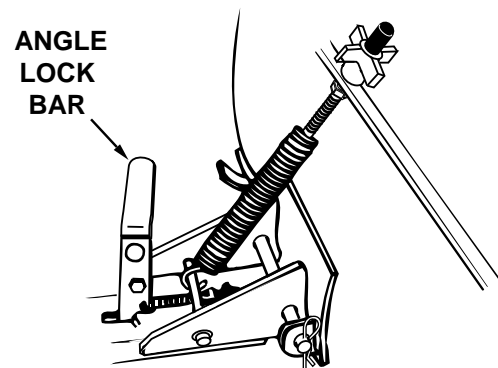
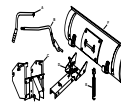
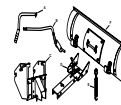


Figure 6



CAUTION: Know the terrain. Avoid exceptionally sharp slopes or drop offs which may be hidden by the snow. Never run the snow blade into heavy material at high speed.

Always begin with the engine speed at the lowest possible setting, and gradually increase speed as required. When working in a large area, do not attempt to move the snow or dirt all in the same direction, causing an excessive build-up, which would become larger with each pass.



CAUTION: Always lower blade to ground before leaving tractor.

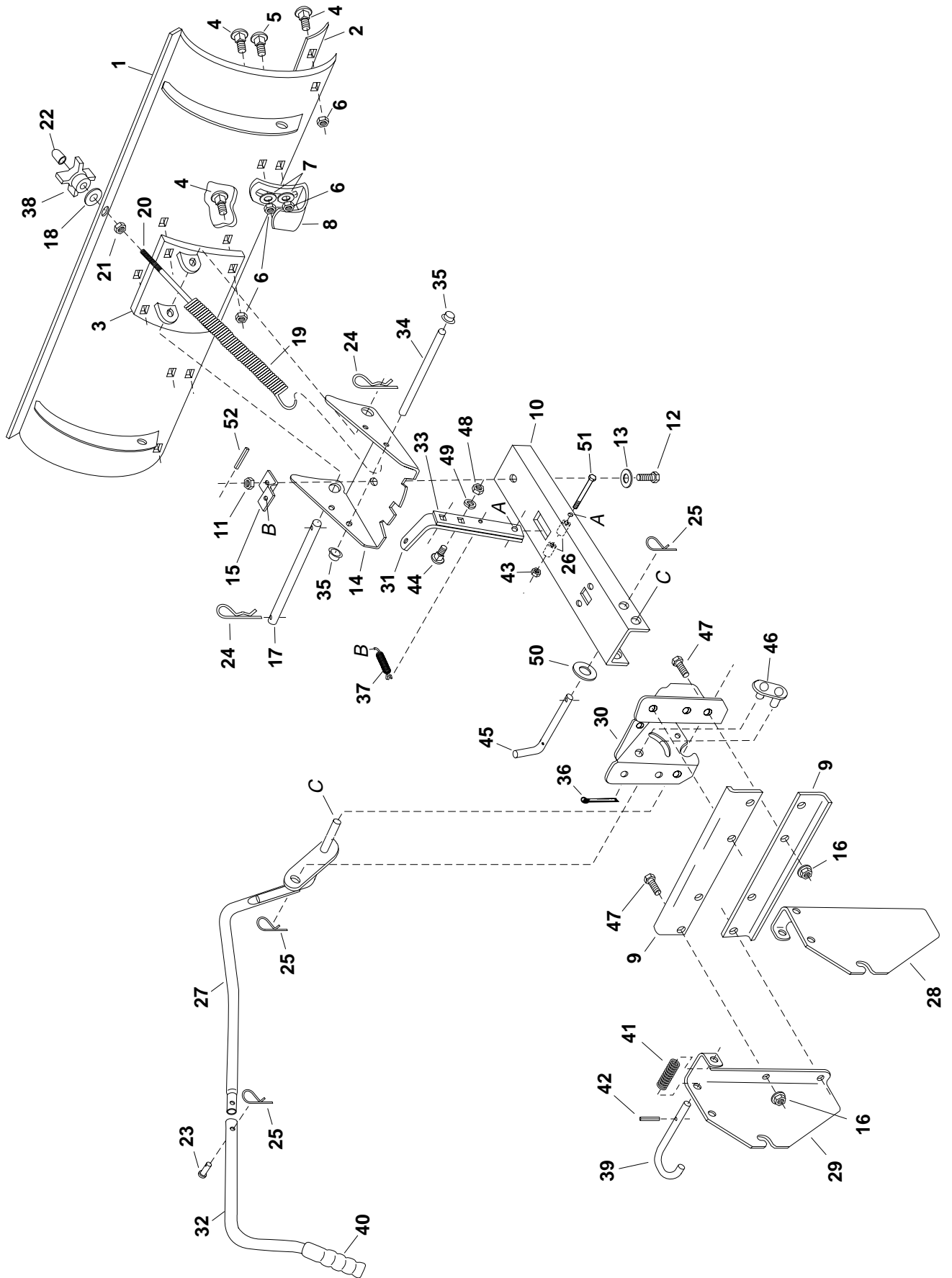
SECTION 3: ADJUSTMENTS

The skid shoes may be adjusted by loosening the two nuts and repositioning at the desired height.

The tension on the blade head spring can be adjusted to suit conditions. To stiffen the blade trip action, loosen the hex nut on the spring bolt and tighten the knob. The normal adjustment of the spring tension is for the spring bolt to extend 1" through the hex nut.

NOTES

REPAIR PARTS LIST FOR MODEL OEM-190-822 46" SNOW BLADE



REPAIR PARTS LIST FOR MODEL OEM-190-822 46" SNOW BLADE

REF. NO.	PART NO.	QTY.	DESCRIPTION	REF. NO.	PART NO.	QTY.	DESCRIPTION
1	63821	1	Blade - 46"	28	24518	1	Hitch Bracket, R.H.
2	24524	1	Wear Plate - 46"	29	24519	1	Hitch Bracket, L.H.
3	62980	1	Reinforcement Plate Assembly	30	24023	1	Pivot Support Bracket
4	43080	8	Bolt, Carriage 5/16-18 x 3/4"	31	23129	1	Angle Lock Bar (Long)
5	43079	2	Bolt, Carriage 5/16-18 x 1"	32	46553	1	Lift Handle, Upper
6	43064	10	Hex Lock Nut, 5/16-18 Thread	33	23151	1	Angle Lock Bar (Short)
7	43081	4	Washer, 5/16"	34	23856	1	Spring Mount Rod
8	23070	2	Skid Shoe	35	44917	2	Palnut, 3/8"
9	24520	2	Bracket, Angle Support	36	43010	1	Cotter Pin 1/8" x 1"
10	24347	1	Push Channel	37	43348	1	Angle Lock Spring
11	43262	1	Hex Lock Nut, 1/2-13 Thread	38	47501	1	Knob
12	23131	1	Bolt, Special Pivot	39	47553	2	Pin, Attachment
13	1540-118	1	Washer, Flat 1/2"	40	43362	1	Handle, Grip
14	23958	1	Plate, Pivot 7 Ga.	41	732-3127	2	Spring, Compression
15	23130	1	Bracket, Spring Mt.	42	43659	2	Pin, Spring 3/16" x 1"
16	47572	8	Flanged Lock Nut, 3/8-16 Thread	43	43013	1	Hex Lock Nut, 1/4-20 Thread
17	23122	1	Shaft, Pivot	44	710-0305	2	Carriage Bolt, 3/8-16 x 1-1/4"
18	43070	1	Washer, 3/8" STD.	45	46065	1	Channel Pivot Pin
19	9466R	1	Spring, Blade Adjust	46	63034	1	Lift Link Assembly
20	44071	1	Hex Bolt, 3/8-16 x 3-1/2"	47	43001	8	Hex Bolt, 3/8-16 x 1"
21	43015	1	Hex Nut, 3/8-16 Thread	48	43082	2	Hex Lock Nut, 3/8-16 Thread
22	44074	1	Plastic Cap	49	43003	2	Lock Washer 3/8"
23	41-42	1	Pin, Clevis 1/4" x 1-1/2"	50	R19171616	1	Washer
24	43343	2	Pin, Hair Cotter #4 (1/8")	51	46071	1	Hex Bolt, 1/4-20 x 3-1/4" Lg. Gr 5
25	43055	3	Pin, Hair Cotter #3 (3/32")	52	43349	1	1/4" x 1" Spring Pin
26	46053	2	Spacer, .28 ID x 1"		47448	1	Owners Manual
27	63283	1	Lift Handle Assembly, Lower				

If you are having difficulty assembling this product or if you have any question regarding the controls, operation or maintenance of this unit, please call the Customer Support Department. You can reach them by calling:

1-800-800-7310

Free Manuals Download Website

<http://myh66.com>

<http://usermanuals.us>

<http://www.somanuals.com>

<http://www.4manuals.cc>

<http://www.manual-lib.com>

<http://www.404manual.com>

<http://www.luxmanual.com>

<http://aubethermostatmanual.com>

Golf course search by state

<http://golfingnear.com>

Email search by domain

<http://emailbydomain.com>

Auto manuals search

<http://auto.somanuals.com>

TV manuals search

<http://tv.somanuals.com>