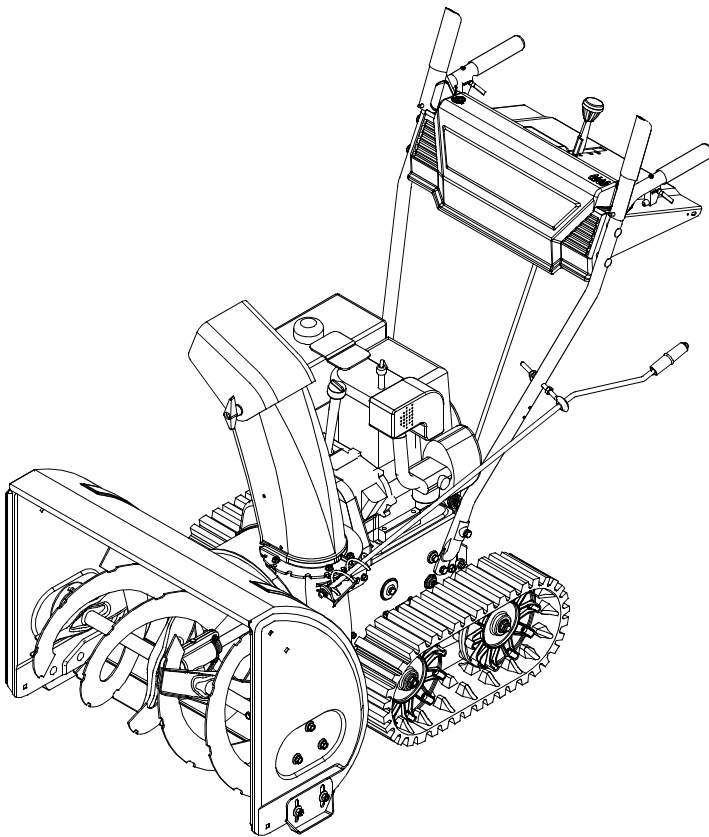




# OPERATOR'S MANUAL



## SNOW THROWER

MODEL  
E740F



### IMPORTANT: READ SAFETY RULES AND INSTRUCTIONS CAREFULLY

**Warning:** This unit is equipped with an internal combustion engine and should not be used on or near any unimproved forest-covered, brush-covered or grass-covered land unless the engine's exhaust system is equipped with a spark arrester meeting applicable local or state laws (if any). If a spark arrester is used, it should be maintained in effective working order by the operator. In the State of California the above is required by law (Section 4442 of the California Public Resources Code). Other states may have similar laws. Federal laws apply on federal lands. A spark arrester for the muffler is available through your nearest engine authorized service dealer or contact the service department, P.O. Box 368022 Cleveland, Ohio 44136-9722.

**MTD PRODUCTS INC. P.O. BOX 368022 CLEVELAND, OHIO 44136-9722**

PRINTED IN U.S.A.

FORM NO. 770-10004C  
(6/00)

## TABLE OF CONTENTS

Content	Page
Important Safe Operation Practices.....	3
Contents of Hardware Pack .....	5
Assembling Your Snow Thrower.....	6
Know Your Snow Thrower .....	9
Operating Your Snow Thrower.....	11
Making Adjustments .....	13
Maintaining Your Snow Thrower .....	14
Service.....	15
Troubleshooting.....	18
Parts List.....	19

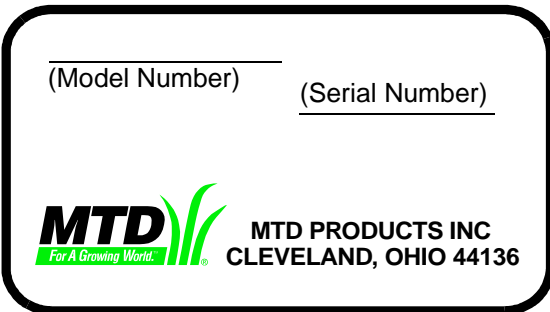
## FINDING MODEL NUMBER

This Operator's Manual is an important part of your new Snow Thrower. It will help you assemble, prepare and maintain the unit for best performance. Please read and understand what it says.



**Before you start assembling your new equipment**, please locate the model plate on the equipment and copy the information from it in the space provided below. The information on the model plate is very important if you need help from our Customer Support Department or an authorized dealer.

- You can locate the model number by standing behind the unit in the operating position and looking down at the dash panel. A sample model plate is explained below. For future reference, please copy the model number and the serial number of the equipment in the space below.



Copy the model number here: \_\_\_\_\_

Copy the serial number here: \_\_\_\_\_

## CALLING CUSTOMER SUPPORT

If you have difficulty assembling this product or have any questions regarding the controls, operation or maintenance of this unit, please call the Customer Support Department.



Call **1- (330) 220-4MTD** (4683) or **1- (800)-800-7310** to reach a Customer Support representative. Please have your unit's model number and serial number ready when you call. See previous section to locate this information. You will be asked to enter the serial number in order to process your call.

For more details about your unit, visit our website at [www.mtdproducts.com](http://www.mtdproducts.com)

---

## SECTION 1: IMPORTANT SAFE OPERATION PRACTICES



**WARNING:** This symbol points out important safety instructions which, if not followed, could endanger the personal safety and/or property of yourself and others. Read and follow all instructions in this manual before attempting to operate this machine. Failure to comply with these instructions may result in personal injury. When you see this symbol - **heed its warning**.

**WARNING:** Engine Exhaust, some of its constituents, and certain vehicle components contain or emit chemicals known to State of California to cause cancer and birth defects or other reproductive harm.

**DANGER:** This machine was built to be operated according to the rules for safe operation in this manual. As with any type of power equipment, carelessness or error on the part of the operator can result in serious injury. This machine is capable of amputating hands and feet and throwing objects. Failure to observe the following safety instructions could result in serious injury or death.

### Training

1. Read, understand, and follow all instructions on the machine and in the manual(s) before attempting to assemble and operate. Keep this manual in a safe place for future and regular reference and for ordering replacement parts.
2. Be familiar with all controls and their proper operation. Know how to stop the machine and disengage them quickly.
3. Never allow children under 14 years old to operate this machine. Children 14 years old and over should read and understand the operation instructions and safety rules in this manual and should be trained and supervised by a parent.
4. Never allow adults to operate this machine without proper instruction.
5. Thrown objects can cause serious personal injury. Plan your snow throwing pattern to avoid discharge of material toward roads, bystanders and the like.
6. Keep bystanders, helpers, pets and children at least 75 feet from the machine while it is in operation. Stop machine if anyone enters the area.
7. Exercise caution to avoid slipping or falling, especially when operating in reverse.
5. Adjust collector housing height to clear gravel or crushed rock surfaces.
6. Disengage all clutch levers before starting the engine.
7. Never attempt to make any adjustments while engine is running, except where specifically recommended in the operator's manual.
8. Let engine and machine adjust to outdoor temperature before starting to clear snow.
9. To avoid personal injury or property damage use extreme care in handling gasoline. Gasoline is extremely flammable and the vapors are explosive. Serious personal injury can occur when gasoline is spilled on yourself or your clothes which can ignite. Wash your skin and change clothes immediately.
  - a. Use only an approved gasoline container.
  - b. Extinguish all cigarettes, cigars, pipes and other sources of ignition.
  - c. Never fuel machine indoors.
  - d. Never remove gas cap or add fuel while the engine is hot or running.
  - e. Allow engine to cool at least two minutes before refueling.
  - f. Never over fill fuel tank. Fill tank to no more than ½ inch below bottom of filler neck to provide space for fuel expansion.
  - g. Replace gasoline cap and tighten securely.
  - h. If gasoline is spilled, wipe it off the engine and equipment. Move machine to another area. Wait 5 minutes before starting the engine.
  - i. Never store the machine or fuel container inside where there is an open flame, spark or pilot light (e.g. furnace, water heater, space heater, clothes dryer etc.).
  - j. Allow machine to cool at least 5 minutes before storing.

### Preparation

1. Thoroughly inspect the area where the equipment is to be used. Remove all door mats, newspapers, sleds, boards, wires and other foreign objects which could be tripped over or thrown by the auger/impeller.
2. Always wear safety glasses or eye shields during operation and while performing an adjustment or repair to protect your eyes. Thrown objects which ricochet can cause serious injury to the eyes.
3. Do not operate without wearing adequate winter outer garments. Do not wear jewelry, long scarves or other loose clothing which could become entangled in moving parts. Wear footwear which will improve footing on slippery surfaces.
4. Use a grounded three wire extension cord and receptacle for all units with electric start engines.

### Operation

1. Do not put hands or feet near rotating parts, in the auger/impeller housing or discharge chute. Contact with the rotating parts can amputate hands and feet.
2. The auger/impeller clutch lever is a safety device. Never bypass its operation. Doing so, makes the machine unsafe and may cause personal injury.

3. The clutch levers must operate easily in both directions and automatically return to the disengaged position when released.
4. Never operate with a missing or damaged discharge chute. Keep all safety devices in place and working.
5. Never run an engine indoors or in a poorly ventilated area. Engine exhaust contains carbon monoxide, an odorless and deadly gas.
6. Do not operate machine while under the influence of alcohol or drugs.
7. Muffler and engine become hot and can cause a burn. Do not touch.
8. Exercise extreme caution when operating on or crossing gravel surfaces. Stay alert for hidden hazards or traffic.
9. Exercise caution when changing direction and while operating on slopes.
10. Plan your snow throwing pattern to avoid discharge towards windows, walls, cars etc. To avoid property damage or personal injury caused by a ricochet.
11. Never direct discharge at children, bystanders and pets or allow anyone in front of the machine.
12. Do not overload machine capacity by attempting to clear snow at too fast of a rate.
13. Never operate this machine without good visibility or light. Always be sure of your footing and keep a firm hold on the handles. Walk, never run.
14. Disengage power to the auger/impeller when transporting or not in use.
15. Never operate machine at high transport speeds on slippery surfaces. Look down and behind and use care when in reverse.
16. If the machine should start to vibrate abnormally, stop the engine, disconnect the spark plug and ground it against the engine. Inspect thoroughly for damage. Repair any damage before starting and operating.
17. Disengage all clutch levers and stop engine before you leave the operating position (behind the handles). Wait until the auger/impeller comes to a complete stop before unclogging the discharge chute, making any adjustments, or inspections.
18. Never put your hand in the discharge or collector openings. Always use a clearing tool to unclog the discharge opening.
19. Use only attachments and accessories approved by the manufacturer (e.g. wheel weights, tire chains, cabs etc.).

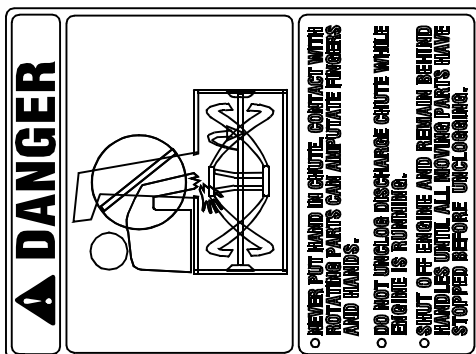
20. If situations occur which are not covered in this manual, use care and good judgment. Contact your dealer or telephone 1-800-800-7310 for assistance and the name of your nearest servicing dealer.

## Maintenance And Storage

1. Never tamper with safety devices. Check their proper operation regularly.
2. Disengage all clutch levers and stop engine. Wait until the auger/impeller come to a complete stop. Disconnect the spark plug wire and ground against the engine to prevent unintended starting before cleaning, repairing, or inspecting.
3. Check bolts, and screws for proper tightness at frequent intervals to keep the machine in safe working condition. Also, visually inspect machine for any damage.
4. Do not change the engine governor setting or over-speed the engine. The governor controls the maximum safe operating speed of the engine.
5. Snow thrower shave plates and skid shoes are subject to wear and damage. For your safety protection, frequently check all components and replace with original equipment manufacturer's (O.E.M.) parts only. "Use of parts which do not meet the original equipment specifications may lead to improper performance and compromise safety!"
6. Check clutch controls periodically to verify they engage and disengage properly and adjust, if necessary. Refer to the adjustment section in this operator's manual for instructions.
7. Maintain or replace safety and instruction labels, as necessary.
8. Observe proper disposal laws and regulations for gas, oil, etc. to protect the environment.
9. Prior to storing, run machine a few minutes to clear snow from machine and prevent freeze up of auger/impeller.
10. Never store the machine or fuel container inside where there is an open flame, spark or pilot light such as a water heater, furnace, clothes dryer etc.
11. Always refer to the operator's manual for proper instructions on off-season storage.

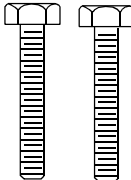
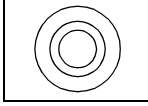
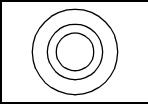
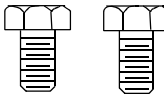
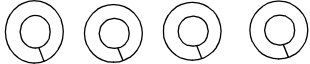
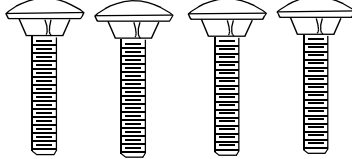
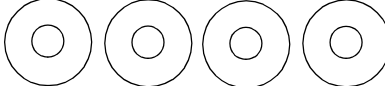

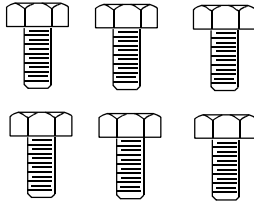
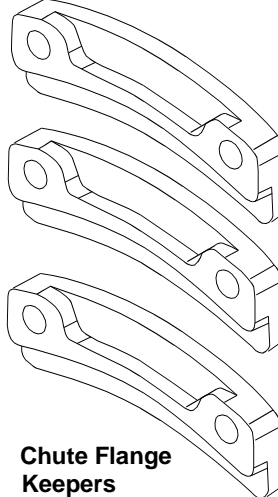
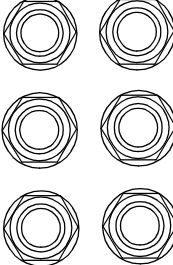
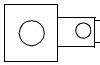
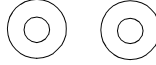
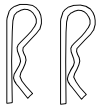

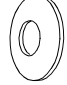

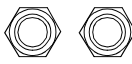
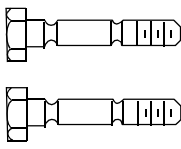
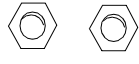
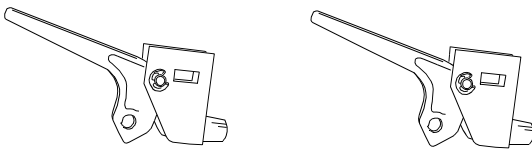
## Your Responsibility:

Restrict the use of this power machine to persons who read, understand and follow the warnings and instructions in this manual and on the machine. The safety labels are given below for your reference.



## SECTION 2: CONTENTS OF HARDWARE PACK

Lay out the hardware according to the illustration for identification purposes. Part numbers are shown in parentheses. (Hardware pack may contain extra items which are not used on your unit.)

<p><b>A ATTACHING THE HANDLES</b></p> <p>Hex Bolts 5/16-18 x 1-3/4" (710-3180)</p>    <p>Hex Bolts 5/16-18 x 3/4" (710-3008)</p>  <p>Handle Tabs (784-5599)</p> <p>Lock Washers 5/16" I.D. (736-0119)</p>  <p>Carriage Bolts 5/16-18 x 1-1/2" (710-0262)</p>  <p>Cupped Washers 5/16" I.D. (736-0242)</p>  <p>Hex Nuts 5/16" Thread (712-3010)</p> 	<p><b>B ATTACHING THE CHUTE ASSEMBLY</b></p> <p>Hex Bolts (710-3015) 1/4-20 x 3/4"</p>    <p>Chute Flange Keepers (731-0851A)</p> <p>Hex Lock Nuts 1/4-20 Thread (712-3027)</p>
<p><b>D ATTACHING THE SHIFT ROD AND CLUTCH CABLES</b></p> <p>Ferrule (711-0677)</p>  <p>Flat Washers 3/8" I.D. x 5/8" O.D. (736-0275)</p>  <p>Hair Pin Clip (714-0104)</p> 	<p><b>C ATTACHING THE CHUTE DIRECTIONAL CONTROL ASSEMBLY</b></p> <p>Flat Washers 3/8" I.D. x 5/8" O.D. (736-0185)</p>  <p>Cupped Washers 5/16" I.D. (736-0242)</p>  <p>Hair Pin Clip (714-0104)</p>  <p>Hex Nut 5/16" Thread (712-3010)</p>  <p>Eyebolt Not Shown (747-0697)</p>
<p><b>E AUGER SHEAR BOLTS (SPARES)</b></p> <p>Shear Bolts (710-0890A)</p>  <p>Hex Lock Nuts 5/16" Thread (712-0429)</p> 	<p><b>F ATTACHING THE TRACK CONTROLS</b></p>  <p>Track Control Triggers (746-0950)</p>

**NOTE:** The augers are secured to the spiral shaft with two shear bolts and hex lock nuts. If you hit a hard foreign object or an ice jam, the snow thrower is designed so that the bolts may shear. Two replacement shear bolts and nuts are provided for your convenience. Store in a safe place until needed.

## SECTION 3: ASSEMBLING YOUR SNOW THROWER

**NOTE:** Reference to right or left side of the snow thrower can be determined from behind the unit in the operating position.

### Unpacking

- Remove staples or break glue on the top flaps of the carton. Remove any loose parts included with unit (i.e., operator's manual, etc.).
- Cut corners and lay end of carton down flat. Remove packing material.
- Roll unit out of carton. Check carton thoroughly for loose parts.

### Attaching Handle Assembly

(Use Hardware A)

- Place right handle in position so the flat side of the handle is against the snow thrower. Secure bottom hole in handle to snow thrower using hex bolt 3/4" long and lock washer. Do not tighten at this time. See Figure 1.

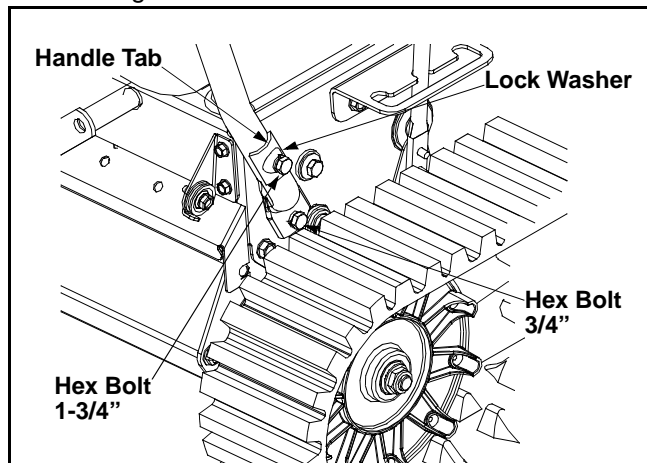


Figure 1

- Place handle tab over the upper hole in handle, so the curve in the handle tab matches the curve in the handle. Secure to the snow thrower using 1-3/4" hex bolt and lock washer. Do not tighten at this time.
- Attach the left handle in the same manner and do not tighten at this time.
- Place the handle panel in position between the handles. To hold the handle panel in place, depress both controls against the handles. While continuing to hold the right control, release the left control (the auger control lock will keep left control engaged). See Figure 2.
- Fasten right side of the handle panel by inserting two carriage bolts through handle and handle panel (bolts must go through both the plastic and metal parts of the handle panel). Secure with cupped

washers (cupped side against handle panel) and hex nuts.

- Secure the left side of the handle panel in the same manner.
- Tighten the four hex bolts used to attach the bottom of the handles to the snow thrower frame.

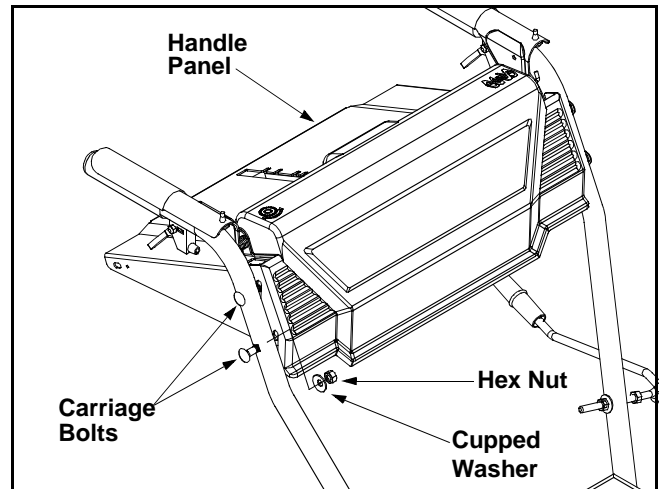


Figure 2

### Attaching Chute Assembly

(Use Hardware B)

- Place chute assembly over chute opening, with the opening in the chute assembly facing the front of the unit.
- Place chute flange keepers beneath lip of chute assembly with the flat side down. Insert hex bolt up through chute flange keeper and chute assembly. Secure with hex lock nut. See Figure 3.
- After assembling all three chute flange keepers, tighten all nuts and bolts. Do not overtighten hardware as it will restrict movement of the discharge chute.

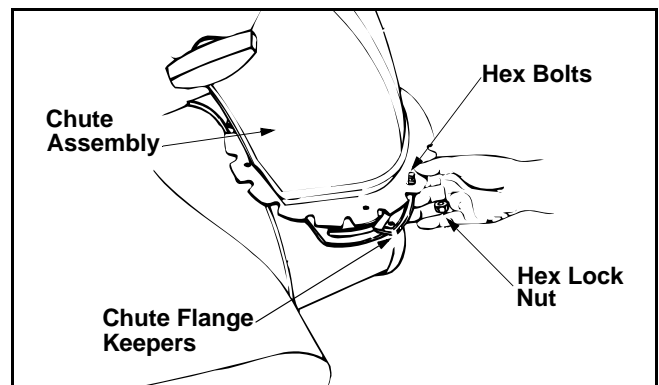


Figure 3

# Attaching Chute Directional Control

## (Hardware C)

- Thread one hex nut about halfway onto eye bolt on the chute directional control. Insert eye bolt through the hole provided in the left handle. See Figure 4.
- Secure with cupped washer (cupped side against the handle) and other hex nut. Do not tighten until after attaching the other end of the chute directional control.

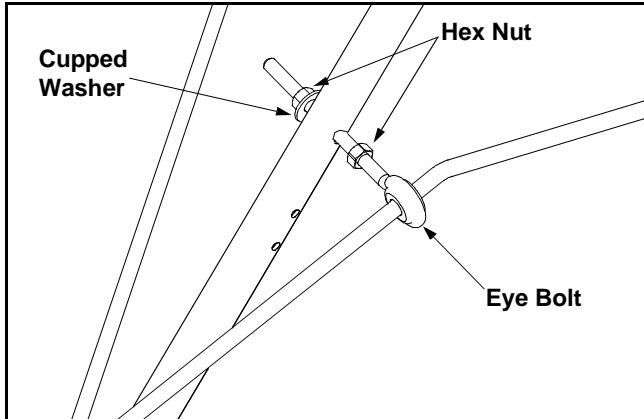


Figure 4

- To align the spiral on the chute directional control, it may be necessary to loosen the carriage bolts and hex lock nuts which secure the lower chute bracket to the extension on the left side of the chute assembly. See Figure 5.

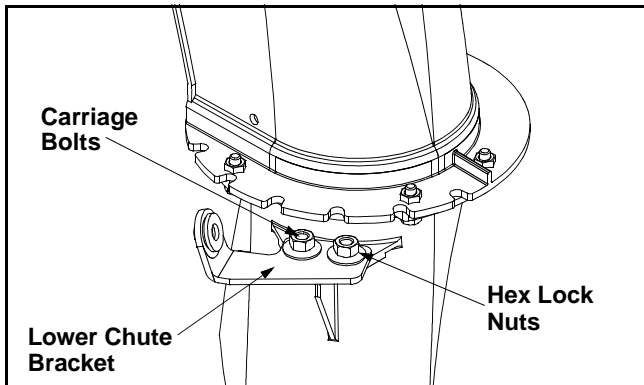


Figure 5

- Place one flat washer on the end of the chute directional control, then insert the end of the control into the hole in the plastic bushing in the lower chute bracket. Place another flat washer on the end of the chute directional control, and insert hairpin clip into hole in the end of control. See Figure 6.
- Adjust the chute bracket so that the spiral on the chute directional control fully engages the teeth on the chute assembly. Tighten the nuts on the lower chute bracket securely. Tighten the hex nut on the eye bolt on the chute directional control.

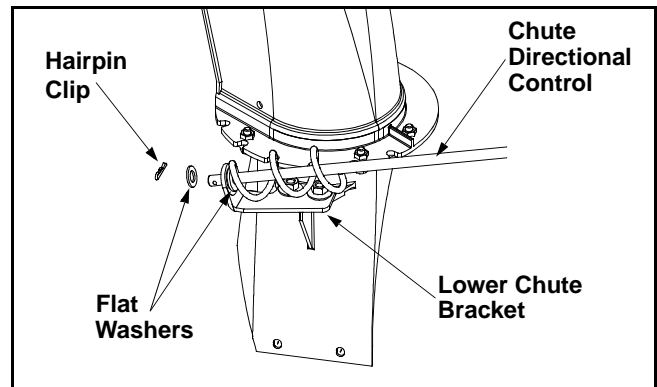


Figure 6

**IMPORTANT:** Attach the shift rod and clutch cables as follows. Check adjustments as instructed and make any necessary adjustments before operating your snow thrower. Failure to follow the instructions may cause damage to the snow thrower.

# Attaching Shift Rod

## (Use Hardware D)

- Place the shift lever (on the handle panel) in the sixth (6) speed position (all the way forward).
- Place the bent end of the shift rod into the hole in the shift arm assembly. Secure with flat washer and hairpin clip. See Figure 7.
- Start threading the ferrule onto the other end of the shift rod. Push down on the shift rod (and shift arm assembly) as far as it will go.

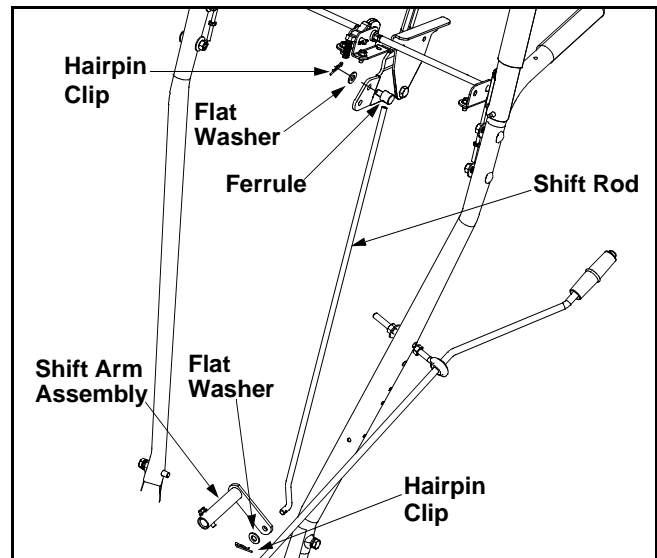


Figure 7

- Thread the ferrule onto the shift rod until the ferrule lines up with the **upper** hole in the shift lever (beneath the handle panel). Insert the ferrule into the upper hole in the shift lever from the left side when adjustment is correct. Secure with flat washer and hairpin clip. See Figure 7.

- Make certain to check for correct adjustment of the shift rod as instructed in the Final Adjustment section before operating the snow thrower.

## Attaching Control Cables

The Z-end of the control cables are hooked into the control grips on each handle. Attach cables as follows:

- Thread the hex jam nuts all the way up the threaded portion of the Z-ends of the control cables.
- Make certain each cable is in groove of cable roller guides. Place the control grip in the raised position.
- Thread the cable onto the threaded portion of the Z-end until there is no slack in the cable, making sure cable is straight. Do not overtighten cable. See Figure 8.
- When correct adjustment is reached, tighten the hex jam nut against the bottom portion of the cable to lock it in position.

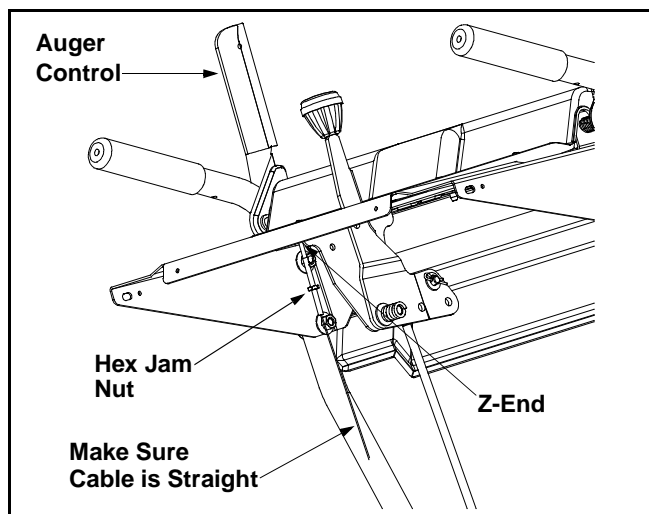


Figure 8



**WARNING:** If cable is tighten so there is tension on the cable with the control grip released, the safety features of the snow thrower may be overridden.

## Attaching Track Controls

(Use Hardware F)

- Remove the screw from the top of the right hand track control. Be careful not to lose the flat weld nut that is inside the control.
- Place the right track control in position underneath the right handle. Secure with screw previously removed. See Figure 9.
- Secure the left track control in the same manner.
- Attach track control cable to track control handle by inserting cable ball into slot on track control handle. Pull cable down and up until it snaps into front of track control handle. Repeat on other side.

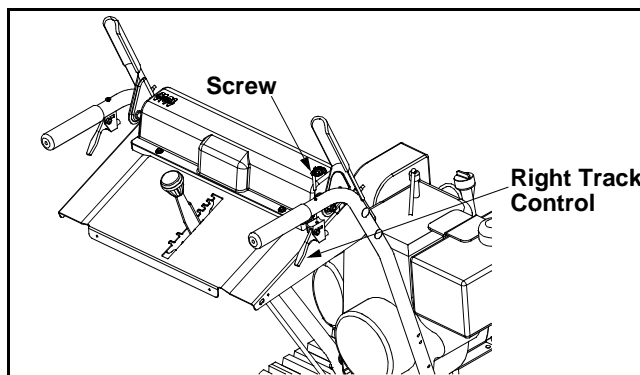


Figure 9

- Secure the track control cables to the inside of the lower handle using the cable ties provided. Pull the cable ties tight and trim the excess ends of the cable ties. See Figure 10.

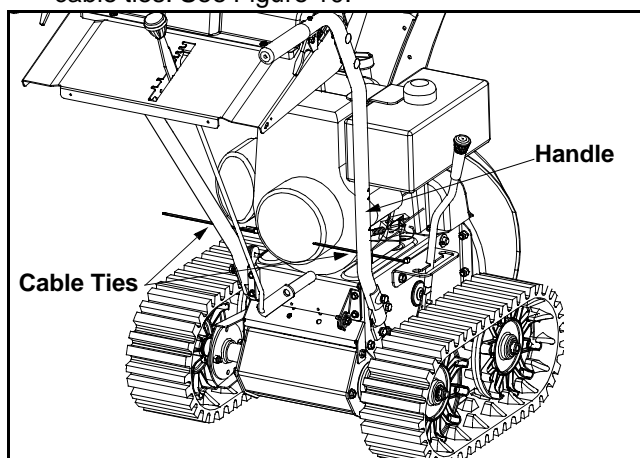


Figure 10

## FINAL ADJUSTMENTS

### Auger Control Adjustment

Check the adjustment of the auger control as follows:

- Push forward on the auger control until the small rubber bumper contacts the upper handle. There should be slack in the cable. See Figure 8.
- Release the auger control. The cable should be straight. Make certain you can depress the auger control against the left handle completely.

If adjustment is necessary, proceed as follows:

- Loosen the jam nut and thread the cable in (for less slack) or out (for more slack) as necessary. See Figure 8.
- Recheck the adjustment before retightening the jam nut against the cable.

### Skid Shoe Adjustment

The space between the shave plate and the ground can be adjusted by repositioning the skid shoes found on either side of the snow throwers auger housing. For close snow removal, place skid shoes in the low position. Use middle or high position when area to be cleared is uneven. See Figure 11.



**IMPORTANT:** It is NOT recommended that this snow thrower be operated on a gravel surface, as loose stones can be easily picked up and thrown by the machine. If you must operate on a gravel surface, ALWAYS adjust the skid shoes into the HIGH position to allow the shave plate maximum clearance.

Adjust skid shoes as follows:

- Loosen, but do NOT remove, the three hex nuts which fasten the skid shoe to the auger housing.
- Raise or lower the skid shoe to desired position.

**NOTE:** Make certain the entire base of both skid shoes are against the ground to avoid uneven wear on the skid shoes. When one side does wear out, the skid shoes are reversible.

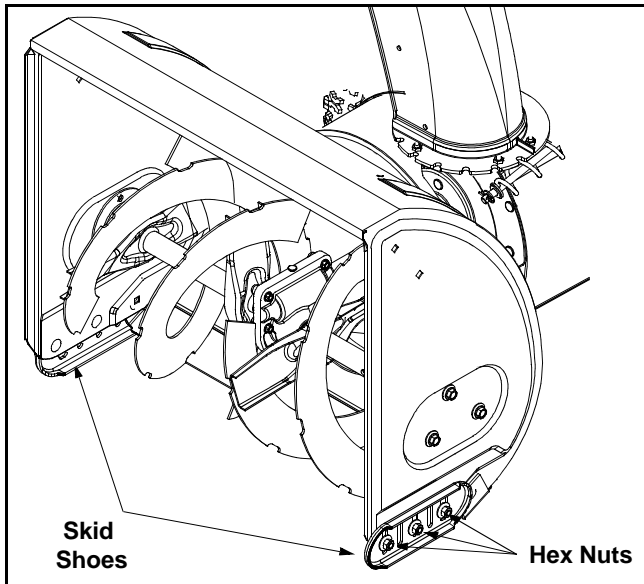


Figure 11

- Retighten the hex nuts loosened earlier.
- Repeat this adjustment on the skid shoe found on the opposite side of the snow thrower.

## Traction Control and Shift Lever Adjustment

To check the adjustment of the traction control and shift lever, proceed as follows:

- Move the shift lever into sixth (6) position.
  - a. With the traction control (refer to Figure 12) released, squeeze in triggers and gently push the snow thrower forward, then pull it back. Disregarding the overall weight of the snow thrower, the machine should otherwise move freely.
  - b. Engage the traction control and attempt to move the machine both forward and rearward. You should experience resistance as the tracks should not be turning.
- Move the shift lever into the fast reverse (R2) position and repeat the previous steps (a & b).

If you experienced resistance either when repositioning the shift lever from 6 to R2 or when attempting to move the machine forward or rearward with the traction control released, your snow thrower's traction control is in need of adjustment and you should NOT operate the machine before completing the adjustment as follows:

- Loosen the jam nut on the traction control cable and UNTHREAD the cable one full turn.
- Recheck the adjustment.
- Retighten the jam nut to secure the cable when correct adjustment is reached.

If the machine can be moved freely both forward and rearward when the traction control fully depressed, proceed as follows:

- Loosen the jam nut on the traction drive cable and THREAD the cable in one full turn.
- Recheck the adjustment and repeat adjustment as necessary.
- Retighten the jam nut to secure the cable when correct adjustment is reached.

**NOTE:** If you are uncertain that you have reached the correct adjustment, refer to Traction Control Adjustment in Adjustment Section.

## SECTION 4: KNOW YOUR SNOW THROWER



**WARNING:** Read, understand, and follow all instructions and warnings on the machine and in this manual before operating.

### Traction Control / Auger Control Lock

The traction control is located on the right handle. Squeeze the traction control to engage the track drive. Release to stop. See Figure 12.

This same lever also locks the auger control so you can turn the chute directional control without interrupting the snow throwing process. If the auger control is engaged

along with the traction control, the operator can release the auger control (on the left handle) and the augers will remain engaged. Release the traction control to stop both the augers and track drive (auger control must also be released).

### Auger Drive Control

The auger drive control is located on the left handle. Squeeze the control grip to engage the augers. Release to stop the snow throwing action. (Traction control must also be released.) See Figure 12.

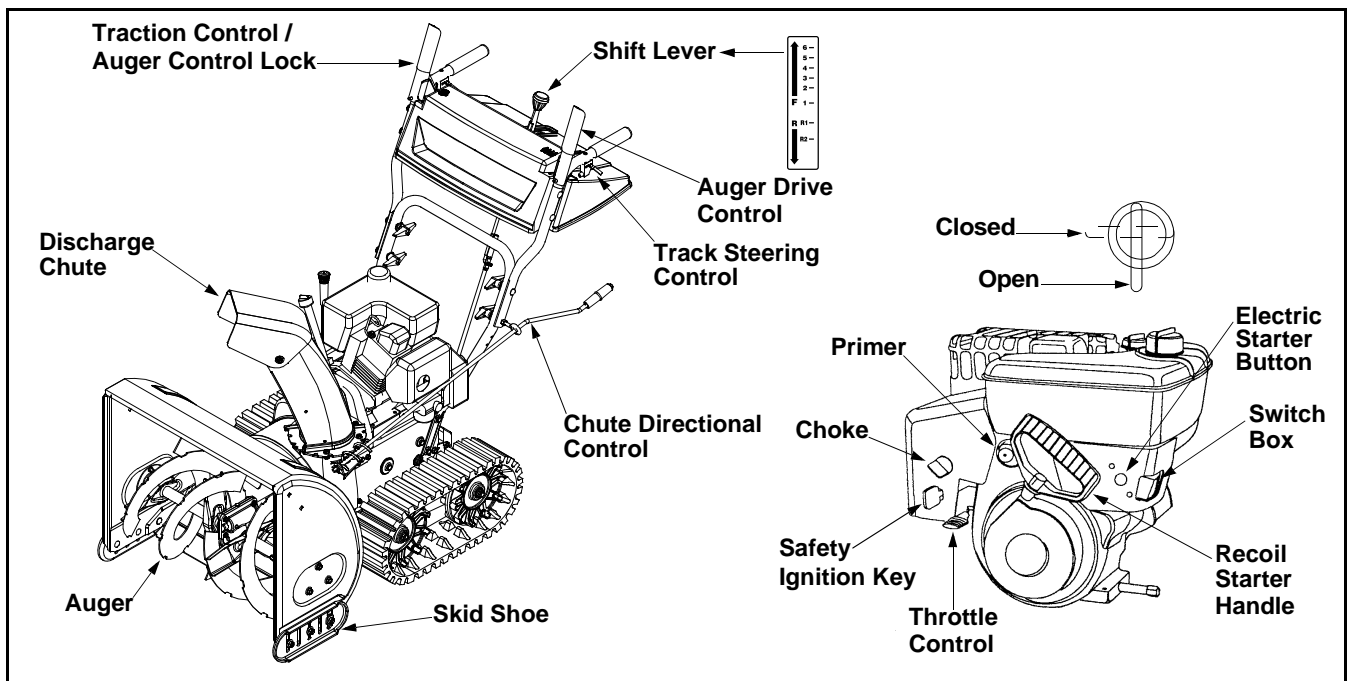


Figure 12

## Shift Lever

The shift lever is located in the center of the handle panel and is used to determine both ground speed and direction of travel. It can be moved into any of eight positions. See Figure 12.

### Forward

Your snow thrower has six forward (F) speeds. Position number one (1) is the slowest. Position number six (6) is the fastest.

### Reverse

Your snow thrower has two reverse (R) speeds. R1 is the slower, while R2 is the faster of the two.

**IMPORTANT:** Always release tractional control before changing speeds.

## Chute Directional Control

The chute directional control is located on left side of the snow thrower. See Figure 12.

To change the direction in which snow is thrown, turn chute directional control as follows:

- Crank clockwise to discharge to the left.
- Crank counterclockwise to discharge to the right.

## Track Steering Controls

The left and right track steering controls are located on the underside of the handles and are used to assist in steering the snow thrower. Squeeze the right track control when turning right and squeeze the left control when turning left. Operate your snow thrower in open areas until you become familiar with these controls. See Figure 12.

**NOTE:** It is easier to maneuver a non-running snow thrower with both track steering controls held in simultaneously.

## Headlight (If Equipped)

The headlight is on whenever the engine is running.

## Skid Shoe

The position of the skid shoe is determined by the condition of the ground from where snow has to be removed. See Figure 12.

## Throttle Control

The throttle control is located on the engine. It regulates the speed of the engine and will shut off the engine when pushed down completely. See Figure 12.

## Safety Ignition Key

The safety ignition key must be fully inserted in the switch before the unit will start. Remove the ignition key when the snow thrower is not in use. See Figure 12.

**IMPORTANT:** Do NOT attempt to turn the key.

## Fuel Shut-off Valve

The fuel shut-off valve, located under the fuel tank, controls fuel flow from the tank. Always make certain it is in the Open (vertical) position before attempting to start the engine. See Figure 12.

## Track Lock Lever

The track lock lever is located on the right side of the snow thrower and is used to select the position of the auger housing and the method of track operation. Move the lever to the right, then forward or backward to one of the three positions. See Figure 13.

**Transport:** Raises the front end of the snow thrower for easy transport. Using proper caution, this position may also be used on many gravel driveways to clear snow while leaving gravel undisturbed.

**Normal Snow:** Allows the tracks to be suspended independently for continuous ground contact.

**Packed Snow:** Locks the front end of the snow thrower down to the ground for hard-packed or icy snow conditions.

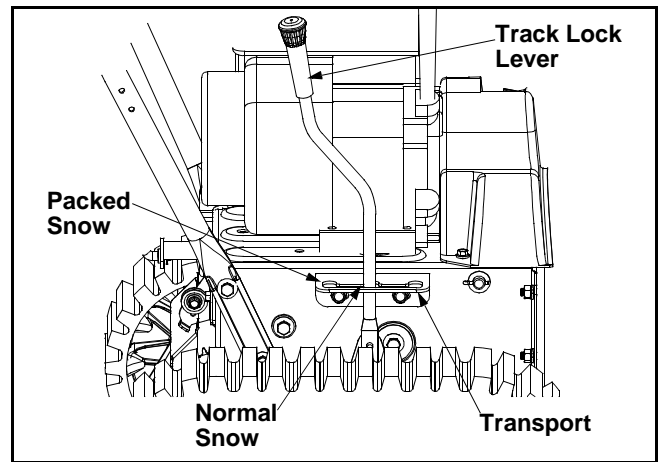


Figure 13

## SECTION 5: OPERATING YOUR SNOW THROWER

### Before Starting



**WARNING:** Read, understand, and follow all instructions and warnings on the machine and in this manual before operating.

### Gas And Oil Fill-up

Service the engine with gasoline and oil as instructed in the separate engine manual packed with your snow thrower. Read instructions carefully.



**WARNING:** Use extreme care when handling gasoline. Gasoline is extremely flammable and the vapors are explosive. Never fuel machine indoors or while the engine is hot or running. Extinguish cigarettes, cigars, pipes and other sources of ignition.

- A plastic **cup** is provided inside the fuel fill opening on the fuel tank. Remove and discard this cup before filling up the tank. Use the separate fuel tank cap to close after fill-up.

### To Start Engine

**NOTE:** If unit shows any sign of motion (drive or augers) with the clutch grips disengaged, shut engine off immediately. Readjust as instructed in the Final Adjustments in the Assembly Section.

- Attach spark plug wire to spark plug. Make certain the metal loop on end of the spark plug wire (inside the boot) is fastened securely over the metal tip on the spark plug.

- Make certain the fuel cutoff valve is in the OPEN (vertical position). See Figure 12.
- Make certain the auger and drive clutch levers are in the disengaged (released) position.
- Move throttle control up to FAST position. Insert ignition key into slot. See Figure 12. Be certain it snaps into place. **Do not turn key.**

**NOTE:** Engine will not start unless ignition key is inserted into ignition slot in carburetor cover.

### Electric Starter

- Determine that your house wiring is a three-wire grounded system. Ask a licensed electrician if you are not certain.
- If your house wiring system is not a three-wire grounded system, do not use this electric starter under any conditions.



**WARNING:** The electric starter is equipped with a grounded three-wire power cord and plug and is designed to operate on 120 volt AC household current. It must be used with a properly grounded three-prong receptacle at all times to avoid the possibility of electric shock. Follow all instructions carefully prior to operating the electric starter.

- If your home electrical system is grounded, but a three-hole receptacle is not available, one should be installed by a licensed electrician before using the electric starter.
- If you have a grounded three-prong receptacle, proceed as follows:
- Rotate choke knob to OFF position and do not prime engine.

- Connect power cord to switch box on engine. Plug the other end of power cord into a three-hole, grounded 120 volt AC receptacle.
- Push starter button on top of the engine to crank engine. As you crank the engine, move choke knob to FULL choke position.
- When engine starts, release starter button, and move choke gradually to OFF. If engine falters, move choke immediately to FULL and then gradually to OFF.
- When disconnecting the power cord, always unplug from the three-prong receptacle first and then from the snow thrower.

## Recoil Starter

- Rotate choke knob to FULL choke position (cold engine start). If engine is warm, place choke in OFF position instead of FULL.
- Push primer button two or three times. If engine is warm, push primer button once only.

**NOTE:** Always cover vent hole in primer button when pushing. Additional priming may be necessary for first start if temperature is below 15°F.

- Grasp starter handle and pull rope out slowly, until it pulls slightly harder. Let rope rewind slowly.
- Pull starter handle rapidly. Do not allow handle to snap back. Allow it to rewind slowly while keeping a firm hold on the starter handle.
- Repeat the previous steps until engine starts.

## To Stop Engine

- Run engine for a few minutes before stopping to help dry off any moisture on the engine.
- To help prevent possible freeze-up of starter, proceed as follows.

### Electric Starter:

- Connect power cord to switch box on engine, then to 120 volt AC receptacle. With the engine running, push starter button and spin the starter for several seconds. The unusual sound made by spinning the starter will not harm engine or starter. Disconnect the power cord from receptacle first, and then from switch box.

### Recoil Starter

- With engine running, pull starter rope with a rapid, continuous full arm stroke three or four times. Pulling the starter rope will produce a loud clattering sound, which is not harmful to the engine or starter.
- Move throttle control to "stop" or "off" position.
- Remove ignition key. Do not turn key. Disconnect the spark plug wire from the spark plug to prevent accidental starting while equipment is unattended.

**NOTE:** Keep it in a safe place. Engine will not start without ignition key.

Wipe all snow and moisture from the carburetor cover in the area of the control levers. Also, move control levers back and forth several times.

## To Engage Track Drive

- With the engine running near top speed, move the shift lever into one of the six FORWARD positions or two REVERSE positions. Select a speed appropriate for the snow conditions that exist.

**NOTE:** Use slower speeds in higher snow and until you are familiar with the operation of the snow thrower.

- Squeeze the traction control against the right handle and the snow thrower will move. Release it and the drive motion will stop.

**IMPORTANT:** NEVER move the shift lever without first releasing the traction control. Doing so will cause premature wear to the drive system's friction wheel.

## To Engage Augers

To engage the augers and start the snow throwing action, proceed as follows:

- Squeeze the auger control against the left handle. To disengage power to the augers:
- Release both the auger control and the traction control, if engaged.

The auger control can be locked so you can turn the electric chute directional control without interrupting the snow throwing process.

## Operating Tips

**NOTE:** Allow the engine to warm up for a few minutes. The engine will not develop full power until it reaches operating temperature.



**WARNING:** The temperature of the muffler and the surrounding areas may exceed 150°F. Avoid these areas.

- For the most efficient snow removal, remove snow immediately after it falls.
- Discharge the snow downwind whenever possible.
- Slightly overlap each previous path.
- Set the skid shoes 1/4" below the shave plate for normal usage. The skid shoes may be adjusted upward (to lower the shave plate) for hard-packed snow. Adjust downward (to raise the shave plate) when using on gravel or crushed rock.
- Be certain to follow the precautions found in the To Stop Engine section to prevent possible freeze-up.
- Clean the snow thrower thoroughly after each use.

## SECTION 6: MAKING ADJUSTMENT



**WARNING:** NEVER attempt to make any adjustments while the engine is running, except where specified in the operator's manual.

### Auger Control Adjustment

Refer to the information found under Final Adjustments in the Assembly Section to adjust the auger control.

### Traction Control Adjustment

Refer to the information found under Final Adjustment in the Assembly Section to adjust the traction control. If you are uncertain that you have reached the correct adjustment, proceed as follows:



**WARNING:** Drain the gasoline out of the snow thrower's tank, or place a piece of plastic film under the gas cap to avoid spillage BEFORE making the adjustment.

- Tip the snow thrower forward, allowing it to rest on the auger housing.
- Remove the frame cover underneath the snow thrower by removing the six self-tapping screws.
- With the traction control released, there must be clearance between the friction wheel and the drive plate in all positions of the shift lever.
- With the traction control engaged, the friction wheel must contact the drive plate. See Figure 14.

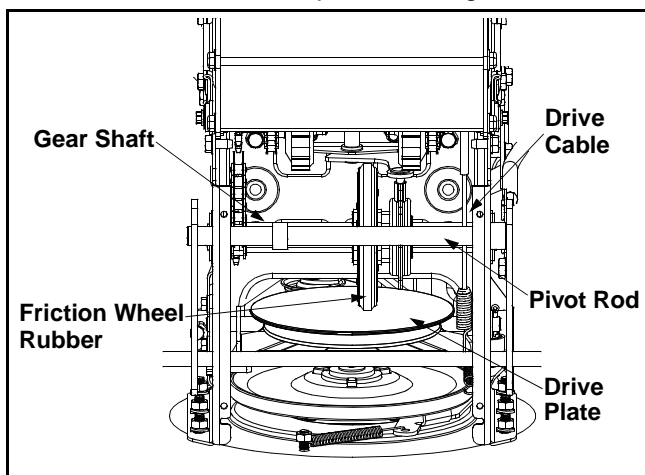


Figure 14

If adjustment is necessary:

- Loosen the jam nut on the traction drive cable. Adjust the cable as necessary. Refer to Figure 8.
- Retighten the jam nut to secure the cable when correct adjustment is reached.
- Reassemble the frame cover.

### Chute Directional Control And Support Bracket Adjustment

If the spiral at the base of the chute directional control is not fully engaging with the notches in the lower chute assembly, the support bracket can be adjusted inward or outward as follows:

- Loosen, but do NOT remove the two hex nuts which secure the chute directional control support bracket to the snow thrower housing. See Figure 15.

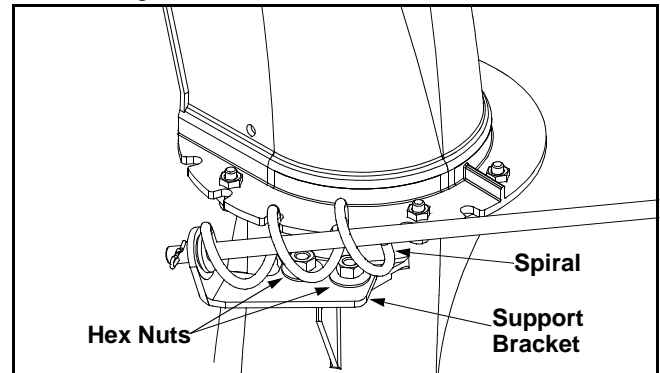


Figure 15

- Adjust the support bracket inward or outward so that the spiral is fully engaged in the notches on the chute before retightening the hex nuts.

### Shift Rod Adjustment

To adjust the shift rod, proceed as follows:

- Remove the hairpin clip and slide the shift rod connector up, to separate the upper shift rod from the lower shift rod. See Figure 16.

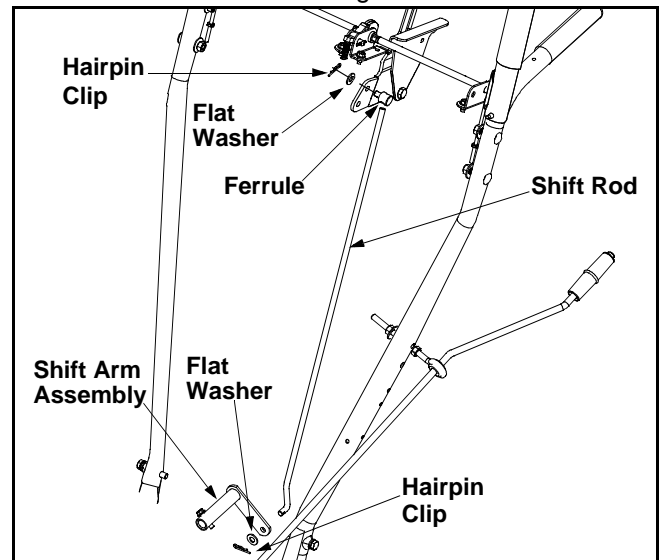


Figure 16

- Place the shift lever into the sixth (6) position.
- Rotate the shift arm clockwise (from the operator's position) as far as it will go.
- Thread the upper shift rod downward until the elbow on its lower end aligns with the hole found in the lower shift rod.
- Reconnect the upper shift rod to the lower shift rod by reinserting the hairpin clip removed earlier and sliding the shift rod connector back down into place.

**IMPORTANT:** Make certain to check for correct adjustment of the shift rod as instructed under Final Adjustments in the Assembly Section, before operating the snow thrower.

## Skid Shoe Adjustment

The space between the shave plate and the ground can be adjusted by raising or lowering the skid shoes. Refer to Skid Shoe Adjustment in the Assembly Section.

## Chute Assembly

The angle of the discharge chute controls the distance the snow is thrown. The distance snow is thrown can be adjusted by tilting the discharge chute up for greater distance or tilting down for less distance. Loosen the hand knob on the side of the discharge chute to adjust. Tilt the chute to desired position and tighten hand knob.

## SECTION 7: MAINTAINING YOUR SNOW THROWER



**WARNING:** Before lubricating, repairing, or inspecting, disengage all clutch levers and stop engine. Wait until all moving parts have come to a complete stop. Disconnect spark plug wire and ground it against the engine to prevent unintended starting.

### Lubrication

#### Gear Shaft

Lubricate the gear shaft with 6-n-1 grease at least once a season or after every 25 hours of operation (available at automotive stores, or order part number 737-0170). Refer to Figure 14.

**IMPORTANT:** Keep all grease and oil off of the rubber friction wheel and aluminum drive plate.

#### Drive and Shifting Mechanism

Lubricate at least once a season or after every 25 hours of operation. Remove the rear cover, lubricate any chains, sprockets, gears, bearings, shafts, and shifting mechanism at least once a season. Use engine oil or a spray lubricant. **Avoid getting oil on the friction wheel rubber and aluminum drive plate.** Refer to Figure 14.

There is a grease fitting on the top of the axle shaft which drives the rear track drive wheels on both sides of the unit. Grease these fittings every 25 hours or once a season.

#### Traction Control / Auger Control Lock

The cams on the ends of the control rods which interlock the traction drive and auger drive controls must be lubricated at least once a season or every 25 hours of operation. The cams can be accessed beneath the handle panel. Use a multi-purpose automotive grease.

#### Chute Directional Control

The spiral on the end of the chute directional control

and the base of the discharge chute itself should be lubed with multi-purpose automotive grease once a season. See Figure 17.

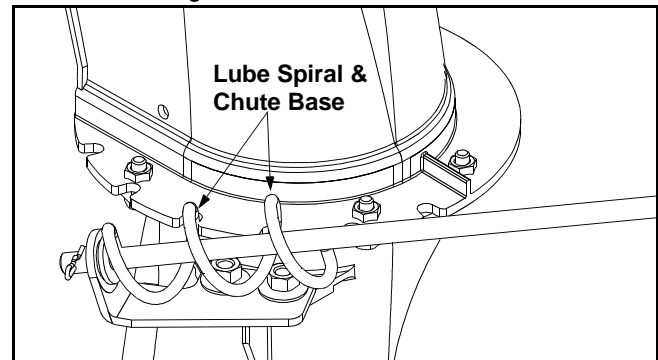


Figure 17

#### Auger Shaft

At least once a season, remove the shear bolts on the auger shaft. Spray lubricant inside the shaft. Also lubricate the plastic auger bearings at least once a season on the end of the auger shaft with a standard grease gun. See Figure 18.

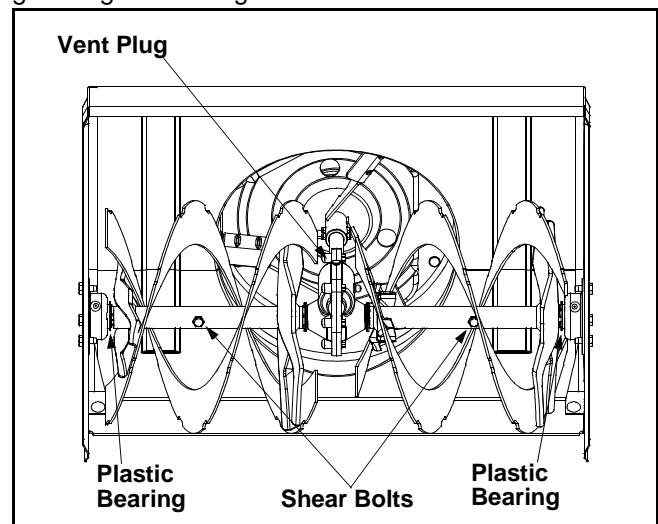


Figure 18

## Gear Case

The gear case is lubricated with grease at the factory and does not require checking. If disassembled for any reason, lubricate with 2 ounces of Shell Alvania grease EP00, part number 737-0168. Before reassembling, remove old sealant and apply new sealant.

**IMPORTANT:** Do not overfill the gear case. Damage to

the seals could result. Be sure the vent plug is free of grease in order to relieve pressure.

## Engine

Refer to the separate engine manual packed with your unit for all engine lubrication instructions.

# SECTION 8: SERVICING YOUR SNOW THROWER



**WARNING:** Before servicing, repairing, or inspecting, disengage all clutch levers and stop engine. Wait until all moving parts have come to a complete stop. Disconnect spark plug wire and ground it against the engine to prevent unintended starting.

## Engine

Refer to the separate engine manual packed with your unit for all engine maintenance procedures.

## Augers

- The augers are secured to the spiral shaft with two shear bolts and hex lock nuts. If you hit a hard foreign object or ice jam, the snow thrower is designed so that the bolts may shear. Refer to Figure 18.
- If the augers will not turn, check to see if the bolts have sheared. Replacement shear bolts and hex lock nuts have been provided with the snow thrower. When replacing bolts, spray an oil lubricant into shaft before inserting new bolts.

**IMPORTANT:** NEVER replace the auger shear bolts with standard hex bolts. Any damage to the auger gearbox or other components as a result of doing so will NOT be covered by your snow thrower's warranty.

## Shave Plate and Skid Shoes

The shave plate and skid shoes on the bottom of the snow thrower are subject to wear. They should be checked periodically and replaced when necessary. To remove the skid shoes, proceed as follows:

- Remove the six carriage bolts, bell washers, and hex nuts which attach them to the snow thrower.
- Reassemble new skid shoes with the six carriage bolts, bell washers (cupped side goes against skid shoes) and hex nuts. Make certain the skid shoes are adjusted to be level.

To remove shave plate, remove the carriage bolts, bell washers, and hex nuts which attach it to the snow thrower housing. Reassemble new shave plate, making sure heads of the carriage bolts are to the inside of the housing. Tighten securely.

## Belt Removal And Replacement

### Auger Belts

- Remove the plastic belt cover by removing the two self-tapping screws. See Figure 19.
- Drain the gasoline from the snow thrower.
- Tip the snow thrower up and forward so that it rests on its auger housing.

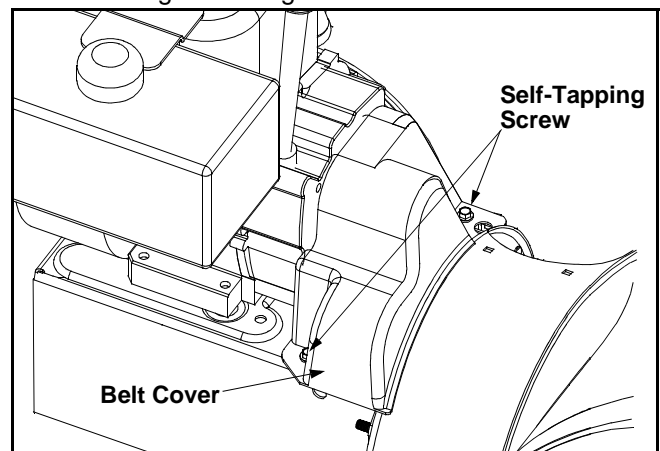


Figure 19

- Remove the six self-tapping screws from the frame cover underneath the snow thrower.
- Roll the front and rear auger belts off the engine pulley. See Figure 20.

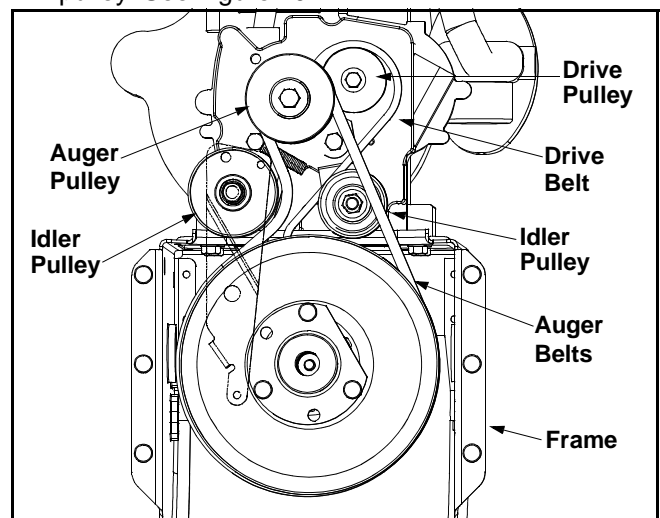
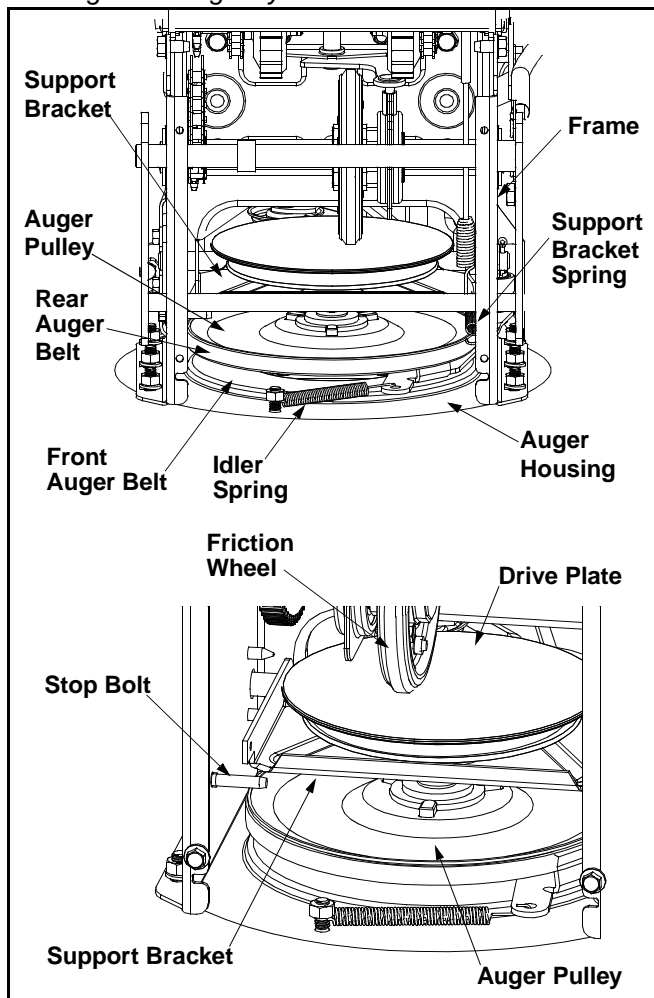


Figure 20

- Unhook the idler spring from the hex bolt on the auger housing. See Figure 21.
- Back out the stop bolt until the support bracket rests on the auger pulley.

**NOTE:** Loosening the six nuts that connect the frame to the auger housing may aid in belt removal.



**Figure 21**

- Lift the auger belt from the auger pulley and slip belt between the support bracket and the auger pulley. Repeat this step for the front auger belt. See Figure 21.
- Replace the auger drive belts by following instructions in reverse order.

#### Drive Belt

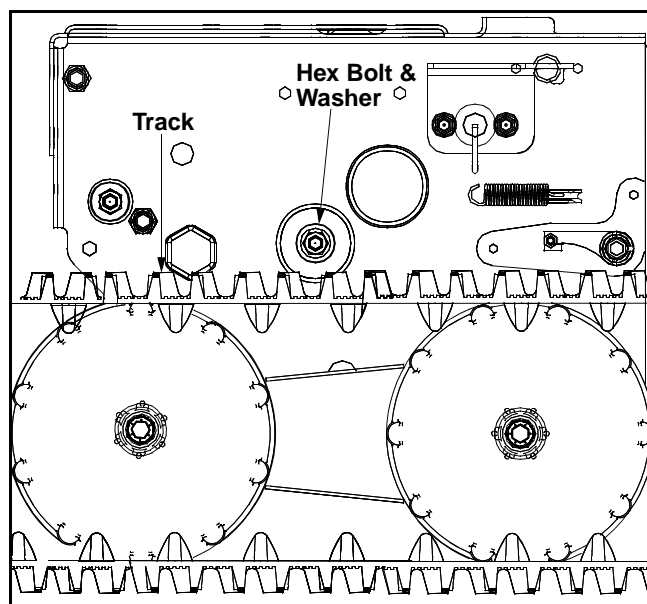
- Follow the first four steps of the instructions for servicing the auger belts.
- Pull the idler pulley up and lift the belt off the engine pulley and friction wheel disc. See Figure 20.
- Back out the stop bolt until the support bracket rests on the auger pulley.
- Slip the belt between the friction wheel and drive disc. Remove and replace the belt. Reassemble following the instructions in reverse order.

**NOTE:** The support bracket must rest on the stop bolt after the new belt has been assembled.

## Servicing Friction Wheel Rubber

The rubber on the friction wheel is subject to wear and should be checked after 25 hours of operation, and periodically thereafter. Replace the friction wheel rubber if any signs of wear or cracking are found.

- Drain the gasoline from the snow thrower.
- Tip the snow thrower up and forward, so that it rests on the housing.
- Remove six self-tapping screws from the frame cover underneath the snow thrower.
- Remove the click pins which secure the wheels, and remove the wheels from the axle.
- Using a 7/8" wrench to hold the shaft, loosen, but do not completely remove, the hex bolt and bell washer on the left end of gear shaft. See Figure 22.



**Figure 22**

- Lightly tap the hex nut to dislodge the ball bearing from the right side of frame before removing the hex nut and bell washer from left end of shaft.
- Move the gear shaft to the right and slide the friction wheel assembly from the shaft. See Figure 23.
- Remove the six screws from the friction wheel assembly (three from each side). Remove the friction wheel rubber from between the friction wheel plates. See Figure 23.
- Reassemble new friction wheel rubber to the friction wheel plates and hub, tightening the six screws in rotation and with equal force.
- Position the friction wheel assembly up onto the pin of the shift rod assembly, and slide the shaft through the assembly. Reassemble in reverse order.



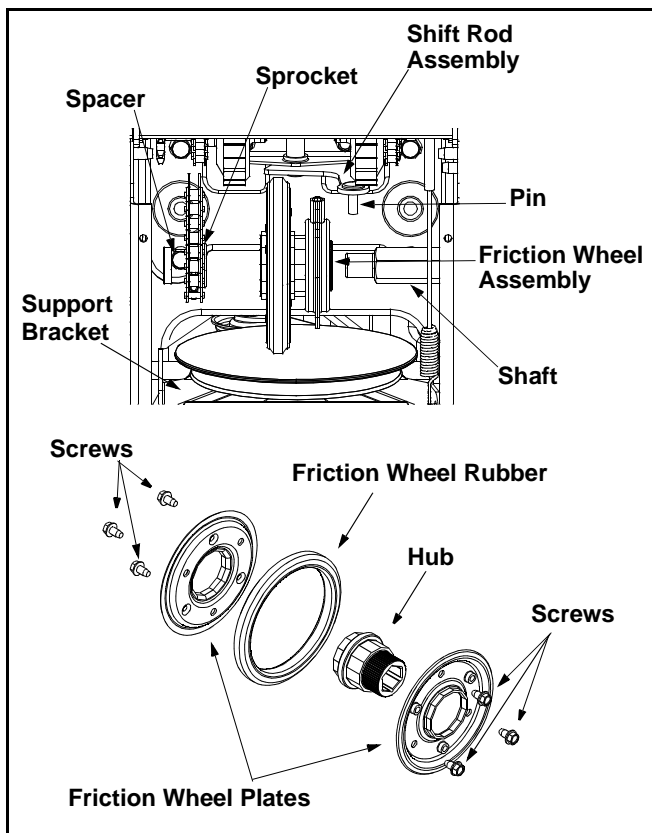


Figure 23

## Off-season Storage



**WARNING:** Never store the machine or fuel container indoors where there is an open flame, spark, or pilot light such as on water heater, furnace, clothes dryer, or other gas appliance.



**WARNING:** Drain fuel into an approved container outdoors, away from an open flame. Allow engine to cool. Extinguish cigarettes, cigars, pipes, and other sources of ignition prior to draining fuel. Fuel left in engine for extended periods deteriorates and will cause starting problems.

If unit is to be stored over 30 days, prepare for storage as follows:

- Remove gasoline from carburetor and fuel tank to prevent gum deposits from forming on these parts and causing possible malfunction of engine.
- Run engine until fuel tank is empty and engine stops due to lack of fuel.
- Drain carburetor by pressing upward on bowl drain, located below the carburetor cover.

**NOTE:** Fuel stabilizer is an acceptable alternative in minimizing the formation of fuel gum deposits during storage. Do not drain carburetor if using fuel stabilizer.

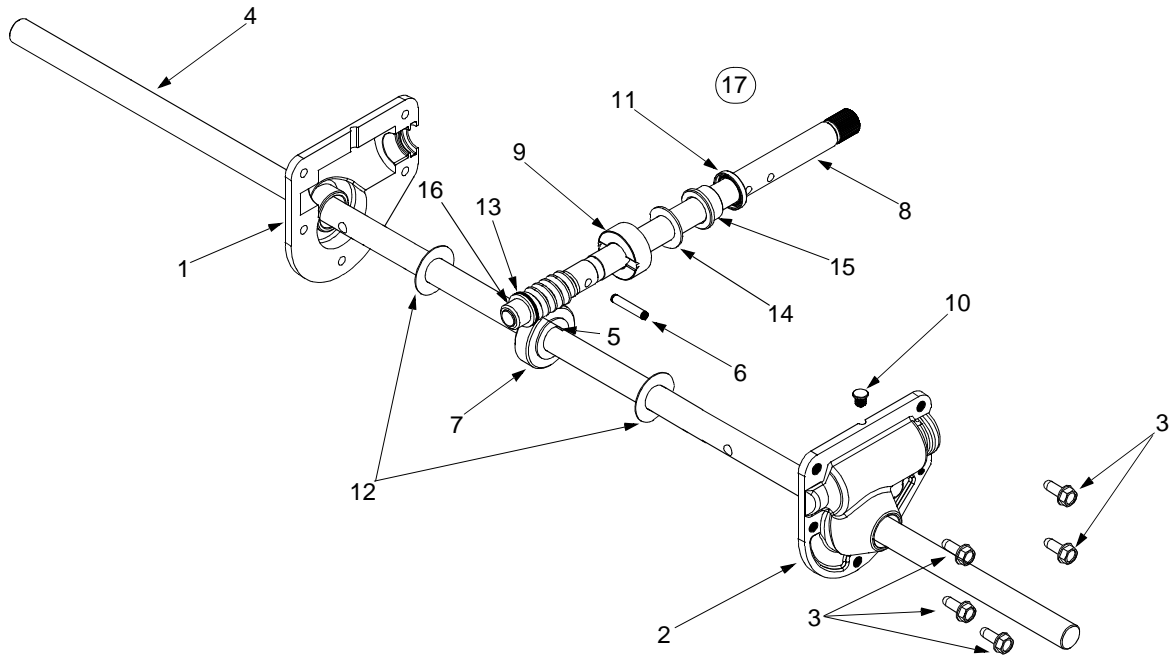
- Wipe equipment with an oiled rag to prevent rust.
- Remove spark plug and pour one ounce of engine oil through spark plug hole into cylinder. Cover spark plug hole with rag. Crank engine several times to distribute oil. Replace spark plug.
- Follow the lubrication recommendations found in the Maintenance Section.
- Always store the snow thrower in a clean, dry area.

*When storing any type of power equipment in an unventilated or metal storage shed, care should be taken to rust proof the equipment. Using a light oil or silicone, coat the equipment, especially any chains, springs, bearings and cables.*

## SECTION 9: TROUBLESHOOTING

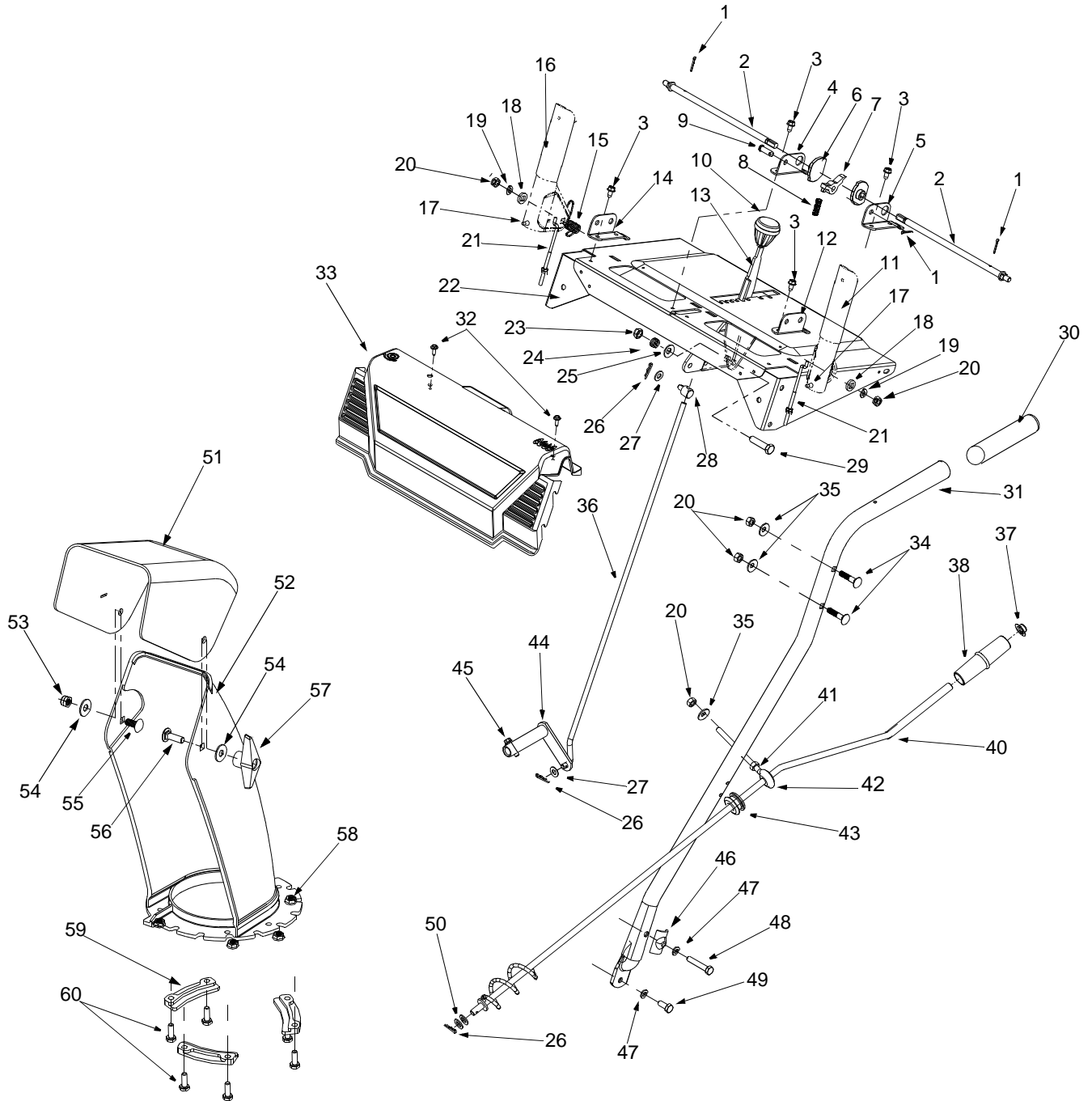
Problem	Cause	Remedy
Engine fails to start	<ol style="list-style-type: none"> <li>1. Fuel tank empty, or stale fuel.</li> <li>2. Blocked fuel line.</li> <li>3. Choke not in the ON position</li> <li>4. Faulty spark plug.</li> <li>5. Safety key not in ignition switch on engine.</li> <li>6. Spark plug wire disconnected.</li> <li>7. Primer button not being used properly.</li> <li>8. Fuel shut-off valve closed.</li> </ol>	<ol style="list-style-type: none"> <li>1. Fill tank with clean, fresh gasoline. Fuel becomes stale after thirty days.</li> <li>2. Clean the fuel line.</li> <li>3. Move switch to the ON position</li> <li>4. Clean, adjust gap or replace.</li> <li>5. Insert the key fully into the switch.</li> <li>6. Connect spark plug wire.</li> <li>7. Refer to the engine manual.</li> <li>8. Open fuel shut-off valve.</li> </ol>
Engine runs erratic	<ol style="list-style-type: none"> <li>1. Unit running on CHOKE.</li> <li>2. Blocked fuel line or stale fuel.</li> <li>3. Water or dirt in the fuel system.</li> </ol>	<ol style="list-style-type: none"> <li>1. Move the choke lever to OFF position.</li> <li>2. Clean the fuel line; fill the tank with clean, fresh gasoline.</li> <li>3. Drain the fuel tank and carburetor. Refill with fresh fuel.</li> </ol>
Loss of power	<ol style="list-style-type: none"> <li>1. Spark plug wire loose.</li> <li>2. Gas cap vent hole plugged.</li> </ol>	<ol style="list-style-type: none"> <li>1. Connect and tighten spark plug wire.</li> <li>2. Remove ice and snow from gas cap. Be certain vent hole is clear.</li> </ol>
Excessive vibration	<ol style="list-style-type: none"> <li>1. Loose parts or damaged auger.</li> </ol>	<ol style="list-style-type: none"> <li>1. Stop the engine immediately and disconnect the spark plug wire. Tighten all bolts and nuts. If vibration continues, have the unit serviced by an authorized service dealer.</li> </ol>
Unit fails to propel itself	<ol style="list-style-type: none"> <li>1. Traction control cable in need of adjustment.</li> <li>2. Drive belt loose or damaged.</li> </ol>	<ol style="list-style-type: none"> <li>1. Adjust traction control cable. Refer to Making Adjustment Section.</li> <li>2. Replace drive belt. Refer to the Service Section.</li> </ol>
Unit fails to discharge snow	<ol style="list-style-type: none"> <li>1. Discharge chute clogged.</li> <li>2. Shear bolt sheared.</li> <li>3. Foreign object lodged in auger.</li> <li>4. Auger control cable in need of adjustment.</li> <li>5. Auger belt loose or damaged.</li> <li>6. Shear bolt(s) sheared.</li> </ol>	<ol style="list-style-type: none"> <li>1. Stop engine and disconnect spark plug wire. Clean discharge chute and inside of auger housing.</li> <li>2. Replace shear bolt.</li> <li>3. Stop engine immediately and disconnect spark plug wire. Remove object from auger.</li> <li>4. Adjust auger control cable. Refer to the Making Adjustments Section.</li> <li>5. Refer to Service Section.</li> <li>6. Replace shear bolt(s).</li> </ol>

# Model E740F



Ref. No.	Part No.	Part Description
1.	618-0123	RH Housing
2.	618-0124	LH Housing
3.	710-0642	Self Tapping Screw, 1/4-20 x .75
4.	711-0909A	Spiral Axle 26"
5.	714-0161	Hi-Pro Key, 3/16 x 5/8
6.	715-0143	Spring Spiral Pin, .25 x 1.25
7.	717-0528	Worm Gear, 20-tooth
8.	717-0526	Worm Shaft
9.	718-0186	Thrust Collar
10.	721-0325	Grease Plug
11.	721-0327	Grease Seal
12.	736-0351	Flat Washer, .76 x 1.5 x .030
13.	736-0369	Flat Washer, .508 x 1.0 x .020
14.	736-0445	Flat Washer, .76 x 1.5 x .060
15.	741-0662	Flange Bearing, .75 x 1.0 x .59
16.	741-0663	Flange Bearing, .503 ID x .75 OD
17.	618-0121A	Gear Assembly Complete, 26"

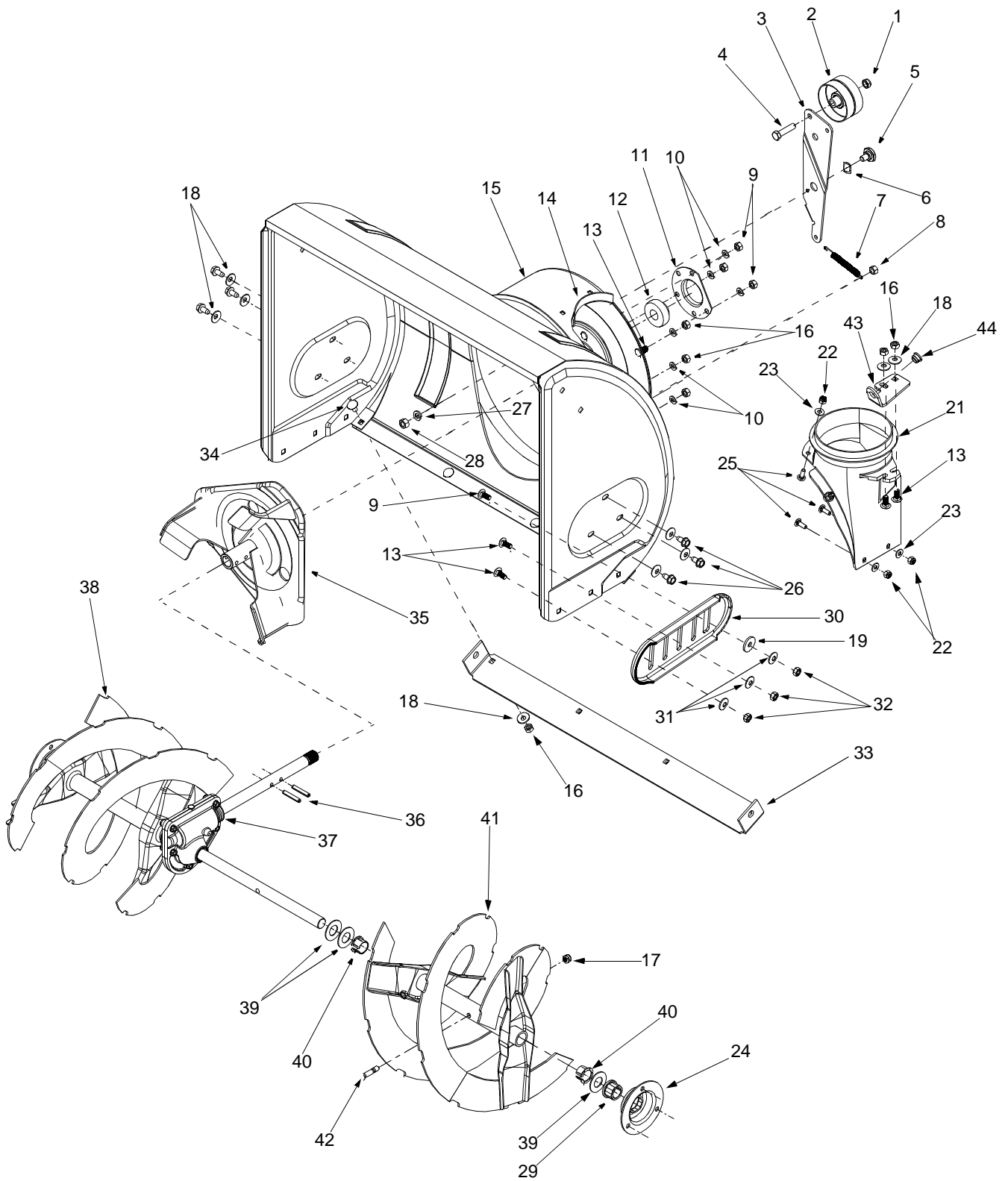
# Model E740F



# Model E740F

Ref. No.	Part No.	Description	Ref. No.	Part No.	Description
1.	714-0507	Cotter Pin		749-0911B	Handle — LH
2.	747-0877	Rod	32.	710-1003	Hex Washer Screw
3.	710-0599	Hex Washer Screw 1/4-20 x .5	33.	731-1391	Handle Panel
4.	784-5680	Handle Support Bracket — RH		731-1393	Handle Panel w/ Top Light
5.	784-5679	Handle Support Bracket — LH	34.	710-0262	Carriage Bolt 5/16-18 x 1.50
6.	748-0362	Cam Lock Handle	35.	736-0242	Bell Washer .340 ID x .872 OD
7.	748-0363	Handle Lock Pawl	36.	747-0798A	Shift Rod
8.	732-0145	Compression Spring	37.	726-0100	Push Cap
9.	711-0653	Clevis Pin	38.	720-0201A	Chute Directional Control Knob
10.	720-0232	Knob	40.	705-5204A	Chute Directional Control Assembly
11.	684-0037A	Handle Assy — LH	41.	712-3010	Hex Nut 5/16 - 18
12.	784-5681	Handle Support Bracket — LH	42.	747-0697	Chute Directional Control Eyebolt
13.	784-5619A	Shift Handle	43.	735-0234	Rubber Grommet
14.	784-5682	Handle Support Bracket — RH	44.	684-0008A	Shift Arm Assembly
15.	732-0746	Torsion Spring	45.	710-0788	Hex Washer Screw 1/4-20 x 1.0
16.	684-0036	Handle Assy — RH	46.	784-5599	Handle Tab
17.	735-0199A	Rubber Bumper	47.	736-0119	Lock Washer 5/16
18.	736-0509	Washer	48.	710-3180	Hex Cap Screw 5/16-18 x 1.75
19.	736-0119	Lock Washer 5/16	49.	710-3008	Hex Cap Screw 5/16-18 x .75
20.	712-3010	Hex Nut 5/16-18	50.	736-0185	Flat Washer
21.	746-0778	Cable	51.	731-0921	Upper Chute
22.	684-0103	Panel	52.	731-1300A	Lower Chute
23.	712-0116	Jam Lock Nut 3/8-24	53.	712-0429	Hex Lock Nut 5/16-18
24.	732-0193	Compression Spring	54.	736-0159	5/16 Washer
25.	736-0105	Bell Washer	55.	710-0451	Carriage Bolt 5/16-18 x .75
26.	714-0104	Cotter Pin	56.	710-0276	Carriage Screw 5/16-18 x 1.0
27.	736-0275	Flat Washer 5/16	57.	720-0284	Knob
28.	711-0677	Ferrule	58.	712-3027	Hex Lock Nut 1/4-20
29.	710-0459A	Hex Cap Screw 3/8-24 x 1.50	59.	731-0851A	Flange Keeper
30.	720-0274	Grip	60.	710-3015	Hex Cap Screw 1/4-20 x .75
31.	749-0910B	Handle RH			

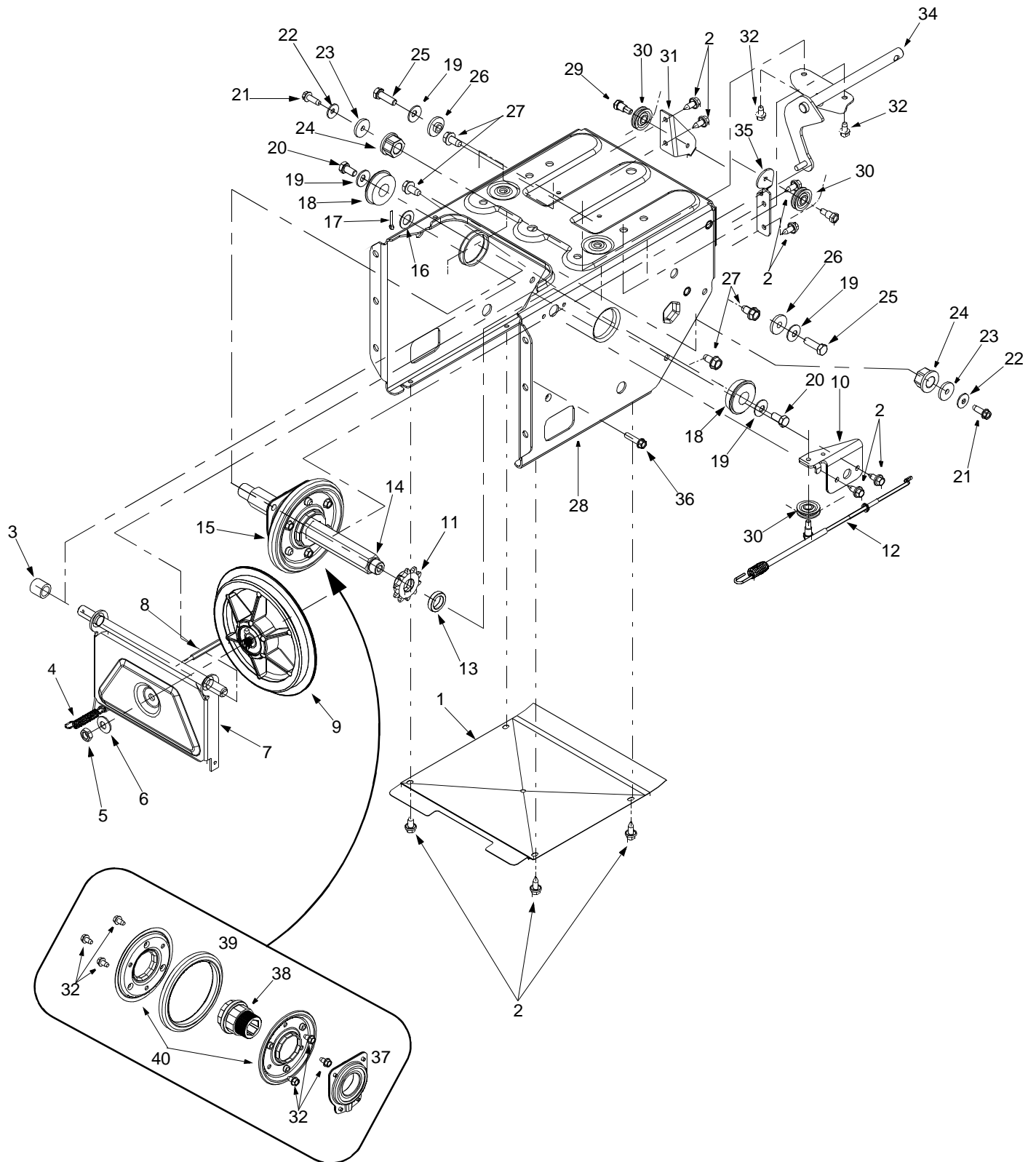
# Model E740F



# Model E740F

Ref. No.	Part No.	Part Description	Ref. No.	Part No.	Part Description
1.	712-0116	Lock Jam Nut 3/8-24	24.	784-5618	Bearing Housing
2.	756-0178	Flat Idler	25.	710-0703	Carriage Screw 1/4-20 x .75
3.	784-5632A	Auger Idler Arm	26.	710-0604	Hex Screw 5/16-18
4.	710-0459A	Hex Cap Screw 3/8-24 x 1.50	27.	736-0169	Lock Washer 3/8
5.	738-0281	Shoulder Screw	28.	712-0798	Hex Nut 3/8-16
6.	736-0167	Flat Washer .656 ID x 1.25 OD	29.	741-0245	Hex Flange Bearing
7.	732-0611	Extension Spring	30.	784-5580	Skid Shoe
8.	712-3068	Hex Nut 5/16-18	31.	736-0242	Bell Washer
9.	710-0276	Carriage Bolt, 5/16-18 x 1.00	32.	712-3010	Hex Nut 5/16-18
10.	736-0119	Lock Washer 5/16	33.	784-5579A	Shave Plate
11.	05931A	Housing	34.	710-0451	Carriage Bolt 5/16-18 x 1.00
12.	741-0309	Ball Bearing	35.	684-0065	Impeller Assembly
13.	710-0451	Carriage Bolt, 5/16-18 x .75	36.	715-0114	Pin
14.	705-5226	Chute Reinforcement	37.	618-0121A	26" Gear Assembly
15.	684-0040C	26" Housing Assy	38.	605-5192A	26" Spiral RH
16.	712-3010	Hex Nut 5/16-18	39.	736-0188	Flat Washer
17.	712-0429	Lock Nut 5/16-18	40.	741-0493A	Flange Bushing
18.	736-0242	Belleville Washer	41.	605-5193A	26" Spiral LH
19.	736-0231	Flat Wshr, .344ID x 1.125 OD	42.	710-0890A	Shear Bolt 5/16-18 x 1.5
21.	731-1379B	Chute Adapter	43.	784-5647	Chute Crank Bracket
22.	712-0324	Hex Lock Nut 1/4-20	44.	741-0475	Bushing
23.	736-0463	Flat Washer			

# Model E740F

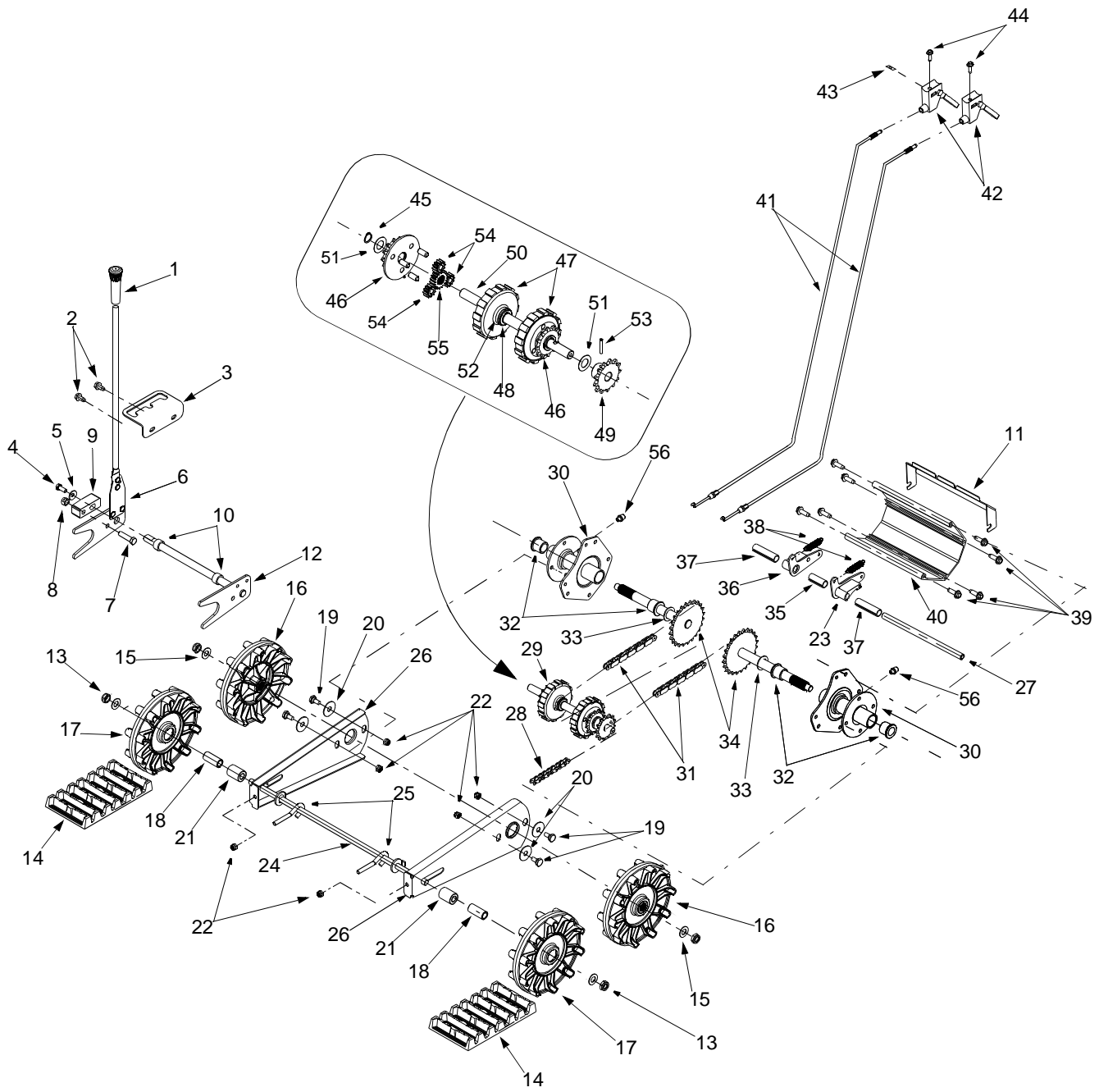




# Model E740F

Ref. No.	Part No.	Part Description	Ref. No.	Part No.	Part Description
1.	784-5648	Frame Cover	21.	710-0857	Tap Screw 1/4-20 x .75
2.	710-1652	Tap Screw 1/4-20 x .625	22.	736-0270	Bell Washer .265 ID x .75 OD
3.	748-0190	Spacer .508 ID x .75 OD	23.	736-0176	Flat Washer 1/4 ID x .93 OD
4.	732-0264	Extension Spring	24.	741-1111	Hex Flange Bearing
5.	712-0711	Jam Nut 3/8-24	25.	710-0643	Hex Cap Screw 5/16-18 x 1"
6.	736-0105	Bell Washer .401 ID x .87 OD	26.	748-0234	Shoulder Spacer
7.	684-0021	Friction Whl Support Bracket	27.	710-0604	Tap Screw 5/16-18 x .625
8.	746-0898	Drive Cable 39.88"	28.	684-0031	Frame Assembly
9.	656-0012A	Friction Disc	29.	738-0924	Hex Screw 1/4-28 x .375
10.	784-5689A	Front Support Guide Bracket	30.	756-0625	Cable Roller
11.	713-0413	10T Sprocket	31.	784-5688	Drive Cable Guide Bracket
12.	746-0897	Auger Cable 44.75"	32.	710-0599	Tap Screw 1/4-20 x .5
13.	750-0997	Spacer .675 ID x 1" OD	33.	784-5590	Shift Frame Bracket
14.	711-1042	Hex Track Shaft	34.	684-0014B	Shift Rod Assembly
15.	684-0042C	Friction Wheel Assembly	35.	784-5687A	Auger Cable Guide Bracket
16.	736-0160	Flat Washer .536 ID x .93 OD	36.	710-0809	Tap Screw 1/4-20 x 1.250
17.	714-0474	Cotter Pin	37.	618-0063A	Friction Wheel Bearing
18.	741-0563	Ball Bearing	38.	718-0301A	Friction Wheel Hub
19.	736-0242	Bell Washer .34 ID x .872 OD	39.	735-0243	Friction Wheel Rubber
20.	710-0538	Hex Cap Screw 5/16-18 x .625	40.	784-5617A	Friction Plate

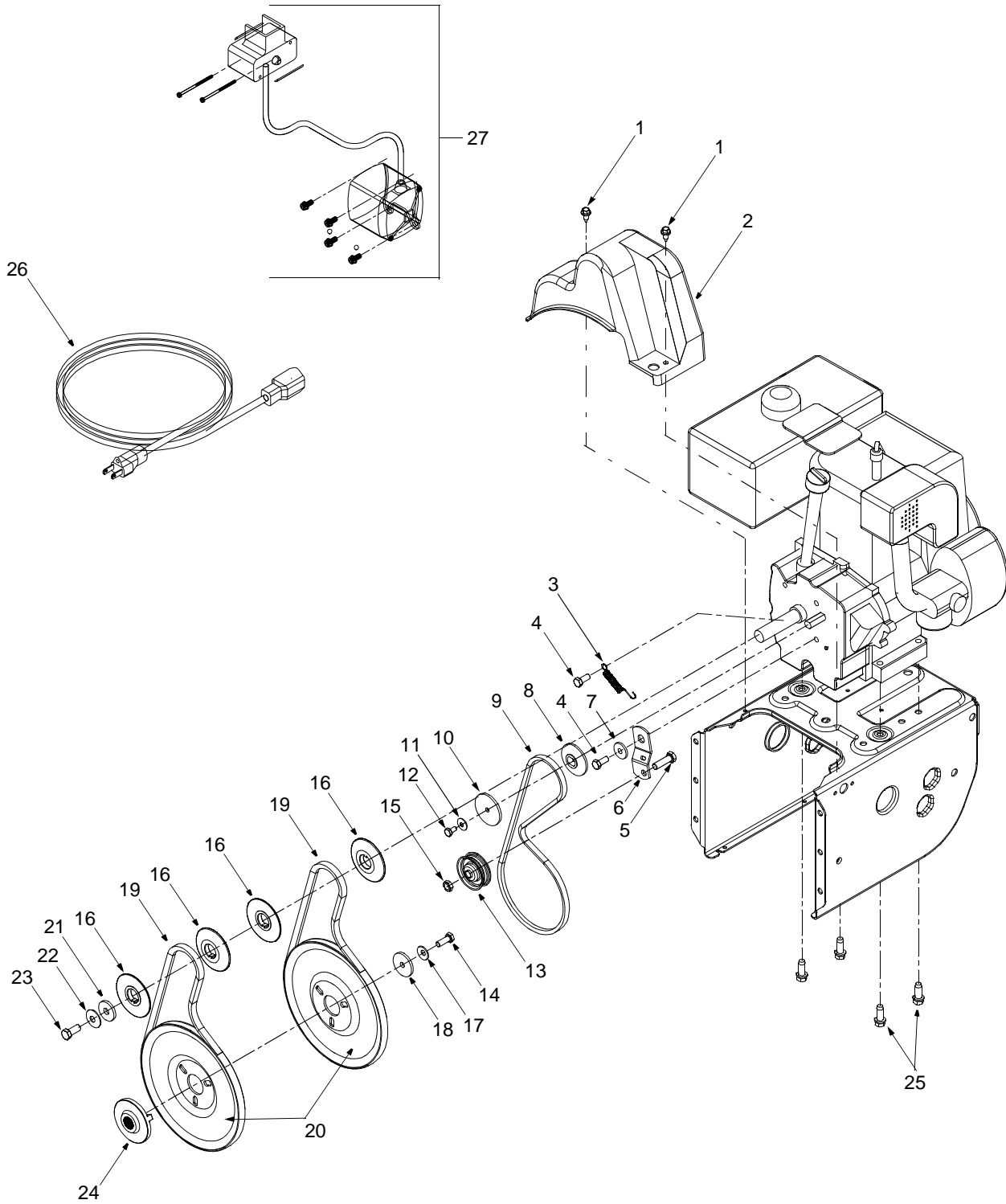
# Model E740F



# Model E740F

Ref. No.	Part No.	Part Description	Ref. No.	Part No.	Part Description
1.	720-0223	Grip	29.	618-0169	Track/Steering Shaft Assy
2.	710-0604	Tap Screw, 5/16-18 x .625	30.	683-0024	Track Hub Assembly
3.	784-5642	Track Lockout Plate	31.	713-0437	Chain
4.	710-0157	Hex Cap Screw, 5/16-24 x .75	32.	741-0339	Flange Bearing
5.	736-0242	Bell Washer, .34 ID x .872 OD	33.	736-0287	Flat Washer, .793 x 1.24 x .06
6.	684-0038	Track Lock Handle Assembly	34.	611-0053	Axle Assembly
7.	710-0459A	Hex Cap Screw, 3/8-24 x 1.5	35.	750-0904	Spacer, .514 x .630 x 1.59
8.	712-0214	Hex Nut, 3/8-24	36.	618-0043	RH Dogg Assembly
9.	748-0353A	Lift Shaft Drive	37.	750-0903	Spacer, .514 x .630 x 2.44
10.	750-0547	Spacer, .628 ID x .875 OD x .5	38.	732-0209	Extension Spring
11.	784-5609	Steering Cable Bracket	39.	710-0602	Tap Screw, 5/16-18 x 1
12.	684-0009	Track Pivot Rod Assembly	40.	719-0295A	Track Housing
13.	712-0346	Jam Nut, 1/2-20	41.	746-0948	Steering Cable
14.	731-1292	Snow Track	42.	746-0950	Steering Trigger
15.	736-0272	Flat Washer, .5 x 1 x .06	43.	712-0127	Flange Nut
16.	731-1538A	Track Drive Wheel	44.	710-1233	Screw, #10-24 x 1.375
17.	631-0032	Track Idler Wheel	45.	716-0114	Retaining Ring
18.	750-0995	Spacer, .51 ID x .75 OD x 1.67	46.	618-0046	Carrier Assembly
19.	738-0140	Screw, .435 x .178-5/16 x .56	47.	717-1211	Ring Gear
20.	736-0406	Flat Washer, .442 x 1.38 x .06	48.	716-0115	Retaining Ring
21.	750-0909	Spacer, .51 ID x 1 OD x 1.34	49.	713-0414	13-Tooth Sprocket
22.	712-0429	Hex Nut, 5/16-18	50.	711-0912	Track Steering Drive Shaft
23.	618-0044	LH Dogg Assembly	51.	736-0502	Flat Washer, .58 x 1.06 x .02
24.	684-0024	Idler Axle Assembly	52.	736-0336	Flat Washer, 5/8 x 1 x .03
25.	710-1231	Eye Bolt, 5/16-18 x 3	53.	715-0120	Spiral Pin, 3/16 x 1
26.	784-5639	Track Side Plate	54.	717-1209	12-Tooth Gear
27.	711-0911	Actuator Shaft	55.	717-1210	18-Tooth Gear
28.	713-0233	Chain			

# Model E740F



# Model E740F

Ref. No.	Part No.	Part Description
1.	710-1652	Hex Washer Screw 1/4-20 x .625
2.	731-1324	Belt Cover
3.	732-0710	Extension Spring
4.	710-0627	Hex Screw 5/16-24 x .75
5.	710-3005	Hex Cap Screw 3/8-16 x 1.25
6.	05896A	Drive Clutch Idler Bracket
7.	748-0234	Shoulder Spacer
8.	756-0985	Pulley Half
9.	754-0346	V-Belt
10.	756-0984	Pulley Half
11.	736-0270	Bell Washer
12.	710-0230	Hex Cap Screw 1/4-28 x .50
13.	756-0313	Flat Idler
14.	710-1245	Lock Hex Cap Screw 5/16-24
15.	712-0181	Lock Jam Nut 3/8-16
16.	756-0569	Pulley Half
17.	736-0242	Bell Washer
18.	736-0505	Flat Washer
19.	754-0430A	Belt
20.	756-0967	Auger Pulley
21.	736-0247	Flat Washer 3/8 x 1.25 OD
22.	736-0331	Bell Washer
23.	710-0696	Hex Cap Screw 3/8-24
24.	748-0360	Adapter Pulley
25.	710-0654A	Hex Screw 3/8-16 x 1.0
26.	629-0071	Extension Cord
27.	OEM-390-987	Electric Start Kit

**IMPORTANT:** For a proper working machine, use Factory Approved Parts.

**V-BELTS** are specially designed to engage and disengage safely. A substitute (non OEM) V-Belt can be dangerous by not disengaging completely

# Notes



# MANUFACTURER'S LIMITED WARRANTY FOR:



The limited warranty set forth below is given by MTD PRODUCTS INC ("MTD") with respect to new merchandise purchased and used in the United States, its possessions and territories.

MTD warrants this product against defects in material and workmanship for a period of two (2) years commencing on the date of original purchase and will, at its option, repair or replace, free of charge, any part found to be defective in material or workmanship. This limited warranty shall only apply if this product has been operated and maintained in accordance with the Operator's Manual furnished with the product, and has not been subject to misuse, abuse, commercial use, neglect, accident, improper maintenance, alteration, vandalism, theft, fire, water or damage because of other peril or natural disaster. Damage resulting from the installation or use of any accessory or attachment not approved by MTD Products Inc. for use with the product(s) covered by this manual will void your warranty as to any resulting damages.

Normal wear parts or components thereof are subject to separate terms as follows: All normal wear part or component failures will be covered on the product for a period of 90 days regardless of cause. After 90 days, but within the two year period, normal wear part failures will be covered ONLY IF caused by defects in material or workmanship of OTHER component parts. Normal wear parts and components include, but are not limited to, belts, blades, blade adapters, grass bags, rider deck wheels, seats, snow thrower skid shoes, shave plates and tires. Batteries are covered by a 90-day limited replacement warranty.

**HOW TO OBTAIN SERVICE:** Warranty service is available, WITH PROOF OF PURCHASE THROUGH YOUR LOCAL AUTHORIZED SERVICE DEALER. To locate the dealer in your area, please check for a listing in the Yellow Pages or contact the Customer Service Department of MTD PRODUCTS INC by calling 1-800-800-7310 or writing to P.O. Box 368022, Cleveland, Ohio 44136-9722.

**This limited warranty does not provide coverage in the following cases:**

- a. The engine or component parts thereof. These items carry a separate manufacturer's warranty. Please refer to the applicable manufacturer's warranty on these items.
- b. Log splitter pumps, valves and cylinders have a separate one year warranty.

c. Routine maintenance items such as lubricants, filters, blade sharpening and tune-ups, or adjustments such as brake adjustments, clutch adjustments or deck adjustments; and normal deterioration of the exterior finish due to use or exposure.

d. MTD does not extend any warranty for products sold or exported outside of the United States of America, its possessions and territories, except those sold through MAD's authorized channels of export distribution.

**No implied warranty, including any implied warranty of merchantability or fitness for a particular purpose, applies after the applicable period of express written warranty above as to the parts as identified. No other express warranty or guaranty, whether written or oral, except as mentioned above, given by any person or entity, including a dealer or retailer, with respect to any product shall bind MTD. During the period of the Warranty, the exclusive remedy is repair or replacement of the product as set forth above.** (Some states do not allow limitations on how long an implied warranty lasts, so the above limitation may not apply to you.)

**The provisions as set forth in this Warranty provide the sole and exclusive remedy arising from the sales. MTD shall not be liable for incidental or consequential loss or damages including, without limitation, expenses incurred for substitute or replacement lawn care services, for transportation or for related expenses, or for rental expenses to temporarily replace a warranted product.** (Some states do not allow the exclusion or limitation of incidental or consequential damages, so the above exclusion or limitation may not apply to you.)

In no event shall recovery of any kind be greater than the amount of the purchase price of the product sold. Alteration of the safety features of the product shall void this Warranty. You assume the risk and liability for loss, damage, or injury to you and your property and/or to others and their property arising out of the use or misuse or inability to use the product.

This limited warranty shall not extend to anyone other than the original purchaser, original lessee or the person for whom it was purchased as a gift.

**How State Law Relates to this Warranty:** This limited warranty gives you specific legal rights, and you may also have other rights which vary from state to state.



## Free Manuals Download Website

<http://myh66.com>

<http://usermanuals.us>

<http://www.somanuals.com>

<http://www.4manuals.cc>

<http://www.manual-lib.com>

<http://www.404manual.com>

<http://www.luxmanual.com>

<http://aubethermostatmanual.com>

Golf course search by state

<http://golfingnear.com>

Email search by domain

<http://emailbydomain.com>

Auto manuals search

<http://auto.somanuals.com>

TV manuals search

<http://tv.somanuals.com>