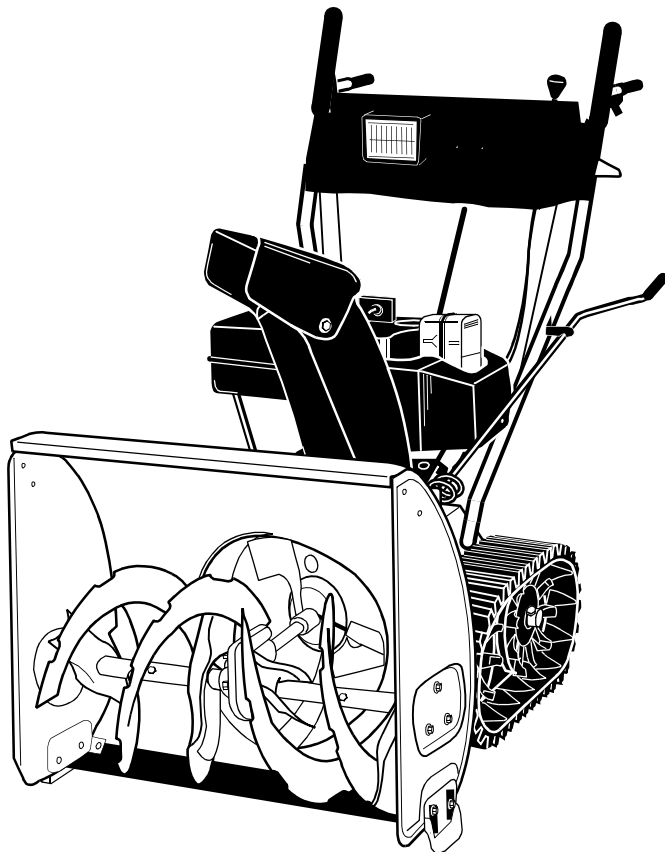




# OPERATOR'S MANUAL



**MODEL  
E762F**



## **IMPORTANT: READ SAFETY RULES AND INSTRUCTIONS CAREFULLY**

**Warning:** This unit is equipped with an internal combustion engine and should not be used on or near any unimproved forest-covered, brush-covered or grass-covered land unless the engine's exhaust system is equipped with a spark arrester meeting applicable local or state laws (if any). If a spark arrester is used, it should be maintained in effective working order by the operator. In the State of California the above is required by law (Section 4442 of the California Public Resources Code). Other states may have similar laws. Federal laws apply on federal lands. A spark arrester for the muffler is available through your nearest engine authorized service dealer or contact the service department, P.O. Box 368022 Cleveland, Ohio 44136-9722.

**MTD PRODUCTS INC. P.O. BOX 368022 CLEVELAND, OHIO 44136-9722**

PRINTED IN U.S.A.

FORM NO. 770-10033A  
(7/99)

---

## SECTION 1: FINDING YOUR MODEL NUMBER

This Operator's Manual is an important part of your new snow thrower. It will help you assemble, prepare and maintain your snow thrower. Please read and understand what it says.

Before you start to prepare your snow thrower for its first use, please locate the model plate and copy the information from it in this Operator's Manual. The information on the model plate is very important if you need help from your dealer or the MTD Customer Support Department.

- Every snow thrower has a model plate. You can locate it by standing behind the unit in the operating position and looking down at the frame cover.
- The model plate will look like Figure 1.

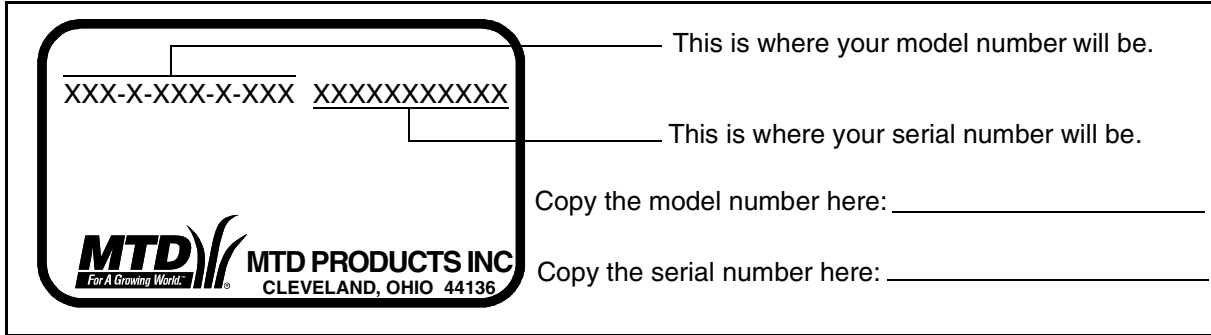


Figure 1

---

## SECTION 2: CALLING CUSTOMER SUPPORT

- **LOCATE YOUR MODEL AND SERIAL NUMBER** — Record this information in the space provided. To find your unit's specific model number and serial number, see SECTION 1: FINDING YOUR MODEL NUMBER.
- If you are having difficulty assembling this product or if you have any questions regarding the controls, operation or maintenance of this unit, please call the Customer Support Department.
- Customer Support can be reached by dialing: **1- (330) 220-4MTD (4683)**

or  
**1- 800-800-7310**

- Please have your model number and serial number ready when you call.
- Although both numbers are important, you will be asked to enter only your **serial** number before your call can be processed.

---

## SECTION 3: IMPORTANT SAFE OPERATION PRACTICES



**WARNING:** THIS SYMBOL POINTS OUT IMPORTANT SAFETY INSTRUCTIONS WHICH, IF NOT FOLLOWED, COULD ENDANGER THE PERSONAL SAFETY AND/OR PROPERTY OF YOURSELF AND OTHERS. READ AND FOLLOW ALL INSTRUCTIONS IN THIS MANUAL BEFORE ATTEMPTING TO OPERATE YOUR SNOW THROWER. FAILURE TO COMPLY WITH THESE INSTRUCTIONS MAY RESULT IN PERSONAL INJURY. WHEN YOU SEE THIS SYMBOL- HEED ITS WARNING.



**WARNING:** The Engine Exhaust from this product contains chemicals known to the State of California to cause cancer, birth defects or other reproductive harm.



**DANGER:** Your snow thrower was built to be operated according to the rules for safe operation in this manual. As with any type of power equipment, carelessness or error on the part of the operator can result in serious injury. If you violate any of these rules, you may cause serious injury to yourself or others.

### 1. TRAINING

- Read this operator's manual carefully in its entirety before attempting to assemble or operate this machine. Be completely familiar with the controls and the proper use of this machine before operating it. Keep this manual in a safe place for future and regular reference and for ordering replacement parts.
- Never allow children under 14 years old to operate a snow thrower. Children 14 years old and over should only operate snow thrower under close parental supervision. Only persons well acquainted with these rules of safe operation should be allowed to use your snow thrower.
- No one should operate this unit while intoxicated or while taking medication that impairs the senses or reactions.
- Keep the area of operation clear of all persons, especially small children and pets.
- Exercise caution to avoid slipping or falling, especially when operating in reverse.
- Before working with gasoline, extinguish all cigarettes and other sources of ignition. Check the fuel before starting the engine. Gasoline is an extremely flammable fuel. Do not fill the gasoline tank indoors, while the engine is running, or until engine has been allowed to cool at least two minutes. Replace gasoline cap securely and wipe off any spilled gasoline before starting the engine as it may cause a fire or explosion.
- Use a grounded three wire plug-in for all units with electric drive motors or electric starting motors.
- Adjust collector housing height to clear gravel or crushed rock surface.
- Never attempt to make any adjustments while engine is running (except where specifically recommended by manufacturer).
- Let engine and machine adjust to outdoor temperature before starting to clear snow.
- Always wear safety glasses or eye shields during operation or while performing an adjustment or repair, to protect eyes from foreign objects that may be thrown from the machine in any direction.

### 2. PREPARATION

- Thoroughly inspect the area where the equipment is to be used and remove all door mats, sleds, boards, wires and other foreign objects.
- Disengage all clutches and shift into neutral before starting engine.
- Do not operate equipment without wearing adequate winter outer garments. Do not wear jewelry, long scarfs or other loose clothing which could become entangled in moving parts. Wear footwear which will improve footing on slippery surfaces.

### 3. OPERATION

- Do not put hands or feet near or under rotating parts. Keep clear of discharge opening and auger at all times.
- Exercise extreme caution when operating on or crossing gravel drives, walks, or roads. Stay alert for hidden hazards or traffic. Do not carry passengers.
- After striking a foreign object, stop the engine, remove wire from spark plug, and thoroughly inspect the snow thrower for any damage. Repair the damage before restarting and operating the snow thrower.

- If the snow thrower should start to vibrate abnormally, stop the engine and check immediately for the cause. Vibration is generally a warning of trouble.
- Stop engine whenever you leave the operating position, before unclogging the collector/impeller housing or discharge guide, and making any repairs, adjustments, or inspections. Never place your hand in the discharge or collector openings. Use a stick or wooden broom handle to unclog the discharge opening.
- Take all possible precautions when leaving the unit unattended. Disengage the collector/impeller, shift into neutral, stop the engine, and remove the key.
- When cleaning, repairing, or inspecting, make certain collector/impeller and all moving parts have stopped. Disconnect spark plug wire and keep away from plug to prevent accidental starting.
- Do not run engine indoors, except when starting engine and transporting snow thrower in or out of building. Open doors. Exhaust fumes are dangerous.
- Do not clear snow across the face of slopes. Exercise extreme caution when changing direction on slopes. Do not attempt to clear steep slopes.
- Never operate snow thrower without guards, plates, or other safety protection devices in place.
- Never operate snow thrower near glass enclosure, automobiles, window wells, drop off, etc., without proper adjustments of snow thrower discharge angle. Keep children and pets away.
- Do not overload machine capacity by attempting to clear snow at too fast a rate.

- Never operate the machine at high transport speeds on slippery surfaces. Look behind and use care when backing.
- Never direct discharge at bystanders or allow anyone in front of unit.
- Disengage power to collector/impeller when transporting or not in use.
- Use only attachments and accessories approved by the manufacturer of snow thrower (such as wheel weights, counter weights, cabs, etc.).
- Never operate the snow thrower without good visibility or light. Always be sure of your footing and keep a firm hold on the handles. Walk, never run.
- Muffler and engine become hot and can cause a burn. Do not touch.

#### 4. MAINTENANCE AND STORAGE

- Check shear bolts, engine mounting bolts, etc., at frequent intervals for proper tightness to be sure equipment is in safe working condition.
- Never store the machine with fuel in the fuel tank inside a building where ignition sources are present, such as hot water and space heaters, clothes dryers, and the like. Allow engine to cool before storing in any enclosure.
- Always refer to operator's manual instructions for important details if snow thrower is to be stored for an extended period.
- Run machine a few minutes after throwing snow to prevent freeze up of collector/impeller.
- Check clutch controls periodically to verify they engage and disengage properly and readjust if necessary. Refer to operator's manual for adjustment instructions.



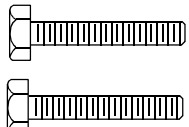
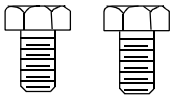
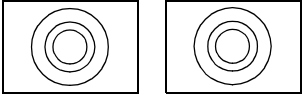
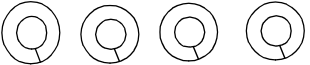
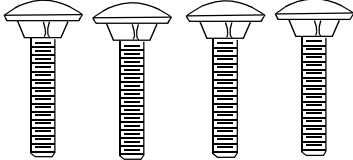
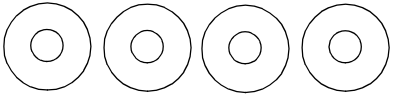
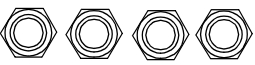

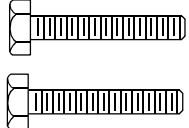

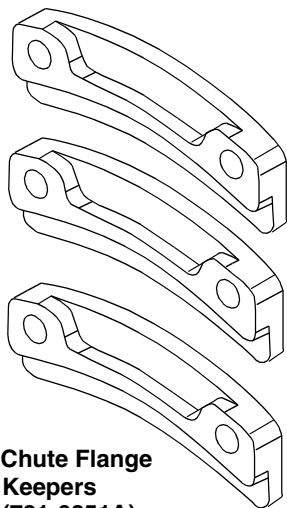
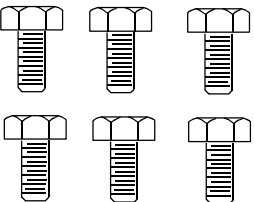
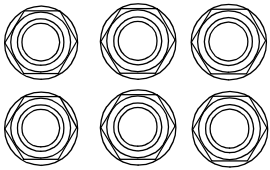
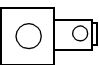
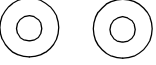
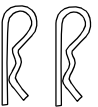

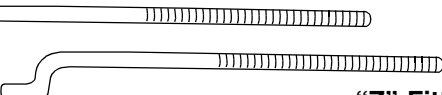


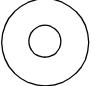
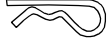
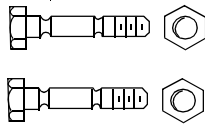
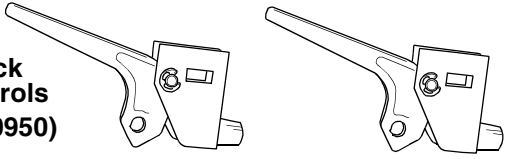
**WARNING - YOUR RESPONSIBILITY:** Restrict the use of this power machine to persons who read, understand and follow the warnings and instructions in this manual and on the machine.

#### Safety labels found on your snow thrower.



## SECTION 4: CONTENTS OF HARDWARE PACK

Lay out the hardware according to the illustration for identification purposes. Part numbers are shown in parentheses. (Hardware pack may contain extra items which are not used on your unit.)

<p><b>A ATTACHING THE HANDLES AND CLUTCH GRIPS</b></p>  <p><b>Hex Bolts</b> 5/16-18 x 1-3/4" (710-3180)</p>  <p><b>Hex Bolts</b> 5/16-18 x 3/4" (710-3008)</p> <p><b>Saddles</b> (784-5599)</p>  <p><b>Lock Washers</b> 5/16" I.D. (736-0119)</p>  <p><b>Carriage Bolts</b> 5/16-18 x 1-1/2" (710-0262)</p>  <p><b>Cupped Washers</b> 5/16" I.D. (736-0242)</p>  <p><b>Hex Nuts</b> 5/16"-18 (712-3010)</p>  <p><b>Spacers</b> (750-1032)</p>  <p><b>Hex Bolts</b> 5/16-18 x 2" (710-3103)</p>  <p><b>Hex Lock Nuts</b> 5/16"-18 (712-0429)</p> 	<p><b>C ATTACHING THE CHUTE ASSEMBLY</b></p>  <p><b>Chute Flange Keepers</b> (731-0851A)</p>  <p><b>Hex Bolts</b> (710-3015) 1/4-20 x 3/4"</p>  <p><b>Hex Lock Nuts</b> 1/4"-20 (712-3027)</p>
<p><b>B ATTACHING THE SHIFT ROD AND CONTROL CABLES</b></p>  <p><b>Ferrule</b> (711-0677)</p>  <p><b>Flat Washers</b> 3/8" I.D. x 5/8" O.D. (736-0275)</p>  <p><b>Hair Pin Clip</b> (714-0104)</p>  <p><b>Jam Nuts</b> #10-24 Thread (712-0121)</p>  <p><b>"Z"-Fitting</b> (746-0778)</p>	<p><b>D ATTACHING THE CHUTE CRANK</b></p>  <p><b>Flat Washers</b> 3/8" I.D. x 5/8" O.D. (736-0185)</p>  <p><b>Hex Nut</b> 5/16"-18 (712-3010)</p>  <p><b>Cupped Washers</b> 5/16" I.D. (736-0242)</p>  <p><b>Hair Pin Clip</b> (714-0104)</p>
<p><b>E AUGER SHEAR BOLTS (SPARES)</b></p>  <p><b>Shear Bolts</b> (710-0890A)</p> <p><b>Hex Lock Nuts</b> 5/16"-18 (712-0429)</p>	<p><b>F ATTACHING THE TRACK CONTROLS</b></p>  <p><b>Track Controls</b> (746-0950)</p>

**NOTE:** The augers are secured to the spiral shaft with two shear bolts and hex lock nuts. If you hit a hard foreign object or an ice jam, the snow thrower is designed so that the bolts may shear. Two replacement shear bolts and nuts are provided for your convenience. Store in a safe place until needed.

**IMPORTANT:** NEVER replace the auger shear bolts with standard hex bolts. Any damage to the auger gearbox or other components as a result of doing so will NOT be covered by your snow thrower's warranty.

## SECTION 5: ASSEMBLY INSTRUCTIONS

**IMPORTANT:** After assembly, service engine with gasoline, and check oil level as instructed in the separate engine manual packed with your unit.

**NOTE:** All references to right or left side of the snow thrower are determined from behind the unit in the operating position.

### UNPACKING

1. Remove staples or break glue on the top flaps of the carton. Remove any loose parts like operator's manual or hardware pack included with unit.
2. Cut the carton along its corners and lay the end of the carton down flat. Remove packing material.
3. Roll unit out of carton. Check carton thoroughly for loose parts.
4. Extend cables out behind unit and lay them on the floor.
5. Lay out the contents of the hardware pack according to the illustration on page 5 and identify each part.
6. Find the loose parts in the carton and lay these on the floor. You should locate the following loose parts in the carton:

1. Handle Panel
2. Right Handle
3. Left Handle
4. Auger Control Grip
5. Traction Drive Control Grip
6. Right Clutch Grip Bracket
7. Left Clutch Grip Bracket
8. Shift Rod (Not Illustrated)
9. Chute Crank Assembly (Not Illustrated)
10. Chute Assembly (Not Illustrated)
11. Hardware Pack (Not Illustrated)

### Tools Required

The snow thrower comes partly assembled in the carton. You will have to complete the assembly. Follow assembly instructions in this operator's manual to make the job safe and easy. You will need the following tools to assemble the snow thrower.

- A. Set of Wrenches (3/8", 9/16", 1/2" or adjustable)
- B. Pair of pliers

### Attaching the Handle Assembly. (Hardware A)

Lay loose parts out on flat surface.

- |                       |                                |
|-----------------------|--------------------------------|
| 1. Handle Panel       | 5. Traction Drive Control Grip |
| 2. Right Handle       | 6. Right Grip Bracket          |
| 3. Left Handle        | 7. Left Grip Bracket           |
| 4. Auger Control Grip |                                |

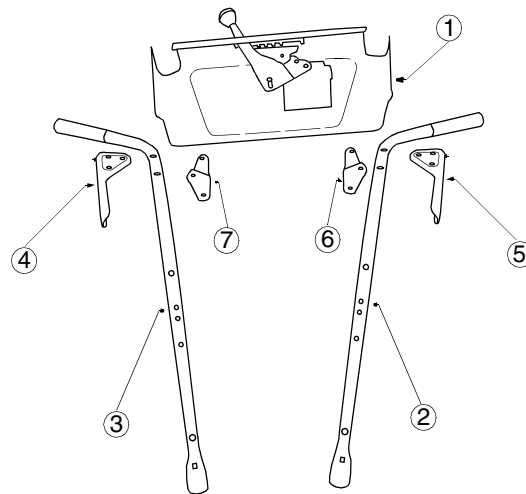


Figure 2

1. Attach left handle and grip bracket to handle panel with two carriage bolts, lock washers and hex nuts. (Be sure the bend in the grip bracket is towards the center of the handle panel. (See Figure 3.) Do not tighten at this time.

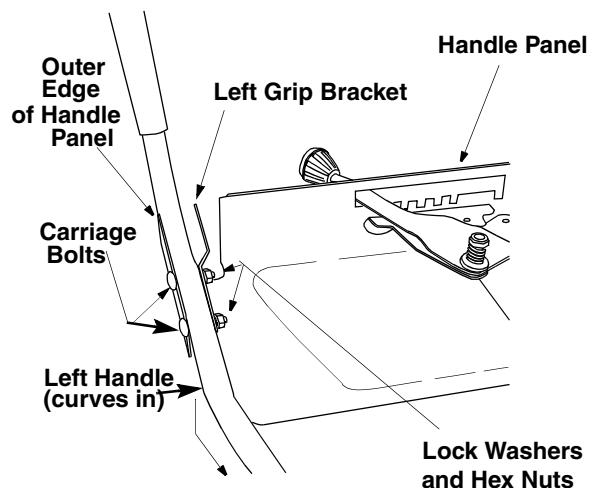


Figure 3

2. Locate auger control grip, part #4 in Figure 2. The triangular metal tab on the auger control grip must face the center of the handle panel.

- Thread hex nut onto the "Z" fitting and insert curved end of the Z fitting into the top hole in the triangular metal tab on the auger control grip. See Figure 4.

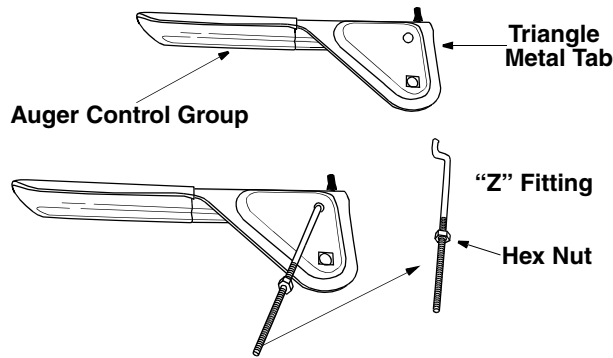


Figure 4

- Place the auger control grip on top of the left handle. The triangular metal tab must be between the handle and the grip bracket. See Figure 5.

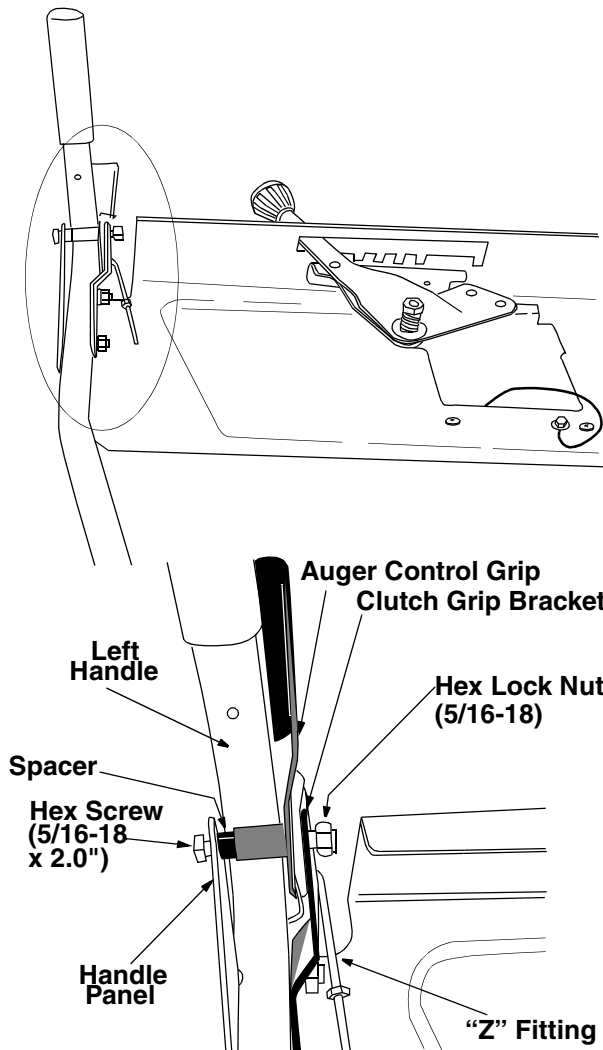


Figure 5

- Secure with hex screw, spacer and lock nut. See Figure 5. (Do not overtighten this bolt as it will prevent the grips from automatically returning to their upright position.)
- Repeat process for the right side Traction Drive Control Grip.
- Lay handle assembly behind snow thrower with light assembly facing up.
- Insert a hex bolt and lock washer through the lower hole on the bottom of the handle.
- Hold the handle assembly up to the bottom of the snow thrower frame and thread the hex bolt into the lower hole in snow thrower frame. Do not tighten at this time. See Figure 6.

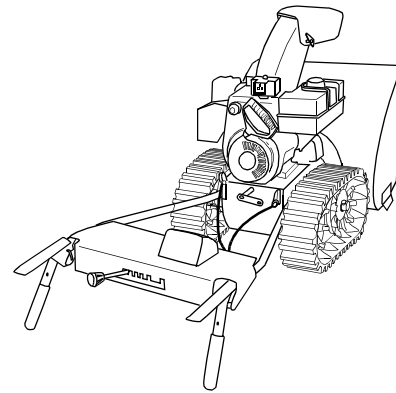


Figure 6

- Repeat process on the other side.
- Raise the handle assembly into the upright position and align the top holes in the handles with the top holes in the snow thrower frame. Attach using hex bolts, lock washers and saddles. (Curve in saddle must match the curve in the handle.) See Figure 7.
- Tighten four carriage bolts and nuts used to attach the handle panel to the right and left handles in step 1.
- Tighten all hardware used to attach the handle assembly to the snow thrower frame.

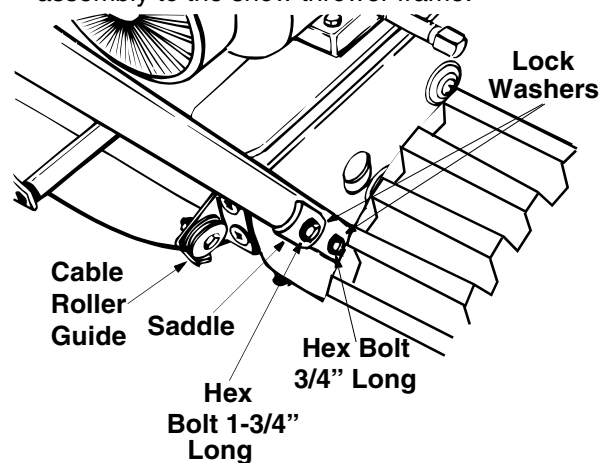


Figure 7

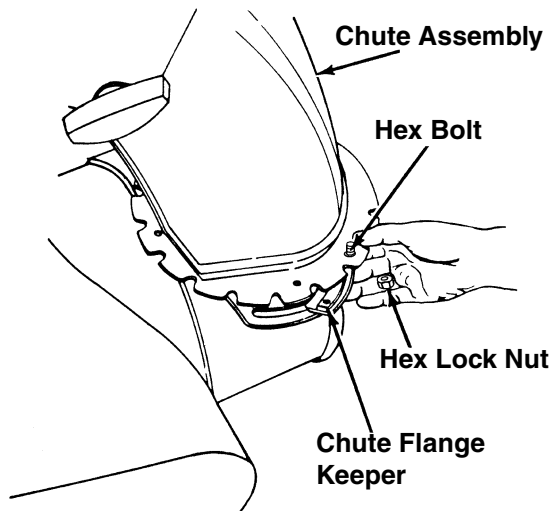


Figure 8

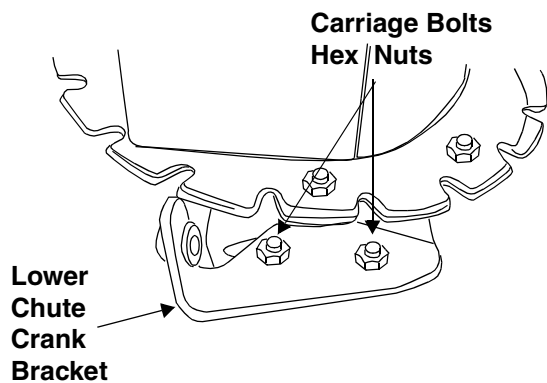


Figure 9

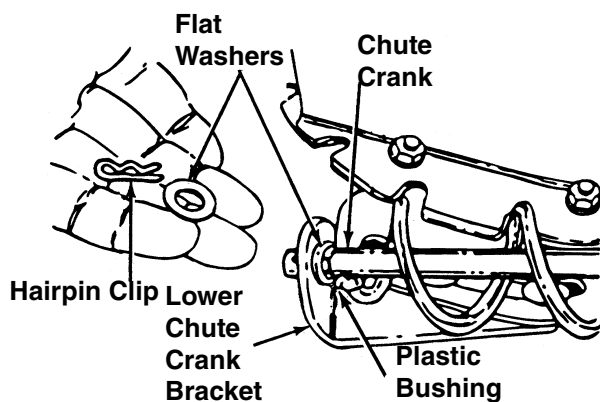


Figure 10

## ATTACHING THE CHUTE ASSEMBLY (Hardware C)

1. Place chute assembly over chute opening, with the opening in the chute assembly facing the front of the unit.
2. Place chute flange keepers beneath lip of chute assembly with the flat side down.
3. Insert hex bolt up through chute flange keeper and chute assembly as shown in Figure 8. Secure with hex lock nut.
4. After assembling all three chute flange keepers, tighten all nuts and bolts. Do not overtighten hardware as it will restrict movement of the discharge chute.

## ATTACHING THE CHUTE CRANK (Hardware D)

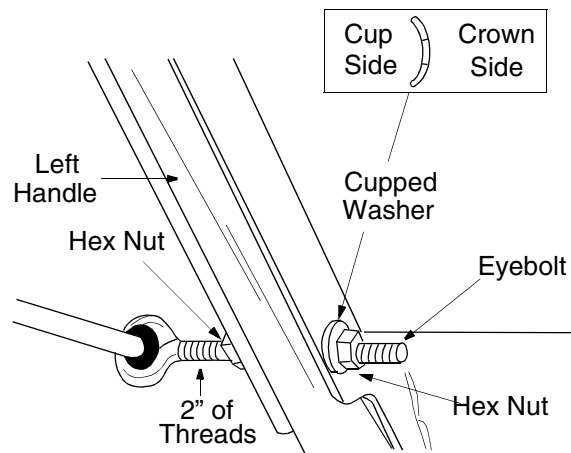


Figure 11

1. Loosen the two hex nuts which secure the lower chute crank bracket (see Figure 9) to the snow thrower housing.
2. Place one flat washer over the end of the chute crank, then insert the end of the crank into the hole in the plastic bushing in the lower chute crank bracket. See Figure 10. Place second flat washer on chute crank, and secure with hairpin clip.
3. Thread one hex nut onto the eyebolt on the chute crank assembly until there is at least two inches of threads showing between the nut and the head of the eyebolt. See Figure 11.
4. Place the eyebolt into the hole located half way up the left handle. Secure with cupped washer (cupped side against the handle, see inset, Figure 11) and hex nut.
5. Adjust the chute crank support bracket (see Figure 9) so that the spiral on the chute crank fully engages the teeth on the chute assembly. Tighten the nuts on the chute crank bracket securely. Tighten the hex nuts on the eyebolt.



## ATTACHING THE TRACK CONTROLS

### (Hardware F)

1. Remove the screw from the top of the right hand track control. Be careful not to lose the flat weld nut that is inside the control.
2. Place the right track control in position underneath the right handle. Secure with screw just removed. See Figure 12.
3. Secure the left track control in the same manner.
4. Attach track control cable to track control handle by inserting cable ball into slot on track control handle. Push cable down and up until it snaps into front of track control handle. Repeat on other side.
5. Secure the track control cables to the inside of the lower handle using the cable ties provided. Pull the cable ties tight, and trim the excess ends of the cable ties. See Figure 12

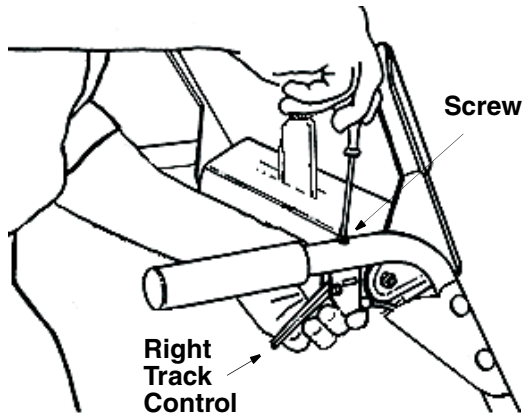


Figure 12

## ATTACHING THE CLUTCH CABLES

The "Z" end of the clutch cables are hooked into the clutch grips on each handle. Attach cables as follows.

1. Thread the hex jam nuts all the way up the threaded portion of the "Z" ends of the clutch cables.
2. Make certain each cable is in groove of cable roller guides. Place the clutch grip in the raised (up) position.
3. Thread the cable onto the threaded portion of the "Z" and until there is no slack in the cable, but the **cable is NOT tight. Do not overtighten cable.** See Figure 13.



**WARNING:** Overtightened of the cable will create a safety hazard by disallowing the clutch to disengage. Do NOT overtighten.

4. When correct adjustment is reached, tighten the hex jam nut against the bottom portion of the cable to lock it in position.

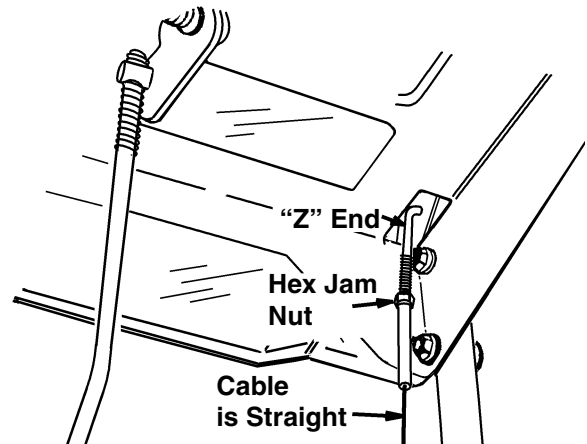


Figure 13

## ATTACHING THE SHIFT ROD

### (Hardware B)

1. Place the shift lever (on the handle panel) in the fifth speed position (all the way to the left).
2. Place the bent end of the shift rod into the hole in the shift arm assembly. See Figure 15. Secure with flat washer and hairpin clip.
3. Start threading the ferrule onto the other end of the shift rod. Lift up on the shift rod (and shift arm assembly) as far as it will go.
4. Thread the ferrule onto the shift rod until the ferrule lines up with the **lower** hole in the shift lever (beneath the handle panel). Insert the ferrule into the upper hole in the shift lever from the left side when adjustment is correct. Secure with flat washer and hairpin clip.
5. Make certain to check for correct adjustment of the shift rod as instructed in the Final Adjustment section before operating the snow thrower.

## LAMP WIRING

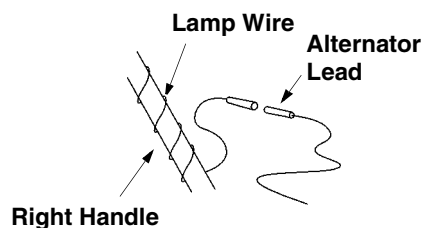


Figure 14

1. Wrap the wire from the lamp down the right handle until the wire can be plugged into the alternator lead wire under the fuel tank. See Figure 14. Be sure lamp wire does not interfere with the movement of any controls or cables.

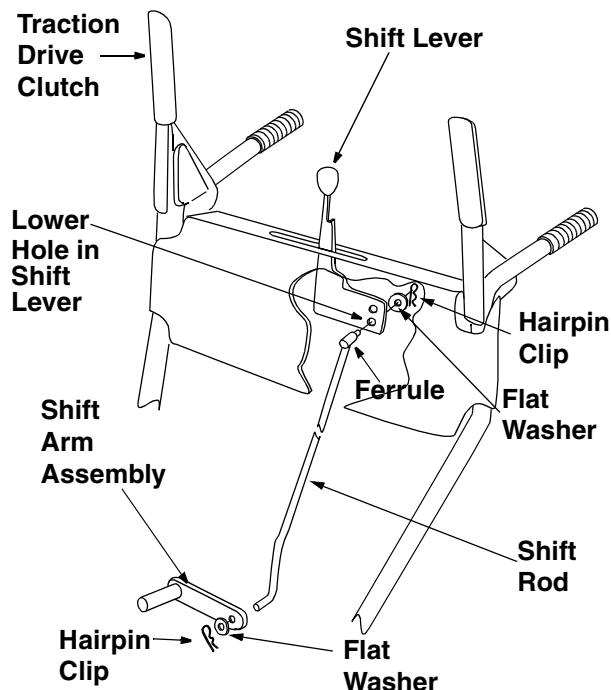


Figure 15

## FINAL ADJUSTMENTS

### Auger Drive Clutch

To check the adjustment of the auger drive clutch, push forward on the left hand clutch grip (depress the rubber bumper). There should be slack in the cable. Release the clutch grip. The cable should be straight. Make certain you can depress the auger drive clutch grip against the left handle completely.

If necessary, loosen the hex jam nut and thread the cable in (for less slack) or out (for more slack) as necessary. Refer to Figure 15. Recheck the adjustment. Tighten the hex jam nut against the cable when correct adjustment is reached.

### Traction Drive Clutch and Shift Lever Adjustment

To check the adjustment of the traction drive clutch and shift lever, move the track lock lever to the transport position and the shift lever all the way left to fifth (5) position. With the traction drive clutch released, push the snow thrower forward to check that the tracks turn.

**NOTE:** It may be necessary to “rock” the snow thrower backward, then forward, to start the tracks turning.

Engage the traction drive clutch and push the snow thrower. The tracks should not turn. Release the traction drive clutch and make sure the tracks again turn.

Move the shift lever back to the reverse position, then all the way forward again. There should be no resistance in movement of shift lever.

If you have resistance when moving the shift lever or you are unable to turn the tracks by pushing the snow thrower, loosen the lock nut on the traction drive cable and unthread the cable one turn. If you are able to turn the tracks when you engage the traction drive clutch grip, loosen the lock nut on the traction drive cable and thread the cable in one turn. Recheck and repeat adjustment as necessary. Tighten the lock nut to secure the cable when correct adjustment is reached.

**NOTE:** If you are uncertain that you have reached the correct adjustment, refer to the Adjustment section.

### Skid Shoe Adjustment

The space between the shave plate and the ground can be adjusted. For close snow removal, place skid shoes in the low position. Use middle or high position when area to be cleared is uneven.

Adjust skid shoes by loosening the four hex nuts and carriage bolts and moving skid shoes to desired position. Make certain the entire bottom surface of skid shoe is against the ground to avoid uneven wear on the skid shoes. Retighten nuts and bolts securely. See Figure 16

It is not recommended that you operate this snow thrower on gravel as loose gravel can be easily picked up and thrown by the auger causing an injury or damage to the snow thrower. If you do wish to use the snow thrower on gravel, refer to “Track Lock Lever” instructions in the Control section.

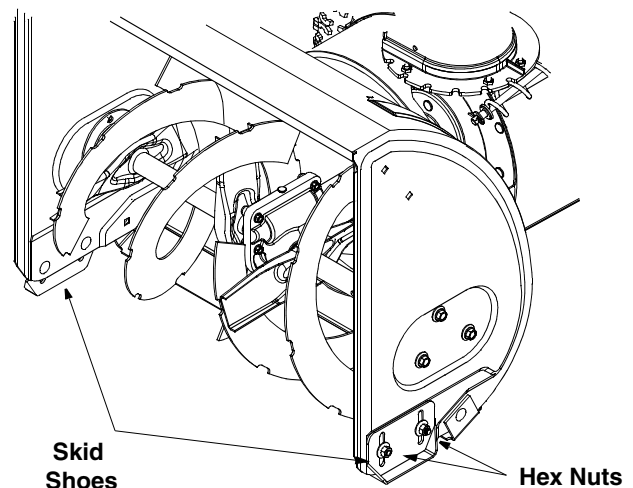


Figure 16

## SECTION 6: CONTROLS

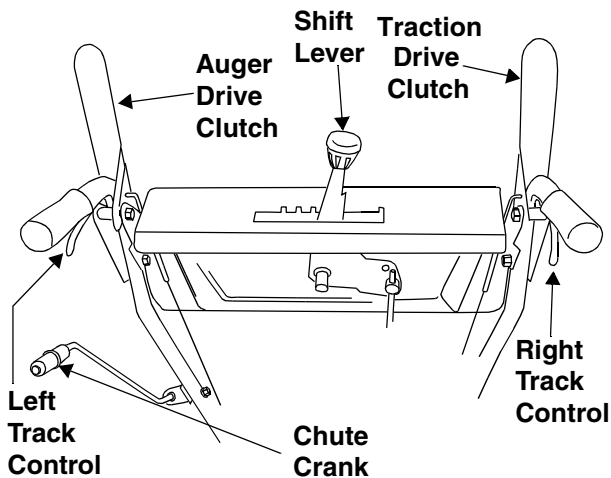


Figure 17

### SHIFT LEVER (See Figure 17)

The shift lever is located in the center of the handle panel. The shift lever may be moved into one of eight positions. Run engine with throttle in the fast position. Use the shift lever to determine ground speed.

**Forward**—one of five speeds. Position number one (1) is the slowest. Position number five (5) is the fastest.

**Reverse**—two reverse speeds; R1 and R2. R2 is the faster reverse speed.

### AUGER DRIVE CLUTCH

(See Figure 17)

The auger drive clutch is located on the left handle. Squeeze the auger drive clutch against the handle to engage the augers. Release to stop the snow throwing action. (**Traction drive clutch must also be released.**)

### TRACTION DRIVE CLUTCH

(See Figure 17)

The traction drive clutch is located on the right handle. Squeeze the traction drive clutch to engage the wheel drive. Release to stop.

### CHUTE CRANK (See Figure 17)

The chute crank is located on left hand side of the snow thrower.

To change the direction in which snow is thrown, turn chute crank as follows:

1. Crank clockwise to discharge to the left.
2. Crank counterclockwise to discharge to the right.

### LEFT AND RIGHT TRACK CONTROLS

The left and right track controls are located on the underside of the handles and are used to assist in steering your snow thrower. See Figure 17. Squeeze the right track control when turning right, squeeze the left control when turning left. Operate your snow thrower in open areas until you become familiar with these controls.

### TRACK LOCK LEVER

The track lock lever is located on the right side of the snow thrower and is used to select the position of the housing and the method of track operation. See Figure 18. Move the lever to the right, then forward or backward to one of the three positions.

**Transport**—Raises the front end of the snow thrower for easy transport. May also be used on gravel driveways to clear snow and leave gravel undisturbed.

**Normal Snow**—Allows the tracks to be suspended independently for continuous ground contact.

**Packed Snow**—Locks the front end of the snow thrower down to the ground for hard-packed or icy snow conditions.

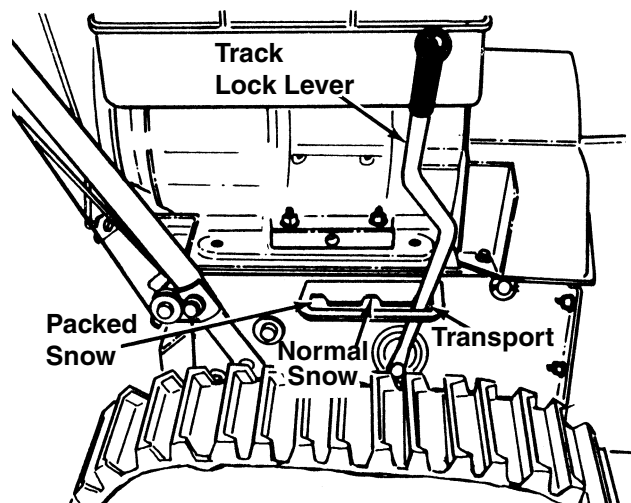


Figure 18

## SECTION 7: OPERATION

### GAS AND OIL FILL-UP

Service the engine with gasoline and check oil level as instructed in the separate engine manual packed with your snow thrower. Read instructions carefully.



**WARNING:** Never fill fuel tank indoors, with engine running or while engine is hot. Do not smoke when filling fuel tank.

### Electric Starter

**WARNING:** The electric starter is equipped with a three-wire power cord and plug, and is designed to operate on 120 volt AC household current. It must be properly grounded at all times to avoid the possibility of electric shock which may be injurious to the operator. Follow all instructions carefully. Determine that your house wiring is a three-wire grounded system. Ask a licensed electrician if you are not certain. If your house wiring system is not a three-wire grounded system, do not use this electric starter under any conditions. If your system is grounded and a three-hole receptacle is not available at the point your starter will normally be used, one should be installed by a licensed electrician.

When connecting the power cord, always connect cord to starter on engine first, then plug the other end into a three-hole grounded receptacle.

When disconnecting the power cord, always unplug the end from the three-hole grounded receptacle first.

### TO START ENGINE

**IMPORTANT:** If unit shows any sign of motion (drive or augers) with the clutch grips disengaged, shut engine off immediately. Readjust as instructed in the "Final Adjustments" section of the Assembly Instructions.

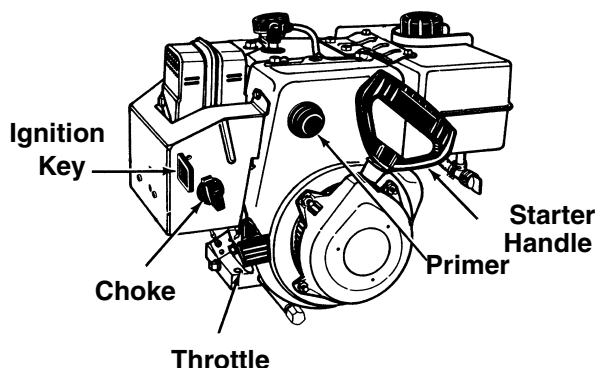


Figure 19

1. Attach spark plug wire to spark plug.
2. Make certain the fuel shut-off valve is in the open (vertical) position.
3. **Make certain the auger drive and traction drive clutch grips are in the disengaged (released) position.**
4. Move throttle control up to FAST position. Insert ignition key into slot. See Figure 19. Be certain it snaps into place. **Do not** turn key.
5. Rotate choke knob to FULL choke position (cold engine start).
6. If engine is warm, place choke in OFF position instead of FULL.
7. Connect power cord to switch box on engine. Plug the other end of power cord into a three-hole, grounded 120 volt AC receptacle.
8. **Recoil Start Only:** Push primer button two or three times. If engine is warm, push primer button once only. See Figure 19.

**NOTE:** Always cover vent hole in primer button when pushing. Additional priming may be necessary for first start if temperature is below 15°F.

9. **Electric Start:** Push starter button on top of the engine to crank the engine. When engine starts, release starter button.  
**Recoil Start:** Grasp starter handle (see Figure 19) and pull rope out slowly, until it pulls slightly harder. Let rope rewind slowly. Pull starter handle rapidly. Do not allow handle to snap back. Allow it to rewind slowly while keeping a firm hold on the starter handle.
10. Repeat step 9 until engine starts. If engine fails to start, repeat steps 8 and 9 until engine starts.
11. As engine warms up and begins to operate evenly, rotate choke knob slowly to OFF position. If engine falters, return to FULL choke, then slowly move to OFF position.

### TO STOP ENGINE

1. Run engine for a few minutes before stopping to help dry off any moisture on the engine.
2. To help prevent possible freeze-up of starter, proceed as follows.

Connect power cord to switch box on engine, then to 120 volt AC receptacle. With the engine running, push starter button and spin the starter for several seconds. The unusual sound made by spinning the starter will not harm engine or starter. Disconnect the power cord from receptacle first, and then from switch box.

**Recoil Starter (Optional Instructions):** With engine running, pull starter rope with a rapid, continuous full arm stroke three or four times. Pulling the starter rope will produce a loud clattering sound, which is not harmful to the engine or starter.

3. To stop engine, remove the ignition key. Do not turn key. Disconnect the spark plug wire from the spark plug to prevent accidental starting while equipment is unattended.

**NOTE:** Do not lose ignition key. Keep it in a safe place. Engine will not start without the ignition key.

4. Wipe all snow and moisture from the carburetor cover in the area of the control levers. Also, move control levers back and forth several times. Leave throttle control lever in the STOP or OFF position. Leave choke control in the FULL choke position.

## TO ENGAGE DRIVE

1. With the engine running near top speed, move shift lever into one of the six FORWARD positions or two REVERSE positions. Select a speed appropriate for the snow conditions that exist. Use the slower speeds until you are familiar with the operation of the snow thrower.
2. Squeeze the traction drive clutch grip against the right handle and the snow thrower will move. Release it and the drive motion will stop.

**NOTE:** NEVER move shift lever without first releasing the drive clutch.

## TO ENGAGE AUGERS

To engage the augers and start the snow throwing action, squeeze the auger clutch grip against the left handle. Release to stop the augers (traction drive clutch grip must also be released).

## OPERATING TIPS

**NOTE:** Allow the engine to warm up for a few minutes as the engine will not develop full power until it reaches operating temperature.



**WARNING:** Temperature of muffler and surrounding areas may exceed 150°F. Avoid these areas.

1. For most efficient snow removal, remove snow immediately after it falls.
2. Discharge snow downwind whenever possible. Slightly overlap each previous swath.
3. Set the skid shoes 1/4" below the scraper bar for normal usage. The skid shoes may be adjusted upward for hard-packed snow. Adjust downward when using on gravel or crushed rock.
4. Be certain to follow the precautions listed under "To Stop Engine" to prevent possible freeze-up.
5. Clean the snow thrower thoroughly after each use.

---

## SECTION 8: ADJUSTMENTS



**WARNING:** NEVER attempt to clean chute or make any adjustments while engine is running.

### CHUTE ASSEMBLY ADJUSTMENT

The distance snow is thrown can be adjusted by adjusting the angle of the chute assembly. Refer to the Control section of this manual.

### SKID SHOE ADJUSTMENT

The space between the shave plate and the ground can be adjusted. Refer to the Final Adjustments section page 10.

### TRACTION DRIVE CLUTCH ADJUSTMENT

Refer to the Final Adjustment section of the Assembly Instructions to adjust the traction drive clutch. If you are uncertain that you have reached the correct adjustment, the adjustment can be physically checked as follows.

With the snow thrower tipped forward (be certain to drain the gasoline or place plastic film under the gas cap if the snow thrower has already been operated), remove the frame cover underneath the snow thrower by removing four self-tapping screws.

With the traction drive clutch released, there must be clearance between the friction wheel and the drive plate in all positions of the shift lever. With the traction drive clutch engaged, the friction wheel must contact the drive plate. See Figure 20.

If adjustment is necessary, loosen the lock nut on the traction drive cable and thread the cable in or out as necessary. Tighten the lock nut to secure the cable when correct adjustment is reached. Reassemble the frame cover.

**NOTE:** If you placed plastic under the gas cap, be certain to remove it.

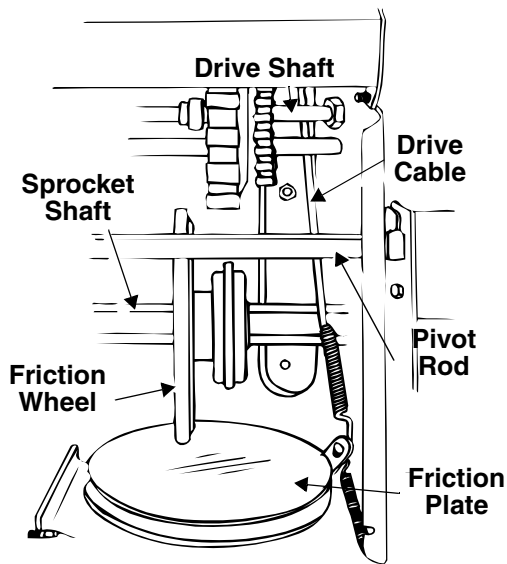


Figure 20

## AUGER CLUTCH ADJUSTMENT

To adjust the auger clutch, refer to the Final Adjustments section page 10.

## SHIFT ROD ADJUSTMENT

To adjust the shift rod, remove the hairpin clip and flat washer which secure the ferrule to the shift lever, beneath the handle panel. Refer to Figure 15. Refer to the Final Adjustments section.

## CARBURETOR ADJUSTMENT



**WARNING:** If any adjustments are made to the engine while the engine is running (e.g. carburetor), keep clear of all moving parts. Be careful of heated surfaces and muffler.

Minor carburetor adjustment may be required to compensate for differences in fuel, temperature, altitude and load.

Refer to the separate engine manual packed with your unit for carburetor adjustment information.

## SECTION 9: LUBRICATION



**WARNING:** Disconnect the spark plug wire and ground against the engine before performing any lubrication or maintenance.

### AUGER SHAFT

At least once a season, remove shear bolts on auger shaft. Oil or spray lubricant inside shaft. See Figure 21. Also lubricate the plastic bearings at least once a season.

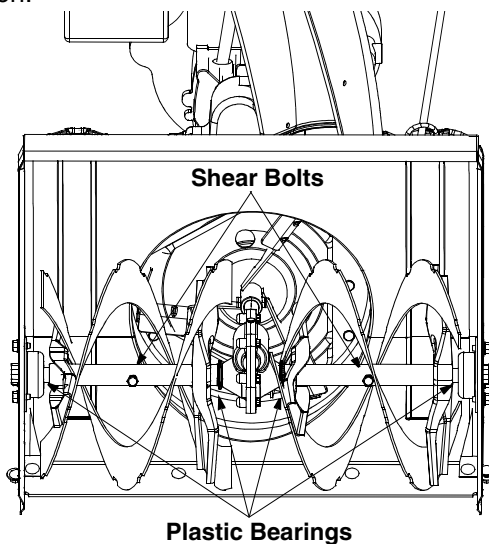


Figure 21

### ENGINE

Refer to engine manual for all engine lubrication instructions.

### AXLE BEARINGS

Oil or spray lubricant into axle bearings at the housing at least once a season.

### SPROCKET SHAFT

Lubricate the sprocket shaft with good all-weather multi-purpose light grease at least once a season or after every 25 hours of operation.

**IMPORTANT:** Keep all grease and oil off of the rubber friction wheel and aluminum drive plate.

### DRIVE AND SHIFTING MECHANISM

At least once a season or after every 25 hours of operation, remove rear cover. Lubricate any chains, sprockets, gears, bearings, shafts, and shifting mechanism at least once a season. Use engine oil or a spray lubricant. **Avoid getting oil on rubber friction wheel and aluminum drive plate.** Refer to Figure 20.

## GEAR CASE

The gear case is lubricated with grease at the factory and does not require checking. If disassembled for any reason, relubricate with 2 ounces (do NOT overfill) of Shell Alvania grease EPR00, part number 737-0168. Before reassembling, remove old sealant and apply "Loctite 5699" or equivalent.

## CHUTE CRANK

The gear on the end of the chute crank should be greased with multi-purpose automotive grease once a season.

## SECTION 10: MAINTENANCE



**WARNING:** Disconnect the spark plug wire and ground against the engine before performing any repairs or maintenance.

### AUGER BELTS

1. Remove the plastic belt cover on the front of the engine by removing the two self-tapping screws. See Figure 22.

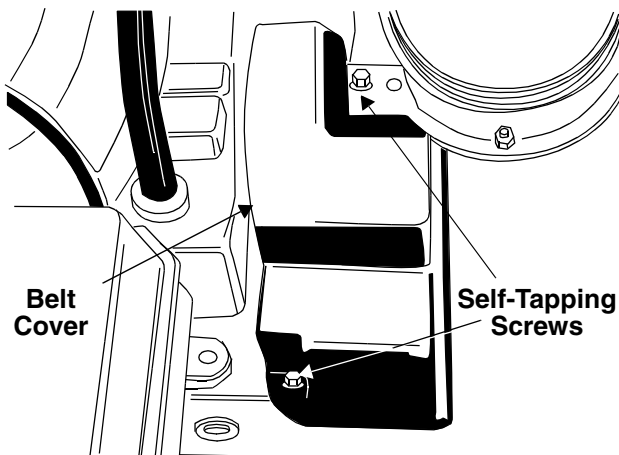


Figure 22

2. Drain the gasoline from the snow thrower, or place a piece of plastic under the gas cap.
3. Tip the snow thrower up and forward so that it rests on the housing.
4. Remove four self-tapping screws from the frame cover underneath the snow thrower.
5. Roll the front and rear auger belts off the engine pulley. See Figure 23.
6. Unhook the idler spring from the hex bolt on the auger housing. See Figure 24.
7. Back out the stop bolt to allow the belts to slip between the bolt and auger pulley. See Figure 25.

**NOTE:** It may be necessary to loosen the six nuts that connect the frame to the auger housing to aid in belt removal.

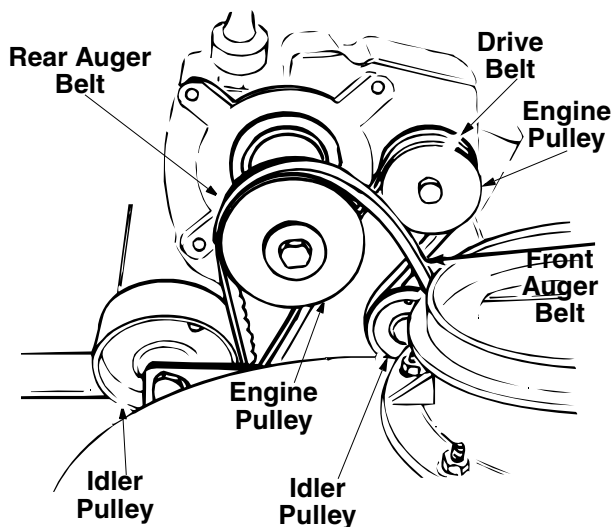


Figure 23

8. Lift the rear auger belt from the auger pulley, and slip belt between the support bracket and the auger pulley. See Figure 24. Repeat this step for the front auger belt.
9. Replace both auger drive belts by following instructions in reverse order.

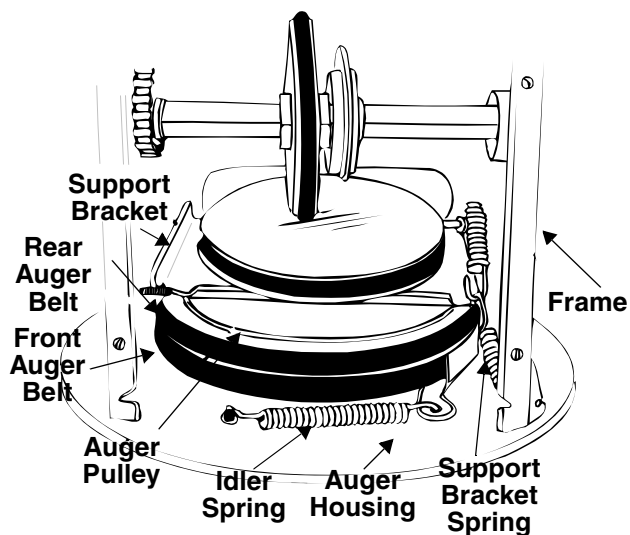


Figure 24

## DRIVE BELT

1. Follow steps 1 through 4 of previous instructions.
2. Pull idler pulley up, and lift belt off engine pulley and friction wheel disc. See Figure 23.
3. Back out the stop bolt until the support bracket rests on the auger pulley. See Figure 23.
4. Slip belt between friction wheel and friction wheel disc. See Figure 23. Remove and replace belt. Reassemble following the instructions in reverse order.

**NOTE:** The support bracket must rest on the stop bolt after the new belt has been assembled. See Figure 25.

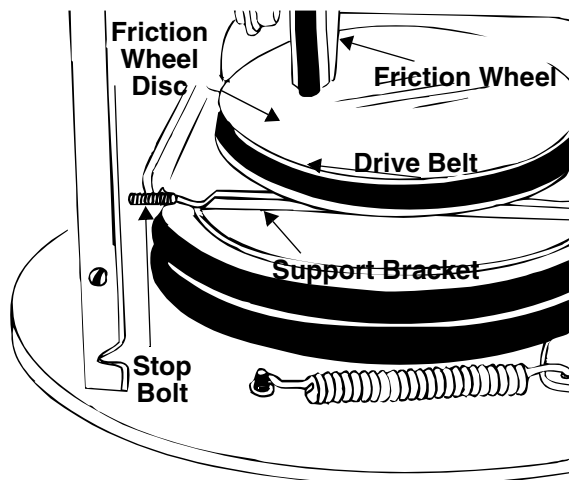


Figure 25

## CHANGING THE FRICTION WHEEL RUBBER

The rubber on the friction wheel is subject to wear and should be checked after 25 hours of operation, and periodically thereafter. Replace the friction wheel rubber if any signs of wear or cracking are found.

1. Drain the gasoline from the snow thrower, or place a piece of plastic under the gas cap.
2. Tip the snow thrower up and forward, so that it rests on the housing.
3. Remove four self-tapping screws from the frame cover underneath the snow thrower.
4. Using a 7/8" wrench to hold the shaft, loosen, but do not completely remove, the hex bolt and bell washer from the left end of the shaft. See Figure 27.
5. Move the track lock lever to the packed snow position. See Figure 18.
6. Lightly tap the head of bolt to dislodge the ball bearing from the right side of frame, then remove hex bolt and bell washer from left end of shaft.

7. Sliding the shaft to the right, remove the spacer, sprocket, and friction wheel assembly from the shaft. See Figure 27.
8. Remove the six screws from the friction wheel assembly (three from each side). Remove the friction wheel rubber from between the friction wheel plate.
9. Reassemble new friction wheel rubber to the friction wheel assembly, tightening the six screws in rotation and with equal force.
10. Position the friction wheel assembly up onto the pin of the shift rod assembly, and slide the shaft through the friction wheel. See Figure 27.
11. Slide the shaft into the hex I.D. of the sprocket, the spacer, and the left ball bearing, and secure with the bell washer and hex bolt. See Figure 26.

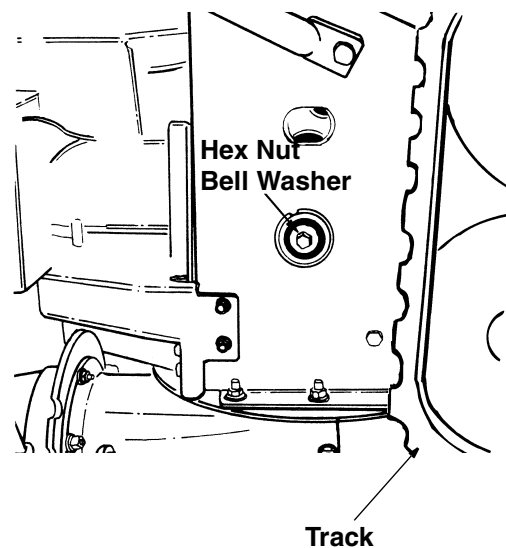


Figure 26

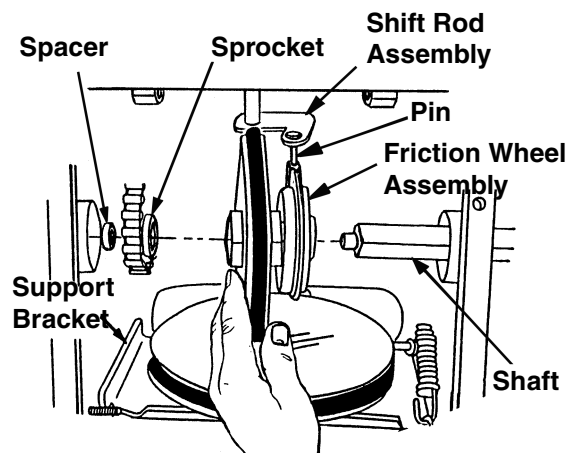


Figure 27



---

## SECTION 11: OFF-SEASON STORAGE



**WARNING:** Never store engine with fuel in tank indoors or in poorly ventilated areas, where fuel fumes may reach an open flame, spark or pilot light as on a furnace, water heater, clothes dryer or other gas appliance.

If unit is to be stored over 30 days, prepare for storage as follows:

1. Remove all gasoline from carburetor and fuel tank to prevent gum deposits from forming on these parts and causing possible malfunction of engine.
  - a. Run engine until fuel tank is empty and engine stops due to lack of fuel.
  - b. Drain carburetor by pressing upward on bowl drain, located below the carburetor cover.



**WARNING:** Drain fuel into approved container outdoors, away from open flame. Be certain engine is cool. Do not smoke. Fuel left in engine during warm weather deteriorates and will cause serious starting problems.

2. Remove spark plug and pour one (1) ounce of engine oil through spark plug hole into cylinder. Crank engine several times to distribute oil. Replace spark plug.
3. Remove all dirt from exterior of engine and equipment.
4. Follow lubrication recommendations on page 15.
5. Store in a clean, dry area.

**NOTE:** When storing any type of power equipment in an unventilated or metal storage shed, care should be taken to rust proof the equipment. Using a light oil or silicone, coat the equipment, especially any chains, springs, bearings and cables.

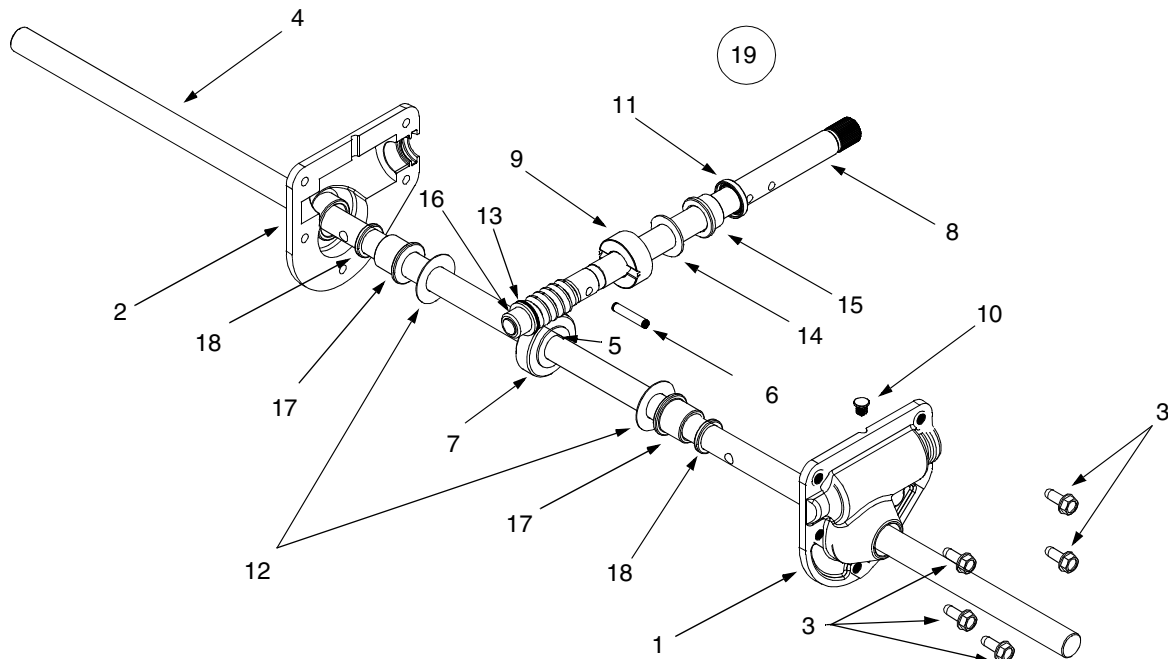
## SECTION 12: TROUBLE SHOOTING GUIDE

Trouble	Possible Cause(s)	Corrective Action
Engine fails to start	Fuel tank empty, or stale fuel. Blocked fuel line. Choke not in ON position Faulty spark plug. Key not in switch on engine. Spark plug wire disconnected. Primer button not depressed. Fuel shut-off valve closed (if so equipped). Improper gasoline and oil mixture.	Fill tank with clean, fresh mixture of gasoline and oil. Fuel will not last over thirty days unless a fuel stabilizer is used. Clean fuel line. Move switch to ON position Clean, adjust gap or replace. Insert key. Connect spark plug wire.  Refer to the engine manual packed with your unit. Open fuel shut-off valve.  Refer to the engine manual packed with your unit.
Engine runs erratic	Unit running on CHOKE. Blocked fuel line or stale fuel.  Water or dirt in fuel system. Carburetor out of adjustment.	Move choke lever to OFF position. Clean fuel line; fill tank with clean fresh gasoline. Fuel will not last over thirty days unless a fuel stabilizer is used. Drain fuel tank. Refill with fresh fuel. Refer to the engine manual packed with your unit or have carburetor adjusted by an authorized service dealer.
Loss of power	Spark plug wire loose. Gas cap vent hole plugged. Exhaust port plugged.	Connect and tighten spark plug wire. Remove ice and snow from cap. Be certain vent hole is clear. Clean-see Maintenance section of engine manual.
Engine overheats	Carburetor not adjusted properly.  Incorrect fuel mixture.	Refer to the engine manual packed with your unit or have carburetor adjusted by an authorized service dealer.  Drain fuel tank. Refill with proper fuel mixture.
Excessive vibration	Loose parts or damaged auger.	Stop engine immediately and disconnect spark plug wire. Tighten all bolts and nuts. Make all necessary repairs. If vibration continues, have unit serviced by an authorized service dealer.
Unit fails to propel itself	Incorrect adjustment of drive cable. Drive belt loose or damaged.	Adjust drive cable. Refer to Belt Tension Adjustment in Adjustment section of this manual. Replace drive belt. Refer to Belt Replacement in Maintenance section of this manual.
Unit fails to discharge snow	Discharge chute clogged.  Foreign object lodged in auger. Incorrect adjustment of drive cable. Drive belt loose or damaged.	Stop engine immediately and disconnect spark plug wire. Clean discharge chute and inside of auger housing. Stop engine immediately and disconnect spark plug wire. Remove object from auger. Adjust drive cable. Refer to Belt Tension Adjustment in Adjustment section of this manual. Replace drive belt. Refer to Belt Replacement in Maintenance section of this manual.

For repairs beyond the minor adjustments above, contact your local authorized service dealer.

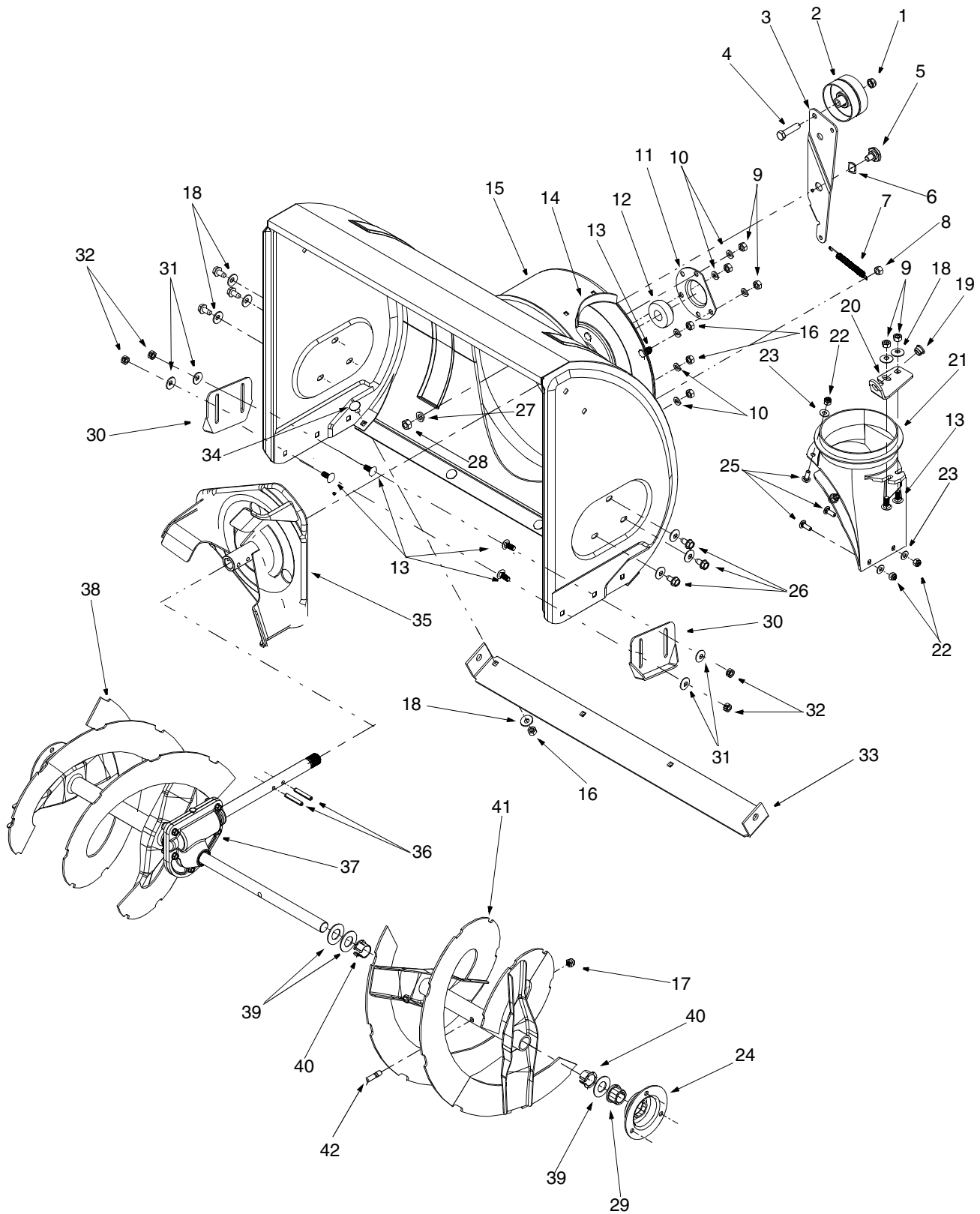
**SECTION 13: PARTS LIST**  
**Model E762F**

# Gearbox Assembly



REF. NO.	PART NO.	DESCRIPTION
1	618-0123	RH Reducer Housing (Incl. Ref. 17, 18)
2	618-0124	LH Reducer Housing (Incl. Ref. 17, 18)
3	710-0642	Self Tapping Screw, 1/4-20 x .75
4	711-0909	Spiral Axle, 26"
5	714-0161	Hi-Pro Key, 3/16 x 5/8
6	715-0143	Spring Spirol Pin, .25 x 1.25
7	717-0528	Worm Gear, 20-tooth
8	717-0526	Worm Shaft
9	718-0186	Thrust Collar
10	721-0325	Grease Plug
11	721-0327	Grease Seal
12	736-0351	Flat Washer, .76 x 1.5 x .030
13	736-0369	Flat Washer, .508 x 1.0 x .020
14	736-0445	Flat Washer, .76 x 1.5 x .060
15	741-0662	Flange Bearing, .75 x 1.0 x .59
16	748-0663	Flange Bearing, .75 x 1.0 x .925
17	741-0661	Flange Bearing, .754 x 1.0 x .925
18	721-0179	Grease Seal
19	618-0121	Gear Assembly Complete
—	737-0168	Grease (Two Ounces)

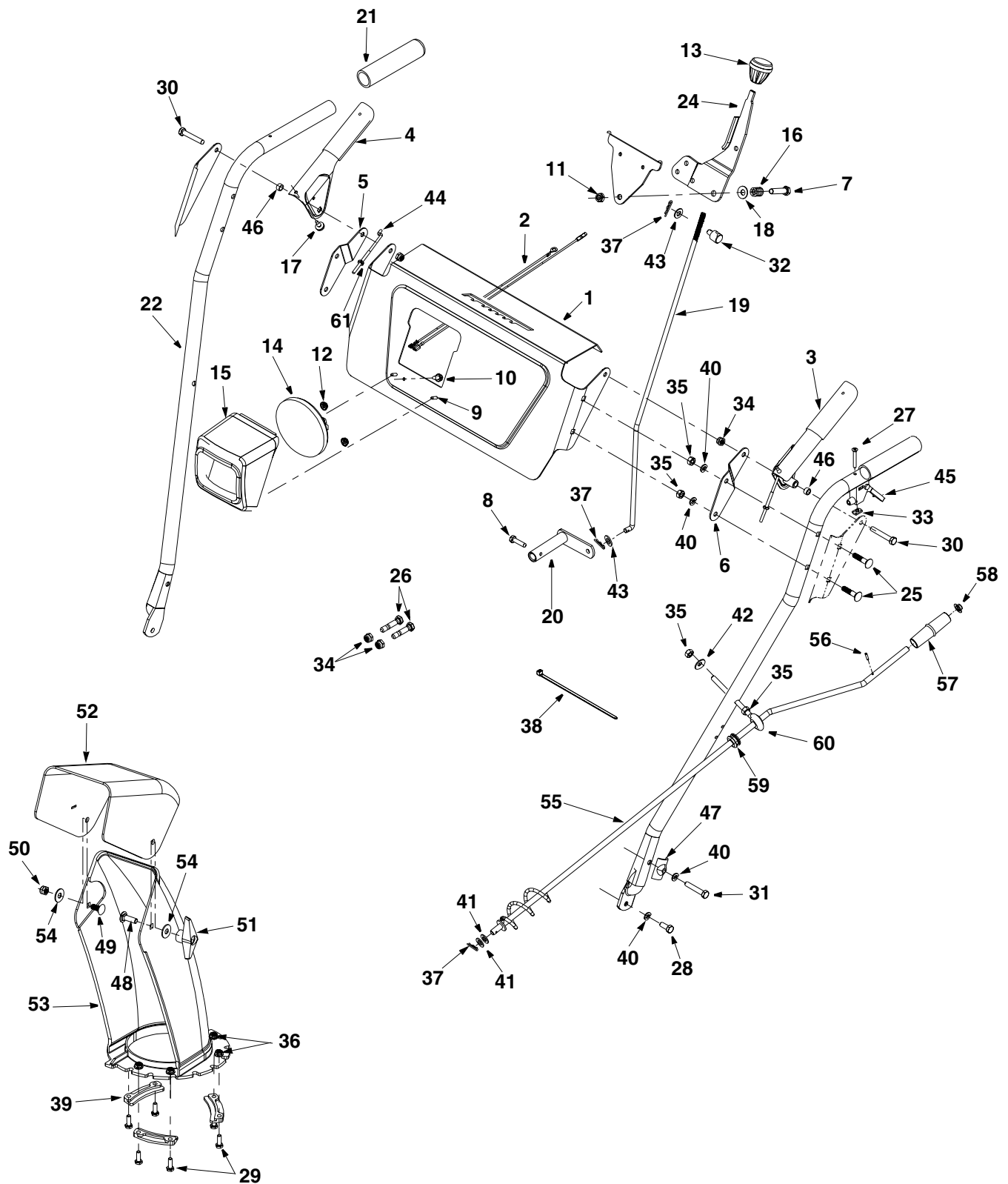
# Model E762F



# Blower Housing

REF. NO.	PART NO.	DESCRIPTION
1	712-0116	Lock Jam Nut 3/8-24
2	756-0178	Flat Idler
3	784-5632A	Auger Idler Arm
4	710-0459A	Hex Cap Screw 3/8-24 x 1.50
5	738-0281	Shoulder Screw
6	736-0174	Wave Washer
7	732-0611	Extension Spring
8	712-3068	Hex Nut 5/16-18
9	712-3010	Hex Nut 5/16-18
10	736-0119	Lock Washer 5/16
11	05931	Housing
12	741-0309	Ball Bearing
13	710-0451	Carriage Bolt 5/16-18 x .75
14	705-5226	Chute Reinforcement
15	684-0040C	26" Housing Assembly
16	712-3010	Hex Nut 5/16-18
17	712-0429	Lock Nut 5/16-18
18	736-0242	Bell Washer
19	741-0475	Bushing
20	784-5647	Chute Crank Bracket
21	731-1379A	Chute Adapter
22	712-0324	Hex Lock Nut 1/4-20
23	736-0463	Flat Washer
24	784-5618	Bearing Housing
25	710-0703	Carriage Screw 1/4-20 x .75
26	710-0604	Hex Washer Screw 5/16-18
27	736-0169	Lock Washer 3/8
28	712-0798	Hex Nut 3/8-16
29	741-0245	Hex Flange Bearing
30	784-5580	Skid Shoe
31	736-0242	Bell Washer
32	712-3010	Hex Nut 5/16-18
33	784-5579A	25.66" Shave Plate
34	710-0260	Carriage Bolt 5/16-18 x .62
35	684-0065	Impeller Assembly
36	715-0114	Pin
37	618-0121	26" Gear Assembly
38	605-5192A	26" Spiral RH
39	736-0188	Flat Washer
40	741-0493A	Flange Bushing
41	605-5193A	26" Spiral LH
42	710-0890A	Shear Bolt 5/16-18 x 1.5

# Model E762F



# Handle Assembly

Ref. No.	Part No.	Description	Ref. No.	Part No.	Description
1	684-0145	Control Panel Ass'y.	34	712-0429	Hex L-Nut 5/16-18 Thd.
2	629-0058	Wire Harness	35	712-3010	Hex Nut 5/16-18 Thd.
3	705-5233	Clutch Lever -L.H.	36	712-3027	Hex L-Nut 1/4-20 Thd.
4	705-5234	Clutch Lever -R.H.	37	714-0104	Hairpin Clip
5	705-5274	Handle Support Brkt. R.H.	38	725-0157	Cable Tie
6	705-5275	Handle Support Brkt. L.H.	39	731-0851A	Chute Flange Keepers
7	710-0459A	Hex Bolt 3/8-24 x 1.5" Lg.	40	736-0119	L-Wash. 5/16" I.D.
8	710-0788	Hex TT-Tap Scr. 1/4-20 x 1"	41	736-0185	FI-Wash. .406" I.D.
9	710-1003	Hex B-Tap Scr. #10-16 x .62	42	736-0242	Bell-Wash. .34' I.D.
10	710-1652	Hex TT-Tap Scr. 1/4-20 x .6	43	736-0275	Flat Wash. 5/16"
11	712-0116	Hex Jam Nut 3/8-24 Thd.	44	746-0778	"Z" Fitting
12	712-0415	Self Threading Nut	45	746-0950	Control Trigger
13	720-0232	Shift Knob	46	750-1032	Spacer .325" I.D.
14	725-1300	Headlight	47	784-5599	Handle Tab
15	731-1317	Headlight Bezel	48	710-0276	Carriage Bolt
16	732-0193	Compression Spring	49	710-0451	Carriage Bolt 5/16-18 x .75
17	735-0199A	Rubber Bumper	50	712-0429	Hex L-Nut 5/16-18 Thd.
18	736-0105	Bell-Wash. .4" I.D.	51	720-0284	Wing Nut Knob Ass'y.
19	747-0921	Shift Rod	52	731-0921	Upper Chute
20	684-0008A	Shift Arm	53	731-1300A	Lower Chute
21	720-0274	Grip	54	736-0159	FI-Wash. .349 I.D.
22	749-0910B	Handle R.H.	55	684-0022	Chute Crank Ass'y.
23	749-0911B	Handle L.H.	56	715-0138	Roll Pin
24	784-5619A	Shift Handle	57	720-0201A	Chute Crank Knob
25	710-0262	Carriage Bolt	58	726-0100	Push Cap
26	710-0890A	Shear Bolt	59	735-0234	Grommet
27	710-1233	Mach. Scr. #10-24 x 1.37	60	747-0697	Eyebolt
28	710-3008	Hex Bolt 5/16-18 x .75" Lg.	61	712-0121	Hex Jam Nut #10-24 Thd.
29	710-3015	Hex Bolt 1/4-20 x .75' Lg.			
30	710-3103	Hex Bolt 5/16-18 x 2" Lg.			
31	710-3180	Hex Bolt 5/16-18 x 1.75" Lg.			
32	711-0677	Ferrule			
33	712-0127	Flat Weld Nut #10-24 thd.			

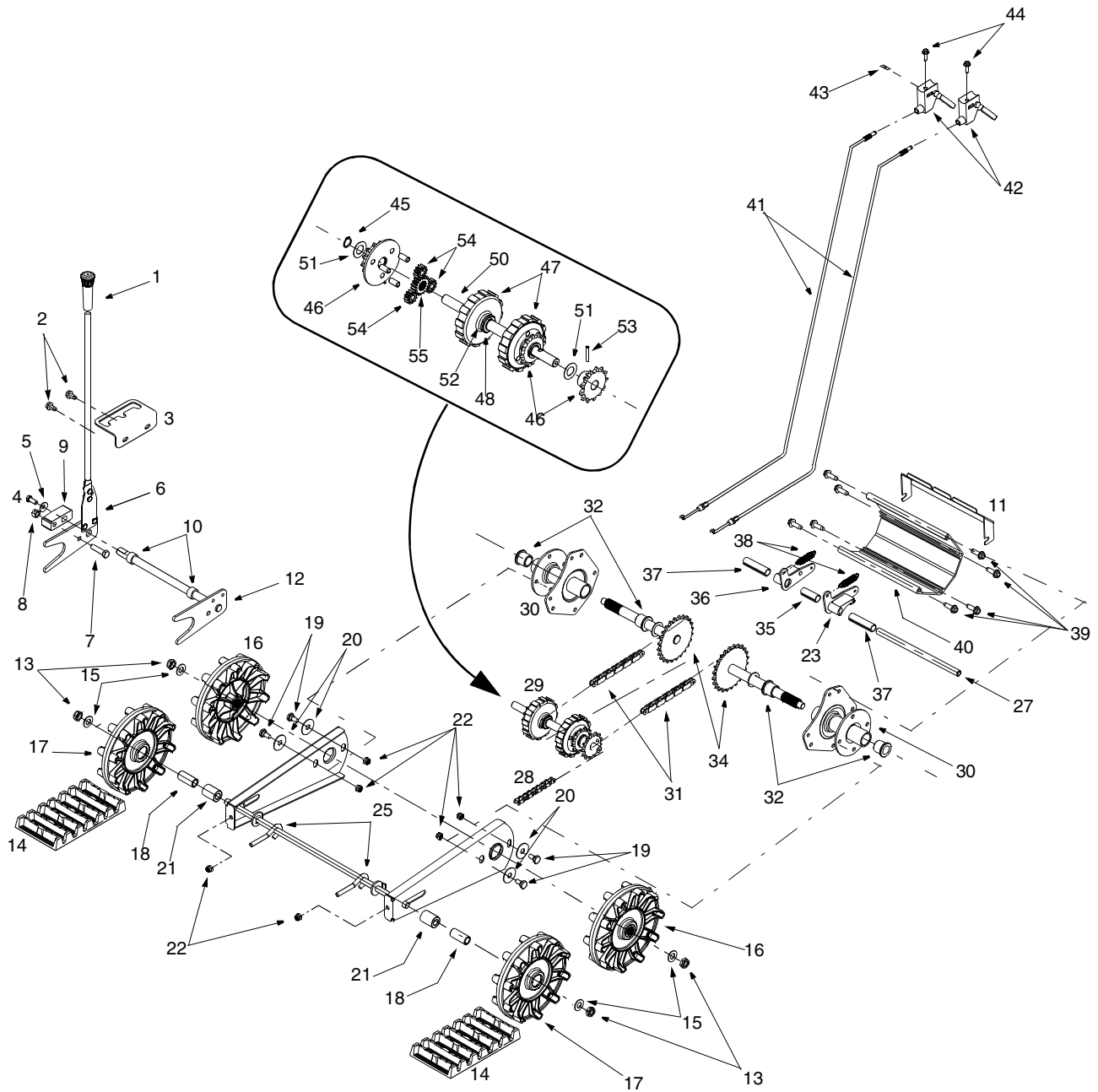




# Frame Assembly

REF. NO.	PART NO.	DESCRIPTION
1	784-5684	Frame Cover
2	710-1652	Tap Screw, 1/4-20 x .625
3	748-0190	Spacer, .508 ID x .75 OD x .68
4	732-0264	Ext. Spring
5	712-0711	Jam Nut, 3/8-24
6	736-0105	Bell Washer, .401 x .87 x .063
7	684-0021	Friction Wheel Support Bracket Assembly
8	746-0898	Drive Cable, 39.88"
9	656-0012A	Friction Disc
10	784-5689A	Front Support Guide Bracket
11	713-0413	Ten-Tooth Sprocket
12	746-0897	Auger Cable, 44.75"
13	750-0997	Spacer, .675 ID x 1 OD x .23
14	711-1042	Hex Track Shaft
15	684-0042B	Friction Wheel Assembly
16	736-0160	Flat Washer, .536 ID x .93 OD x .05
17	714-0474	Cotter Pin
18	741-0563	Ball Bearing
19	736-0242	Bell Washer, .34 ID x .872 OD
20	710-0538	Hex Cap Screw, 5/16-18 x .625
21	710-0857	Tap Screw, 1/4-20 x .75
22	736-0270	Bell Washer, .265 x .75 x .062
23	736-0176	Flat Washer, 1/4 ID x .93 OD x .12
24	741-1111	Hex Flange Bearing
25	710-0643	Hex Cap Screw, 5/16-18 x 1
26	748-0234	Shoulder Spacer
27	710-0604	Tap Screw, 5/16-18 x .625
28	684-0031	Frame Assembly
29	738-0924	Spacer
30	756-0625	Cable Roller
31	784-5688	Drive Cable Guide Bracket
32	710-0599	Tap Screw, 1/4-20 x .5
33	784-5590	Shift Frame Bracket
34	684-0014B	Shift Rod Assembly
35	784-5687A	Auger Cable Guide Bracket
36	710-0788	Tap Screw, 1/4-20 x 1
37	618-0063	Friction Wheel Bearing
38	718-0301A	Friction Wheel Hub
39	735-0243	Friction Wheel Rubber
40	784-5617A	Friction Plate

# Model E762F

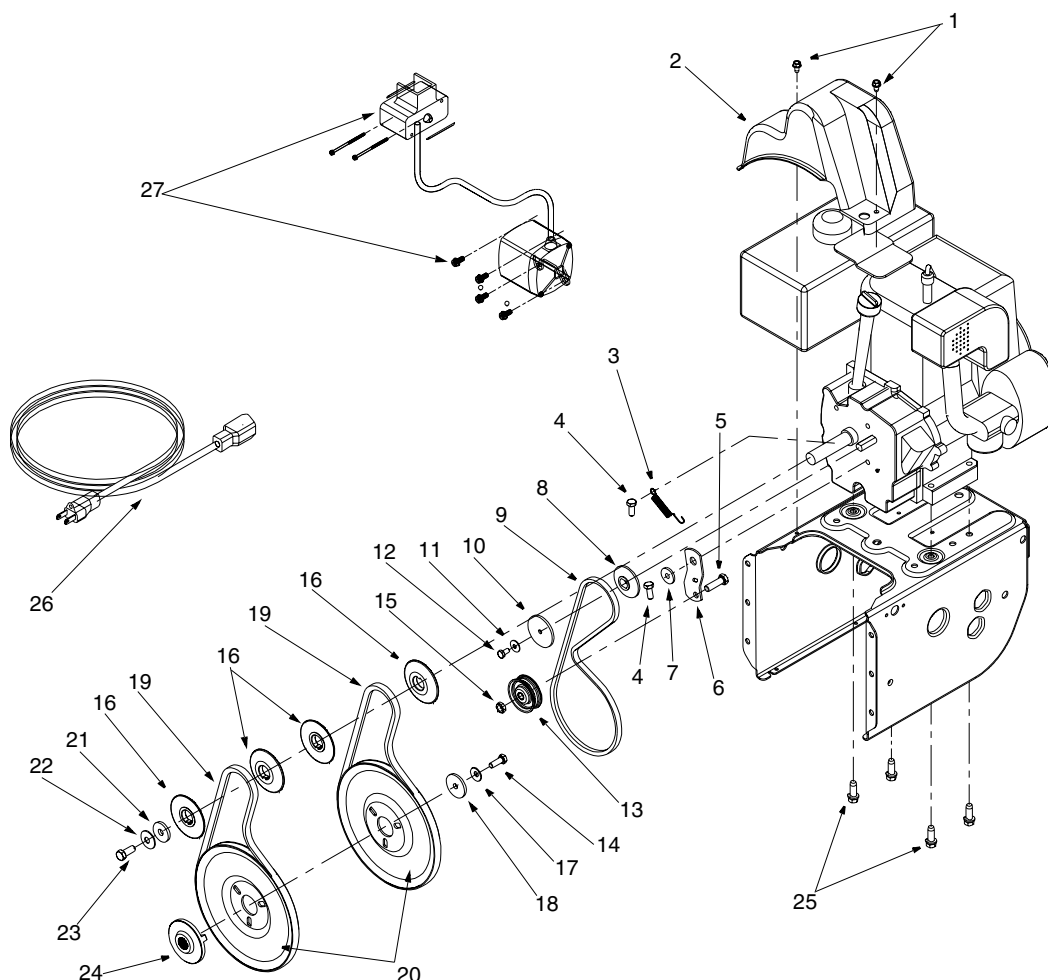


# Track Assembly

REF. NO.	PART NO.	DESCRIPTION
1	720-0223	Grip
2	710-0604	Tap Screw, 5/16-18 x .625
3	784-5642	Track Lockout Plate
4	710-0157	Hex Cap Screw, 5/16-24 x .75
5	736-0242	Bell Washer, .34 ID x .872 OD
6	684-0038	Track Lock Handle Assembly
7	710-0459A	Hex Cap Screw, 3/8-24 x 1.5
8	712-0214	Hex Nut, 3/8-24
9	748-0353A	Lift Shaft Drive
10	750-0547	Spacer, .628 ID x .875 OD x .5
11	784-5609	Steering Cable Bracket
12	684-0009	Track Pivot Rod Assembly
13	712-0346	Jam Nut, 1/2-20
14	731-1292	Snow Track
15	736-0272	Flat Washer, .5 x 1 x .06
16	731-1538A	Track Drive Wheel
17	631-0032	Track Idler Wheel
18	750-0995	Spacer, .51 ID x .75 OD x 1.67
19	738-0140	Shoulder Screw, .435 x .178-5/16 x .56
20	736-0406	Flat Washer, .442 x 1.38 x .06
21	750-0909	Spacer, .51 ID x 1 OD x 1.34
22	712-0429	Hex Nut, 5/16-18
23	618-0044	LH Dogg Assembly
24	684-0024	Idler Axle Assembly
25	710-1231	Eye Bolt, 5/16-18 x 3
26	784-5639	Track Side Plate
27	711-0911	Actuator Shaft
28	713-0233	Chain
29	618-0169	Track/Steering Shaft Assembly
30	683-0024	Track Hub Assembly
31	713-0437	Chain
32	741-0339	Flange Bearing
33	736-0287	Flat Washer, .793 x 1.24 x .06
34	611-0053	Axle Assembly
35	750-0904	Split Spacer, .514 x .630 x 1.59
36	618-0043	RH Dogg Assembly
37	750-0903	Split Spacer, .514 x .630 x 2.44
38	732-0209	Ext. Spring
39	710-0602	Tap Screw, 5/16-18 x 1
40	719-0295A	Track Housing
41	746-0948	Steering Cable
42	746-0950	Steering Trigger
43	712-0127	Flange Nut
44	710-1233	Scrwe, #10-24 x 1.375
45	716-0114	Retaining Ring
46	618-0046	Carrier Assembly
47	717-1211	Ring Gear
48	716-0115	Retaining Ring
49	713-0414	13-Tooth Sprocket
50	711-0912	Track Steering Drive Shaft
51	736-0502	Flat Washer, .58 x 1.06 x .02
52	736-0336	Flat Washer, 5/8 x 1 x .03
53	715-0120	Spirol Pin, 3/16 x 1
54	717-1209	12-Tooth Gear
55	717-1210	18-Tooth Gear

# Model E762F

# Engine and V-Belts



REF. NO.	PART NO.	DESCRIPTION	REF. NO.	PART NO.	DESCRIPTION
1	710-1652	Hex Washer Screw 1/4-20 x .50	15	712-0181	Lock Jam Nut 3/8-16
2	731-1324	Belt Cover	16	756-0569	Pulley Half
3	732-0710	Extension Spring	17	736-0242	Bell Washer
4	710-0627	Hex Screw 5/16-24 x .75	18	736-0505	Flat Washer
5	710-3005	Hex Cap Screw 3/8-16 x 1.25	19	754-0430A	Belt
6	05896A	Drive Clutch Idler Bracket	20	756-0967	Auger Pulley
7	748-0234	Shoulder Spacer	21	736-0247	Flat Washer 3/8 x 1.25 OD
8	756-0987	Pulley Half	22	736-0331	Bell Washer
9	754-0346	V-Belt	23	710-0696	Hex Cap Screw 3/8-24
10	756-0986	Pulley Half	24	748-0360	Adapter Pulley
11	736-0270	Bell Washer	25	710-0654A	Hex Tap Screw, 3/8-16 x 1
12	710-0230	Hex Cap Screw 1/4-28 x .50	26	629-0071	Extension Cord
13	756-0313	Flat Idler	27	OEM-390-987	Electric Start Kit
14	710-1245	Lock Hex Cap Screw 5/16-24			



# MANUFACTURER'S LIMITED WARRANTY FOR:



The limited warranty set forth below is given by MTD PRODUCTS INC ("MTD") with respect to new merchandise purchased and used in the United States, its possessions and territories.

MTD warrants this product against defects in material and workmanship for a period of two (2) years commencing on the date of original purchase and will, at its option, repair or replace, free of charge, any part found to be defective in material or workmanship. This limited warranty shall only apply if this product has been operated and maintained in accordance with the Operator's Manual furnished with the product, and has not been subject to misuse, abuse, commercial use, neglect, accident, improper maintenance, alteration, vandalism, theft, fire, water or damage because of other peril or natural disaster. Damage resulting from the installation or use of any accessory or attachment not approved by MTD Products Inc. for use with the product(s) covered by this manual will void your warranty as to any resulting damages.

Normal wear parts or components thereof are subject to separate terms as follows: All normal wear part or component failures will be covered on the product for a period of 90 days regardless of cause. After 90 days, but within the two year period, normal wear part failures will be covered ONLY IF caused by defects in material or workmanship of OTHER component parts. Normal wear parts and components include, but are not limited to, belts, blades, blade adapters, grass bags, rider deck wheels, seats, snow thrower skid shoes, shave plates and tires. Batteries are covered by a 90-day limited replacement warranty.

**HOW TO OBTAIN SERVICE:** Warranty service is available, WITH PROOF OF PURCHASE THROUGH YOUR LOCAL AUTHORIZED SERVICE DEALER. To locate the dealer in your area, please check for a listing in the Yellow Pages or contact the Customer Service Department of MTD PRODUCTS INC by calling 1-800-800-7310 or writing to P.O. Box 368022, Cleveland, Ohio 44136-9722. No product returned directly to the factory will be accepted unless prior written permission has been extended by the Customer Service Department of MTD PRODUCTS INC.

**This limited warranty does not provide coverage in the following cases:**

- a. The engine or component parts thereof. These items carry a separate manufacturer's warranty. Please refer to the applicable manufacturer's warranty on these items.

- b. Routine maintenance items such as lubricants, filters, blade sharpening and tune-ups, or adjustments such as brake adjustments, clutch adjustments or deck adjustments; and normal deterioration of the exterior finish due to use or exposure.
- c. Log splitter pumps, valves and cylinders have a separate one year warranty.
- d. MTD does not extend any warranty for products sold or exported outside of the United States of America, its possessions and territories, except those sold through MTD's authorized channels of export distribution.

**No implied warranty, including any implied warranty of merchantability or fitness for a particular purpose, applies after the applicable period of express written warranty above as to the parts as identified. No other express warranty or guaranty, whether written or oral, except as mentioned above, given by any person or entity, including a dealer or retailer, with respect to any product shall bind MTD. During the period of the Warranty, the exclusive remedy is repair or replacement of the product as set forth above.** (Some states do not allow limitations on how long an implied warranty lasts, so the above limitation may not apply to you.)

**The provisions as set forth in this Warranty provide the sole and exclusive remedy arising from the sales. MTD shall not be liable for incidental or consequential loss or damages including, without limitation, expenses incurred for substitute or replacement lawn care services, for transportation or for related expenses, or for rental expenses to temporarily replace a warranted product.** (Some states do not allow the exclusion or limitation of incidental or consequential damages, so the above exclusion or limitation may not apply to you.)

In no event shall recovery of any kind be greater than the amount of the purchase price of the product sold. Alteration of the safety features of the product shall void this Warranty. You assume the risk and liability for loss, damage, or injury to you and your property and/or to others and their property arising out of the use or misuse or inability to use the product.

This limited warranty shall not extend to anyone other than the original purchaser, original lessee or the person for whom it was purchased as a gift.

**How State Law Relates to this Warranty:** This limited warranty gives you specific legal rights, and you may also have other rights which vary from state to state.

## Free Manuals Download Website

<http://myh66.com>

<http://usermanuals.us>

<http://www.somanuals.com>

<http://www.4manuals.cc>

<http://www.manual-lib.com>

<http://www.404manual.com>

<http://www.luxmanual.com>

<http://aubethermostatmanual.com>

Golf course search by state

<http://golfingnear.com>

Email search by domain

<http://emailbydomain.com>

Auto manuals search

<http://auto.somanuals.com>

TV manuals search

<http://tv.somanuals.com>