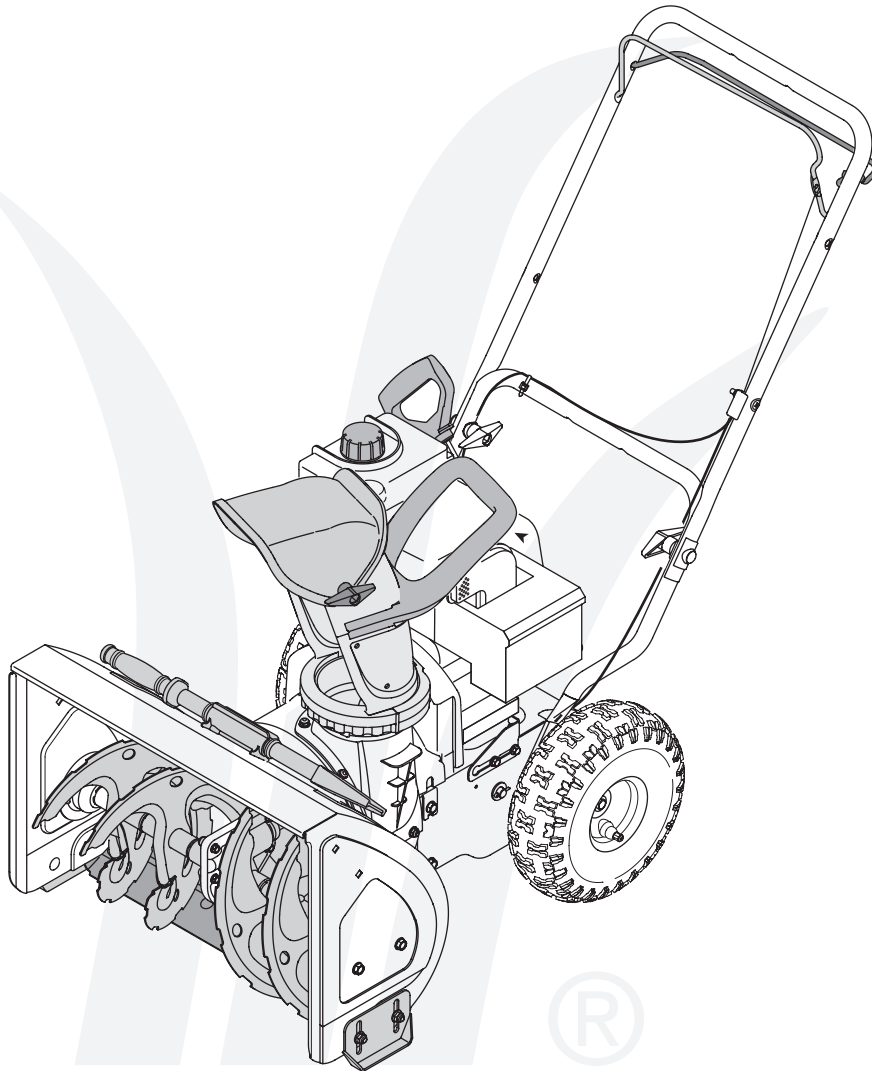


# OPERATOR'S MANUAL



## Two-Stage Snow Thrower

### **IMPORTANT:**

**READ SAFETY RULES AND INSTRUCTIONS  
CAREFULLY BEFORE OPERATING EQUIPMENT.**

This Operator's Manual is an important part of your new snow thrower. It will help you assemble, prepare and maintain the unit for best performance. Please read and understand what it says.

## Table of Contents

Safety Labels .....	3	Adjustments & Maintenance .....	12
Safe Operation Practices.....	4	Off-Season Storage .....	14
Setting Up Your Snow Thrower.....	6	Trouble Shooting .....	15
Know Your Snow Thrower .....	8	Illustrated Parts Lists .....	16
Operating Your Snow Thrower.....	9	Warranty .....	20

## Finding and Recording Model Number

BEFORE YOU START ASSEMBLING YOUR NEW EQUIPMENT, please locate the model plate on the equipment and copy the model number and the serial number to the sample model plate provided to the right. You can locate the model plate by standing at the operating position and looking down at the frame.

Model Number Numéro de modèle	Serial Number Numéro de série
XXXXXXXXXX	XXXXXXXXXX
 <b>MTD</b> PRODUCTS LIMITED KITCHENER, ON N2G 4J1 1-800-668-1238 www.mtdcanada.com	

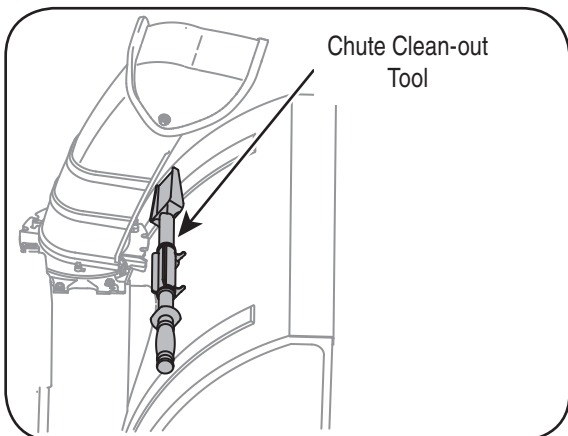
## Customer Support

Please do **NOT** return the unit to the retailer from which it was purchased, without first contacting Customer Support.

If you have difficulty assembling this product or have any questions regarding the controls, operation or maintenance of this unit, you can seek help from the experts. Choose from the options below:

1. Visit [www.mtdcanada.ca](http://www.mtdcanada.ca) for many useful suggestions, click on Customer Support button.
2. Call a Customer Support Representative at **1-800-668-1238**.
3. The engine manufacturer is responsible for all engine-related issues in terms of performance, power-rating, specifications, warranty, and service. Depending on the engine manufacturer, more information is included in this publication or packed separately with this product.

Please have your unit's model number and serial number ready when you call. See previous section to locate this information. You will be asked to enter the serial number in order to process your call.



A **chute clean-out tool** is fastened to the top of the auger housing with a mounting clip. The tool is designed to clear a chute assembly of ice and snow.

This item is fastened with a cable tie at the factory. Cut the cable tie before operating the snow thrower.



**WARNING:** Never use your hands to clear a clogged chute assembly. Shut off engine and remain behind handles until all moving parts have stopped before using the clean-out tool to clear the chute assembly.

# 1

## Safety Labels



### WARNING

This symbol points out important safety instructions which, if not followed, could endanger the personal safety and/or property of yourself and others. Read and follow all instructions in this manual before attempting to operate this machine. Failure to comply with these instructions may result in personal injury. When you see this symbol, **HEED ITS WARNING!**

#### Your Responsibility

Restrict the use of this power machine to persons who read, understand and follow the warnings and instructions in this manual and on the machine.

# 2

## Safe Operation Practices



### WARNING

This symbol points out important safety instructions which, if not followed, could endanger the personal safety and/or property of yourself and others. Read and follow all instructions in this manual before attempting to operate this machine. Failure to comply with these instructions may result in personal injury. When you see this symbol, HEED

#### ITS WARNING!

#### Your Responsibility

Restrict the use of this power machine to persons who read, understand and follow the warnings and instructions in this manual and on the machine.



**WARNING:** Engine Exhaust, some of its constituents, and certain vehicle components contain or emit chemicals known to State of California to cause cancer and birth defects or other reproductive harm.

**DANGER:** This machine was built to be operated according to the safe operation practices in this manual. As with any type of power equipment, carelessness or error on the part of the operator can result in serious injury. This machine is capable of amputating hands and feet and throwing objects. Failure to observe the following safety instructions could result in serious injury or death.

### Training

1. Read, understand, and follow all instructions on the machine and in the manual(s) before attempting to assemble and operate. Keep this manual in a safe place for future and regular reference and for ordering replacement parts.
2. Be familiar with all controls and their proper operation. Know how to stop the machine and disengage them quickly.
3. Never allow children under 14 years old to operate this machine. Children 14 years old and over should read and understand the instructions and safe operation practices in this manual and on the machine and be trained and supervised by an adult.
4. Never allow adults to operate this machine without proper instruction.
5. Thrown objects can cause serious personal injury. Plan your snow-throwing pattern to avoid discharge of material toward roads, bystanders and the like.
6. Keep bystanders, helpers, pets and children at least 75 feet from the machine while it is in operation. Stop machine if anyone enters the area.
7. Exercise caution to avoid slipping or falling, especially when operating in reverse.

### Preparation

1. Thoroughly inspect the area where the equipment is to be used. Remove all doormats, newspapers, sleds, boards, wires and other foreign objects, which could be tripped over or thrown by the auger/impeller.
2. Always wear safety glasses or eye shields during operation and while performing an adjustment or repair to protect your eyes. Thrown objects which ricochet can cause serious injury to the eyes.
3. Do not operate without wearing adequate winter outer garments. Do not wear jewelry, long scarves or other loose clothing, which could become entangled in moving parts. Wear footwear which will improve footing on slippery surfaces.
4. Use a grounded three-wire extension cord and receptacle for all units with electric start engines.
5. Adjust collector housing height to clear gravel or crushed rock surfaces.
6. Disengage all control levers before starting the engine.
7. Never attempt to make any adjustments while engine is running, except where specifically recommended in the operator's manual.
8. Let engine and machine adjust to outdoor temperature before starting to clear snow.

### Safe Handling of Gasoline

To avoid personal injury or property damage use extreme care in handling gasoline. Gasoline is extremely flammable and the vapors are explosive. Serious personal injury can occur when gasoline is spilled on yourself or your clothes, which can ignite. Wash your skin and change clothes immediately.

- a. Use only an approved gasoline container.
- b. Extinguish all cigarettes, cigars, pipes and other sources of ignition.
- c. Never fuel machine indoors.
- d. Never remove gas cap or add fuel while the engine is hot or running.
- e. Allow engine to cool at least two minutes before refueling.
- f. Never over fill fuel tank. Fill tank to no more than ½ inch below bottom of filler neck to provide space for fuel expansion.
- g. Replace gasoline cap and tighten securely.
- h. If gasoline is spilled, wipe it off the engine and equipment. Move machine to another area. Wait 5 minutes before starting the engine.
- i. Never store the machine or fuel container inside where there is an open flame, spark or pilot light (e.g. furnace, water heater, space heater, clothes dryer etc.).
- j. Allow machine to cool at least 5 minutes before storing.

## Operation

1. Do not put hands or feet near rotating parts, in the auger/impeller housing or chute assembly. Contact with the rotating parts can amputate hands and feet.
2. The auger/impeller control lever is a safety device. Never bypass its operation. Doing so makes the machine unsafe and may cause personal injury.
3. The control levers must operate easily in both directions and automatically return to the disengaged position when released.
4. Never operate with a missing or damaged chute assembly. Keep all safety devices in place and working.
5. Never run an engine indoors or in a poorly ventilated area. Engine exhaust contains carbon monoxide, an odorless and deadly gas.
6. Do not operate machine while under the influence of alcohol or drugs.
7. Muffler and engine become hot and can cause a burn. Do not touch.
8. Exercise extreme caution when operating on or crossing gravel surfaces. Stay alert for hidden hazards or traffic.
9. Exercise caution when changing direction and while operating on slopes.
10. Plan your snow-throwing pattern to avoid discharge towards windows, walls, cars etc. Thus, avoiding possible property damage or personal injury caused by a ricochet.
11. Never direct discharge at children, bystanders and pets or allow anyone in front of the machine.
12. Do not overload machine capacity by attempting to clear snow at too fast of a rate.
13. Never operate this machine without good visibility or light. Always be sure of your footing and keep a firm hold on the handles. Walk, never run.
14. Disengage power to the auger/impeller when transporting or not in use.
15. Never operate machine at high transport speeds on slippery surfaces. Look down and behind and use care when backing up.
16. If the machine should start to vibrate abnormally, stop the engine, disconnect the spark plug wire and ground it against the engine. Inspect thoroughly for damage. Repair any damage before starting and operating.
17. Disengage all control levers and stop engine before you leave the operating position (behind the handles). Wait until the auger/impeller comes to a complete stop before unclogging the chute assembly, making any adjustments, or inspections.
18. Never put your hand in the discharge or collector openings. Always use the clean-out tool provided to unclog the discharge opening. Do not unclog chute assembly while engine is running. Shut off engine and remain behind handles until all moving parts have stopped before unclogging.
19. Use only attachments and accessories approved by the manufacturer (e.g. wheel weights, tire chains, cabs etc.).
20. If situations occur which are not covered in this manual, use care and good judgment. Call customer assistance for the name of your nearest servicing dealer.

## Maintenance & Storage

1. Never tamper with safety devices. Check their proper operation regularly. Refer to the maintenance and adjustment sections of this manual.
2. Before cleaning, repairing, or inspecting machine disengage all control levers and stop the engine. Wait until the auger/impeller come to a complete stop. Disconnect the spark plug wire and ground against the engine to prevent unintended starting.
3. Check bolts and screws for proper tightness at frequent intervals to keep the machine in safe working condition. Also, visually inspect machine for any damage.
4. Do not change the engine governor setting or over-speed the engine. The governor controls the maximum safe operating speed of the engine.
5. Snow thrower shave plates and skid shoes are subject to wear and damage. For your safety protection, frequently check all components and replace with original equipment manufacturer's (OEM) parts only. "Use of parts which do not meet the original equipment specifications may lead to improper performance and compromise safety!"
6. Check controls periodically to verify they engage and disengage properly and adjust, if necessary. Refer to the adjustment section in this operator's manual for instructions.
7. Maintain or replace safety and instruction labels, as necessary.
8. Observe proper disposal laws and regulations for gas, oil, etc. to protect the environment.
9. Prior to storing, run machine a few minutes to clear snow from machine and prevent freeze up of auger/impeller.
10. Never store the machine or fuel container inside where there is an open flame, spark or pilot light such as a water heater, furnace, clothes dryer etc.
11. Always refer to the operator's manual for proper instructions on off-season storage.

### Do not modify engine

To avoid serious injury or death, do not modify engine in any way. Tampering with the governor setting can lead to a runaway engine and cause it to operate at unsafe speeds. Never tamper with factory setting of engine governor.

### Notice regarding Emissions

Engines which are certified to comply with California and federal EPA emission regulations for SORE (Small Off Road Equipment) are certified to operate on regular unleaded gasoline, and may include the following emission control systems: Engine Modification (EM) and Three Way Catalyst (TWC) if so equipped.

### Average Useful Life

According to the Consumer Products Safety Commission (CPSC) and the U.S. Environmental Protection Agency (EPA), this product has an *Average Useful Life* of seven (7) years, or 60 hours of operation. At the end of the *Average Useful Life*, buy a new machine or have the machine inspected annually by an authorized service dealer to ensure that all mechanical and safety systems are working properly and not worn excessively. Failure to do so can result in accidents, injuries or death.

# 2

## Safe Operation Practices



### WARNING

This symbol points out important safety instructions, which if not followed, could endanger the personal safety and/or property of yourself and others. Read and follow all instructions in this manual before attempting to operate this machine. Failure to comply with these instructions may result in personal injury. When you see this symbol, HEED IT'S WARNING!

**Your Responsibility**  
Restrict the use of this power machine to persons who read, understand and follow the warnings and instructions in this manual and on the machine.

# 3

## Setup And Adjustment



### WARNING

Always stop engine, disconnect spark plug, and ground against engine before cleaning, lubricating or doing any kind of maintenance or adjustments on your machine.

**DO NOT LIFT MACHINE WITH CHUTE HANDLE.**

**NOTE:** Never replace the auger shear pins with standard pins. Any damage to the auger gearbox or other components, as a result of doing so, will NOT be covered by your snow thrower's warranty.

Never use your hands to clean snow and ice from the chute assembly or auger housing..

**IMPORTANT:** This unit is shipped WITH OIL and WITHOUT GASOLINE. After assembly refer to separate engine manual for proper fuel and engine oil recommendations.

**NOTE:** Reference to right hand or left hand side of machine are observed from the operating position.

**NOTE:** This Operator's Manual covers several models. Snow thrower features vary by model. Not all features discussed in this manual are applicable to all snow thrower models.

### Before Assembly



**WARNING:** Disconnect the spark plug wire and Ground it against the engine to prevent unintended starting.

1. Cut the cable tie that secures the upper handle to the chute assembly for shipping purposes.

### Setting Up The Handle

1. Loosen the chute knob on the upper chute(1) and pivot the upper chute upwards(2) as far as it will go. See Figure 1.

**WARNING:** Do not lift the snow thrower by the chute handle.

2. Loosen the handle knob and handle tab on each side of the handle. See Figure 2.
3. Hold both controls against upper handle and pull up as shown in Figure 3. Make sure that the upper handle locks over the lower handle and handle tabs align with the handle. You may have to carefully maneuver the upper handle to clear chute assembly.

**CAUTION:** *Be careful not to bend or kink the cable.*

4. Tighten the handle knobs on each side of the handle. Refer to step 2 in Figure 3.
5. Adjust upper chute and rotate chute handle to desired operating position.
6. Tighten the chute knob on the upper chute making sure the flat washer and the carriage bolt are correctly positioned. Refer to Figure 1.

### Clean-Out Tool

This tool and the electric extension cord, if so equipped, may be fastened with a cable tie to the rear of the auger housing for shipping purposes. In that case, cut the cable tie and remove the extension cord now.

### Final Adjustments

**IMPORTANT:** Check the adjustments as instructed and make any final adjustments necessary before operating the unit. Check all nuts and bolts for tightness. Failure to follow these instructions may cause damage to unit.

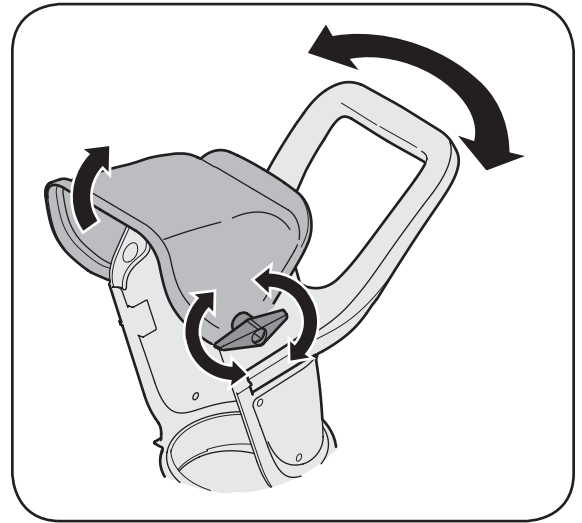


Figure 1

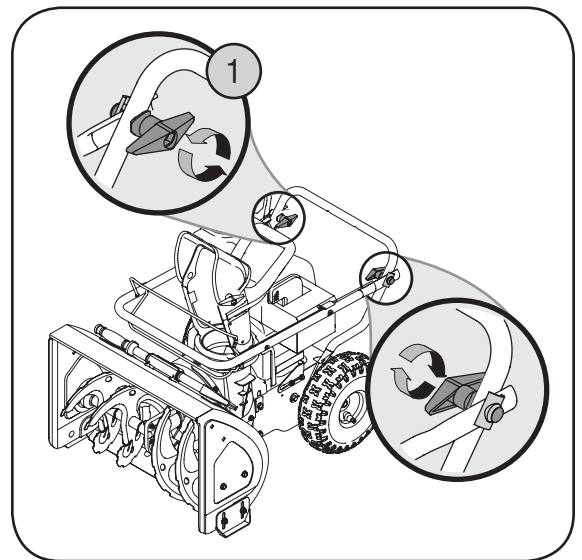


Figure 2

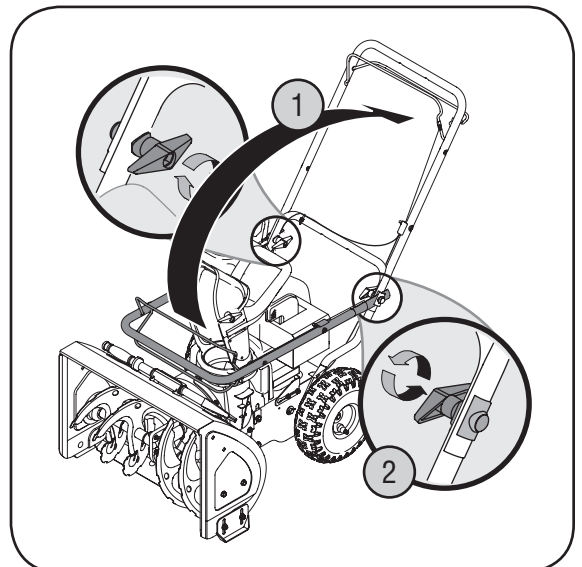


Figure 3

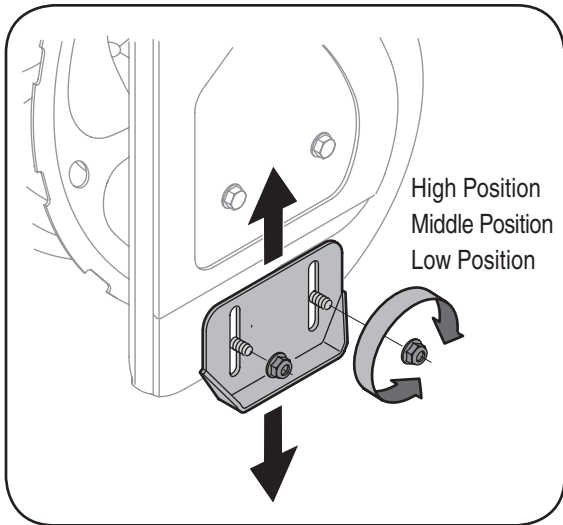


Figure 4

## Tire Pressure

The proper inflation pressure is 20 psi. Check the tire pressure periodically and maintain equal pressure in both tires at all times. Excessive pressure (well above 20 psi) may cause the wheel (tire/rim) assembly to burst with sufficient force to cause serious injury. Do not over-inflate the tire. Use a manual pump or portable electric tire inflator to prevent over-inflation. **NEVER USE AN AIR COMPRESSOR.**

## Skid Shoe

The space between the shave plate and the ground can be adjusted. See Figure 7. For close snow removal, place skid shoes in the low position. When the area to be cleared is uneven, place skid shoes in the middle or high position. See Figure 4.

1. Adjust skid shoes by loosening two hex nuts and carriage bolts on each skid shoe, and moving the skid shoe to the desired position. See Figure 4.
2. Make certain the entire bottom surface of skid shoe is against the ground to avoid uneven wear on the skid shoes.
3. Tighten nuts and bolts securely.

## Routing The Drive Cable

1. Make sure that the drive cable is routed parallel to the left upper handle, then across the top of the lower handle and finally parallel to the right lower handle. See Figure 5.
2. Three cable ties have been used to loosely tie the two control cables to the lower handle. Two of these cable ties are on each arm, and third on the top cross bar of the lower handle. Tighten these cable ties to secure the cable to the lower handle. See Figure 5.

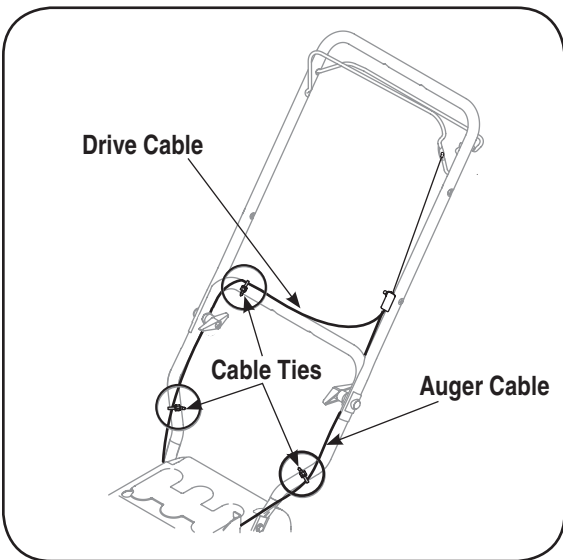


Figure 5

## Auger Cable

Periodic adjustment to the auger control cable may be required due to normal stretch and wear on the belt. Adjustment is needed if the augers seem to hesitate while turning, but the engine maintains speed, or continue turning with the auger control disengaged.

1. Loosen the rear hex bolt on the cable adjustment bracket. See Figure 6.
2. Slide the cable adjustment bracket backwards taking out the slack in the auger cable.
3. Retighten the rear hex bolt
4. Start engine and verify auger control engages and disengages properly.

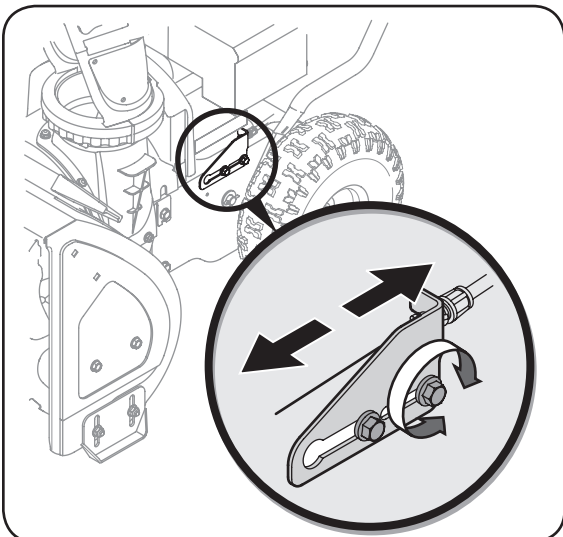


Figure 6

# 3

## Setting Up Your Snow Thrower



**WARNING**

**Do not over-tighten the cable. Over-tightening may prevent the auger from disengaging and compromise the safety of the snow thrower.**

**If auger continues to rotate with the control disengaged, shut off engine and readjust.**

**Never attempt to clean chute or make any adjustment while engine is running.**

**Over-inflating the tire with excessive pressure (well above 20 psi) may cause the tire/rim to burst with sufficient force to cause serious pressure.**

# 4

## Know Your Snow Thrower



### WARNING

Be familiar with all the controls on the snow thrower and their proper operation. Know how to stop the machine and disengage them quickly.

Never make adjustments to the chute assembly unless both controls are disengaged and the operator is standing beside the unit.

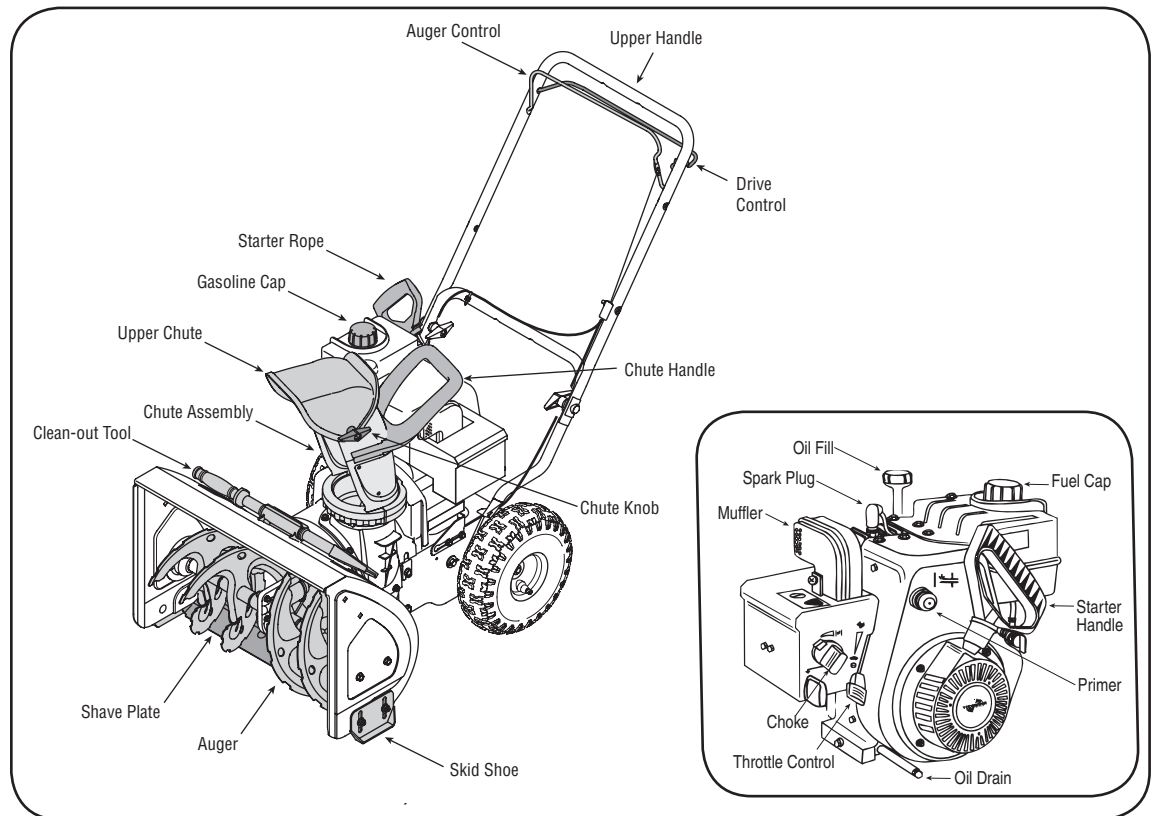


Figure 7

### Throttle Control

The throttle control is located on the engine. It regulates the speed of the engine and also stops the engine.

### Drive Control

Located on the underside of the upper handle, the drive control is used to engage/disengage wheels. Pull the drive control against the upper handle to engage the wheels; release to disengage.

### Auger Control

Located on the top side of the upper handle, the auger control is used to engage and disengage the augers. Pull the auger control back against the upper handle to engage the augers; release to disengage.

**IMPORTANT:** Refer to Auger Control Test on page 10 prior to operating your snow thrower. Read and follow all instructions carefully and perform all adjustments to verify your snow thrower is operating safely and properly.

### Discharge Chute

The direction snow is thrown can be changed by turning the lower chute with the chute handle. The distance snow is thrown can be adjusted by raising the upper chute for greater distance, or lowering for less distance. Loosen the wing nut on the side of the discharge chute to adjust. Pivot the chute to desired position, and retighten wing nut.

### Ignition Key

The ignition key must be inserted and snapped in place in order for the engine to start. Remove the ignition key to prevent unauthorized use of equipment. Do NOT attempt to turn the key.

### Shave Plate

The shave plate maintains contact with pavement as the snow thrower is propelled, allowing snow close to pavement's surface to be discharged.

### Skid Shoe

The space between the shave plate and the ground can be adjusted. For close snow removal, place skid shoes in the low position. Use middle or high position when area to be cleared is uneven or on gravel surfaces.

### Engine Operating Controls

Refer to the separate engine manual for engine operating controls and their functions.



## Before Starting Engine



**ATTENTION: YOU MUST CHECK OIL LEVEL BEFORE OPERATION. LEVEL MUST BE AT FULL MARK ON DIPSTICK BEFORE ENGINE IS STARTED.**

**NOTE:** Failure to follow this procedure may result in serious engine damage which will not be covered by warranty.

## Gas and Oil Fill-up

- Service the engine with gasoline and oil as instructed in the separate engine manual packed with your snowthrower. Read instructions carefully.



**WARNING: Never fill fuel tank indoors. Never fill fuel tank with engine running or while engine is hot. Do not smoke when filling fuel tank.**

- Attach spark plug wire to spark plug. Make certain the metal loop on the end of the spark plug wire (inside the boot) is fastened securely over the metal tip on the spark plug.
- Make certain the auger and drive control bails are in the disengaged (released) position.

**IMPORTANT:** ENGINE WILL NOT START UNLESS IGNITION KEY IS INSERTED INTO IGNITION SLOT IN CARBURETOR COVER. DO NOT TURN IGNITION KEY.

## To Start Engine

- Move choke lever to FULL CHOKE position (cold engine start). If engine is warm, place choke in OFF position instead of ON.
- Push primer button two or three times. If unit is equipped with an electric starter, push primer button one time only. If engine is warm, do not prime.

**NOTE:** Always cover vent hole in primer button with finger while pushing. Additional priming may be necessary for the first start if temperature is below 15°F (-9°C).

- Make certain the auger and drive control bails are in the disengaged (released) position.
- Move throttle control up to FAST position. Make certain the ignition key is in the ignition slot. Be certain it snaps into place. Do not turn key.

## Electric Starter (Optional)



**WARNING: The optional electric starter is equipped with a three-wire power cord and plug, and is designed to operate on 120 volt AC Household current. It must be properly grounded at all times to avoid the possibility of electric shock which may be injurious to the operator.**

Follow all instructions carefully. Determine that your house wiring is a three wire grounded system. Ask a licensed electrician if you are not certain. If your house wiring system is not a three-wire grounded system, do not use this electric starter under any conditions. If your system is grounded and a three hole receptacle is not available at the point your starter will normally be used, one should be installed by a licensed electrician.



**WARNING: When connecting "power cord", first connect cord to "switch box" on engine, and then plug the other end into a three-wire grounded household receptacle. When disconnecting power cord, always unplug the end in the household receptacle first.**

- Connect power cord to switch box on engine. Plug the other end of power cord into a three-wire, grounded 120 volt AC receptacle.
- Push starter button to engage starter motor and crank engine. (When engaging the electric starter, a slight hesitation of a few seconds may occur before the engine starts to turn. This is normal and is not harmful to the engine.)
- When engine starts, release starter button, and move choke gradually to OFF. If engine falters, move choke immediately to FULL and then gradually to OFF.

**CAUTION: This electric starter is not equipped with a thermal cut-out switch. Do not crank engine for more than a total of 20 seconds without allowing electric starter to cool down for 10 minutes or severe damage to electric starter can result.**

**NOTE:** If the starter motor runs but the engine does not turn over, the starter gear is apparently covered with ice and frozen. Place the unit in a warm atmosphere until the gear is free and the starter will engage.

## Recoil Starter

- Grasp starter handle (see Figure ) and pull rope out slowly, until it pulls slightly harder.
- Pull starter handle rapidly. Do not allow handle to snap back. Allow it to rewind slowly while keeping a firm hold on the starter handle. Repeat until engine starts.
- As engine warms up and begins to operate evenly, rotate choke knob slowly to OFF position. If engine falters, return to FULL choke, then slowly move to OFF position.

# 5

## Operation



## WARNING

**Read, understand, and follow all instructions and warnings on the machine and in this manual before operating.**

**Use extreme care when handling gasoline. Gasoline is extremely flammable and the vapors are explosive. Never fuel the machine indoors or while the engine is hot or running. Extinguish cigarettes, cigars, pipes and other sources of ignition.**

**If your home's wiring system is not a three-wire grounded system, do not use this electric starter under any conditions.**

**If your home electrical system is grounded, but a three-hole receptacle is not available, do not use your snow thrower's electric starter.**

# 5

## Operation



### WARNING

The operation of any snow thrower can result in foreign objects being thrown into the eyes, which can damage your eyes severely. Always wear safety glasses while operating the snow thrower, or while performing any adjustments or repairs on it.

Be sure no one other than the operator is standing near the snow thrower while starting engine or operating snow thrower. Never run engine indoors or in enclosed, poorly ventilated areas. Engine exhaust contains carbon monoxide, an odorless and deadly gas. Keep hands, feet, hair and loose clothing away from any moving parts on engine and snow thrower.

### To Stop Engine

- Run engine for a few minutes before stopping to help dry off any moisture on the engine.
- To help prevent possible freeze-up of starter, proceed as follows.

**Optional Electric Starter:** Connect power cord to switch box on engine, then to 120 volt AC receptacle. With the engine running, push starter button and spin the starter for several seconds. The unusual sound made by spinning the starter will not harm engine or starter. Disconnect the power cord from receptacle first, and then from switch box.

**Recoil Starter:** With engine running, pull starter rope with a rapid, continuous full arm stroke three or four times. Pulling the starter rope will produce a loud clattering sound, which is not harmful to the engine or starter. To stop engine, remove the ignition key. Do not turn key. Disconnect the spark plug wire from the spark plug to prevent unintended starting while equipment is unattended.

**NOTE:** Do not lose ignition key. Keep it in a safe place. Engine will not start without the ignition key.

Wipe all snow and moisture from the carburetor cover in the area of the control levers. Also, move control levers back and forth several times.



**WARNING:** The temperature of muffler and the surrounding areas may exceed 150° F. Avoid these areas

### Auger Control Test

**IMPORTANT:** Perform the following test before operating the snow thrower for the first time and at the start of each season.

Check the adjustment of the auger control as follows:

1. When the auger control is released and in the disengaged “up” position, the cable should have very little slack, but should NOT be tight.



**WARNING:** Do not over-tighten the cable. Over-tightening may prevent the auger from disengaging and compromise the safety of the snow thrower.

2. In a well-ventilated area, start the snow thrower engine as instructed earlier in this section under the heading Starting Engine. Make sure the throttle is set in the FAST position.
3. While standing in the operator’s position (behind the snow thrower) engage the auger.
4. Allow the auger to remain engaged for approximately ten (10) seconds before releasing the auger control. Repeat this several times.
5. With the engine running in the FAST position and the auger control in the disengaged “up” position, walk to the front of the machine.

6. Confirm that the auger has completely stopped rotating and shows NO signs of motion.

**IMPORTANT:** If the auger shows ANY signs of rotating, immediately return to the operator’s position and shut off the engine. Wait for all moving parts to stop before readjusting the auger control cable as shown in the “Setup And Adjustment” section on page 7.

### Operating The Snowthrower

**NOTE:** Allow the engine to warm up for a few minutes as the engine will not develop full power until it reaches operating temperature.

- Adjust the discharge chute as desired. Do not throw snow toward a building as hidden objects could be discharged with enough force to cause damage.
- Start the engine as instructed previously.
- Making certain no bystanders or obstacles are in front of the unit, squeeze the auger control bail completely against the upper handle to fully engage the augers. Release the auger control bail and the augers will stop.
- While the auger control handle is engaged, squeeze the drive control bail completely against the upper handle to engage the wheels. Release the drive control bail and the wheels will stop.
- As the snowthrower starts to move, maintain a firm hold on the handle, and guide the snowthrower along the path to be cleared.
- Release the bails to stop the snowthrowing action and forward motion.

**NOTE:** Your unit is equipped with a clutch in the transmission. If the wheels stop turning while trying to discharge large volumes of snow, immediately disengage the drive control bail and allow the rotating augers to discharge snow from the housing. Continue operation reducing clearing width.

## Operating Tips

- For most efficient snow removal, remove snow immediately after it falls.
- Discharge snow downwind whenever possible. Slightly overlap each previous swath.
- Set the slide shoes 1/4" below the shave plate for normal usage. The slide shoes may be adjusted to low position, see Figure for hard-packed snow.

**NOTE:** It is not recommended that you operate this snowthrower on gravel as loose gravel can be easily picked up and thrown by the auger causing personal injury, property damage and/or damage to your snowthrower.

- If for some reason, you have to operate the snowthrower on gravel, keep the slide shoe in the highest position for maximum clearance between the ground and the shave plate.
- Be certain to follow the precautions listed under "To Stop Engine" to prevent possible freeze-up.
- Clean the snowthrower thoroughly after each use.

## Clean-Out Tool



**WARNING:** Never use your hands to clear a clogged chute assembly. Shut off engine and remain behind handles until all moving parts have stopped before unlogging.

- Release both the auger control and the drive/auger control lock.
- Stop the engine by moving the throttle to the stop position.
- Remove the clean-out tool from the mounting clip.
- Use the shovel-shaped end of the clean-out tool to remove any snow and ice in the chute assembly.
- Re-fasten the clean-out tool to the mounting clip on the rear of the auger housing and restart engine.
- While standing in the operator's position (behind the snow thrower), engage the auger control for a few seconds to clear any remaining snow or ice from the chute assembly before continuing to clear snow.

# 5

## Operation



### WARNING

**Never use your hands to clean snow and ice from the chute assembly or auger housing.**

**The temperature of muffler and the surrounding areas may exceed 150° F. Avoid these areas**

# 6

## Maintenance & Service



### WARNING

Always stop engine, disconnect spark plug, and ground against engine before cleaning, lubricating or doing any kind of maintenance or adjustments on your machine.

NEVER replace the auger shear pins with standard pins or fasteners. Any damage to the auger gearbox or other components, as a result of doing so, will NOT be covered by your snow thrower's warranty.



**NOTE:** If auger continues to rotate with the control disengaged, shut off engine and re-adjust.

## General Recommendations

1. Always observe safety rules when performing any maintenance.
2. The warranty on this snow thrower does not cover items that have been subjected to operator abuse or negligence. To receive full value from the warranty, operator must maintain the snow thrower as instructed in this manual.
3. Periodically check all fasteners and hardware to make sure these are tight.



**WARNING:** Before servicing, repairing, lubricating or inspecting, disengage all controls and stop engine. Wait until all moving parts have come to a complete stop. Disconnect spark plug wire and ground it against the engine to prevent unintended starting. Always wear safety glasses during operation or while performing any adjustments or repairs.

### Shave Plate and Skid Shoes

The shave plate and skid shoes on the bottom of the snow thrower are subject to wear. They should be checked periodically and replaced when necessary. To remove skid shoes:

1. Remove the four carriage bolts and hex flange nuts which secure them to the snow thrower.
2. Reassemble new skid shoes with the four carriage bolts (two on each side) and hex flange nuts. Refer to Figure 9.

To remove shave plate:

1. Remove the carriage bolts and hex nuts which attach it and the skid shoes to the snow thrower housing.
2. Reassemble new shave plate, making sure heads of carriage bolts are to the inside of housing. Tighten securely.

### Augers

- The augers are secured to the spiral shaft with two shear pins and cotter pins. If the auger should strike a foreign object or ice jam, the snow thrower is designed so that the pins may shear.
- If the augers will not turn, check to see if the pins have sheared. When replacing pins, spray an oil lubricant into shaft before inserting new pins.

### Lubrication

1. Lubricate pivot points on the auger control and drive control with a light engine oil once a season. See Figure 10.
2. Lubricate the face of the auger idler bracket with a light weight cold weather lubricant at least once a season. See Figure 10.

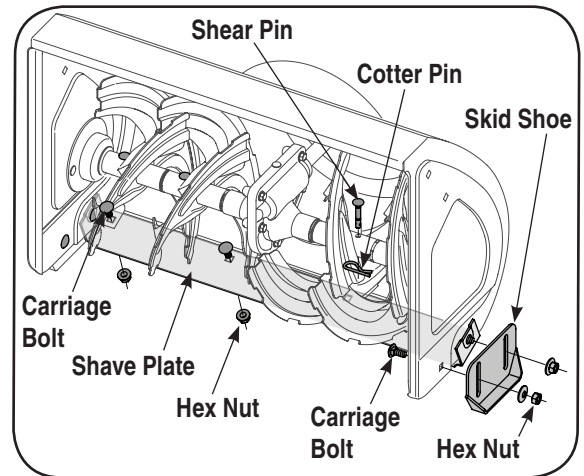


Figure 9

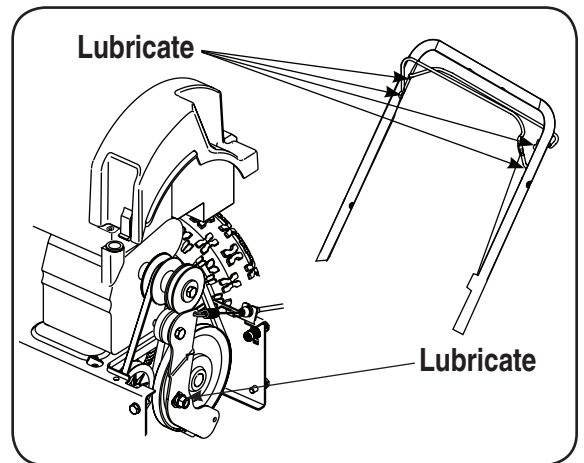


Figure 10

## Engine

Refer to the separate engine manual packed with your unit for all engine maintenance.

### Check V-Belts

Follow instructions below to check condition of drive belts every 50 hours of operation.

1. Remove the plastic belt cover on the front of the engine by removing the self-tapping screw and pressing the plastic tabs to release the belt cover.
2. Visually inspect for frayed, cracked, or excessively worn out belts. Replace, if necessary.

### Replacing Belts

**NOTE:** There are two belts on this snow thrower: an auger belt and drive belt. It is recommended that both belts be replaced at the same time.

1. Remove the spark plug wire from spark plug and ground it against the engine to prevent accidental starting.
2. Drain gasoline from the gas tank, or place a piece of plastic sheet underneath the gas cap to prevent gasoline leakage.

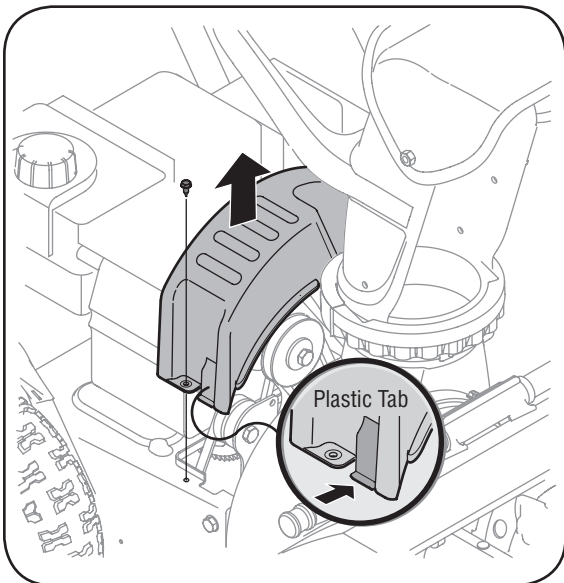


Figure 11

3. Remove the self tapping screw which secures the belt cover to the frame. Remove the belt cover by pushing in on the sides of the cover to release the plastic tabs. Pull the belt cover out from around the engine and chute. See Figure 11.

### Auger Belt

**NOTE:** Drain the gasoline from the snowthrower, or place a piece of plastic under the gas cap.

1. Tip the snow thrower up and forward so that it rests on the auger housing. Remove the belt keeper as shown in Figure 13. Return the snow thrower to its upright position to complete the following steps.
2. Slip the front auger belt off of the engine pulley pushing it forward and rolling in off of the pulley. See Figure 12.
3. Squeeze the auger control handle to release the auger brake, which is the tab that holds the belt onto the auger pulley. Remove the belt.
4. Replace with new belt after replacing the drive belt.

### Drive Belt

**NOTE:** Replace the drive belt before reassembling the new auger belt.

**NOTE:** Drain the gasoline from the snowthrower, or place a piece of plastic under the gas cap.

1. Tip the snow thrower up and forward so that it rests on the auger housing.
  2. Remove the spring that connects the transmission to a bolt on the engine frame. See Figure 13.
- NOTE:** It may be easier to first remove the flange lock nut, then use needle-nosed pliers to firmly grip spring and remove from bolt.
3. Pivot the transmission forward to release pressure on the drive belt. Remove belt from transmission pulley.
  4. Remove the drive belt from around the engine pulley, and away from the unit.
  5. Place the new drive belt into the groove on the engine pulley. See Figure 12.
  6. Tilt the transmission forward and position the drive belt onto the transmission pulley.
  7. Reconnect the spring to the bolt on the engine frame and secure the transmission. Reinstall the flange lock nut.
  8. Install new auger belt.

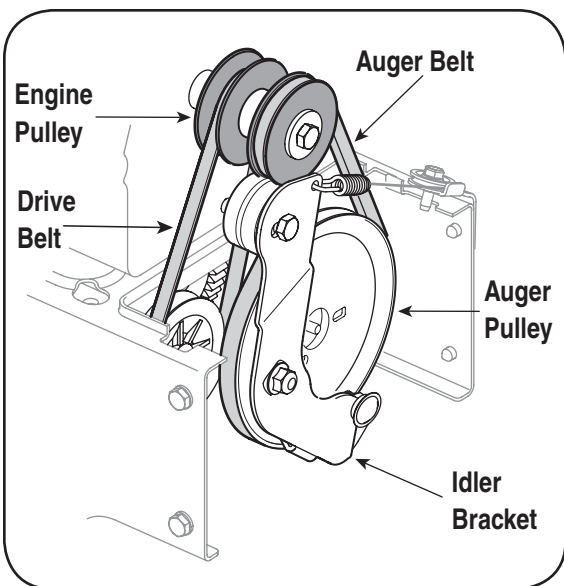


Figure 12

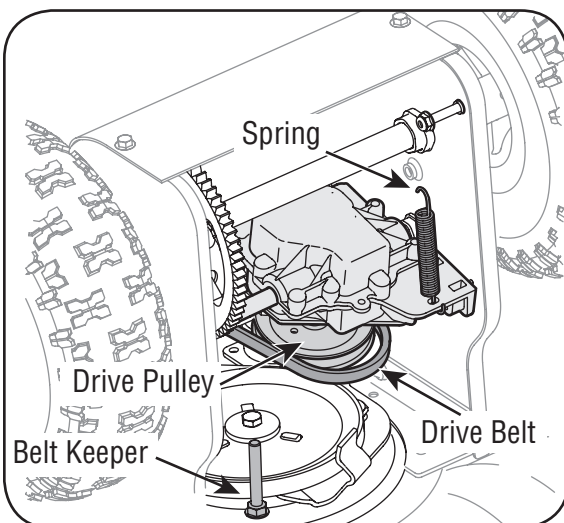


Figure 13

# 6

## Maintenance & Service



### WARNING

Always stop engine, disconnect spark plug, and ground against engine before cleaning, lubricating or doing any kind of maintenance or adjustments on your machine.

# 7

## Off-Season Storage



### WARNING

**Never store snow thrower with fuel in tank indoors or in poorly ventilated areas, where fuel fumes may reach an open flame, spark or pilot light as on a furnace, water heater, clothes dryer or gas appliance.**

**Drain fuel into an approved container outdoors, away from any open flame. Be certain engine is cool. Do not smoke. Fuel left in engine during warm weather deteriorates and will cause serious starting problems.**

**Do not drain carburetor if using fuel stabilizer. Never use engine or carburetor cleaning products in the fuel tank or permanent damage may occur.**

Observe the following, when preparing your snow thrower for off-season storage:

- Drain fuel into an approved container outdoors, away from any open flame. Allow engine to cool. Extinguish cigarettes, cigars, pipes and other sources of ignition prior to draining fuel. Fuel left in engine during warm weather deteriorates and will cause serious starting problems.
- If unit is to be stored over 30 days, prepare for storage as instructed in the separate engine manual packed with your unit.
- Run engine until fuel tank is empty and engine stops due to lack of fuel.
- Remove gasoline from carburetor and fuel tank to prevent gum deposits from forming on these parts and causing possible malfunction of engine.
- Drain carburetor by pressing upward on bowl drain, located below the carburetor cover.
- Fuel stabilizers, such as STA-BIL®, are an acceptable alternative in minimizing the formation of fuel gum deposits during storage. Do not drain carburetor if using a fuel stabilizer.
- Wipe equipment with an oiled rag to prevent rust.
- Remove spark plug and pour one ounce of engine oil through spark plug hole into cylinder. Cover spark plug hole with rag. Crank engine several times to distribute oil. Replace spark plug.
- Follow the lubrication recommendations found in the Maintenance Section.
- Always store the snow thrower in a clean, dry area.

# 8

## Trouble-Shooting

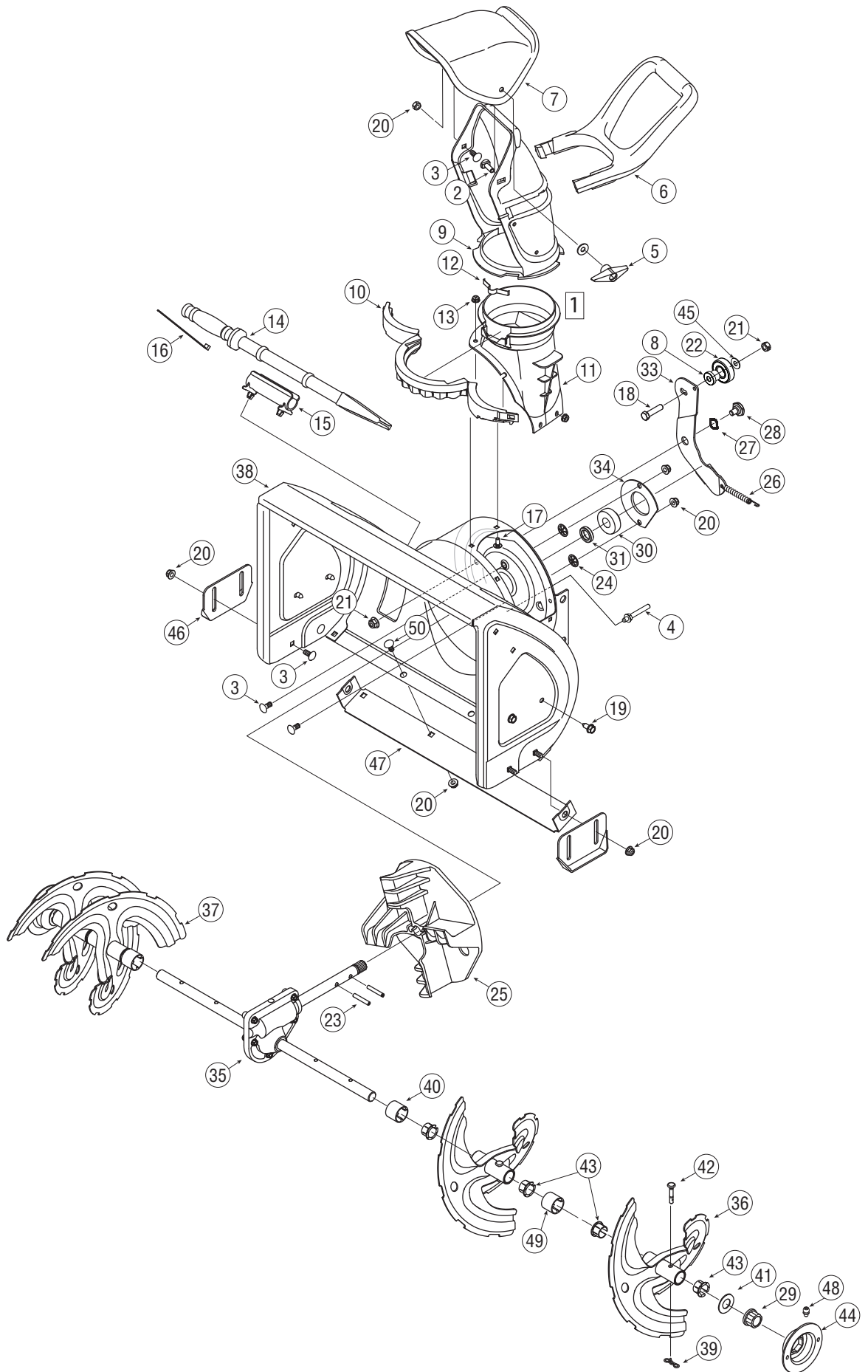


**NOTE:** This section addresses minor service issues. For further details, contact customer assistance.

Problem	Cause	Remedy
Engine fails to start	<ol style="list-style-type: none"> <li>1. Choke not in ON position.</li> <li>2. Spark plug wire disconnected.</li> <li>3. Fuel tank empty or stale fuel.</li> <li>4. Engine not primed.</li> <li>5. Faulty spark plug.</li> <li>6. Blocked fuel line.</li> <li>7. Safety key not in ignition on engine.</li> <li>8. Fuel shut-off valve closed. (If Equipped)</li> </ol>	<ol style="list-style-type: none"> <li>1. Move choke to ON position.</li> <li>2. Connect wire to spark plug.</li> <li>3. Fill tank with clean, fresh gasoline.</li> <li>4. Prime engine as instructed in "Operating Your Snow Thrower".</li> <li>5. Clean, adjust gap, or replace.</li> <li>6. Clean fuel line.</li> <li>7. Insert key fully into the switch.</li> <li>8. Open fuel shut-off valve.</li> </ol>
Engine runs erratic	<ol style="list-style-type: none"> <li>1. Unit running on CHOKE.</li> <li>2. Blocked fuel line or stale fuel.</li> <li>3. Water or dirt in fuel system.</li> <li>4. Carburetor out of adjustment.</li> </ol>	<ol style="list-style-type: none"> <li>1. Move choke lever to OFF position.</li> <li>2. Clean fuel line; fill tank with clean, fresh gasoline.</li> <li>3. Drain fuel tank. Refill with fresh fuel.</li> <li>4. Contact Service Center.</li> </ol>
Engine overheats	<ol style="list-style-type: none"> <li>1. Carburetor not adjusted properly.</li> </ol>	<ol style="list-style-type: none"> <li>1. Contact Service Center.</li> </ol>
Excessive Vibration	<ol style="list-style-type: none"> <li>1. Loose parts or damaged auger.</li> </ol>	<ol style="list-style-type: none"> <li>1. Stop engine immediately and disconnect spark plug wire. Tighten all bolts and nuts. If vibration continues, have unit serviced by a Service Center.</li> </ol>
Loss of power	<ol style="list-style-type: none"> <li>1. Spark plug wire loose.</li> <li>2. Gas cap vent hole plugged.</li> <li>3. Exhaust port plugged.</li> </ol>	<ol style="list-style-type: none"> <li>1. Connect and tighten spark plug wire.</li> <li>2. Remove ice and snow from gas cap. Be certain vent hole is clear.</li> <li>3. Contact Service Center.</li> </ol>
Unit fails to propel itself	<ol style="list-style-type: none"> <li>1. Drive control cable in need of adjustment.</li> <li>2. Drive belt loose or damaged.</li> </ol>	<ol style="list-style-type: none"> <li>1. Adjust drive control cable. Refer to "Adjustments".</li> <li>2. Replace drive belt.</li> </ol>
Unit fails to discharge snow	<ol style="list-style-type: none"> <li>1. Chute assembly clogged.</li> <li>2. Foreign object lodged in auger.</li> <li>3. Auger control cable in need of adjustment.</li> <li>4. Auger belt loose or damaged.</li> <li>5. Shear pin(s) sheared.</li> </ol>	<ol style="list-style-type: none"> <li>1. Stop engine immediately and disconnect spark plug wire. Clean chute assembly and inside of auger housing with clean-out tool or a stick.</li> <li>2. Stop engine immediately and disconnect spark plug wire. Remove object from auger with clean-out tool or a stick.</li> <li>3. Refer to "Auger Control Test".</li> <li>4. Refer to Maintenance section.</li> <li>5. Replace with new shear pin(s).</li> </ol>

# 9

## Illustrated Parts/ Pièces détachés





REF NO. N° DE RÉF	PART NO. N° DE PIÈCE	DESCRIPTION	DESCRIPTION
1	684-04037	Chute Assembly	Goulotte
2	710-04071	Carriage Screw 5/16-18 x 1.0	Vis ordinaire 5/16-18 x 1,0
3	710-0451	Carriage Bolt 5/16-18 x .75	Boulon ordinaire 5/16-18 x 0,75
4	710-04606	Screw 5/16-18 x .43	Vis 5/16-18 x 0,43
5	720-04072	Star Knob -Black	Bouton étoile- noir
	720-04071	Star Knob -Yellow	Bouton étoile- jaune
6	731-04388A	Chute Handle	Poignée - goulotte d'éjection
7	731-04354B	Upper Chute	Goulotte supérieur
8	750-04852	Shoulder Spacer .385 x .785 x .538	Entretoise epaulée 0,385 x 0,785 x 0,538
9	731-04127	Lower Chute 5" Dia	Goulotte d'éjection inférieur dia. 5 po
10	731-04353	Ring-Lower Chute	Bague - goulotte d'éjection inférieur
11	731-2636A	Chute Adapter 5" Dia.	Adaptateur de goulotte d'éjection 5 po diam.
12	732-04111	Chute Adjustment Spring	Ressort d'ajustement - goulotte d'éjection
13	712-04064	Hex L-Flanged Nut 1/4-20 Gr. F Nylon	Contre-écrou à embase 1/4-20 Qual. F nylon
14	731-2643	Chute Clean-Out Tool	Outil de dégagement de la goulotte
15	731-2635	Mounting Bracket	Support de montage
16	725-0157	Cable Tie	Attache-câble
17	710-0134	Carriage Bolt 1/4-20 x .62	Boulon ordinaire 1/4-20 x 0,62
18	710-0520	Hex Screw 3/8-16 x 1.50	Vis à tête hexagonale 3/8-16 x 1,50
19	710-04484	Hex Wash. Scr. AB 5/16-18 x .75	Vis à tête hex. AB 5/16-18 x 0,75
20	712-04063	Flange Locknut 5/16-18 Gr. F, Nylon	Contre-écrou à embase 5/16-18 Qual. F, nylon
21	712-04065	Flange Lock-Nut 3/8-16 Gr. F Nylon	Contre-écrou à embase 3/8-16 Qual. F nylon
22	741-0919	Ball Bearing 20 x 47 x 14:6204:DS	Roulement à billes 20 x 47 x 14:6204:DS
23	715-04020	Spiral Pin	Attache
24	726-04012	Push Nut	Écrou à enfoncer
25	731-04218B	Impeller	Ventilateur
26	732-0611	Extension Spring	Ressort d'extension
27	736-0174	Wave Washer .660 ID x .88 OD x .010	Rondelle ondulée 0,660 DI x 0,88 DE x 0,010
28	738-0281	Shoulder Scr .625 Dia. x .170	Vis à épaulement dia. 0,625 x 0,170
29	741-0245	Hex. Flange Bearing .751" ID	Roulement à bride à six pans 0,751 DI
30	741-0309	Self-aligning bearing	Roulement auto-aligneur
31	750-04191	Spacer	Entretoise
32	756-04249	Flat Idler	Tendeur
33	784-0434	Auger Idler Bracket	Support du tendeur
34	790-00075	Bearing Housing	Carter de la roulement
35	618-04292A	Auger Gearbox Assembly - 22"	Boîtier d'engrenage - 22 po
	618-04294A	Auger Gearbox Assembly - 24"	Boîtier d'engrenage - 24 po
36	684-04113A	Auger Assembly - LH	Tarière CG
37	684-04114A	Auger Assembly -RH	Tarière - CD
38	684-04166A	Auger Housing 22"	Logement des tarières 22 po
	684-04165	Auger Housing 24"	Logement des tarières 24 po
39	714-04040	Bow-Tie Cotter Pin	Goupille fendue
40	731-04870	Spacer	Entretoise
41	736-0351	Flat Washer .76 ID x 1.5 OD x .03	Rondelle plate 0,76 DI x 1,50 DE x 0,030
42	738-04124A	Shear Pin .25 x 1.50 Gr. 2	Goupille 0,25 x 1,50 Qual. 2
43	741-0493A	Flange Bearing	Roulement à bride
44	790-00087A	Hex Brg. Housing	Carter de la roulement
	790-00138A	Hex. Brg. Hsg. (w/Grease fitting hole)	Carter de la roulement (trou-raccord de graisse)
45	736-0267	Flat Washer .38 ID x .87 OD x .09	Rondelle plate 0,38 DI x 0,87 DE x 0,09
46	784-5580	Slide Shoe (Standard)	Patin ordinaire
47	790-00117	Shave Plate 22"	Lame plate 22 po
	790-00120	Shave Plate 24"	Lame plate 24 po
48	737-3000	Grease Fitting (optional)	Raccord graisseur (en option)
49	731-04870	Spacer (24" only)	Entretoise (24 po seulement)
50	710-0260A	Carriage Bolt 5/16-18 x .62	Boulon ordinaire 5/16-18 x 0,62

31A-3AAD1  
7.23.07

# 9

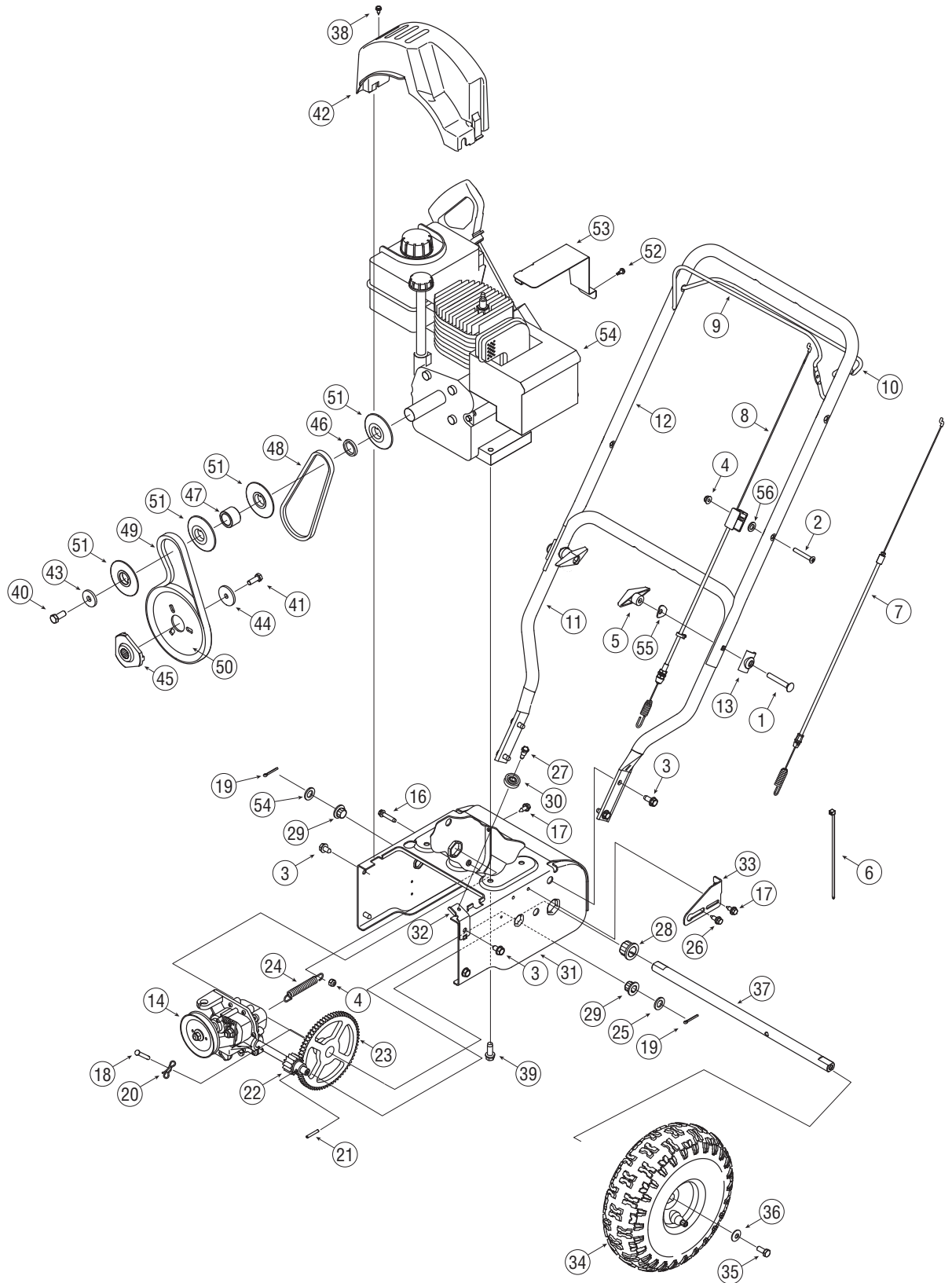
## Illustrated Parts/ Pièces détachés



For parts and/or accessories refer to customer support on page 2.  
Adressez-vous au «Service après-vente» à la page 2 pour ce qui concerne les pièces et/ou accessoires.

# 9

## Illustrated Parts/ Pièces détachés



REF NO. N° DE RÉF	PART NO. N° DE PIÈCE	DESCRIPTION	DESCRIPTION
1	710-0449	Carriage Bolt 5/16-18 x 2.25 Gr. 1	Boulon ordinaire 5/16-18 x 2,25 Qual
2	710-0605	Oval C-Sunk Screw 1/4-20 x 1.825" Lg.	Vis à tête noyée 1/4-20 x 1,825 po de lg
3	710-04484	Hex Wash. Scr. AB 5/16-18 x .75	Vis à tête hex. AB 5/16-18 x 0,75
4	712-04064	Flanged Lock Nut 1/4-20 Gr. F Nylon	Écrou de blocage 1/4-20 Qual. F
5	720-0284	Knob -Black	Bouton - noir
6	725-0157	Cable Tie	Attache câble
7	746-04256	Drive Cable	Câble d'entraînement
8	746-04236	Auger Cable	Câble de la tarière
9	747-1161A	Auger Control Handle	Poignée de commande de la tarière
10	747-1214	Drive Control Handle	Poignée de commande d'entraînement
11	749-04147	Lower Handle	Guidon inférieur
12	749-1092A	Upper Handle	Guidon supérieur
13	790-00053	Handle Tab	Patte d'attache
14	618-04296A	Transmission Assembly	Essieu
16	710-0809	Hex Bolt 1/4-20 x 1.25	Boulon hex. 1/4-20 x 1,25
17	710-1652	Screw 1/4-20 x .625	Vis 1/4-20 x 0,625
18	711-1364	Clevis Pin 1/4 x 1.3725	Axe de chape 1/4 x 1,3725
19	714-0115	Cotter Pin	Goupille fendue
20	714-04040	Bow Tie Cotter Pin	Goupille fendue
21	715-0249	Spring Roll Pin 1.12" Lg.	Goupille ressort à spirale 1,12 po de lg.
22	717-04066A	Pinion 14T, 12DP	Pignon 14 dents, 12DP
23	717-04073A	Gear-70 Tooth	Engrenage - 70 dents
24	732-0429A	Tension Spring .50 OD x 3.97" Lg.	Ressort de tension 0,50 DE x 3,97 po de lg
25	736-0192	Flat Washer 0.531 ID x 0.93 OD x .090	Rondelle plate 0,531 DI x 0,930 DE x 0,090
26	738-04184A	Shoulder Screw 1/4-20	Vis épaulée 1/4-20
27	738-0924A	Carriage Screw 1/4-28	Boulon ordinaire 1/4-28
28	741-0245	Hex Flange Bearing	Roulement
29	741-04108	Hex. Flange Bearing 0.75" I.D.	Roulement à bride hex. de 0,75 po D.I.
30	756-0625	Cable Roller	Support
31	784-0419C	Frame	Châssis
32	790-00223A	Auger Cable Bracket	Support - câble de tarière
33	790-00224	Auger Cable Adjustment Bracket	Support de réglage - câble de tarière
34	634-04282A	Comp. Wheel Ass'y 10 x 4 Snow Hog	Ens.de roue comp 10,0 x 4,0 Snow Hog
	734-2047	Tire 4.10 x 3.0" Snow Hog	Pneu 4,10 x 3,0 po Snow Hog
	634-04281A	Rim 4.0" x 3.0"	Jante 4,0 x 3,0 po
	734-0255	Air Valve	Soupape à air
35	710-0627	Hex Hd.Cap Scr. 5/16-24 x 0.75 Gr. 5	Boulon hex 5/16-24 x 0,75 Qual. 5
36	736-0242	Cup. Wash. .340 ID x .872 OD x .060	Rondelle creuse 0,340 DI x 0,872 DE x 0,060
37	738-1231	Axle .75 OD x 17.594 Lg.	Essieu 0,75 DE x 17,594 lg.
38	710-0224	Hex Screw #10-16 x .50	Vis no. 10-16 x 0,50
39	710-0654A	Hex Wash HD Tap Scr 3/8-16 x 1.00	Vis autotaraudée 3/8-16 x 1,00
40	710-0696	Hex Scr. 3/8-24 x .875" Lg. Gr. 8	Vis à tête hex.3/8-24 x 0,875 po Qual. 8
41	710-1245B	Hex Screw 5/16-24 x .875 Gr. 8	Vis à tête hex. 5/16-24 x 0,875 Qual. 8
42	731-04162A	Belt Cover	Couvercle de courroie
43	736-0247	Flat Washer .406 ID x 1.25 OD x .160	Rondelle plate 0,406 DI x 1,25 DE x 0,160
44	736-0505	Flat Washer .34 ID x 1.50 OD x .150	Rondelle plate 0,34 DI x 1,50 DE x 0,150
45	748-04067A	Pulley Adaptor .75 Dia. w/pins	Adaptateur de poulie avec épingles
46	750-1355	Spacer .8760 ID x 1.25 OD x .190	Entretoise 0,8760 DI x 1,25 DE x 0,190
47	750-1356	Spacer .8760 ID x 1.25 OD x .86	Entretoise 0,8760 DI x 1,25 DE x 0,86
48	754-04013	"V"-Belt 3/8 x 21.108 Lg.	Courroie trapézoïdale 3/8 x 21,108 lg.
49	754-04014	"V"-Belt 3/8 x 26.680 Lg.	Courroie trapézoïdale 3/8 x 26,680 lg.
50	756-04024	Auger Pulley 6.0 x 3/8	Poulie de tarière 6,0 x 3/8
51	756-0569	V-Pulley Half 3/8 x 2.6	Poulie - moitié 3/8 x 2,6
52	710-0456	Screw #10-16 x .50	Vis no. 10-16 x 0,50
53	790-00064	Heat Shield	Protecteur
54	736-0160	Flat Washer .53 ID x .93 OD x .050	Rondelle plate 0,53 DI x 0,93 DE x 0,05
55	736-0451	Saddle Washer .320 ID x .93 OD x .060	Rondelle 0,320 DI x 0,93 DE x 0,060
56	750-04913	Spacer .260 ID x .466 OD x .20" Lg.	Entretoise 0,260 DE x 0,466 DE x 0,20 po de lg.
57	731-05672	Spacer 1.25 x .757 x .71	Entretoise 1,25 x 0,757 x 0,71

31A-3AAD2  
7.23.07

# 9

## Illustrated Parts/ Pièces détachés



For parts and/or accessories refer to customer support on page 2.

Adressez-vous au «Service après-vente» à la page 2 pour ce qui concerne les pièces et/ou accessoires.

# 10

## Warranty



Failure to comply with suggested maintenance and lubrication specifications will void warranty.

## TWO YEAR LIMITED WARRANTY

The limited warranty set forth below is given by MTD Products Limited with respect to new merchandise purchased and used in Canada and/or its territories and possessions (either entity respectively, "MTD").

MTD warrants this product (excluding its normal wear parts as described below) against defects in material and workmanship for a period of two (2) years commencing on the date of original purchase and will, at its option, repair or replace, free of charge, any part found to be defective in materials or workmanship. This limited warranty shall only apply if this product has been operated and maintained in accordance with the Operator's Manual furnished with the product, and has not been subject to misuse, abuse, commercial use, neglect, accident, improper maintenance, alteration, vandalism, theft, fire, water, or damage because of other peril or natural disaster. Damage resulting from the installation or use of any part, accessory or attachment not approved by MTD for use with the product(s) covered by this manual will void your warranty as to any resulting damage.

Normal wear parts are warranted to be free from defects in material and workmanship for a period of thirty (30) days from the date of purchase. Normal wear parts include, but are not limited to items such as: batteries, belts, blades, blade adapters, grass bags, rider deck wheels, seats, snow thrower skid shoes, friction wheels, shave plates, auger spiral rubber, tires, engine oil, air filters and spark plugs.

**HOW TO OBTAIN SERVICE:** Warranty service is available, WITH PROOF OF PURCHASE, through your local authorized service dealer. To locate the dealer in your area contact MTD Products Limited, Kitchener, ON N2G 4J1, or call 1-800-668-1238 or log on to our Web site at [www.mtdcanada.com](http://www.mtdcanada.com).

This limited warranty does not provide coverage in the following cases:

- a. The engine or component parts thereof. These items may carry a separate manufacturer's warranty. Refer to applicable manufacturer's warranty for terms and conditions. The Powermore engine is not excluded under this agreement.
- b. Log splitter pumps, valves, and cylinders have a separate one-year warranty.
- c. Routine maintenance items such as lubricants, filters, blade sharpening, tune-ups, brake adjustments, clutch adjustments, deck adjustments, and normal deterioration of the exterior finish due to use or exposure.
- d. Service completed by someone other than an authorized service dealer.
- e. MTD does not extend any warranty for products sold or exported outside of Canada, including possessions and territories.
- f. Replacement parts that are not genuine MTD parts.
- g. Transportation charges and service calls.
- h. If Products are used commercially. (MTD may separately offer Limited Commercial Warranties on certain select products. Ask your dealer or retailer for details or contact MTD Service for more information.)

**No implied warranty, including any implied warranty of merchantability of fitness for a particular purpose, applies after the applicable period of express written warranty above as to the parts as identified. No other express warranty, whether written or oral, except as mentioned above, given by any person or entity, including a dealer or retailer, with respect to any product, shall bind MTD. During the period of the warranty, the exclusive remedy is repair or replacement of the product as set forth above.**

**The provisions as set forth in this warranty provide the sole and exclusive remedy arising from the sale. MTD shall not be liable for incidental or consequential loss or damage including, without limitation, expenses incurred for substitute or replacement lawn care services or for rental expenses to temporarily replace a warranted product.**

Some jurisdictions do not allow the exclusion or limitation of incidental or consequential damages, or limitations on how long an implied warranty lasts, so the above exclusions or limitations may not apply to you.

In no event shall recovery of any kind be greater than the amount of the purchase price of the product sold. **Alteration of safety features of the product shall void this warranty.** You assume the risk and liability for loss, damage, or injury to you and your property and/or to others and their property arising out of the misuse or inability to use the product.

This limited warranty shall not extend to anyone other than the original purchaser or to the person for whom it was purchased as a gift.

**HOW LOCAL LAWS RELATE TO THIS WARRANTY:** This limited warranty gives you specific legal rights, and you may also have other rights that vary in different jurisdictions.

**IMPORTANT:** Owner must present Original Proof of Purchase to obtain warranty coverage.

**MTD Products Ltd., P. O. BOX 1386, KITCHENER, ON N2G 4J1; Phone: 1-800-668-1238**

12.16.06

## GARANTIE LIMITÉE DE DEUX ANS

La garantie limitée qui est énoncée ci-dessous est offerte par MTD Products Limited, pour toutes les marchandises achetées et utilisées au Canada et/ou ses territoires (l'une ou l'autre entité respectivement appelée « MTD »). « MTD » garantit que ce produit (à l'exception des pièces à usure normale énumérées ci-dessous) est exempt de tout vice de matière et de fabrication pour une durée de deux (2) ans à compter de la date de l'achat initial et s'engage à réparer ou à remplacer, gratuitement et à son choix, toute pièce qui s'avère défectueuse en raison d'un vice de matière ou de fabrication. Cette garantie limitée n'est applicable que si ce produit a été utilisé et entretenu conformément aux instructions de la notice d'utilisation qui l'accompagne. De plus, le produit ne doit pas avoir fait l'objet d'un emploi incorrect ou abusif, d'une utilisation à des fins commerciales, d'une négligence, d'un accident, d'un entretien incorrect, d'une modification, d'un acte de vandalisme, d'un vol, d'un incendie, d'une inondation ou de tout autre dégat causé par tout incident ou désastre naturel. Les dégâts causés par l'installation ou l'utilisation d'une pièce, d'un accessoire ou d'un équipement annexe, dont l'emploi avec le produit faisant l'objet de la notice d'utilisation n'est pas homologué par MTD, rendront la garantie nulle et non avenue.

Les pièces ou composants à usure normale sont garantis exempts de tout vice de matière et de fabrication pour une période de 30 jours à compter de la date d'achat. Les pièces et composants à usure normale comprennent, sans s'y limiter, les batteries, courroies, lames, adaptateurs de lame, sacs à herbe, roues du plateau de coupe des tondeuses à siège, sièges, patins de soufflées, roues de frottement, lames de racle, le caoutchouc de la tarrière et pneus. l'huile à moteur, les filtres à air et bougies.

**POUR FAIRE HONORER LA GARANTIE :** Présentez UNE PREUVE D'ACHAT à la station technique agréée de votre localité. Pour localiser une station technique agréée ou un concessionnaire dans votre région, adressez-vous à MTD Products Limited, Kitchen, Ontario, N2G 4J1 ou appelez le 1-800-668-1238 ou visitez notre site web au [www.mtdcanada.com](http://www.mtdcanada.com)

Cette garantie limitée ne couvre pas :

- Le moteur ou ses composants. Ces articles peuvent être couverts par une garantie séparée du fabricant. Consultez la garantie du fabricant quant aux conditions. Le moteur Powermore à soupapes en tête n'est pas exclus aux termes de cette garantie.
- Les pompes, soupapes et pistons des fendeuses à bois sont couverts par une garantie séparée d'un an.
- Les articles d'entretien courant tels que les lubrifiants, filtres, aiguillages de lame et révisions, les réglages de frein, de l'embrayage ou du plateau de coupe et la détérioration normale de la finition du fait de l'utilisation de la machine ou de son exposition aux intempéries.
- L'entretien ou les réparations effectuées par quiconque autre qu'une station technique agréée.
- MTD ne garantit pas les produits vendus ou exportés du Canada, de ses possessions et territoires.
- Les pièces de rechange si elles ne sont pas des pièces MTD authentiques.
- Les frais de transport des machines et de déplacement des techniciens.
- Les produits utilisés dans un but commercial. (Certains produits peuvent être accompagnés d'une garantie limitée MTD séparée pour usage commercial. Renseignez-vous auprès du concessionnaire ou détaillant pour plus de détails ou adressez-vous directement au service après-vente de MTD.)

Aucune garantie tacite, y compris toute garantie tacite de qualité marchande ou d'adaptabilité dans un but particulier, ne s'applique aux pièces identifiées ci-dessus après la période de vigueur de la garantie écrite ci-dessus, offerte par toute personne ou entité (y compris un concessionnaire/revendeur), pour tout produit, engagement MTD. Pendant la période de garantie, la réparation ou le remplacement du produit ci-dessus constitue le recours exclusif à la disposition du client.

Les stipulations énoncées dans cette garantie offrent le seul recours à la suite de la vente. MTD ne peut être tenue responsable pour toute perte ou tout dommage accessoire ou immatériel comprenant, sans s'y limiter, les frais de remplacement ou de substitution des services d'entretien des pelouses ou les frais de location pour remplacer temporairement un article sous garantie.

Certaines juridictions ne permettent pas l'inclusion ou la restriction des dommages accessoires ou immatériels ou une limite à la durée de la garantie tacite. Par conséquent, les exclusions ci-dessus peuvent ne pas s'appliquer dans votre situation.

Le remplacement ou remplacement quel qu'il soit ne sera en aucun cas supérieur au montant du prix d'achat du produit vendu. **Toute modification des caractéristiques de sécurité rendra la garantie nulle et non avenue.** L'utilisateur assume toute responsabilité en cas de perte, de dommage matériel ou de blessure résultant de l'utilisation incorrecte du produit ou de l'incapacité de l'employer.

Cette garantie limitée n'est offerte qu'à l'acheteur initial ou à la personne à laquelle le produit a été offert en cadeau. **LES LOIS LOCALES ET CETTE GARANTIE :** Cette garantie limitée vous accorde des droits juridiques spécifiques et vous pouvez bénéficier d'autres droits qui varient selon les juridictions.

**IMPORTANT :** Le propriétaire doit présenter le reçu original pour faire honorer la garantie.

12.16.06

Le non-respect des conseils d'entretien et de lubrification annule la garantie.



Garantie

6

Problème	Cause(s)	Solution
Le moteur ne démarre pas	<ol style="list-style-type: none"> <li>1. Volet de départ fermé.</li> <li>2. Fil de la bougie débranché.</li> <li>3. Réservoir vide ou essence éventée.</li> <li>4. Bouton de l'amorceur n'étant pas employé correctement.</li> <li>5. Bougie défectueuse.</li> <li>6. Canalisations de carburant bouchées.</li> <li>7. La clé de contact du moteur n'est pas mise.</li> <li>8. Robinet d'arrivée de carburant fermé.</li> </ol>	<ol style="list-style-type: none"> <li>1. Ouvrez le volet de départ.</li> <li>2. Branchez le fil de la bougie.</li> <li>3. Faites le plein avec une essence propre et fraîche.</li> <li>4. Consultez le chapitre "Utilisation de la Souffleuse".</li> <li>5. Nettoyez, réglez l'écartement ou remplacez la bougie.</li> <li>6. La nettoyer.</li> <li>7. Mettez la clé.</li> <li>8. Ouvrez le robinet.</li> </ol>
Fonctionnement irrégulier	<ol style="list-style-type: none"> <li>1. Machine fonctionnant avec le volet de départ fermé.</li> <li>2. Canalisations de carburant bouchées ou essence éventée.</li> <li>3. Eau ou saleté dans le système d'essence.</li> <li>4. Carburateur est mal réglé.</li> </ol>	<ol style="list-style-type: none"> <li>1. Ouvrez le volet de départ.</li> <li>2. Nettoyez la canalisation; faites le plein avec une essence propre.</li> <li>3. Débranchez la canalisation d'essence au carburateur pour vider le réservoir d'essence. Faites le plein avec une essence fraîche.</li> <li>4. Adressez-vous à une station</li> </ol>
Moteur surchauffe	<ol style="list-style-type: none"> <li>1. Carburateur est mal réglé.</li> </ol>	<ol style="list-style-type: none"> <li>1. Adressez-vous à une station technique.</li> </ol>
Vibration excessives	<ol style="list-style-type: none"> <li>1. Pièces desserrées ou vis sans fin endommagées.</li> </ol>	<ol style="list-style-type: none"> <li>1. Arrêtez immédiatement le moteur et débranchez le fil de la bougie. Serrez tous les boulons et écrous. Si les vibrations persistent, faites vérifier la machine par une station technique agréée.</li> </ol>
Perte de puissance	<ol style="list-style-type: none"> <li>1. Fil de la bougie desserré.</li> <li>2. Chapeau d'échappement du trou d'aération bouché.</li> <li>3. Le port d'échappement est bouché.</li> </ol>	<ol style="list-style-type: none"> <li>1. Branchez et serrez le fil de la bougie.</li> <li>2. Dégagez la glace et la neige du chapeau. Assurez-vous de la propreté du trou d'aération.</li> <li>3. Adressez-vous à une station technique.</li> </ol>
La souffleuse n'avance pas	<ol style="list-style-type: none"> <li>1. Câble d'entraînement mal réglé.</li> <li>2. Courroie d'entraînement abîmée ou ayant du jeu.</li> </ol>	<ol style="list-style-type: none"> <li>1. Réglez le câble d'entraînement. Voir le Réglages.</li> <li>2. Remplacez la courroie d'entraînement.</li> </ol>
La souffleuse n'évacue pas la neige	<ol style="list-style-type: none"> <li>1. Goulotte d'évacuation bouchée.</li> <li>2. Présence de corps étranger dans la tarière.</li> <li>3. Câble d'entraînement de la tarière mal réglé.</li> <li>4. Courroie d'entraînement de la tarière abîmée ou ayant du jeu.</li> <li>5. Goupille de cisaillement est cassée.</li> </ol>	<ol style="list-style-type: none"> <li>1. Arrêtez immédiatement le moteur et débranchez le fil de la bougie. Nettoyez la goulotte d'évacuation et l'intérieur du logement de la tarière.</li> <li>2. Arrêtez immédiatement le moteur et débranchez le fil de la bougie. Dégagez le corps étranger de la tarière avec l'outil de dégageage de la goulotte ou un bâton.</li> <li>3. Voir Test de commande de la tarière.</li> <li>4. Voir le Régime d'entretien.</li> <li>5. Remplacez la goupille de cisaillement.</li> </ol>

## Dépannage



### REMARQUE: Ce

chapitre concerne des problèmes d'entretien mineurs.

Pour plus de détails, adressez-vous au service après-vente.



- Procédez comme suit pour préparer la souffeuse avant de la remiser.
- Videz le carburant à l'extérieur dans un récipient homologué, à distance de toute flamme nue. As-surez-vous que le moteur a refroidi. Ne fumez pas et éteignez toute source de chaleur incandescente avant de vider le carburant. Tout carburant restant dans le réservoir par temps chaud se détériorera et causera de graves problèmes au démarrage.
  - Si la machine doit être entreposée pendant plus de 30 jours, préparez-la selon les instructions fournies dans la notice d'utilisation du moteur qui accompagne votre souffeuse.
  - Laissez tourner le moteur jusqu'à ce qu'il s'arrête pour cause de panne d'essence.
  - Videz toute l'essence du carburateur et du réservoir pour éviter la formation de dépôts de gomme qui pourraient causer le mauvais fonctionnement du moteur.
  - Videz le carburateur en appuyant sur l'évacuation qui se trouve sous le couvercle du carburateur.
  - Les agents de stabilisation du carburant (STA-BIL® par exemple) offrent une solution acceptable pour minimiser la formation de dépôts de gomme pendant le remisage. Ne videz pas le carburateur si vous décidez d'utiliser un agent de stabilisation du carburant.
  - Essayez la machine avec un chiffon imbibé d'huile pour empêcher la formation de rouille.
  - Retirez la bougie et versez une once d'huile à moteur dans le trou de la bougie de la chemise. Recouvrez le trou avec un chiffon et faites tourner le moteur plusieurs fois pour bien répartir l'huile. Remettez la bougie en place.
  - Suivez les instructions concernant la lubrification dans le chapitre sur l'entretien.
  - Entreposez toujours la souffeuse dans un endroit sec et propre.

## AVERTISSEMENT



## Remisage hors saison



N'entreposez jamais le moteur avec du carburant dans le réservoir à l'intérieur ou dans des endroits fermés si la ventilation n'est pas adéquate et si les vapeurs de carburant peuvent venir en contact avec une flamme ou une étincelle ou veillez à un chauffe-eau, un radiateur, un tourneau, un sèche-linge ou autre appareil à gaz.

Videz le carburant à l'extérieur dans un récipient homologué, à distance de toute flamme nue. Assurez-vous que le moteur a refroidi. Ne fumez pas. Tout carburant restant dans le réservoir par temps chaud se détériorera et causera de graves problèmes au démarrage.

Ne videz pas le carburateur si vous utilisez un stabilisateur de carburant. N'utilisez jamais des produits de nettoyage du moteur ou du carburateur pour nettoyer le réservoir de carburant car vous pouvez causer des dégâts permanents.

2. Videz l'essence du réservoir ou placez un morceau de plastique sous le capuchon pour empêcher les fuites.
  3. Enlevez la vis auto-tarandeuse qui maintient le couvre-courroie sur le châssis. Démontez le couvre-courroie en pressant des deux côtés pour libérer les pattes en plastique. Dégagez le couvre-courroie du moteur et de la goulotte. Voir la Figure 11.
- Courroie des tarières**
- REMARQUE :** Videz le réservoir d'essence de la souffluse ou placez un morceau de plastique sous le bouchon d'essence.
1. Basculez la souffluse pour la faire reposer sur l'habitacle des tarières. Retirez le guide de courroie comme illustré à la Figure 13. Redressez la souffluse à neige pour accomplir les étapes suivantes.
  2. Dégagez la courroie avant des tarières de la poulie motrice. Voir la Figure 12.
  3. Pressez la barre de commande des tarières pour débrayer le frein des tarières, soit l'attache qui retient la courroie sur la poulie des tarières. Enlevez la courroie.
  4. Installez la courroie neuve après avoir remplacé la courroie de la transmission.
- Courroie de la transmission**
- REMARQUE :** Videz le réservoir d'essence de la souffluse ou placez un morceau de plastique sous le bouchon d'essence.
1. Basculez la souffluse pour la faire reposer sur l'habitacle des tarières.
  2. Retirez le ressort qui retient la transmission sur un boulon sur le châssis du moteur. Voir la Figure 13.
- REMARQUE :** Il sera peut-être plus facile de retirer d'abord le contre-écrou à bride. Puis, avec une pince à bec effilé, dégagez le ressort du boulon.
3. Faites pivoter la transmission vers l'avant pour détendre la courroie de la transmission. Dégagez la courroie de la poulie de la transmission.
  4. Dégagez la courroie de la transmission de la poulie motrice et écarterz celle-ci de la souffluse.
  5. Installez la nouvelle courroie de transmission dans la gorge de la poulie motrice. Voir la Figure 12.
  6. Basculez la transmission vers l'avant et placez la courroie de la transmission sur la poulie de la transmission.
  7. Remplacez le ressort sur le boulon du châssis du moteur et attachez la transmission. Remettez le contre-écrou à bride en place.
  8. Installez la nouvelle courroie des tarières.
  9. Remplacez le couvre-courroie sur la souffluse.

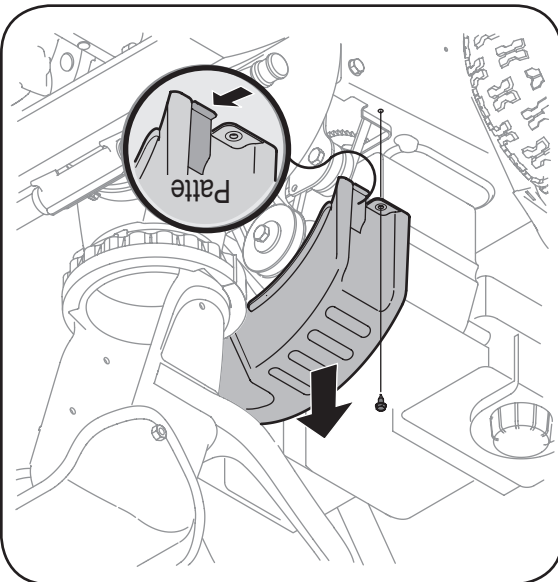


Figure 11

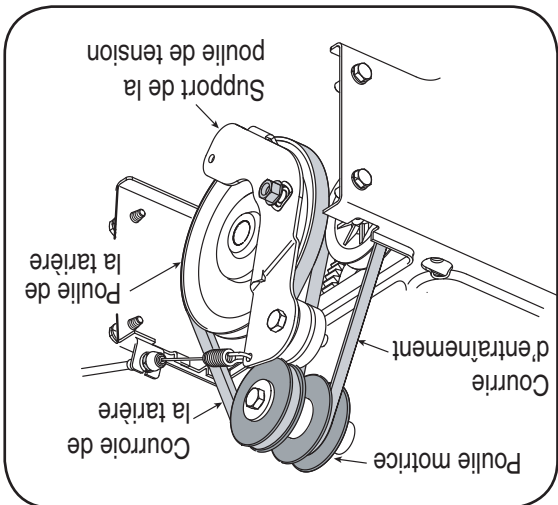


Figure 12

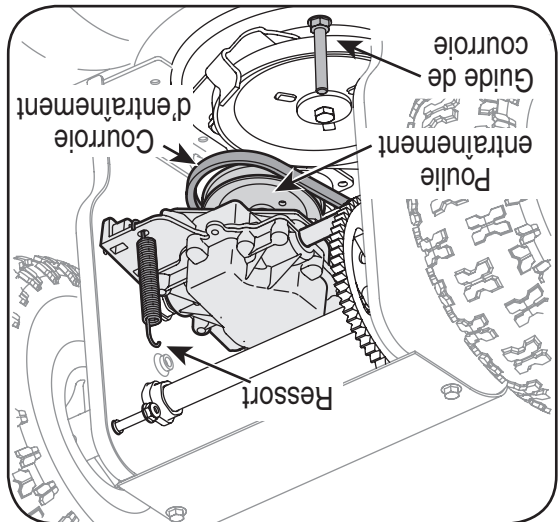


Figure 13

Arrêtez toujours le moteur, et mettez-le à la terre contre le moteur avant de nettoyer, de lubrifier ou d'effectuer toute opération d'entretien ou tout réglage de la souffluse.

AVERTISSEMENT



Entretien

6



1. Débranchez le fil de la bougie et mettez-le à la masse.
- REMARQUE:** Il est conseillé de remplacer les deux courroies de transmission en même temps.

## Remplacement de la courroie

- Démontez le couvre-courroie en plastique qui se trouve sur l'avant du moteur. Il suffit pour cela de retirer les trois vis auto-taraudeuses.
  - Vérifiez que les courroies ne sont pas effilochées, fendillées ou trop usées. Remplacez les courroies au besoin.
- Suivez les instructions ci-dessous pour vérifier l'état des courroies d'entraînement toutes les 50 heures d'utilisation.

## Inspectez la courroie

Consultez la notice d'utilisation du moteur pour tout ce qui concerne l'entretien du moteur.

## Moteur

2. Lubrifiez la face de le support de la poulie de tension avec un lubrifiant léger pour temps froid au moins une fois par saison. Voir la Figure 10.

Figure 10

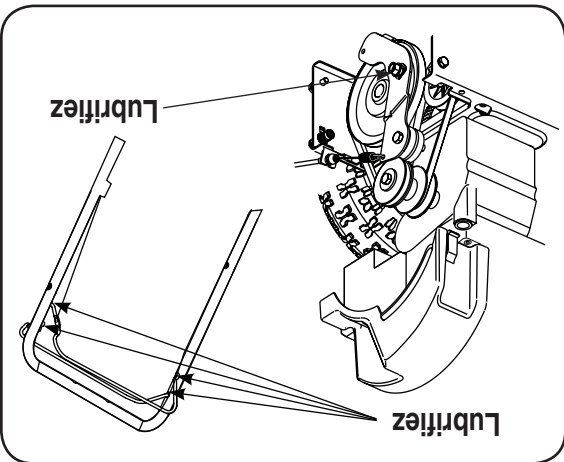
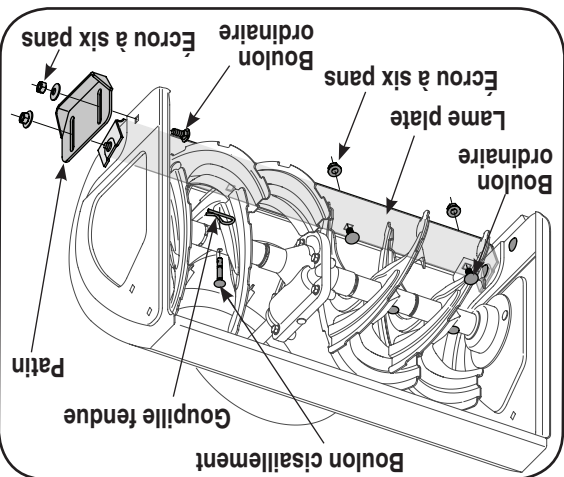


Figure 9



- RECOMMANDATIONS D'ORDRE GÉNÉRAL**
1. Respectez toujours les signes de sécurité lors de l'entretien.
  2. La garantie de cette souffreuse ne s'applique pas aux pièces qui ont fait l'objet d'une utilisation abusive ou négligente. Pour bénéficier au maximum de la garantie, le conducteur de la souffreuse doit l'entretenir conformément aux instructions fournies.
  3. Vérifiez régulièrement que toute la boulonnerie est bien serrée.
- AVERTISSEMENT:** Portez toujours des lunettes de sécurité en utilisant la souffreuse ou en effectuant tout réglage ou toute réparation.



## Lame plate et patins

- La lame plate et les patins sont installés sous la souffreuse et ils risquent de s'user. Vérifiez-les régulièrement et remplacez-les au besoin.
1. Pour retirer les patins:
    1. Enlevez les quatre boulons ordinaires et les contre-écrous à embase qui les maintiennent sur la souffreuse.
    2. Remontez les nouveaux patins avec les boulons ordinaires (deux sur chaque côté) et les contre-écrous à embase. Voir les Figures 18A ou 18B.
  2. Pour démonter la lame plate:
    1. Enlevez les boulons ordinaires et le contre-écrou à embase qui la maintiennent ainsi que les patins sur la souffreuse.
    2. Installez la lame plate neuve en vérifiant que la tête des boulons ordinaires se trouve à l'intérieur de l'habitacle. Serrez à fond.

## Tarrières

- Deux goupilles de cisaillement et deux goupilles fendue maintiennent les tarrières sur l'arbre de la tarrière. Les goupilles sont sensées de peut être cisailier si la souffreuse heurte un objet ou un bloc de glace.
- Si les tarrières ne tournent pas, vérifiez si les goupilles se sont cisailées. Vaporisez un lubrifiant à base d'huile sur l'arbre avant d'installer les goupilles neuves.
- **IMPORTANT:** Ne remplacez jamais les boulons de cisaillement avec des boulons ordinaires. Aucun dommage à l'ensemble de la vis sans fin ou à d'autres composants par utiliser des boulons ordinaires ne sera couvert par la garantie de votre souffreuse.

## Lubrification

1. Lubrifiez les points de pivot sur la commande de la tarrière et commande d'entraînement avec une huile légère une fois chaque saison. Voir la Figure 10.

## AVERTISSEMENT



Arrêtez toujours le moteur, débranchez le fil de bougie et mettez-le à la terre contre le moteur avant de nettoyer, de lubrifier ou d'effectuer toute opération d'entretien ou tout réglage de la souffreuse.



**REMARQUE:** Si les tarrières continuent à tourner quand la commande est débrayée, arrêtez le moteur et refaites le réglage.

# 6

## Entretien

## Conseils d'utilisation

- Le déblaiement sera plus facile s'il est effectué peu de temps après une chute de neige.
- Dans la mesure du possible, projetez la neige dans le sens du vent. Chevauchez légèrement les passages successifs.
- Réglez les patins à 1/4 de po en dessous de la lame plate pour un déblaiement normal. On peut abaisser les patins en cas de neige tassée. Voir la Figure 3.
- REMARQUE:** Nous recommandons l'emploi de la souffluse sur du gravier car il risque d'être ramassé et projeté par la tarière et de provoquer des blessures corporelles, des dégâts matériels et/ou d'endommager la souffluse.
- Si pour une raison quelconque, vous devez utiliser la souffluse sur une surface recouverte de gravier, réglez les patins à leur position la plus haute pour assurer un dégagement maximum entre le sol et la lame plate.
- Suivez les mesures préventives figurant dans le chapitre précédent « Arrêt du moteur » pour éviter le gel possible de la machine.
- Nettoyez la souffluse après chaque utilisation.

## Outil de dégagement de la goulotte



**AVERTISSEMENT :** Arrêtez le moteur en retirant la clé de contact et attendez que **TOUTES** les pièces en mouvement se soient immobilisées avant d'utiliser l'outil de dégagement de la goulotte.

- Débrayez les barres de commande de l'entraînement et de la tarière.
- Arrêtez le moteur et retirez la clé de contact.
- Détachez l'outil de dégagement de la goulotte de sa position sur l'arrière de l'habitacle de la goulotte.
- Utilisez l'extrémité en forme de pelle pour déloger et retirer la neige ou la glace qui s'est accumulée dans la goulotte.
- Remplacez l'outil de dégagement sur l'attache à l'arrière de l'habitacle de la tarière. Remettez la clé de contact et faites démarrer la souffluse.
- Tenez-vous au poste de conduite (derrière la souffluse) et embrayez la barre de commande de la tarière pendant quelques secondes pour dégager tout reste de neige ou de glace de la goulotte d'éjection.

The temperature of  
La température du  
silencieux et des  
zones voisines peut  
dépasser 150°F  
(65°C). Évitez de les  
toucher.

Ne dégagez jamais  
la neige ou la glace  
près de la tarière ou  
dans la goulotte à la  
main.

## AVERTISSEMENT



Utilisation  
de la  
souffluse

5

- Vérifiez le réglage de cette commande de la façon suivante :
1. Débrayez la commande et placez-la en position «relève». Le câble doit présenter très peu de jeu SANS toutefois être tendu.
  2. Choisissez un endroit bien aéré et faites démarrer la souffluse selon les instructions dans le paragraphe «pour faire démarrer le moteur». Vérifiez que l'obturateur est réglé à la position rapide.
  3. Tenez-vous à la position de conduite (derrière la souffluse) et enclenchez la tarière.
  4. Attendez environ dix secondes avant de débrayer la tarière. Répétez cette opération plusieurs fois.
  5. Laissez tourner le moteur à plein régime et gardez la manette de commande de la tarière à la position débrayée et « reléve ». Placez-vous devant la machine.
  6. Vérifiez que la tarière est totalement immobilisée et qu'aucune pièce ne bouge.
- IMPORTANT:** Si la tarière n'est pas complètement immobile, retournez immédiatement à la position de conduite et arrêtez le moteur. Attendez que TOUTES les pièces se soient immobilisées avant d'ajuster à nouveau le câble de la tarière, voir "Montage et Réglage" à la page 7.
- ### Utilisation de la souffluse
- REMARQUE:** Laissez le moteur chauffer pendant quelques minutes car il ne peut atteindre toute sa puissance avant d'être à la température de fonctionnement.
- Ajustez la goulotte d'éjection selon le besoin. Ne projetez pas la neige vers un bâtiment car des objets dissimulés risquent toujours d'être projetés assez violemment pour causer des dégâts.
  - Mettez le moteur en marche de la manière expliquée. Eloignez tous les spectateurs et obstacles qui se trouvent devant la souffluse, puis appuyez la barre de commande de la tarière contre le guidon supérieur pour embrayer la tarière. Lâchez la barre de commande pour arrêter la tarière. Lâchez la barre de commande pour embrayer les roues. Lâchez la barre de l'entraînement complètement contre le guidon supérieur pour arrêter les roues.
  - Quand la souffluse commence à se déplacer, tenez fermement le guidon et guidez la souffluse dans la zone à déblayer.
  - Relâchez les barres de commande pour arrêter la projection de neige et le déplacement de la souffluse.
- REMARQUE:** Votre machine est équipée d'une transmission à embrayage. Si les roues arrêtent de tourner en essayant de déblayer une quantité importante de neige, débrayez immédiatement la barre de commande de l'entraînement et laissez les tarières dégager la neige de l'habitacle. Continuez à travailler en effectuant des passages plus étroits.

- ### Démarreur à lanceur
- Tirez lentement sur la poignée du démarreur jusqu'à ce que vous sentiez une légère résistance.
  - Tirez à nouveau, mais rapidement. Ne laissez pas la poignée claquer contre la souffluse. Laissez la corde s'enrouler lentement en retenant la poignée du démarreur. Répétez l'instruction jusqu'à ce que le moteur démarre.
  - Au fur et à mesure que le moteur chauffe et quand il commence à tourner régulièrement, tournez lentement le bouton du volet de départ vers la position SANS VOLET. Si le moteur hésite, tournez à nouveau le bouton du volet de départ à la position VOLET PLEIN, puis revenez lentement à la position SANS VOLET.
- ### Pour arrêter le moteur
- Laissez tourner le moteur pendant quelques minutes pour sécher toute l'humidité qui aurait pu s'y accumuler.
  - Pour empêcher le démarreur à lanceur de geler, procédez comme suit:
- Démarreur électrique en option:** Branchez le fil électrique sur le commutateur du moteur, puis à une prise de courant de 120 volts C.A. Quand le moteur tourne, appuyez sur le bouton du démarreur et faites tourner le démarreur pendant quelques secondes. Le bruit particulier émis par le démarreur ne risque pas d'endommager le moteur ni le démarreur. Débranchez le fil électrique de la prise de courant d'abord, puis du commutateur.
- Démarreur à lanceur:** Quand le moteur tourne, tirez rapidement et fermement sur la corde du démarreur à trois ou quatre reprises. Vous entendrez un claquement qui ne risque pas d'endommager le moteur ni le démarreur.
- Pour arrêter le moteur, enlevez la clé de contact sans la tourner. Débranchez le fil de la bougie pour éviter tout démarrage accidentel lorsque la machine n'est pas surveillée.
- REMARQUE:** Ne perdez pas la clé de contact. Rangez-la dans un endroit sûr. Il n'est pas possible de faire démarrer le moteur sans la clé.
- Enlevez toute la neige et l'humidité du couvercle du carburateur et près des manettes de commande. Déplacez celles-ci plusieurs fois.
- ### AVERTISSEMENT: La température du pot d'échappement et des zones voisines peut dépasser 150°F (65°C).
- Évitez de les toucher.**
- ### Test de la commande de la tarière
- IMPORTANT:** Faites ce test avant d'utiliser la souffluse pour la première fois et au début de chaque saison d'hiver.



## 5 Utilisation de la souffluse

### AVERTISSEMENT

Toute souffluse en cours de fonctionnement peut projeter un objet vers les yeux, d'où le risque de blessures graves. Portez toujours des lunettes de sécurité en travaillant avec une souffluse et en effectuant toute réparation ou tout ajustement sur la souffluse.

Assurez-vous que personne ne se tient à proximité de la souffluse lors du démarrage ou pendant son utilisation. Ne faites jamais tourner le moteur à l'intérieur ou dans un local clos ou mal ventilé. Les gaz d'échappement du moteur contiennent du monoxyde de carbone, un gaz inodore mortel. Eloignez toujours vos mains, pieds, cheveux et vêtements non ajustés de toutes les pièces en mouvement du moteur et de la souffluse.

## Avant le démarrage



**AVERTISSEMENT: VÉRIFIEZ LE NIVEAU D'HUILE AVANT D'UTILISER LA MACHINE. LE NIVEAU DOIT ATTEINDRE LE REPÈRE «PLEIN» SUR LA JAUGE AVANT DE METTRE LE MOTEUR EN MARCHÉ.**

Le non-respect de cette procédure peut causer des dégâts graves au moteur et ceux-ci ne seront pas couverts par la garantie.

## Pleins d'essence et d'huile

- Faites les pleins d'essence et d'huile selon les instructions fournies dans la notice d'utilisation du moteur qui accompagne la souffieuse. Veuillez lire ces instructions attentivement.



**AVERTISSEMENT: Ne faites jamais le plein d'essence à l'intérieur, pendant que le moteur tourne ou quand le moteur est chaud. Ne fumez pas en faisant le plein d'essence.**

- Branchez le fil de la bougie. Vérifiez que la boucle métallique, au bout du fil de la bougie (dans la gaine en caoutchouc), est bien attachée à l'embout métal-lique de la bougie.
- Assurez-vous que les commandes de la tarrière et de l'entraînement sont débrayées (relâchées).

**IMPORTANT: LE MOTEUR NE PEUT PAS DÉMARRER SANS LA CLÉ DE CONTACT DANS LA FENTE DU COUVERCLE DU CARBURATEUR. NE PAS TOURNER CETTE CLÉ.**

## Mise en marche du moteur

- Placez la manette du volet de départ à la position «On» (VOLET PLEIN) (Démarrage à froid). Si le moteur est chaud, placez la manette du volet de départ à la position «OFF» (SANS VOLET).
- Pressez deux ou trois fois sur le bouton d'amorçage. Si la souffieuse est équipée d'un démarreur électrique, appuyez une seule fois sur le bouton d'amorçage. Si le moteur est chaud, n'appuyez pas sur le bouton d'amorçage.

**REMARQUE:** Couvrez toujours le trou d'aération dans le bouton d'amorçage avec un doigt quand vous appuyez. Il faudra peut-être amorcer le moteur d'avantage la première fois si la température est inférieure à 15°F (-9°C).

- Assurez-vous que les commandes de la tarrière et de l'entraînement sont débrayées (relâchées).
- Placez la manette de l'obturateur à la position RAPIDE. Enfoncez la clé dans la fente. Assurez-vous qu'elle se met bien en position. Ne tournez pas la clé.

## Démarrateur électrique (en option)



**AVERTISSEMENT: Ce démarreur est équipé d'un fil et d'une prise électrique à trois fils et il est conçu pour fonctionner sur un courant de 120 volts, C.A. Il doit toujours être relié à la terre pour éviter la possibilité d'une décharge électrique qui pourrait blesser le conducteur.**

Suivez soigneusement toutes les instructions ci-dessous. Vérifiez que le câblage de votre maison comporte trois fils reliés à la terre. Si vous n'êtes pas certain, renseignez-vous auprès d'un électricien. Si le câblage de votre maison n'est pas un système à trois fils reliés à la terre, n'utilisez en aucun cas ce démarreur électrique. Si votre système est relié à la terre, mais s'il n'y a pas de prise à trois trous à l'endroit où le démarreur doit normalement être utilisé, faites-en installer une par un électricien qualifié.



**AVERTISSEMENT: Branchez toujours le fil électrique sur la prise du moteur d'abord, puis branchez l'autre extrémité dans la prise de courant. Débranchez toujours le fil à la prise de courant en premier.**

- Branchez le fil électrique dans le commutateur, sur le moteur. Branchez l'autre extrémité du fil dans une prise de courant de 120 volts C.A. à trois trous, mise à la terre.
- Enfoncez le bouton du démarreur pour engager le moteur du démarreur et faire tourner le moteur. (Vous remarquerez peut-être une hésitation de quelques secondes avant que le moteur tourne. Ceci est normal et ne risque pas d'endommager le moteur.)

Quand le moteur démarre, lâchez le bouton du démarreur et tournez progressivement le bouton du volet de départ à la position SANS VOLET. Si le moteur hésite, déplacez immédiatement le bouton du volet de départ à la position VOLET PLEIN, puis revenez progressivement à la position SANS VOLET.

**ATTENTION: Ce démarreur électrique ne comporte pas d'interrupteur thermique. Ne faites pas tourner le moteur pendant plus de 20 secondes sans laisser le démarreur électrique refroidir pendant 10 minutes. Vous risquez d'endommager sérieusement le démarreur électrique si vous ne respectez pas cette consigne.**

**REMARQUE:** Si le moteur du démarreur fonctionne, mais si le moteur de la souffieuse ne tourne pas, vérifiez si l'engrenage du démarreur est couvert de glace. Abrirez la machine jusqu'à ce que l'engrenage ait dégelé et que le démarreur s'enclenche.

## Utilisation

### de la souffieuse



## AVERTISSEMENT

Lisez, comprenez, et suivez toutes les instructions et les signes sur la machine et dans ce notice avant le fonctionnement.


Faites très attention en manipulant de l'essence. L'essence est extrêmement inflammable et les vapeurs sont explosifs. Ne faites jamais le plein d'essence à l'intérieur, pendant que le moteur tourne ou

quand le moteur est chaud. Éteignez toute cigarette ou toute autre source incandescente. Si le câblage de votre maison n'est pas un système à trois fils reliés à la terre, n'utilisez en aucun cas ce démarreur électrique.

Si votre système est relié à la terre, mais s'il n'y a pas de prise à trois trous à l'endroit où le démarreur doit normalement être utilisé, n'utilisez en aucun cas ce démarreur électrique.

Si votre système est relié à la terre, mais s'il n'y a pas de prise à trois trous à l'endroit où le démarreur doit normalement être utilisé, n'utilisez en aucun cas ce démarreur électrique.

**Commandes de la souffluse**



**AVERTISSEMENT**

Lisez, comprenez, et suivez toutes les instructions et les consignes sur la machine et dans ce notice avant le fonctionnement.

N'ajustez jamais la goulotte d'éjection si les barres de commande de la tarière et de l'entraînement sont pas à la position débrayée et si le conducteur ne se trouve pas à côté de la machine.

On peut changer la direction de projection de la neige en tournant la manivelle de la goulotte. Voir la Figure 1. La distance de projection peut être modifiée en relevant la goulotte pour projeter plus loin et en l'abaissant pour la projeter plus près. Desserrez l'écrou à oreille sur le côté de la goulotte d'éjection pour la régler. Faites pivoter la goulotte à la position voulue et resserrez l'écrou à oreille.

**Goulotte d'éjection**

IMPORTANT: Avant d'utiliser votre souffluse, référez-vous à «Test de la commande de la tarière». Lisez et suivez soigneusement les instructions et effectuez tous les ajustements pour vérifier que votre souffluse fonctionne sans risque et correctement.

**Commande de la tarière**

Elle se trouve en dessous du guidon supérieur et sert à embrayer et à débrayer les roues. Tirez à fond la barre contre le guidon supérieur pour embrayer les roues, lâchez-la pour les débrayer.

**Commande de l'entraînement**

La commande de l'obturateur se trouve sur le moteur. Elle sert à régler le régime du moteur et à arrêter le moteur.

**Manettes de commande du moteur**  
Consultez la notice d'utilisation du moteur fournie séparément pour plus de renseignements sur les commandes du moteur et leurs fonctions.

**Patins**  
L'espace entre la plaque de raclage et le sol peut être ajusté en ajustant les patins. Pour débrayer complètement la neige, placez les patins à la position plus haute sur l'habitacle. Utilisez les positions intermédiaire ou basse lorsque la surface à débayer est irrégulière ou recouverte de gravier.

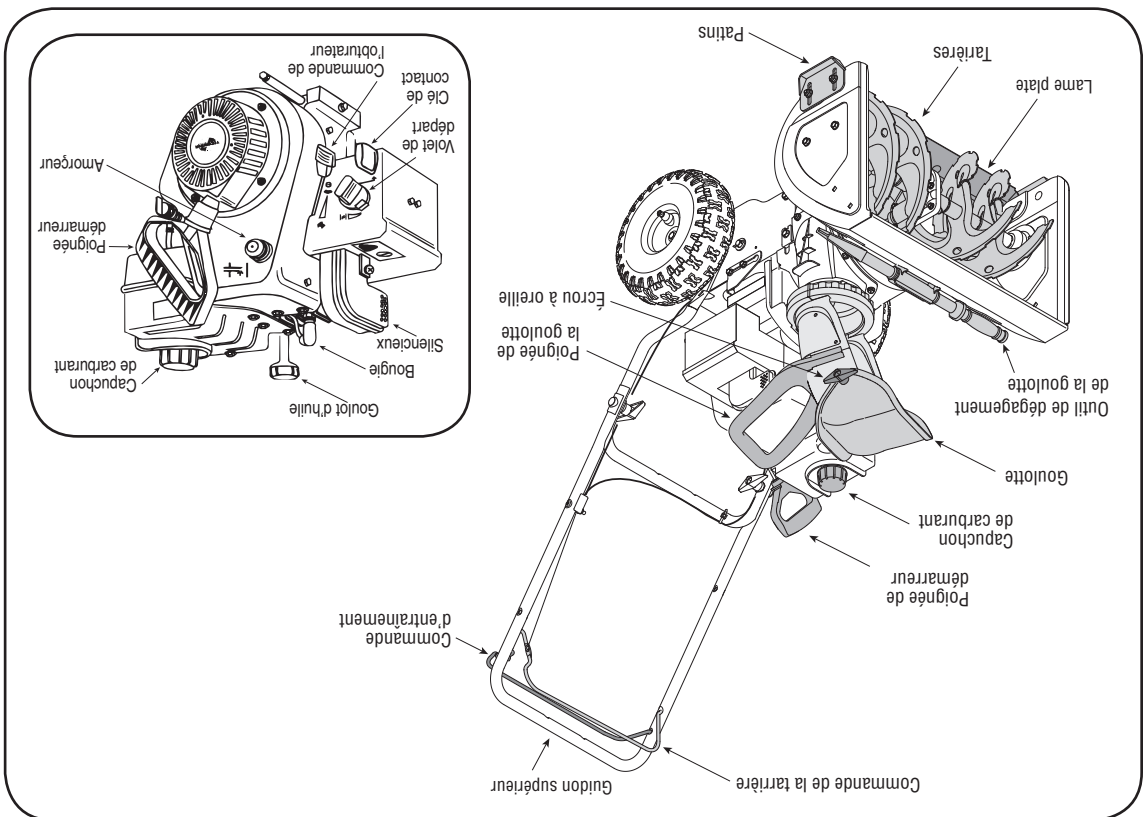
**Plaque de raclage**

Elle maintient le contact avec le sol quand la souffluse avance, ce qui permet l'évacuation de la neige proche du sol.

**Cle de contact**

La clé de contact est un dispositif de sécurité. Elle doit être complètement enfoncée pour mettre le moteur en marche. Retirez la clé quand la souffluse n'est pas utilisée. N'essayez pas de tourner la clé. Elle pourrait se briser.

Figure 7



# 3

## Montage et Réglage



### AVERTISSEMENT

Ne serrez pas trop le câble. Le fait de serrer excessivement le câble risque d'empêcher le débrayage des tarières et de réduire la sécurité de la souffeuse.

Si les tarières continuent à tourner quand la commande est débrayée, arrêtez le moteur et refaites le réglage.

### Pression des pneus

Les pneus sont gonflés excessivement pour l'expédition. **IMPORTANT:** Ne dépassez jamais la pression recommandée par le fabricant. La pression doit toujours être égale dans tous les pneus. Une pression excessive à l'installation des talons peut provoquer l'explosion de l'ensemble pneu et jante et causer des blessures graves. La pression recommandée est indiquée sur le flanc du pneu.

**REMARQUE:** Si la pression n'est pas égale dans les deux pneus, la machine risque de tirer d'un côté plus que de l'autre et la plaque de raclage risque de s'user de façon inégale.

### Patins

L'espace entre la lame plate et le sol peut être ajusté en ajustant les patins. Voir la Figure 7. Pour déblayer complètement la neige, placez les patins à la position plus haute sur l'habitacle. Utilisez les positions intermédiaire ou basse lorsque la surface à déblayer est irrégulière.

1. Ajustez les patins en desserrant les quatre contre-écrous à embase (deux de chaque côté) et les boulons ordinaires. Placez les patins à la position voulue. Voir la Figure 4.
2. Vérifiez que toute la surface inférieure des patins est de niveau et en contact avec le sol pour éviter leur usure inégale.
3. Serrez les boulons et les écrous à fond.

### Installation du câble de la transmission

1. Vérifiez que le câble de la transmission reste parallèle au côté gauche du guidon supérieur, qu'il suit le dessus du guidon inférieur, et reste ensuite parallèle au côté droit du guidon inférieur. Voir la Figure 5.
2. Trois attaches maintiennent les deux câbles de commande sur le guidon inférieur. Deux de ces attaches se trouvent sur les montants et la troisième se trouve sur la barre transversale du guidon inférieur. Serrez ces attaches pour maintenir le câble sur le guidon inférieur. Voir la Figure 5.

### Câble des tarières

1. Desserrez le boulon hex. arrière du support de réglage du câble. Voir la Figure 6.
2. Glissez le support de réglage du câble pour éliminer tout jeu dans le câble des tarières.
3. Resserrez le boulon hex. arrière.
4. Mettez le moteur en marche et vérifiez que la commande des tarières s'embraye et se débraye correctement.

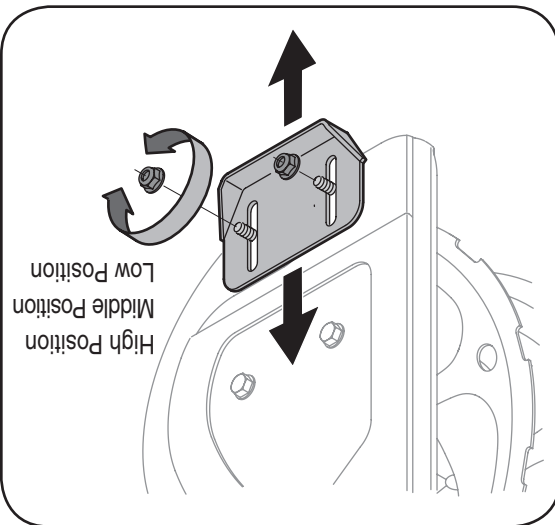


Figure 4

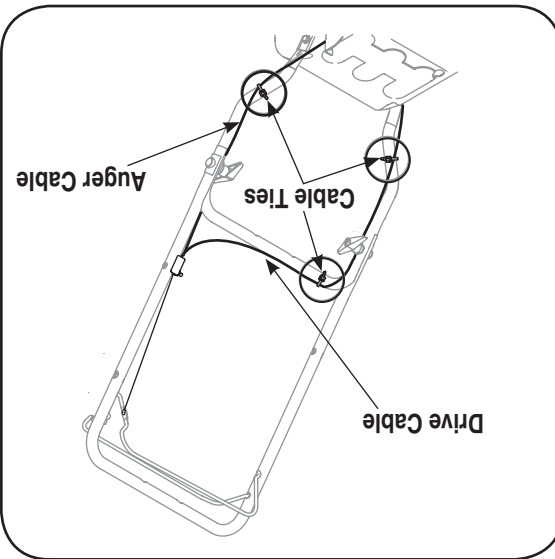


Figure 5

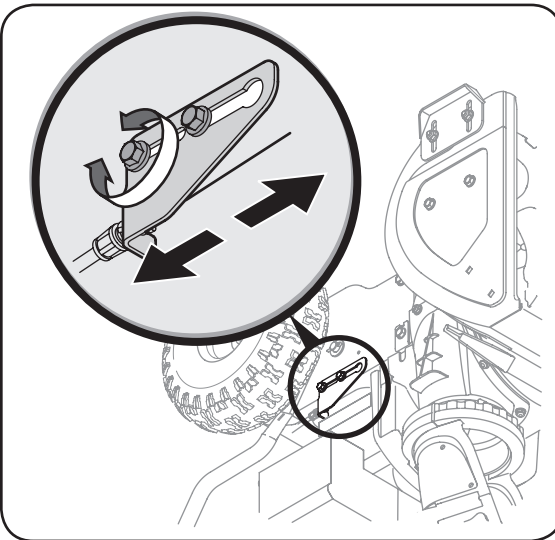


Figure 6

# 3

## Montage et Réglage



### AVERTISSEMENT

Arrêtez toujours le

moteur, débranchez le

fil de bougie et mettez-

le à la terre contre

le moteur avant de

nettoyer, de lubrifier

ou d'effectuer toute

opération d'entretien

ou tout réglage de la

souffleuse.

### NE SOULEVEZ PAS LA MACHINE PAR LA POIGNÉE DE LA GOULÔTE.

**NOTE:** Ne remplacez

jamais les boulons de

cisaillément avec des

boulons ordinaires.

Aucun dommage à

l'ensemble de la vis

sans fin ou à d'autres

composants par utiliser

des boulons ordinaires

ne sera couvert par

la garantie de votre

souffleuse..

Ne dégagez jamais la neige ou la glace près de la tarière ou dans la goulotte à la main.

**IMPORTANT:** Cette machine a été expédiée avec le plein d'huile mais SANS ESSENCE. Après l'assemblage, veuillez consulter la notice d'utilisation du moteur quant au carburant et à l'huile à moteur à employer.

**REMARQUE:** Les côtés droit et gauche de la souffleuse sont déterminés du poste de conduite, derrière la souffleuse.

**REMARQUE:** Cette notice d'utilisation couvre plusieurs modèles, les panneaux, phares et les manivelles de la goulotte sont quelques dispositifs qui peuvent changer par le modèle. Pas toutes les traits discutées dans ce notice sont applicables à tous les modèles de souffleuse.

### Avant Assemblage



**AVERTISSEMENT:** Débranchez le fil de la bougie et mettez-le à la terre contre le moteur pour empêcher tout démarrage accidentel.

1. Coupez l'attache qui maintient le guidon supérieur

sur la goulotte pour l'expédition.

### Installation du guidon

1. Desserrez le bouton de la goulotte (1) et relevez celle-ci (2) le plus possible. Voir la Figure 1.

**AVERTISSEMENT :** Ne soulevez pas la souffleuse

par la poignée de la goulotte.

2. Desserrez le bouton du guidon et l'attache du guidon de chaque côté du guidon. Voir la Figure 2.

3. Pressez les deux commandes contre le guidon

supérieur et relevez le plus possible, comme à la

Figure 3. Vérifiez que le guidon supérieur s'emboîte

bien sur le guidon inférieur et que les attaches sont

bien alignées avec le guidon. Il faudra faire très

attention en déplaçant le guidon supérieur sans

toucher la goulotte.

**ATTENTION: Faites attention de ne pas plier ou**

**pincer le câble.**

4. Resserrez les boulons de chaque côté du guidon.

5. Ajustez le guidon supérieur et placez la goulotte à la

position désirée.

6. Serrez le bouton de la goulotte sur la partie supérieure de la goulotte de façon que la rondelle plate et le bouton ordinaire soient correctement placés. Voir la Figure 1.

### Outil de dégagement de la goulotte

Cet outil et le fil électrique, le cas échéant, ont peut-être été attachés sur l'arrière de l'habitacle de la tarière pour l'expédition. Dans ce cas, coupez l'attache et retirez le fil électrique.

Figure 1

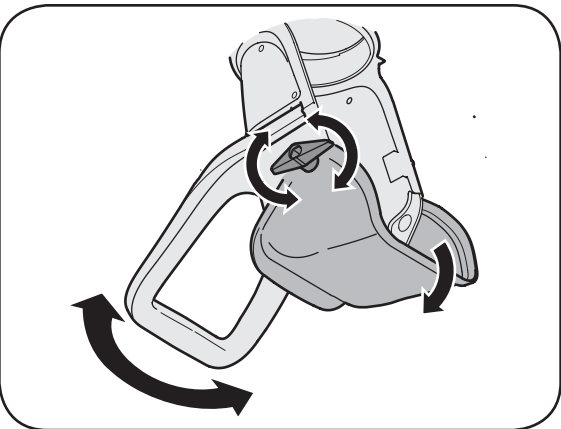


Figure 2

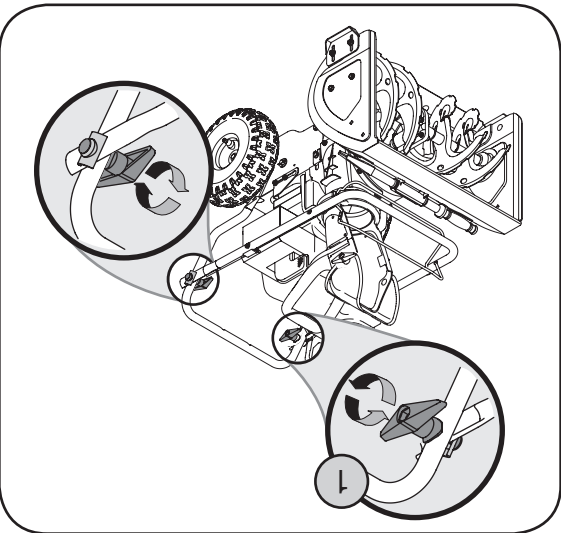
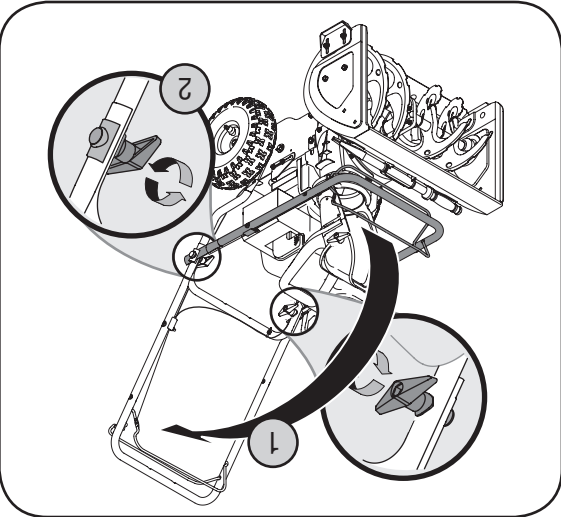


Figure 3



### Derniers réglages

**IMPORTANT :** Vérifiez les réglages selon les instructions et effectuez les derniers réglages nécessaires avant d'utiliser la machine. Vérifiez que tous les écrous et boulons sont bien serrés. Le non respect de ces instructions peut causer des dégâts à la machine.

5. Ne faites jamais fonctionner la machine dans un local clos ou mal aéré car les gaz d'échappement du moteur contiennent du monoxyde de carbone, un gaz inodore très dangereux.
6. Ne vous servez pas de la machine après avoir bu des boissons alcoolisées ou après avoir pris des médicaments.
7. Le silencieux et le moteur deviennent très chauds et peuvent causer des brûlures. Ne les touchez pas.
8. Soyez extrêmement prudent à proximité des routes, allées ou chemins en gravier. Faites attention aux dangers non évidents et à la circulation.
9. Faites très attention en changeant de direction et en travaillant sur une pente.
10. Prévoyez de travailler en évitant de projeter la neige vers des fenêtres, murs, voitures, etc. car les débris peuvent ricocher et causer des blessures graves ou des dégâts matériels.
11. Ne dirigez jamais la neige vers des enfants, des spectateurs et des animaux de compagnie et ne permettez jamais à quiconque de se tenir devant la machine.
12. Ne fatiguez pas la machine en essayant de débayer la neige trop rapidement.
13. N'utilisez pas la machine si la visibilité est mauvaise ou si la lumière est insuffisante. Gardez toujours un bon équilibre et tenez fermement le guidon. Marchez, ne courez pas.
14. Débrayez la commande de l'ensemble de la tarière et de la tarière pour transporter la machine et lorsqu'elle n'est pas utilisée.
15. Ne déplacez jamais rapidement la souffluse sur des surfaces glissantes. Soyez prudent en reculant.
16. Arrêtez le moteur, débranchez le fil de la bougie et mettez-le à la terre contre le moteur si la machine commence à vibrer de façon anormale. Vérifiez que la machine n'est pas endommagée. Réparez tout dégât éventuel avant de la remettre en marche.
17. Débrayez toutes les commandes et arrêtez le moteur avant de quitter le poste de conduite (derrière les guidons).
18. Ne placez jamais votre main dans la goulotte d'éjection ou près de l'admission. Utilisez toujours l'outil de dégagement pour déboucher l'ouverture de la goulotte. Ne débouchez pas la goulotte d'éjection pendant que le moteur tourne. Arrêtez le guidon jusqu'à ce que toutes les pièces en mouvement se soient immobilisées avant de déboucher la goulotte.
19. N'utilisez que des accessoires homologués par le fabricant de la machine. (ex. poids de roues, chaînes, cabine etc.)
20. Faites toujours preuve de bon sens dans des situations qui n'ont pas été abordées par cette notice d'utilisation. Adressez-vous au service après-vente pour obtenir le nom du concessionnaire le plus proche de chez vous.

## Entretien et Remisage

1. Ne modifiez jamais les dispositifs de sécurité. Vérifiez souvent qu'ils fonctionnent correctement. Consultez les chapitres concernant l'entretien et les réglages dans cette notice d'utilisation.
  2. Avant de nettoyer, de réparer ou d'examiner la machine, débrazez toutes les commandes et arrêtez le moteur. Attendez que la tarière/turbine se soit complètement immobilisée.
- D'après la Consumer Products Safety Commission (CPSC) et la "U.S. Environmental Protection Agency" (EPA - Agence américaine de protection de l'environnement), ce produit a une durée de vie utile moyenne de sept (7) ans, ou 60 heures de fonctionnement. Au terme de cette durée de vie utile moyenne, achetez une machine neuve ou faites inspecter la machine chaque année par une station technique agréée pour vous assurer que tous les dispositifs mécaniques et de sécurité sont en bon état de marche et ne sont pas usés de façon excessive. Le non-respect de ces recommandations peut causer des accidents et des blessures graves ou mortelles.
- Durée de vie utile moyenne**
- Les moteurs certifiés conformes aux normes réglementaires de la Californie et de l'agence EPA fédérales pour SORE (petit équipement hors route) sont certifiés pour fonctionner avec de l'essence sans plomb ordinaire et peuvent être dotés des systèmes de contrôle des émissions de gaz suivants : Engine Modification (EM) et Three Way Catalyst (TWC) le cas échéant.
- Avis concernant les émissions de gaz**
- Ne modifiez pas le moteur.
- Pour éviter toute blessure grave ou fatale, ne modifiez pas du tout le moteur. Toute modification du réglage du régulateur peut provoquer l'emballement du moteur et entraîner son fonctionnement à des vitesses dangereuses. Ne modifiez jamais le réglage de l'usine du régulateur.
- Ne modifiez pas le moteur.**
1. Consultez toujours la notice d'utilisation quant aux instructions de remisage hors-saison.
2. L'intérieur s'il y a une flamme, une étincelle ou une veilleuse (d'un chauffe-eau, un radiateur, un fourneau, un sèche-souffluse).
3. Ne remisez jamais la machine ou les bidons d'essence à l'intérieur s'il y a une flamme, une étincelle ou une veilleuse.
4. Laissez la machine fonctionner pendant quelques minutes pour éliminer la neige de la tarière et éviter que l'ensemble de la tarière et de la turbine ne gèle avant de remiser la souffluse.
5. Respectez les règlements concernant l'élimination des déchets et liquides qui risquent de nuire à la nature et à l'environnement.
6. Remplacez les pièces usées.
7. Prenez soin des étiquettes de sécurité et d'instructions et faites les réglages nécessaires. Consultez le chapitre «Réglages» dans la notice d'utilisation de la machine.
8. Vérifiez fréquemment que les commandes fonctionnent bien et compromettez la sécurité de l'utilisateur.
9. Les plaques de raclage et les patins de la souffluse s'usent avec l'usage. Par mesure de sécurité, vérifiez souvent tous les composants et remplacez-les par des pièces authentiques seulement. L'utilisation de pièces qui ne sont pas conformes aux spécifications de l'équipement d'origine peuvent donner lieu à de mauvaises performances et compromettez la sécurité de l'utilisateur.
10. Examinez soigneusement la machine pour vous assurer qu'elle n'est pas endommagée.
11. Ne modifiez pas le réglage du régulateur et ne laissez pas le moteur s'emballer, ce qui peut être dangereux.
12. Les plaques de raclage et les patins de la souffluse s'usent avec l'usage. Par mesure de sécurité, vérifiez souvent tous les composants et remplacez-les par des pièces authentiques seulement. L'utilisation de pièces qui ne sont pas conformes aux spécifications de l'équipement d'origine peuvent donner lieu à de mauvaises performances et compromettez la sécurité de l'utilisateur.
13. Respectez les règlements concernant l'élimination des déchets et liquides qui risquent de nuire à la nature et à l'environnement.
14. Laissez la machine fonctionner pendant quelques minutes pour éliminer la neige de la tarière et éviter que l'ensemble de la tarière et de la turbine ne gèle avant de remiser la souffluse.
15. Ne remisez jamais la machine ou les bidons d'essence à l'intérieur s'il y a une flamme, une étincelle ou une veilleuse (d'un chauffe-eau, un radiateur, un fourneau, un sèche-souffluse).
16. Consultez toujours la notice d'utilisation quant aux instructions de remisage hors-saison.

Cette machine ne doit être utilisée que par des personnes qui peuvent lire, comprendre et respecter les avertissements et instructions qui figurent dans cette notice et sur la machine.

**Votre responsabilité**

**CE SYMBOLE!**

**QUI ACCOMPAGNE**

**L'AVERTISSEMENT**

**RESPECTEZ**

**corporelles.**

entraîner des blessures

ces instructions peut

Le non-respect de

servir de cette machine.

d'essayer de vous

notice d'utilisation avant

figurant dans cette

toutes les instructions

d'autrui. Prière de lire

biens, mais aussi ceux

de votre personne et vos

dangereusement

peuvent mettre en

ne sont pas respectées,

importantes qui, si elles

consignes de sécurité

sur des

de votre attention

de symbole attire

**AVERTISSEMENT**



**sécurité**

**de**

**Consignes**

**2**



# Consignes de sécurité



## AVERTISSEMENT

Ce symbole attire votre attention sur des consignes de sécurité importantes qui, si elles ne sont pas respectées, peuvent mettre en danger non seulement votre personne et vos biens, mais aussi ceux d'autrui. Prière de lire toutes les instructions figurant dans cette notice d'utilisation avant d'essayer de vous servir de cette machine.

Le non-respect de ces instructions peut entraîner des blessures corporelles.

## RESPECTEZ

### L'AVERTISSEMENT QUI ACCOMPAGNE CE SYMBOLE!

### Votre responsabilité

Cette machine ne doit être utilisée que par des personnes qui peuvent lire, comprendre et respecter les avertissements et instructions qui figurent dans cette notice et sur la machine.



## AVERTISSEMENT: Les gaz d'échappement de ce produit contiennent des

produits chimiques reconnus dans l'Etat de Californie comme causant le cancer, des anomalies congénitales ou d'autres problèmes liés à la reproduction.

**DANGER:** Cette machine doit être utilisée conformément aux consignes de sécurité qui figurent dans la notice d'utilisation. Comme avec tout appareil motorisé, une négligence ou une erreur de la part de l'utilisateur peut entraîner des blessures graves. Cette machine peut amputer mains et pieds et projeter des débris. Par conséquent, le non-respect de ces consignes peut causer des blessures corporelles graves et même mortelles.

## Formation

1. Assurez-vous de lire et de bien comprendre toutes les instructions qui figurent sur la machine et dans la notice d'utilisation avant de la mettre en marche. Conservez cette notice d'utilisation à un endroit sûr pour toute consultation ultérieure et pour commander des pièces de rechange.
2. Familiarisez-vous avec les commandes et la bonne utilisation de cette machine avant de vous en servir. Apprenez à arrêter la machine et à débrayer rapidement les commandes.
3. Ne permettez jamais à des enfants de moins de 14 ans de se servir de la machine. Des adolescents plus âgés doivent lire la notice d'utilisation, bien comprendre le fonctionnement de la machine et respecter les consignes de sécurité. Ils doivent apprendre à utiliser la machine et s'en servir sous la surveillance étroite d'un adulte.
4. Ne permettez jamais à des adultes ne connaissant pas bien le fonctionnement de la machine de s'en servir.
5. Les objets projetés par la machine peuvent causer des blessures graves. Évitez de travailler en évitant de projeter la neige vers la route, des spectateurs, etc.
6. Gardez les spectateurs, les animaux de compagnie et les enfants à une distance d'au moins 75 pieds de la machine quand elle est en marche. Arrêtez la machine si quelqu'un s'approche.
7. Soyez toujours prudent pour ne pas glisser ou tomber, surtout en reculant.

## Préparation

1. Examinez soigneusement la zone à débayer et enlevez tous les paillassons, traîneaux, morceaux de bois, fils de fer et autres objets sur lesquels vous pourriez trébucher ou qui risquent d'être projetés par la tarière/turbine.
2. Portez toujours des lunettes de sécurité en utilisant la machine ou en effectuant un réglage ou une réparation. Un objet peut en effet être projeté, ricocher et vous blesser aux yeux.
3. Ne travaillez pas sans porter des vêtements d'hiver adéquats. Ne portez pas de bijoux, d'écharpes longues ou de vêtements amples qui risquent de se prendre dans les pièces en mouvement. Portez des chaussures qui améliorent votre stabilité sur des surfaces glissantes.
4. Utilisez une rallonge à 3 fils et une prise de courant mises à la terre avec toutes les machines équipées d'un moteur à démarreur électrique.
5. Réglez la hauteur de l'habillage pour éviter tout contact avec les surfaces en gravier ou en pierre concassée.
6. Débrayez toutes les commandes avant de mettre le moteur en marche.

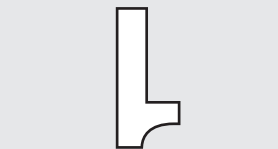
## Manipulation de l'essence

7. N'essayez jamais de régler le moteur pendant qu'il tourne (à moins d'indications contraires de la part du fabricant).
  8. Laissez le moteur et la machine s'habituer à la température extérieure avant de commencer à débayer.
- Pour éliminer tout risque de blessure grave, faites très attention en manipulant de l'essence. Il s'agit d'un produit extrêmement inflammable et les vapeurs risquent d'exploser. Vous pouvez être grièvement blessé si des éclaboussures sur votre peau ou sur vos vêtements s'enflamment. Rincez votre peau et changez immédiatement de vêtements.

- a. Remisez le carburant dans des bidons homologués seulement.
- b. Éteignez toute cigarette ou pipe, tout cigare ou toute autre source incandescente.
- c. Ne faites jamais le plein à l'intérieur.
- d. N'enlevez jamais le capuchon d'essence et n'ajoutez pas d'essence pendant que le moteur tourne.
- e. Laissez le moteur refroidir pendant au moins deux minutes avant de faire le plein.
- f. Ne faites jamais débayer le réservoir. Laissez un espace d'un demi-pouce environ pour permettre l'expansion du carburant.
- g. Resserrez bien le capuchon d'essence.
- h. En cas de débordement, essayez toute éclaboussure sur le moteur et la machine. Déplacez la machine et attendez 5 minutes avant de la remettre en marche.
- i. Ne remisez jamais la machine ou les bidons d'essence à l'intérieur s'il y a une flamme, une étincelle ou une veilleuse (d'un chauffe-eau, un radiateur, un tourneau, un sèche-linge ou autre appareil à gaz).
- j. Laissez la machine refroidir pendant au moins 5 minutes avant de la remiser.

## Utilisation

1. Ne placez jamais vos mains ou vos pieds près d'une pièce en mouvement, dans l'habillage de la tarière ou de la turbine ou dans la goulotte d'éjection. Les pièces en mouvement peuvent amputer mains et pieds.
2. La manette de commande de l'ensemble de la tarière et de la turbine est un dispositif de sécurité. Ne contournez jamais son rôle ce qui rendrait dangereux l'emploi de la machine et pourrait causer des blessures corporelles.
3. Toutes les manettes de commande doivent fonctionner facilement dans les deux directions et revenir automatiquement à la position de débayerage lorsqu'elles sont relâchées.
4. Ne travaillez jamais sans la goulotte d'éjection ou si elle est endommagée. Laissez tous les dispositifs de sécurité en place et assurez-vous qu'ils sont en bon état.



# Étiquettes de sécurité



## AVERTISSEMENT

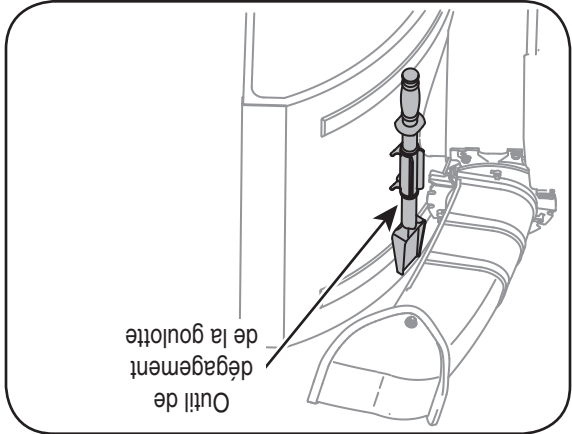
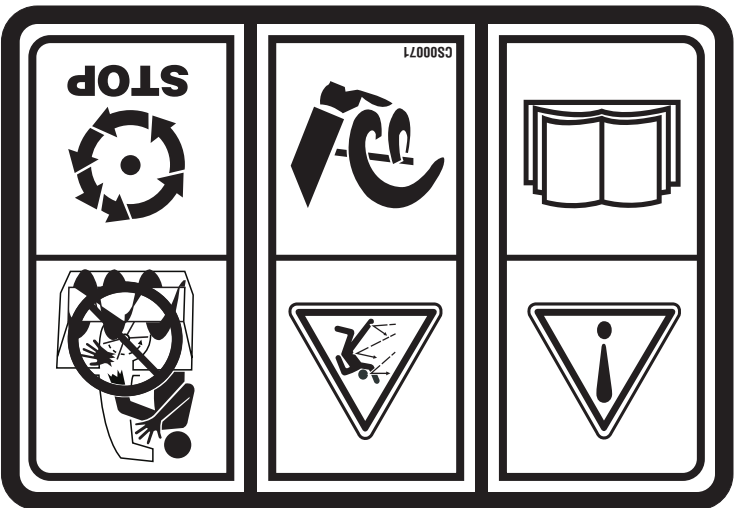
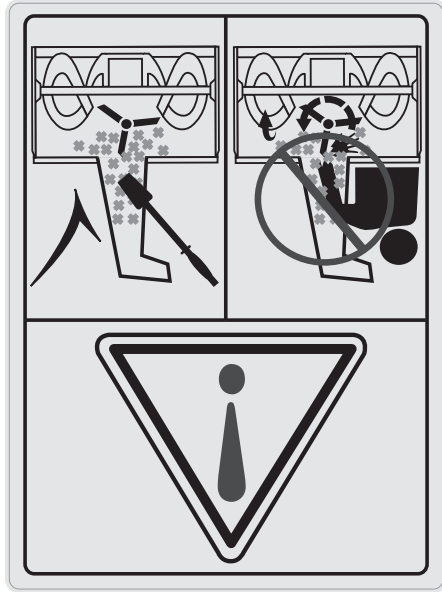
Ce symbole attire votre attention sur des consignes de sécurité importantes qui, si elles ne sont pas respectées, peuvent mettre en danger non seulement votre personne et vos biens, mais aussi ceux d'autrui. Prière de lire toutes les instructions figurant dans cette notice d'utilisation avant d'essayer de vous servir de cette machine. Le non-respect de ces instructions peut entraîner des blessures corporelles.

## RESPECTEZ

### L'AVERTISSEMENT QUI ACCOMPAGNE CE SYMBOLE!

### Votre responsabilité

Cette machine ne doit être utilisée que par des personnes qui peuvent lire, comprendre et respecter les avertissements et instructions qui figurent dans cette notice et sur la machine.



**Un outil de dégagement de la goulotte est maintenu sur le dessus de l'habillage de la tarière avec une attache. Cet outil sert à dégager les accumulations de neige et de glace dans la goulotte. Cet outil a été fixé avec un attache-câble à l'usine. Coupez l'attache-câble avant de mettre la souffluse en marche.**



**AVERTISSEMENT : Ne vous servez jamais de vos mains pour dégager une obstruction dans la goulotte. Arrêtez le moteur et restez derrière les guidons jusqu'à ce que toutes les pièces se soient arrêtées avant de vous servir de l'outil de dégagement pour nettoyer la goulotte.**

1. Visitez le site [www.mtdcanada.ca](http://www.mtdcanada.ca) où vous trouverez de nombreuses suggestions utiles.

2. Appelez un agent du service après-vente au **1-800-668-1238**.

3. Le fabricant du moteur est responsable de tout aspect lié à celui-ci, y compris la performance, la puissance nominale, les caractéristiques, la garantie et le service. De plus amples renseignements se trouvent, en fonction du fabricant, soit dans cette notice d'utilisation soit dans celle qui est emballée séparément avec le produit.

Préparez vos numéros de modèle et de série avant de téléphoner. Veuillez lire le chapitre précédent pour déterminer l'emplacement de ces numéros. On vous demandera d'enregistrer le numéro de série avant de pouvoir poursuivre votre consultation.

Si l'assemblage de cette machine vous pose des problèmes ou pour toute question concernant les commandes, le fonctionnement ou l'entretien de la machine, les spécialistes sont à votre disposition. Choisissez l'une des options ci-dessous:

**Veillez retourner la machine au détaillant qui vous l'a vendue, sans vous adresser d'abord au service après-vente.**

## Service après-vente



AVANT DE PROCÉDER À L'ASSEMBLAGE DE VOTRE NOUVELLE SOUFFLEUSE, localiser la plaque signalétique sur l'équipement, et recopier le numéro de modèle et le numéro de série sur le modèle de plaque signalétique fourni sur la droite. Pour localiser la plaque signalétique, placez-vous derrière la souffleuse à la poste de conduite et regardez à l'arrière du châssis de la souffleuse.

## Pour trouver le numéro de modèle

Étiquettes .....	3
Important consignes de sécurité .....	4
Montage et Réglage.....	6
Commandes de la souffleuse.....	8
Utilisation de la souffleuse .....	9
Entretien .....	12
Remisage hors saison .....	14
Dépannage .....	15
Garantie .....	16
Pièces détachées (voir la page 16 de la version anglaise de cette notice d'utilisation	

## Table des matières

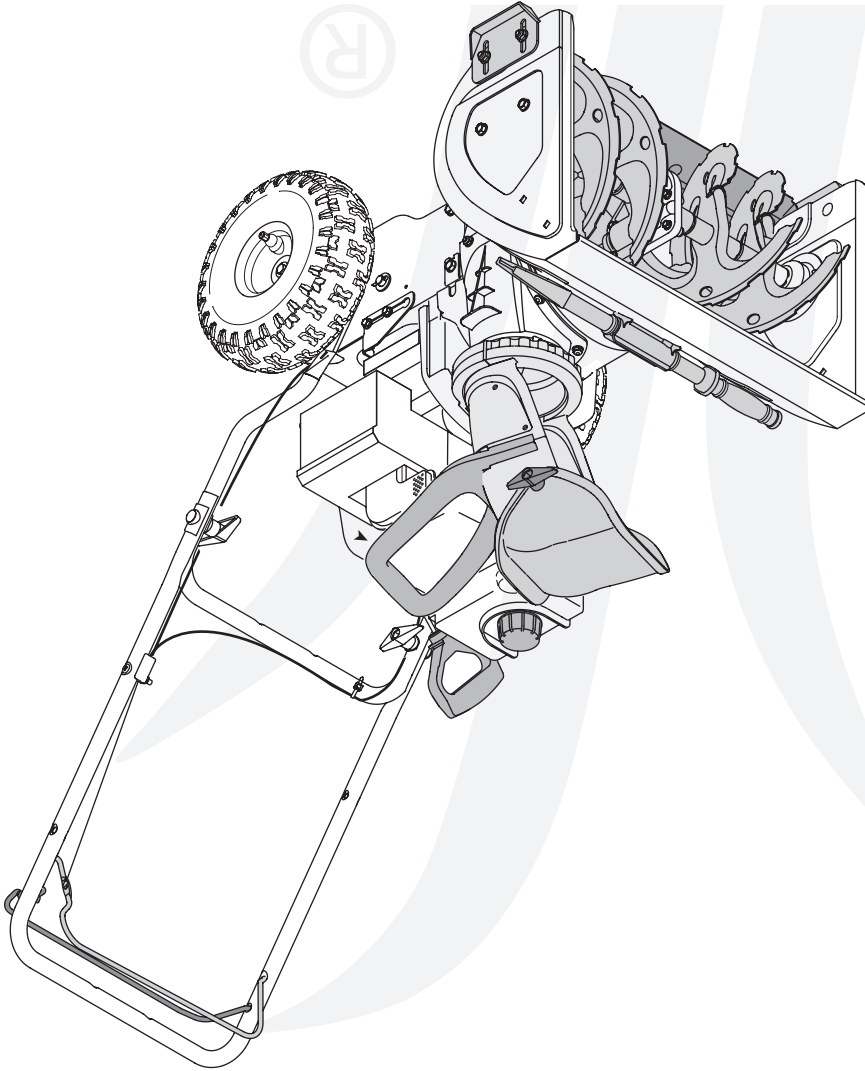
Cette notice d'utilisation est une pièce importante de votre nouvel équipement. Elle vous fournit les renseignements nécessaires à l'assemblage, à la préparation et à l'entretien de votre machine. Veuillez donc la lire attentivement et vous assurer de bien comprendre toutes les instructions.

---

**IMPORTANT:**  
LISEZ ATTENTIVEMENT LES RÈGLES DE SÉCURITÉ ET LES  
INSTRUCTIONS AVANT DE METTRE EN MARCHÉ LA MACHINE.

---

## Souffleuse à neige deux phases



# NOTICE D'UTILISATION

---

Sécurité • Assemblage • Fonctionnement • Réglages • Entretien • Dépannage  
• Listes des pièces détachées • Garantie

---

## Free Manuals Download Website

<http://myh66.com>

<http://usermanuals.us>

<http://www.somanuals.com>

<http://www.4manuals.cc>

<http://www.manual-lib.com>

<http://www.404manual.com>

<http://www.luxmanual.com>

<http://aubethermostatmanual.com>

Golf course search by state

<http://golfingnear.com>

Email search by domain

<http://emailbydomain.com>

Auto manuals search

<http://auto.somanuals.com>

TV manuals search

<http://tv.somanuals.com>