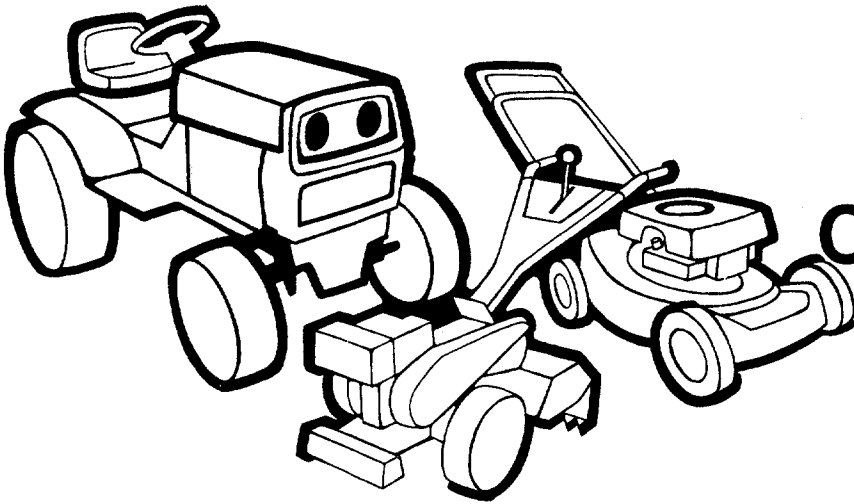


# OWNERS MANUAL



**5 H.P.  
CHAIN DRIVE  
TILLERS**

**ASSEMBLY  
OPERATION  
MAINTENANCE  
PARTS LIST**

**Model Numbers  
214-381-000  
214-385-000**

**Important:  
Read Safety Rules and  
Instructions Carefully**

Thank you for purchasing an  
American built product.

# INDEX

Safe Operation Practices .....	3	Off-Season Storage .....	13
Assembly Instructions .....	4	Trouble Shooting Chart .....	14
Operation .....	8	Illustrated Parts .....	16, 18
How to Use Your Tiller .....	8	Parts Lists .....	17, 19
Adjustments .....	11	Parts for Chain Case .....	20, 21
Lubrication .....	11	Parts Information .....	Back Cover
Maintenance .....	11		

## LIMITED WARRANTY

For one year from the date of original retail purchase, MTD PRODUCTS INC will either repair or replace, at its option, free of charge, F.O.B. factory or authorized service firm, any part or parts found to be defective in material or workmanship. Transportation charges for the movement of any power equipment unit or attachment are the responsibility of the purchaser. Transportation charges for any parts submitted for replacement under this warranty must be paid by the purchaser unless such return is requested by MTD PRODUCTS INC.

This warranty will not apply to any part which has become inoperative due to misuse, excessive use, accident, neglect, improper maintenance, alterations, or unless the unit has been operated and maintained in accordance with the instructions furnished. This warranty does not apply to the engine, motor, battery, battery charger or component parts thereof. Please refer to the applicable manufacturer's warranty on these items.

This warranty will not apply where the unit has been used commercially.

Warranty service is available through your local authorized service dealer or distributor. If you do not know the dealer or distributor in your area, please write to the Customer Service Department of MTD.

The return of a complete unit will not be accepted by the factory unless prior written permission has been extended by MTD.

This warranty gives you specific legal rights. You may also have other rights which vary from state to state.



This unit is equipped with an internal combustion engine and should not be used on or near any unimproved forest-covered, brush-covered or grass-covered land unless the engine's exhaust system is equipped with a spark arrester meeting applicable local or state laws (if any). If a spark arrester is used, it should be maintained in effective working order by the operator.

In the State of California the above is required by law (Section 4442 of the California Public Resources Code). Other states may have similar laws. Federal laws apply on federal lands. A spark arrester muffler is available at your nearest engine authorized service center.



**WARNING**

To reduce the potential for any injury, comply with the following safety instructions. Failure to comply with the instructions may result in personal injury.

## SAFE OPERATION PRACTICES FOR TILLERS

1. It is suggested that this manual be read in its entirety before attempting to assemble or operate this unit. Keep this manual in a safe place for future reference and for ordering replacement parts.
2. Your tiller is a precision piece of power equipment, not a plaything. Therefore, exercise extreme caution at all times.
3. Read this Owner's Manual carefully. Be thoroughly familiar with the controls and the proper use of the equipment.
4. Never allow children to operate a power tiller. Only persons well acquainted with these rules of safe operation should be allowed to use your tiller.
5. Keep the area of operation clear of all persons, particularly small children and pets.
6. Do not operate equipment when barefoot or wearing open sandals. Always wear substantial footwear.
7. Do not wear loose fitting clothing that could get caught on the tiller.
8. Do not start the engine unless the shift lever is in the neutral (N) position.
9. Do not stand in front of the tiller while starting the engine.
10. Do not place feet and hands on or near the tines when starting the engine or while the engine is running.
11. Never attempt to make a wheel or depth bar adjustment while the engine is running.
12. Do not leave the tiller unattended with the engine running.
13. Do not walk in front of the tiller while the engine is running.
14. Check the fuel before starting the engine. Gasoline is an extremely flammable fuel. Do not fill gasoline tank indoors, when the engine is running, or while the engine is still hot. Wipe off any spilled gasoline before starting the engine as it may cause a fire or explosion.
15. Do not run the engine while indoors. Exhaust gases are deadly poisonous.
16. Be careful not to touch the muffler after the engine has been running. It is hot.
17. Do not change the engine governor settings or overspeed the engine. Excessive engine speeds are dangerous.
18. Before any maintenance work is performed or adjustments are made, remove the spark plug wire and ground it on the engine block for added safety.
19. Use caution when tilling near buildings and fences. Rotating tines can cause damage or injury.
20. Before attempting to remove rocks, bricks and other objects from tines, stop the engine and be sure the tines have stopped completely. Disconnect the spark plug wire and ground to prevent accidental starting.
21. Check the tine and engine mounting bolts at frequent intervals for proper tightness.
22. Keep all nuts, bolts and screws tight to be sure the equipment is in safe working condition.
23. Never store the equipment with gasoline in the tank inside of a building where fumes may reach an open flame or spark. Allow the engine to cool before storing in any enclosure.

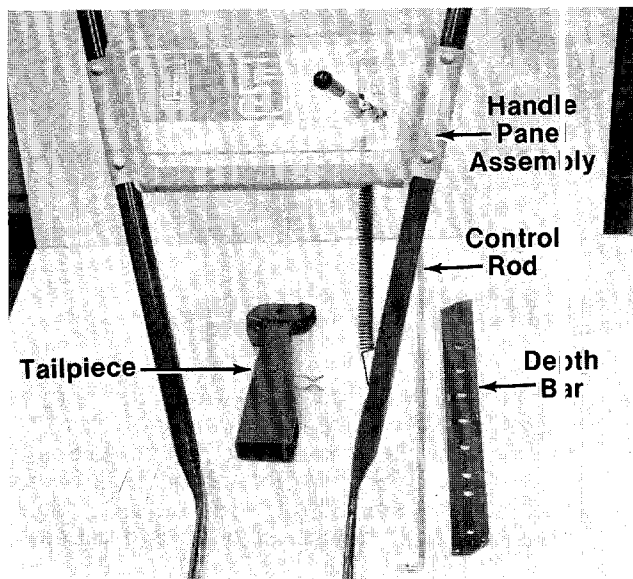


FIGURE 1.

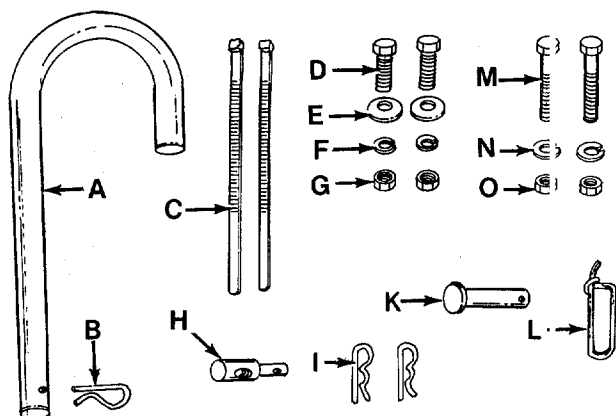


FIGURE 2.

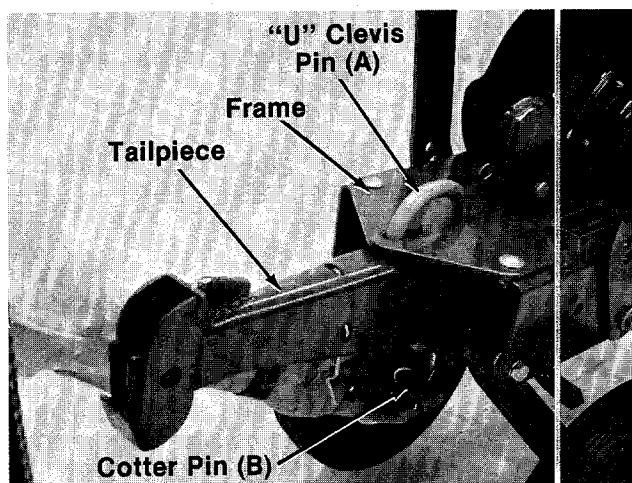


FIGURE 3.

## ASSEMBLY INSTRUCTIONS



This unit is shipped WITHOUT GASOLINE or OIL. After assembly, see separate engine manual for proper fuel and engine oil recommendations.

Before any step is undertaken, the instructions for that step should be read thoroughly.

### Tools Required:

(2) 9/16" Sockets, open or box wrench

### Loose Parts in Carton: (See Figure 1)

Handle Panel Assembly  
Depth Bar  
Tailpiece  
Control Rod  
Hardware Pack (Not Shown)

### Contents of Hardware Pack: (See Figure 2)

A (1) "U"-Clevis Pin .50" Dia.  
B (1) Internal Cotter Pin  
C (2) Cable Ties  
D (2) Hex Bolts 3/8-16 x 1.00" Lg.  
E (2) Belleville Washers 3/8" I.D.  
F (2) Lock Washers 3/8" I.D.  
G (2) Hex Nuts 3/8-16 Thd.  
H (1) Ferrule  
I (2) Hairpin Cotters  
K (1) Clevis Pin  
L (1) Spring Pin  
M (2) Carriage Bolts  
N (2) Lock Washers 5/16" I.D.  
O (2) Hex Nuts 5/16-18 Thd.  
P (2) Clevis Pins (385 Only—Not Shown)  
Q (2) Cotter Pins (385 Only—Not Shown)

### TAILPIECE INSTALLATION

Slide the tailpiece into the frame. Secure with "U"-clevis pin (A) and cotter pin (B). See figure 3.

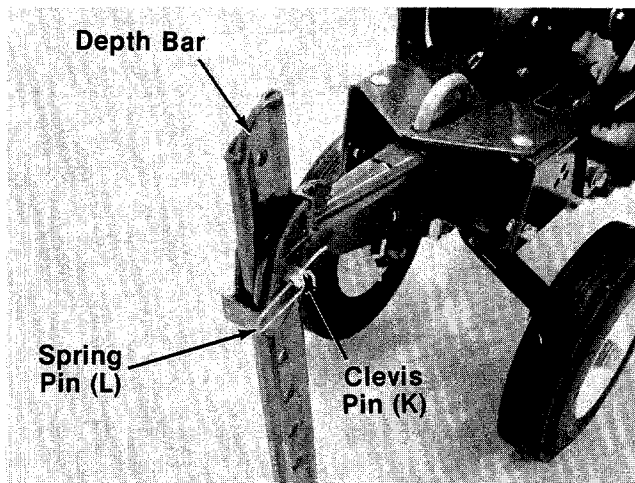


FIGURE 4.

#### DEPTH BAR INSTALLATION

Slide the depth bar into the tailpiece to desired depth. Secure with clevis pin (K) and spring pin (L).

← See figure 4.

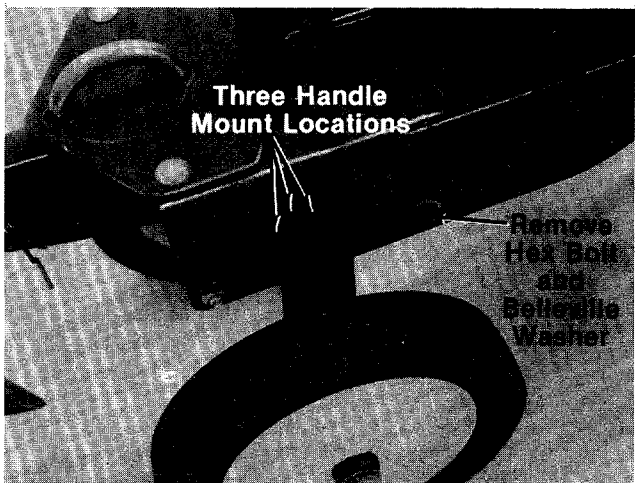


FIGURE 5.

#### HANDLE ASSEMBLY

1. Secure handle panel to handles by placing carriage bolts (M) through the lower holes in the handle panel and through the handles. Secure with lock washers (N) and hex nuts (O), finger tight only.

2. Remove hex bolt and belleville washer from each side of frame as shown in figure 5.

←

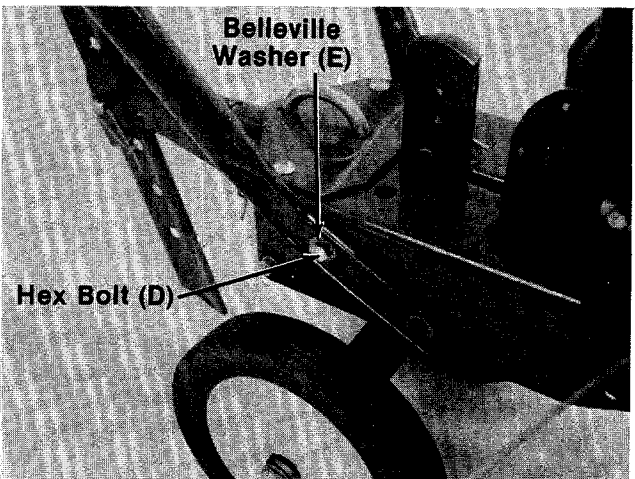


FIGURE 6.

3. Place the handle panel assembly in position against the frame.
4. Start the hex bolt and belleville washer (removed in step 1) by hand in the bottom hole in handle. See figure 6.
5. Select height position for the handle by lining up one of the holes in the handle with desired hole in frame. See figure 5.
6. Place belleville washer (E) on hex bolt (D), and insert hex bolt through handle and frame. Secure with lock washer (F) and hex nut (G) on inside of frame. See figure 6.
7. Tighten all nuts and bolts securely.



**The clutch rod must be readjusted whenever the handle height is changed.**

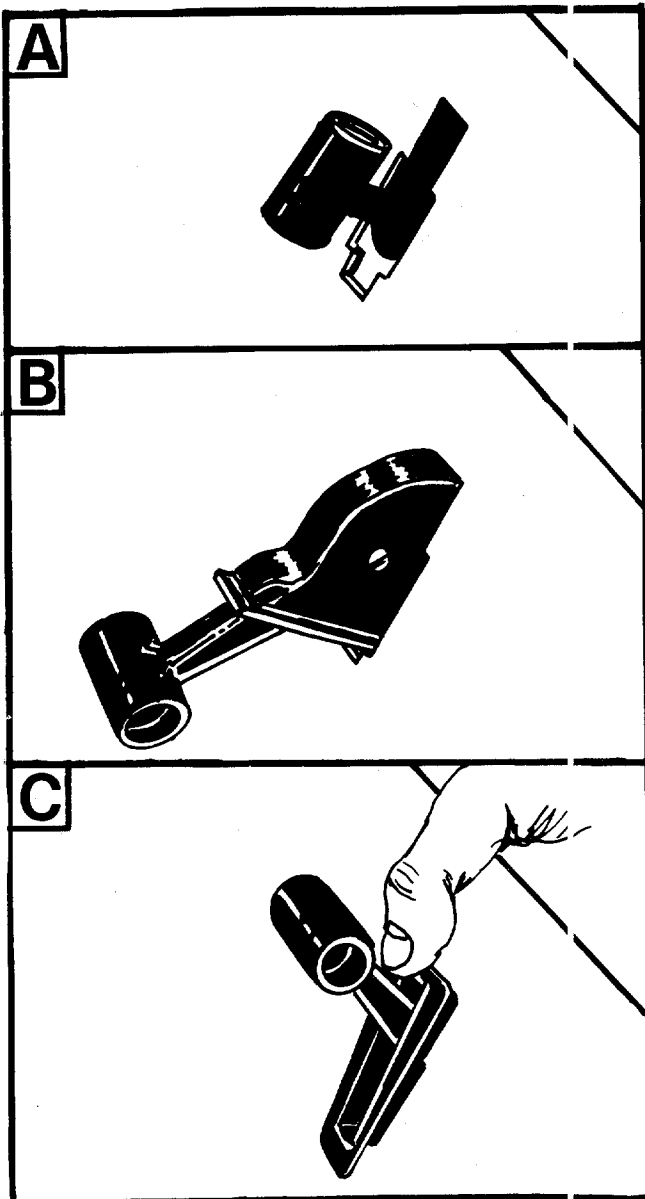


FIGURE 7.

### THROTTLE CONTROL ASSEMBLY

Assemble the throttle control to the handle panel as follows.

1. Hold the throttle control assembly beneath the handle panel. Turn the control sideways and insert the lever up through the wide portion of the slot on the handle panel. See figure 7A.

2. After the end of the lever is through the slot, turn and then tip the control forward as shown in figure 7B to slide it through the slot.



The lever must be all the way to the back of the control housing as shown in figure 7B.

3. Push the control back into the slot in the handle panel and press in place. Be certain the control is locked securely into the slot.

4. Secure throttle control cable to handle with cable ties (C). Cut off excess ends.

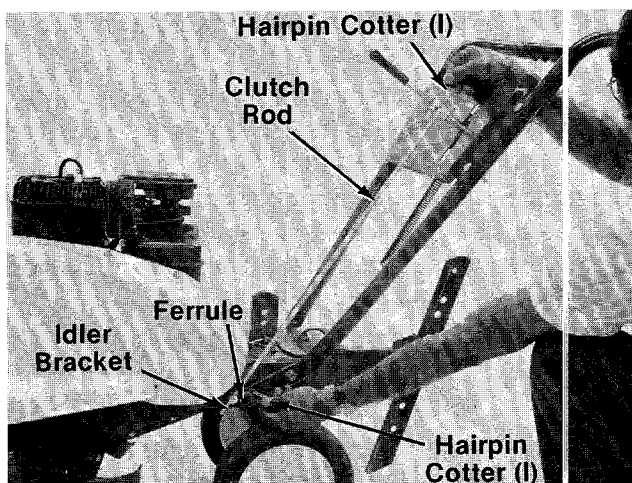


FIGURE 8.

### CLUTCH CONTROL ROD INSTALLATION

1. Place shift lever (located on handle panel) in neutral (N) position. Place bent end of control rod into shift lever. Secure with hairpin cotter (I). See figure 8.

2. Thread ferrule (H) onto the other end of control rod so that the ferrule lines up with the hole in idler bracket. Secure with hairpin cotter (I). See figure 8.

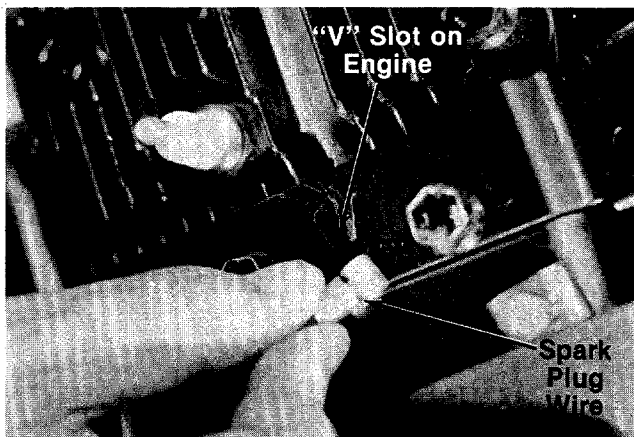


FIGURE 9.

3. Disconnect the spark plug wire from spark plug to prevent accidental starting. Secure end of spark plug wire in the "V" slot on the engine. See figure 9. With the clutch lever in neutral position, pull starter cord several times. **The tines should not turn.** If they do, remove the hairpin cotter and remove the control rod from the clutch lever. Thread the control rod in or out of the ferrule as necessary. Replace and check again for correct adjustment.

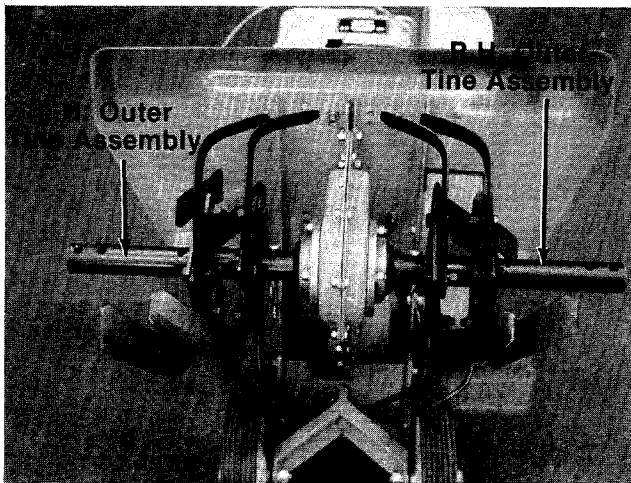


FIGURE 10.

### TINE ASSEMBLIES

#### Model 381 Only

Check to be certain the tine assemblies are on the tine shaft so that the sharp edge enters the soil first. See figure 11.

#### Model 385 Only

- The inner tine assemblies are installed at the factory. The outer tine assemblies are inverted. See figure 10. The right hand outer tine assembly has been removed, inverted and slid onto the left hand side for shipping only. The same has been done with the left hand outer tine assembly.

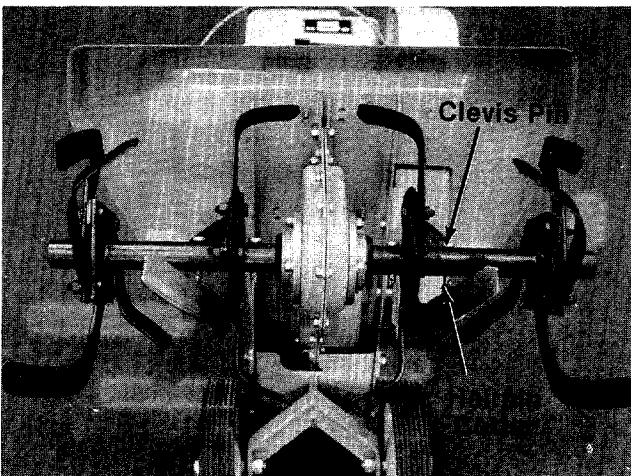


FIGURE 11.

- Remove both outer tines. Place tine removed from left hand side on right hand shaft. Place tine removed from right hand side on left hand shaft. Make sure that the sharp edge of the tines enters the soil first. Secure with clevis pins (P) and internal cotter pins (Q). See figure 11.

# OPERATION

## BEFORE STARTING ENGINE:

1. Before starting, fill crankcase with oil as instructed in the separate engine manual packed with the unit.
2. Fill fuel tank with clean, fresh, lead-free, low-lead, or regular grade leaded gasoline.

Fill here with gasoline

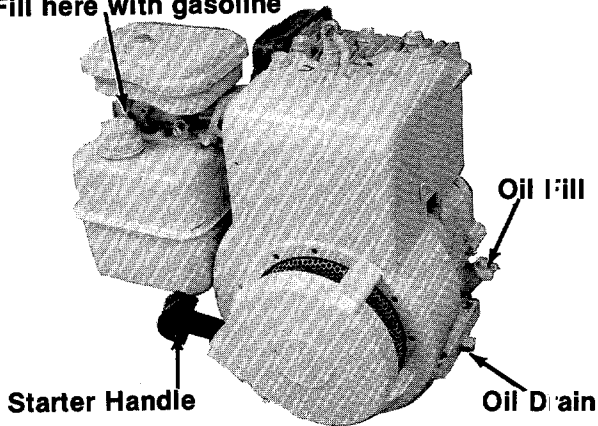


FIGURE 12.

## TO START ENGINE:



### CAUTION

Be sure no one is standing in front of the tiller while the engine is running or being started.

1. Place the shift lever in the neutral (N) position. See figure 13.

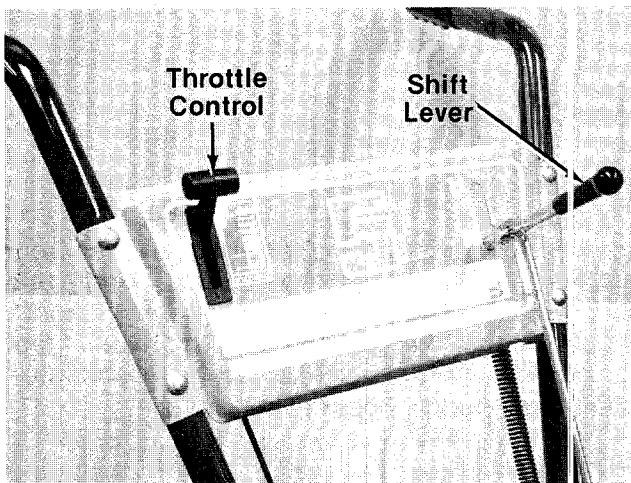


FIGURE 13.

2. Pull choke knob out to choke engine. See figure 14.



### NOTE

Warm engine does not require choking.

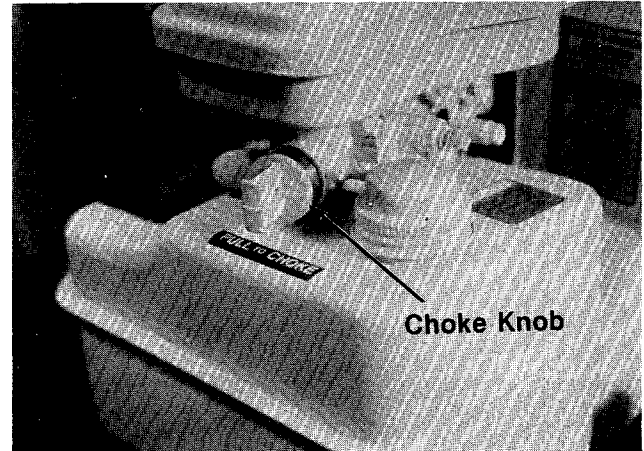


FIGURE 14.

3. Move throttle control lever forward to "START" position. See figure 13.
4. Stand at side of the tiller. Grasp the starter handle and pull out rapidly. Return it slowly to the engine. Repeat if necessary.
5. After engine starts, push choke knob in gradually to "OFF" position.

## TO STOP ENGINE:

1. Move throttle control lever to "STOP" position. See figure 13.
2. Remove spark plug wire from spark plug to prevent accidental starting while equipment is unattended.

## HOW TO USE YOUR TILLER

The tiller is a precision built machine designed for seed bed preparation, cultivating, furrowing and mulching. It is engineered to minimize the hardest work in the vegetable or flower garden, to till the soil for planting and cultivating, and to perform many other useful labor saving tasks in the garden. With the proper amount of care and maintenance, this machine will provide the owner with many years of excellent service.



## WHEEL POSITION

The tiller is shipped with the wheels adjusted such that the unit sits level. During digging as the tines enter the ground and the front of the tiller lowers, the wheels must be raised to level the unit. This is essential for proper engine operation. This adjustment is made by removing the clevis pin and hairpin cotter from wheel yoke, raising the wheels to the desired height, and replacing the clevis pin and hairpin cotter. See figure 15.

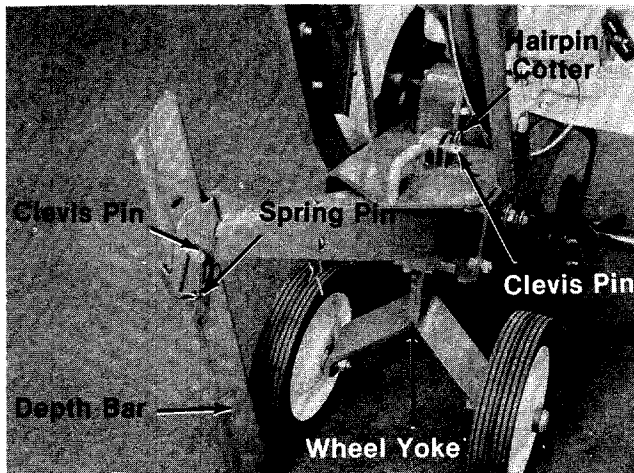


FIGURE 15.

## CONTROLLING SPEED AND TILLING DEPTH:

1. **Wheel Yoke Adjustment:** Place wheel yoke so that the wheels are forward (nearest point between wheels and tines) for shallow tilling, cultivating and transport. This will increase the forward speed. See figure 16. Turn yoke around (farthest point between wheels and tines) for deep tilling. Forward speed will decrease. See figure 16.

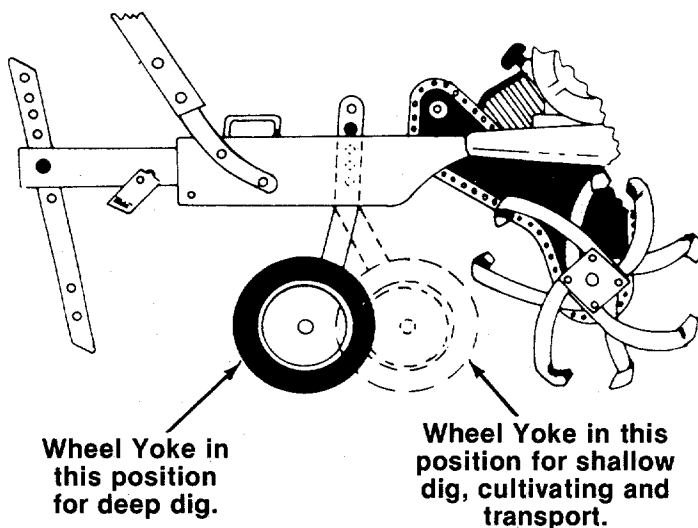


FIGURE 16.

2. **Depth Bar Adjustment:** The depth bar acts as a brake for the tiller and controls the depth and speed at which the machine will operate. See figure 17. Remove the clevis pin and spring pin to raise or lower depth bar.

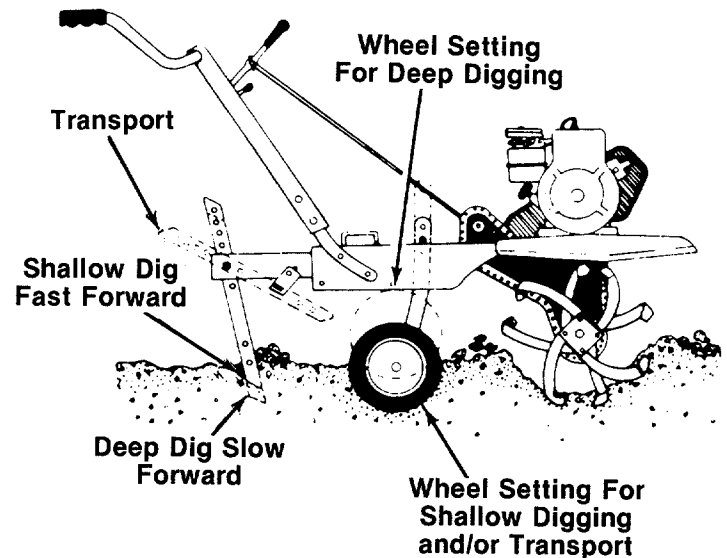


FIGURE 17.

By increasing the depth of the depth bar, the forward speed of the machine is reduced, and the working depth is increased. When the depth bar is raised, the working depth of the machine is reduced and the forward speed is increased. The working depth of the machine may be predetermined by setting the depth bar and wheels so that the wheels are about four inches from the ground when the tines and depth bar are resting on the ground. This setting will permit a working depth of about four inches. Use maximum engine speed for deep tilling. When presetting the working depth, the handles should be a little above waist height because the tiller will be lower when the tines and depth bar penetrate the ground. The best method will be determined by the soil condition. In some soils, the desired depth is obtained the first time over the garden. In other soils, the desired depth is obtained by going over the garden two or three times. In the latter case, the depth bar should be lowered before each succeeding pass over the garden. Passes should be made across the length and width of the garden alternately. Rocks which are turned up should be removed from the garden area.

3. **Handle Pressure:** Further control of tilling depth and travel speed can be obtained by variation of pressure on the handles. A downward pressure on the handles will reduce the working depth and increase the

forward speed. An upward pressure on the handles will increase the working depth and reduce the forward speed. The type of soil and working conditions will determine the actual setting of the depth bar and the handle pressure required.

4. **Throttle Control:** The throttle control lever is located on the right side of handle panel.



Right hand side is determined from the operator's position standing behind the tiller.

The throttle control lever adjusts the engine speed. It also gives fingertip control of the carburetor and magneto stop switch. With the throttle control knob pushed completely forward, the carburetor is in "START" position. Pulling the throttle control back slightly adjusts the engine speed to "FAST." Pulling the throttle back further reduces the engine speed to "SLOW." When the throttle is pulled completely back, the magneto stop switch grounds out the spark and stops the engine.

Use maximum engine speed for deep tilling. Move the throttle control to slow when transporting the tiller. When the tiller is being moved to or from the garden, the depth bar should be pivoted forward until it engages the depth bar spring pin. The machine may be moved under its own power, without damaging grass areas as long as it is allowed to move freely. If the operator holds back, it will start to dig.

### CULTIVATING

For cultivating, a two to three inch depth is desirable. Setting the wheels and depth bar so that the wheels are about two inches above the ground while the tiller is resting on the tines and depth bar will allow the machine to work at cultivating depth. The throttle should be set to control forward movement to a slow walking speed. With standard tines, the working width of the machine is 26 inches. For cultivation, this may be reduced to 14 inches by removing the outer tines. See figures 18 and 19.

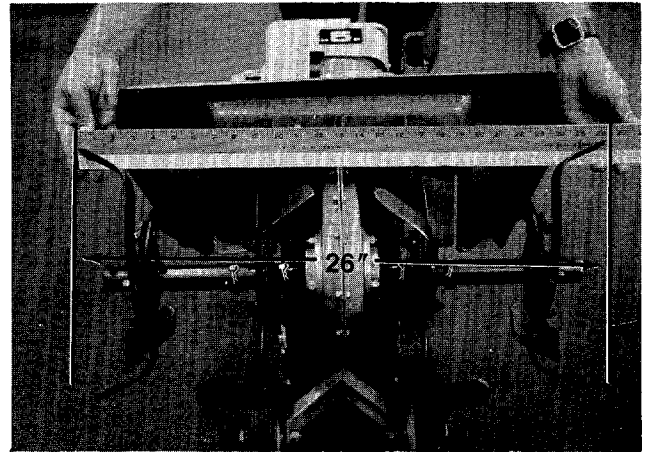


FIGURE 18.

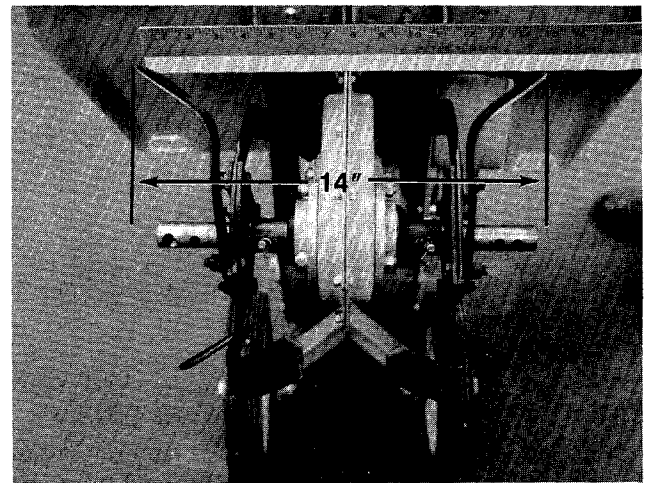


FIGURE 19.

When laying out plant rows, be sure to allow enough width to permit cultivation between the rows. In growing corn or similar crops, check-row planting will permit cross cultivation and practically eliminate hand hoeing.

The tiller has many uses other than tilling and cultivating a garden. One of these is the preparation of lawn area for seeding. The tiller will prepare a deep seed bed which will be free of hard untilled spots, allowing a better stand of grass to grow. The tiller is very useful for loosening hard soil for excavation with a shovel. No tedious hand pickwork will be necessary. Your tiller may be used for mixing compost in the pile, or for mixing it with the soil in your garden. This should be done after the soil has been broken to the full working depth. The compost should be worked in to a depth of six to eight inches. This may be done by working the length of the garden, and then by mixing separate passes across its width. The addition of decayed organic matter will substantially increase the fertility of your garden. For proper decaying action, fertilizer should be applied and

worked in with the mulch materials. Breaking up leaves and straw and mixing it with several inches of soil causes the soil to hold moisture longer and allows proper aeration of the plant root system. It also retards the growth of weeds.

The U.S. Department of Agriculture and various state and local agencies offer published booklets and expert advice on all phases of gardening. They should be consulted regarding soil information, planting dates, and the most satisfactory varieties of crop for your particular area.

## ADJUSTMENTS



**WARNING**

Disconnect the spark plug wire and ground against the engine before performing any adjustments, repairs or maintenance.

### CLUTCH CONTROL ROD

To adjust the clutch control rod, refer to clutch control rod installation, step number 3, under Assembly Instructions.

### WHEEL ADJUSTMENTS

To adjust the wheel yoke and wheel position, refer to "How To Use Your Tiller" on page 8.

### DEPTH BAR ADJUSTMENT

To adjust the depth bar, refer to "How To Use Your Tiller" on page 8.

### CARBURETOR ADJUSTMENT



**WARNING**

If any adjustments are made to the engine while the engine is running (e.g. carburetor), disengage all clutches and tines. Keep clear of all moving parts. Be careful of heated surfaces and muffler.

Do not make unnecessary adjustments. Factory settings are correct for most applications. If adjustments are needed, refer to the separate engine manual packed with your tiller.

## LUBRICATION



**IMPORTANT**

Always stop engine and disconnect spark plug wire before cleaning, lubricating or doing any kind of work on tiller.

## CHAIN CASE

The chain case is pre-lubricated and sealed at the factory. It requires no checking unless the chain case is disassembled. To fill with grease, lay the left half of the chain case on its side, add 14 ounces of Plastilube #0 grease and assemble the right half to it. This grease can be obtained at your nearest authorized dealer.

## MAINTENANCE



**WARNING**

Disconnect the spark plug wire and ground against the engine before performing any adjustments, repairs or maintenance.

### ENGINE OIL

Check oil level every five operating hours. Make sure oil level is maintained full to point of overflowing.

Change the oil in the crankcase after the first two hours of operation of your new engine and after each 25 hours of use thereafter to insure proper lubrication of internal parts. Take care to remove dirt around filler plug. Refer to figure 12.

To change oil, remove drain plug while engine is warm and tip the tiller forward. Replace drain plug. Remove oil filler cap and refill with new oil of proper grade. Replace filler cap.

### AIR CLEANER

The air cleaner prevents damaging dirt, dust, etc. from entering the carburetor and being forced into the engine and is important to engine life and performance.

To service air cleaner, refer to the separate engine manual packed with your unit.

**Never run your engine without air cleaner completely assembled.**

### CLEAN ENGINE

This is an air-cooled engine which operates most efficiently when the cooling fins are clean.

Clean cylinder fins and underside of tank or housing thoroughly of all accumulated grass and debris.

### SPARK PLUG

The spark plug should be cleaned and the gap reset at least once a season or when oil is changed. Spark plug replacement is recommended at the start of each mowing season; check engine manual for correct plug type and gap specification.

## BELT REPLACEMENT

Your tiller has been engineered with belts made of special material (Kevlar Tensile). Replacement should not be made with an off-the-shelf belt.

If belt replacement is required, order belt or belts by part number from your nearest authorized dealer.

Forward Drive Belt—Part No. 754-0154 1/2" x 3" Lg.

Reverse Drive Belt—Part No. 754-0201 1/2" x 4 1/2" Lg.

### Removing and Replacing the Forward Drive Belt.

1. Remove the belt guard, by removing four (4) hex self-tapping screws.
2. Press down on the left side of the tine shield and slip off the belt guard. See figure 20.

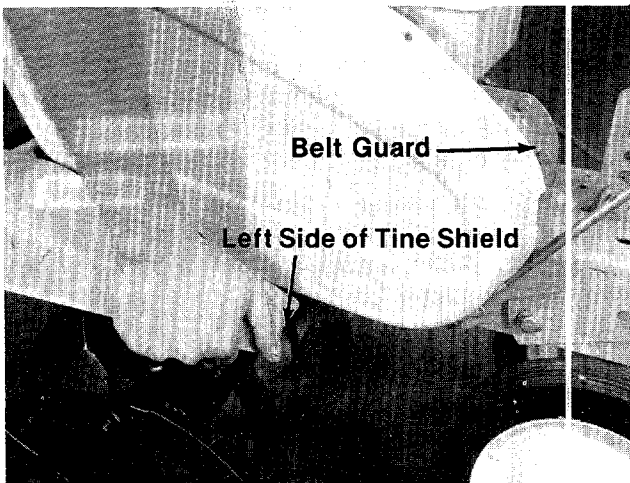


FIGURE 20.

3. Loosen (do not remove) the hex screw and nut holding the belt retainer, using two 7/16" wrenches. See figure 21.



### CAUTION

When reassembling the belt, be certain to secure the belt retainer against the tab on the clutch mounting plate. Incorrect placement of the belt retainer can cause excessive wear on the belt.

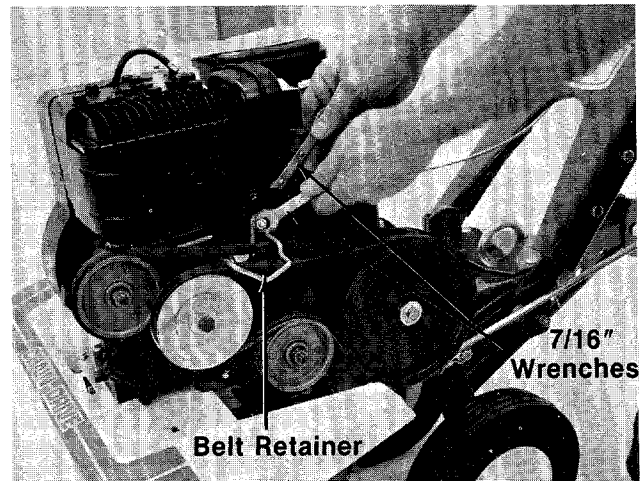


FIGURE 21.

4. Pull the shift lever back into reverse (R) position. Lift the forward drive belt off the engine pulley, flat idler and chain case pulley. See figure 22.

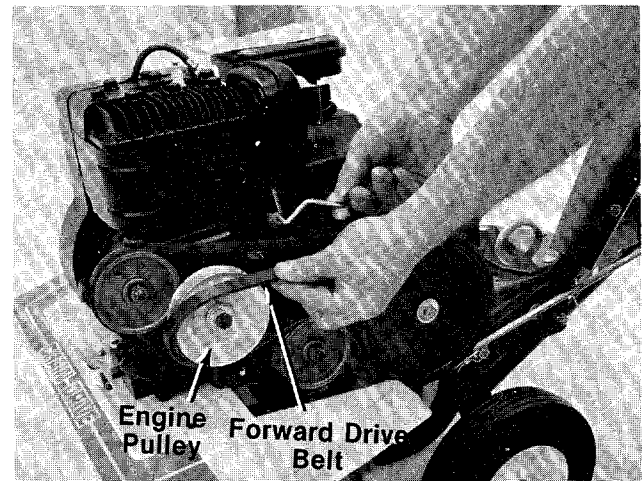


FIGURE 22.

Reassemble the new belt with the "V" side of belt to the inside. Assemble in reverse order.

### Removing and Replacing the Reverse Drive Belt.

1. To remove the reverse drive belt, you must remove the forward drive belt first. See removing the forward drive belt section, steps 1, 2, 3 and 4.
2. With the shift lever in neutral (N) position, slip the reverse drive belt off the chain case pulley and "V"-Groove of engine pulley. See figure 23.

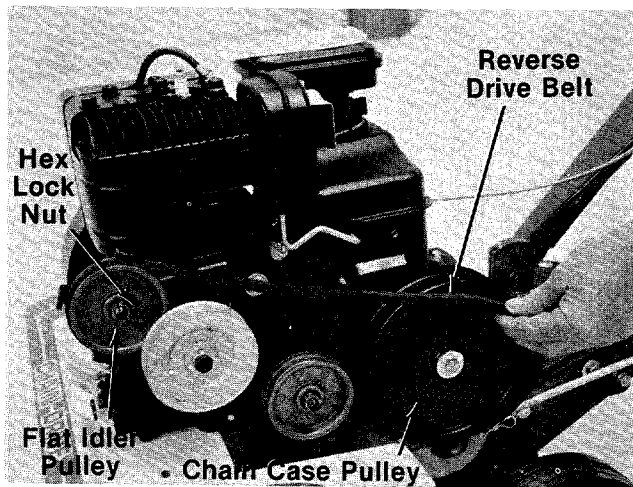


FIGURE 23.

3. Place the shift lever in reverse (R) position. Remove hex lock nut holding the flat reverse idler pulley. See figure 23. Pull the idler bracket forward with one hand. Slip off flat idler and belt together. See figure 24.

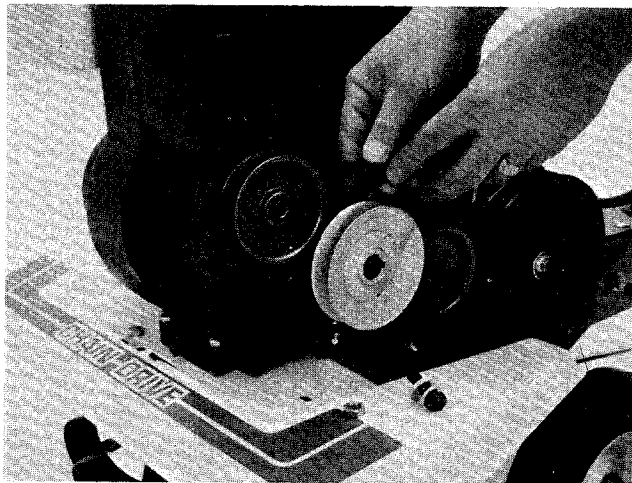


FIGURE 24.

4. When reassembling new reverse drive belt, make sure the V-portion of belt is to the outside and flat side is to the inside. Loop one end of belt over flat idler pulley and place flat idler pulley and belt back in position on idler bracket. Secure idler pulley with hex lock nut.



**NOTE**

Flat idler pulley must be installed with the sleeve side towards the idler bracket. See figure 25.

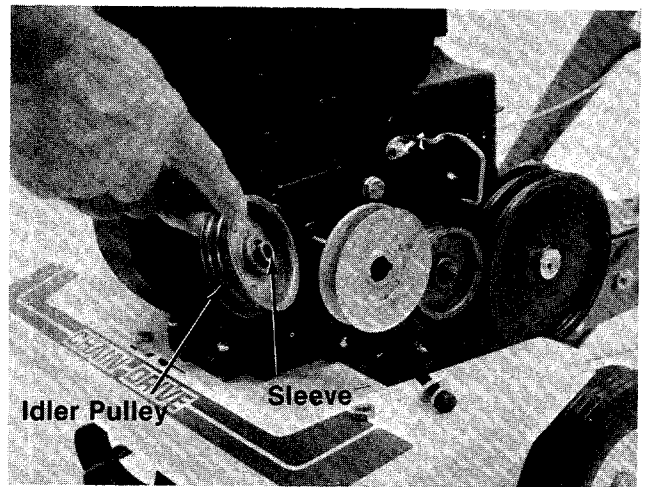


FIGURE 25.

## OFF-SEASON STORAGE

If the tiller is not to be used for a while, the following procedure should be followed. The tines, depth bar, gear case and wheels should be cleaned of all dirt. It is very important that the unit be stored in a level position to prevent engine oil from draining into the cylinder head cavity.

Engines on tillers to be stored between seasons should be completely drained of fuel to prevent gum deposits forming on essential carburetor parts, and fuel tank.

- (a) All fuel should be removed from fuel tank. Run the engine until it stops from lack of fuel. The small amount of fuel that remains in the sump of the tank should then be removed by absorbing it with a clean dry cloth.
- (b) Clean dirt and chaff from cylinder, cylinder head fins and blower housing.
- (c) Remove spark plug, pour 2 or 3 tablespoons of SAE-30 oil into cylinder and pull crank cord out slowly to distribute oil. Replace spark plug.

Just as your automobile needs professional mechanical maintenance from time to time, so does your air-cooled engine. Cleaning and adjusting of the carburetor and periodic replacement of the spark plug and ignition points is made necessary by NORMAL use.

Professional Air-Cooled Engine Service is as close as your telephone book.

A yearly checkup or tune-up by an authorized engine dealer is a good idea to avoid breakdowns or delay...do it at the end of the season, then you're ready for the next.



**CAUTION**

When storing any type of power equipment in an unventilated or metal storage shed, care should be taken to rust proof the equipment. Using a light oil or silicone, coat the equipment, especially any springs, bearings and cables.

2. Replace any remaining fuel on hand or in the engine fuel tank with a fresh supply of winter grade fuel. Winter fuels contain additives for faster starts. Keep fuel tank full.



**NOTE**

It may be necessary to enrich the carburetor idle and high speed jets 1/8 to 1/4 turn (counterclockwise) for good performance.

**TILLER WINTERIZING INSTRUCTIONS FOR USE WITH SNOW BLADE:**

1. For cold weather (below 32°F.), drain oil from tiller engine crankcase and replace with SAE 10W or 10W-20 detergent oil.
3. In the spring of the year, before the tilling season, be sure to change engine oil back to SAE 30W detergent oil.

**TROUBLE SHOOTING CHART**

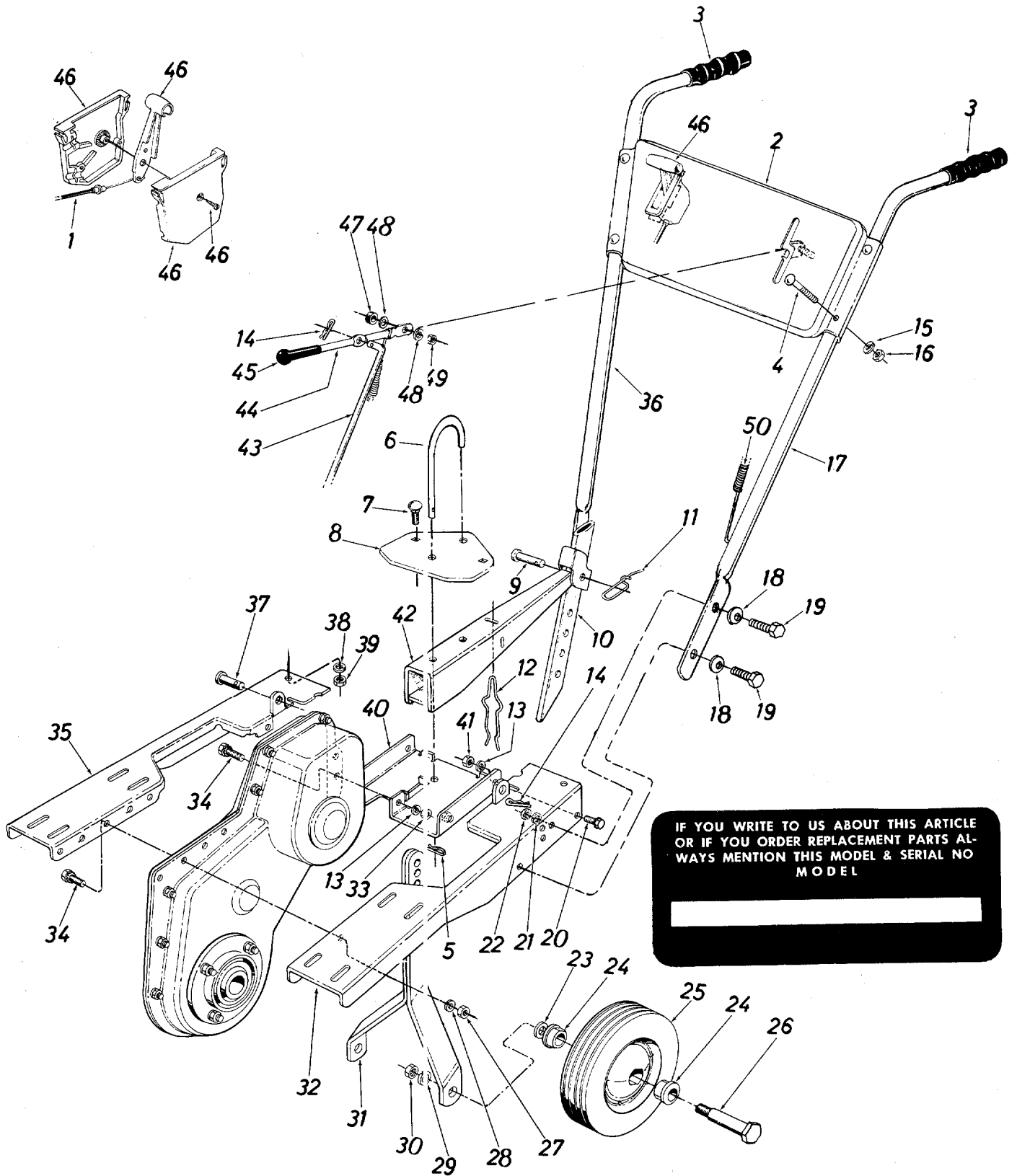
SYMPTOM	POSSIBLE CAUSE(S)	SOLUTION
Engine fails to start	<ol style="list-style-type: none"> <li>1. Check fuel tank for gas.</li> <li>2. Spark plug lead wire disconnected.</li> <li>3. Faulty spark plug.</li> </ol>	<ol style="list-style-type: none"> <li>1. Fill tank if empty.</li> <li>2. Connect lead wire.</li> <li>3. Spark should jump gap between control electrode and side electrode. If spark does not jump, replace the spark plug.</li> </ol>
Hard starting or loss of power	<ol style="list-style-type: none"> <li>1. Spark plug wire loose.</li> <li>2. Dirty air cleaner.</li> </ol>	<ol style="list-style-type: none"> <li>1. Connect and tighten spark plug wire.</li> <li>2. Clean air cleaner as described in engine manual.</li> </ol>
Engine overheats	<ol style="list-style-type: none"> <li>1. Carburetor not adjusted properly.</li> <li>2. Air flow restricted.</li> <li>3. Engine oil level low.</li> </ol>	<ol style="list-style-type: none"> <li>1. Adjust carburetor. See engine manual.</li> <li>2. Remove blower housing and clean as described in the engine manual.</li> <li>3. Fill crankcase with the proper oil.</li> </ol>
Tine control does not engage	Belt worn and/or stretched.	Make control rod adjustment (see Assembly Instructions) or replace belt.

NOTE: For repairs beyond the minor adjustments listed above, please contact your local service dealer.

# NOTES

A large, empty rectangular box with a black border, occupying most of the page. It is intended for the user to write their notes.

# Models 381 and 385



IF YOU WRITE TO US ABOUT THIS ARTICLE  
OR IF YOU ORDER REPLACEMENT PARTS AL-  
WAYS MENTION THIS MODEL & SERIAL NO  
MODEL



# Models 381 and 385

## PARTS LIST FOR MODEL 381 AND 385 TILLERS

REF. NO.	PART NO.	COLOR CODE	DESCRIPTION	NEW PART	REF. NO.	PART NO.	COLOR CODE	DESCRIPTION	NEW PART
1	746-0503		Throttle Control Wire—35"		26	738-0318		Shoulder Bolt .625" Dia. x 2.75" Lg.	
2	784-0034		Handle Panel Ass'y.	N	27	712-0267		Hex Nut 5/16-18 Thd.*	
3	720-0180		Handle Grip		28	736-0119		L-Wash. 5/16" I.D.*	
4	710-0458		Carriage Bolt 5/16-18 x 1.75" Lg.*		29	736-0921		L-Wash. 1/2" I.D.*	
5	714-0149		Internal Cotter Pin		30	712-0200		Hex Inst. L-Nut 1/2-20 Thd.	
6	04602		"U"-Clevis Pin .500" Dia.		31	06813	-463	Wheel Bracket Ass'y.	
7	710-0451		Carriage Bolt 5/16-18 x .75" Lg.*		32	06792		Engine "U"-Channel Ass'y.—L.H.	
8	04586		"U"-Channel Plate		33	712-0267		Hex Nut 5/16-18 Thd.*	
9	711-0231		Clevis Pin .500" Dia.		34	710-0322		Hex Sems Bolt 5/16-18 x 1.00" Lg.*	
10	04668	-463	Depth Bar		35	06794		Engine "U"-Channel Ass'y.—R.H.	
11	732-0194		Spring Pin		36	749-0356		Handle—R.H.	
12	732-0290		Depth Bar Spring		37	711-0599		Clevis Pin	
13	736-0119		L-Wash. 5/16" I.D.*		38	736-0119		L-Wash. 5/16" I.D.*	
14	714-0145		Internal Cotter Pin		39	712-0267		Hex Nut 5/16-18 Thd.*	
15	736-0119		L-Wash. 5/16" I.D.*		40	06816		"U"-Channel Bracket Ass'y.	
16	712-0267		Hex Nut 5/16-18 Thd.*		41	712-0267		Hex Nut 5/16-18 Thd.*	
17	749-0502		Handle—L.H.		42	04589		Tailpiece Ass'y.	
18	736-0105		Belleville Wash. 3/8" I.D.		43	747-0183		Control Rod	
19	710-0253		Hex Bolt 3/8-16 x 1.00" Lg.*		44	747-0182		Clutch Lever	
20	710-0118		Hex Bolt 5/16-18 x .75" Lg.*		45	720-0143		Grip	
21	736-0169		L-Wash. 3/8" I.D.*		46	831-0692		Throttle Control Box Ass'y.	N
22	712-0798		Hex Nut 3/8-16 Thd.*		47	735-0126		Rubber Wash.	
23	736-0253		Belleville Wash. .505 I.D. x 1.00" O.D.		48	736-0159		Fl-Wash. .344" I.D. x .880 O.D. x .06	
24	741-0116		Fl. Bearing w/Flats .631 I.D. (385 Only)		49	712-0158		Hex Cent. L-Nut 5/16-18 Thd.	
25	734-0968		Wheel Ass'y. 9 x 1.75 (381)		50	732-0191		Extension Spring .75" O.D. x 11.0" Lg.	
	734-0584		Wheel Ass'y. Comp. 10 x 1.75 (385)						

\*For faster service obtain standard nuts, bolts, and washers locally. If these items cannot be obtained locally, order by part number and size as shown on parts list.

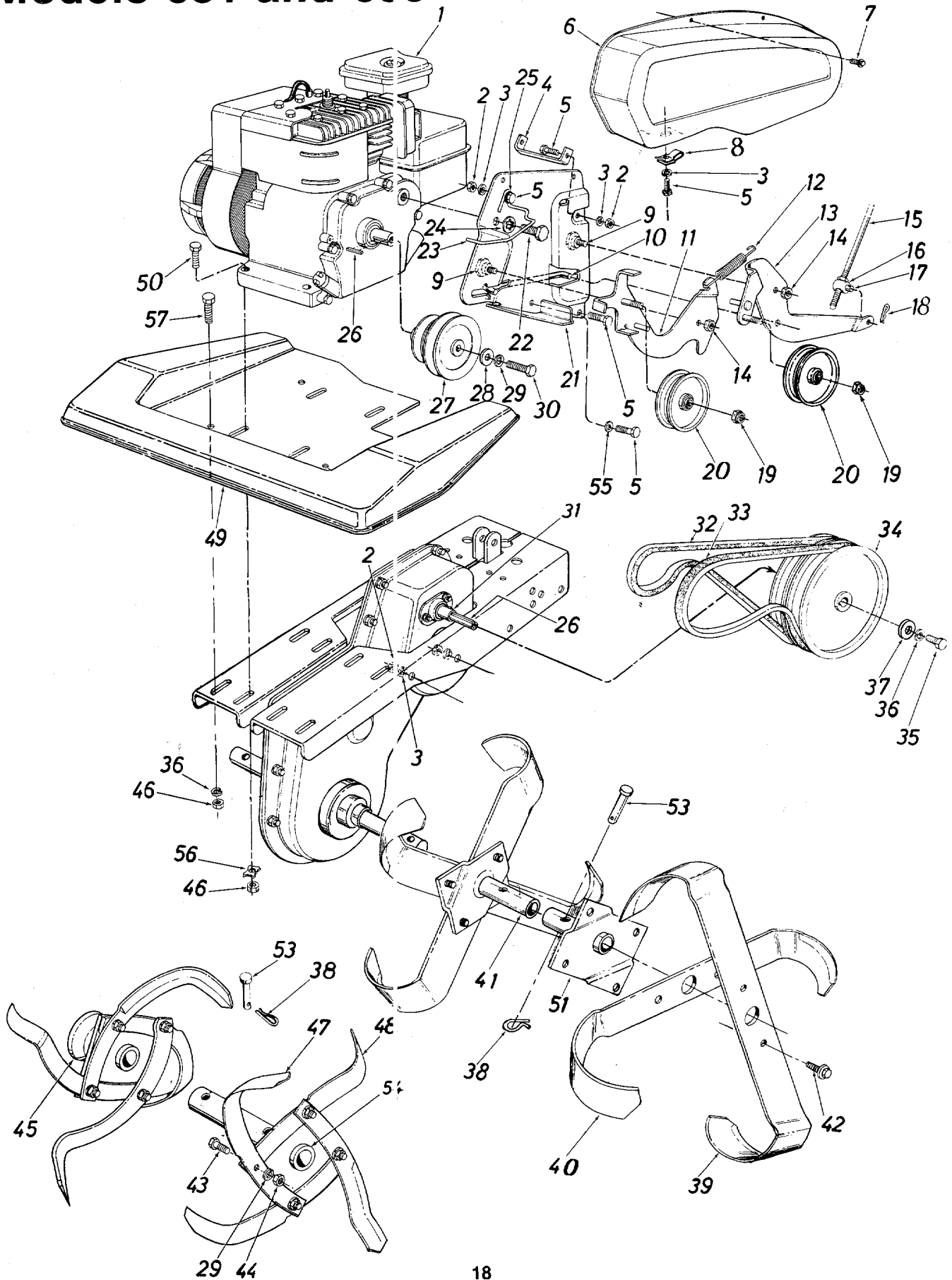
(463—Top Flite Red) When ordering parts if color or finish is important, use the appropriate color (447—Patina Silver) code shown at left. (e.g. Top Flite Red Finish—15278 (463).)

The engine is not under warranty by the tiller manufacturer. If repairs or service is needed on the engine, please contact your nearest authorized engine service outlet. Check the "Yellow Pages" of your telephone book under "Engines—Gasoline."



This instruction manual covers various models and all specifications shown do not necessarily apply to your model. Specifications subject to change without notice or obligation.

# Models 381 and 385



# Models 381 and 385

## PARTS LIST FOR MODEL 381 AND 385 TILLERS

REF. NO.	PART NO.	COLOR CODE	DESCRIPTION	NEW PART	REF. NO.	PART NO.	COLOR CODE	DESCRIPTION	NEW PART
1	—		Engine		32	754-0201		"V"-Belt 1/2" x 41" Lg.	
2	712-0287		Hex Nut 1/4-20 Thd.*					Reverse	
3	736-0329		L-Wash. 1/4" I.D.*		33	754-0154		"V"-Belt 1/2" x 37" Lg.	
4	06801		Support Bracket					Forward	
5	710-0252		Hex Bolt 1/4-20 x .75" Lg.*		34	756-0262		Chain Case Pulley 6.0" Dia.	
6	06796	—447	Belt Guard		35	710-0573		Hex Bolt 5/16-18 x 1.25" Lg.	
7	710-0599		Thread Rolling Scr. 1/4-20 x .50" Lg.					Special	
8	712-0185		"U"-Type Speed Nut		36	736-0170		Shake-Proof Wash.	
9	738-0281		Shoulder Bolt .625" Dia. x .170" Lg. (2 Req'd.)		37	736-0231		FI-Wash. 5/16" I.D. x 1.120	
10	747-0180		Control Rod		38	714-0149		Internal Cotter Pin 1/2" Dia.	
11	06786		Reverse Idler Brkt. Ass'y.		39	742-0209		Tine Blade—L.H. (381)	
12	732-0433		Spring—Idler Brkt.		40	742-0210		Tine Blade—R.H. (381)	
13	06784		Forward Idler Brkt. Ass'y.		41	15697		Inner Tine Adapter Ass'y. (381)	
14	712-0375		Hex Cent. L-Nut 3/8-16 Thd. (2 Req'd.)		42	710-0600		Hex Wash. Hd. Self-Tap Scr. 5/16-18 x .50" Lg. (381)	
15	747-0183		Clutch Control Rod		43	710-0191		Hex Bolt 3/8-24 x 1.25" Lg. (385)	
16	712-0195		Speed Nut 3/8-24 Thd.		44	712-0241		Hex Nut 3/8-24 Thd.* (385)	
17	711-0392		Ferrule		45	06798		Inner Tine Adapter Ass'y. (385)	
18	714-0145		Inter. Cotter Pin		46	712-0267		Hex Nut 5/16-18 Thd.*	
19	712-0262		Hex Jam Nut 3/8-24 Thd. (2 Req'd.)		47	742-0107		Tine—L.H. (385)	
20	756-0225		FI-Idler w/Flanges 3.12 O.D. x .75 (2 Req'd.)		48	742-0108		Tine—R.H. (385)	
21	06803		Clutch Mounting Plate		49	04598		Tine Shield	
22	710-0121		Hex Bolt 1/2-20 x .75 Spec.		50	710-0442		Hex Bolt 5/16-18 x 1.50" Lg.*	
23	747-0181		Belt Guard Rod		51	15380		Outer Tine Adapter Ass'y. (381)	
24	736-0114		Internal L-Wash. 1/2" I.D.		53	1545-029		Clevis Pin (381)	
25	736-0463		FI-Wash. 1/4" I.D.			711-0599		Clevis Pin (385)	
26	714-0133		Sq. Key 3/16" x 1.50" Lg.*		54	04683		Outer Tine Adapter Ass'y. (385)	
27	756-0261		Engine Pulley						
28	736-0258		FI-Wash. 3/8" I.D. x 1.00"		55	736-0175		Bell-Wash.	
29	736-0169		L-Wash 3/8" I.D.*		56	736-0170		Shake-Proof Wash.	
30	710-0191		Hex Bolt 3/8-24 x 1.25" Lg.*		57	710-0118		Hex Bolt 5/16-18 x .75" Lg.*	
31	750-0229		Spacer .635 I.D. x .88 O.D. x 1.035 Lg.						

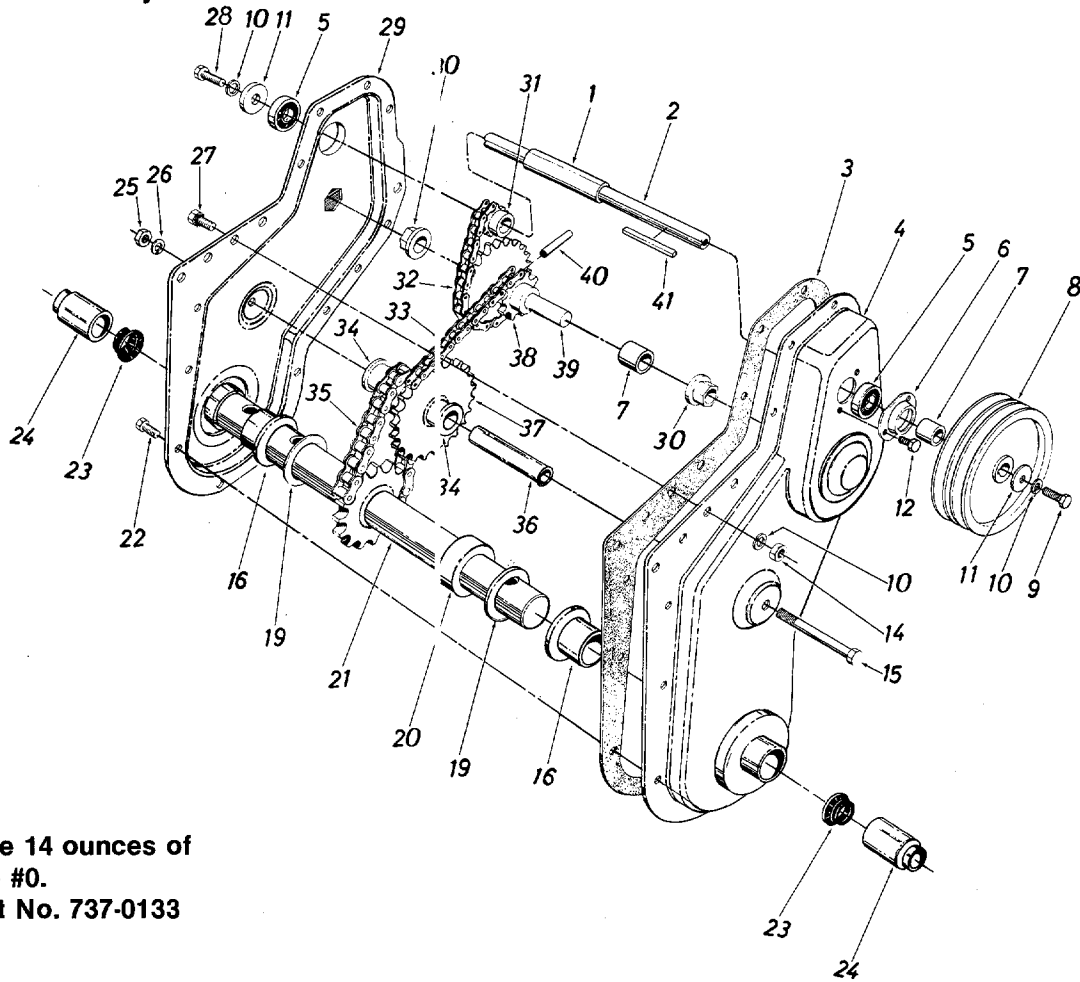
\*For faster service obtain standard nuts, bolts, and washers locally. If these items cannot be obtained locally, order by part number and size as shown on parts list.

### TINE CHART

Model 381 Part No.	Model 385 Part No.	Description
15696	06818	Inner Tine Ass'y. Comp.—R.H.
15378	04290	Outer Tine Ass'y. Comp.—R.H.
15695	06819	Inner Tine Ass'y. Comp.—L.H.
15377	04289	Outer Tine Ass'y. Comp.—L.H.

# Model 381

Chain Case Assembly 15282



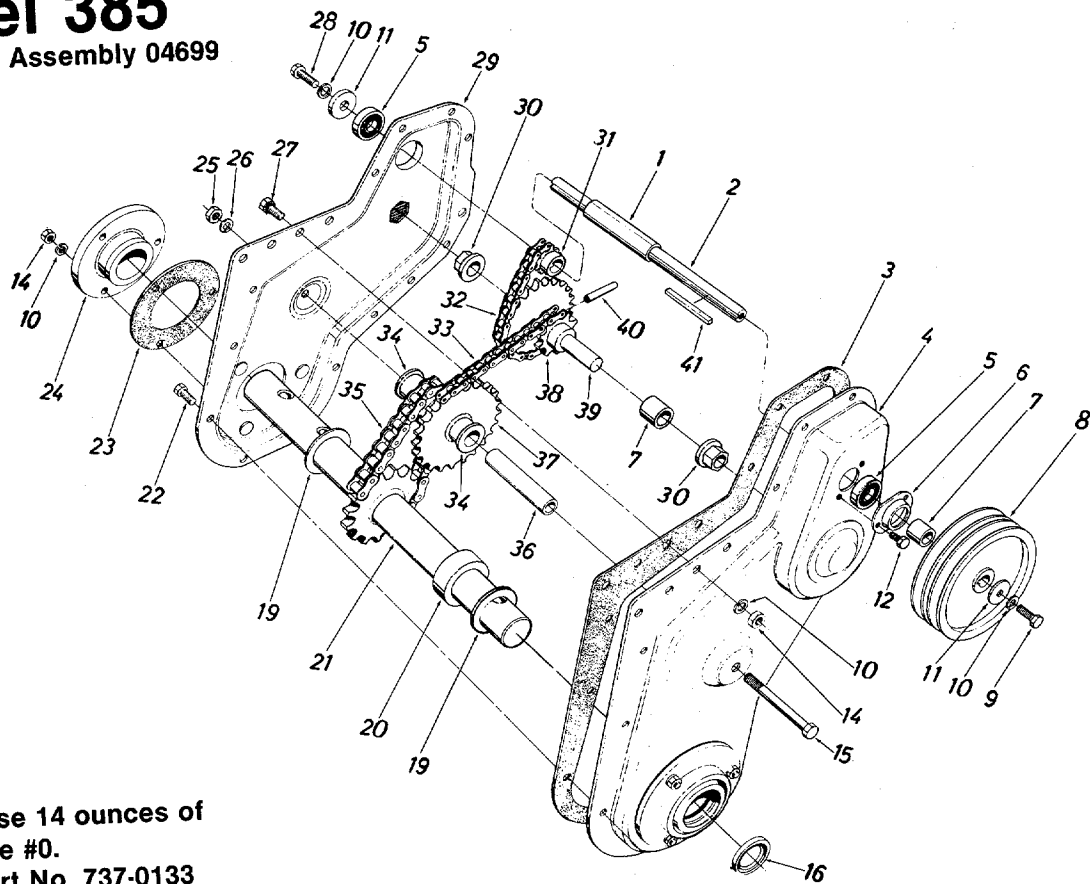
**NOTE: Use 14 ounces of  
Plastilube #0.  
Order Part No. 737-0133**

## PARTS LIST FOR CHAIN CASE 15282 (MODEL 381 TILLER)

REF. NO.	PART NO.	COLOR CODE	DESCRIPTION	NEW PART	REF. NO.	PART NO.	COLOR CODE	DESCRIPTION	NEW PART
1	750-0315		Spacer .657" I.D. x .78" O.D. x 2.19" Lg.		24	731-0487		Dust Cap	
2	738-0182		Jackshaft		25	712-0798		Hex Nut 3/8-16 Thd.*	
3	721-0132		Housing Gasket		26	736-0169		L-Wash. 3/8" I.D.*	
4	15276		Housing Ass'y.—L.H. Half		27	710-0322		Hex Sems Bolt 5/16-18 x 1.00" Lg.*	
5	741-0155		Ball Bearing .625" I.D. x 1.375" O.D.		28	710-0538		Hex Bolt 5/16-18 x .62" Lg. (Special)	
6	05034		Bearing Housing		29	15274		Housing Ass'y.—R.H. Half	
7	750-0229		Spacer .635" I.D. x .88" O.D. x 1.03" Lg.		30	748-0229		Hex Flange Bearing	
8	756-0262		Chain Case Pulley 6.0" Dia.		31	713-0206		Sprocket 10 Tooth 1/2" Pitch	
9	710-0643		Hex Bolt 5/16-18 x 1.0" Lg. (Special)		32	713-0131		#41 Chain 1/2" Pitch x 34 Links	
10	736-0119		L-Wash. 5/16" I.D.*		33	713-0186		#420 Chain 1/2" Pitch x 48 Links	
11	736-0231		Fl-Wash. .344" I.D. x 1.125" O.D.		34	748-0855		Flange Bearing .625" I.D.	
12	710-0599		Hex Wash. Hd. Self-Tap Scr. 1/4-20 x .50" Lg.		35	713-0187		#50 Chain 5/8" Pitch x 28 Links	
14	712-0267		Hex Nut 5/16-18 Thd.*		36	738-0320		Sprocket Shaft	
15	710-0644		Hex Bolt 3/8-16 x 3.25" Lg.*		37	713-0182		Sprocket Bearing Sleeve Ass'y.	
16	731-0374		Flange Bearing (Plastic)		38	713-0181		Sprocket Sleeve Ass'y.	
19	736-0163		Flat Thrust Wash.		39	738-0308		Sprocket Shaft	
20	750-0314		Step Spacer		40	715-0114		Spring Pin Spiral 1/4" Dia. x 1.50" Lg.	
21	15273		Tine Shaft Ass'y.		41	714-0133		Square Key 3/16 x 3/16 x 1.50" Lg.*	
22	710-0599		Hex Wash. Hd. Self-Tap Scr. 1/4-20 x .50" Lg.						
23	721-0175		Seal Ring						

# Model 385

Chain Case Assembly 04699



**NOTE: Use 14 ounces of  
Plastilube #0.  
Order Part No. 737-0133**

## PARTS LIST FOR CHAIN CASE 04699 (MODEL 385 TILLER)

REF. NO.	PART NO.	COLOR CODE	DESCRIPTION	NEW PART NO.	REF. NO.	PART NO.	COLOR CODE	DESCRIPTION	NEW PART
1	750-0315		Spacer .657 I.D. x .78 O.D. x 2.19		23	721-0133		Gasket for Bearing Hsg. Bearing Housing Ass'y.	
2	738-0182		Jack Shaft		24	741-0198		Bearing Housing Ass'y.	
3	721-0132		Gasket for Housing		25	712-0798		Hex Nut 3/8-16 Thd.*	
4	06926		Housing Half—L.H.		26	736-0169		L-Wash. 3/8" Scr.*	
5	741-0155		Ball Bearing .625 I.D. x 1.375 O.D.		27	710-0322		Hex Sems Bolt 5/16-18 x 1.00" Lg.*	
6	05034		Bearing Housing		28	710-0538		Hex Bolt 5/16-18 x .62" Lg. Special	
7	750-0229		Spacer .625 I.D. x .88 O.D. x 1.035		29	06923		Housing Half—R.H.	
8	756-0262		Chain Case Pulley 6.00" Dia.		30	748-0229		Hex Flanged Bearing .630 I.D.	
9	710-0643		Hex Bolt 5/16-18 x 1.00" Lg. Special		31	713-0206		Sprocket 10 Teeth x .500 Pitch	
10	736-0119		L-Wash. 5/16" Scr.*		32	713-0131		#41 Chain 1/2" Pitch x 34 Links—Endless	
11	736-0231		FI-Wash. 5/16 I.D. x 1.125 O.D. x .125		33	713-0186		#420 Chain 1/2" Pitch x 48 Links—Endless	
12	710-0599		Hex Self-Tap Scr. 1/4-20 x .50" Lg.		34	748-0855		Flange Bearing .626 I.D.	
14	712-0267		Hex Nut 5/16-18 Thd.*		35	713-0187		#50 Chain 5/8" Pitch x 28 Links—Endless	
15	710-0644		Hex Bolt 3/8-16 x 3.25" Lg.		36	738-0320		Sprocket Shaft	
16	721-0102		Oil Seal 1" I.D. x 1.357 O.D.		37	713-0182		Sprocket Bearing Sleeve Ass'y.	
19	736-0259		FI-Wash. 1.0" I.D. x 1.62 O.D. x .090		38	713-0181		Sprocket Sleeve Ass'y.	
20	750-0314		Spacer 1.0" I.D. x 2.0" O.D. x .68		39	738-0308		Sprocket Shaft	
21	06800		Tine Shaft Ass'y.		40	715-0114		Spring Pin Spiral 1/4" Dia. x 1.5" Lg.	
22	710-0599		Hex Self-Tap Scr. 1/4-20 x .50" Lg.*		41	714-0133		Sq. Key 3/16 x 1.50" Lg.	

## Heavy Duty Garden Tiller Attachments Available for All-Season Use

- |         |  |         |  |
|---------|--|---------|--|
| 31-0106 | Depth Gauge Wheels (Pair)  | 31-0123 | Lawn Aerator (Use with 31-0114 Wheel Weights for added penetration)  |
| 31-0107 | 6-Tine Cultivator (Must be used with 31-0106 Depth Gauge Wheels) | 31-0144 | "V"-Bar Cultivating Kit<br>Kit Includes: "V"-Bar Frame, 4-Point Cultivating Tines, Hiller/Furrower, Depth Gauge Wheels (Pair). |
| 31-0110 | 8" Furrower Opener   | 31-0145 | Depth Stake Cultivating Kit<br>Kit Includes: 8" Furrower Opener, 15" Sweep Cultivator, 32" Leveling Rake, Extra Depth Stake.   |
| 31-0111 | 15" Sweep Cultivator   |         |  |
| 31-0113 | Pneumatic Tires, 13 x 5.00-6 (Pair)                              |         |  |
| 31-0114 | Wheel Weights (Pair)   |         |  |
| 31-0115 | Tire Chains, 13 x 5.00 (2 Link) (Pair)                           |         |  |
| 31-0116 | 32" Leveling/Snow Blade (385 Only)                               |         |  |
| 31-0119 | Tine Cultivating Shields w/Adapters (Pair)                       |         |  |

Note: Attachments are available through your local dealer or from the factory:  
Agri-Fab Inc., 303 W. Raymond Street, Sullivan, Illinois 61951 (217) 728-4334

# PARTS INFORMATION

## POWER EQUIPMENT PARTS AND SERVICE

Parts and service are available through the authorized service firms listed below. All orders should specify the model number of your unit, part numbers, description of parts and the quantity of each part required.

**NOTE:** If any parts are found to be missing or defective upon assembly of this unit, write to advise the factory so that immediate replacement can be made.

<b>ALABAMA</b> Auto Electric & Carburetor Co. . . . . 2625 4th Ave. S. . . . . 35233	<b>BIRMINGHAM</b> 2625 4th Ave. S. . . . . 35233	<b>NORTH CAROLINA</b> Smith Hardware Co. . . . . 515 N. George St. . . . . 27530	<b>GOLDSBORO</b> 515 N. George St. . . . . 27530
<b>ARKANSAS</b> Sutton's Lawn Mower Shop . . . . . 5301 Roundtop Drive Box 368, Rt. 4 . . . . . 2117	<b>NORTH LITTLE ROCK</b> 5301 Roundtop Drive Box 368, Rt. 4 . . . . . 2117	<b>DIXIE SALES COMPANY</b> Dixie Sales Company . . . . . 335 N. Green . . . . . 27402	<b>GREENSBORO</b> 335 N. Green . . . . . 27402
<b>CALIFORNIA</b> Billious . . . . . 75 North D Street . . . . . 93257	<b>PORTERVILLE</b> 75 North D Street . . . . . 93257	<b>OHIO</b> Stebe's Mid-State Mower Supply . . . . . Box 366, 71 High St. . . . . 43112	<b>CARROLL</b> Box 366, 71 High St. . . . . 43112
<b>COLORADO</b> Spitzer Industrial Products Co. . . . . 6601 N. Washington St. . . . . 80229	<b>DENVER</b> 6601 N. Washington St. . . . . 80229	<b>BLECKRIE, INC.</b> Bleckrie, Inc. . . . . 7900 Lorain Ave. . . . . 44102	<b>CLEVELAND</b> 7900 Lorain Ave. . . . . 44102
<b>FLORIDA</b> Radco Distributors . . . . . 4909 Victor St. Box 5459 . . . . . 32207	<b>JACKSONVILLE</b> 4909 Victor St. Box 5459 . . . . . 32207	<b>NATIONAL CENTRAL</b> National Central . . . . . 687 Seville Rd. . . . . 44281	<b>WADSWORTH</b> 687 Seville Rd. . . . . 44281
<b>GEORGIA</b> Small Eng. Dist. . . . . 2351 N.W. 147th St. . . . . 33054	<b>OPA LOCKA</b> 2351 N.W. 147th St. . . . . 33054	<b>BURTON SUPPLY CO.</b> Burton Supply Co. . . . . Box 929 . . . . . 44501	<b>YOUNGSTOWN</b> 1301 Logan Ave. Box 929 . . . . . 44501
<b>ILLINOIS</b> East Point Cycle & Key . . . . . 2834 Church St. . . . . 30344	<b>EAST POINT</b> 2834 Church St. . . . . 30344	<b>OKLAHOMA</b> Victory Motors, Inc. . . . . 605 S. Cherokee . . . . . 74401	<b>MUSKOGEE</b> 605 S. Cherokee . . . . . 74401
<b>INDIANA</b> Keen Edge Co. . . . . 8615 Ogden Ave. . . . . 60534	<b>LYONS</b> 8615 Ogden Ave. . . . . 60534	<b>OREGON</b> Kenton Supply Co. . . . . 8216 N. Denver Ave. . . . . 97217	<b>PORTLAND</b> 8216 N. Denver Ave. . . . . 97217
<b>IOWA</b> Parts & Sales Inc. . . . . 2101 Industrial Pkwy. . . . . 43516	<b>ELKHART</b> 2101 Industrial Pkwy. . . . . 43516	<b>PENNSYLVANIA</b> EECO Inc. . . . . 4021 N. 6th St. . . . . 17110	<b>HARRISBURG</b> 4021 N. 6th St. . . . . 17110
<b>LOUISIANA</b> Power Lawn & Garden Equip. . . . . 2551 J.F. Kennedy . . . . . 52001	<b>DUBUQUE</b> 2551 J.F. Kennedy . . . . . 52001	<b>THOMPSON RUBBER CO.</b> Thompson Rubber Co. . . . . 5222-24 N. Fifth St. . . . . 19120	<b>PHILADELPHIA</b> 5222-24 N. Fifth St. . . . . 19120
<b>MARYLAND</b> Suhren Engine Co. . . . . 8330 Earhart Blvd. . . . . 70118	<b>NEW ORLEANS</b> 8330 Earhart Blvd. . . . . 70118	<b>BLUEMONT CO.</b> Bluemont Co. . . . . 11125 Frankstown Rd. . . . . 15235	<b>PITTSBURGH</b> 11125 Frankstown Rd. . . . . 15235
<b>MASSACHUSETTS</b> Morton B. Collins Co. . . . . 6867 New Hampshire Ave. . . . . 20912	<b>TAKOMA PARK</b> 6867 New Hampshire Ave. . . . . 20912	<b>FRANK ROBERTS &amp; SONS</b> Frank Roberts & Sons . . . . . R.D. 2 . . . . . 15767	<b>PUNXSUTAWNEY</b> R.D. 2 . . . . . 15767
<b>MICHIGAN</b> Lorenz Service Co. . . . . 300 Birnie Ave. . . . . 01107	<b>SPRINGFIELD</b> 300 Birnie Ave. . . . . 01107	<b>SCRANTON AUTO IGNITION CO.</b> Scranton Auto Ignition Co. . . . . 1133-35 Wyoming Ave. . . . . 18509	<b>SCRANTON</b> 1133-35 Wyoming Ave. . . . . 18509
<b>MINNESOTA</b> Hance Distributing Inc. . . . . 2500 S. Pennsylvania . . . . . 43910	<b>LANSING</b> 2500 S. Pennsylvania . . . . . 43910	<b>TENNESSEE</b> Master Repair Service . . . . . 2000 Western Ave. . . . . 37921	<b>KNOXVILLE</b> 2000 Western Ave. . . . . 37921
<b>MISSISSIPPI</b> Biloxi Sales & Service, Inc. . . . . 506 Caillavet St. . . . . 39533	<b>BILOXI</b> 506 Caillavet St. . . . . 39533	<b>AMERICAN SALES &amp; SERVICE, INC.</b> American Sales & Service, Inc. . . . . 3035-43 Bellbrook . . . . . 38116	<b>MEMPHIS</b> 3035-43 Bellbrook . . . . . 38116
<b>MISSOURI</b> Automotive Equip. Service . . . . . 3117 Holmes St. . . . . 64109	<b>KANSAS CITY</b> 3117 Holmes St. . . . . 64109	<b>TEXAS</b> Marr Brothers, Inc. . . . . 423 E. Jefferson . . . . . 75203	<b>DALLAS</b> 423 E. Jefferson . . . . . 75203
<b>NEW JERSEY</b> Henzler, Inc. . . . . 2015 Lemay Ferry Rd. . . . . 63125	<b>ST. JOSEPH</b> 8th and Monterey . . . . . 64503	<b>WOODSON SALES CORP.</b> Woodson Sales Corp. . . . . 1702 N. Sylvania . . . . . 76111	<b>FORT WORTH</b> 1702 N. Sylvania . . . . . 76111
<b>NEW MEXICO</b> Spitzer Eng. & Parts . . . . . 1023 Third Ave. N.W. . . . . 87103	<b>ST. LOUIS</b> 8th and Monterey . . . . . 64503	<b>BULLARD SUPPLY CO.</b> Bullard Supply Co. . . . . 2409 Commerce St. . . . . 77003	<b>HOUSTON</b> 2409 Commerce St. . . . . 77003
<b>NEW YORK</b> Gamble Dist., Inc. . . . . West End Ave. . . . . 13319	<b>CARTHAGE</b> West End Ave. . . . . 13319	<b>ENGINE HOUSE INC.</b> Engine House Inc. . . . . 8610 Botts Lane P.O. Box 17867 . . . . . 78217	<b>SAN ANTONIO</b> 8610 Botts Lane P.O. Box 17867 . . . . . 78217
		<b>UTAH</b> A-1 Engine & Mower Co. . . . . 439 E. 900 So. . . . . 84111	<b>SALT LAKE CITY</b> 439 E. 900 So. . . . . 84111
		<b>VIRGINIA</b> RBI Corp. . . . . 101 Cedar Ridge Dr. . . . . 23005	<b>ASHLAND</b> 101 Cedar Ridge Dr. . . . . 23005
		<b>WASHINGTON</b> Bailey's Inc. . . . . 1414 14th Ave. . . . . 98122	<b>SEATTLE</b> 1414 14th Ave. . . . . 98122
		<b>WISCONSIN</b> Automotive Supply Co. . . . . 123 S. Linwood Ave. P.O. Box 798 . . . . . 54911	<b>APPLETON</b> 123 S. Linwood Ave. P.O. Box 798 . . . . . 54911
		<b>HORST DIST.</b> Horst Dist. . . . . 444 N. Madison . . . . . 53014	<b>CHILTON</b> 444 N. Madison . . . . . 53014

## WARRANTY PARTS AND SERVICE POLICY

(0783)

The purpose of warranty is to protect the customer from defects in workmanship and materials, defects which are NOT detected at the time of manufacture. It does not provide for the unlimited and unrestricted replacement of parts. Use and maintenance are the responsibility of the customer. The manufacturer cannot assume responsibility for conditions over which it has no control. Simply put, if it's the manufacturer's fault, it's the manufacturer's responsibility; if it's the customer's fault, it's the customer's responsibility.

### CLAIMS AGAINST THE MANUFACTURER'S WARRANTY INCLUDES:

1. Replacement of Missing Parts on new equipment.
2. Replacement of Defective Parts within the warranty period.
3. Repair of Defects within the warranty period.

All claims MUST be substantiated with the following information:

1. Model Number of unit involved.
2. Date unit was purchased or first put into service.
3. Date of failure.
4. Nature of failure.

MTD PRODUCTS INC • P.O. BOX 36900 • CLEVELAND, OHIO 44136

## Free Manuals Download Website

<http://myh66.com>

<http://usermanuals.us>

<http://www.somanuals.com>

<http://www.4manuals.cc>

<http://www.manual-lib.com>

<http://www.404manual.com>

<http://www.luxmanual.com>

<http://aubethermostatmanual.com>

Golf course search by state

<http://golfingnear.com>

Email search by domain

<http://emailbydomain.com>

Auto manuals search

<http://auto.somanuals.com>

TV manuals search

<http://tv.somanuals.com>