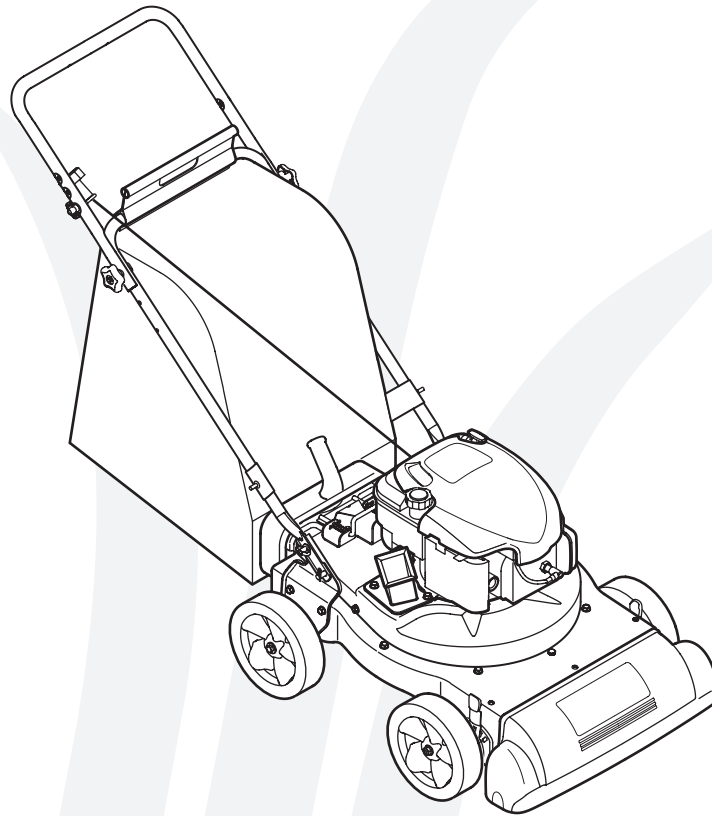


# OPERATOR'S MANUAL



## Chipper Shredder Vacuum - Model Series 020

### IMPORTANT

#### READ SAFETY RULES AND INSTRUCTIONS CAREFULLY BEFORE OPERATION

**Warning:** This unit is equipped with an internal combustion engine and should not be used on or near any unimproved forest-covered, brush-covered or grass-covered land unless the engine's exhaust system is equipped with a spark arrester meeting applicable local or state laws (if any). If a spark arrester is used, it should be maintained in effective working order by the operator. In the State of California the above is required by law (Section 4442 of the California Public Resources Code). Other states may have similar laws. Federal laws apply on federal lands. A spark arrester for the muffler is available through your nearest engine authorized service dealer or contact the service department, P.O. Box 361131 Cleveland, Ohio 44136-0019.

This Operator's Manual is an important part of your new chipper shredder vacuum. It will help you assemble, prepare and maintain the unit for best performance. Please read and understand what it says.

## Table of Contents

Customer Support.....	2	Maintaining Your Chipper Shredder Vacuum .	14
Safety Labels .....	3	Troubleshooting.....	18
Safe Operation Practices .....	4	Parts List .....	20
Setting Up Your Chipper Shredder Vacuum .....	6	Warranty .....	24
Operating Your Chipper Shredder Vacuum ....	10	Español.....	25

## Finding and Recording Model Number

### BEFORE YOU START ASSEMBLING YOUR NEW EQUIPMENT,

please locate the model plate on the equipment and copy the information to the sample model plate provided to the right. You can locate the model plate by standing behind the unit and looking down at the frame below the engine. This information will be necessary to use the manufacturer's web site and/or obtain assistance from the Customer Support Department or an authorized service dealer.

Model Number

Serial Number



MTD LLC  
P.O. BOX 361131  
CLEVELAND, OH 44136  
330-220-4683  
800-800-7310

## Customer Support

Please do **NOT** return the unit to the retailer from which it was purchased, without first contacting Customer Support.


If you have difficulty assembling this product or have any questions regarding the controls, operation, or maintenance of this unit, you can seek help from the experts. Choose from the options below:


1. Visit **mtdproducts.com**. Click on the Customer Service tab.
2. Phone a Customer Support Representative at **1.800.800.7310**. Spanish speaking agents are available.
3. The **engine manufacturer** is responsible for all engine-related issues with regards to performance, power-rating, specifications, warranty and service. Please refer to the engine manufacturer's Owner's/Operator's Manual, packed separately with your unit, for more information.

# Safety Labels Found On Your Chipper Shredder Vacuum

**DANGER**  
**TO AVOID SERIOUS INJURY**

- READ OPERATOR'S MANUAL.
- KEEP HANDS OUT OF INLET AND DISCHARGE OPENINGS WHILE MACHINE IS RUNNING. ROTATING BLADES ARE INSIDE.
- TURN ENGINE OFF AND ALLOW IMPELLER TO COME TO COMPLETE STOP BEFORE REMOVING BAG.
- DO NOT ATTEMPT TO CLEAR A CLOG OR JAM WITH THE ENGINE RUNNING.
- DO NOT OPERATE UNIT WITHOUT BAG OR OPTIONAL BLOWER CHUTE IN PLACE.
- DO NOT STAND OR WALK IN FRONT OF BLOWER CHUTE OR AIM AT BYSTANDERS. OBJECTS THROWN OUT OF DISCHARGE CAN CAUSE PERSONAL INJURY.
- DO NOT OPERATE WHEN CHILDREN OR OTHERS ARE AROUND.
- WEAR APPROVED SAFETY GLASSES.

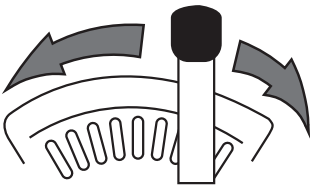


**STOP** **DANGER** 

Keep hands out of inlets while engine is running. Rotating blades are inside.

**FRONT WHEEL / VACUUM NOZZLE HEIGHT ADJUSTER**

**HIGH**  
For use in grass to pick up leaves and debris



**LOW**  
To pick up wet material, pine cones, acorns or material on pavement.

# 1

## Safety Labels



**WARNING**

DO NOT remove safety (or any) labels from chipper shredder vacuum for any reason.

# 2

## Safe Operation Practices



### WARNING

This symbol points out important safety instructions which, if not followed, could endanger the personal safety and/or property of yourself and others. Read and follow all instructions in this manual before attempting to operate this machine. Failure to comply with these instructions may result in personal injury. When you see this symbol.

#### HEED ITS WARNING!

#### Your Responsibility

Restrict the use of this power machine to persons who read, understand and follow the warnings and instructions in this manual and on the machine.



**WARNING:** Engine Exhaust, some of its constituents, and certain vehicle components contain or emit chemicals known to State of California to cause cancer and birth defects or other reproductive harm.

**DANGER:** This machine was built to be operated according to the rules for safe operation in this manual. As with any type of power equipment, carelessness or error on the part of the operator can result in serious injury. This machine is capable of amputating hands and feet and throwing objects. Failure to observe the following safety instructions could result in serious injury or death.

### Training

1. Read, understand, and follow all instructions on the machine and in the manual(s) before attempting to assemble and operate. Keep this manual in a safe place for future and regular reference and for ordering replacement parts.
2. Be familiar with all controls and their proper operation. Know how to stop the machine and disengage them quickly.
3. Never allow children under 16 years old to operate this machine. Children 16 years old and over should read and understand the operation instructions and safety rules in this manual and should be trained and supervised by a parent.
4. Never allow adults to operate this machine without proper instruction.
5. Keep bystanders, helpers, pets, and children at least 75 feet from the machine while it is in operation. Stop machine if anyone enters the area.
6. Never run an engine indoors or in a poorly ventilated area. Engine exhaust contains carbon monoxide, an odorless and deadly gas.
7. Do not put hands and feet near rotating parts or in the feeding chambers and discharge opening. Contact with the rotating impeller can amputate fingers, hands, and feet.
8. Never attempt to unclog either the feed intake or discharge opening, remove or empty vacuum bag, or inspect and repair the machine while the engine is running. Shut the engine off and wait until all moving parts have come to a complete stop. Disconnect the spark plug wire and ground it against the engine.

### Preparation

1. Thoroughly inspect the area where the equipment is to be used. Remove all rocks, bottles, cans, or other foreign objects which could be picked up or thrown and cause personal injury or damage to the machine.
2. Always wear safety glasses or safety goggles during operation or while performing an adjustment or repair, to protect eyes. Thrown objects which ricochet can cause serious injury to the eyes.
3. Wear sturdy, rough-soled work shoes and close-fitting slacks and shirts. Loose fitting clothes or jewelry can be caught in movable parts. Never operate this machine in bare feet or sandals. Wear leather work gloves when feeding material in the chipper chute.
4. Before starting, check all bolts and screws for proper tightness to be sure the machine is in safe working condition. Also, visually inspect machine for any damage at frequent intervals.
5. Maintain or replace safety and instructions labels, as necessary.
6. To avoid personal injury or property damage use extreme care in handling gasoline. Gasoline is extremely flammable and the vapors are explosive. Serious personal injury can occur when gasoline is spilled on yourself or your clothes which can ignite. Wash your skin and change clothes immediately.
  - a. Use only an approved gasoline container.
  - b. Extinguish all cigarettes, cigars, pipes, and other sources of ignition.
  - c. Never fuel machine indoors.
  - d. Never remove gas cap or add fuel while the engine is hot or running.
  - e. Allow engine to cool at least two minutes before refueling.
  - f. Never over fill fuel tank. Fill tank to no more than 1/2 inch below bottom of filler neck to provide space for fuel expansion.
  - g. Replace gasoline cap and tighten securely.
  - h. If gasoline is spilled, wipe it off the engine and equipment. Move machine to another area. Wait 5 minutes before starting the engine.
  - i. Never store the machine or fuel container inside where there is an open flame, spark, or pilot light (e.g. furnace, water heater, space heater, clothes dryer, etc.).
  - j. To reduce a fire hazard, keep machine free of grass, leaves, or other debris build-up. Clean up oil or fuel spillage and remove any fuel soaked debris.
  - k. Allow machine to cool at least 5 minutes before storing.

## Operation

1. Do not put hands and feet near rotating parts or in the feeding chambers and discharge opening. Contact with the rotating impeller can amputate fingers, hands, and feet.
2. Before starting the machine, make sure the chipper chute, feed intake, and cutting chamber are empty and free of all debris.
3. Thoroughly inspect all material to be shredded and remove any metal, rocks, bottles, cans, or other foreign objects which could cause personal injury or damage to the machine.
4. If the impeller strikes a foreign object or if your machine should start making an unusual noise or vibration, immediately shut the engine off. Allow the impeller to come to a complete stop. Disconnect the spark plug wire, ground it against the engine and perform the following steps:
  - a. Inspect for damage.
  - b. Repair or replace any damaged parts.
  - c. Check for any loose parts and tighten to assure continued safe operation.
5. Do not allow an accumulation of processed material to build up in the discharge area. This can prevent proper discharge and result in kickback of material through the feed opening.
6. Do not attempt to shred or chip material larger than specified on the machine or in this manual. Personal injury or machine damage could result.
7. Never attempt to unclog either the feed intake or discharge opening while the engine is running. Shut the engine off, wait until all moving parts have stopped, disconnect the spark plug wire and ground it against the engine before clearing debris.
8. Never operate without vacuum bag and discharge chute properly attached to the machine. Never empty or change vacuum bag while the engine is running. Zippered end of vacuum bag must be kept closed at all times during operation.
9. Never operate without either the inlet nozzle or optional hose attachment properly attached to the machine. Never attempt to attach or change either attachment while the engine is running.
10. Keep all guards, deflectors and safety devices in place and operating properly.
11. Keep your face and body back and to the side of the chipper chute while feeding material into the machine to avoid accidental kickback injuries.
12. Never operate this machine without good visibility or light. Always be sure of your footing and keep a firm hold on the handles.
13. Do not operate this machine on a gravel surface.
14. Do not operate this machine while under the influence of alcohol or drugs.
15. Muffler and engine become hot and can cause a burn. Do not touch.
16. Never pick up or carry machine while the engine is running.

## Maintenance & Storage

1. Never tamper with safety devices. Check their proper operation regularly.
2. Check bolts and screws for proper tightness at frequent intervals to keep the machine in safe working condition. Also, visually inspect machine for any damage and repair, if needed.
3. Before cleaning, repairing, or inspecting, stop the engine and make certain the impeller and all moving parts have stopped. Disconnect the spark plug wire and ground it against the engine to prevent unintended starting.
4. Do not change the engine governor settings or overspeed the engine. The governor controls the maximum safe operating speed of the engine.
5. Maintain or replace safety and instruction labels, as necessary.
6. Follow this manual for safe loading, unloading, transporting, and storage of this machine.
7. Never store the machine or fuel container inside where there is an open flame, spark or pilot light such as a water heater, furnace, clothes dryer, etc.
8. Always refer to the operator's manual for proper instructions on off-season storage.
9. If the fuel tank has to be drained, do this outdoors.
10. Observe proper disposal laws and regulations for gas, oil, etc. to protect the environment.

### Do not modify engine

To avoid serious injury or death, do not modify engine in any way. Tampering with the governor setting can lead to a runaway engine and cause it to operate at unsafe speeds. Never tamper with factory setting of engine governor.

### Notice regarding Emissions

Engines which are certified to comply with California and federal EPA emission regulations for SORE (Small Off Road Equipment) are certified to operate on regular unleaded gasoline, and may include the following emission control systems: Engine Modification (EM) and Three Way Catalyst (TWC) if so equipped.

### Your Responsibility

Restrict the use of this power machine to persons who read, understand and follow the warnings and instructions in this manual and on the machine.

# 2

## Safe Operation Practices



### WARNING

This symbol points out important safety instructions, which if not followed, could endanger the personal safety and/or property of yourself and others. Read and follow all instructions in this manual before attempting to operate this machine. Failure to comply with these instructions may result in personal injury. When you see this symbol.

**HEED IT'S WARNING!**

### Your Responsibility

Restrict the use of this power machine to persons who read, understand and follow the warnings and instructions in this manual and on the machine.

# 3

## Setting Up Your Chipper Shredder Vacuum



### IMPORTANT

This unit is shipped without gasoline or oil in the engine. Be certain to service engine with gasoline and oil as instructed in the separate engine manual before operating your machine.

NOTE: All references in this manual to the left or right side of the chipper shredder vacuum is from the operating position only. Exceptions, if any, will be specified.

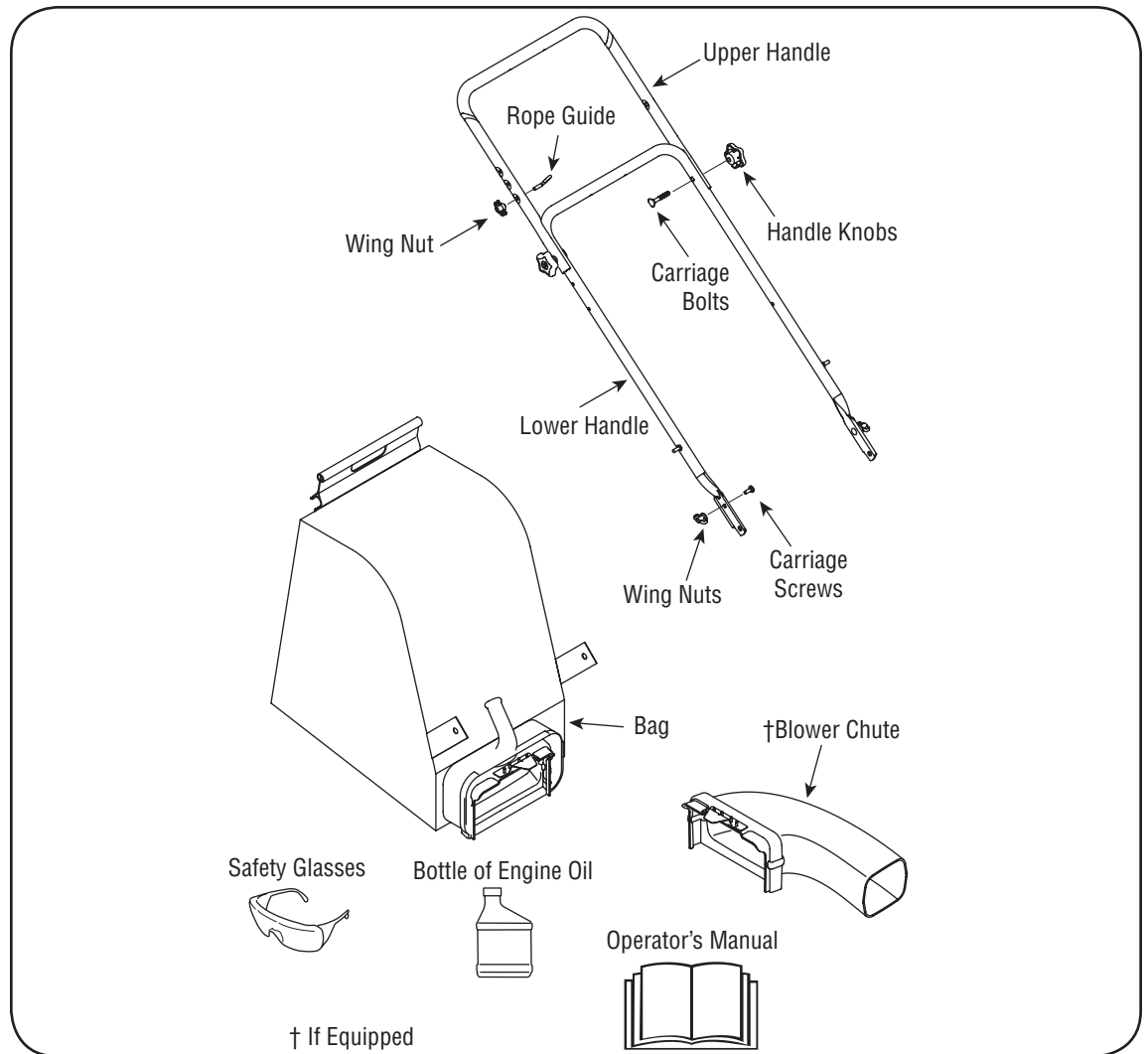


Figure 3-1

**IMPORTANT:** This unit is shipped without gasoline or oil in the engine. Be certain to service engine with gasoline and oil as instructed in the separate engine manual before operating your machine.

NOTE: All references in this manual to the left or right side of the chipper shredder vacuum is from the operating position only. Exceptions, if any, will be specified.

### OPENING CARTON

1. Cut each corner of the carton vertically from top to bottom.
2. Remove all loose parts.
3. Remove loose packing material.

### REMOVING UNIT FROM CARTON

1. Lift unit from the rear to detach it from underlying carton material and roll unit out of carton.
2. Check carton thoroughly for any other loose parts.

**NOTE:** Make sure not to crimp cables while removing loose parts or the entire unit from the carton.

### LOOSE PARTS IN CARTON

(See Figure 3-1)

- Upper and Lower Handle
- Bag
- Blower Chute (Optional)
- Safety Glasses
- Engine Oil (May be located in bag)
- Operator's Manual



## ATTACHING THE HANDLE

1. Remove the hairpin clips from the handle brackets and remove the carriage screws and wing nuts from the lower handle.
  - a. Place the bottom holes in lower handle (notch pointing down) over the pins on the handle brackets and secure with hairpin clips. See Figure 3-2.
  - b. Insert carriage screws through upper hole in lower handle from the inside and secure with wing nuts. See Figure 3-2.
2.
  - a. Unfold the upper handle until it aligns with lower handle. Make sure the rope guide is on the right side of upper handle. See Figure 3-3.

**IMPORTANT:** Make sure the cables are routed outside the lower handle. Also, do not crimp the cables while lifting up the handles.

- b. Secure the two handles by tightening the star knobs (carriage bolts must be seated properly into the handle). See Figure 3-3.
3. Loosen the wing nut that secures the rope guide to the right side of upper handle.
    - a. Pull the starter rope out of the engine slowly. See Figure 3-4.
    - b. Slip the starter rope into the rope guide.
    - c. Tighten the wing nut. See Figure 3-4.

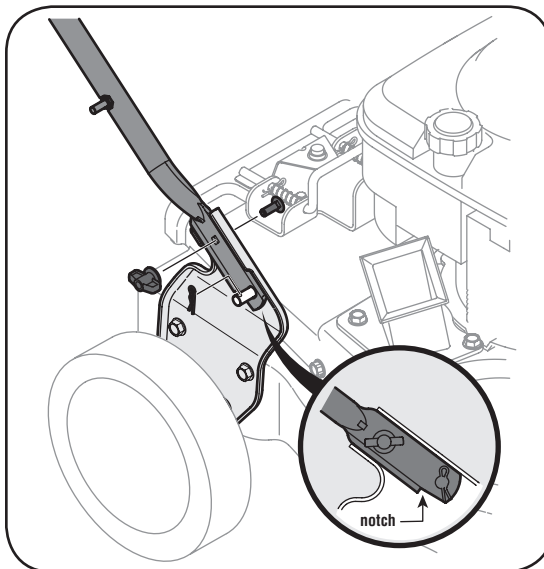


Figure 3-2

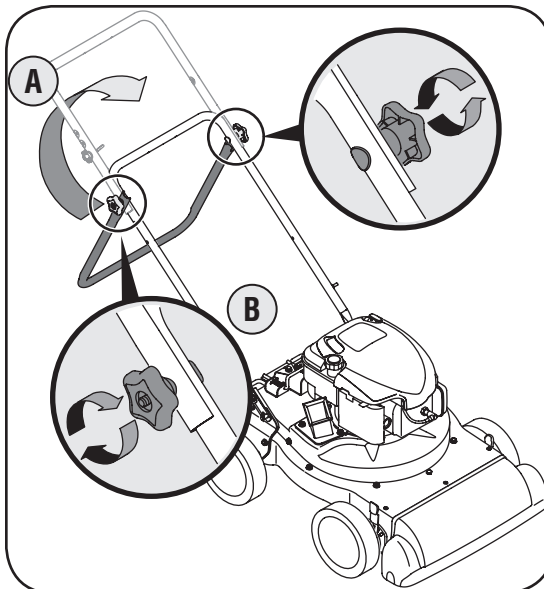


Figure 3-3

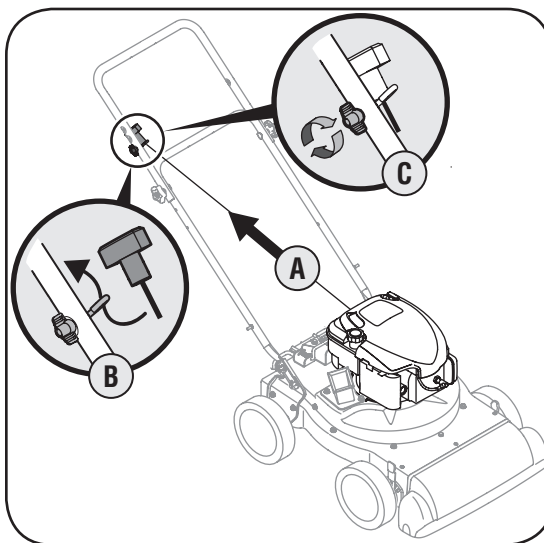


Figure 3-4

# 3

## Setting Up Your Chipper Shredder Vacuum



### IMPORTANT

Make sure the cables are routed outside the lower handle. Also, do not crimp the cables while lifting up the handles.

# 3

## Setting Up Your Chipper Shredder Vacuum



**NOTE:** The bag/chute switch button attached to the mounting bracket must be fully depressed by the tip of front tab on the blower chute or engine will not start.

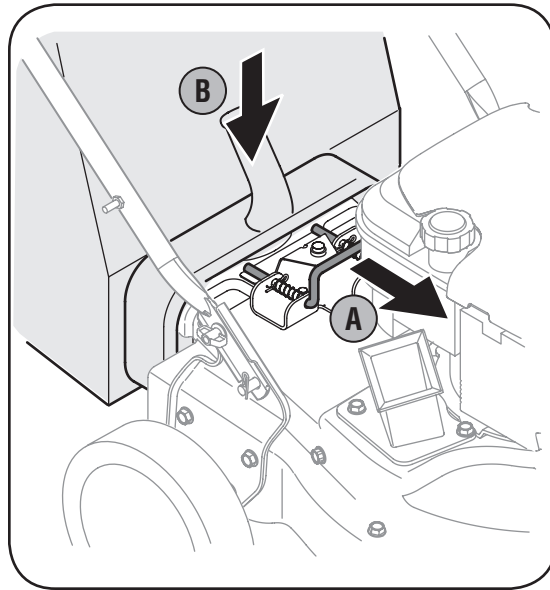


Figure 3-5

### ATTACHING THE BAG

1. Grasp bag handle with one hand and slide locking rod on mounting bracket with other hand toward engine. Use the end of mounting bracket as leverage when sliding the locking rod.
2. Slip bag over the rim of the discharge opening and release locking rod to secure bag in place. See Figure 3-5.
3. Snap bag clip to the top of the lower handle.
4. Place lower straps on the bag over the top of lower handle, hooking them on the studs. See Figure 3-6.

**NOTE:** The bag/chute switch button attached to the mounting bracket must be fully depressed by the tip of front tab on bag handle when securing the bag or engine will not start.

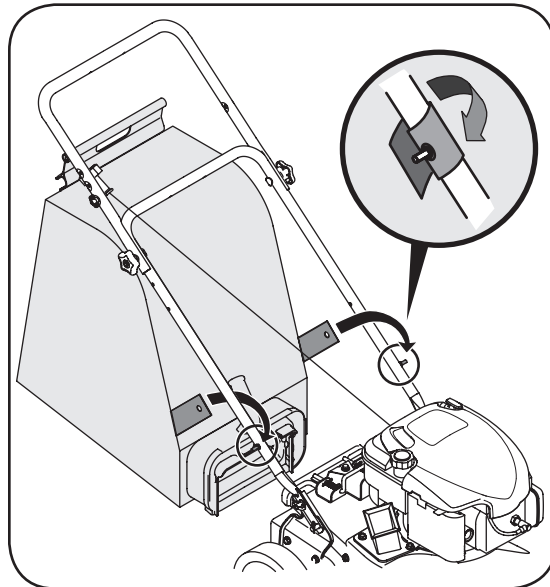


Figure 3-6



## ATTACHING THE BLOWER CHUTE (If Equipped)

### (If Equipped)

**NOTE:** The bag must be removed before installing the blower chute.

1. Grasp blower chute with one hand and slide locking rod on mounting bracket with other hand toward engine. Use the end of mounting bracket as leverage when sliding the locking rod. See Figure 3-7.
2. Slip blower chute over rim of discharge opening and release locking rod to secure chute in place, as in Figure 3-7.
3. Raise the nozzle height to the highest setting when using the blower chute. Refer to nozzle height adjustment in the next section.

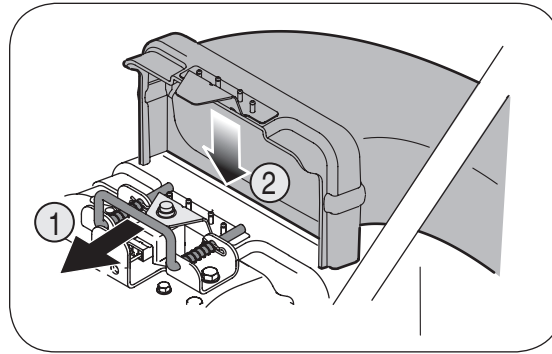


Figure 3-7

**NOTE:** The bag/chute switch button attached to the mounting bracket must be fully depressed by the tip of front tab on the blower chute or engine will not start.

## NOZZLE HEIGHT ADJUSTMENT

The nozzle can be adjusted to any five positions, ranging from 5/8" to 4 1/8" ground clearance. The nozzle height has to be adjusted according to yard conditions.

1. Depress nozzle height adjustment lever towards wheel. See Figure 3-8.
2. Move the height adjustment lever forward or backward to adjust the nozzle upwards or downwards. Make sure both levers are in the same position.
3. Release lever towards deck.

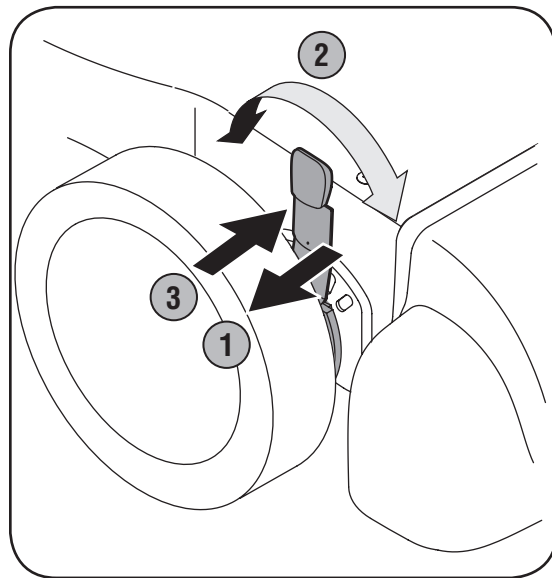


Figure 3-8

**NOTE:** In general, raise the nozzle height to vacuum a thick layer of leaves or to operate with the blower chute. Lower the nozzle height for smoother surfaces.

# 3

## Setting Up Your Chipper Shredder Vacuum



**NOTE:** The bag/chute switch button attached to the mounting bracket must be fully depressed by the tip of front tab on the blower chute or engine will not start.

**NOTE:** In general, raise the nozzle height to vacuum a thick layer of leaves. Lower the nozzle height for smoother surfaces.

# 4

## Operating Your Chipper Shredder Vacuum



### WARNING

The operation of any chipper shredder vacuum can result in foreign objects being thrown into the eyes, which can damage your eyes severely. Always wear the safety glasses provided with this unit or eye shields while operating or while performing any adjustments or repairs.

## Know Your Chipper Shredder Vacuum

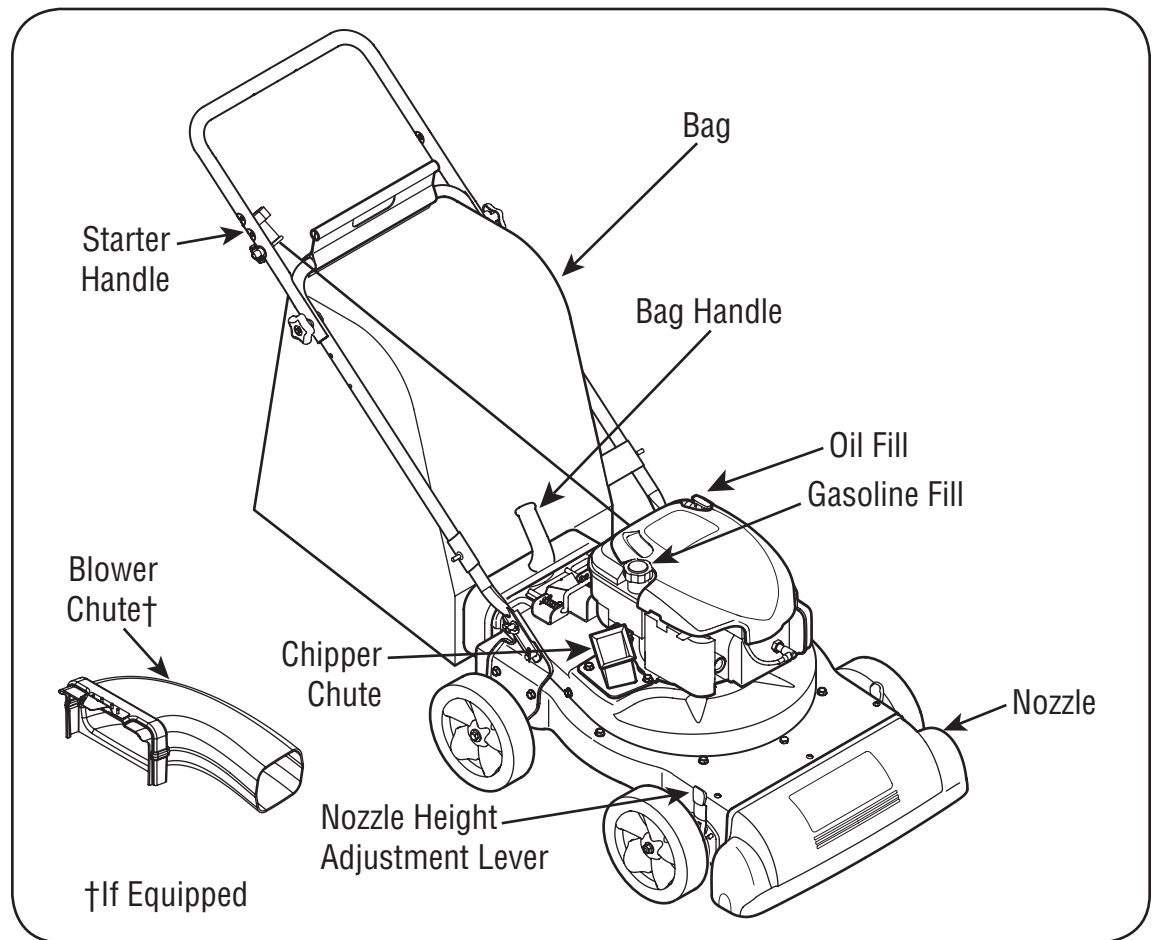


Figure 4-1

Now that you have set up your yard vacuum for operation, get acquainted with its controls and features. These are described below and illustrated on this page. This knowledge will allow you to use your new equipment to its fullest potential.



**WARNING:** The operation of any chipper shredder can result in foreign objects being thrown into the eyes, which can damage your eyes severely. Always wear the safety glasses provided with this unit or eye shields while operating or while performing any adjustments or repairs.

### CHIPPER CHUTE

Allows twigs and small branches up to 1-1/2" in diameter to be fed into the impeller for chipping. See Figure 4-1.

### NOZZLE

Yard waste such as leaves or pine needles can be vacuumed up through the nozzle for shredding.

### BAG

Collects shredded material fed through the chipper chute or vacuumed through the nozzle.

### BLOWER CHUTE (If Equipped)

When attached to unit, the blower chute is used to discharge yard waste such as leaves, pine needle, or small twigs across yard.

### BAG HANDLE

Used to grasp bag in order to assist in attaching, removing, and emptying bag. See Figure 4-1.

### NOZZLE HEIGHT ADJUSTMENT LEVER

Used to adjust the nozzle ground clearance ranging approximately from 5/8" to 4 1/8".

### STARTER HANDLE

The starter handle is attached to the right upper handle. Stand behind unit and pull the starter handle to start engine. See Figure 4-1.

### ENGINE CONTROLS

See the separate engine manual for the location and function of the controls on the engine.



**WARNING:** Use extreme care when handling gasoline. Gasoline is extremely flammable and the vapors are explosive. Never fuel machine indoors or while the engine is hot or running. Extinguish cigarettes, cigars, pipes, and other sources of ignition.

## GAS AND OIL FILL-UP

1. Check oil level and add oil if necessary. Follow engine manual for this. See Figure 4-1 for location of the oil fill.
2. Service the engine with gasoline as instructed in the engine manual. See Figure 4-1 for location of gas fill.



**WARNING:** Never fill fuel tank indoors with engine running or until the engine has been allowed to cool for at least two minutes after running.

## TO START ENGINE

**IMPORTANT:** The bag/chute switch button must be fully depressed by the tip of front tab on bag handle or blower chute for engine to start.

1. Attach spark plug wire and rubber boot to spark plug.
2. Make sure safety switch wire is connected to engine and properly grounded to mounting bracket.
3. **Engines with choke lever:**  
Move choke lever on engine to CHOKE position. (A warm engine may not require choking).
- Engines with primer:**  
Prime engine as instructed in separate engine manual.
4. The throttle control lever is located on the engine. Move engine throttle control lever to FAST or START position. See Figure 4-2.
5. Standing behind the unit, grasp starter handle and pull rope out slowly until engine reaches start of compression cycle (rope will pull slightly harder at this point). See Figure 4-3.
6. Pull rope with a rapid, continuous, full arm stroke. Keep a firm grip on starter handle. Let rope rewind slowly.
7. Repeat the previous steps until engine fires. When engine starts, move choke control (if equipped) gradually to RUN position.

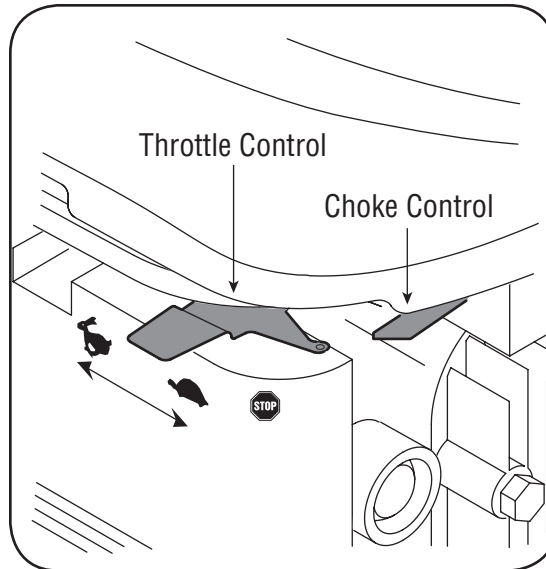


Figure 4-2

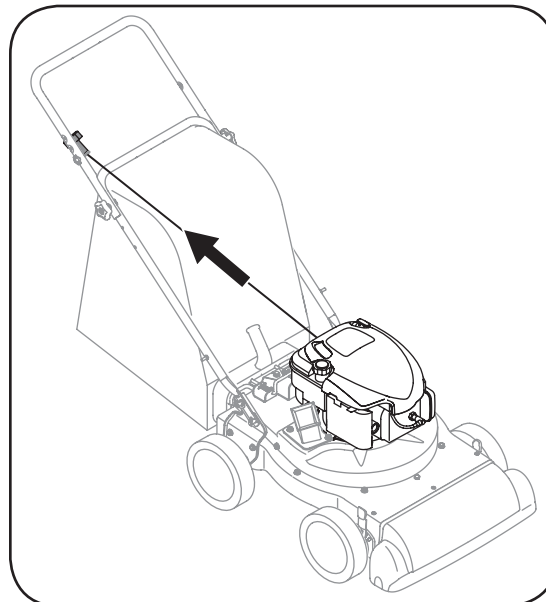


Figure 4-3

8. If engine falters, move choke control back toward the throttle control and repeat steps 5 through 7.
9. ALWAYS keep the throttle control in the START/RUN position when operating the Yard Vacuum.



**WARNING:** Never run the engine indoors or in a poorly ventilated area. Engine exhaust contains carbon monoxide, an odorless and deadly gas.

# 4

## Operating Your Chipper Shredder Vacuum



### WARNING

Use extreme care when handling gasoline. Gasoline is extremely flammable and the vapors are explosive. Never fuel machine indoors or while the engine is hot or running. Extinguish cigarettes, cigars, pipes, and other sources of ignition.

Never fill fuel tank indoors with engine running or until the engine has been allowed to cool for at least two minutes after running.

Never run the engine indoors or in a poorly ventilated area. Engine exhaust contains carbon monoxide, an odorless and deadly gas.

# 4

## Operating Your Chipper Shredder Vacuum



### WARNING

When moving throttle control lever, be careful of heated surfaces and sharp edges on muffler guard.

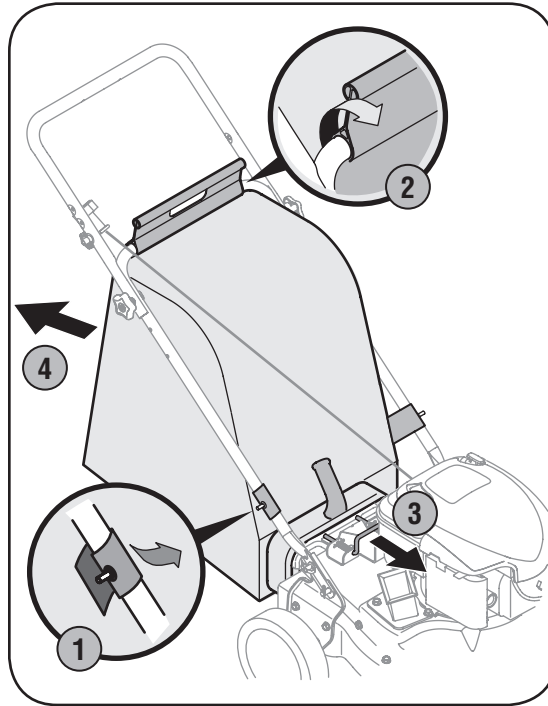


Figure 4-4

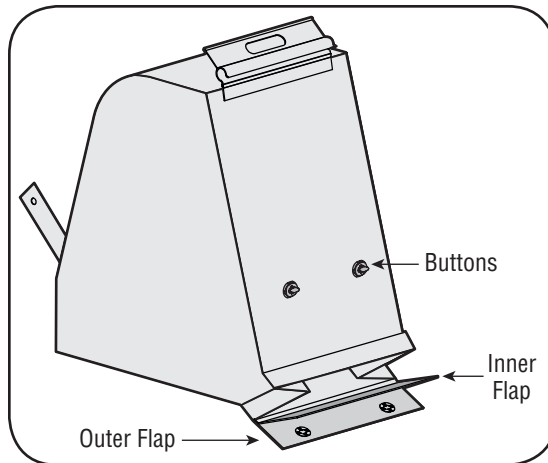


Figure 4-5

### TO STOP ENGINE

1. Move throttle control lever to slow (turtle) position. Whenever possible, gradually reduce engine speed before stopping engine.
2. Move throttle control lever to STOP or OFF position.
3. Disconnect spark plug wire and ground it to the retaining post to prevent accidental starting while the equipment is unattended.



**WARNING:** When moving throttle control lever, be careful of heated surfaces and sharp edges on muffler guard.

### TO EMPTY BAG

1. Unhook bag straps from the lower handle.
2. Unsnap bag clip from the top of lower handle. See Figure 4-4.
3. Grasp bag handle with one hand and pull lock rod on mounting bracket with other hand toward engine to release.
4. Lift bag off back of unit.
5. Twist the two buttons on the back of the bag to unlock and empty contents. See Figure 4-5. Hold bag handle and bag clip while emptying the contents.
6. Compress bag opening and fold inner flap over opening.
7. Fold outer flap over inner flap and insert buttons on the bag through metal outlets. See Figure 4-5.
8. Twist the buttons to lock bag. Place bag back onto unit as instructed in the Assembly Section.

## TO REMOVE BLOWER CHUTE

### (If Equipped)

1. Grasp blower chute with one hand and pull lock rod on mounting bracket with other hand toward engine to release. Refer to Figure 4-6.
2. Remove blower chute from over the rim of the discharge opening.

Place both hands on top of upper handle to push unit over yard waste. Yard waste such as leaves and pine needles can be vacuumed up through the nozzle for shredding. After material has been shredded by the flail blades on the impeller assembly, it will be discharged into catcher bag or through blower chute. Do not attempt to shred or chip any material other than vegetation found in a normal yard (i.e. branches, leaves, twigs, etc.) Avoid fibrous plants such as tomato vines until they are thoroughly dried out. Materials such as stalks or heavy branches up to 1-1/2" in diameter may be fed into the chipper chute.

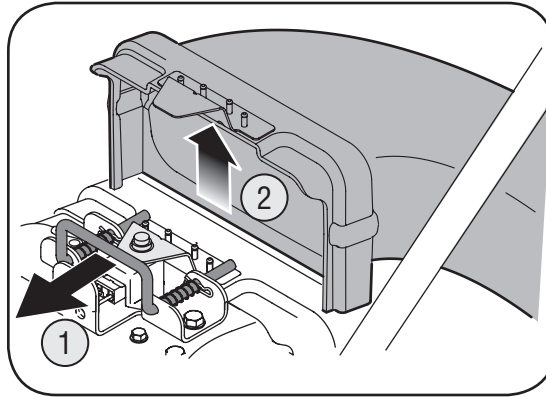


Figure 4-6



**WARNING:** Do not attempt to shred, chip, or vacuum any material larger than specified on the machine or in this manual. Personal injury or damage to the machine could result.

**IMPORTANT:** The flail screen is located inside the housing in the discharge area. If the flail screen becomes clogged, remove and clean as instructed in the Maintenance section. For best performance, it is also important to keep the chipper blade sharp.



**WARNING:** Do not at any time make any adjustments without first stopping engine and disconnecting spark plug wire.

# 4

## Operating Your Chipper Shredder Vacuum



### WARNING

Do not attempt to shred, chip, or vacuum any material larger than specified on the machine or in this manual. Personal injury or damage to the machine could result.

Do not at any time make any adjustments without first stopping engine and disconnecting spark plug wire.

# 5

## Maintaining Your Chipper Shredder Vacuum



### WARNING

Always stop engine, disconnect spark plug, and ground against engine before cleaning, lubricating or doing any kind of maintenance on your machine.



**WARNING:** Always stop engine, disconnect spark plug, and ground against engine before cleaning, lubricating or doing any kind of maintenance on your machine.

### GENERAL RECOMMENDATIONS

- Always observe safety rules when performing any maintenance.
- The warranty on this yard vacuum does not cover items that have been subjected to operator abuse or negligence. To receive full value from warranty, operator must maintain the equipment as instructed here.
- Some adjustments will have to be made periodically to maintain your unit properly.
- Periodically check all fasteners and make sure these are tight.

### LUBRICATION

- **Wheels:** Lubricate each wheel shoulder screw (rear wheel) and pivot arm axle (front wheel) once a season with light oil.
- **Nozzle height adjustment levers:** Lubricate the pivot points of the nozzle height adjustment levers once a season with light oil.
- **Locking Rod:** Lubricate the locking rod with light oil to ease the application of attaching on or removing bag.
- **Engine:** Follow the separate engine manual packed with your unit for lubrication instructions.

### EQUIPMENT CARE

- Clean the Yard Vacuum thoroughly after each use.
- Wash bag periodically with water. Allow to dry thoroughly in shade.
- If the flail screen becomes clogged, remove and clean as instructed below.

**NOTE:** Cleaning with a forceful spray of water is not recommended as it could contaminate the fuel system.

### ENGINE CARE

Refer to the Maintenance section of the Engine Owner/ Operator manual packed with your unit. Read and follow instructions carefully.

- Check **engine oil level** before each use as instructed in the separate engine manual.
- Clean or replace **air cleaner** every 25 hours under normal conditions. Clean every few hours under extremely dusty conditions. To service the air cleaner, refer to the separate engine manual.
- The **spark plug** should be cleaned and the gap reset once a season. Refer to the separate engine manual for correct plug type and gap specifications.
- Clean engine regularly with a cloth or brush. Keep area around engine clean to permit proper air circulation. Remove all grass, dirt and combustible debris from muffler area.





**WARNING:** Before performing any type of maintenance on the machine, wait for all parts to stop moving and disconnect the spark plug wire. Failure to follow this instruction could result in personal injury or property damage.

## REMOVING THE FLAIL SCREEN

If the discharge area becomes clogged, remove the flail screen and clean area as follows:

1. Stop the engine. Make certain the chipper/shredder vacuum has come to a complete stop.
2. Before unclogging the discharge chute, **disconnect and ground the spark plug wire to retaining post.**
3. Remove the vacuum bag or blower chute (if equipped) from the unit as instructed in the OPERATION section to obtain access to flail screen.
4. Remove self tapping screw on right side of unit that attaches to the flail screen. See Figure 5-1.
5. Remove hex screw on top of rear housing near mounting bracket and the flange lock nut that secures flail screen. See Figure 5-1.
6. Remove and clean the screen by scraping or washing with water. See Figure 5-2.
7. Reinstall the screen.

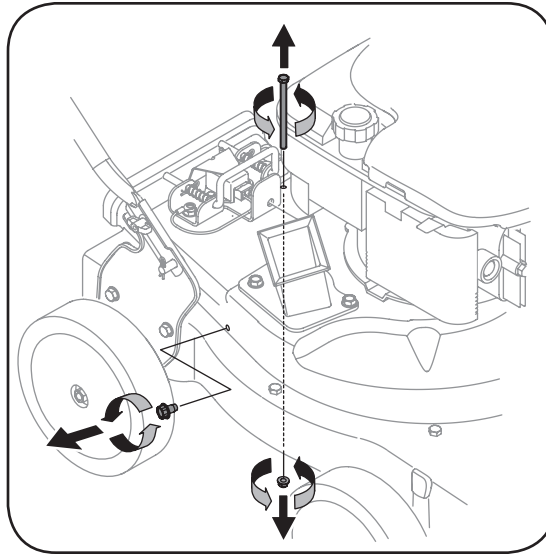


Figure 5-1

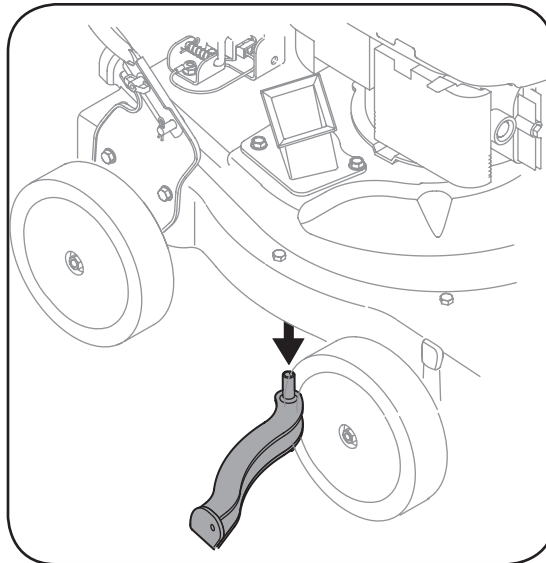


Figure 5-2

# 5

## Maintaining Your Chipper Shredder Vacuum



## WARNING

Before performing any type of maintenance on the machine, wait for all parts to stop moving and disconnect the spark plug wire. Failure to follow this instruction could result in personal injury or property damage.

# 5

## Maintaining Your Chipper Shredder Vacuum

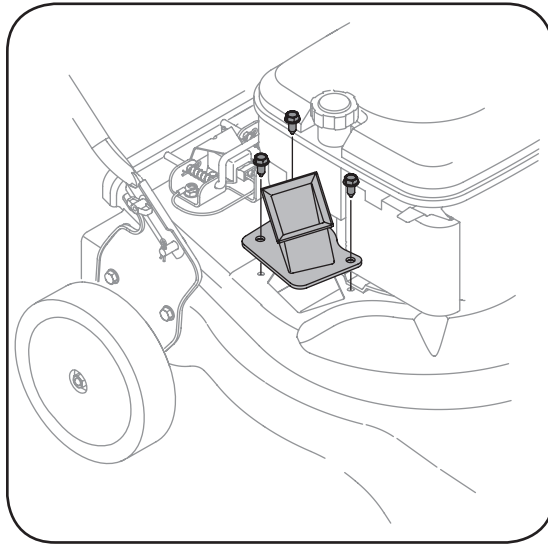


Figure 5-3

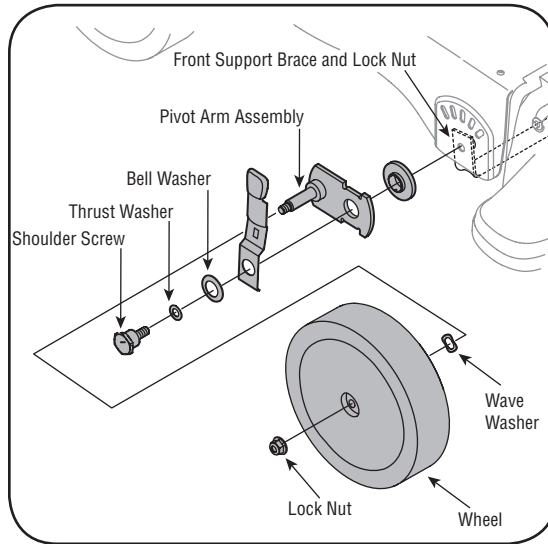


Figure 5-4

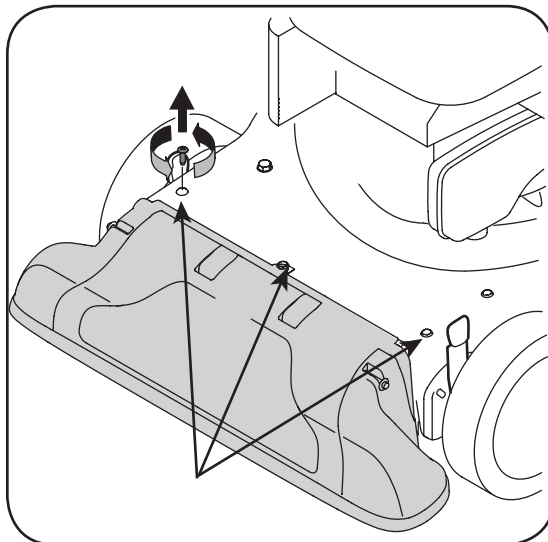


Figure 5-5

### SHARPENING OR REPLACING CHIPPER BLADE

**NOTE:** When tipping the unit, empty the oil and fuel tank and keep engine spark plug side up.

1. **Disconnect and ground the spark plug wire to retaining post.**
2. Remove bag assembly or blower chute (if equipped).
3. Remove the three hex cap screws holding the chipper chute to the upper housing. See Figure 5-3.
4. Remove the flange lock nuts, front wheels, and wave washers that attach to the pivot arm assemblies. See Figure 5-4.
5. Remove the shoulder screws, thrust washers, and bell washers that go through the pivot arms to the front support brace. The front support brace and lock nut can be removed at this time as well.
6. Remove the three screws on the upper housing that secure the nozzle cover. See Figure 5-5.

# 5

## Maintaining Your Chipper Shredder Vacuum

- Carefully tilt and support the unit up to provide access underneath to the nozzle mounting hardware and impeller. Remove the three shoulder bolts securing the black plastic lower flail housing to the lower housing. Refer to Figure 5-6.
- Tilt top of black plastic lower flail housing toward the engine to remove.
- Using a 3/16" allen wrench, remove the flat head cap screws that hold the chipper blade to the impeller. These screws are accessible through the opening created when the chipper chute was removed earlier. See Figure 5-7.
- The nuts on the flat head cap screws can be reached from underneath using a 1/2-inch socket, universal, and extension. See Figure 5-8.
- Replace or sharpen chipper blade. The blade can be sharpened with a file or on a grinding wheel.
- When sharpening blade, protect hands by using gloves and follow the original angle of grind.
- Reassemble by performing the previous steps in the opposite order and manner of removal.

**NOTE:** Tighten blade screws to 210 - 250 in-lbs. Make certain chipper blade is reassembled with the sharp edge facing upward.

### OFF SEASON STORAGE

- When storing the yard vacuum in an unventilated or metal storage shed, care should be taken to rustproof the non-painted surfaces. Using a light oil or silicone, coat the equipment, especially any springs, bearings, and cables.
- Remove all dirt from exterior of engine and equipment.
- Follow lubrication recommendations.
- Refer to engine manual for correct engine storage instructions.
- Store equipment in a clean, dry area. Do not store in an area where equipment is present that may use a pilot light or has a component that can create a spark.

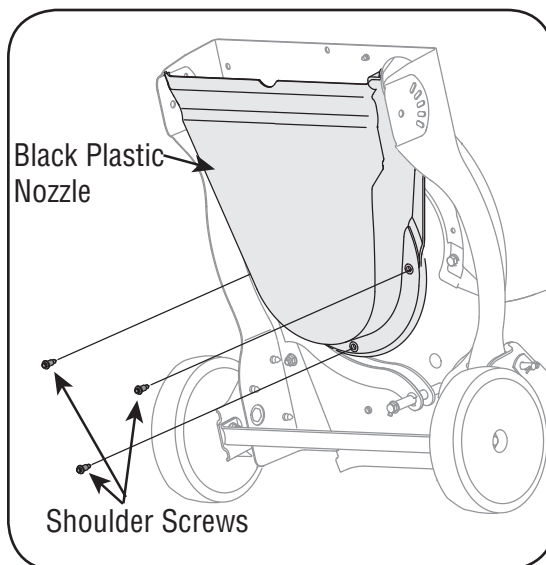


Figure 5-6

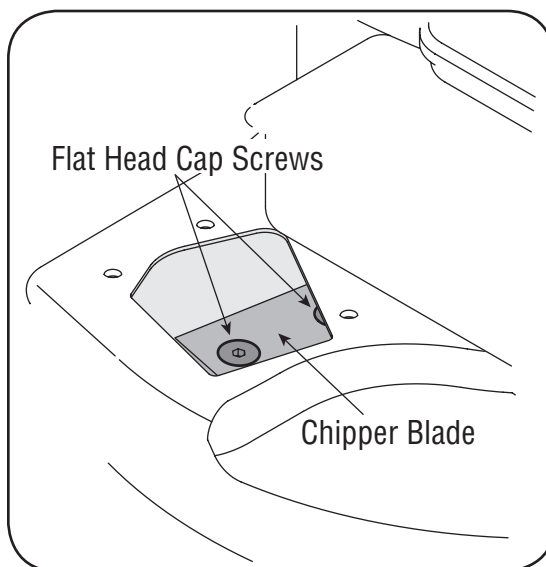


Figure 5-7

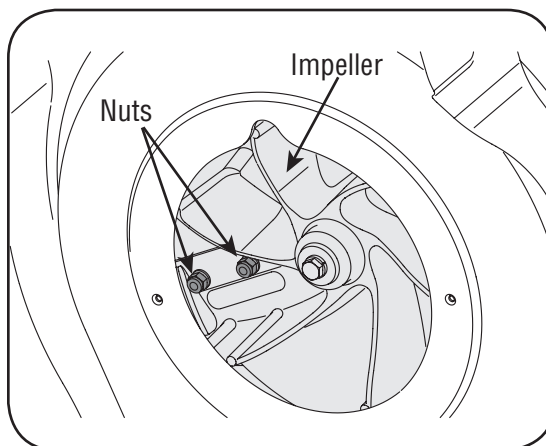


Figure 5-8

# 6

## Trouble Shooting



*For repairs beyond the minor adjustments listed here, contact an authorized service dealer.*

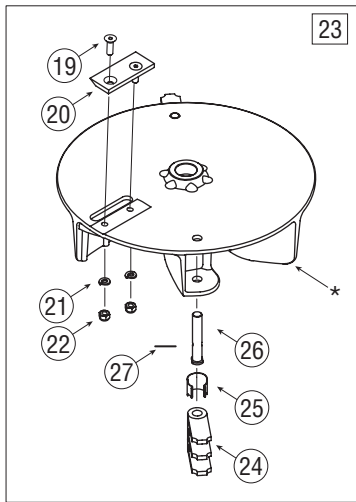
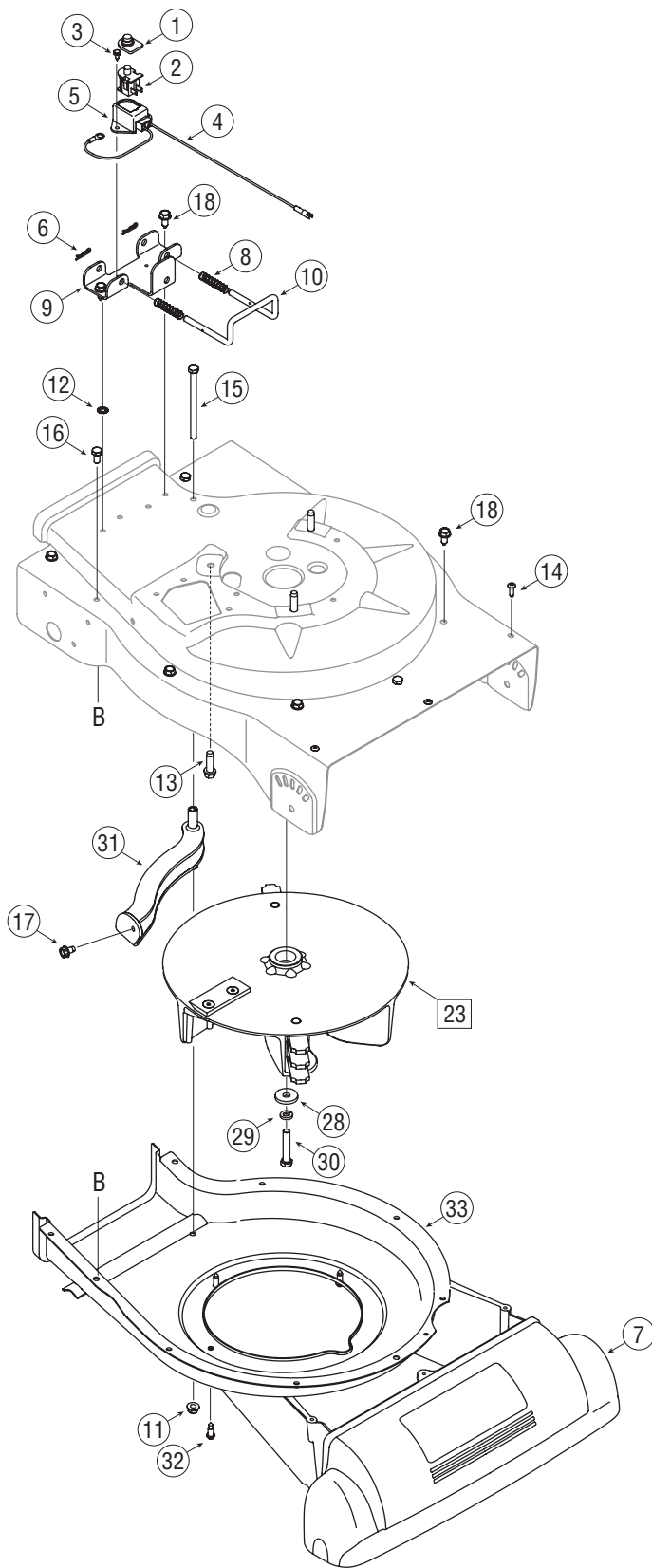
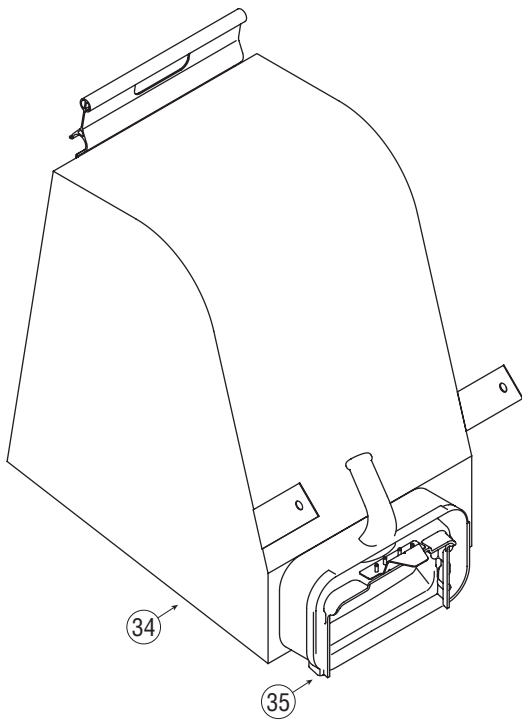
Problem	Cause	Remedy
Engine fails to start	<ol style="list-style-type: none"> <li>1. Throttle lever not in correct starting position.</li> <li>2. Spark plug wire disconnected.</li> <li>3. Choke not in CHOKE position (if equipped).</li> <li>4. Fuel tank empty or stale fuel.</li> <li>5. Engine not primed (if equipped).</li> <li>6. Faulty spark plug.</li> <li>7. Safety switch not depressed.</li> <li>8. Safety switch wire is not connected to engine or not properly grounded.</li> </ol>	<ol style="list-style-type: none"> <li>1. Move throttle lever to FAST or START position.</li> <li>2. Connect wire to spark plug.</li> <li>3. Move choke lever to CHOKE position.</li> <li>4. Fill tank with clean, fresh gasoline.</li> <li>5. Prime engine as instructed in Engine Manual.</li> <li>6. Clean, adjust gap, or replace.</li> <li>7. Safety switch must be depressed by the front tab on the bag handle when securing the bag.</li> <li>8. Connect safety switch wire to engine connector and ground to mounting bracket.</li> </ol>
Engine runs erratic	<ol style="list-style-type: none"> <li>1. Spark plug wire loose.</li> <li>2. Unit running on CHOKE (if equipped).</li> <li>3. Blocked fuel line or stale fuel.</li> <li>4. Low engine RPM.</li> <li>5. Water or dirt in fuel system.</li> <li>6. Dirty air cleaner.</li> <li>7. Carburetor out of adjustment.</li> </ol>	<ol style="list-style-type: none"> <li>1. Connect and tighten spark plug wire.</li> <li>2. Move choke lever to OFF position.</li> <li>3. Clean fuel line; fill tank with clean, fresh gasoline.</li> <li>4. Always run engine at full throttle.</li> <li>5. Drain fuel tank. Refill with fresh fuel.</li> <li>6. Refer to engine manual.</li> <li>7. See authorized service dealer.</li> </ol>
Engine overheats	<ol style="list-style-type: none"> <li>1. Engine oil level low.</li> <li>2. Dirty air cleaner.</li> <li>3. Carburetor not adjusted properly.</li> </ol>	<ol style="list-style-type: none"> <li>1. Fill crankcase with proper oil.</li> <li>2. Refer to engine manual.</li> <li>3. See authorized service dealer.</li> </ol>
Occasional skips (hesitates) at high speed	<ol style="list-style-type: none"> <li>1. Spark plug gap too close.</li> <li>2. Carburetor idle mixture adjustment improperly set.</li> </ol>	<ol style="list-style-type: none"> <li>1. Remove spark plug and adjust gap</li> <li>2. See authorized service dealer.</li> </ol>
Excessive Vibration	<ol style="list-style-type: none"> <li>1. Loose parts or damaged impeller.</li> </ol>	<ol style="list-style-type: none"> <li>1. See authorized service dealer.</li> </ol>
Unit does not discharge	<ol style="list-style-type: none"> <li>1. Discharge area clogged.</li> <li>2. Foreign object lodged in impeller.</li> <li>3. Low engine RPM.</li> <li>4. Vacuum bag is full.</li> </ol>	<ol style="list-style-type: none"> <li>1. Stop engine immediately and disconnect spark plug wire. Clean flail screen and inside of discharge opening.</li> <li>2. Stop engine and disconnect spark plug wire. Remove lodged object.</li> <li>3. Always run engine at full throttle.</li> <li>4. Empty bag.</li> </ol>
Rate of discharge slows considerably or composition of discharged material changes	<ol style="list-style-type: none"> <li>1. Low engine RPM.</li> <li>2. Chipper blade dull.</li> </ol>	<ol style="list-style-type: none"> <li>1. Always run engine at full throttle.</li> <li>2. Replace chipper blade or see your authorized service dealer.</li> </ol>

---

# NOTES

*Use this page to make notes and write down important information.*

# Model Series 020



\* Impeller (719-0530A) cannot be ordered separately. To order the impeller, entire assembly (681-0152) must be purchased.



Ref. No.	Part No.	Description
1	725-1700	Switch Cover
2	725-3166	Safety Switch
3	710-0224	Hex Washer Screw, #10-16 x.50
4	629-0920A	Wire Harness
5	731-1613	Safety Switch Cover
6	714-0104	Cotter Pin
7	731-1905A	Nozzle Cover
8	732-0962	Compression Spring
9	781-0778A	Mounting Bracket
10	747-1153	Lock Rod
11	712-04063	Flange Lock Nut, 5/16-18
12	736-0607	External Lock Washer 5/16
13	710-0502A	Hex Washer Screw 3/8-16 x 1.25
14	710-1220	Screw, #12-16 x .750
15	710-3195	Hex Cap Screw 5/16-18 x 4.5
16	710-3025	Hex Cap Screw 5/16-18 x.625
17	710-0607	Screw, 5/16-18 x.500
18	710-0726	Screw, 5/16-12 x.75

Ref. No.	Part No.	Description
19	710-1054	Hex Screw 5/16-24 x 1.0
20	781-0490	Chipper Blade
21	736-0119	Lock Washer 5/16
22	712-0411	Hex Lock Nut 5/16-24
23	681-0152	Impeller Assembly
24	719-0329	Flail Blade
25	781-0735	Pin Clip
26	711-1401	Clevis Pin
27	715-0166	Spiral Pin
28	736-0247	Flat Washer.375 ID x 1.25 OD
29	736-0217	Lock Washer 3/8
30	710-0818	Hex Cap Screw 3/8-24 x 2.0
31	681-0154	Screen Assembly
32	710-1650	Shoulder Screw, .30 x .46
33	781-0721B	Lower Housing
34	664-0095	Bag Assembly
35	631-0083	Chute Assembly
—	723-0400	Safety Glasses (Not Shown)

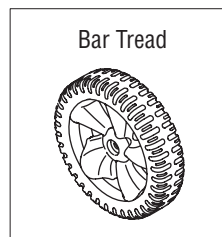
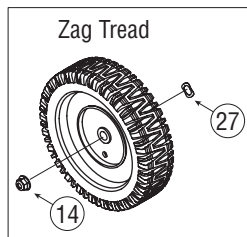
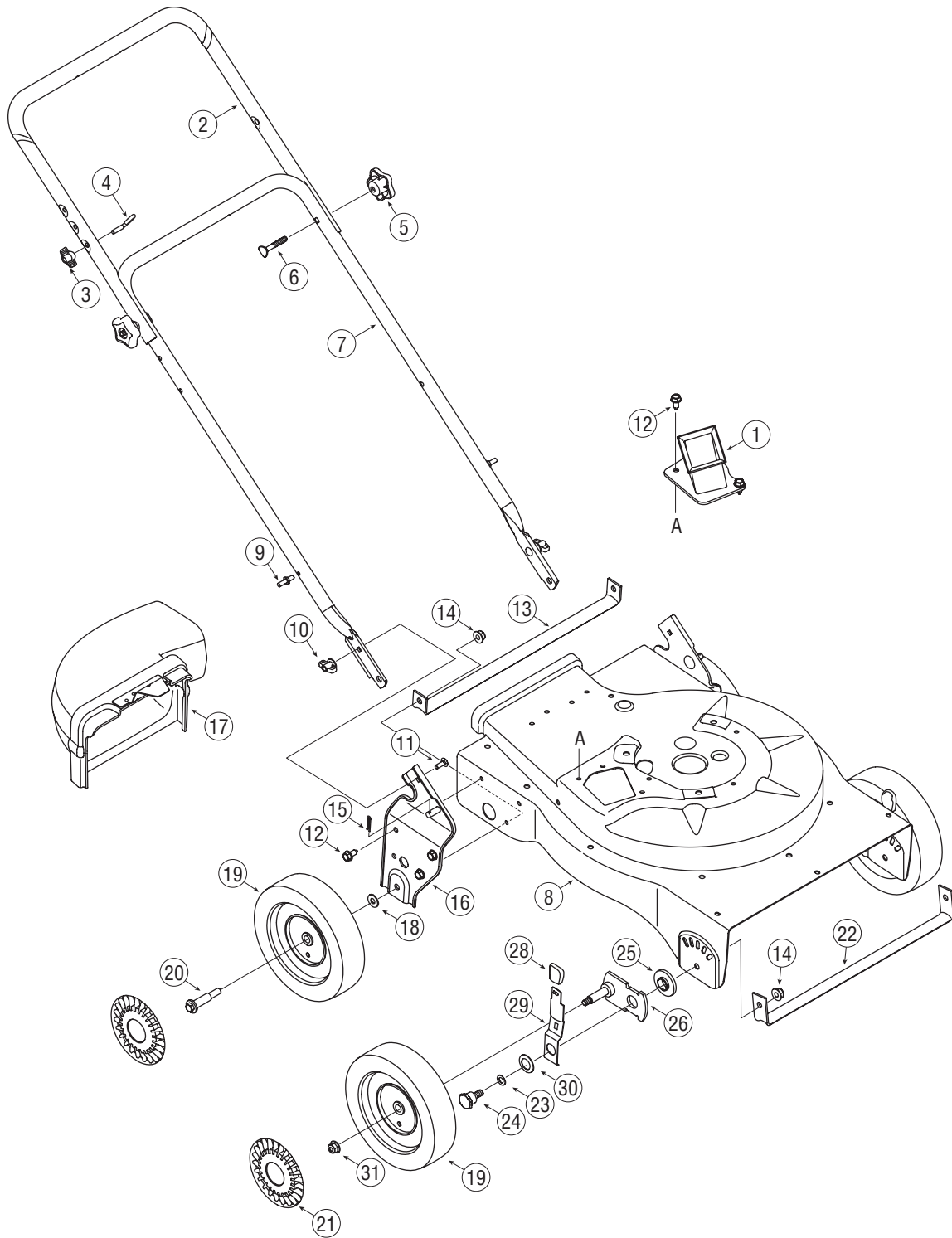
# 7

## Parts List



To order replacement parts, contact  
**1-800-800-7310**  
or visit  
[www.mtdproducts.com](http://www.mtdproducts.com)

# Model Series 020



# 7

## Parts List



To order replacement parts, contact  
**1-800-800-7310**  
 or visit  
[www.mtdproducts.com](http://www.mtdproducts.com)

Ref. No.	Part No.	Description	Ref. No.	Part No.	Description
1	681-0122	Chipper Chute Assembly	17	631-0090†	Blower Chute Assembly
2	749-04172	Upper Handle	18	736-0105	Bell Washer.401 ID x.870 OD
3	720-0279	Knob	19	734-1987	Wheel, 8 x 1.8, Bar
4	710-1205	Eye Bolt		734-2004A	Wheel, 8 x 2.125, Zag
5	720-04072	Star Knob, 5/16-18	20	738-1015	Shoulder Screw 3/8-16
6	710-1174	Carriage Bolt	21	731-0981A†	Hub Cap
7	749-04165	Lower Handle	22	781-04082	Front Wheel Support Brace
8	781-04068	Upper Housing	23	736-0314	Thrust Washer.375 ID x.70 OD
9	711-1293	Studs	24	738-1172	Shoulder Screw, .750 ID x .500
10	712-0397	Wing Nut 1/4-20	25	741-0751	Height Adjustment Bearing
11	710-0703	Carriage Screw 1/4-20 x.75	26	687-02094	Pivot Arm Assembly
12	710-0726	Screw, 5/16-12 x.750	27	736-0232††	Wave Washer, .531 ID x .781 OD
13	781-04081	Rear Wheel Support Brace	28	720-0426	Height Adjustment Knob
14	712-04065	Flange Lock Nut, 3/8-16	29	732-1026	Spring Lever
15	714-0104	Cotter Pin	30	736-0741	Bell Washer.760 ID x.25OD
16	681-0155A	Handle Bracket Assy. LH	31	712-0431	Flange Lock Nut, 3/8-16
	681-0156A	Hndle Brkt Assy. RH (Not Shown)			

† If Equipped

†† Quantity one (1) outside rear wheel and one (1) inside front wheel

# MANUFACTURER'S LIMITED WARRANTY FOR



The limited warranty set forth below is given by MTD LLC with respect to new merchandise purchased and used in the United States and/or its territories and possessions, and by MTD Products Limited with respect to new merchandise purchased and used in Canada and/or its territories and possessions (either entity respectively, "MTD").

"MTD" warrants this product (excluding its *Normal Wear Parts and Attachments* as described below) against defects in material and workmanship for a period of two (2) years commencing on the date of original purchase and will, at its option, repair or replace, free of charge, any part found to be defective in materials or workmanship. This limited warranty shall only apply if this product has been operated and maintained in accordance with the Operator's Manual furnished with the product, and has not been subject to misuse, abuse, commercial use, neglect, accident, improper maintenance, alteration, vandalism, theft, fire, water, or damage because of other peril or natural disaster. Damage resulting from the installation or use of any part, accessory or attachment not approved by MTD for use with the product(s) covered by this manual will void your warranty as to any resulting damage.

*Normal Wear Parts* are warranted to be free from defects in material and workmanship for a period of thirty (30) days from the date of purchase. Normal wear parts include, but are not limited to items such as: batteries, belts, blades, blade adapters, tines, grass bags, wheels, rider deck wheels, seats, snow thrower skid shoes, friction wheels, shave plates, auger spiral rubber and tires.

*Attachments* — MTD warrants attachments for this product against defects in material and workmanship for a period of one (1) year, commencing on the date of the attachment's original purchase or lease. Attachments include, but are not limited to items such as: grass collectors and mulch kits.

**HOW TO OBTAIN SERVICE:** Warranty service is available, WITH PROOF OF PURCHASE, through your local authorized service dealer. To locate the dealer in your area:

## In the U.S.A.

Check your Yellow Pages, or contact MTD LLC at P.O. Box 361131, Cleveland, Ohio 44136-0019, or call 1-800-800-7310, 1-330-220-4683 or log on to our Web site at [www.mtdproducts.com](http://www.mtdproducts.com).

## In Canada

Contact MTD Products Limited, Kitchener, ON N2G 4J1, or call 1-800-668-1238 or log on to our Web site at [www.mtdcanada.com](http://www.mtdcanada.com).

This limited warranty does **not** provide coverage in the following cases:

- The engine or component parts thereof. These items may carry a separate manufacturer's warranty. Refer to applicable manufacturer's warranty for terms and conditions.
- Log splitter pumps, valves, and cylinders have a separate one-year warranty.

- Routine maintenance items such as lubricants, filters, blade sharpening, tune-ups, brake adjustments, clutch adjustments, deck adjustments, and normal deterioration of the exterior finish due to use or exposure.
- Service completed by someone other than an authorized service dealer.
- MTD does not extend any warranty for products sold or exported outside of the United States and/or Canada, and their respective possessions and territories, except those sold through MTD's authorized channels of export distribution.
- Replacement parts that are not genuine MTD parts.
- Transportation charges and service calls.
- MTD does not warrant this product for commercial use.

**No implied warranty, including any implied warranty of merchantability of fitness for a particular purpose, applies after the applicable period of express written warranty above as to the parts as identified. No other express warranty, whether written or oral, except as mentioned above, given by any person or entity, including a dealer or retailer, with respect to any product, shall bind MTD. During the period of the warranty, the exclusive remedy is repair or replacement of the product as set forth above.**

**The provisions as set forth in this warranty provide the sole and exclusive remedy arising from the sale. MTD shall not be liable for incidental or consequential loss or damage including, without limitation, expenses incurred for substitute or replacement lawn care services or for rental expenses to temporarily replace a warranted product.**

Some states do not allow the exclusion or limitation of incidental or consequential damages, or limitations on how long an implied warranty lasts, so the above exclusions or limitations may not apply to you.

In no event shall recovery of any kind be greater than the amount of the purchase price of the product sold. **Alteration of safety features of the product shall void this warranty.** You assume the risk and liability for loss, damage, or injury to you and your property and/or to others and their property arising out of the misuse or inability to use the product.

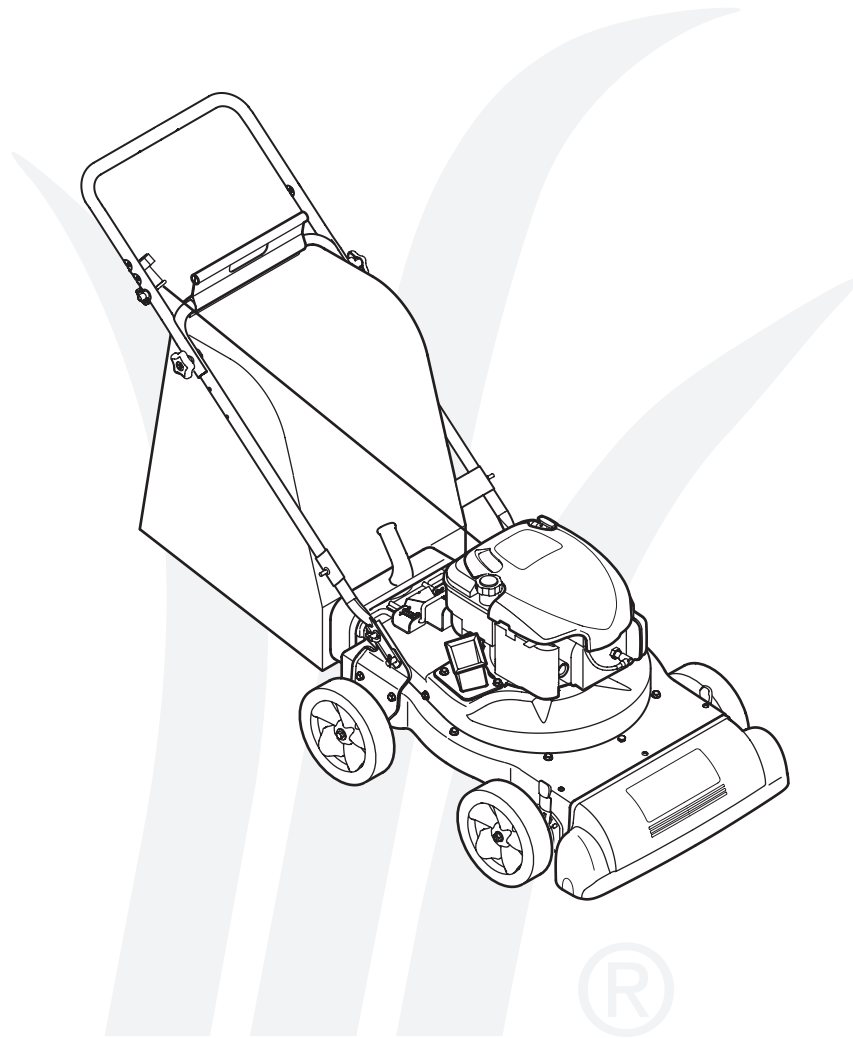
This limited warranty shall not extend to anyone other than the original purchaser or to the person for whom it was purchased as a gift.

**HOW STATE LAW RELATES TO THIS WARRANTY:** This limited warranty gives you specific legal rights, and you may also have other rights which vary from state to state.

**IMPORTANT:** Owner must present Original Proof of Purchase to obtain warranty coverage.

**MTD LLC, P.O. BOX 361131 CLEVELAND, OHIO 44136-0019; Phone: 1-800-800-7310, 1-330-220-4683  
MTD Canada Limited - KITCHENER, ON N2G 4J1; Phone 1-800-668-1238**

# MANUAL DEL OPERADOR



## Aspiradora Para Patios - Modelo Serie 020

---

### **IMPORTANTE** **LEA CON ATENCIÓN LAS REGLAS DE SEGURIDAD E INSTRUCCIONES ANTES** **DE OPERAR LA ASPIRADORA PARA PATIOS**

**ADVERTENCIA:** Esta unidad está equipada con un motor de combustión interna y no debe ser utilizada en o cerca de un terreno agreste cubierto por bosque, malezas o hierba excepto que el sistema de escape del motor esté equipado con un amortiguador de chispas que cumpla con las leyes locales o estatales correspondientes (en caso de existir). Si se utiliza un amortiguador de chispas el operador lo debe mantener en condiciones de uso adecuadas. En el Estado de California las medidas anteriormente mencionadas son exigidas por ley (Artículo 4442 del Código de Recursos Públicos de California). Es posible que existan leyes similares en otros estados. Las leyes federales se aplican en territorios federales. Su distribuidor más cercano autorizado para realizar el mantenimiento del motor puede conseguir el amortiguador de chispas para el silenciador sino usted puede comunicarse con el departamento de servicios al apartado postal P.O. Box 361131 Cleveland, Ohio 44136-0019.

**Este manual de operador es una parte importante de su nueva aspiradora para patios. Le ayudará a montar, preparar y mantener la unidad para obtener los mejores resultados. Por favor lea y comprenda el contenido del manual.**

## Índice

<b>Etiquetas de seguridad.....</b>	<b>27</b>	<b>Mantenimiento de la aspiradora para patios .</b>	<b>38</b>
<b>Prácticas de seguridad en la operación.....</b>	<b>28</b>	<b>Solución de problemas .....</b>	<b>42</b>
<b>Configuración de la aspiradora para patios ..</b>	<b>30</b>	<b>Lista de las piezas .....</b>	<b>20</b>
<b>Funcionamiento de la aspiradora para patios</b>	<b>34</b>	<b>Garantía.....</b>	<b>44</b>

## Búsqueda y registro del número de modelo

ANTES DE COMENZAR A ENSAMBLAR SU NUEVO EQUIPO, por favor localice la placa del modelo en el equipo y copie la información en la placa modelo a la derecha. Para encontrar la placa de modelo colóquese detrás de la unidad en la posición del operador y mire hacia abajo en la parte posterior de la cubierta. La presente información resultará necesaria para el uso del sitio web del fabricante y / o para solicitar ayuda del Departamento de Asistencia al Cliente o de un distribuidor autorizado.

Número de modelo

Número de serie



**MTD LLC**  
**P.O. BOX 361131**  
**CLEVELAND, OH 44136**  
**330-220-4683**  
**800-800-7310**

## Asistencia al Cliente

**Por favor, NO devuelva la unidad al minorista a quien se la adquirió sin contactarse primero con el Departamento de Asistencia al Cliente.**

En caso de tener problemas para ensamblar este producto o de tener dudas con respecto a los controles, funcionamiento o mantenimiento del mismo, puede solicitar la ayuda de los expertos. Elija entre las opciones que se presentan a continuación:


1. Visite [mtdproducts.com](http://mtdproducts.com).
2. Si desea contactarse con un Representante del Departamento de Asistencia al Cliente, por favor comuníquese al 1(800) 800-7310.
3. El fabricante del motor es el responsable de todas las cuestiones relacionadas con el rendimiento, potencia de salida, especificaciones, garantía y mantenimiento del motor. Por favor, para mayor confirmación, consulte el manual del propietario/operador del fabricante del motor que es enviado, en un paquete por separado, junto con su unidad.





# Etiquetas de Seguridad Encontradas En Su Aspiradora Para Patios

**DANGER**  
**TO AVOID SERIOUS INJURY**

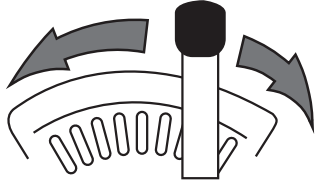
- READ OPERATOR'S MANUAL.
- KEEP HANDS OUT OF INLET AND DISCHARGE OPENINGS WHILE MACHINE IS RUNNING. ROTATING BLADES ARE INSIDE.
- TURN ENGINE OFF AND ALLOW IMPELLER TO COME TO COMPLETE STOP BEFORE REMOVING BAG.
- DO NOT ATTEMPT TO CLEAR A CLOG OR JAM WITH THE ENGINE RUNNING.
- DO NOT OPERATE UNIT WITHOUT BAG OR OPTIONAL BLOWER CHUTE IN PLACE.
- DO NOT STAND OR WALK IN FRONT OF BLOWER CHUTE OR AIM IT AT BYSTANDERS. OBJECTS THROWN OUT OF DISCHARGE CAN CAUSE PERSONAL INJURY.
- DO NOT OPERATE WHEN CHILDREN OR OTHERS ARE AROUND.
- WEAR APPROVED SAFETY GLASSES.



**STOP**  **DANGER**   
**Keep hands out of inlets while engine is running. Rotating blades are inside.**

**FRONT WHEEL / VACUUM NOZZLE HEIGHT ADJUSTER**

**HIGH**  
 For use in grass to pick up leaves and debris



**LOW**  
 To pick up wet material, pine cones, acorns or material on pavement.

# 1

## Etiquetas de seguridad



### ADVERTENCIA:

NO retire las etiquetas de seguridad de la aspiradora para patios.

# 2

## Prácticas de seguridad en la operación



### ADVERTENCIA

Este símbolo indica instrucciones de seguridad importantes que de no seguirse, se podría poner en peligro la seguridad personal y/o la propiedad suya y de terceros. Lea y siga todas las instrucciones en este manual antes de iniciar la operación de esta máquina. En caso de no seguir estas instrucciones podría provocar lesiones personales.

Cuando vea este símbolo

**SIGA LA ADVERTENCIA**

**Su responsabilidad:**

Sólo permita que usen esta máquina eléctrica las personas que lean, comprendan y respeten las advertencias y las instrucciones que aparecen en este manual y en la máquina.



**ADVERTENCIA:** El escape del motor de este producto, algunos de sus componentes y algunos componentes del vehículo contienen o emiten productos químicos que el estado de California considera que pueden producir cáncer, defectos de nacimiento u otros problemas reproductivos.

**PELIGRO:** Esta máquina está diseñada para ser utilizada respetando las reglas de seguridad contenidas en este manual. Al igual que con cualquier tipo de equipo eléctrico, un descuido o error de parte del operador puede producir lesiones graves. Esta máquina es capaz de amputar manos y pies y de arrojar objetos con gran fuerza. De no respetar las instrucciones de seguridad siguientes se pueden producir lesiones graves o la muerte.

## Capacitación

1. Lea, entienda y cumpla todas las instrucciones incluidas en la máquina y en los manuales antes de montarla y utilizarla. Guarde este manual en un lugar seguro para consultas futuras y regulares, así como para solicitar repuestos.
2. Familiarícese con todos los controles y su operación adecuada. Sepa cómo detener la máquina y cómo desengranar los controles rápidamente.
3. No permita nunca que los niños menores de 16 años utilicen esta máquina. Los niños de 16 años y más mayores deben leer y comprender las instrucciones de operación y las reglas de seguridad contenidas en este manual, y también deben ser capacitados y estar supervisados por uno de los padres.
4. Nunca permita que los adultos operen esta máquina sin recibir antes la instrucción apropiada.
5. Mantenga a los transeúntes, ayudantes, mascotas y niños al menos a 75 pies de la máquina mientras está operando. Detenga la máquina si alguien entra en la zona.
6. Nunca encienda un motor en espacios cerrados o en una zona con poca ventilación. El escape del motor contiene monóxido de carbono, un gas inodoro y letal.
7. No ponga las manos o los pies cerca de las piezas rotatorias o en las cámaras de alimentación ni en la abertura de descarga. El contacto con el motor rotatorio puede producir la amputación de dedos, manos o pies.
8. Nunca trate de destapar la toma de alimentación o la abertura de descarga, ni trate de sacar o vaciar la bolsa de la aspiradora, ni de revisar y reparar la máquina mientras el motor está en marcha. Apague el motor y espere hasta que todas las piezas móviles se hayan detenido por completo. Desconecte el cable de la bujía y póngalo de manera que haga masa contra el motor.

## Preparativos

1. Inspeccione minuciosamente el área donde utilizará el equipo. Retire todas las piedras, botellas, latas u otros objetos extraños que puedan ser levantados o arrojados causando lesiones personales o daños a la máquina.
2. Para protegerse los ojos utilice siempre anteojos o antiparras de seguridad mientras opera la máquina o mientras la ajusta o repara. Los objetos arrojados que rebotan pueden lesionar gravemente la vista.
3. Utilice zapatos de trabajo resistentes, de suela fuerte, así como pantalones y camisas ajustados. Las prendas sueltas o las alhajas pueden quedar atrapadas en las piezas móviles. Nunca utilice la máquina descalzo o con sandalias. Utilice guantes de trabajo de cuero cuando alimente material por el canal de la cortadora.
4. Antes de encender la máquina controle que todos los pernos y tornillos estén bien ajustados para comprobar que la máquina se encuentra en condiciones seguras de operación. Además, realice una inspección visual de la máquina a intervalos frecuentes para controlar si la misma está dañada.
5. Mantenga o reemplace las etiquetas de seguridad e instrucciones según sea necesario.
6. Para evitar lesiones personales o daños materiales sea sumamente cuidadoso al manipular la gasolina. La gasolina es altamente inflamable y sus vapores pueden causar explosiones. Se puede lesionar gravemente si derrama gasolina sobre usted o sobre la ropa ya que se puede encender. Lávese la piel y cámbiese de ropa de inmediato.
  - a. Utilice sólo recipientes para gasolina autorizados.
  - b. Apague todos los cigarrillos, cigarros, pipas y otras fuentes de combustión.
  - c. Nunca cargue combustible en la máquina en un espacio cerrado.
  - d. Nunca saque la tapa del gas ni agregue combustible mientras el motor está caliente o en marcha.
  - e. Deje que el motor se enfríe por lo menos dos minutos antes de volver a cargar combustible.
  - f. Nunca recargue el tanque de combustible. Llene el tanque no más de 1/2 pulgada por debajo de la base del cuello del filtro para dejar espacio para la dilatación del combustible.
  - g. Vuelva a colocar la tapa de la gasolina y ajústela bien.
  - h. Limpie la gasolina derramada sobre el motor y el equipo. Traslade la máquina a otra zona. Espere 5 minutos antes de encender el motor.
  - i. Nunca almacene la máquina o el recipiente de combustible en un espacio cerrado donde haya fuego, chispas o luz piloto (por ejemplo, hornos, calentadores de agua, calefactores, secadores de ropa, etc.)
  - j. Para reducir el riesgo de incendio mantenga la máquina limpia de pasto, hojas y de acumulación de otros desechos. Limpie los derrames de aceite o combustible y saque todos los desechos embebidos con combustible.
  - k. Deje que la máquina se enfríe por lo menos 5 minutos antes de guardarla.

## Operación

1. No ponga las manos o los pies cerca de las piezas rotatorias o en las cámaras de alimentación ni en la abertura de descarga. El contacto con el motor rotatorio puede producir la amputación de dedos, manos o pies.
2. Antes de encender la máquina compruebe que el canal de la cortadora, la toma de alimentación y la cámara de corte están vacías y sin desechos.
3. Inspeccione minuciosamente todo el material que desea triturar y saque los objetos metálicos, piedras, botellas, latas u otros objetos extraños que pueden ocasionar lesiones o dañar la máquina.
4. Si el motor golpea un objeto extraño o si la máquina empieza a producir un sonido poco común o una vibración, apague el motor de inmediato. Deje que el motor se detenga por completo. Desconecte el cable de la bujía, póngalo de manera que haga masa contra el motor y siga estos pasos:
  - a. Inspeccione la máquina para ver si está dañada.
  - b. Repare o reemplace las piezas dañadas.
  - c. Controle si hay piezas flojas y ajústelas para asegurar que la máquina funcione de manera segura y continua.
5. No permita que se acumule material procesado en la zona de descarga. El mismo puede obstaculizar la descarga adecuada y provocar el retorno del material a través de la abertura de alimentación.
6. No intente triturar ni picar material de mayor tamaño al especificado en la máquina o en este manual. Se podrían producir lesiones o daños.
7. Nunca trate de destapar la toma de alimentación o la abertura de descarga mientras el motor está en marcha. Apague el motor y espere hasta que todas las piezas que se mueven se hayan detenido por completo, desconecte el cable de la bujía y póngalo de manera que haga masa contra el motor antes de sacar los escombros.
8. Nunca opere la máquina sin que la bolsa de la aspiradora y el canal de descarga estén conectados a la máquina como corresponde. Nunca vacíe ni cambie la bolsa de la aspiradora mientras el motor está en marcha. El extremo con cierre de la bolsa de la aspiradora debe quedar cerrado todo el tiempo mientras la opera.
9. Nunca opere la máquina si el pico de ingreso o la unión opcional para la manguera no están conectados a la máquina adecuadamente. Nunca intente conectar o cambiar ninguna de estas uniones mientras el motor está en marcha.
10. Mantenga todos los protectores, desviadores y dispositivos de seguridad en su lugar y en buenas condiciones.
11. Mientras alimenta material dentro de la máquina mantenga su rostro y su cuerpo detrás y hacia un costado del canal de la cortadora para evitar lesiones por retrocesos accidentales.
12. Nunca opere esta máquina sin buena visibilidad o iluminación. Siempre debe estar seguro de que está bien afirmado y sostenga bien las manijas.
13. No opere esta máquina en superficies con grava.
14. No opere esta máquina estando bajo los efectos del alcohol o de drogas.
15. El silenciador y el motor se calientan y pueden producir quemaduras. No los toque.
16. Nunca levante o transporte la máquina cuando el motor está encendido.

## Mantenimiento y almacenamiento

1. Nunca manipule los dispositivos de seguridad de manera imprudente. Controle periódicamente que funcionen de forma adecuada.
2. Controle frecuentemente que todos los pernos y tornillos estén bien ajustados para comprobar que la máquina se encuentra en condiciones seguras de funcionamiento. Además, realice una inspección visual de la máquina para controlar si la misma está dañada y repárela de ser necesario.
3. Antes de limpiar, reparar o inspeccionar la máquina, detenga el motor y compruebe que el mismo y que todas las piezas móviles se hallan detenidos. Desconecte el cable de la bujía y póngalo de manera que haga masa contra el motor para evitar que se encienda de manera accidental.
4. No cambie la configuración del regulador del motor ni acelere demasiado el mismo. El regulador controla la velocidad máxima segura de operación del motor.
5. Mantenga o reemplace las etiquetas de seguridad e instrucciones según sea necesario.
6. Siga las instrucciones de este manual para cargar, descargar, transportar y almacenar de manera segura esta máquina.
7. Nunca almacene la máquina o el recipiente de combustible en un espacio cerrado donde haya fuego, chispas o luz piloto como por ejemplo, calentadores de agua, hornos, secadores de ropa, etc.
8. Consulte siempre el manual del operador para conocer las instrucciones adecuadas para el almacenamiento fuera de temporada.
9. Si debe vaciar el tanque de combustible, hágalo al aire libre.
10. Respete las normas referentes a la disposición correcta y las reglamentaciones sobre gas, combustible, etc. para proteger el medio ambiente.

### No modifique el motor

Para evitar lesiones graves o la muerte, no modifique el motor bajo ninguna circunstancia. Si cambia la configuración del regulador el motor puede descontrolarse y operar a velocidades inseguras. Nunca cambie la configuración de fábrica del regulador del motor.

### Aviso referido a emisiones

Los motores que están certificados y cumplen con las regulaciones de emisiones federales EPA y de California para SORE (Equipos Small Off Road Equipment) están certificados para operar con gasolina común sin plomo y pueden incluir los siguientes sistemas de control de emisiones: Modificación de motor (EM) y catalizador de tres vías (TWC) si está equipado de esa manera.

### Su responsabilidad:

Esta máquina eléctrica sólo pueden usarla las personas que lean, comprendan y respeten las advertencias e instrucciones que aparecen en este manual y en la máquina.

# 2

## Prácticas de seguridad en la operación



### ADVERTENCIA:

Este símbolo indica instrucciones de seguridad importantes que de no seguirse, se podría poner en peligro la seguridad personal y/o la propiedad suya y de terceros. Lea y siga todas las instrucciones en este manual antes de iniciar la operación de esta máquina. En caso de no seguir estas instrucciones podría provocar lesiones personales. Cuando vea este símbolo

### SIGA LA ADVERTENCIA Su

### responsabilidad:

Sólo permita que usen esta máquina eléctrica las personas que lean, comprendan y respeten las advertencias y las instrucciones que aparecen en este manual y en la máquina.

# 3

## Configuración y Ajustes



### IMPORTANTE:

Esta unidad se envía sin gasolina ni aceite en el motor. Antes de operar la máquina cargue el motor con gasolina y aceite como se indica en el manual separado del mismo.

NOTA: Las referencias a los lados derecho e izquierdo de la aspiradora para patios se hacen observando la máquina desde la posición de operación.

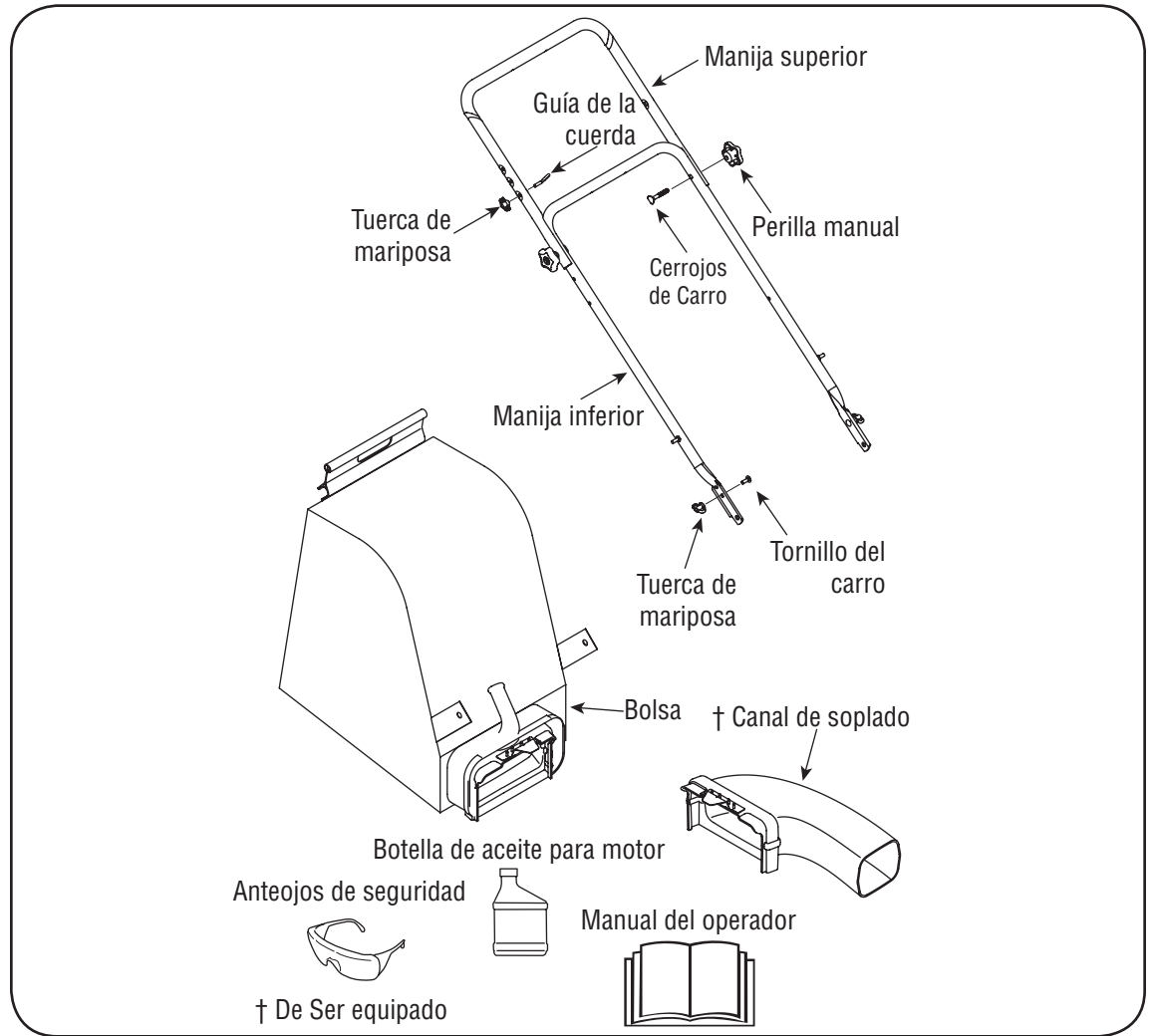


Figura 3-1

**IMPORTANTE:** Esta unidad se envía sin gasolina ni aceite en el motor. Antes de operar la máquina cargue el motor con gasolina y aceite como se indica en el manual separado del mismo.

**NOTA:** Las referencias a los lados derecho e izquierdo de la aspiradora para patios se hacen observando la máquina desde la posición de operación.

### APERTURA DE LA CAJA DE CARTÓN

1. Corte cada una de las esquinas de la caja verticalmente, de la parte superior a la base.
2. Saque todas las piezas sueltas.
3. Quite el material de empaque suelto.

### CÓMO SACAR LA UNIDAD DE LA CAJA

1. Eleve la unidad desde la parte posterior para separarla del material de la caja que quede debajo, y haga rodar la unidad fuera de la caja.
2. Verifique cuidadosamente si en la caja queda alguna parte suelta.

**NOTA:** Asegúrese de no doblar los cables mientras extrae de la caja las partes sueltas o toda la unidad.

### PIEZAS SUELTAS DENTRO DE LA CAJA

(Vea la figura 3-1)

- Manija superior e inferior
- Bolsa
- Canal de soplado (Opcional)
- Anteojos de seguridad
- Aceite para motor (puede estar en el interior de la bolsa)
- Manual del operador

## MONTAJE DE LA MANIJA

1. Saque los broches de horquilla de los soportes de la manija, y saque los tornillos del carro y las tuercas de mariposa de la manija inferior.
  - a. Sitúe los agujeros inferiores de la manija inferior (muesca que señala abajo) sobre los pernos de los soportes de la manija, y asegúrelos con broches de horquilla. Vea la figura 3-2.
  - b. Inserte los tornillos del carro desde el lado de afuera a través del agujero superior de la manija inferior y asegúrelos con tuercas de mariposa. Vea la figura 3-2.
2.
  - a. Despliegue la manija superior hasta que quede alineada con la manija inferior. Asegúrese que la guía de la cuerda esté situada a la derecha de la manija superior. Vea la figura 3-3.

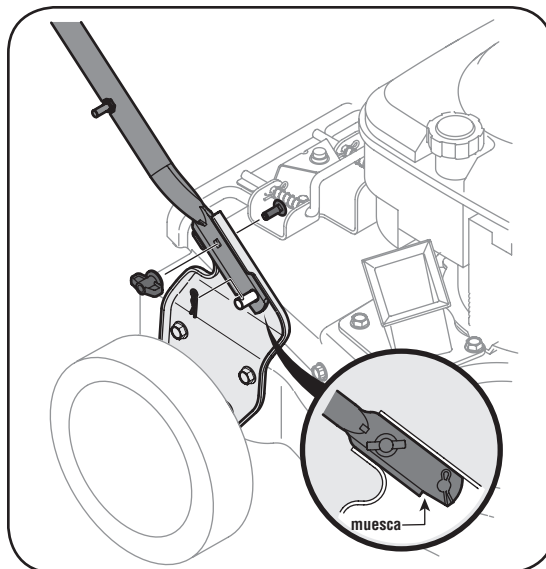


Figura 3-2

**IMPORTANTE:** Asegúrese de enrutar los cables fuera de la manija inferior. Asimismo, no prensa los cables mientras levanta las manijas.

- b. Para sujetar las dos manijas ajuste las perillas de la manija (los pernos del carro deben estar colocados de forma adecuada en la manija). Vea la figura 3-3.
3. Afloje la tuerca de mariposa que sostiene la guía de la cuerda contra el lado derecho de la manija superior.
    - a. Tire lentamente de la cuerda de arranque para sacarla del motor. Vea la figura 3-4.
    - b. Deslice la cuerda de arranque en la guía.
    - c. Ajuste la tuerca a mariposa. Vea la figura 3-4.

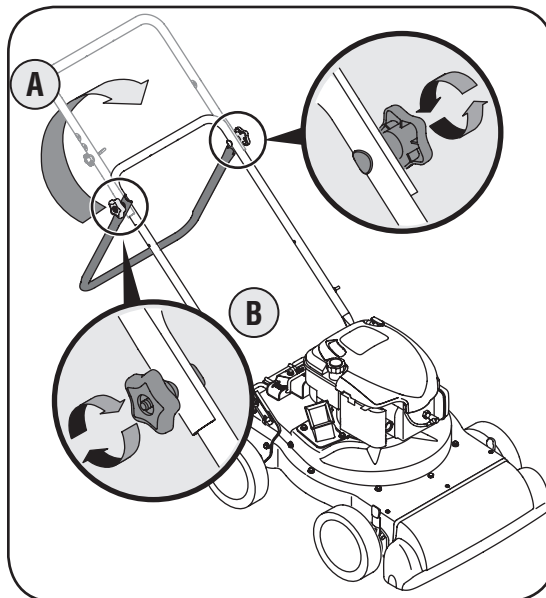


Figura 3-3

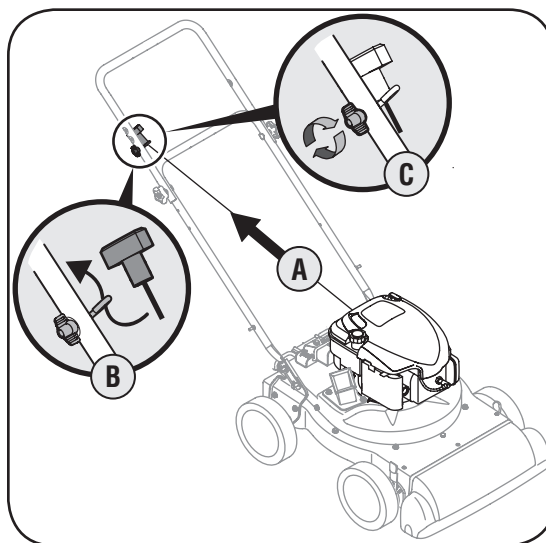


Figura 3-4

# 3

## Configuración y Ajustes



**IMPORTANTE:** Asegúrese de enrutar los cables fuera de la manija inferior. Asimismo, no prensa los cables mientras levanta las manijas.



# 3

## Configuración y Ajustes



NOTA: El botón interruptor de bolsa / canal unido a la ménsula de montaje debe quedar presionado totalmente por la punta de la aleta delantera situada en el canal de soplado, o el motor no arrancará.

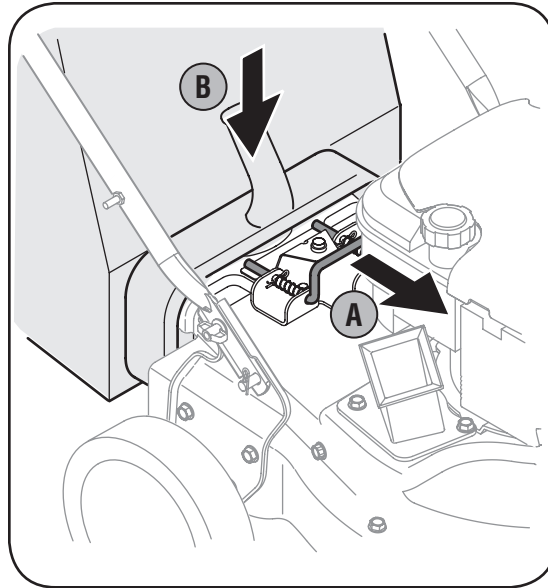


Figura 3-5

### MONTAJE DE LA BOLSA

1. Sostenga la manija de la bolsa con una mano y deslice la varilla de seguridad del soporte de montaje hacia el motor con la otra mano. Use el extremo del soporte de montaje como palanca cuando deslice la varilla de seguridad.
2. Deslice la bolsa por encima del borde de la abertura de descarga y suelte la varilla de seguridad para ajustar la bolsa en su lugar. Vea la figura 3-5.
3. Una el broche de la bolsa a presión con la parte superior de la manija inferior.
4. Coloque las tiras inferiores de la bolsa por encima de la parte superior de la manija inferior, enganchándolas en los pernos. Vea la figura 3-6.

**NOTA:** El botón interruptor de bolsa / canal, unido a la ménsula de montaje, debe quedar presionado totalmente por la punta de la aleta delantera situada en la manija de la bolsa cuando ajuste dicha bolsa, o el motor no arrancará.

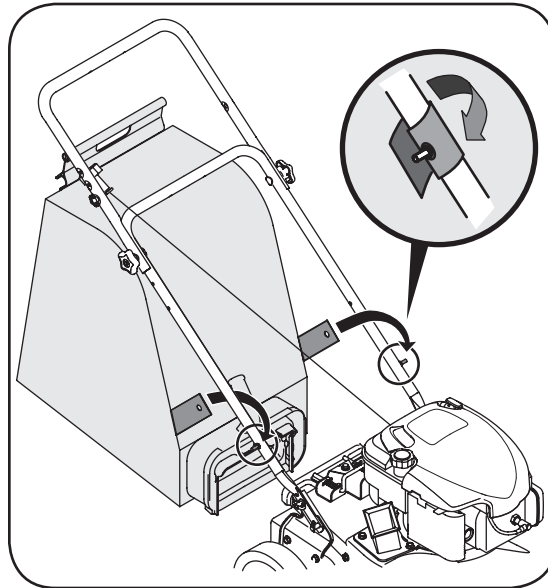


Figura 3-6

## INSTALAR EL CANAL DE SOPLADO

### (De Ser equipado)

**NOTA:** hay que retirar la bolsa antes de instalar el canal de soplado.

1. Tome el canal de soplado con una mano y deslice la varilla de seguridad del soporte de montaje hacia el motor con la otra mano. Use el extremo del soporte de montaje como palanca cuando deslice la varilla de seguridad. Vea la figura 3-7.
2. Deslice el canal de soplado por encima del borde de la abertura de descarga, y suelte la varilla de seguridad para ajustar el canal en su lugar.
3. Aumente la altura del pico al máximo cuando utilice el canal de soplado. Consulte las instrucciones para ajustar la altura del pico en la siguiente sección.

**NOTA:** El botón interruptor de bolsa / canal unido a la ménsula de montaje debe quedar presionado totalmente por la punta de la aleta delantera situada en el canal de soplado, o el motor no arrancará.

## AJUSTE DE LA ALTURA DEL PICO

Puede ajustar el pico en seis posiciones que varían desde 5/8" a 4 1/8" de distancia del suelo. Debe ajustar la altura del pico según las condiciones del patio.

1. Oprima la palanca de ajuste de la altura del pico hacia la rueda. Vea la figura 3-8.
2. Mueva la palanca de ajuste de altura hacia delante o hacia atrás, para mover el pico arriba o abajo. Asegúrese de que ambas palancas están en la misma posición.
3. Libere la palanca hacia la cubierta.

**NOTA:** En general, levante la altura del pico para aspirar una capa gruesa de hojas o para usar el canal de soplado. Baje la altura del pico para superficies más lisas.

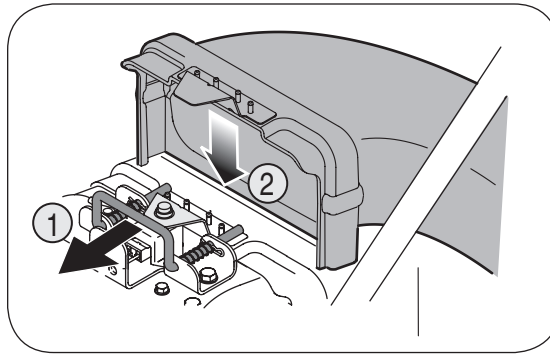


Figura 3-7

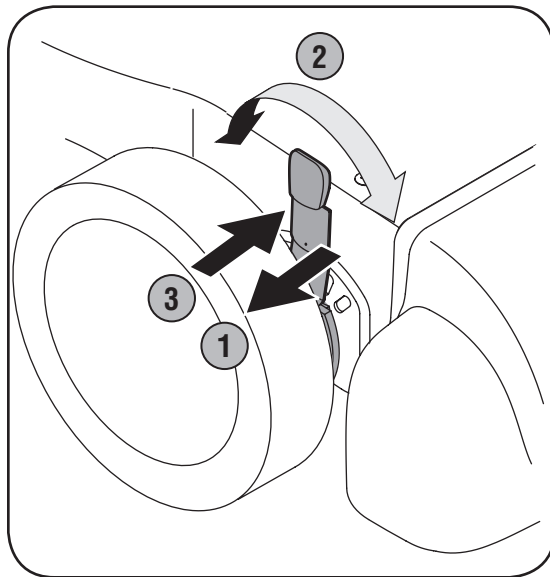


Figura 3-8

# 3

## Configuración y Ajustes



**NOTA:** El botón interruptor de bolsa / canal unido a la ménsula de montaje debe quedar presionado totalmente por la punta de la aleta delantera situada en el canal de soplado, o el motor no arrancará.

**NOTA:** En general, levante la altura del pico para aspirar una capa gruesa de hojas o para usar el canal de soplado. Baje la altura del pico para superficies más lisas.



## Conozca las Propiedades de la Aspiradora Para Patios

# 4

### Funcionamiento de la Aspiradora Para Patios



#### ADVERTENCIA:

Al operar una cortadora trituradora puede ser que objetos extraños sean arrojados a los ojos lo cual puede dañarlos gravemente. Utilice siempre los anteojos de seguridad provistos con esta unidad o protectores para ojos mientras opera y mientras realiza ajustes o reparaciones.



**ADVERTENCIA:** Al operar una cortadora trituradora puede ser que objetos extraños sean arrojados a los ojos lo cual puede dañarlos gravemente.

Utilice siempre los anteojos de seguridad provistos con esta unidad o protectores para ojos mientras opera y mientras realiza ajustes o reparaciones.

#### CANAL DE LA CORTADORA

Permite que las ramas pequeñas de hasta 1-1/2" de diámetro ingresen al motor para picarlas. Vea la figura 4-1.

#### PALANCA

Los desechos que se acumulan en los patios como por ejemplo las hojas o las agujas de los pinos se pueden aspirar con el pico para picarlos.

#### BOLSA

Junta el material triturado que ingresó a través del canal de picado o que fue aspirado a través del pico o de la manguera.

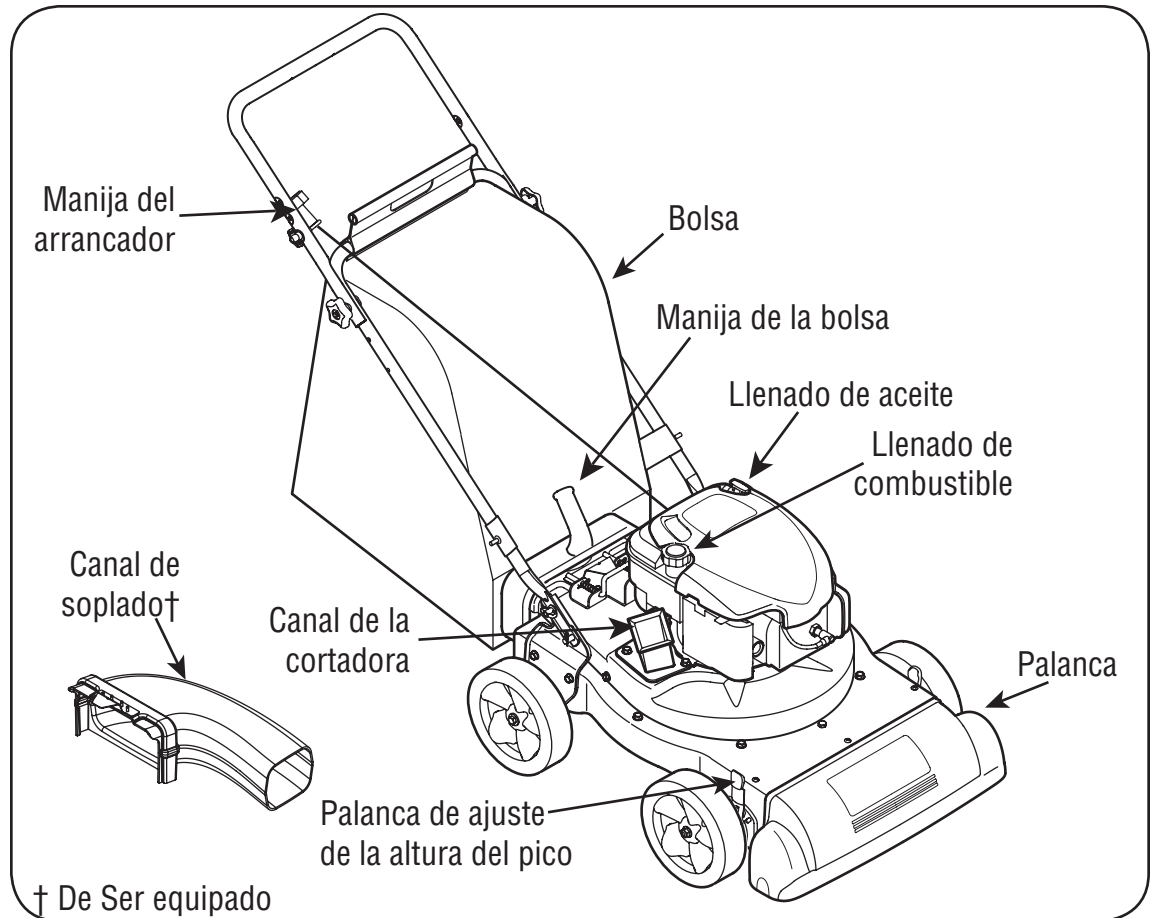


Figura 4-1

Ahora que ya ha ajustado su aspiradora para patios para la operación, familiarícese con sus controles y características. Estos se describen y se ilustran en esta página. Este conocimiento le permitirá utilizar su nuevo equipo a su máxima capacidad.

#### CANAL DE SOPLADO

##### (De Ser equipado)

Cuando se lo une a la unidad el canal de soplado se utiliza para soplar o esparcir por los patios los desechos que se acumulan en los mismos como por ejemplo las hojas, las agujas de los pinos o las ramas pequeñas.

#### MANIJA DE LA BOLSA

Se utiliza para tomar la bolsa para colocarla, sacarla y vaciarla. Vea la figura 4-1.

#### PALANCA DE AJUSTE DE LA ALTURA DEL PICO

Se utiliza para ajustar la distancia entre el suelo y el pico que varía aproximadamente de 5/8" a 4 1/8".

#### MANIJA DEL ARRANCADOR

El mango de juez de salida es atado al mango superior derecho. Soporte detrás de unidad y tirón el mango de juez de salida para comenzar motor. Vea la figura 4-1.

#### MANDOS DE MOTOR

Ver el manual de motor separado para la posición y la función de los mandos en el motor.



**ADVERTENCIA:** Tenga extremo cuidado cuando manipule la gasolina. La gasolina es altamente inflamable y los vapores son explosivos. Nunca le agregue combustible a la máquina en interiores o mientras el motor está caliente o en funcionamiento. Apague los cigarrillos, cigarros, pipas y otras fuentes de combustión.

## LLENADO DE GASOLINA Y ACEITE

1. Verifique el nivel del aceite y agregue más de ser necesario. Siga las instrucciones el manual del motor. Vea la ubicación del tapón de llenado de aceite en la Figura 4-1.
2. Realice el servicio del motor con gasolina como se indica en el manual del motor. Vea la ubicación del tapón de llenado de combustible en la Figura 4-1.



**ADVERTENCIA:** Nunca llene el depósito de combustible dentro del correr de motor o hasta que se haya permitido que el motor se enfríe durante al menos dos minutos después del correr.

## PARA ENCENDER EL MOTOR

**IMPORTANTE:** El botón del interruptor de bolsa / canal debe quedar presionado totalmente por la punta de la aleta delantera situada en la manija de la bolsa o en el canal de soplado, ya que en caso contrario el motor no arrancará.

1. Conecte el cable de la bujía y la manga de goma a la misma.
2. Compruebe que el cable del interruptor de la bolsa / canal esté conectado al motor y que esté conectado a tierra mediante la ménsula de montaje.
3. El tanque de combustible debe llenarse a 3/4 del total antes de arrancar.
4. Mueva la palanca de control del estrangulador a la posición START/RUN (encendido / funcionamiento, representado por una liebre). Vea la figura 4-2.
5. Mueva el control del obturador hacia el control del regulador para obturar el carburador del motor. (Si el motor está tibio la obturación puede no ser necesaria). Vea la figura 4-2.
6. Situado detrás de la unidad, tome la manija del arrancador y tire de la cuerda hasta que sienta un tirón. Vea la figura 4-3.
7. Tire de la cuerda de manera rápida y continua. Apriete bien la manija del arrancador. Deje que la cuerda se enrosque lentamente.
8. Repita este paso, de ser necesario, hasta que se encienda el motor. Cuando se enciende el motor mueva el control de obturación gradualmente lejos del control del estrangulador.
9. Si el motor falla, mueva el control del obturador hacia atrás, en dirección al control del estrangulador, y repita los pasos 6 a 8.
10. Mantenga SIEMPRE el control del estrangulador en posición START/RUN (encendido / funcionamiento) mientras opere la aspiradora para patios.



**ADVERTENCIA:** Nunca dirijas el motor dentro o en un área mal ventilada. Los gases de combustión de motor contienen el monóxido de carbono, un gas inodoro y mortal.

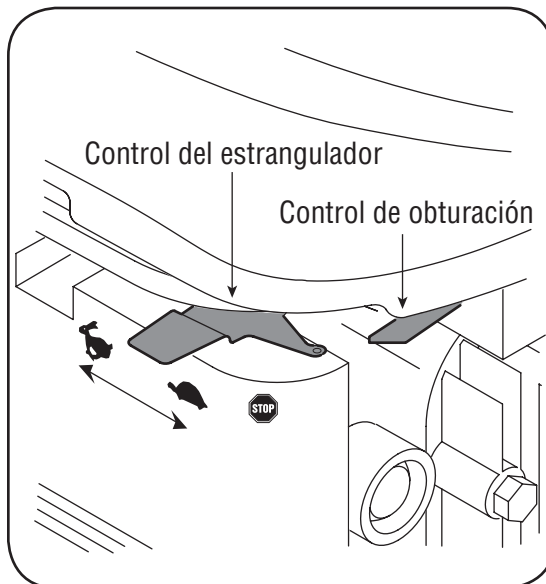


Figura 4-2

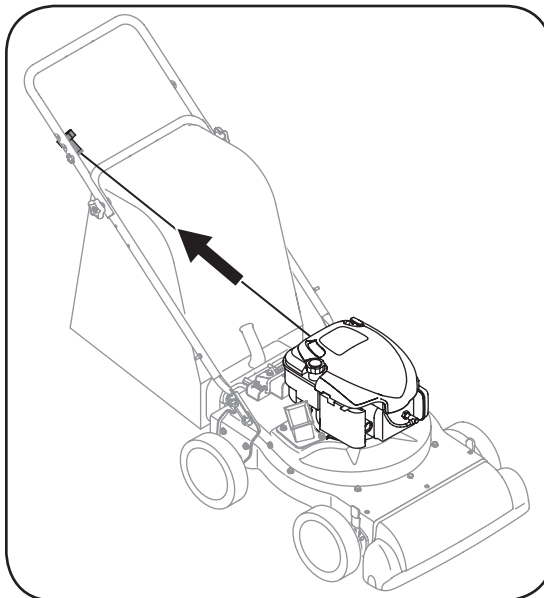


Figura 4-3

# 4

## Funcionamiento de la Aspiradora Para Patios



### ADVERTENCIA:

Tenga extremo cuidado cuando manipule la gasolina. La gasolina es altamente inflamable y los vapores son explosivos. Nunca le agregue combustible a la máquina en interiores o mientras el motor está caliente o en funcionamiento. Apague los cigarrillos, cigarros, pipas y otras fuentes de combustión.

Nunca llene el depósito de combustible dentro del correr de motor o hasta que se haya permitido que el motor se enfríe durante al menos dos minutos después del correr.

Nunca dirijas el motor dentro o en un área mal ventilada. Los gases de combustión de motor contienen el monóxido de carbono, un gas inodoro y mortal.

# 4

## Funcionamiento de la Aspiradora Para Patios



### ADVERTENCIA:

Cuando mueva la palanca del control del regulador tenga cuidado con las superficies calientes y los bordes afilados de la protección del silenciador.

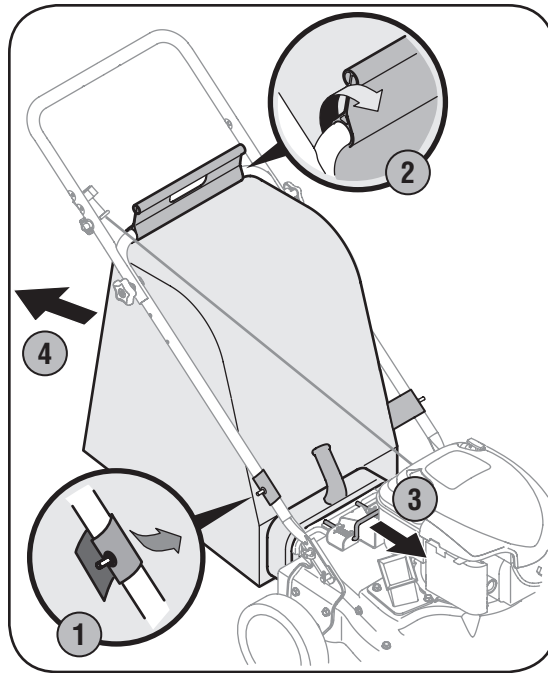


Figura 4-4

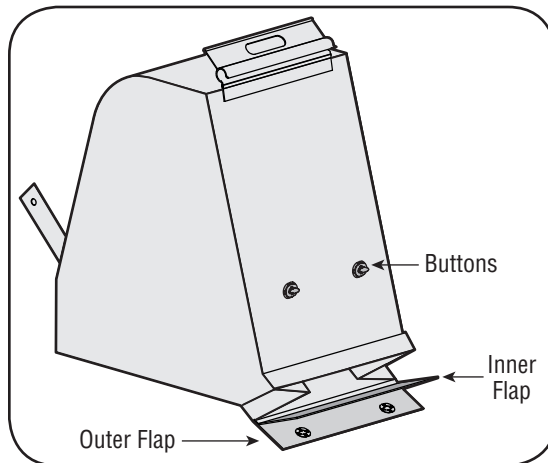


Figura 4-5

### PARA DETENER EL MOTOR

1. El regulador de movimiento controla la palanca para reducir la marcha (tortuga) de la posición. Siempre que posible, gradualmente reduzca la velocidad de motor antes de parar el motor.
2. Mueva las palancas de control del regulador a la posición STOP (detención) u OFF (apagado).
3. Desconecte el cable de la bujía de la bujía y colóquelo a masa contra el poste de retención para evitar que se encienda accidentalmente mientras no se está prestando atención al equipo.



**ADVERTENCIA:** Cuando mueva la palanca del control del regulador tenga cuidado con las superficies calientes y los bordes afilados de la protección del silenciador.

### DESCARGA DE LA BOLSA

1. Desenganche las tiras de la bolsa de la manija inferior.
2. Suelte el broche de la bolsa a presión de la parte superior de la manija inferior. Vea la figura 4-4.
3. Tome la manija de la bolsa con una mano y tire de la varilla de seguridad del soporte de montaje hacia el motor con la otra mano para soltarla.
4. Eleve la bolsa fuera de la parte posterior de la unidad.
5. Gire los dos botones de la parte posterior de la bolsa para abrirla y vaciar el contenido. Vea la figura 4-5. Sostenga la manija y el broche de la bolsa mientras vacía el contenido.
6. Comprima la abertura de la bolsa y doble la aleta interior sobre la abertura.
7. Doble la aleta exterior sobre la aleta interior e inserte los botones de la bolsa a través de las salidas metálicas. Vea la figura 4-5.
8. Gire los botones para cerrar la bolsa. Ubique la bolsa de nuevo en la unidad como se indica en la Sección de Asamblea.

## EXTRACCIÓN DEL CANAL DE SOP- LADO

### (De Ser equipado)

1. Tome el canal de soplado con una mano y tire de la varilla de seguridad del soporte de montaje hacia el motor con la otra mano para soltarlo. Consulte la figura 4-6.
2. Saque el canal de soplado por encima del borde de la abertura de descarga.

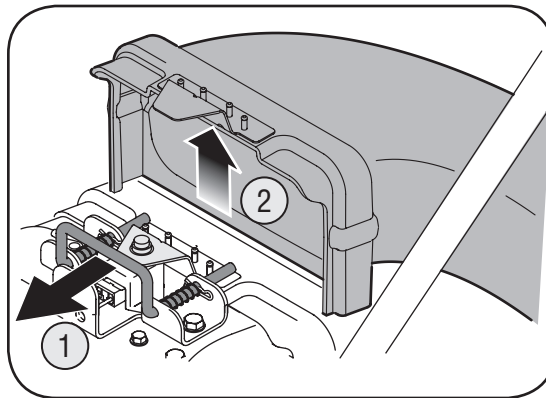


Figura 4-6

Coloque ambas manos encima del mango superior para empujar la unidad sobre la basura de yarda. El desecho que se acumula en los patios como por ejemplo las hojas y las agujas de los pinos pueden aspirarse a través del pico para triturarlos. Después que ha triturado el material con las hojas de desgranar del montaje del motor, el mismo será descargado a la bolsa colectoras o a través del canal de soplado. Sólo utilice la máquina para triturar o picar el material integrante de la vegetación que se encuentra en un patio normal (es decir, ramas, hojas, ramas pequeñas, etc.) Evite las plantas fibrosas como por ejemplo las de tomates hasta que estén totalmente secas. Se pueden introducir materiales como por ejemplo troncos o ramas pesadas de hasta 1 -1/2" de diámetro en el canal de la cortadora.



**ADVERTENCIA:** No intente triturar, picar ni aspirar material de mayor tamaño al especificado en la máquina o en este manual. Se podrían producir lesiones o daños a la máquina.

**IMPORTANTE:** La pantalla de desgranado está ubicada dentro de la caja en la zona de descarga. Si se tapa la pantalla de desgranado, sáquela y límpiela como se indica en la sección de mantenimiento. Para obtener el mejor resultado es importante también mantener afilada la hoja de la cortadora.



**ADVERTENCIA:** Siempre detenga el motor y desconecte el cable de la bujía antes de realizar cualquier ajuste.

# 4

## Funciona- miento de la Aspiradora Para Patios



### ADVERTENCIA:

No intente triturar, picar ni aspirar material de mayor tamaño al especificado en la máquina o en este manual. Se podrían producir lesiones o daños a la máquina.

Siempre detenga el motor y desconecte el cable de la bujía antes de realizar cualquier ajuste.

# 5

## Mantenimiento de la Aspiradora Para Patios



### ADVERTENCIA:

Detenga siempre el motor, desconecte la bujía y haga masa contra el motor antes de limpiar, lubricar o de realizar todo tipo de mantenimiento de la máquina.



**ADVERTENCIA:** Detenga siempre el motor, desconecte la bujía y haga masa contra el motor antes de limpiar, lubricar o de realizar todo tipo de mantenimiento de la máquina.

### RECOMENDACIONES GENERALES

- Respete siempre las reglas de seguridad cuando realice tareas de mantenimiento.
- La garantía de esta aspiradora para patios no cubre elementos que han estado sujetos al mal uso o negligencia del operador. Para recibir el reembolso total de la garantía, el operador deberá dar mantenimiento al equipo tal y como se indica en este manual.
- Algunos ajustes deben ser realizados periódicamente para el mantenimiento adecuado de la unidad.
- Revise periódicamente todos los sujetadores y compruebe que estén bien ajustados.

### LUBRICACIÓN

- **Ruedas** - Sitúe unas pocas gotas de aceite SAE 30 en cada tornillo con reborde una vez por temporada.
- **Palancas de ajuste de altura del pico**- Lubrique las palancas de ajuste de altura del pico con aceite ligero.
- **Varilla de seguridad**- Lubrique la varilla de seguridad y los resortes de compresión que la unen a la ménsula de montaje.
- **Motor:** Siga el manual de motor separado embalado por su unidad para instrucciones de lubricación.

### CARE DE EQUIPO

- Limpie cuidadosamente la aspiradora para patios después de cada uso.
- Lave la bolsa con agua periódicamente. Permita que se seque bien en un sitio a la sombra.
- Si se tapa la pantalla de desgranado, sáquela y límpiela como se indica abajo.

**NOTA:** La limpieza con un chorro de agua a presión no se recomienda, ya que el sistema de combustible podría resultar contaminado.

### CARE DE MOTOR

- Verifique el nivel de aceite como se indica en el manual.
- Limpie el filtro de aire cada 25 horas en condiciones normales de uso. Limpie a intervalos de pocas horas cuando haya mucho polvo. Consulte el manual del motor.
- Limpie la bujía y restablezca la distancia disruptiva por lo menos una vez por temporada. Consulte el manual del motor para conocer las especificaciones para el tipo de bujía y la distancia disruptiva correctas.
- Limpie el motor regularmente con un trapo o cepillo. Mantenga limpio el sistema de enfriamiento (área del soplador) para permitir la circulación apropiada de aire. Quite todo el césped, polvo y residuos del área del silenciador.



**ADVERTENCIA:** Antes de realizar cualquier tipo del mantenimiento en la máquina, espere todas las partes a dejar de moverse y desconectar el alambre de bujía. El fracaso de seguir esta instrucción podría causar la herida personal o el daño a la propiedad.

## EXTRACCIÓN DE LA PANTALLA DE DESGRANADO

Si la zona de descarga se tapa, saque la pantalla de desgranado y limpie la zona como se indica a continuación.

1. Detenga el motor. Compruebe que el vacío de la cortadora/trituradora se haya detenido por completo.
2. Antes de destapar el canal de descarga, **desconecte el cable de la bujía y póngalo de manera que haga masa contra el poste de retención.**
3. Saque la bolsa de la aspiradora o el canal de soplado (de ser equipado) de la unidad, como se indica en la sección OPERACIÓN, para acceder a la pantalla de desgranado.
4. Saque el tornillo autosellante del lado derecho de la unidad que se une a la pantalla de desgranado. Vea la figura 5-1.
5. Saque el tornillo de cabeza hexagonal de la parte superior de la caja posterior cerca del soporte de montaje, y la tuerca de seguridad de la brida que une la pantalla de desgranado. Vea la figura 5-1.
6. Saque la pantalla y límpiela con un cepillo o lávela con agua. Vea la figura 5-2.
7. Vuelva a colocar la pantalla.

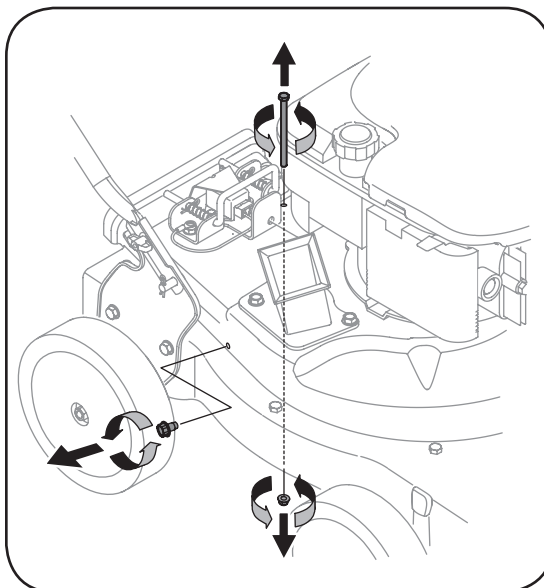


Figura 5-1

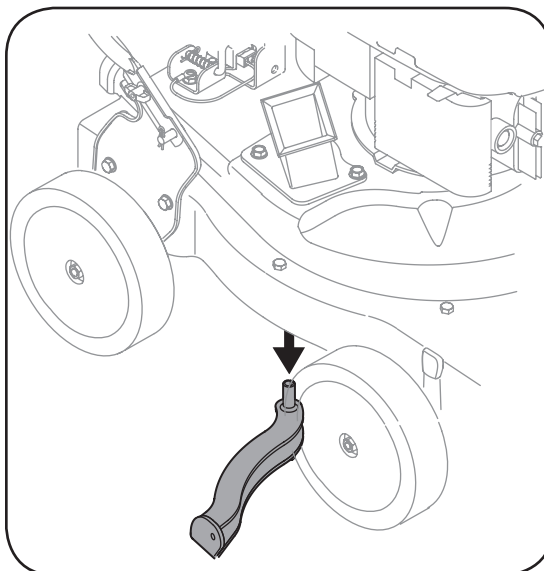


Figura 5-2

# 5

## Mantenimiento de la Aspiradora Para Patios



### ADVERTENCIA:

Antes de realizar cualquier tipo del mantenimiento en la máquina, espere todas las partes a dejar de moverse y desconectar el alambre de bujía. El fracaso de seguir esta instrucción podría causar la herida personal o el daño a la propiedad.



# 5

## Mantenimiento de la Aspiradora Para Patios

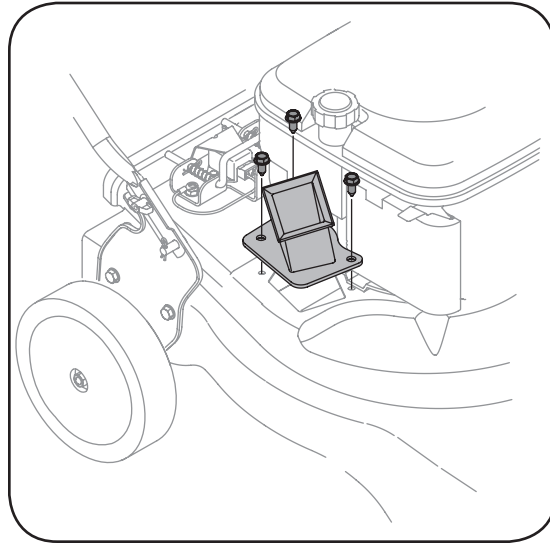


Figura 5-3

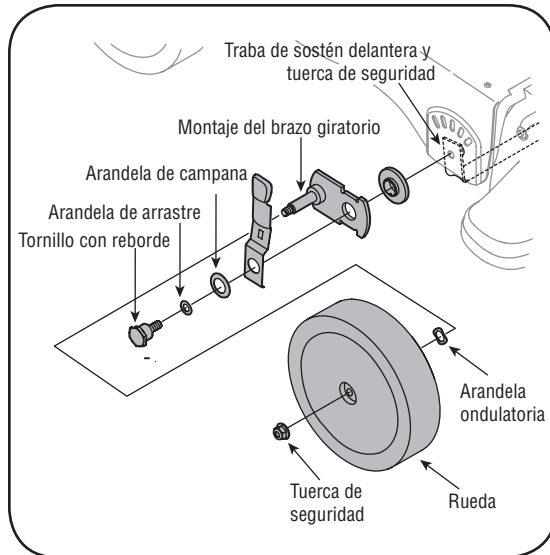


Figura 5-4

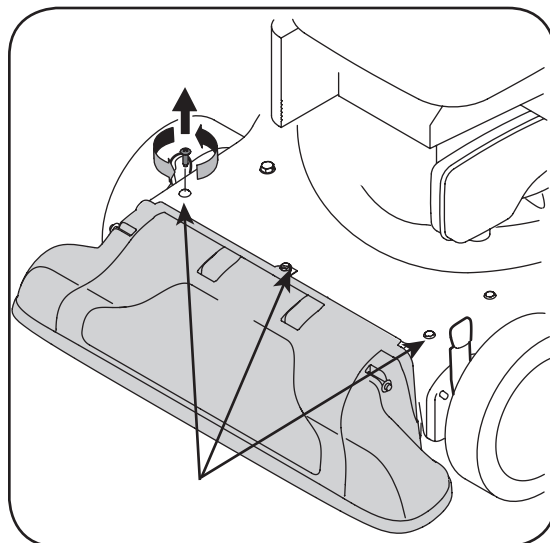


Figura 5-5

## AFILADO O REEMPLAZO DE LAS HOJAS DE LA CORTADORA

**NOTA:** cuando incline la unidad, vacíe el depósito de combustible y aceite, y mantenga el lado de la bujía hacia arriba.

1. **Desconecte el cable de la bujía y póngalo de manera que haga masa contra el poste de retención.**
2. Retire el montaje de la bolsa o el canal de soplado (de ser equipado).
3. Ajuste los tres tornillos de cabeza hexagonal que sostienen el canal de la cortadora a la caja superior. Vea la figura 5-3.
4. Saque las tuercas de seguridad de brida, las ruedas delanteras y las arandelas ondulatorias que van unidas a los montajes del brazo giratorio. Vea la figura 5-4.
5. Saque los tornillos con reborde, las arandelas de arrastre y las arandelas de campana que pasan por los brazos giratorios hasta la traba de sostén delantera. La traba de sostén delantera y la tuerca de seguridad pueden quitarse en este momento también.
6. Saque los tres tornillos de la caja superior que ajustan la cubierta del pico. Vea la figura 5-5.



# 5

## Mantenimiento de la Aspiradora Para Patios

7. Incline la unidad con cuidado y apóyela hacia arriba para obtener acceso por la parte inferior al material de montaje del pico y al motor. Retire los tres tornillos con reborde que aseguran el pico de plástico negro a la caja inferior. Consulte la figura 5-6.
8. Incline la parte superior del pico de plástico negro hacia el motor para retirarlo.
9. Mediante una llave Allen de 3/16", retire los tornillos de cabeza plana que sujetan la hoja de la cortadora al motor. Dichos tornillos son accesibles a través de la abertura que se creó cuando retiró el canal de la cortadora anteriormente. Vea la figura 5-7.
10. Es posible alcanzar las tuercas de los tornillos de cabeza plana desde la parte inferior, mediante una llave universal de 1/2 pulg. con extensión. Vea la figura 5-8.
11. Cambie o afile las hojas de la cortadora. Se puede afilar la cuchilla con un afilador o con una rueda de esmalte.
12. Cuando afile las hojas, protéjase las manos mediante el uso de guantes y siga el ángulo original de molido.
13. Para realizar el reensamblado siga los pasos anteriores en orden y manera inversos a la extracción.

**NOTA:** Ajuste los tornillos de la hoja con un par de torsión de 210- 250 in-lbs. Compruebe que se reensamblen las hojas de la cortadora con el filo hacia arriba.

### ALMACENAMIENTO FUERA DE TEMPORADA

- Almacenando el vacío de yarda en un cobertizo de almacenaje no ventilado o metálico, el cuidado debería ser tomado a inoxidable las superficies no pintadas. Usando un petróleo ligero o silicona, cubra el equipo, sobre todo cualquier primavera, portes, y cables.
- Quite toda la suciedad del exterior de motor y equipo.
- Siga recomendaciones de lubricación.
- Consulte el manual del motor para conocer las instrucciones para el almacenamiento correcto del mismo.
- Equipo de tienda en un área limpia, seca. No almacene en un área donde el equipo está presente que puede usar un piloto o tiene un componente que puede cree una chispa.

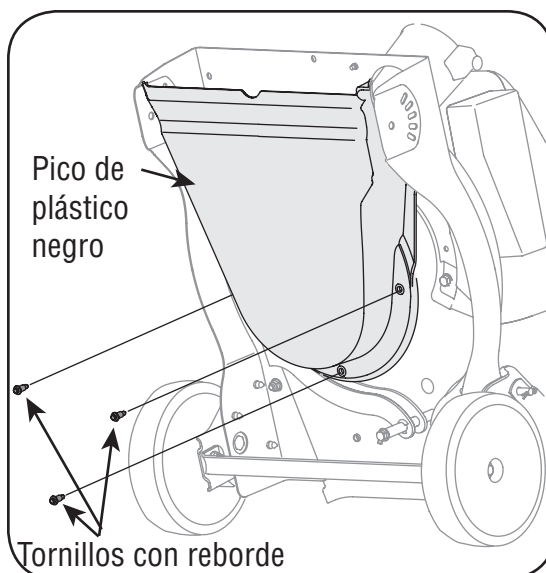


Figura 5-6

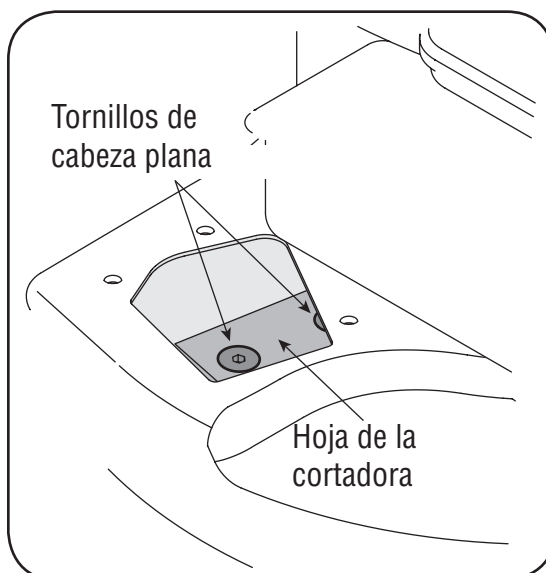


Figura 5-7

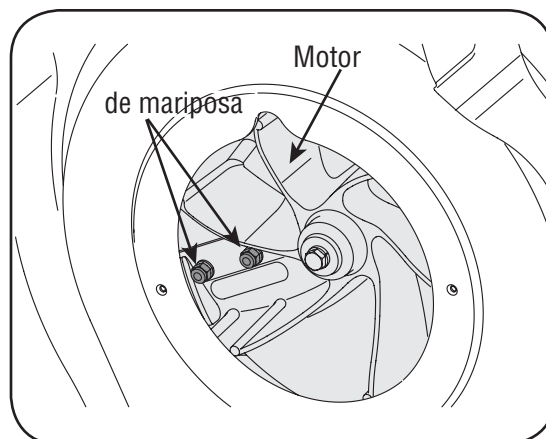


Figura 5-8

# 6

## Solución de problemas



*Si debe realizar reparaciones más importantes que las enunciadas aquí, comuníquese con el distribuidor local autorizado.*

Problema	Causa	Remedio
El motor no arranca	<ol style="list-style-type: none"> <li>1. La palanca del regulador no está en la posición de arranque correcta.</li> <li>2. La palanca de obturación no está en la posición ON (encendido).</li> <li>3. Se ha desconectado el cable de la bujía.</li> <li>4. La bujía no funciona correctamente.</li> <li>5. El tanque de combustible está vacío o el combustible es viejo.</li> <li>6. No se puede tirar de la cuerda de retroceso.</li> <li>7. El interruptor de seguridad no está presionado.</li> <li>8. El cable del interruptor de seguridad no está conectado al motor o no está conectado a tierra como corresponde.</li> </ol>	<ol style="list-style-type: none"> <li>1. Mueva la palanca del regulador a la posición START (inicio)/RUN (dirigido).</li> <li>2. Ponga el interruptor en la posición CHOKE (obturación).</li> <li>3. Conecte el cable a la bujía.</li> <li>4. Limpie, ajuste la distancia disruptiva o cambie.</li> <li>5. Llene el tanque con gasolina limpia y fresca.</li> <li>6. Hay una obstrucción en el motor. Desconecte el cable de la bujía y retire el objeto atascado.</li> <li>7. El interruptor de seguridad debe ser presionado por la aleta delantera de la manija de la bolsa cuando se asegura la bolsa.</li> <li>8. Conecte el cable del interruptor de seguridad al conector del motor, de manera que haga masa contra la ménsula de montaje.</li> </ol>
El motor funciona de manera errática	<ol style="list-style-type: none"> <li>1. La unidad está funcionando en la posición CHOKE (obturación).</li> <li>2. El cable de la bujía está flojo.</li> <li>3. El combustible es viejo.</li> <li>4. Agua o suciedad en el sistema del combustible.</li> <li>5. El filtro de aire está sucio.</li> <li>6. RPM del motor bajas</li> <li>7. Es necesario ajustar el carburador</li> </ol>	<ol style="list-style-type: none"> <li>1. Cambie la palanca de obturación a la posición OFF (apagado).</li> <li>2. Conecte y ajuste el cable de la bujía.</li> <li>3. Llene el tanque con gasolina limpia y fresca.</li> <li>4. Vacíe el tanque del combustible. Vuelva a llenarlo con combustible limpio.</li> <li>5. Consulte el manual del motor.</li> <li>6. Siempre accione el motor con el estrangulador al máximo.</li> <li>7. Consulte el manual del motor.</li> </ol>
El motor recalienta	<ol style="list-style-type: none"> <li>1. El nivel de aceite del motor es bajo.</li> <li>2. Flujo de aire restringido.</li> <li>3. El carburador no está ajustado correctamente.</li> </ol>	<ol style="list-style-type: none"> <li>1. Llene el cárter con aceite adecuado.</li> <li>2. Retire el alojamiento del soplador y límpielo.</li> <li>3. Consulte el manual del motor.</li> </ol>
Saltos ocasionales (pausas) a alta velocidad	<ol style="list-style-type: none"> <li>1. La distancia disruptiva de la bujía es muy pequeña.</li> <li>2. Ajuste de la mezcla del carburador mal realizada.</li> </ol>	<ol style="list-style-type: none"> <li>1. Quite la bujía y ajuste el hueco.</li> <li>2. Consulte el manual del motor.</li> </ol>

<b>Problema</b>	<b>Causa</b>	<b>Remedio</b>
Funciona mal en marcha lenta	<ol style="list-style-type: none"> <li>1. Bujía atorada, averiada o exceso de distancia disruptiva.</li> <li>2. Carburador ajustado incorrectamente.</li> <li>3. El filtro de aire está sucio.</li> </ol>	<ol style="list-style-type: none"> <li>1. Sustituya la bujía y ajuste el hueco.</li> <li>2. Consulte el manual del motor.</li> <li>3. Consulte el manual del motor.</li> </ol>
Demasiada vibración	<ol style="list-style-type: none"> <li>1. Hay partes que están flojas o el motor está dañado.</li> </ol>	<ol style="list-style-type: none"> <li>1. Detenga el motor de inmediato y desconecte el cable de la bujía. Consulte a un distribuidor autorizado.</li> </ol>
La unidad no descarga	<ol style="list-style-type: none"> <li>1. El área de descarga está tapada</li> <li>2. Hay un objeto extraño en el motor</li> <li>3. RPM del motor bajas</li> <li>4. La bolsa de la aspiradora está llena.</li> </ol>	<ol style="list-style-type: none"> <li>1. Detenga el motor de inmediato y desconecte el cable de la bujía. Limpie la pantalla de desgranado y el interior de la abertura de descarga.</li> <li>2. Detenga el motor y desconecte el cable de la bujía. Saque el objeto extraño del motor.</li> <li>3. Siempre accione el motor con el estrangulador al máximo.</li> <li>4. Vacíe la bolsa.</li> </ol>
La tasa de descarga se reduce de manera considerable o cambia la composición del material descargado	<ol style="list-style-type: none"> <li>1. RPM del motor bajas</li> <li>2. La hoja de la cortadora está desafilada</li> </ol>	<ol style="list-style-type: none"> <li>1. Siempre accione el motor con el estrangulador al máximo.</li> <li>2. Reemplace la hoja de la cortadora o contacte a un distribuidor autorizado.</li> </ol>

# 6

## Solución de problemas



*Si debe realizar reparaciones más importantes que las enunciadas aquí, comuníquese con el distribuidor local autorizado.*

# GARANTÍA LIMITADA DEL FABRICANTE PARA



La garantía limitada que se extiende a continuación es otorgada por la empresa MTD LLC y cubre mercaderías nuevas compradas y utilizadas en los Estados Unidos, sus posesiones y territorios.

“MTD” garantiza este producto por defectos de materiales y de fabricación por un período de dos (2) años a partir de la fecha de la compra original y reparará o cambiará sin cargo cuando lo considere pertinente todas las piezas con defectos de materiales o de fabricación. Esta garantía limitada sólo se aplicará si el producto ha sido operado y mantenido de acuerdo con las instrucciones del Manual del Operador que se proporciona con el producto y no ha sido sujeto a uso inapropiado, abuso, uso comercial, abandono, accidente, mantenimiento incorrecto, alteración, vandalismo, robo, incendio, inundación o algún daño debido a otro peligro o desastre natural. El daño resultante por la instalación o el uso de piezas, accesorios o uniones no aprobados por MTD para su uso con el(los) producto(s) incluido(s) en este manual anulará la garantía en lo que respecta a esos daños.

Se garantiza que las piezas con desgaste normal están libres de defectos en los materiales o de fabricación por un período de treinta (30) días a partir de la fecha de compra. Las piezas o componentes sujetos a desgaste normal incluyen pero no se limitan a: baterías, correas, cuchillas, adaptadores para cuchillas, bolsas para pasto, ruedas para la plataforma de la podadora tractor, asientos, zapatas antideslizantes, placas, gomas de corte y neumáticos.

**CÓMO SOLICITAR Y OBTENER SERVICIO TÉCNICO:** El servicio de la garantía está disponible, CON PRUEBA DE COMPRA, a través del distribuidor local autorizado para el mantenimiento. Para localizar al distribuidor en su área, busque en las páginas amarillas de su localidad o contacte a MTD LLC al Apartado Postal 361131, Cleveland, Ohio 44136-0019, o llame al 1-800-800-7310 ó 1-330-220-4683 o entre a la página Web en [www.mtdproducts.com](http://www.mtdproducts.com).

Esta garantía limitada **no** lo cubrirá en los siguientes casos:

- El motor y las piezas componentes del mismo. Estos productos pueden tener garantía del fabricante por separado. Consulte los términos y condiciones de la garantía aplicable del fabricante.
- Las bombas para el corte de madera, las válvulas y los cilindros tienen una garantía independiente de un año.
- Los artículos necesarios para el mantenimiento de rutina como por ejemplo lubricantes, filtros, afiladores de cuchillas, los ajustes de los frenos, del embrague o de la plataforma y el deterioro normal del acabado exterior debido al uso o exposición.
- Servicio no realizado por el distribuidor autorizado para el mantenimiento.

e. MTD no proporciona ninguna garantía por productos vendidos o exportados fuera de los Estados Unidos de América, sus posesiones y territorios, excepto aquellos que fueren vendidos a través de los canales autorizados por MTD para la distribución de exportaciones.

f. Piezas de reemplazo que no son piezas genuinas de MTD.

g. Gastos de transporte y llamadas por servicios técnicos.

**No se aplican garantías implícitas, incluidas las garantías implícitas de comerciabilidad o de adecuación para un propósito determinado, después del período de aplicación de la garantía escrita expresa extendida más arriba para las piezas de acuerdo con su identificación. Ninguna otra garantía expresa, oral o escrita, excepto la mencionada anteriormente, extendida por personas o personas jurídicas, incluidos los distribuidores o los minoristas con respecto a los productos, obligará a MTD. Durante el plazo de la garantía el único recurso es la reparación o reemplazo del producto como se indicó anteriormente.**

**Las disposiciones incluidas en esta garantía proveen el recurso único y exclusivo que surge de las ventas. MTD no será responsable por pérdidas o daños incidentales o directos, incluyendo sin límites, los gastos incurridos para los servicios de cuidado del pasto de reemplazo o cambio, o los gastos de alquiler para reemplazar de manera transitoria un producto bajo garantía.**

Algunos estados no permiten la exclusión o limitación de los daños y perjuicios incidentales o directos, o las limitaciones sobre la duración de las garantías implícitas, por lo que las exclusiones o limitaciones mencionadas anteriormente pueden no serle de aplicación.

En ningún caso se obtendrá una compensación mayor al monto del precio de compra del producto vendido. **La alteración de las características de seguridad del producto anulará esta garantía.** Usted asume el riesgo y la responsabilidad por las pérdidas, daños o lesiones que sufran Usted y sus bienes y / o otras personas y sus bienes como consecuencia del uso, del uso incorrecto o de la imposibilidad de uso de este producto.

Esta garantía limitada alcanza solamente al comprador original, o a la persona que recibió el producto de regalo.

**CÓMO SE RELACIONA LA LEGISLACIÓN ESTATAL CON ESTA GARANTÍA:** Esta garantía limitada le otorga derechos legales específicos y usted también puede contar con otros derechos que varían de un estado a otro.

**IMPORTANTE:** El propietario debe presentar prueba de compra original para obtener la cobertura de la garantía.

MTD LLC, P.O. BOX 361131 CLEVELAND, OHIO 44136-0019, Teléfono: 1-800-800-7310, 1-330-220-4683

## Free Manuals Download Website

<http://myh66.com>

<http://usermanuals.us>

<http://www.somanuals.com>

<http://www.4manuals.cc>

<http://www.manual-lib.com>

<http://www.404manual.com>

<http://www.luxmanual.com>

<http://aubethermostatmanual.com>

Golf course search by state

<http://golfingnear.com>

Email search by domain

<http://emailbydomain.com>

Auto manuals search

<http://auto.somanuals.com>

TV manuals search

<http://tv.somanuals.com>