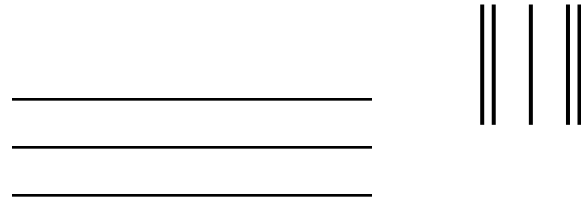
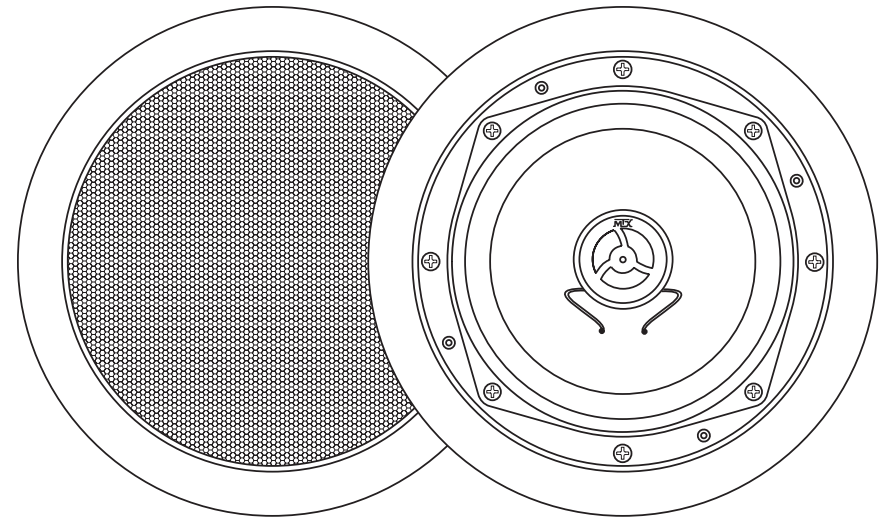

MX Blueprint[®] series



FIRST
CLASS
STAMP
HERE

MODEL 510CM

WATER RESISTANT
IN CEILING LOUDSPEAKER

OWNERS MANUAL



4545 E BASELINE RD
PHOENIX AZ 85040-6400



CONGRATULATIONS

We appreciate your choice of MTX Blueprint Series In-Ceiling Loudspeakers. Properly installed and operated, MTX In-Ceiling Loudspeakers should provide years of worry-free listening pleasure. It's important that you follow each step in this guide carefully to insure proper installation. If you have any questions regarding MTX In-Ceiling Loudspeakers, please call us at 1-800-223-5266.

SPECIFICATIONS

Frequency Response	72-20kHz
Impedance	8 Ohms
Nom. Power Handling	30 Watts
Total Power Handling	120 Watts
Sensitivity	85dB
Woofer Diameter	5 1/4"
Tweeter	1/2" Polycarbonate Dome
Mounting Depth	3 5/16"

Specifications subject to change without notice.

PAINTING YOUR MTX IN-WALLS

MTX In-Ceiling speakers are designed to accept all types of interior and exterior paints. Spray or roller application should provide excellent results. A paint shield is included with all Blueprint Series In-Ceiling speakers to protect the speakers during the painting process.

WARRANTY

MIX Blueprint Series In-Ceiling Loudspeakers are guaranteed against defects in parts and workmanship for a period of ten (10) years from the date of purchase. Speakers found defective during that period will be repaired by MIX without charge for parts.

This warranty is void if it is determined that unauthorized parties have attempted repairs or alterations of any nature. Before assuming that a defect is present in the loudspeakers, be certain that all associated equipment is operating properly.

If a defect is present, your authorized MIX dealer may be able to effect repairs. If not, you are responsible for providing transportation to the factory. Your MIX dealer can recommend the safest method of transportation. Proof of purchase is required when requesting service, so please retain your sales slip.

Specifications subject to change without notice.

(Cut out on dotted line and mail to address on reverse side.)

WARRANTY REGISTRATION

To register your purchase and insure your investment, please fill out and return this card

NAME _____ AGE _____

ADDRESS _____

MODEL PURCHASED _____ MODEL 510CM

DATE PURCHASED _____

DEALER NAME _____

PURPOSE: Main Music Listening Background Video/surround

Other _____

ROOM(S) INSTALLED _____

INSTALLED BY _____

HOW DID YOU FIRST LEARN OF MTX IN-WALLS?

Dealer Friend Magazine Radio Newspaper Other

OTHER BLUEPRINT SERIES PRODUCTS FROM MTX

MTX offers a wide assortment of audio components. Ranging from in-wall speakers to amplifiers to accessories. Each component is value engineered and must meet strict quality control standards before it becomes part of the MTX product line.

Listed below you will find a sampling of MTX components available from your authorized Blueprint Series dealer.

IN-WALL LOUDSPEAKERS

MODEL 520W

5-1/4" Two-Way In-Wall Speaker
1" Soft Dome Tweeter
8 Ohm Impedance/84dB Sensitivity
53Hz-20kHz Frequency Response
50 Watts RMS/160 Watts Total
11"H x 7-1/2"W x 2-1/2"D

MODEL 620W

6-1/2" Two-Way In-Wall Speaker
1" Soft Dome Tweeter
8 Ohm Impedance/85dB Sensitivity
43Hz-20kHz Frequency Response
55 Watts RMS/180 Watts Total
12-1/16"H x 8-9/16"W x 2-7/8"D

MODEL 820W

8" Two-Way In-Wall Speaker
1" Soft Dome Tweeter
8 Ohm Impedance/86dB Sensitivity
33Hz-20kHz Frequency Response
60 Watts RMS/200 Watts Total
14-1/16"H x 10-1/16"W x 3-1/2"D

MODEL 502W

5-1/4" Two-Way In-Wall Speaker
1/2" Polycarbonate Dome Tweeter
8 Ohm Impedance/84dB Sensitivity
53Hz-20kHz Frequency Response
45 Watts RMS/140 Watts Total
11"H x 7-1/2"W x 2-1/2"D

MODEL 602W

6-1/2" Two-Way In-Wall Speaker
1/2" Polycarbonate Dome Tweeter
8 Ohm Impedance/85dB Sensitivity
43Hz-20kHz Frequency Response
50 Watts RMS/160 Watts Total
12-1/16"H x 8-9/16"W x 2-7/8"D

MODEL 600WM

6-1/2" Water Resistant Co-Axial In-Wall Speaker
1/2" Polycarbonate Dome Tweeter
8 Ohm Impedance/88dB Sensitivity
64Hz-20kHz Frequency Response
35 Watts RMS/140 Watts Total
8-5/8"H x 8-5/8"W x 2-3/4"D

SPEAKER/AMPLIFIER SELECTOR

LPS-600

Accommodates up to 6 pair of speakers
Handles up to 250 Watts/channel continuous (RMS)
Impedance Protection Circuitry
Low profile-full size component
Two-piece, plug in connectors on the rear panel
Accommodates up to 14 gauge wire
TV-5 UL Approved Switches
A/B Amplifier and Input Selector

ACCESSORIES

VC-30B/VC-30W

Decora-Style Volume Control (Bone or White)
10 Step 25 Watts per channel (RMS) 150 Watts Peak

AB-1SB/AB-1SW

Decora-Style A/B Switch (Bone or White)

PCK65C

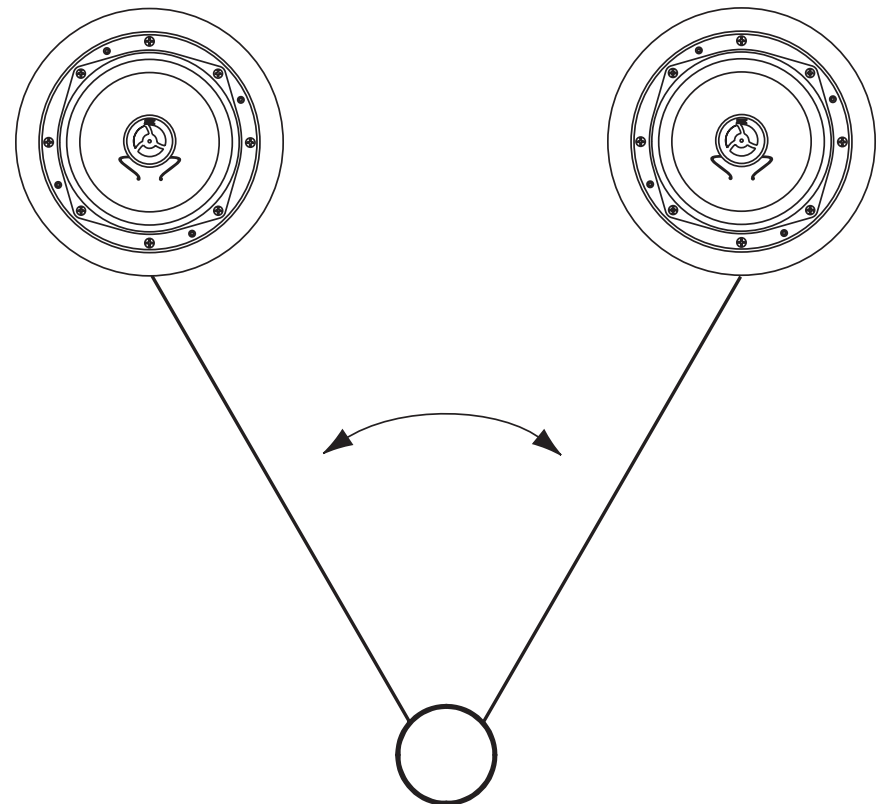
Pre-Construction Kit for Model 610RCM

PCK85C

Pre-Construction Kit for Model 810RCM

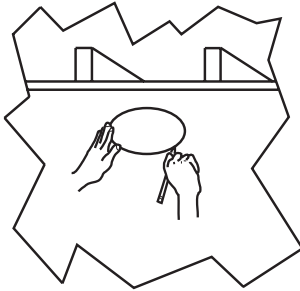
LOUDSPEAKER PLACEMENT

Blueprint Series Loudspeakers are designed to work within any interior decorating scheme. They can be installed in virtually any location where flush mounting is possible. To maximize their sound performance however certain guidelines should be followed. For the best stereo reproduction the two loudspeakers should be placed an equal distance from your listening position and separated so that the angle between them, at the listening position, is between 40 and 60 degrees.



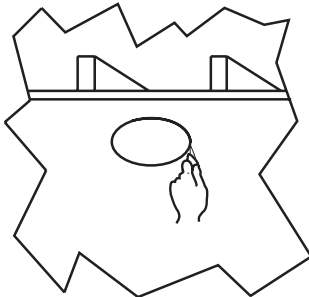
STEP 1

Using a stud finder (available at low cost at most hardware stores) or other accurate method, locate center point between two joists and mark. Using template provided, trace hole pattern on surface of ceiling.



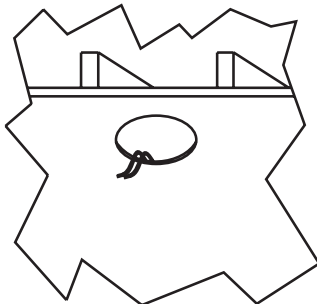
STEP 2

Using a sabre saw, keyhole saw or very sharp utility knife, cut hole in wall, following traced pattern.



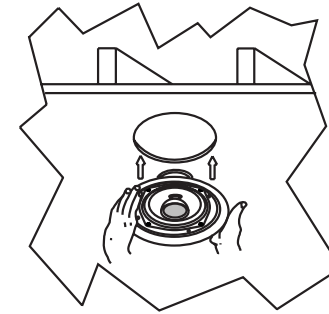
STEP 3

Run loudspeaker wires to sound source location. There are several methods you can use to accomplish wiring, depending on the construction characteristics of the room or house. You can add a professional touch to your installation by using a speaker terminal plate at the source location. Leave sufficient amount of wire at speaker location (8 to 10 inches) to complete connection.



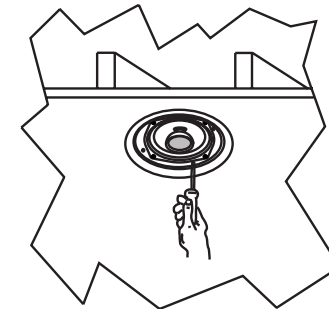
STEP 4

Attach loudspeaker wires to speaker terminals, observing correct polarity, and position speaker frame up into cutout. Be careful not to pinch wires in the process.



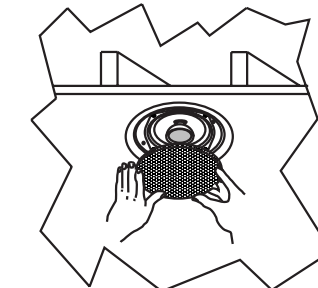
STEP 5

Carefully tighten the four mounting screws. This will cause the mounting wings to rotate out behind the mounting surface and secure the speaker in place.



STEP 6

After the speaker panel is secured tightly, test for sound. When you are satisfied the speaker is operational, affix grill. The Model 510CM grill can be installed into the speaker frame for either a standard flush mount cosmetic appearance or a recessed look similar to a coilex type of light fixture. After deciding which look is preferred press the grill into the frame until the leading edge is flush.



Free Manuals Download Website

<http://myh66.com>

<http://usermanuals.us>

<http://www.somanuals.com>

<http://www.4manuals.cc>

<http://www.manual-lib.com>

<http://www.404manual.com>

<http://www.luxmanual.com>

<http://aubethermostatmanual.com>

Golf course search by state

<http://golfingnear.com>

Email search by domain

<http://emailbydomain.com>

Auto manuals search

<http://auto.somanuals.com>

TV manuals search

<http://tv.somanuals.com>