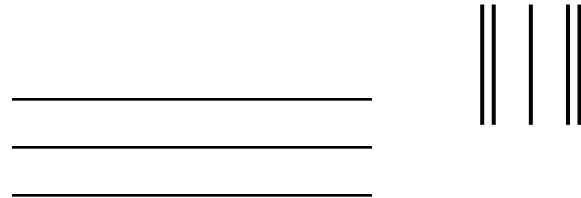
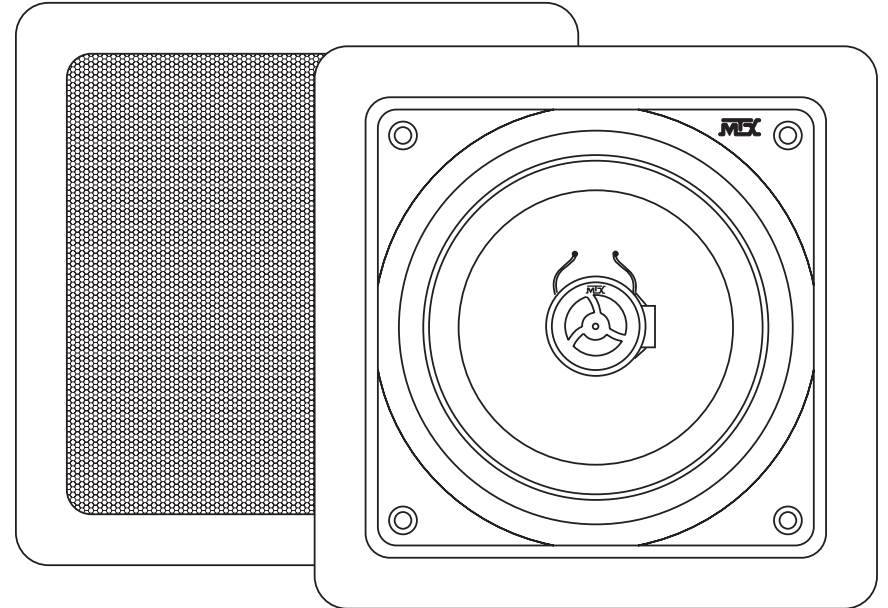

MX Blueprint[®] series



FIRST
CLASS
STAMP
HERE

MODEL 600WM

**WATER RESISTANT
IN CEILING LOUDSPEAKER**

OWNERS MANUAL

MX
4545 E BASELINE RD
PHOENIX AZ 85040-6400



CONGRATULATIONS

We appreciate your choice of MTX Blueprint Series In-Wall Loudspeakers. Properly installed and operated, MTX In-Wall Loudspeakers should provide years of worry-free listening pleasure. It's important that you follow each step in this guide carefully to insure proper installation. If you have any questions regarding MTX In-Wall Loudspeakers, please call us at 1-800-223-5266.

SPECIFICATIONS

Frequency Response	64Hz-20kHz
Impedance	8 Ohms
Nom. Power Handling	35 Watts RMS
Total Power Handling	140 Watts
Sensitivity	88dB
Woofer Diameter	6-1/2" (butyl surround)
Magnet Weight	10 oz.
Tweeter	Polycarbonate Dome
Crossover Frequency	6500Hz
Mounting Depth	2-3/4"
Height	8-11/16"
Width	8-11/16" Encapsulated Magnet Structure Insulated Tweeter Leads Aluminum Grill Stainless Steel Screws

Specifications subject to change without notice.

PAINTING YOUR MTX IN-WALLS

MTX In-Wall speakers are designed to accept all types of interior and exterior paints. Spray or roller application should provide excellent results. A paint shield is included with all Blueprint Series In-Wall speakers to protect the speakers during the painting process.

WARRANTY

MTX Blueprint Series In-Wall Loudspeakers are guaranteed against defects in parts and workmanship for a period of ten (10) years from the date of purchase. Speakers found defective during that period will be repaired by MTX without charge for parts.

This warranty is void if it is determined that unauthorized parties have attempted repairs or alterations of any nature. Before assuming that a defect is present in the loudspeakers, be certain that all associated equipment is operating properly.

If a defect is present, your authorized MTX dealer may be able to effect repairs. If not, you are responsible for providing transportation to the factory. Your MTX dealer can recommend the safest method of transportation. Proof of purchase is required when requesting service, so please retain your sales slip.

Specifications subject to change without notice.

(Cut out on dotted line and mail to address on reverse side.)

WARRANTY REGISTRATION

To register your purchase and insure your investment, please fill out and return this card.

NAME _____ AGE _____

ADDRESS _____

MODEL PURCHASED _____ MODEL 600WM

DATE PURCHASED _____

DEALER NAME _____

PURPOSE: Main Music Listening Background Video/surround

Other _____

ROOM(S) INSTALLED _____

INSTALLED BY _____

HOW DID YOU FIRST LEARN OF MTX IN-WALLS?

Dealer Friend Magazine Radio Newspaper Other

COMMENTS _____

OTHER BLUEPRINT SERIES PRODUCTS FROM MTX

MTX offers a wide assortment of audio components. Ranging from in-wall speakers to amplifiers to accessories. Each component is value engineered and must meet strict quality control standards before it becomes part of the MTX product line.

Listed below you will find a sampling of MTX components available from your authorized Blueprint Series dealer.

IN-WALL LOUDSPEAKERS

MODEL 520W

5-1/4" Two-Way In-Wall Speaker
1" Soft Dome Tweeter
8 Ohm Impedance/84dB Sensitivity
53Hz-20kHz Frequency Response
50 Watts RMS/160 Watts Total
11"H x 7-1/2"W x 2-1/2"D

MODEL 620W

6-1/2" Two-Way In-Wall Speaker
1" Soft Dome Tweeter
8 Ohm Impedance/85dB Sensitivity
43Hz-20kHz Frequency Response
55 Watts RMS/180 Watts Total
12-1/16"H x 8-9/16"W x 2-7/8"D

MODEL 820W

8" Two-Way In-Wall Speaker
1" Soft Dome Tweeter
8 Ohm Impedance/86dB Sensitivity
33Hz-20kHz Frequency Response
60 Watts RMS/200 Watts Total
14-1/16"H x 10-1/16"W x 3-1/2"D

MODEL 502W

5-1/4" Two-Way In-Wall Speaker
1/2" Polycarbonate Dome Tweeter
8 Ohm Impedance/84dB Sensitivity
53Hz-20kHz Frequency Response
45 Watts RMS/140 Watts Total
11"H x 7-1/2"W x 2-1/2"D

MODEL 602W

6-1/2" Two-Way In-Wall Speaker
1/2" Polycarbonate Dome Tweeter
8 Ohm Impedance/85dB Sensitivity
43Hz-20kHz Frequency Response
50 Watts RMS/160 Watts Total
12-1/16"H x 8-9/16"W x 2-7/8"D

SPEAKER/AMPLIFIER SELECTOR

LPS-600

Accommodates up to 6 pair of speakers
Handles up to 250 Watts/channel continuous (RMS)
Impedance Protection Circuitry
Low profile-full size component
Two-piece, plug in connectors on the rear panel
Accommodates up to 14 gauge wire
TV-5 UL Approved Switches
A/B Amplifier and Input Selector

ACCESSORIES

VC-30B/VC-30W

Decora-Style Volume Control (Bone or White)
10 Step 25 Watts per channel (RMS) 150 Watts Peak

AB-1SB/AB-1SW

Decora-Style A/B Switch (Bone or White)

PCK65C

Pre-Construction Kit for Model 610RCM

PCK85C

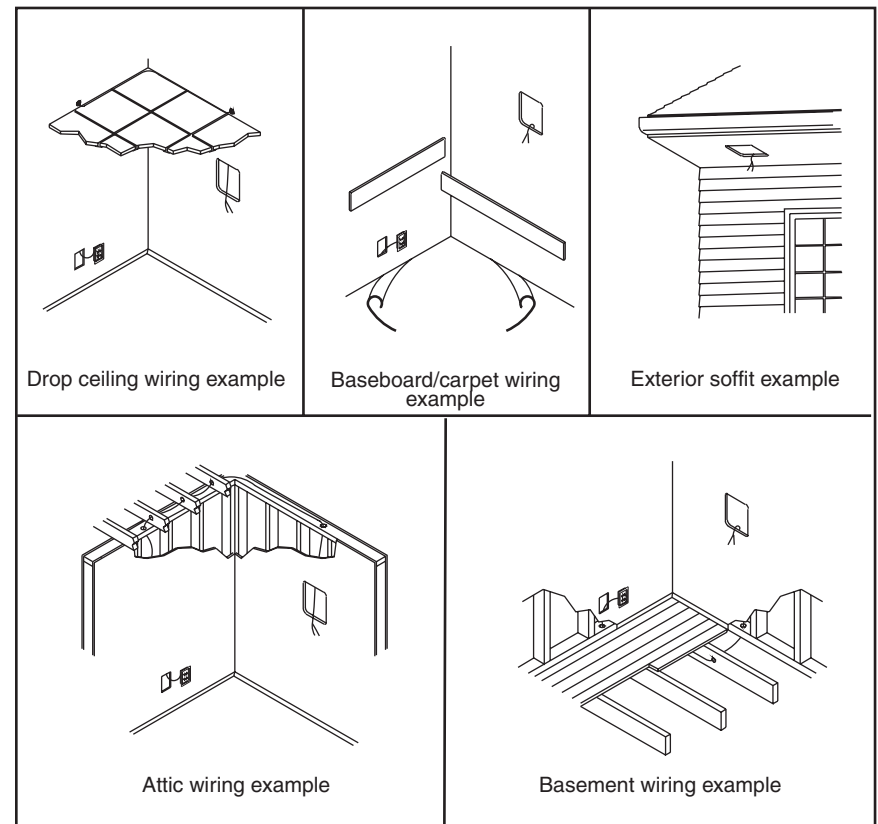
Pre-Construction Kit for Model 810RCM

THE MODEL 600WM WATER RESISTANT LOUDSPEAKER

The MODEL 600WM is specifically designed for use in areas where moisture is present, such as bath, sauna, hot tub area, patio, poolside and other exterior applications. If you are planning an installation of this type, we strongly recommend the MODEL 600WM Water Resistant Loudspeaker.

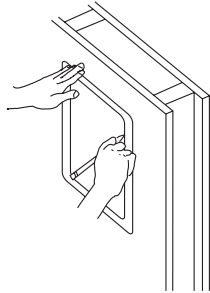
LOUDSPEAKER PLACEMENT

MTX In-Walls can be positioned virtually anywhere you desire sound. Important considerations are room layout, furniture arrangement, location of audio/video equipment and daily foot traffic within the room/house. MTX In-Walls are designed to be installed between wall studs, so avoid locations next to doors, windows or other construction that may present difficulties. If used for video, In-Walls should be placed at least six feet away from your video screen, to avoid magnetic interference.



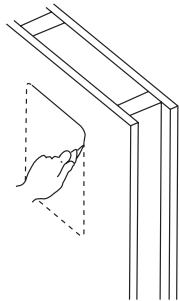
STEP 1

Using a stud finder (available at low cost at most hardware stores) or other accurate method, locate center point between two studs and mark. Using template provided, trace hole pattern on surface of wall. Placing a bubble level on either the horizontal or vertical guidelines of template will assist you in leveling hole pattern.



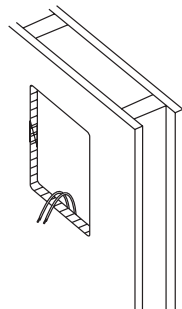
STEP 2

Using a sabre saw, keyhole saw or very sharp utility knife, cut hole in wall, following traced pattern.



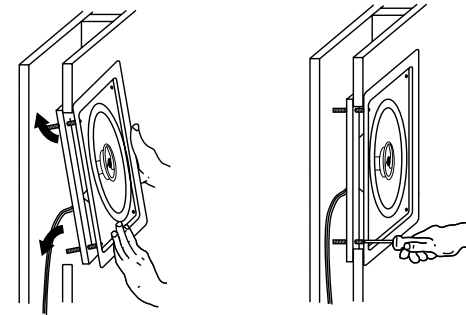
STEP 3

Run loudspeaker wires to sound source location. There are several methods you can use to accomplish wiring, depending on the construction characteristics of the room or house (see Loudspeaker Placement). You can add a professional touch to your installation by using a speaker terminal plate at the source location. Leave sufficient amount of wire at speaker location (8 to 10 inches) to complete connection.



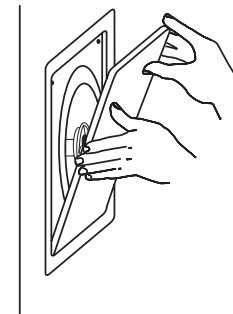
STEP 4

Attach loudspeaker wires to speaker terminals, observing correct polarity, and position speaker frame assembly to hole as shown. Insert top of mounting frame into hole at top. By moving bottom of frame upwards, you should now be able to insert bottom of frame into hole at bottom. Be careful not to pinch wires in the process. Tighten long screws. Use a level during tightening to insure straightness of final position.



STEP 5

After the speaker panel is secured tightly, test for sound. When you are satisfied the speaker is operational, affix grill. As grill is designed for a snug fit, you'll need to position one edge into slot first, and press or squeeze around perimeter of grill, while pushing leading edges into grill slot.



Free Manuals Download Website

<http://myh66.com>

<http://usermanuals.us>

<http://www.somanuals.com>

<http://www.4manuals.cc>

<http://www.manual-lib.com>

<http://www.404manual.com>

<http://www.luxmanual.com>

<http://aubethermostatmanual.com>

Golf course search by state

<http://golfingnear.com>

Email search by domain

<http://emailbydomain.com>

Auto manuals search

<http://auto.somanuals.com>

TV manuals search

<http://tv.somanuals.com>