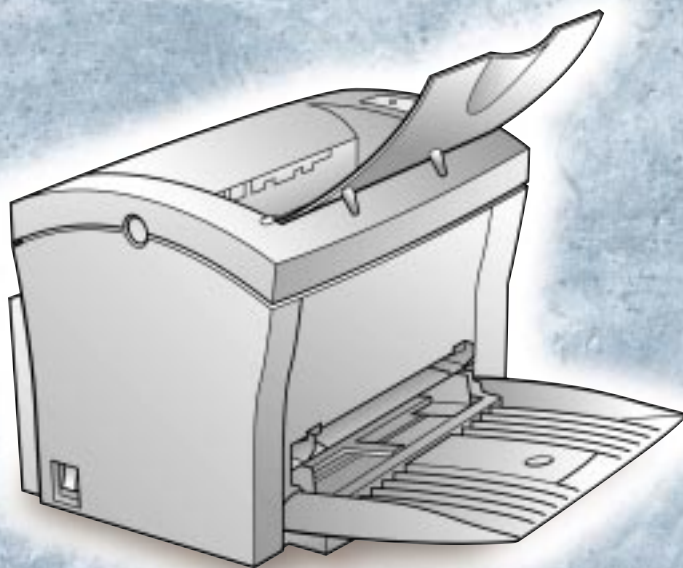
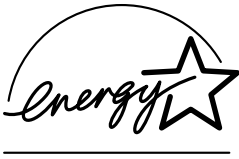




PagePro 1100

User's Manual





As an ENERGY STAR[®] Partner, we determined that this machine meets the ENERGY STAR[®] Guidelines for energy efficiency.

What is an ENERGY STAR[®] product?

ENERGY STAR[®] product has a special feature that allows it to automatically switch to a “low-power mode” after a period of inactivity. An ENERGY STAR[®] product uses energy more efficiently, saves you money on utility bills and helps protect the environment.

Safety Information

Laser Safety

This is a page printer which operates by means of a laser. There is no possibility of danger from the laser, provided the printer is operated according to the instructions in this manual.

Since radiation emitted by the laser is completely confined within protective housing, the laser beam cannot escape from the machine during any phase of user operation.

Internal Laser Radiation

Maximum Radiation Power:

0.6 mW at laser aperture of the print head unit

Wavelength:

770 – 810 nm

This product employs Class IIIb Laser Diode that emits an invisible laser beam.

Laser Diode and Scanning Polygon Mirror are incorporated in the print head unit.

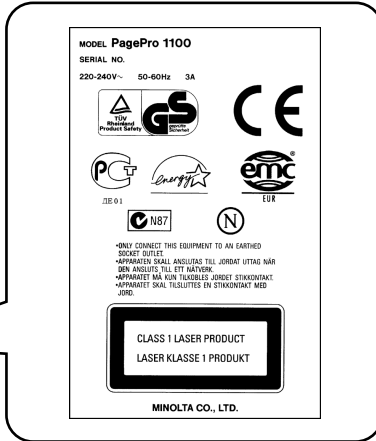
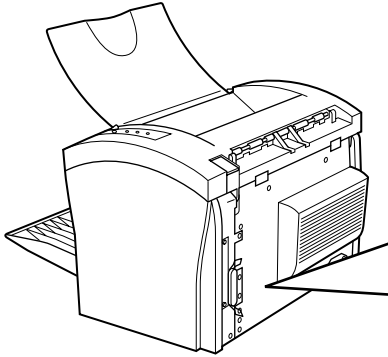
The print head unit is not a field service item.

Therefore, the print head unit should not be opened under any circumstance.

Laser Safety

This printer is certified as a Class I Laser product under the **U.S. Department of Health and Human Services (DHHS)** Radiation Performance Standard according to the Radiation Control for Health and Safety Act of 1968. This means that the printer does not produce hazardous laser radiation.

Laser Safety Label



For European Users

Caution

- ◆ Use of controls, adjustments or performance of procedures other than those specified in this manual may result in hazardous radiation exposure.

This is a semiconductor laser. The maximum power of the laser diode is 5 mW and the wavelength is 770 – 810 nm.

For Denmark Users

ADVARSEL

- ◆ **Usynlig laserstråling ved åbning, når sikkerhedsafbrydere er ude af funktion. Undgå udsættelse for stråling.**
Klasse 1 laser produkt der opfylder IEC60825 sikkerheds kravene.

Dansk: Dette er en halvlederlaser. Laserdiodens højeste styrke er 5 mW og bølgelængden er 770 – 810 nm.

For Finland, Sweden Users

LUOKAN 1 LASERLAITE
KLASS 1 LASER APPARAT

VAROITUS!

- ◆ **Laitteen käyttäminen muulla kuin tässä käyttöohjeessa mainitulla tavalla saattaa altistaa käyttäjän turvallisuusluokan 1 ylittävälle näkymättömälle lasersäteilylle.**

Tämä on puolijohdelaser. Laserdiodin suurin teho on 5 mW ja aallonpituus on 770 – 810 nm.

VARNING

- ◆ **Om apparaten används på annat sätt än i denna bruksanvisning specificerats, kan användaren utsättas för osynlig laserstrålning, som överskrider gränsen för laserklass 1.**

Det här är en halvledarlaser. Den maximala effekten för laserdioden är 5 mW och våglängden är 770 – 810 nm.

VARO

- ◆ **Avattaessa ja suojalukitus ohitettaessa olet alttiina näkymättömälle lasersäteilylle. Älä katso säteeseen.**

VARNING

- ◆ **Osynlig laserstrålning när denna del är öppnad och spärren är urkopplad. Betrakta ej strålen.**

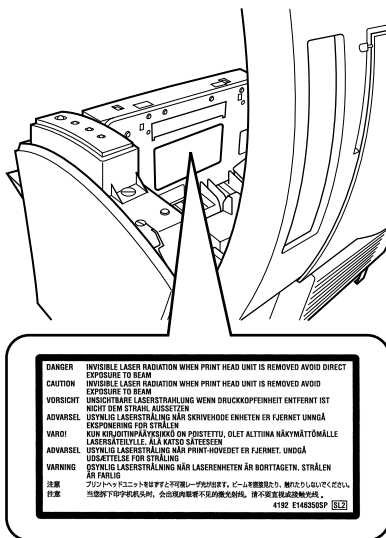
For Norway Users

ADVARSEL

- ◆ Dersom apparatet brukes på annen måte enn spesifisert i denne bruksanvisning, kan brukeren utsettes for usynlig laserstråling som overskrider grensen for laser klass 1.

Dette en halvleder laser. Maksimal effekt till laserdiode er 5 mW og bølgelengde er 770 – 810 nm.

Laser Caution Label



User Instructions

CE Marking (Declaration of Conformity)

We declare under our sole responsibility that the printer and options to which this declaration relates are in conformity with the specifications below.

This declaration is valid for the area of the European Union (EU) only.

Product Type	Laser Beam Printer
Product Name	PagePro 1100
Options	Second Paper Cassette Unit (4148-601) Face-Up Tray (4121-0633) Network Interface Card (4625-131) Expansion Memory (DIMM)
Standard	<p>Safety: EN60 950/1992 with Amendments 1, 2, 3 and 4 Safety of information technology equipment, including electrical business equipment EN60825-1/1994 with Amendment A11 Radiation safety of laser products, equipment classification, requirements and user's guide EMC: EN55 022 (Class B)/1998 Limits and method for measurement of radio disturbance characteristic of information technology equipment (ITE) EN55024/1998 Information technology equipment – immunity characteristics – Limits and methods of measurement EN61000-4-2/1995 Electromagnetic compatibility (EMC) Part 4: Testing and measurement techniques Section 2: Electrostatic discharge immunity test EN61000-4-3/1996 Electromagnetic compatibility (EMC) Part 4: Testing and measurement techniques Section 3: Radiated, radio-frequency electromagnetic field immunity test EN61000-4-4/1995 Electromagnetic compatibility (EMC) Part 4: Testing and measurement techniques Section 4: Electrical fast transient/burst immunity test EN61000-4-5/1995 Electromagnetic compatibility (EMC) Part 4: Testing and measurement techniques Section 5: Surge immunity test EN61000-4-6/1996 Electromagnetic compatibility (EMC) Part 4: Testing and measurement techniques Section 6: Conducted disturbances induced by radio-frequency fields – Immunity test EN61000-4-8/1993 Electromagnetic compatibility (EMC) Part 4: Testing and measurement techniques Section 8: Power-frequency magnetic field immunity test EN61000-4-11/1994 Electromagnetic compatibility (EMC) Part 4: Testing and measurement techniques Section 11: Voltage dips, short interruptions and voltage variations immunity test</p>
EC Directive	<p>Safety: 73/23/EEC EMC: 89/336/EEC and 93/68/EEC</p>

Foreword

This device must be used with shielded interface (Parallel) cable and shielded network (10/100Base-T) cable.

The use of non-shielded cable is likely to result in interference with radio communications and is prohibited under 89/336/EEC rules.

Ozone Release

During printer operation, a small quantity of ozone is released. This amount is not large enough to harm anyone adversely. However, be sure the room where the machine is being used has adequate ventilation, especially if you are printing a high volume of materials, or if the machine is being used continuously over a long period.

Welcome

And thank you for selecting a Minolta/QMS PagePro 1100 Printer! This *User's Manual* explains the functions of the printer and how it operates. It also provides you with troubleshooting tips as well as general precautions you should observe when operating the printer. To ensure the top performance and effective use of your printer, read this manual carefully from cover to cover, and keep it at hand for later reference.

No part of this document may be reproduced, transmitted, transcribed, stored in a retrieval system, or translated into other languages without the express written prior consent of Minolta Co., Ltd..

The contents of this manual are subject to change without notice.

Should there be any discrepancy between the printed materials and the electronic-based resources provided with your printer, please refer to the printed materials as your primary resource.

Trademark Acknowledgments

PCL is a registered trademark of Hewlett-Packard Company.

Centronics is a registered trademark of Centronics Inc.

MS-DOS, Microsoft, Windows, and Windows NT are registered trademarks of Microsoft Corporation.

IBM is a registered trademark of International Business Machines Corporation.

PagePro is a trademark of Minolta in Europe, Japan and Asia.

Fine-ART and Fine Micro Toning are trademarks of Minolta Co., Ltd.

QMS and the QMS logo are registered trademarks of QMS, Inc.

All other brand or product names are trademarks or registered trademarks of their respective companies or organizations.

CONTENTS

Chapter 1: Introduction

Features.....	1-1
Hardware.....	1-1
Software	1-1
Operating System	1-1
Printer Parts and Accessories	1-2
Printer.....	1-2
Options.....	1-4
Control Panel	1-5
Indicators.....	1-5
Panel Button.....	1-6

Chapter 2: Setting-Up

Installation Precautions	2-1
Selecting a Location for the Printer	2-1
Space Requirements.....	2-2
Power Source	2-3
Grounding	2-4
Operational Precautions	2-5
Operating Environment	2-5
Printer.....	2-5
Printer Supplies.....	2-7

Installing	2-8
Setting-Up	2-11
Connecting the Power Cord	2-11
Loading Paper	2-12
Turning on the Printer.....	2-14
Testing the Printer	2-15
Connecting to a Computer	2-17
Options	2-18
Second Paper Cassette Unit	2-18
Face-Up Tray	2-21
Expansion Memory	2-23
Network Interface Card	2-27
 Chapter 3: Using the Printer	
Using the Panel Button	3-1
Counter Reset Mode	3-1
Job Cancel	3-2
Print Configuration Page	3-2
Form Feed.....	3-2
Printing Paper	3-3
Type.....	3-3
Size	3-4
Printable Area	3-6
Loading Paper	3-7
Loading Paper onto Tray1	3-8

Manual Loading (Manual Feed Tray)..... 3-10

Loading Paper onto Tray2 (Option) 3-13

**Selecting Output Direction (Printed Side
Up or Down) 3-17**

Chapter 4: Printer Driver

Introduction..... 4-1

System Requirements..... 4-2

**Installing the PagePro 1100 Printer Driver
Under Windows 95/Windows 98/Windows**

NT 4.0..... 4-3

To Install the PagePro 1100 Printer Driver
Using the Installer (Auto Run) 4-4

To Install the PagePro 1100 Printer Driver
Using Plug-and-Play 4-8

To Install the PagePro 1100 Printer Driver
Using the Add Printer Wizard..... 4-10

**Installing the PagePro 1100 Printer Driver
Under Windows 3.1 4-12**

To Install the PagePro 1100 Printer
Driver..... 4-12

**Displaying the PagePro 1100 Printer Driver
Setup Dialog..... 4-16**

To Display the Printer Driver Setup Dialog
Under Windows 95/Windows 98 4-16

To Display the Printer Driver Setup Dialog
Under Windows NT 4.0 4-18

To Display the PagePro 1100 Printer Driver
Setup Dialog Under Window 3.1 4-21

Using the PagePro 1100 Printer Driver

Setup Dialog..... 4-23

Common Buttons 4-23

Paper 4-24

Page Layout 4-30

Quality 4-36

Device Option..... 4-38

Uninstalling the Printer Driver..... 4-39

To Uninstall the PagePro 1100 Printer Driver
(Windows 95/Windows 98/Windows
NT 4.0) 4-39

To Uninstall the PagePro 1100 Printer Driver
(Windows 3.1) 4-40

DOS Printing Utilities 4-41

Installing DOS Printing Utilities 4-41

Loading and Unloading the Status
Monitor 4-42

Accessing the Printer Control Panel 4-44

Using the Printer Control Panel..... 4-45

Printer Control Panel Screens..... 4-50

Using the Status Display 4-58

Chapter 5: Printer Status Monitor and Control Panel

Using the Status Monitor 5-1

Starting Up the Status Monitor 5-1

Using the Status Monitor 5-4

Using the Control Panel 5-6

Starting Up the Control Panel 5-6

Using the Control Panel 5-6

Chapter 6: Maintenance

Replacing the Toner Cartridge 6-1

To Replace the Toner Cartridge 6-1

To Reset the Counter of the Toner
Cartridge 6-6

Replacing the Drum Cartridge 6-7

To Replace the Drum Cartridge 6-7

To Reset the Counter of the Drum
Cartridge 6-14

Cleaning the Printer 6-15

Cleaning the Outside of the Printer 6-15

Cleaning the Paper Feed Roller 6-16

Chapter 7: Troubleshooting

Clearing a Paper Misfeed 7-1

Inside the Printer 7-1

Face-Down Tray 7-6

Face-Up Tray (option) 7-7

Tray1	7-8
Manual Feed Tray	7-8
Second Paper Cassette Unit (option)	7-9
Print Quality Problems	7-10
No Output	7-15
Indicator Lights (Printer Messages)	7-17
Indicator Light Patterns	7-17
<i>Chapter 8: Specifications</i>	
PagePro 1100 Printer	8-1
Second Paper Cassette Unit (Option)	8-4
Expansion Memory (DIMM: option)	8-5
Interface Connector and Cable	8-6
<i>Appendix A: Glossary</i>	
<i>Appendix B: Index</i>	

MEMO



Chapter
Introduction

1

Features

Hardware

- Compact design
- PCL 6 emulation
- Real 600 dpi resolution
- Prints up to 10 pages per minute (A4/Letter-size print)
- Compact, easy to install toner and drum cartridges
- Fine Micro Toning cartridges for clearer and sharper images
- Fine-ART technology for resolution that actually exceeds 600 dpi
- High speed performance

Software

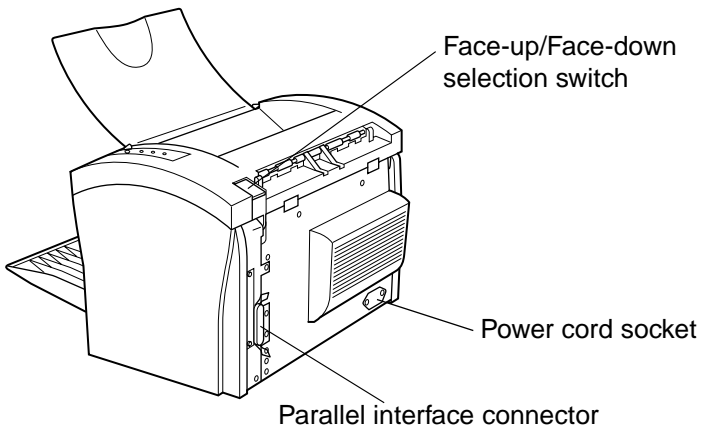
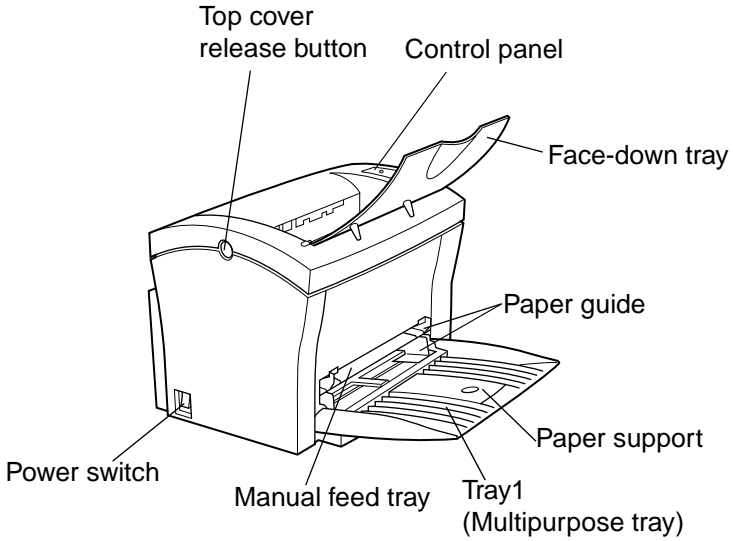
- Easy to use networking
- Special features like watermark printing, image shift and N-up printing
- Windows printer status monitor – Displays simultaneous printer status information as well as reports the progress of the current print job

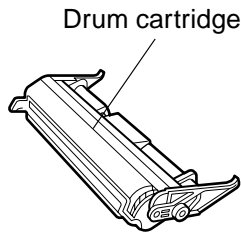
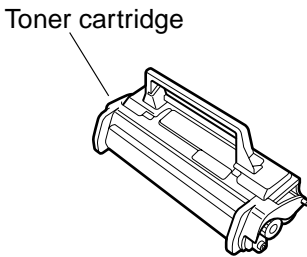
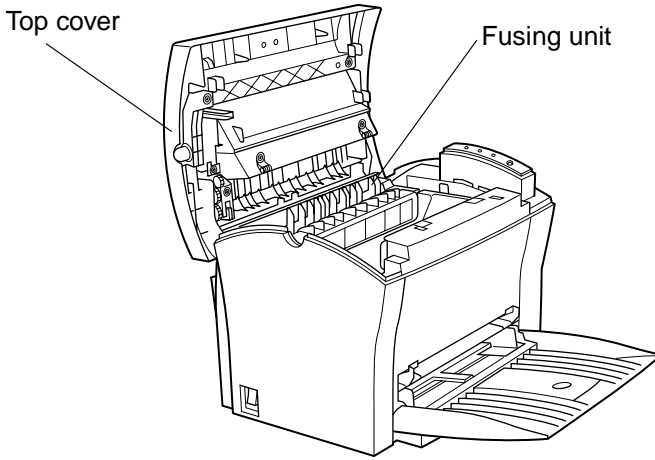
Operating System

- Windows 95
- Windows 98
- Windows 3.1x
- Windows NT 4.0
- MS-DOS 5.0 or later (except version 7.0)

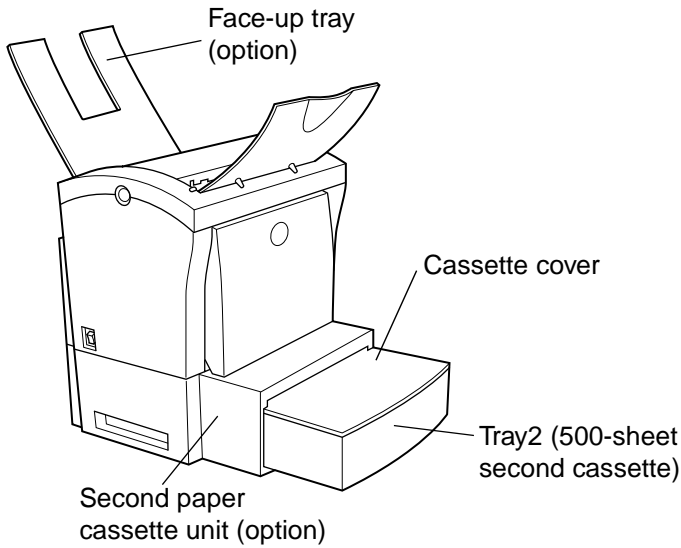
Printer Parts and Accessories

Printer



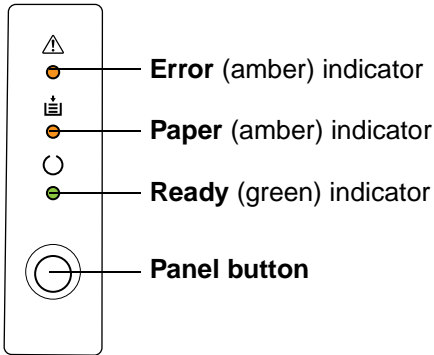


Options



Control Panel

The control panel has three indicators and one button.



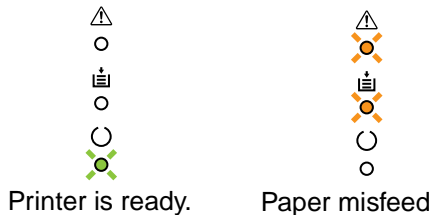
Indicators

The three indicators turn on, off, or blink in combination to let you know the current status of the printer.

Note

- ◆ You can find out details of the printer's status by checking the information that appears on your computer screen (see "Starting Up the Status Monitor" on page 5-1).
- ◆ See "Indicator Lights (Printer Messages)" on page 7-17 for information about how the control panel indicators indicate the current status of the printer.

ex.)



Panel Button

The panel button can be used to perform various operations according to the status of the printer.

- Reset the counter
- Job cancel
- Print configuration page
- Form feed

For details, see “Using the Panel Button” on page 3-1.

Chapter
Setting-Up

2

Installation Precautions

Note the following important precautions when selecting a location for the printer and when connecting it to a power source.

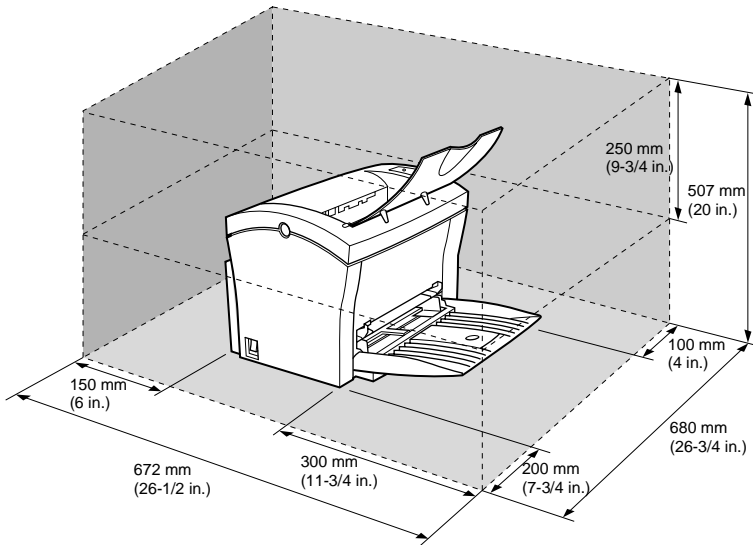
Selecting a Location for the Printer

A proper location helps to ensure that your printer provides you with the long service life for which it is designed. Double-check to make sure that the location you select has the following characteristics.

- Choose a location that is well-ventilated.
- Make sure there is no chance of ammonia or other organic gasses being generated in the area.
- The power outlet you plan to connect to for power should be nearby and unobstructed.
- Make sure that the printer is not exposed to direct sunlight.
- Avoid areas in the direct airflow of air conditioners, heaters, or ventilators, and areas subjected to temperature and humidity extremes.
- Choose a sturdy, level surface where the printer will not be exposed to strong vibration.
- Keep the printer away from any objects that might block its heat vents.
- Do not locate the printer near curtains or other combustible objects.
- Choose an area where there is no possibility of the printer being splashed with water or other liquids.
- Make sure that the surrounding area is clean, dry, and free of dust.

Space Requirements

Be sure to provide space around the printer as indicated below, to ensure easier printer operation, paper and toner replacement, and maintenance.



Power Source

The following are the power source requirements for this printer.

Power supply:

220 – 240 V at 50 – 60 Hz

Voltage fluctuation:

220 – 240 V $\pm 10\%$

Frequency fluctuation:

Within ± 3 Hz

Note

- ◆ Use a power source with minimal voltage and frequency fluctuation.
- ◆ Only use an outlet that is rated for the voltage capacity specified for this printer.
- ◆ Be sure to plug the power cord all the way into the outlet. The outlet should be located near the printer and be easily accessible so you can unplug the power cord immediately should any problem occur.
- ◆ Make sure the outlet you use is visible, and not hidden behind the printer or any other object.
- ◆ If any other electrical equipment is plugged into the same outlet, make sure that the capacity of the outlet is not exceeded.
- ◆ If you use an extension cord, make sure its capacity is greater than the power consumption of the printer. Using an extension cord with a lower capacity creates the danger of fire.
- ◆ Never use a multiple socket to connect other appliances or machines to the same outlet being used to power the printer.

Grounding

Always ground the printer to guard against the danger of electrical shock. To ground the printer, connect the grounding wire to the ground terminal of the electrical outlet you are plugging in to or to a grounding contact that complies with local electrical standards in your area.

Note

- ◆ Never connect the grounding wire to a gas pipe, the grounding wire for a telephone, or to a water pipe.

Operational Precautions

Note the following important precautions whenever using the printer.

Operating Environment

The following describes the operating environment required when using the printer.

Temperature:

10°C to 35°C (50°F to 95°F) with fluctuation of 10°C (18°F) per hour

Humidity:

15% to 85% with fluctuation of 20% per hour

Printer

The following describes precautions for using the printer.

- Never turn the printer off or open any of its covers during a print operation.
- Never place flammable gasses, liquids or objects that generate magnetic forces near the printer.
- When unplugging the power cord, always grasp the plug and never pull on the cord. A damaged cord creates the danger of fire or electrical shock.
- Never touch the power cord when your hands are wet. Doing so creates the danger of electrical shock.
- Always unplug the power cord before moving the printer. Failure to do so can damage the power cord, creating the danger of fire or electrical shock.
- Always unplug the power cord if you do not plan to use the printer for a long time.
- Never try to remove any secured panel or cover. The interior of the printer contains high-voltage circuitry which creates the danger of electrical shock when exposed.

Operational Precautions

- Never try to modify the printer. Doing so creates the danger of fire or electrical shock.
- Never place any heavy objects on the power cord, pull on it or bend it. Doing so creates the danger of fire or electrical shock.
- Always make sure the printer is not placed on the electrical cord or the communications cables of any other electrical equipment. Also make sure that cords and cables do not get into the printer's mechanism. Any of these conditions create the danger of malfunction and fire.
- Always take care so that paper clips, staples, or other small pieces of metal do not get into the printer through its vents or other openings. Such objects create the danger of fire or electrical shock.
- Do not allow water or other liquids to spill on or near the printer. Fire or electrical shock can occur should water or liquid come into contact with the printer.
- Should liquid or any piece of metal accidentally get inside the printer, immediately turn it off, unplug the power cord, and contact your dealer. Failure to take this immediate action creates the danger of fire or electrical shock.
- Whenever the printer emits unusually high amounts of heat, smoke, an unusual odor, or noise, immediately turn it off, unplug it, and contact your dealer. Failure to take this immediate action creates the danger of fire or electrical shock.

Caution

- ◆ **Be sure to locate the printer in a well-ventilated location. A minimal amount of ozone is generated during normal operation of this printer. Because of this, an unpleasant odor may result when the printer is used for extensive printing in a poorly ventilated area. For comfortable, healthy, and safe operation, be sure to locate the printer in a well-ventilated area.**

Attention

- ◆ **Placer l'imprimante dans une pièce largement ventilée**
Une quantité d'ozone négligable est dégagée pendant le fonctionnement de l'imprimante quand celle-ci est utilisée normalement. Cependant, une odeur désagréable peut être ressentie dans les pièces dont l'aération est insuffisante et lorsqu'une utilisation prolongée de l'imprimante est effectuée. Pour avoir la certitude de travailler dans des conditions de confort, santé et sécurité, il est préférable de bien aérer la pièce où se trouve l'imprimante.

Printer Supplies

Note the following precautions when handling printer supplies such as the toner cartridge, the drum cartridge, and paper.

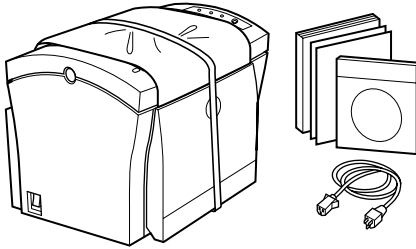
- Avoid storing printer supplies in the following locations.
 - Areas subjected to direct sunlight. Additionally, the drum cartridge must be protected from fluorescent light.
 - Areas exposed to open flame.
 - Areas subjected to high humidity.
 - Areas subjected to large amounts of dust.
- Keep paper that has been removed from its wrapper, but not yet loaded onto the printer tray, in a sealed plastic bag and store it in a cool, dark location.
- Use only the toner cartridge that is expressly specified for this printer.
- Keep supplies out of the reach of children.
- Should your hands become soiled with toner, immediately wash them with soap and water.

Caution

- ◆ **Whenever you remove the drum cartridge from the printer, immediately wrap it with a cloth to protect it against overexposure to light.**

Installing

1 Take the items and accessories shown below out of the carton.



1. Printer
2. Accessories
 - User's Guide
 - CD-ROM
 - Power cord
 - Warranty booklet
 - Registration card

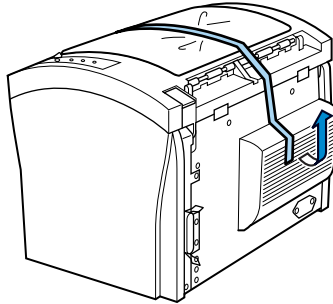
Caution

- ◆ After unpacking, keep all packing materials out of the reach of children.

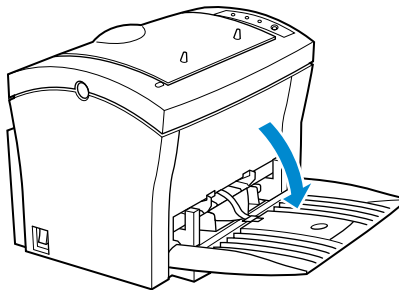
Note

- ◆ Keep all the boxes and packing materials that the printer comes in for later use when transporting the printer.

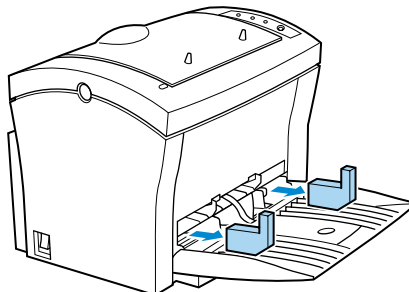
- 2 Remove the plastic bag and peel off the shipping tape from the printer.



- 3 Pull **Tray1** from the printer with both hands and lie it down flat.

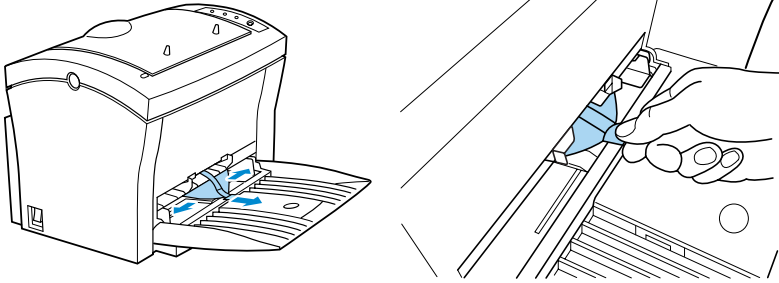


- 4 Pull out the two cushions from the paper feed inlet.



Installing

- 5 Squeeze the right paper size guide and open the paper size guides. Pull out the plastic-lead strip from the paper feed inlet.



For instructions on installing the optional item(s), see “Options” on page 2-18.

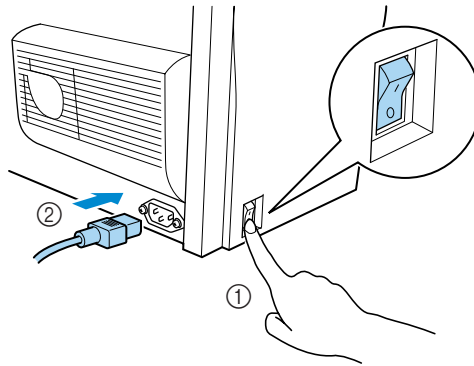
Setting-Up

Set-up the printer according to the following instructions.

For instructions on installing the optional item(s), see “Options” on page 2-18.

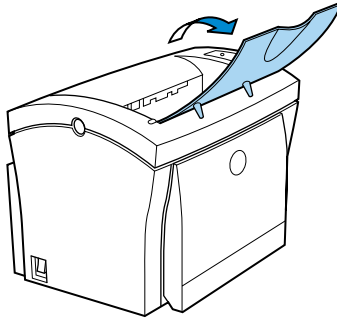
Connecting the Power Cord

- 1 Make sure that the **power** switch is in the \bigcirc (Off) position.
- 2 Connect one end of the power cord that comes with the printer to the power cord socket. Plug the other end into a power outlet.

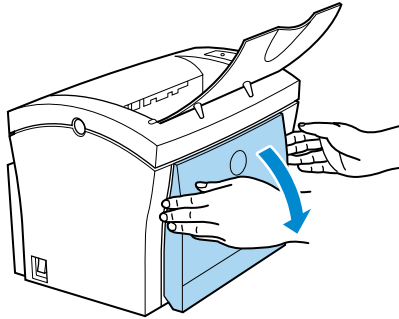


Loading Paper

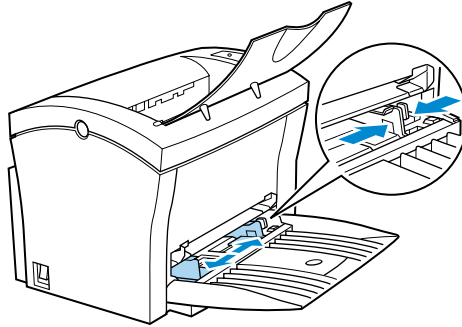
- 1 Open the **face-down tray**.



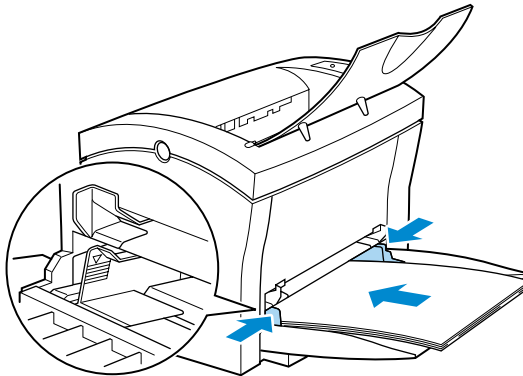
- 2 Pull **Tray1** from the printer with both hands and lie it down flat.



- 3 Squeeze the right paper guide and open the paper guides.

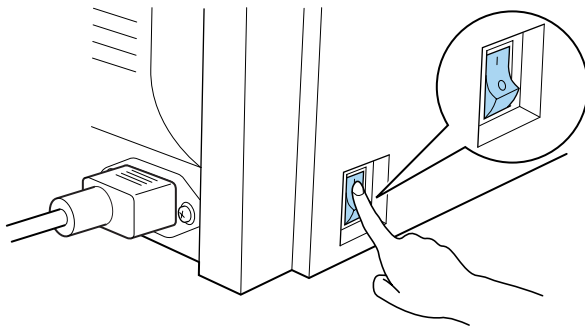


- 4 Place a stack of paper in the center of **Tray1**. Squeeze the right paper guide and adjust the paper guides so that both the left and right sides of the paper stack are secure.



Turning on the Printer

- After connecting the printer to a power outlet, press the **power** switch to turn it on.



Turning on the printer causes all the indicators on the control panel to light, which indicates that the printer is warming up. In about 23 seconds or less, only the **Ready** indicator remains lit, indicating that the printer is ready to print.

Note

- ◆ The printer automatically enters a power saving mode after a set period of time in which it does not receive a print command from the computer. The default setting is 15 minutes, however, the time period can be changed using the control panel (see “Using the Control Panel” on page 5-6). Whenever the printer receives a print command while in the power saving mode, it will automatically start to warm up before printing.

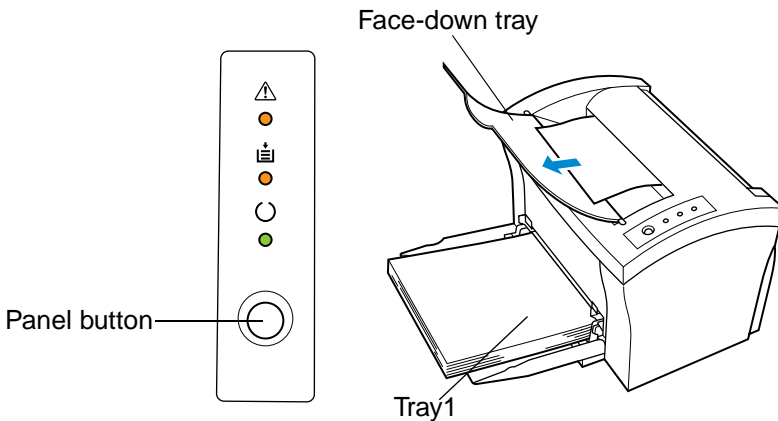
Testing the Printer

Perform the following procedure to print a configuration page and see if the printer is working correctly.

Note

- ◆ See “No Output” on page 7-15 for information on what to do if the configuration page does not print when you press the **panel button**.

- 1 Place the A4 size paper onto **Tray1**.
- 2 Make sure that both the **Paper** and **Error** indicators are off, and the **Ready** indicator is on. This indicates there is no existing error condition and no data remaining to be printed.
- 3 Briefly press the **panel button** to start the configuration page print operation.



Sample Configuration Page

Minolta Page Pro 1100 Configuration Page	
<p>Paper Setting</p> <p>Default Paper Size = A4 Default Tray = AUTOMATIC Tray1 Setting = MULTIPLE Paper Time Out = NO</p>	<p>Option</p> <p>Network Card = Not Installed 2nd Tray = Not Installed</p>
<p>Font Setting</p> <p>Type Face = Courier Symbol Set = ROMAN-8 Font Size = 10.00 pitch</p>	<p>Counter</p> <p>Total Count = 66 Drum Count = 26 Toner Count = 26 Tray1 Count = 51 Tray2 Count = 11</p>
<p>Quality Setting</p> <p>Toner Save = OFF Fine-Art = MEDIUM Printable Resolution = 600 dpi Toner Density = MEDIUM</p>	<p>Configuration</p> <p>Tray2 Paper Size = Unknown Tray1 Paper Size = A4 Controller FW Version = 1999.08.25 Total Memory = 20 [M Byte]</p>
<p>I/O Setting</p> <p>I/O Time Out = 15 SEC</p>	
<p>Printer Setting</p> <p>Auto-Continue = OFF Copies = 1 Orientation = Portrait Line/Page = 64 Page Protection = AUTO Detect Size Error = ON Fast Print = FAST Power Save = 15 Minutes</p>	

Connecting to a Computer

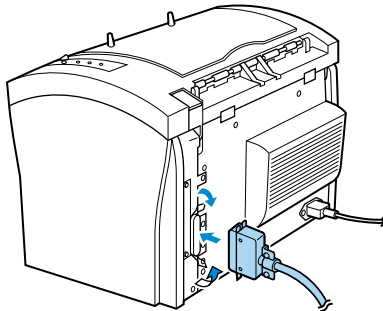
Caution

- ◆ Always use a shielded interface cable. Use of an unshielded cable can result in radio interference with data.

Note

- ◆ You must purchase an IEEE 1284 type-B cable for connection between the printer and a computer. For detailed specifications of the interface cable, see “Interface Connector and Cable” on page 8-6.
- ◆ Minolta does not warrant the use of any particular cable. The user assumes all responsibility as to the quality and performance of the cable.

- 1 Make sure that the printer and the computer you are connecting it to are both turned off.
- 2 Connect one end of the interface cable to the parallel port of the computer.
- 3 Connect the other end of the interface cable to the parallel interface connector on the back of the printer. Secure the interface cable using the two clips on the parallel interface connector.



Options

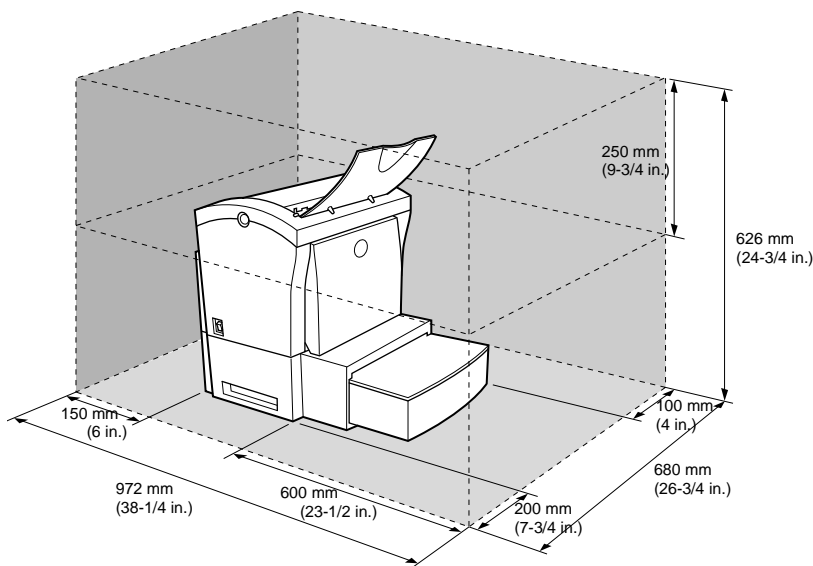
This section describes the optional items that are available for this printer.

Second Paper Cassette Unit

The **second paper cassette unit** comes equipped with a cassette that can hold up to 500 sheets of A4 size paper called **Tray2**.

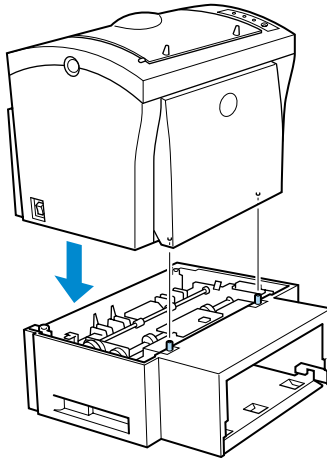
The same unit can accommodate a variety of other paper trays as well (Letter, JIS B5, Legal, Executive). Contact your dealer to find out how you can add these trays to increase the capabilities of your printer.

Space Requirements



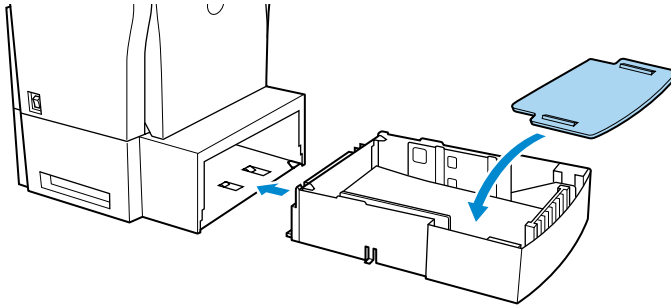
Installing the Second Paper Cassette Unit

- 1 Remove the **second paper cassette unit** and **Tray2** from their packaging, including the protective tape used to hold the various components in place.
- 2 Place the printer on top of the base unit. Make sure to align the coupling pins of the base unit with the holes located underneath the printer.



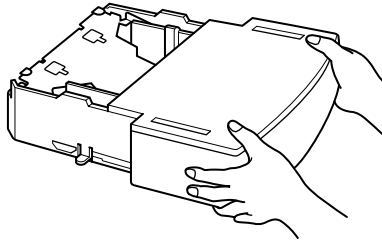
- 3 Load paper onto **Tray2**. See “Loading Paper onto Tray2 (Option)” on page 3-13 for details.

- 4 Replace the cassette cover and insert **Tray2** into the **second paper cassette unit**.



Note

- ◆ Be sure to use both hands whenever **Tray2** is removed from or inserted into the **second paper cassette unit**.



Face-Up Tray

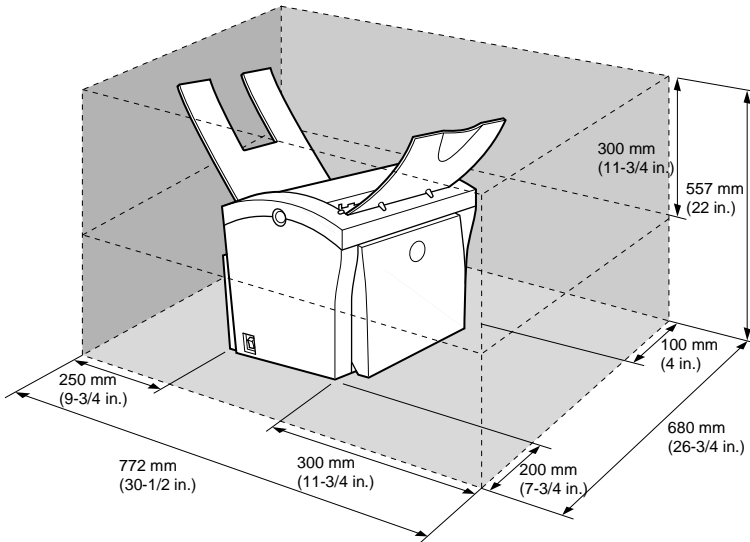
This **face-up tray** receives printed pages, printed side up, as they are output from the printer. Printed pages are not rolled during the printer's output sequence when this tray is used. For this reason, the **face-up tray** is recommended for thick paper or envelopes to avoid curling during the feeding process.

The maximum capacity of the **face-up tray** is 20 sheets.

Note

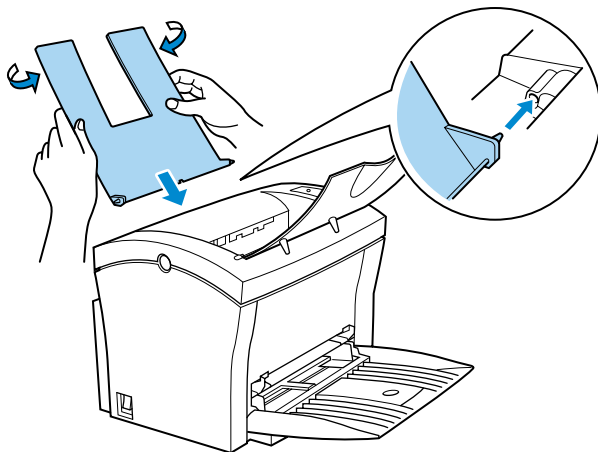
- ◆ For details on changing the output direction, see “Selecting Output Direction (Printed Side Up or Down)” on page 3-17.

Space Requirements



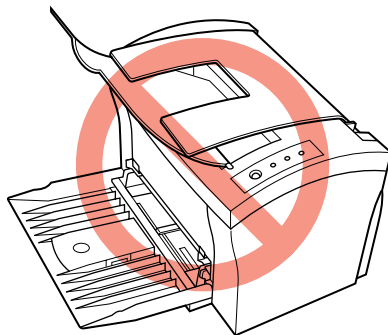
Installing the Face-Up Tray

- 1 Remove the **face-up tray** from its carton.
- 2 Gently bend the output tray inwards, toward the printer, with both hands. Align the insertion pins of the tray with the pin holders of the printer.



Note

- ◆ Never lay the **face-up tray** towards the front of the printer or apply excessive to it.



Expansion Memory

You can avoid many errors caused by data overload by installing sufficient memory into the printer.

This printer comes with 4 MB of memory. You can increase memory capacity up to 132 MB by installing an optional 16, 32, 64 or 128 MB **expansion memory (DIMM)** into the printer.

DIMMs are available from most computer retailers.

Note

- ◆ Use only PC/100 compliant DIMMs.

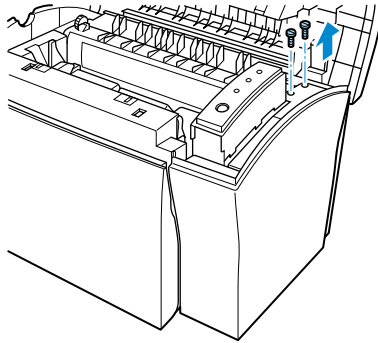
Installing the Expansion Memory

Warning

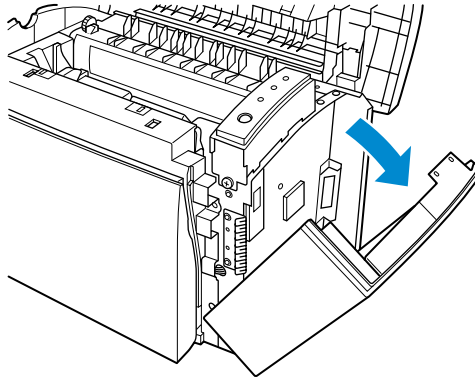
- ◆ **Electric shock hazard! Do not remove any cover of the printer that is not directly specified for removal in the *User's Manual*.**

- 1 Turn off the printer and unplug the power cord.
- 2 Disconnect the printer cable from the printer.
- 3 Press the **top cover release button** and open the **top cover**.

- 4 Remove the two screws that hold the **side cover** of the printer in place with a screwdriver.



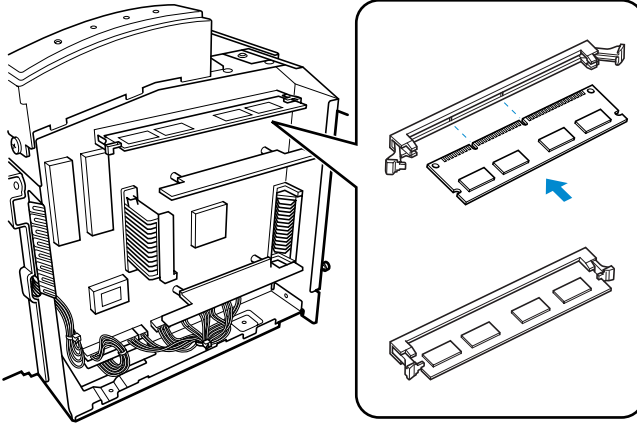
- 5 Remove the **side cover**.



Caution

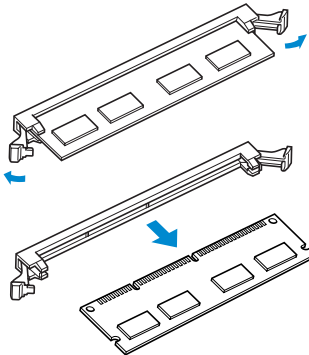
- ◆ Do not touch any part of the main circuit inside the printer.

- 6 Being careful not to touch the connection points along the edge of the **expansion memory**, insert the board into the socket on the main circuit. Apply pressure until the **expansion memory** locks into place.

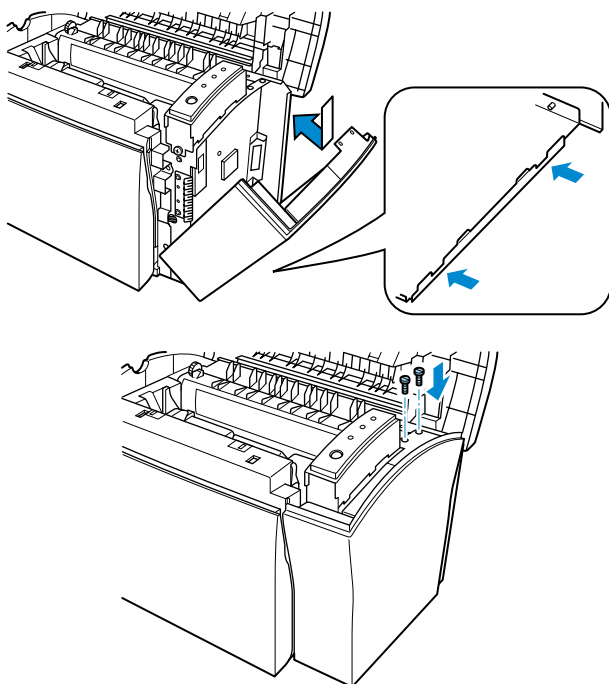


Tip

- ◆ To remove the **expansion memory** from the main circuit, press the taps on each side of the socket to release the **expansion memory**.



- 7 Replace the **side cover** using the two screws provided to secure it in place.



- 8 Print a configuration page “Testing the Printer” on page 2-15 and check to confirm that the “Total Memory” item correctly shows the increase in memory capacity. If it does not, repeat the above steps making sure that the **expansion memory** is installed correctly.

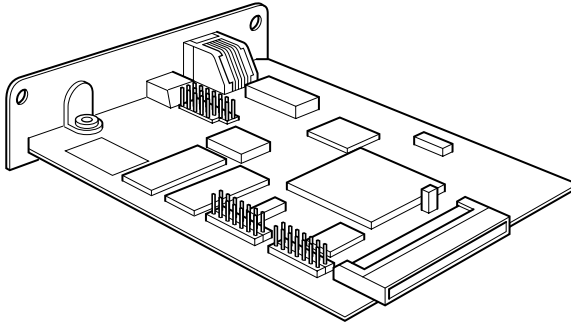
Note

- ◆ Once the **expansion memory** has been installed, be sure to reset the Printer Memory Setting to reflect the new memory capacity.

Network Interface Card

The **network interface card** is equipped with a 10/100BASE-T interface connector for connection to the network server.

Refer to the *Network Interface Card User's Manual* for detail.



MEMO

Chapter 2

Setting-Up



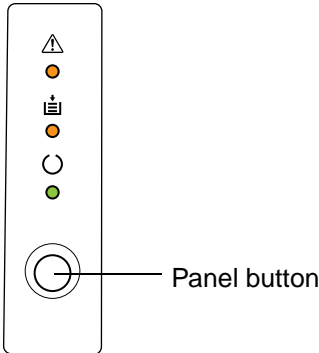
Chapter

Using the Printer

3

Using the Panel Button

The **panel button** can be used to perform various operations according to the status of the printer.



Counter Reset Mode

Use the following procedure whenever you want to reset the counter.

- 1 Turn off the printer.
- 2 While holding down the **panel button**, turn on the printer.
- 3 Keep the **panel button** held down, and the **Ready** indicator will start to blink. After the **Ready** indicator has blinked for about 5 seconds, release the **panel button**. This should cause all the indicators to start to blink.
- 4 After all the indicators blink, the printer enters the counter reset mode. See “To Reset the Counter of the Toner Cartridge” on page 6-6 and “To Reset the Counter of the Drum Cartridge” on page 6-14 for details.

Job Cancel

Use the following procedure whenever you want to cancel the current job.

- 1 Hold down the **panel button** for more than 5 seconds.
- 2 After all the indicators are lit, release the **panel button** to cancel the print job.

Print Configuration Page

Use the following procedure whenever you want to configuration for printer.

- Press the **panel button** while printer is idle without any errors and job requests. See “Testing the Printer” on page 2-15 for details.

Form Feed

Use the following procedure to resume printing after an error occurs dues to any one of the following causes.

- Print job is too complex.
 - Memory overflow
 - Almost out of paper
 - Wrong size paper was fed into the printer.
- Press the **panel button** to perform a form feed.

Printing Paper

Type

Caution

◆ This printer is designed to print on only the following types of paper.

Paper Source		Manual Feed Tray	Tray1	Tray2
Paper Type				
Plain Paper weight: 60 to 90 g/m ² (16 to 24 lbs.)		<input type="radio"/>	<input type="radio"/>	<input type="radio"/>
Recycled Paper weight: 60 to 90 g/m ² (16 to 24 lbs.)		<input type="radio"/>	<input type="radio"/>	<input type="radio"/>
Special Paper	Transparency Sheet	<input type="radio"/>	<input type="radio"/>	None
	Labels	<input type="radio"/>	<input type="radio"/>	None
	Letterhead	<input type="radio"/>	<input type="radio"/>	None
	Envelopes	<input type="radio"/>	<input type="radio"/>	None
	Thick Paper weight: 90 to 163 g/m ² (24 to 43-1/4 lbs.)	<input type="radio"/>	<input type="radio"/>	None

Size

Caution

◆ This printer is designed to print on only the following sizes of paper.

Standard sizes

Paper Source		Manual Feed Tray	Tray1	Tray2* ¹
Paper Size				
Standard Size	A4 210 mm × 297 mm	○	○	○* ²
	A5 148 mm × 210 mm	○	○	None
	JIS B5 182 mm × 257 mm	○	○	○
	Legal 8-1/2 in. × 14 in.	○	○	○
	Letter 8-1/2 in. × 11 in.	○	○	○
	Executive 7-1/4 in. × 10-1/2 in.	○	○	○

*1. Each of the 5 cassettes of Tray2 support one of the 5 types of paper that are compatible with this printer.

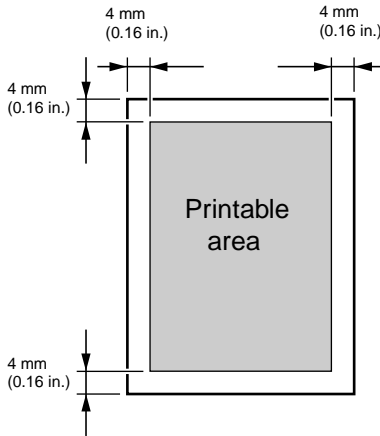
*2. A4 is standard cassette size for the second paper cassette unit.

Envelope and Custom Size

Paper Source		Manual Feed Tray	Tray1	Tray2
Paper Size				
Envelope and Custom Size	Env. DL 110 mm × 220 mm	<input type="radio"/>	<input type="radio"/>	None
	Env. C5 162 mm × 229 mm	<input type="radio"/>	<input type="radio"/>	None
	Env. B5 176 mm × 250 mm	<input type="radio"/>	<input type="radio"/>	None
	Env. Com10 4-1/8 in. × 9-1/2 in.	<input type="radio"/>	<input type="radio"/>	None
	Env. Monarch 3-7/8 in. × 7-1/2 in.	<input type="radio"/>	<input type="radio"/>	None
	Custom Size 76 mm to 216 mm (3 in. to 8-1/2 in.) × 127 mm to 356 mm (5 in. to 14 in.)	<input type="radio"/>	<input type="radio"/>	None

Printable Area

This printer is designed to print on paper with a 4 mm (0.16 in.) margin on all sides.



Loading Paper

The following sources can be used to feed paper into the printer:

- Tray1
- Manual feed tray
- Tray2 (option)

Tray1 is the standard source for supplying paper to the printer. Various types and sizes of paper can be fed from this tray.

You can also add **Tray2** as a secondary paper source. See “Second Paper Cassette Unit” on page 2-18 for details on using this tray unit.

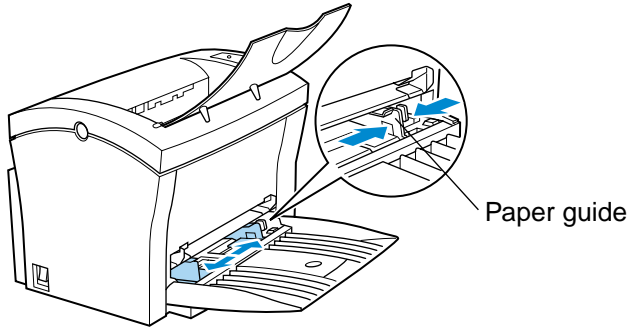
Whenever you are using special size paper, be sure to use the printer driver installed on the computer to specify the printing area. You may experience some variation in print quality when using special size paper.

Always remember that paper storage conditions greatly affect print quality. Store paper in its original package. Keep paper out of areas subject to extreme temperatures or humidity.

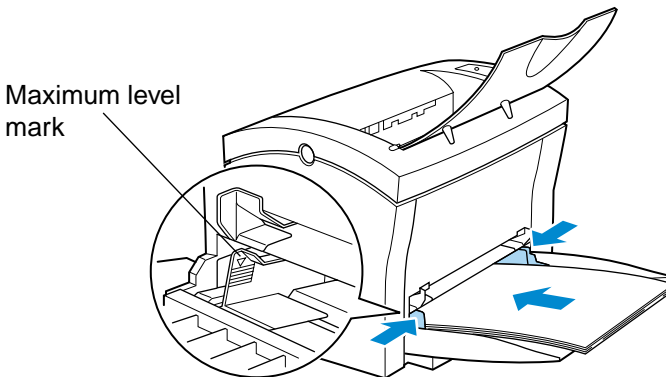
Loading Paper onto Tray1

You can load up to 150 sheets of standard paper onto Tray1. See “Printing Paper” on page 3-3 for details on paper sizes and types.

- 1 Squeeze the right paper guide and open the paper guides.

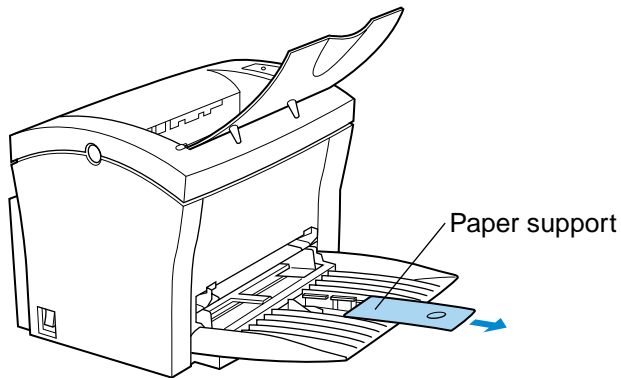


- 2 Place a stack of paper in the center of **Tray1**. Squeeze the right paper guide and adjust the paper guides so that both the left and the right sides of the paper stack are secure.



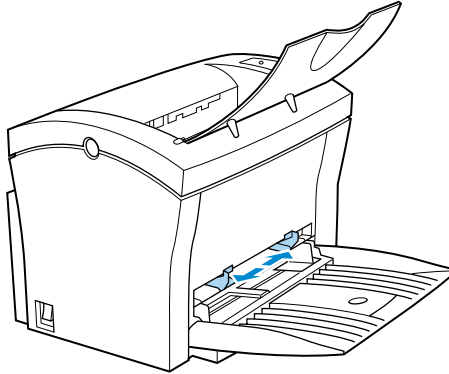
Note

- ◆ A **maximum level mark** on the paper guide shows how high you can stack paper on **Tray1**. Make sure that paper is stacked no higher than this mark.
- ◆ Do not load additional paper until the paper currently loaded onto **Tray1** is completely used.
- ◆ Never load paper while the printer is performing a reset operation. See “Counter Reset Mode” on page 3-1 for details.
- ◆ Pull out the **paper support** in **Tray1** when printing on Legal size paper.

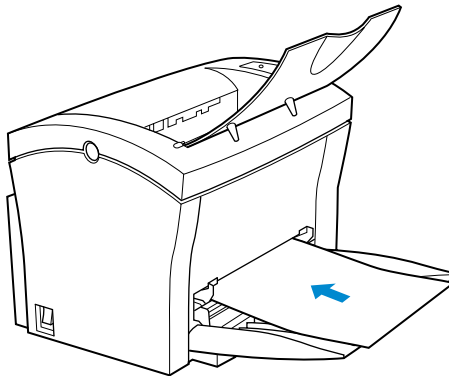


Manual Loading (Manual Feed Tray)

- 1 Open the paper guides.



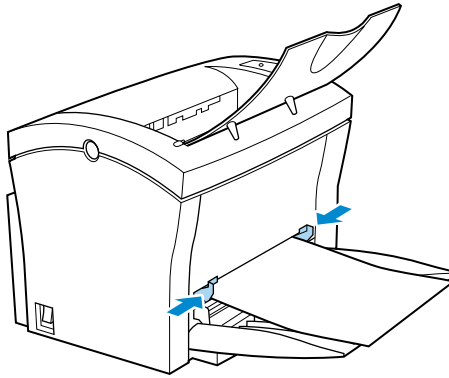
- 2 Insert the sheet of paper into the **manual feed tray** with the side to be printed facing up.



Note

- ◆ Insert only one sheet of paper at a time when feeding manually.

- Adjust the paper guides so that both sides of the paper are secure.



Printing on Envelopes

The manual feed tray supports Commercial 10, Monarch, DL, C5, and B5 envelopes.

Note

- ◆ Because there is great variation in the quality of paper used for envelopes, we suggest that you produce test prints of various types before purchasing any envelope in large quantities for use with this printer.
- ◆ Make sure that all edges are creased sharply and that all flaps are folded correctly.
- ◆ Do not use envelopes that are self-adhesive. Use only envelopes that have standard sealing that sticks after it is moistened.
- ◆ Use envelopes of which flaps run the entire length of the envelope. Envelopes that seal at one end will not feed properly.
- ◆ Do not use envelopes that have a window. Such envelopes can seriously damage the printer.
- ◆ Do not use envelopes that are wrinkled.
- ◆ Never use envelopes that have clasps or any other type of fastener that can damage the printer.
- ◆ Do not store envelopes in an area that is subject to high humidity.

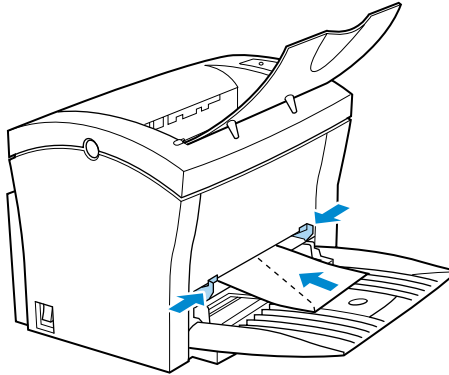
Loading Paper

- 1 Place the envelope with the side to be printed facing up on the tray. The flap of the envelope should be facing down and to the left.

Note

- ◆ Insert only one envelope at a time when feeding manually.

- 2 Make sure that the envelope is placed in the center of the tray and that it is secured by the paper guides.



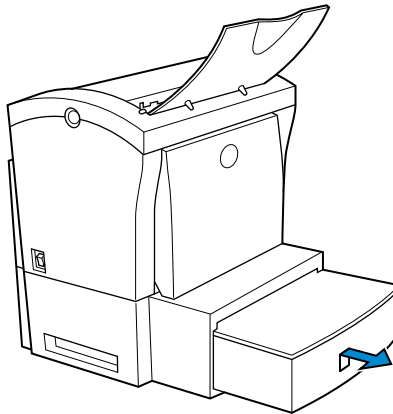
Loading Paper onto Tray2 (Option)

You can load up to 500 sheets of standard paper onto **Tray2**. See “Printing Paper” on page 3-3 for details on paper sizes and types.

Note

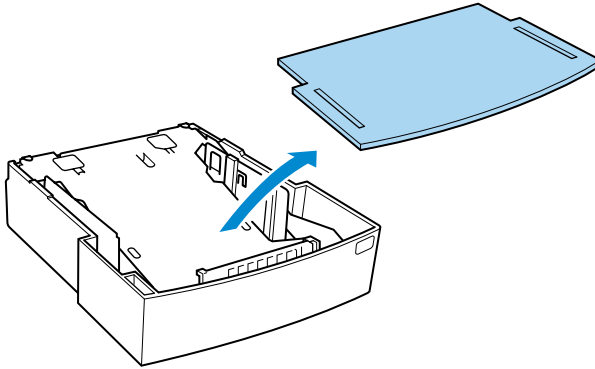
- ◆ Make sure that the **Tray2** for the proper size of paper to be used for printing has been installed into the **second paper cassette unit**. See “Second Paper Cassette Unit” on page 2-18 for instructions on inserting (and removing) the **Tray2** into (and from) the **second paper cassette unit**.
- ◆ To remove **Tray2** from the unit, pull it out as far as it will go without force. Then gently raise the forward-end up, and remove **Tray2** from the unit.

1 Slide **Tray2** out of the **second paper cassette unit**.

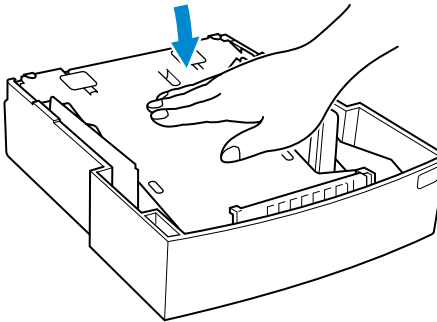


Loading Paper

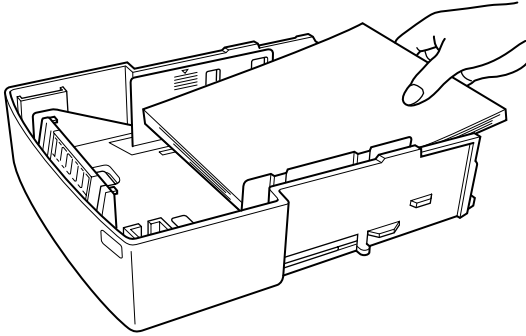
- 2 Remove the cassette cover from **Tray2**.



- 3 Press down on the paper lifting plate located inside of **Tray2** until it locks.

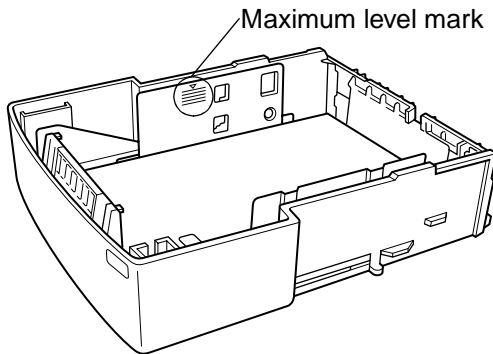


- 4 Place a stack of up to 500 sheets of paper into **Tray2** so that the side that was facing up when the paper was unwrapped is still facing up.



Note

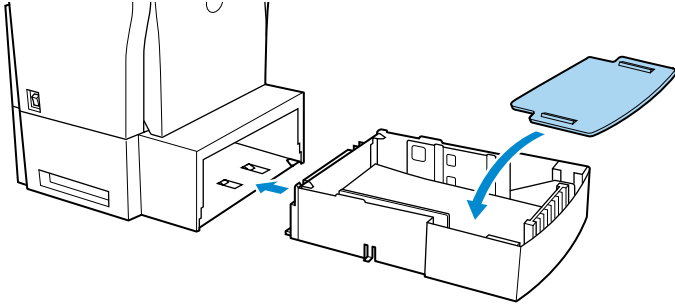
- ◆ A **maximum level mark** inside the inlet of **Tray2** shows how high you can stack paper on **Tray2**. Make sure that paper is stacked no higher than this mark.



- ◆ **Tray2** does not support landscape oriented paper feeding.
- ◆ Do not load additional paper until all the paper currently on **Tray2** is completely used up.

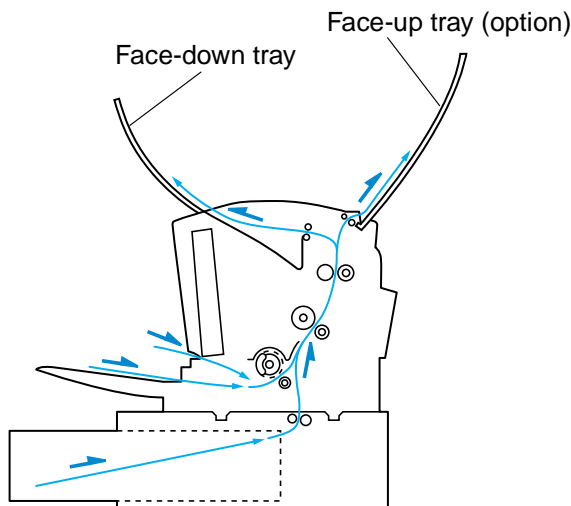
Loading Paper

- 5 Replace the cassette cover and insert **Tray2** into the **second paper cassette unit**.



Selecting Output Direction (Printed Side Up or Down)

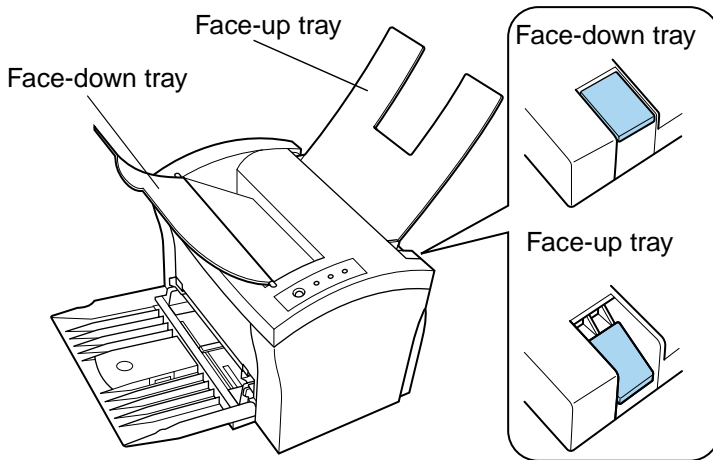
The optional **face-up tray**, as explained earlier in this section is a useful tool for printing on thick paper or envelopes printed side up. The factory default for the output tray however, is the **face-down tray** (printed side down). In this mode, the output tray receives the printed documents in order.



This setting is controlled by a switch which is located on the right side of the printer toward the rear.

- a. When the switch is flush with the top of the printer, prints are output printed side down (factory default).
- b. When the switch is pressed in, prints are output printed side up.

Selecting Output Direction (Printed Side Up or Down)



Note

- ◆ Do not use the switch to change the setting while the printer is operating.
- ◆ Whenever the **face-up tray** is not installed on the printer, check to make sure the set to switch for output to the **face-down tray** (see above illustration).

Chapter

Printer Driver

4

Introduction

The Minolta PagePro 1100 Printer Driver was specially developed to provide true Windows-based and MS-DOS printing for users of the Minolta/QMS PagePro 1100 printer. The PagePro 1100 Printer Driver consists of two programs: Minolta PagePro Printer Driver and the Printer Status Monitor, which also includes a Control Panel.

Printer Driver:

This program is built into the operating system. It controls printer operations and enables proper printing.

Status Monitor:

This program displays information about the current status of the computer's local printer.

Control Panel:

This program displays the current settings of the computer's local printer. You can also use Control Panel to change settings and to reset counters.

System Requirements

The following describes the minimum system requirements that are necessary to correctly run the Minolta PagePro 1100 Printer Driver.

Operating System: Microsoft Windows 95, Windows 98, Windows 3.1, Windows NT 4.0 or MS-DOS

Personal Computer: IBM-compatible PC with at least a 386DX 16MHz CPU (Pentium processor recommended)

CD-ROM drive

I/O Interface: IEEE 1284 parallel

Memory: At least 8MB of PC RAM

Free Disk Space: Approximately 10MB for files

Installing the PagePro 1100 Printer Driver Under Windows 95/Windows 98/ Windows NT 4.0

This section provides information on installing the PagePro 1100 Printer Driver under Windows 95, Windows 98 or Windows NT 4.0.

You can use the following methods to install the PagePro 1100 Printer Driver.

	Windows 95	Windows 98	Windows NT 4.0
Using the auto-run Installer on the CD-ROM	○	○	○
Plug and Play Installation	○	—	—
Using the Add Printer Wizard	○	○	—

○: Available

—: Not available

To Install the PagePro 1100 Printer Driver Using the Installer (Auto Run)

- 1 Turn on your computer and start up Windows 95, Windows 98 or Windows NT 4.0.

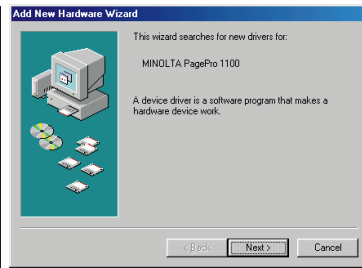
Note

- ◆ Under Windows 95 or Windows 98 when the **Update Device Driver Wizard** or **Add New Hardware Wizard** dialog appears on the display, click **Cancel**.

Windows 95



Windows 98

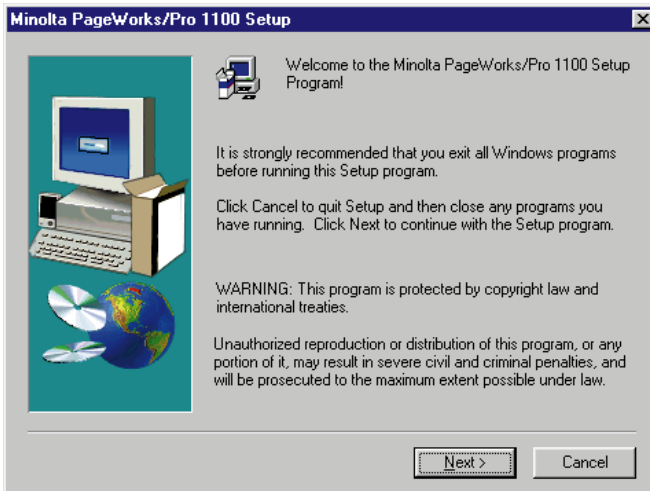


- 2 Insert the CD-ROM labeled **Minolta/QMS PagePro 1100 Printer Drivers** into your computer's CD-ROM drive.
- 3 The opening screen is automatically displayed. Click on the **Printer Driver** menu to start the Installer.

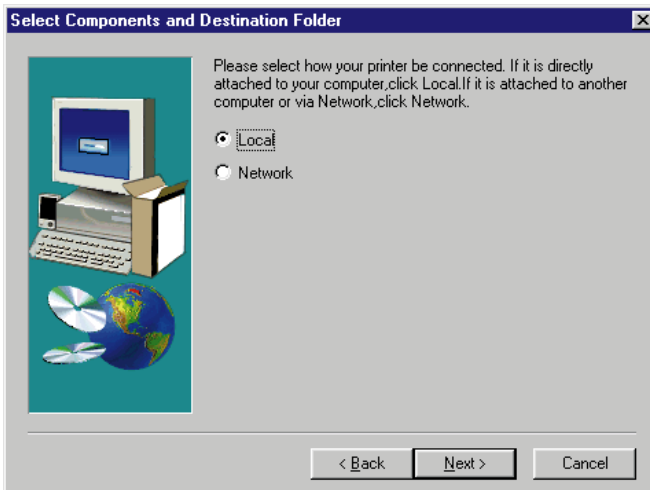
Note

- ◆ The configuration of some computers may prevent the opening screen from appearing automatically. If the screen does not appear, double-click **Setup** from the CD-ROM.

- 4 Follow the instructions that appear on your computer screen to complete the installation.



- 5 When the following dialog appears, select **Local** if the printer is connected directly to your computer or **Network** if the printer is connected through a network. Then click **Next**.



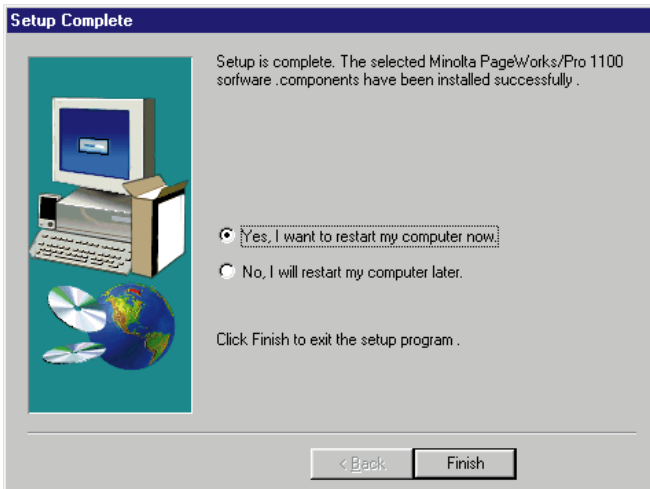
Caution

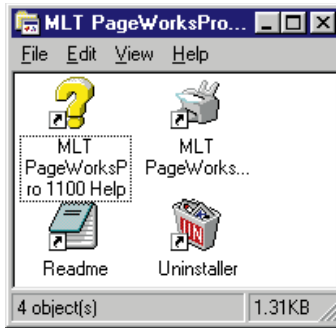
- ◆ If you intend to access the printer from a server running Windows 95, first install the printer's driver from the server using the Installer. The Installer can be accessed through either the autorun program or the Setup file of the CD-ROM.
- ◆ If you find that your printer is unable to print documents in a network environment, set the data-spool format of the client to RAW.

6 After the installation is completed, the following dialog appears. Click **Finish** to close the setup program window.

Note

- ◆ During installation, it may take a moment before the Setup Complete dialog box appears if there was a check beside the **Printer Tools** box in the Select Components and Destination Folder dialog box.

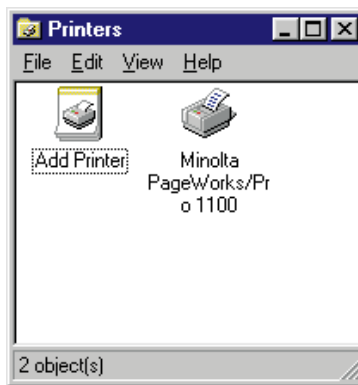




Note

- ◆ It is recommended that you restart your computer after installation.

- 7 Check that the **Minolta PageWorks/Pro 1100** printer icon is displayed in the Printers dialog. To display the Printers dialog, click **Start**, point to **Settings**, and then click **Printers**.



- 8 Eject the CD-ROM labeled **Minolta/QMS PagePro 1100 Printer Drivers** from your computer's CD-ROM drive.

This completes the installation of Minolta PagePro 1100 printer driver.

To Install the PagePro 1100 Printer Driver Using Plug-and-Play

- 1 After connecting the printer to your computer, turn on the printer.
 - See “Connecting to a Computer” on page 2-17 for details on connecting the printer to your computer.
- 2 Turn on your computer and start up Windows 95.
- 3 Continue with step 4 when the **Update Device Driver Wizard** dialog shown below appears.



- 4 Insert the CD-ROM labeled **Minolta/QMS PagePro 1100 Printer Drivers** into your computer’s CD-ROM drive, and then click **Next**.
 - In this example, we assume that **D:** is the name of the CD-ROM drive.
- 5 Click the **Other Locations** button, type **D:\driver\9598addp** and click **OK**.

- 6 Follow the instructions that appear on your computer screen to complete the installation.

Note

- ◆ An opportunity to designate a name for the printer will be provided during the installation procedure.
- ◆ It is recommended that you restart your computer after installation.

- 7 Check that the **Minolta PageWorks/Pro 1100** printer icon is displayed in the Printers dialog. To display the Printers dialog, click **Start**, point to **Settings**, and then click **Printers**.



- 8 Eject the CD-ROM labeled **Minolta/QMS PagePro 1100 Printer Drivers** from your computer's CD-ROM drive. This completes the installation of Minolta PagePro 1100 printer driver.

To Install the PagePro 1100 Printer Driver Using the Add Printer Wizard

- 1 Turn on your computer and start up Windows 95 or Windows 98.

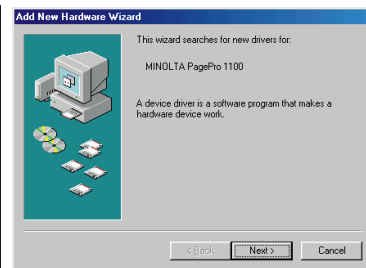
Note

- ◆ Under Windows 95 or Windows 98 when the **Update Device Driver Wizard** or **Add New Hardware Wizard** dialog appears on the display, click **Cancel**.

Windows 95

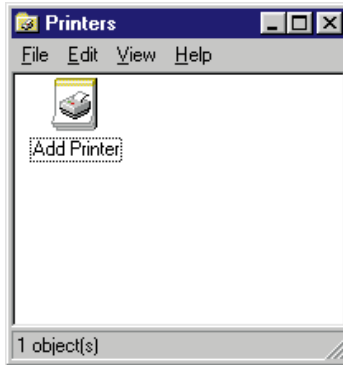


Windows 98



- 2 Insert the CD-ROM labeled **Minolta/QMS PagePro 1100 Printer Drivers** into your computer's CD-ROM drive.
 - When the initial screen appears, click **Quit** to close it.
- 3 Click **Start**, point to **Settings**, and then click **Printers**.

- 4 Double-click the **Add Printer** icon.



- 5 Click **Next**.
- 6 Select **Local Printer** if the printer is connected directly to your computer's parallel port or select **Network Printer** if the printer is connected through a network.
- 7 If you selected **Network Printer** in step 5, specify the network path and the network printer you want to use. If you selected **Local Printer**, skip this step.
- 8 Click **Have Disk**.
- 9 Browse to the **Minolta/QMS PagePro 1100 Printer Drivers** CD-ROM and navigate to: **driver\9598addp**. Next, click **OK**.
- 10 Click **OK** and then click **Next**.
- 11 Follow the instructions that appear on your computer screen to complete the installation.

Installing the PagePro 1100 Printer Driver Under Windows 3.1

This section provides information on installing the printer driver on a computer running Windows 3.1.

Note

- ◆ The printer driver must be installed using the Installer of the printer driver's CD-ROM. Do not use the Add printer from the Printers dialog.

To Install the PagePro 1100 Printer Driver

- 1 Turn on your computer and start up Windows 3.1.
- 2 Insert the CD-ROM labeled **Minolta/QMS PagePro 1100 Printer Drivers** into your computer's CD-ROM drive.
- 3 Use File Manager to display the contents of the CD-ROM.
- 4 On the CD-ROM window (drive **D:** in this example), open the folder named **Driver** and then open the folder named **Disk 1**.
- 5 Double-click **setup.exe** to start the Installer.

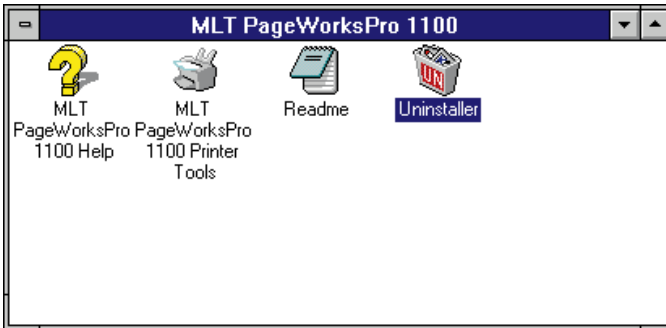
Installing the PagePro 1100 Printer Driver Under Windows 3.1

- 6** Follow the instructions that appear on your computer screen to complete the installation.



Installing the PagePro 1100 Printer Driver Under Windows 3.1

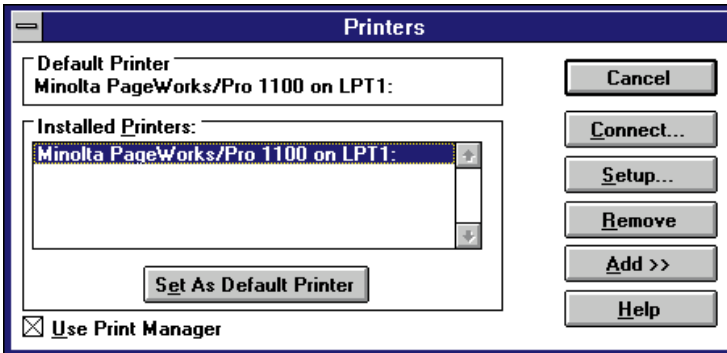
- 7 After the installation is completed, the following dialog appears. Click **Finish** to close the setup program window.



Installing the PagePro 1100 Printer Driver Under Windows 3.1

- 8 Check that **Minolta PageWorks/Pro 1100** is displayed in the Installed Printers: list in the Printers dialog.

To display the Printers dialog, double-click **Control Panel** icon, which is located in the Main group within the Program Manager, and then double-click **Printers** in the Control Panel dialog.



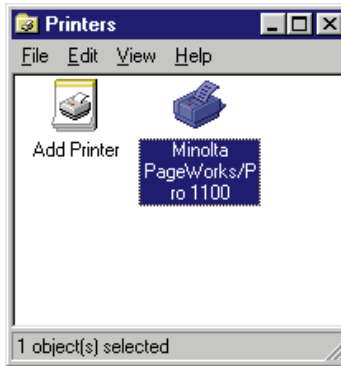
- 9 Eject the CD-ROM labeled **Minolta/QMS PagePro 1100 Printer Drivers** from your computer's CD-ROM drive.

This completes the installation of Minolta PagePro 1100 printer driver.

Displaying the PagePro 1100 Printer Driver Setup Dialog

To Display the Printer Driver Setup Dialog Under Windows 95/Windows 98

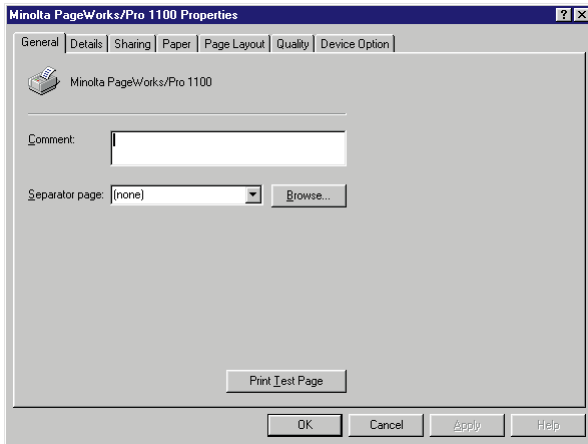
- 1 Click **Start**, point to **Settings** and then click **Printers** to display the Printers dialog.
- 2 In the Printers dialog, click the **Minolta PageWorks/Pro 1100** printer icon.



Displaying the PagePro 1100 Printer Driver Setup Dialog

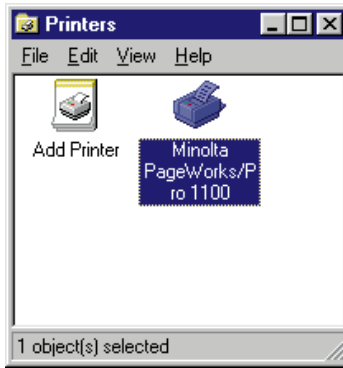
3 Select **Properties** from the **File** menu.

The following window appears.



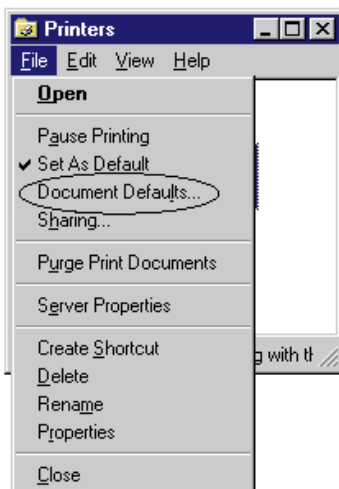
To Display the Printer Driver Setup Dialog Under Windows NT 4.0

- 1 Click **Start**, point to **Settings** and then click **Printers** to display the Printers dialog.
- 2 In the Printers dialog, click the **Minolta PageWorks/Pro 1100** printer icon.

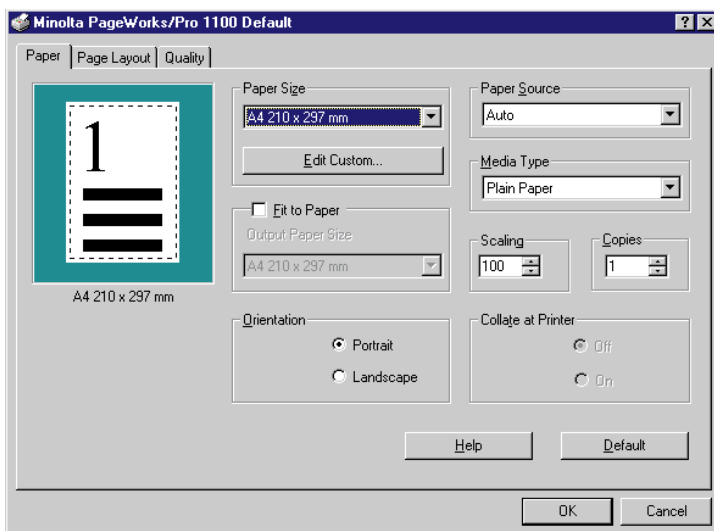


Displaying the PagePro 1100 Printer Driver Setup Dialog

- 3 Select **Document Defaults...** from the **File** menu.

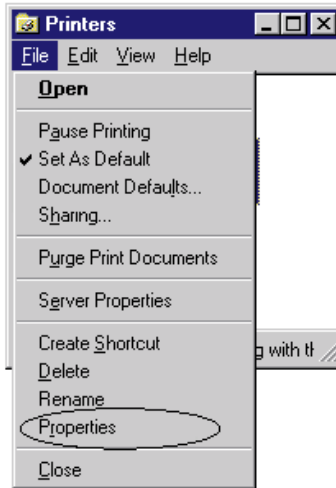


The following window appears.

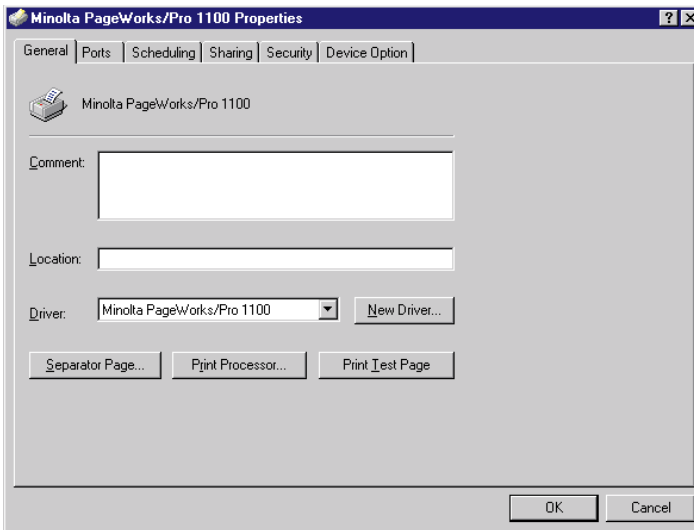


Displaying the PagePro 1100 Printer Driver Setup Dialog

- 4 To change the device option settings, select **Properties** from the **File** menu.

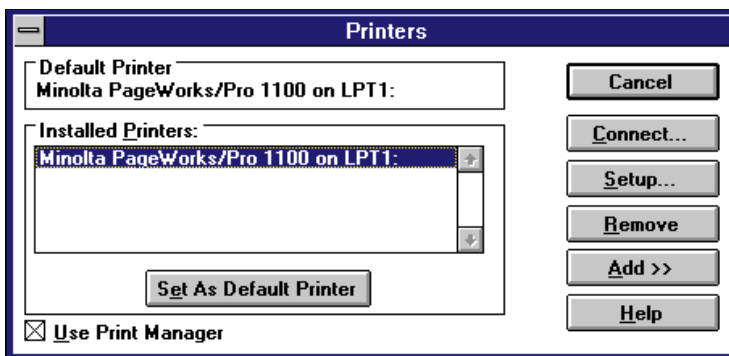


The following window appears.



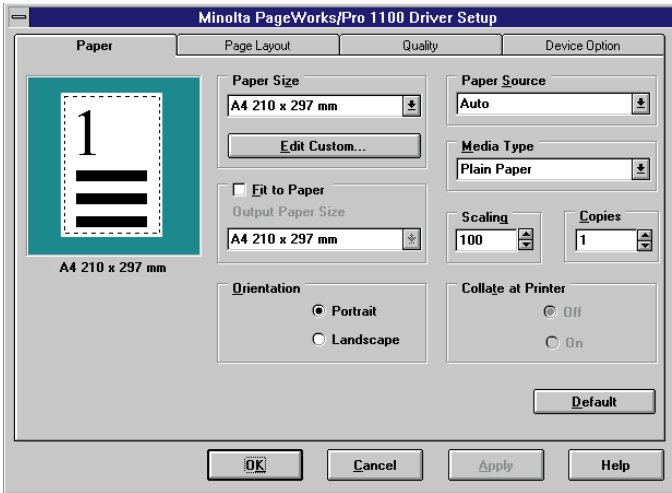
To Display the PagePro 1100 Printer Driver Setup Dialog Under Window 3.1

- 1 Double-click the **Control Panel** icon, which is located in the Main group within the Program Manager.
- 2 In the Control Panel dialog, double-click **Printers**.
- 3 In the Installed Printers: list, click **Minolta PageWorks/Pro 1100** to select it.



Displaying the PagePro 1100 Printer Driver Setup Dialog

- 4 Click **Setup**, which displays the Setup dialog for PagePro 1100 printer.



Using the PagePro 1100 Printer Driver Setup Dialog

The printer driver provides you with control over a wide variety of printer parameters from your computer. The following sections provide an overview of the seven tabs of the printer driver's Properties dialog box. The settings you make with the Properties dialog box become the default settings for the Minolta PagePro 1100 Printer Driver. To display the dialog box, click **Start**, point to **Settings**, and then click **Printers**. Next, right-click the **Minolta PageWorks/Pro 1100** icon and then select **Properties** from the context menu that appears.

Common Buttons

The buttons described below appear at the bottom of each tab.

OK

Click to exit the Properties dialog box, saving any changes made.

Cancel

Click to exit the Properties dialog box without saving any changes made.

Apply

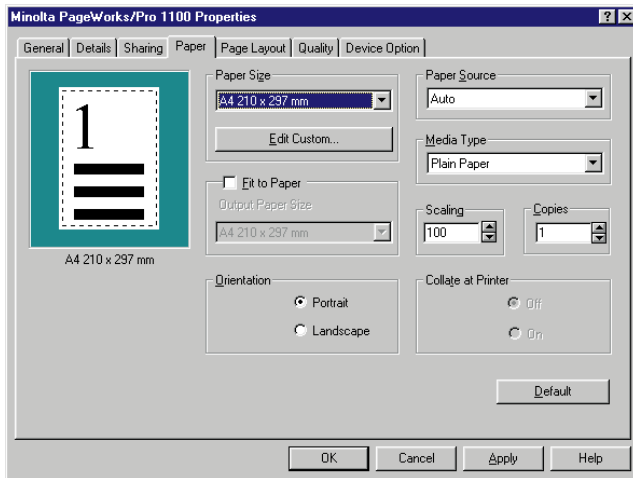
Click to save all changes without exiting the Properties dialog box.

Help

Click to view online help.

Paper

The **Paper** tab contains functions that affect the format and output of your printed documents.



Paper Size

Your printer supports the following paper and media sizes:

Paper

Letter	8-1/2 × 11 in.
Legal	8-1/2 × 14 in.
Executive	7-1/4 × 10-1/2 in.
A4	210 × 297 mm
A5	148 × 210 mm
JIS B5	182 × 257 mm
Custom Paper	76 to 216 mm × 127 to 356 mm, 3 to 8-1/2 in. × 5 to 14 in.

Envelopes

Monarch	3-7/8 × 7-1/2 in.
Com-10	4-1/8 × 9-1/2 in.
DL	110 × 220 mm
C5	162 × 229 mm
B5	176 × 250 mm

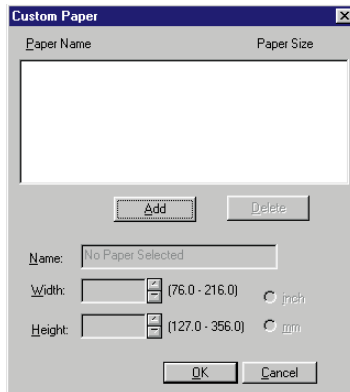
Important!

- ◆ Only A4, Letter, JIS B5, Executive, or Legal can be selected as the paper size when Tray2 is selected as the **Paper Source**.

Edit Custom...

Click this button to display the Custom Paper dialog box for defining the dimensions of custom paper sizes you want to add to the **Paper Size** list, and for editing existing custom paper sizes.

Note that you can define up to 50 different custom paper sizes.



Add

Click this button to add a new custom paper size to the list. After you add a custom paper size, you can change its name and other default settings to create your own original custom paper size.

Delete

Click this button to delete the custom paper size whose name is currently highlighted in the list. Note that the delete operation is performed as soon as you click the **Delete** button, and that the delete operation cannot be undone. Because of this, you should make sure you really no longer need the highlighted custom paper size before clicking this button.

Name

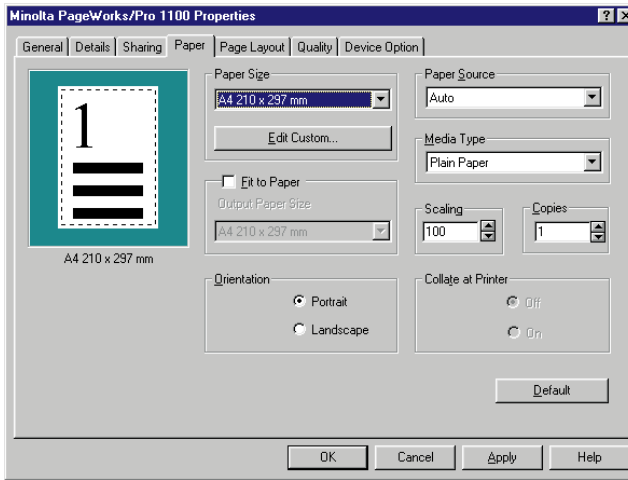
Type in up to 20 characters for the name you want to assign to the custom paper size whose current name is highlighted in the list.

Width/Height

Type in the values you want to specify or use the arrow buttons to change the values. You can use the buttons to the right of these boxes to select either inches or millimeters as the unit of measurement.

To edit an existing custom paper, highlight its name in the list, and then make the settings described above.

When everything is the way you want, click **OK** to add the new custom paper to the **Paper Size** list.



Fit to Paper

Check this option when you want the print image to be scaled to fit the paper size specified in the **Output Paper Size** box. Note that the **Scaling** setting on the **Paper** tab appears dimmed whenever the **Fit to Paper** option is checked.

Important!

- ◆ **Fit to Paper** is disabled while the **All Raster** option is turned on. This function also will not work with any bitmap fonts in the document being printed.

Orientation

This setting lets you control how the image is positioned on the printed page.

Portrait: Portrait documents are printed lengthwise on the page.

Landscape: Landscape documents are printed widthwise on the page.

Paper Source

Use this setting to specify the tray that should be used to feed the specified size of paper into the printer. Paper sources include:

Auto: This setting automatically loads the specified paper from any or all of the available tray(s).

Tray1: This setting feeds paper from Tray1.

Tray2: This setting feeds paper from Tray2.

Important!

- ◆ Only A4, Letter, JIS B5, Executive, or Legal can be selected as the paper size when **Tray2** is selected as the **Paper Source**.

Manual: With manual feeding, you have to press the panel button on the printer to start printing.

Media Type

Use this box to specify the type of media to which you want to print. You can specify plain paper, transparencies, envelopes, or thick paper.

Scaling

Use this setting to control the size of the image on the printed page. Type in the value you want to specify or use the arrow buttons to change the value. You can specify a value within the range of 50% (half the original size) to 200% (double the original size).

Important!

- ◆ **Scaling** is disabled while the **All Raster** option is turned on. This function also will not work with any bitmap fonts in the document being printed.

Copies

Use this item to specify the number of copies of each page you want to print. You can specify any value from 1 to 999.

Collate at Printer

Use this setting to control whether collation of the multiple-copy printing should be performed by the printer (**On**) or by the application (**Off**).

When collation is turned on, multiple copy jobs are printed in copy sets. When printing five copies of a document, for example, the entire document is printed from the first page to the last five times. The second and subsequent copies of the document are printed at 10 pages per minute, regardless of document size.

When collation is turned off, the printer prints the specified number of pages one page at a time. When printing five copies of a document, for example, five copies of page one are printed, followed by five copies of page two, and so on.

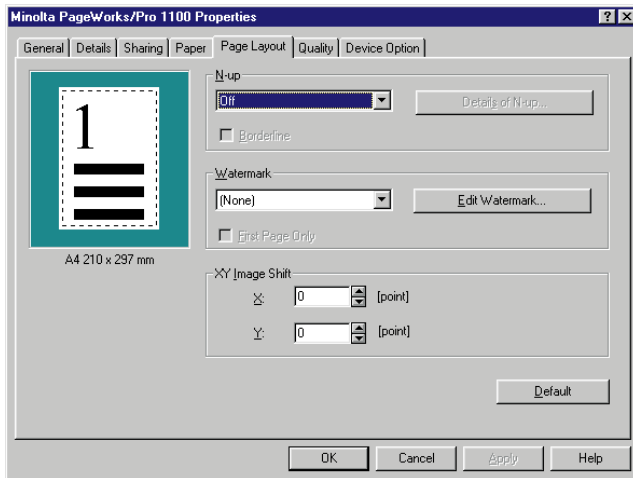
The **Collate at Printer** settings appear dimmed when **1** is selected for the **Copies** setting.

Important!

- ◆ Expanding printer memory to 64 MB or more is recommended before using **Collate at Printer**.
- ◆ When using **Collate at Printer**, be sure to turn off the collation function of the application.

Page Layout

The **Page Layout** tab contains a real-time graphic mirror of most driver settings as well as the following features.



N-up

The **N-up** settings let you print multiple document pages on a single sheet of paper. Use the **N-up** box to select one of the following N-up page configurations.

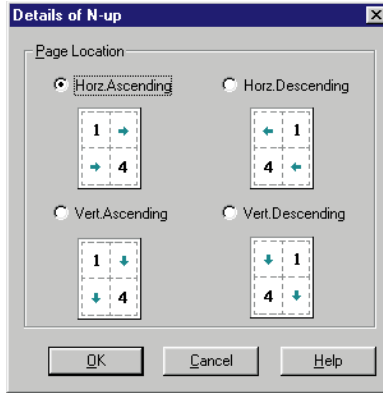
- | | |
|--------------|----------------------|
| Off | One page per sheet |
| 2-up | Two pages per sheet |
| 4-up | Four pages per sheet |
| 9-up | Nine pages per sheet |
| 16-up | 16 pages per sheet |

Important!

- ◆ **N-up** is disabled while the **All Raster** option is turned on. This function also will not work with any bitmap fonts in the document being printed.

Details of N-up

Click **Details of N-up** to display a dialog box for specifying the order of document pages printed on each sheet of paper.



Horz. Ascending

This setting prints the first document page in the upper left corner of the sheet, the second page to the right of the first, and so on. The first document page of each subsequent row is located on the left side of the sheet, underneath the first page of the preceding row.

Horz. Descending

This setting prints the first document page in the upper right corner of the sheet, the second page to the left of the first, and so on. The first document page of each subsequent row is located on the right side of the sheet, underneath the first page of the preceding row.

Vert. Ascending

This setting prints the first document page in the upper left corner of the sheet, the second page underneath the first, and so on. The first document page of each subsequent column is located at the top of the sheet, to the right of the first page of the preceding column.

Vert. Descending

This setting prints the first document page in the upper right corner of the sheet, the second page underneath the first, and so on. The first document page of each subsequent column is located at the top of the sheet, to the left of the first page of the preceding column.

Borderline

Checking this box causes a borderline to be printed around each of the document pages. No borderline is printed when this box is unchecked.

Watermark

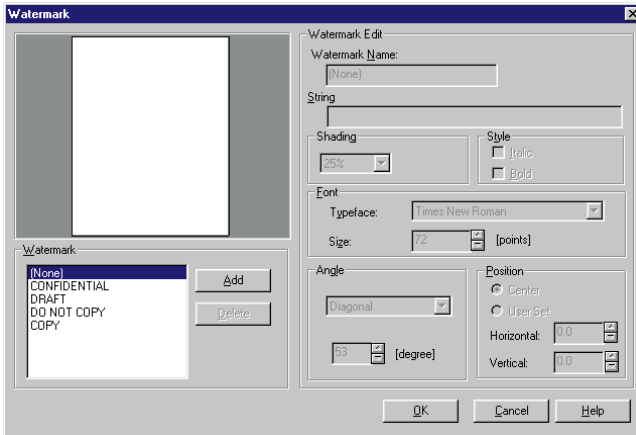
Watermarks can be used to alert the reader to the nature of the content of a document. Examples of often-used watermarks are: CONFIDENTIAL, DRAFT, URGENT, etc. Use the **Watermark** box to select the watermark you want to use.

First Page Only

Checking this box causes the watermark to be printed on the first page of the document only. The watermark is printed on all the pages of the document when this box is unchecked. Note that this checkbox appears dimmed when (none) is selected in the Watermark box.

Edit Watermark

Click **Edit Watermark** to display a dialog box for creating new watermarks and editing existing watermarks.



The following describes the settings you can make on the Edit Watermark dialog box.

Watermarks

This list shows all of the currently available watermarks. Every time you create a new watermark, its name appears in this list. Note that you can have up to 30 watermarks in the list.

Add

Click this button to add a new watermark with the default name **Watermark** to the **Watermarks** list. After you add a watermark, you can change its name and other default settings to create your own original watermark.

Delete

Click this button to delete the watermark whose name is currently highlighted in the **Watermarks** list. Note that the delete operation is performed as soon as you click the **Delete** button, and that the delete operation cannot be undone. Because of this, you should make sure you really no longer need the highlighted watermark before clicking this button.

Watermark Name

Type in up to 72 characters for the name you want to assign to the watermark whose current name is highlighted in the **Watermarks** list.

String

Type in up to 72 characters for the content of the watermark. Note that inputting a string that is too long to fit on the page causes the ends of the string to be cut off.

Shading

Use this setting to set the relative darkness of the watermark as 10% (lightest), 25%, 50%, 75% or 100% (darkest).

Style

Check one or both of the boxes to specify **Italic** and/or **Bold** for the watermark.

Font

Use these settings to specify the typeface and point size of the watermark text.

Angle

Use these settings to specify the angle of the watermark on the paper. Selecting **User Set** undims the angle setting box, which you can use to specify an angle value.

Position

Use these settings to specify the vertical and horizontal positioning of the watermark on the paper. Selecting **User Set** undims the **Horizontal** and **Vertical** boxes, which you can use to specify relative positions off of the vertical and horizontal center points.

Using the PagePro 1100 Printer Driver Setup Dialog

After creating a watermark, click **OK** to save it as a bitmap file and add its name to the **Watermark** list on the **Page Layout** tab.

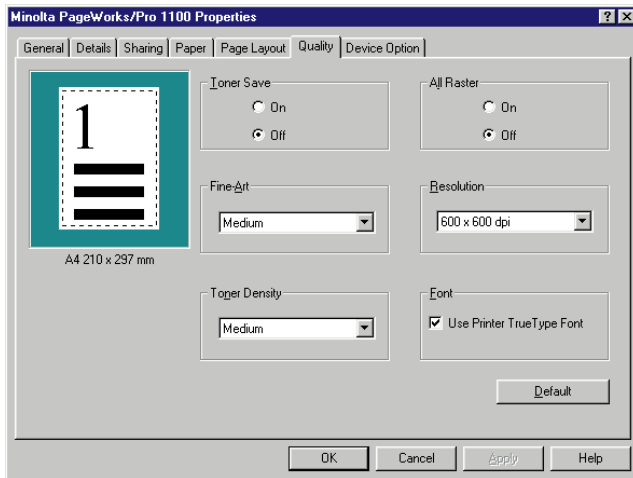
XY Image Shift

Use these boxes for fine adjustment of the printable area horizontally (X) and vertically (Y) on the physical page. Type in the values you want or use the arrow buttons to change the settings.

Use the setting when you want to align printed text with the spaces of a preprinted form, etc.

Quality

The **Quality** tab allows you to make setting changes that enhance the graphic quality of your printed documents.



Toner Save

Turn **Toner Save** off to improve. Turn it on to maximize toner cassette life. Use **Toner Save** to reduce your printing costs by conserving toner when printing rough drafts or sample documents.

Off: This setting uses normal amounts of toner during printing, improving the print quality of text and line art.

On: This setting maximizes toner cassette life, but can make images and text appear lighter.

Fine-Art

Changing the Fine-Art setting can improve the appearance of text and graphics by smoothing jagged edges.

Off: This setting turns off the **Fine-Art** option, which can enhance the print quality of images that include halftoning and screen patterns.

Light: Use this setting to make the edges of line art and text smoother by using fewer dots.

Medium: This is the default setting, which should be good enough for most printing needs. Change to another setting only if text and graphics appear to be too dark or too light when Medium is selected.

Dark: Use this setting to make the edges of line art and text smoother by using more dots.

Toner Density

Use this box to make fine adjustments in the density of the toner during printing. Use this setting to adjust toner density to the level you want.

All Raster

Use this setting to turn **All Raster** on and off. When turned on, all objects (fonts, vector graphics, raster graphics) are sent to the printer as raster (bitmapped) data. This can cause printing to take longer than normal.

Important!

- ◆ **N-up, Fit to Paper, Scaling, and Use Printer True Type Font** are disabled while the **All Raster** option is turned on.

Resolution

This setting specifies the number of dots per inch (dpi).

300 × 300 dpi: Use this setting for normal resolution printing.

600 × 600 dpi: Use this setting for high-resolution printing.

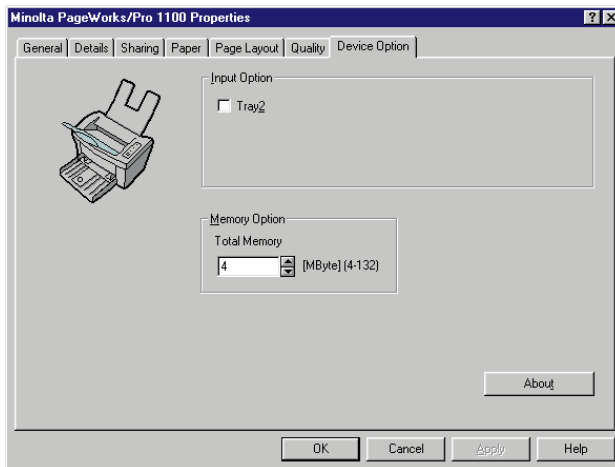
1200 × 600 dpi: Use this setting for 1200dpi horizontal resolution printing.

Font

Checking **Use Printer TrueType Font** option substitutes printer-resident TrueType fonts for TrueType fonts in the print document, which is faster than downloading fonts from the computer. Uncheck this option if you want your printout to match exactly what is on the computer screen.

Device Option

This tab shows auxiliary accessories that are available for installation on the printer.



Input Option

Check **Tray2** box when you have **Tray2** installed on your printer. This causes **Tray2** to be added to the **Paper Source** box on the **Paper** tab. It also changes the graphic on the left side of the **Device Option** tab so it shows the second tray.

Memory Option

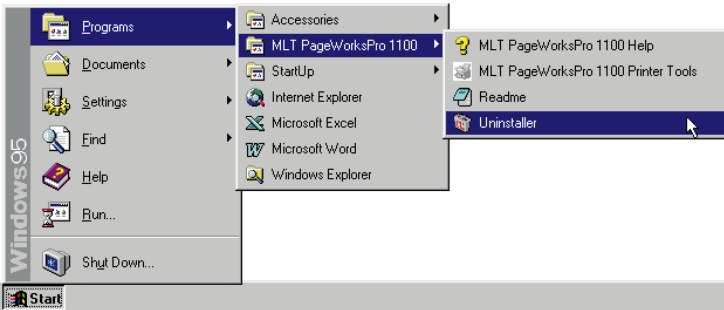
Use this box to specify the printer's total memory capacity (pre-installed memory plus any additional memory). You can type in a value or use the arrow buttons to change the setting.

Uninstalling the Printer Driver

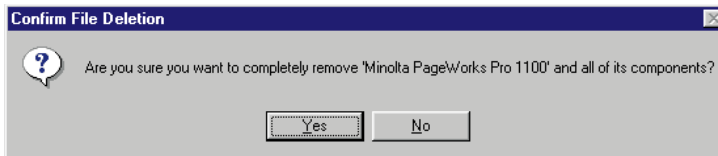
This section describes how to uninstall the PagePro 1100 Printer Driver when necessary.

To Uninstall the PagePro 1100 Printer Driver (Windows 95/Windows 98/Windows NT 4.0)

- 1 Click the **Start** button, point to **Programs**, then to **MLT PageWorksPro 1100**, and then click **Uninstall**.



- 2 Click **Yes** to proceed with the uninstall operation or **No** to abort.

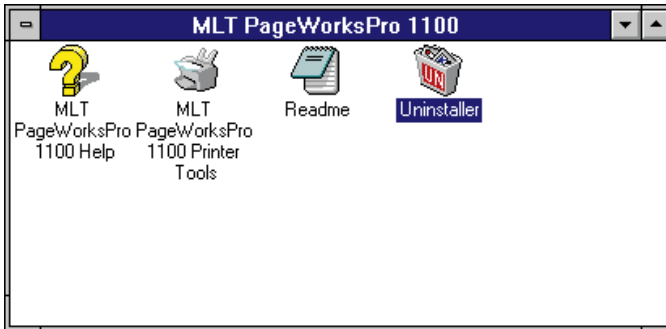


Note

- ◆ It is recommended that you restart your computer after uninstallation.

To Uninstall the PagePro 1100 Printer Driver (Windows 3.1)

- 1 Double-click the **Uninstaller** icon of the **MLT PageWorksPro 1100** dialog box.



- 2 In response to the warning dialog that appears, click **Yes** to proceed with the uninstall operation or **No** to abort.

DOS Printing Utilities

Installing DOS Printing Utilities

Use the following procedure to install DOS printing utilities.

- 1 Connect the printer to the parallel port of your computer.
- 2 Turn on your computer and start up MS-DOS.
- 3 Turn on the printer and make sure it is online.
- 4 Insert the CD-ROM labeled **Minolta/QMS PagePro 1100 Printer Drivers** into your computer's CD-ROM drive.

In this example, we assume that **D:** is the name of the CD-ROM drive.

- 5 Change to the directory of the setup program is located.

Type: **d:**↵

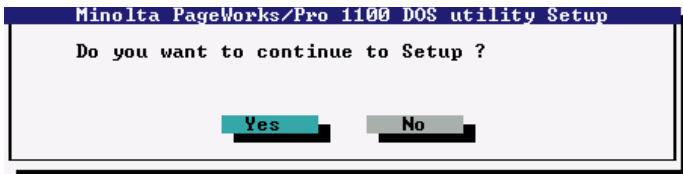
- 6 Change to the directory that the setup program is located.

Type: **cd driver\msdos**↵

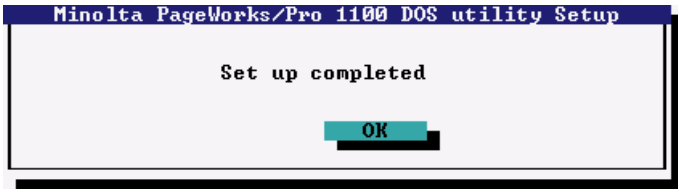
- 7 Use the following command to start installation.

Type: **setup**↵

- 8 Follow the instructions that appear on your computer screen to complete the installation.



- 9 After the installation is completed, the following dialog appears. Press the **Enter** key to close the setup program window.



- 10 Eject the CD-ROM labeled **Minolta/QMS PagePro 1100 Printer Drivers** from your computer's CD-ROM drive.

This completes the installation of **Minolta PageWorks/Pro 1100** DOS printing utilities.

Note

- ◆ Installing DOS printing utilities updates your AUTOEXEC.BAT, adding a command to load the Status Monitor at the end of the file. This means that the Status Monitor program will be loaded automatically whenever you turn on your computer or execute AUTOEXEC.BAT. Note that since the Status Monitor must be loaded after all disk caching and disk compression, and after loading of LAN software (such as Netware).

Loading and Unloading the Status Monitor

If you choose to add REPORT to your Autoexec.bat file, the Status Monitor is loaded and becomes resident in your computer's memory automatically whenever you start up your computer. The following explains the procedure you should use to manually load the Status Monitor, how to remove the Status Monitor from memory, and how to change a variety of Status Monitor settings.

To Load the Status Monitor from the DOS Prompt

Type the following at the DOS prompt to display the Status Monitor screen:

- 1 Change to the directory you created under “Installing DOS Printing Utilities” on page 4-41.

Type: `cd c:\mltdos`↵

- If you used the directory name we showed in our installation example, type in the command exactly as shown above. If you used a different directory name, change mltdos to the name you used.

- 2 Type the following command at the DOS prompt.

Type: `rep`↵

To Remove the Status Monitor from Memory

- Type the following at the DOS prompt:

`Rep /d`↵

Note

- ◆ You should use the above step to remove the Status Monitor from memory if the Status Monitor is interfering with one of your other software applications or if you need to free up the memory used by the Status Monitor.

Accessing the Printer Control Panel

This section explains how to access the Printer Control Panel.

To Access the Printer Control Panel

- 1 Type the following at the DOS prompt to access the Printer Control Panel:
- 2 Change to the directory you created under “Installing DOS Printing Utilities” on page 4-41.

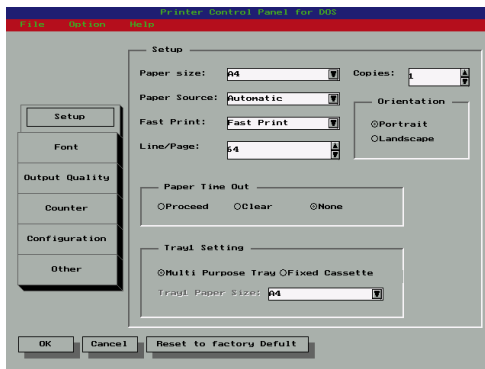
Type: `cd c:\mltdos`↵

- If you used the directory name we showed in our installation example, type in the command exactly as shown above. If you used a different directory name, change mltdos to the name you used.

- 3 Type the following command at the DOS prompt.

Type: `sppcdos`↵

After the Printer Control Panel finishes reading the printer profile, the Page Setup window appears.



To Exit the Printer Control Panel

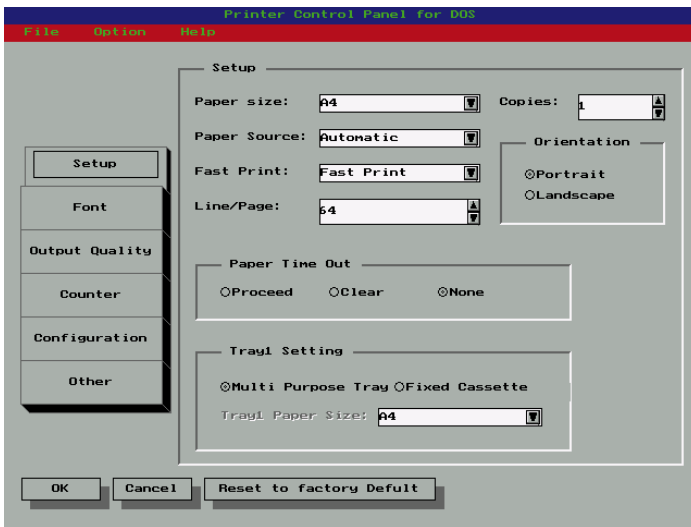
- Select **Exit** from the **File** menu, or press **[Alt]+[X]**.

Using the Printer Control Panel

The Printer Control Panel lets you control the printer from your computer. This section tells you how to maneuver around the Printer Control Panel, change its settings, and save printer setups as profiles.

Note

- ◆ You can find further information on using the Printer Control Panel by using its **Help** menu to access the online help files.



Getting Around in the Printer Control Panel

Use the following key operations to get around the Printer Control Panel and make the settings you want.

- Use the **Esc** key to move the selection cursor to the control buttons on the left side of the Printer Control Panel Screen. Once the selection cursor is in place, use the **up** and **down** arrow keys to select the button you want.
- To move the selection cursor between the menu bar at the top of the window and the selections inside of the displayed screen, press **Esc**.
- To select a menu, use **Esc** to move the selection cursor to the menu bar and then use the **left** and **right** arrow keys to move the cursor left and right between menus.
- To pull down a menu, first select the menu and then press the **down** arrow key.
- To execute an item inside of a menu, first pull down the menu and then use the **up** and **down** arrow keys to highlight the item you want. Next, press **Enter** to execute the item.
- To change a setting inside of a screen, first use **Esc** to move the selection cursor to the screen and then use **Tab** to move the selection cursor between items. When an item is selected, use the **up** and **down** arrow keys to change its setting.

About profiles

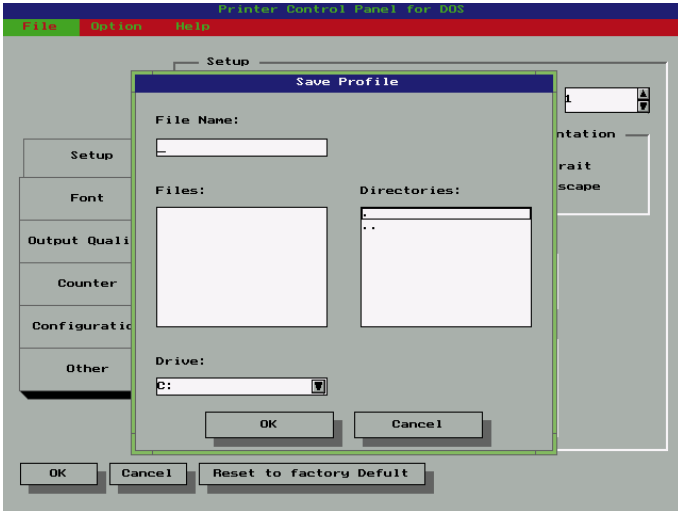
You can save a printer setup to disk for later recall when you need it. A printer setup is called a profile.

Important!

- ◆ Note that any changes you make in the Printer Control Panel do not affect the settings of the printer until you export the settings to the printer.

To save a profile

- 1 After making the Printer Control Panel settings you want, select **Save Profile** from the **File** menu.



Note

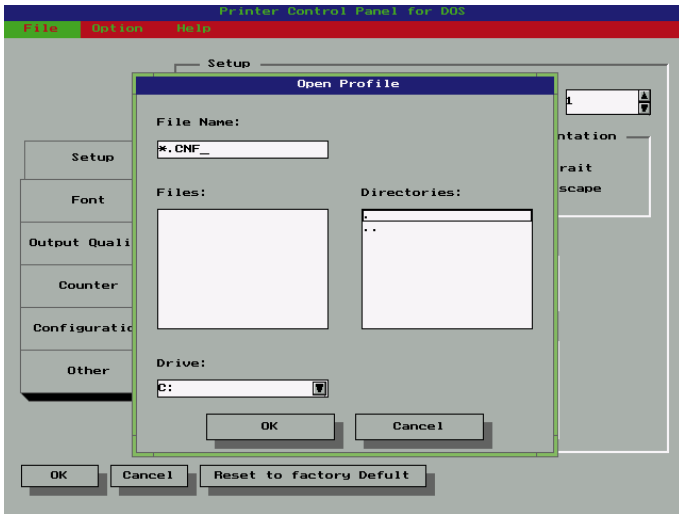
- ◆ You can also save a profile under a new name by selecting **Save As...** from the **File** menu.

- 2 Specify the drive, path, and file name where you want to save the profile.
You can make these specifications using the lists that appear in the dialog box, or you can type a path into the **File Name** box.
- 3 Select **OK** to save the profile.

To open a profile Important!

- ◆ This procedure replaces the current profile with the one you open. Make sure you no longer need the current profile, or save it using the procedure under “To save a profile” on page 4-47.

- 1 Select **Open Profile** from the **File** menu.



- 2 Specify the drive, path, and file name where the profile you want to open is located.

You can make these specifications using the lists that appear in the dialog box, or you can type a path into the **File Name:** box.

- 3 Select **OK** to open the profile.

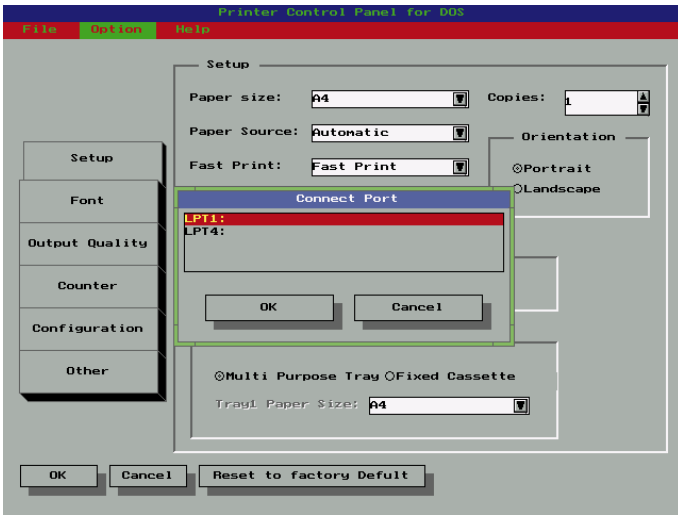
The settings of the Printer Control Panel change in accordance with the profile you opened.

To print a test page or demo page

Select the test or demo page you want to print from the **Option** menu.

To change the printer port

- 1 Select **Connect Port** from the **Option** menu.



- 2 Select the port you want to change to and then select **OK**.

Printer Control Panel Screens

This section describes the settings that are available in the Printer Control Panel Screens.

Common Buttons

OK

Select this button to export the current settings to the printer.

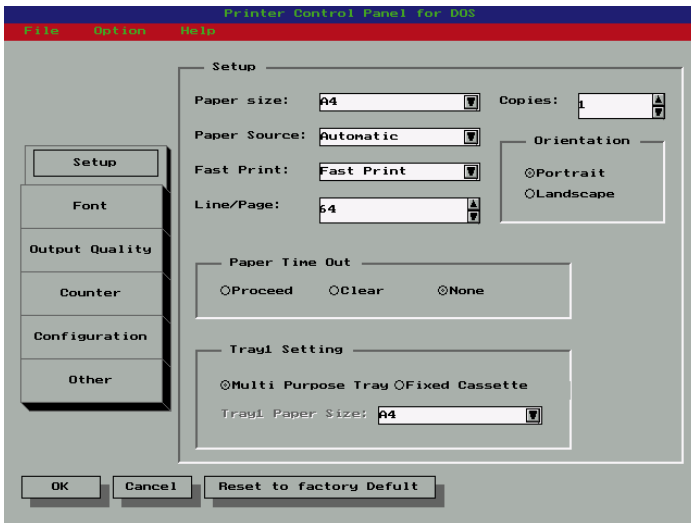
Cancel

Select this button to restore all fields to their previous settings without updating the printer profile.

Reset to factory Default

Select this button to return all fields to their default settings.

Setup Screen



Paper Size

Use this list to specify either paper or envelopes for printing, and the size of each.

Paper Source

Indicate whether the printer automatically selects the paper tray for feeding, whether paper should be fed from a designated tray or whether paper will be fed manually.

Fast Print

Selecting **Fast Print** reduces the amount of time required for the first print to start, because the printer keeps the fusing unit at high temperature while in the Ready mode. With the **Normal** setting, the printer takes the normal amount of time to start the first print.

Line/Page

Use this setting to specify the number of lines that should be printed on each page.

Copies

Use this setting to specify in the range of 1 to 999 how many copies of the document should be printed. The default setting is 1.

Orientation

Select the paper orientation setting you want to use. The default is Portrait.

Paper Time Out

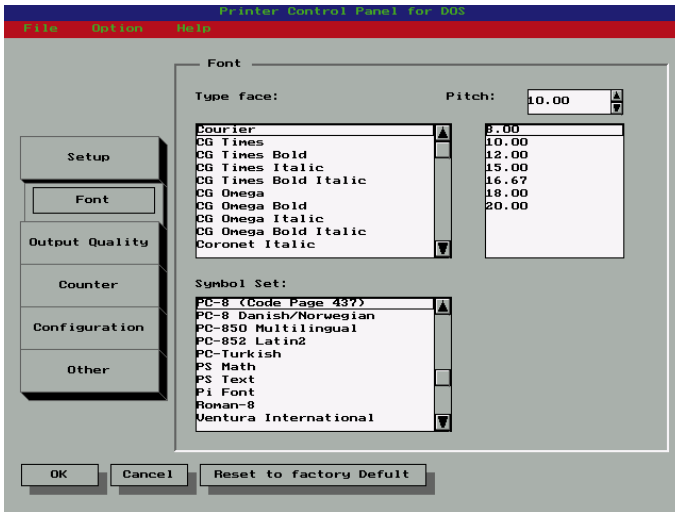
During manual feeding of paper, the printer pauses during printing to wait for you to feed the next sheet. The “paper time out” condition exists when the printer is paused and nothing happens for about 10 minutes.

Setting	Paper Time Out Action
Proceed	Paper is automatically fed from another paper tray.
Clear	The print job is cleared (cancelled).
None	The printer continues to wait until you feed paper or manually cancel the print job.

Tray1 Setting

Specify whether Tray1 is a multi-purpose tray or a fixed-size tray. When **Multiple Purpose Tray** is selected, a paper size error (Load XX) does not occur regardless of the size of paper loaded in Tray1. When **Fixed Cassette** is selected, you can specify the size you want in the **Tray1 Paper Size** list.

Font Screen



Typeface

Select the typeface you want to use from this list.

Pitch/Point

Specify the type size you want to use, either by scrolling the value in the upper box or by selecting a value from the lower box. The values indicate points for proportional fonts and inches for fixed pitch fonts.

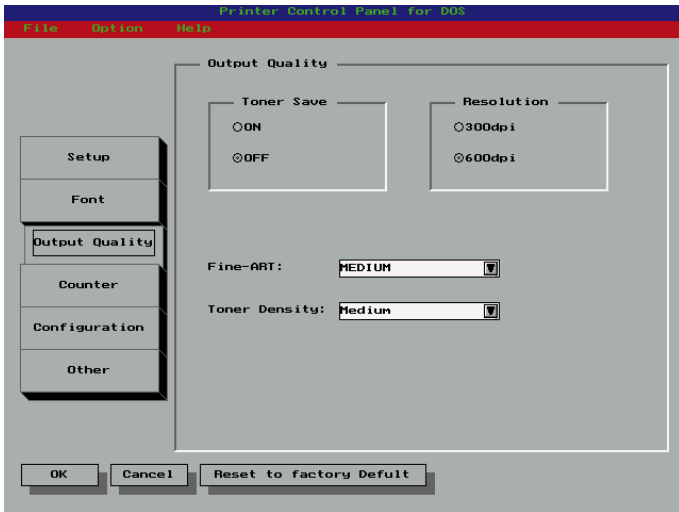
Note

- ◆ When **Typeface** is set to **Courier**, the maximum pitch is **99.99**.

Symbol Set

Select the symbol set for the typeface you are using.

Output Quality Screen



Toner Save

Specify **ON** or **OFF** for the toner save setting. Turning toner save on uses less toner for printing and helps toner cartridges to last longer. The **OFF** setting produces normal output and toner usage, while **ON** uses less toner but prints lighter.

Resolution

Use this setting to specify either **300 dpi** or **600 dpi** printing.

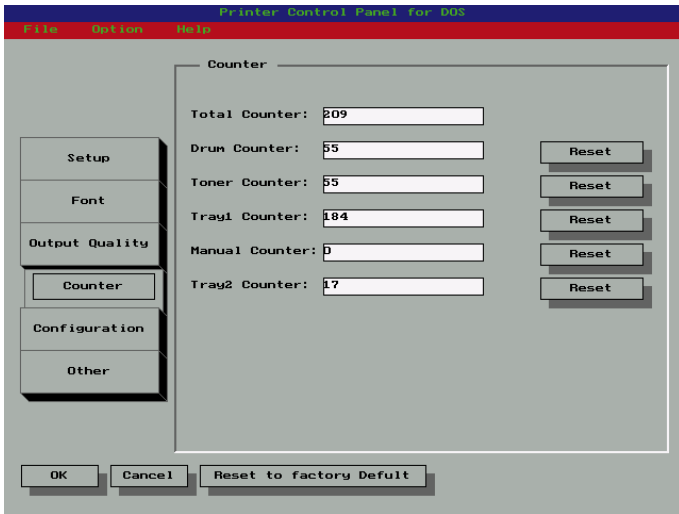
Fine-ART

Specify **OFF**, **LIGHT**, **MEDIUM**, or **DARK** for the **Fine-ART** setting. Turning **Fine-ART** on smooths out jagged edges of text and graphics for very high quality printing. The default setting for **Fine-ART** is **OFF**, which is generally acceptable for most applications. **Fine-ART** controls the size of dots along the edges of text, lines, and graphics so you might want to change the setting if edges appear too light or dark. Some graphics that include gray shading or a screen pattern are improved by turning **Fine-ART** off.

Toner Density

Use this box to make fine adjustments in the density of the toner during printing. Note that a darker setting can cause toner to be used up relatively quickly.

Counter Screen



Total Counter

This value shows how many pages have been printed throughout the life of the printer. This value cannot be reset.

Drum Counter

This value shows how many pages have been printed on the current drum. This value can be reset to zero by clicking the **Reset** button.

Toner Counter

This value shows how many pages have been printed with the current toner cartridge. This value can be reset to zero by clicking the **Reset** button.

Tray1 Counter

This value shows how many pages have been printed from Tray1. This value can be reset to zero by clicking the **Reset** button.

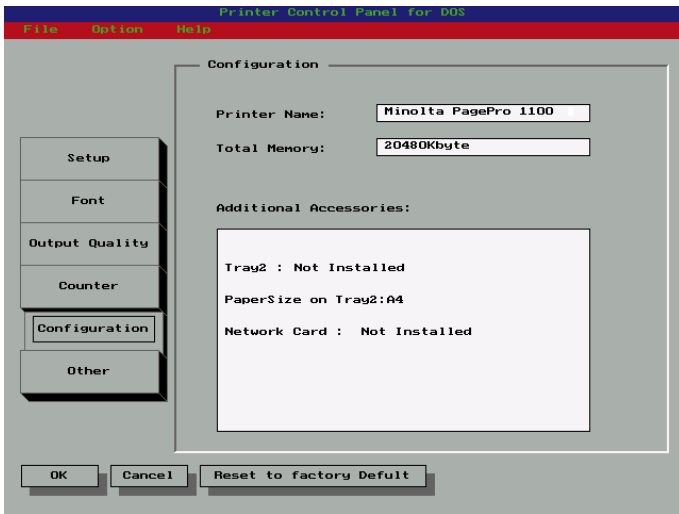
Manual Counter

This value shows how many pages have been printed from the manual feed tray. This value can be reset to zero by clicking the **Reset** button.

Tray2 Counter

This value shows how many pages have been printed from Tray2. This value can be reset to zero by clicking the **Reset** button.

Configuration Screen



Printer Name

This box shows the name assigned to the connected printer.

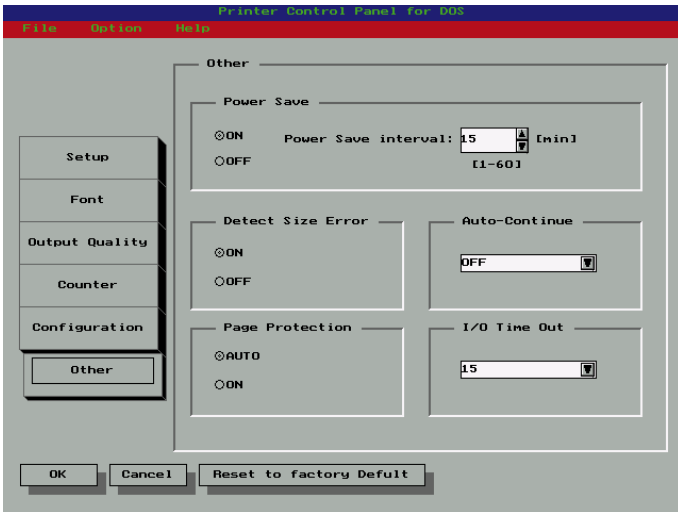
Total Memory

This box shows how much memory is installed on the printer.

Additional Accessories

This box shows any additional accessories installed on the printer.

Other Screen



Power Save

Specify **ON** or **OFF** for the **Power Save** setting. Turning on **Power Save** causes the printer to enter a “sleep” mode whenever it is idle for the period of time specified by the **Power Save interval**.

Power Save Interval

Specify the amount of time in minutes that the printer should wait before entering its “sleep” mode.

Detect Size Error

A size error occurs when the actual paper size is different from the paper size specified by the printer driver. Use this setting to turn the size error detection on and off.

Auto-Continue

Auto-Continue lets the printer automatically recover from printer overrun and memory overflow errors. Use this setting to turn **Auto-Continue** on and off.

Page Protection

Page Protection allows the printer to process the data for the entire document before it is printed. When **Auto** is selected, the printer analyzes each page and turns on **Page Protection** automatically only when it is required. Selecting **On** always keeps sufficient memory reserved to ensure that a page can be fully composed.

I/O Timeout

The value you select in this box specifies the number of seconds the printer waits for data. The printer automatically cancels the print job if data does not arrive within the time you specify here.

Using the Status Display

This section describes how to display the Status Display and make changes in the operating environment of the Status Display.

To Display the Status Display

After the Status Display is loaded, perform the required hot key combination (a combination of keys you press at the same time to perform an operation) to display the Status Display. The following is the default hot key combination.

[ct1]+[alt]+[R]

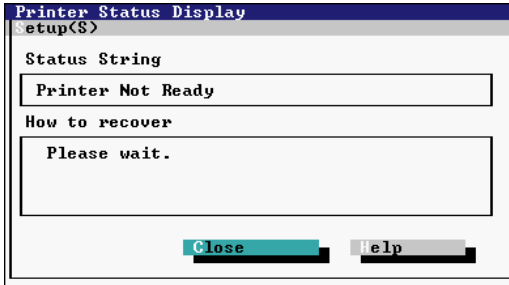
You can change the hot key combination after the Status Display screen appears.

To select an item on the Status Display, first highlight it and then press **Enter** to advance to its setting screen. You can clear the Status Display at any time by pressing **Esc**.

The following is a brief explanation of the items that are available on the Status Display. Further information can be found in the Status Display's online help.

Status Display Screen

The following describes each of the buttons and the commands on the Status Display Setup menu.



Set Display Mode Command (Setup Menu)

In the dialog that appears when you execute this command, click the checkbox next to the **Enable Popup** setting to toggle popup error messages on (checked) and off (unchecked). When this feature is turned on, a dialog box will appear to alert you whenever an error condition occurs.

- When a popup error message occurs, correct the problem and then click **OK**.
- You can control which error conditions cause popup error messages to appear by using the procedure under “Change Popup Message Command” below.

Change Hot Key Command (Setup Menu)

The dialog that appears when you execute this command shows the current hot key combination that launches the Status Display. While the dialog is open, you can change the hot key combination by pressing the key you want to change.

Change Popup Message Command (Setup Menu)

The dialog that appears when you execute this command contains a list of error conditions that cause popup error messages to appear. Error conditions marked **Active** cause a popup error message to appear when they occur, while no message appears for conditions marked **Inactive**. To toggle an error condition between **Active** and **Inactive**, highlight it and then press **Enter**.

Exit Command (Setup Menu)

Use this command to exit the Status Display.

Close (button)

Select this button to close the Status Display screen. Status Display remains in memory when you return to the DOS prompt, and you can remove it by typing the following:

```
REP /d
```

Help (button)

Select this button to display online help about the Status Display.

Chapter

*Printer Status Monitor and
Control Panel*

5

Using the Status Monitor

The Status Monitor displays information about the current status of the computer's local printer.

Starting Up the Status Monitor

This section describes how to start up the Status Monitor, which keeps you informed of the status of the printer at all times.

Important!

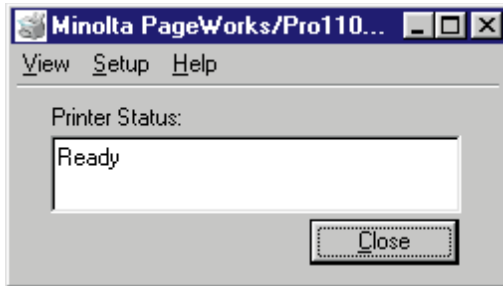
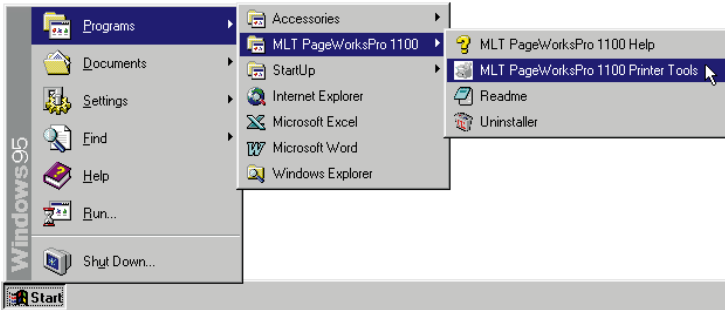
- ◆ Before starting up the Status Monitor, make sure that the printer is connected to your computer and turned on.

Note

- ◆ If you selected **Yes** when you were asked "Do you start Status Monitor automatically?" in the installation procedure, the Status Monitor will start up automatically each time you start up your computer.

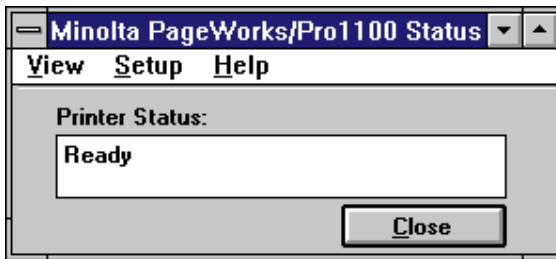
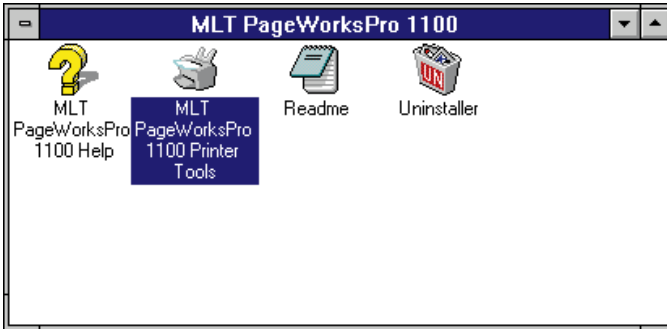
To Start Up the Status Monitor Under Windows 95, Windows 98 or Windows NT 4.0

- Click the **Start** button, point to **Programs**, then to **MLT PageWorksPro 1100**, and then click **MLT PageWorksPro 1100 Printer Tools**.



To Start Up the Status Monitor Under Windows 3.1

- From the File Manager, double-click the **MLT PageWorksPro 1100** folder, and then double-click **MLT PageWorksPro 1100 Printer Tools**.



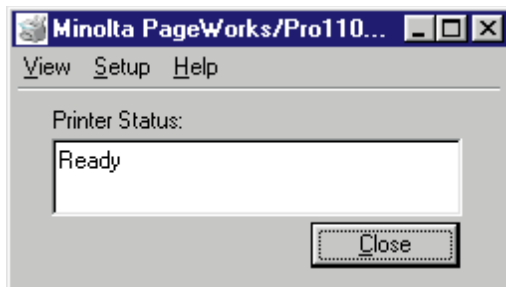
To Hide the Status Monitor

- Click the **Close** button to hide the Status Monitor. This causes the Status Monitor icon to appear in the taskbar.

To Exit the Status Monitor

- To exit the Status Monitor, use the **Exit** command from the **View** menu.

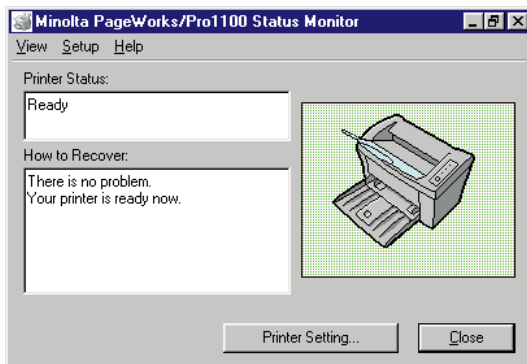
Using the Status Monitor



View Menu

Expand/Reduce

Use these commands to select either the Status Monitor expanded view or reduced view.



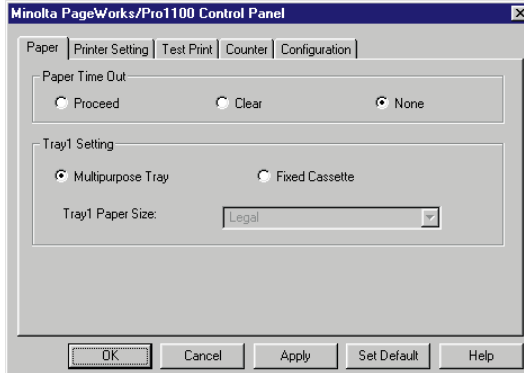
Exit

Select this command when you want to exit the Status Monitor.

Setup Menu

Printer Setting

Select this command to display the Control Panel dialog box for changing the printer setup.



For details on how to use the Control Panel, see “Using the Control Panel” on page 5-6.

Close button

Click this button when you want to hide the Status Monitor. This causes the Status Monitor icon to appear in the taskbar.

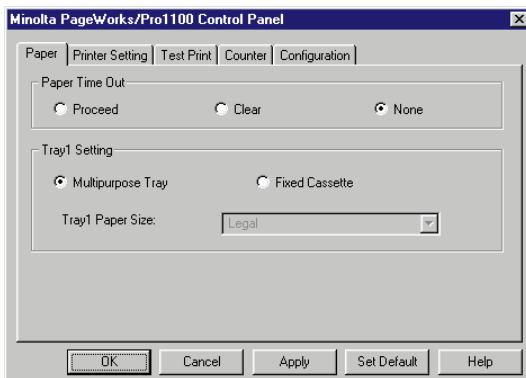
Using the Control Panel

This program displays the current settings of the computer's local printer. You can also use Control Panel to change settings and to reset counters.

Starting Up the Control Panel

This section describes how to start up the Control Panel, which you can check and change the current settings of the printer.

- 1 Start up the Status Monitor (see “Starting Up the Status Monitor” on page 5-1).
- 2 On the **Setup** menu, click **Printer Setting...**
The following window appears.

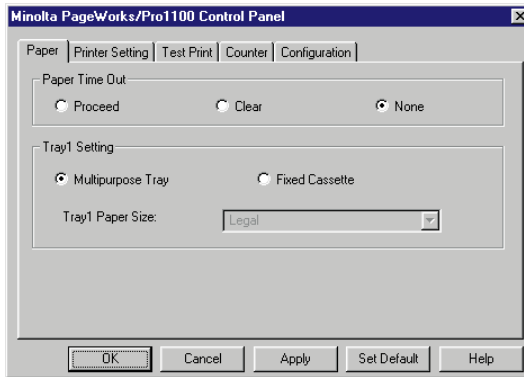


Using the Control Panel

The Control Panel has 5 tabs, which you can use to control the following items.

See online help for full details about using these tabs to make settings.

Paper



Paper Time Out

The printer automatically goes into a “paper time out” standby state after about 10 minutes of inactivity in the Manual Feed mode, or when a Paper Size Error occurs. Use this setting to specify what the printer should do after it enters the paper time out state.

Proceed: Selecting this option tells the printer to proceed with the job, using paper from Tray1.

Clear: Selecting this option tells the printer to cancel the current print job.

None: This option tells the printer to do nothing and stand by until paper is fed manually or until it receives a command to cancel the current print job.

Tray1 Setting

Multipurpose Tray

Selecting this option defines Tray1 as a multipurpose tray, which means that Tray1 supports any paper size.

Fixed Cassette

This option defines a specific paper size for Tray1. Documents can be printed only on the paper size specified for Tray1 in the **Tray1 Paper Size** box.

Tray1 Paper Size

Any one of the following paper sizes can be selected for Tray1:

Paper

Letter	8-1/2 × 11 in.
Legal	8-1/2 × 14 in.
Executive	7-1/4 × 10-1/2 in.
A4	210 × 297 mm
A5	148 × 210 mm
JIS B5	182 × 257 mm
Custom Paper	76 to 216 mm × 127 to 356 mm, 3 to 8-1/2 in. × 5 to 14 in.

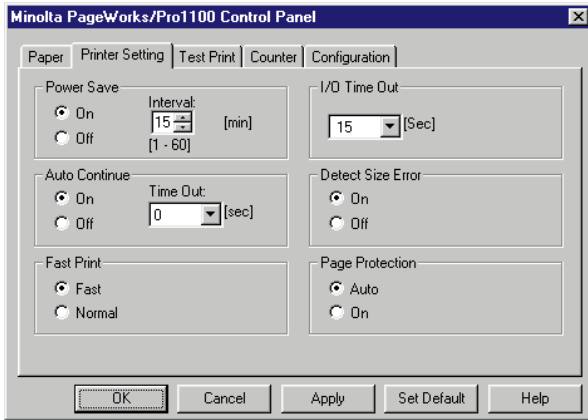
Envelope

Monarch	3-7/8 × 7-1/2 in.
Com-10	4-1/8 × 9-1/2 in.
DL	110 × 220 mm
C5	162 × 229 mm
B5	176 × 250 mm

Note

- ◆ The settings of the software from which you are printing may override the **Tray1 Setting** you specify here.

Printer Setting



Power Save

Power Save lets you set up the printer so it enters a low-power idle state after a specific time of inactivity.

Click **On** to turn on **Power Save**. In the **Interval** box, type the amount of time the printer should wait until going into the idle state. You can also use the arrow buttons to change the **Interval** box value.

Click **Off** to turn off **Power Save**.

Auto Continue

Turning on **Auto Continue** causes printing to restart automatically when a specified amount of time passes after any one of the following errors occurs:

paper size error, job too complex, memory overflow.

Click **On** to turn on **Auto Continue**. In the **Time Out** box, select the amount of time the printer should wait until starting the recovery routine.

Click **Off** to turn off **Auto Continue**. When **Auto Continue** is turned off, the printer must be reset to resume printing following a printer overrun or memory overflow error.

Fast Print

Selecting **Fast** reduces the amount of time required for the first print to start, because the printer keeps the fusing unit at high temperature while in the Ready mode. With the **Normal** setting, the printer takes the normal amount of time to start the first print.

I/O Timeout

The value you select in this box specifies the number of seconds the printer waits for data. The printer automatically cancels the print job if data does not arrive within the time you specify here.

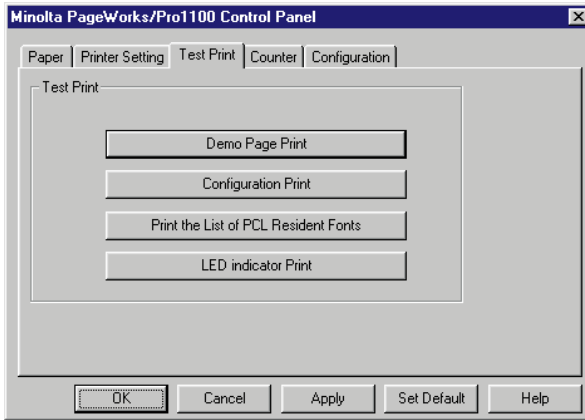
Detect Size Error

A size error occurs when the actual paper size is different from the paper size specified by the printer driver. Selecting **On** enables the printer to detect size errors, while **Off** turns off paper size error detection.

Page Protection

Page Protection reserves additional memory and waits until the page is fully composed before starting the print operation. When **Auto** is selected, the printer analyzes each page and turns on **Page Protection** automatically only when it is required. Selecting **On** always keeps sufficient memory reserved to ensure that a page can be fully composed.

Test Print



Demo Page Print

Click this button to print a page that demonstrates the features and functions of the printer.

Configuration Print

Click this button to print a page that describes the printer's current settings.

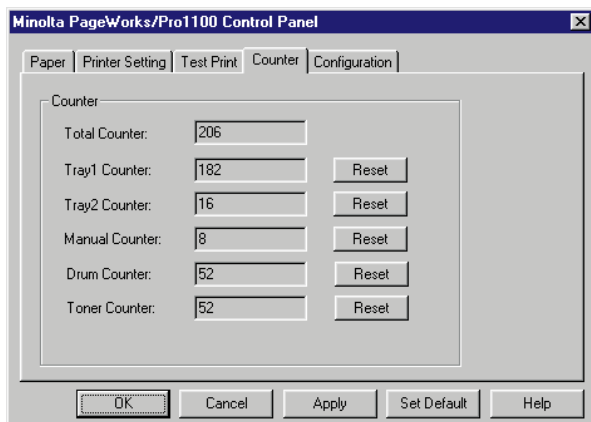
Print the List of PCL Resident Fonts

Click this button to print a sample page of the resident fonts currently installed in your computer.

LED indicator Print

Click this button to print a page that shows the indicator light patterns.

Counter



Total Counter

This box shows the number of pages that have been printed throughout the entire lifetime of the printer. This counter cannot be reset by you.

Tray1 Counter

This counter indicates the number of pages that have been fed from Tray1. Click the **Reset** button to reset this counter.

Tray2 Counter

This counter indicates the number of pages that have been fed from Tray2. Click the **Reset** button to reset this counter.

Manual Counter

This counter indicates the number of pages that have been fed manually. Click the **Reset** button to reset this counter.

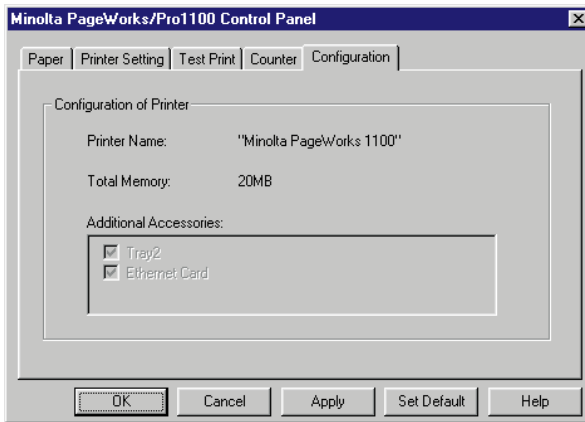
Drum Counter

This box shows the number of pages that have been printed using the currently installed drum unit. Click the **Reset** button to reset this counter whenever you replace the drum.

Toner Counter

This box shows the number of pages that have been printed using the currently installed toner cartridge. Click the **Reset** button to reset this counter whenever you replace the toner cartridge.

Configuration



Printer Name

This item shows the name of the printer connected to your computer.

Total Memory

This item shows the amount of memory currently installed in the printer.

Additional Accessories

This box lists all optional accessories installed on the printer.

Set Default Button

Click this button to restore Control Panel settings to their initial defaults.

Chapter

Maintenance

6

Chapter 6

Maintenance

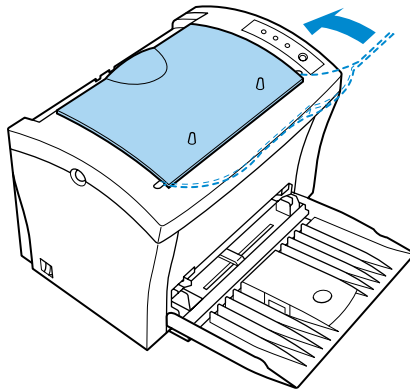
Replacing the Toner Cartridge

Each **toner cartridge** contains enough toner to produce about 6,000 A4/Letter-size prints. The **toner cartridge** that comes with the printer is capable of producing approximately 3,000 A4/Letter-size prints. This is calculated based on an average image density equivalent to a black-to-white ratio of 5% or less. The actual number of pages obtained from a **toner cartridge** depends on the image density of the pages you print.

If printed images start to get light, remove the **toner cartridge** from the printer, rock it back and forth a few times, and then replace it in the printer. If this does not solve the problem, you likely need to replace the **toner cartridge** with a new one.

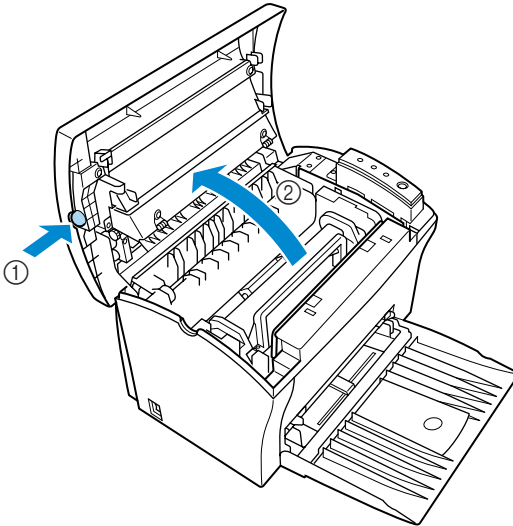
To Replace the Toner Cartridge

- 1 Turn off the printer and disconnect the power cord from the printer.
- 2 Close the **face-down tray**.



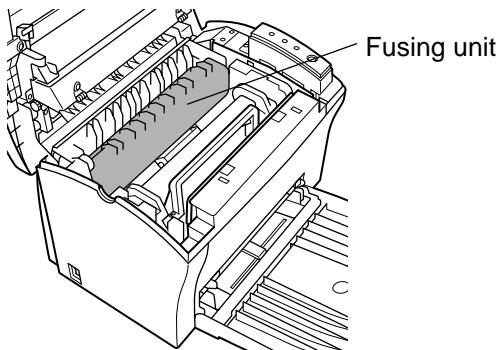
Replacing the Toner Cartridge

- Press the **top cover release button** and open the **top cover** gently.

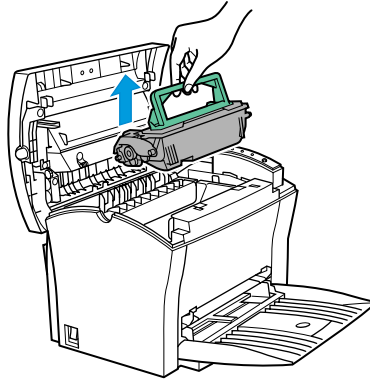


! ATTENTION

- ◆ The fusing unit inside the printer can become very hot during operation. Do not touch the area to avoid injury.



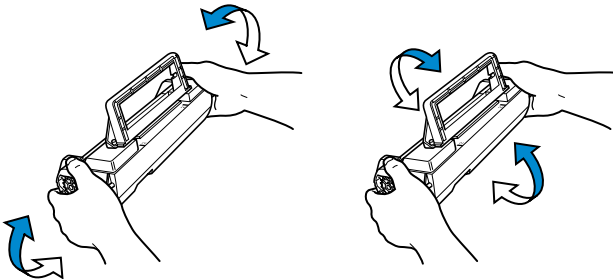
4 Remove the old **toner cartridge**.



Note

- ◆ The **toner cartridge** is made up of non-hazardous materials, and can be disposed of freely. Check local regulations in your area concerning disposal of such items.
- ◆ The life span of the **toner cartridge** is dependent upon the mode and application in which it is used.

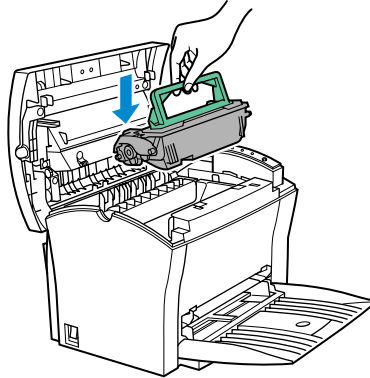
5 Remove the **toner cartridge** from the box it comes packed in. Holding it firmly with both hands, rock it left and right, forward and back in the directions indicated by the arrows in the illustration.



Replacing the Toner Cartridge

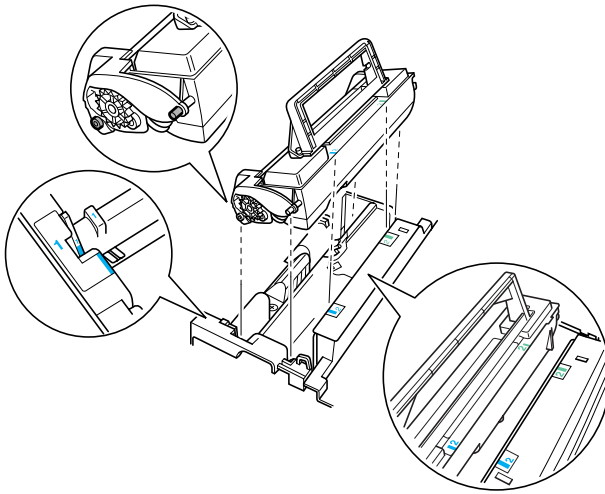
- 6 Holding onto the toner cartridge's handle, lower it into the printer.

Make sure that the four pins (two on each side) fit into the grooves inside the printer.



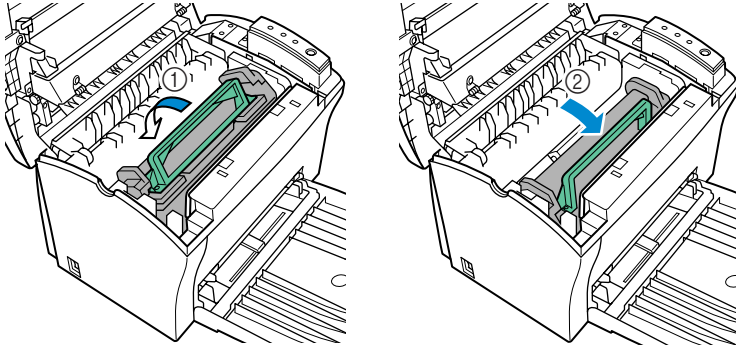
Note

- ◆ Color coordinated “2” labels have been affixed to the **toner cartridge** and to the inside of the printer. Install the **toner cartridge** by aligning these labels.

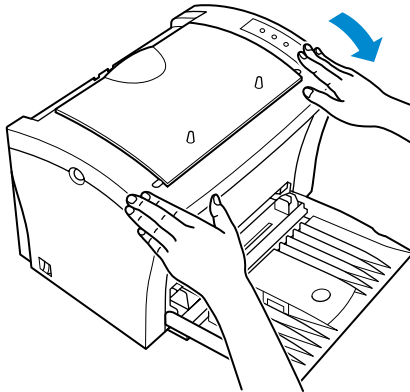


Replacing the Toner Cartridge

The cartridge will click into place when it is completely installed.



- 7 Close the **top cover** and press it down gently but firmly until it locks into place.



To Reset the Counter of the Toner Cartridge

Perform the following procedure to reset the toner cartridge counter after you replace the **toner cartridge**.

- 1** While holding down the **panel button**, turn on the printer.
- 2** Keep the **panel button** held down, and the **Ready** indicator will start to blink. After the **Ready** indicator has blinked for about 5 seconds, release the **panel button**. This should cause all the indicators to start to blink.
- 3** After confirming that all the indicators are blinking, press and hold down the **panel button** again for at least 5 seconds. During this time, the **Ready** indicator only continues to blink and all the other indicators turn off.
- 4** Release the **panel button** and only the **Paper** indicator starts to blink.
- 5** After a few seconds, all the indicators start to blink again, indicating that the toner cartridge counter has been reset.
- 6** Turn off the printer. The printer will be ready to print the next time you turn it on.

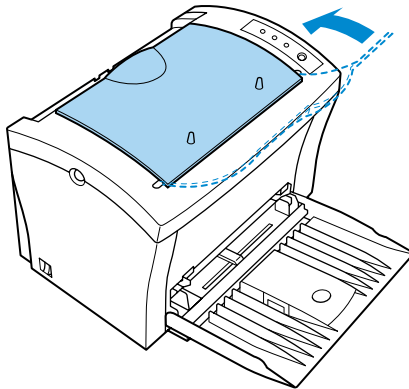
Replacing the Drum Cartridge

Each **drum cartridge** can produce about 20,000 A4/Letter-size prints. The actual number of pages obtained from a **drum cartridge** depends on the image density of the pages you print.

After about 20,000 A4/Letter-size prints, print images start to become faint and blurred. If this happens, use the following procedure to replace the **drum cartridge** with a new one.

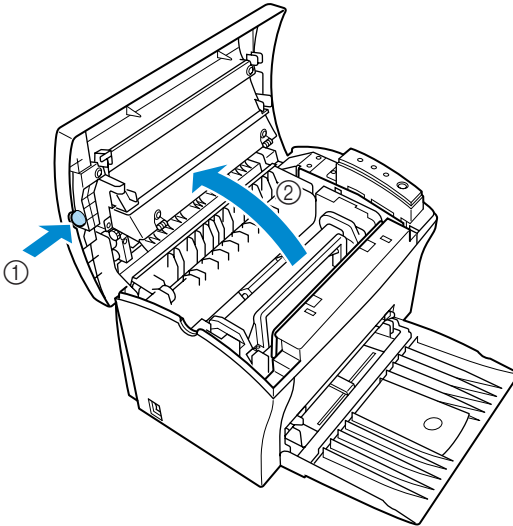
To Replace the Drum Cartridge

- 1 Turn off the printer and disconnect the power cord from the printer.
- 2 Close the **face-down tray**.



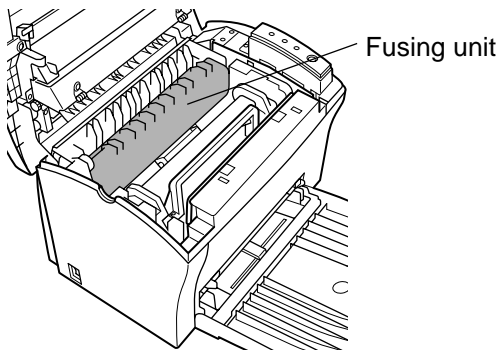
Replacing the Drum Cartridge

- Press the **top cover release button** and open the **top cover** gently.

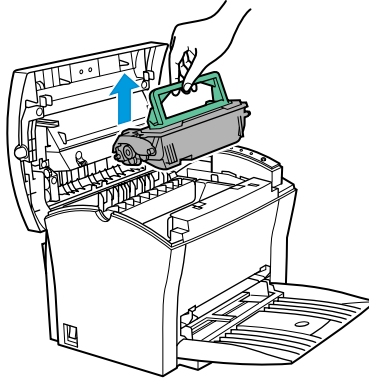


ATTENTION

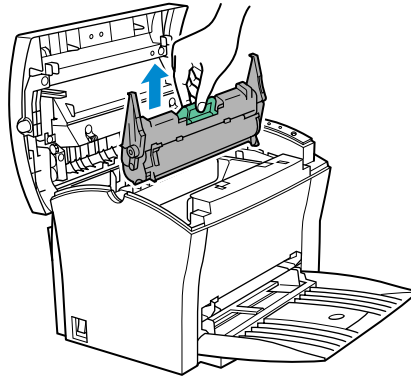
- ◆ The fusing unit inside the printer can become very hot during operation. Do not touch the area to avoid injury.



4 Remove the **toner cartridge**.



5 Remove the old **drum cartridge**.



Note

- ◆ The **drum cartridge** is made up of non-hazardous materials, and can be disposed of freely. Check local regulations in your area concerning disposal of such items.

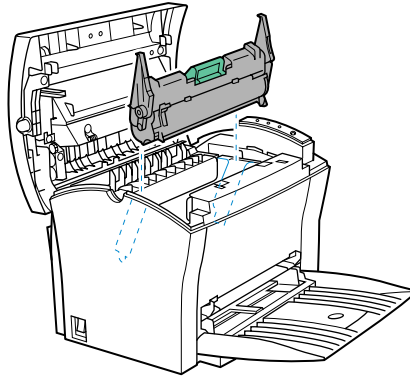
Replacing the Drum Cartridge

- 6 Remove the **drum cartridge** from the box it comes packed in.

Caution

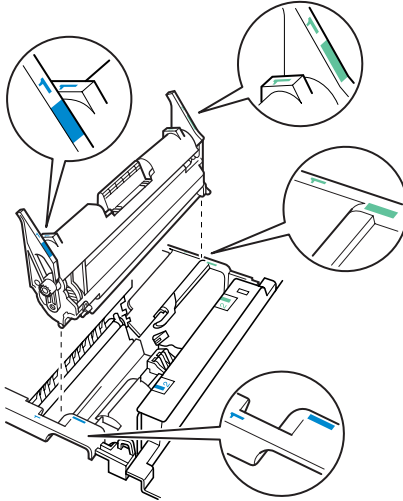
- ◆ If you do not plan to immediately install the drum cartridge into the printer, cover it with a cloth to protect it against over-exposure to light.

- 7 Install the **drum cartridge** into the printer, aligning the guides of the cartridge with the grooves inside the printer.



Note

- ◆ Color coordinated “1” labels have been affixed to the **drum cartridge** and to the inside of the printer. Install the **drum cartridge** by aligning these labels.

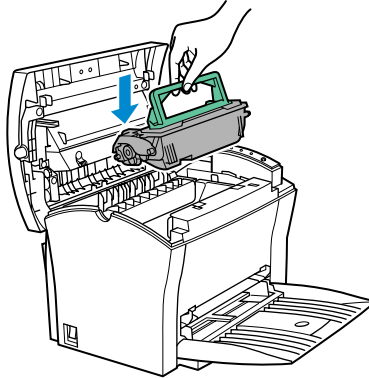


- ◆ Make sure the **drum cartridge** is inserted inside the printer as far as it will go.

Replacing the Drum Cartridge

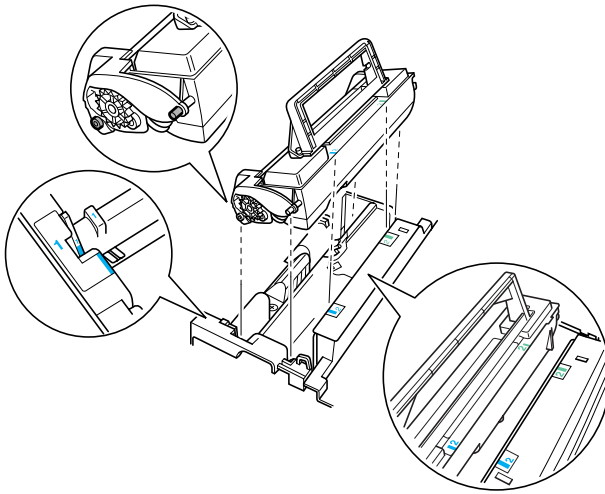
8 Holding onto the toner cartridge's handle, lower it into the printer.

Make sure that the four pins (two on each side) fit into the grooves inside the printer.



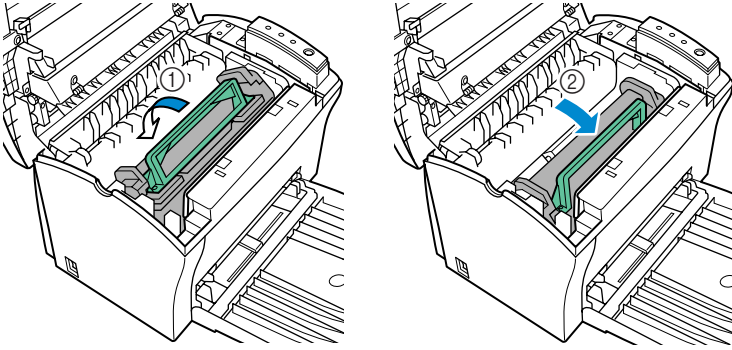
Note

- ◆ Color coordinated “2” labels have been affixed to the **toner cartridge** and to the inside of the printer. Install the **toner cartridge** by aligning these labels.

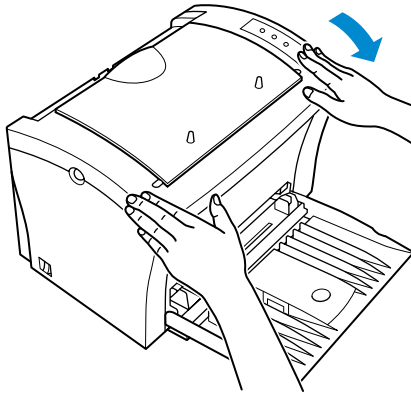


Replacing the Drum Cartridge

The cartridge will click into place when it is completely installed.



- 9** Close the **top cover** and press it down gently but firmly until it locks into place.



To Reset the Counter of the Drum Cartridge

Perform the following procedure to reset the **drum cartridge** counter after you replace the **drum cartridge**.

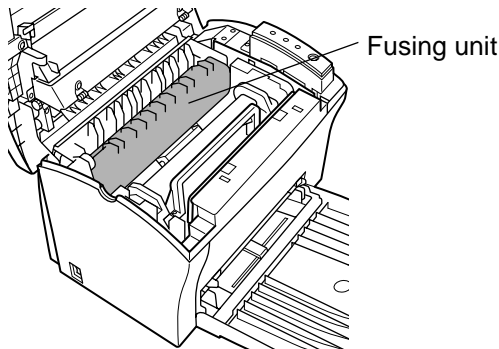
- 1** While holding down the **panel button**, turn on the printer.
- 2** Keep the **panel button** held down, and the **Ready** indicator will start to blink. After the **Ready** indicator has blinked for about 5 seconds, release the **panel button**. This should cause all the indicators to start to blink.
- 3** After confirming that all the indicators are blinking, briefly press the **panel button**. This causes the **Error** indicator to blink and all the other indicators to turn off.
- 4** After a few seconds, all the indicators start to blink again, indicating that the drum cartridge counter has been reset.
- 5** Turn off the printer. The printer will be ready to print the next time you turn it on.

Cleaning the Printer

Dust, dirt, and paper debris on the outer surfaces and inside the printer can interfere with printer performance. Clean the printer regularly.

ATTENTION

- ◆ The fusing unit inside the printer can become very hot during operation. Do not touch the area to avoid injury.



Note

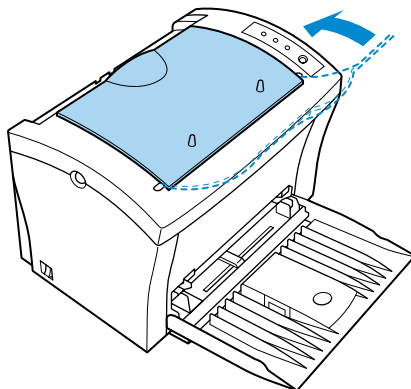
- ◆ Use a soft cloth to clean the printer. Never use abrasives or corrosive detergents.
- ◆ Wait for at least 10 minutes after the printer has been turned off and make sure that the **fusing unit** has cooled before cleaning the interior of the printer.

Cleaning the Outside of the Printer

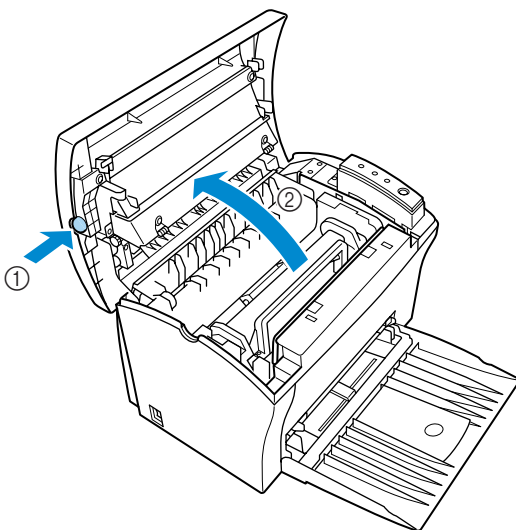
- Wipe the outside of the printer with a soft cloth moistened with a neutral, household detergent.

Cleaning the Paper Feed Roller

- 1 Turn off the printer and unplug the power cord.
- 2 Close the **face-down tray**.



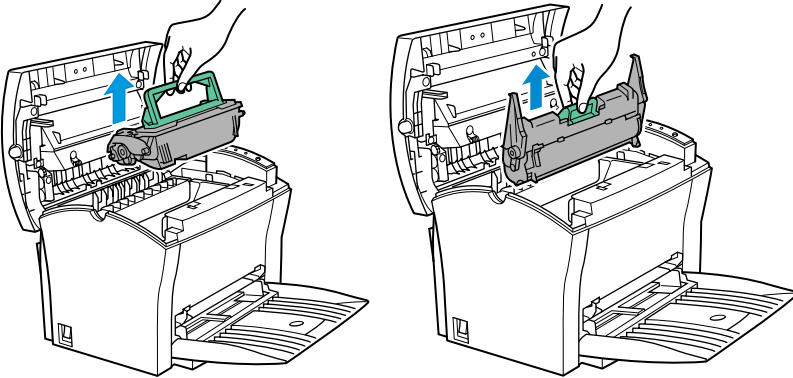
- 3 Press the **top cover release button** and open the **top cover** gently.



! ATTENTION

- ◆ The fusing unit inside the printer can become very hot during operation. Do not touch the area to avoid injury.

4 Remove the **toner cartridge** and the **drum cartridge**.

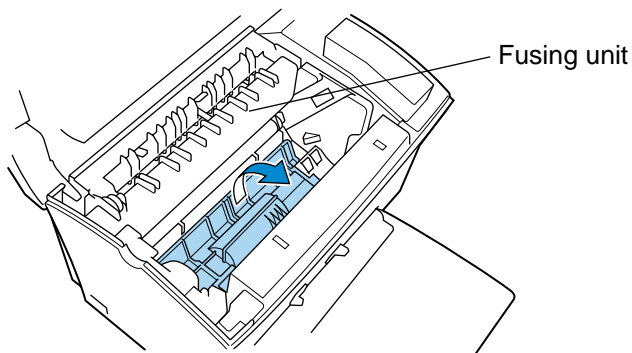


Caution

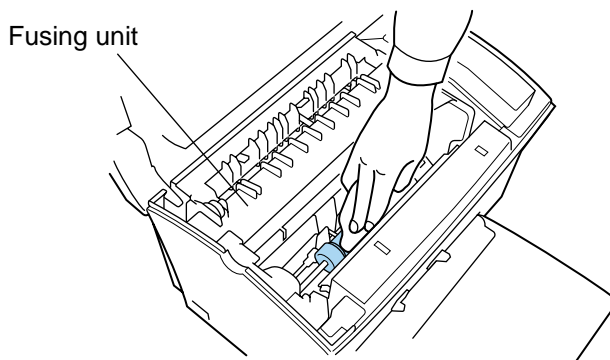
- ◆ Whenever you remove the drum cartridge from the printer, immediately wrap it with a cloth to protect it against overexposure to light.

Cleaning the Printer

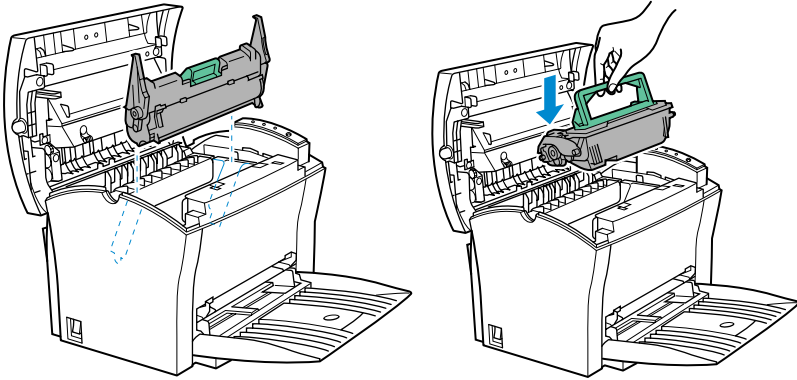
- 5** Pull back on the cover that protects the **paper feed roller** located at the bottom of the printer chamber.



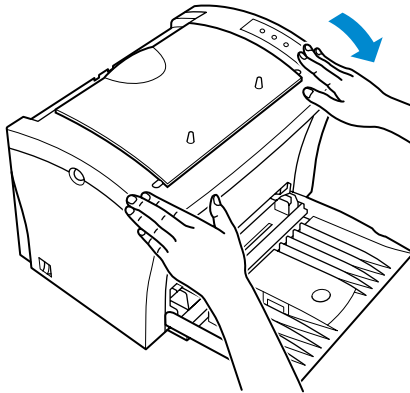
- 6** Use a soft cloth to wipe the **paper feed roller**.



- 7** Reinstall the **drum cartridge** and **toner cartridge**. See “To Replace the Drum Cartridge” on page 6-7 and “To Replace the Toner Cartridge” on page 6-1 for details.



- 8** Close the **top cover** and press it down gently but firmly until it locks into place.



MEMO

Chapter 6

Maintenance



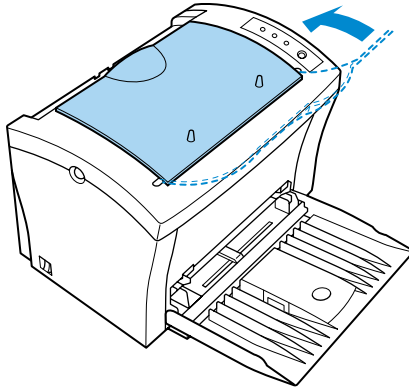
Chapter **7**
Troubleshooting

Clearing a Paper Misfeed

Use the following procedure to remove the misfed paper inside the printer.

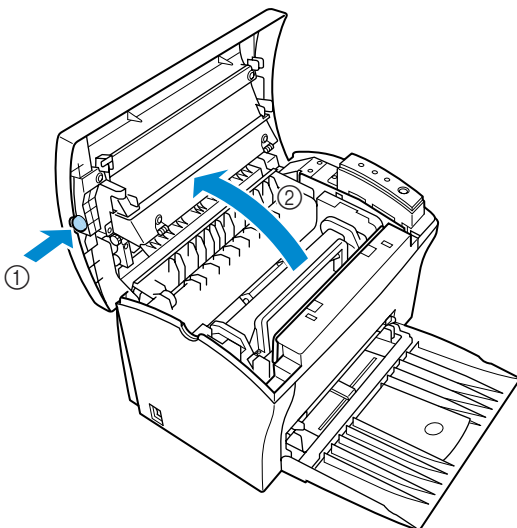
Inside the Printer

- 1 Close the **face-down tray**.



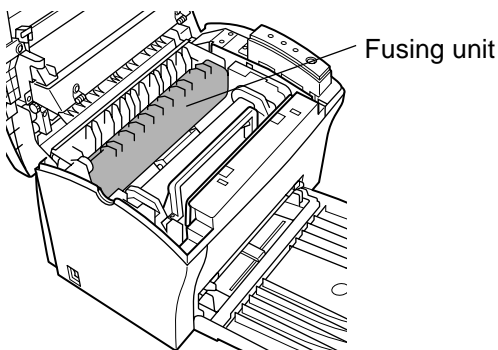
Clearing a Paper Misfeed

- 2 Press the **top cover release button** and open the **top cover** gently.

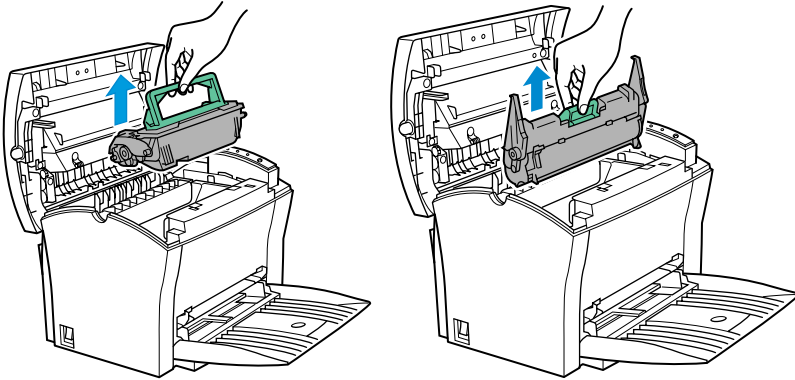


! ATTENTION

- ◆ The fusing unit inside the printer can become very hot during operation. Do not touch the area to avoid injury.



3 Remove the **toner cartridge** and the **drum cartridge**.



Caution

- ◆ Whenever you remove the drum cartridge from the printer, immediately wrap it with a cloth to protect it against overexposure to light.

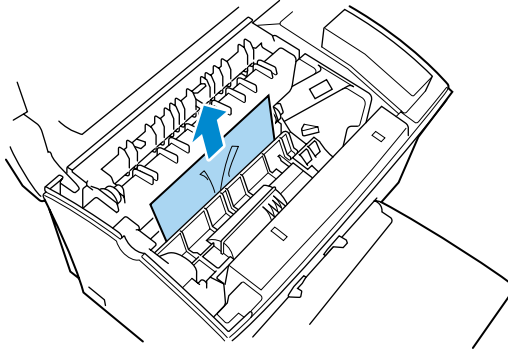
4 Clear the paper misfeed using one of the following procedures depending upon the location of the paper misfeed.

Caution

- ◆ Do not touch the image transfer roller.

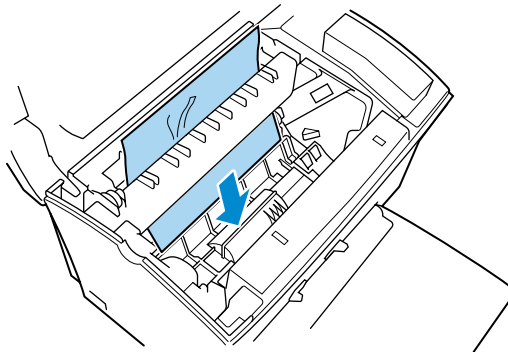
In the Vicinity of the Drum Cartridge

1. Pull the end of the paper that is visible straight out of the printer.



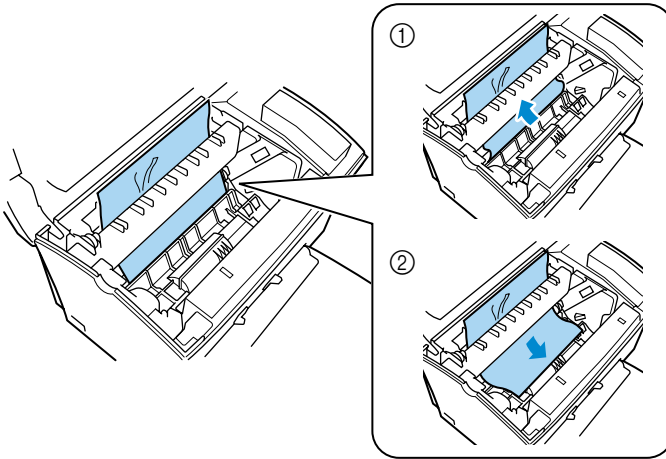
At the Fusing Unit

1. Pull the end of the paper that is visible straight out of the printer.

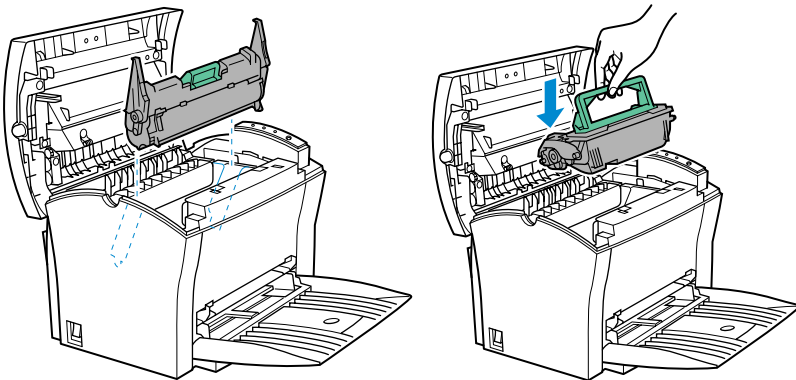


Between the Drum Cartridge and the Fusing Unit

1. If both the top and bottom edges of a misfed page are not visible, pull the bottom of the page up to pull the bottom edge out from under the paper feed roller. Then, grab the bottom edge of the page and pull the rest of the page out from behind the fusing unit.

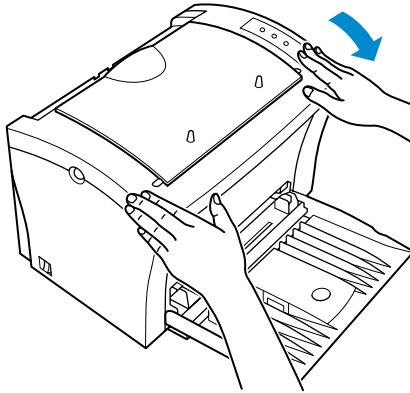


- 5 Reinstall the **drum cartridge** and **toner cartridge**. See “To Replace the Drum Cartridge” on page 6-7 and “To Replace the Toner Cartridge” on page 6-1 for details.



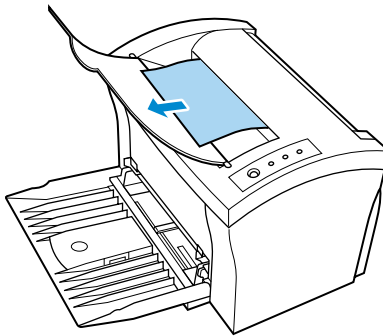
Clearing a Paper Misfeed

- 6 Close the top cover and press it down gently but firmly until it locks into place.



Face-Down Tray

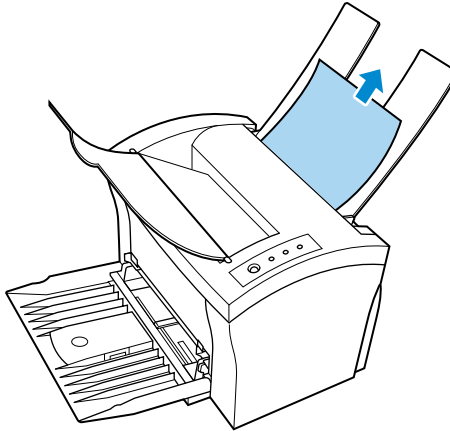
- 1 Pull the misfed paper straight out of the printer.



- 2 After removing a misfed page, be sure to open the **top cover** then close it again to reset the printer.

Face-Up Tray (option)

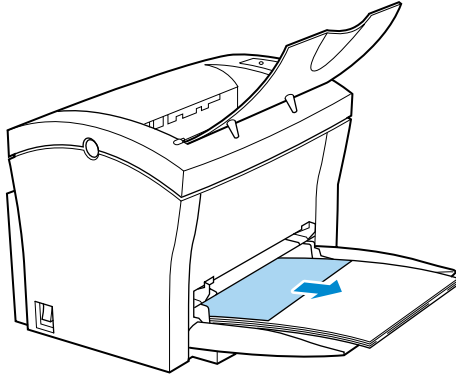
- 1 Pull the misfed paper straight out of the printer.



- 2 After removing a misfed page, be sure to open the **top cover** then close it again to reset the printer.

Tray1

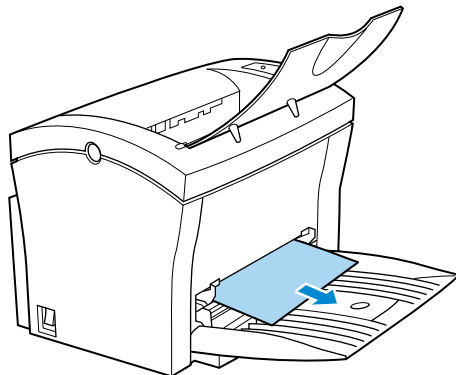
- 1 Pull the misfed paper straight out of the printer.



- 2 After removing a misfed page, be sure to open the **top cover** then close it again to reset the printer.

Manual Feed Tray

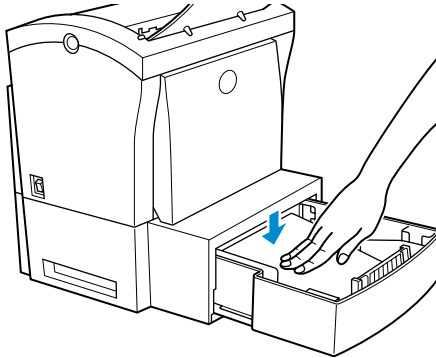
- 1 Pull the misfed paper straight out of the printer.



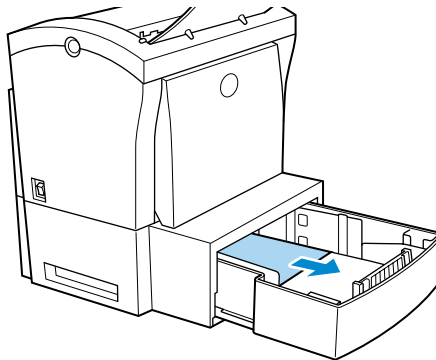
- 2 After removing a misfed page, be sure to open the **top cover** then close it again to reset the printer.

Second Paper Cassette Unit (option)

- 1 Remove the cassette cover and pull out Tray2 from the second paper cassette unit. Press down on the stack of paper until the paper lifting plate locks.



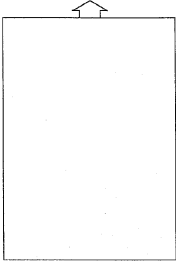

- 2 Remove the stack of paper from the tray and pull the misfed paper straight out of the printer.

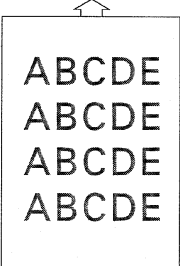
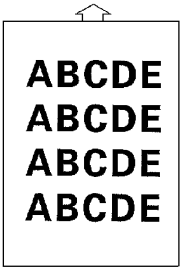


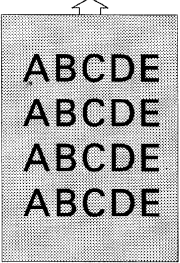
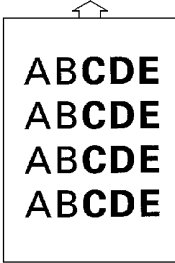
- 3 After removing a misfed page, be sure to open the **top cover** then close it again to reset the printer.

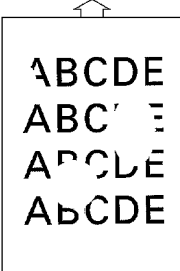
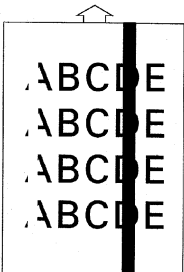
Print Quality Problems

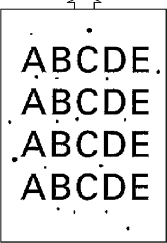
The following provides information on most print quality problems you might encounter. If the advice provided here does not solve your problem, contact your dealer.

Symptom	Cause	Remedy
Blank pages 	The toner cartridge may be running out of toner.	Remove the toner cartridge and rock it left and right a few times to distribute remaining toner. If the problem persists, replace the toner cartridge. See "To Replace the Toner Cartridge" on page 6-1 for details.
	The toner cartridge may be defective.	Remove the toner cartridge and check it for damage. Replace the toner cartridge if necessary. See "To Replace the Toner Cartridge" on page 6-1 for details.
Black pages 	The toner cartridge may be defective.	Remove the toner cartridge and check it for damage. Replace the toner cartridge if necessary. See "To Replace the Toner Cartridge" on page 6-1 for details.
	Your printer may require servicing.	Contact your dealer.

Symptom	Cause	Remedy
Printout too light 	The Toner Density setting of the printer driver may be too light, or the Toner Save setting is set to On.	Change the setting and try printing again.
	The toner cartridge may be running out of toner.	Remove the toner cartridge and rock it left and right a few times to distribute remaining toner. If the problem persists, replace the toner cartridge. See "To Replace the Toner Cartridge" on page 6-1 for details.
	The toner cartridge may be defective.	Remove the toner cartridge and check it for damage. Replace the toner cartridge if necessary. See "To Replace the Toner Cartridge" on page 6-1 for details.
Printout too dark 	The toner cartridge may be defective.	Remove the toner cartridge and check it for damage. Replace the toner cartridge if necessary. See "To Replace the Toner Cartridge" on page 6-1 for details.
	The Toner Density setting of the printer driver may be too dark.	Change the setting and try printing again.

Symptom	Cause	Remedy
<p>Blurred back-ground</p> 	<p>The toner cartridge may be defective.</p>	<p>Remove the toner cartridge and check it for damage. Replace the toner cartridge if necessary. See "To Replace the Toner Cartridge" on page 6-1 for details.</p>
<p>Uneven print density</p> 	<p>The toner may be unevenly distributed inside the toner cartridge.</p>	<p>Remove the toner cartridge and rock it left and right a few times to distribute remaining toner. If the problem persists, replace the toner cartridge. See "To Replace the Toner Cartridge" on page 6-1 for details.</p>
	<p>The drum cartridge may be defective.</p>	<p>Remove the drum cartridge and check it for damage. Replace the drum cartridge if necessary. See "To Replace the Drum Cartridge" on page 6-7 for details.</p>

Symptom	Cause	Remedy
<p>Illegibilities</p> 	<p>The paper may have absorbed some moisture due to high humidity or because of direct contact with water.</p>	<p>Since toner will not adhere well to wet paper, replace the paper you are using with dry paper and try printing again.</p>
<p>White or black line</p> 	<p>The toner cartridge or drum cartridge may be defective.</p>	<p>Remove the cartridges and check them for damage. Replace cartridges if necessary. See "To Replace the Toner Cartridge" on page 6-1 or "To Replace the Drum Cartridge" on page 6-7 for details.</p>

Symptom	Cause	Remedy
<p>Toner smudges</p> 	<p>The toner may be unevenly distributed inside the toner cartridge.</p>	<p>Remove the toner cartridge and rock it left and right a few times to distribute remaining toner. If the problem persists, replace the toner cartridge. See "To Replace the Toner Cartridge" on page 6-1 for details.</p>
	<p>The toner cartridge or drum cartridge may be defective.</p>	<p>Remove the cartridges and check them for damage. Replace the drum cartridge if necessary. See "To Replace the Toner Cartridge" on page 6-1 or "To Replace the Drum Cartridge" on page 6-7 for details.</p>
	<p>The paper feed roller is dirty.</p>	<p>Clean the paper feed roller. See "Cleaning the Paper Feed Roller" on page 6-16 for details. If problems persist, contact your dealer.</p>

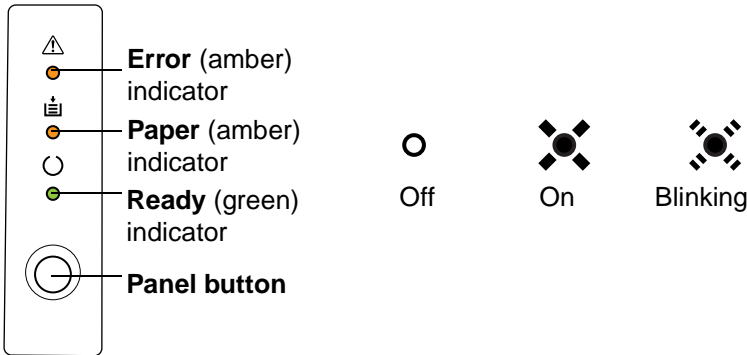
No Output

Symptom	Cause	Remedy
Failure to produce output	There is a communications problem between the printer and your computer.	<p>Check printer cable type against the specifications in "Interface Connector and Cable" on page 8-6.</p> <p>Note</p> <ul style="list-style-type: none">◆ When checking the cable type, make sure that the printer and the computer you are connecting it to are both turned off.◆ When connecting your computer to the parallel connector on the printer, we recommend using a IEEE1284 Type B-compliant interface cable.◆ Be sure to exit Status Monitor before connecting the computer to the printer using a parallel cable. <p>If problems persist, contact your dealer.</p>

Symptom	Cause	Remedy
		<p>Check computer's communication ports settings. Refer to the documentation that comes with your computer and check if its current communications port settings are correct.</p> <p>If problems persist, contact the manufacturer of your computer or the retailer from whom you purchased it to verify correct communication port settings.</p>

Indicator Lights (Printer Messages)

The three indicator lights on the printer's control panel turn on, turn off, or blink in fixed patterns to let you know the current status of the printer. Refer to the following sections for descriptions of each indicator light pattern and the action you need to take when it occurs.



Indicator Light Patterns

The following are the three types of indicator light patterns produced on the control panel.

1. Standard status pattern

Shows the current printer status.

2. Operator call pattern

The printer stops processing and goes offline when this message is shown.

3. Call for service pattern







This pattern is shown when the printer detects a mechanical problem that requires service by an authorized technical representative. Call your dealer if this message is shown.

Indicator Lights (Printer Messages)



Note

- You can find out details of the printer's status by checking the information that appears on your computer screen (see "Starting Up the Status Monitor" on page 5-1).
To print a list that explains the indicator light patterns, click the **LED indicator Print** button on the Test Print tab of the **Minolta PageWorks/Pro 1100 Control Panel** dialog.



Standard Status Patterns


Indicators	Description	Indicators	Description
	Power is off.		Printer is ready.
	Power on initial setting.		Receiving data. Processing data. Printing Warming up
	(Slow blinking) Power save Mode.		Counter reset mode. Canceling the job.

Operator Call Patterns

Indicators	Description	Action
 <p>The indicator lights show a triangle with an exclamation mark (top cover open), a paper with an arrow (paper jam), and three circles (one lit, two unlit).</p>	<p>Top cover is open.</p>	<p>Close the top cover.</p>
 <p>The indicator lights show a triangle with an exclamation mark (memory overflow), a paper with an arrow (paper jam), and three circles (one lit, two unlit).</p>	<p>Print job is too complex. Memory overflow.</p>	<p>Press the panel button to perform a form feed. Install an optional expansion memory (DIMM) into the printer or decrease the amount of data being sent to the printer.</p> <p>If Auto-Continue on the Control Panel dialog is On, the printer performs a form feed automatically when a specified amount of time passes after this error occurs (see "Using the Control Panel" on page 5-6).</p>





Indicator Lights (Printer Messages)

Indicators	Description	Action
	<p>Paper of the wrong size was fed into the printer.</p>	<p>Load paper of the appropriate size onto the paper feed tray and continue printing. If Auto-Continue on the Control Panel dialog is On, the printer resumes printing automatically when a specified amount of time passes after this error occurs (see “Using the Control Panel” on page 5-6).</p>
	<p>Printer is standing by waiting for manual paper feed.</p>	<p>Load a sheet of paper onto the manual feed tray.</p>
	<p>Printer is standing by waiting for feeding from paper feed tray.</p>	<p>Load paper of the appropriate size onto the specified tray (Tray1 or Tray2).</p>
	<p>Paper misfeed.</p>	<p>Clear the misfeed and continue printing.</p>

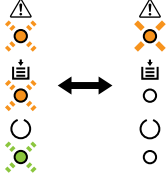
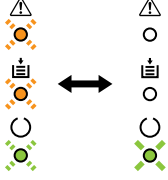
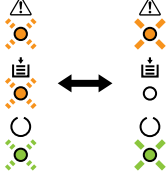
Indicators	Description	Action
	Almost out of paper.	Load paper onto the paper feed tray.

Call for Service Patterns

Whenever any of the indicator light patterns shown below (two patterns are shown alternately) appears, try turning the printer off and then back on again. If the problem persists, contact your dealer.

Indicators	Description	Action
 ↔ 	Engine communication error.	Turn off the printer and contact your dealer.
 ↔ 	Controller error. Engine error (laser).	Turn off the printer and contact your dealer.

Indicator Lights (Printer Messages)

Indicators	Description	Action
	Engine error (fusing unit).	Turn off the printer and contact your dealer.
	Engine error (polygon scanner).	Turn off the printer and contact your dealer.
	Network communication error.	Turn off the printer and contact your dealer.

Chapter
Specifications

8

PagePro 1100 Printer

Type:	Desktop laser beam printer
Print system:	Electrostatic dry powder imaging system
Exposure system:	Laser diode + polygon mirror scanning
Resolution:	1200 × 600 dpi, 600 × 600 dpi, 300 × 300 dpi
Rasterize method:	PCL 6 emulation
Print speed:	10 pages per minute (A4/Letter-size print)
First print:	Within 19 seconds (A4/Letter-size print)
Warm-up time:	23 seconds or less
Paper sizes:	Standard size: A4, A5, JIS B5, Letter, Legal, Executive Commercial 10, Monarch, DL, C5, and B5 envelopes Non standard size: Widths: 76 mm to 216 mm (3 in. to 8-1/2 in.), Lengths: 127 mm to 356 mm (5 in. to 14 in.)
Media:	Plain paper: 60 to 90 g/m ² (16 to 24 lbs.) Recycled paper: 60 to 90 g/m ² (16 to 24 lbs.) Thick paper: 90 to 163 g/m ² (24 to 43-1/4 lbs.) Transparencies, Letterhead, Labels, Envelopes
Paper feeding:	Multipurpose tray, Manual feed tray
Input capacity:	150 sheets

Output capacity:	Face-down tray: 100 sheets Face-up tray: 20 sheets
Operating temperature:	10°C to 35°C (50°F to 95°F) with fluctuation of 10°C (18°F) per hour
Operating humidity:	15% to 85% with fluctuation of 20% per hour
Toner cartridge life:	6,000 A4/Letter-size prints (black-to-white ratio of 5% or less) The toner cartridge that comes with the printer is capable of producing approximately 3,000 A4/Letter-size prints.
Drum cartridge life:	20,000 A4/Letter-size prints (black-to-white ratio of 5% or less)
Power supply:	220 – 240 V at 50 – 60 Hz
Power consumption:	700 W or less
Amperage:	3.0 A or less (220 V)
Interface:	Centronics Parallel (IEEE 1284/ECP)
CPU:	IBM Power PC 401
Standard memory:	4 MB (expandable up to 132 MB)
Options:	Second paper cassette unit, Face-up tray, Network interface card, Expansion memory (DIMM)

External dimensions and weight (without second paper cassette unit)

Height:	260 mm (10-1/4 in.)
Width:	380 mm (15 in.)
Depth:	222 mm (8-3/4 in.)
Weight:	Approximately 7 kg (15-1/2 lbs.)

Second Paper Cassette Unit (Option)

Paper cassette:	Standard equipped: A4 Option: Letter, JIS B5, Legal, Executive
Media:	Plain paper: 60 to 90 g/m ² (16 to 24 lbs.) Recycled paper: 60 to 90 g/m ² (16 to 24 lbs.)
Paper feeding system:	One-way system (multi-feed tray)
Input capacity:	Up to 500 sheets

External dimensions and weight (without paper cassette):

Height:	125 mm (5 in.)
Width:	380 mm (15 in.)
Depth:	323 mm (12-3/4 in.)
Weight:	Approximately 4 kg (8-4/5 lbs.)

Expansion Memory (DIMM: option)

Capacity:	16, 32, 64, 128 MB
Function type:	Burst mode
Access speed:	70 ns or less
Number of pins:	168 pin
Module type:	DIMM (Dual In-line Memory Module)
Operating voltage:	3.3 V
Other conditions:	Non-ECC (However, ECC can be used instead.) CAS Latency 2 (CAS Latency 3 is not compatible.) Synchronous LVTTTL compatible input and output

Interface Connector and Cable

Be sure to use only a parallel interface cable that meets the specifications described below.

Connectors:	Parallel 36-pin connector (printer) EIA 25-pin connector (computer)
Cable type:	Shielded. Each signal and ground pair should be twisted.
Pin assignments:	IEEE 1284 type-B connector

Note

- ◆ Minolta does not warrant the use of any particular cable. The user assumes all responsibility as to the quality and performance of the cable.

Appendix

Glossary

A

Glossary

The following definitions apply specifically to Minolta/QMS printers.

application

A software program that performs a particular function, such as generating graphics or spreadsheets.

ASCII

Acronym for American Standard Code for Information Interchange.

base weight

SEE *paper basis weight*.

bitmap

A text character or graphic image that is defined by a pattern of dots.

click

To press and release a mouse button quickly. Often used to select an object. SEE *double-click*.

control panel

A bank of indicators that show the current status of the printer. Panel buttons that are located on the *control panel* make it possible to perform a variety of different operations.

default

Settings that are preset in the absence of user-specified settings.

dialog box

A box that appears in order for the user to input information or settings required for the printer to operate.

DIMM

Acronym for dual in-line memory module.

display

What appears upon the screen of the computer.

dpi

Acronym for dots per inch. Refers to the resolution that the printer can produce through the measure of dots printed per inch.

double-click

Pressing a mouse button twice in quick succession while keeping the mouse in place. Often used to open a dialog or enable a function.

SEE *click*.

drum cartridge

A part of the printer that picks up toner particles after they have been charged by the laser and then transfers the toner to the paper.

face-down tray

This tray receives the printed documents, face down, as they are outputted from the printer. The tray can hold up to 100 sheets of paper.

face-up tray

This tray receives the printed documents, face up, as they are outputted from the printer. The tray can hold up to 20 sheets of paper.

face-up/face-down selection switch

This switch is used to specify the facing (output) direction of documents as they are output from the printer. When the optional Face up tray is installed, the position of this switch determines whether documents are output from the printer facing up (to Face-up tray) or facing down (to Face-down tray).

500-Sheet Second Cassette

SEE *Tray2*.

fusing unit

A part of the printer that fixes the toner image onto the paper.

gray scale

A series of shades ranging from black to white used to add detail to photo or scanned images, etc.

halftone

A printing technique using a pattern of dots to compose an image. Also known as dithering.

icon

A graphic image on the screen that represents an element.

image transfer roller

The part inside a page printer that transfers the image from the photoconductive drum to the paper.

laser printer

A high-resolution peripheral used to print text and graphics onto paper or other media. A rotating mirror is used to reflect laser beams onto a photosensitive drum; the image of the page is then transferred via electrostatic charged toner. The final image is fused onto a piece of charged paper using heat as it is rolled against the drum, setting the toner onto the paper (or other media).

manual feed tray

An external bay for loading paper into the printer manually.

N-up printing

A series of printer settings that produces multiple, reduced documents on one sheet of paper.

off line

A state in which the printer cannot receive data or perform any other operation.

on line

A state in which the printer can receive data and operate.

operating system

A program or group of programs that control the functions of the computer and its peripheral devices such as the printer.

paper basis weight

The standard for specifying paper weight. The metric standard, applicable to all grades of paper is gm/m^2 . The U.S. system for *basis weight* varies according to the grade of paper and is based upon a 500 sheet ream. The measurement of weight in the U.S. is pounds.

paper feed roller

A rolling mechanism that carries the paper through the various functions of the printer during the printing process.

paper guide(s)

Left and right sliding, adjustable holders that secure the paper onto the paper tray.

paper support

A expansion tray for long-sized paper to be placed on the Tray 1.

parallel interface

An output/input port utilizing multiple data circuitry.

parallel interface connector

A connector that enables the transfer of data between the printer and the computer.

peripheral device

Any device that can be attached to the computer, such as a printer.

power cord socket

Connects the power cord and the printer.

power switch

Turns power to the printer on and off.

printer

A peripheral device that outputs data from a computer onto paper or other media.

printer driver

A software file that manages commands to the printer.

Print Manager

An application that manages the print queue and the print file.

output tray

SEE *face down tray* and *face up tray*.

RAM

Acronym for random-access memory.

resolution

SEE *dpi*.

ROM

Acronym for read only memory.

second paper cassette unit

A tray unit that feeds an additional 500 sheets of paper to the printer.

toner

Ink in the form of a plastic powder that is contained in a cartridge.

toner cartridge

A tube shaped cartridge containing toner powder that is used during the printing process.

top cover

A cover attached to the printer that swings open by pressing a release button. Opening the cover provides easy access to the interior of the printer to perform basic maintenance procedures including the installation and replacement of toner/drum cartridges as well as clearing paper misfeeds.

top cover release button

This button releases the hinge that locks the cover of the printer.
SEE *top cover*.

Tray1

A tray that can hold up to 150 sheets of paper for feeding into the printer.

Tray2

Five types of Tray2 cassettes can be installed into the second paper cassette unit (SEE *second paper cassette unit*). Each cassette can hold up 500 sheets of one of the following paper sizes: A4, B5, Legal, Letter and Executive.

watermark

A superimposed line of text or graphic upon a printed document.

MEMO

Appendix A

Glossary

Appendix

Index

B

- C** Cassette cover **1-4**
 Cleaning the printer **6-15**
 outside of the printer **6-15**
 paper feed roller **6-16**
 Clearing a paper misfeed
 face-down tray **7-6**
 face-up tray **7-7**
 inside the printer **7-1**
 manual feed tray **7-8**
 second paper cassette unit
 7-9
 Tray1 **7-8**
 Computer
 connecting to a computer
 2-17
 system requirements **4-2**
 Configuration page **3-2**
 Control panel **1-2, 1-5, 5-6**
 Counter reset mode **3-1**
- D** DIMM **2-23, 8-5**
 DOS printing utilities **4-41**
 Drum cartridge **1-3**
 replacing the drum cartridge
 6-7
 reset the counter **6-14**
- E** Expansion memory **2-23, 8-5**
- F** Face-down tray **1-2**
 Face-up/Face-down selection
 switch **1-2**
 Face-up tray **2-21**
 Face-up tray (option) **1-4**
 Features **1-1**
 Form feed **3-2**
 Fusing unit **1-3**
- G** Grounding **2-4**
- I** Indicator lights **7-17**
 Indicators
 Error (amber) indicator
 1-5, 7-17
 indicator lights patterns **7-17**
 Paper (amber) indicator
 1-5, 7-17
 Ready (green) indicator
 1-5, 7-17
 Interface cable **8-6**
 Interface connector **8-6**
- J** Job cancel **3-2**
- L** Loading paper
 manual loading **3-10**
 onto Tray1 **3-8**
 onto Tray2 **3-13**
 Location for the printer **2-1**
- M** Maintenance **Chapter 6**
 Manual feed tray **1-2**

- N** Network interface card **2-27**
 - No output **7-15**
- O** Operating system **1-1**
 - Options **2-18**
 - Output directing (printed side up or down) **3-17**
- P** Panel button **1-6, 3-1**
 - Paper
 - size **3-4**
 - type **3-3**
 - Paper guide **1-2**
 - Paper support **1-2**
 - Parallel interface connector **1-2**
 - Power cord
 - connecting the power cord **2-11**
 - power cord socket **1-2**
 - Power source **2-3**
 - Power switch **1-2**
 - Precautions **2-1, 2-5**
 - Printable area **3-6**
 - Printer **8-1**
 - Printer driver
 - displaying the setup dialog **4-16, 4-21**
 - installing under Windows 3.1 **4-12**
 - installing under Windows 95/Windows 98/Windows NT 4.0 **4-3**
 - uninstalling the printer driver **4-39**
 - Printer parts and accessories **1-2**
 - Printer supplies **2-7**
 - Print quality problems **7-10**
 - S** Safety Information **i**
 - Second paper cassette unit **2-18, 8-4**
 - Second paper cassette unit (option) **1-4**
 - Setting-up **2-11**
 - Space requirements
 - printer **2-2**
 - with face-up tray **2-21**
 - with second paper cassette unit **2-18**
 - Specifications **Chapter 8**
 - Status Monitor **5-1**
 - T** Testing the printer **2-15**
 - Toner cartridge **1-3**
 - replacing the toner cartridge **6-1**
 - reset the counter **6-6**
 - Top cover **1-3**
 - Top cover release button **1-2**
 - Tray1 (multipurpose tray) **1-2**
 - Tray2 (500-sheet second cassette) **1-4**
 - Troubleshooting **Chapter 7**
 - U** Unpacking **2-8**



© 1999 MINOLTA CO., LTD.

The information contained in this manual is subject to change without notice to incorporate improvements made on the product or products the manual covers.

MIMOLTA CO., LTD.

Image Information Products Marketing Headquarters, 3-13, 2-chome, Azuchi-machi, Chuo-ku, Osaka. 541-8556, Japan

Free Manuals Download Website

<http://myh66.com>

<http://usermanuals.us>

<http://www.somanuals.com>

<http://www.4manuals.cc>

<http://www.manual-lib.com>

<http://www.404manual.com>

<http://www.luxmanual.com>

<http://aubethermostatmanual.com>

Golf course search by state

<http://golfingnear.com>

Email search by domain

<http://emailbydomain.com>

Auto manuals search

<http://auto.somanuals.com>

TV manuals search

<http://tv.somanuals.com>