



Installation Manual with Service Replacement Parts



MD-1000HT



MD-1000LT

Door-type Dishwasher

Models:

MD-1000HT

Pumped rinse high temperature sanitizing
w/built-in stainless steel electric booster

MD-1000LT

Pumped rinse low temperature sanitizing
w/3 built-in chemical dispensing pumps



Dishwasher serial no.



www.moyerdiebel.com

Issue Date: 3.14.06

Manual P/N 114156 rev.—

For machines beginning with S/N D2466 and above

File: DTMVC0214.6

P.O. Box 4183
Winston-Salem, NC 27115
336/661-1992 Fax: 336/661-1660
Toll-free: 800.858.4477

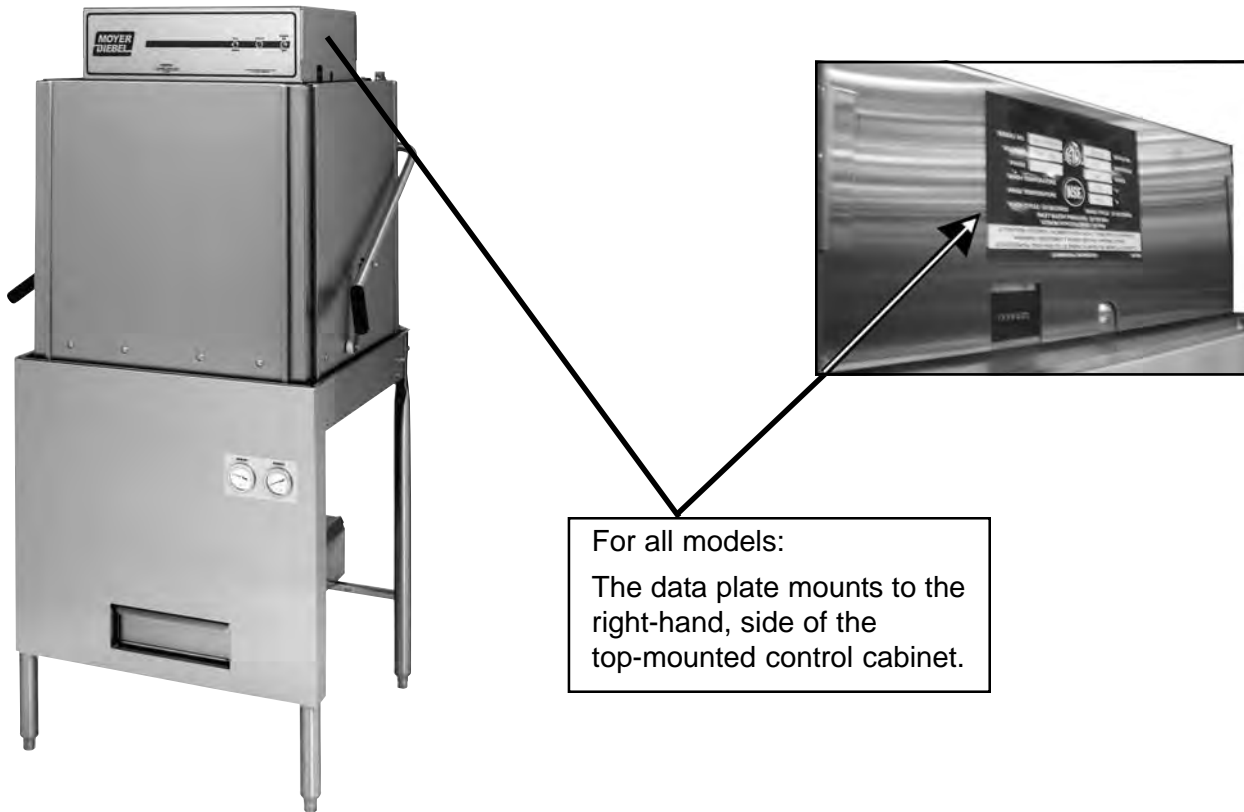
2674 N. Service Road, Jordan Station
Ontario, Canada L0R 1S0
905/562-4195 Fax: 905/562-4618
Toll-free: 800.263.5798

Printed in the USA



For future reference, record your dishwasher information in the box below.

Model Number _____	Serial Number _____
Voltage _____ Hertz _____	Phase _____
Moyer Diebel Service Agent _____	Tel: _____
Moyer Diebel Parts Distributor _____	Tel: _____



National Service Department



In Canada:

Toll-free: 800/ 263-5798
Tel: 905/ 562-4195
Fax: 905/ 562-4618
email: service@moyerdiebellimited.com



In the USA:

Toll-free: 800/ 858-4477
Tel: 336/ 661-1992
Fax: 336/ 661-1660
email: service@moyerdiebel.com

ATTENTION:

The dishwasher model no., serial no., voltage, Hz and phase are needed to identify your machine and to answer questions.

Please have this information on-hand if you call for service assistance.



Revisions to this manual

- This is where we record changes to the manual. A revision might be a part number change, new instructions, or information that was not available at the time of printing.
- We reserve the right to make changes to this manual without notice and without incurring any liability by making the changes.
- Dishwasher owners may request a revised manual, at no charge, by calling 1 (800) 858-4477 in the USA or 1 (800) 263-5798 in Canada.

Revision Date	Revised Pages	Serial Number Effectivity	Revision Description
3.14.06	All	D2466	Released first edition

***Dear Owner:
Thank-you for choosing our dishwasher.
We appreciate your business.***

This manual covers two models:

MD-1000HT Pumped rinse high temperature door -type dishwasher with standard built-in booster in 40° F/22° C rise or an optional 70° F/39° C rise booster.

MD-1000LT Pumped rinse low temperature chemical sanitizing door-type dishwasher with built-in chemical dispensing pumps for detergent, rinse-aid, and sanitizer.

The installation, and initial start-up of your dishwasher must be performed by qualified electricians, plumbers, and authorized service technicians who are trained in commercial dishwashers.

Defects and repairs resulting from the improper installation of your dishwasher cannot be covered by the dishwasher warranty.

***Mr. or Ms. Installer:
Please read the installation guide before you begin.***

***Thank you,
Your Dishwasher!***

Table of Contents

Revisions to this manual _____	iii
Limited Warranty _____	vi

Installation Guide

MD-1000HT: High temperature Door-type Dishwasher _____ pg.2

- | | |
|---|--|
| <input checked="" type="checkbox"/> <i>Unpack and Place</i> | <input checked="" type="checkbox"/> <i>Water Connection</i> |
| <input checked="" type="checkbox"/> <i>Drain Connection</i> | <input checked="" type="checkbox"/> <i>Electrical Connection</i> |
| <input checked="" type="checkbox"/> <i>Ventilation</i> | <input checked="" type="checkbox"/> <i>Chemical Dispensers</i> |

	Initial Start-up
	How to Operate your dishwasher
	How to Clean your dishwasher
	How to Maintain your dishwasher
	The Troubleshooter

MD-1000LT: Low Temperature Door-type Dishwasher _____ pg.26

- | | |
|---|--|
| <input checked="" type="checkbox"/> <i>Unpack and Place</i> | <input checked="" type="checkbox"/> <i>Water Connection</i> |
| <input checked="" type="checkbox"/> <i>Drain Connection</i> | <input checked="" type="checkbox"/> <i>Electrical Connection</i> |
| <input checked="" type="checkbox"/> <i>Ventilation</i> | <input checked="" type="checkbox"/> <i>Chemical Dispensers</i> |

Initial Start-up

	How to Operate your dishwasher
	How to Clean your dishwasher
	How to Maintain your dishwasher
	The Troubleshooter

All Models

Service Replacement Parts _____	pg.43
Appendix A: (Specification Sheets)	
Electrical Schematics	

Limited Warranty

Moyer Diebel, P.O. Box 4183, Winston-Salem, North Carolina 27115, and P. O. Box 301, 2674 North Service Road, Jordan Station, Ontario, Canada L0R 1S0 warrants machines, and parts, as set out below.

Warranty of Machines: Moyer Diebel warrants all new machines of its manufacture bearing the name "Moyer Diebel" and installed within the United States and Canada to be free from defects in material and workmanship for a period of one (1) year after the date of installation or fifteen (15) months after the date of shipment by Moyer Diebel, whichever occurs first. [See below for special provisions relating to Model Series DF and SW.] The warranty registration card must be returned to Moyer Diebel within ten (10) days after installation. If warranty card is not returned to Moyer Diebel within such period, the warranty will expire after one year from the date of shipment.

Moyer Diebel will not assume any responsibility for extra costs for installation in any area where there are jurisdictional problems with local trades or unions.

If a defect in workmanship or material is found to exist within the warranty period, Moyer Diebel, at its election, will either repair or replace the defective machine or accept return of the machine for full credit; provided, however, as to Model Series DF and SW, Moyer Diebel's obligation with respect to labor associated with any repairs shall end (a) 120 days after shipment, or (b) 90 days after installation, whichever occurs first. In the event that Moyer Diebel elects to repair, the labor and work to be performed in connection with the warranty shall be done during regular working hours by a Moyer Diebel authorized service technician. Defective parts become the property of Moyer Diebel. Use of replacement parts not authorized by Moyer Diebel will relieve Moyer Diebel of all further liability in connection with its warranty. In no event will Moyer Diebel's warranty obligation exceed Moyer Diebel's charge for the machine. The following are not covered by Moyer Diebel's warranty:

- a. Lighting of gas pilots or burners.
- b. Cleaning of gas lines.
- c. Replacement of fuses or resetting of overload breakers.
- d. Adjustment of thermostats.
- e. Adjustment of clutches.
- f. Opening or closing of utility supply valves or switching of electrical supply current.
- g. Adjustments to chemical dispensing equipment.
- h. Cleaning of valves, strainers, screens, nozzles, or spray pipes.
- i. Performance of regular maintenance and cleaning as outlined in operator's guide.
- j. Damages resulting from water conditions, accidents, alterations, improper use, abuse, tampering, improper installation, or failure to follow maintenance and operation procedures.

Examples of the defects not covered by warranty include, but are not limited to: (1) Damage to the exterior or interior finish as a result of the above, (2) Use with utility service other than that designated on the rating plate, (3) Improper connection to utility service, (4) Inadequate or excessive water pressure, (5) Corrosion from chemicals dispensed in excess of recommended concentrations, (6) Failure of electrical components due to connection of chemical dispensing equipment installed by others, (7) Leaks or damage resulting from such leaks caused by the installer, including those at machine table connections or by connection of chemical dispensing equipment installed by others, (8) Failure to comply with local building codes, (9) Damage caused by labor dispute.

Warranty of Parts: Moyer Diebel warrants all new machine parts produced or authorized by Moyer Diebel to be free from defects in material and workmanship for a period of 90 days from date of invoice. If any defect in material and workmanship is found to exist within the warranty period Moyer Diebel will replace the defective part without charge.

DISCLAIMER OF WARRANTIES AND LIMITATIONS OF LIABILITY. MOYER DIEBEL'S WARRANTY IS ONLY TO THE EXTENT REFLECTED ABOVE. CHAMPION MAKES NO OTHER WARRANTIES, EXPRESS OR IMPLIED, INCLUDING, BUT NOT LIMITED, TO ANY WARRANTY OF MERCHANTABILITY, OR FITNESS OF PURPOSE. MOYER DIEBEL SHALL NOT BE LIABLE FOR INCIDENTAL OR CONSEQUENTIAL DAMAGES. THE REMEDIES SET OUT ABOVE ARE THE EXCLUSIVE REMEDIES FOR ANY DEFECTS FOUND TO EXIST IN MOYER DIEBEL DISHWASHING MACHINES AND MOYER DIEBEL PARTS, AND ALL OTHER REMEDIES ARE EXCLUDED, INCLUDING ANY LIABILITY FOR INCIDENTALS OR CONSEQUENTIAL DAMAGES.

Moyer Diebel does not authorize any other person, including persons who deal in Moyer Diebel Dishwashing Machines to change this warranty or create any other obligation in connection with Moyer Diebel Dishwashing Machines.

Installation Guide



Unpack and Place MD-1000HT

1. Check the corrugated box that protected the dishwasher during shipment for punched holes or impact marks.
2. Inspect the shipping pallet for splintered or broken boards.
3. Inspect the exterior of the dishwasher while still mounted on the pallet for signs of damage.
4. Contact the freight company immediately if damage is found and save all packing for inspection to verify your damage claim.
5. Report the damage to your equipment supplier. They will contact our factory for repair or replacement of damaged components.
6. If no damage is found, proceed with lifting the dishwasher from its pallet. Be careful to lift the dishwasher by the main frame if using a forklift.
7. Make sure the four legs are screwed firmly in place after landing the machine.
8. Check the packing list to ensure all accessories are with the dishwasher.
9. Open the doors and remove the dishracks inside the machine and locate the postpaid warranty cards.
10. Complete the warranty card and drop in the mail immediately.
11. Move the dishwasher close to its permanent location.
12. Locate the Quick Check Installation Card glued on the front door of the dishwasher. The card has a check list to familiarize the installer with the dishwasher installation procedures detailed in this manual.
13. Remove the protective covering from the dishwasher and identify the utility connections. Information cards and stickers must not be removed from the dishwasher until the installation is complete.
14. Locate but do not remove the set of 2 keys attached to the back of the top-mounted control cabinet.

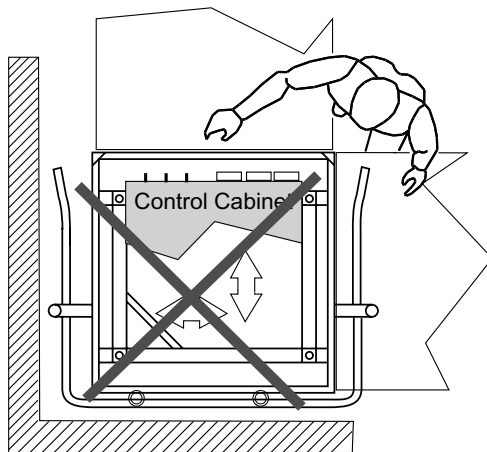
Installation Guide



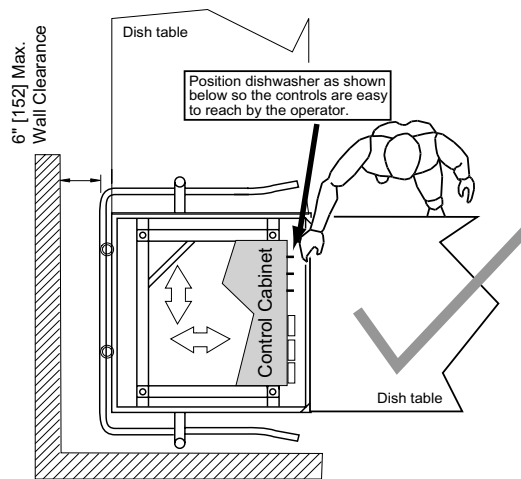
Unpack and Place MD-1000HT

1. The installation of your dishwasher must be performed by qualified service personnel.
2. Problems due to improper installation are not covered by the Warranty.
3. Compare the utilities at the installation site with the specifications listed on each model's specification sheets (See Appendix A at the end of this manual)
4. The dishwasher data plate is located on the left, rear-corner of the top-mounted control cabinet.
5. Study the configuration diagrams below. They show the 2 ways that the dishwasher may be positioned.

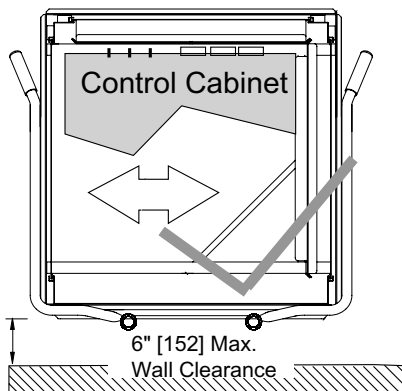
Corner and straight-through dishwasher configurations



Incorrect Corner Configuration



Correct Corner Configuration



Straight-through Configuration

Note:

The correct corner installation places the dishwasher so the top-mounted controls are easy to reach.

The minimum distance from wall to dishwasher is 4" [103mm]. The maximum distance is 6" [129].

The room ceiling height must be a minimum of 80" [2032mm] so the doors can be removed completely.

Installation Guide



Unpack and Place MD-1000HT

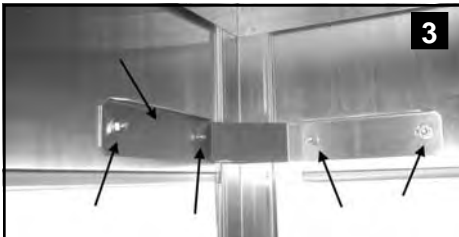
1. All dishwashers ship in the straight-through configuration.
2. Relocate the tracks and remove the wall-side door link components to convert the dishwasher for corner operation.



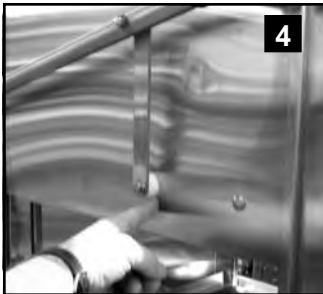
Move Part 1



Move Part 2



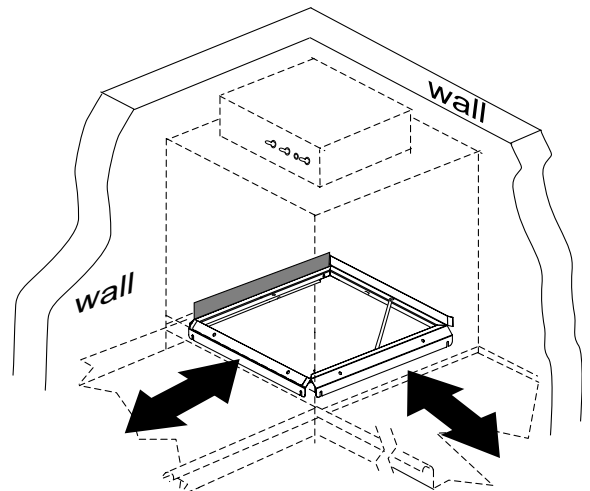
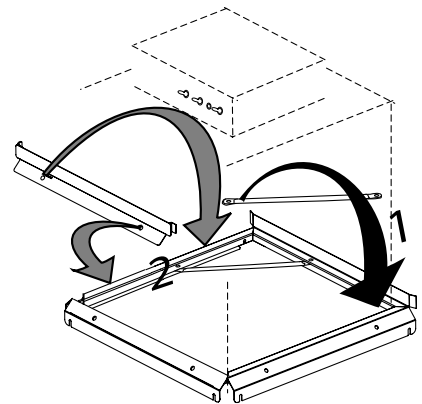
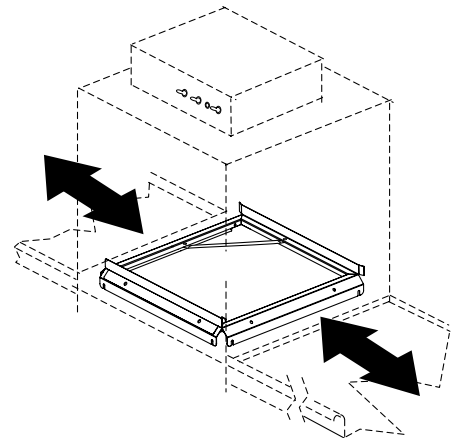
Remove Interior Door Bracket



Remove Door Linkage



Adjust Door Spring Tension



Installation Guide _____



Unpack and Place MD-1000HT

1. Compare the dishwasher and site utility connections.
2. Level the dishwasher by adjusting the bullet feet.
3. Raise the doors and check the door clearance to the ceiling.
4. Move the dishwasher to its permanent location.

Note:

Installers must follow applicable sanitation, safety, plumbing, and electrical codes and regulations; and work in accordance with best practices for dishwasher installation.

Utility Connections - MD-1000HT

Power:	208-240V Single or Three Phase
Water supply:	3/4" NPT hot water supply (140°F/60°C minimum) for 40° F/22° C rise booster (35 psi/241 KPa static pressure) 7-10 psi/63-69Kpa flow pressure
	3/4" NPT hot water supply (110°F/43°C minimum) for 70° F/39° C rise booster (35 psi/241 KPa static pressure) 7-10 psi/63-69Kpa flow pressure
Drain:	1-7/8" stainless steel, slip-fit hose connection Max flow: 15 Us gal/min. (13.5 Imperial gal/min) 57liters/min.
Chemicals:	Detergent and rinse-aid products are supplied by a chemical supplier

Installation Guide



Electrical Connection MD-1000HT

Warning:

The dishwasher must be electrically grounded according to all local codes and regulations governing the installation of electrical service.

Warning:

Disconnect the main electric supply and place a tag at the fuse or disconnect switch indicating that work is being performed on that circuit.

1. Locate the control cabinet keys on the rear of the control cabinet.
2. Remove 1 key to unlock the cabinet; do not remove the other key.
3. Unlock the control cabinet and remove the cover.
4. Locate the power cable knock out and main terminal block on the left-side of the cabinet.
5. Locate the Machine Electrical Connection Data Plate mounted near the terminal block.

The MACHINE ELECTRICAL CONNECTION DATA PLATE is the certified authority for the dishwasher power requirements. DO NOT use electrical data from any other source unless an authorized factory representative instructs you to use other data.

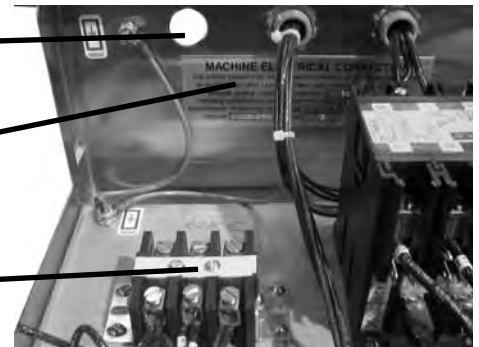
6. Connect the electric service to the dishwasher.



Cable knock-out

Machine Electrical
Connection Data Plate

Main terminal block



ATTENTION ELECTRICIAN

The Model MD-1000HT dishwasher must not be turned ON at the dishwasher's power switch located on the front of the top-mounted control cabinet without performing an Initial Start-up at the same time.

Powering the dishwasher without performing the Initial Start-up may damage the dishwasher's electrical circuits.

Installation Guide _____



Water Connection MD-1000HT

1. Locate the built-in stainless steel booster on the left-side of the dishwasher.

Note:

The existing hot water supply lines to the dishwasher must be 3/4" NPT or larger. To the best of your ability inspect, and verify that all supply piping meets the 3/4" NPT requirement.

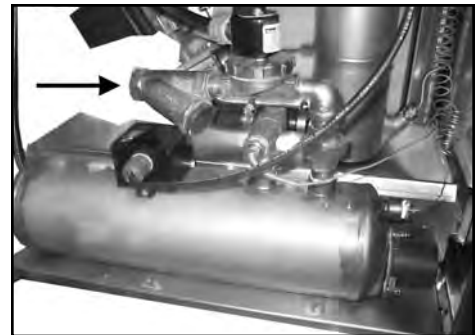
Note:

The installing plumber must connect a water supply line to the dishwasher that is equal to or greater than 3/4" NPT in size and a 3/4" pressure regulating valve, PRV (not supplied).

Dishwasher temperature and water pressure requirements:

140°F/60°C minimum) for 40° F/22° C rise booster
(35 psi/241 KPa static pressure)
7-10 psi/63-69Kpa flow pressure

(110°F/43°C minimum) for 70° F/39° C rise booster
(35 psi/241 KPa static pressure)
7-10 psi/48-69Kpa flow pressure



2. Connect a 3/4" NPT hot water supply to the dishwasher at the line strainer.

Note:

The following components **are not required** for proper dishwasher operation, but are **highly recommended**, because they make servicing of the dishwasher much faster.

Install the following components (not supplied) in the hot water supply line:

- 1) 3/4" or larger water shut-off valve near the machine in the water supply line.
- 2) ASSE 1010 Water hammer arrestor upstream from the shut-off valve.
- 3) Pressure gauge 0-60 PSI minimum downstream from the PRV.
- 4) Temperature gauge 0-180°F/82°C (not supplied) downstream from the gauge.

***This Page
Intentionally
Left Blank***

Installation Guide _____



Drain Connection MD-1000HT

Continued from page 7

1. Locate the dishwasher drain connection underneath the machine frame.
2. Install a drain line conforming to local plumbing and health regulations.

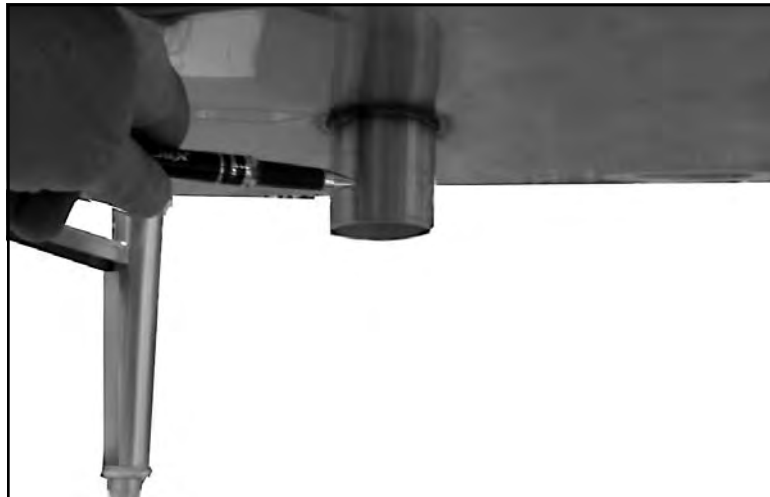
Drain: 1-7/8" stainless steel, slip-fit hose connection

Max flow:

15 US gal/min.

13.5 Imperial gal/min

57liters/min.



Ventilation MD-1000HT

1. The factory has no requirements for vent hoods; but, local codes and regulations in your area supersede our suggestions. Consult your local building and health authorities for local requirements.
2. Dishroom ventilation must provide sufficient airflow to prevent excessive humidity in the work area. 200-400cfm/ 5.6 - 11.3 k Liters/min - is sufficient.
3. The dishwasher must not be subjected to continual drafts or cold air.

Installation Guide



Chemical Dispensers MD-1000HT

1. The MD-1000HT high temperature dishwasher sanitizes with 180-195° F/82-91° C hot final rinse water.
2. Do not connect a sanitizer chemical dispenser to the MD-1000HT.
3. You may wish to contact a chemical supplier to supply the chemical dispensers and chemicals for liquid detergent and liquid rinse-aid. (Consult your local listings).
4. The chemical supplier must adjust their dispensers to provide the proper dosages for the installed dispensing system.
5. The factory may have supplied the chemical dispensing system as an option. Your chemical supplier must adjust factory dispensers for the chemicals supplied also.

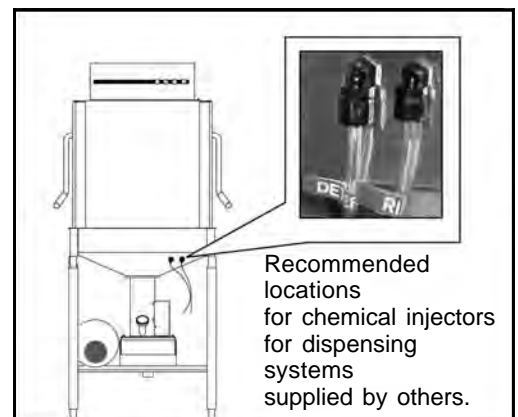
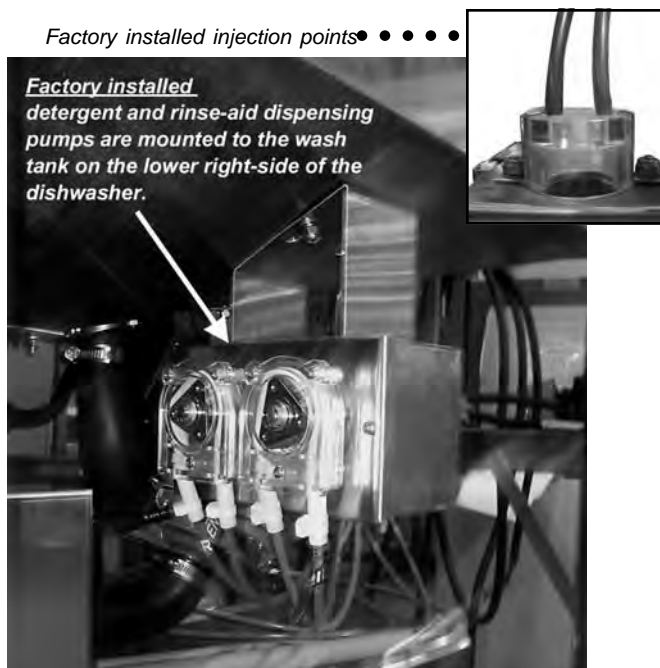
Note:

Manual dosing of detergent or rinse-aid is **NOT RECOMMENDED** for the MD-1000HT dishwasher. Poor washing results may result if manual dosing is employed..

Note:

Cartridge detergent systems are **NOT RECOMMENDED** for the MD-1000HT dishwasher. Poor washing results may result if installed on this model.

6. The factory recommends that the chemical injectors be installed in the right front corner of the wash tank as shown below.



Continued on page 10

Installation Guide _____



Chemical Dispensers MD-1000HT

Continued from page 9.

115VAC Power Connections for Chemical Dispensers

FOR QUALIFIED INSTALLERS ONLY

Warning:

Chemical dispensers must be electrically grounded in compliance with applicable electric codes.

Warning:

Disconnect the main electric supply and place a tag at the fuse or disconnect switch indicating that work is being performed on that circuit.

Caution:

Connecting chemical dispensers at points other than those recommended by the factory may damage the dishwasher electrical system.

Damage caused by the installation of chemical equipment will not be covered by our WARRANTY.

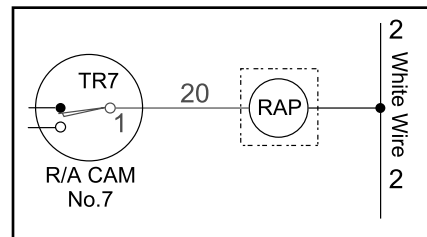
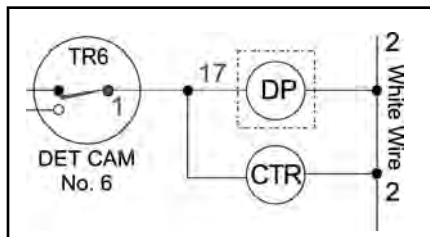
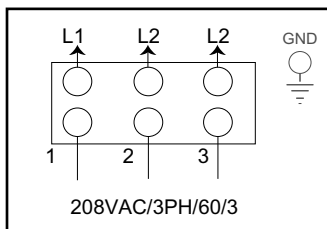
1. Unlock the top-mounted control cabinet with the key. two keys should be stowed behind the control cabinet. The installing electrician used one key during their installation.
2. Locate the cycle timer mounted in the right-rear corner of the control cabinet.
3. Refer to the MD-1000HT electrical schematic located at the end of this manual.

Installation Guide

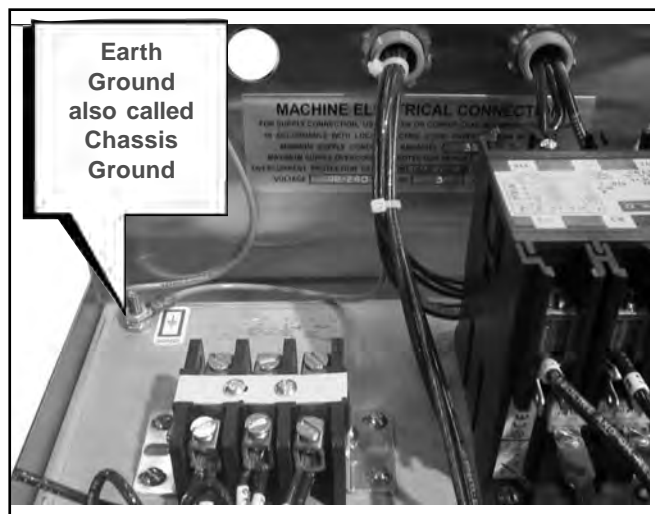
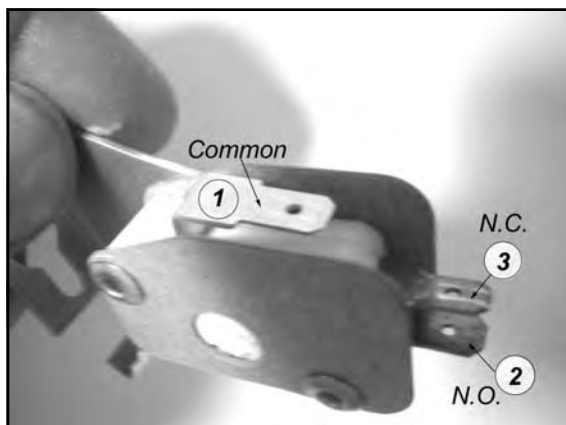


Chemical Dispensers MD-1000HT

4. The diagrams below are taken from the electrical schematic and are shown to help you locate and focus on the steps necessary to connect the your dispensing pumps to the dishwasher.



Main terminal block and ground lug	Detergent dispensing pump & cycle Timer cam No.6 with timer microswitch	Rinse-aid dispensing pump & cycle timer cam No.7 with timer microswitch
------------------------------------	---	---



Continued on page 12

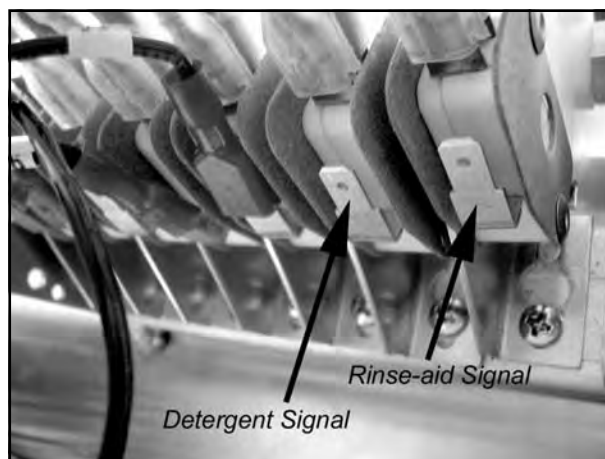
Installation Guide



Chemical Dispensers MD-1000HT

Continued from page 11

5. The main terminal board is the termination point for the incoming power and earth ground which is also called the chassis ground.
6. Chemical dispensers (not supplied by Factory) should be grounded to chassis if possible.
7. The detergent signal and the rinse-aid signal terminals for your chemical dispensing pumps are provided on the common terminal of each Timer Cam microswitch (See diagrams above).
Cam No.6 operates the detergent microswitch
Cam No.7 operates the rinse-aid microswitch.
8. Look to the right for the photo of a timer cam microswitch. Note the configuration of the switch, do you see how the common terminal is different than the Normally Closed (N.C.) and the Normally Open (N.O.) terminals?
9. Look again at the Cycle Timer and locate the Detergent Cam No.6 and the Rinse-aid cam No.7.
10. There are 7 Cams on the cycle timer. They are numbered 1-7 starting at the timer motor side of the assembly.
11. Look at the underside of the detergent and the Rinse-aid timer microswitches and identify the common terminals.
12. Connect the hot lead for the detergent pump to the common terminal of Cam Switch No. 6. Make the connection using a 12-14 slip-on terminal.
Do the same for the rinse-aid switch.



Installation Guide



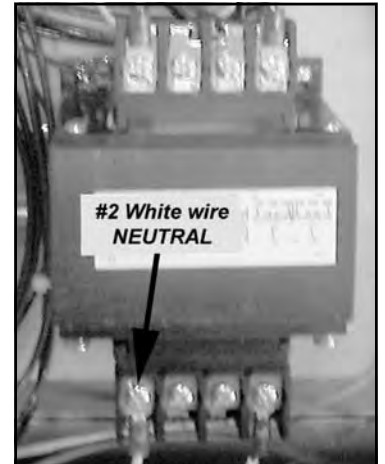
Chemical Dispensers MD-1000HT

Caution:

The **NEUTRAL RETURN (#2 white wires)** and **Chassis Ground** are not the same point electrically. Improper wiring to these points may result in unusual voltage readings and damage to the dishwasher's electrical circuits. **STOP WORKING ON THE DISHWASHER AT ONCE**, if you do not know the difference between a neutral return and chassis ground.

Note:

You may void the dishwasher warranty if you connect the neutral wire of your dispensing system anywhere else than at the main power transformer.



13. Now you must connect your pumps to the dishwasher neutral return. All white wires marked with No. 2 are neutral wires; however, you are not authorized to connect to any #2 wire that you may identify.
14. Run a 12 gauge white wire with spade terminal connector (*not supplied*) from your chemical dispensing pumps to the neutral #2 white wire located on the main power transformer in the control cabinet.

ATTENTION INSTALLER

DO NOT TURN ON the dishwasher power switch
located on the front of the top-mounted control cabinet
before the Initial Start-up is completed

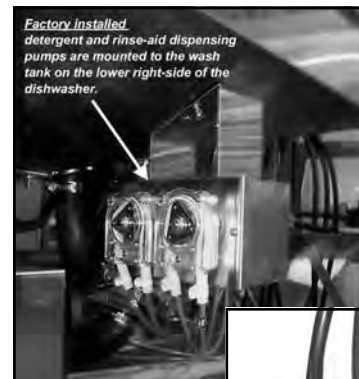
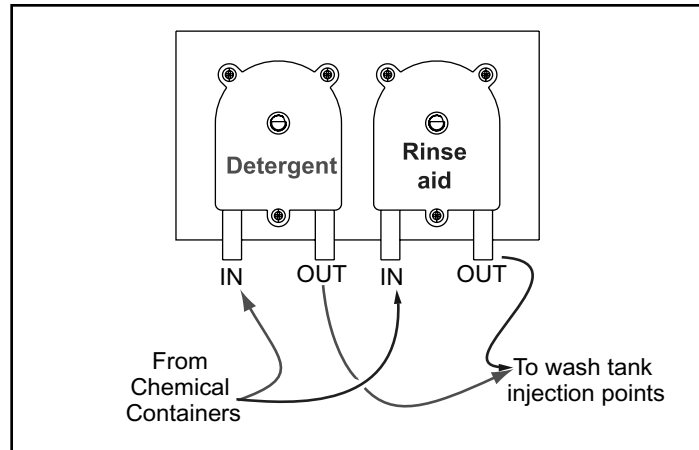
Powering the dishwasher as described above, without knowing for certain that the Initial Start-up was performed, may make you liable for any damages stemming from your actions.

Installation Guide

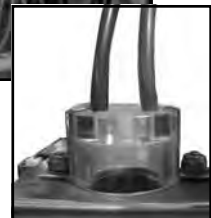
✓ Chemical Dispensers MD-1000HT

Priming the chemical dispensers (Factory dispensers only)

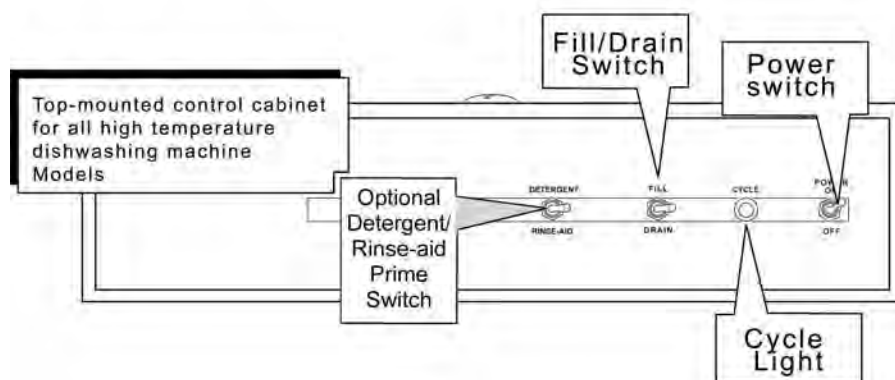
1. Factory dispensers are optional equipment; however, an automatic dispenser must be installed by someone in lieu of the factory.
2. The dispensers are mounted on the right-hand side of the lower wash tank.
3. Chemical pick-up tubes are inserted into their respective containers.
4. Detergent and Rinse-aid chemical containers can be placed a maximum of 11" [280 mm] above the finished floor, (ABF).
5. Place the chemical containers as close to the dishwasher as possible.
6. **Each day** check the detergent and rinse-aid chemical containers to make sure they are at least 1/2 full.
7. Push and hold the 2-position prime switch located on the front of the top-mounted control cabinet. Push UP to prime the detergent and DOWN to prime the rinse-aid.
8. Watch the chemical as it travels through the sight-glass located on the right-hand side, top-rear corner of the machine.
9. Release the switch when the chemical enters the sight-glass.
10. Chemicals should reach the sight-glass within 2 minutes of prime.



Factory installed detergent and rinse-aid dispensing pumps are mounted to the wash tank on the lower right-side of the dishwasher.



Factory installed sight-glass



Installation Guide



Initial Start-up MD-1000HT

Caution:

DO NOT flip the dishwasher power switch "ON" until you read the instructions below.

1. The built-in stainless steel electric booster was shipped without water.
2. A manilla card located above the power switch explains how to turn the machine on for the first time.

See step No. 10 on the next page for the first DISHWASHER POWER UP procedure.

Let's begin the Initial Start-up:

1. Check the placement of the dishwasher:
 - Compare the machine location with the building plan or consult the owner or the General Contractor for approval.
 - Check that the dishwasher configuration straight-through or corner operation is correct (*See page 2 for details*).
2. Check that all options and/or accessories are installed.
3. Remove protective white wrapping, tape, and other packing materials and discard.
4. Remove any foreign materials from the interior of the machine.



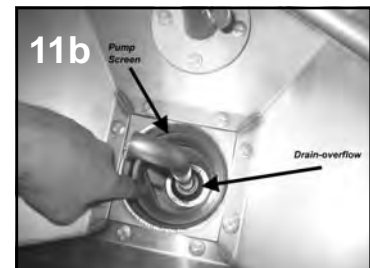
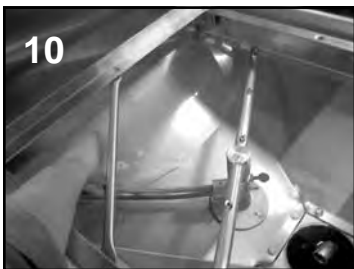
Continued on page 16

Installation Guide _____

Initial Start-up MD-1000HT

Continued from page 15.

5. Check that the following utilities are connected:
to the dishwasher and ready for use:
 - Electrical service
 - Hot water supply
 - Drain
 - Ventilation *(if required by local regulations).*
6. Check the chemical connections and chemical containers to ensure that enough chemical supplies are available.
7. Turn on the water supply to the dishwasher.
8. Turn on the main power switch at the service disconnect switch.
9. Open the dishwasher doors fully.
10. Check upper and lower spray arms are in place and spin freely.
11. Check that the drain-overflow and pump screen are in place.



12. Check that the lower scrap screen is clean and in place.



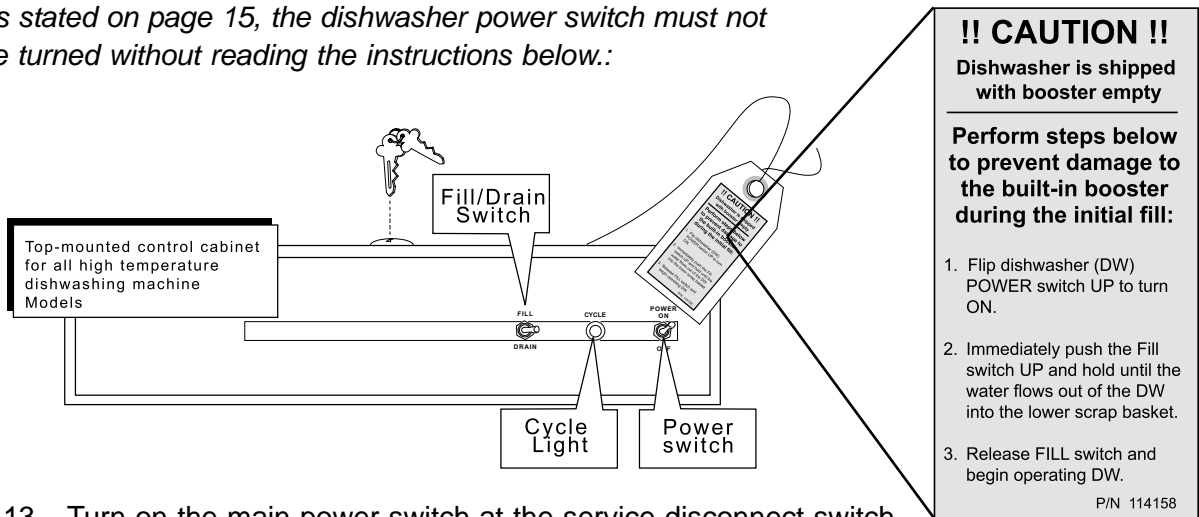
Installation Guide



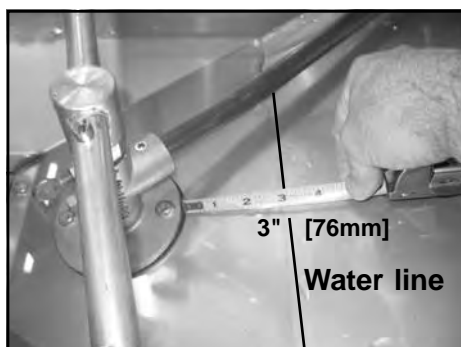
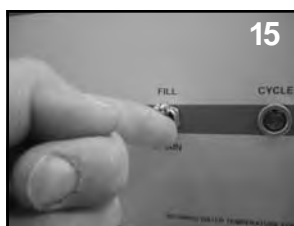
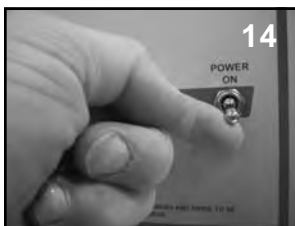
Initial Start-up MD-1000HT

POWER UP THE DISHWASHER:

As stated on page 15, the dishwasher power switch must not be turned without reading the instructions below:



13. Turn on the main power switch at the service disconnect switch.
14. Flip the dishwasher power switch UP to turn on the dishwasher.
15. Immediately, push the fill switch up and hold it in the up position until the water flows out of the wash tank and into the lower scrap screen.
16. Release the fill switch.
17. Open the dishwasher door fully and check the water level inside the tank. The proper water level is just below the overflow tube and 3" [76 mm] from the lower sprayarm support. Measure from the back of the support up the tank toward the rear wall of the dishwasher.



Installation Guide _____

☑ Initial Start-up MD-1000HT

18. Operate the dishwasher for 10 cycles. **Monitor the wash and final rinse gauges** located on the lower front panel of the dishwasher to ensure the machine is maintaining the proper temperatures.

In the USA, the NSF standards are:

150° F/66° C minimum wash temperature
180° F/82° C minimum final rinse temperature

Note:

In Canada, sanitary standards are regulated by each province. Consult your provincial authorities for temperature requirements and other sanitary standards.

19. Check the green cycle light. It should illuminate throughout the 90-second cycle, then go out at the end of the cycle. When the doors are raised, the cycle light should again illuminate for 3-seconds and then go out. The 3-second light indicates the timer is resetting. **DO NOT CLOSE** the doors until the cycle light goes out.
20. Check the dishwasher piping for leaks.
21. Check the drain connection and make sure the house drain piping handles the dishwasher drain flow. Max flow is 15 USgpm/58 lpm or 1.7 US gals/6.6 Liters per rack.
22. Check the operation of the doors. They should go up and down smoothly. Check the white door guides to ensure they move with the doors.
23. Inspect the table connections to the dishwasher making sure they are secure and sealed with 100% silicon sealant on the mating flanges. The soiled table must slope away from the dishwasher and the clean toward the dishwasher.
24. Remove the upper and lower sprayarms and check the condition of the sprayarm bearing O-rings.
25. The initial start-up is complete. Turn off power to the dishwasher.



Installation Guide



How to Operate your Dishwasher MD-1000HT

1. Make sure there is adequate supply of liquid detergent and rinse-aid. Check the chemical containers and refill if necessary.
2. Ensure internal circular tank screen, upper and lower spray arms and lower external scrap screen are clean and in place.
3. Close door. Turn POWER switch to the " ON " position. Lift "FILL/DRAIN" switch to the "FILL" position and hold for approximately 15-20 seconds, or until water flows from the wash tank into the lower scrap pan.
4. Check the wash temperature gauge. Minimum reading must be 150°F/66°C. Operate the dishwasher through 2 complete cycles to increase the wash temperature to 150°F/66°C. Check the temperature gauge reading on the front of the dishwasher to ensure minimum temperatures are maintained.
5. Open doors completely and slide pre-scraped rack of dishes into dishwasher. Check that control panel green light is out.
6. Close doors to automatically start the cycle. Total cycle time is 90-seconds.
7. The RINSE SENTRY feature monitors the final rinse water temperature being generated in the built-in booster. The rinse sentry will extend the wash cycle in the event that the final rinse temperature is less than 180°F/82°C. Rinse Sentry deactivates when the final rinse water in the built-in booster is a minimum of 180°F/82°C. Then the dishwasher timed cycle will complete the wash cycle, drain and refill with the final rinse water and complete the cycle.
(See page 20 for an in-depth explanation of the Rinse Sentry feature.)
8. The final rinse cycle begins after the dishwasher washes and then drains. The rinse-aid is automatically added to the wash tank.
9. Cycle ends when green cycle light goes out. Opening the doors anytime during the timed cycle will stop the dishwasher. The dishwasher will resume operation as soon as the doors are closed. The timed cycle will begin at the place where it had stopped.
9. Open door. Remove the clean rack of dishes and insert another rack of soiled dishes.
10. Repeat steps 5-12 until all wares are clean.

Note:

Wash temperature must be a minimum of 150°F/66°C for optimum wash performance. Pumped final rinse temperature must be a minimum 180-195°F/82-91°C for sanitizing.

Installation Guide _____



What is the Rinse Sentry Feature? MD-1000HT

The MD-1000HT Rinse Sentry automatically monitors the final rinse water temperature in the built-in stainless steel electric booster heater. If the final rinse water in the booster falls below **180°F/82°C**, the Rinse Sentry will extend the dishwasher's wash cycle time in order to give the booster heater additional time to provide the **180°F/82°C** water temperature required.

Sanitization using hot final rinse water:

1. The MD-1000HT sanitizes dishware with a pumped **hot final rinse water at a minimum temperature of 180°F/82°C**.
2. The MD-1000HT includes a built-in stainless steel electric booster heater which heats incoming water temperatures to **180-195°F/82-91°C**.
3. With Rinse Sentry, if the final rinse temperature inside the booster tank is below the minimum **180°F/82°C**, the timed cycle pauses the wash cycle until the minimum temperature is available.
4. If something is defective and the final rinse water cannot reach the **180°F/82°C**, then the dishwasher will wash indefinitely.
5. This is usually the point where the operator realizes that the dishwasher has a problem because the wash cycles are way too long.

Who is responsible for checking the final rinse water temperature?

1. **The people operating the dishwasher, that's whom?**
2. You are required to check to make sure that the final rinse water temperature gauge always reads a temperature of **180-195°F/82-91°C** during the final rinse cycle. And, It is your job to immediately stop washing dishes if the temperature falls below the minimum temperature of **180°F/82°C**.
3. Guess what? Most people will forget to check the final rinse temperature at least once in their careers! **That's why the Rinse Sentry is a part of your dishwasher.**

Rinse Sentry constantly checks the final rinse water temperature to ensure the minimum required temperature of 180°F/82°C is available to sanitize the dishware for the health and safety of your guests.

Installation Guide



How to Clean the MD-1000HT

1. Leave the machine power switch in the ON position. Doors are fully closed.
2. Push and hold the "FILL/DRAIN" switch down in the "DRAIN" position for approximately 15-20 seconds. The water in the wash tank will drain completely.
3. Raise doors fully. Use caution, as metal surfaces may be hot. Allow interior to cool.
4. Rinse the interior of the dishwasher with fresh water. Wipe the interior with a soft cloth.

Do not scrub the interior with scouring pads, nor harsh detergents.

5. Close the doors fully; the dishwasher will begin a normal cycle. At the end of the cycle, Push & hold the Fill/drain switch in the DRAIN position until the wash tank is empty
6. Flip the dishwasher power switch to the OFF position
7. Remove and clean circular wash tank screen.
8. Check the overflow /drain assembly. Ensure the drain seat is clean.
9. Loosen the upper and lower thumbscrews (Do not remove the screws)
Remove upper and lower sprayarms. Flush the sprayarm nozzles and check the bearing o-rings.
10. Replace sprayarms (they are interchangeable) and tighten thumbscrews.
11. Replace circular tank screen.
12. Remove lower scrap screen. Empty debris and flush both sides with fresh water.
13. Check the drain pan and flush with clean water.
14. Wipe the exterior of the dishwasher with a soft cloth.

Do not hose the exterior with water nor scrub with scouring pads or harsh detergents.

15. Replace lower scrap screen, circular screen, and leave doors open for overnight drying.
16. Check the chemical supplies to ensure there are adequate supplies for the next shift.

Installation Guide _____



How to Maintain the MD-1000HT

Thoroughly cleaning your dishwasher every day is very best maintenance you can do!!

Daily Maintenance

1. Keep your dishwasher and the surrounding area spotlessly clean.
2. Immediately report loose, broken or missing parts to your supervisor.
3. Check drains for flow restrictions.
4. Check the dishwasher for leaks.
5. Operate the dishwasher as explained in this manual.

Monthly Maintenance

1. Inspect pump hoses, door linkage, springs, and exterior of dishwasher for wear.
2. Inspect the wash arm bearings and O-rings.
3. Check the condition of scrap screens, and dishracks for bent or broken pieces.
4. Check the toggle switches and indicator lights for damage.
5. Check the wash pump motor for loud bearings and leaking pump seal.
6. Create a simple Maintenance Tracking System as a guide for service.

Annual Maintenance

Call your authorized service agent or local service representative and schedule a complete inspection of your dishwasher by a trained professional.

A Maintenance Tip -

Schedule your annual maintenance when you can give the service agent unrestricted access to the dishwasher for at least 2 to 2-1/2 hours.



The Troubleshooter

In order to find the cause of a breakdown or abnormal operating condition in your dishwasher please ensure that:

1. All switches are ON
2. Drain overflow tube is in place and seated
3. Wash pipe and rinse nozzles are clean
4. Spray arms are in their proper positions
5. Round screen is properly positioned
6. Detergent, sanitizer and rinse additive dispensers are adequately filled
8. Doors are fully closed.

That wasn't it? Check for a solution below:

PROBLEM	CAUSE	SOLUTION
Cycle will not start	Door not closed	Make sure doors are fully closed
	Door safety switch faulty	Contact your service agency
	Main switch off	Check disconnect
Low or no water	Main water supply is turned off ...	Turn on house water supply
	Drain/overflow tube is not in place and seated	Clean, replace and seat drain tube as needed.
	Faulty fill valve	Contact your chemical supplier.
Continuous water filling	Fill valve will not close	Clean or replace
Motor not running	Defective contactor	Contact your servicer
	Defective motor	Contact your servicer
Wash tank water temperature is low when in use	Incoming water temperature at machine too low
	Raise temperature to 140°F/60°C
	Defective thermometer	Check or replace
	Defective solenoid valve	Check or replace
Arms not rotating	Rinse nozzles not clean	Clean
	Bearings worn	Replace
	Water supply pressure low	Check incoming water pressure
Insufficient pumped spray pressure	Clogged intake screen	Clean
	Clogged spray pipe	Clean
	Low water level in tank	Check drain and overflow tube, timer may need adjustment, contact servicer
	Defective pump seal	Contact service agent
Insufficient rinse or no rinse	Faulty pressure regulating valve .	Clean or replace
	Improper setting on pressure regulating valve	Set static pressure to 35 psi
	Clogged rinse nozzle and/or pipe	Clean with paper clip/delime
	Improper water line size	Have installer change to proper size 3/4" NPT

The Troubleshooter (continued)

PROBLEM	CAUSE	SOLUTION
Low final rinse temperature	Low incoming water	Check valve to be sure it is clean and operating.
	Defective thermometer	Check for proper setting or replace
Machine leaking	Leaking at chemical hose	Replace hoses
	Pump seal leaking	Replace seal
	Leaking at pump hose	Contact your chemical supplier
	Leaking at doors	Check to make sure that doors are fully closed
Water splashing out door	Nozzles/End caps missing	Replace caps
	Wash nozzles blocked	Clean
	Arms not rotating	Replace bearings
	Door handle twisted	Adjust or replace handle
Poor washing results	Detergent dispenser not operating properly	Contact detergent supplier
	Insufficient detergents	Contact detergent supplier
	Food Soil concentration too high in wash tank	Prescrap dishes thoroughly
	Wash water temperature too low	See condition "Wash Tank Water Temperature" above
	Wash arm clogged	Clean
	Improperly scraped dishes	Check scraping procedures
	Ware improperly placed in rack	Use proper racks. Do not overload racks
	Improperly cleaned equipment	Unclog wash sprays and rinse nozzles to maintain proper pressure and flow conditions. Overflows must be open. Keep wash water as clean as possible.

***Model MD-1000LT
Installation
Guide***

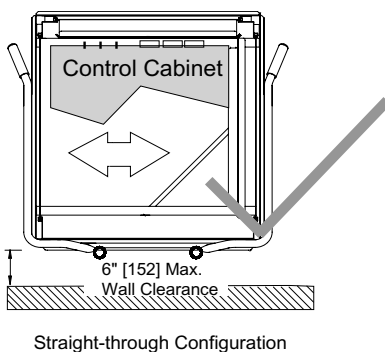
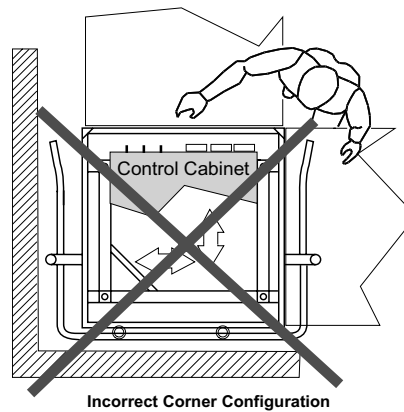
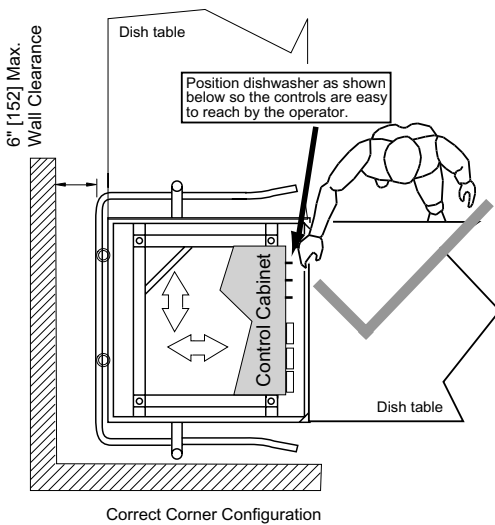
Installation Guide _____



Unpack and Place MD-1000LT

1. The installation of your dishwasher must be performed by qualified service personnel.
2. Problems due to improper installation are not covered by the Warranty.
3. Compare the utilities at the installation site with the specifications listed on each model's specification sheets (See Appendix A at the end of this manual)
4. The dishwasher data plate is located on the left, rear-corner of the top-mounted control cabinet.
5. Study the configuration diagrams below. They show the 2 ways that the dishwasher may be positioned.

Corner and straight-through dishwasher configurations



Note:

The correct corner installation places the dishwasher so the top-mounted controls are easy to reach.

The minimum distance from wall to dishwasher is 4" [103mm]. The maximum distance is 6" [129].

The room ceiling height must be a minimum of 80" [2032mm] so the doors can be removed completely.

Installation Guide



Unpack and Place MD-1000LT

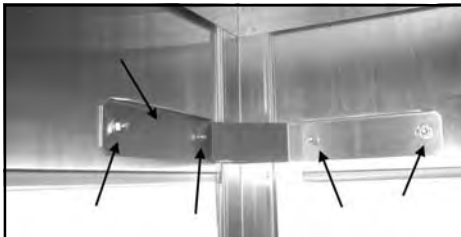
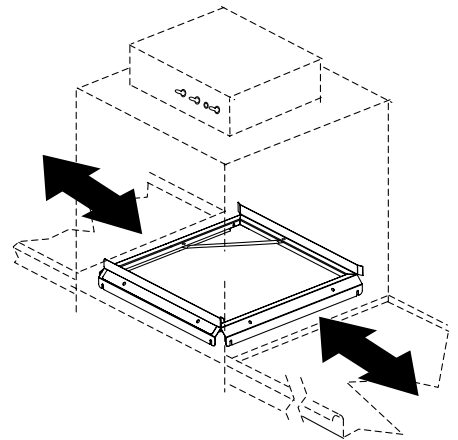
1. All dishwashers ship in the straight-through configuration.
2. Relocate the tracks and remove the wall-side door link components to convert the dishwasher for corner operation.



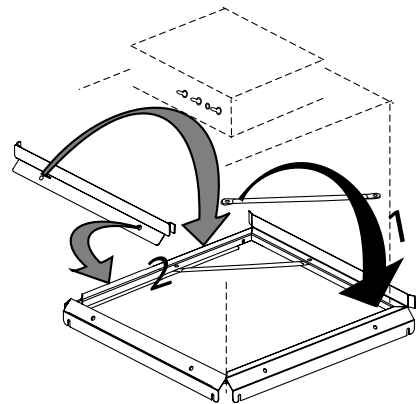
Move Part 1



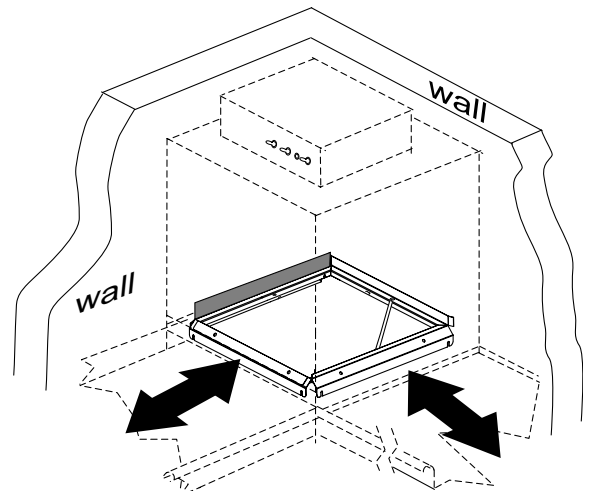
Move Part 2



Remove Interior Door Bracket



Remove Door Linkage



Adjust Door Spring Tension

Installation Guide _____



Unpack and Place MD-1000LT

1. Compare the dishwasher and site utility connections.
2. Level the dishwasher by adjusting the bullet feet.
3. Raise the doors and check the door clearance to the ceiling.
4. Move the dishwasher to its permanent location.

Note:

Installers must follow applicable sanitation, safety, plumbing, and electrical codes and regulations; and work in accordance with best practices for dishwasher installation.

Utility Connections - MD-1000LT

Power:	115VAC 15Amp circuit
Water supply:	3/4" NPT hot water supply (140°F/60°C minimum) (35 psi/241 KPa static pressure) 7-10 psi/63-69Kpa flow pressure
Drain:	1-7/8" stainless steel, slip-fit hose connection Max flow: 15 Us gal/min. (13.5 Imperial gal/min) 57liters/min.
Chemicals:	Detergent, rinse-aid, and sanitizer pumps are standard equipment. Chemicals supplied by a chemical supplier

Chemical Dispensing Pumps - Factory Installed for MD-1000LT

- All pumps use liquid chemicals
- Detergent pump capacity = 350cc/min @ 108 RPM
Factory setting for detergent = 105cc in 18secs.
- Rinse-aid pump capacity = 35cc/min @ 14RPM
Factory setting for rinse-aid 14cc in 23 sec.
- Sanitizer pump capacity = 35cc/min @ 14RPM
Factory setting for Sanitizer= 14cc in 23 sec.
maintains 50PPM concentration of 5.25% sodium hypochlorite during the final rinse cycle.

Installation Guide



Electrical Connection MD-1000LT

Warning:

The dishwasher must be electrically grounded according to all local codes and regulations governing the installation of electrical service.

Warning:

Disconnect the main electric supply and place a tag at the fuse or disconnect switch indicating that work is being performed on that circuit.

1. Locate the control cabinet keys on the rear of the control cabinet.
2. Remove 1 key to unlock the cabinet; do not remove the other key.
3. Unlock the control cabinet and remove the cover.
4. Locate the power cord on the left rear side of the control cabinet.
5. Locate the Machine Electrical Connection Data Plate mounted near the terminal block.

The MACHINE ELECTRICAL CONNECTION DATA PLATE is the certified authority for the dishwasher power requirements. DO NOT use electrical data from any other source unless an authorized factory representative instructs you to use other data.

6. Check the power cord terminal connections at the main terminal board.



Machine Electrical
Connection Data Plate

Main terminal block



Installation Guide _____



Water Connection MD-1000LT

Water supply: 3/4" NPT hot water supply (140°F/60°C minimum)
(35 psi/241 KPa static pressure) 7-10 psi/48-69Kpa flow pressure

Note:

Plumbing installer must connect a 3/4" NPT hot water supply line to the dishwasher. A 3/4" pressure regulating valve (PRV) (not supplied) must be installed in the water supply line and adjusted to (35 psi/241 KPa static pressure) 7-10 psi/48-69Kpa flow pressure

Note:

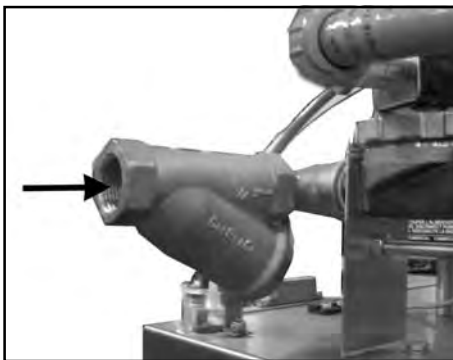
Under NO circumstances, may the installing plumber connect a water supply line to the dishwasher that is less than 3/4" NPT in size.

Note:

The following components **are not required** for proper dishwasher operation, but are **highly recommended**, because they make servicing of the dishwasher much faster.

Install the following components (not supplied) in the hot water supply line:

- 1) 3/4" or larger water shut-off valve near the machine in the water supply line.
- 2) ASSE 1010 Water hammer arrestor upstream from the shut-off valve.
- 3) Pressure gauge 0-60 PSI minimum downstream from the PRV.
- 4) Temperature gauge 0-180°F/82°C (not supplied) downstream from the gauge.



(3/4" NPT line strainer not supplied)



Installation Guide

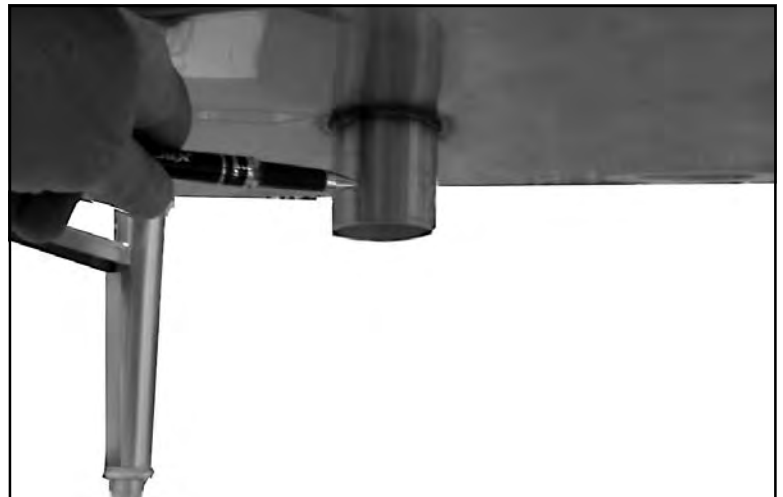


Drain Connection MD-1000LT

1. Locate the dishwasher drain connection underneath the machine frame.
2. Install a drain line conforming to local plumbing and health regulations.

Drain: 1-7/8" stainless steel, slip-fit hose connection

Max flow: 15 Us gal/min. (13.5 Imperial gal/min) 57liters/min.



Ventilation MD-1000LT

1. The factory has no requirements for vent hoods; but, local codes and regulations in your area supersede our suggestions. Consult your local building and health authorities for local requirements.
2. Dishroom ventilation must provide sufficient airflow to prevent excessive humidity in the work area. 200-400cfm/5.6- 11.3 k Liters/min - is sufficient.
3. The dishwasher must not be subjected to continual drafts or cold air.

Installation Guide _____



Chemical Dispensers MD-1000LT

Note:

Manual dosing of detergent or rinse-aid is **NOT RECOMMENDED** for the MD-1000LT dishwasher. Poor washing results may result if manual dosing is employed..

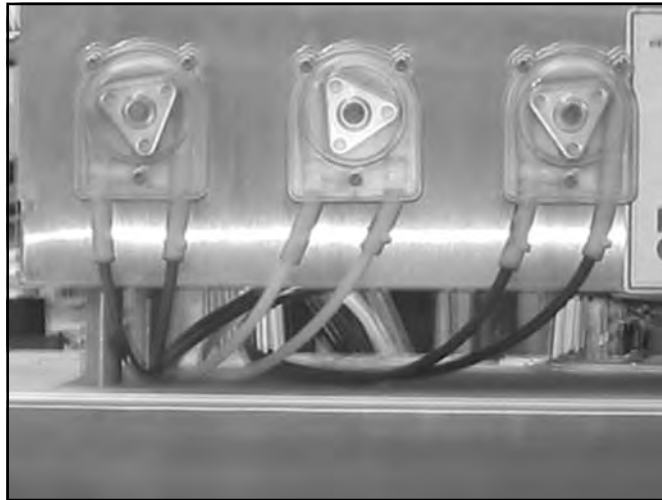
Note:

Cartridge detergent systems are **NOT RECOMMENDED** for the MD-1000LT dishwasher. Poor washing results may result if installed on this model.

Note:

The MD-1000LT chemical dispensers are standard equipment. There are 3 built-in dispensers located on the front of the MD-1000LT top-mounted control cabinet.

Consult a local commercial dishwasher chemical supplier for the set-up and operation of the dispensing system.

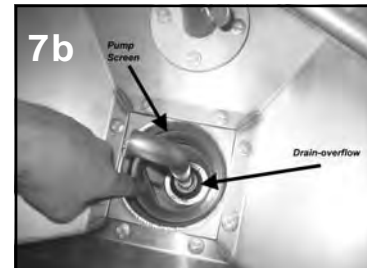


Installation Guide



Initial Start-up MD-1000LT

1. Check that the following utilities are connected: to the dishwasher and ready for use:
 - Electrical service
 - Hot water supply
 - Drain
 - Ventilation *(if required by local regulations)*
2. Check the chemical connections and chemical containers to ensure that enough chemical supplies are available.
3. Turn on the water supply to the dishwasher.
4. Turn on the main power switch at the service disconnect switch.
5. Open the dishwasher doors fully.
6. Check upper and lower spray arms are in place and spin freely.
7. Check that the drain-overflow and pump screen are in place.



8. Check that the lower scrap screen is clean and in place.



***This Page
Intentionally
Left Blank***

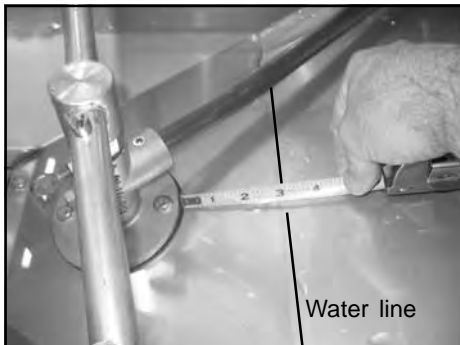
Installation Guide



Initial Start-up MD-1000LT

POWER UP THE DISHWASHER:

1. Flip the dishwasher power switch UP to turn on.
2. Turn on the main power switch at the service disconnect switch.
3. Release the fill switch.
4. Open the dishwasher door fully and check the water level inside the tank. The proper water level is just below the overflow tube and 3" [76 mm] from the lower manifold measuring up the tank toward the rear of the dishwasher.

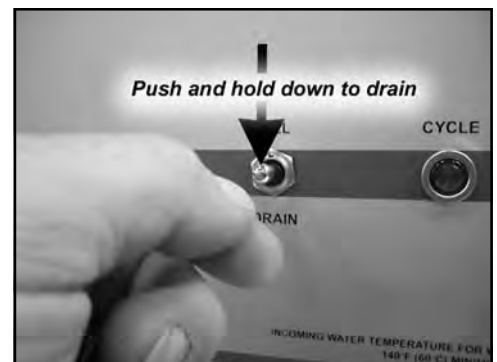


5. Operate the dishwasher for 10 cycles checking the temperature gauges to ensure the machine is maintaining the proper temperatures.

120°F/49°C minimum wash temperature
140°F/60°C recommended optimum

120°F/49°C minimum final rinse temperature
140°F/60°C recommended optimum

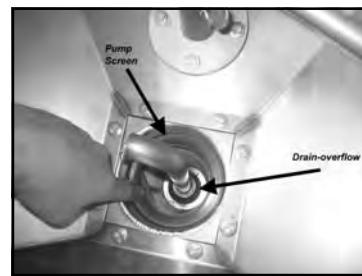
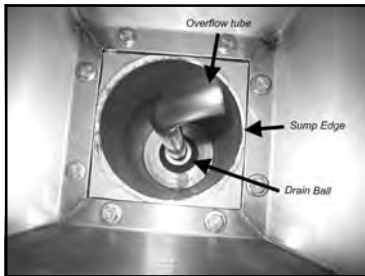
6. To drain the dishwasher, leave the machine power switch in the ON position. Doors are fully closed.
7. Push and hold the "FILL/DRAIN" switch down in the "DRAIN" position for approximately 15-20 seconds.
8. The water in the wash tank will drain completely.
9. Open the doors and check that all water has drained for the machine.
10. The initial start-up is complete.



Installation Guide

✓ How to Operate the MD-1000LT

1. Make sure there is adequate supply of liquid detergent and rinse-aid, and sanitizer. Check the chemical containers and refill if necessary.
2. Ensure the overflow tube/drain ball are clean and in place, and the circular pump screen, upper and lower spray arms and lower external scrap screen are clean and in place.
3. Close door. Turn POWER switch to the "ON" position. Lift "FILL/DRAIN" switch to the "FILL" position and hold for approximately 15-20 seconds, or until water flows from the wash tank into the lower scrap pan.



4. Check the wash temperature gauge. Minimum reading must be 120°F/49°C. Recommended optimum temperature is 140°F/60°C.
5. Operate the dishwasher through 2 complete cycles to increase the wash temperature to 140°F/60°C optimum. Check the temperature gauge reading on the front of the dishwasher



6. Open doors completely and slide pre-scraped rack of dishes into dishwasher.
7. Check that control panel green light is out.
8. Close doors to automatically start the cycle. Total cycle time is 90-seconds.
9. The final rinse cycle begins after the dishwasher washes and then drains. The rinse-aid and sanitizer are automatically added to the wash tank.
10. Use a sodium hypochlorite (Chlorine) based sanitizer at a minimum concentration of 50PPM in the final rinse. Routinely check the 50PPM chlorine level with test strips (supplied by chemical supplier).

Note:

Wash temperature should be a minimum of 140°F/60°C for optimum wash performance. Final rinse temperature should be a minimum 120-140°F/49-60°C for optimum sanitizing.

11. Cycle ends when green cycle light goes out.
12. Open door. Remove the clean rack of dishes and insert another rack of soiled dishes.
13. Repeat steps 5-12 until all wares are clean.

Installation Guide



How to Clean the MD-1000LT

1. Leave the machine power switch in the ON position. Doors are fully closed.
2. Push and hold the "FILL/DRAIN" switch down in the "DRAIN" position for approximately 15-20 seconds. The water in the wash tank will drain completely.
3. Raise doors fully. Use caution, as metal surfaces may be hot. Allow interior to cool.
4. Rinse the interior of the dishwasher with fresh water. Wipe the interior with a soft cloth.

Do not scrub the interior with scouring pads, nor harsh detergents.

5. Close the doors fully; the dishwasher will begin a normal cycle. At the end of the cycle, Push & hold the Fill/drain switch in the DRAIN position until the wash tank is empty
6. Flip the dishwasher power switch to the OFF position
7. Remove and clean circular wash tank screen.
8. Check the overflow /drain assembly. Ensure the drain seat is clean.
9. Loosen the upper and lower thumbscrews (Do not remove the screws)
Remove upper and lower sprayarms. Flush the sprayarm nozzles and check the bearing o-rings.
10. Replace sprayarms (they are interchangeable) and tighten thumbscrews.
11. Replace circular tank screen.
12. Remove lower scrap screen. Empty debris and flush both sides with fresh water.
13. Check the drain pan and flush with clean water.
14. Wipe the exterior of the dishwasher with a soft cloth.

Do not hose the exterior with water nor scrub with scouring pads or harsh detergents.

15. Replace lower scrap screen, circular screen, and leave doors open for overnight drying.
16. Check the chemical supplies to ensure there are adequate supplies for the next shift.

Installation Guide _____

- How to Clean the MD-1000LT*

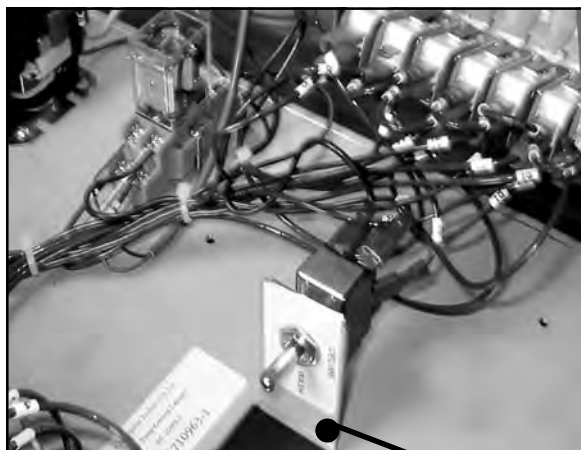
Deliming

Warning:

Electrocution or chemical burns may occur if untrained persons attempt the deliming procedure.

Only qualified service personnel should delime the dishwasher.

1. The DL-1000 is equipped with a delime switch on the left front side inside the top-mounted control cabinet.
2. After all necessary preparations have been performed in accordance with the chemical supplier's instructions, the chemical supplier or qualified service agent may operate the delime switch to lock the dishwasher in a continuous wash mode.



3. Flip the delime switch down to the wash position when the deliming is complete.



Installation Guide



How to Maintain your Dishwasher MD-1000LT

Thoroughly cleaning your dishwasher every day is very best maintenance you can do!!

Daily Maintenance

1. Keep your dishwasher and the surrounding area spotlessly clean.
2. Immediately report loose, broken or missing parts to your supervisor.
3. Check drains for flow restrictions.
4. Check the dishwasher for leaks.
5. Operate the dishwasher as explained in this manual.

Monthly Maintenance

1. Inspect pump hoses, door linkage, springs, and exterior of dishwasher for wear.
2. Inspect the wash arm bearings and O-rings.
3. Check the condition of scrap screens, and dishracks for bent or broken pieces.
4. Check the toggle switches and indicator lights for damage.
5. Check the wash pump motor for loud bearings and leaking pump seal.
6. Create a simple Maintenance Tracking System as a guide for service

Annual Maintenance

Call your authorized service agent or local service representative and schedule a complete inspection of your dishwasher by a trained professional.

A Maintenance Tip -

Schedule your annual maintenance when you can give the service agent unrestricted access to the dishwasher for at least 2 to 2-1/2 hours.



The Troubleshooter

In order to find the cause of a breakdown or abnormal operating condition in your dishwasher please ensure that:

1. All power switches are ON
2. Drain overflow tube is in place and seated
3. Wash pipe and rinse nozzles are clean
4. Spray arms are in their proper positions
5. Round screen is properly positioned
6. Detergent, sanitizer and rinse aid dispensers are adequately filled
8. Doors are fully closed.

That wasn't it? Check for a solution below:

PROBLEM	CAUSE	SOLUTION
Cycle will not start	Door not closed Door safety switch faulty Main switch off	Make sure doors are fully closed Contact your service agency Check disconnect
Low or no water	Main water supply is turned off ... Drain/overflow tube is not in place and seated Faulty fill valve	Turn on house water supply Clean, replace and seat drain tube as needed. Contact your chemical supplier.
Continuous water filling	Fill valve will not close	Clean or replace
Motor not running	Defective contactor Defective motor	Contact your servicer Contact your servicer
Wash tank water temperature is low when in use Defective thermometer Defective solenoid valve	Incoming water temperature at machine too low Raise temperature to 140°F/60°C Check or replace Check or replace
Arms not rotating	Rinse nozzles not clean Bearings worn Water supply pressure low	Clean Replace Check incoming water pressure
Insufficient pumped spray pressure	Clogged intake screen Clogged spray pipe Low water level in tank Defective pump seal	Clean Clean Check drain and overflow tube, timer may need adjustment, contact servicer Contact service agent
Insufficient rinse or no rinse	Faulty pressure regulating valve . Improper setting on pressure regulating valve Clogged rinse nozzle and/or pipe Improper water line size	Clean or replace Set static pressure to 35 psi Clean with paper clip/delime Have installer change to proper size 3/4" NPT

The Troubleshooter (continued)

PROBLEM	CAUSE	SOLUTION
Low final rinse temperature	Low incoming water	Check valve to be sure it is clean and operating.
	Defective thermometer	Check for proper setting or replace
Machine leaking	Leaking at chemical hose	Replace hoses
	Pump seal leaking	Replace seal
	Leaking at pump hose	Contact your chemical supplier
	Leaking at doors	Check to make sure that doors are fully closed
Water splashing out door	Nozzles/End caps missing	Replace caps
	Wash nozzles blocked	Clean
	Arms not rotating	Replace bearings
	Door handle twisted (pass through)	Adjust or replace handle
Poor washing results	Detergent dispenser not operating properly	Contact detergent supplier
	Insufficient detergents	Contact detergent supplier
	Food Soil concentration too high in wash tank	Prescrap dishes thoroughly
	Wash water temperature too low	See condition "Wash Tank Water Temperature" above
	Wash arm clogged	Clean
	Improperly scraped dishes	Check scraping procedures
	Ware improperly placed in rack	Use proper racks. Do not overload racks
	Improperly cleaned equipment	Unclog wash sprays and rinse nozzles to maintain proper pressure and flow conditions. Overflows must be open. Keep wash water as clean as possible.

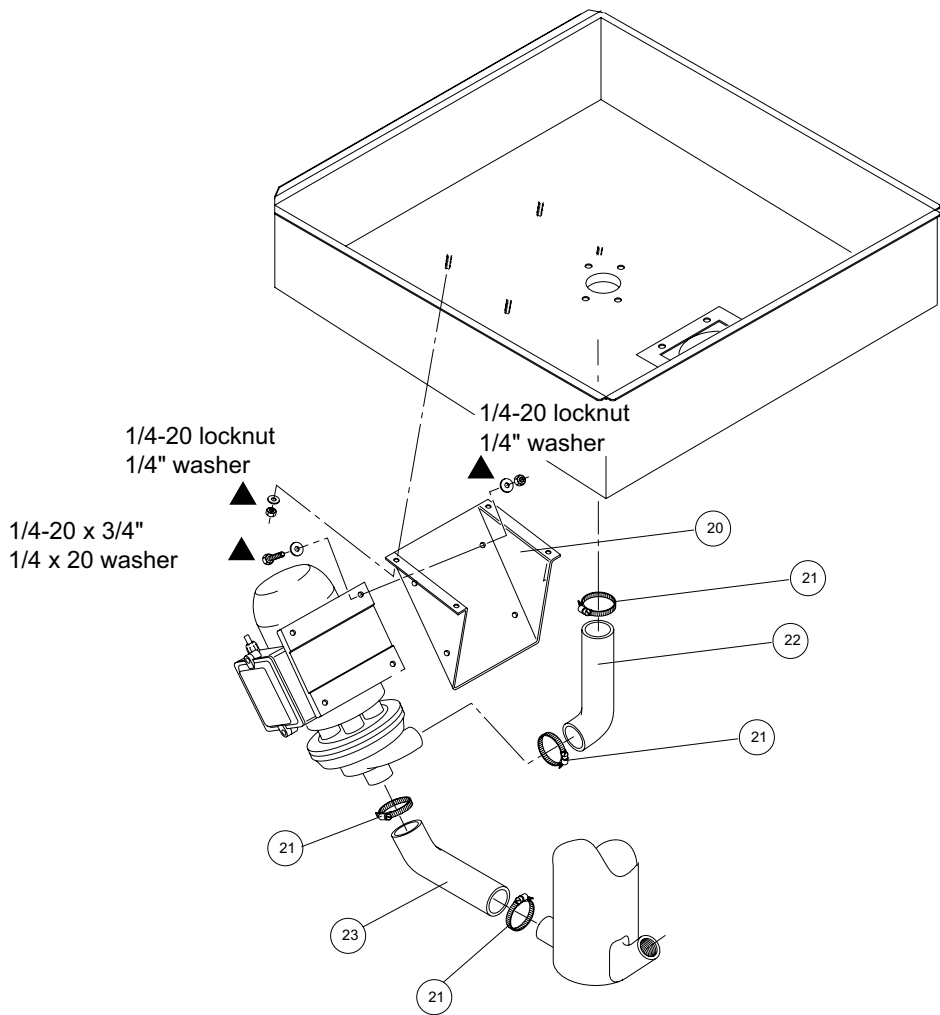
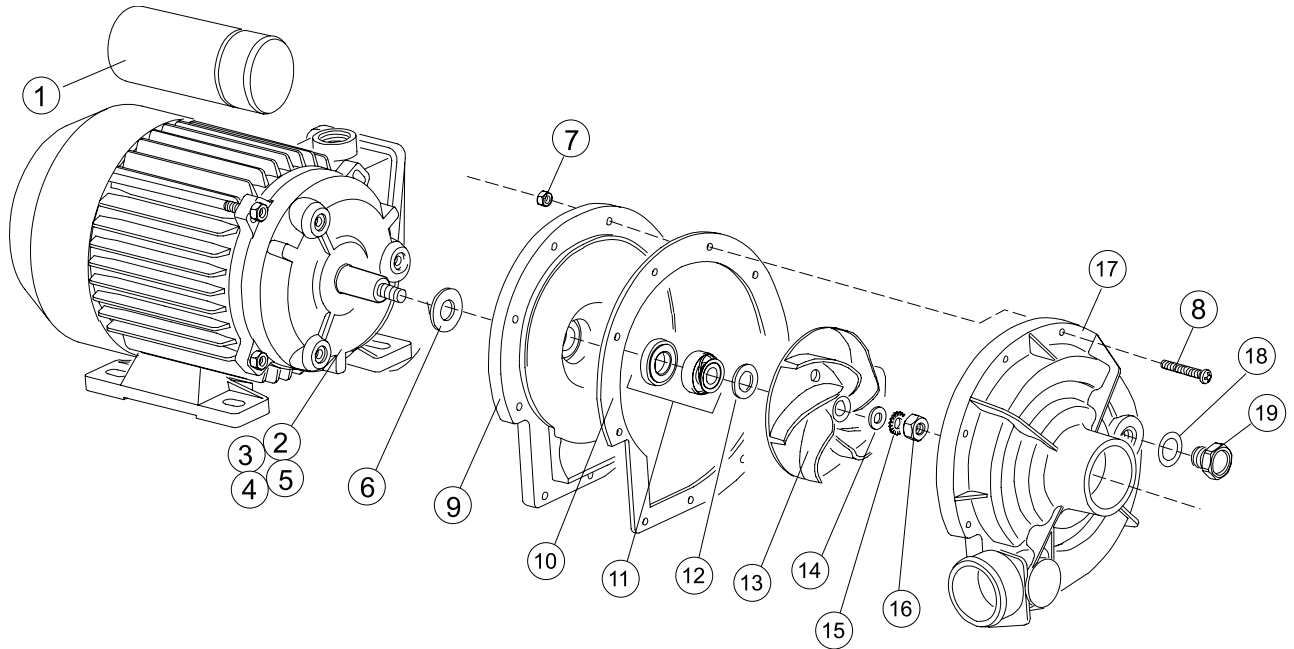
***This Page
Intentionally
Left Blank***

Service Replacement Parts

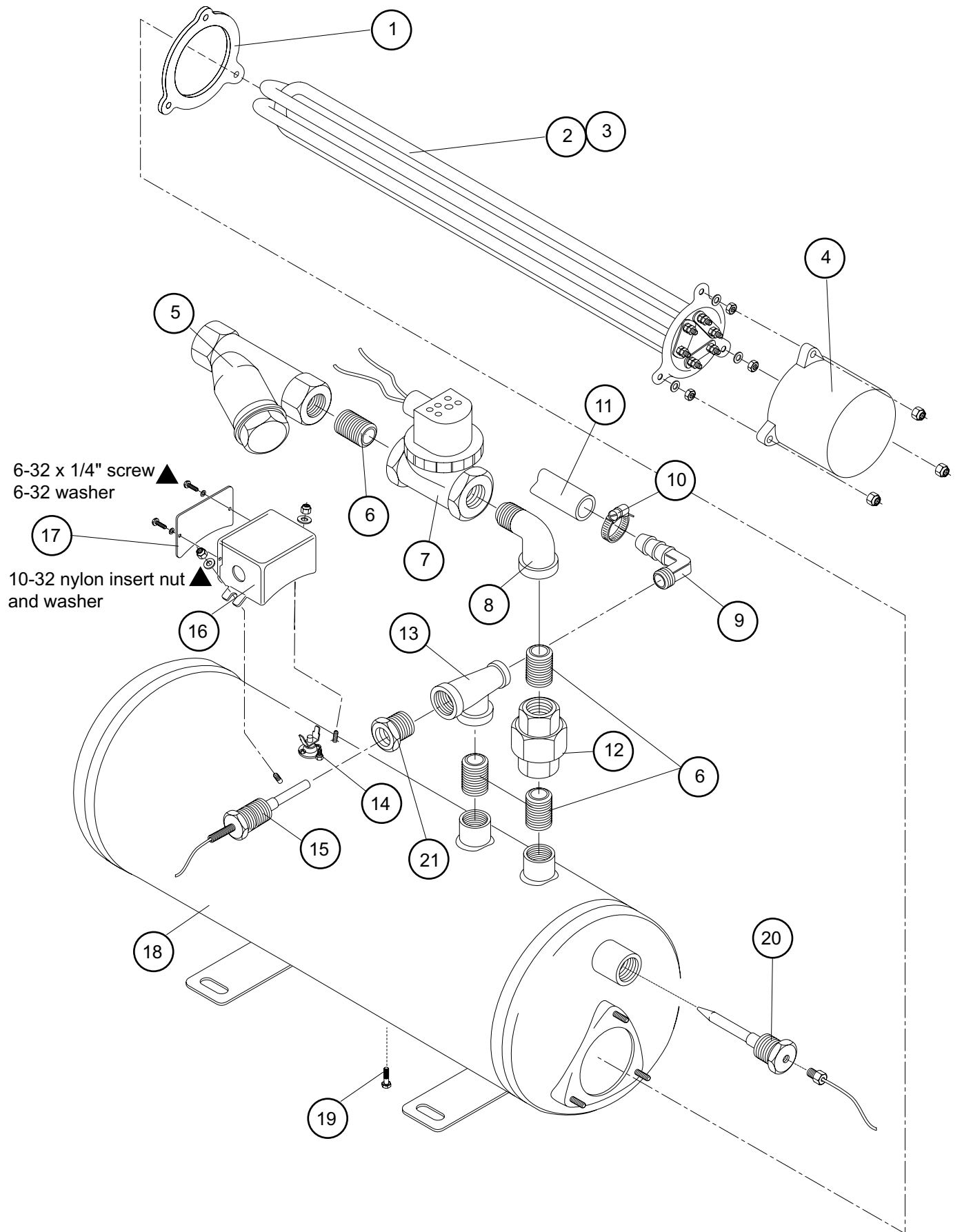
Models MD-1000HT • MD-1000LT

Illustrations	Page
Wash pump/motor assembly _____	45
MD-1000HT • Built-in booster assembly _____	47
MD-1000HT • Control cabinet enclosure _____	49
MD-1000HT • Control cabinet assembly _____	51
MD-1000LT • Control cabinet enclosure with chemical dispensing pumps _____	53
MD-1000LT • Control cabinet assembly _____	55
Top mounted assemblies _____ (water inlet airgap, chemical injection sight-glass, door safety switch)	57
Lower wash tank and drain assembly _____	59
Hood assembly _____	61
Front panel, temperature gauges, scrap screen covers _____	63
Dishrack track assembly _____	65
Sprayarm assembly _____	67

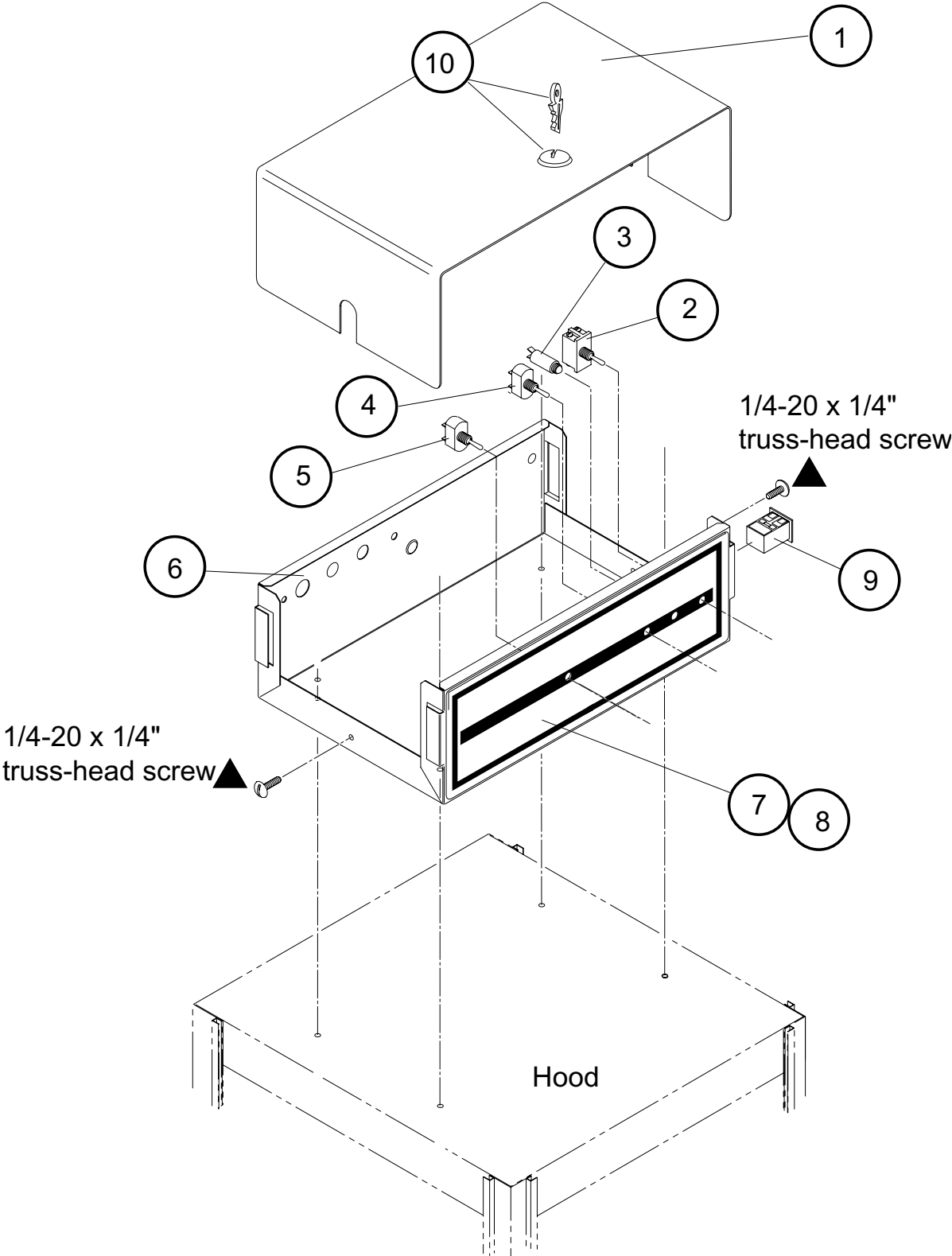
Item No.	Part No.	Description	Qty.	Unit
1	-----	capacitor 50uf/240VAC, (VC1000-HT 240V/1)	1	ea
---	-----	capacitor 15uf/450VAC, (VC1000LT 115V)	1	ea
2	0512015	complete motor/pump assy , 115VAC/60/1	1	ea
3	0512015-2	complete motor/pump assy , 220/60/1	1	ea
4	0512015-3	complete motor/pump assy , 220/60/3	1	ea
5	0512015-4	complete motor/pump assy , 220/50/3	1	ea
6	114134	water slinger	1	ea
7	114135	nut	10	ea
8	114136	screw	10	ea
9	114137	pump support	1	ea
10	114138	gasket	1	ea
11	114139	pump seal	1	ea
12	114140	washer	1	ea
13	114141	impeller	1	ea
14	114142	washer	1	ea
15	114143	lock washer	1	ea
16	114144	impeller nut	1	ea
17	114145	pump housing	1	ea
18	114146	o-ring	1	ea
19	114147	cap nut	1	ea
20	0310943	pump motor support	1	ea
21	107340	hose clamp	4	ea
22	0510942	discharge hose	1	ea
23	0510941	suction hose	1	ea



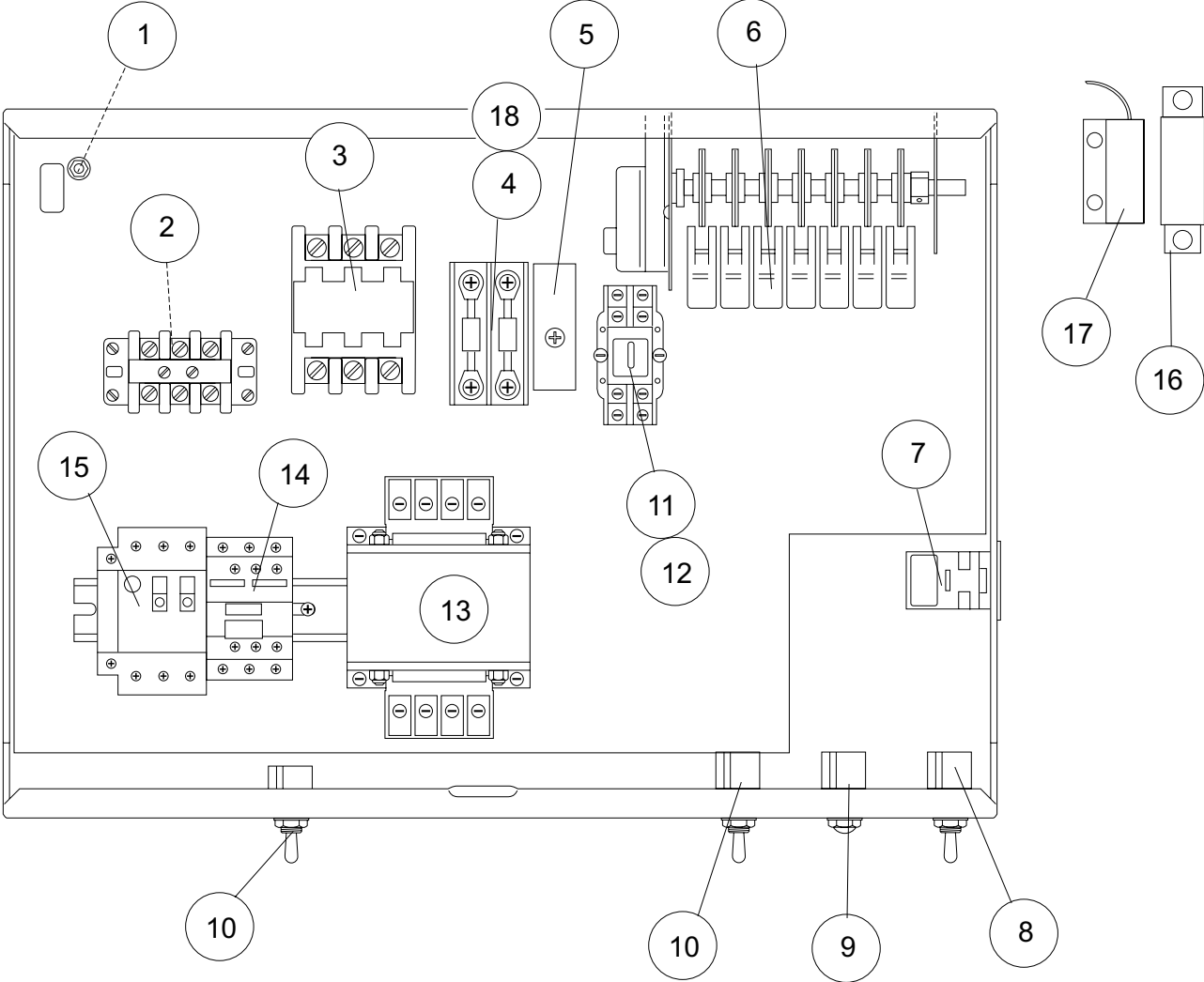
Item No.	Part No.	Description	Qty.	Unit
1	109985	booster element o-ring	1	ea
2	111233	booster heater, 220V/60/1 & 3 9kW, 40°F rise	1	ea
3	112059	booster heater, 220V/60/1 & 3 12kW, 70°F rise	1	ea
4	107908	booster element cover	1	ea
5	110768	3/4" brass line strainer	1	ea
6	100184	3/4" brass close nipple	4	ea
7	111437	3/4" solenoid valve 115VAC	1	ea
Nshown	108516	3/4" water solenoid valve coil	1	ea
Nshown	109903	3/4" water solenoid rebuild kit	1	ea
8	102444	3/4" brass street elbow	1	ea
9	113178	3/4" barb fitting	1	ea
10	113269	hose clamp	1	ea
11	114121	3/4" ID red hose	7	ft.
12	100571	3/4" brass union	1	ea
13	101525	Tee reducing 3/4" x 1/2" x 3/4"	1	ea
14	110562	fixed high limit thermostat	1	ea
15	113622	final rinse thermometer 4 ft. capillary	1	ea
16	110929	high limit box	1	ea
17	100930	high limit box panel	1	ea
18	0509042	booster cannister	1	ea
19	101210	1/8" brass plug	1	ea
20	109069	temperature control thermostat	1	ea
21	0512027	bushing	1	ea
Nshown	107922	control thermostat metal box and base plate	1	ea



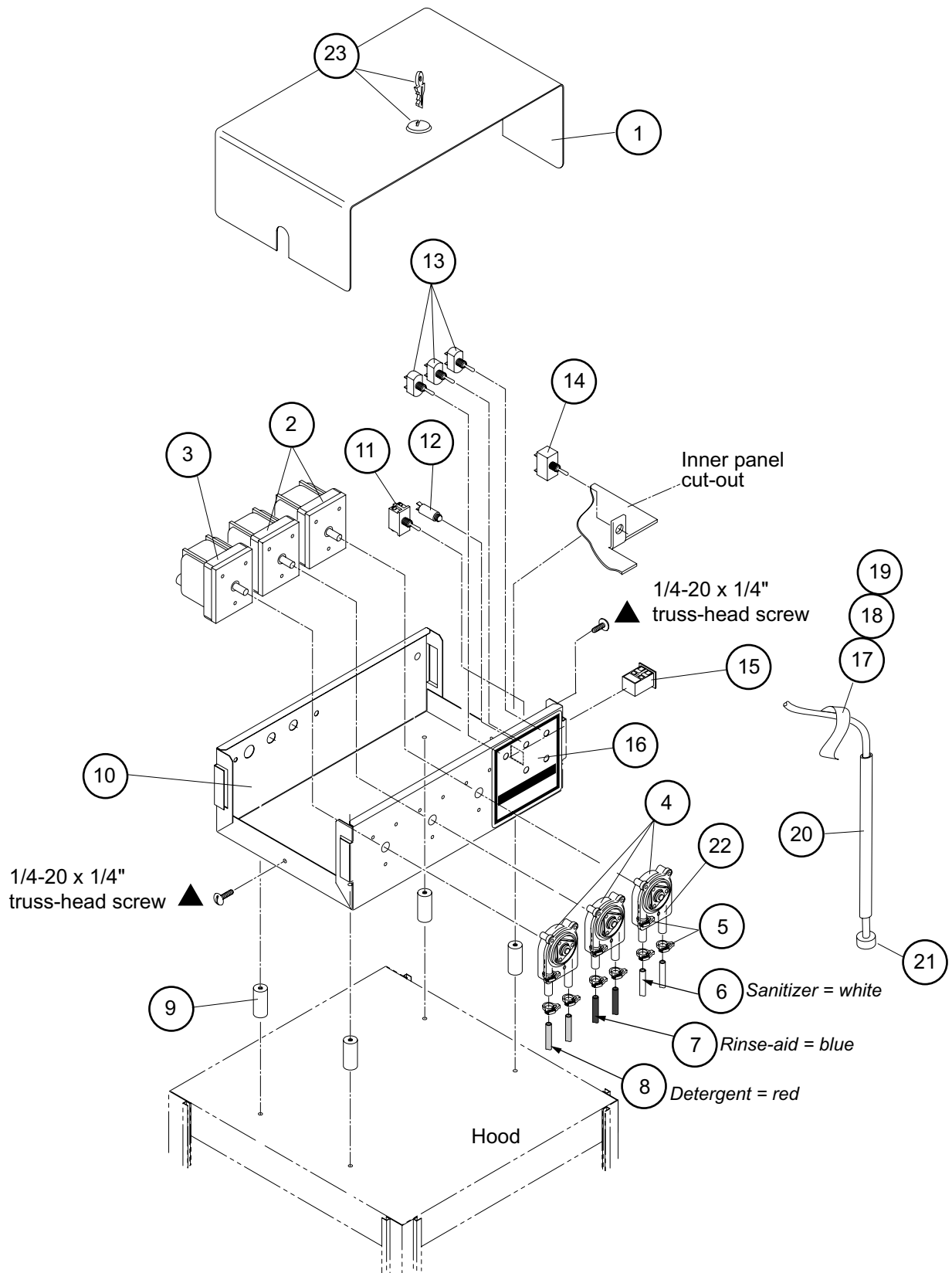
<i>Item No.</i>	<i>Part No.</i>	<i>Description</i>	<i>Qty.</i>	<i>Unit</i>
1	0310962	control cabinet cover	1	ea
2	0510398	power switch	1	ea
3	0508551	green cycle light	1	ea
4	0510399	fill and drain switch	1	ea
5	0510399	detergent /rinse-aid prime switch (optional)	1	ea
6	0310959	control cabinet	1	ea
7	0510833-8	standard control panel decal w/o prime switch	1	ea
8	0510833-10	optional control panel decal w/ prime switch	1	ea
9	0510825-1	cycle counter	1	ea
10	0510824-1	control cabinet lock w/ 2 keys	1	ea



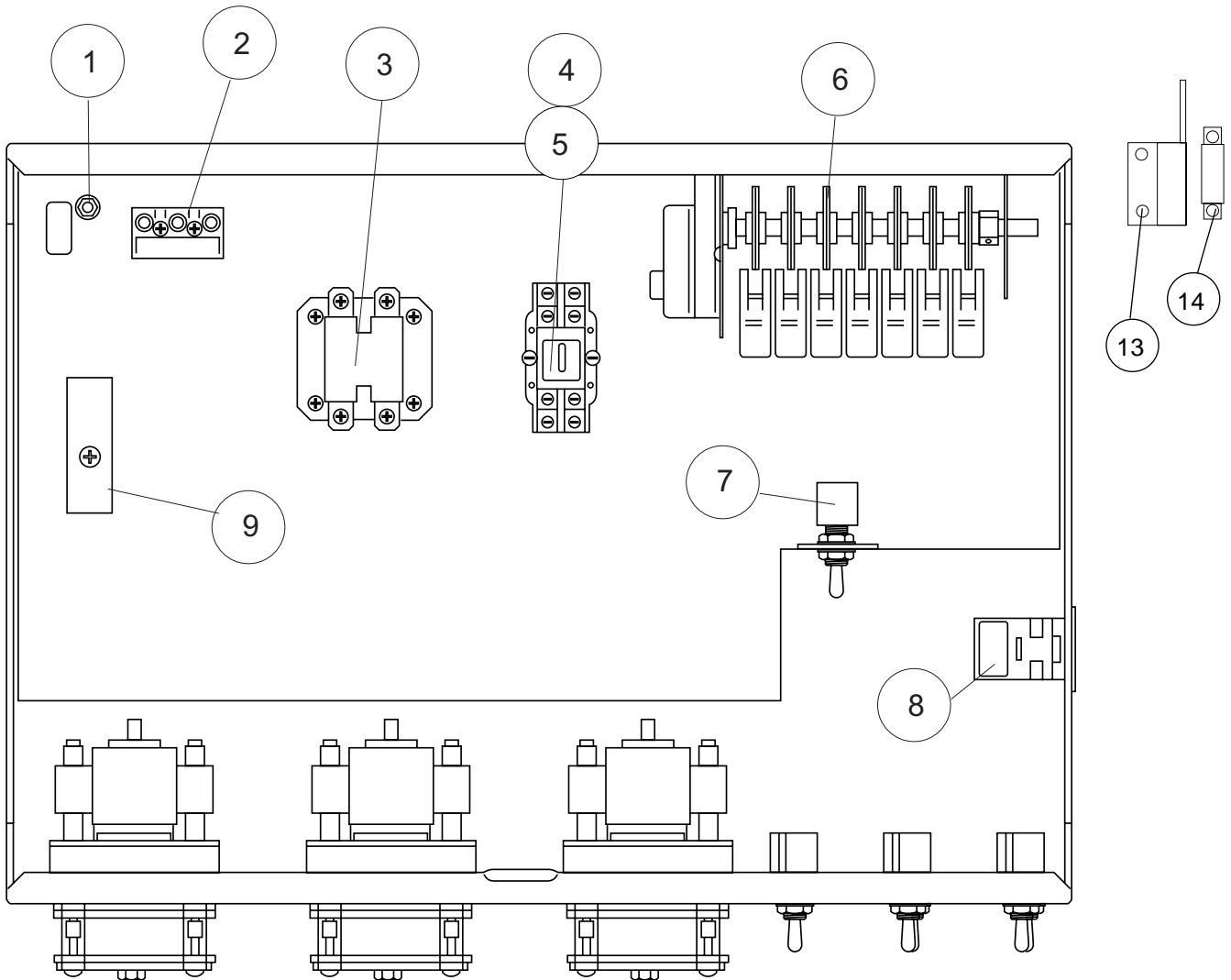
Item No.	Part No.	Description	Qty.	Unit
1	0501403	brass screw	1	ea
----	0501533	brass nut	1	ea
----	0501472	brass 1/8" flat washer	1	ea
----	0501493	brass lock washer	1	ea
2	0504951	terminal block	1	ea
3	105514	booster heat contactor	1	ea
4	106402	fuse block	1	ea
5	0503749	terminal board	1	ea
6	0512025	90-second timer assy	1	ea
7	0510825-1	cycle counter	1	ea
8	0510398	power switch	1	ea
9	0508551	green cycle light	1	ea
10	0510399	fill/drain switch	1	ea
----	0510399	optional detergent/rinse-aid prime switch	1	ea
11	111036	relay socket	1	ea
12	111068	120VAC relay	1	ea
13	109604	step down transformer	1	ea
14	108122	12 Amp motor contactor	1	ea
15	110806	motor overload	1	ea
16	111026	door safety switch magnet	1	ea
17	111090	door safety reed switch	1	ea
18	112484	ADTR-1.5 Amp fuse	2	ea



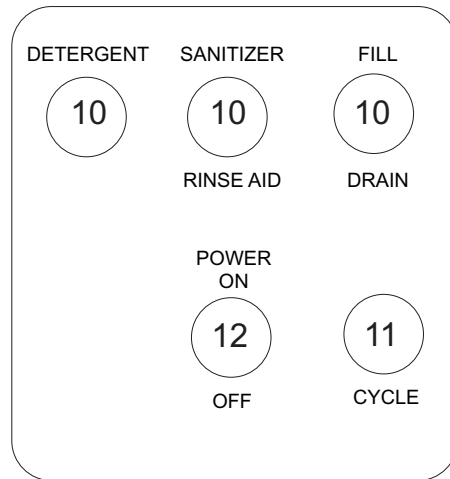
Item No.	Part No.	Description	Qty.	Unit
1	0310962-1	control cabinet cover	1	ea
2	0510872-1	sanitizer & rinse aid pump mtr. 115VAC, 14RPM	2	ea
3	0510870-1	detergent pump motor, 115VAC, 108 RPM	1	ea
4	0510869-1	pump head assy.	3	ea
5	108412	tube clamp	14	ea
6	107928	clear sanitizer feed tubing	20	feet
7	107930	blue rinse-aid feed tubing	16	feet
8	107929	red detergent feed tubing	16	feet
9	0312062	control cabinet leg	4	ea
10	0310959-1	control cabinet bottom	1	ea
11	0501398	power switch	1	ea
12	0508551	green cycle light	1	ea
13	0510399	momentary switch	3	ea
14	0501373-1	delime switch	1	ea
15	0510825-1	cycle counter	1	ea
16	0510833-5	decal	1	ea
17	0503695	detergent label	1	ea
18	0505483	rinse-aid label	1	ea
19	0503694	sanitizer label	1	ea
20	0306363	stiffener tube	3	ea
21	0501869	strainer	3	ea
22	108194	squeeze tube assy	3	ea
23	0510824-1	lock w/ 2 keys	1	ea



Item No.	Part No.	Description	Qty.	Unit
1	0501403	brass screw	1	ea
----	0501533	brass nut	1	ea
----	0501472	brass 1/8" flat washer	1	ea
----	0501493	brass lock washer	1	ea
2	0510635	terminal block	1	ea
3	107369	pump motor contactor 25 FLA	1	ea
4	111036	relay socket	1	ea
5	111068	120VAC relay	1	ea
6	0512018	90-second timer	1	ea
7	0501373-1	delime switch	1	ea
8	0510825-1	cycle counter	1	ea
8	0510398	power switch	1	ea
9	0503749	terminal board	1	ea
10	0501399	momentary toggle switch	3	ea
11	0508551	green cycle light	1	ea
12	0510398	power switch	1	ea
13	111090	door safety reed switch	1	ea
14	111026	door safety switch magnet	1	ea

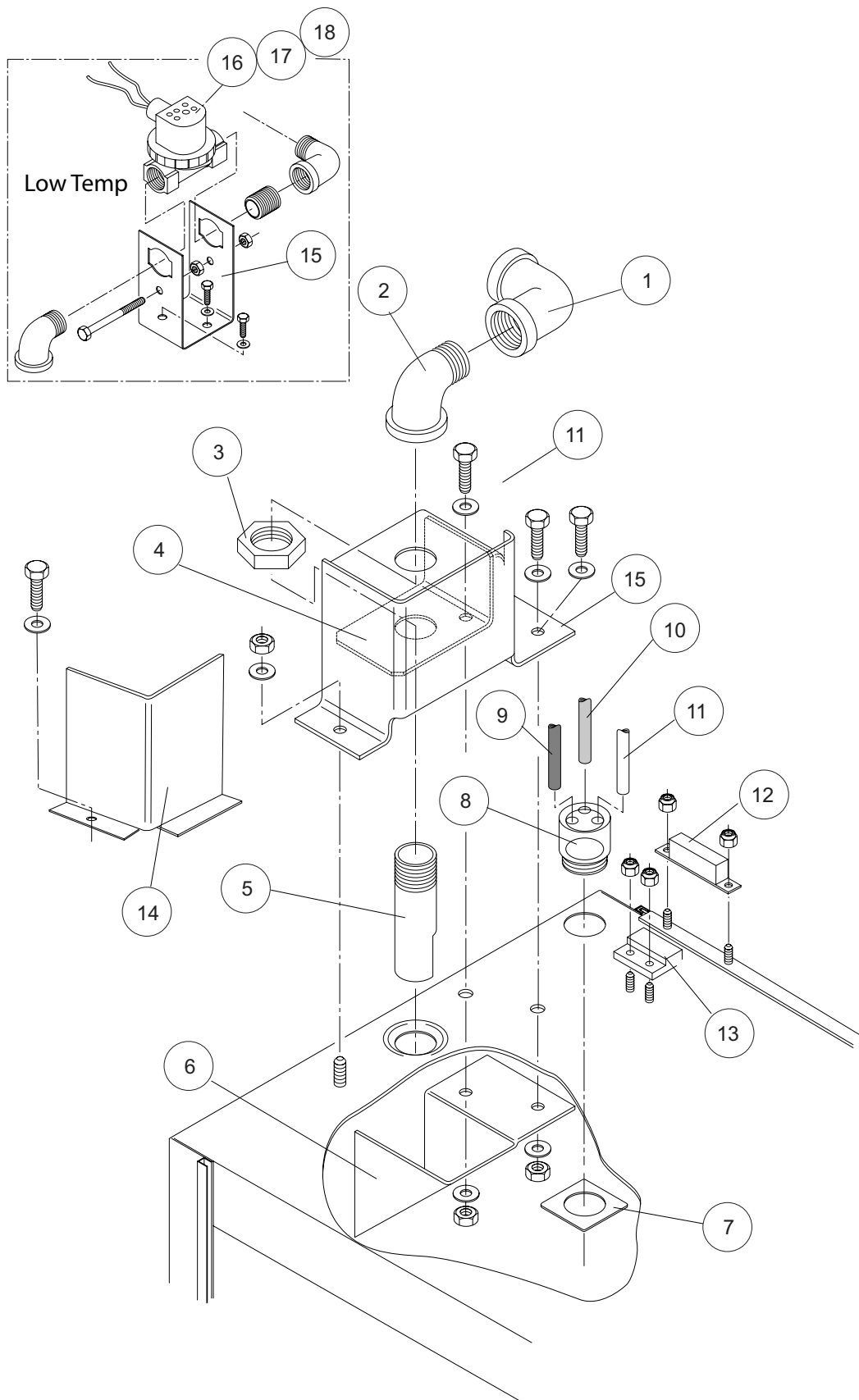


See page 52-53 for chemical dispenser pumps

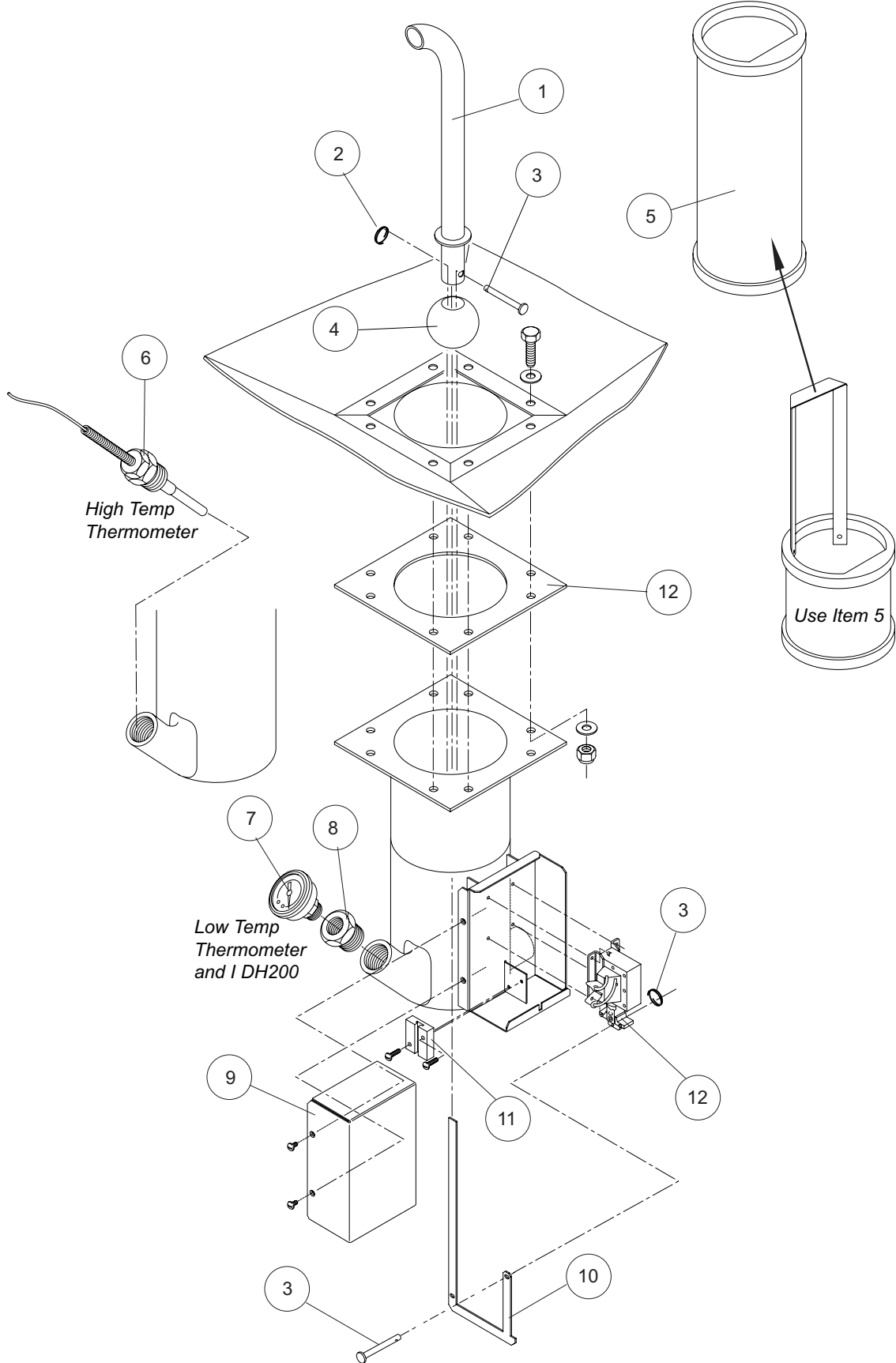


water inlet airgap chemical injection sight-glass,
door safety switch

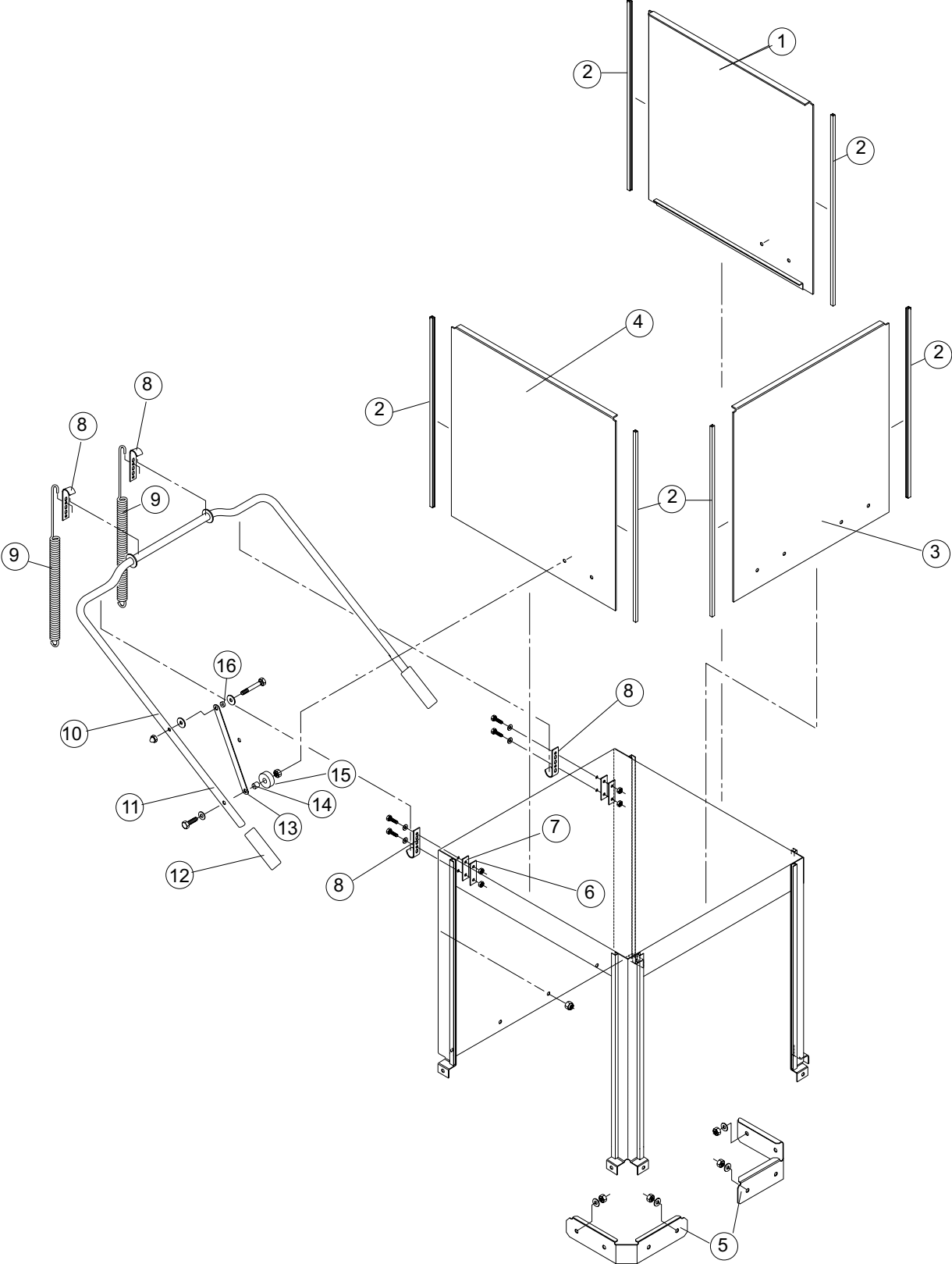
Item No.	Part No.	Description	Qty.	Unit
1	102442	90 degree x 3/4" elbow	1	ea
2	102444	90 degree x 3/4" street elbow	1	ea
3	100156	3/4" locknut	1	ea
4	0310422-2	water inlet bracket	1	ea
5	0512021	air gap fitting	1	ea
6	0312014	water diverter	1	ea
7	0303590	sight-glass retaining plate	1	ea
8	0510987	sight-glass	1	ea
9	107930	blue rinse-aid feed tube	16	feet
10	107929	red detergent feed tubing	16	feet
11	107928	clear sanitizer feed tubing (MD-1000LT only)	20	feet
12	111026	door safety magnet	1	ea
13	111090	door safety switch	1	ea
14	0312046-2	splash guard (MD-1000HT only)	1	ea
15	0712046	valve mount bracket	1	ea
16	111437	3/4" solenoid valve (MD-1000LT top mounted)	1	ea
17	108516	3/4" solenoid coil 115VAC	1	ea
18	109903	3/4" solenoid valve rebuild kit	1	ea



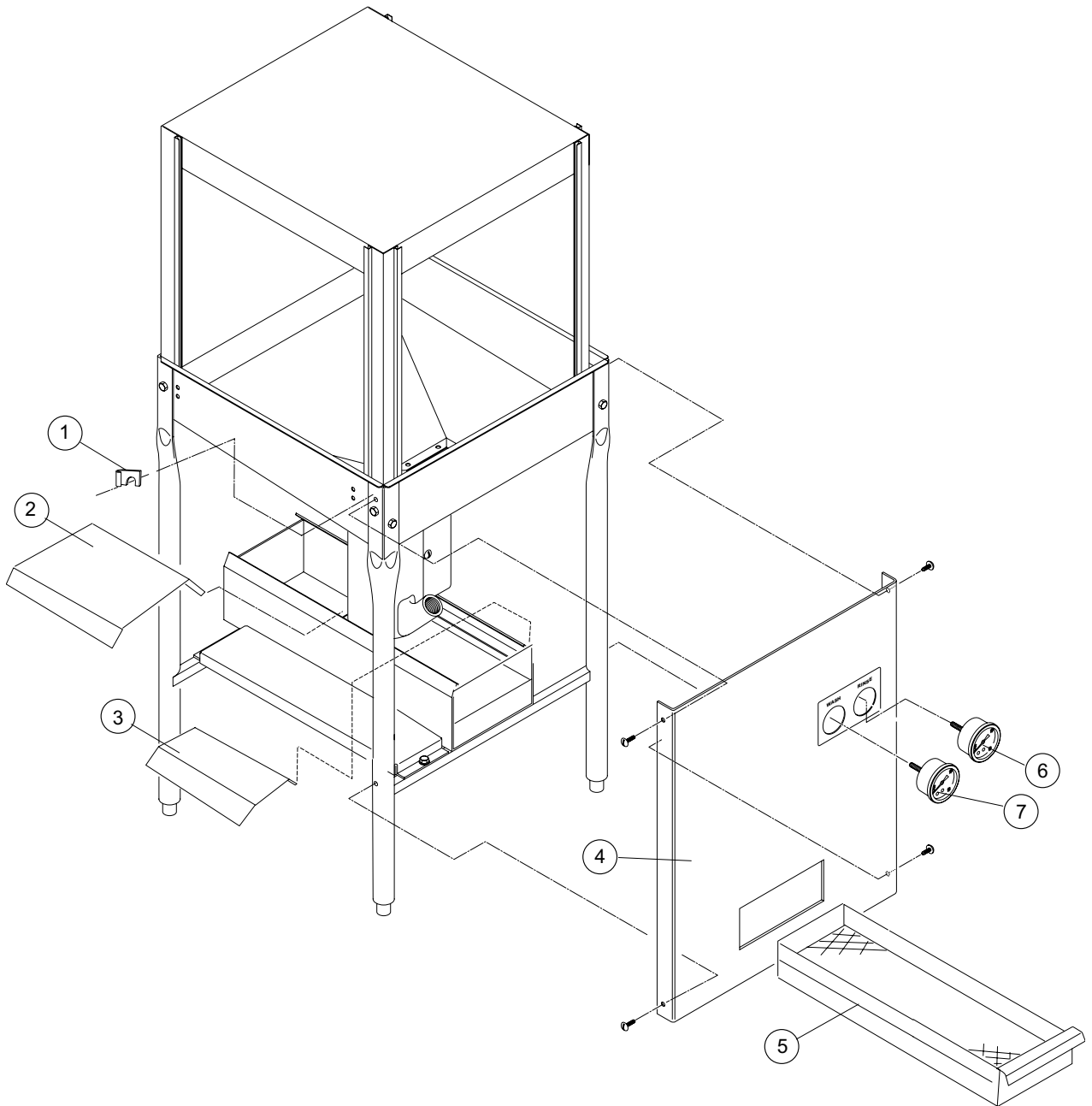
Item No.	Part No.	Description	Qty.	Unit
1	0512012	drain overflow tube	1	ea
2	0510849	retaining ring	2	ea
3	202009	pin	2	ea
4	0510497	drain ball	1	ea
5	107440	thermometer w/ 8 ft. capillary (MD-1000HT)	1	ea
6	0510249	pump screen	1	ea
7	0510845-1	2" stem thermometer (MD-1000LT)	1	ea
8	0510846-1	reducing bushing	1	ea
9	0312017	drain solenoid cover	1	ea
10	0310771-3	drain lift rod	1	ea
11	0510773-1	lift rod guide	1	ea
12	0510400	drain solenoid	1	ea
13	0710739-2	drain sump	1	ea
14	0510202-3	sump gasket	1	ea



Item No.	Part No.	Description	Qty.	Unit
1	0712060-2	right-hand door	1	ea
2	0510844-1	door guide	6	ea
3	0712060-1	front door	1	ea
4	0712060-3	left-hand door	1	ea
5	0312061	door lift bracket	4	ea
6	0310792-1	pivot plate	2	ea
7	0510791-1	pivot plate gasket	2	ea
8	0310781-1	door pivot hook	4	ea
9	0510459	door spring	2	ea
10	0510799-1	door handle	1	ea
11	0501421	door handle mounting bolt	2	ea
12	107962	handle grip	2	ea
13	0301789-1	door lift bar	2	ea
14	0510788-1	pivot bushing	4	ea
15	0510787-1	white spacer	2	ea
16	0310788-1	door handle pivot	2	ea

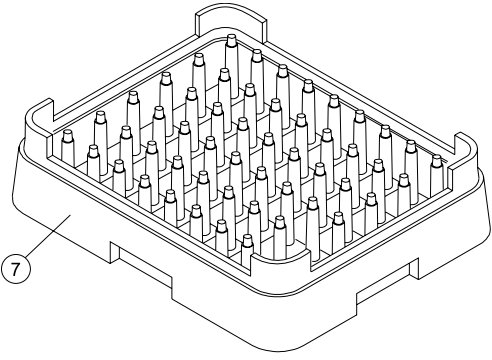
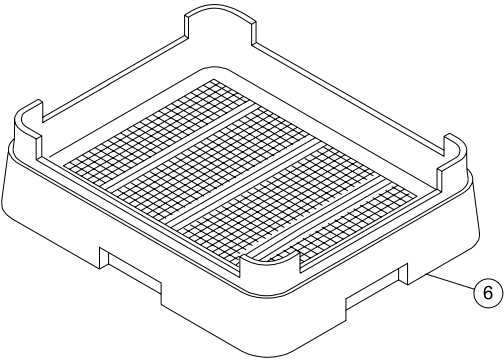
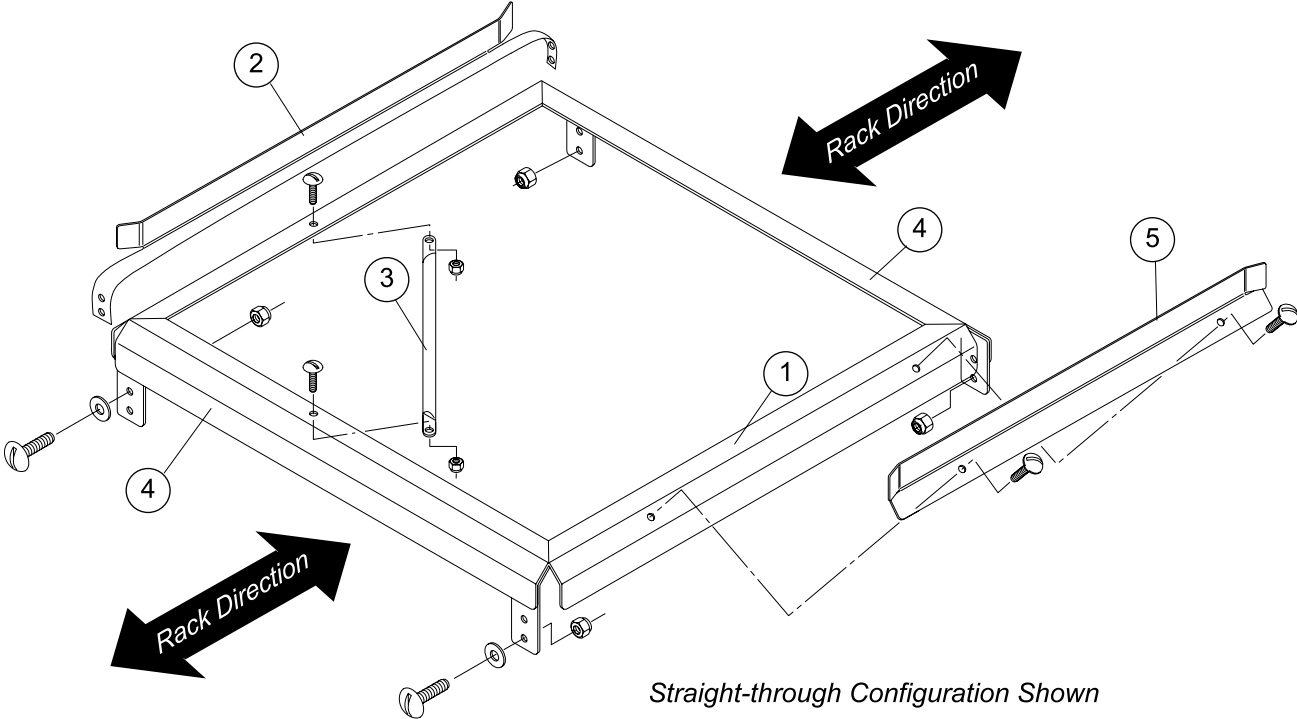


Item No.	Part No.	Description	Qty.	Unit
1	0312011	front panel clip	2	ea
2	0312029-1	rear drain pan cover	1	ea
3	0312029	front drain pan cover	1	ea
4	0312010	front panel (MD-1000HT only)	1	ea
5	0310979	scrap basket	1	ea
6	113622	final rinse temperature thermometer w/ 4 ft. capillary	1	ea
7	107440	wash temperature thermometer w/8 ft. capillary	1	ea

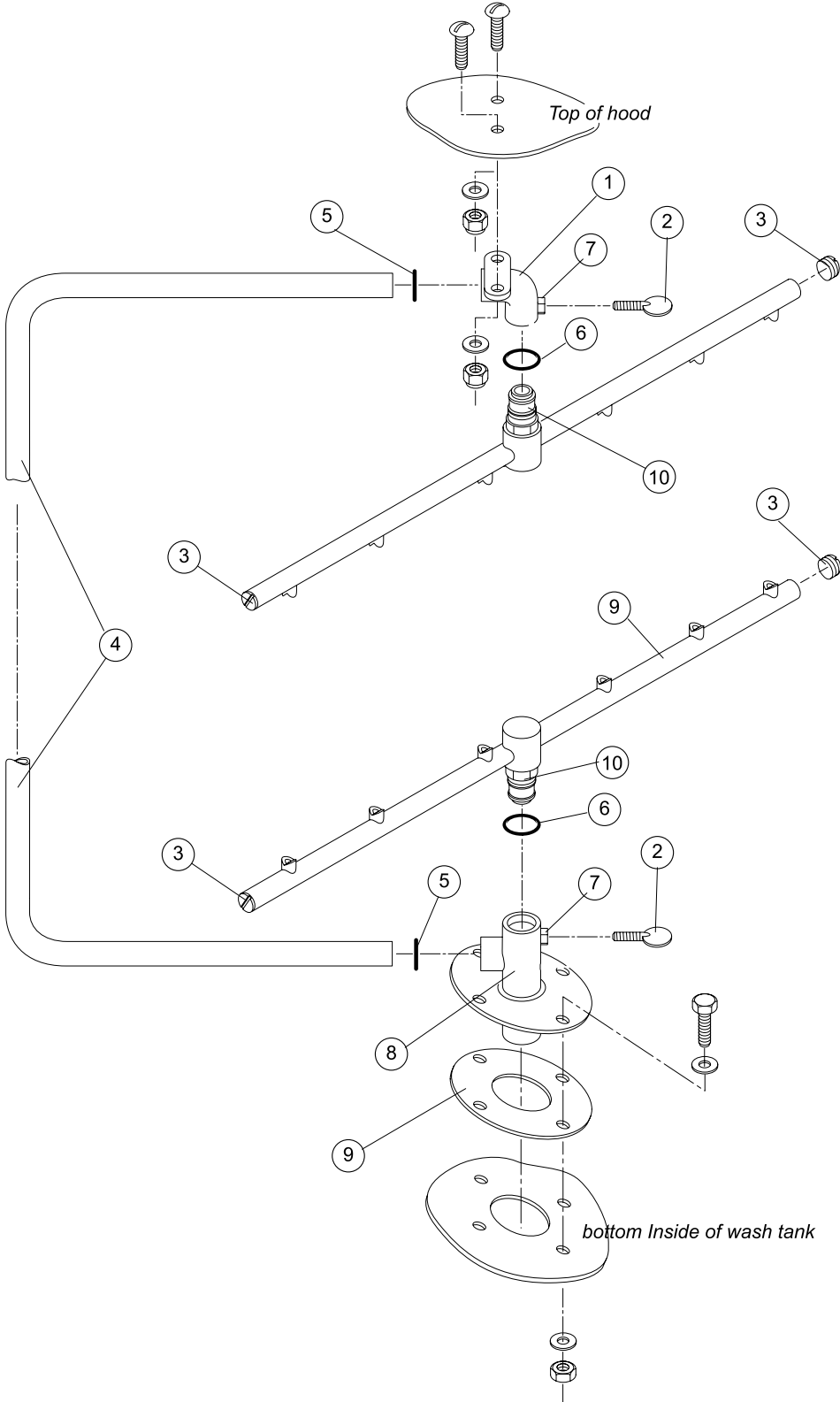


Item No.	Part No.	Description	Qty.	Unit
1	0309472-4	front track	1	ea
2	0309472-3	rear track	1	ea
3	0309470-3	cross tube	1	ea
4	0309472-6	cross track splash guard	2	ea
5	0309472-5	track rail	1	ea
6	101273	flat-bottom silverware rack	A/R	ea
7	101285	peg rack dishware	A/R	ea

A/R = as requested



Item No.	Part No.	Description	Qty.	Unit
1	0510743-1	upper wash hub	1	ea
2	0510495	thumbscrew	2	ea
3	114153	sprayarm end plug (remove for cleaning)	4	ea
4	0510774-2	spray pipe	1	ea
5	0510849	spray pipe o-ring	2	ea
6	114133	sprayarm bearing o-ring	2	ea
7	0512063	thumbscrew bushing	2	ea
8	0510741-1	lower wash hub	1	ea
9	0510769-1	lower wash hub gasket	1	ea
10	-----	sprayarm bearing assembly	2	ea



***This page
intentionally
left blank***

Appendix A:
Specification Sheets
Models MD-1000HT • MD-1000LT

Note:
*This section was not available at print time.
The specification sheets will be added
as soon as possible.*

***This page
intentionally
left blank***

Electrical Schematics and Timer Cycle Charts

Models MD-1000HT • MD-1000LT

***This page
intentionally
left blank***

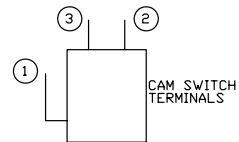
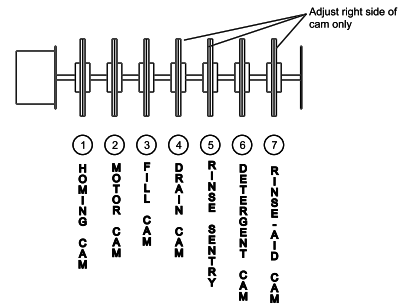
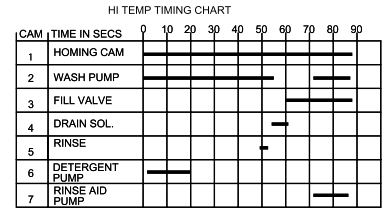
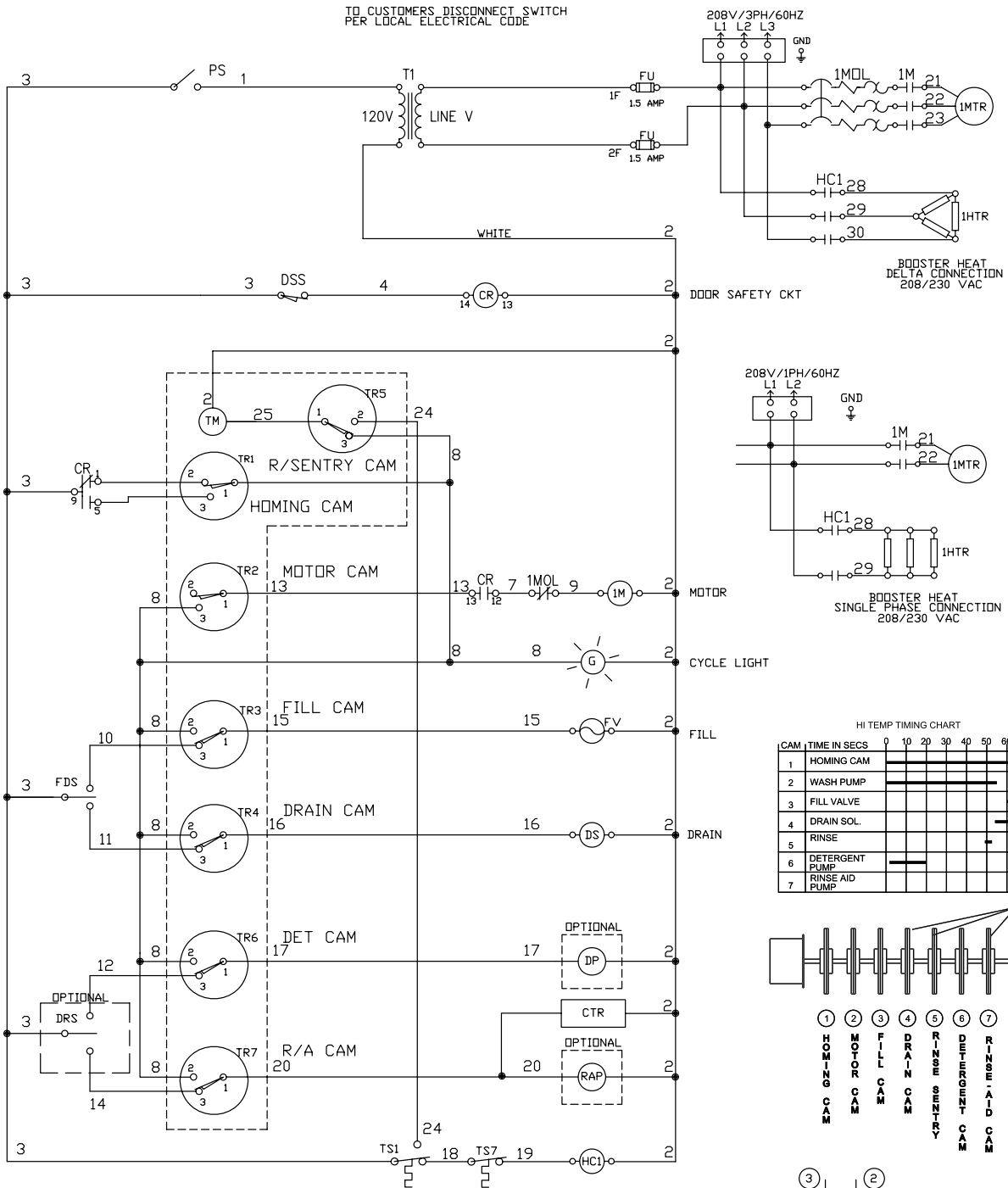


DIAGRAM STATE
END OF CYCLE
POWER-OFF
DOOR-CLOSED

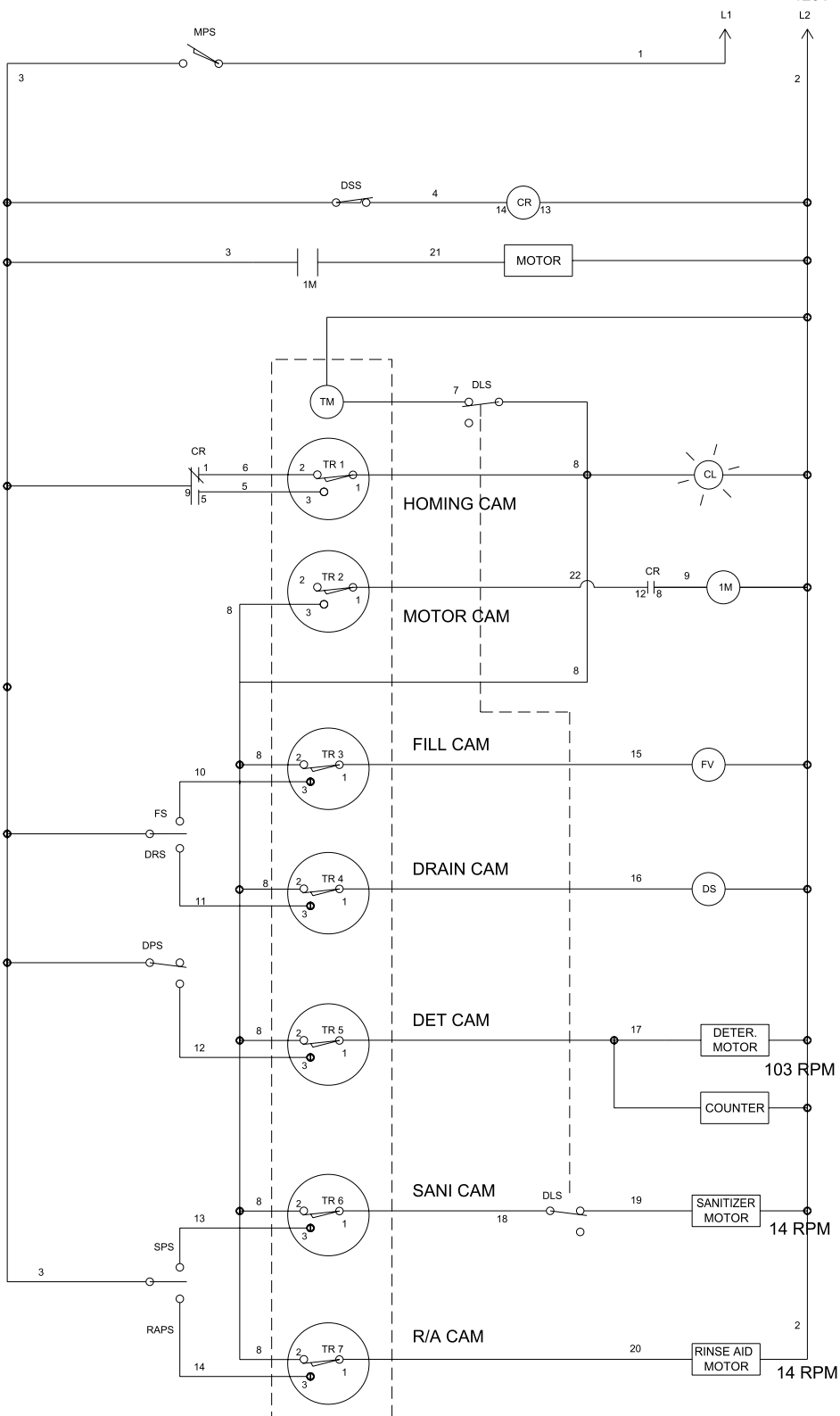
IHTR	BOOSTER HEATER
IM	PUMP MOTOR CONTACTOR
IMOL	PUMP MOTOR OVERLOAD
IMTR	PUMP MOTOR
CR	CONTROL RELAY
CTR	CYCLE COUNTER
DP	DETERGENT PUMP
DRS	DETERGENT RINSE SWITCH
DS	DRAIN SOLENOID
DSS	DOOR SAFETY SWITCH
FDS	FILL DRAIN SWITCH
FU	FUSE
FV	FILL VALVE
GND	GROUND
HC1	BOOSTER CONTACTOR
PS	POWER ON SWITCH
RAP	RINSE AID PUMP
T1	CONTROL TRANSFORMER
TM	TIMER MOTOR
TS1	BOOSTER THERMOSTAT
TS7	BOOSTER SAFETY THERMOSTAT

HIGH TEMPERATURE
Door-type Dishwasher
B-0512020-1 rev.c
208-240VAC/60/1and 3 PH

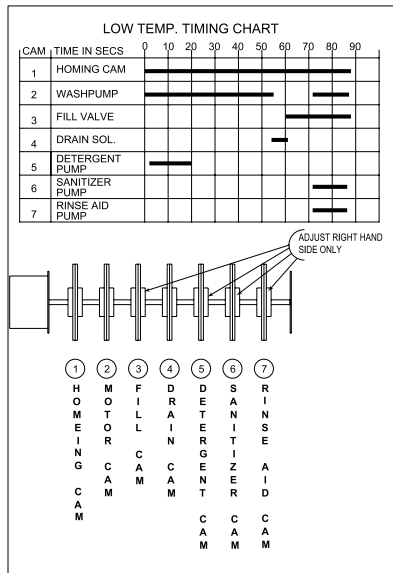
DIAGRAM STATE
END OF CYCLE
POWER-OFF
DOOR-CLOSED

MINIMUM CIRCUIT AMPACITY
15 AMPS
MAXIMUM OVERCURRENT
PROTECTION 20 AMPS

15 AMP
120V



1M	MOTOR CONTACTOR
CL	IN CYCLE LIGHT
DLS	DE-LIMING SWITCH
DPS	DETERGENT PRIME SWITCH
CR	DOOR SAFETY SWITCH RELAY
DSS	DOOR SAFETY SWITCH
DS	DRAIN SOLENOID
FS	FILL SWITCH
FV	FILL VALVE
MPS	MAIN POWER SWITCH
RAPS	RINSE AID PRIME SWITCH
SPS	SANITIZER PRIME SWITCH
TM	TIMER MOTOR
TR1-7	TIMER CAMS 1 - 7
DRS	DRAIN SWITCH



Low Temperature
Door-type Dishwasher
B-0512020
115VAC/60/1

Free Manuals Download Website

<http://myh66.com>

<http://usermanuals.us>

<http://www.somanuals.com>

<http://www.4manuals.cc>

<http://www.manual-lib.com>

<http://www.404manual.com>

<http://www.luxmanual.com>

<http://aubethermostatmanual.com>

Golf course search by state

<http://golfingnear.com>

Email search by domain

<http://emailbydomain.com>

Auto manuals search

<http://auto.somanuals.com>

TV manuals search

<http://tv.somanuals.com>