

User Manual /  
Manual del Usuario

MR. COFFEE®

Burr Mill BMH Series  
Molinillo de Piñones serie BMH

MR. COFFEE®



© 2011 Sunbeam Products, Inc. doing business as Jarden Consumer Solutions. All rights reserved.  
Distributed by Sunbeam Products, Inc. doing business as Jarden Consumer Solutions,

Boca Raton, Florida 33431.

U.S. 1-800-MR. COFFEE® (1-800-672-6333)

Canada 1-800-667-8623

Visit us at [www.mrcoffee.com](http://www.mrcoffee.com)

You will find exciting and entertaining tips and ideas,  
including great recipes!

SPR102810-661

© 2011 Sunbeam Products, Inc. operando bajo el nombre de Jarden Consumer Solutions.  
Todos los derechos reservados. Distribuido por Sunbeam Products, Inc. operando bajo el nombre  
de Jarden Consumer Solutions, Boca Raton, Florida 33431.

Visítenos en [www.mrcoffee.com](http://www.mrcoffee.com)

Aquí encontrará consejos e ideas excitantes y entretenidos,  
¡incluyendo excelentes recetas!

# IMPORTANT SAFEGUARDS

To reduce the risk of fire, electric shock and/or injury to persons, basic safety precautions should always be followed when using electrical appliances, including the following:

1. **READ ALL INSTRUCTIONS BEFORE USING THE MACHINE.**
2. To protect against electric shock, do not immerse cord, plugs or machine in water or in any other liquid.
3. Close adult supervision is necessary when this appliance is used by or near children.
4. Press START/STOP button and unplug from outlet when not in use and before cleaning. Allow the appliance to cool before installing or removing parts and before cleaning the appliance.
5. Avoid contacting moving parts.
6. Do not operate any appliance with a damaged cord or plug or after the appliance malfunctions, or has been damaged in any manner. Return this appliance only to the nearest Authorized Service Center for examination, repair or adjustment.
7. The use of accessory attachments not recommended for MR. COFFEE® products may cause hazards or injuries.
8. Do not use the appliance outdoors.
9. Do not let the appliance cord hang over edge of table or counter, or touch hot surfaces.
10. Check the appliance hopper for presence of foreign objects before using.
11. Do not place this appliance on or near a hot gas or electric burner or in a heated oven.
12. To disconnect, press the START/STOP button, then remove the plug from the wall outlet.
13. Do not use the appliance for other than intended household use.



**WARNING!** To reduce the risk of fire or electric shock, do not remove any service covers. There are no user serviceable parts inside the Burr Mill. Only authorized personnel should repair the Burr Mill.

Please read ALL of the instructions in this manual carefully before you begin to use this appliance. Proper care and maintenance will ensure a long life and a trouble-free operation for this appliance. Please save these instructions and refer to them for cleaning and care tips.

## SAVE THESE INSTRUCTIONS

### INTRODUCTION

Thank you for selecting Mr. Coffee BMH Series Burr Mill. Only a MR. COFFEE® Burr Mill delivers better taste at a great value!

### SPECIAL CORD SET INSTRUCTIONS

1. A short power supply cord is provided to reduce the hazards resulting from a person or pet becoming entangled in, or tripping over, a longer cord.
2. An extension cord may be purchased and used if care is exercised in its use.
3. If an extension cord is used, the marked electrical rating of the extension cord must be at least 10 amps and 120 volts. The resulting extended cord must be arranged so that it will not drape over a countertop or tabletop where it can be pulled on by children or tripped over accidentally.
4. This appliance has a polarized plug (one blade is wider than the other). To reduce the risk of electric shock, this plug will fit in a polarized outlet only one way. If the plug does not fit fully in the outlet, reverse the plug. If it still does not fit, contact a qualified electrician. Do not modify the plug in any way.
5. You can customize the length of the power cord so that it is the exact length you desire. To increase the length of the power cord: grasp the power cord (not the power plug) and gently lift it out of the slot, then pull it away from the grinder. To decrease the length of the power cord: grasp the power cord (not the power plug), lift it out of the slot and wrap into the base of the grinder. Lock the cord in the slot when finished.

# Table of Contents

Important Safeguards ..... 2

Special Cord Set Instructions ..... 2

Introduction ..... 3

Table of Contents ..... 4

Parts Diagram ..... 5

Features and Benefits ..... 6

Getting Started ..... 6

How To Use Your Burr Mill ..... 7

Coffee Measurement Chart ..... 8

Helpful Grinding Hints ..... 8-9

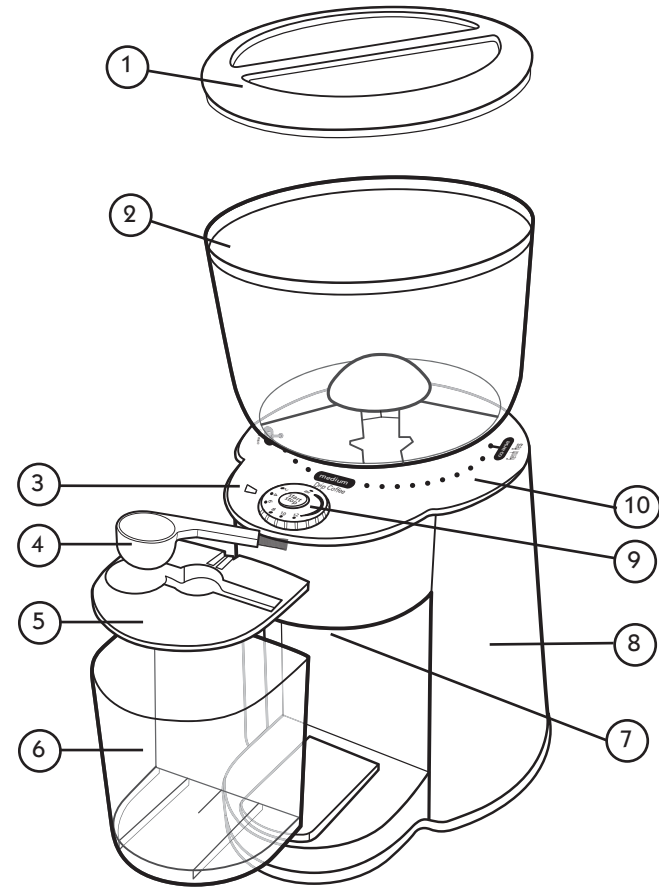
Cleaning Your Burr Mill ..... 10

Troubleshooting Your Mr. Coffee® Burr Mill ..... 10-11

Service and Maintenance ..... 12

Warranty Information ..... 13

# PARTS DIAGRAM



- |  |  |
|--|--|
| <b>1</b> Bean Hopper Lid                 | <b>6</b> Grinding Chamber                |
| <b>2</b> Bean Hopper                     | <b>7</b> Grinding Chamber Chute          |
| <b>3</b> ON/OFF Indicator Light          | <b>8</b> Mill Motor Housing              |
| <b>4</b> Built-In Scooper/Cleaning Brush | <b>9</b> Start/Stop & Cup Selection Dial |
| <b>5</b> Grinding Chamber Lid            | <b>10</b> Grind Selection                |



## BURR MILL FEATURES AND BENEFITS

Your new Mr. Coffee Burr Mill has the following features:

- **Whole Bean Hopper** - Removable and easy to clean bean hopper holds up to a ½ lb. of coffee beans at a time.
- **18 Custom Grind Selections** - Choose from 18 different grind selections from fine (espresso grade) to course (French Press grade) for your customized brewing method.
- **Start/Stop Button & Cup Selection Dial** - Perfect portions every time with automatic grind settings from 2-18 cups.
- **Automatic Shut-Off** - Eliminates the guesswork by automatically stopping at the desired portion chosen.
- **Removable Ground Coffee Chamber** - Lets you easily transfer ground coffee.
- **Stainless Steel Design** - A stylish accessory for your kitchen.
- **On/Off Indicator Light** - LED illuminates letting you know your Burr Mill is ready for use.
- **Cord Storage** - Safely stores excess cord to keep your countertop neat.
- **Built-In Scoop/Brush** - Makes clean up easy.

## GETTING STARTED

Always clean your Burr Mill before using the first time.

Make sure that your 1st cup of coffee is as good as can be by cleaning your Mr. Coffee Burr Mill before its first use. Just follow these simple steps:

1. Wash the bean hopper and grinding chamber parts with warm soapy water. (Never use abrasive cleansers, steel wool pads or other abrasive materials. UNIT IS NOT DISHWASHER SAFE).

 **CAUTION!** Never immerse the Burr Mill itself in water, in any other liquid or place in the dishwasher.

2. Dry all pieces thoroughly.
3. Install the Bean Hopper onto the unit and turn clockwise (several rotations-will hear clicking as unit gets tighter) until it stops with the grind size indicator on Fine (Figure 1).
4. Please chamber lid back on grinder chamber and then install into unit, tightly locking into place.

**NOTE:** If all Bean Hopper and Grinding Chamber parts are not tightly in place correctly, the safety switches within the machine will not allow the grinder to work. You **MUST** have all parts in place to safely use the Burr Mill.

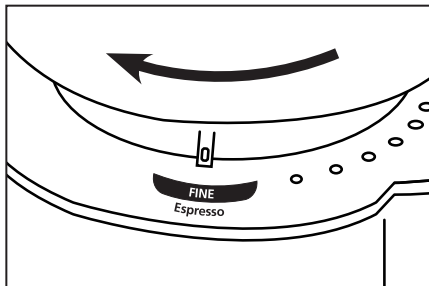


Figure 1

## HOW TO USE YOUR BURR MILL

1. After all parts have been put into place, fill the Bean Hopper with coffee beans and replace the lid.
2. Adjust the grind size by rotating the hopper counterclockwise and then aligning the indicator on the hopper to your desired grind size (Figure 2).

**NOTE:** Grind size setting will change the output volume of grounds. Fine will produce less grounds and course will product more grounds when the same volume (cup) setting is used.

3. Set the Cup Selection Dial to the desired amount of grounds (Figure 3).
4. Press and hold briefly the Start/Stop button to start the grinding process.
5. The unit will automatically stop when the selected volume has been reached.

**NOTE:** You may also stop the grinding process at anytime by pressing the Start/Stop button again.

6. Remove the coffee chamber and lid and use the grounds as needed.
7. Cleaning brush can be used to remove dust from grind chamber chute located behind the removable grinding chamber (Figure 4).

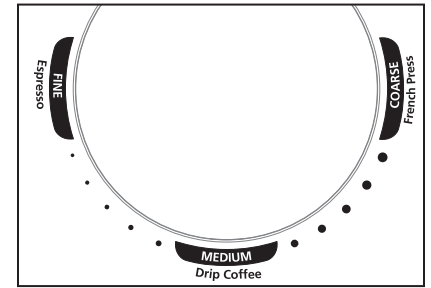


Figure 2

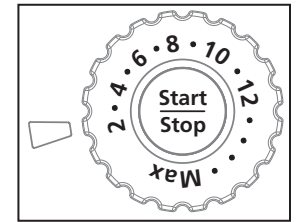


Figure 3

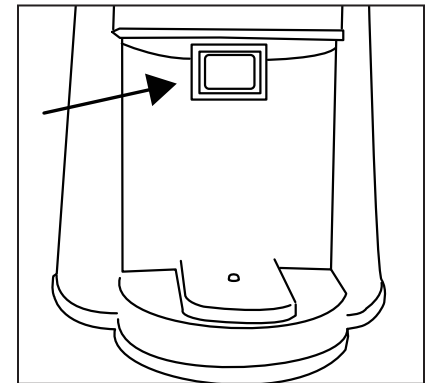


Figure 4

## COFFEE MEASUREMENT CHART

For Medium Ground Coffee

Cups of Coffee (5 oz. each)	Bean Quantity Approximate (Tablespoons)
12 Cups	12 Tbsp
10 Cups	10 Tbsp
8 Cups	8 Tbsp
6 Cups	6 Tbsp
4 Cups	4 Tbsp
2 Cups	2 Tbsp

1. The amount of whole coffee beans required is about the same as the specified quantity of medium ground coffee tablespoons.
2. The unit will work for about 1 minute if you have selected the 12 cups setting.
3. The unit may be stopped during grinding by:
  - The user - you may press the Start/Stop button at any time to stop the grinding operation.
  - Opening the hopper lid during operation – check that you have enough beans.
  - An out of position ground coffee chamber – check that it is not full. Close the lid, place it in the correct position and adjust the timer setting to avoid overfilling the ground coffee chamber before resuming operation.

**NOTE:** Avoid overfilling the ground coffee chamber. This can cause the unit motor to overheat and break a thermal fuse inside the mill, possibly damaging the unit permanently.

**NOTE:** If all Bean Hopper and Grinding Chamber parts are not tightly in place correctly, the safety switches within the machine will not allow the grinder to work. You **MUST** have all parts in place to safely use the Burr Mill.

## HELPFUL GRINDING HINTS FOR BEST RESULTS

You may customize the above bean quantity recommendations as you familiarize yourself with your new MR. COFFEE® Burr Mill, but always bear in mind the following:

1. Using finer grounds than required for brewing coffee in an automatic drip coffee maker might cause an overflow of the paper filter and/or the brew basket. Also, the taste of the coffee might be stronger than desired. If this happens, use less coffee grounds or change the grind setting to medium or to whichever setting is necessary to obtain the desired result.
2. Using coarser grounds than required for brewing coffee in an automatic drip coffee maker might cause an overflow of the paper filter and/or the brew basket. Also, the taste of the coffee might be weaker than desired. If this happens, use more coffee grounds to obtain the desired result. For a regular or stronger cup of coffee, adjust the grind setting to a medium to fine setting.
3. When a finer setting is required to brew espresso or cappuccino, please grind the amount of coffee grounds recommended by your product manufacturer.

- For MR. COFFEE® Espresso products:

- Set the Burr Mill to Fine grind.
- For 2 oz. of espresso coffee, 2 tsp (0.6 tbsp) of fine grind are required. Set the Timer to 3 cups, this will keep the unit ON enough time to grind the finer grounds required.
- For 4 oz. of espresso coffee, 4 tsp (1.3 tbsp) of fine grind are required. Set the Timer to 5 cups, this will keep the unit ON enough time to grind the finer grounds required.

- Using improper medium or coarse coffee grinding settings might affect the taste of the brewed espresso coffee, because the optimum coffee extraction is not achieved. If you like a strong cup of espresso, make sure the grind setting is fine.

4. When a coarser setting is required to brew coffee manually, in a percolator or using a French Press, grind the amount of coffee grounds recommended by your product manufacturer.

- MR. COFFEE® recommendation:

- Set the Burr Mill to a coarse grind setting.
- Set the timer to 8-10 cups, this will keep the unit ON enough time to grind enough coffee for 12 cups of brewed coffee.
- Given that coarse grounds will take up more volume, always set the timer for 2-4 cups less than the amount desired.

**NOTE:** Remember, you can customize the recommendations above as you discover which setting best meets your personal coffee-making preference. As in the case of automatic drip coffee makers,

- Using an excessive amount of coffee grounds for brewing coffee in a percolator might cause an overflow of the percolator brew basket.
- Using finer grounds than required for brewing coffee manually in a percolator, or using a French Press, might cause an overflow of the percolator brew basket and/or the taste of the coffee might be stronger than desired. If you want a regular or weaker cup of coffee, adjust the grind setting to a medium to coarse setting.

5. Use only coffee beans in this appliance.

6. The ground coffee chamber and its lid must always be in place when using this appliance.

7. Do not use the finest setting when grinding coffee for your automatic drip coffeemaker. The finer grounds could cause the coffee basket to overflow.

8. To avoid overheating the motor, do not grind more than 2 full whole bean hoppers or 2 full 12-cup cycles without a break. Allow the motor to cool to room temperature at least 2 minutes between cycles.

9. If the grinder stops working after running consecutive cycles, unplug the grinder from the wall outlet and allow it to cool for at least an hour. Then plug grinder back in and use as needed.

10. Flavored coffee beans will gum up the burrs and leave an oily residue when stored in the whole bean hopper for long periods of time.




11. Clean after every third use for best performance.
12. After using, open the grinder to the coarsest setting and run empty to clear the grinding path.

**NOTE:** For optimum freshness of your coffee beans, do NOT store in the bean hopper for extended periods of time.

## CLEANING INSTRUCTIONS

Remember to always clean your Burr Mill before using it for the first time. Then, to ensure optimal mill function and durability, clean it regularly following these simple steps:

1. Always unplug your Burr Mill after use and before cleaning.
  2. Wash the bean hopper and coffee chamber parts with warm soapy water. (Never use abrasive cleansers, steel wool pads or other abrasive materials. UNIT IS NOT DISHWASHER SAFE)
-  **CAUTION!** Never immerse the Burr Mill itself in water, in any other liquid or place in the dishwasher.
3. Dry all pieces thoroughly.
  4. Install the Bean Hopper onto the unit and turn clockwise (several rotations-will hear clicking as unit gets tighter) until it stops with the grind size indicator on Fine.
  5. Place chamber lid back on grinder chamber and then install into unit, tightly locking into place.

**NOTE:** If all Bean Hopper and Grinding Chamber parts are not tightly in place correctly, the safety switches within the machine will not allow the grinder to work. You MUST have all parts in place to safely use the Burr Mill.

## TROUBLESHOOTING YOUR MR. COFFEE® BURR MILL

Your MR. COFFEE® Burr Mill has been carefully designed to give you many years of trouble-free service. In the unlikely event that your new Burr Mill does not operate satisfactorily, please review the following potential problems and try the steps recommended BEFORE you call an Authorized Sunbeam Service Center.

PROBLEM	POSSIBLE CAUSE	SOLUTION
THE UNIT DOES NOT GRIND	<ul style="list-style-type: none"> <li>• Hopper is not securely intact</li> <li>• Hopper lid is not on tight</li> <li>• Ground coffee chamber is not in position</li> <li>• Start button has not been pressed</li> <li>• Unit is unplugged</li> <li>• There's a power outage</li> <li>• Motor has overheated, thermal fuse is open</li> <li>• Hopper Chute Clogged (or Blocked)</li> </ul>	<ul style="list-style-type: none"> <li>• TURN HOPPER CLOCKWISE UNTIL STOPS, THEN MOVE INDICATOR COUNTERCLOCKWISE, BACK TILL YOU HAVE INDICATOR LINED UP WITH DESIRED GRIND SETTING</li> <li>• SECURE HOPPER LID</li> <li>• PLACE CHAMBER IN PROPER POSITION</li> <li>• PRESS AND HOLD BRIEFLY START/STOP BUTTON</li> <li>• PLUG UNIT IN</li> <li>• WAIT FOR POWER TO BE RESTORED</li> <li>• UNPLUG UNIT FOR AT LEAST AN HOUR THEN PLUG BACK IN AND USE AS NEEDED</li> <li>• REMOVE HOPPER &amp; EMPTY TO CLEAR BLOCKAGE</li> </ul>

## Troubleshooting cont.

THE COFFEE GROUNDS PRODUCED ARE INSUFFICIENT	<ul style="list-style-type: none"> <li>• Grinder setting is incorrect</li> <li>• Insufficient amount of whole beans in hopper</li> <li>• Ground coffee chamber moved out of position during operation</li> <li>• Top Burr Mill is not in proper position</li> <li>• Unit and Burr Mill are not clean</li> <li>• There is a foreign object between the two Burr Mills</li> </ul>	<ul style="list-style-type: none"> <li>• SET GRINDER SETTING CORRECTLY</li> <li>• ADD BEANS TO HOPPER</li> <li>• PLACE CHAMBER IN PROPER POSITION</li> <li>• UNPLUG UNIT, PLACE TOP BURR MILL IN PROPER POSITION</li> <li>• CLEAN UNIT, UNPLUG IT AND CLEAN BURR MILL</li> <li>• UNPLUG UNIT AND CAREFULLY DISLodge FOREIGN OBJECT</li> </ul>
THE SIZE OF GROUND COFFEE PARTICLES IS NOT CONSISTENT	<ul style="list-style-type: none"> <li>• Unit and Burr Mill are not clean</li> <li>• There's a foreign object between the two Burr Mills</li> <li>• Grind setting is not correct</li> </ul>	<ul style="list-style-type: none"> <li>• CLEAN UNIT, UNPLUG IT AND CLEAN BURR MILL</li> <li>• UNPLUG UNIT AND CAREFULLY DISLodge FOREIGN OBJECT</li> <li>• TURN HOPPER TO CORRECT GRIND SETTING</li> </ul>
THE UNIT STOPS GRINDING	<ul style="list-style-type: none"> <li>• Grind setting is incorrect</li> <li>• Ground coffee chamber is not in correct position</li> <li>• Start/Stop button has been pressed</li> <li>• The unit has been unplugged</li> <li>• There's a power outage</li> <li>• Ground coffee chamber is full and is clogging the Burr Mill compartment</li> <li>• Motor has overheated, thermal fuse is open</li> </ul>	<ul style="list-style-type: none"> <li>• SET GRIND SETTING CORRECTLY</li> <li>• PLACE CHAMBER IN PROPER POSITION</li> <li>• PRESS AND HOLD BRIEFLY START/STOP BUTTON AGAIN</li> <li>• PLUG UNIT IN</li> <li>• WAIT FOR POWER TO BE RESTORED</li> <li>• REMOVE CHAMBER, EMPTY AND REPLACE; UNPLUG UNIT AND CLEAN BURR MILL COMPARTMENT IF NEEDED</li> <li>• UNPLUG UNIT FOR AT LEAST AN HOUR THEN PLUG BACK IN AND USE AS NEEDED</li> </ul>
THE CUP SELECTION DIAL DOES NOT TURN	<ul style="list-style-type: none"> <li>• Timer is at 2 cup setting, cannot turn counterclockwise anymore</li> <li>• Timer is at 18 cup setting, cannot turn clockwise anymore</li> <li>• Cup selection dial is broken</li> </ul>	<ul style="list-style-type: none"> <li>• TURN CLOCKWISE TO SET DESIRED NUMBER OF CUPS</li> <li>• TURN COUNTER CLOCKWISE TO SET DESIRED NUMBER OF CUPS</li> <li>• CALL MR. COFFEE® CONSUMER SERVICE DEPARTMENT NUMBER BELOW</li> </ul>
THE GRIND SETTING HOPPER DOES NOT TURN	<ul style="list-style-type: none"> <li>• Hopper is at the Fine Setting, cannot turn clockwise anymore</li> <li>• Unit and Burr Mill are not clean</li> <li>• There's a foreign object between the two Burr Mills</li> </ul>	<ul style="list-style-type: none"> <li>• TURN COUNTERCLOCKWISE FOR DESIRED GRIND SETTING</li> <li>• CLEAN UNIT, UNPLUG IT AND CLEAN Burr Mill</li> <li>• UNPLUG UNIT AND CAREFULLY DISLodge FOREIGN OBJECT</li> </ul>

Do you still have questions? You can call us toll-free at the MR. COFFEE® Consumer Service Department 1-800-MR. COFFEE® (1-800-672-6333) or you can visit us at [www.mrcoffee.com](http://www.mrcoffee.com)

# SERVICE AND MAINTENANCE

## REPLACEMENT PARTS

The following replacement parts (as well as the complete unit) are available by visiting us online at [www.mrcoffee.com](http://www.mrcoffee.com), or call 1-800-MR-COFFEE (1-800-672-6333) in the U.S. or 1-800-667-8623 in Canada:

- Bean Hopper w/Lid (both available separately)
- Grinding Chamber w/Lid
- Scoop/Brush

## REPAIRS

If your Burr Mill requires service, do not return it to the store where you purchased it. All repairs and replacements must be made by Sunbeam or an authorized Sunbeam Service Center. If you live in the U.S. or Canada, please call us at the following toll-free telephone numbers to find the location of the nearest authorized service center:

**U.S. 1-800-MR. COFFEE® (1-800-672-6333)**  
**Canada 1-800-667-8623**

You may also visit our website at [www.mrcoffee.com](http://www.mrcoffee.com) for a list of service centers.

To assist us in serving you, please have the coffeemaker model number and date of purchase available when you call. The model number is stamped on the bottom metal plate of the Burr Mill.

We welcome your questions, comments or suggestions. In all your communications, please include your complete name, address and telephone number and a description of the problem.

Visit our website at [www.mrcoffee.com](http://www.mrcoffee.com) and discover the secret to brewing the perfect cup of coffee. You will also find a rich blend of gourmet recipes, entertaining tips and the latest information on MR. COFFEE® products.

# WARRANTY INFORMATION

## 1-YEAR LIMITED WARRANTY

Sunbeam Products, Inc. doing business as Jarden Consumer Solutions or if in Canada, Sunbeam Corporation (Canada) Limited doing business as Jarden Consumer Solutions (collectively "JCS") warrants that for a period of one year from the date of purchase, this product will be free from defects in material and workmanship. JCS, at its option, will repair or replace this product or any component of the product found to be defective during the warranty period. Replacement will be made with a new or remanufactured product or component. If the product is no longer available, replacement may be made with a similar product of equal or greater value. This is your exclusive warranty. Do NOT attempt to repair or adjust any electrical or mechanical functions on this product. Doing so will void this warranty.

This warranty is valid for the original retail purchaser from the date of initial retail purchase and is not transferable. Keep the original sales receipt. Proof of purchase is required to obtain warranty performance. JCS dealers, service centers, or retail stores selling JCS products do not have the right to alter, modify or any way change the terms and conditions of this warranty.

This warranty does not cover normal wear of parts or damage resulting from any of the following: negligent use or misuse of the product, use on improper voltage or current, use contrary to the operating instructions, disassembly, repair or alteration by anyone other than JCS or an authorized JCS service center. Further, the warranty does not cover: Acts of God, such as fire, flood, hurricanes and tornadoes.

### What are the limits on JCS's Liability?

JCS shall not be liable for any incidental or consequential damages caused by the breach of any express, implied or statutory warranty or condition.

Except to the extent prohibited by applicable law, any implied warranty or condition of merchantability or fitness for a particular purpose is limited in duration to the duration of the above warranty.

JCS disclaims all other warranties, conditions or representations, express, implied, statutory or otherwise.

JCS shall not be liable for any damages of any kind resulting from the purchase, use or misuse of, or inability to use the product including incidental, special, consequential or similar damages or loss of profits, or for any breach of contract, fundamental or otherwise, or for any claim brought against purchaser by any other party.

Some provinces, states or jurisdictions do not allow the exclusion or limitation of incidental or consequential damages or limitations on how long an implied warranty lasts, so the above limitations or exclusion may not apply to you.

This warranty gives you specific legal rights, and you may also have other rights that vary from province to province, state to state or jurisdiction to jurisdiction.

### How to Obtain Warranty Service

#### In the U.S.A.

If you have any question regarding this warranty or would like to obtain warranty service, please call 1-800-672-6333 and a convenient service center address will be provided to you.

#### In Canada

If you have any question regarding this warranty or would like to obtain warranty service, please call 1-800-667-8623 and a convenient service center address will be provided to you.

In the U.S.A., this warranty is offered by Sunbeam Products, Inc. doing business as Jarden Consumer Solutions located in Boca Raton, Florida 33431. In Canada, this warranty is offered by Sunbeam Corporation (Canada) Limited doing business as Jarden Consumer Solutions, located at 20 B Hereford Street, Brampton, Ontario L6Y 0M1. If you have any other problem or claim in connection with this product, please write our Consumer Service Department.

**PLEASE DO NOT RETURN THIS PRODUCT TO ANY OF THESE ADDRESSES OR TO THE PLACE OF PURCHASE.**

# ADVERTENCIAS DE SEGURIDAD

Para disminuir el riesgo de un fuego, corrientazo eléctrico y/o lesión a las personas, siempre deben obedecerse las precauciones fundamentales de seguridad al utilizarse artefactos eléctricos, incluyendo las siguientes:

1. **LEA TODAS LAS INSTRUCCIONES ANTES DE UTILIZAR LA UNIDAD.**
2. Para protegerse de un corrientazo eléctrico, no sumerja el cordel, el enchufe o la unidad en agua ni en cualquier otro líquido.
  1. Se requiere una supervisión adulta atenta cuando esta unidad es utilizada por, o cerca de, niños.
1. Oprima el botón de INICIO/PARE (STOP/START) y desenchufe la unidad del tomacorriente cuando no se esté utilizando y antes de limpiarla. Permita que la unidad se enfríe antes de instalar o remover partes y antes de limpiar la unidad.
1. Evite hacer contacto con las partes en movimiento.
1. No opere artefacto eléctrico alguno con un cordel o enchufe averiado o luego de que la unidad se averíe o haya sido dañada de manera alguna. Devuelva esta unidad solamente al Centro de Servicio Autorizado más cercano para su examen, reparación o ajuste.
1. El uso de aditamentos accesorios que no están recomendados para los productos MR. COFFEE® pueden causar riesgos de daños o lesiones.
  1. No utilice la unidad a la intemperie.
  1. No permita que el cordel de la unidad cuelgue del borde de una mesa o mostrador, ni que haga contacto con superficies calientes.
  1. Examine el tanque alimentador o tolva para asegurarse de que no contiene objetos extraños antes de utilizar la unidad.
  1. No coloque esta unidad encima o cerca de un quemador caliente eléctrico o de gas, ni en un horno caliente.
  1. Para desconectar la unidad, oprima el botón de INICIO/PARE (STOP/START), luego remueva el enchufe del tomacorriente.
  1. No utilice la unidad para cualquier fin que no sea el uso doméstico para el cual fue fabricada.



**¡ADVERTENCIA!** Para disminuir el riesgo de un incendio o de descarga eléctrica, no quite las cubiertas para dar servicio a la unidad. No hay piezas a las que el usuario pueda dar servicio en el interior de la cafetera. Sólo el personal autorizado debe reparar la cafetera.

Por favor lea cuidadosamente TODAS las instrucciones en este manual antes de que comience a utilizar esta unidad. El cuidado y mantenimiento apropiados asegurarán una larga vida y una operación sin problemas para esta unidad. Por favor conserve estas instrucciones y refiérase a ellas para consejos sobre la limpieza y el cuidado.

## CONSERVE ESTAS INSTRUCCIONES

### INTRODUCCIÓN

Gracias por elegir el Molinillo de Piñones Serie BMH Mr. Coffee. Sólo el Molinillo de Piñones MR. COFFEE® ofrece el mejor sabor al mejor precio!

### INSTRUCCIONES ESPECIALES SOBRE EL CORDEL ELÉCTRICO

1. Se provee un cordel eléctrico corto para disminuir los riesgos de que una persona o mascota se pudieran enredar o tropezar con un cordel más largo.
2. Se puede adquirir y utilizar una extensión eléctrica si se usa con precaución.
3. Si se utiliza una extensión eléctrica, la calificación eléctrica rotulada de la extensión debe ser de al menos 10 amperios y 120 voltios. El cordel extendido resultante debe acomodarse para que no cuelgue del borde de un mostrador o mesa donde pueda ser tirado por niños o donde se pueda tropezar con él accidentalmente.
4. Esta unidad cuenta con un enchufe polarizado (uno de sus contactos es más ancho que el otro). Para disminuir el riesgo de un corrientazo eléctrico, este enchufe sólo podrá penetrar en un tomacorriente polarizado. Si el enchufe no penetra completamente en el tomacorriente, inviértalo. Si aún no se puede enchufar, comuníquese con un electricista autorizado. No modifique el enchufe de manera alguna.
5. Usted puede ajustar el largo del cordel eléctrico de manera que sea de la longitud precisa que usted desee. Para aumentar el largo del cordel eléctrico: agarre el cordel eléctrico (no el enchufe) y hágalo hacia arriba de su hendidura con delicadeza, retirándolo de la cafetera. Para disminuir el largo del cordel eléctrico: agarre el cordel eléctrico (no el enchufe) y hágalo hacia arriba de su hendidura, insertándolo con delicadeza en la cafetera. Fije el cordel en la hendidura cuando termine.

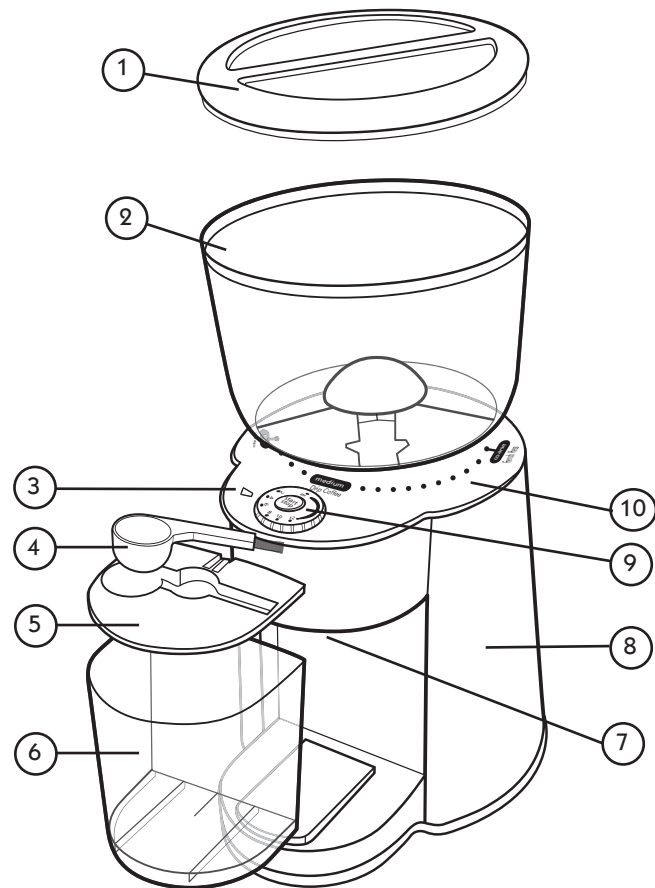


## Tabla de Contenido

Precauciones importantes .....	2
Instrucciones especiales para el cordón .....	2
Introducción .....	3
Tabla de contenido .....	4
Diagrama de partes .....	5
Atributos y Beneficios .....	6
Para comenzar .....	6
Cómo usar su Molinillo de Piñones. ....	7
Cartilla de Medidas del café. ....	8
Consejos útiles para moler. ....	8-9
Limpiando su Molinillo de Piñones. ....	10
Solución de problemas de su Molinillo de Piñones MR. COFFEE®. ....	10-11
Servicio y Mantenimiento .....	12
Información de Garantía .....	13



## DIAGRAMA DE LAS PARTES



- |  |  |
|--|--|
| 1 Tapa de la tolva para granos                 | 6 Cámara de molido                           |
| 2 Tolva para granos                            | 7 Conducto de la Cámara de molido            |
| 3 Luz indicadora de Encendido/Apagado (On/Off) | 8 Cubierta del motor del molinillo           |
| 4 Cuchara/Brocha de limpieza incorporados      | 9 Perilla de Inicio/Pare y selección de taza |
| 5 Tapa de la Cámara de molido                  | 10 Selección de molido                       |

## ATRIBUTOS Y BENEFICIOS DE SU MOLINILLO DE PIÑONES

Su nuevo Molinillo de Piñones Mr. Coffee tiene los siguientes atributos:

- **Tolva para grano entero** - Tolva para granos removible y fácil de limpiar con una capacidad de hasta ½ libra de granos de café a la vez.
- **18 posiciones de granos al gusto** - Elija 18 posiciones diferentes de tamaños de granos, de fino (grado expreso) a grueso (grado Prensa Francesa) para su método de preparado al gusto.
- **Botón de Inicio/Pare y Perilla de selección de taza** - Obtenga cantidades perfectas cada vez con posiciones automáticas de molido para 2 a 18 tazas.
- **Apagado automático** - Evite tener que adivinar, se detiene automáticamente en la cantidad deseada.
- **Cámara de café molido desmontable** - le permite transferir con facilidad el café molido.
- **Diseño de Acero Inoxidable** - un accesorio estilizado para su cocina.
- **Luz indicadora de Encendido/Apagado (On/Off)** - Una Luz LED se ilumina para hacerle saber que el Molinillo de Piñones está listo para su uso.
- **Almacenaje del cordón** - Almacena de forma segura el cordón para dejar ordenado su tablero de cocina.
- **Cuchara/Brocha incorporados** - Le permite una limpieza fácil.

## PARA COMENZAR

Siempre limpie su Molinillo de Piñones antes de usar por primera vez.

Asegúrese de que la primera taza de café sea tan buena como sea posible limpiando su Molinillo de Piñones MR. COFFEE® antes del primer uso. Simplemente siga los siguientes pasos:

1. Lave las partes de la Tolva para granos y de la Cámara de café con agua tibia jabonosa. (Nunca use limpiadores abrasivos, esponjas de metal o cualquier tipo de material abrasivo. ESTA UNIDAD NO SE PUEDE LAVAR EN EL LAVAPLATOS)

**PRECAUCIÓN:** Nunca sumerja el Molinillo de Piñones en agua o cualquier otro líquido ni coloque en el lavaplatos.

2. Seque todas las partes minuciosamente
3. Instale la Tolva para granos en la unidad y gírela en dirección de las manecillas del reloj ( se oirán varios chasquidos al rotar a medida que la unidad queda más ajustada) hasta que pare con el indicador del tamaño de grano en Fino (Figura 1)
4. Coloque la tapa de la cámara sobre la cámara de molido y luego instálela en la unidad, asegurándola y ajustándola en su lugar.

**NOTA:** Si las partes de la Tolva para granos y de la Cámara de molido no están correctamente ajustadas en su lugar, los mecanismos de seguridad de la máquina no le permitirán que el Molinillo funcione. Usted DEBE tener todas las partes en su lugar para usar el Molinillo de Piñones de manera segura.

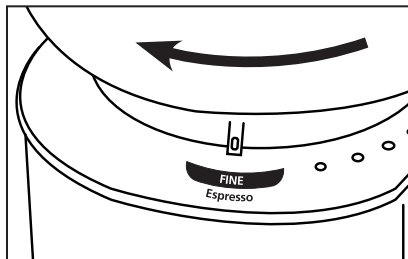


Figura 1

## CÓMO USAR SU MOLINILLO DE PIÑONES

1. Una vez que todas las partes han sido colocadas en su lugar, llene la Tolva para granos con granos de café y coloque la tapa.
2. Ajuste el tamaño de grano rotando la tolva en dirección contraria a las manecillas del reloj y alineando el indicador en la tolva con el tamaño de grano deseado (Figura 2)

**NOTA:** La selección del tamaño de grano cambiará el resultado del volumen granos molidos. Un tamaño fino producirá menos granos molidos y el grueso producirá más granos molidos cuando se use la misma posición de tamaño de taza.

3. Fije la perilla de selección de Taza a la cantidad deseada de granos molidos (Figura 3).
4. Presione y sostenga por un momento el botón de Inicio/Pare para iniciar el proceso de molido

5. La unidad se detendrá automáticamente cuando el volumen seleccionado se haya alcanzado

**NOTA:** También puede detener el proceso de molido en cualquier momento presionando el botón de Inicio/Pare nuevamente

6. Remueva la cámara de café y la tapa y use los granos molidos a su gusto.
7. La brocha para limpieza puede usarse para remover el polvo del conducto de la cámara de molido ubicado en la parte de atrás de la cámara de molido desmontable (Figura 4).

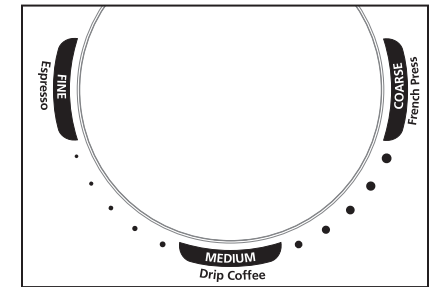


Figura 2

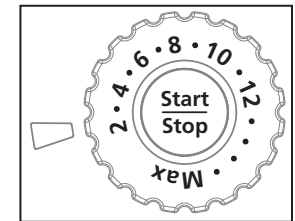


Figura 3

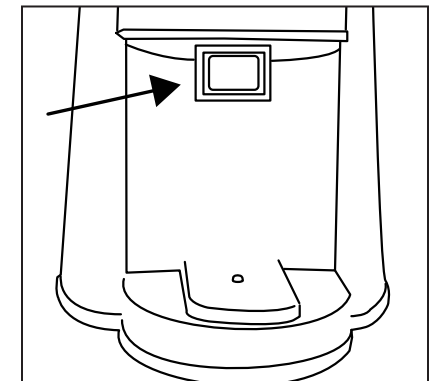


Figura 4

## CARTILLA DE MEDIDAS DEL CAFÉ

Para café molido mediano

Tazas de café (3 onzas c/u)	Cantidad aproximada de granos (Cucharadas)
12 tazas	12 cucharadas
10 tazas	10 cucharadas
8 tazas	8 cucharadas
6 tazas	6 cucharadas
4 tazas	4 cucharadas
2 tazas	2 cucharadas

1. La cantidad de granos enteros de café requerida es aproximadamente la misma que la cantidad especificada de cucharas de granos de café molido mediano.
2. La unidad funcionará por aproximadamente un minuto si usted selecciona la posición de 12 tazas.
3. La unidad puede pararse durante el molido por:
  - El usuario- Usted puede presionar el botón de Inicio/Pare en cualquier momento para detener la operación de molido.
  - Abrir la tapa de la tolva durante la operación: revise que tiene suficientes granos
  - La cámara de molido de café está fuera de posición- Revise que no esté llena. Cierre la tapa, colóquela en la posición correcta y ajuste la posición del reloj para evitar llenar en exceso la cámara de molido de café antes de reanudar la operación.

**NOTA:** Evite llenar en exceso la cámara de molido de café. Esto puede causar que el motor de la unidad se sobrecaliente y se quemé un fusible térmico dentro del molinillo, dañando posiblemente la unidad de forma permanente.

**NOTA:** Si todas las partes de la tolva para granos y la cámara de molido no están correctamente ajustadas en su lugar, los mecanismos de seguridad de la máquina no le permitirán que el Molinillo funcione. Usted DEBE tener todas las partes en su lugar para usar el Molinillo de Piñones de manera segura.

## CONSEJOS ÚTILES PARA MOLER CON MEJORES RESULTADOS

Usted puede elegir al gusto las cantidades recomendadas arriba a medida que se familiariza con su nuevo Molinillo de Piñones Mr. Coffee, pero siempre tenga presente lo siguiente:

1. El usar granos molidos más finos que lo que se requiere para preparar café en una cafetera de goteo automático puede causar un rebalse en el filtro de papel o en la canasta de filtrado. Adicionalmente, el sabor del café puede resultar más fuerte que lo deseado. Si esto sucede, use menos granos molidos de café o cambie la posición de los granos a mediano o a la posición que sea necesaria para obtener el resultado deseado.
2. El usar un molido más grueso que lo que se requiere para preparar café en una cafetera de goteo automático puede causar un rebalse en el filtro de papel o en la canasta de filtrado. Adicionalmente, el sabor del café puede resultar más suave que lo deseado. Si esto sucede, use más granos de café molido para obtener el resultado deseado. Para una taza de café regular o más fuerte, ajuste la posición de los granos de mediano a fino.

3. Cuando se requiere un molido más fino de granos para preparar expreso o capuccino, por favor muele la cantidad de granos de café recomendada por el fabricante del producto.

• Para productos Expreso MR. COFFEE®:

- Fije el Molinillo de Piñones a un molido fino.
- Para 2 onzas de café expreso, se requieren 2 cucharaditas (0.6 cucharadas) de molido fino. Fije el reloj a 3 tazas, esto mantendrá la unidad prendida por suficiente tiempo para moler los granos más finos tal como se requiere.
- Para 4 onzas de café expreso, se requieren 4 cucharaditas (1.3 cucharadas) de molido fino. Fije el reloj a 5 tazas, esto mantendrá la unidad prendida por suficiente tiempo para moler los granos más finos tal como se requiere

• El usar una posición de molido de café inadecuado ya sea medio o grueso puede afectar el sabor del café expreso preparado, puesto que la extracción óptima de café no ha sido alcanzada. Si le gusta una taza de café expreso más fuerte, asegúrese de que la posición del molido de granos sea fina.

4. Cuando se requiera una posición de molido más grueso para preparar café manualmente en una cafetera de filtro o en una prensa francesa, muele la cantidad de granos de café recomendados por el fabricante del producto.

• Recomendación de MR. COFFEE®:

- Fije el Molinillo de Piñones a una posición de molido gruesa.
- Fije el reloj a 8 a 10 tazas, esto mantendrá la unidad prendida por suficiente tiempo para moler suficiente café para 12 tazas de café preparado.
- Dado que los granos molidos gruesos ocupan mayor volumen, siempre fije el reloj de 2 a 4 tazas menos que la cantidad deseada.

**NOTA:** Recuerde que puede usar las recomendación de arriba a su gusto a medida que descubre cual posición se acerca más a su preferencia personal de preparación de café. Como en el caso de cafeteras automáticas de goteo,

- El usar una cantidad excesiva de granos de café molido para prepara café en una cafetera de filtro puede causar un rebalse de la canasta de filtrado.
- El usar granos molidos más finos que lo que se requiere para preparar café manualmente en una cafetera de filtro o una prensa francesa puede causar un rebalse de la canasta de filtrado y/o el sabor del café puede ser más fuerte que lo deseado. Si usted quiere una taza de café regular o de sabor suave, ajuste la posición del molido de mediano a grueso.

5. Use solamente granos de café en este aparato.

6. La cámara de molido de café y su tapa deben siempre estar en su lugar cuando use este aparato.

7. No use la posición de molido más fina cuando muele café para su cafetera automática de goteo. Los granos molidos finos pueden causar que la canasta de café se rebalse.

8. Para evitar sobrecalentar el motor, no muele mas de 2 tolvallas llenas de granos enteros o 2 ciclos completos de 12 tazas sin parar. Permita que el motor se enfríe a temperatura ambiente por lo menos por 2 minutos entre ciclos.

9. Si el molinillo deja de funcionar después de haberse usado por ciclos consecutivos, desenchufe el molinillo del tomacorriente de pared y permita que se enfríe por lo menos por una hora. Luego enchufe el molinillo de vuelta y use de acuerdo a su necesidad.

10. Granos de café con sabores engomarán los piñones y dejarán un residuo aceitoso cuando se guarden en la tolva para granos por un periodo de tiempo largo.

11. Limpie después de cada tercer uso para un mejor rendimiento.
12. Luego de usar, abra el molinillo a la posición mas gruesa y déjelo correr en vacío para limpiar el paso del molido.

**NOTA:** Para una frescura óptima de sus granos de café, no los guarde en la tolva para granos por largos periodos de tiempo.

## INSTRUCCIONES DE LIMPIEZA

**Acuerdese de limpiar siempre su Molinillo de Piñones antes de usar por primera vez. Para asegurar el funcionamiento óptimo y la durabilidad de su molinillo, límpielo regularmente siguiendo estos simples pasos:**

1. Siempre desenchufe su Molinillo de Piñones después de usar y antes de limpiar.
2. Lave las partes de la tolva para granos y la cámara de café con agua tibia jabonosa. (Nunca use limpiadores abrasivos, esponjas de metal o cualquier tipo de material abrasivo. ESTA UNIDAD NO SE PUEDE LAVAR EN EL LAVAPLATOS)
3. Seque todas las partes minuciosamente
4. Instale la Tolva para granos en la unidad y gírelos en dirección de las manecillas del reloj ( se oírán varios chasquidos al rotar a medida que la unidad queda más ajustada) hasta que pare con el indicador del tamaño de grano en Fino.
5. Coloque la tapa de la cámara sobre la cámara de molido y luego instálela en la unidad, asegurándola y ajustándola en su lugar.

**NOTA:** Si las partes de la Tolva para granos y de la Cámara de molido no están correctamente ajustadas en su lugar, los mecanismos de seguridad de la máquina no le permitirán que el Molinillo funcione. Usted DEBE tener todas las partes en su lugar para usar el Molinillo de Piñones de manera segura.

## SOLUCIÓN DE PROBLEMAS DE SU MOLINILLO DE PIÑONES MR. COFFEE®

Su Molinillo de Piñones MR. COFFEE® ha sido diseñado cuidadosamente para brindarle muchos años de servicio sin problemas. En el caso poco probable de que su nuevo Molinillo de Piñones no opere satisfactoriamente, por favor revise los problemas posibles y trate estos pasos recomendados ANTES de llamar al Centro de Servicio Autorizado MR. COFFEE®.

PROBLEMA	CAUSA POSIBLE	SOLUCIÓN
LA UNIDAD NO MUELE	<ul style="list-style-type: none"> <li>• La tolva no está asegurada en su lugar</li> <li>• La tapa de la tolva no está ajustada</li> <li>• La cámara de molido de café no está en posición</li> <li>• El botón de Inicio no ha sido presionado</li> <li>• La unidad está desenchufada</li> <li>• Hay un corte de electricidad</li> <li>• El motor ha sobrecalentado, el fusible térmico esta abierto</li> <li>• El conducto de la tolva está atorado (o bloqueado)</li> </ul>	<ul style="list-style-type: none"> <li>• GIRE LA TOLVA EN DIRECCIÓN DE LAS MANECILLAS DEL RELOJ HASTA QUE PAREN LUEGO MUEVA EL INDICADOR EN DIRECCIÓN CONTRARIA A LAS MANECILLAS DEL RELOJ, HASTA QUE TENGA EL INDICADOR ALINEADO CON LA POSICIÓN DE MOLIDO DESEADA.</li> <li>• ASEGURE LA TAPA DE LA TOLVA</li> <li>• COLOQUE LA CÁMARA EN LA POSICIÓN CORRECTA</li> <li>• PRESIONE Y SOSTENGA MOMENTÁNEAMENTE EL BOTÓN DE INICIO/PARE</li> <li>• ENCHUFE LA UNIDAD</li> <li>• ESPERE A QUE LA ELECTRICIDAD REGRESE</li> <li>• DESENCHUFE LA UNIDAD POR UNOS 30 MINUTOS LUEGO ENCHUFE DE NUEVO Y USE DE ACUERDO A SU NECESIDAD</li> <li>• RETIRE LA TOLVA Y VACÍELA PARA DESPEJAR EL BLOQUEO</li> </ul>

## Continuación de Solución de Problemas

EL CAFÉ MOLIDO PRODUCIDO ES INSUFICIENTE	<ul style="list-style-type: none"> <li>• La posición de molido es incorrecta</li> <li>• Cantidad insuficiente de granos en la tolva</li> <li>• La cámara de molido de café se ha movido fuera de posición durante la operación</li> <li>• El piñón superior del molinillo no está en posición correcta</li> <li>• La unidad y el molinillo de piñones no están limpios</li> <li>• Hay un objeto extraño entre los dos piñones del molinillo</li> </ul>	<ul style="list-style-type: none"> <li>• FIJE EL MOLIDO CORRECTAMENTE</li> <li>• AÑADA GRANOS A LA TOLVA</li> <li>• COLOQUE LA CÁMARA EN POSICIÓN CORRECTA</li> <li>• DESENCHUFE LA UNIDAD, COLOQUE EL PIÑÓN SUPERIOR DEL MOLINILLO EN POSICIÓN CORRECTA</li> <li>• LIMPIE LA UNIDAD, DESENCHUFE Y LIMPIE EL PIÑÓN DEL MOLINILLO</li> <li>• DESENCHUFE LA UNIDAD Y RETIRE EL OBJETO EXTRAÑO CUIDADOSAMENTE</li> </ul>
EL TAMAÑO DE LAS PARTÍCULAS DE CAFÉ MOLIDO NO ES CONSTANTE	<ul style="list-style-type: none"> <li>• La unidad y el molinillo de piñones no están limpios</li> <li>• Hay un objeto extraño entre los dos piñones del molinillo</li> <li>• La posición de molido es incorrecta</li> </ul>	<ul style="list-style-type: none"> <li>• LIMPIE LA UNIDAD, DESENCHUFE Y LIMPIE EL PIÑÓN DEL MOLINILLO</li> <li>• DESENCHUFE LA UNIDAD Y RETIRE EL OBJETO EXTRAÑO CUIDADOSAMENTE</li> <li>• CAMBIE LA TOLVA A LA POSICIÓN DE MOLIDO CORRECTA</li> </ul>
LA UNIDAD DEJA DE MOLER	<ul style="list-style-type: none"> <li>• La posición de molido es incorrecta</li> <li>• La cámara de molido de café no está en la posición correcta</li> <li>• El botón de Inicio/Pare ha sido presionado</li> <li>• La unidad ha sido desenchufada</li> <li>• Hay un corte de electricidad</li> <li>• La cámara de molido de café está llena y está atorando el compartimento del piñón del molinillo</li> <li>• El motor ha sobrecalentado, el fusible térmico está abierto</li> </ul>	<ul style="list-style-type: none"> <li>• FIJE EL MOLIDO CORRECTAMENTE</li> <li>• COLOQUE LA CÁMARA EN POSICIÓN CORRECTA</li> <li>• PRESIONE Y SOSTENGA MOMENTÁNEAMENTE EL BOTÓN DE INICIO/PARE DE NUEVO</li> <li>• ENCHUFE LA UNIDAD</li> <li>• ESPERE A QUE LA ELECTRICIDAD REGRESE</li> <li>• RETIRE LA CÁMARA, VACÍELA Y VUÉLVALA A COLOCAR, DESENCHUFE LA UNIDAD Y LIMPIE EL COMPARTIMENTO DEL PIÑÓN DEL MOLINILLO SI ES NECESARIO</li> <li>• DESENCHUFE LA UNIDAD POR LO MENOS POR UNA HORA LUEGO ENCHUFE DE NUEVO Y USE DE ACUERDO A SU NECESIDAD</li> </ul>
LA PERILLA DE SELECCIÓN DE TAZA NO GIRA	<ul style="list-style-type: none"> <li>• El reloj está en posición de 2 tazas, ya no puede girar más hacia la izquierda</li> <li>• El reloj está en posición de 18 tazas, ya no puede girar más hacia la derecha</li> <li>• La perilla de selección de taza está rota</li> </ul>	<ul style="list-style-type: none"> <li>• GIRE EN DIRECCIÓN DE LAS MANECILLAS DEL RELOJ PARA FIJAR EL NÚMERO DESEADO DE TAZAS</li> <li>• GIRE EN DIRECCIÓN CONTRARIA DE LAS MANECILLAS DEL RELOJ PARA FIJAR EL NÚMERO DESEADO DE TAZAS</li> <li>• LLAME AL NÚMERO DEL DEPARTAMENTO DE SERVICIO AL CONSUMIDOR MR COFFEE AQUÍ ABAJO</li> </ul>
LA SELECCIÓN DE MOLIDO DE LA TOLVA NO GIRA	<ul style="list-style-type: none"> <li>• La tolva está en la posición fina y ya no puede girar más hacia la derecha</li> <li>• La unidad y el molinillo de piñones no están limpios</li> <li>• Hay un objeto extraño entre los dos piñones del molinillo</li> </ul>	<ul style="list-style-type: none"> <li>• GIRE EN DIRECCIÓN CONTRARIA DE LAS MANECILLAS DEL RELOJ PARA LA POSICIÓN DE MOLIDO DESEADO</li> <li>• LIMPIE LA UNIDAD, DESENCHUFE Y LIMPIE EL PIÑÓN DEL MOLINILLO</li> <li>• DESENCHUFE LA UNIDAD Y RETIRE EL OBJETO EXTRAÑO CUIDADOSAMENTE</li> </ul>

Aún tiene preguntas? Puede llamarnos al número sin cargo del Departamento de Servicio al Consumidor MR COFFEE® 1800 MR Coffee (1800 672 6333) o puede visitarnos en [www.mrcoffee.com](http://www.mrcoffee.com).



# SERVICIO Y MANTENIMIENTO

## PARTES REEMPLAZABLES

Las siguientes partes reemplazables ( así como la unidad completa) están disponibles visitándonos en línea en [www.mrcoffee.com](http://www.mrcoffee.com) o llamando al 1800 MR COFFEE (1800 672 6333) en los Estados Unidos o 1 800 667 8623 en Canadá:

- Tolla para granos con tapa (ambos están disponibles por separados)
- Cámara de Molido con tapa
- Cuchara/Brocha

## REPARACIONES

Si su Molinillo de Piñones requiere de servicio, no la devuelva a la tienda donde la compró. Todas las reparaciones y reemplazos deben hacerse por Sunbeam o un Centro de Servicio Autorizado Sunbeam. Si vive en los Estados Unidos o Canadá por favor llámenos a los siguientes números sin cargo para encontrar la ubicación del centro de servicio autorizado más cercano.

**En Estados Unidos 1 800 MR Coffee ( 1800 672 6333)**

**En Canadá 1 800 667 8623**

También puede visitar nuestra página Web en [www.mrcoffee.com](http://www.mrcoffee.com) para una lista de centros de servicio.

Para ayudarnos a servirlo, por favor tenga a la mano el número del modelo y la fecha de compra del Molinillo de Piñones cuando nos llame. El número de modelo está estampado en la placa de metal en la parte inferior de su Molinillo de Piñones.

Todas sus preguntas, comentarios y sugerencias son bienvenidas. En todas sus comunicaciones por favor incluya su nombre completo, dirección y número de teléfono y la descripción del problema.

Visite nuestra página Web en [www.mrcoffee.com](http://www.mrcoffee.com) y descubra el secreto de la preparación de una taza perfecta de café. También encontrará una variedad muy rica de recetas gourmet, consejos de entretenimiento y la última información sobre los productos MR COFFEE®.

# INFORMACIÓN de GARANTÍA

## Garantía Limitada de 1 Año

Sunbeam Products, Inc. operando bajo el nombre de Jarden Consumer Solutions, o en Canadá, Sunbeam Corporation (Canada) Limited operando bajo el nombre de Jarden Consumer Solutions, (en forma conjunta, "JCS"), garantiza que por un período de un año a partir de la fecha de compra, este producto estará libre de defectos de materiales y mano de obra. JCS, a su elección, reparará o reemplazará este producto o cualquier componente del mismo que presente defectos durante el período de garantía. El reemplazo se realizará por un producto o componente nuevo o reparado. Si el producto ya no estuviera disponible, se lo reemplazará por un producto similar de valor igual o superior. Ésta es su garantía exclusiva. No intente reparar o ajustar ninguna función eléctrica o mecánica de este producto. Al hacerlo eliminará ésta garantía.

La garantía es válida para el comprador minorista original a partir de la fecha de compra inicial y la misma no es transferible. Conserve el recibo de compra original. Para solicitar servicio en garantía se requiere presentar un recibo de compra. Los agentes y centros de servicio de JCS o las tiendas minoristas que venden productos de JCS no tienen derecho a alterar, modificar ni cambiar de ningún otro modo los términos y las condiciones de esta garantía.

Esta garantía no cubre el desgaste normal de las piezas ni los daños que se produzcan como resultado de uso negligente o mal uso del producto, uso de voltaje incorrecto o corriente inapropiada, uso contrario a las instrucciones operativas, y desarme, reparación o alteración por parte de un tercero ajeno a JCS o a un Centro de Servicio autorizado por JCS. Asimismo, la garantía no cubre actos fortuitos tales como incendios, inundaciones, huracanes y tornados.

### What are the limits on JCS's Liability?

JCS no será responsable de daños incidentales o emergentes causados por el incumplimiento de alguna garantía o condición expresa, implícita o legal.

Excepto en la medida en que lo prohíba la ley aplicable, cualquier garantía o condición implícita de comerciabilidad o aptitud para un fin determinado se limita, en cuanto a su duración, al plazo de la garantía antes mencionada.

JCS queda exenta de toda otra garantías, condiciones o manifestaciones, expresa, implícita, legal o de cualquier otra naturaleza.

JCS no será responsable de ningún tipo de daño que resulte de la compra, uso o mal uso del producto, o por la imposibilidad de usar el producto, incluidos los daños incidentales, especiales, emergentes o similares, o la pérdida de ganancias, ni de ningún incumplimiento contractual, sea de una obligación esencial o de otra naturaleza, ni de ningún reclamo iniciado contra el comprador por un tercero.

Algunas provincias, estados o jurisdicciones no permiten la exclusión o limitación de los daños incidentales o emergentes ni las limitaciones a la duración de las garantías implícitas, de modo que es posible que la exclusión o las limitaciones antes mencionadas no se apliquen en su caso.

Esta garantía le otorga derechos legales específicos y es posible que usted tenga otros derechos que varían de un estado, provincia o jurisdicción a otro.

### Cómo solicitar el servicio en garantía

#### En los Estados Unidos.

Si tiene alguna pregunta sobre esta garantía o desea recibir servicio de garantía, llame al 1-800-672-6333 y podrá obtener la dirección del centro de servicio que le resulte más conveniente.

#### En Canadá

Si tiene alguna pregunta sobre esta garantía o desea recibir servicio de garantía, llame al 1-800-667-8623 y podrá obtener la dirección del centro de servicio que le resulte más conveniente.

En los Estados Unidos, esta garantía es ofrecida por Sunbeam Products, Inc. operando bajo el nombre de Jarden Consumer Solutions, Boca Ratón, Florida 33431. En Canadá, esta garantía es ofrecida por Sunbeam Corporation (Canada) Limited operando bajo el nombre de Jarden Consumer Solutions, 20 B Hereford Street, Brampton, Ontario L6Y 0M1. Si usted tiene otro problema o reclamo en conexión con este producto, por favor escriba al Departamento de Servicio al Consumidor.

**POR FAVOR NO DEVUELVA ESTE PRODUCTO A NINGUNA DE ESTAS DIRECCIONES NI AL LUGAR DE COMPRA.**





## Free Manuals Download Website

<http://myh66.com>

<http://usermanuals.us>

<http://www.somanuals.com>

<http://www.4manuals.cc>

<http://www.manual-lib.com>

<http://www.404manual.com>

<http://www.luxmanual.com>

<http://aubethermostatmanual.com>

Golf course search by state

<http://golfingnear.com>

Email search by domain

<http://emailbydomain.com>

Auto manuals search

<http://auto.somanuals.com>

TV manuals search

<http://tv.somanuals.com>