

Installer: Leave this manual with the appliance. Consumer: Retain this manual for future reference.

OPERATING INSTRUCTIONS AND OWNER'S MANUAL

MR. HEATER

READ INSTRUCTIONS CAREFULLY: Read and follow all instructions. Place instructions in a safe place for future reference. Do not allow anyone who has not read these instructions to assemble, light, adjust or operate the heater.

HEATSTAR

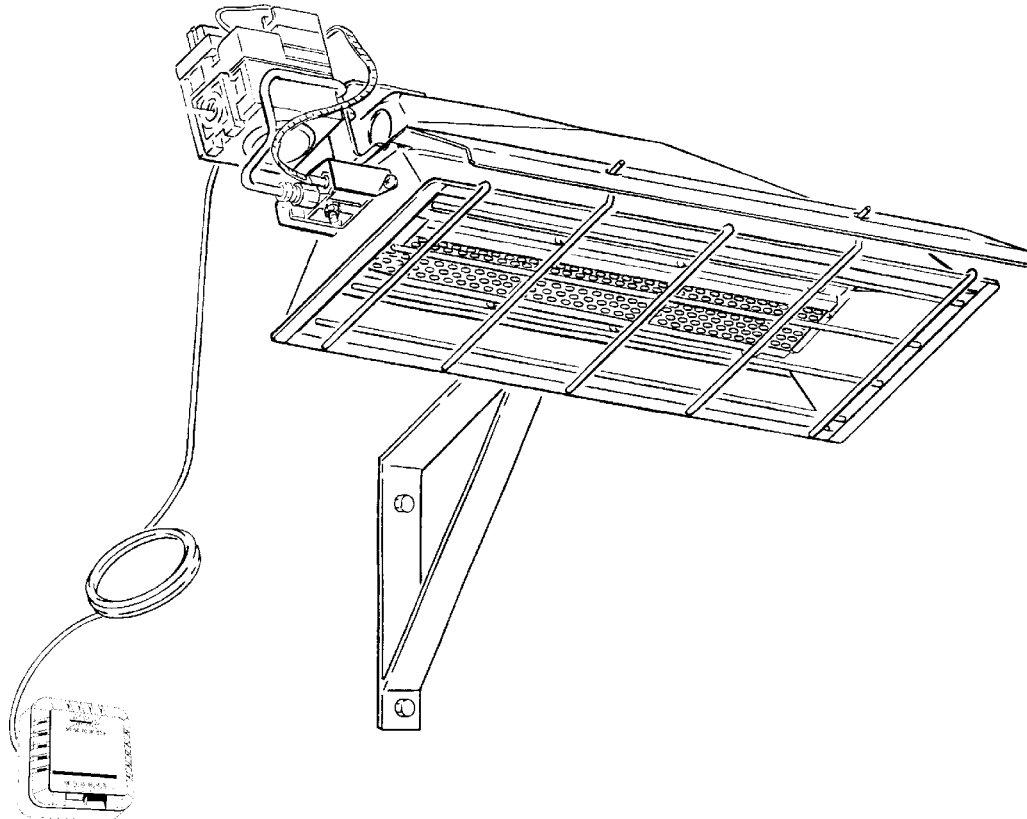
MODEL

MH25NG
MH25LP

MODEL

HS25NG
HS25LP

GAS FIRED INFRA-RED WORKSHOP HEATER



⚠ WARNING: If the information in this manual is not followed exactly, a fire or explosion may result causing property damage, personal injury, or loss of life.

- Do not store or use gasoline or other flammable vapors and liquids in the vicinity of this or any other appliance.
- WHAT TO DO IF YOU SMELL GAS
 - Shut off gas supply
 - Do not try to light any appliance
 - Do not touch an electrical switch; do not use any phone in your building.
 - Immediately call your gas supplier from a neighbor's phone. Follow the gas supplier's instructions.
 - If you cannot reach your gas supplier, call the fire department.
- Installation and service must be performed by a qualified installer, service agency, or the gas supplier.

⚠ WARNING: This is an unvented gas-fired heater. It uses air (oxygen) from the room in which it is installed. Provisions for adequate combustion and ventilation air must be provided. Refer to Fresh Air for Combustion and Ventilation section on page 3 of this manual.

⚠ WARNING: Improper installation, adjustment, alteration, service or maintenance can cause property damage, injury or death. Read the installation, operation, and maintenance instructions thoroughly before installing or servicing this equipment. For assistance or additional information consult a qualified installer, service agency, or gas supplier.

WARNINGS

⚠ WARNING: Improper installation, adjustment, alteration, service or maintenance can cause property damage, injury or death. Read the installation, operation, and maintenance instructions thoroughly before installing or servicing this equipment. For assistance or additional information consult a qualified installer, service agency, or gas supplier.

⚠ WARNING: When used without fresh air, heater may give off CARBON MONOXIDE, an odorless poisonous gas. OPEN WINDOW AN INCH OR TWO FOR FRESH AIR WHEN USING HEATER.

⚠ WARNING: This heater is equipped with a PILOT LIGHT SAFETY SYSTEM. DO NOT TAMPER WITH PILOT LIGHT SAFETY SYSTEM.

⚠ WARNING: If heater shuts off, do not relight until you provide fresh air. If heater keeps shutting off, have it serviced. Keep burner and control clean. Open door for 5 minutes.

Maintain clearances as shown in Figure 2 or on heater nameplate.

- DO NOT USE MATCH OR OTHER FLAME FOR LEAK TESTING.
- DO NOT EXCEED 1/2 PSI INLET PRESSURE TO HEATER.

DANGER: Carbon monoxide poisoning may lead to death.

Carbon Monoxide Poisoning:

Early signs of carbon monoxide poisoning resemble the flu, with headaches, dizziness, or nausea. If you have these signs, the heater may not be working properly. Get fresh air at once! Have heater serviced. Some people are more affected by carbon monoxide than others. These include pregnant women, persons with heart or lung disease or anemia, those under the influence of alcohol, and those at high altitudes.

CAUTION

- Never connect gas valve or thermostat to line voltage or a transformer.
- If the infra-red color of the grid becomes dull when the building furnace is operating, consult gas supplier on correct gas supply piping sizes.
- This heater is for indoor installation only!

NOTE

Gasket binder material used in this heater assembly will temporarily emit an odor and/or vapor. This condition will clear up in approximately 20 minutes and thereafter will not reoccur. Refer to Chapter 2 for ventilation.

TABLE OF CONTENTS

Chapter	Title	Page
I	Introduction	3
II	Heater Installation	5
III	Heater Operating Instructions	10
IV	Operator Maintenance Instructions	12
V	Replacement Parts List	15

CHAPTER I INTRODUCTION

1. EQUIPMENT

This heater is the consumer version of a highly successful, thoroughly tested, gas fired, infrared, industrial utility heater.

This heater does not require an external electrical source for operation.

The major components of the heater and a typical installation are identified in Figure 1. The basic heater

consists of the complete burner assembly, flue deflector, grid, reflector assembly and face guard.

2. PURPOSE OF EQUIPMENT

WARNINGS

- ⚠ This heater is for indoor installation only.
- ⚠ This heater is designed to heat indoor areas. Do not use for inhabited or small, enclosed areas.
- ⚠ This heater is an ideal selection when a simple and easily installed method of heating a utility building is required.

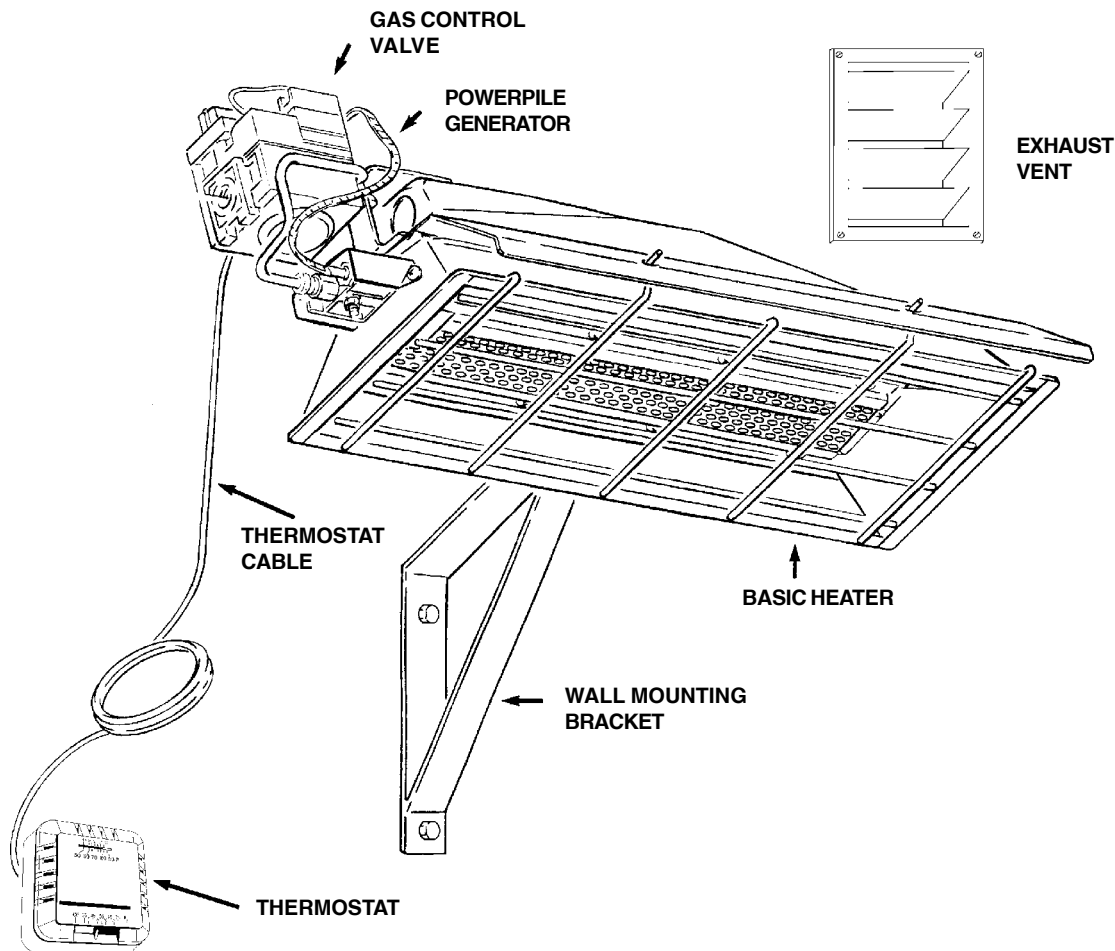


Figure 1. Heater Major Components

3. MODELS COVERED IN THIS MANUAL

Model MH25NG/HS25NG is for use where natural gas is intended fuel source. Model MH25LP/HS25LP is for use where propane gas is the intended fuel source.

4. MANUAL USE

- The procedures and information contained within this manual will allow purchaser of this heater to install and maintain the heater safely and efficiently.
- The cover and the following page provide a safety summary that attempts to gather all the warnings used within the manual in one location.
- A table of contents is provided for easy reference to any portion of the manual.
- Chapter 1 provides general information on the use of this manual and on the heater.

- Chapter 2 provides heater installation requirements and information, such as: a) minimum distances from heater components to combustible materials, b) heater mounting requirements, c) venting requirements, d) fuel supply requirements, e) thermostat mounting.
- Chapter 3 covers startup, operation, and shutdown of the heater.
- Chapter 4 provides operator maintenance instructions such as: troubleshooting, adjustments, powerpile replacement and operator checks.
- Chapter 5 provides warranty and replacement parts information.

Cleveland, OH 44131; or, NFPA, Battery March Park, Quincy, MA 02269.

- Canadian installations must comply with CAN/CGA-B149.1.2 gas code which can be purchased from Canadian Gas Association, 55 Scarsdale Road, Don Mills, Ontario M3B 2R3.
- Contact factory when appliance is to be installed at high altitudes. Factory supply high altitude conversion kit with instructions and data plate.
- A plugged 1/8" N.P.T. Test Gage Connection is provided on the heater gas control.
- **See Tables 1 and 2 for heater specifications:**

5. GENERAL INFORMATION

- Your heater comes fully assembled and is tested at the factory with the appropriate type of gas and at the input pressures stated on the nameplate.
- Upon receipt and prior to attempting installation, be sure to inspect the heater and its packaging for damage and/or missing components. If damage is found or missing components are suspected, contact your dealer. See Chapter 5 for a complete listing of items required for the safe and efficient installation and use of this heater.
- Never attempt to operate the heater using a fuel other than that specifically identified on the nameplate.
- The installation of the heater must conform with all local building codes or, in absence of governing local codes, with the National Fuel Gas Code, ANSI Z223.1 (NFPA 54). This code can be obtained from either the: Canadian Standards Association, 8501 East Pleasant Valley Road,

⚠ WARNING: Improper installation, adjustment, alteration, service or maintenance can cause property damage, injury or death. Read the installation, operation, and maintenance instructions thoroughly before installing or servicing this equipment. For assistance or additional information consult a qualified installer, service agency, or gas supplier.

- For additional information contact:
The factory.
- The following extra NFPA Manuals are helpful when installing this heater in a location not anticipated in this manual:

Number	Related Subject
NFPA 88	Clearances to Combustible Surfaces
NFPA 409	Clearances to Combustible Surfaces

⚠ DO NOT EXCEED 1/2 PSI INLET PRESSURE TO HEATER

Table 1. BTU Ratings and Supply Pressures

MODEL NO.	BTU/HR. RATING		GAS SUPPLY PRESSURE (W.C.)						ORIFICE SIZE	
	GAS		MIN.		MAX.		MANIFOLD			
	NATURAL	PROPANE	NAT.	L.P.	NAT.	L.P.	NAT.	L.P.	NAT.	L.P.
MH/HS25NG	25,000	—	7.0"	—	14"	—	6"	—	45	—
MH/HS25LP	—	22,000	—	11"	—	14"	—	10"	—	55

Table 2. Heater Dimensions and Orifice Sizes

MODEL NO.	OPERATING PRESSURE	ORIFICE SIZE		INPUT BTU/H	SIZE			
		BURNER	PILOT		WIDTH	LENGTH	HEIGHT	WEIGHT
MH/HS25NG	6.0"w.c.	45	.018	25,000	12-1/4"	29-3/4"	7"	20 lb.
MH/HS25LP	10"w.c.	55	.011	22,000	12-1/4"	29-3/4"	7"	20 lb.

Provide adequate clearance to combustibles per Table 3 at control end of heater for servicing and minimum on top and sides for ventilation and combustion air supply.

A minimum clearance of 8' above floor for public garages in accordance with NFPA No. 88 most recent edition, or Figure 1; whichever is larger.

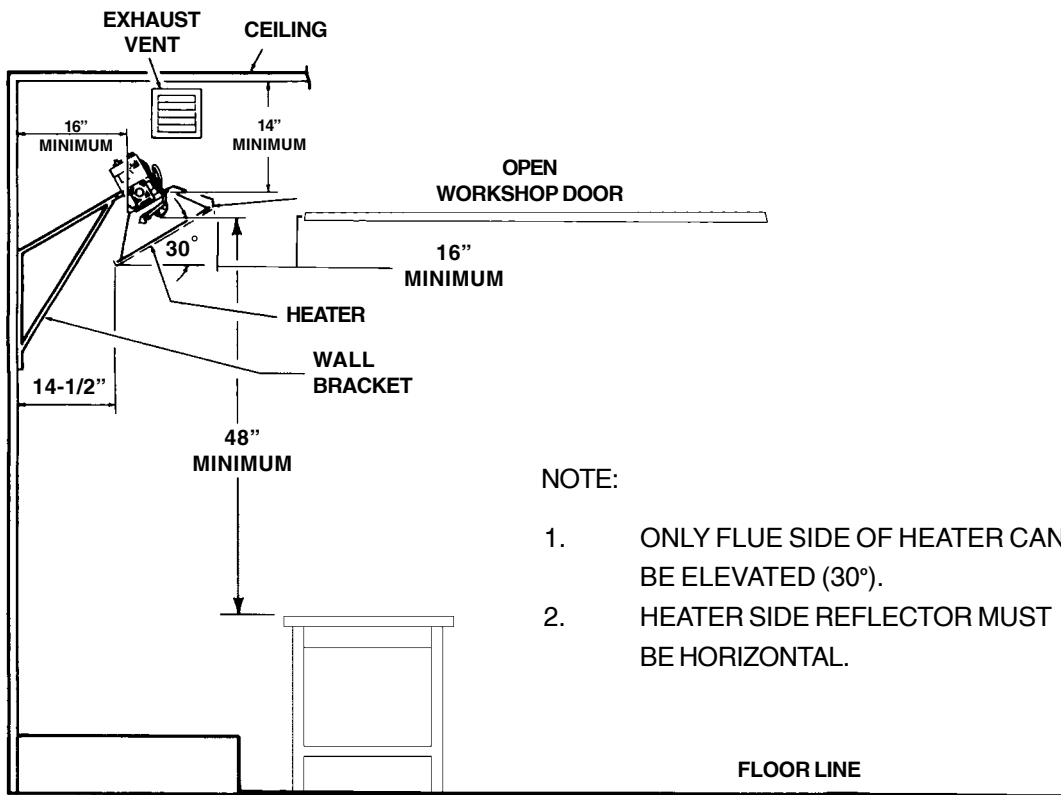
Canadian installations in public garages must comply with CGA 149B.1.9 most recent edition.

⚠ WARNING: Maintain clearances as shown in Figure 2 or on heater nameplate.

CHAPTER II HEATER INSTALLATION

1. GENERAL INSTALLATION INFORMATION AND REQUIREMENTS

- The required minimum clearances to combustible surfaces are illustrated in Figure 2 and Table 3. As shown on Figure 2, the front of the heater is installed at the minimum required clearance to combustible surfaces and toward open space, and then the other sides must have a minimum clearance of 16 inches to combustible surfaces.



NOTE:

- ONLY FLUE SIDE OF HEATER CAN BE ELEVATED (30°).
- HEATER SIDE REFLECTOR MUST BE HORIZONTAL.

Figure 2. Installation Clearances to Combustible Surfaces

Table 3. Installation, Ventilation and Mounting Information

MODEL NO.	BTU/HR. RATING		NORMAL MOUNTING POSITION	CLEARANCES TO COMBUSTIBLE SURFACES			
	GAS			TOP	SIDES	BACK	BELOW
	NAT.	L.P.					
MH/HS25NG	25,000	—	30°	14"	16"	16"	48"
MH/HS25LP	—	22,000	30°	14"	16"	16"	48"

- This heater may be mounted on any wall; however, it is recommended that the heater be mounted in the middle of the wall opposite any overhead doors.
- When selecting installation locations for this heater ensure that the opening of any exterior or interior doors or windows will not violate minimum clearances or contact any heater components.
- If an overhead door is installed in the building, verify that the heater is not installed in such a way as to interfere with door operation and verify that the door in its open position will not reduce clearances below the minimum requirements. Never mount the heater in such a way that would position the heater above an opened overhead door.
- In most cases the infiltration around your uninsulated entry doors and windows will provide enough air flow for efficient heater operation.

Unrestricted air flow during heater operation is essential to prevent the area above the installed heater from overheating. If your workshop/utility building is tightly insulated (including windows, doors, openings, etc.) the following ventilating methods must be followed:

- A single exhaust vent is supplied with your heater for your convenience. This vent must be located above the heater (preferably at the highest point in the building interior) and it must vent to the exterior of the building. An additional vent is available from the factory for those having a finished workshop or utility building.
- An intake vent, or equivalent, from the exterior of the building and having an effective area of 75 square inches must be located below the heater (preferably within 2 feet of the building's floor).
- Openings equivalent to intake vent would be: partially open doors and partially open windows.
- Openings of this size (5 inch by 13 inch, or 3 inch by 25 inch) will prevent dangerous heat buildup above the heater.

Ensure that no gas lines or electrical wiring or conduits will interfere with mounting of the heater to the wall.

Depending on local codes and requirements and the installer's skill level, the sizing and installation of gas lines required to supply the heater may require the assistance of a professional. If in doubt as to these requirements, discuss the requirements of this manual with the dealer from whom the heater was purchased and your gas supplier, or call our customer service

department at 1-800-251-0001.

The selection of the thermostat mounting location is critical to efficient and effective heater operation.

- The thermostat should be mounted about 5 feet above the floor where air can circulate freely around it.
- The thermostat should not be mounted directly to a cold exterior wall without an insulated mounting block.
- The thermostat should not be mounted in direct drafts.
- The thermostat should not be mounted directly below the installed the heater.
- The thermostat should not be installed at a distance that is farther from the heater than the length of the thermostat cable.

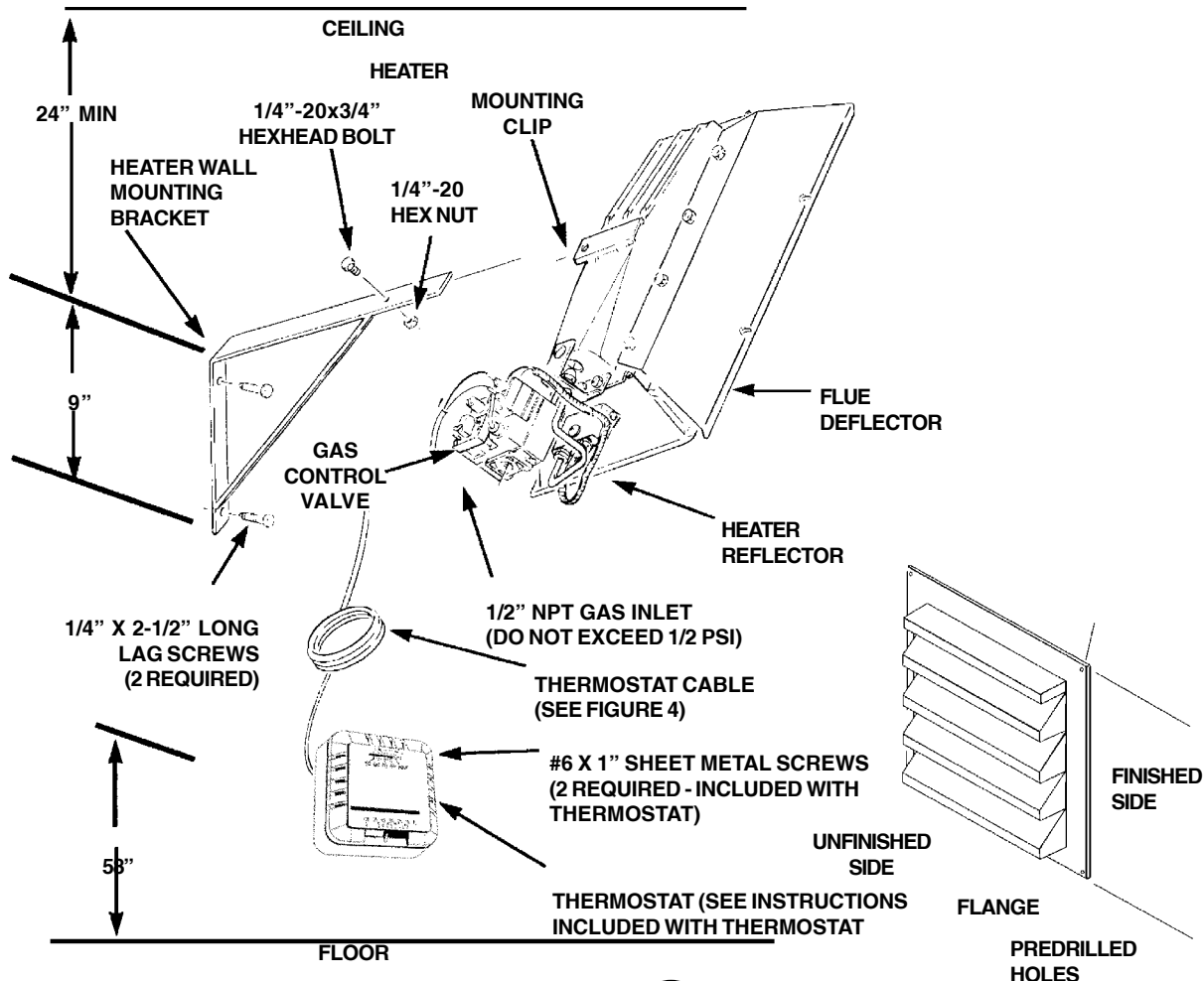
2. HEATER MOUNTING INSTRUCTIONS

After selecting the heater installation location and the thermostat location and after verifying and ensuring that all of the above placement requirements are fulfilled, mount the heater as follows:

- A. Determine how you wish to install the vent based on the construction of the building and your personal preference. (i.e., do you wish the flanged (finished) side on the interior or the exterior of the building or do you want two vents so that both exterior and interior will be finished?) If needed, order an additional vent from the factory. Our address and toll free phone number are on the rear cover of this manual. Install the vent as follows:
 1. See Figure 3 for dimensions and information on the vent.
 2. Select a place as high above the heater as possible in accordance with the above requirements and ensure that the vent or vents will not contact or interfere with existing building systems (i.e., ducts, wiring, plumbing, etc.)
 3. Place the unfinished side of the vent against the wall in its elected location and trace its dimensions on the wall with a pencil or other suitable marker.
 4. Cut or otherwise open a hole in the wall, or walls for finished buildings, having the dimensions of the unfinished side of the vent.
 5. Install the vent or vents as desired and retain with 4 suitable fasteners through the predrilled holes in vent flange.

- B. Prepare to install the heater wall mounting bracket as follows:
1. If the wall mounting bracket is to be attached to a stud and wallboard wall, refer to Figure 3 for dimensions, locate a stud, and drill two 1/8" pilot holes into the stud centerline. Use template for simplified installation.
 2. If the wall mounting bracket is to be attached to a brick or masonry wall, refer to Figure 3 for dimensions. Obtain two 1/4 inch (inside diameter) expansion anchors and determine the correct drill size to be used with them. Drill the appropriate size holes in the brick or masonry to accept the anchors.
- C. Place the wall mounting bracket on the wall and align the two through holes on the bracket with the pilot holes or anchors. Install 1/4 inch by 2-1/2 inch lag screws through the bracket into the stud or anchors. Tighten securely.
- D. Locate heater mounting clip on back of heater and select the 1/4" – 20 by 3/4" hex head bolt and 1/4" – 20 hex nut.
- E. Position the heater as shown in Figure 3 and slide the heater mounting clip over the bracket and install the bolt through the clip and bracket.
- F. Thread the hex nut onto the bolt and tighten securely.
- G. Ensure that the selected thermostat location meets all of the above requirements. Refer to the instructions that come with the thermostat for additional grounding information and mounting instruction.
- H. If the wall is of stud and wallboard construction, then use the #6 by 1 inch sheet metal screws, included with the thermostat, and mount the thermostat in the selected location.
- I. If wall is brick or masonry, the appropriate anchors must be obtained to accommodate thermostat mounting screws. Use the back plate of the thermostat as a template to mark the hole locations, drill appropriate size anchor holes, install the anchors, securely attach the thermostat using the mounting screws.
- J. Connect thermostat wires to gas valve as shown in Figure 4.

Figure 3. Heater Mounting Information



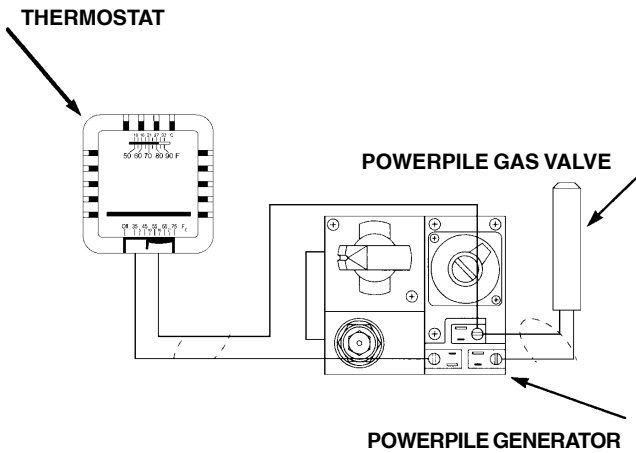


Figure 4. Connection Diagram

Refer to National Electrical Code NFPA70-1993 and for Canadian installations to current CODE C22.1-

3. CONNECTING HEATER TO GAS SUPPLY

⚠ WARNING: Depending on local codes and requirements and the installer’s skill level, the sizing and installation of gas lines required to safely and efficiently supply the heater may require the assistance of a professional. If in doubt as to these requirements, discuss the requirements of this manual with the dealer from whom the heater was purchased and your gas supplier.

3.1 Gas Supply Requirements

- See Tables 1 and 2 for gas supply minimum, maximum, operating, and manifold pressures for both heater models. Pressures are provided in inches of W.C. (water column). Also, see heater rating plates located on the heater.

⚠ WARNING: Model MH/HS25NG is designed to burn natural gas and it comes equipped with a regulator. The regulator is built into the gas valve. The maximum inlet pressure to this regulator is 1/2 psi (14 in. W.C.) If gas line pressure exceeds 1/2 psi, then an additional regulator must be installed before the heater/regulator to step down the pressure to a maximum of 1/2 psi.

- Most residential natural gas services provide a line pressure of 4 oz. (6.9 in. W.C.). If in doubt consult your natural gas supplier.
- To ensure the best performance from your natural gas heater make sure the supply manifold pressure is at least 6" W.C.

⚠ WARNING: Model MH/HS25LP is designed to burn liquefied petroleum (LP) gas and it comes equipped with a regulator. The regulator is built into the gas valve. The maximum inlet pressure to this regulator is 1/2 psi (14 in. W.C.). If gas line pressure exceeds 1/2 psi, then an additional regulator must be installed before the heater/regulator to step down the pressure to a maximum of 1/2 psi.

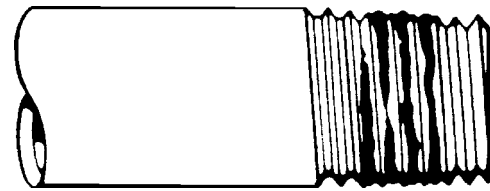
- To ensure the best performance from your LP gas heater, make sure the supply manifold pressure is at least 1/2 psi (14 in W.P.).

3.2 Piping Requirements

All piping installed must comply with local codes and ordinances or with National Fuel Gas Code, ANSI Z223.1 (NFPA 54), whichever takes precedence. When installing piping, the following requirements must be taken into consideration: Canadian installations must comply with the B149.1.2 Gas Code.

- Use new properly reamed black pipe free from chips.
- Apply a good quality pipe compound to all male threads as shown in Figure 5 prior to assembly. If LP gas is the fuel, ensure that pipe compound is resistant to LP gas. Do not use Teflon™ tape.

USE MODERATE AMOUNT OF PIPE DOPE



LEAVE 2 THREADS BARE

Figure 5. Pipe Compound Application

- Male threads on pipe to be installed into gas valve shall meet the requirements of Figure 6. Threads longer than those shown in the figure may cause gas valve distortion and malfunction.
- A sediment trap meeting the typical requirements of Figure 7 shall be installed in the line to the gas valve.
- A dedicated shutoff valve for the heater must be installed in the gas supply line.

3.3 Piping Installation

While ensuring that all of the above gas supply require-

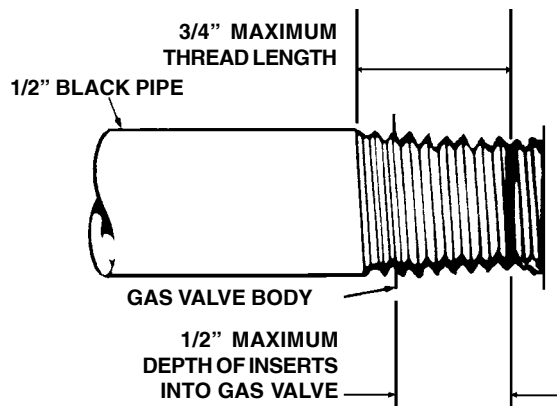


Figure 6. Gas Valve Connection Requirements

ments and piping requirements are fulfilled, install piping as follows:

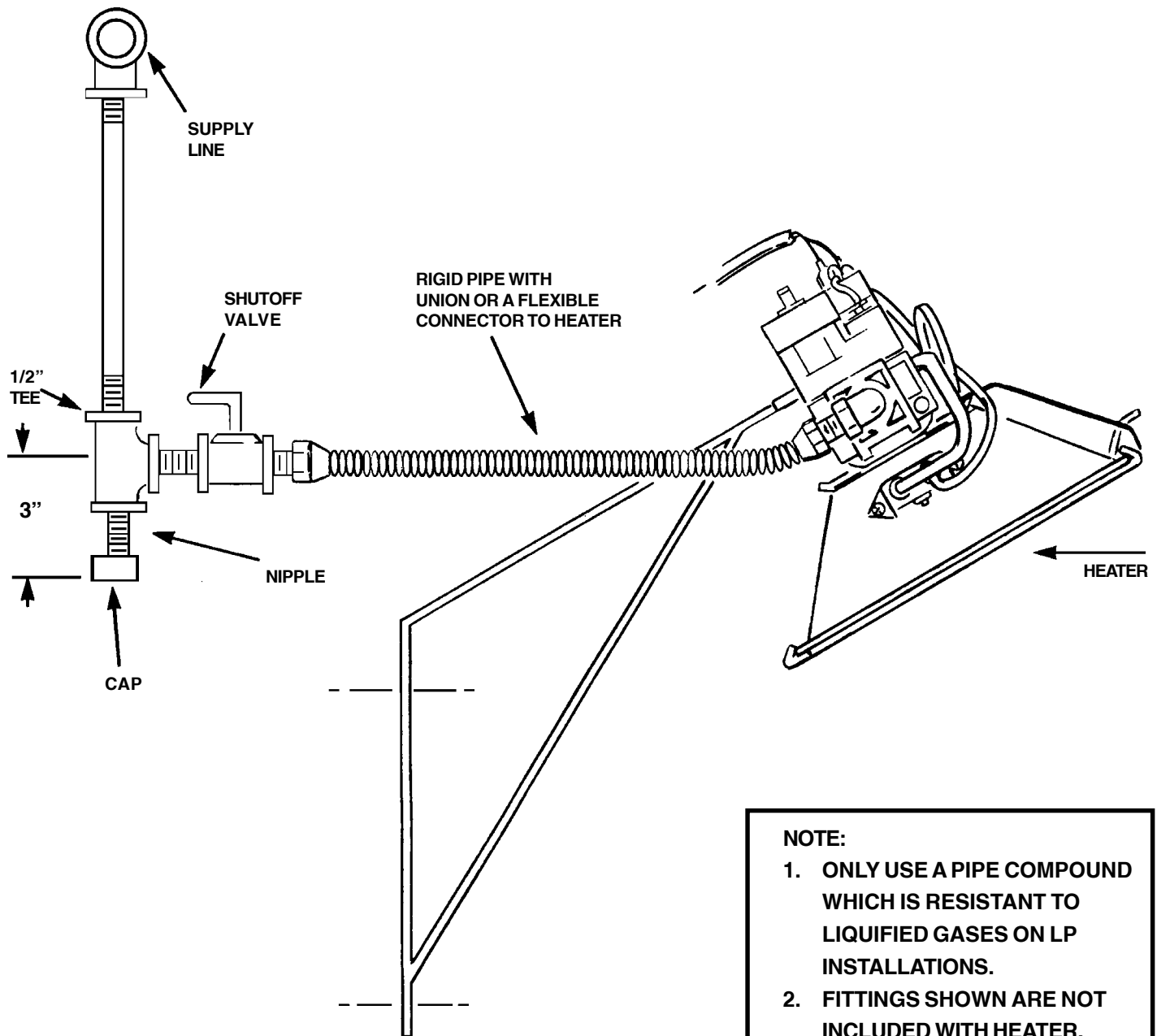
- A. In accordance with the above piping requirements, assemble piping, sediment trap, shutoff valve, and necessary fittings. Tighten all components securely.

⚠ WARNING: Failure to ensure that male threads on pipe to be installed into gas valve meet the requirements of Figure 6 may cause gas valve damage, distortion and malfunction.

- B. Install a threaded nipple, prepared in accordance with paragraph 3.2 into gas valve.
- C. Connect gas piping to nipple installed in the gas valve.

⚠ WARNING: When testing gas piping use only a soap and water solution. Do not use a match or other flame for leak testing. If during leakage check gas is smelled, turn off the gas supply and ventilate building.

- D. Ensure the building is properly ventilated. Without lighting the pilot light of the heater, open the gas supply valve and pressurize the piping up to the heater's gas valve.
- E. Using a brush, apply a soap and water solution to all connections and look for bubbles indicating a leak. If a leak is detected, turn off gas supply and tighten connections. Retest and tighten connections until no more leaks are found.



NOTE:

1. ONLY USE A PIPE COMPOUND WHICH IS RESISTANT TO LIQUIFIED GASES ON LP INSTALLATIONS.
2. FITTINGS SHOWN ARE NOT INCLUDED WITH HEATER.

Figure 7. Typical Piping Installation

CHAPTER III HEATER OPERATING INSTRUCTIONS

1. OPERATING SAFETY INSTRUCTIONS

- ⚠ WARNING:** When used without fresh air, heater may give off CARBON MONOXIDE, an odorless poisonous gas. OPEN WINDOW AN INCH OR TWO FOR FRESH AIR WHEN USING HEATER.
- ⚠ WARNING:** This heater is equipped with a PILOT LIGHT SAFETY SYSTEM. DO NOT TAMPER WITH PILOT LIGHT SAFETY SYSTEM.
- ⚠ WARNING:** If heater shuts off, do not relight until you provide fresh air. Open door for 5 minutes. If heater keeps shutting off, have it serviced. Keep burner and control clean.
- ⚠ WARNING: CARBON MONOXIDE POISONING MAY LEAD TO DEATH.** Early signs of carbon monoxide poisoning resemble the flu with headache, dizziness and/or nausea. If you have these signs, heater may not be working properly. Get fresh air at once! Have heater serviced.
- ⚠ WARNING: DO NOT USE MATCH OR OTHER FLAME FOR LEAK TESTING.**

CAUTION: If the infra-red color of the grid becomes dull when the building furnace is operating, consult gas supplier on correct gas supply piping sizes.

CAUTION: This heater is for indoor installation only!

NOTE

Gasket binder material used in this heater assembly will temporarily emit an odor and/or vapor. This condition will clear up in approximately 20 minutes and thereafter will not reoccur. Refer to Chapter 2 for ventilation.

2. HEATER STARTUP

- ⚠ WARNING:** During heater startup ensure that building is well ventilated.

- A. Open the gas supply valve or valves.
- B. Set the thermostat to the OFF position. See Figure 8.

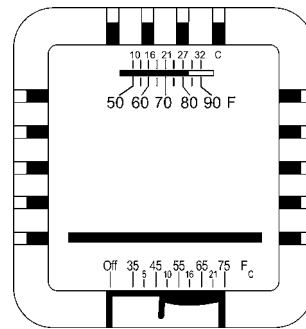


FIGURE 8. THERMOSTAT CONTROLS

- C. If the manual gas control knob on the gas valve is not in the OFF position, partially depress the knob and rotate to the OFF position. See Figure 9.

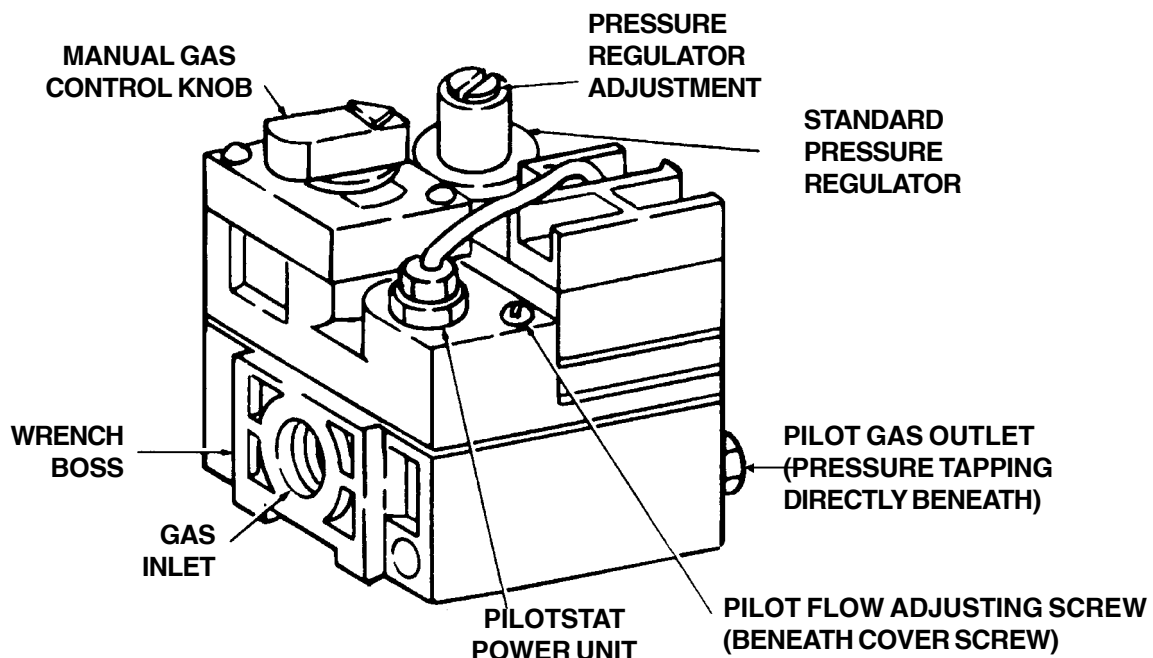


Figure 9. Gas Valve Components

- D. Wait 5 minutes to allow gas that may have accumulated in the main burner to escape (especially important after installation).
- E. Turn the manual gas control knob to the PILOT position.
- F. Depress the manual gas control knob. Using a match, light the pilot light. See Figure 10. Hold the knob down for approximately 30 seconds to allow any air in gas lines to pass through pilot and, once pilot is lit, allow the thermocouple to heat up enough to activate the safety valve in an open position.
- G. Release manual gas control knob and turn to ON.
- H. Reset thermostat to desired temperature.

NOTE

During the initial startup of heater, an odor and, perhaps, some vapor will come from the heater. This is the gasket binding material emitting this odor and/or vapor. After approximately 20 minutes, this odor will disappear and not occur again.

3. HEATER SHUTDOWN

- A. Turn thermostat to OFF.
- B. Turn manual gas control knob on gas valve to PILOT position.
- C. Partially depress knob and rotate to the OFF position.
- D. Close gas supply valves.

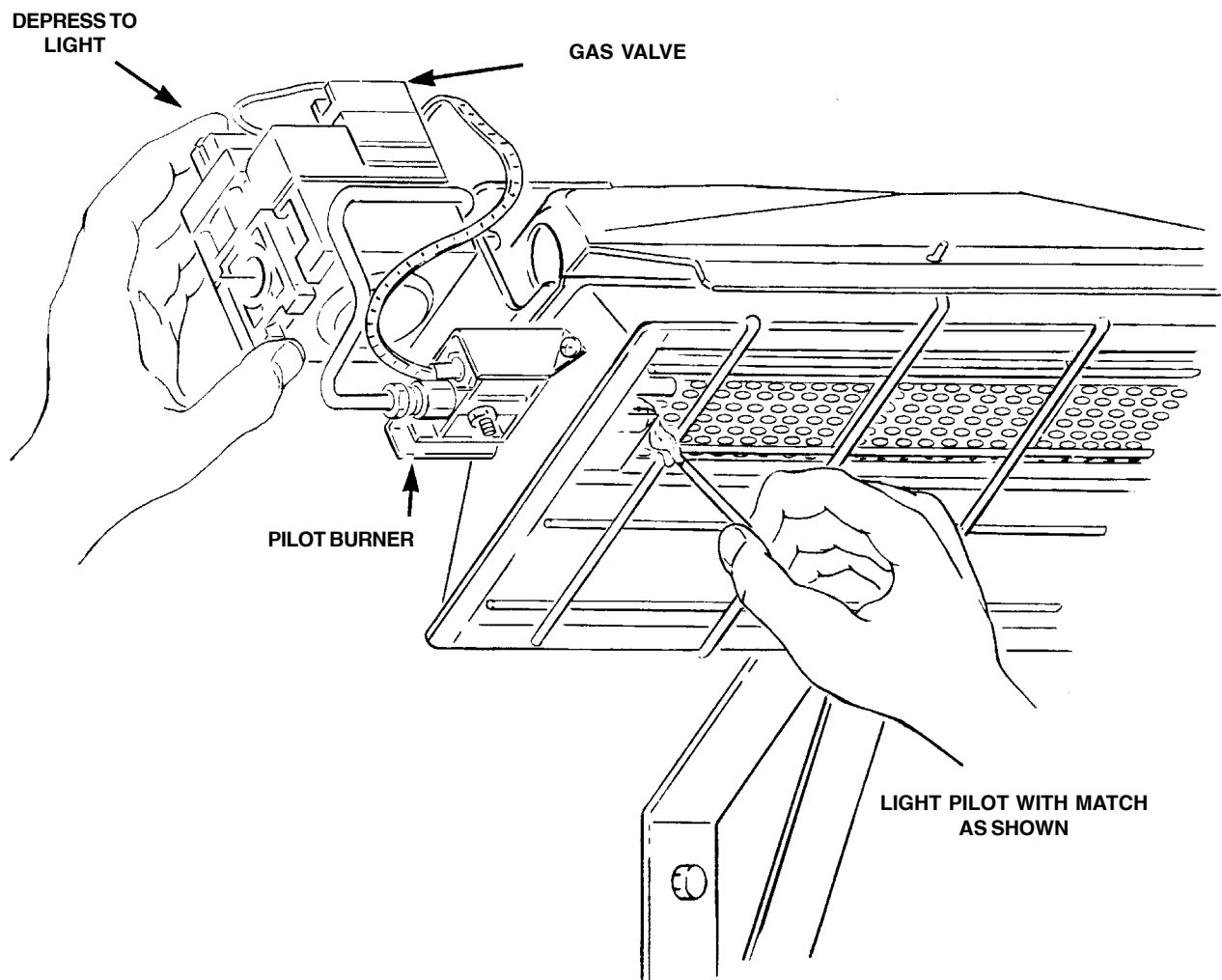


Figure 10. Lighting of Pilot Burner

CHAPTER IV OPERATOR MAINTENANCE INSTRUCTIONS

1. TROUBLESHOOTING

- A. Table 4 lists the common malfunctions which you may find during the operation or maintenance of your heater.
- B. For additional information, refer to Honeywell Field Bulletin enclosed in the heater carton.
- C. In the event results cannot be obtained after performing all listed solutions, call the factory.

2. ADJUSTING THE PILOT FLAME

The pilot flame should envelop $3/8$ to $1/2$ in. (10 to 13 mm) of the tip of the thermocouple or generator. Refer to Figure 11. To adjust:

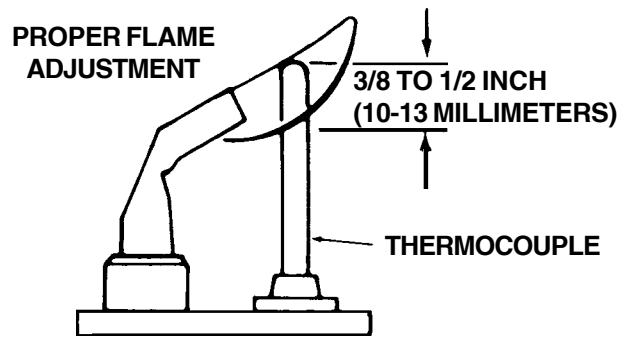


Figure 11. Proper Flame Adjustment

- A. Remove pilot adjustment cover screw. Refer to Figure 12.
- B. Turn inner adjustment screw clockwise to decrease or counterclockwise to increase pilot flame.
- C. Always replace cover screw after adjustment and tighten firmly to ensure proper operation.

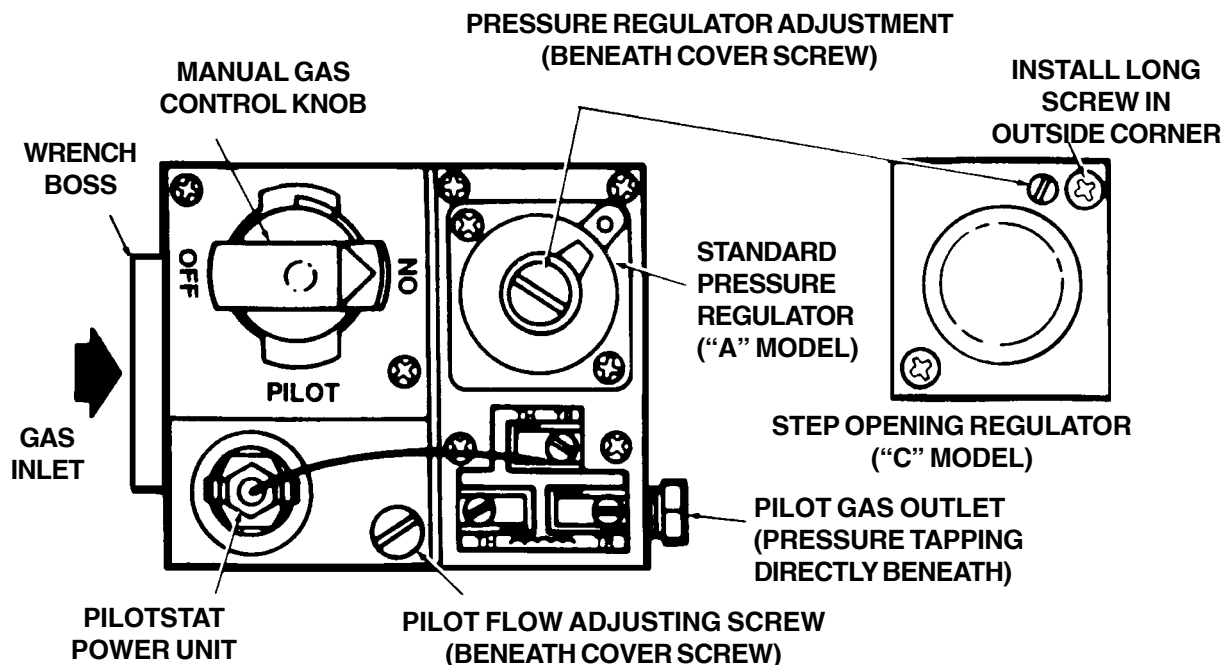


Figure 12. Top View of Standard Capacity Gas Control

Table 4. Trouble Shooting Chart

Below in chart form are various symptoms of a malfunctioning system, possible defects that will cause these symptoms and suggested corrective measures. The chart assumes that the proper gas pressure is available to the heater and that the lighting procedure is as stated on the plate attached to the heater.

SYMPTOMS	CAUSES	SOLUTIONS
burner light off very slow	partially block pilot orifice pilot out of adjustment	replace re-adjust pilot
burner light off very slow infra-red color stays dull	partially blocked burner orifice	replace
burner flash back (roaring noise during operation and ceramic grid surface will be dark)	low gas pressure damaged burner	correct line pressure or call your gas supplier replace
ceramic grid or burner sooting up (when new or after cleaning)	first check for damaged burner orifice if burner orifice is not damaged then check for damaged manifold	replace if damaged replace
pilot cannot be ignited	blocked pilot orifice gas cock not in position pilot gas flow adjustment screw may be closed	replace gas cock knob must be turned to pilot and held depressed open and adjust (see Figure 12)
pilot lights but goes out	defective thermocouple defective control	replace replace
pilot stays lit but main burner will not light	loose wire or improperly wired defective control blocked burner orifice	tighten connections, check wiring diagram replace clean orifice or replace
failure to ignite	main gas off air in gas line loose wire connections dirty wire connections	open manual valves bleed gas line tighten wire connections clean terminals and secure terminals

3. REPLACING THE GAS VALVE UNIT

- A. Remove the two gas valve unit wires at the gas control valve labeled "PP".
- B. Unscrew gas valve from gas piping.
- C. Reconnect gas valve and unit wires to terminals "PP". Be sure to leave thermostat wire on one terminal.

4. FREQUENCY OF OPERATOR CHECKS

Intermittent use. Appliances that are used seasonally

should be checked before shutdown and again before the next use.

Dusty, wet or corrosive environment. Since these environments can cause the gas control to deteriorate more rapidly, the system should be checked more often.

The gas control should be replaced if:

- A. It does not perform properly on checkout or trouble shooting.
- B. The gas control knob is hard to turn or push down, or it fails to pop back up when released.

IF SERVICE IS REQUIRED

PLEASE DO NOT RETURN THIS APPLIANCE TO YOUR STORE

For information regarding service, please call our Toll-Free Number:
1-800-251-0001.

Our office hours are 8:30 AM – 5:00 PM, Eastern Time Zone
Monday through Friday

Please include the model number, date of purchase, and description of
problem in all communication.

CHAPTER V REPLACEMENT PARTS LIST

1. INTRODUCTION

This section of the manual will help you to obtain efficient and dependable service from your heater and enable you to order repair parts correctly.

- A. Order parts by giving full model number and serial number as it is stated on the name plate attached to the heater.
- B. See Figure 13 to assist in locating parts.
- C. Refer to Table 5 for part number and description.

2. WARRANTY

Enerco Group, Inc. warrants that Infra-Red Heaters manufactured and sold will be free from defects in material and workmanship.

Parts, assemblies, controls, etc. furnished by EGI

suppliers will carry a one (1) year warranty from date of purchase.

The sole responsibility of EGI under this warranty shall be to replace any part for which a written claim is made to EGI WITHIN THE TIME LIMIT OF THIS WARRANTY, WHICH IS RETURNED UPON REQUEST TO EGI – F.O.B. Cleveland, Ohio – OR F.O.B. an EGI authorized service facility and which is proved to be defective upon inspection by EGI.

This warranty shall not apply to any part or product which has been subjected to misuse or neglect, damaged by accident, or rendered defective by reason of improper installation. THIS WARRANTY IS IN LIEU OF ANY AND ALL OTHER WARRANTIES, EXPRESSED OR IMPLIED, and of any other responsibility of EGI for parts or products sold by EGI, including consequential or special damages.

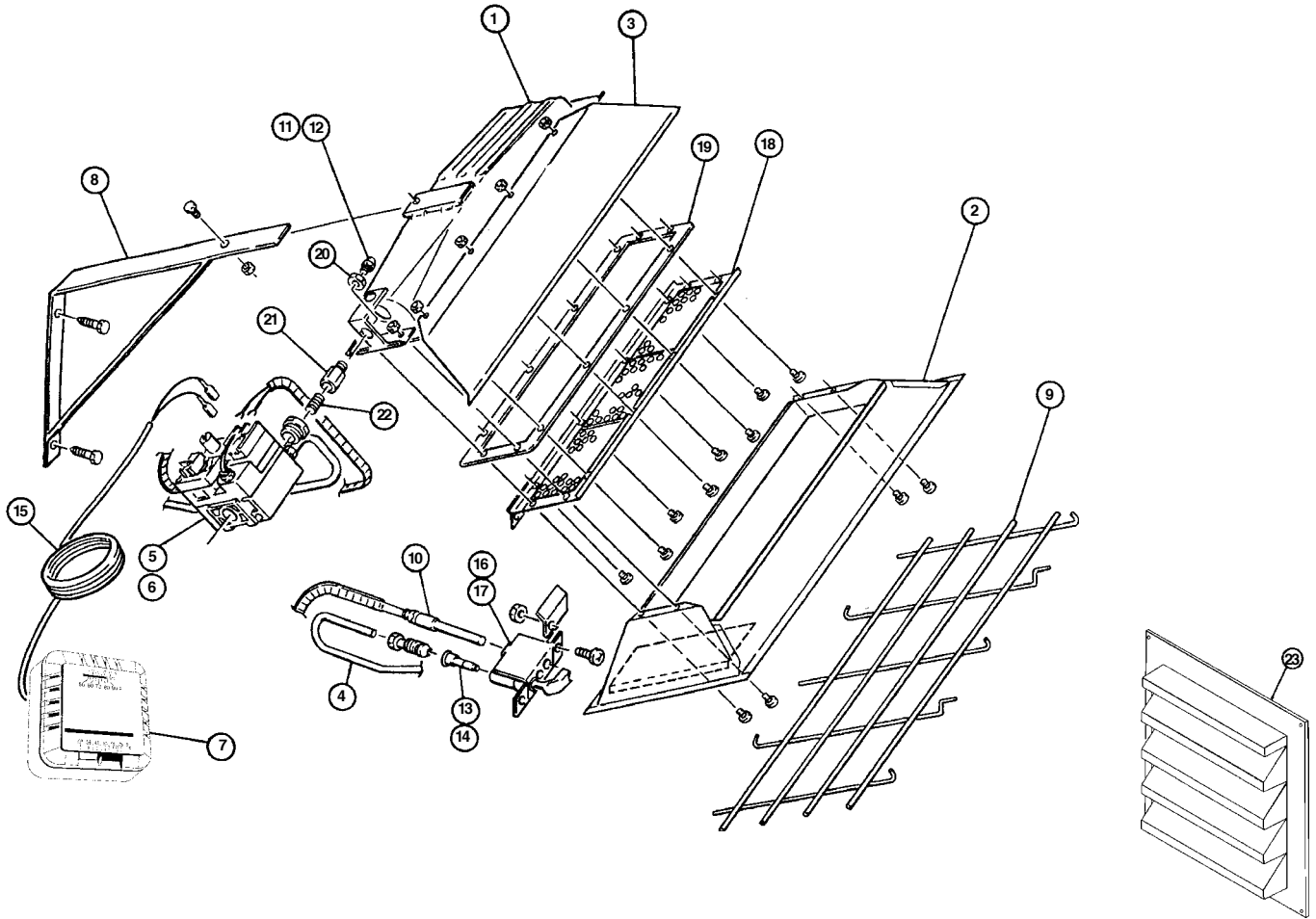


Table 5. Replacement Parts List for Heater Models MH/HS25NG and MH/HS25LP

ITEM NO.	STOCK NO.	DESCRIPTION	ITEM NO.	STOCK NO.	DESCRIPTION
1	02529A	Burner Assembly Complete	12	05455	Orifice-Burner-Propane Gas
2	00377A	Reflector Assembly	13	05576	Orifice-Pilot-Natural Gas
3	01357	Flue Deflector	14	05573	Orifice-Pilot-Propane Gas
4	16451	Pilot Tube	15	10358	Thermostat Cable
5	00024	Gas Valve-Natural Gas	16	11406	Pilot Burner N/G
6	00025	Gas Valve-Propane Gas	17	11405	Pilot Burner L/P
7	10367	Thermostat	18	04435A	Grid Replacement
8	14405	Wall Mounting Bracket	19	12369	Gasket
9	04432	Face Guard	20	05354	Jamb Nut
10	09360	Thermocouple/Generator	21	05351	Connector
11	05445	Orifice-Burner-Natural Gas	22	98593	3/8" Close Nipple
			23	19014	Intake Louver

ALL WARRANTY CLAIMS REQUIRE PROOF OF PURCHASE

WARRANTY INFORMATION

Keep this warranty

Model _____
Serial No. _____
Date Purchased _____

Always specify model and serial numbers when communication with the factory.

We reserve the right to amend these specifications at any time without notice. The only warranty applicable is our standard written warranty. We make no other warranty, expressed or implied.

Enerco Group, Inc. warrants this product to be free from defects in materials and components for two (2) years from the date of first purchase, provided that the product has been properly installed, operated and maintained in accordance with all applicable instructions. To make a claim under this warranty the Bill of Sale or cancelled check must be presented.

The warranty is extended only to the original retail purchaser. This warranty covers the cost of part(s) required to restore the heater to proper operating condition and an allowance for labor when provided by an Enerco Group, Inc. Authorized Service Center. Warranty part(s) MUST be obtained through authorized dealers of this product and/or Enerco Group, Inc. who will provide original factory replacement parts. Failure to use original factory parts voids this warranty. The heater MUST be installed by a qualified installer in accordance with all local codes and instructions furnished with the unit.

This warranty does not apply to parts that are not in original condition because of normal wear and tear of parts that fail or become damaged as a result of misuse, accidents, lack of proper maintenance or defects caused by improper installation. Travel, diagnostic cost, labor, transportation and any and all such costs related to repairing a defective heater will be the responsibility of the owner.

TO THE FULL EXTENT ALLOWED BY THE LAW OF THE JURISDICTION THAT GOVERNS THE SALE OF THE PRODUCT; THIS EXPRESS WARRANTY EXCLUDES ANY AND ALL OTHER EXPRESSED WARRANTIES AND LIMITS THE DURATION OF ANY AND ALL IMPLIED WARRANTIES OF MERCHANTABILITY AND FITNESS FOR A PARTICULAR PURPOSE, TO TWO (2) YEARS OF ALL COMPONENTS FROM THE FIRST DATE OF PURCHASE; AND ENERCO GROUP, INC.'S LIABILITY IS HEREBY LIMITED TO THE PURCHASE PRICE OF THE PRODUCT AND ENERCO GROUP, INC. SHALL NOT BE LIABLE FOR ANY OTHER DAMAGES WHATSOEVER INCLUDING INDIRECT, INCIDENTAL OR CONSEQUENTIAL DAMAGES.

Some states do not allow a limitation on how long an implied warranty lasts or an exclusion or limitation on incidental or consequential damages, so the above limitation on implied warranties, or limitation on damages, may not apply to you.

This warranty gives you specific legal rights, and you may also have other rights that vary from state to state. Always specify model and serial number when communication with the factory.

ENERCO GROUP, INC., 4560 W. 160TH ST., CLEVELAND, OHIO 44135
216-916-3000 Toll Free Number 1-800-251-0001
www.mrheater.com
Mr. Heater is a registered trademark of Enerco Group, Inc.
© 2005, Enerco/Mr. Heater. All rights reserved



CAN 1-2.16-M81
ANSI Z83.6b-1993

RENSEIGNEMENTS SUR LA GARANTIE

Conservez cette garantie

Modèle	_____
Numéro de série	_____
Date de l'achat	_____

Précisez toujours le modèle et le numéro de série dans vos communications avec l'usine.

Nous nous réservons le droit de modifier ces spécifications en tout temps sans préavis. La seule garantie applicable est notre garantie écrite standard. Nous n'offrons aucune autre garantie, expresse ou implicite.

Enenco Group, Inc. garantit ce produit contre tout défaut de matériel et de fabrication pour une période de deux (2) ans à partir de la date de l'achat initial, à la condition que ce produit ait été correctement installé, utilisé et entretenu conformément aux directives applicables. Pour faire une réclamation en vertu de cette garantie, un contrat de vente ou un chèque annulé doit être présenté.

La garantie ne protège que l'acheteur initial auprès du détaillant. Cette garantie couvre le coût de la ou des pièces requises pour rétablir le bon fonctionnement du radiateur et, s'il y a lieu, celui de la main-d'œuvre du centre de réparations autorisé par Enenco Group, Inc.. Les pièces garanties DOIVENT être obtenues auprès des détaillants autorisés de ce produit et/ou d'Enenco Group, Inc., qui fournira les pièces de rechange originales de l'usine. Le défaut d'utiliser des pièces originales de l'usine aura pour effet d'annuler cette garantie. Le radiateur DOIT être installé par un installateur qualifié conformément à tous les codes locaux et à la notice d'installation fournie avec l'appareil.

Cette garantie ne s'applique pas aux pièces soumises à une usure normale ni aux pièces défectueuses ou endommagées en raison d'un usage abusif, d'un accident, ou bien d'un entretien inadéquat ou d'une mauvaise installation. Les frais de déplacement, de diagnostic, de main-d'œuvre et de transport, ainsi que toutes les dépenses reliées à la réparation d'un radiateur défectueux seront à la charge du propriétaire.

AVEC TOUTE LA RIGUEUR DE LA LOI DU TERRITOIRE GOUVERNANT LA VENTE DU PRODUIT, CETTE GARANTIE EXPRESSE EXCLUT TOUTE AUTRE GARANTIE EXPRESSE ET LIMITE LA DURÉE DE TOUTES LES GARANTIES IMPLICITES DE QUALITÉ MARCHANDE ET D'APTITUDE À L'USAGE À DEUX (2) ANS POUR TOUTS LES COMPOSANTS À PARTIR DE LA DATE DU PREMIER ACHAT, ET LA RESPONSABILITÉ D'ENERCO GROUP, INC. EST PAR LA PRÉSENTE LIMITÉE AU PRIX D'ACHAT DU PRODUIT; ENERCO GROUP, INC. NE SERA RESPONSABLE D'AUCUN AUTRE DOMMAGE INDIRECT, ACCESSOIRE OU CONSÉCUTIF.

Certains provinces ou certains États ne permettent pas une limite de durée de garantie implicite ni une exclusion ou une limitation sur les dommages accessoires et consécutifs; ainsi, il est possible que la limite ci-dessus sur les garanties implicites ou sur les dommages ne s'applique pas à vous.

La présente garantie vous accorde des droits juridiques précis, et vous pourriez également avoir d'autres droits qui varient selon la province ou l'État. Précisez toujours le modèle et le numéro de série dans vos communications avec l'usine.

ENERCO GROUP, INC., 4560 W. 160TH ST., CLEVELAND, OHIO 44135
216 916-3000 Numéro sans frais 1 800 251-0001
www.mrheater.com
Mr. Heater est une marque déposée d'Enenco Group, Inc.
© Enenco/Mr. Heater, 2005. Tous droits réservés.

Modèle n°

MH25NG/LP

HS25NG/LP

16

Notice d'installation et guide d'utilisation

ANSI Z83.6b-1993

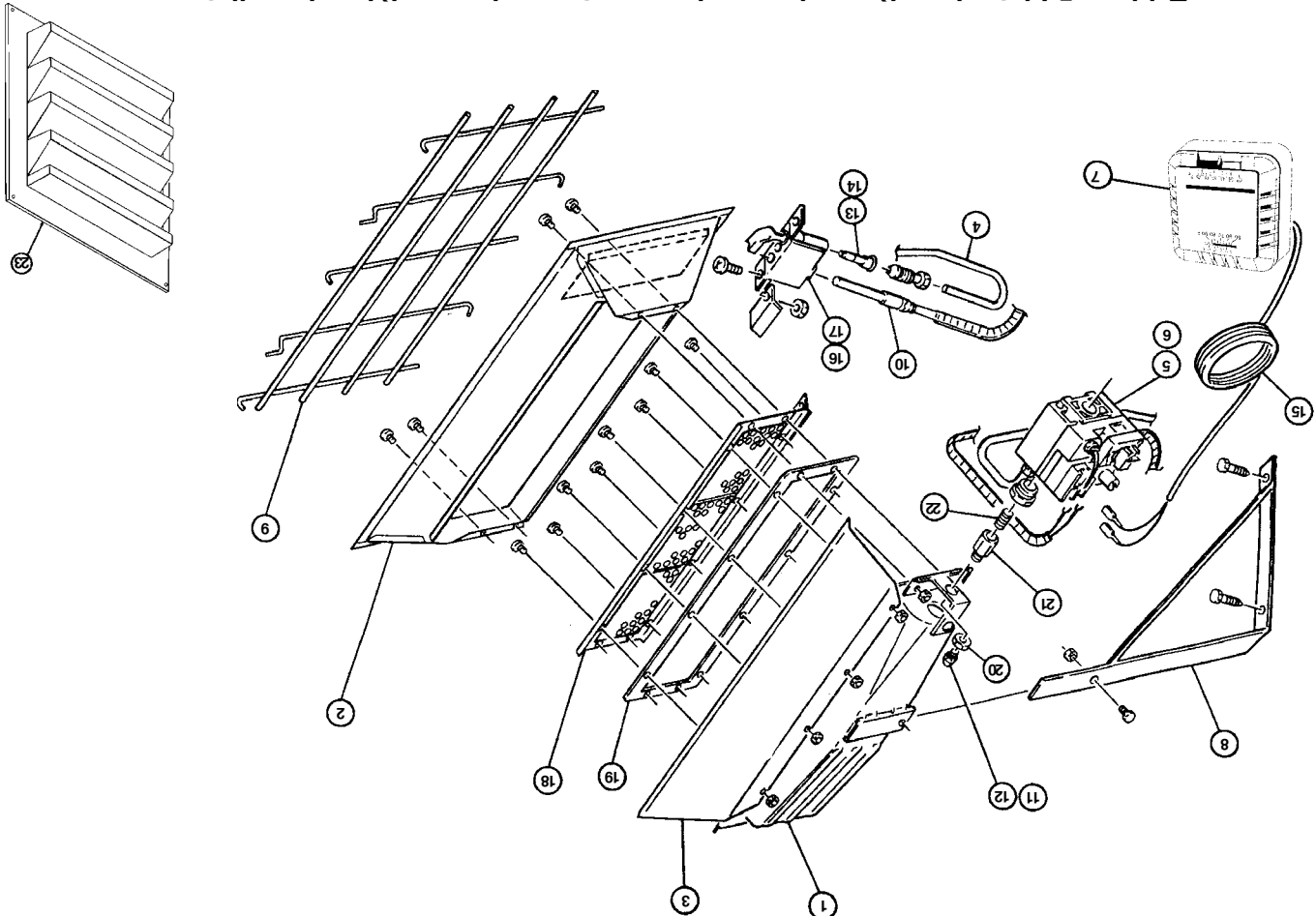
CAN 1-2-16-M81



TOUTES LES RÉCLAMATIONS EN VERTU DE LA GARANTIE REQUIÈRENT UNE PRÉVUE D'ACHAT

N° D'ARTICLE	N° DE NOMEN-CLATURE	DESCRIPTION	N° D'ARTICLE	N° DE NOMEN-CLATURE	DESCRIPTION
1	02529A	Ensemble complet de brûleur	12	05455	Orifice-brûleur-gaz propane
2	00377A	Ensemble de réflecteur	13	05576	Orifice-veilleuse-gaz naturel
3	01357	Détecteur de gaz de combustion	14	05573	Orifice-veilleuse-gaz propane
4	16451	Tube de veilleuse	15	10358	Câble du thermostat
5	00024	Soupape de gaz-gaz	16	11406	Veilleuse GN naturel
5	00024	Soupape de gaz-gaz	16	11406	Veilleuse GN naturel
7	10367	Thermostat	18	04435A	Grille de rechange
8	14405	Support mural	19	12369	Joint d'étanchéité
9	04432	Grille de protection	20	05354	Contre-écrou
10	09360	Thermocouple/générateur	21	05351	Connecteur
11	05445	Orifice-brûleur-gaz naturel	22	98593	Raccord simple 3/8 po
			23	19014	Évent à lames

Tableau 5 Liste des pièces de remplacement pour les modèles de radiateurs MH/HS25NG et MH/HS25LP



1. INTRODUCTION

La présente section du manuel vous aidera à obtenir un rendement fiable et efficace de votre radiateur et à commander les pièces correctement.

A. Pour commander les pièces, indiquez le numéro complet du modèle et le numéro de série indiqués sur la plaque signalétique du radiateur.

B. Consultez la figure 13 pour repérer les pièces.

C. Reportez-vous au tableau 5 pour le numéro et la description des pièces.

2. GARANTIE

Enerco Group, Inc. garantit les radiateurs à infrarouge fabriqués et vendus contre les défauts de matériel et de fabrication.

Les pièces, les ensembles, les commandes, etc., fournis par les fournisseurs d'EGL comportent une garantie d'un (1) an à partir de la date d'achat.

CHAPITRE V

Liste des pièces de rechange

SI UNE RÉPARATION EST NÉCESSAIRE

NE RETOURNEZ PAS CET APPAREIL À VOTRE MAGASIN

Pour plus de renseignements sur les réparations, veuillez appeler notre numéro sans frais : 1 800 251-0001.

Nos heures d'ouverture sont de 8 h 30 à 17 h, HE, du lundi au vendredi

Veuillez inclure le numéro de modèle, la date de l'achat et la description du problème dans toutes vos communications.

En vertu de cette garantie, la seule responsabilité d'EGL consiste à remplacer toute pièce pour laquelle une réclamation écrite est soumise à EGL DURANT LA PÉRIODE DE GARANTIE, CETTE PIÈCE DEVANT ÊTRE RETOURNÉE SUR DEMANDE À EGL – FOB à Cleveland, en Ohio – OU FOB à un centre de réparations EGL autorisé, si EGL détermine après inspection que la pièce est défectueuse.

Cette garantie ne protège aucunement une pièce ou un produit négligés ou dont on a fait un usage abusif, accidentellement endommagés ou défectueux en raison d'une mauvaise installation. CETTE GARANTIE REMPLACE TOUTE AUTRE GARANTIE EXPRESSE OU IMPLICITE, et toute autre responsabilité d'EGL en regard des pièces ou des produits vendus par EGL, incluant les dommages consécutifs ou spéciaux.

Tableau 4. Tableau de dépannage

Le tableau suivant présente différents symptômes d'un système défectueux, les causes possibles de ces symptômes et les mesures correctives suggérées. Le tableau suppose que la pression du gaz combustible est appropriée et que la procédure d'allumage est conforme à celle indiquée sur la plaque rattachée au radiateur.

SYMPTÔMES	CAUSES	SOLUTIONS
-----------	--------	-----------

allumage très lent de la veilleuse	obturation partielle de l'orifice de la veilleuse, veilleuse mal réglée	remplacer régler de nouveau la veilleuse
allumage très lent de la veilleuse, la couleur de l'intrarouge demeure terne	obturation partielle de l'orifice de la veilleuse	remplacer
retour de flamme du brûleur (fonctionnement bruyant du radiateur et la surface de la grille en céramique est sombre) brûleur endommagé	pression insuffisante du gaz	remplacer corriger la pression dans la conduite ou appeler le fournisseur en gaz
grille en céramique ou brûleur noirs de suie (alors qu'ils sont neufs ou viennent d'être nettoyés)	vérifier d'abord si l'orifice du brûleur est endommagé si l'orifice du brûleur n'est pas endommagé vérifier si le collecteur est endommagé	remplacer si endommagé remplacer
impossible d'allumer la veilleuse	orifice de la veilleuse bloqué robinet de gaz pas en position la vis de réglage du débit de gaz à la veilleuse est peut-être fermée	remplacer le bouton du robinet doit être tourné à PILOT et tenu enfoncé ouvrir et régler (voir la figure 12)
la veilleuse s'allume puis s'éteint	thermocouple défectueux	remplacer remplacer
la veilleuse demeure allumée mais le brûleur principale ne s'allume pas	fils de raccordement relâchés ou inadéquats commande défectueuse orifice du brûleur bloqué	serrer les connexions, vérifier mais le brûleur principal le schéma de câblage remplacer nettoyer l'orifice ou remplacer
allumage impossible	gaz secteur coupé fils de raccordement relâchés fils de raccordement encrassés	ouvrir les robinets manuels purger la conduite de gaz serrer les fils de raccordement nettoyer et serrer les bornes

3. REMPLACEMENT DE LA SOUPAPE DE GAZ

- Déposez les deux fils étiquetés « PP » à la soupape de gaz.
- Dévissez la soupape de gaz du tuyau.
- Reconnectez la soupape de gaz et les fils de la soupape aux bornes « PP ». Assurez-vous de laisser le fil du thermostat sur une borne.

4. FRÉQUENCE DES INSPECTIONS PAR L'UTILISATEUR

Usage intermittent. Les appareils utilisés sur une base saisonnière doivent être inspectés avant leur mise à l'arrêt et avant leur mise en fonction à la saison suivante.

- Elle ne fonctionne pas correctement lors de l'inspection ou du dépannage.
 - Il est difficile de tourner ou d'enfoncer le bouton de la commande de gaz, ou si le bouton ne remonte pas lorsque relâché.
- La commande de gaz doit être remplacée si :
- A. Elle ne fonctionne pas correctement lors de l'inspection ou du dépannage.
- B. Il est difficile de tourner ou d'enfoncer le bouton de la commande de gaz, ou si le bouton ne remonte pas lorsque relâché.
- Puisque ce type d'environnement peut entraîner une détérioration rapide de la commande de gaz, le système doit être inspecté plus souvent.

Environnement poussiéreux, humide ou corrosif.

CHAPITRE IV DIRECTIVES D'ENTRETIEN À L'INTENTION DE L'UTILISATEUR

1. DÉPANNAGE

- Le tableau 4 énumère les défaillances courantes durant le fonctionnement ou l'entretien de votre radiateur.
 - Pour plus de renseignements, consultez le bulletin technique Honeywell inclus dans la boîte du radiateur.
 - Si toutes les solutions énumérées ne permettent pas de régler le problème, appelez l'usine.
- La flamme de la veilleuse doit envelopper 10 à 13 mm (3/8 à 1/2 po) de la pointe du thermocouple ou du générateur. Voir la figure 11. Pour le réglage :

2. RÉGLAGE DE LA FLAMME DE LA VEILLEUSE



- Déposez la vis du couvercle de réglage de la veilleuse. Voir la figure 12.
- Tournez la vis de réglage interne dans le sens horaire  pour réduire la flamme de la veilleuse et dans le sens antihoraire  pour l'augmenter.
- Remettez toujours la vis du couvercle après le réglage en la serrant bien pour assurer le bon fonctionnement de la veilleuse.

Figure 11. Réglage approprié de la flamme

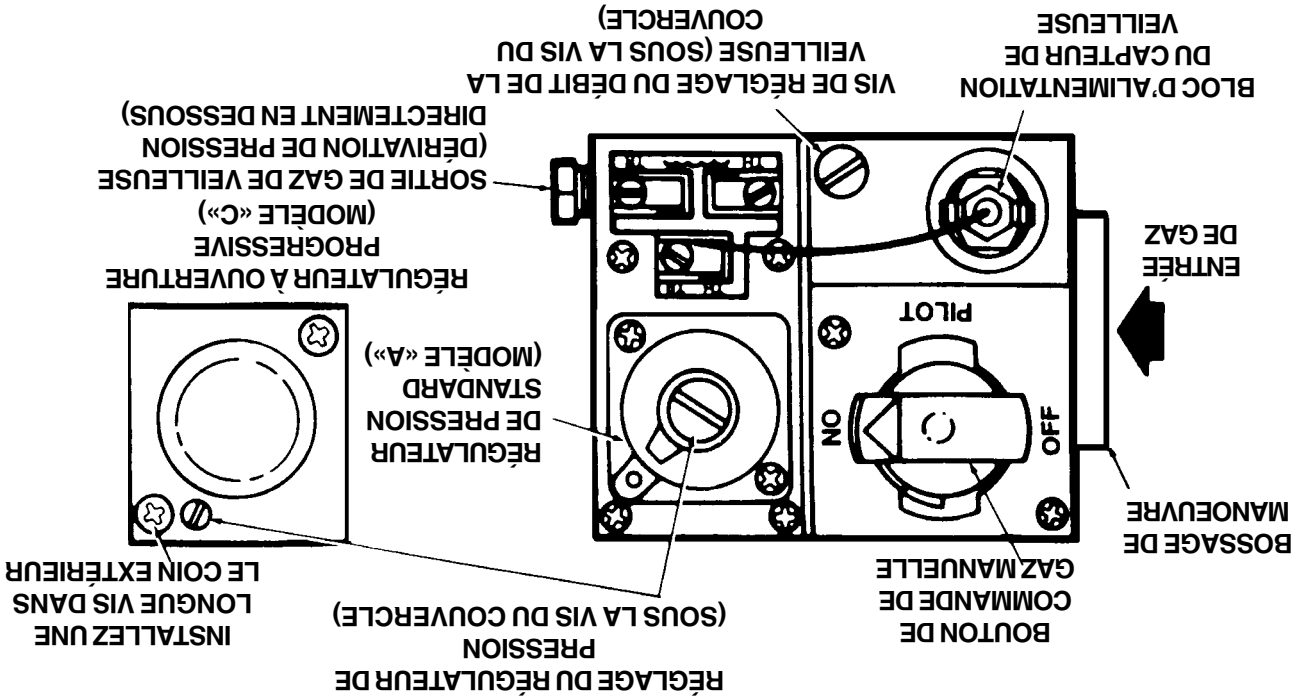
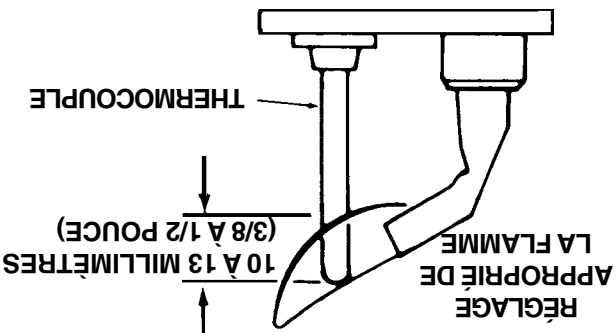
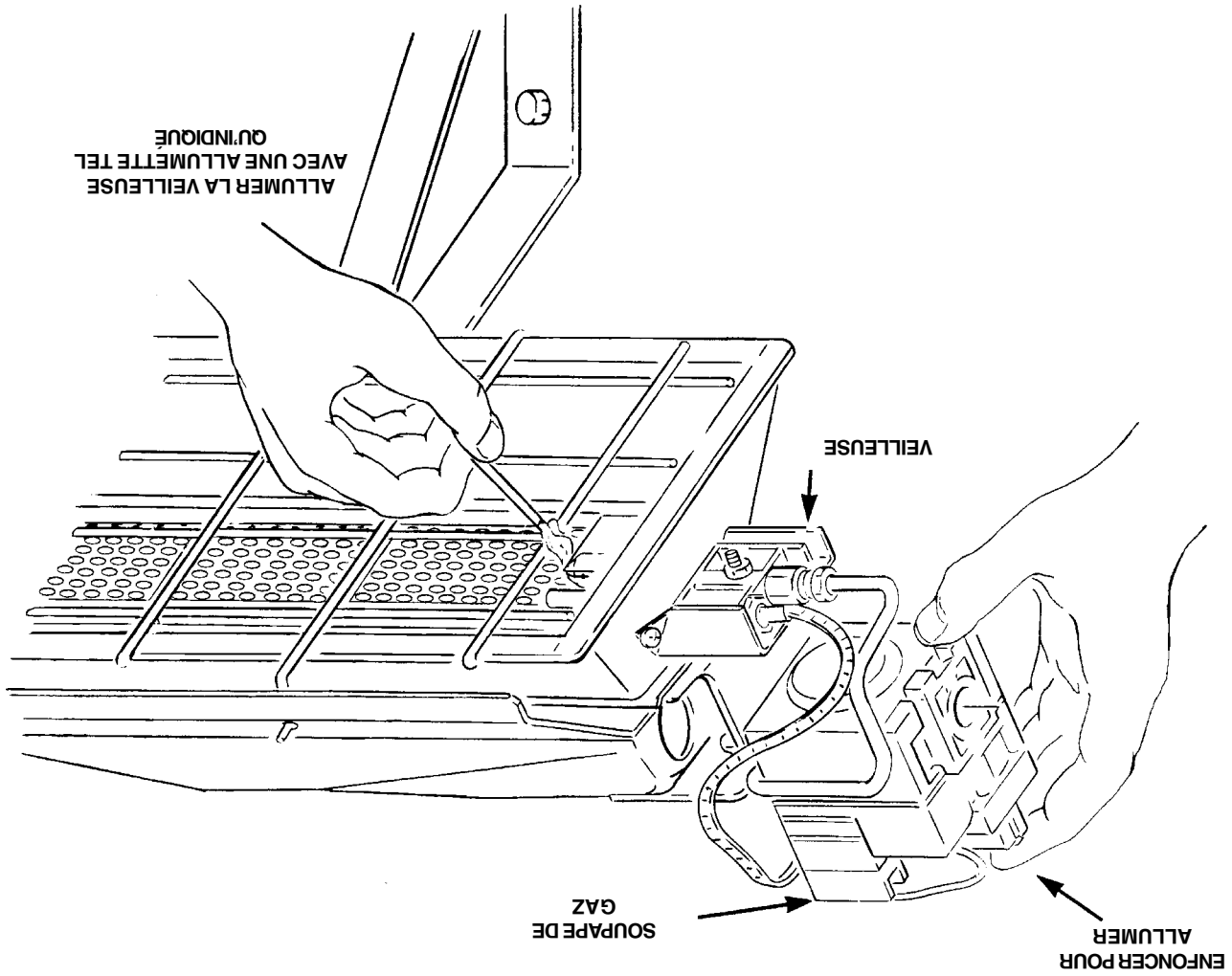


Figure 12. Commande de gaz de capacité standard –
vue du dessus

Figure 10. Allumage de la veilleuse



- D. Attendez 5 minutes pour permettre la dissipation du gaz accumulé dans le brûleur principal (particulièrement important après l'installation).
- E. Tournez le bouton de commande manuelle de gaz à la position PILOT (veilleuse).
- F. Enfoncez le bouton de commande manuelle de gaz. Avec une allumette, allumez la veilleuse. Voir la figure 10. Tenez le bouton enfoncé pendant environ 30 secondes pour permettre à l'air présent dans les conduites de gaz de se rendre à la veilleuse et, une fois la veilleuse allumée, pour permettre au thermocouple de se réchauffer suffisamment pour ouvrir la soupape de sécurité.
- G. Relâchez le bouton de commande manuelle de gaz et mettez-le à ON (ouvert).
- H. Réglez le thermostat à la température désirée.

3. ARRÊT DU RADIATEUR

Au démarrage initial du radiateur, une odeur et peut-être un peu de vapeur seront dégagées par le radiateur. Cette odeur et/ou cette vapeur proviennent du liant pour joint d'étanchéité. Au bout d'environ 20 minutes, elles disparaîtront définitivement.

REMARQUE

- A. Mettez le thermostat hors fonction (OFF).
- B. Tournez le bouton de commande manuelle du gaz à la position PILOT (veilleuse).
- C. Enfoncez légèrement le bouton et tournez-le à la position OFF (arrêt).
- D. Fermez les robinets d'alimentation en gaz.

CHAPITRE III NOTICE D'UTILISATION DU RADIATEUR

1. CONSIGNES DE SECURITE

AVERTISSEMENT : Si le radiateur est utilisé sans l'apport d'air frais nécessaire, il produira du MONOXYDE DE CARBONE, un gaz toxique inodore. OUVRIRE LA FENÊTRE DE TROIS À CINQ CENTIMÈTRES (UN POUCE OU DEUX) POUR LAISSER ENTRER L'AIR FRAIS LORSQUE LE RADIATEUR EST UTILISÉ.

AVERTISSEMENT : Ce radiateur est doté d'un SYSTÈME DE SECURITE À VEILLEUSE. NE PAS MODIFIER LE SYSTÈME DE SECURITE À VEILLEUSE.

AVERTISSEMENT : Si le radiateur s'éteint, ventiler la pièce avant de le rallumer. Ouvrir la porte pendant cinq minutes. Si le radiateur s'éteint continuellement, le faire réparer. Garder le brûleur et la zone de commande propres.

AVERTISSEMENT : L'EMPISONNEMENT AU MONOXYDE DE CARBONE PEUT CAUSER LA MORT. Les signes avant-coureurs d'intoxication au monoxyde de carbone ressemblent aux symptômes de la grippe, soit maux de tête, étourdissements et nausée. Si vous ressentez ces symptômes, le radiateur ne fonctionne peut-être pas correctement. Allez immédiatement à l'air libre! Faites inspecter le radiateur.

AVERTISSEMENT : NE PAS UTILISER D'ALLUMETTES NI AUCUNE AUTRE FLAMME POUR VÉRIFIER LES FUITES.

ATTENTION : Si la couleur de la grille infrarouge s'atténue lorsque la fourniture de l'immeuble fonctionne, adressez-vous à votre fournisseur en gaz pour connaître la taille des tuyaux à utiliser pour l'alimentation en gaz. **ATTENTION :** Ce radiateur doit être utilisé à l'intérieur seulement!

REMARQUE
Le liant pour joint d'étanchéité utilisé dans ce radiateur émettra temporairement une odeur et/ou de la vapeur. Ces émanations cesseront au bout de environ 20 minutes et ne se reproduiront plus. Voir le chapitre 2 pour l'aération.

2. DÉMARRAGE DU RADIATEUR

AVERTISSEMENT : Durant le démarrage du radiateur, assurez-vous que le bâtiment est bien ventilé.

A. Ouvrez le ou les robinets d'alimentation en gaz.

B. Réglez le thermostat à la position OFF (fermé). Voir la figure 8.

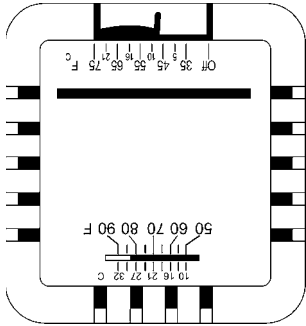


FIGURE 8. COMMANDES DU THERMOSTAT

C. Si le bouton de commande manuelle sur la soupape de gaz n'est pas à la position OFF, enfoncez-le légèrement et tournez-le à la position OFF. Voir la figure 9.

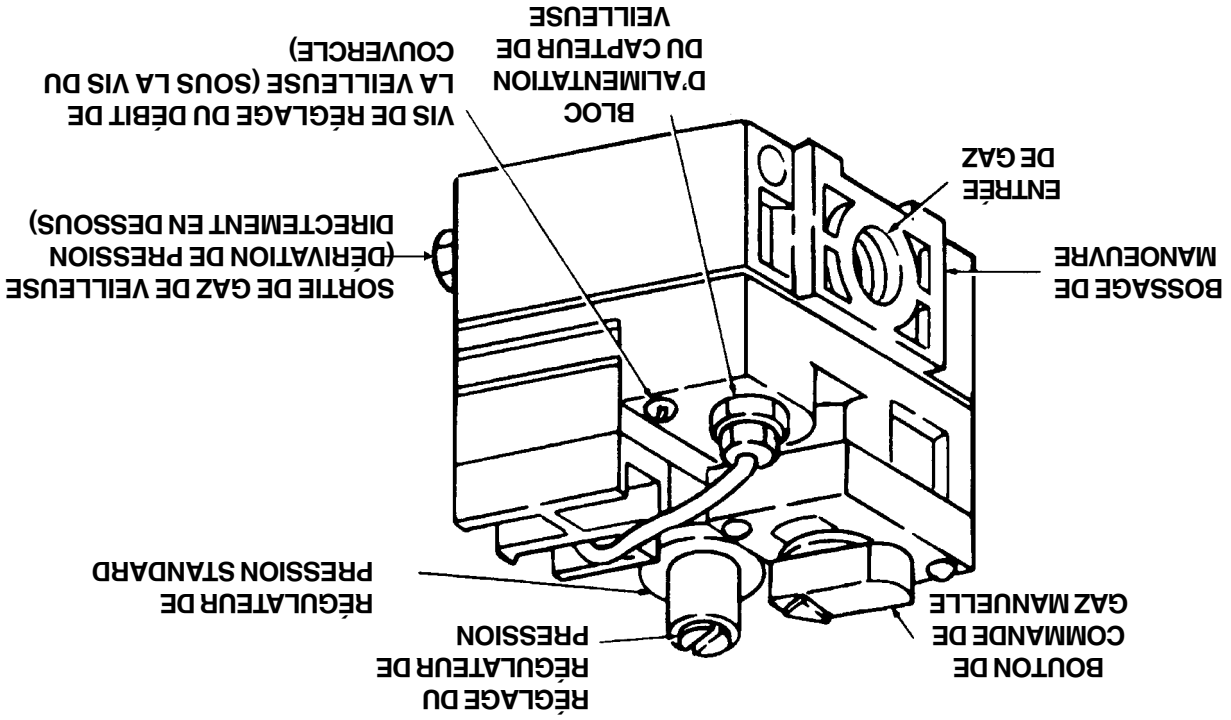
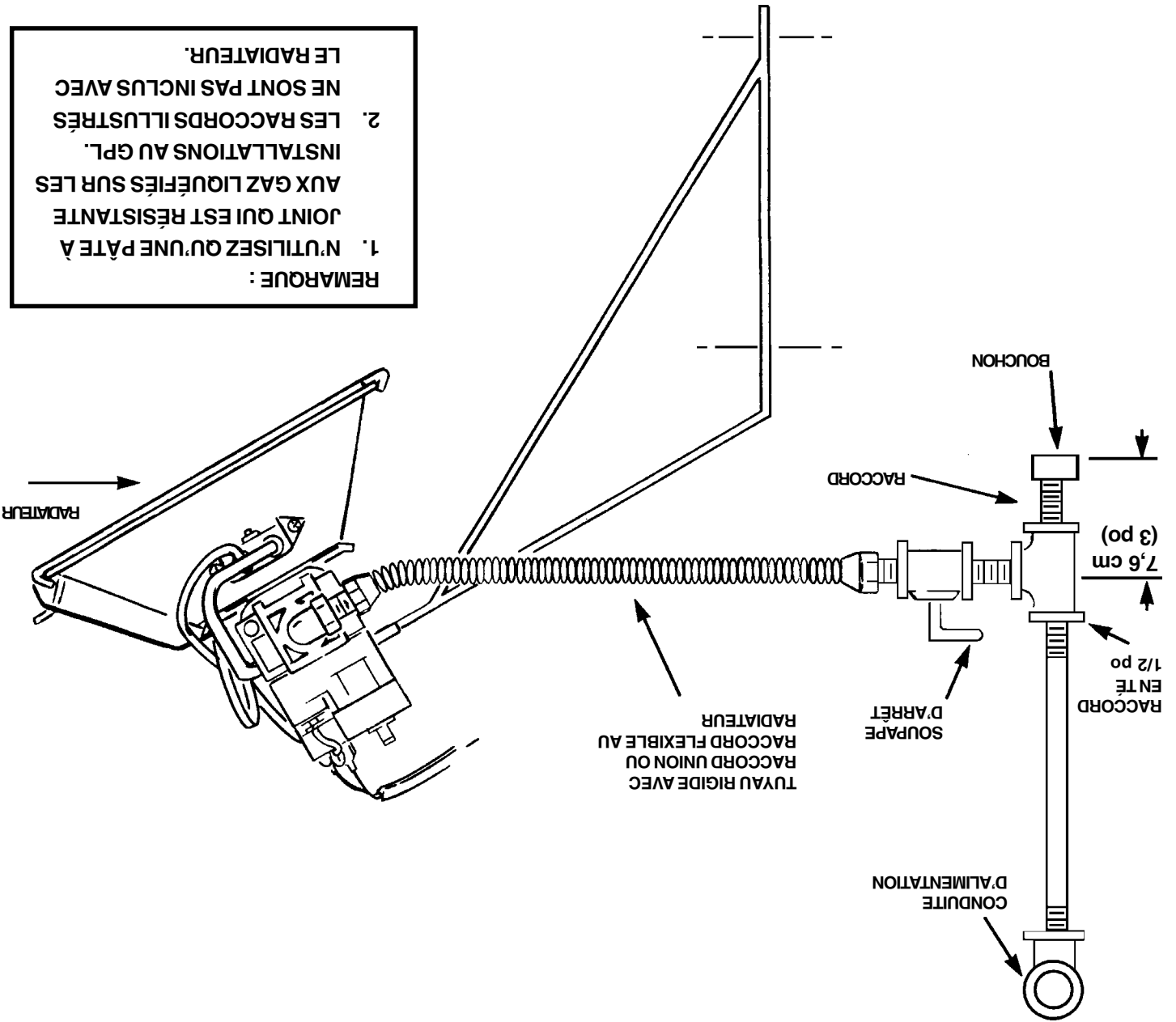


Figure 9. Composants de la soupape de gaz

Figure 7. Installation type de la tuyauterie



REMARQUE :

1. N'UTILISEZ QU'UNE PÂTE À JOINT QUI EST RÉSISTANTE AUX GAZ LIQUÉFIÉS SUR LES INSTALLATIONS AU GPL.
2. LES RACCORDS ILLUSTRÉS NE SONT PAS INCLUS AVEC LE RADIATEUR.

⚠ AVERTISSEMENT : Si les filets mâles du tuyau inséré dans la soupape de gaz ne sont pas conformes aux exigences de la figure 6, ils risquent d'entraîner une distorsion et une défaillance de la soupape de gaz.

- A. Conformément aux exigences ci-dessus pour la tuyauterie, assemblez les tuyaux, la grille à sédiments, la soupape d'arrêt et les raccords nécessaires. Serrez bien tous les composants.
- B. Installez un raccord fileté, préparé de la manière indiquée au paragraphe 3.2, dans la soupape de gaz.
- C. Raccordez la conduite de gaz au raccord installé dans la soupape de gaz.

- D. Assurez-vous que le bâtiment est bien ventilé. Sans allumer la veilleuse du radiateur, ouvrez le robinet d'alimentation en gaz et pressez les tuyaux jusqu'à la soupape de gaz du radiateur.
- E. Avec un pinceau, mettez de l'eau savonneuse sur toutes les connexions et vérifiez s'il y a des bulles indiquant une fuite. Si vous détectez une fuite, coupez l'alimentation en gaz et serrez les connexions. Testez de nouveau et serrez les connexions jusqu'à ce que toutes les fuites disparaissent.

⚠ AVERTISSEMENT : Utiliser uniquement de l'eau et du savon pour tester les conduites de gaz. Ne pas utiliser d'allumettes ni aucune flamme pour vérifier s'il y a des fuites. Si, durant un test de fuite, une odeur de gaz est détectée, couper l'alimentation en gaz et aérer le bâtiment.

AVERTISSEMENT : Le modèle MH/HS25LP est conçu pour brûler des gaz de pétrole liquéfiés (GPL) et est équipé d'un régulateur. Le régulateur est intégré à la soupape de gaz. La pression d'aspiration maximale vers ce régulateur est de 3,4 kPa (1/2 lb/po²) ou 355 mm (14 po) CE. Si la pression de la conduite de gaz excède 3,4 kPa (1/2 lb/po²), un régulateur additionnel doit être installé avant le radiateur/régulateur pour réduire la pression à un maximum de 3,4 kPa (1/2 lb/po²).

La plupart des services d'alimentation en gaz naturel fournissent une pression de canalisation de 175 mm (6,9 po) CE. En cas de doute, consultez votre fournisseur de gaz naturel. Pour obtenir un rendement optimal de votre radiateur au gaz naturel, assurez-vous que la pression d'admission est d'au moins 152 mm (6 po) CE.

AVERTISSEMENT : Le modèle MH/HS25NG est conçu pour brûler du gaz naturel et est équipé d'un régulateur. Le régulateur est intégré à la soupape de gaz. La pression d'aspiration maximale vers ce régulateur est de 3,4 kPa (1/2 lb/po²) ou 355 mm (14 po) CE. Si la pression de la conduite de gaz excède 13,4 kPa (1/2 lb/po²), un régulateur additionnel doit être installé avant le radiateur/régulateur pour réduire la pression à un maximum de 3,4 kPa (1/2 lb/po²).

Consultez les tableaux 1 et 2 pour les pressions d'alimentation en gaz minimum, maximum, de fonctionnement et d'admission pour les deux modèles de radiateurs. Les pressions sont fournies en pouces et en millimètres de CE (colonne d'eau). Consultez également les plaques signalétiques sur le radiateur.

AVERTISSEMENT : Selon les codes et exigences au niveau local et les compétences de l'installateur, celui-ci peut devoir faire appel à un professionnel pour le câblage et l'installation des conduites de gaz requises pour l'alimentation sûre et efficace du radiateur. Si vous avez des doutes quant à ces exigences, discutez des exigences du présent manuel avec le distributeur auprès duquel vous avez acheté le radiateur et votre fournisseur en gaz.

3. CONNEXION DU RADIATEUR À L'ALIMENTATION EN GAZ

Voir le Code national de l'électricité, NFPA70-1993, et, pour les installations canadiennes, le Code canadien de l'électricité en vigueur, C22.1-

Figure 4. Schéma de câblage

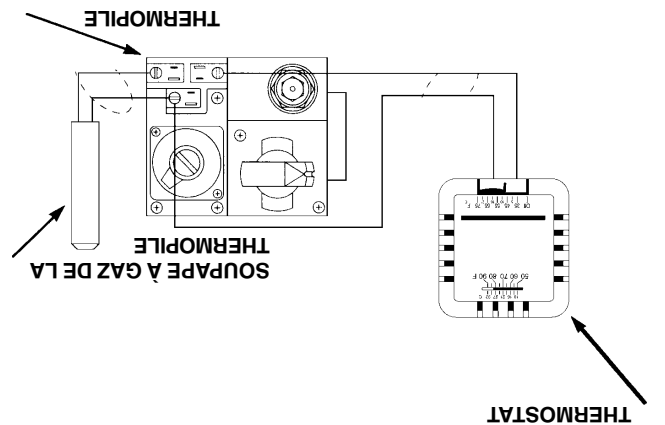
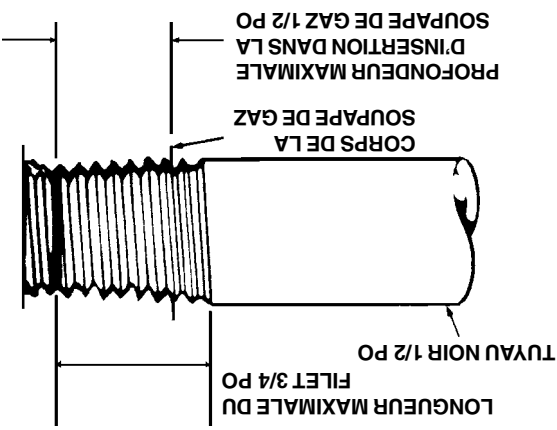


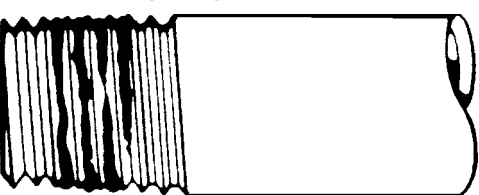
Figure 6. Exigences relatives au raccordement de la soupape de gaz



En vous assurant de respecter les exigences relatives à l'alimentation en gaz et à la tuyauterie, installez les tuyaux comme suit :

- Les filets mâles du tuyau qui sera inséré dans la soupape de gaz doivent être conformes aux exigences de la figure 6. S'ils sont plus longs que ceux de la figure, les filets peuvent entraîner la distorsion et la défaillance de la soupape de gaz.
- Une grille à sédiments conforme aux exigences types de la figure 7 doit être installée dans la conduite menant à la soupape de gaz.
- Une soupape d'arrêt du radiateur doit être installée dans la conduite d'alimentation en gaz.

Figure 5. Application de la pâte à joint



UTILISEZ UNE QUANTITÉ MODÉRÉE DE PÂTE À JOINT

- Utilisez des tuyaux noirs neufs adéquatement alésés et non ébréchés.
- Appliquez une pâte à joint de bonne qualité sur tous les filets mâles, comme il est indiqué à la figure 5, avant l'assemblage. Si le combustible est du GPL, assurez-vous que la pâte à joint résiste au GPL. N'utilisez pas de ruban TeflonMC.

3.2 Exigences relatives à la tuyauterie
Toute la tuyauterie installée doit être conforme aux codes et ordonnances locaux ou au National Fuel Gas Code, ANSI Z223.1 (NFPA 54), selon celui qui a préséance. Les exigences suivantes doivent être prises en considération lors de l'installation de la tuyauterie : les installations canadiennes doivent se conformer au code sur les gaz B149.1.2.

- Pour obtenir un rendement optimal de votre radiateur à GPL, assurez-vous que la pression d'admission est d'au moins 3,4 kPa (1/2 lb/po²) ou 355 mm (14 po) CE.

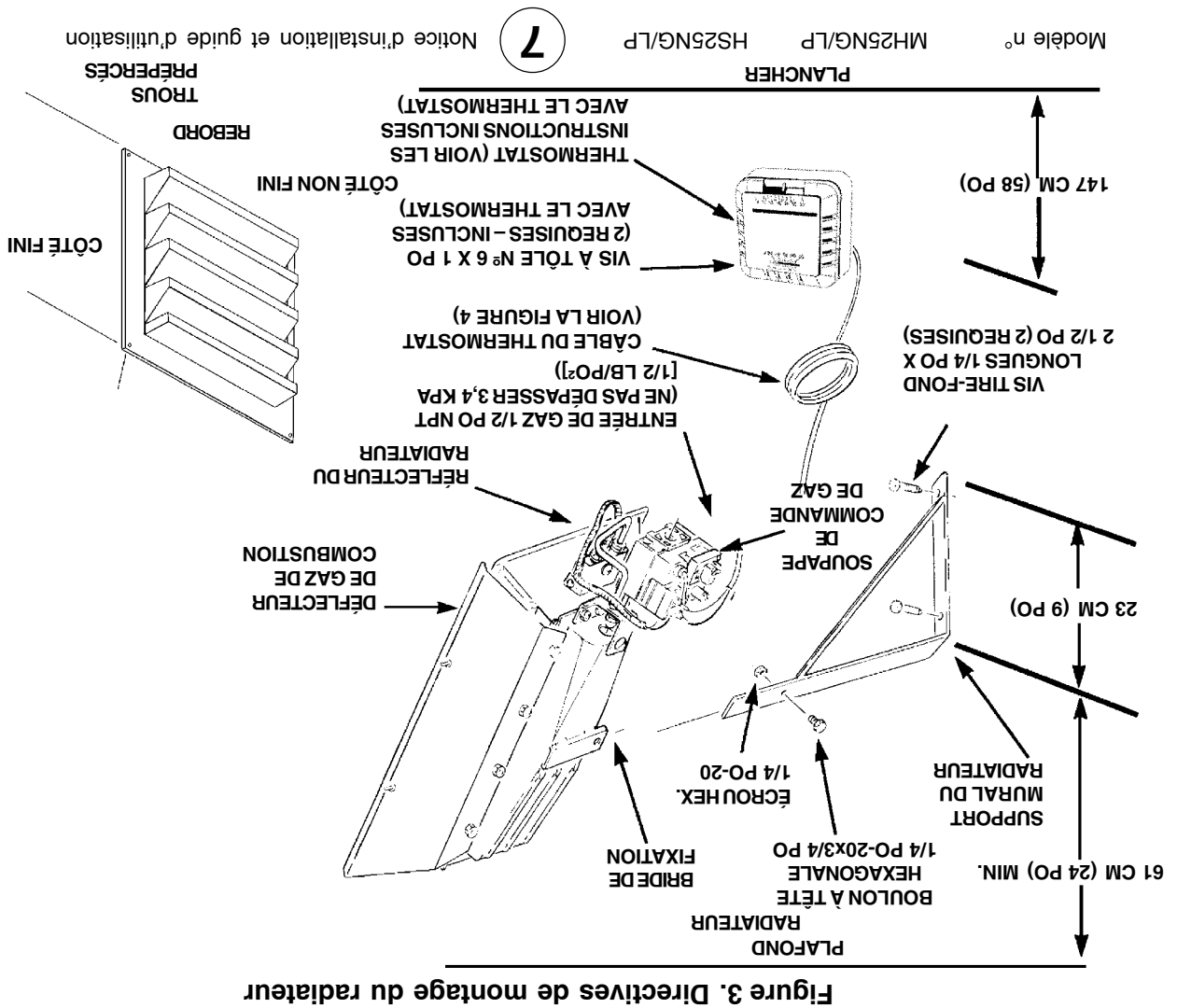


Figure 3. Directives de montage du radiateur

- B. Préparez-vous à installer le support mural du radiateur comme suit :
1. Si le support mural doit être fixé à un mur à poteaux de cloison et panneaux de revêtement, consultez la figure 3 pour les dimensions, repérez le poteau et percez des trous d'implantation de 3,2 mm (1/8 po) au centre du poteau. Utilisez le gabarit pour simplifier l'installation.
 2. Si le support mural doit être fixé à un mur de brique ou de maçonnerie, consultez la figure 3 pour les dimensions. Procurez-vous deux ancrages à expansion de 1/4 po de diamètre interne et déterminez la taille du foret à utiliser. Percez les trous appropriés pour recevoir les ancrages dans la brique ou la maçonnerie.
 - C. Placez le support mural sur le mur et alignez les deux trous du support sur les trous d'implantation ou les ancrages. Insérez des vis tire-fond de 1/4 po x 2 1/2 po par le support dans le poteau ou les ancrages. Serrez bien les vis.
 - D. Repérez la bride de fixation du radiateur à l'arrière du radiateur et sélectionnez le boulon à tête hexagonale 1/4 po x 3/4 po et l'écrou hexagonal 1/4 po – 20.
 - E. Positionnez le radiateur comme il est indiqué à la figure 3 et faites glisser la bride de fixation du radiateur sur le support mural comme il est indiqué à la figure 4.
- F. Vissez l'écrou hexagonal sur le boulon et serrez-le bien.
- G. Assurez-vous que l'emplacement choisi pour le thermostat est conforme à toutes les exigences indiquées précédemment. Reportez-vous à la documentation accompagnant le thermostat pour plus de renseignements sur la mise à la terre et les instructions de montage.
- H. S'il s'agit d'un mur à poteaux de cloison et panneaux de revêtement, utilisez des vis à tôle n° 6 de 1 po, incluses avec le thermostat, et montez le thermostat à l'emplacement sélectionné.
- I. Si le mur est en brique ou en maçonnerie, procurez-vous les ancrages appropriés en fonction des vis de montage du thermostat. Utilisez la plaque arrière du thermostat comme gabarit pour marquer l'emplacement des trous, percez des trous d'une grandeur appropriée pour les ancrages, posez les ancrages, fixez le thermostat au moyen des vis de montage.
- J. Connectez les fils du thermostat à la soupape de gaz comme il est indiqué à la figure 4.

Assurez-vous qu'aucune conduite de gaz, aucun câble électrique et aucun conduit de câble électrique n'entrevient le montage du radiateur sur le mur.

Selon les codes et exigences locaux et le niveau de compétence de l'installateur, celui-ci peut devoir faire appel à un professionnel pour le câblage et l'installation des conduites de gaz requises pour l'alimentation du

1. Voir la figure 3 pour les dimensions et d'autres renseignements sur la prise.
 2. Sélectionnez un endroit le plus haut possible conformément aux exigences ci-dessus et n'entrevient les systèmes existants du bâtiment (c.-à-d. les conduites, le câblage, la tuyauterie, etc.).
 3. Placez le côté non fini de la prise contre le mur à l'emplacement choisi et tracez ses dimensions sur le mur au moyen d'un crayon ou d'un autre marqueur approprié.
 4. Taillez un trou dans le mur (ou dans les murs si le bâtiment est fini) ayant les dimensions du côté non fini de la prise.
 5. Installez la ou les prises tel que désiré et fixez-les au moyen de 4 attaches appropriées dans les trous aménagés sur le rebord de la prise.
- A. Déterminez comment vous désirez installer la prise selon la construction du bâtiment et en fonction de vos préférences personnelles. (Par exemple, voulez-vous que le côté fini soit sur l'intérieur ou l'extérieur du bâtiment ou désirez-vous deux prises finies à l'intérieur et à l'extérieur?) Au besoin, commandez une autre prise à l'usine. Notre adresse et notre numéro de téléphone sans frais figurent à l'endos du présent guide. Installez la prise comme suit :
1. Voir la figure 3 pour les dimensions et d'autres renseignements sur la prise.
 2. Sélectionnez un endroit le plus haut possible conformément aux exigences ci-dessus et n'entrevient les systèmes existants du bâtiment (c.-à-d. les conduites, le câblage, la tuyauterie, etc.).
 3. Placez le côté non fini de la prise contre le mur à l'emplacement choisi et tracez ses dimensions sur le mur au moyen d'un crayon ou d'un autre marqueur approprié.
 4. Taillez un trou dans le mur (ou dans les murs si le bâtiment est fini) ayant les dimensions du côté non fini de la prise.
 5. Installez la ou les prises tel que désiré et fixez-les au moyen de 4 attaches appropriées dans les trous aménagés sur le rebord de la prise.

Après avoir choisi l'emplacement d'installation du radiateur et l'emplacement du thermostat, et après vous être assuré que toutes les exigences relatives à l'emplacement ont été respectées, montez le radiateur comme suit :

2. INSTRUCTIONS DE MONTAGE DU RADIATEUR

- Le thermostat doit être monté à environ 1,5 m (5 pieds) au-dessus du plancher et de façon à ce que l'air puisse circuler librement autour.
 - Le thermostat ne doit pas être monté directement sur un mur extérieur froid sans bloc de montage isolé.
 - Le thermostat ne doit pas être monté dans les courants d'air.
 - Le thermostat ne doit pas être monté directement sous le radiateur installé.
 - La distance entre le thermostat et le radiateur ne doit pas être supérieure à la longueur du câble du thermostat.
- Le choix de l'emplacement de montage du thermostat est critique pour le fonctionnement efficace et efficace du radiateur.

radiateur. Si vous avez des doutes relativement à ces exigences, discutez des exigences du présent manuel avec le distributeur auprès duquel vous avez acheté le radiateur et votre fournisseur en gaz, ou appelez le service à la clientèle au 1 800 251-0001.

- Une prise de ventilation par aspiration est fournie avec votre radiateur pour plus de commodité. Cette prise doit être située au-dessus du radiateur (préférablement au point le plus haut à l'intérieur du bâtiment. Ceux qui ont un atelier ou un bâtiment utilitaire fini peuvent se procurer une prise supplémentaire auprès de l'usine.
- Une prise d'air, ou l'équivalent, de l'extérieur du bâtiment et ayant une surface efficace de 485 cm² (75 po²) doit être aménagée sous le radiateur (préférablement à moins de 60 cm (2 pi) du plancher du bâtiment).
- Les ouvertures équivalentes à une prise d'air extérieure sont : les portes et les fenêtres partiellement ouvertes.
- Des ouvertures de 13 cm par 33 cm (5 po par 13 po) ou 8 cm par 64 cm (3 po par 25 po) empêcheront les surchauffes dangereuses au-dessus du radiateur.

Il est essentiel de permettre la libre circulation de l'air pour empêcher que la zone au-dessus du radiateur installé ne surchauffe. Si votre atelier/bâtiment utilitaire est doté d'une isolation complète (incluant les fenêtres, les portes, les ouvertures, etc.), les méthodes de ventilation suivantes doivent être respectées :

- Ce radiateur peut être monté sur n'importe quel mur; cependant, il est recommandé de l'installer au milieu du mur situé en face des portes roulantes à levage vertical, le cas échéant.
- Lors du choix des emplacements d'installation de ce radiateur, assurez-vous que les portes ou les fenêtres intérieures ou extérieures n'empêchent pas sur les distances de dégagement minimales et n'entrent pas en contact avec des composants du radiateur lorsqu'on les ouvre.
- Si une porte roulante à levage vertical est installée, vérifiez que le radiateur n'est pas installé de manière à nuire au fonctionnement de la porte et assurez-vous que les dégagements ne sont pas inférieurs aux valeurs minimales lorsque la porte est ouverte. Ne montez jamais le radiateur de manière à ce qu'il se trouve au-dessus d'une porte roulante à levage vertical ouverte.
- Dans la plupart des cas, l'infiltration d'air autour des portes d'entrée et des fenêtres non isolées fournira suffisamment d'air pour que le radiateur fonctionne de manière efficace.

CHAPITRE II INSTALLATION DU RADIATEUR

1. RENSEIGNEMENTS GÉNÉRAUX ET EXIGENCES RELATIVEMENT À L'INSTALLATION

- Les distances minimales par rapport aux surfaces combustibles sont illustrées à la figure 2 et dans le tableau 3. Comme il est indiqué à la figure 2, le devant du radiateur est installé à la distance minimale requise des surfaces combustibles et orienté vers l'espace ouvert, et les autres côtés doivent être éloignés d'au moins 40 cm (16 pouces) des surfaces combustibles.

Prévoir une distance appropriée par rapport aux matériaux combustibles, conformément au tableau 3, à l'extrémité de la commande du radiateur pour l'entretien, ainsi qu'un dégagement minimum en haut et sur les côtés pour l'apport en air de ventilation et de combustion.

Il faut une hauteur minimum de 2,4 m (8 pi) au-dessus du plancher pour les garages publics conformément à la dernière édition de la norme NFPA n° 88, ou à la figure 1, si cette hauteur est supérieure.

Les installations canadiennes dans des garages publics doivent être conformes à la dernière édition de la norme 149B.1.9 de l'ACG.

AVERTISSEMENT : Respectez les distances indiquées à la figure 2 ou sur la plaque signalétique du radiateur.

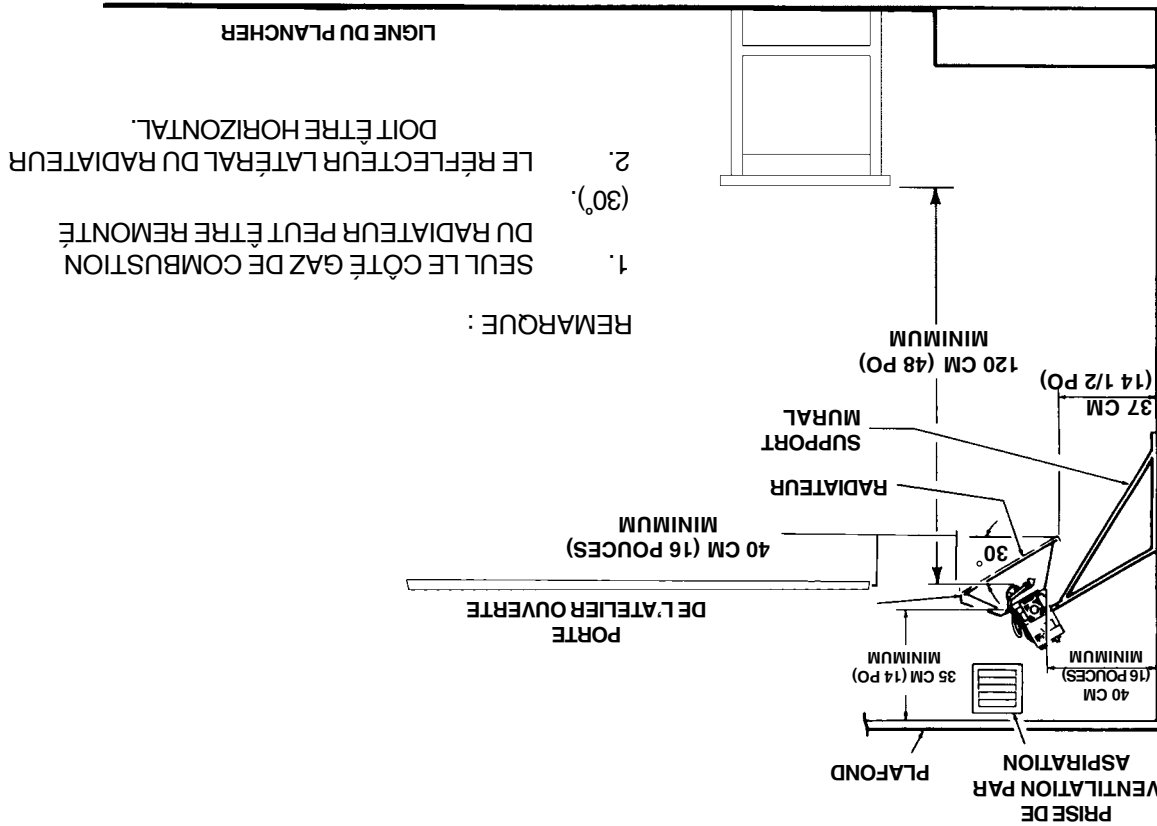


Figure 2. Distances entre l'installation et les surfaces combustibles

Tableau 3. Renseignements sur l'installation, la ventilation et le montage

MODÈLE	PUISSANCE EN BTU/H GAZ	POSITION DE MONTAGE	DISTANCE DES SURFACES COMBUSTIBLES		
			HAUT	CÔTES	ARRIÈRE
MH/HS25NG	25 000	30°	14 po	16 pouces	16 pouces
MH/HS25LP	—	30°	14 po	16 pouces	16 pouces

MODÈLE	PRESSION DE FONCTION-NEMENT	TAILLE DE L'ORIFICE	ENTRÉE	DIMENSIONS			
			LARGEUR	LONGUEUR	HAUTEUR	POIDS	
MH/SH25NG	6 po CE	45	25 000	12 1/4 po	29 3/4 po	7,0 po	20 lb
MH/SH25LP	10 po CE	55	22 000	12 1/4 po	29 3/4 po	7,0 po	20 lb

Tableau 2. Dimensions du radiateur et tailles des orifices

MODÈLE	PRESSION D'ALIMENTATION EN GAZ (CE) TAILLE DE		MIN.		MAX.		COLLECTEUR		L'ORIFICE
	NATUREL	PROPANE	NAT.	GPL	NAT.	GPL	NAT.	GPL	
MH/SH25NG	25 000	—	7,0 po	—	14 po	—	14 po	—	10 po
MH/SH25LP	—	22 000	—	—	11 po	—	14 po	—	—

Tableau 1. Puissances en BTU et pressions d'alimentation

LA PRESSION D'ENTRÉE AU RADIATEUR NE DOIT PAS DÉPASSER 3,4 KPA (1/2 LB/PO²)

- Pour plus de renseignements, communiquez avec l'usine.
- Les guides NFPA suivants sont également utiles si le radiateur doit être installé à un emplacement non prévu dans le présent manuel :
 - Numéro** NFPA 88
 - Distance par rapport aux surfaces combustibles**
 - Numéro** NFPA 409
 - Distance par rapport aux surfaces combustibles**

AVERTISSEMENT : Une installation, une modification, ou une intervention d'entretien ou de réparation inadéquates risquent d'entraîner des dommages, des blessures ou même la mort. Lisez complètement les notices d'installation, d'utilisation et d'entretien avant de procéder à l'installation, l'entretien ou la réparation de cet appareil. Pour obtenir de l'assistance ou des renseignements supplémentaires, adressez-vous à un installateur, un fournisseur de services d'entretien ou un fournisseur en gaz qualifié.

- Les installations canadiennes doivent être conformes au code sur les gaz CAN/CGA-B149.1.2 que l'on peut acheter auprès de l'Association canadienne du gaz, 55 Scarsdale Road, Don Mills (Ontario) M3B 2R3.
- Communiquez avec l'usine lorsque l'appareil doit être installé à haute altitude. L'usine offre une troussé de conversion pour haute altitude avec des instructions et une plaque signalétique.
- Une connexion pour manomètre d'essai NPT de 1/8 po est fournie sur la commande de gaz du radiateur.
- Voir les tableaux 1 et 2 pour la fiche technique du radiateur :

- Votre radiateur est complètement assemblé et testé en usine avec le type de gaz approprié et les pressions d'entrée indiquées sur la plaque signalétique.
- Avant de l'installer, inspectez le radiateur et sa boîte d'emballage pour détecter tout dommage éventuel et vérifiez qu'il ne manque aucun composant. Si le radiateur est endommagé ou si des composants sont manquants, communiquez avec votre distributeur. Voir le chapitre 5 pour une liste complète des éléments requis pour une installation sûre et efficace de ce radiateur.
- Ne tentez jamais d'alimenter le radiateur avec un combustible autre que celui qui est spécifiquement identifié sur la plaque signalétique.
- L'installation du radiateur doit être conforme à tous les règlements de construction locaux ou, en l'absence de codes locaux, au National Fuel Gas Code ANSI Z223.1 (NFPA 54). Pour obtenir ce code, adressez-vous à : Association canadienne de normalisation, 8501 East Pleasant Valley Road, Cleveland, OH 44131; ou NFPA, Battery March Park, Quincy, MA 02269.

5. RENSEIGNEMENTS GÉNÉRAUX

- Le chapitre 2 fournit les exigences et renseignements relatifs à l'installation du radiateur, par exemple : a) les distances minimales entre les composants du radiateur et les matières combustibles, b) les exigences relativement au montage du radiateur, c) les exigences en matière d'aération, d) les exigences relativement au combustible, e) le montage du thermostat.
- Le chapitre 3 décrit la mise en marche, l'utilisation et l'arrêt du radiateur.
- Le chapitre 4 fournit à l'utilisateur les directives d'entretien telles le dépannage, les réglages, le remplacement de la thermopile et les inspections.
- Le chapitre 5 donne les renseignements sur la garantie et les pièces de rechange.

CHAPITRE I INTRODUCTION

1. EQUIPEMENT

Ce radiateur est la version grand public d'un radiateur industriel à infrarouge alimenté au gaz très populaire et ayant fait ses preuves.
Ce radiateur ne requiert aucune source d'alimentation électrique externe.
La figure 1 montre une installation type du radiateur et en identifie les principaux composants. Le radiateur de base

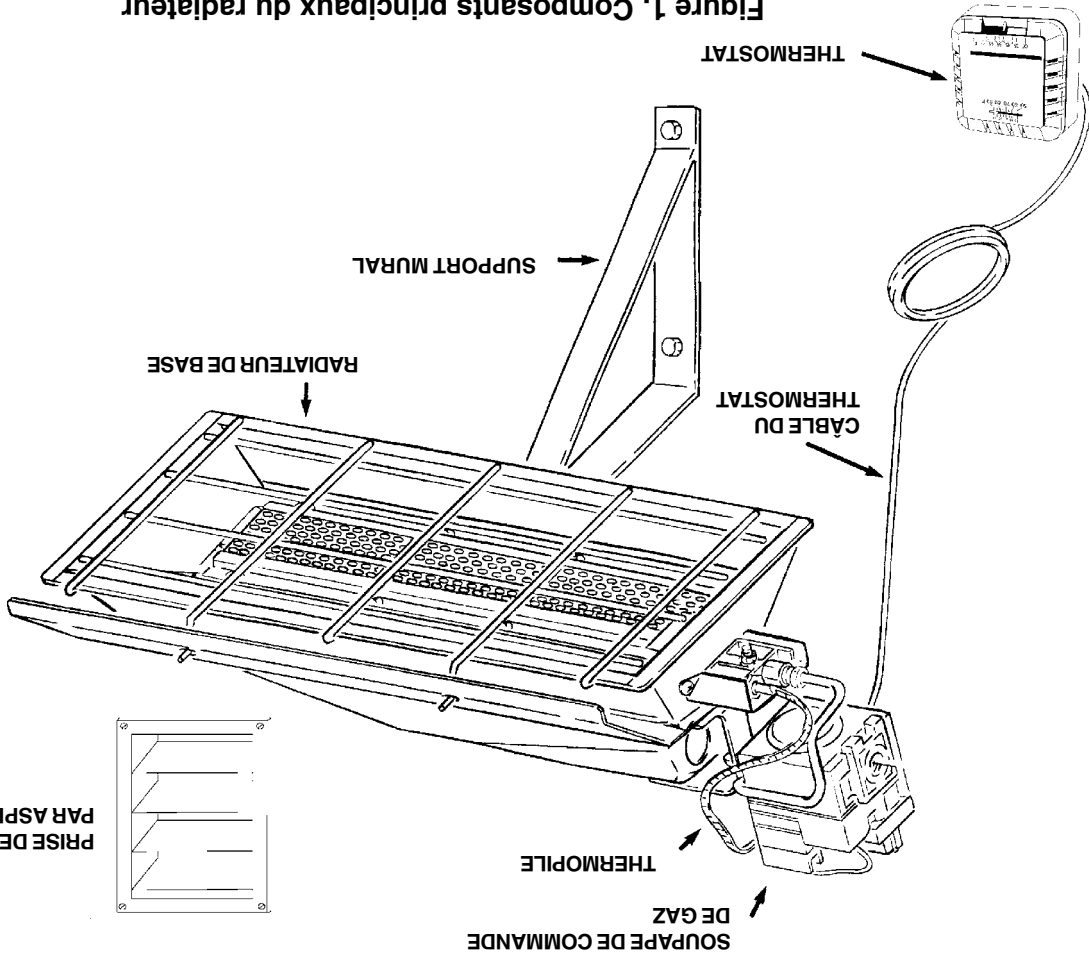


Figure 1. Composants principaux du radiateur

2. UTILISATION DE L'EQUIPEMENT

comprend l'ensemble de brûleur complet, le déflecteur de gaz de combustion, la grille, l'ensemble de réflecteur et une grille de protection.

AVERTISSEMENTS

- ⚠ Ce radiateur doit être utilisé à l'intérieur seulement.
- ⚠ Ce radiateur est conçu pour le chauffage à l'intérieur. Il ne doit pas être utilisé dans des locaux fermés de petite taille ou habités.
- ⚠ Ce radiateur d'installation facile est tout indiqué comme méthode de chauffage simple d'un bâtiment utilitaire.

3. MODELES DÉCRITS DANS LE PRÉSENT GUIDE

Le modèle MH25NG/HS25NG est indiqué lorsque le combustible prévu est le gaz naturel. Le modèle MH25LP/HS25LP est indiqué lorsque le combustible prévu est le gaz propane.

4. UTILISATION DU GUIDE

- Les méthodes et renseignements contenus dans le présent guide permettront à l'acheteur de ce radiateur de l'installer et de l'entretenir sans danger et de façon efficace.

3

Modèle n° MH25NG/LP HS25NG/LP

Notice d'installation et guide d'utilisation et sur le radiateur.

- La page couverture et la page suivante fournissent un sommaire de sécurité regroupant dans un même endroit tous les avertissements du guide.
- Une table des matières facilite la consultation des différentes parties du guide.
- Le chapitre 1 donne des renseignements généraux sur l'utilisation du présent guide

Chapitre	Titre	Page
I	Introduction	3
II	Installation du radiateur	5
III	Notice d'utilisation du radiateur	10
IV	Directives d'entretien à l'intention de l'utilisateur	12
V	Liste des pièces de rechange	15

TABLE DES MATIÈRES

REMARQUE
Le liant pour joint d'étanchéité utilisé dans ce radiateur émettra temporairement une odeur et/ou de la vapeur. Ces émanations cesseront au bout d'environ 20 minutes et ne se reproduiront plus. Voir le chapitre 2 pour l'aération.

MISE EN GARDE

- Ne jamais connecter le robinet de gaz ou le thermostat à la tension de secteur ou à un transformateur.
- Si la couleur de la grille infrarouge s'atténue lorsque la fourniture de l'immeuble fonctionne, adressez-vous à votre fournisseur en gaz pour connaître la taille des tuyaux à utiliser pour l'alimentation en gaz.
- Ce radiateur doit être utilisé à l'intérieur seulement!

Empoisonnement au monoxyde de carbone :
Les signes avant-coureurs d'intoxication au monoxyde de carbone ressemblent aux symptômes de la grippe, soit maux de tête, étourdissements et nausée. Si vous ressentez ces symptômes, le radiateur ne fonctionne peut-être pas correctement. Allez immédiatement à l'air libre! Faites inspecter le radiateur. Certaines personnes sont davantage affectées par le monoxyde de carbone que les autres. Il s'agit notamment des femmes enceintes, des personnes souffrant de problèmes cardiaques ou respiratoires ou encore d'anémie, et des personnes sous l'influence de l'alcool ou se trouvant en haute altitude.

DANGER : L'empoisonnement au monoxyde de carbone peut causer la mort.

AVERTISSEMENTS

AVERTISSEMENT : Une installation, une modification, ou une intervention d'entretien ou de réparation inadéquates risquent d'entraîner des dommages, des blessures ou même la mort. Lisez complètement les notices d'installation, d'utilisation et d'entretien avant de procéder à l'installation, l'entretien ou la réparation de cet appareil. Pour obtenir de l'assistance ou des renseignements supplémentaires, adressez-vous à un installateur, un fournisseur de services d'entretien ou un fournisseur en gaz qualifié.

AVERTISSEMENT : Si le radiateur est utilisé sans l'apport d'air frais nécessaire, il produira du MONOXYDE DE CARBONE, un gaz toxique indore. OUVRIR LA FENÊTRE DE TROIS À CINQ CENTIMÈTRES (UN POUCE OU DEUX) POUR LAISSER ENTRER L'AIR FRAIS LORSQUE LE RADIATEUR EST UTILISÉ.

AVERTISSEMENT : Ce radiateur est doté d'un SYSTÈME DE SÉCURITÉ À VEILLEUSE. NE PAS MODIFIER LE SYSTÈME DE SÉCURITÉ À VEILLEUSE.

AVERTISSEMENT : Si le radiateur s'éteint, ventiler la pièce avant de le rallumer. Si le radiateur s'éteint continuellement, le faire réparer. Garder le brûleur et la zone de commande propres. Ouvrir la porte pendant cinq minutes.

Conserver les écarts indiqués à la figure 2 ou sur la plaque signalétique du radiateur.

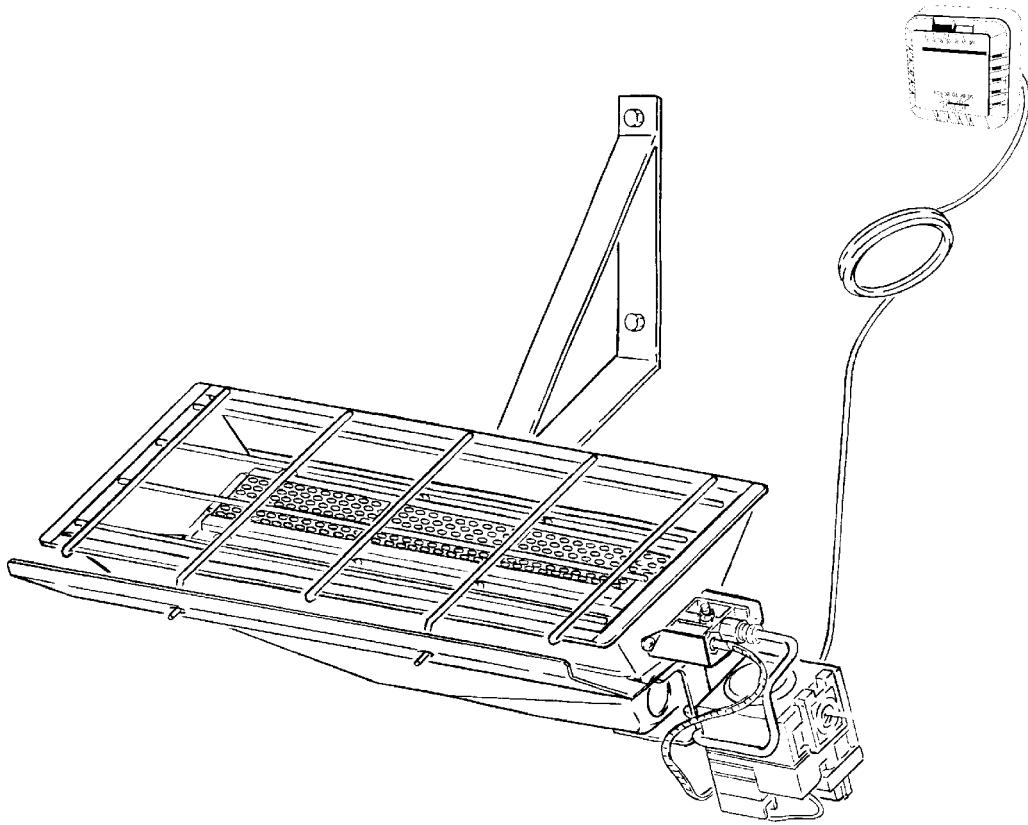
- NE PAS UTILISER D'ALLUMETTES NI AUCUNE AUTRE FLAMME POUR VÉRIFIER S'IL Y A DES FUITES.
- LA PRESSION D'ENTRÉE AU RADIATEUR NE DOIT PAS DÉPASSER 3,4 KPA (1/2 LB/PO₂).

Installateur : Laissez ce guide avec l'appareil. Consommateur : Conservez ce manuel pour référence future.

NOTICE D'UTILISATION ET GUIDE D'UTILISATION

HEATSTAR	LISEZ SOIGNEUSEMENT LES INSTRUCTIONS : Lisez et observez toutes les instructions. Conservez les instructions en lieu sûr pour vous y référer ultérieurement. Interdisez à quiconque n'ayant pas lu les présentes instructions d'assembler, d'allumer, de régler ou de faire fonctionner ce radiateur.	MODÈLE HS25NG HS25LP
		MR. HEATER

RADIATEUR D'ATELIER À INFRAROUGE ALIMENTÉ AU GAZ



AVERTISSEMENT : Le non-respect des instructions, telles qu'indiquées dans le présent guide, peut causer une explosion ou un incendie entraînant des dommages matériels ou des blessures graves, voire mortelles.

- N'entrez pas dans la zone de danger d'essence ou autres liquides ou vapeurs inflammables à proximité de ce type d'appareil.
- EN PRÉSENCE D'UNE ODEUR DE GAZ

- Coupez l'alimentation en gaz.
- Ne tentez d'allumer aucun appareil.
- Ne touchez à aucun commutateur électrique et n'utilisez aucun téléphone dans votre immeuble.
- Rendez-vous chez un voisin et appelez immédiatement votre fournisseur en gaz à partir de là. Suivez les instructions du fournisseur en gaz.
- Si vous ne pouvez pas joindre votre fournisseur en gaz, appelez le service des incendies.

- L'installation et l'entretien doivent être effectués par un installateur qualifié, une entreprise spécialisée ou le fournisseur en gaz.

AVERTISSEMENT : Ce radiateur alimenté au gaz n'est pas ventilé. Il utilise l'oxygène de la pièce où il est installé. Une circulation d'air adéquate doit être assurée pour la combustion et la ventilation. Voir la section sur l'air frais pour la combustion et la ventilation à la page 3 du présent guide.

AVERTISSEMENT : Une installation, une modification, ou une intervention d'entretien ou de réparation inadéquates risquent d'entraîner des dommages, des blessures ou même la mort. Lisez complètement les notices d'installation, d'utilisation et d'entretien avant de procéder à l'installation, l'entretien ou la réparation de cet appareil. Pour obtenir de l'assistance ou des renseignements supplémentaires, adressez-vous à un installateur, un fournisseur de services d'entretien ou un fournisseur en gaz qualifié.

Free Manuals Download Website

<http://myh66.com>

<http://usermanuals.us>

<http://www.somanuals.com>

<http://www.4manuals.cc>

<http://www.manual-lib.com>

<http://www.404manual.com>

<http://www.luxmanual.com>

<http://aubethermostatmanual.com>

Golf course search by state

<http://golfingnear.com>

Email search by domain

<http://emailbydomain.com>

Auto manuals search

<http://auto.somanuals.com>

TV manuals search

<http://tv.somanuals.com>