

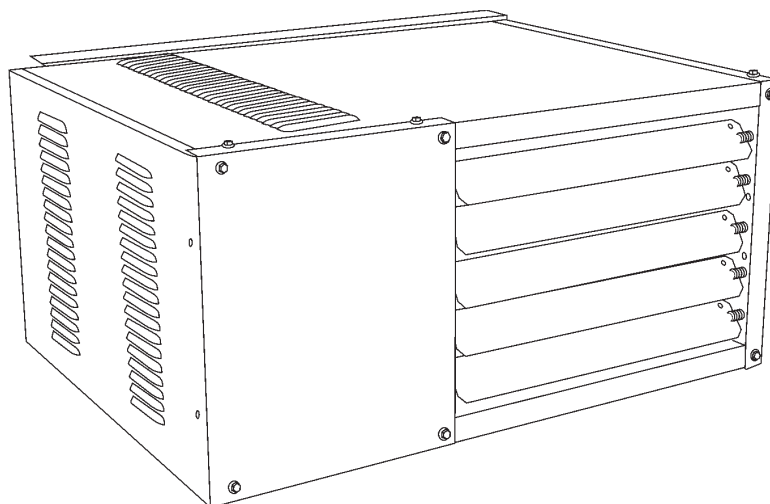


OPERATING INSTRUCTIONS AND OWNER'S MANUAL

Model #

MHU 50
MHU 80

READ INSTRUCTIONS CAREFULLY: Read and follow all instructions. Place instructions in a safe place for future reference. Do not allow anyone who has not read these instructions to assemble, light, adjust or operate the heater.



For model serial numbers, see page E16.

LANGUAGES

ENGLISH

Pages E1 — E16

SPANISH

Pages S1 — S16

FRENCH

Pages F1 — F16

COMPACT UNIT HEATER FOR COMMERCIAL USE COMPACT UTILITY HEATER FOR RESIDENTIAL USE

WARNING: Improper installation, adjustment, alteration, service or maintenance can cause injury or property damage. Refer to this manual. For assistance or additional information consult a qualified installer, service agency or the gas supplier.

WHAT TO DO IF YOU SMELL GAS

- Open Windows
- **DO NOT** try to light any appliance.
- **DO NOT** use electrical switches.
- **DO NOT** use any telephone in your house. Immediately call your local gas supplier from a neighbor's telephone. Follow the gas supplier's instructions.
- **Do not** touch any electrical switch; do not use any phone in your building.
- Installation and service must be performed by a qualified installer, service agency or the gas supplier.
- If you cannot reach your gas supplier, call the Fire Department.

FOR YOUR SAFETY:

Do not store or use gasoline or other flammable vapors and liquids in the vicinity of this or any other appliance.

WARNING: If the information in these instructions are not followed exactly, a fire or explosion may result causing property damage, personal injury or loss of life.

WARNING:

⚠ YOUR SAFETY IS IMPORTANT TO YOU AND TO OTHERS, SO PLEASE READ THESE INSTRUCTIONS BEFORE YOU OPERATE THIS HEATER.

GENERAL HAZARD WARNING:

- ⚠ FAILURE TO COMPLY WITH THE PRECAUTIONS AND INSTRUCTIONS PROVIDED WITH THIS HEATER, CAN RESULT IN DEATH, SERIOUS BODILY INJURY AND PROPERTY LOSS OR DAMAGE FROM HAZARDS OF FIRE, EXPLOSION, BURN, ASPHYXIATION, CARBON MONOXIDE POISONING, AND/OR ELECTRICAL SHOCK.
- ⚠ ONLY PERSONS WHO CAN UNDERSTAND AND FOLLOW THE INSTRUCTIONS SHOULD USE OR SERVICE THIS HEATER.
- ⚠ IF YOU NEED ASSISTANCE OR HEATER INFORMATION SUCH AS AN INSTRUCTION MANUAL, LABELS, ETC. CONTACT THE MANUFACTURER.

WARNING:

⚠ FIRE, BURN, INHALATION, AND EXPLOSION HAZARD. KEEP SOLID COMBUSTIBLES, SUCH AS BUILDING MATERIALS, PAPER OR CARDBOARD, A SAFE DISTANCE AWAY FROM THE HEATER AS RECOMMENDED BY THE INSTRUCTIONS NEVER USE THE HEATER IN SPACES WHICH DO OR MAY CONTAIN VOLATILE OR AIRBORNE COMBUSTIBLES, OR PRODUCTS SUCH AS GASOLINE, SOLVENTS, PAINT THINNER, DUST PARTICLES OR UNKNOWN CHEMICALS.

THE STATE OF CALIFORNIA REQUIRES THE FOLLOWING WARNINGS:

WARNING: Combustion by-products produced when using this product contain carbon monoxide, a chemical known to the State of California to cause cancer and birth defects (or other reproductive harm).

WARNING: This product contains chemicals, including lead, known to the State of California to cause cancer and birth defects or other reproductive harm. *Wash your hands after handling.*

CONTENTS

UNIT DIMENSIONS E-4

SHIPPING E-5

REQUIREMENTS E-5

UNIT HEATER INSTALLATION..... E-6

COMBUSTION & VENTILATION AIR..... E-6

VENTING E-6-10

ELECTRICAL CONNECTIONS E-10

GAS CONNECTION E-11

LEAK CHECK..... E-11

START-UP OPERATION..... E-11

HEATING SEQUENCE OF OPERATION E-12

IGNITION CONTROL LED..... E-12

ADJUSTMENTS..... E-12

SERVICE E-13

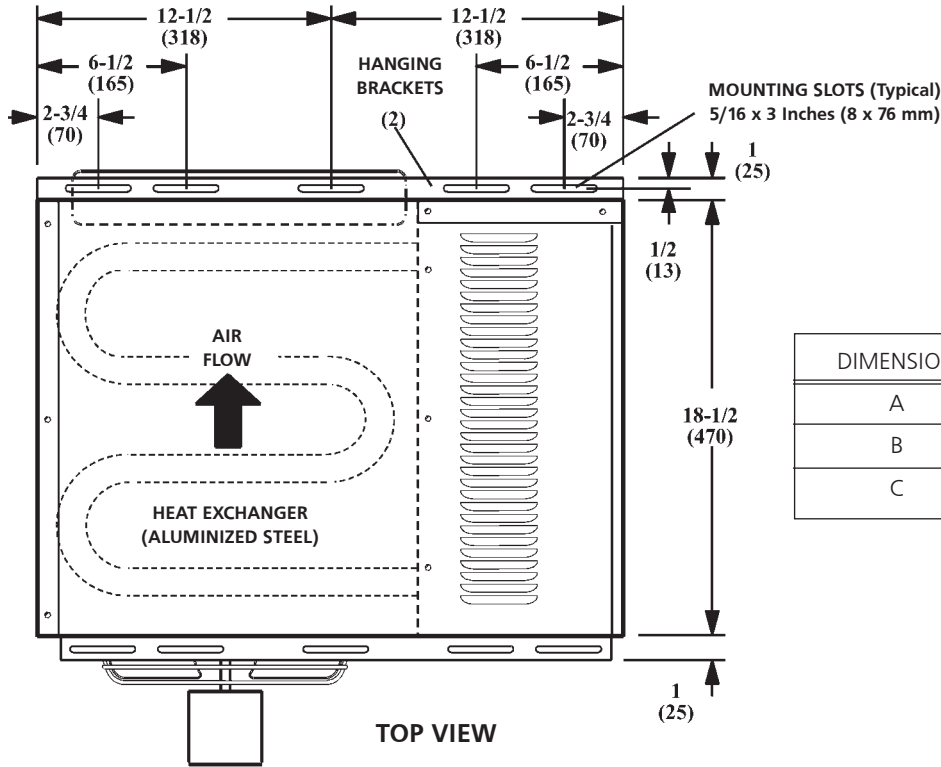
WIRING DIAGRAM..... E-13

PARTS LIST E-14

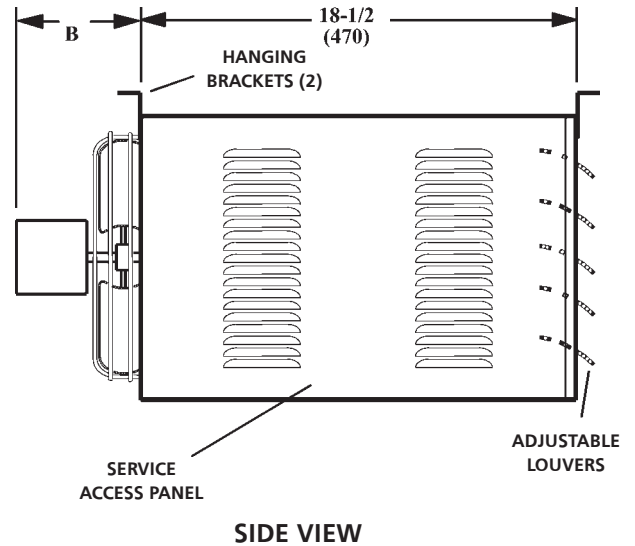
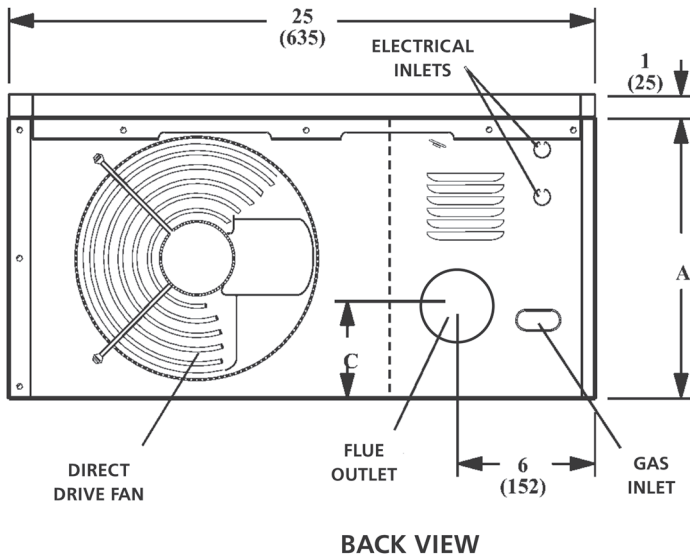
WARRANTY E-16

MHU 50/MHU 80 UNIT DIMENSIONS

(N-NATURAL GAS, P-PROPANE)



DIMENSION	50	80
A	12 (305)	17 (432)
B	5-1/2 (140)	6-1/2 (165)
C	4-1/4 (108)	6-3/4 (171)



START-UP AND PERFORMANCE CHECK LIST

Job Name: _____	Job No.: _____	Date: _____
Job Location: _____	City: _____	State/Province: _____
Installer: _____	City: _____	State/Province: _____
Unit Model No.: _____	Serial No.: _____	Service Technician: _____
Electrical Connections Tight? _____	Flue Connections Tight? _____	
Supply Voltage _____	Fan Timer Operation Checked? _____	
Gas Piping Connections Tight & Leak-Tested? _____	THERMOSTAT	
Motor Amps _____	Calibrated? _____	
Furnace Btu Input _____	Heat Anticipator Properly Set?	
Line Pressure _____	Level? _____	
Manifold Pressure w.c. _____		

SHIPPING

The heater is completely assembled. Installation instructions, two mounting brackets (shipped loose), and a flue transition are included. Check the unit for shipping damage. The receiving party should contact the last carrier immediately if any shipping damage is found.

REQUIREMENTS – CSA IN THE USA

Installation of gas unit heaters must conform with local building codes or, in the absence of local codes, with the current National Fuel Gas Code ANSI Z223.1.

Installation in aircraft hangers must be in accordance with the current Standard for Aircraft Hangers ANSI/NFPA No. 409.

Installation in parking structures must be in accordance with the current Standard for Parking Structures ANSI/NFPA No. 88A.

Installation in repair garages must be in accordance with the current Standard for Repair Garages ANSI/NFPA No. 88B.

These units are approved for residential applications. For installation in a residential garage these units must be installed so that the bottom of the heater is located no less than 8 feet (2.438m) above floor. Heater must be located or protected to avoid physical damage by vehicles. Refer to the National Fuel Gas Code, ANSI Z223.1, current edition.

Authorities having jurisdiction should be consulted before NFPA installation. Air for combustion and ventilation must conform to the methods outlined in ANSI Z223.1, section 5.3, Air for Combustion and Ventilation, or applicable provisions of local building codes. The National Fuel Gas Code is available from:

American National Standard Institute Inc.
11 West 42nd Street
New York, NY 10036

These units are CSA International design certified. These unit heaters are certified for installation to combustible material as listed in table 1 and on unit rating plate. Accessibility and service clearances must be observed in addition to fire protection clearances.

All electrical wiring and ground for unit must be in accordance with the regulations of the current National Electric Code ANSI/No. 70.

The National Electric Code is available from:

National Fire Protection Association
1 Batterymarch Park
PO Box 9101
Quincy, MA 02269-9101

**TABLE 1
UNIT CLEARANCES**

Top		Sides		Access Panel	
in	mm	in	mm	in	mm
1	25	1	25	18	457
Bottom		Rear		Single Wall Vent*	
in	mm	in	mm	in	mm
0	0	18	456	6	152

*Except for listed clearance thimbles.

REQUIREMENTS – CSA IN CANADA

The instructions are intended only as a general guide and do not supersede local codes in any way. Authorities having jurisdiction should be consulted before installation. The installation must conform with local building codes or in the absence of local codes, with the current CSA B149.1, Natural Gas and Propane Installation Code. All electrical wiring and grounding for the unit must also comply with the Canadian Electrical Code CSA C22.1, current edition.

These heaters are CSA International certified for the clearances to combustible material listed on the rating plate and **table 1**. Provide adequate clearance around air openings into the combustion chamber, clearances from combustible material, and provisions for accessibility and for combustion and ventilation air supply. Provision shall be made for service accessibility to the heater. Note that fire protection clearances may be exceeded to provide additional space for service and accessibility.

GARAGE INSTALLATIONS:

Installation in parking structures must be in accordance with the current Standard for Parking Structures ANSI/NFPA No. 88A.

Installation in repair garages must be in accordance with the current Standard for Repair Garages ANSI/NFPA No. 88B.

1. In a storage area, clearance from heaters to combustible materials must be such that the material shall not attain a temperature above 160 F by continuous operation of the unit.
2. Eight foot minimum clearance from the floor to the bottom of the heater must be maintained. Refer to the CSA B149.1, Natural Gas and Propane Installation Code

AIRCRAFT HANGER:

Installation of gas unit heaters must conform with local building codes or, in the absence of local codes, with the current National Fuel Gas Code ANSI Z223.1.

1. In an area where aircraft are housed or serviced, 10' minimum clearance from highest surface of aircraft to bottom of the heater must be maintained.
2. In other areas, 8' minimum clearance from the floor to bottom of heater must be maintained.
3. Heaters should be located so as to be protected from damage from aircraft or other appliances needed for servicing of aircraft. Refer to requirements of the enforcing authorities.

These units are certified for residential applications. For installation in a residential garage, these units must be installed so that burners and ignition source are located no less than 18" (457mm) above floor. Heater must be located or protected to avoid physical damage by vehicles. Refer to CSA B149.1, Natural Gas and Propane Installation Code current edition.

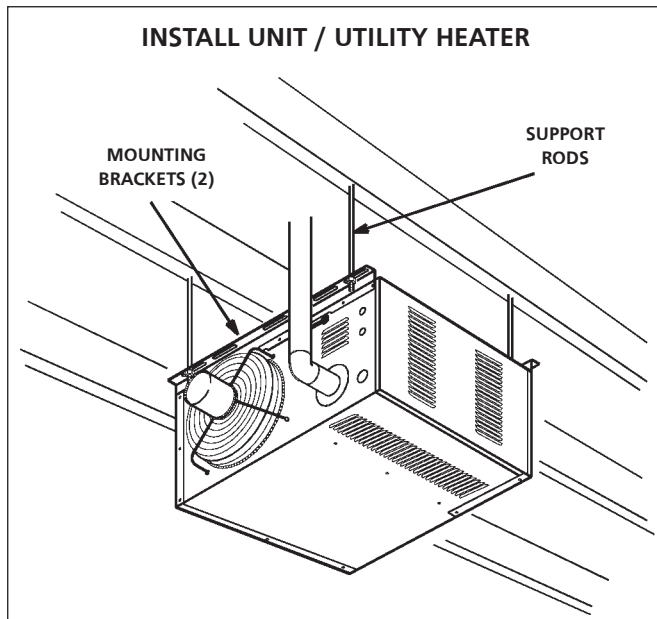
In a confined area, the heater must be installed in accordance with the CSA B149.1, Natural Gas and Propane Installation Code. Be sure to check with local codes and ordinances for additional requirements.

UNIT HEATER INSTALLATION

Unit is shipped ready for installation. Unit may be installed as shown in **figure 1** or inverted 180° depending on desired location as governed by clearances, vent connection, air direction, gas supply, electrical supply and service accessibility.

1. If installing unit in an inverted position: Remove and retain screws securing door and rotate door 180°. Secure with retained screws. Rotate louvers directing airflow as desired.
2. Choose location for mounting brackets.
3. Remove and retain three screws along top edge (bottom edge when inverted) of front of unit.
4. Align screw holes on mounting bracket with holes along top edge (either upright or inverted) of unit. Secure one mounting bracket to front of unit with retained screws. Secure other mounting bracket to back of unit with screws provided in bag assembly containing flue transition.
5. To support unit, secure mounting bracket to ceiling joist or truss. Unit may also hang on rods as shown in **figure 1**.

FIGURE 1



COMBUSTION AND VENTILATION AIR

Adequate facilities for supplying air for combustion and ventilation must be provided in accordance with the latest edition of section 5.3, Air for Combustion and Ventilation, of the National Fuel

Gas Code, ANSI Z223.1, in the U.S.A., CSA B149.1 Natural Gas and Propane Installation Code, or applicable provisions of local building codes.

All gas fired appliances require air to be used for the combustion process. In many buildings today, there is a negative indoor air pressure caused by exhaust fans, etc. If sufficient quantities of combustion air are not available, the heater or another appliance will operate in an inefficient manner, resulting in incomplete combustion which can result in the production of excessive carbon monoxide.

CAUTION Insufficient combustion air can cause headaches, nausea, dizziness, asphyxiation or death.

If indoor air is to be used for combustion, it must be free of the following substances or the life of the heat exchanger will be adversely affected: chlorine, carbon tetrachloride, cleaning solvent, halogen refrigerants, acids, cements and glues, printing inks, fluorides, paint removers, varnishes, or any other corrosives.

VENTING

A – GENERAL RECOMMENDATIONS AND REQUIREMENTS

NOTE: The vent is a passageway, vertical or nearly so, used to convey flue gases from an appliance, or its vent connector, to the outside atmosphere. The vent connector is the pipe or duct that connects a fuel-gas burning appliance to a vent or chimney.

Unit heaters must be vented in compliance with all local codes or requirements of the local utility, the current standards of the (American) National Fuel Gas Code, ANSI Z223.1 or (Canada) CSA B149.1 Natural Gas and Propane Installation Code, and the following instructions.

A metal stamped/extruded transition is supplied with this certified unit. It must not be modified or altered and must be installed on the outlet of the induced draft blower assembly prior to the installation of the vent or vent connector. Failure to comply with this requirement will void the certification of the unit by the approval agencies. All joints shall be secured with at least two corrosion resistant screws. All joints must be checked for gas tightness after installation.

TABLE 2
MAXIMUM VENT LENGTHS
HORIZONTAL VENTS

No. of Elbows	ft	m
1	25	7.6
2	20	6.1
3	15	4.6
4	10	3.0
5	5	1.5
Maximum length of vent connector not to exceed 30 ft. (9.1m).		

B – VERTICAL VENTS USING METAL VENT PIPE – COMMERCIAL AND RESIDENTIAL INSTALLATIONS

HSU compact unit heaters are listed as Category I appliances for vertical vent installations.

1. HSU unit heaters are to be used with NFPA- or ANSI-approved chimneys, U.L. listed type B-1 gas vents, single wall metal pipe, or listed chimney lining system for gas venting where applicable, as well as the modifications and limitations listed in **figure 2**. Seal single wall vent material according to the section **A - General Recommendations and Requirements**.
2. The vent connector shall be 3" (76mm) diameter on 50 units. In all cases, a flue transition piece (supplied) is required to fit over the outlet of the induced draft assembly on the appliance.
3. Keep the vent connector runs as short as possible with a minimum number of elbows. Refer to the (American) National Fuel Gas Code ANSI Z223.1 or (Canada) CSA B149.1 Natural Gas and Propane Installation Code for maximum vent and vent connector lengths. Horizontal run of the vent connector from the induced draft blower to the chimney/vent cannot exceed the values in **table 2**.
4. When the length of a single wall vent, including elbows, exceeds 5 feet (1.5m), the vent shall be insulated along its entire length with a minimum of 1/2" thick foil faced fiberglass 1-1/2# density insulation. If a single wall vent is used in an unheated area it shall be insulated. Failure to do so will result in condensation of flue gases.
5. The unit may be vented vertically as a single appliance or as a common vent with other gas-fired appliances. In common venting situations, vent connectors for other appliances must maintain a 4" (100mm) vertical separation between the vent connectors. Refer to common venting tables in the (American) National Fuel Gas Code ANSI Z223.1 or (Canada) CSA B149.1 Natural Gas and Propane Installation Code for proper vent size.
6. Clearance to combustible material is 6" (152mm) for single wall vent material except where a listed clearance thimble is used. Clearance to combustible material for type B-1 vent or factory-built chimney is per manufacturer's instructions.
7. The vent connector shall be supported without any dips or sags. Vertical vents shall be supported in accordance with their listing and manufacturers' instructions. All horizontal vent connector runs shall have a slope up to the vertical vent of at least 1/4" per foot (1mm per 50mm).
8. All vertical type B-1 vents, single wall vents, or listed chimney lining system must be terminated with a listed vent cap or listed roof assembly.
9. The vent must extend at least 3' (1m) above the highest point where it passes through a roof of a building and at least 2' (0.6m) higher than any part of a building within a horizontal distance of 10' (3.05m) unless otherwise specified by the (American) National Fuel Gas Code, ANSI Z223.1 or (Canada) CAN/CGA-B149 Installation Code. The vent must extend at least 5' (1.6m) above the highest connected equipment flue collar.

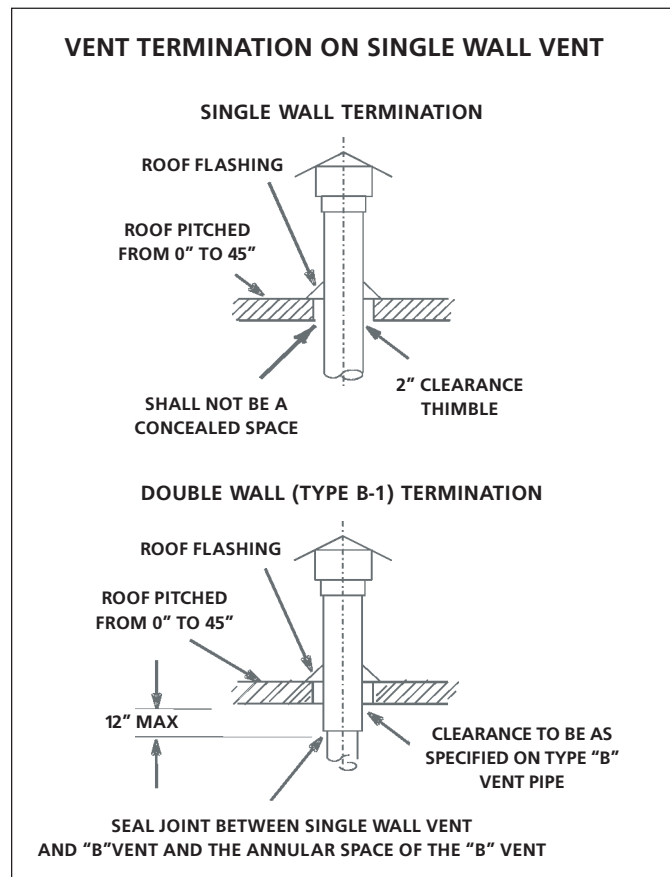


FIGURE 2

C – HORIZONTAL VENTING – GENERAL

Due to changes to Z83-8 2009 CSA2.6-2009, the use of single wall B-Vent is no longer permitted as an acceptable material when venting horizontally, this change covers both residential and commercial installations. All horizontally vented units manufactured after July of 2011 must be vented as a Category III Unit/Utility Heater in compliance with UL 1738 & UL5636. Common venting is not allowed when horizontally venting the unit heater.

The minimum horizontal vent length is three feet (914mm).

1. If possible, do not terminate the horizontal vent through a wall that is exposed to prevailing wind. Exposure to excessive winds can affect unit performance.
2. Vent termination must be free from obstructions and at least 12" (306mm) above grade level and maximum snow height.
3. Do not terminate vent directly below roof eaves or above a walkway, or any other area where condensate dripping may be troublesome and may cause some staining. Avoid windows where steam may cause fogging or ice buildup.
4. When horizontally vented, minimum clearance for termination from any door, window, gravity air inlet, gas or electric meter, regulators, and relief equipment is 4 ft. (1.2m) for U.S. installations. Refer to NFPA 54/ANSI Z223.1 in the U.S.A. and CSA B149.1 Natural Gas and Propane Installation Code and .2 in Canada or with authorities having local jurisdiction. In Canada, vent termination must have a minimum 6 ft. (1.8 m) horizontal clearance from gas and electric meters and relief devices as specified in the Canadian B149.1, Natural Gas Installation Code.

5. Vent termination must be a minimum of 4' (1.2m) below or 4' (1.2m) horizontally from any soffit vent or under-eave vent.
6. Vent must be a minimum of 6' from an inside corner formed by two exterior walls. If possible, leave a 10' clearance.
7. Vent termination must be a minimum of 10' (3m) from any forced air inlet (includes fresh air inlet for other appliances, such as a dryer).
8. When termination is routed through an exterior combustible wall the vent must be supported using a listed clearance thimble. Seal the connection between the single wall and double wall pipes and the annular space of the double wall pipe as shown in figure 2. Inside edge of vent termination tee must be at least 12 inches from outside wall as shown in figure 3.
9. For horizontal venting, the vent pipe shall be supported with hangers no more than 3ft. (1m) apart to prevent movement after installation.

D – HORIZONTAL VENTING – COMMERCIAL

1. Horizontal commercial installations are for buildings which are not attached to living spaces. The vent may be single wall vent material installed according to the sections

Venting A - General Recommendations and Requirements and **C - Horizontal Venting General** and **D - Horizontal Venting - Commercial**. Refer to **figure 3**.
2. The vent pipe diameter for horizontal commercial installations shall be 4" (76mm) on 50 units. In all cases, a flue transition piece (supplied) is required to fit over the outlet of the induced draft assembly on the appliance.

3. Refer to **table 2** for maximum vent connector lengths.
4. Select a wall termination point that will maintain " rise per foot slope of horizontal run of vent pipe.
5. For upward sloped vent a condensate tee and drain must be installed within the first 5' (1.5m) from the unit heater to protect the appliance. If a flexible condensate drain line is used, the drain line must include a loop entering the structure. If the unit is shut down for an extended period of time and will be exposed to sub-freezing temperatures, the condensate may freeze.

E – HORIZONTAL VENTING – RESIDENTIAL

1. For horizontal residential installations these units are certified as Category III appliances. **Venting A - General Recommendations and Requirements** and **C - Horizontal Venting General** and **E - Horizontal Venting - Residential**. Refer to **figure 6**.
2. The vent pipe diameter for horizontal residential installations shall be 4" (100mm) on 50 and 80 units. A standard vent transition is required at unit in addition to the transition supplied with the unit.
3. The maximum vent length is 5' (1.5m) plus one 90-degree elbow. The minimum length is 3' (.91m).
4. The vent must maintain a " rise per foot of slope upwards toward the termination.

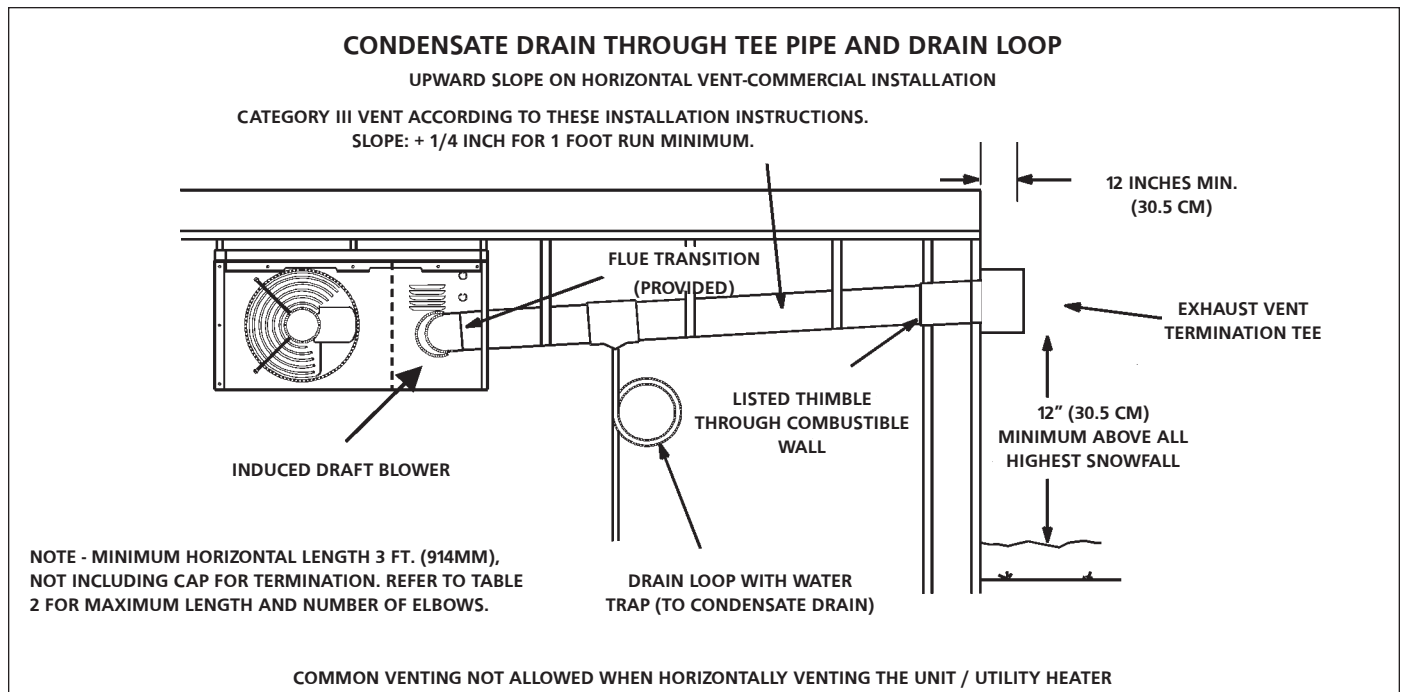


FIGURE 3

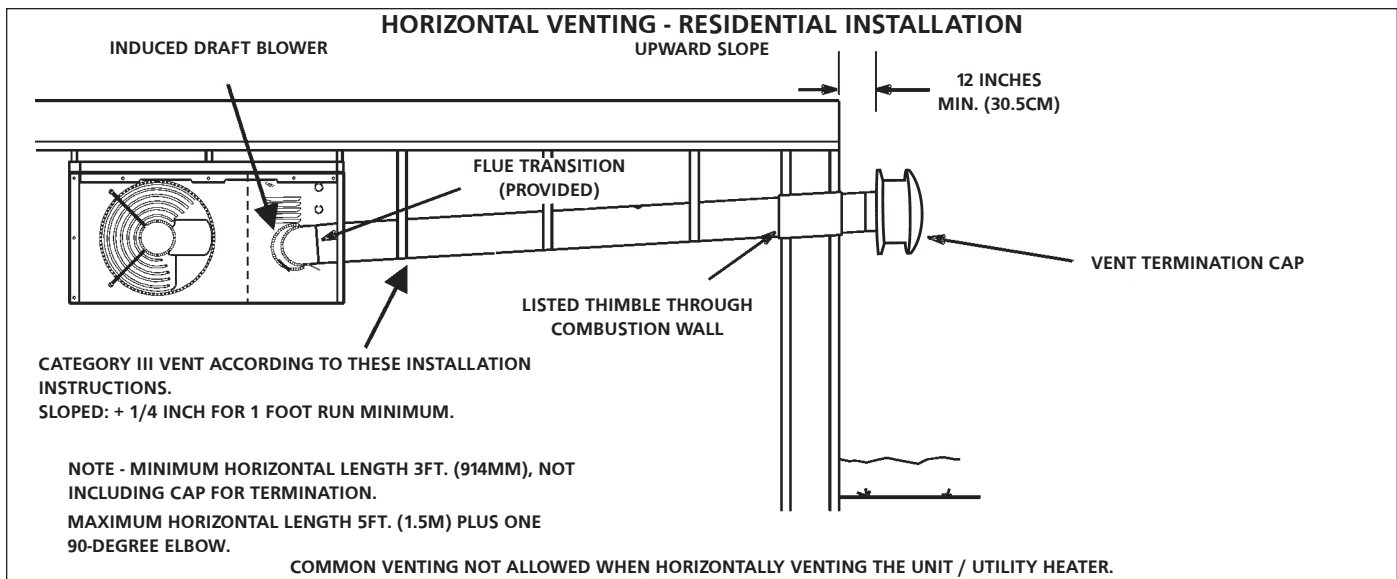


FIGURE 6

F – VENTING USING A MASONRY CHIMNEY

The following additional requirements apply when a lined masonry chimney is being used to vent the compact unit / utility heater.

1. Masonry chimneys used to vent Category I units heaters must be either tile-lined or lined with a listed metal lining system or dedicated gas vent. Unlined masonry chimneys are prohibited. A category I appliance must never be connected to a chimney that is servicing a solid fuel appliance. If a fireplace chimney flue is used to vent this appliance, the fireplace opening must be permanently sealed.
2. A fan assisted unit heater may be commonly vented into an existing lined masonry chimney provided:
 - The chimney is currently serving at least one draft-hood equipped appliance.
 - The vent connector and chimney are sized in accordance with venting tables in the (American) National Fuel Gas Code ANSI Z223.1 or (Canada) CSA B149.1 Natural Gas and Propane Installation Code.

IMPORTANT Single appliance venting of a fan assisted unit heater into a tile lined masonry chimney (interior or outside wall) is prohibited. The chimney must first be lined with either type B-1 vent or an insulated single wall flexible vent lining system, sized in accordance with venting tables in the (American) National Fuel Gas Code ANSI Z223.1 or (Canada) CSA B149.1 Natural Gas and Propane Installation Code.

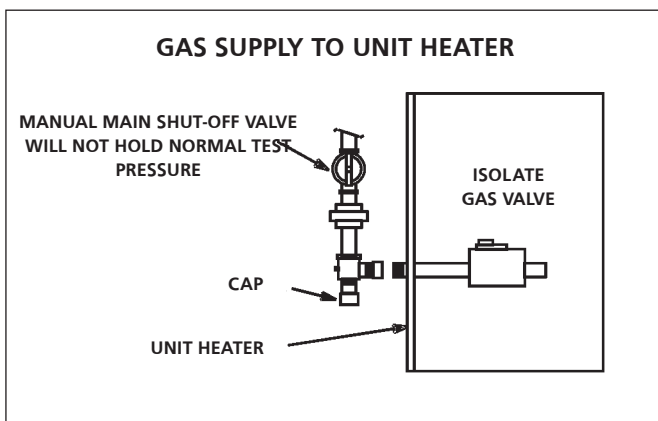
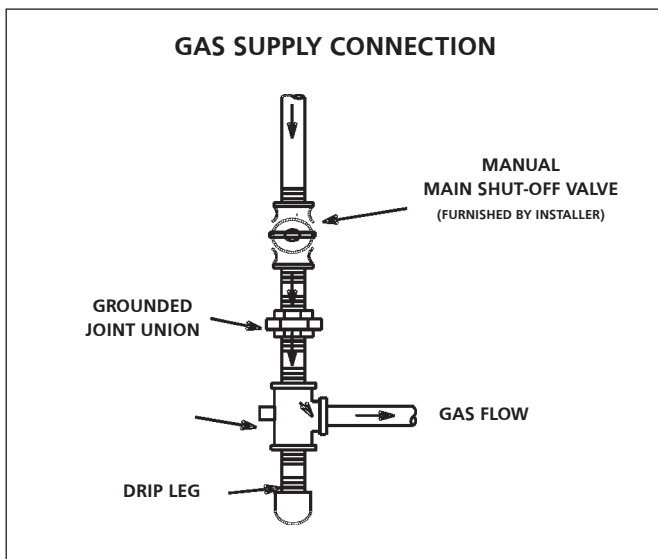
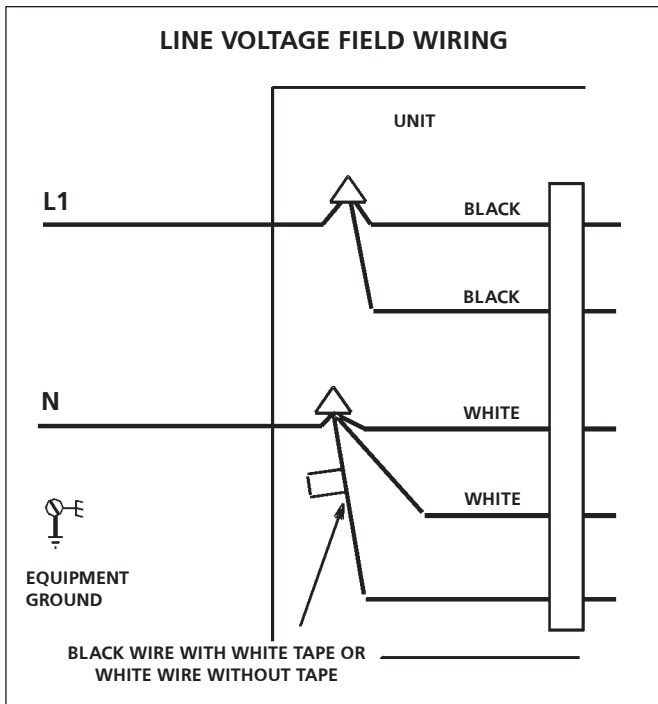
3. A type B-1 vent or masonry chimney liner shall terminate above the roof surface with a listed cap or a listed roof assembly in accordance with the terms of their respective listings and the vent manufacturer's instructions.
4. Do not install a manual damper, barometric draft regulator, or flue restrictor between the unit heater and the chimney.
5. If type B-1 double-wall vent is used inside a chimney, no other appliance can be vented into the chimney. Outer wall of type B-1 vent pipe must not be exposed to flue products.
6. Insulation for the flexible vent pipe must be an encapsulated fiberglass sleeve recommended by the flexible vent pipe manufacturer.

7. The space between liner and chimney wall should NOT be insulated with puffed mica or any other loose granular insulating material.
8. If type B-1 vent or an insulated flexible vent pipe cannot be used as liners, the chimney must be rebuilt to accommodate one of these methods or some alternate approved method must be found to vent the appliance. When inspection reveals that an existing chimney is not safe for the intended purpose, it shall be rebuilt to conform to nationally recognized standards, lined or relined with suitable materials or replaced with a gas vent or chimney suitable for venting unit heaters. The chimney passageway must be checked periodically to ensure that it is clear and free of obstructions.

G – REMOVAL OF UNIT FROM COMMON VENT

In the event that an existing unit heater is removed from a venting system commonly run with separate gas appliances, the venting system is likely to be too large to properly vent the remaining attached appliances. The following test should be conducted while each appliance is in operation and the other appliances are not in operation, yet remain connected to the common venting system. If the venting system has been installed improperly, the system must be corrected.

1. Seal any unused openings in the common venting system.
2. Visually inspect the venting system for proper size and horizontal pitch. Determine there is no blockage or restriction, leakage, corrosion, or other deficiencies which could cause an unsafe condition.
3. If practical close all building doors and windows and all doors between the space in which the appliances remaining connected to the common venting system are located and other spaces of the building. Turn on clothes dryers and any appliances not connected to the common venting system. Turn on any exhaust fans, such as range hoods and bathroom exhausts, so they will operate at maximum speed. Do not operate a summer exhaust fan. Close fireplace dampers.
4. Follow the lighting instructions. Place the appliance being inspected in operation. Adjust thermostat so appliance will operate continuously.



5. Test for spillage at the draft hood relief opening after five minutes of main burner operation. Use the flame of a match or candle, or smoke from a cigarette, cigar, or pipe.
6. After it has been determined that each appliance remaining connected to the common venting system properly vents when tested as outlined above, return doors, windows, exhaust fans, fireplace dampers and any other gas-burning appliance to their previous condition of use.
7. If improper venting is observed during any of the above tests, the common venting system must be corrected. The common venting system should be resized to approach the minimum size as determined by using the appropriate tables in Appendix G in the current standards of the National Fuel Gas Code, ANSI Z223-1 in the U.S.A. and the appropriate Category I Natural Gas and Propane appliances venting sizing tables in the current standards of the CSA B149.1 Natural Gas and Propane Installation Code in Canada.

NOTE Local codes may supersede any of the above provisions.

ELECTRICAL CONNECTIONS


NOTE: The MHU/HSU series unit/utility heaters use a direct spark ignition system. There is no pilot necessary as the spark lights the main burner as the gas valve is turned on. The direct spark ignition control board emits radio noise during burner ignition. The level of energy may be enough to disturb a logic circuit in a microprocessor controlled thermostat. It is recommended that an isolation relay be used when connecting the unit heater to a microprocessor controlled thermostat. Select circuit protection and wire size according to the unit rating plate. Install a separate disconnect switch (protected by either fuse or circuit breaker) near the unit so that power can be turned off for servicing. Remove electrical junction box cover and connect wiring through knockout on the junction box located on the side of the heater. Refer to heater wiring diagram for connection information. Use 18 gauge wire or larger for line power connections. Make sure to connect line power to wires located in the external electrical junction box behind junction box cover. **DO NOT CONNECT LINE POWER TO THERMOSTAT TERMINAL STRIP ON OUTSIDE OF HEATER.**


Electrically ground the unit in accordance with local codes or in the absence of local codes, in accordance with the current National Electrical Code (ANSI/NFPA No. 70) in the USA, and in Canada with the current Canadian Electrical Code, Part 1 CSA C22.1


NOTE: Un-insulated ground wire must be wrapped in electrical tape to avoid damage to the electrical system.


Make line voltage connections as shown in figure 7. Connect field wiring as shown on wiring diagram on unit. Also, refer to typical diagram in this manual.

An additional thermostat wire must be run to terminal g on heater when continuous blower is desired. Thermostat (optional). See wiring schematic on page E-13.

⚠ WARNING	
	Electric shock hazard. Can cause injury or death. Do not use this heater if any part has been under water. Immediately call a qualified service technician to inspect the furnace and to replace any part of the control system and any gas control which has been under water.

⚠ WARNING	
	Danger of explosion. Can cause injury or product or property damage. If over-heating occurs or if gas supply fails to shut off, shut off the manual gas valve to the appliance before shutting off electrical supply.

⚠ WARNING	
	Electric shock hazard. Can cause injury or death. Before attempting to perform any service or maintenance, turn the electrical power to unit OFF at disconnect switch(es). Unit may have multiple power supplies.

⚠ WARNING	
	Danger of explosion and fire. Can cause injury or product or property damage. You must follow these instructions exactly.

GAS CONNECTION

When connecting gas supply lines, the length of the piping run from the meter to must be considered in determining the pipe size to avoid excessive pressure drop. A line pressure of 7" WC (178mm WC) for natural gas should be maintained when sizing the piping. A line pressure of 13" WC (330mm WC) should be maintained for propane (LP) gas. For correct sizing of piping, refer to the (American) National Fuel Gas Code ANSI Z223.1, or (Canada) CSA B149.1, National Gas and Propane Installation Code or consult the utility having jurisdiction.

⚠ WARNING: TO PREVENT HEATER DAMAGE. WHEN USING A PROPANE TANK TO SUPPLY HEATER, A MINIMUM 11"W.C. LOW PRESSURE REGULATOR TO A MAXIMUM 14"W.C. LOW PRESSURE REGULATOR IS REQUIRED. THIS REGULATOR MUST BE INSTALLED BETWEEN THE TANK AND THE HEATER. Regulator not supplied with heater.	
-------------------------------------------------------------------------------------------------------------------------------------------------------------------------------------------------------------------------------------------------------------------------------------------------	--

A drip leg should be installed in the vertical pipe run to the unit. In some localities, codes may require that a manual main shutoff valve and union (furnished by installer) be installed external to the unit. Union must be of the ground joint type. A drip leg should be readily accessible to permit cleaning and emptying. See figure 8.

NOTE If a switch box is mounted over electrical knockouts on back of unit, leave a minimum of 4" (102mm) clearance between switch box and drip leg.

A 1/8" NPT plugged tap shall be installed immediately upstream of the gas supply connection to the heater.

NOTE Compounds used on threaded joints or gas piping must be resistant to the actions of Liquefied petroleum gasses.

LEAK CHECK

After gas piping is completed, carefully check all piping connections, (field and factory), for gas leaks. Use a soap solution or other preferred means.

Due to the natural heating cycles and vibration of this unit it is recommended, as part of its annual maintenance, to check these

connections for proper tightness and leak-check with a soap solution or other preferred means prior to putting into service.

CAUTION DO NOT use matches, candles, flame or other sources of ignition to check for gas leaks.

IMPORTANT The heater and its individual shut off valve must be disconnected from the gas supply piping system during any pressure testing of that system at test pressures in excess of 1/2 psig (3.45kPa).

The appliance must be isolated from the gas supply piping system by closing its individual manual gas shutoff valve during any pressure testing of the gas supply system at test pressures equal to or less than 1/2 psig (3.45kPa). See **figure 9**.

NOTE In case emergency shutdown is required, shut down main gas valve and disconnect main power to unit. These devices should be properly labeled by the installer.

START – UP AND OPERATION

UNIT START-UP

FOR YOUR SAFETY READ BEFORE LIGHTING

BEFORE LIGHTING smell all around the appliance area for gas. Be sure to smell next to the floor because some gas is heavier than air and will settle on the floor.

Use only your hand to move the gas control switch to the on position. Never use tools. Do not use excessive force to switch valve from off to on position. Force or attempted repair may result in a fire or explosion.

MHU 50/80 unit heaters are equipped with an automatic spark ignition system. There is no pilot. In case of a safety shutdown, move thermostat switch to OFF, then return the thermostat switch to HEAT position.

Should overheating occur, or the gas supply fail to shut off, shut off the manual gas valve to the appliance before shutting off the electrical supply.

GAS VALVE OPERATION FOR HONEYWELL VR8205M SERIES VALVE (FIGURE 10)

- STOP!** Read the safety information at the beginning of this section.
- Set the thermostat to lowest setting.
- Turn off all electrical power to appliance.
- This appliance is equipped with an ignition device which automatically lights burner. **DO NOT** attempt to light the burners manually.
- There is a black rotary switch knob that can be moved between the on and off position. Rotate the switch knob to the off position. (See Figure 10)
- Wait five minutes to clear out any gas. If you then smell gas, **STOP!** Immediately call your gas supplier from a neighbor's phone. Follow the gas supplier's instructions. If you do not smell gas go to next step.
- Rotate the black switch knob to ON.
- Turn on electrical power to unit.
- Set the thermostat to desired setting.
- The combustion air blower will start. The burners will light within 40 seconds.

11. If unit does not light first time (gas line not fully purged) it will attempt up to two more ignitions before locking out.
12. If lockout occurs, repeat steps 1 through 9.
13. If appliance still will not operate, follow the instructions "TO TURN OFF GAS TO UNIT" and call your service technician or gas supplier.

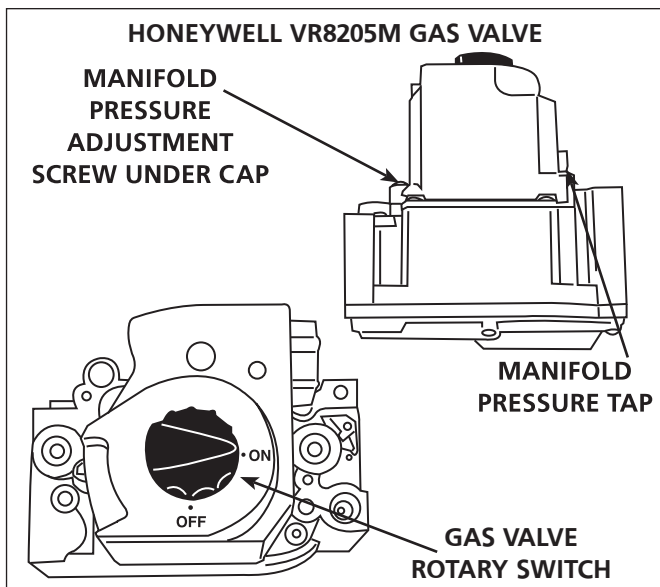


FIGURE 10

TO TURN OFF GAS TO UNIT

1. Set thermostat to lowest level.
2. Turn off all electrical power to unit if service is to be performed.
3. Rotate black knob to OFF position.

HEATING SEQUENCE OF OPERATION

1. When the thermostat calls for heat, the combustion air blower starts immediately.
2. Combustion air pressure switch proves blower operation before allowing power to the ignition controller. This switch is factory set and no adjustment is necessary.
3. After pre-purge of approximately 30 seconds, the spark ignition is energized and the solenoid valves open in the gas valve.
4. The spark then ignites the gas, the ignition sensor proves the flame and the combustion process continues.
5. In the event that the flame is not detected after the first 10-second trial for ignition, the controller will repeat steps 3 and 4 an additional two times before locking out the gas valve. Ignition control will then automatically repeat steps 3, 4, and 5 after 60 minutes.

To interrupt the 60-minute lockout period, move thermostat from "Heat" to "OFF" then back to "HEAT." Heating sequence then restarts at step 1.

6. The burners shall light without noticeable crossover delay. There shall be no flame lifting from the burner heads,

flashback or burning within the burner. The flames shall be predominantly blue in color and shall be approximately centered in the tubes with no apparent impingement taking place.

7. The ignition control will energize the fan approximately 45 seconds after ignition is established.
8. After the thermostat demand is satisfied the gas valve is closed; 5 seconds after the demand is satisfied the combustion air blower is shut off.
9. The control center shall shut off the system fan approximately 150 seconds after the gas valve is de-energized.

IGNITION CONTROL LED

The ignition control board contains a green LED which indicates the following:

LED	UNIT OPERATION
Slow Flash*	Normal Operation - No call for heat
Fast Flash	Normal Operation - Call for heat Current signal at FLAME terminal 0.6 to 1.0 microamps
2 Flashes	System lockout - failed to detect or sustain flame Current signal at FLAME terminal <0.6 microamps
3 Flashes	Pressure switch failed closed before CAB is energized or failed open after CAB is energized
4 Flashes	High limit or rollout switch open
5 Flashes	Flame sensed and gas valve not energized
Steady Off	Loss of power
Steady On	Ignition control failure

*When thermostat is placed in continuous fan mode LED will slowly flash.

TABLE 3
IGNITION CONTROL LED

ADJUSTMENTS

HIGH ALTITUDE

Units may be fired at full input up to 2000 ft. (610m) above sea level. Above 2000 ft. (610m), manifold pressure must be adjusted on some units. Adjust pressure regulator to pressure shown in **table 4** for natural gas and **table 5** for LP/propane gas.

GAS FLOW

To check for proper gas flow to the combustion chamber, determine the Btu input from the appliance rating plate. Divide this input rating by the Btu per cubic feet of available gas. Result is the required number of cubic feet per hour. Determine the flow of gas through the gas meter for two minutes and multiply by 30 to get the hourly flow of gas.

GAS PRESSURE

1. Check gas line pressure with unit firing at maximum rate. A minimum of 5.0" w.c. for natural gas or 10.9" w.c. for LP/propane gas should be maintained for proper unit operation.
2. After line pressure has been checked and adjusted, check manifold pressure. Correct manifold pressure is shown on the unit rating plate. See **figure 10** for gas pressure adjustment screw location. A natural gas to LP/propane gas changeover kit is required to convert unit. Refer to installation instructions provided with changeover kit for conversion procedure.

TABLE 4

NATURAL GAS MANIFOLD PRESSURES - IN.WG. (KPA)

MHU 50/80	ALTITUDE FT. (M)	
	0-2000 (0-610)	2000-4500 (610-1370)
50/80	4.0"WC (0.99 kPa)*	3.6"WC (0.89 kPa)
*No adjustment required.		

TABLE 5

LP/PROPANE GAS MANIFOLD PRESSURES - IN.WG. (KPA)

MHU 50/80	ALTITUDE FT. (M)	
	0-2000 (0-610)	2000-4500 (610-1370)
50/80	10.5"WC (2.62 kPa)*	8.5"WC (2.12 kPa)
*No adjustment required.		

LIMIT CONTROL

The limit control switch is factory set and not field adjustable.

LOUVER VANE ADJUSTMENTS

Rotate louver vanes to direct airflow upward, downward, straight, or any combination of these directions. When unit is installed in an inverted position, louvers may be positioned in the same manner.

COMBUSTION AIR PRESSURE SWITCH

This pressure switch checks for proper combustion air blower operation before allowing an ignition trial. The switch is factory set and no field adjustment is necessary.

FLAME ROLLOUT SWITCH

The flame rollout switch(es) are located on the burner box top, behind the ignition control board. This normally closed switch opens on a temperature rise. Check for adequate combustion air before manually resetting switch.

SERVICE

CAUTION Turn off gas and electrical power to unit before performing any maintenance or service operations on this unit. Remember to follow lighting instructions when putting unit back into operation after service or maintenance.

If any of the original wire as supplied with the appliance must be replaced, it must be replaced with wiring material having a temperature rating of at least 105 C.

Do not use this appliance if any part has been under water. Immediately call a qualified service technician to inspect the appliance and replace any gas control which has been under water.

BURNERS

1. Periodically examine burner flames for proper appearance during the heating season.
2. Before each heating season examine the burners for any deposits or blockage that may have occurred.
3. Clean burners as follows:
 - Turn off both electrical and gas supplies to unit.
 - Disconnect gas supply piping, high tension and sensor leads. Remove gas manifold. Remove burner tray.
 - Clean burners as necessary. Make sure that burner heads line up properly to ensure flame crossover. Check spark gap on electrode and adjust if required. The gap should be between 0.110 inch and 0.140 inch (2.79mm to 3.56mm). The gap may be checked with appropriately sized twist drills or feeler gauges.
 - Reinstall burner tray, gas manifold, high tension and sensor leads. Reconnect gas supply piping.
 - Restore electrical power and gas supply. Follow lighting instructions to light unit. Check burner flame.
4. Clean burner filter screen as follows:
 - Turn off both electrical and gas supply to unit.
 - Remove the filter screen from the inlet to the burner housing by squeezing and pulling out.
 - With screen out of the heater, clean with light soap and water or blow out with compressed air (blowing away from you).
 - Dry screen thoroughly with air and make sure all air passages in the screen are fully opened.
 - Replace screen into burner housing opening.
 - Restore electrical and gas supply.
 - Follow lighting instructions to light the heater. Check burner flame.

FLUE PASSAGEWAY AND FLUE BOX

The flue passages and flue box should be inspected and cleaned prior to each heating season. The sequence of operation should be as follows:

1. Turn off both electrical and gas supply to unit.
2. Disconnect combustion air blower wiring.
3. Remove screws securing flue box to unit. Remove flue box. If necessary, remove blower assembly from flue box. Clean flue box with wire brush.
4. Remove turbulator retention bracket and turbulators. Clean turbulators with wire brush.
5. Remove burners as described in section "BURNERS" section.
6. Clean tubes with a wire brush.
7. Reassemble unit. The combustion air and flue box gaskets should also be replaced during reassembly.
8. Restore electrical power and gas supply. Follow lighting instructions to light unit. Check operation of unit.

COMBUSTION AIR BLOWER

Under normal operating conditions, the combustion air blower should be checked and cleaned prior to the heating season with the power supply disconnected. Use a small brush to clean blower wheel.

TYPICAL MHU 45, 50, 75 AND 80 WIRING DIAGRAM

⚠ MAXIMUM LOAD NOT TO EXCEED
20VA AT 24V, CLASS 2

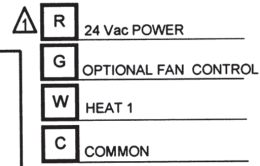
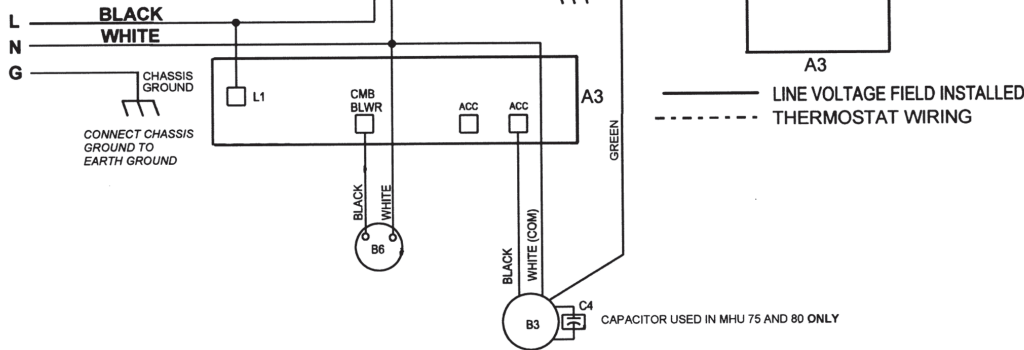
⚠ (2) S47 USED IN MHU
75 AND 80 ONLY

NOTE-
IF ANY WIRE IN THIS APPLIANCE IS REPLACED,
IT MUST BE REPLACED WITH WIRE OF LIKE
SIZE, RATING AND INSULATION THICKNESS.

WARNING-
ELECTRIC SHOCK HAZARD CAN CAUSE INJURY
OR DEATH. UNIT MUST BE GROUNDED IN
ACCORDANCE WITH NATIONAL AND LOCAL
CODES.

DISCONNECT ALL POWER
BEFORE SERVICING!

KEY	DESCRIPTION	COMPONENT
A3	CONTROL BOARD (PCB)	
B3	MOTOR - CIRCULATION	
B6	MOTOR-COMBUSTION AIR INDUCER	
C4	CAPACITOR-BLOWER MOTOR 1	
DL36	RELAY-DELAY (N/A TO THESE MODELS)	
GV1	VALVE-GAS	
S10	SWITCH - PRIMARY GAS	
S18	SWITCH-COMB AIR BLWR	
S47	SWITCH-FLAME ROLLOUT	
T1	TRANSFORMER-CONTROL	



Red
White

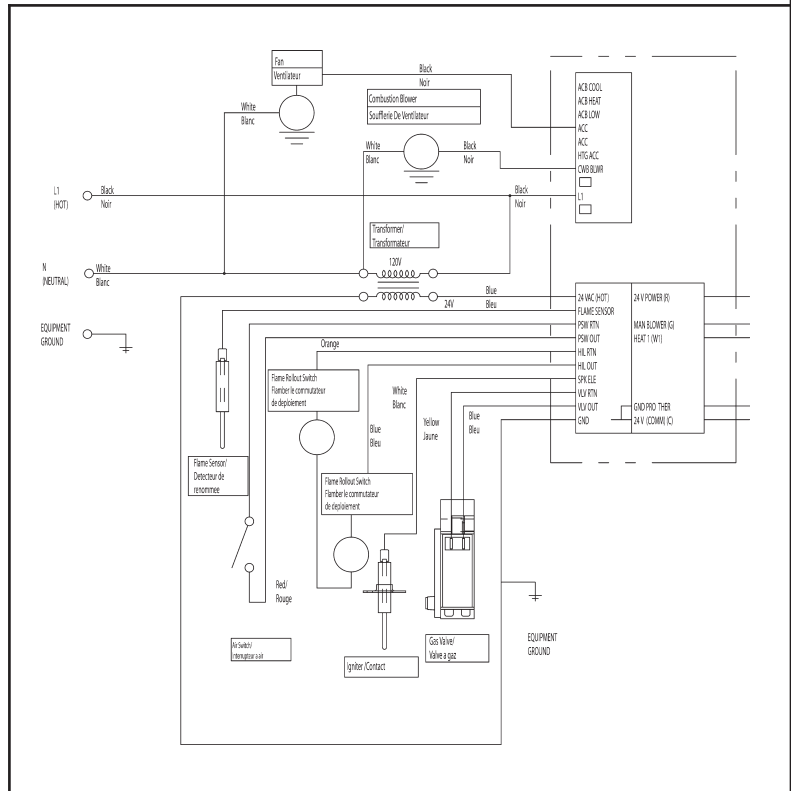
OPTIONAL THERMOSTAT INSTALLATION

IT IS RECOMMENDED TO USE
18AWG WIRE WHEN INSTALLING
THE THERMOSTAT. CONNECT
THERMOSTAT WIRING TO
TERMINALS 'R' AND 'W' AS
ILLUSTRATED ON THE SCHEMATIC
DIAGRAM.

NOTE: THERMOSTAT TERMINAL
CONNECTIONS ARE MOUNTED ON
THE BACK PANEL OF THE HEATER.

**EXTERNAL THERMOSTAT
TERMINAL STRIP WARNING: DO
NOT CONNECT LINE POWER TO
THE THERMOSTAT TERMINAL
STRIP.**

LADDER DIAGRAM



ELECTRICAL

1. Check all wiring for loose connections.
2. Check for correct voltage at unit (unit operating).
3. Check amperage draw.

FLUE AND CHIMNEY

Check all vent and vent connector joints for tightness. Ensure that connections are sealed and that there are no blockages.

FAILURE TO OPERATE

If unit fails to operate check the following:

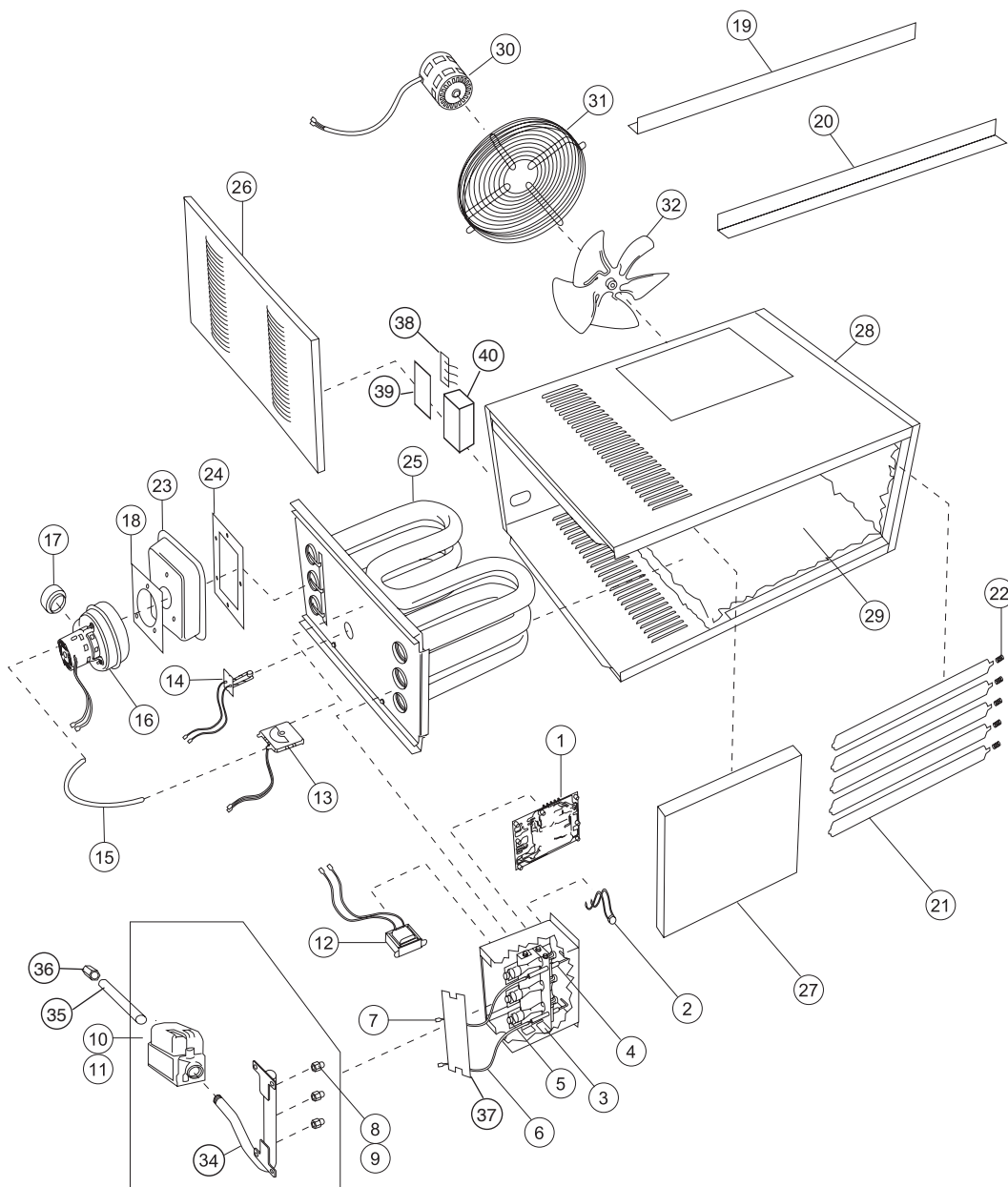
1. Is thermostat calling for heat?

2. Is main disconnect closed?
3. Is there a breaker tripped or a fuse blown?
4. Is gas turned on at meter?
5. Is manual shutoff valve open?
6. Is unit ignition system in lock out? If unit locks out again, call service technician to inspect unit.
7. Is pressure switch closed? Obstructed flue will cause unit to shut off at pressure switch. Check flue passage and outlet.

REPAIR PARTS

When ordering repair parts include the complete unit model number listed on the unit rating plate. For example: HSU50/80.

HeatStar • Compact Unit / Utility Heater • Model # MHU 50/80



PARTS LIST:

SEE BACK PAGE FOR PARTS ORDERING INFORMATION

REF #.	DESCRIPTION	50 ITEM #	QUANTITY	80 ITEM #	QUANTITY
1.....	CIRCUIT BOARD	60105	1	S/A.....	1
2.....	LIMIT SENSOR	60022	1	60021	2
3.....	ELECTRODE IGNITER	60139	1	S/A.....	1
4.....	ELECTRODE SENSOR	60141	1	S/A.....	1
5.....	BURNER	60155	3	60191	5
6.....	IGNITION LEAD	60045	1	S/A.....	1
7.....	SENSOR LEAD	60046	1	S/A.....	1
8.....	ORIFICE (NAT)	60049	3	S/A.....	5
9.....	ORIFICE (LP)	60156	3	S/A.....	5
10.....	GAS VALVE (NAT)	60128	1	S/A.....	1
11	GAS VALVE (LP)	60129	1	S/A.....	1
12	TRANSFORMER	60025	1	S/A.....	1
13	PRESSURE SWITCH	60147	1	60146	1
14	HI LIMIT SENSOR HEAT EXCH.	60015	1	S/A.....	1
15.....	PRESSURE SWITCH TUBE	60031	1	S/A.....	1
16.....	INDUCED DRAFT MOTOR	60020	1	S/A.....	1
17	VENT ADAPTER	60130	1	60140	1
18.....	INDUCED DRAFT MOTOR GASKET.....	60157	1	S/A.....	1
19.....	BACK BRACKET	60075	1	S/A.....	1
20.....	FRONT BRACKET	60080	1	S/A.....	1
21	LOUVERS	60100	5	S/A.....	7
22.....	LOUVER SPRING	60103	5	S/A.....	7
23.....	FLUE BOX	60189	1	60190	1
24.....	FLUE BOX GASKET.....	60090	1	60092	1
25.....	HEAT EXCHANGER	60065	1	60068	1
26.....	ACCESS DOOR	60070.....	1	60072	1
27.....	FRONT	60095	1	60097	1
28.....	SIDE DOOR	60110	1	60112	1
29.....	WRAPPER	60115	3	60117	3
30.....	FAN MOTOR.....	60055	1	60054	1
31	FAN GUARD	60120	1	60122.....	1
32.....	FAN ASSEMBLY	60125	1	60127	1
33*.....	CAPACITOR STARTER	28788	1
34.....	MANIFOLD.....	60062	1	60064.....	1
35.....	INLET PIPE.....	60132	1	S/A.....	1
36.....	INLET FITTING	60131	1	S/A.....	1
37.....	BURNER SCREEN	60142	1	S/A.....	1
38.....	THERMOSTAT TERMINAL.....	60144	1	S/A.....	1
39.....	WIRING JUNCTION BOX	60159	1	S/A.....	1
40.....	COVER, WIRING JUNCTION BOX	60160.....	1	S/A.....	1
Not Shown	GAS VALVE BRACKET.....	60158	1	S/A.....	1

*Not Shown

Optional Installation Components

24V THERMOSTAT	F210359
4" VERTICAL VENT KIT (80).....	F102848
3" VERTICAL VENT KIT (50).....	F102840
4" HORIZONTAL STAINLESS STEEL VENT KIT (80)	F102860

Gas Conversion Kits

Natural Gas to Liquid Propane

MHU 50/80	50,000 and 80,000 BTU	F260163
-----------	-----------------------------	---------

Liquid Propane to Natural Gas

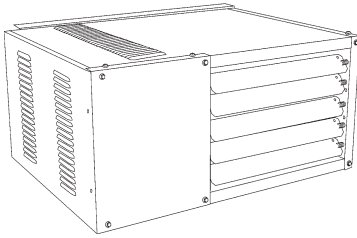
MHU 50/80	50,000 and 80,000 BTU	F260164
-----------	-----------------------------	---------



OPERATING INSTRUCTIONS AND OWNER'S MANUAL

Model #
MHU 50
MHU 80

READ INSTRUCTIONS CAREFULLY: Read and follow all instructions. Place instructions in a safe place for future reference. Do not allow anyone who has not read these instructions to assemble, light, adjust or operate the heater.



Model	Starting Serial Number
MHU50NG	LN260420-12001001
MHU50LP	LN260410-12001001
MHU80NG	LN260440-12001001
MHU80LP	LN260430-12001001

WARNING:

USE ONLY MANUFACTURER'S REPLACEMENT PARTS. USE OF ANY OTHER PARTS COULD CAUSE INJURY OR DEATH. REPLACEMENT PARTS ARE ONLY AVAILABLE DIRECT FROM THE FACTORY AND MUST BE INSTALLED BY A QUALIFIED SERVICE AGENCY.

PARTS ORDERING INFORMATION:

PURCHASING: Accessories may be purchased at any Mr. Heater local dealer or direct from the factory

FOR INFORMATION REGARDING SERVICE

Please call Toll-Free 800-251-0001 • www.mrheater.com • www.Mr.Heater.com
Our office hours are 8:30 AM – 5:00 PM, EST, Monday through Friday.
Please include the model number, date of purchase, and description of problem in all communication.

LIMITED WARRANTY

The company warrants this product to be free from imperfections in material or workmanship, under normal and proper use in accordance with instructions of The Company, for a period of three years on parts (limited) and 10 years on the heat exchanger, from the date of delivery to the buyer. The Company, at its option, will repair or replace products returned by the buyer to the factory, transportation prepaid within said one year period and found by the Company to have imperfections in material or workmanship.

If a part is damaged or missing, call our Technical Support Department at 800-251-0001.

Address any Warranty Claims to the Service Department, Mr. Heater, Inc., 4560 W. 160TH ST., CLEVELAND, OHIO 44135. Include your name, address and telephone number and include details concerning the claim. Also, supply us with the purchase date and the name and address of the dealer from whom you purchased our product.

The foregoing is the full extent of the responsibility of the Company. There are no other warranties, express or implied. Specifically there is no warranty of fitness for a particular purpose and there is no warranty of merchantability. In no event shall the Company be liable for delay caused by imperfections, for consequential damages, or for any charges of the expense of any nature incurred without its written consent. The cost of repair or replacement shall be the exclusive remedy for any breach of warranty. There is no warranty against infringement of the like and no implied warranty arising from course of dealing or usage of trade. This warranty will not apply to any product which has been repaired or altered outside of the factory in any respect which in our judgment affects its condition or operation.

Some states do not allow the exclusion or limitation of incidental or consequential damages, so the above limitation or exclusion may not apply to you. This Warranty gives you specific legal rights, and you may have other rights which vary from state to state.

Mr. Heater, Inc. reserves the right to make changes at any time, without notice or obligation, in colors, specifications, accessories, materials and models.

PRODUCT REGISTRATION: Thank you for your purchase.
Please log in to <http://www.egiregistration.com> to register your product.



ANDI283.8-2009 CSA 2.6-2009
UNIT / UTILITY HEATER
CSA .10.96 U.S. (2ND ED.)
UNIT HEATER FOR RESIDENTIAL INSTALLATION
CATEGORY/CATEGORIE I

Mr. Heater, INC., 4560 W. 160TH ST., CLEVELAND, OHIO 44135 • 216-916-3000
Mr. Heater is a registered trademarks of Mr. Heater, Inc.
© 2003, Mr. Heater. All rights reserved



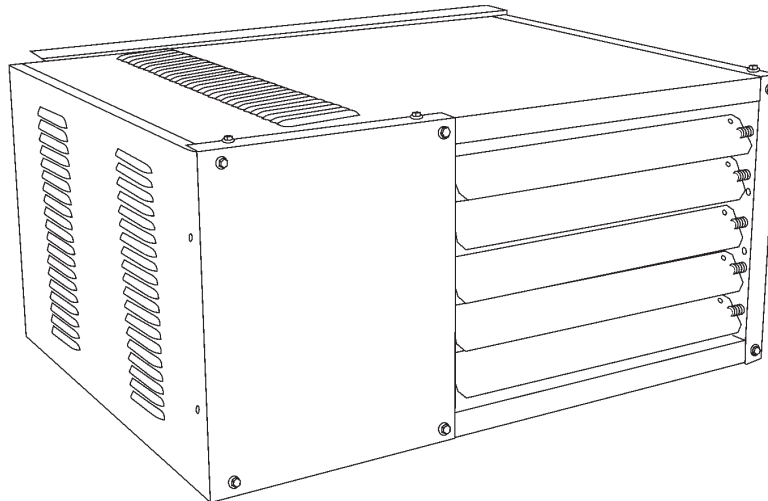
INSTRUCCIONES DE USO Y MANUAL DEL USUARIO

Modelo N.º

MHU 50

MHU 80

LEA CUIDADOSAMENTE LAS INSTRUCCIONES: lea y siga todas las instrucciones. Conserve estas instrucciones en un lugar seguro para futura referencia. No permita que nadie que no haya leído estas instrucciones arme, encienda, ajuste o use el calentador.



Para números de serie de los modelos, ver la página S16.

IDIOMAS

INGLÉS

Páginas E1 — E16

ESPAÑOL

Páginas S1 — S16

FRANCÉS

Páginas F1 — F16

CALENTADOR COMPACTO PARA USO COMERCIAL CALENTADOR COMPACTO PARA USO RESIDENCIAL

ADVERTENCIA: La instalación, el ajuste, la alteración, la reparación o el mantenimiento indebidos pueden ocasionar daños a la propiedad o lesiones. Consulte este manual. Para obtener ayuda o información adicional, consulte con un instalador calificado, una agencia de reparación calificada o el suministrador de gas.

QUÉ HACER SI DETECTA OLOR A GAS

- Abra las ventanas.
- **NO** intente encender ningún artefacto.
- **NO** utilice interruptores eléctricos.
- **NO** utilice los teléfonos de su hogar. Llame de inmediato al suministrador de gas desde el teléfono de un vecino. Siga las instrucciones del suministrador de gas.
- **NO** toque ningún interruptor eléctrico; no use ningún teléfono del edificio.
- La instalación y el mantenimiento deben ser realizados por un instalador calificado, una agencia de reparación calificada o el suministrador de gas.
- Si no puede comunicarse con el suministrador de gas, llame al Departamento de Bomberos.

PARA SU SEGURIDAD:

No almacene ni utilice gasolina ni otros vapores y líquidos inflamables en las proximidades de este artefacto ni de ningún otro artefacto.

ADVERTENCIA: Si no se sigue la información de estas instrucciones con exactitud, puede producirse un incendio o una explosión y ocasionar daños a la propiedad, lesiones personales o la muerte.

ADVERTENCIA:

⚠ SU SEGURIDAD ES IMPORTANTE PARA USTED Y PARA LOS DEMÁS. POR ELLO, LEA ESTAS INSTRUCCIONES ANTES DE UTILIZAR EL CALENTADOR.

ADVERTENCIA GENERAL DE PELIGRO:

- ⚠ EL NO CUMPLIR CON LAS PRECAUCIONES E INSTRUCCIONES QUE VIENEN CON ESTE CALENTADOR PUEDE CAUSAR LA MUERTE, LESIONES GRAVES Y PÉRDIDAS Y DAÑOS MATERIALES DERIVADOS DEL PELIGRO DE INCENDIO, EXPLOSIÓN, QUEMADURAS, ASFIXIA, ENVENENAMIENTO CON MONÓXIDO DE CARBONO Y/O DESCARGAS ELÉCTRICAS.
- ⚠ SOLO LAS PERSONAS QUE ENTIENDAN Y PUEDAN SEGUIR LAS INSTRUCCIONES DEBEN USAR O REPARAR EL CALENTADOR.
- ⚠ SI NECESITA AYUDA O INFORMACIÓN ACERCA DEL CALENTADOR, COMO MANUALES DE INSTRUCCIONES, ETIQUETAS, ETC., PÓNGASE EN CONTACTO CON EL FABRICANTE.

ADVERTENCIA:

⚠ PELIGRO DE INCENDIO, QUEMADURAS, INHALACIÓN Y EXPLOSIÓN. MANTENGA LOS COMBUSTIBLES SÓLIDOS, TALES COMO MATERIALES DE CONSTRUCCIÓN, PAPEL O CARTÓN, A UNA DISTANCIA SEGURA DEL CALENTADOR. COMO SE RECOMIENDA EN LAS INSTRUCCIONES, NUNCA USE EL CALENTADOR EN ESPACIOS QUE CONTENGAN O PODRÍAN CONTENER COMBUSTIBLES VOLÁTILES O GASEOSOS, NI PRODUCTOS COMO GASOLINA, SOLVENTES, DILUYENTES DE PINTURA, PARTÍCULAS DE POLVO O PRODUCTOS QUÍMICOS DESCONOCIDOS.

EL ESTADO DE CALIFORNIA EXIGE LAS SIGUIENTES ADVERTENCIAS:

ADVERTENCIA: Uno de los elementos generados por la combustión al usar este equipo es monóxido de carbono, un producto químico que de acuerdo con el estado de California produce cáncer y defectos de nacimiento (u otros daños reproductivos).

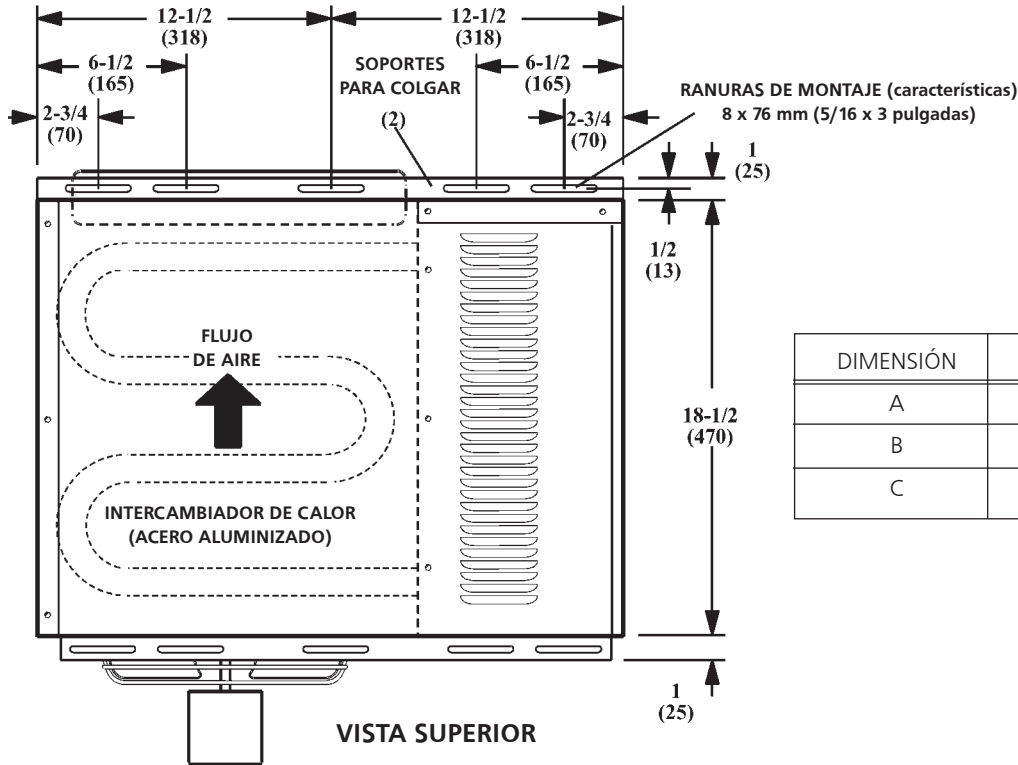
ADVERTENCIA: Este producto contiene sustancias químicas, incluyendo plomo, conocido en el estado de California por causar cáncer y defectos de nacimiento u otros daños reproductivos. **Lávese las manos después de manipular.**

CONTENIDO

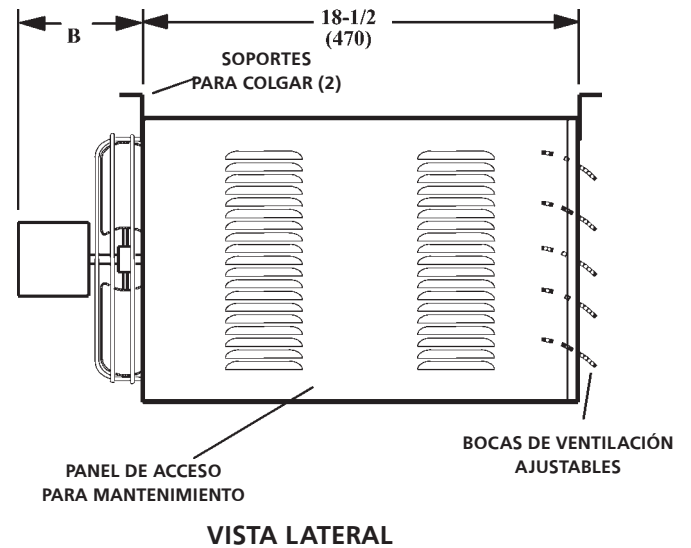
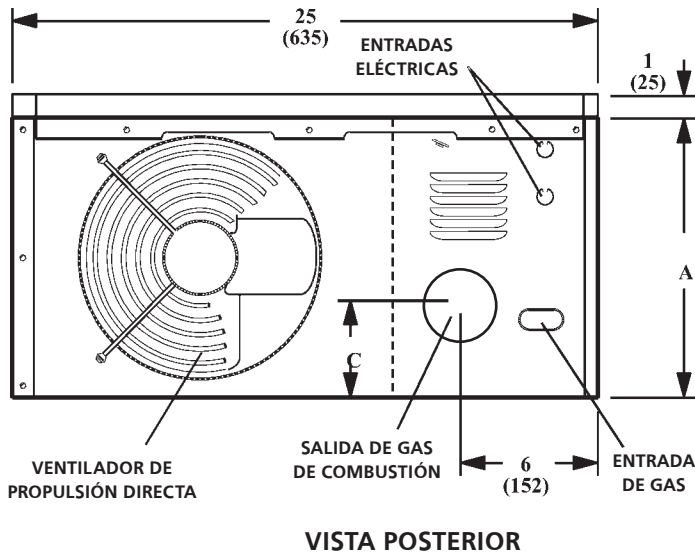
DIMENSIONES DE LA UNIDAD	S-4
ENVÍO.....	S-5
REQUISITOS	S-5
INSTALACIÓN DEL CALENTADOR	S-6
AIRE DE COMBUSTIÓN Y VENTILACIÓN	S-6
VENTILACIÓN	S-6-S-10
CONEXIONES ELÉCTRICAS	S-10
CONEXIÓN DE GAS	S-11
VERIFICACIÓN DE FUGAS	S-11
OPERACIÓN DE ENCENDIDO.....	S-11
SECUENCIA OPERATIVA DE CALEFACCIÓN	S-12
LED DEL CONTROL DE IGNICIÓN	S-12
AJUSTES	S-12
MANTENIMIENTO	S-13
DIAGRAMA DE CABLEADO.....	S-14
LISTA DE PIEZAS	S-14
GARANTÍA.....	S-16

DIMENSIONES DE LAS UNIDADES MHU 50/MHU 80

(N-GAS NATURAL, P-PROPANO)



DIMENSIÓN	50	80
A	12 (305)	17 (432)
B	5-1/2 (140)	6-1/2 (165)
C	4-1/4 (108)	6-3/4 (171)



LISTA DE CONTROL PARA ENCENDIDO Y FUNCIONAMIENTO

Nombre del trabajo: _____ N.º de trabajo: _____ Fecha: _____
 Lugar del trabajo: _____ Ciudad: _____ Estado/Provincia: _____
 Instalador: _____ Ciudad: _____ Estado/Provincia: _____
 N.º de modelo de la unidad: _____ N.º de serie: _____ Técnico de reparación: _____

¿Las conexiones eléctricas están ajustadas? _____
 Voltaje de suministro _____
 ¿Se comprobó que las conexiones de tuberías estén ajustadas y sin fugas? _____
 Amperaje del motor _____
 Potencia en Btu de la calefacción _____
 Presión de línea _____
 Presión de colector w.c. _____

¿Las conexiones de gas de combustión están ajustadas? _____
 ¿Se revisó el funcionamiento del temporizador del ventilador? _____
TERMOSTATO
 ¿Está calibrado? _____
 ¿El anticipador de calor está instalado correctamente? _____
 ¿Nivel? _____

ENVÍO

El calentador se entrega completamente ensamblado. Incluye instrucciones, dos soportes de montaje (se entregan sueltos) y un accesorio de transición para gas de combustión. Controle que la unidad no se haya dañado durante el envío. Si el destinatario detecta daños por el envío, deberá comunicarse de inmediato con el último transportista.

REQUISITOS – CSA EN EE. UU.

La instalación de calentadores a gas debe cumplir con los códigos de construcción locales o, si no existieran dichos códigos, con el Código Nacional de Gas Combustible ANSI Z223.1 vigente.

La instalación en hangares debe cumplir con la Norma para Hangares ANSI/NFPA N.º 409 vigente.

La instalación en edificios de estacionamiento debe cumplir con la Norma para Edificios de Estacionamiento ANSI/NFPA N.º 88A vigente.

La instalación en talleres de reparación debe cumplir con la Norma para Talleres de Reparación ANSI/NFPA N.º 88B vigente.

Estas unidades están aprobadas para uso residencial. Para la instalación en garajes residenciales, las unidades se deben instalar de modo tal que los quemadores y la fuente de ignición se encuentren a no menos de 2,438 m (8 pies) sobre el piso. El calentador se debe ubicar o proteger de modo tal que se eviten daños físicos causados por vehículos. Consulte la edición vigente del Código Nacional de Gas Combustible ANSI Z223.1.

Antes de realizar una instalación conforme a la NFPA, se debe consultar a las autoridades que tengan jurisdicción. El aire para la combustión y ventilación debe cumplir con los métodos especificados en la norma ANSI Z223.1, sección 5.3, Aire para la Combustión y Ventilación, o en las disposiciones pertinentes de los códigos de construcción locales. El Código Nacional de Gas Combustible se encuentra disponible en:

American National Standard Institute Inc.
11 West 42nd Street
New York, NY 10036

El diseño de las unidades está certificado por CSA International. Los calentadores están certificados para su instalación en material combustible, como se detalla en la tabla 1 y en la placa de especificaciones de la unidad. Se deben respetar los espacios libres para el acceso, el mantenimiento y la protección contra incendios.

Todo el cableado eléctrico y la conexión a tierra de la unidad deben realizarse de acuerdo con las normativas del Código Eléctrico Nacional vigente ANSI/N.º 70.

El Código Eléctrico Nacional se encuentra disponible en:

National Fire Protection Association
1 Batterymarch Park
PO Box 9101
Quincy, MA 02269-9101

TABLA 1
DISTANCIAS DE LA UNIDAD

Parte superior		Lados		Panel de acceso	
pulgadas	mm	pulgadas	mm	pulgadas	mm
1	25	1	25	18	457
Parte inferior		Parte posterior		Ventilación monocapa*	
pulgadas	mm	pulgadas	mm	pulgadas	mm
0	0	18	456	6	152

* Excepto para distanciadores tubulares homologados.

REQUISITOS – CSA EN CANADÁ

Las instrucciones sólo constituyen una guía general y no reemplazan de modo alguno los códigos locales. Antes de la instalación, se debe consultar a las autoridades que tengan jurisdicción. La instalación debe cumplir con los códigos de construcción locales o, si no existieran dichos códigos, con el Código de Instalación de Gas Natural y Propano CSA B149.1. vigente. Todo el cableado eléctrico y la conexión a tierra de la unidad también deben cumplir con la edición vigente del Código Eléctrico Canadiense CSA C22.1.

Estos calentadores cuentan con la certificación de CSA International con respecto a las distancias a material combustible que figuran en la placa de especificaciones y en la **tabla 1**. Distancia adecuada alrededor de las aberturas de aire que conducen a la cámara de combustión, distancia desde el material combustible, y disposiciones relacionadas con la accesibilidad y el suministro de aire para combustión y ventilación. Estas disposiciones se deberán tener en cuenta a fin de garantizar el acceso para realizar las tareas de mantenimiento del calentador. Tenga en cuenta que las distancias de protección contra incendios pueden ser mayores a las especificadas para proporcionar espacio adicional a fin de garantizar el mantenimiento y el acceso a la unidad.

INSTALACIONES EN GARAJE:

La instalación en edificios de estacionamiento debe cumplir con la Norma para Edificios de Estacionamiento ANSI/NFPA N.º 88A vigente.

La instalación en talleres de reparación debe cumplir con la Norma para Talleres de Reparación ANSI/NFPA N.º 88B vigente.

1. En áreas de almacenamiento, la distancia de los calentadores con respecto a materiales combustibles debe ser tal que el material no alcance una temperatura superior a 71 °C (160 °F) por el funcionamiento continuo de la unidad.
2. Se debe mantener una distancia mínima de ocho pies entre el piso y la parte inferior del calentador. Consulte el Código de Instalación de Gas Natural y Propano CSA B149.1.

HANGAR:

La instalación de calentadores a gas debe cumplir con los códigos de construcción locales o, si no existieran dichos códigos, con el Código Nacional de Gas Combustible ANSI Z223.1 vigente.

1. En áreas donde se guarden aeronaves o se haga mantenimiento de ellas, se debe mantener una distancia mínima de 3 m (10') entre la superficie más alta de la aeronave y la parte inferior del calentador.
2. En las otras áreas, se debe mantener una distancia mínima de 2,44 m (8') entre el piso y la parte inferior del calentador.
3. Los calentadores se deben ubicar de modo tal que se eviten daños causados por aeronaves y otros artefactos necesarios para el mantenimiento de éstas. Consulte los requisitos de las autoridades pertinentes.

Estas unidades están aprobadas para uso residencial. Para la instalación en garajes residenciales, las unidades se deben instalar de modo tal que los quemadores y la fuente de ignición se encuentren a no menos de 457 mm (18") sobre el piso. El calentador se debe ubicar o proteger de modo tal que se eviten daños físicos causados por vehículos. Consulte la edición vigente del Código de Instalación de Gas Natural y Propano CSA B149.1.

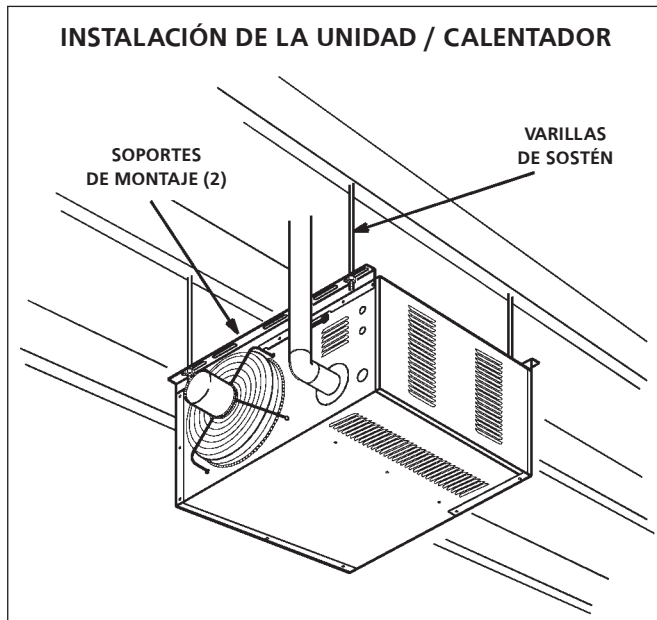
En áreas cerradas, el calentador se debe instalar de acuerdo con el Código de Instalación de Gas Natural y Propano CSA B149.1. Asegúrese de cumplir con los requisitos adicionales de los códigos y ordenanzas locales.

INSTALACIÓN DEL CALENTADOR

La unidad se entrega lista para su instalación. La unidad se puede instalar como se muestra en la **figura 1** o invertida 180° según la ubicación deseada y los requisitos de distancia, conexión de ventilación, dirección del aire, suministro de gas, suministro eléctrico y acceso para el mantenimiento.

1. Si instala la unidad en posición invertida, realice lo siguiente: Retire y guarde los tornillos que fijan la puerta, y gire la puerta 180°. Fije la puerta con los tornillos guardados. Gire las bocas de ventilación para dirigir el flujo de aire según lo desee.
2. Elija la ubicación para los soportes de montaje.
3. Retire y guarde los tres tornillos del borde superior (borde inferior si se invierte) del frente de la unidad.
4. Alinee los orificios para tornillos del soporte de montaje con los orificios del borde superior (o invertido) de la unidad. Fije un soporte de montaje a la parte delantera de la unidad con los tornillos guardados. Fije el otro soporte de montaje a la parte posterior de la unidad con los tornillos suministrados en el ensamble de bolsa que contiene el accesorio de transición para gas de combustión.
5. Para sostener la unidad, fije el soporte de montaje a una viga o tirante del techo. La unidad también se puede colgar de varillas como se muestra en la **figura 1**.

FIGURA 1



AIRE DE COMBUSTIÓN Y VENTILACIÓN

Se deben proporcionar instalaciones adecuadas para suministrar aire de combustión y ventilación de acuerdo con la última edición de la sección 5.3, Aire para la Combustión y Ventilación, del

Código Nacional de Gas Combustible ANSI Z223.1, en EE. UU., el Código de Instalación de Gas Natural y Propano CSA B149.1, o las disposiciones pertinentes de los códigos de construcción locales.

Todos los artefactos a gas necesitan aire para usar en el proceso de combustión. En muchos edificios actuales, hay presión de aire negativa en el interior producida por extractores, etc. Si no se dispone de la cantidad suficiente de aire de combustión, el calentador y otros artefactos no funcionarán en forma eficiente, lo que causará una combustión incompleta y podrá generar un exceso de monóxido de carbono.

AVISO El aire de combustión insuficiente puede causar dolor de cabeza, náuseas, mareos, asfixia o la muerte.

Si para la combustión se utiliza aire del interior, éste debe estar libre de las siguientes sustancias o la vida útil del intercambiador de calor podría verse afectada negativamente: cloro, tetracloruro de carbono, solvente de limpieza, refrigerantes halógenos, ácidos, colas y pegamentos, tintas de impresión, fluoruros, quitapinturas, barnices u otros corrosivos.

VENTILACIÓN

A – REQUISITOS Y RECOMENDACIONES GENERALES

NOTA: La ventilación es un paso vertical o casi vertical que se utiliza para transportar los gases de combustión desde un artefacto, o su conector de ventilación, hacia la atmósfera exterior. El conector de ventilación es el tubo o conducto que conecta el artefacto que quema gas o combustible con una ventilación o chimenea.

La ventilación de los calentadores debe cumplir con todos los códigos locales o requisitos de la empresa de servicios públicos local, las normas vigentes del Código Nacional de Gas Combustible (de EE. UU.) ANSI Z223.1 o el Código de Instalación de Gas Natural y Propano (de Canadá) CSA B149.1, y las siguientes instrucciones.

Con la unidad certificada se incluye un accesorio de transición extrudido/estampado en metal. Este no se debe modificar ni alterar y se debe instalar en la salida del ensamble del soplador de tiro inducido antes de instalar la ventilación o el conector de ventilación. El incumplimiento de este requisito anulará la certificación de la unidad por los organismos reguladores. Todas las juntas se deben asegurar con, al menos, dos tornillos anticorrosivos. Después de la instalación, se debe comprobar que todas las juntas queden herméticas para evitar la fuga de gas.

TABLA 2
LONGITUDES MÁXIMAS DE VENTILACIÓN
VENTILACIONES HORIZONTALES

Cant. de codos	Pies	m
1	25	7.6
2	20	6.1
3	15	4.6
4	10	3.0
5	5	1.5

La longitud máxima del conector de ventilación no debe superar los 9,1 m (30 pies).

B – VENTILACIONES VERTICALES CON TUBO DE VENTILACIÓN METÁLICO - INSTALACIONES COMERCIALES Y RESIDENCIALES

Los calentadores compactos MHU están clasificados como artefactos de Categoría I para instalaciones con ventilación vertical.

1. Los calentadores MHU se deben utilizar con chimeneas aprobadas por NFPA o ANSI, ventilaciones de gas tipo B-1 homologadas por U.L., tubos de metal monocapa o un sistema de revestimiento de chimenea homologado para ventilación de gas donde corresponda, además de las modificaciones y limitaciones que se detallan en la **figura 2**. Selle el material de ventilación monocapa de acuerdo con la sección **A - Requisitos y recomendaciones generales**.
2. El conector de ventilación tendrá un diámetro de 76 mm (3") en unidades 50. En todos los casos, se necesita una pieza de transición para el gas de combustión (incluida) que deberá colocarse en la salida del conjunto de tiro inducido del equipo.
3. Mantenga el tendido del conector de ventilación lo más corto posible con una mínima cantidad de codos. Para conocer las longitudes máximas de ventilación y conectores de ventilación, consulte el Código Nacional de Gas Combustible (de EE. UU.) ANSI Z223.1 o el Código de Instalación de Gas Natural y Propano (de Canadá) CSA B149.1. El tendido horizontal del conector de ventilación entre el soplador de tiro inducido y la chimenea o ventilación no debe superar los valores de la **tabla 2**.
4. Si la longitud de una ventilación monocapa, incluidos los codos, supera los 1,5 m (5 pies), la ventilación se deberá aislar en toda su longitud con un aislamiento de densidad 1-1/2# con fibra de vidrio revestida con láminas de aluminio de 1,3 cm (1/2") de espesor. Si se utiliza una ventilación monocapa en un área no calefaccionada, debe estar aislada. De lo contrario, se condensarán los gases de combustión.
5. La unidad puede tener una ventilación vertical como artefacto único o una ventilación común con otros artefactos a gas. En caso de ventilación común, los conectores de ventilación de los otros artefactos deben mantener una separación vertical de 100 mm (4") entre sí. Para conocer el tamaño correcto de la ventilación, consulte las tablas de ventilación común del Código Nacional de Gas Combustible (de EE. UU.) ANSI Z223.1 o el Código de Instalación de Gas Natural y Propano (de Canadá) CSA B149.1.
6. La distancia de materiales combustibles para materiales de ventilación monocapa es de 152 mm (6"), excepto donde se utilice un distanciador tubular homologado. La distancia de materiales combustibles para ventilaciones tipo B-1 o chimeneas de fábrica es la especificada por el fabricante.
7. El conector de ventilación debe sujetarse sin inclinación ni pandeo. Las ventilaciones verticales se deben sujetar de acuerdo con las instrucciones homologadas y del fabricante. Todo el tendido horizontal del conector de ventilación debe tener una pendiente ascendente hacia la ventilación vertical de, al menos, 1 mm por cada 50 mm (1/4" por pie).
8. Todas las ventilaciones verticales tipo B-1, ventilaciones monocapa o sistemas de revestimiento de chimenea homologados se deben terminar con una tapa de ventilación o un ensamble para techo homologados.
9. La ventilación debe prolongarse, al menos, 1 m (3') por encima del punto más alto donde atraviese el techo del edificio y al menos 0,6 m (2') por encima de cualquier parte del edificio que se encuentre a una distancia horizontal de 3,05 m (10'), excepto que se especifique de otro modo en el Código Nacional de Gas Combustible (de EE. UU.) ANSI Z223.1 o en el Código de Instalación (de Canadá) CAN/CGA-B149. La ventilación debe prolongarse, al menos, 1,6 m (5') por encima del anillo de gas de combustión del equipo que esté conectado más alto.

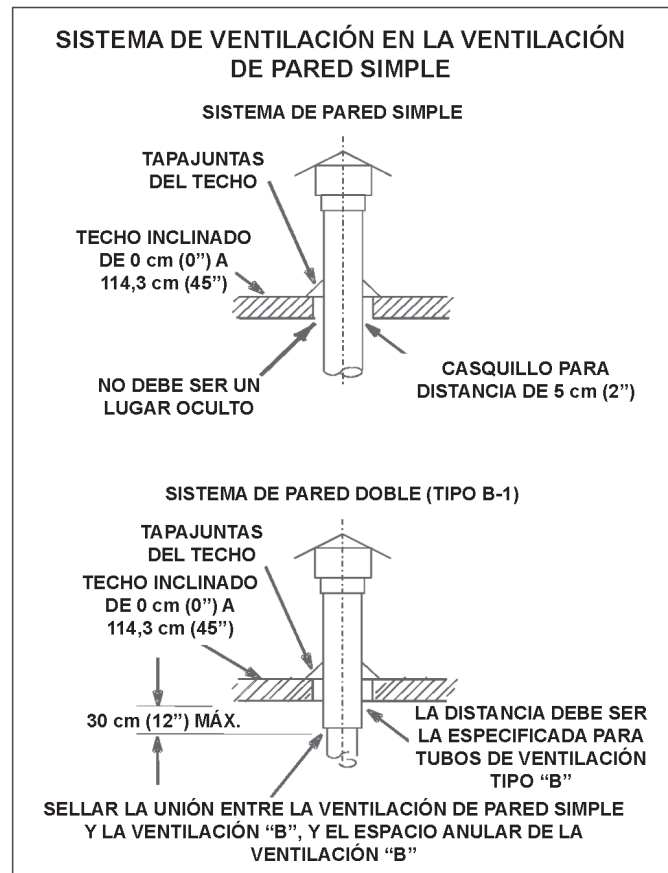


FIGURA 2

C – VENTILACIÓN HORIZONTAL – GENERAL

Debido a cambios efectuados en Z83-8 2009 CSA2.6-2009, ya no se permite el uso de una ventilación B de pared simple como material aceptable para hacer ventilaciones horizontales. Este cambio abarca tanto las instalaciones residenciales como las comerciales. A todas las unidades con ventilación horizontal fabricadas después de julio de 2011, se les debe hacer la ventilación de la Unidad/el Calentador de Categoría III, de acuerdo con UL 1738 & ULS636. No están permitidas las ventilaciones comunes cuando se utiliza la ventilación horizontal en los calentadores.

La longitud de ventilación horizontal mínima es de 914 mm (3 pies).

1. De ser posible, no haga la terminación de una ventilación horizontal a través de una pared que esté expuesta a vientos constantes. La exposición a vientos excesivos puede afectar el rendimiento de las unidades.
2. La terminación de la ventilación debe estar libre de obstrucciones y por lo menos a 306 mm (12") sobre el nivel de la base y la altura de nieve máxima.
3. No haga la terminación de la ventilación directamente debajo de los aleros del techo o sobre una pasarela, ni en cualquier otra área donde el goteo de condensado pueda provocar manchas. Evite las ventanas donde el vapor pueda empañarlas o donde se pueda formar hielo.
4. Al hacer ventilaciones horizontales, la distancia mínima para la terminación a cualquier puerta, ventana, entrada de aire, gas o medidor eléctrico, reguladores y equipos de liberación es de 1,2 m (4 pies) para las instalaciones en los Estados Unidos. Consulte NFPA 54/ANSI Z223.1 en los Estados Unidos de América y CSA B149.1 Código de instalación de propano y gas natural y .2 en Canadá, o a autoridades que tengan jurisdicción local. En Canadá, las terminaciones de la ventilación deben tener una distancia horizontal mínima de 1,8 m (6 pies) desde los medidores eléctricos y de gas, y

de los dispositivos de liberación como se especifica en B149.1, del Código canadiense de instalación de gas natural.

- La terminación de la ventilación debe estar a un mínimo de 1,2 m (4 pies) debajo de toda ventilación de paneles de soffito o ventilación que haya debajo de aleros, o bien a 1,2 m (4 pies) en posición horizontal.
- La ventilación debe estar a un mínimo de 1,8 m (6 pies) de la esquina interior formada por dos paredes exteriores. Si es posible, deje una distancia de 4 m (10 pies).
- La terminación de la ventilación debe estar a por lo menos 3 m (10 pies) de toda entrada de aire forzado (incluida la entrada de aire fresco para otros dispositivos, como un secador).
- Cuando una terminación se pasa a través de una pared combustible exterior, se debe sostener la ventilación con un casquillo de distancia, que se encuentra incluido en la lista. Selle la conexión que hay entre los tubos de una pared simple y una pared doble y el espacio anular del tubo de la pared doble, como se muestra en la figura 2. El borde interior de la junta de terminación en T de la ventilación debe estar a un mínimo de 30,48 cm (12 pulgadas) de la pared exterior, como se muestra en la **figura 3**.
- Para la ventilación horizontal, el tubo de ventilación debe estar agarrado con ganchos ubicados a una distancia máxima de 1 m (3 pies) entre sí para evitar que se mueva después de la instalación.

D – VENTILACIÓN HORIZONTAL – COMERCIAL

- Las instalaciones comerciales horizontales son para edificios que no estén pegados a espacios habitados. La ventilación puede ser material de ventilación de pared simple instalado de acuerdo con las secciones

Ventilación A: recomendaciones y requisitos generales y C - Ventilación horizontal: general y D - Ventilación horizontal: comercial. Consulte la **figura 3**.

- El diámetro del tubo de ventilación de las instalaciones comerciales horizontales será de 76 mm (4 pies) en unidades 50. En todos los casos, se necesita una pieza de transición para el gas de combustión (incluida) que deberá colocarse en la salida del conjunto de tiro inducido del equipo.
- Consulte la **tabla 2** para conocer las longitudes máximas de los conectores de ventilación.
- Seleccione una punta de terminación de pared que mantenga una pendiente de incremento de 0,64 cm ($\frac{1}{4}$ ") por pie de longitud horizontal del caño de ventilación.
- Para la ventilación de pendiente vertical, se debe instalar una junta de condensado en T dentro de los primeros 1,5 m (5 pies) desde el calentador para proteger el aparato. Si se utiliza una línea de drenaje de condensado flexible, esta debe incluir una presilla en el ingreso a la estructura. Si la unidad se apaga por un período prolongado y si va a estar expuesta a temperaturas inferiores al punto de congelamiento, es posible que el condensado se congele.

E – VENTILACIÓN HORIZONTAL – RESIDENCIAL

- Para instalaciones residenciales horizontales, estas unidades cuentan con la certificación de dispositivos de Categoría III. **Ventilación A: recomendaciones y requisitos generales y C: Ventilación horizontal: general y E: Ventilación horizontal: residencial.** Consulte la **figura 6**.
- El diámetro del tubo de ventilación para instalaciones residenciales horizontales será de 100 mm (4") en unidades 50 y 80. Se requiere una transición de ventilación estándar en la unidad además de la transición incluida con la unidad.
- La longitud máxima de la ventilación es 1,5 m (5 pies) más un codo de 90 grados. La longitud mínima es de 0,91 m (3 pies).
- La ventilación debe mantener una pendiente de incremento de 0,635 cm ($\frac{1}{4}$ ") por pie vertical hacia la terminación.

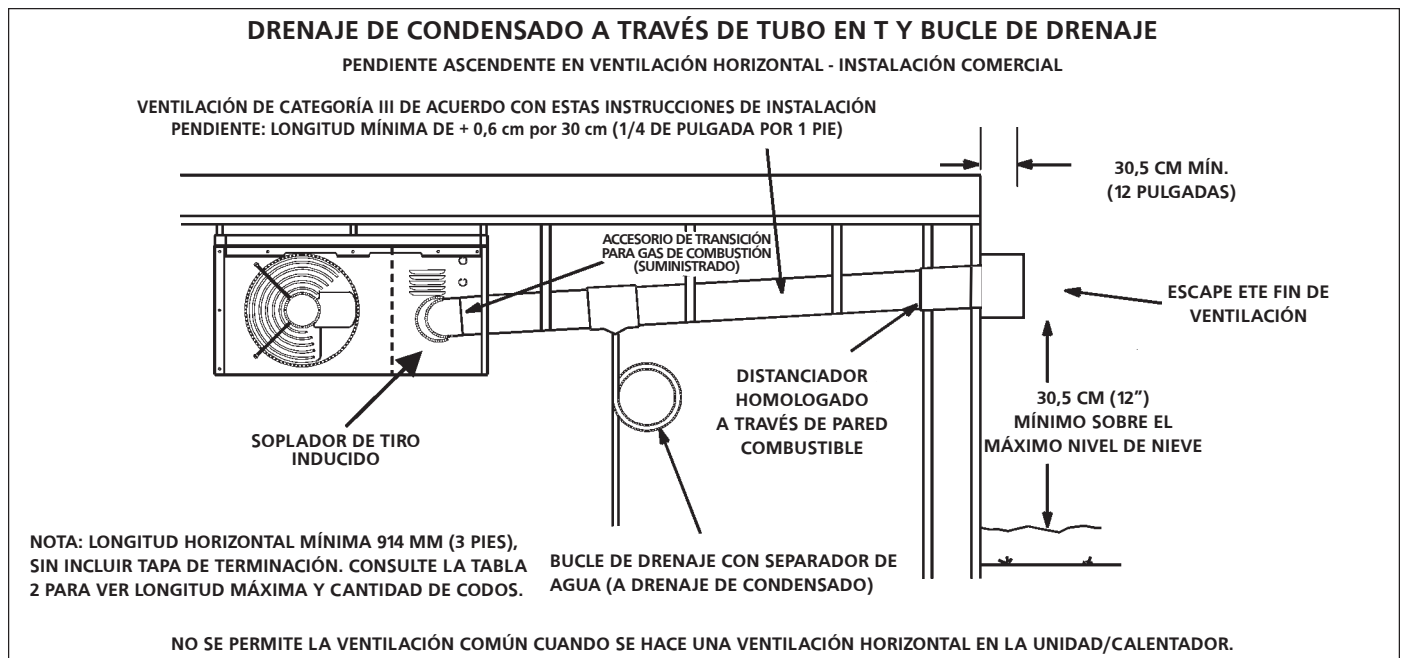


FIGURA 3

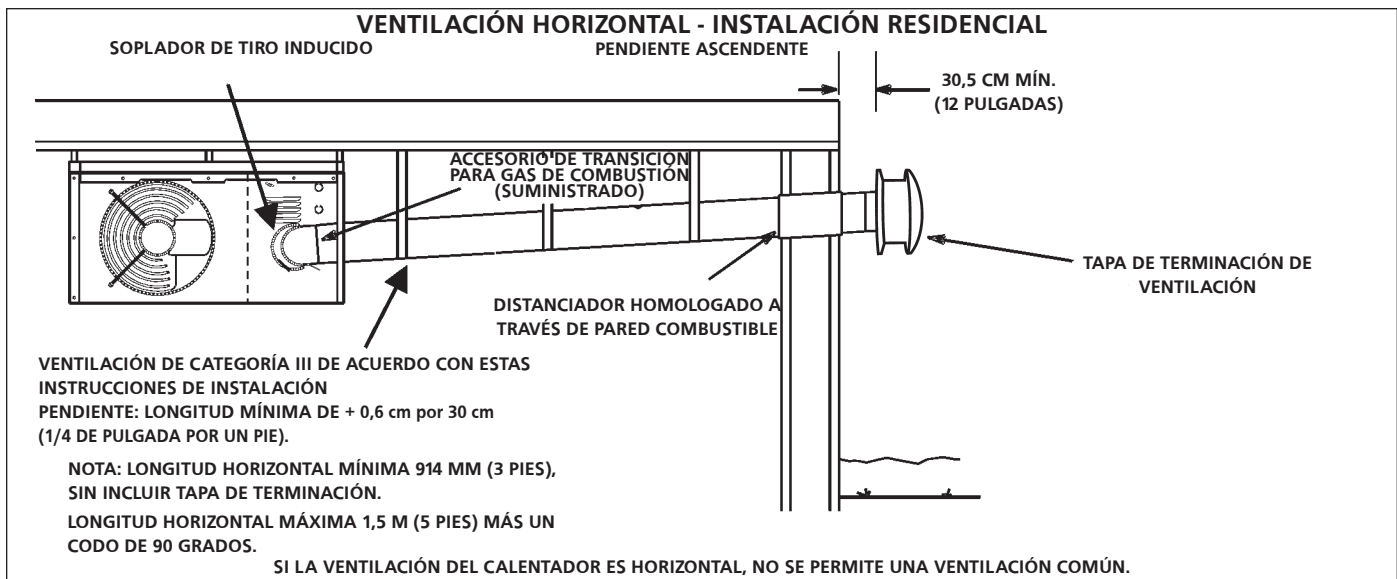


FIGURA 6

F – VENTILACIÓN CON UNA CHIMENEA DE MAMPOSTERÍA

Los siguientes requisitos adicionales se aplican cuando se utiliza una chimenea de mampostería revestida para ventilar el calentador.

1. Las chimeneas de mampostería usadas para ventilar calentadores de Categoría I deben estar revestidas con azulejos, con un sistema de revestimiento metálico homologado o con una ventilación de gas dedicada. Las chimeneas de mampostería sin revestimiento están prohibidas. Los artefactos de Categoría I nunca deben conectarse a una chimenea usada para un artefacto de combustible sólido. Si se utiliza la chimenea de un hogar, se deberá sellar en forma permanente la abertura del hogar.
2. Un calentador asistido por ventilador podrá usar una ventilación común a través de una chimenea de mampostería revestida siempre y cuando se cumplan los siguientes requisitos:
 - La chimenea se utiliza actualmente para, al menos, un artefacto equipado con campana extractora.
 - El tamaño del conector de ventilación y la chimenea es el especificado en las tablas de ventilación del Código Nacional de Gas Combustible (de EE. UU.) ANSI Z223.1 o el Código de Instalación de Gas Natural y Propano (de Canadá) CSA B149.1.

IMPORTANTE: La ventilación de un calentador asistido por ventilador a través de una chimenea de mampostería revestida con azulejos (pared interior o exterior) para un solo artefacto está prohibida. Primero, la chimenea debe estar revestida con una ventilación tipo B-1 o un sistema de revestimiento monocapa flexible y aislado para ventilación, con el tamaño especificado en las tablas de ventilación del Código Nacional de Gas Combustible (de EE. UU.) ANSI Z223.1 o el Código de Instalación de Gas Natural y Propano (de Canadá) CSA B149.1.

3. La ventilación tipo B-1 o el revestimiento de la chimenea de mampostería deben terminar por encima de la superficie del techo con una tapa o ensamblaje de tapa homologado de acuerdo con las condiciones de su respectiva homologación y las instrucciones del fabricante de la ventilación.
4. No instale un regulador de tiro manual, un regulador de tiro barométrico o un reductor de gases de combustión entre el calentador y la chimenea.
5. Si se utiliza una ventilación bicapa tipo B-1 dentro de la chimenea, no se podrá ventilar ningún otro artefacto en ésta. La pared exterior del tubo de ventilación tipo B-1 no se debe exponer a productos de combustión.

6. El aislamiento del tubo de ventilación flexible debe ser una funda de fibra de vidrio encapsulada recomendada por el fabricante del tubo de ventilación.
7. El espacio entre el revestimiento y la chimenea NO se debe aislar con mica expandida ni con ningún otro material aislante con gránulos sueltos.
8. Si no se puede usar una ventilación tipo B-1 o un tubo de ventilación flexible aislado como revestimiento, se deberá reconstruir la chimenea para incorporar uno de estos métodos, o se deberá hallar otro método aprobado alternativo para ventilar el artefacto. Si la inspección revela que la chimenea existente no es segura para el fin previsto, deberá ser reconstruida para cumplir con las normas reconocidas a nivel nacional, revestida o vuelta a revestir con materiales adecuados o reemplazada con una ventilación o chimenea de gas apta para ventilar calentadores. El paso de la chimenea se deberá revisar periódicamente para asegurar que esté libre y sin obstáculos.

G – QUITAR LA UNIDAD DE UNA VENTILACIÓN COMÚN

Si se quita un calentador existente de un sistema de ventilación que se usa comúnmente con otros artefactos a gas, es posible que el sistema de ventilación sea demasiado grande para ventilar adecuadamente el resto de los artefactos instalados. Se deberá realizar la siguiente prueba con cada artefacto mientras uno está en funcionamiento y el resto apagado, pero conectado al sistema de ventilación común. Si el sistema de ventilación se instaló de forma incorrecta, se deberá corregir.

1. Selle todas las aberturas no utilizadas del sistema de ventilación común.
2. Inspeccione visualmente el sistema para verificar que tenga el tamaño y el declive correctos. Determine que no haya obstrucción o restricción, fugas, corrosión u otras fallas que puedan causar una situación insegura.
3. De ser posible, cierre todas las puertas y ventanas del edificio y todas las puertas entre el espacio en el que se encuentran los artefactos que permanecen conectados al sistema de ventilación común y los otros espacios del edificio. Encienda las secadoras de ropa y todos los artefactos no conectados al sistema de ventilación común. Encienda los extractores, tales como campanas y extractores de baño, para que funcionen a máxima velocidad. No encienda extractores de verano. Cierre los reguladores de tiro de hogares.

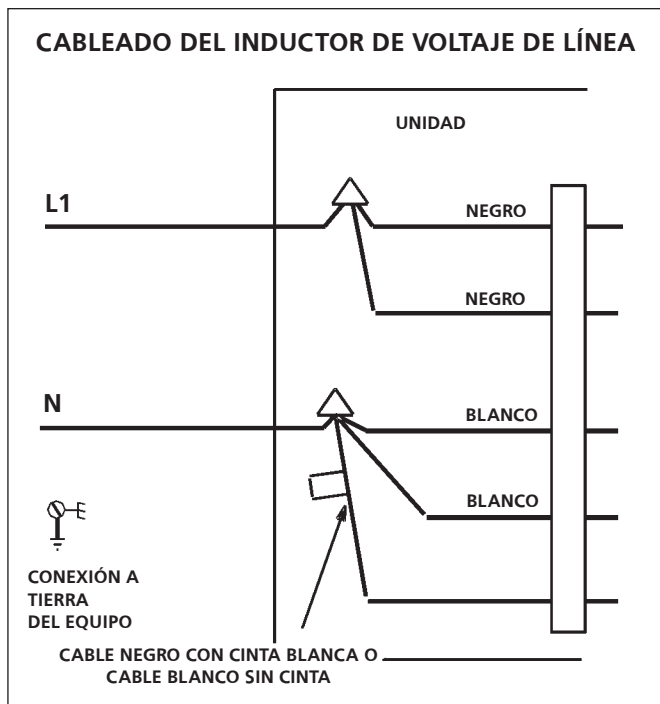


FIGURA 7

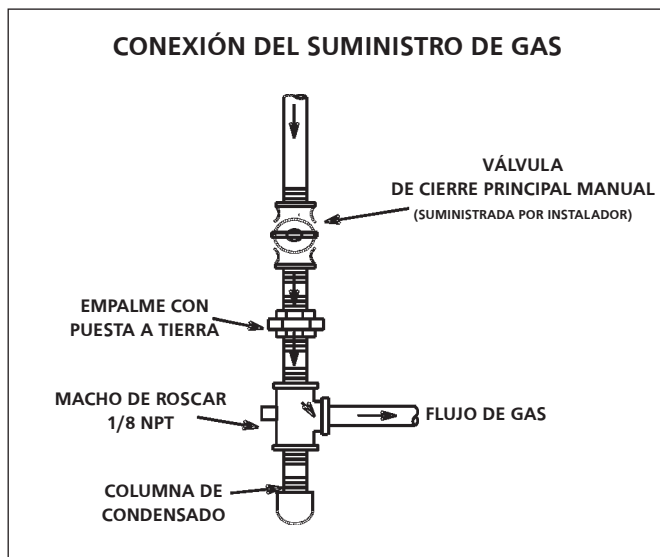


FIGURA 8

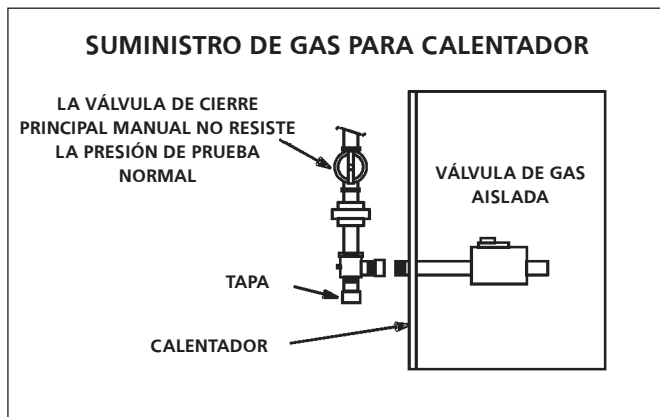


FIGURA 9

4. Siga las instrucciones de encendido. Ponga en funcionamiento el artefacto a inspeccionar. Ajuste el termostato de modo que el artefacto funcione continuamente.
5. Verifique que no haya derrame en la abertura de alivio de la campana extractora luego de cinco minutos de funcionamiento del quemador principal. Utilice la llama de un fósforo o vela, o el humo de un cigarro, cigarrillo o pipa.
6. Luego de determinar que todos los artefactos conectados al sistema de ventilación común ventilan correctamente en la prueba que se describe arriba, regrese a su estado anterior las puertas, ventanas, extractores, reguladores de tiro de hogares y demás artefactos que queman gas.
7. Si se observa una ventilación inadecuada durante algunas de las pruebas anteriores, se deberá corregir el sistema de ventilación común. El tamaño del sistema de ventilación común se deberá modificar para observar el tamaño mínimo especificado en las tablas correspondientes del Apéndice G de las normas vigentes del Código Nacional de Gas Combustible ANSI Z223-1, en EE. UU., y en las correspondientes tablas de tamaños para ventilación de artefactos a gas natural y propano de Categoría I de las normas vigentes del Código de Instalación de Gas Natural y Propano de Canadá CSA B149.1.

NOTA: Los códigos locales pueden reemplazar cualquiera de las disposiciones anteriores.

CONEXIONES ELÉCTRICAS

NOTA Los calentadores de serie MHU utilizan un sistema de encendido por chispa directa. No es necesario un piloto, ya que la chispa enciende el quemador principal siempre que la válvula de gas esté abierta. El panel de control de encendido por chispa directa emite ruido de radio durante el encendido del quemador.


Es posible que el nivel de energía sea necesario para perturbar un circuito lógico de un termostato controlado por microprocesador. Se recomienda usar un relevador de aislamiento al conectar el calentador a un termostato controlado por microprocesador. Seleccione la protección del circuito y el tamaño de los cables de acuerdo a la placa de especificaciones de la unidad. Instale un interruptor de desconexión separado (protegido tanto por un fusible o llave general) cerca de la unidad para que pueda desconectarse la alimentación para hacer mantenimiento. Quite la tapa de la caja de conexiones y conecte los cables a través del troquel de la caja de conexiones ubicada a un lado del calentador. Consulte el diagrama de cableado del calentador para obtener información de conexión. Utilice cable de calibre 18 o mayor para las conexiones de la alimentación de la línea. Asegúrese de conectar la línea de alimentación a cables ubicados en la caja de conexiones eléctrica externa que se encuentra detrás de la tapa de la caja de conexiones. **NO CONECTE LA ALIMENTACIÓN DE LA LÍNEA AL TRAVESAÑO DE TERMINALES DEL TERMOSTATO QUE SE ENCUENTRA EN LA PARTE EXTERIOR DEL CALENTADOR.**

Conecte la unidad a tierra de acuerdo con los códigos locales o, si no hay códigos locales, de acuerdo con el Código Eléctrico Nacional actual (ANSI/NFPA 70) en los Estados Unidos, y en Canadá, con el Código Eléctrico Canadiense, Parte 1 CSA C22.1


NOTA: Se debe envolver el cable de conexión a tierra sin aislar con cinta aisladora para evitar daños en el sistema eléctrico.

Realice las conexiones de voltaje de línea según se muestra en la **figura 7**. Conecte el cableado de campo como se muestra en el diagrama de cableado de la unidad. Además, consulte el diagrama típico de este manual.

Se debe instalar un cable de termostato adicional en el terminal g del calentador cuando se desea un soplador constante. Termostato (opcional). Ver esquema de cableado en la página S-13.

⚠ ADVERTENCIA	
	Peligro de descarga eléctrica. Puede causar lesiones o la muerte. No utilice este calentador si alguna de las piezas hubiera estado sumergida en agua. Llame de inmediato a un técnico calificado para que revise la calefacción y para cambiar cualquier pieza del sistema de control y cualquier control de gas que pudieran haber estado sumergidos.

⚠ ADVERTENCIA	
	Peligro de explosión. Puede causar lesiones o daños a la propiedad o al producto. Si se produce un exceso de calefacción o si el suministro de gas no se cierra, cierre la válvula de gas manual para el artefacto antes de desconectar el suministro eléctrico.

⚠ ADVERTENCIA	
	Peligro de descarga eléctrica. Puede causar lesiones o la muerte. Antes de realizar cualquier tarea de reparación o mantenimiento, desconecte la energía eléctrica desde los desconectores. La unidad puede tener varias fuentes de energía.

⚠ ADVERTENCIA	
	Peligro de explosión e incendio. Puede causar lesiones o daños a la propiedad o al producto. Debe seguir estas instrucciones con exactitud.

CONEXIÓN DE GAS

Al conectar el suministro de gas, se debe tener en cuenta la longitud del tendido desde el medidor para determinar el tamaño de la tubería y evitar una caída excesiva de presión. Al determinar el tamaño de la tubería, se debe mantener una presión de línea de 178 mm w.c. (7" w.c.) para gas natural. Para gas licuado (LP), se debe mantener una presión de línea de 330 mm w.c. (13" w.c.). Para determinar el tamaño correcto de la tubería, consulte el Código Nacional de Gas Combustible (de EE. UU.) ANSI Z223.1 o el Código de Instalación de Gas Natural y Propano (de Canadá) CSA B149.1, o a la empresa de servicios públicos que tenga jurisdicción.

⚠ ADVERTENCIA: PARA PREVENIR DAÑO AL CALENTADOR. AL USAR UN TANQUE DE PROPANO PARA ALIMENTAR EL CALENTADOR, SE DEBE USAR UN REGULADOR DE PRESIÓN BAJA MÍNIMO DE 28 cm (11") W.C. A UN REGULADOR DE PRESIÓN BAJA MÁXIMO DE 35,5 cm (14") W.C. ESTE REGULADOR DEBE INSTALARSE ENTRE EL TANQUE Y EL CALENTADOR. No se provee el regulador junto con el calentador.

Se debe instalar una columna de condensado en el tendido del tubo vertical hacia la unidad. En algunos lugares, los códigos pueden exigir que se instale una válvula de cierre principal manual y un empalme (suministrado por el instalador) en el exterior de la unidad. El empalme debe ser de puesta a tierra. La columna de condensado debe ser de fácil acceso para permitir la limpieza y el vaciado. Consulte la **figura 8**.

NOTA: Si se instala una caja de interruptores sobre los orificios ciegos eléctricos detrás de la unidad, deje un espacio libre mínimo de 102 mm (4") entre la caja de interruptores y la columna de condensado.

Se debe instalar un macho de roscar de 1/8" NPT inmediatamente después de la conexión del suministro de gas al calentador.

NOTA: Los compuestos utilizados en las juntas roscadas de la tubería de gas deben ser resistentes a la acción del gas licuado.

VERIFICACIÓN DE FUGAS

Luego de conectar la tubería de gas, verifique cuidadosamente todas las conexiones (del usuario y de fábrica) para comprobar que no haya fugas de gas. Utilice una solución jabonosa u otros medios de preferencia.

Debido a la vibración y a los ciclos de calefacción naturales de la unidad, se recomienda, como parte del mantenimiento anual, comprobar que las conexiones estén bien ajustadas y que no haya fugas con una solución jabonosa u otros medios de preferencia antes de poner en funcionamiento.

AVISO: NO utilice fósforos, velas, llamas u otras fuentes de ignición para comprobar si hay fugas de gas.

IMPORTANTE: El calentador y la válvula de cierre individual se deberán desconectar del sistema de tubería de suministro de gas durante cualquier prueba de presión del sistema con presiones de prueba que superen 3,45 kPa (1/2 psig).

El artefacto se deberá aislar del sistema de tubería de suministro de gas cerrando la válvula de cierre de gas manual durante cualquier prueba de presión del sistema de suministro de gas con presiones de prueba iguales o inferiores a 3,45 kPa (1/2 psig). Consulte la **figura 9**.

NOTA: En caso de requerir el apagado de emergencia, cierre la válvula de gas principal y desconecte la unidad del suministro de energía principal. Estos dispositivos deben ser correctamente etiquetados por el instalador.

ENCENDIDO Y FUNCIONAMIENTO ENCENDIDO DE LA UNIDAD

PARA SU SEGURIDAD, LEA ESTO ANTES DE ENCENDERLO

ANTES DE ENCENDERLO, huela alrededor del área del artefacto para verificar que no haya olor a gas. Asegúrese de oler cerca del piso ya que algunos gases son más pesados que el aire y se acumulan en el piso.

Use únicamente su mano para abrir la llave de control del gas. Nunca use herramientas. No use demasiada fuerza para mover la llave desde la posición de apagado a la de encendido. El forzarla o intentar repararla puede causar un incendio o explosión.

Los calentadores MHU 50/80 están equipados con un sistema automático de encendido por chispa. No tienen piloto. En caso de un apagado de seguridad, mueva la llave del termostato a OFF (apagado), y luego vuelva a colocarla en la posición de HEAT (calefacción).

Si se produce un sobrecalentamiento, o si el suministro de gas no se cierra, cierre la llave manual de gas que alimenta el artefacto antes de desconectar la energía eléctrica.

FUNCIONAMIENTO DE LA VÁLVULA DE GAS PARA LAS VÁLVULAS HONEYWELL SERIE VR8205M (FIGURA 10)

1. **¡DETÉNGASE!** Lea la información de seguridad al principio de esta sección.
2. Coloque el termostato en su posición más baja.
3. Desconecte toda alimentación eléctrica al artefacto.
4. Este artefacto está equipado con un dispositivo de ignición que enciende el quemador automáticamente. **NO** intente encender los quemadores de forma manual.
5. Hay una perilla giratoria negra que se puede mover entre las posiciones de encendido y apagado. Gire la perilla a la posición "off" (apagado). (Ver Figura 10).
6. Espere cinco minutos para que se disipe el gas. ¡Si aún siente olor a gas, **DETÉNGASE!** Llame inmediatamente a la compañía de gas desde el teléfono de un vecino. Siga las instrucciones de la compañía de gas. Si no siente olor a gas, continúe con el paso siguiente.
7. Gire la perilla negra a la posición "ON" (encendido).
8. Conecte la energía eléctrica a la unidad.
9. Coloque el termostato en la posición deseada.
10. Se encenderá el soplador de aire de combustión. Los quemadores se encenderán dentro de los 40 segundos.

- Si la unidad no enciende la primera vez (la línea de gas no ha sido totalmente purgada), realizará otros dos intentos de ignición antes de bloquearse.
- Si se produce el bloqueo, repita los pasos 1 a 9.
- Si el artefacto aún no funciona, siga las instrucciones "PARA DESCONECTAR EL GAS DE LA UNIDAD" y llame al técnico calificado o al suministrador de gas.

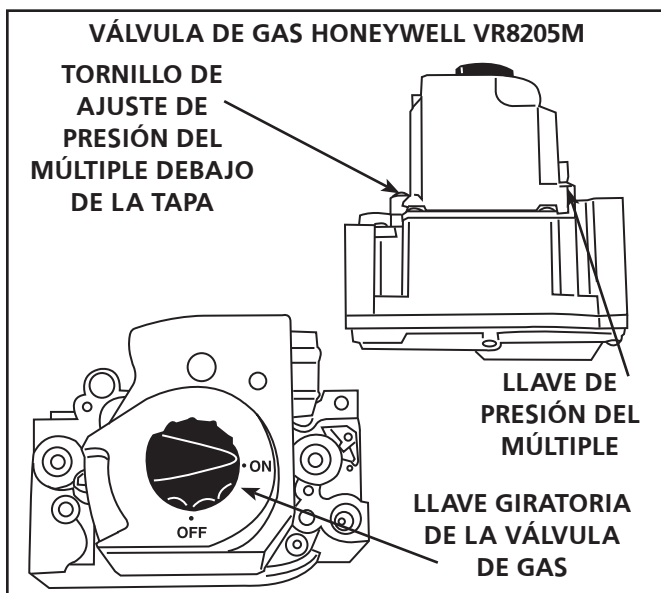


FIGURA 10

PARA DESCONECTAR EL GAS DE LA UNIDAD

- Coloque el termostato en el nivel más bajo.
- Si se va a reparar la unidad, desconecte la unidad de la energía eléctrica.
- Gire la perilla a la posición "OFF" (apagado).

SECUENCIA OPERATIVA DE CALEFACCIÓN

- Cuando el termostato demanda calor, el soplador de aire de combustión se enciende de inmediato.
- El presostato del aire de combustión comprueba el funcionamiento del soplador antes de dar energía al controlador de ignición. Este presostato viene configurado de fábrica y no necesita ajustes.
- Luego de una purga previa de aproximadamente 30 segundos, se energiza la ignición por chispa y se abren las válvulas de solenoide de la válvula de gas.
- La chispa luego enciende el gas, el sensor de ignición comprueba la llama y el proceso de combustión continúa.
- Si no se detecta la llama luego de la primera prueba de ignición de 10 segundos, el controlador repetirá los pasos 3 y 4 dos veces más antes de bloquear la válvula de gas. El control de ignición repetirá automáticamente los pasos 3, 4 y 5 luego de 60 minutos. Para interrumpir el bloqueo de 60 minutos, mueva el termostato desde la posición "HEAT" (calefacción) hasta la posición "OFF" (apagado), y luego regréselo a "HEAT." La secuencia de calefacción se reinicia en el paso 1.
- Los quemadores se encenderán sin retardo de transición notable. No habrá elevación de la llama en los cabezales del quemador, ni tampoco retroceso de la llama o calcinación dentro del quemador. Las llamas serán predominantemente de color azul y estarán aproximadamente en el centro de los tubos sin contacto evidente.
- El control de ignición energizará el ventilador aproximadamente 45 segundos luego de producirse la ignición.
- Luego de satisfacer la demanda del termostato, se cierra la válvula de gas; 5 segundos después de satisfacer la demanda, se apaga el soplador de aire de combustión.

- El centro de control apagará el ventilador del sistema aproximadamente 150 segundos después de desconectar la energía de la válvula de gas.

LED DEL CONTROL DE IGNICIÓN

El tablero de control de ignición tiene un LED verde que indica lo siguiente:

LED	FUNCIONAMIENTO DE LA UNIDAD
Destello lento*	Funcionamiento normal, sin demanda de calor
Destello rápido	Funcionamiento normal, demanda de calor Señal de corriente de entre 0.6 y 1.0 microamperes en terminal de LLAMA
2 destellos	Sistema bloqueado, no pudo detectar o mantener la llama Señal de corriente <0.6 microamperes en terminal de LLAMA
3 destellos	El presostato no se cerró antes de energizar SAC o no se abrió después de energizar SAC
4 destellos	Interruptor de seguridad o de límite alto abierto
5 destellos	Llama detectada y válvula de gas sin energizar
Apagado continuo	Pérdida de energía
Encendido continuo	Falla en el control de ignición

* Si el termostato se coloca en modo de ventilador continuo, el LED destellará lentamente.

TABLA 3
LED DEL CONTROL DE IGNICIÓN

AJUSTES A GRAN ALTURA

Las unidades se pueden encender a máxima potencia a una altura de hasta 610 m (2000 pies) sobre el nivel del mar. Arriba de los 610 m (2000 pies), se deberá ajustar la presión del colector en algunas unidades. Ajuste el regulador de presión a la presión que se indica en la **tabla 4** para gas natural y en la **tabla 5** para gas propano/licuado.

FLUJO DE GAS

Para comprobar que el flujo de gas hacia la cámara de combustión sea correcto, determine la potencia en Btu a partir de la placa de especificaciones del artefacto. Divida la potencia nominal por las Btu por pies cúbicos del gas disponible. El resultado es la cantidad requerida de pies cúbicos por hora. Determine el flujo de gas en el medidor durante dos minutos y multiplique por 30 para obtener el flujo de gas por hora.

PRESIÓN DE GAS

- Verifique la presión de línea del gas con la unidad encendida a máxima potencia. Para el funcionamiento correcto de la unidad, se debe mantener un mínimo de 1,24 Kpa (5.0" w.c.) para gas natural o de 2,6 Kpa (10.9" w.c.) para gas propano/licuado.
- Luego de verificar y ajustar la presión de línea, compruebe la presión del colector. La presión del colector correcta se muestra en la placa de especificaciones de la unidad. Consulte la **figura 10** para ver la ubicación del tornillo de ajuste de la presión de gas. Para convertir la unidad, se requiere un juego de conversión de gas natural a gas propano/licuado. Para ver el procedimiento de conversión, consulte las instrucciones de instalación suministradas con el juego de conversión.

TABLA 4

PRESIONES DE COLECTOR DE GAS NATURAL - PULGADAS DE AGUA (KPA)

MHU 50/80	PIES DE ALTITUD (M)	
	0-2000 (0-610)	2000-4500 (610-1370)
50/80	4.0 (0.99)*	3.6 (0.89)
* No requiere ajuste.		

TABLA 5

PRESIONES DE COLECTOR DE GAS PROPANO/ LICUADO - PULGADAS DE AGUA (KPA)

MHU 50/80	PIES DE ALTITUD (M)	
	0-2000 (0-610)	2000-4500 (610-1370)
50/80	10.5 (2.62)*	8.5 (2.12)
* No requiere ajuste.		

CONTROL DE LÍMITE

El interruptor de control de límite viene configurado de fábrica y no puede ser ajustado por el usuario.

AJUSTE DE ÁLABES DE LAS BOCAS DE VENTILACIÓN

Gire los álabes de las bocas de ventilación para dirigir el flujo de aire hacia arriba, hacia abajo, en forma recta o en cualquier combinación de estas direcciones. Si la unidad se instala en posición invertida, las bocas de ventilación se pueden ubicar de la misma manera.

PRESOSTATO DE AIRE DE COMBUSTIÓN

El presostato comprueba el funcionamiento correcto del soplador de aire de combustión antes de permitir la prueba de ignición. El presostato viene configurado de fábrica y no necesita ajustes por parte del usuario.

INTERRUPTOR LÍMITE DE LLAMA

El o los interruptores límite de llama se encuentran arriba de la caja del quemador, detrás del tablero de control de ignición. Este interruptor, normalmente cerrado, se abre ante el aumento de temperatura. Antes de reposicionar el interruptor manualmente, compruebe que el aire de combustión sea adecuado.

MANTENIMIENTO

AVISO Desconecte el gas y la energía eléctrica de la unidad antes de realizar cualquier operación de reparación o mantenimiento. Recuerde seguir las instrucciones de encendido cuando vuelva a poner en funcionamiento la unidad luego de repararla o hacer mantenimiento.

Si debe reemplazar alguno de los cables originales suministrados con el artefacto, deberá hacerlo con material de cableado que tenga una temperatura nominal de, al menos, 105 °C.

No utilice este artefacto si alguna de las piezas hubiera estado sumergida en agua. Llame de inmediato a un técnico calificado para que inspeccione el artefacto y reemplace el control de gas que estuvo sumergido en agua.

QUEMADORES

- Examine periódicamente la llama de los quemadores para comprobar que su aspecto sea correcto durante la temporada de calefacción.
- Antes de cada temporada de calefacción, examine los quemadores en busca de posibles depósitos u obstrucciones.
- Limpie los quemadores de la siguiente manera:
 - Desconecte la unidad del suministro de gas y de energía eléctrica.
 - Desconecte la tubería de suministro de gas y los conductores del sensor y de alta tensión. Retire el colector de gas. Retire la bandeja de quemadores.
 - Limpie los quemadores según sea necesario. Asegúrese de que los cabezales de los quemadores se alineen correctamente para permitir el cruce de la llama. Verifique la separación entre chispas del electrodo y ajuste si es necesario. La separación debe ser de entre 2,79 mm y 3,56 mm (0.110 pulgada y 0.140 pulgada). La separación se puede comprobar con brocas helicoidales del tamaño adecuado o con un calibrador de separaciones.
 - Vuelva a colocar la bandeja de quemadores, el colector de gas y los conductores del sensor y de alta tensión. Vuelva a conectar la tubería de suministro de gas.
 - Restablezca el suministro de gas y de energía eléctrica. Siga las instrucciones de encendido para encender la unidad. Compruebe que se hayan encendido los quemadores.
- Limpie las rejillas de filtro del quemador de la siguiente forma:
 - Desconecte la unidad del suministro de gas y de la energía eléctrica.
 - Saque la rejilla del filtro de entrada al quemador presionándolo y tirando hacia afuera.
 - Con la rejilla fuera del calentador, límpiela con agua y jabón suave o soplela con aire comprimido (no apunte hacia usted).
 - Seque bien la rejilla con aire y verifique que todos los conductos de aire de la rejilla estén completamente abiertos.
 - Vuelva a colocar la rejilla en la abertura del quemador.
 - Restablezca el suministro de gas y de energía eléctrica.
 - Siga las instrucciones de encendido para encender la unidad. Compruebe que se hayan encendido los quemadores.

CONDUCTO Y CAJA DE GAS DE COMBUSTIÓN

Antes de cada temporada de calefacción, se deben inspeccionar y limpiar los conductos y la caja del gas de combustión. La secuencia de operación debe ser la siguiente:

- Desconecte la unidad del suministro de gas y de energía eléctrica.
- Desconecte el cableado del soplador de aire de combustión.
- Retire los tornillos que fijan el box de gas de combustión a la unidad. Retire el box de gas de combustión. Si es necesario, retire el ensamble del soplador del box de gas de combustión. Limpie el box de gas de combustión con un cepillo de alambre.
- Retire el soporte de retención de los turbuladores y los turbuladores. Limpie los turbuladores con un cepillo de alambre.
- Retire los quemadores como se describe en la sección "QUEMADORES".
- Limpie los tubos con un cepillo de alambre.
- Vuelva a ensamblar la unidad. Durante el ensamble, también se deben reemplazar las juntas del box de gas de combustión y de aire de combustión.
- Restablezca el suministro de gas y de energía eléctrica. Siga las instrucciones de encendido para encender la unidad. Verifique el funcionamiento de la unidad.

SOPLADOR DE AIRE DE COMBUSTIÓN

En condiciones normales de funcionamiento, se debe verificar y limpiar el soplador de aire de combustión antes de la temporada de calefacción con el suministro eléctrico desconectado. Utilice un cepillo pequeño para limpiar la rueda del soplador.

SISTEMA ELÉCTRICO

1. Revise todo el cableado para comprobar que no haya conexiones sueltas.
2. Compruebe que el voltaje de la unidad sea correcto (unidad en funcionamiento).
3. Verifique el amperaje.

GAS DE COMBUSTIÓN Y CHIMENEA

Verifique que todas las juntas de la ventilación y del conector de ventilación estén ajustadas. Asegúrese de que las conexiones estén selladas y que no haya obstrucciones.

FALLA DE FUNCIONAMIENTO

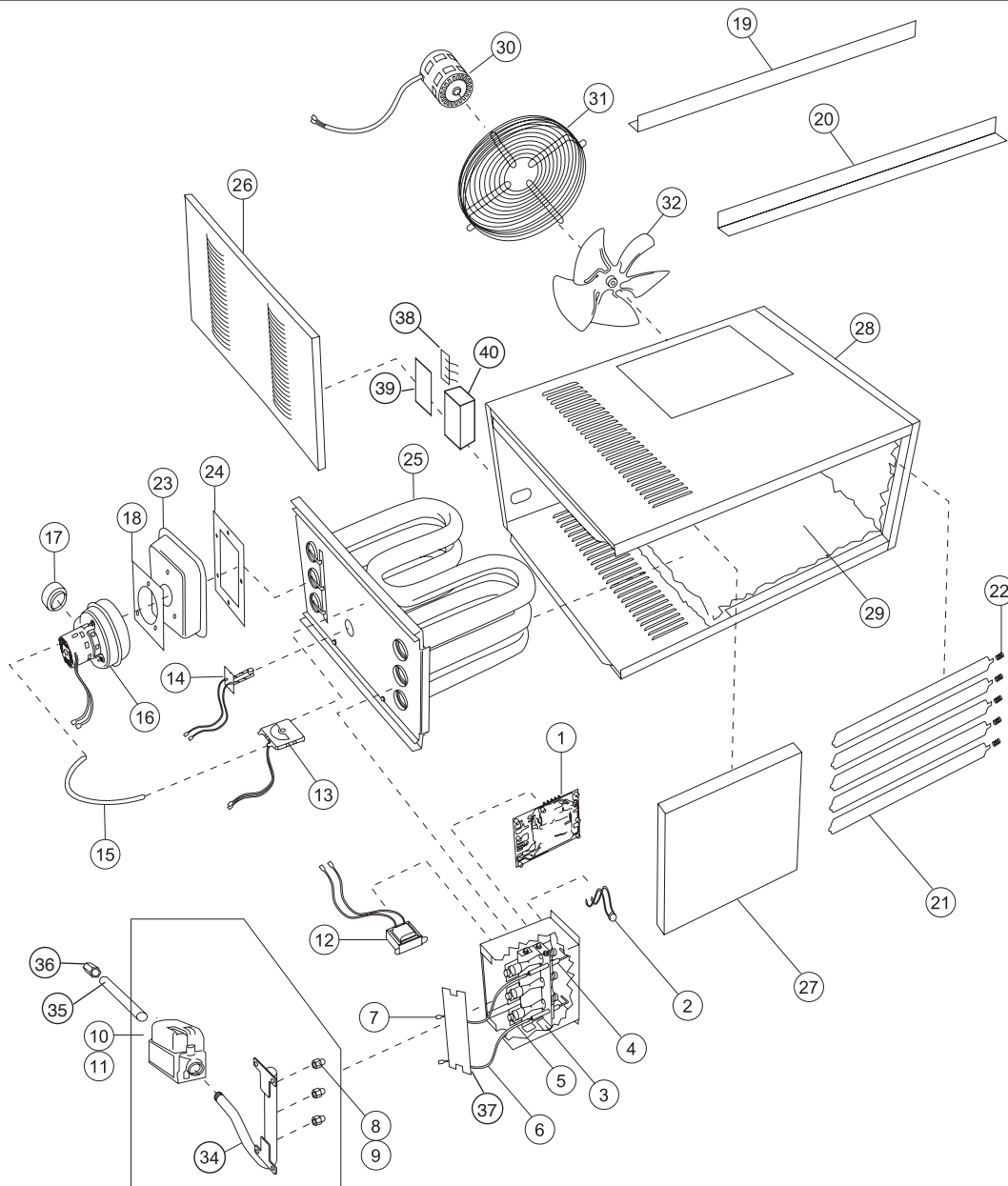
Si la unidad no funciona, verifique lo siguiente:

1. ¿El termostato demanda calor?
2. ¿El desconectador principal está cerrado?
3. ¿Se desconectó un disyuntor o se quemó un fusible?
4. ¿El gas está abierto en el medidor?
5. ¿La válvula de cierre manual está abierta?
6. ¿El sistema de ignición de la unidad está bloqueado? Si la unidad se vuelve a bloquear, llame a un técnico calificado para que la inspeccione.
7. ¿Está cerrado el presostato? La obstrucción del gas de combustión hará que la unidad cierre el presostato. Verifique el paso y la salida del gas de combustión.

REPUESTOS

Al hacer un pedido de repuestos, incluya el número completo de modelo de la unidad que figura en la placa de especificación de la unidad. Por ejemplo: MHU50/80.

Mr. Heater • Unidad compacta/Calentador • Modelo N.º MHU 50/80



LISTA DE PIEZAS:

VER AL DORSO LA INFORMACIÓN PARA ORDENAR PARTES

REF.	DESCRIPCIÓN	PARTE N° DE 50	CANTIDAD	PARTE N° DE 80	CANTIDAD
1.....	PLACA DE CIRCUITO	60105.....	1.....	S/A.....	1
2.....	SENSOR DE LÍMITE	60022.....	1.....	60021.....	2
3.....	ENCENDEDOR DE ELECTRODO	60035.....	1.....	S/A.....	1
4.....	SENSOR DE ELECTRODO	60040.....	1.....	S/A.....	1
5.....	QUEMADOR	60050.....	3.....	60191.....	5
6.....	CONDUCTOR DE IGNICIÓN.....	60045.....	1.....	S/A.....	1
7.....	CONDUCTOR DE SENSOR	60046.....	1.....	S/A.....	1
8.....	ORIFICIO (GAS NATURAL).....	60049.....	3.....	S/A.....	5
9.....	ORIFICIO (GAS LICUADO).....	60056.....	3.....	S/A.....	5
10.....	VÁLVULA DE GAS (GAS NATURAL).....	02812.....	1.....	S/A.....	1
11.....	VÁLVULA DE GAS (GAS LICUADO).....	02811.....	1.....	S/A.....	1
12.....	TRANSFORMADOR	60025.....	1.....	S/A.....	1
13.....	PRESOSTATO	60147.....	1.....	60146.....	1
14.....	SENSOR LÍMITE ALTO DEL INTERC. DE CALOR	60015.....	1.....	S/A.....	1
15.....	TUBO DEL PRESOSTATO	60031.....	1.....	S/A.....	1
16.....	MOTOR DE TIRO INDUCIDO	60020.....	1.....	S/A.....	1
17.....	ADAPTADOR DE VENTILACIÓN	60130.....	1.....	60140.....	1
18.....	JUNTA DEL MOTOR DE TIRO INDUCIDO	60135.....	1.....	S/A.....	1
19.....	SOPORTE POSTERIOR	60075.....	1.....	S/A.....	1
20.....	SOPORTE DELANTERO	60080.....	1.....	S/A.....	1
21.....	BOCAS DE VENTILACIÓN	60100.....	5.....	S/A.....	7
22.....	RESORTE DE BOCA DE VENTILACIÓN	60103.....	5.....	S/A.....	7
23.....	CAJA DE GAS DE COMBUSTIÓN	60189.....	1.....	60190.....	1
24.....	JUNTA DE CAJA DE GAS DE COMBUSTIÓN.....	60090.....	1.....	60092.....	1
25.....	INTERCAMBIADOR DE CALOR.....	60065.....	1.....	60068.....	1
26.....	PUERTA DE ACCESO	60070.....	1.....	60072.....	1
27.....	PORTE DELANTERA	60095.....	1.....	60097.....	1
28.....	PUERTA LATERAL	60110.....	1.....	60112.....	1
29.....	ENVOLTURA	60115.....	3.....	60117.....	3
30.....	MOTOR DE VENTILADOR	60055.....	1.....	60054.....	1
31.....	PROTECTOR DE VENTILADOR	60120.....	1.....	60122.....	1
32.....	CONJUNTO DE VENTILADOR	60125.....	1.....	60127.....	1
33*	ARRANCADOR CON CONDENSADOR			28788.....	1
34.....	COLECTOR	60062.....	1.....	60064.....	1
35.....	TUBERÍA DE ENTRADA.....	60132.....	1.....	S/A.....	1
36.....	ACOPLE DE ENTRADA.....	60131.....	1.....	S/A.....	1
37.....	REJILLA DEL QUEMADOR.....	60142.....	1.....	S/A.....	1
38.....	TERMINAL DEL TERMOSTATO	60144.....	1.....	S/A.....	1
39.....	CAJA DE CONEXIONES DE CABLES	60159.....	1.....	S/A.....	1
40.....	TAPA, CAJA DE CONEXIONES DE CABLES	60160.....	1.....	S/A.....	1
No se muestra.....	SOPORTE DE VÁLVULA DE GAS.....	60158.....	1.....	S/A.....	1
* No se muestra					
Componentes opcionales de instalación					
	TERMOSTATO DE 24V			F210359.....	
	JUEGO DE VENTILACIÓN VERTICAL DE 4" (80).....			F102848.....	
	JUEGO DE VENTILACIÓN VERTICAL DE 3" (50).....			F102840.....	
	JUEGO DE VENTILACIÓN HORIZONTAL DE ACERO INOXIDABLE DE 4" (80).....			F102860.....	
Juegos de conversión de gas					
De gas natural a propano licuado					
	MHU 50/80 50.000 y 80.000 BTU			F260163.....	
De propano licuado a gas natural					
	MHU 50/80 50.000 y 80.000 BTU			F260164.....	



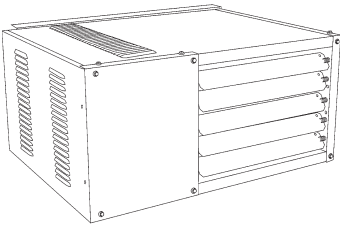
INSTRUCCIONES DE USO Y MANUAL DEL USUARIO

Modelo N.º

MHU 50

MHU 80

LEA CUIDADOSAMENTE LAS INSTRUCCIONES: lea y siga todas las instrucciones. Conserve estas instrucciones en un lugar seguro para futura referencia. No permita que nadie que no haya leído estas instrucciones arme, encienda, ajuste o use el calentador.



Modelo	Número de serie inicial
MHU50NG	LN260420-12001001
MHU50LP	LN260410-12001001
MHU80NG	LN260440-12001001
MHU80LP	LN260430-12001001

ADVERTENCIA:

UTILICE ÚNICAMENTE REPUESTOS DEL FABRICANTE. EL USO DE CUALQUIER OTRO REPUESTO PUEDE CAUSAR LESIONES O LA MUERTE. LOS REPUESTOS SÓLO ESTÁN DISPONIBLES DIRECTAMENTE DE FÁBRICA Y DEBEN SER INSTALADOS POR UNA AGENCIA DE REPARACIÓN CALIFICADA.

INFORMACIÓN PARA REALIZAR PEDIDOS DE PIEZAS:

COMPRAS: Los accesorios pueden comprarse en cualquier distribuidor local de Mr. Heater, o directamente de la fábrica.

SI DESEA OBTENER INFORMACIÓN ACERCA DE REPARACIONES

Llame sin cargo al 800-251-0001 • www.mrheater.com • www.Mr.Heater.com
Nuestro horario de trabajo es de 8:30 a. m. a 5:00 p. m., hora del este, de lunes a viernes. Incluya el número de modelo, la fecha de compra y la descripción del problema en todas sus comunicaciones.

GARANTÍA LIMITADA

La empresa garantiza que este producto no presenta imperfecciones de material o mano de obra cuando se usa normal y debidamente de acuerdo con las instrucciones de la Empresa, por un período de tres años en las piezas (limitado) y de 10 años en el intercambiador de calor, a partir de la fecha de entrega al comprador. La Empresa, según su criterio, reparará o cambiará los productos devueltos por el comprador a la fábrica, con transporte prepago dentro de dicho período de un año y cuando la Empresa determine que los productos tienen imperfecciones de material o mano de obra.

Si alguna de las piezas está dañada o si le falta alguna, llame al Departamento de Asistencia Técnica al 800-251-0001.

Dirija sus reclamos de garantía a la siguiente dirección: Service Department, Mr. Heater, Inc., 4560 W. 160TH ST., CLEVELAND, OHIO 44135. Incluya su nombre, dirección y número telefónico en su comunicación, y los detalles relacionados con el reclamo. Además, infórmenos la fecha de la compra y el nombre y la dirección del proveedor de quien adquirió nuestro producto.

La información precedente constituye el alcance total de la responsabilidad de la Empresa. No existe ningún otro tipo de garantía, explícita ni implícita. En particular, no existen garantías de aptitud para un fin específico ni de comercialización. La Empresa no será responsable en ninguna circunstancia por el retraso causado por las imperfecciones, los daños indirectos o los cargos de cualquier tipo de gasto realizado sin el consentimiento de la empresa por escrito. La única solución por el incumplimiento de la garantía será el pago de los costos de reparación o cambio. No existe ninguna garantía por problemas similares y ninguna garantía implícita derivada de la negociación o el uso comercial. Esta garantía no será válida para ningún producto que haya sido reparado o alterado fuera de la fábrica de cualquier manera que en nuestra opinión afecte su estado o funcionamiento.

En algunos estados está prohibida la exclusión o limitación de los daños fortuitos o indirectos, por eso es posible que la limitación o exclusión anterior no se aplique a su caso. Esta Garantía le confiere derechos legales específicos y es posible que usted tenga otros derechos que varían según el estado.

Mr. Heater, Inc. se reserva el derecho a hacer cambios en cualquier momento, sin previo aviso ni obligación, en los colores, las especificaciones, los accesorios, los materiales y los modelos.

REGISTRO DEL PRODUCTO: Gracias por su compra.

Inicie sesión en <http://www.egiregistration.com> para registrar su producto.



ANDIZ83 8-2009 CSA 2.6-2009
UNIDAD / CALENTADOR
CSA .10.96 U.S. (2. ED.)
CALENTADOR PARA INSTALACIÓN RESIDENCIAL
CATEGORÍA I

Mr. Heater, INC., 4560 W. 160TH ST., CLEVELAND, OHIO 44135 • 216-916-3000
Mr. Heater es una marca registrada de Mr. Heater, Inc.
© 2003, Mr. Heater. Todos los derechos reservados.

Unidad compacta/Calentador

S-16

Instrucciones de uso y manual del usuario



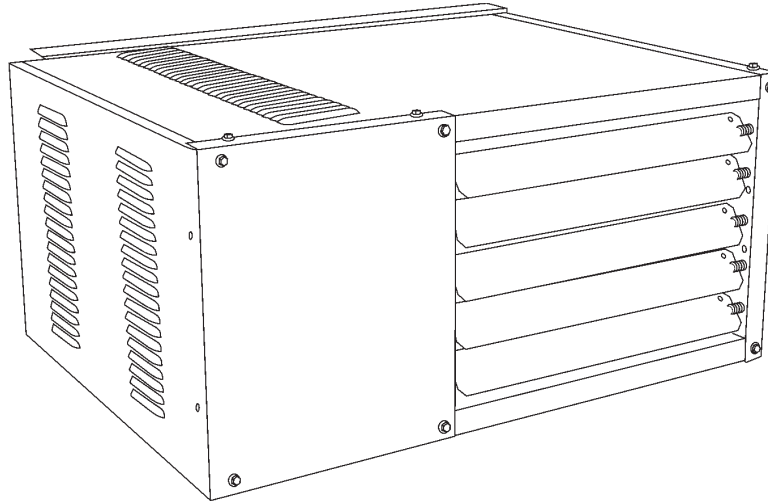
GUIDE D'UTILISATION ET MANUEL DU PROPRIÉTAIRE

Modèle n°

MHU 50

MHU 80

LISEZ SOIGNEUSEMENT LES INSTRUCTIONS : Lisez et observez toutes les instructions. Conservez ces instructions dans un endroit sécuritaire pour vous y référer ultérieurement. Ne permettez pas à quiconque n'ayant pas lu les présentes instructions d'assembler, d'allumer, de régler ou de faire fonctionner l'appareil.



Pour les numéros de série
modèles, voir la page F16.

APPAREIL DE CHAUFFAGE COMPACT POUR USAGE COMMERCIAL
RADIATEUR UTILITAIRE COMPACT POUR USAGE RÉSIDENTIEL

LANGUES

ANGLAIS

Pages E1 — E16

ESPAGNOL

Pages S1 — S16

FRANÇAIS

Pages F1 — F16

AVERTISSEMENT : toute installation, réglage, modification, réparation ou entretien inapproprié peut causer des blessures ou des dommages matériels. Veuillez consulter ce guide d'utilisation. Pour obtenir de l'aide ou des renseignements complémentaires, consultez un installateur qualifié, un fournisseur de services d'entretien ou la compagnie de gaz.

EN PRÉSENCE D'UNE ODEUR DE GAZ

- Ouvrez les fenêtres
- **NE TENTEZ PAS** d'allumer un quelconque appareil.
- **N'UTILISEZ PAS** les interrupteurs électriques.
- **N'UTILISEZ AUCUN** téléphone de la maison. Appelez immédiatement votre compagnie de gaz à partir du téléphone d'un voisin. Suivez les instructions de la compagnie de gaz.
- **Ne touchez** à aucun interrupteur électrique ; n'utilisez aucun téléphone dans l'immeuble.
- L'installation et les réparations doivent être effectuées par un installateur qualifié, un professionnel qualifié ou la compagnie de gaz.
- Si vous n'arrivez pas à joindre votre compagnie de gaz, appelez le service des incendies.

POUR VOTRE SÉCURITÉ :

n'entreposez et n'utilisez pas d'essence ou d'autre liquide ou produit dégageant des vapeurs inflammables à proximité de cet appareil ou de tout autre appareil.

AVERTISSEMENT : tout manquement à ces instructions est susceptible d'entraîner une explosion ou un incendie pouvant causer des dommages matériels, des blessures graves ou la mort.

AVERTISSEMENT :

⚠ VOTRE SÉCURITÉ EST IMPORTANTE POUR VOUS ET POUR LES AUTRES, PAR CONSÉQUENT VEUILLEZ LIRE CES DIRECTIVES AVANT DE FAIRE FONCTIONNER CET APPAREIL DE CHAUFFAGE.

AVERTISSEMENT GÉNÉRAL DE DANGER :

⚠ LE NON-RESPECT DES MESURES DE PRÉVENTION ET DES INSTRUCTIONS FOURNIES AVEC CET APPAREIL DE CHAUFFAGE RISQUE DE CAUSER LA MORT, DES BLESSURES GRAVES ET DES DOMMAGES OU DES PERTES MATÉRIELLES RÉSULTANT D'INCENDIE, D'EXPLOSION, DE BRÛLURE, D'ASPHYXIE, D'INTOXICATION AU MONOXYDE DE CARBONE ET/OU D'ÉLECTROCUTION.

⚠ SEULES LES PERSONNES APTES À COMPRENDRE ET À RESPECTER LES INSTRUCTIONS DEVRAIENT UTILISER OU EFFECTUER LE SERVICE DE CET APPAREIL DE CHAUFFAGE.

⚠ SI VOUS AVEZ BESOIN D'AIDE OU D'INFORMATION CONCERNANT L'APPAREIL DE CHAUFFAGE TELLE QUE MANUEL D'INSTRUCTIONS, ÉTIQUETTES, ETC., VEUILLEZ COMMUNIQUER AVEC LE FABRICANT.

AVERTISSEMENT :

⚠ DANGER D'INCENDIE, DE BRÛLURE, D'INHALATION ET D'EXPLOSION. GARDEZ LES COMBUSTIBLES SOLIDES TELS QUE LES MATÉRIAUX DE CONSTRUCTION, LE PAPIER ET LE CARTON À UNE DISTANCE SÉCURITAIRE DE L'APPAREIL DE CHAUFFAGE TEL QUE RECOMMANDÉ DANS LES INSTRUCTIONS. N'UTILISEZ JAMAIS L'APPAREIL DE CHAUFFAGE DANS UN ENDROIT QUI CONTIENT OU RISQUE DE CONTENIR DES COMBUSTIBLES VOLATILES OU EN SUSPENSION DANS L'AIR, OU DES PRODUITS TELS QUE DE L'ESSENCE, DES SOLVANTS, DU DILUANT À PEINTURE, DES PARTICULES DE POUSSIÈRE OU DES PRODUITS CHIMIQUES INCONNUS.

L'ÉTAT DE CALIFORNIE EXIGE QUE LES AVERTISSEMENTS SUIVANTS SOIENT FOURNIS :

AVERTISSEMENT : Les sous-produits de combustion émis lors de l'utilisation de cet appareil contiennent du monoxyde de carbone, un produit chimique reconnu par l'état de Californie comme pouvant causer le cancer et des malformations congénitales (ou autres dommages au système reproducteur).

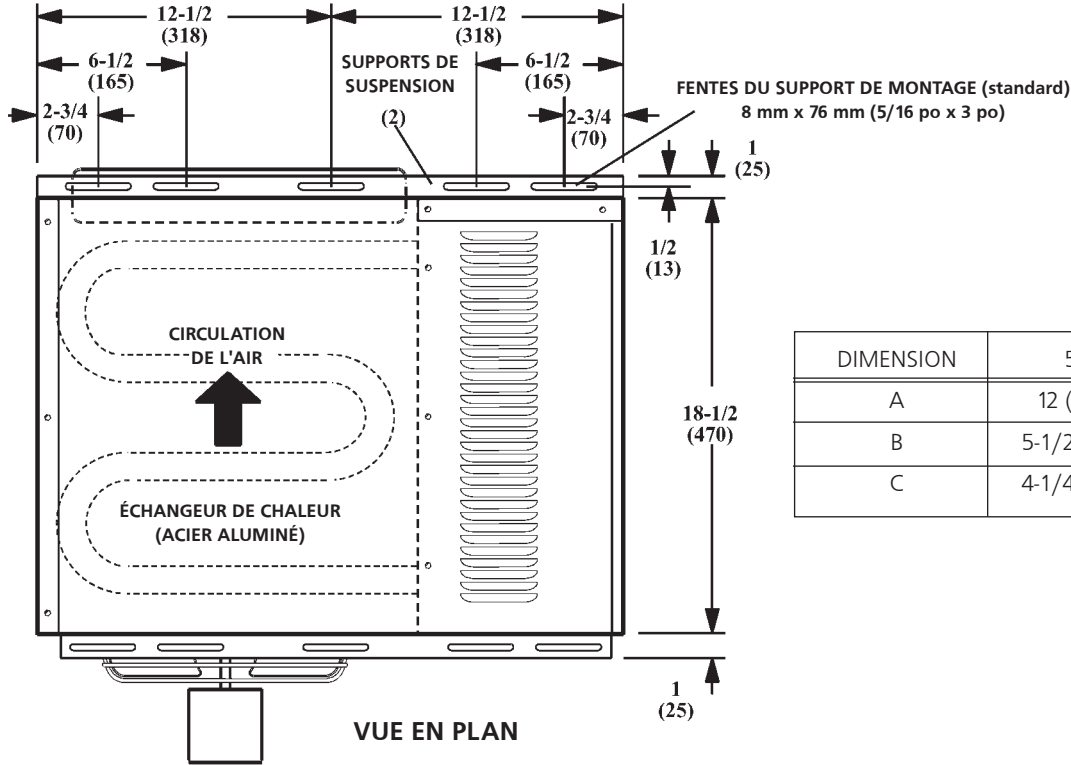
AVERTISSEMENT : Ce produit contient des produits chimiques, dont le plomb, connue à l'État de Californie pour causer le cancer et des malformations congénitales ou autres anomalies de reproduction. **Lavez-vous les mains après manipulation.**

TABLE DES MATIÈRES

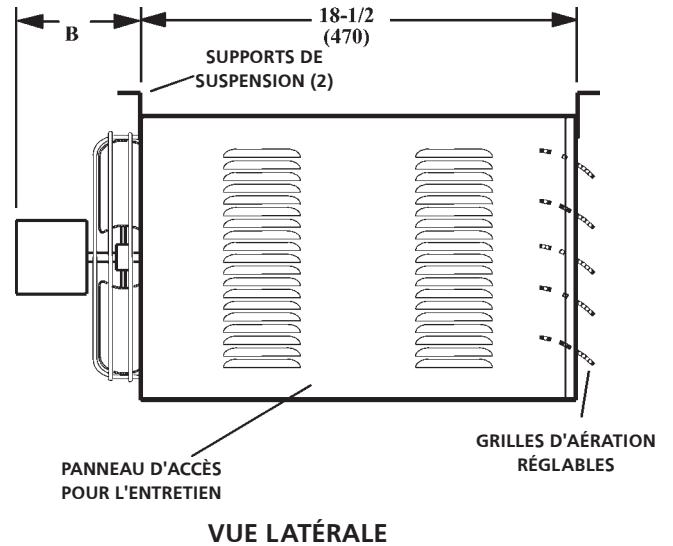
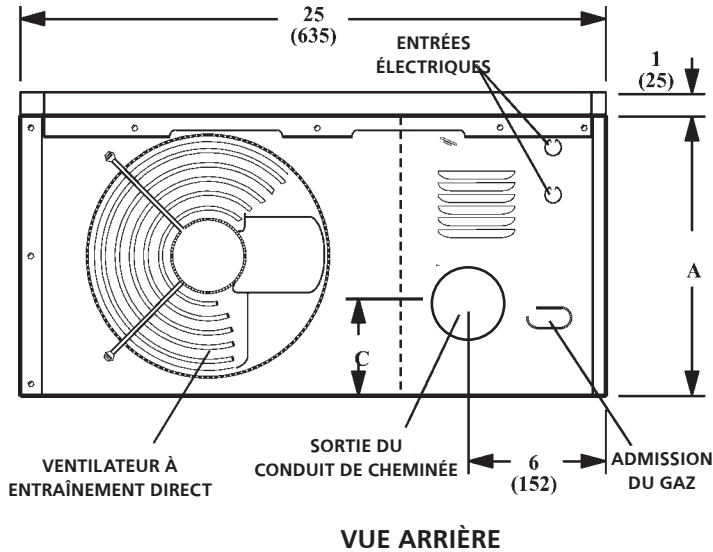
DIMENSIONS DE L'APPAREIL	F-4
EXPÉDITION.....	F-5
EXIGENCES	F-5
INSTALLATION DE L'APPAREIL DE CHAUFFAGE	F-6
AIR DE COMBUSTION ET DE VENTILATION	F-6
VENTILATION.....	F-6-F-10
BRANCHEMENTS ÉLECTRIQUES	F-10
RACCORDEMENT AU GAZ	F-11
RECHERCHE DE FUITES DE GAZ	F-11
DÉMARRAGE	F-11
SÉQUENCE DE FONCTIONNEMENT DU CHAUFFAGE	F-12
DEL DE COMMANDE D'ALLUMAGE	F-12
RÉGLAGES	F-12
ENTRETIEN.....	F-13
SCHÉMA DE CÂBLAGE.....	F-13
LISTE DES PIÈCES	F-14
GARANTIE	F-16

DIMENSION DES APPAREILS MHU 50/MHU 80

(N – GAZ NATUREL, P – PROPANE)



DIMENSION	50	80
A	12 (305)	17 (432)
B	5-1/2 (140)	6-1/2 (165)
C	4-1/4 (108)	6-3/4 (171)



LISTE DE VÉRIFICATION DU DÉMARRAGE ET DU RENDEMENT

Nom du projet : _____	N° du client : _____	Date : _____
Emplacement du projet : _____	Ville : _____	État/Province : _____
Installateur : _____	Ville : _____	État/Province : _____
N° de modèle : _____	N° de série : _____	Technicien du Centre de service : _____
Branchements électriques bien serrés? _____	Raccordements du conduit de cheminée serrés? _____	
Tension d'alimentation _____	Minuteur du ventilateur vérifié? _____	
Branchements de la conduite de gaz bien serrés et fuites recherchées? _____	THERMOSTAT	
Intensité électrique du moteur _____	Calibré? _____	
Puissance de l'appareil de chauffage (BTU) _____	Anticipateur de chaleur réglé correctement? _____	
Pression de la conduite _____	Niveau? _____	
Pression d'admission d'eau _____		

EXPÉDITION

L'appareil de chauffage est entièrement assemblé. Les instructions d'installation, deux supports de montage (non fixés) et un tuyau de transition du conduit de cheminée sont inclus. Vérifiez soigneusement tout dommage qu'aurait pu subir l'appareil de chauffage pendant l'expédition. Si le destinataire de l'appareil détecte de tels dommages, il doit communiquer immédiatement avec le dernier transporteur.

EXIGENCES – CSA AUX É.-U.

L'installation d'appareils de chauffage au gaz doit respecter les codes locaux du bâtiment ou, en l'absence de tels codes, se conformer à la norme ANSI Z223.1 du National Fuel Gas Code.

L'installation dans les hangars d'aéronefs doit être conforme à la version en vigueur de la norme Standard for Aircraft Hangars, ANSI/NFPA 409.

L'installation dans les parcs de stationnement doit être conforme à la version en vigueur de la norme Standard for Parking Structures, ANSI/NFPA 88A.

L'installation dans les garages de réparation doit être conforme à la version en vigueur de la norme Standard for Repair Garages, ANSI/NFPA 88B.

Ces appareils de chauffage sont approuvés pour une utilisation dans des maisons. L'installation dans un garage domestique doit être faite de manière à ce que les brûleurs et la source d'allumage soient situés au moins à 2,44 m (8 pi) au-dessus du sol. L'appareil de chauffage doit être placé ou protégé de manière à éviter que des véhicules ne l'endommagent. Reportez-vous à la norme ANSI Z223.1 du National Fuel Gas Code, édition en vigueur.

Il est fortement conseillé de consulter les organismes de réglementation avant de procéder à une installation conforme NFPA. L'air de combustion et de ventilation doit être conforme aux méthodes décrites dans la norme ANSI Z223.1, article 5.3, Air for Combustion and Ventilation, ou aux dispositions applicables des codes locaux du bâtiment. Le National Fuel Gas Code est disponible à l'adresse suivante :

American National Standard Institute Inc.
11 West 42nd Street
New York, NY 10036, États-Unis

La conception de ces appareils a été certifiée par CSA International. Ces appareils de chauffage sont certifiés pour une installation en respect des distances de sécurité relatives aux matières combustibles, telles qu'indiquées au tableau 1 et sur la plaque signalétique. Vous devez laisser un espace dégagé pour l'accès et l'entretien ainsi qu'une zone de protection contre l'incendie.

Tout le câblage électrique et la mise à la terre de l'appareil doivent être conformes à la version en vigueur du National Electric Code ANSI/NFPA 70.

Le National Electric Code est disponible à l'adresse suivante :

National Fire Protection Association
1 Batterymarch Park
PO Box 9101
Quincy, MA 02269-9101, États-Unis

TABLEAU 1
DISTANCES DE SÉCURITÉ DE L'APPAREIL

Haut		Côtés		Panneau d'accès	
po	mm	po	mm	po	mm
1	25	1	25	18	457
Bas		Arrière		Évent à paroi simple*	
po	mm	po	mm	po	mm
0	0	18	456	6	152

* Excepté pour les manchons d'écartement homologués.

EXIGENCES – CSA AU CANADA

Les présentes instructions ne constituent que des directives générales et ne remplacent en aucun cas les codes locaux. Il est fortement conseillé de consulter les organismes de réglementation avant l'installation. L'installation doit respecter les codes locaux du bâtiment ou, en l'absence de tels codes, se conformer à la norme CSA B149.1 en vigueur du Code d'installation du gaz naturel et du propane. Tout le câblage électrique et la mise à la terre de l'appareil doivent également respecter la norme CSA C22.1 de l'édition en vigueur du Code canadien de l'électricité.

Ces appareils de chauffage sont certifiés par CSA International pour les autorisations aux matériaux combustibles figurant sur la plaque signalétique et le **tableau 1**. Un dégagement suffisant autour des ouvertures d'air dans la chambre de combustion, des dégagements des matériaux combustibles et la dispositions relatives à l'accessibilité pour la combustion et l'alimentation en ventilation d'air sont requis. Des dispositions doivent être prises pour l'accessibilité de service à l'appareil de chauffage. Notez que les dégagements de protection contre les incendies peuvent être augmentés afin de fournir un espace supplémentaire pour l'entretien et l'accessibilité.

INSTALLATIONS DANS UN GARAGE :

L'installation dans les parcs de stationnement doit être conforme à la version en vigueur de la norme Standard for Parking Structures, ANSI/NFPA 88A.

L'installation dans les garages de réparation doit être conforme à la version en vigueur de la norme Standard for Repair Garages, ANSI/NFPA 88B.

1. Dans une aire d'entreposage, la distance de sécurité entre les appareils de chauffage et toute matière combustible doit être suffisante pour empêcher ce combustible d'atteindre une température de plus de 71 °C (160 °F) lorsque l'appareil fonctionne en continu.
2. Il faut conserver une distance d'au moins 2,44 m (8 pi) entre le sol et le dessous de l'appareil. Respectez la norme CSA B149.1 du Code d'installation du gaz naturel et du propane.

HANGARS D'AÉRONEFS :

L'installation d'appareils de chauffage au gaz doit respecter les codes locaux du bâtiment ou, en l'absence de tels codes, se conformer à la norme ANSI Z223.1 du National Fuel Gas Code.

1. Dans une aire où les avions sont enfermés ou révisés, il convient de respecter en tout temps une distance de sécurité minimale de 3 m (10 pi) entre la partie la plus haute de l'avion et le dessous de l'appareil de chauffage.
2. Dans les autres lieux, conservez une distance minimale de 2,44 m (8 pi) entre le sol et le dessous de l'appareil.
3. Les appareils de chauffage doivent être placés de manière à être protégés de tout dommage que pourrait causer l'avion ou des appareils nécessaires aux travaux d'entretien. Consultez les exigences des autorités réglementaires.

Ces appareils de chauffage sont approuvés pour une utilisation dans des maisons. En cas d'installation dans un garage domestique, ces appareils doivent être installés de manière à ce que les brûleurs et la source d'allumage soient situés à au moins 457 mm (18 po) au-dessus du sol. L'appareil de chauffage doit être placé ou protégé de manière à éviter que des véhicules ne l'endommagent. Respectez la norme CSA B149.1 de l'édition en vigueur du Code d'installation du gaz naturel et du propane.

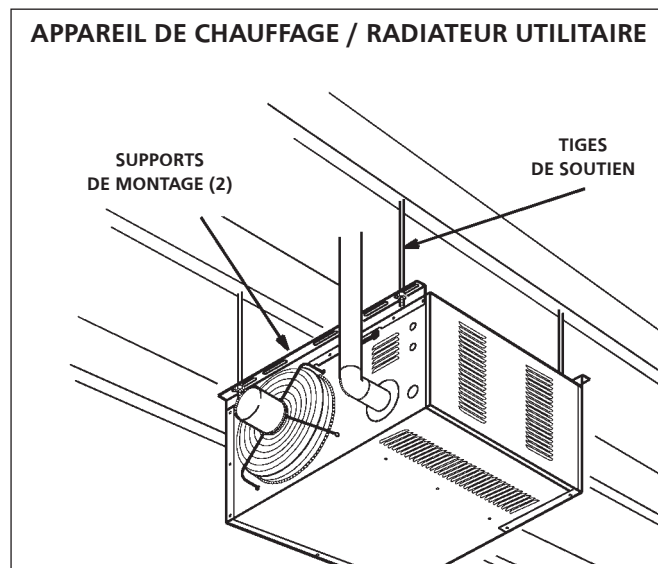
Dans un espace confiné, l'appareil de chauffage doit être installé conformément à la norme CSA B149.1 du Code d'installation du gaz naturel et du propane. Assurez-vous d'avoir consulté les codes et ordonnances locales pour connaître les exigences additionnelles.

INSTALLATION DE L'APPAREIL DE CHAUFFAGE

L'appareil est livré prêt à l'installation. Vous pouvez l'installer comme illustré à la **figure 1** ou en position inversée à 180°, selon le lieu, en tenant compte des distances de sécurité, du raccord de ventilation, du sens de circulation de l'air, de l'alimentation en gaz, de l'alimentation électrique et de l'accessibilité pour les réparations et l'entretien.

1. Pour installer l'appareil en position inverse : enlevez et conservez les vis de fixation de la porte et faites pivoter celle-ci de 180°. Fixez la porte à l'aide des vis conservées. Faites pivoter les grilles d'aération pour diriger le débit d'air comme désiré.
2. Choisissez l'endroit où fixer les supports de montage.
3. Enlevez et conservez les trois vis du bord supérieur (bord inférieur si l'appareil est inversé) de la façade avant de l'appareil.
4. Alignez les trous des vis du support de montage avec les trous situés sur le bord supérieur (en position verticale ou inversée) de l'appareil. Fixez un support de montage sur la façade avant de l'appareil à l'aide des vis conservées. Fixez l'autre support de montage à l'aide des vis fournies dans l'emballage du tuyau de transition du conduit de cheminée.
5. Fixez le support de montage à une solive du plafond ou à l'entretoise afin que l'appareil soit soutenu. L'appareil peut également être suspendu à des tiges, comme illustré à la **figure 1**.

FIGURE 1



AIR DE COMBUSTION ET DE VENTILATION

Vous devez vous assurer de la présence d'installations adéquates pour l'alimentation en air de combustion et de ventilation conformément à la plus récente édition de l'article 5.3, Air for Combustion and Ventilation, du National Fuel Gas Code, norme ANSI Z223.1, aux

États-Unis, à la norme CSA B149.1 du Code d'installation du gaz naturel et du propane au Canada ou dispositions pertinentes des codes locaux du bâtiment.

Tous les appareils à gaz ont besoin d'un approvisionnement d'air pour assurer la combustion. À l'heure actuelle, il existe dans de nombreux bâtiments une pression d'air négative causée par les ventilateurs d'extraction, etc. Si l'appareil de chauffage ou tout autre appareil n'est pas adéquatement alimenté en air de combustion, cela entraînera une perte d'efficacité se traduisant par une combustion incomplète pouvant résulter en une production excessive de monoxyde de carbone.

ATTENTION Un apport insuffisant d'air de combustion peut causer des maux de tête, des nausées, des étourdissements, l'asphyxie ou entraîner la mort.

Si l'air intérieur est utilisé pour la combustion, il ne doit contenir aucune des substances suivantes, sous peine de réduire la durée de vie de l'échangeur de chaleur : chlore, tétrachlorure de carbone, solvant de dégraissage, fluides frigorigènes à halogène, acides, colles, encres d'impression, fluorures, décapants, vernis ou toute autre substance corrosive.

VENTILATION

A – EXIGENCES ET RECOMMANDATIONS GÉNÉRALES

REMARQUE : l'évent d'aération est un passage, vertical ou presque, utilisé pour évacuer à l'air libre les gaz de combustion produits par l'appareil ou son raccord. Le raccord d'évent est le tuyau ou conduit qui raccorde un appareil à combustion à un évent ou à une cheminée.

Les appareils de chauffage doivent être ventilés conformément aux codes ou exigences des services publics locaux, à la norme ANSI Z223.1 en vigueur du National Fuel Gas Code (États-Unis) ou à la norme CSA B149.1 en vigueur du Code d'installation du gaz naturel et du propane (Canada) et aux instructions ci-dessous.

L'appareil certifié est fourni avec un tuyau de transition en métal estampé ou extrudé. Ce dernier ne doit pas être modifié ni altéré et doit être fixé à la sortie de l'ensemble du ventilateur à tirage induit avant l'installation de l'évent ou du raccord d'évent. Le non-respect de cette exigence entraîne l'annulation de la certification des organismes d'approbation. Tous les raccords doivent être fixés solidement à l'aide d'au moins deux vis résistantes à la corrosion. Après l'installation, l'étanchéité aux gaz de tous les raccords doit être vérifiée.

TABLEAU 2
LONGUEURS MAX. DES ÉVENTS
VENTILATION HORIZONTALE

Nbr de Coudes	pi	m
1	25	7,6
2	20	6,1
3	15	4,6
4	10	3
5	5	1,5
La longueur maximale du raccord d'évent ne doit pas dépasser 9,1 m (30 pi).		

B – VENTILATION VERTICALE AU MOYEN D'UN TUYAU DE VENTILATION EN MÉTAL – INSTALLATIONS COMMERCIALES ET RÉSIDENIELLES

Les appareils de chauffage compacts, modèles MHU, sont indiqués comme appareils de Catégorie 1 pour les installations à ventilation verticale.

1. Les appareils de chauffage MHU doivent être utilisés avec des cheminées certifiées NFPA OU ANSI, des événements de type B-1 homologués UL, un tuyau en métal à paroi simple ou un système de chemisage de cheminée homologué pour l'évacuation des gaz brûlés s'il y a lieu, et respecter les modifications et restrictions indiquées à la **figure 2**. Vérifiez l'étanchéité du matériau de l'événement à paroi simple conformément à la section **A – Exigences et recommandations générales**.
2. Le conduit de raccordement doit être de 3 pouces (76 mm) de diamètre sur les appareils 50. Dans tous les cas, une pièce de conduit de transition (fournie) devra être ajustée sur la sortie de l'ensemble de tirage sur l'appareil.
3. Faites en sorte que la course du raccord d'événement soit aussi courte que possible et comporte un nombre minimal de coudes. Consultez la norme ANSI Z223.1 du National Fuel Gas Code (États-Unis) ou la norme CSA B149.1 du Code d'installation du gaz naturel et du propane (Canada) pour connaître les longueurs maximales de l'événement et du raccord d'événement. La course horizontale du raccord d'événement entre le ventilateur d'air induit et la cheminée/l'événement ne peut dépasser les valeurs indiquées au **tableau 2**.
4. Lorsque la longueur d'un événement à paroi simple, coudes inclus, dépasse 1,5 m (5 pi), celui-ci doit être isolé dans toute sa longueur à l'aide d'un isolant en fibre de verre à base d'aluminium d'au moins 1,3 cm (1/2 po) d'épaisseur à densité de 1 1/2 po. Si un événement à paroi simple est utilisé dans une aire non chauffée, il doit être isolé. Si vous ne prenez pas cette précaution il se produira une condensation des gaz de combustion évacués.
5. L'appareil peut être ventilé verticalement comme appareil unique ou il peut partager une ventilation avec d'autres appareils alimentés au gaz. Dans le cas d'une ventilation commune, il faut garder une séparation verticale de 100 mm (4 po) avec les raccords d'événement des autres appareils. Consultez les tableaux relatifs à la ventilation commune fournis dans le National Fuel Gas Code, norme ANSI Z223.1 (États-Unis) ou le Code d'installation du gaz naturel et du propane, norme CSA B149.1 (Canada) pour obtenir les dimensions pertinentes de l'événement.
6. La distance de sécurité à respecter avec les matières combustibles est de 152 mm (6 po) pour un événement à paroi simple, excepté si vous utilisez un manchon à distance d'écartement certifié. La distance de sécurité à respecter avec les matières combustibles pour un événement de type B-1 ou une cheminée manufacturée varie en fonction des instructions du fabricant.
7. Le raccord d'événement doit être maintenu fermement sans aucun fléchissement ou creux. Les événements verticaux doivent être maintenus conformément à leur homologation et aux instructions du fabricant. Toute course de raccord d'événement horizontal doit avoir une pente ascendante d'au moins 1 mm par 50 mm (1/4 po par pi) jusqu'à l'événement vertical.
8. Tous les événements verticaux de type B-1, événements à paroi simple, ou système de chemisage de cheminée homologués doivent comporter à leur extrémité un capuchon ou un toit homologué.
9. L'événement doit s'élever à au moins 1 m (3 pi) de haut au-dessus du point le plus haut qu'il traverse dans un toit de bâtiment, et dépasser d'au moins 0,6 m (2 pi) en hauteur toute partie du bâtiment sur une distance horizontale de 3,05 m (10 pi), sauf indication contraire du National Fuel Gas Code, ANSI Z223.1 (États-Unis) ou du code d'installation CAN/CGA-B149 (Canada). L'événement doit s'élever à au moins 1,6 m (5 pi) au-dessus du collet le plus élevé du conduit de cheminée.

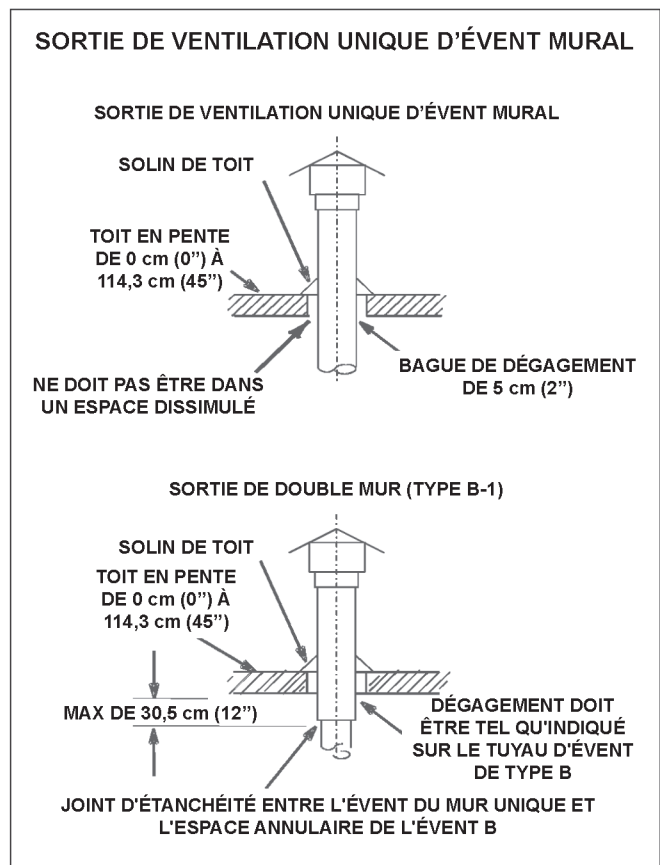


FIGURE 2

C – VENTILATION HORIZONTALE - GÉNÉRALE

En raison des modifications apportées à Z83-8 2009 CSA2.6-2009, l'utilisation d'un événement B de paroi unique n'est plus autorisée en tant que matériau acceptable lors de la ventilation horizontale, ce changement porte sur les installations résidentielles et commerciales. Tous les appareils à ventilation horizontale fabriqués après juillet 2011 doivent être ventilés comme une unité / appareil de chauffage de catégorie III en conformité avec les normes UL 1738 & ULS636. La ventilation commune n'est pas permise lors de la ventilation horizontale de l'appareil de chauffage.

La longueur horizontale minimale du conduit de ventilation est de trois pieds (914 mm).

1. Si possible, ne pas faire aboutir l'évacuation horizontale à travers un mur qui est exposé aux vents dominants. L'exposition à des vents excessifs peut affecter les performances de l'appareil.
2. L'événement de sortie doit être libre de toute obstruction et au moins 12 pouces (306 mm) au-dessus du niveau du sol et de la hauteur maximale de la neige.
3. Ne pas faire aboutir l'événement directement en dessous d'un avant-toit ou au-dessus d'une passerelle, ou de toute autre zone où les gouttes de condensation peuvent être gênantes et peuvent causer des taches. Éviter les fenêtres où la vapeur peut causer une accumulation de buée ou de glace.
4. Lors de l'évacuation horizontale, la distance minimale de la sortie par rapport aux portes, fenêtres, entrées d'air par gravité, compteurs de gaz ou électriques, régulateurs et équipements de secours est de 4 pieds (1,2 m) pour les bâtiments aux États-Unis. Reportez-vous à la norme NFPA 54/ANSI Z223.1 aux États-Unis et au code d'installation pour le gaz naturel et le propane CSA B149.1 et .2 au Canada ou aux autorités ayant juridiction locale. Au Canada, une sortie de ventilation doit avoir un minimum de 1,8 m (6 pieds) de

dégagement horizontal par rapport aux compteurs de gaz et d'électricité et aux dispositifs de secours tel que spécifié dans le Code d'installation pour le gaz naturel du Canada B149.1.

5. L'évent de sortie doit être à un minimum de 1,2 mètre (4 pieds) en dessous ou 1,2 mètre (4 pieds) horizontalement de tout évent de soffite ou de sous-avant-toit.
6. L'évent doit être à un minimum de 6 pieds à partir du coin intérieur formé par deux murs extérieurs. Si possible, laisser un dégagement de 10 pieds.
7. L'évent de sortie doit être à un minimum de 3 mètres (10 pieds) de toute entrée d'air forcée (y compris les entrées d'air frais pour les autres appareils, comme un sècheur).
8. Lorsque la sortie est acheminée à travers un mur inflammable extérieur, il doit être soutenu en utilisant une bague de dégagement. Sceller la connexion entre la paroi unique et les tuyaux du double mur et l'espace annulaire du tuyau à double mur, conformément à l'illustration 2. Le bord intérieur de la pièce de sortie de ventilation en T doit être au moins à 12 pouces du mur extérieur, comme indiqué à la **figure 3**.
9. Pour une évacuation horizontale, le tuyau de ventilation doit être soutenu avec des cintres à pas plus de 1 mètre (3 pieds) de distance, pour empêcher le mouvement après l'installation.

D – VENTILATION HORIZONTALE - COMMERCIALE

1. Les installations commerciales horizontales sont des bâtiments qui ne sont pas attachés à des espaces de résidence. L'évent peut être un matériau d'évent de mur simple installé conformément aux sections

Ventilation A - Recommandations et exigences générales et C - Ventilation horizontale générale et D - Ventilation horizontale - Commerciale. Reportez-vous à la **figure 3**.

2. Le diamètre du tuyau d'évacuation pour les installations horizontales commerciales doit être de 76 mm (4 pieds) sur les appareils 50. Dans tous les cas, une pièce de conduit de transition (fournie) devra être ajustée sur la sortie de

l'ensemble de tirage sur l'appareil.

3. Reportez-vous à la **tableau 2** pour les longueurs maximales des conduits de raccordement.
4. L'évent doit maintenir une pente ascendante de ¼ de pouce par pied jusqu'à la sortie.
5. Pour un évent incliné vers le haut, une pièce de condensation et de vidange en T doit être installée à l'intérieur du premier 1,5 mètre (5 pieds) de l'appareil de chauffage pour protéger l'appareil. Si une ligne de drain de condensation flexible est utilisée, la ligne de drain doit comprendre une boucle entrant dans la structure. Si l'appareil est arrêté pendant une période de temps prolongé et exposé à des températures inférieures à zéro, le condensat peut geler.

E – VENTILATION HORIZONTALE – RÉSIDENIELLE

1. Pour les installations résidentielles horizontales, ces appareils sont certifiés comme appareils de catégorie III. **Ventilation A - Recommandations et exigences générales et C - Ventilation horizontale générale et E - Ventilation horizontale - Résidentielle.** Reportez-vous à la **figure 6**.
2. Le diamètre du tuyau de ventilation pour les installations résidentielles horizontales doit être de 100 mm (4 pouces) sur les appareils 50 et 80. Une transition de ventilation standard est nécessaire à l'appareil, en plus de la transition fournie avec l'appareil.
3. La longueur maximale de l'évent est de 1,5 mètre (5 pieds) en plus d'un coude à 90 degrés. La longueur minimale est de 0,91 mètre (3 pieds).
4. L'évent doit maintenir une pente ascendante de ¼ de pouce par pied jusqu'à la sortie.

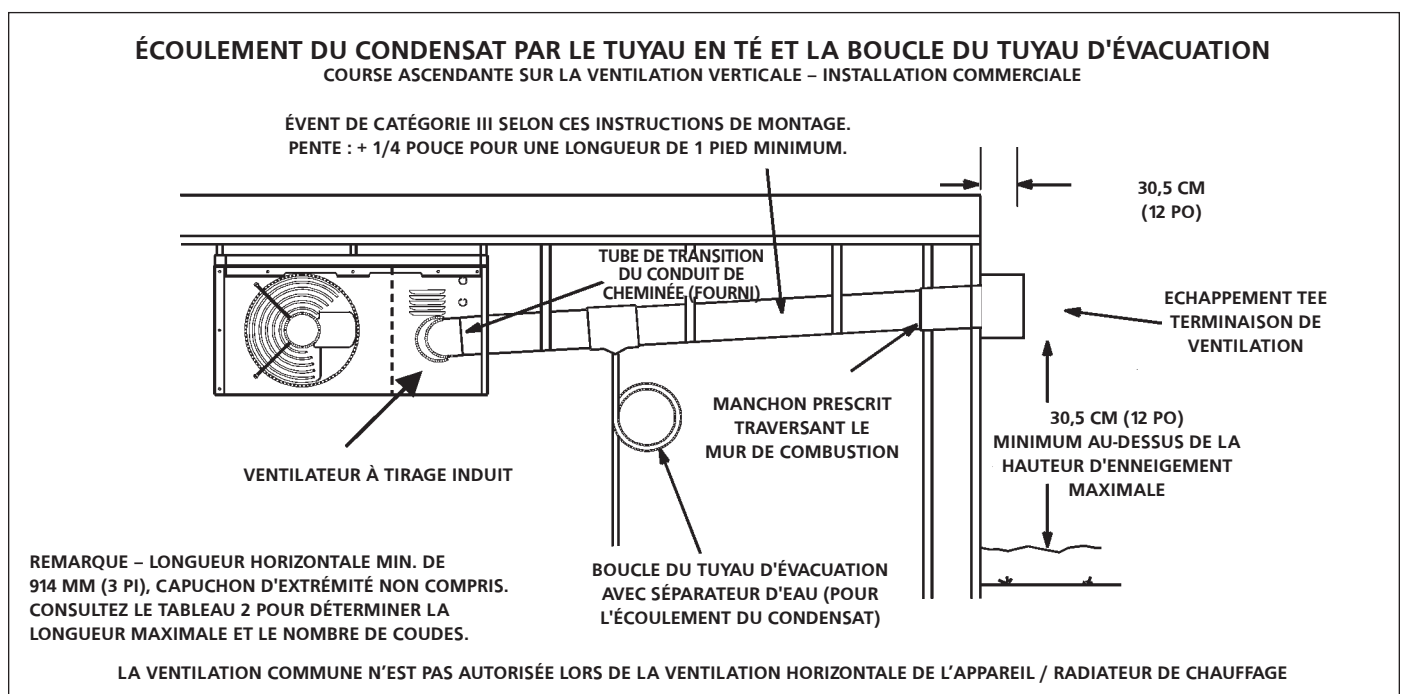


FIGURE 3

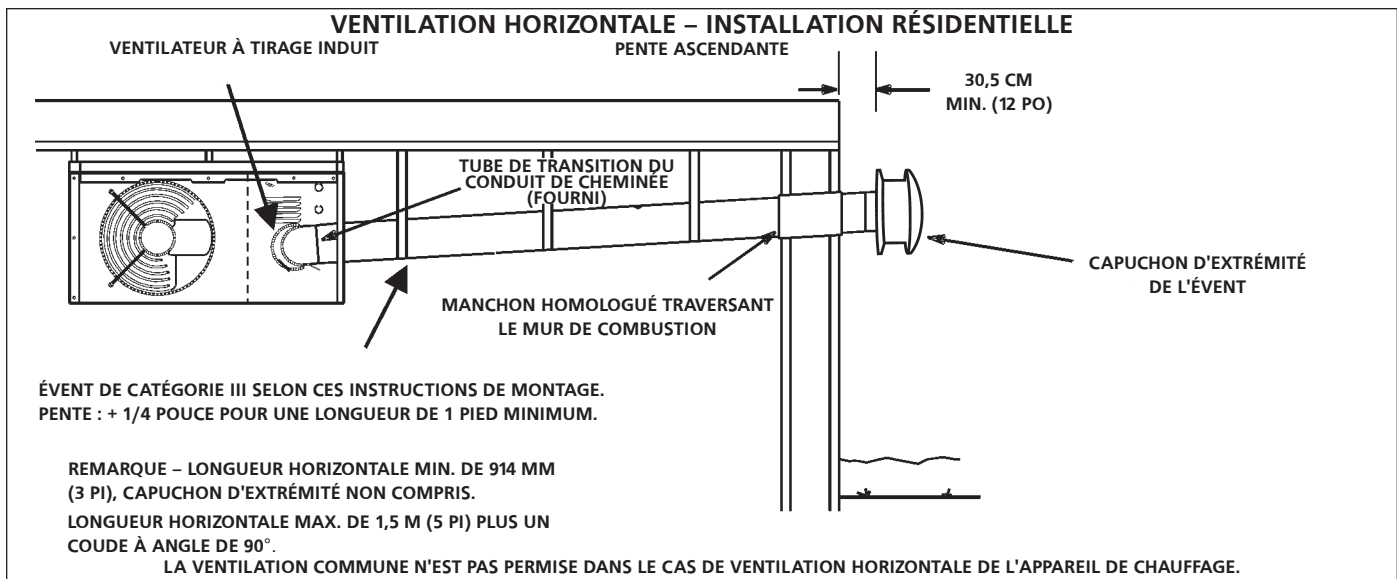


FIGURE 6

F – VENTILATION UTILISANT UNE CHEMINÉE EN MAÇONNERIE

Les exigences additionnelles suivantes s'appliquent lorsqu'une cheminée en maçonnerie chemisée est utilisée pour la ventilation de l'appareil de chauffage compact.

1. Les cheminées en maçonnerie utilisées pour la ventilation des appareils de chauffage de Catégorie 1 doivent être doublées en céramique ou garnies avec un système de chemisage métallique, ou des conduits d'évacuation des gaz brûlés spécialement conçus. Les cheminées en maçonnerie non chemisées sont interdites. Ne raccordez jamais un appareil de Catégorie 1 à une cheminée desservant un appareil à combustible solide. Si vous utilisez un conduit de cheminée de foyer pour ventiler l'appareil de chauffage, l'ouverture du foyer doit avoir été définitivement scellée.
2. Un appareil de chauffage à ventilateur peut être ventilé par le biais d'une cheminée en maçonnerie chemisée tant que :
 - la cheminée desserve au moins un appareil doté d'une hotte de tirage;
 - les dimensions du raccord d'évent et de la cheminée sont conformes aux tableaux de ventilation du National Fuel Gas Code, ANSI Z223.1 (États-Unis) ou du Code d'installation du gaz naturel et du propane, CSA B149.1 (Canada).

IMPORTANT L'utilisation d'une ventilation unique pour un appareil de chauffage à ventilateur dans une cheminée en maçonnerie à garniture en céramique (mur intérieur ou extérieur) est interdite. La cheminée doit d'abord être doublée soit d'un évent de type B-1, soit d'un système de tube intérieur flexible à paroi simple, de dimension conforme aux tableaux de ventilation du National Fuel Gas Code, ANSI Z223.1 (États-Unis) ou du Code d'installation du gaz naturel et du propane, CSA B149.1 (Canada).

3. Un évent de type B-1 ou un tube intérieur de cheminée en maçonnerie doit sortir au-dessus de la surface du toit, avec à l'extrémité un capuchon homologué ou une toiture homologuée conformes aux directives de leurs homologations respectives et des instructions du fabricant de l'évent.
4. N'installez pas de registre de tirage à commande manuelle, de régulateur barométrique de tirage ni de restricteur de conduit de cheminée entre l'appareil de chauffage et la cheminée.
5. Si vous utilisez un évent à paroi double de type B-1 à l'intérieur de la cheminée, celle-ci ne peut servir de conduit de ventilation pour aucun autre appareil. Le tuyau d'évent de type B-1 pour mur extérieur ne doit pas être exposé aux produits du conduit de cheminée.

6. L'isolation du tuyau d'évent flexible doit être un manchon de fibre de verre encapsulée recommandé par le fabricant du tuyau.
7. L'espace entre la chemise et la paroi de la cheminée ne doit PAS être isolé au moyen d'une couche de mica en poudre ni de tout autre matériau isolant granulaire.
8. Si vous ne pouvez pas utiliser d'évent de type B-1 ou de tuyau d'évent flexible isolé comme chemise, la cheminée doit être reconstruite pour permettre l'une de ces méthodes, ou vous devez opter pour une autre méthode approuvée pour assurer la ventilation de l'appareil. Si une inspection révèle qu'une cheminée n'est pas sécuritaire pour cet usage, elle doit être reconstruite pour être conforme aux normes nationales, chemisée ou rechemisée au moyen de matériaux appropriés, ou encore remplacée par un conduit d'évacuation des gaz brûlés ou une cheminée appropriée aux appareils de chauffage à ventilation. Le conduit de cheminée doit être vérifié régulièrement pour s'assurer qu'il est bien dégagé.

G – RETRAIT D'UN APPAREIL DE LA VENTILATION COMMUNE

Si un appareil de chauffage doit être retiré d'un système de ventilation commune raccordé à plusieurs appareils utilisant du gaz, le système se révélera probablement trop large pour assurer une bonne ventilation des appareils restants. Le test qui suit doit être effectué indépendamment pour chaque appareil pendant que les autres appareils ne sont pas en fonction mais toujours connectés au système de ventilation commune. L'appareil testé doit être lui en fonction. Si le système de ventilation a été mal installé, il faudra corriger la situation.

1. Bouchez toutes les ouvertures non utilisées du système de ventilation commune.
2. Faites une inspection visuelle du système de ventilation pour déterminer la dimension et l'écartement horizontal pertinents. Vérifiez qu'il n'existe aucun blocage, fuite, corrosion ou autre défektivité pouvant constituer un danger.
3. Si possible, fermez toutes les portes et fenêtres du bâtiment et toutes les portes entre le lieu où sont installés les appareils raccordés au système de ventilation commune et les autres aires du bâtiment. Mettez en marche les sècheuses et tous les appareils non raccordés au système de ventilation commune. Mettez en marche tous les ventilateurs d'extraction, tels que les hottes de cuisine et les évacuateurs d'air de salle de bain, afin qu'ils fonctionnent à plein régime. Ne faites pas fonctionner de ventilateur d'été. Fermez les registres de foyer.

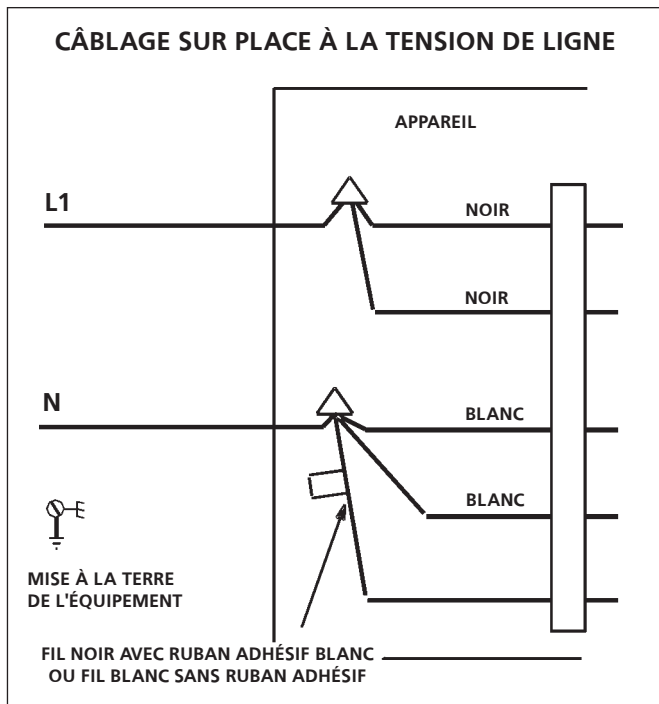


FIGURE 7

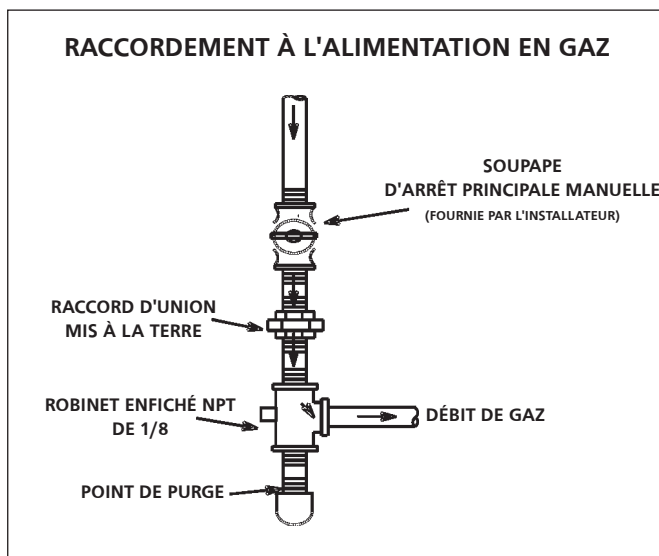


FIGURE 8

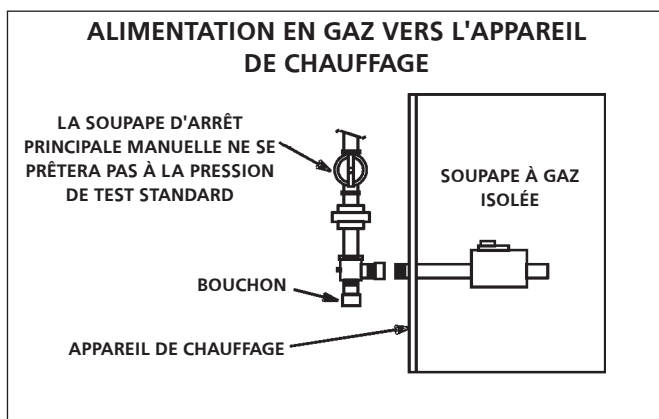


FIGURE 9

4. Suivez les instructions relatives à l'allumage. Faites fonctionner l'appareil que vous inspectez. Réglez le thermostat de manière à ce que l'appareil fonctionne en continu.
5. Après 5 minutes de fonctionnement du brûleur principal, vérifiez s'il se produit une fuite au niveau de l'ouverture d'échappement du coupe-tirage. Utilisez la flamme d'une allumette ou d'une bougie ou la fumée d'une cigarette, d'un cigare ou d'une pipe.
6. Une fois que vous avez vérifié que chacun des appareils raccordés au système de ventilation commune dispose d'une ventilation adéquate, remettez dans leur condition d'utilisation précédente les portes, fenêtres, ventilateurs d'extraction, registres de foyer et tous les autres appareils à gaz.
7. Si vous constatez une mauvaise ventilation pendant la série de tests, vous devez corriger le problème au niveau du système de ventilation commune. Celui-ci doit être réduit pour approcher la taille minimale définie au moyen des tableaux pertinents de l'Annexe G de la norme ANSI Z223-1 en vigueur du National Fuel Gas Code, aux États-Unis, et des tableaux relatifs aux dimensions du système de ventilation des appareils de catégorie 1 fonctionnant au gaz naturel et au propane, disponibles dans la norme CSA B149.1 en vigueur du Code d'installation du gaz naturel et du propane, au Canada.

REMARQUE Les codes locaux peuvent avoir priorité sur certaines des dispositions ci-dessus.

CONNEXIONS ÉLECTRIQUES

REMARQUE : Les appareils de chauffage de la série MHU utilisent un système d'allumage direct par étincelle. Aucun pilote n'est nécessaire, car l'étincelle allume le brûleur principal lorsque la soupape de gaz est ouverte. Le système d'allumage direct par étincelle émet des bruits de radio lors de l'allumage du brûleur. Le niveau d'énergie peut être suffisant pour perturber un circuit logique dans un thermostat contrôlé par microprocesseur. Il est recommandé d'utiliser un relais d'isolement lors de la connexion de l'appareil de chauffage à un thermostat contrôlé par microprocesseur. Sélectionnez la protection du circuit et la taille du fil en fonction de la plaque signalétique de l'appareil. Installez un interrupteur de déconnexion séparé (protégé par un fusible ou un disjoncteur) près de l'appareil, de sorte que l'alimentation puisse être désactivée pour l'entretien. Retirez le couvercle de la boîte de jonction électrique et branchez les câbles à travers l'ouverture sur la boîte de jonction située du côté de l'élément chauffant. Reportez-vous au schéma de câblage de l'appareil de chauffage pour des informations sur les connexions. Utilisez un fil de calibre 18 ou plus pour les connexions avec les lignes électriques. Assurez-vous de connecter la ligne d'alimentation aux fils situés dans la boîte de jonction électrique extérieure, derrière le couvercle de la boîte de jonction. **NE PAS CONNECTER LA LIGNE D'ALIMENTATION AU BORNIER DU THERMOSTAT À L'EXTÉRIEUR DE L'APPAREIL DE CHAUFFAGE.**

Mettez une prise de terre électrique à l'appareil conformément aux codes locaux ou, en l'absence de codes locaux, en conformité avec le Code national de l'électricité en vigueur (ANSI/NFPA No. 70) aux États-Unis, ou avec le Code canadien de l'électricité en vigueur au Canada, Partie 1 CSA C22.1.

REMARQUE : Un fil de terre qui n'est pas isolé doit être enrobé d'un ruban isolant pour éviter d'endommager le système électrique.

Branchez le câblage de terrain comme indiqué à la **figure 7**. Connectez le câblage comme indiqué sur le schéma de câblage sur l'appareil. En outre, se référer au schéma typique dans ce manuel.

Un fil de thermostat supplémentaire doit être connecté à la borne g sur l'appareil de chauffage lorsqu'une ventilation constante est souhaitée. Thermostat (en option). Voir le schéma de câblage à la page F-13.

⚠ AVERTISSEMENT	
	Risque d'électrocution. Peut causer des blessures ou la mort. N'utilisez pas cet appareil si l'une de ses parties a été immergée dans l'eau. Appelez immédiatement un technicien de service d'entretien qualifié pour qu'il inspecte l'appareil de chauffage et remplace tout élément du système de commandes et du contrôle du gaz ayant été immergé.

⚠ AVERTISSEMENT	
	Danger d'explosion. Peut causer des blessures ou des dommages matériels. Si l'appareil surchauffe ou que l'alimentation en gaz ne se ferme pas, fermez la soupape manuelle d'alimentation en gaz avant de couper l'alimentation électrique.

⚠ AVERTISSEMENT	
	Risque d'électrocution. Peut causer des blessures ou la mort. Avant d'essayer d'effectuer des travaux de réparation ou d'entretien, coupez l'alimentation électrique de l'appareil en fermant les interrupteurs. L'appareil peut posséder plusieurs alimentations électriques.

⚠ AVERTISSEMENT	
	Danger d'explosion et d'incendie. Peut causer des blessures ou des dommages matériels. Vous devez suivre très précisément les instructions données.

RACCORDEMENT AU GAZ

Lorsque vous raccordez l'alimentation en gaz, vous devez tenir compte de la longueur jusqu'au compteur pour déterminer la dimension du tuyau afin d'éviter une trop forte baisse de pression. Conservez une pression de 178 mm (colonnes d'eau de 7 po) d'eau pour le gaz naturel lors du calibrage du tuyau. Conservez une pression de 330 mm (colonnes d'eau de 13 po) d'eau pour le gaz de pétrole liquéfié. Pour connaître la taille adéquate des tuyaux, consultez le National Fuel Gas Code, ANSI Z223.1 (États-Unis) ou le Code d'installation du gaz naturel et du propane, CSA B149.1 (Canada), ou communiquez avec le service public de réglementation.

⚠ ATTENTION : AFIN DE PRÉVENIR LES DOMMAGES DE CHAUFFAGE. LORS DE L'UTILISATION D'UN RÉSERVOIR DE PROPANE POUR ALIMENTER L'APPAREIL DE CHAUFFAGE, UN RÉGULATEUR DE BASSE PRESSION D'UN MINIMUM DE 28 cm (11 Po) H2O ET D'UN MAXIMUM DE 35,5 cm (14 Po) H2O EST REQUIS. CE RÉGULATEUR DOIT ÊTRE INSTALLÉ ENTRE LE RÉSERVOIR ET L'APPAREIL DE CHAUFFAGE. Le régulateur n'est pas inclus avec l'appareil de chauffage.

Un point de purge devra être installé dans la course du tuyau vertical raccordé à l'appareil. Certains codes municipaux exigent qu'un robinet d'arrêt principal manuel et un raccord d'union (fournis par l'installateur) soient installés à l'extérieur de l'appareil. Le raccord d'union doit être de type rodage conique. Un point de purge devra être facilement accessible pour permettre le nettoyage et le vidage. Voir la **figure 8**.

REMARQUE Si une boîte d'interrupteur est installée par-dessus les pastilles défonçables à l'arrière de l'appareil, laissez un espace minimum de 102 mm (4 po) entre cette boîte et le point de purge.

Il faut installer immédiatement un robinet enfiché NPT A de 1/8 po en amont du raccordement de l'appareil à l'alimentation en gaz.

REMARQUE Les composés utilisés sur les joints filetés de la conduite de gaz doivent être résistants aux effets des gaz de pétrole liquéfiés.

VÉRIFICATION DE FUITES DE GAZ

Une fois l'installation à la conduite de gaz terminée, vérifiez soigneusement tous les raccordements à la conduite de gaz (sur place et montés en usine) en vue de détecter toute fuite de gaz. Utilisez une solution savonneuse ou une autre méthode de votre choix.

En raison des cycles naturels de chauffage et de la vibration de cette unité il est recommandé, comme faisant partie de sa maintenance annuelle, vérifier ces connexions pour l'étroitesse nécessaire et le chèque de fuite avec une solution de savon ou d'autres moyens favorisés avant de mettre dans le service.

ATTENTION N'UTILISEZ pas d'allumettes, de bougies, de flamme ou d'autres sources d'allumage pour vérifier l'absence de toute fuite de gaz.

IMPORTANT L'appareil de chauffage et sa soupape d'arrêt doivent être déconnectés du système d'alimentation en gaz pendant les tests de pression de ce système à des pressions supérieures à 3,45 kPa (1/2 psig).

L'appareil doit être isolé du système d'alimentation en gaz en fermant sa soupape d'arrêt manuelle individuelle pendant les essais de pression de ce système à des pressions supérieures à 3,45 kPa (1/2 psig). Voir la **figure 9**.

REMARQUE En cas d'arrêt d'urgence, fermez la vanne de gaz principale et coupez l'alimentation électrique principale de l'appareil. L'installateur devra apposer une étiquette pertinente sur chacun de ces dispositifs.

DÉMARRAGE ET FONCTIONNEMENT

DÉMARRAGE DE L'APPAREIL

POUR VOTRE SÉCURITÉ, LISEZ AVANT DE PROCÉDER À L'ALLUMAGE

AVANT L'ALLUMAGE, vérifiez si vous sentez une odeur de gaz tout autour de l'appareil. Sentez aussi au niveau du sol car certains gaz sont plus lourds que l'air et peuvent demeurer près du sol.

Poussez ou faites tourner le bouton de commande manuelle du gaz à la main. N'utilisez jamais d'outils. N'utilisez pas une force excessive pour déplacer la soupape de la position off (fermé) à on (activé). Tenter de réparer ou d'user de la force pourrait provoquer un incendie ou une explosion.

Les appareils de chauffage MHU 50/80 sont équipés d'un système d'allumage automatique par étincelle. Il n'y a aucun pilote. Dans le cas d'un arrêt de sécurité, placez le commutateur du thermostat à OFF, puis retournez le thermostat à la position HEAT.

S'il y a surchauffe ou que l'alimentation en gaz ne se ferme pas, fermez la soupape manuelle d'alimentation en gaz avant de couper l'alimentation électrique.

FONCTIONNEMENT DE LA SOUPAPE À GAZ POUR LA SOUPAPE DE LA SÉRIE VR8205M DE HONEYWELL (FIGURE 10)

- ARRÊTEZ !** Lisez d'abord les directives de sécurité ci-dessus.
- Réglez le thermostat à la température la plus basse.
- Coupez l'alimentation électrique de l'appareil.
- Cet appareil est équipé d'un dispositif d'allumage qui allume automatiquement le brûleur. **N'ESSAYEZ PAS** d'allumer les brûleurs manuellement.
- Il y a un bouton interrupteur rotatif noir qui peut être bougé entre la position on (activé) et off (fermé). Tournez le bouton interrupteur à la position off (fermé) (voir Figure 10).
- Attendez cinq minutes afin que tout le gaz se dissipe. Si vous détectez encore une odeur de gaz, **ARRÊTEZ !** Appelez immédiatement votre compagnie de gaz à partir du téléphone d'un voisin. Suivez les instructions de la compagnie de gaz. Si vous ne détectez aucune odeur de gaz, passez à l'étape suivante.
- Tournez le bouton interrupteur noir à la position ON (activé).
- Rétablissez le courant électrique de l'appareil.
- Réglez le thermostat à la température désirée.
- Le ventilateur de l'air de combustion se mettra en marche. Les brûleurs s'allumeront dans les 40 secondes.

- Si l'appareil ne fonctionne pas la première fois (la conduite de gaz n'est pas complètement purgée), il tentera encore par deux fois d'activer l'allumage avant de se verrouiller.
- Dans ce cas, recommencez les étapes de 1 à 9.
- Si l'appareil ne fonctionne toujours pas, suivez les instructions « POUR FERMER L'ALIMENTATION EN GAZ DE L'APPAREIL » et communiquez avec votre technicien de service d'entretien ou votre compagnie de gaz.

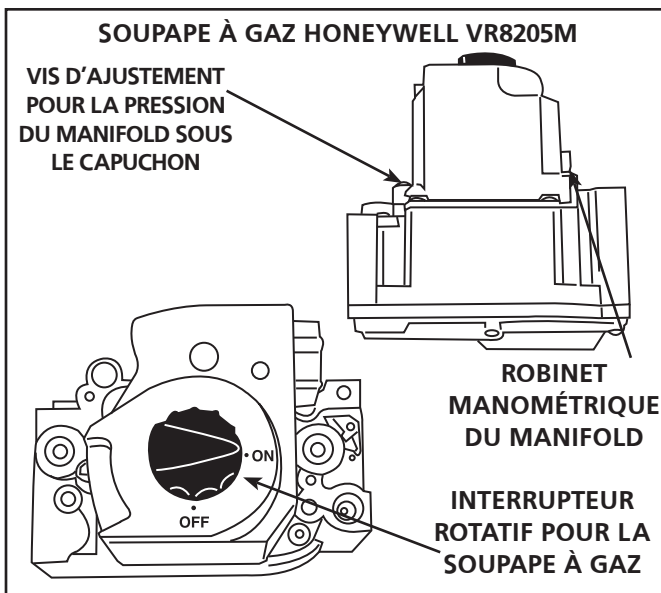


FIGURE 10

POUR FERMER L'ALIMENTATION EN GAZ DE L'APPAREIL

- Réglez le thermostat à la température la plus basse.
- S'il faut procéder à des opérations d'entretien, coupez l'alimentation électrique de l'appareil.
- Tourner le bouton noir à la position « OFF » (arrêt).

SÉQUENCE DE FONCTIONNEMENT DU CHAUFFAGE

- Lorsque le thermostat fait un appel de chaleur, le ventilateur de l'air de combustion démarre aussitôt.
- Le pressostat d'air de combustion vérifie le fonctionnement du ventilateur avant de permettre l'activation de la commande d'allumage. Ce pressostat étant réglé en usine, aucun réglage sur place n'est nécessaire.
- Après une purge préalable de 30 secondes environ, l'allumage par étincelle se déclenche et les électrobinets s'ouvrent dans la soupape à gaz.
- L'étincelle provoque alors l'allumage du gaz, la sonde d'allumage vérifie la flamme et le processus de combustion se poursuit.
- Advenant que la flamme ne soit pas détectée après les dix premières secondes de test, la commande d'allumage répétera encore à deux reprises les étapes 3 et 4 avant de verrouiller la soupape à gaz. Ensuite, après un délai d'une heure, la commande d'allumage répétera automatiquement les étapes 3, 4 et 5. Pour interrompre la période d'arrêt d'une heure, faites passer le thermostat des positions « HEAT » (chauffage) à « OFF » (arrêt) puis revenez à HEAT. La séquence du processus de chauffage recommencera à l'étape 1.
- Les brûleurs devraient s'allumer sans délai croisé perceptible. Il ne devrait pas y avoir de flamme sortant des têtes des brûleurs, de retour de flamme ou brûlant dans le brûleur. Les flammes doivent être essentiellement de couleur bleue et apparaître vers le centre des mélangeurs sans collision apparente.

- La commande d'allumage mettra en marche le ventilateur dans les 45 secondes après l'allumage.
- Une fois que le système a répondu à l'appel de chaleur du thermostat, la soupape à gaz se ferme ; dans les 5 secondes suivant la satisfaction de la demande de chauffage, le ventilateur de l'air de combustion est mis hors tension.
- Le mécanisme de commande du système devrait arrêter le ventilateur environ 150 secondes après la mise hors tension de la soupape à gaz.

DEL DE COMMANDE D'ALLUMAGE

Le panneau de commande d'allumage est doté d'une DEL verte qui fournit les indications suivantes :

DEL	FONCTIONNEMENT DE L'APPAREIL
Clignotement lent*	Fonctionnement normal – Pas d'appel de chaleur
Clignotement rapide	Fonctionnement normal – Appel de chaleur Signal actuel à la borne FLAME <0,6 à 1 microampère
2 clignotements	Verrouillage du système – échec de détection ou de conservation de la flamme Signal actuel à la borne FLAME <0,6 microampère
3 clignotements	Échec de la fermeture du manocontact avant que le CAB soit mis sous tension ou échec à l'ouverture après que le CAB soit mis sous tension
4 clignotements	Dispositif de commande à max. ou limiteur de retour de flamme ouvert
5 clignotements	Flamme détectée et soupape à gaz hors tension
Non allumé en permanence	Perte de courant
Allumé en permanence	Échec de la commande d'allumage

* Lorsque le thermostat est mis en position ventilation continue, le voyant clignotera lentement.

TABLEAU 3
DEL DE COMMANDE D'ALLUMAGE

RÉGLAGES

EN HAUTE ALTITUDE

Ces appareils peuvent fonctionner à plein rendement à une altitude maximale de 610 m (2 000 pi) au-dessus du niveau de la mer. À une altitude supérieure, certains appareils exigent un réglage de la pression d'admission. Réglez le régulateur de pression à la valeur indiquée au **tableau 4** pour le gaz naturel et au **tableau 5** pour le gaz propane liquéfié.

DÉBIT DE GAZ

Pour vérifier si le débit de gaz vers la chambre de combustion est pertinent déterminez la puissance en BTU en vous basant sur la plaque signalétique de l'appareil. Divisez cette valeur par la puissance BTU en pieds cubes de gaz disponible. Le résultat est le nombre requis de pieds cubes par heure. Déterminez le débit de gaz au compteur pour deux minutes et multipliez le résultat par 30 pour obtenir le débit à l'heure.

PRESSIION DU GAZ

- Vérifiez la pression dans la canalisation de gaz quand l'appareil fonctionne à plein régime. Un minimum de 12,7 cm (5 po) d'eau pour le gaz naturel ou 26,50 cm (10,9 po) d'eau pour le gaz propane liquéfié doit être respecté pour un fonctionnement adéquat de l'appareil.

2. Une fois que vous avez vérifié et réglé la pression de canalisation vérifiez la pression d'admission. La pression d'admission exacte est indiquée sur la plaque signalétique de l'appareil. Voir **figure 10** pour l'emplacement de la vis de réglage de la pression du gaz. Un ensemble de conversion du gaz naturel au gaz propane liquéfié est nécessaire pour la conversion de l'appareil. Pour connaître la procédure de conversion, consultez les instructions d'installation fournies avec l'ensemble de conversion.

TABLEAU 4

**PRESSIONS D'ADMISSION DU GAZ NATUREL – PO
(indicateur du niveau d'eau) (kPa)**

MHU50/80	ALTITUDE EN PI (M)	
	0-2000 (0-610)	2000-4500 (610-1370)
50/80	4 (0,99)*	3,6 (0,89)
* Aucun réglage requis.		

TABLEAU 5

**PRESSIONS D'ADMISSION DU GAZ LIQUÉFIÉ/
PROPANE – IN.WG. (kPa)**

MHU50/80	ALTITUDE EN PI (M)	
	0-2000 (0-610)	2000-4500 (610-1370)
50/80	10.5 (2,62)*	8.5 (2,12)
* Aucun réglage requis.		

COMMUTATEUR DE LIMITE

Le commutateur de limite est réglé en usine et non réglable sur place.

RÉGLAGES DES VOILETS DE LA GRILLE D'AÉRATION

Faites pivoter les volets de la grille d'aération pour diriger le débit d'air vers le haut, le bas, tout droit ou une combinaison de ces directions. Lorsque l'appareil est installé en position inversée, les grilles d'aération peuvent être positionnées de la même façon.

PRESSOSTAT D'AIR DE COMBUSTION

Ce dispositif vérifie le bon fonctionnement du ventilateur d'air de combustion avant de permettre un test d'allumage. Le pressostat est réglé en usine; aucun réglage n'est donc nécessaire sur place.

LIMITEUR DE RETOUR DE FLAMME

Les limiteurs de retour de flamme sont situés sur le dessus de la boîte des brûleurs, derrière le panneau de commande de l'allumage. Ce commutateur normalement fermé s'ouvre lorsque la température s'élève. Vérifiez si la quantité d'air de combustion est suffisante avant de réinitialiser manuellement le dispositif.

ENTRETIEN ET RÉPARATION

ATTENTION Coupez l'alimentation en gaz et en électricité de l'appareil avant d'effectuer des travaux d'entretien ou de réparation. N'oubliez pas de respecter exactement les instructions lorsque vous remettez en marche l'appareil après des travaux d'entretien ou de réparation.

Si du câblage d'origine fourni avec l'appareil de chauffage doit être remplacé, il faut utiliser du câblage prévu pour une température nominale d'au moins 105 °C.

N'utilisez pas cet appareil si l'une de ses parties a été immergée. Appelez immédiatement un technicien qualifié pour qu'il inspecte l'appareil de chauffage et remplace les parties du système de contrôle du gaz qui ont été mouillées.

BRÛLEURS

- Examinez régulièrement l'aspect des flammes pendant la saison d'utilisation du chauffage.
- Avant chaque saison, vérifiez si les brûleurs présentent des dépôts ou sont bouchés.
- Nettoyez les brûleurs de la façon suivante :
 - Coupez l'alimentation en gaz et en électricité de l'appareil.
 - Déconnectez la conduite de gaz, les câbles haute tension et les fils conducteurs de la sonde. Retirez la rampe à gaz. Retirez le plateau des brûleurs.
 - Nettoyez les brûleurs au besoin. Assurez-vous que les têtes des brûleurs sont alignées correctement pour permettre le croisement de la flamme. Vérifiez l'écartement de l'étincelle sur l'électrode et réglez-le au besoin. L'écart doit être de 2,79 mm à 3,56 mm (0,110 po à 0,140 po). L'écart doit être vérifié à l'aide de forets hélicoïdaux ou de lames calibrées de taille appropriée.
 - Réinstallez le plateau des brûleurs, la rampe à gaz, les câbles haute tension et les fils conducteurs de la sonde. Reconnectez la conduite d'alimentation de gaz.
 - Rétablissez le courant électrique et l'alimentation en gaz. Suivez les instructions d'allumage pour allumer l'appareil. Vérifiez la flamme du brûleur.
- Nettoyez le filtre du brûleur comme ci-dessous :
 - Coupez l'alimentation en gaz et en électricité de l'appareil.
 - Enlevez le filtre qui se trouve à l'entrée du boîtier du brûleur en la pressant et en le tirant vers l'extérieur.
 - Avec le filtre hors de l'unité de chauffage, nettoyez-le avec un détergent doux et de l'eau ou soufflez à l'aide d'un compresseur à air (ne soufflez pas vers vous).
 - Séchez bien le filtre avec de l'air en vous assurant que toutes les orifices d'air du filtre soient bien ouverts.
 - Réinstallez le filtre dans l'ouverture du boîtier pour le brûleur.
 - Rétablissez le courant électrique et l'alimentation en gaz.
 - Suivez les instructions d'allumage pour allumer l'appareil. Vérifiez la flamme du brûleur.

PASSAGE DU CONDUIT DE CHEMINÉE ET DE LA BOÎTE DU CONDUIT

Les passages et la boîte du conduit de cheminée doivent être inspectés et nettoyés avant chaque saison de chauffage. La séquence de fonctionnement doit être la suivante :

- Coupez l'alimentation en gaz et en électricité de l'appareil.
- Déconnectez le ventilateur de l'air de combustion
- Retirez les vis fixant la boîte du conduit de cheminée à l'appareil. Retirez cette boîte. Au besoin, retirez de la boîte du conduit l'assemblage du ventilateur. Nettoyez la boîte du conduit à l'aide d'une brosse métallique.
- Enlevez le support de fixation des turbulateurs et les turbulateurs. Nettoyez les turbulateurs à l'aide d'une brosse métallique.
- Retirez les brûleurs comme décrit à la section « BRÛLEURS ».
- Nettoyez les tubes à la brosse métallique.
- Assemblez à nouveau l'appareil. Les joints de l'air de combustion et de la boîte du conduit de cheminée doivent également être remplacés au moment de l'assemblage.
- Rétablissez le courant électrique et l'alimentation en gaz. Suivez les instructions d'allumage pour allumer l'appareil. Vérifiez le fonctionnement de l'appareil.

SCHEMA TIPIQUE DE CÂBLAGE POUR LES MHU 45, 50, 75 et 80

⚠ CHARGE MAXIMALE NE DOIT PAS DÉPASSER 20VA à 24V, CLASSE 2

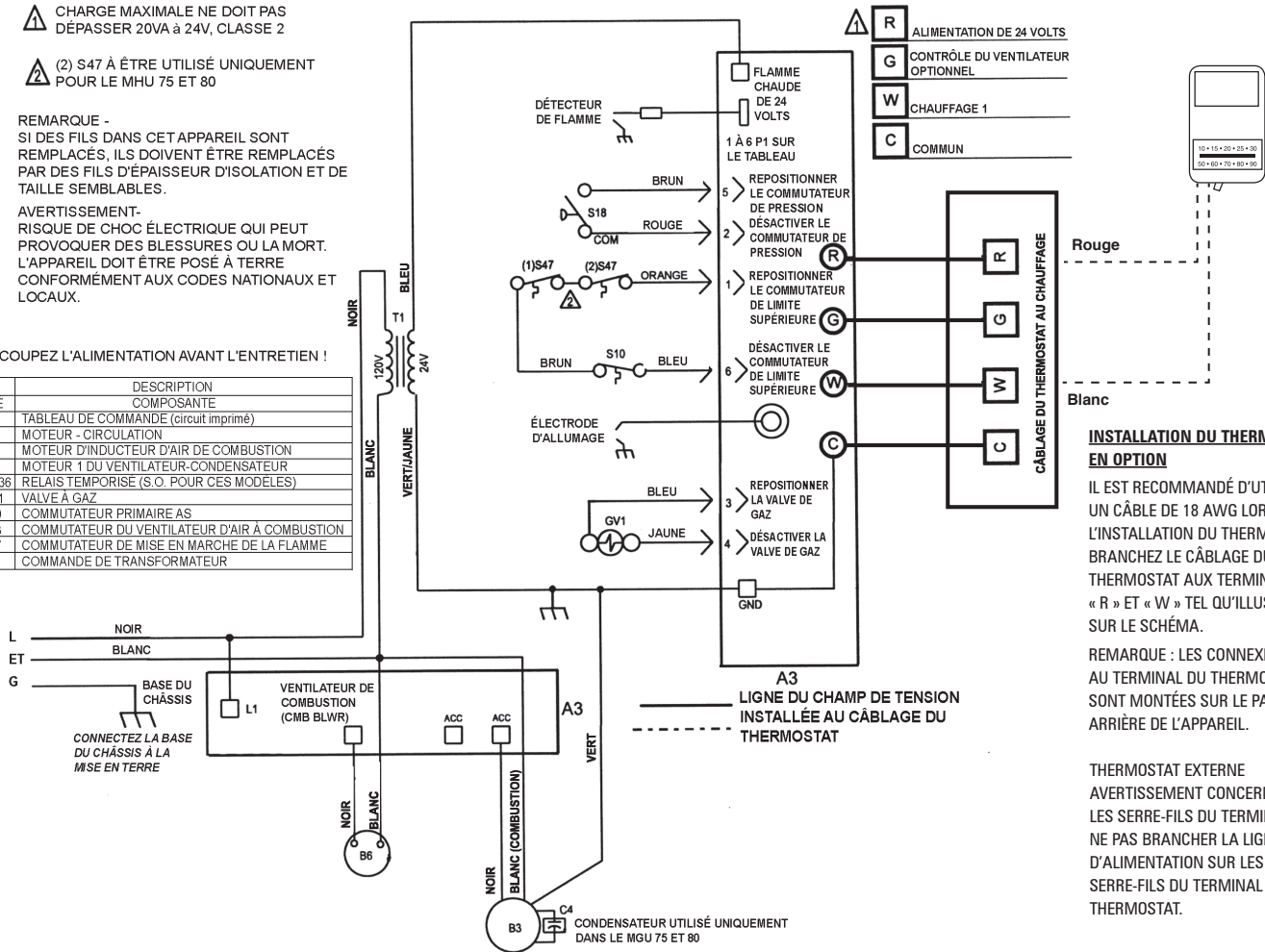
⚠ (2) S47 À ÊTRE UTILISÉ UNIQUEMENT POUR LE MHU 75 ET 80

REMARQUE -
SI DES FILS DANS CET APPAREIL SONT REMPLACÉS, ILS DOIVENT ÊTRE REMPLACÉS PAR DES FILS D'ÉPAISSEUR D'ISOLATION ET DE TAILLE SEMBLABLES.

AVERTISSEMENT-
RISQUE DE CHOC ÉLECTRIQUE QUI PEUT PROVOQUER DES BLESSURES OU LA MORT. L'APPAREIL DOIT ÊTRE POSÉ À TERRE CONFORMÉMENT AUX CODES NATIONAUX ET LOCAUX.

COUPEZ L'ALIMENTATION AVANT L'ENTRETIEN !

CLÉ	DESCRIPTION
A3	TABLEAU DE COMMANDE (circuit imprimé)
B3	MOTEUR - CIRCULATION
B6	MOTEUR D'INDUCTEUR D'AIR DE COMBUSTION
C4	MOTEUR 1 DU VENTILATEUR-CONDENSATEUR
DL 36	RELAIS TEMPORISÉ (S.O. POUR CES MODÈLES)
GV1	VALVE À GAZ
S10	COMMUTATEUR PRIMAIRE AS
S18	COMMUTATEUR DU VENTILATEUR D'AIR À COMBUSTION
S47	COMMUTATEUR DE MISE EN MARCHÉ DE LA FLAMME
T1	COMMANDE DE TRANSFORMATEUR



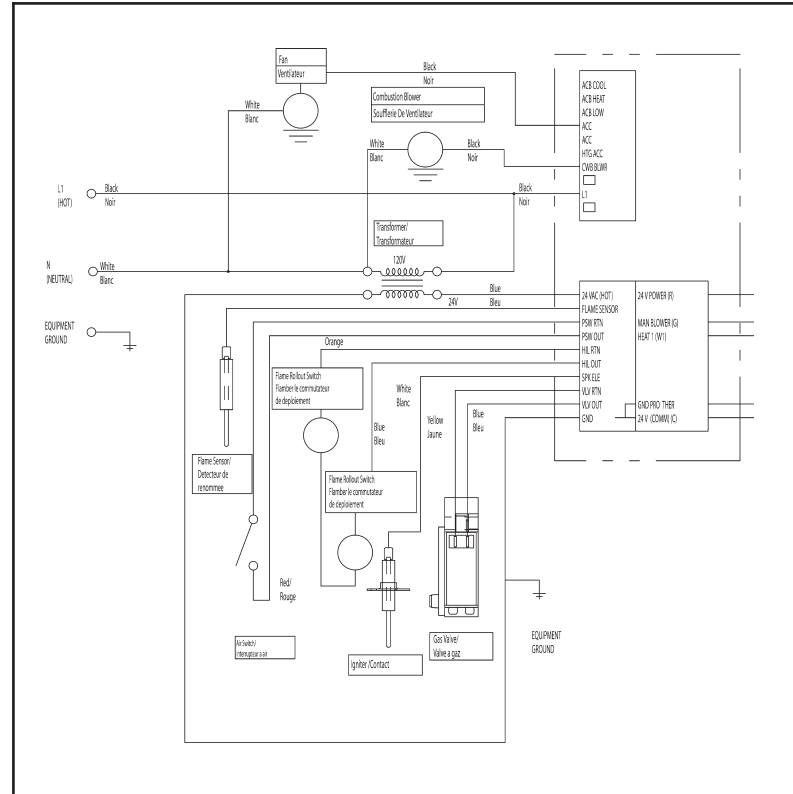
INSTALLATION DU THERMOSTAT EN OPTION

IL EST RECOMMANDÉ D'UTILISER UN CÂBLE DE 18 AWG LORS DE L'INSTALLATION DU THERMOSTAT. BRANCHEZ LE CÂBLAGE DU THERMOSTAT AUX TERMINAUX « R » ET « W » TEL QU'ILLUSTRÉ SUR LE SCHEMA.

REMARQUE : LES CONNEXIONS AU TERMINAL DU THERMOSTAT SONT MONTÉES SUR LE PANNEAU ARRIÈRE DE L'APPAREIL.

THERMOSTAT EXTERNE
AVERTISSEMENT CONCERNANT LES SERRE-FILS DU TERMINAL : NE PAS BRANCHER LA LIGNE D'ALIMENTATION SUR LES SERRE-FILS DU TERMINAL DU THERMOSTAT.

DIAGRAMME EN ESCALIER



VENTILATEUR DE L'AIR DE COMBUSTION

Dans des conditions normales, le ventilateur de l'air de combustion doit être vérifié et nettoyé avant la saison de chauffage, avec l'alimentation électrique de l'appareil débranchée. Utilisez une petite brosse pour nettoyer la roue du ventilateur.

CIRCUIT ÉLECTRIQUE

1. Vérifiez tout le câblage pour déceler les connexions de fils desserrées.
2. Vérifiez le voltage au niveau de l'appareil (appareil en fonction).
3. Vérifiez le courant tiré.

CONDUIT DE CHEMINÉE ET CHEMINÉE

Vérifiez si les joints de l'évent et du raccord d'évent sont fixés solidement. Assurez-vous que les raccords sont étanches et que rien n'obstrue le conduit.

L'APPAREIL NE FONCTIONNE PAS

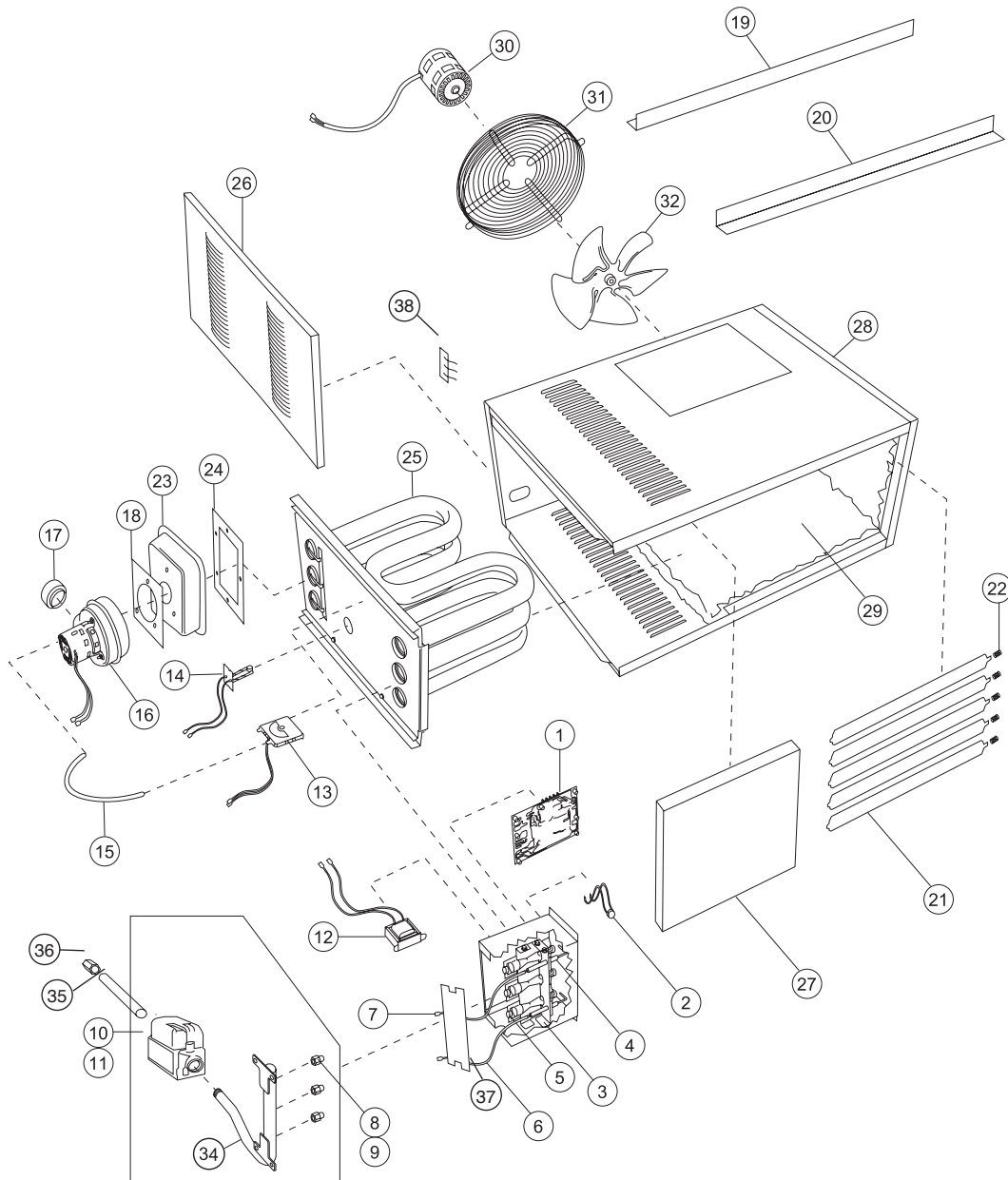
Si l'appareil ne fonctionne pas, vérifiez les points suivants :

1. Est-ce que le thermostat fait un appel de chaleur ?
2. Est-ce que l'interrupteur principal est fermé ?
3. Est-ce qu'un disjoncteur est déclenché ou un fusible grillé ?
4. Est-ce que l'alimentation de gaz est ouverte sur le compteur ?
5. Est-ce que la soupape d'arrêt manuelle du gaz est ouverte ?
6. Est-ce que le système d'allumage de l'appareil est en position verrouillée ? Si l'appareil se verrouille à nouveau, appelez un technicien du service d'entretien pour qu'il l'inspecte.
7. Est-ce que le pressostat est fermé ? Un conduit de cheminée obstrué entraînera la fermeture de l'appareil par le pressostat. Vérifiez le passage du conduit et sa sortie.

PIÈCES DE RECHANGE

Lorsque vous commandez des pièces de rechange, indiquez le numéro complet de modèle de l'appareil qui figure sur la plaque signalétique de l'appareil. Par exemple : MHU50/80.

Mr. Heater • Appareil compact / Radiateur utilitaire • Modèle no MHU 50/80



LISTE DES PIÈCES :

CONSULTEZ LA DERNIÈRE PAGE POUR DES INFORMATIONS SUR LES COMMANDES DE PIÈCES

N° RÉF.	DESCRIPTION	N° ARTICLE 50	QUANTITÉ	N° ARTICLE 80	QUANTITÉ
1	CARTE DE CIRCUIT	60105	1	S/A	1
2	SONDE DE LIMITE	60022	1	60021	2
3	ALLUMEUR PAR ÉLECTRODE	60035	1	S/A	1
4	SONDE À ÉLECTRODE	60040	1	S/A	1
5	BRÛLEUR	60050	3	60191	5
6	FIL CONDUCTEUR D'ALLUMAGE	60045	1	S/A	1
7	FIL CONDUCTEUR DE LA SONDÉ	60046	1	S/A	1
8	ORIFICE (GAZ NAT)	60049	3	S/A	5
9	ORIFICE (PROPANE)	60056	3	S/A	5
10	SOUPAPE À GAZ (GAZ NAT)	02812	1	S/A	1
11	SOUPAPE À GAZ (PROPANE)	02811	1	S/A	1
12	TRANSFORMATEUR	60025	1	S/A	1
13	PRESSOSTAT	60147	1	60146	1
14	ÉCHANG. DE CHALEUR À DISP. DE COMMANDE À MAX.	60015	1	S/A	1
15	TUBE DU PRESSOSTAT	60031	1	S/A	1
16	MOTEUR DU VENTILATEUR À TIRAGE INDUIT	60020	1	S/A	1
17	RACCORD D'ÉVENT	60130	1	60140	1
18	JOINT DU MOTEUR À TIRAGE INDUIT	60135	1	S/A	1
19	SUPPORT ARRIÈRE	60075	1	S/A	1
20	SUPPORT FRONTAL	60080	1	S/A	1
21	GRILLES D'AÉRATION	60100	5	S/A	7
22	RESSORT DE GRILLE D'AÉRATION	60103	5	S/A	7
23	BOÎTE DE CONDUIT DE CHEMINÉE	60189	1	60190	1
24	JOINT DE BOÎTE DE CONDUIT DE CHEMINÉE	60090	1	60092	1
25	ÉCHANGEUR DE CHALEUR	60065	1	60068	1
26	PORTE D'ACCÈS	60070	1	60072	1
27	AVANT	60095	1	60097	1
28	PORTE LATÉRALE	60110	1	60112	1
29	ENVELOPEUR	60115	3	60117	3
30	MOTEUR DE VENTILATEUR	60055	1	60054	1
31	GRILLE DE PROTECTION	60120	1	60122	1
32	ENSEMBLE VENTILATEUR	60125	1	60127	1
33*	DÉMARREUR PAR CONDENSATEUR			28788	1
34	COLLECTEUR	60062	1	60064	1
35	TUYAU D'ENTRÉE	60132	1	S/A	1
36	RACCORD D'ENTRÉE	60131	1	S/A	1
37	FILTRE POUR BRÛLEUR	60142	1	S/A	1
38	BORNES POUR THERMOSTAT	60144	1	S/A	1
39	BOÎTE DE CONNEXION DU CÂBLAGE	60159	1	S/A	1
40	COUVERCLE, BOÎTE DE CONNEXION DU CÂBLAGE	60160	1	S/A	1
Non illustré.	SUPPORT DE LA VANNE À GAZ	60158	1	S/A	1

* Non illustré

Composantes d'installation en option

THERMOSTAT 24 V	F210359
KIT DE VENTILATION VERTICALE DE 4" (80)	F102848
KIT DE VENTILATION VERTICALE DE 3" (50)	F102840
KIT DE VENTILATION HORIZONTALE EN ACIER INOXYDABLE DE 4" (80)	F102860

Kits de conversion de gaz

Gaz naturel en propane liquide

MHU 50/80 50 000 et 80 000 BTU..... F260163

Propane liquide en gaz naturel

MHU 50/80 50 000 et 80 000 BTU..... F260164



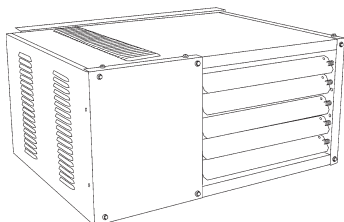
GUIDE D'UTILISATION ET MANUEL DU PROPRIÉTAIRE

Modèle n°

MHU 50

MHU 80

LISEZ SOIGNEUSEMENT LES INSTRUCTIONS : Lisez et observez toutes les instructions. Conservez ces instructions dans un endroit sécuritaire pour vous y référer ultérieurement. Ne permettez pas à quiconque n'ayant pas lu les présentes instructions d'assembler, d'allumer, de régler ou de faire fonctionner l'appareil.



Modèle n°	Numéro de série de démarrage
MHU50NG	LN260420-12001001
MHU50LP	LN260410-12001001
MHU80NG	LN260440-12001001
MHU80LP	LN260430-12001001

AVERTISSEMENT :

N'UTILISEZ QUE LES PIÈCES DE REMPLACEMENT DU FABRICANT. L'UTILISATION D'AUTRES PIÈCES RISQUE DE CAUSER DES BLESSURES OU LA MORT. LES PIÈCES DE RECHANGE NE SONT DISPONIBLES QUE DIRECTEMENT DE L'USINE ET DOIVENT ÊTRE INSTALLÉES PAR UN FOURNISSEUR DE SERVICES D'ENTRETIEN QUALIFIÉ.

INFORMATIONS SUR LA COMMANDE DE PIÈCES :

ACHAT : on peut se procurer des accessoires auprès de tous les détaillants locaux Mr. Heater ou directement du fabricant.

POUR PLUS D'INFORMATIONS CONCERNANT L'ENTRETIEN

Veillez appeler sans frais au 800-251-0001 • www.mrheater.com • www.Mr.Heater.com

Nos bureaux sont ouverts de 8 h 30 à 17 h, HNE, du lundi au vendredi.

Veillez inclure dans toutes les communications le numéro de modèle, la date d'achat et la description du problème.

GARANTIE LIMITÉE

L'entreprise garantit ce produit contre tout défaut de matériel ou de main-d'œuvre, dans des conditions d'utilisation normale et adéquate, conformément aux instructions de l'entreprise, pour une période de 3 ans sur les pièces (limitée) et de 10 ans sur l'échangeur de chaleur, à compter de la date de livraison à l'acheteur. L'entreprise réparera ou remplacera, à sa discrétion, les produits retournés port payé par l'acheteur au fabricant dans la période de un an et jugés par l'entreprise comme présentant des défauts de matériel ou de main-d'œuvre.

Si une pièce est endommagée ou manquante, veuillez appeler notre service d'assistance technique au 800-251-0001.

Adressez toute réclamation au département de l'entretien, Mr. Heater, Inc., 4560 W. 160TH ST., CLEVELAND, OHIO 44135. Inclure votre nom, adresse et numéro de téléphone et les détails concernant la réclamation. En outre, nous fournir la date d'achat et le nom et l'adresse du revendeur auprès duquel vous avez acheté notre produit.

Ce qui est énoncé ci-dessus constitue la responsabilité totale de l'entreprise. Il n'existe aucune autre garantie, expresse ou tacite. Plus précisément, il n'y a aucune garantie concernant l'adéquation à une utilisation particulière ni aucune garantie concernant la qualité marchande. En aucun cas l'entreprise ne sera tenue responsable des retards causés par des défauts, ni des dommages indirects, ni des dépenses encourues sans son consentement écrit, quelle que soit leur nature.

Le coût de la réparation ou du remplacement sera le seul recours possible en cas de violation de garantie. Il n'y a aucune garantie contre une transgression de ce genre ni aucune garantie tacite découlant des usages du commerce ou de la façon habituelle d'échanger. La présente garantie ne s'applique à aucun produit qui a été réparé ou modifié par d'autres que le fabricant si cela influe de quelque façon que ce soit sur l'état de l'appareil ou son fonctionnement, selon notre jugement.

Certains États ou provinces ne permettent pas d'exclure ou de limiter les dommages indirects ou subséquents. Par conséquent, les limitations ou exclusions ci-dessus mentionnées ne vous concernent peut-être pas. La présente garantie vous accorde des droits juridiques précis, mais vous pourriez avoir d'autres droits qui varient selon la province ou l'État.

Mr. Heater, Inc. se réserve le droit d'apporter des modifications à tout moment, sans préavis ni obligation, aux couleurs, caractéristiques, accessoires, matériaux et modèles.

ENREGISTREMENT DU PRODUIT : Nous vous remercions pour votre achat. Veuillez vous connecter à <http://www.egiregistration.com> pour enregistrer votre produit.



AND1283.8-2009 CSA 2.6-2009
APPAREIL DE CHAUFFAGE / RADIATEUR UTILITAIRE
CSA .10.96 U.S. (2e ÉD.)
APPAREIL DE CHAUFFAGE POUR USAGE RÉSIDENTIEL
CATÉGORIE I

Mr. Heater, INC., 4560 W. 160TH ST., CLEVELAND, OHIO 44135 • 216-916-3000

Mr. Heater est une marque déposée de Mr. Heater, Inc.

© 2003, Mr. Heater. Tous droits réservés.

Free Manuals Download Website

<http://myh66.com>

<http://usermanuals.us>

<http://www.somanuals.com>

<http://www.4manuals.cc>

<http://www.manual-lib.com>

<http://www.404manual.com>

<http://www.luxmanual.com>

<http://aubethermostatmanual.com>

Golf course search by state

<http://golfingnear.com>

Email search by domain

<http://emailbydomain.com>

Auto manuals search

<http://auto.somanuals.com>

TV manuals search

<http://tv.somanuals.com>