

OPERATING INSTRUCTIONS AND OWNER'S MANUAL

MR. HEATER

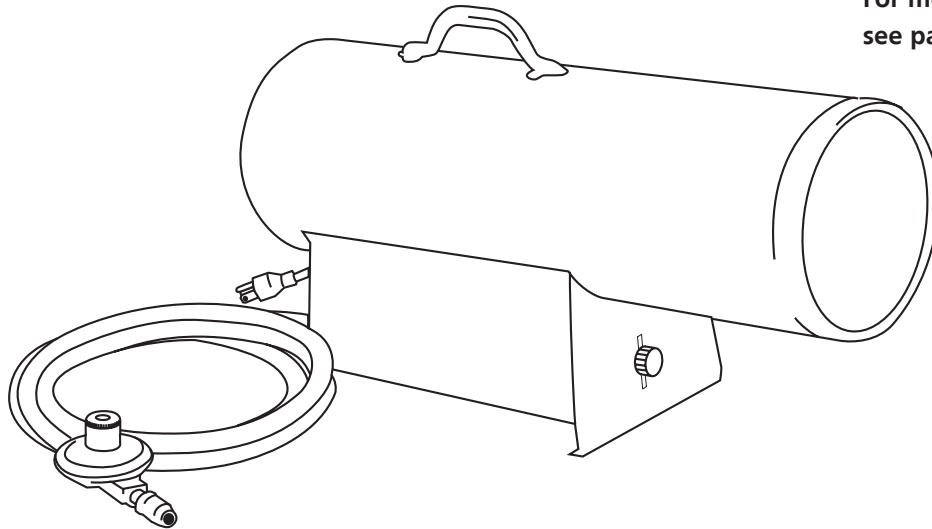
MODEL
MH170FAVT
PA170FAVT
(with thermostat)
TS170FAV
(without thermostat)

READ INSTRUCTIONS CAREFULLY: Read and follow all instructions. Place instructions in a safe place for future reference. Do not allow anyone who has not read these instructions to assemble, light, adjust or operate the heater.

HEATSTAR

MODEL
HS170FAVT

For model serial numbers,
see page E10.



Model # 170FAVT and 170FAV

FORCED-AIR PROPANE CONSTRUCTION HEATER

LANGUAGES

ENGLISH
Pages E1 — E10

FRENCH
Pages F1 — F10



WARNING: If the information in this manual is not followed exactly, a fire or explosion may result causing property damage, personal injury or loss of life.

- Do not store or use gasoline or other flammable vapors and liquids in the vicinity of this or any other appliance.
- An LP cylinder not connected for use shall not be stored in the vicinity of this or any other appliance.
- WHAT TO DO IF YOU SMELL GAS
 - Do not try to light appliance.
 - Extinguish any open flame.
 - Shut off gas to appliance.
- Service must be performed by a qualified service agency.

This is an unvented gas-fired portable heater. It uses air (oxygen) from the area in which it is used. Adequate combustion and ventilation air must be provided. Refer to page 3.

⚠ WARNING: YOUR SAFETY IS IMPORTANT TO YOU AND TO OTHERS, SO PLEASE READ THESE INSTRUCTIONS BEFORE YOU OPERATE THIS HEATER.

GENERAL HAZARD WARNING:

- ⚠** FAILURE TO COMPLY WITH THE PRECAUTIONS AND INSTRUCTIONS PROVIDED WITH THIS HEATER, CAN RESULT IN DEATH, SERIOUS BODILY INJURY AND PROPERTY LOSS OR DAMAGE FROM HAZARDS OF FIRE, EXPLOSION, BURN, ASPHYXIATION, CARBON MONOXIDE POISONING, AND/OR ELECTRICAL SHOCK.
- ⚠** ONLY PERSONS WHO CAN UNDERSTAND AND FOLLOW THE INSTRUCTIONS SHOULD USE OR SERVICE THIS HEATER.
- ⚠** IF YOU NEED ASSISTANCE OR HEATER INFORMATION SUCH AS AN INSTRUCTIONS MANUAL, LABELS, ETC. CONTACT THE MANUFACTURER.

⚠ WARNING: NOT FOR HOME OR RECREATIONAL VEHICLE USE

⚠ WARNING: FIRE, BURN, INHALATION, AND EXPLOSION HAZARD. KEEP SOLID COMBUSTIBLES, SUCH AS BUILDING MATERIALS, PAPER OR CARDBOARD, A SAFE DISTANCE AWAY FROM THE HEATER AS RECOMMENDED BY THE INSTRUCTIONS NEVER USE THE HEATER IN SPACES WHICH DO OR MAY CONTAIN VOLATILE OR AIRBORNE COMBUSTIBLES, OR PRODUCTS SUCH AS GASOLINE, SOLVENTS, PAINT THINNER, DUST PARTICLES OR UNKNOWN CHEMICALS.

The State of California requires the following warning:

⚠ WARNING: COMBUSTION BY-PRODUCTS PRODUCED WHEN USING THIS PRODUCT CONTAIN CARBON MONOXIDE, A CHEMICAL KNOWN TO THE STATE OF CALIFORNIA TO CAUSE CANCER AND BIRTH DEFECTS (OR OTHER REPRODUCTIVE HARM).

CONTENTS

Specifications E-2
Operating Precautions E-3
Safety Precations E-3
Odor Fade Warning E-4
Operating Instructions E-4
Storage & Service E-5
Lighting Instructions E-5
Wiring Diagram 170 FAVT E-6
Parts List 170 FAVT E-7
Exploded View Drawing 170 FAVT E-7
Wiring Diagram 170 FAV (No Thermostat) E-8
Parts List 170 FAV (No Thermostat) E-9
Exploded View Drawing 170 FAV (No Thermostat) E-9

SPECIFICATIONS

MODEL NO. 170FAVT
GAS TYPE Propane
BTU RATING. 125,000-170,000 BTU/hr
(36.6 - 49.8 kW)

GAS SUPPLY PRESSURE TO REGULATOR
Maximum: Bottle Pressure, **Minimum:** 5 psig (34.5 kPa)

REGULATOR OUT.....28" WC (6.97 kPa)
ELECTRICAL INPUT 115V, 60 Hz, 1Ø, 3a
IGNITION..... Direct Spark, interrupted type
PRIMARY FLAME CONTROL... SolidState,10-15 sec. timing

HIGH TEMPERATURE CONTROL.....240°F (116°C)
Minimum Ambient Temp. Rating: 0°F (-17.8°C)

FUEL CONSUMPTION 5.8 - 7.9 lbs/hr
(2.6 - 3.6 kg/hr)
FUEL ORIFICE PORT NO.: 18
FUEL ORIFICE PORT SIZE:.....0.80MM FAVT
0.82 MM FAV
HEATED AIR OUTPUT:..... 450 CFM (12.74 CU M/M)

OPERATING PRECAUTIONS

This is a propane, direct-fired, forced air heater. It's intended use is primarily temporary heating of buildings under construction, alteration or repair.

Propane is heavier than air. If propane leaks from a connection or fitting, it sinks to the floor, collecting there with the surrounding air, forming a potentially explosive mixture. Obviously, propane leaks should be avoided, so set up the propane supply with utmost care. Read enclosed Odor Fade and Propane Sheet for additional information about detecting propane leaks. Leak check new connections or reconnections with a soap and water solution and follow all connection instructions herein. Also, ask your propane dealer for advice on the propane application and supply installation and ask him to check it if there are any questions.

This heater was designed and certified for use as a construction heater in accordance with ANSI Standard Z83.7/CGA 2.14-2000. Check with your local fire safety authority if you have any questions about your applications. Other standards govern the use of fuel gases and heat producing products in specific applications. Your local authority can advise you about these.

Direct-Fired means that all of the combustion products enter the heated space. Even though this heater operates very close to 100 percent combustion efficiency, it still produces small amounts of carbon monoxide. Carbon monoxide (called CO) is toxic. We can tolerate small amounts but not a lot. CO can build up in a heated space and failure to provide adequate ventilation could result in death.

The symptoms of inadequate ventilation are:

- headache
- dizziness
- burning eyes and nose
- nausea
- dry mouth or sore throat

So, be sure to follow advice about ventilation in these operating instructions.

Forced Air means that a blower or fan pushes the air through the heater. Proper combustion depends upon this air flow; therefore, the heater must not be revised, modified or operated with parts removed or missing. Likewise, safety systems must not be circumvented or modified in order to operate the heater.

When the heater is to be operated in the presence of other people the user is responsible for properly acquainting those present with the safety precautions and instructions, and of the hazards involved.

Figure 1

VENTILATION: Minimum openings required

Heater	Opening near floor	Opening near ceiling
Forced air (170 FAVT)	3 ft ²	3 ft ²

SAFETY PRECAUTIONS

1. Check the heater thoroughly for damage. DO NOT operate a damaged heater.
2. DO NOT modify the heater or operate a heater which has been modified from its original condition.
3. Use only propane gas.
4. Use only VAPOR WITHDRAWAL propane supply. If there is any question about vapor withdrawal, ask your propane dealer.
5. Mount the propane cylinders vertically (shutoff valve up). Secure them from falling or being knocked over and protect them from damage.
6. Locate propane containers at least (USA) 7 ft. (2.13m), (Canada) 10 ft. (3m) from the heater and **do not** direct exhaust toward containers.
7. **IMPORTANT** Use only the hose and regulator assembly provided with the heater. Match the color stripe on the hangtag attached to the hose assembly with the color on the label located near the propane inlet fitting on the heater. Inspect hose assembly before each use of the heater. If there is excessive abrasion or wear, or hose is cut, replace with hose assembly listed on parts list before using heater.
8. For indoor use only. Area must be well ventilated. **Figure 1.** (also see "Operating Precautions").
9. If at any time gas odor is detected, IMMEDIATELY DISCONTINUE operation until the source of gas has been located and corrected. Read enclosed Odor fade and Propane Sheet for additional information about detecting propane leaks.
10. Install the heater such that it is not directly exposed to water spray, rain and/or dripping water.
11. Maintain minimum clearance from normal combustibile material (like paper). **Figure 2.**
12. Due to the high surface and exhaust temperatures, adults and children must observe clearances to avoid burns or clothing ignition.
13. Operate only on a stable, level surface.
14. Do not use with duct work. Do not restrict inlet or exit.
15. Use only the electrical power specified. The electrical connection and grounding must comply with National Electrical Code - ANSI/NFPA 70 (USA) and CSA C22.1 Canadian Electrical Code, Part 1 (Canada).
16. Use only a properly grounded 3-prong receptacle or extension cord.
17. Do not move, handle or service while hot or burning.
18. Do not adjust the heater combustion tube elevation while heater is running or hot. Adjustments to elevation should only be made after the heater has cooled to touch.
19. Use only in accordance with local codes or, in the absence of local codes, with the Standard for the Storage and Handling of Liquefied Petroleum Gases ANSI/NFPA 58 and CSA B149.1, Natural Gas and Propane Installation Code.

Figure 2: MINIMUM CLEARANCE: From normal combustibile materials

Clearance	Forced Air 170FAVT
From floor.....	0 ft
From outlet.....	6 ft
From sides.....	2 ft
From top.....	3 ft
Locate 10 ft. from canvas or plastic tarpaulins or similar coverings and secure them to prevent flapping or movement due to wind action.	

ODOR FADE WARNING

WARNING

Asphyxiation Hazard

- Do not use this heater for heating human living quarters.
- Do not use in unventilated areas.
- The flow of combustion and ventilation air must not be obstructed.
- Proper ventilation air must be provided to support the combustion air requirements of the heater being used.
- Refer to the specification section of the heater's manual, heater dataplate, or contact the Factory to determine combustion air ventilation requirements of the heater.
- Lack of proper ventilation air will lead to improper combustion.
- Improper combustion can lead to carbon monoxide poisoning leading to serious injury or death. Symptom of carbon monoxide poisoning can include headaches dizziness and difficulty in breathing.

FUEL GAS ODOR

LP gas and natural gas have man-made odorants added specifically for detection of fuel gas leaks.

If a gas leak occurs you should be able to smell the fuel gas. Since Propane (LP) is heavier than air you should smell for the gas odor low to the floor. **ANY GAS ODOR IS YOUR SIGNAL TO GO INTO IMMEDIATE ACTION!**

- Do not take any action that could ignite the fuel gas. Do not operate any electrical switches. Do not pull any power supply or extension cords. Do not light matches or any other source of flame. Do not use your telephone.
- Get everyone out of the building and away from the area immediately.
- Close all propane (LP) gas tank or cylinder fuel supply valves, or the main fuel supply valve located at the meter if you use natural gas.
- Propane (LP) gas is heavier than air and may settle in low areas. When you have reason to suspect a propane leak, keep out of all low areas.
- Use your neighbor's phone and call your fuel gas supplier and your fire department. Do not re-enter the building or area.
- Stay out of the building and away from the area until declared safe by the firefighters and your fuel gas supplier.
- FINALLY, let the fuel gas service person and the firefighters check for escaped gas. Have them air out the building and area before you return. Properly trained service people must repair any leaks, check for further leakages, and then relight the appliance for you.

ODOR FADING - NO ODOR DETECTED

- Some people cannot smell well. Some people cannot smell the odor of the man-made chemical added to propane (LP) or natural gas. You must determine if you can smell the odorant in these fuel gases.
- Learn to recognize the odor of propane (LP) gas and natural gas. Local propane (LP) gas dealers will be more than happy to give you a scratch and sniff pamphlet. Use it to become familiar with the fuel gas odor.
- Smoking can decrease your ability to smell. Being around an odor for a period of time can affect your sensitivity to that particular odor. Odors present in animal confinement buildings can mask fuel gas odor.
- **The odorant in propane (LP) gas and natural gas is**

colorless and the intensity of its odor can fade under some circumstances.

- If there is an underground leak, the movement of gas through the soil can filter the odorant.
- Propane (LP) gas odor may differ in intensity at different levels. Since Propane (LP) gas is heavier than air, there may be more odor at lower levels.
- **Always be sensitive to the slightest gas odor.** If you continue to detect any gas odor, no matter how small, treat it as a serious leak. Immediately go into action as discussed previously.

ATTENTION - CRITICAL POINTS TO REMEMBER!

- **Propane (LP) gas has a distinctive odor. Learn to recognize these odors. (Reference Fuel Gas Odor and Odor Fading sections above.**
- Even If you are not properly trained in the service and repair of the heater, ALWAYS be consciously aware of the odors of propane (LP) gas and natural gas.
- If you have not been properly trained in repair and service of propane (LP) gas then do not attempt to light heater, perform service or repairs, or make any adjustments to the heater on the propane (LP) gas fuel system.
- A periodic sniff test around the heater or at the heater's joints; i.e. hose, connections, etc., is a good safety practice under any conditions. If you smell even a small amount of gas, CONTACT YOUR FUEL GAS SUPPLIER IMMEDIATELY. DO NOT WAIT!

Heater Elevation Adjustment

This heater is equipped with an elevation adjustment panel located at the exhaust end of the control box.

1. Do not adjust the heater combustion tube elevation while heater is running or hot. Adjustments to elevation should only be made after the heater has cooled to touch.
2. To adjust the heater combustion tube elevation, turn the adjustment screw knob counterclockwise and lift the combustion tube to desired position.

OPERATING INSTRUCTIONS

PREPARING FOR OPERATION

1. Check the heater for possible shipping damage. If any is found, *immediately* notify the factory.
2. Follow all of the "Precautions".
3. Connect the POL fitting of hose and regulator assembly to the propane cylinder by rotating the POL nut counterclockwise into the propane cylinder's valve outlet and securely tighten with a wrench.
4. Connect the hose to the heater by rotating the hose fitting clockwise.
5. Securely tighten all gas connections.
6. Open the cylinder's gas valve and check all gas connections with a soap and water solution. **DO NOT USE A FLAME.**
7. Connect power cord to well-grounded 115V, 60 Hz, 1Ø source of power.
8. When using an extension cord, make certain that it is a 3-wire (grounded) cord of proper wire size.

170FAVT (WITH THERMOSTAT)

START

1. Slowly open the main valve at propane cylinder to prevent excess flow check valve from closing.
2. Set thermostat to full on. Heater will ignite automatically.
3. Adjust ball valve on control panel to desired burn rate.
4. Set thermostat to desired temperature. Heater will turn off and on automatically as the temperature varies in the heater area.

STOP

1. Securely close valve on the propane cylinder.
2. Continue to operate heater until all fuel in the hose has burned.
3. Turn the heater thermostat to "off". For extended shut down or in areas where the temperature is below 0°F, unplug the heater.

170FAV (WITHOUT THERMOSTAT)

START

1. Before heater ignition, always allow heater fan (blower) to run for 20 seconds to purge fuel.
2. Slowly open the main valve at propane cylinder.
3. Depress the fuel valve button to light the heater.
4. After the heater lights, keep the gas valve button depressed for 15 seconds then release and the heater will continue to operate.
5. Adjust burn rate by setting control knob to desired level.
6. Igniter continues to fire as long as power cord is plugged in.
 - a) Igniter sparks continually.
7. No thermostat usable with these units.

STOP

1. Securely close valve on the propane cylinder.
2. Continue to operate heater until all fuel in the hose has burned.
3. Unplug the power cord.

RESTART AFTER SAFETY SHUTDOWN

1. Securely close valve at propane cylinder. Unplug heater.
2. Wait 5 minutes.
3. Restart following "Start" procedure.

MAINTENANCE AND STORAGE

1. The heater should be inspected before each use, and at least annually by a qualified person.
2. Before each use, check the soft "O" ring seat at the bullnose of the POL fitting. If the "O" ring is cut, scuffed, or otherwise damaged, replace it with part number 6681.
3. Turn off the gas at the LP-gas supply cylinder(s) when the heater is not in use.
4. When the heater is to be stored indoors, the connection between the LP-gas supply cylinder(s) and the heater must be disconnected and the cylinder(s) removed from the heater and stored out of doors and in accordance with Chapter 5 of the standard for Storage and Handling of Liquefied Petroleum Gases ANSI/NFPA 58 and CSA B149.1, Natural Gas and Propane Installation Code.

SERVICING

A hazardous condition may result if a heater is used that has been modified or is not functioning properly.

When the heater is working properly:

- The flame is contained within the heater.
- The flame is essentially blue with perhaps some yellow tipping.
- There is no strong disagreeable odor, eye burning or other physical discomfort.
- There is no smoke or soot internal or external to the heater.
- There are no unplanned or unexplained shut downs of the heater.

The parts lists and wiring diagram show the heater as it was constructed. Do not use a heater which is different from that shown. In this regard, use only the hose, regulator and cylinder connection fitting (called a POL fitting) supplied with the heater. **IMPORTANT** Match the color stripe on the hangtag attached to the hose assembly with the color on the label located near the propane inlet fitting on the heater. Do not use alternates. For this heater, the regulator must be set as shown in "specifications". If there is any uncertainty about the regulator setting, have it checked.

A heater which is *not* working right must be repaired, but *only* by a trained, experienced service person.

In-warranty products will be repaired with no charge for either parts or labor. Please include a brief statement indicating date, place of purchase, the nature of the problem and proof of purchase.

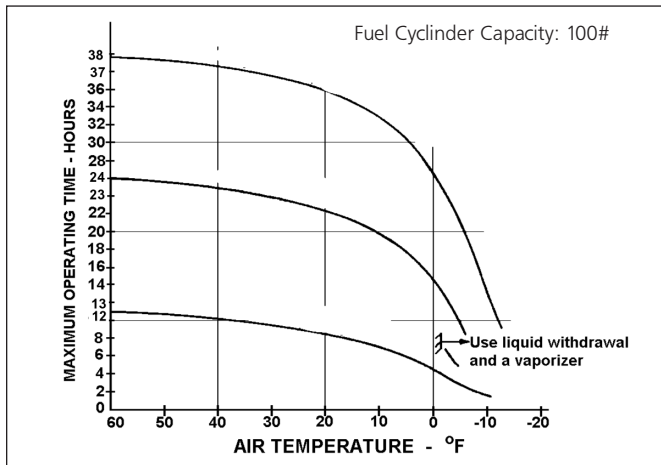
Out-of-warranty products will be repaired with a charge for parts and labor.

SIZE AND CAPACITY OF PROPANE CYLINDERS

The charts below show the approximate size of the cylinder required for these heaters. To use the chart:

1. Select the lowest air temperature expected (at the bottom of the chart).
2. Move straight up to time of operation desired (left side of the chart).
3. Read the cylinder size required.

All heaters should have: full cylinders
good air circulation
no frost on cylinders



HOW MUCH HEAT DO I REQUIRE?

For economy, it is important to match input to that required. But heat requirements often vary. For example, it usually takes a lot more heat to get things warm than it does to keep them that way. Likewise, outside air temperature usually changes during the day so you may need more heat at night than you do in the daytime. An approximation of the heat required can be found by using the chart below.

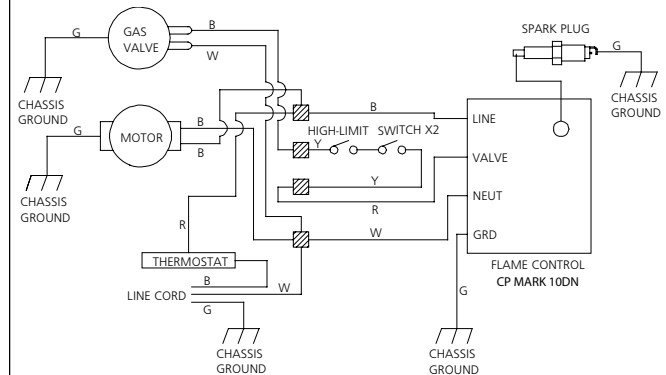
BTU'S PER HOUR REQUIRED				
Cubic feet of space to be heated	Temperature Rise Required (°F)*			
	20°	30°	40°	50°
5,000	14,000	20,000	27,999	34,000
7,000	19,000	28,000	38,000	47,000
10,000	27,000	40,000	54,000	67,000
15,000	40,000	60,000	80,000	100,000
20,000	54,000	80,000	107,000	133,000
30,000	80,000	120,000	160,000	200,000
50,000	133,000	200,000	266,000	333,000

WARNING: When using a thermostat controlled heater, its exit area should be protected from personnel and warnings posted of sudden startup.

Recommended Minimum Gauge for Cord Extensions

Wire Gauge Chart A.W.G.				
Name Plate 120V Amps.	Cord Length in Feet			
	25	50	100	150
5-6	18	16	14	12
6-8	18	16	12	10
8-12	18	14	12	10
10-12	16	14	10	8
12-14	16	12	10	8

Model #170FAVT WIRING DIAGRAM



COLOR CODE

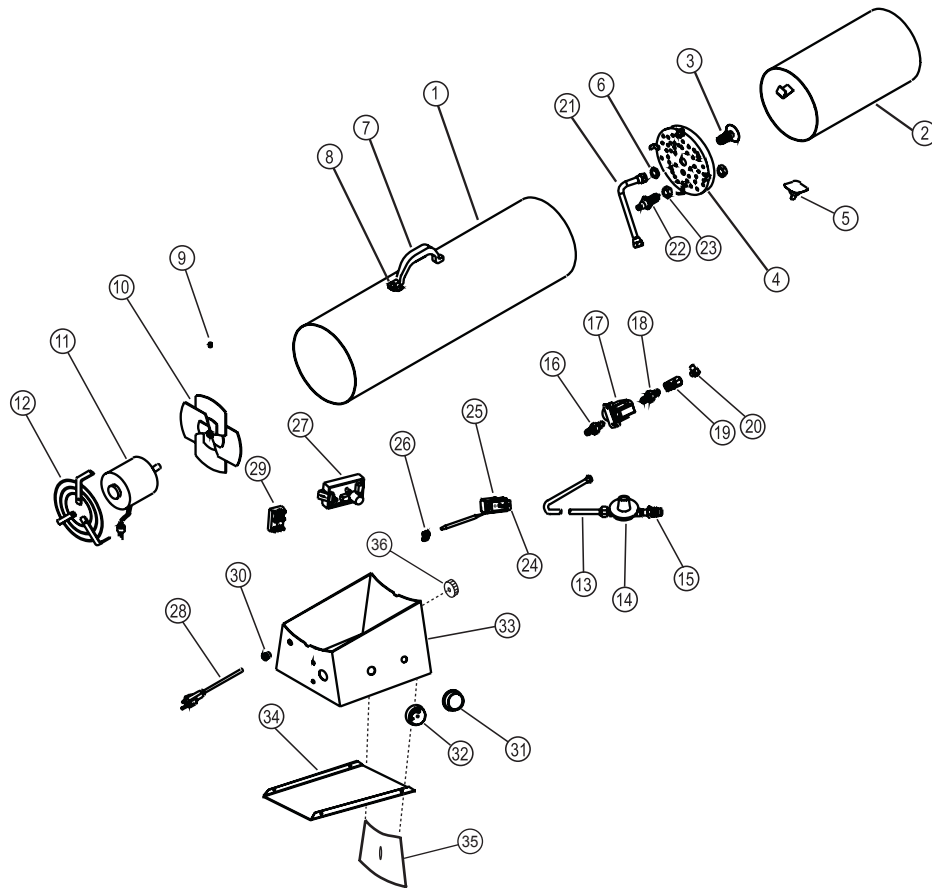
B - BLACK
L - BLUE
G - GREEN
O - ORANGE
R - RED
W - WHITE

If any original wiring as supplied by the heater must be replaced, it must be replaced with type AWG 105° C wire or its equivalent except as indicated (*type SF2-200, **SGI 250° C).

170FAVT - WIRING CHART

COLOR	LENGTH	FROM	TO
White	7"	Valve	Terminal Block
Black	6"	On/Off Switch	Terminal Block
Red-(Hi-Temp)	16 1/2"	High Limit Switch	Valve
Red-(Hi-Temp)	16 1/2"	High Limit Switch	Terminal Block
Orange	11"	Flame Control (Ignition)	Spark Plug
Green	7"	Flame Control (Harness)	Ground
Red	7"	Flame Control (Harness)	Terminal Block
White	6"	Flame Control (Harness)	Terminal Block
Black	6"	Flame Control (Harness)	Terminal Block

Model #170FAVT (WITH THERMOSTAT) PARTS LIST



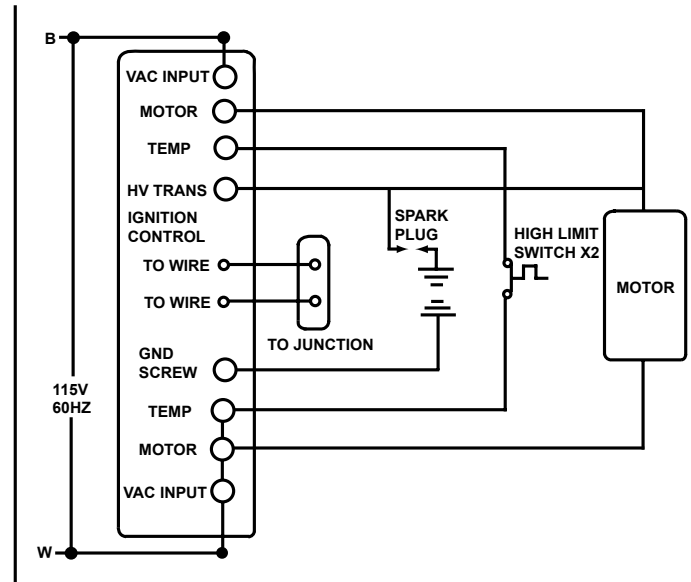
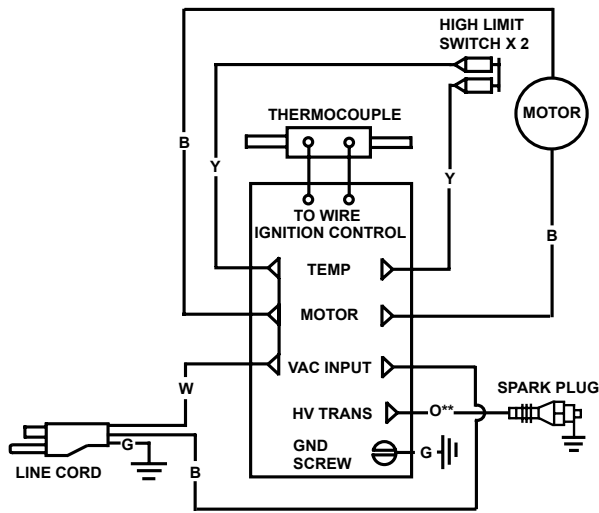
Item	Part No.	Description	Qty.	Item	Part No.	Description	Qty.
1	21732	Outer Shell - Model MH, HS	1	24	24340	Thermostat Mounting Bracket	1
1	21737	Outer Shell - Model PA	1	25	22254	Thermostat Assembly	1
2	22249	Middle Cylinder	1	26	26070	Loop Clamp, 5/16	1
3	22250	Orifice Assembly	1	27	27808	Flame Control, Potted	1
4	21146	Flame Holder Assembly	1	28	21036	Power Cord Assembly	1
5	26168	High Limit Switch	1	29	28771	Terminal Board	1
6	23038	Orifice Nut	1	30	26223	Bushing Strain Relief	1
7	27095	Handle	1	31	28772	Knob, Thermostat	1
8	27094	Handle Mounting Clips	2	32	28773	Knob, Burn Rate Adjustment	1
9	26010	Set Screw, Nyloc	1	33	22255	Control Box	1
10	26074	Fan	1	34	22273	Base, Control Box	1
11	22251	Motor Assembly	1	35	22274	Elevation Plate	1
12	22252	Grille, Inlet/Motor Mounting	1	36	22275	Elevation knob	1
13	26152	Hose Assembly	1	*	26375	Label, Elevation Adjustment	1
*	26152-20	Hose Assembly, 20' (HS only)	1	*	28769	Label, Safety Precautions	1
14	26257	Regulator, 28" WC	1	*	28755	Label, General Hazard Warning	1
15	26433	POL Excess Flow Valve	1	*	28733	Label, Model	1
16	26122	Male Fitting Conn. 3/8MPT x 3/8SAE FLR	1	*	28731	Label, Operating Instructions	1
17	26101	Solenoid Valve, Goyen	1	*	26410	Label, Thermostate Warning	1
18	28775	Fitting Close Nipple	1	*	27704	Label, Warning Massachusetts	1
19	28777	Burn Rate Adjustment Valve	1	*	26374	Label, Warning Electrical	1
20	28776	Fitting, Elbow 3/8MPT x 1/2 SAE FLR	1	*	27789	Label, Wiring Schematic	1
21	22253	Fuel Tube Assembly	1	*	28203	Label, Hang Tag	1
22	28774	Spark Plug, Flame Sensor	1	*	28679	Label, BTU 170,000	1
23	23037	Spark Plug Nut	1	*	70176	Manual, Operating Instructions	1
				*	26225	Snap Bushing, 5/8	2


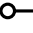
* Item not shown on exploded view

Model #170FAV (WITHOUT THERMOSTAT) WIRING DIAGRAM

CONNECTION DIAGRAM

SCHEMATIC DIAGRAM



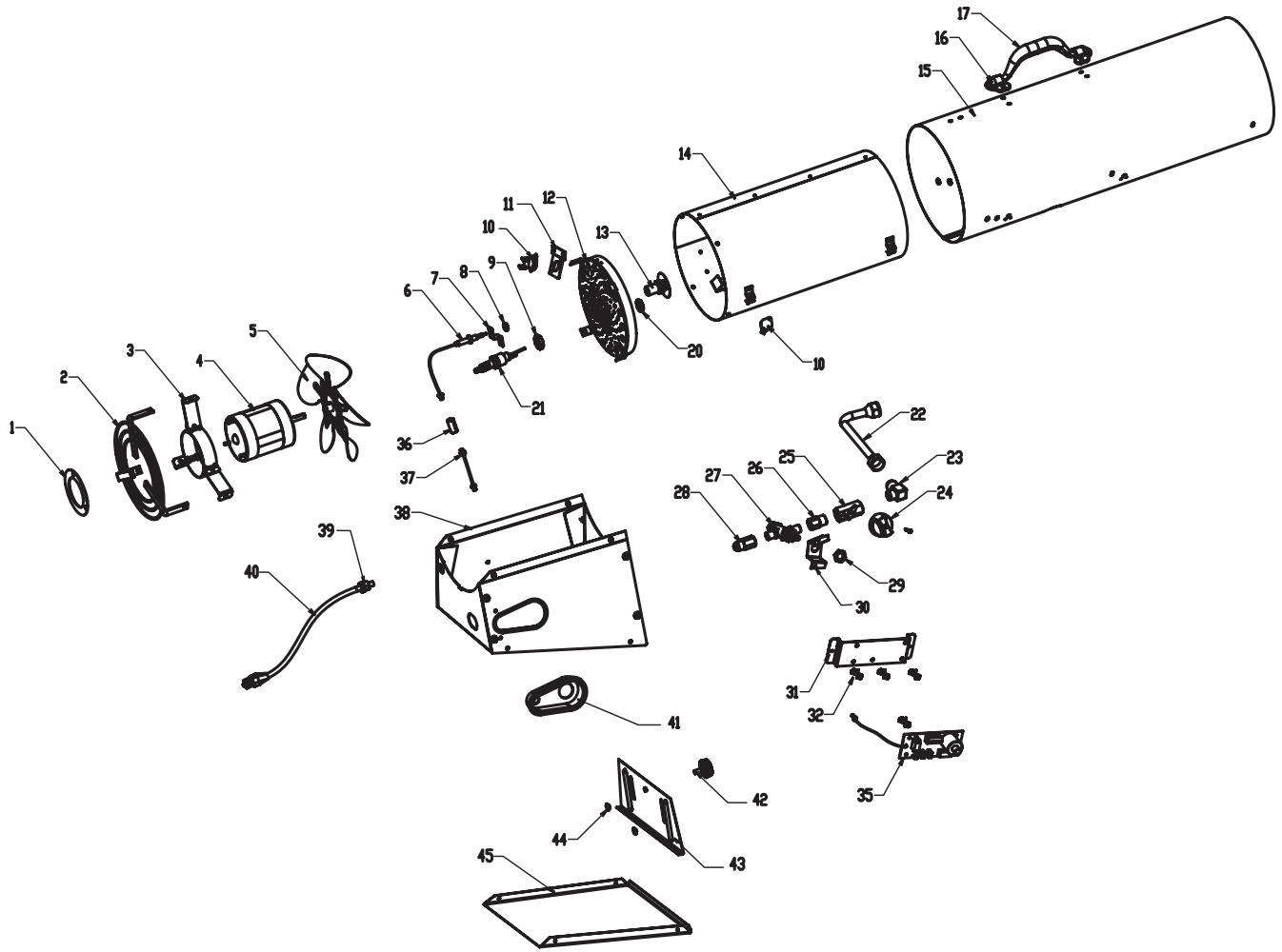
COLOR CODE		LEGEND
B	BLACK	 FEMALE CONN.  RING CONN.
R	RED	
Y	YEL	
W	WHITE	
O	ORG	
G	GREEN	

NOTE: If any original wiring as supplied with the heater, must be replaced, It must be replaced with Type AWG 105° C wire or its equivalent, except as indicated (Type SF 2.200, **SGI-250° C)

WIRING CHART (Wire: Type AWG 150° C or equivalent (Type SF2-200, **SGI-250° C))

Color	Length	From	To
Yellow	18" (406mm)	High Limit	Ignition Control Temp. Terminal
Yellow	18" (406mm)	High Limit	Ignition Control Temp Terminal

Model #170FAV (WITHOUT THERMOSTAT) PARTS LIST



REF. #	ITEM #	DESCRIPTION	QTY.	REF. #	ITEM #	DESCRIPTION	QTY.
1	21898	Motor Support Ring	1	30	21907	Bracket, ThermoValve Mt.	1
2	22252	Grill, Inlet/Motor Mounting	1	31	23045	Bracket, Ignition/Relay	1
3	21899	Support, Motor Stabilizer	1	32	26079	Spacer, Standoff	4
4	22251	Motor	1	35	23276	Ignition/Relay Module	1
5	26074	Fan	1	36	26134	Compression Block, Relay	1
6	26655	Thermocouple, 10" w/JB	1	37	26656	Thermocouple, Connector	1
7	23036	Bracket, Thermocouple	1	38	21908	Control Box Assembly	1
8	21900	Nut, Thermocouple	1	39	26223	Strain Relief Bushing	1
9	23038	Nut, Orifice	1	40	21036	Power Cord Assembly	1
10	26168	High Limit Switch	2	41	21912	Cover, Cup, Valve	1
11	21901	Bracket, High Limit Switch	1	42	25026	Knob, Elevation	1
12	21146	Flame Holder Assembly	1	43	22274	Plate, Elevation	1
13	21902	Orifice Assembly	1	44	21909	Nut, Elev. Plate Retaining	2
14	22249	Middle Cyl. Assembly	1	45	22273	Base, Control Box	1
15	21737	Outer Shell TS	1	*	26375	Label, Elevation Adjust.	1
16	27095	Clips, Handle Mounting	2	*	28769	Label, Safety Precautions	1
17	27094	Handle, Plastic	1	*	28755	Label, General Hazard Warning	1
20	23037	Nut, Spark Plug	1	*	28733	Label, Model	1
21	28774	Spark Plug/Flame Sensor	1	*	28784	Label, Operating Inst.	1
22	21903	Flame Tube Assembly	1	*	27704	Label, Warning Massachusetts	1
23	28776	Elbow, Flame Tube	1	*	26374	Label, Electrical Grounding	1
24	25027	Knob, Variable Rate	1	*	21910	Label, Wiring Diagram	1
25	28777	Valve, Variable Rate	1	*	28203	Label, Hang Tag	1
26	21905	Ftg. Connector	1	*	26373	Label, Fan Rotation	1
27	27285	Valve, Thermoelectric	1	*	27709	Label, Fuel Button	1
28	26127	Ftg. Male Connector	1	*	70176	Manual, Operating Inst.	1
29	21906	Nut, TE Valve Retainer	1	*	26225	Snap Bushings, 5/8"	2

OPERATING INSTRUCTIONS AND OWNER'S MANUAL

MR. HEATER

MH170FAVT
(with thermostat)
TS170FAV
(without thermostat)

MODEL

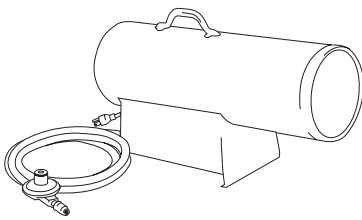
READ INSTRUCTIONS CAREFULLY: Read and follow all instructions. Place instructions in a safe place for future reference. Do not allow anyone who has not read these instructions to assemble, light, adjust or operate the heater.

HEATSTAR

HS170FAVT

MODEL

Model	Starting Serial Number
MH170FAVT	LN-2701700001001
HS170FAVT	LN-1701700001001
PA170FAVT	LN-2220630001001



WARNING:

USE ONLY MANUFACTURER'S REPLACEMENT PARTS. USE OF ANY OTHER PARTS COULD CAUSE INJURY OR DEATH. REPLACEMENT PARTS ARE ONLY AVAILABLE DIRECT FROM THE FACTORY AND MUST BE INSTALLED BY A QUALIFIED SERVICE AGENCY. MR. HEATER HOSES F273701, F273702 AND F272702 ARE SPECIFICALLY DESIGNED FOR USE WITH THIS HEATER ALONG WITH F273699 DISPOSABLE FUEL FILTER (REPLACE ANNUALLY) OR HOSE F273704 (FILTER NOT REQUIRED). USE OF OTHER HOSES MAY CAUSE THE HEATER TO BECOME INOPERABLE.

PARTS ORDERING INFORMATION:

PURCHASING: Accessories may be purchased at any Mr. Heater local dealer or direct from the factory

FOR INFORMATION REGARDING SERVICE

Please call Toll-Free 800-251-0001
www.mrheater.com

Our office hours are 8:30 AM – 5:00 PM, EST, Monday through Friday.

Please include the model number, date of purchase, and description of problem in all communication.

LIMITED WARRANTY

Mr. Heater, Inc. warrants its heaters and accessories to be free from defects in material and workmanship for a period of 1 year from date of purchase. Mr. Heater, Inc. will repair or replace this product free of charge if it has been proven to be defective within the 1-year period, and is returned at customer expense with proof of purchase to Mr. Heater, Inc. within the warranty period.

Mr. Heater, Inc. reserves the right to make changes at any time, without notice or obligation, in colors, specifications, accessories, materials and models.

Mr. Heater GROUP, INC., 4560 W. 160TH ST., CLEVELAND, OHIO 44135 • 800-251-0001
Mr. Heater is a registered trademarks of Mr. Heater Group, Inc.
© 2009, Mr. Heater Group, Inc. All rights reserved



ANSI Z83.7a/CGA 2.14a-2007

GUIDE D'UTILISATION ET INSTRUCTIONS DE FONCTIONNEMENT

MR. HEATER

MODÈLE

MH170FAVT
PA170FAVT
(avec le thermostat)
TS170FAV
(sans thermostat)

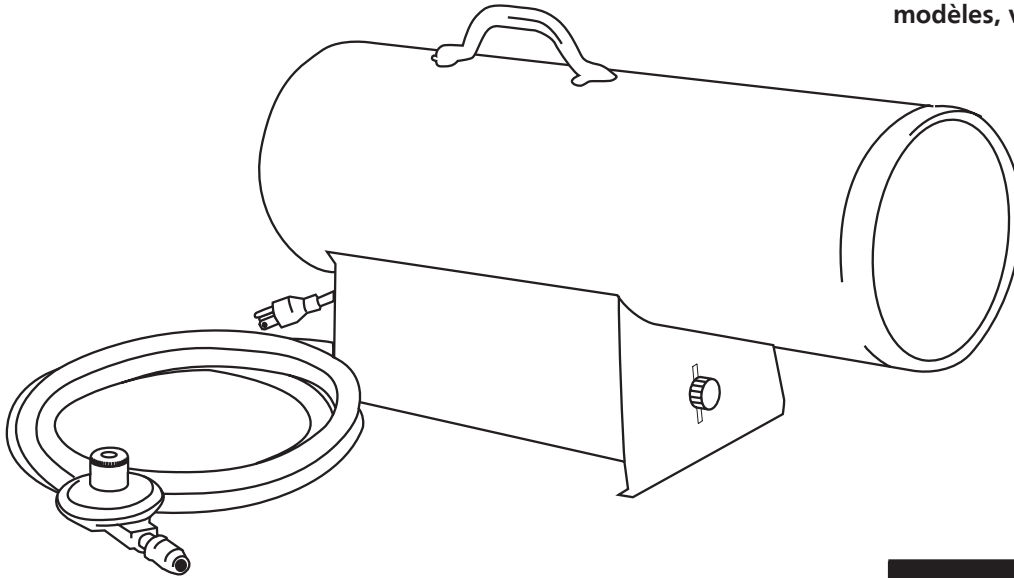
LISEZ SOIGNEUSEMENT LES INSTRUCTIONS :
Lisez et observez toutes les instructions. Conservez les instructions en sécurité pour vous y référer ultérieurement. Interdisez à quiconque n'ayant pas lu les présentes instructions d'assembler, d'allumer, de régler ou de faire fonctionner cet appareil de chauffage.

HEATSTAR

MODÈLE

HS170FAVT

Pour les numéros de série modèles, voir la page F10.



Modèle n° 170FAVT et 170FAV

APPAREIL DE CHAUFFAGE AU PROPANE À AIR PULSÉ POUR CHANTIER DE CONSTRUCTION

LANGUAGES

ENGLISH
Pages E1 — E10

▶ FRENCH
Pages F1 — F10

AVERTISSEMENT : Le non-respect des instructions, telles qu'indiquées dans le présent guide, risque de causer une explosion ou un incendie entraînant des dommages matériels ou des blessures graves, voire mortelles.

- N'entreposez ni n'utilisez d'essence ou autres liquides ou vapeurs inflammables à proximité de ce type d'appareil.
- Aucune bonbonne de propane liquéfié non raccordée pour utilisation ne doit se trouver à proximité de cet appareil, ni d'aucun autre appareil.
- EN PRÉSENCE D'UNE ODEUR DE GAZ
 - Ne tentez pas d'allumer l'appareil de chauffage.
 - Éteignez toute flamme nue.
 - Fermez l'alimentation en gaz à l'appareil.
- L'entretien doit être effectué par un fournisseur de services d'entretien qualifié.

Cet appareil de chauffage portatif alimenté au gaz n'est pas ventilé. Il utilise l'oxygène de l'air ambiant. Une circulation d'air adéquate doit être assurée pour la combustion et la ventilation. Voir page 3.

AVERTISSEMENT : VOTRE SÉCURITÉ PERSONNELLE ÉTANT IMPORTANTE POUR TOUS, VEUILLEZ LIRE LES INSTRUCTIONS AVANT D'UTILISER CET APPAREIL DE CHAUFFAGE.

AVERTISSEMENT GÉNÉRAL DE DANGER :

LE NON-RESPECT DES MESURES DE PRÉVENTION ET INSTRUCTIONS FOURNIES AVEC CET APPAREIL DE CHAUFFAGE RISQUE DE CAUSER LA MORT, DES BLESSURES GRAVES ET DES DOMMAGES OU DES PERTES MATÉRIELLES RÉSULTANT D'INCENDIE, D'EXPLOSION, DE BRÛLURE, D'ASPHYXIE, D'INTOXICATION AU MONOXYDE DE CARBONE OU D'ÉLECTROCUTION.

SEULES LES PERSONNES APTES À COMPRENDRE ET À RESPECTER LES INSTRUCTIONS DEVRAIENT UTILISER OU EFFECTUER L'ENTRETIEN DE CET APPAREIL DE CHAUFFAGE.

SI VOUS AVEZ BESOIN D'AIDE OU D'INFORMATION AU SUJET DE L'APPAREIL DE CHAUFFAGE (MANUEL D'INSTRUCTIONS, ÉTIQUETTES, ETC.), VEUILLEZ COMMUNIQUER AVEC LE FABRICANT.

AVERTISSEMENT : NON CONÇU POUR UNE UTILISATION DANS LA MAISON OU UN VÉHICULE RÉCRÉATIF

AVERTISSEMENT : DANGER D'INCENDIE, D'EXPLOSION ET D'INHALATION. CONSERVEZ LES MATÉRIELLES COMBUSTIBLES TELS QUE LES MATÉRIELLES DE CONSTRUCTION, LE PAPIER ET LE CARTON À UNE DISTANCE SÉCURITAIRE DE L'APPAREIL DE CHAUFFAGE COMME LE RECOMMANDENT LES INSTRUCTIONS. N'UTILISEZ JAMAIS L'APPAREIL DE CHAUFFAGE DANS UN LOCAL QUI CONTIENT OU RISQUE DE CONTENIR DES PARTICULES COMBUSTIBLES EN SUSPENSION DANS L'AIR OU DES PRODUITS TELS QUE DE L'ESSENCE, DES SOLVANTS, DU DILUANT À PEINTURE, DES PARTICULES DE POUSSIÈRE OU DES PRODUITS CHIMIQUES INCONNUS.

L'État de la Californie exige que l'avertissement suivant soit fourni :

AVERTISSEMENT: L'UTILISATION DE CET APPAREIL CRÉE DES SOUS-PRODUITS DE COMBUSTION CONTENANT DU MONOXYDE DE CARBONE, UN PRODUIT CHIMIQUE RECONNU PAR L'ÉTAT DE LA CALIFORNIE COMME CAUSE DE CANCER ET D'ANOMALIES CONGÉNITALES (OU AUTRES RISQUES POUR LA REPRODUCTION).

TABLE DES MATIÈRES

Spécifications.....	F-2
Précautions liées au fonctionnement	F-3
Précautions liées à la sécurité	F-3
Avertissement relatif aux substances odorantes	F-4
Instructions de fonctionnement	F-5
Entreposage et entretien	F-5
Instructions d'allumage	F-5
Schéma de câblage (Modèle n° 170 FAVT)	F-6
Liste des pièces (Modèle n° 170 FAVT).....	F-7
Plan détaillé (Modèle n° 170 FAVT).....	F-7
Schéma de câblage (Modèle n° 170 FAV)	F-8
Liste des pièces (Modèle n° 170 FAV)	F-9
Plan détaillé (Modèle n° 170 FAV).....	F-9

SPÉCIFICATIONS

MODÈLE N° 170FAVT
TYPE DE GAZ Propane
COTE BTU De 125 000 à 170 000 BTU/h
(de 36,6 à 49,8 kW)

PRESSION DE L'ALIMENTATION EN GAZ AU RÉGULATEUR

Maximum : Pression de la bonbonne **Minimum** : 34,5 kPa (5 lb/po²)

À LA SORTIE DU RÉGULATEUR 6,97 kPa (28 po WC)

CONSUMMATION ÉLECTRIQUE 115 V, 60 Hz, 1 Ø, 3 A
ALLUMAGE Par étincelle, type interrompu

COMMANDE DE LA FLAMME
Transistorisée, temporisation De 10 à 15 secondes

COMMANDE DE TEMPÉRATURE MAXIMALE 116 °C (240 °F)
Température ambiante min. évaluée à : -17,8 °C (0 °F)

CONSUMMATION DE GAZ De 2,6 à 3,6 kg/h
(de 5,8 à 7,9 lb/h)

NOMBRE D'ORIFICES DE COMBUSTIBLE : 18

DIMENSION DES ORIFICES : 0,80 MM FAVT
0,82 MM FAV

SORTIE D'AIR CHAUFFÉ : 12,74 M³/MIN. (450 PI³/MIN.)

PRÉCAUTIONS LIÉES AU FONCTIONNEMENT

Cet appareil de chauffage à air pulsé et à feu direct fonctionne au gaz propane. Il est destiné principalement à chauffer temporairement des édifices en construction, en rénovation ou en réparation.

Le gaz propane est plus lourd que l'air. Si du gaz propane fuit d'une connexion ou d'un raccord, il se dirige vers le plancher, se mélange avec l'air ambiant et forme un mélange potentiellement explosif. Évidemment, les fuites de gaz propane devraient être évitées; il est donc important de raccorder l'alimentation en propane avec le plus grand soin. Veuillez lire le feuillet « Substance odorante et gaz propane » ci-joint pour obtenir plus de précisions relatives à la détection des fuites de gaz propane. Vérifiez la présence de fuite aux nouvelles connexions et raccords en utilisant un mélange d'eau et de savon et suivez les instructions mentionnées. Obtenez également les conseils de votre détaillant quant à votre installation au propane et posez-lui toute question que vous auriez à cet égard.

Cet appareil a été conçu et homologué pour être utilisé comme appareil de chauffage pour chantier de construction, conformément à la norme Z83.7/CGA 2.14-2000 de l'ANSI. Soumettez à l'organisme local responsable de la sécurité et des incendies toute question relative à votre type d'installation. Selon le type d'application, d'autres normes peuvent s'appliquer et régir l'utilisation des produits de combustion, de gaz combustible et des appareils de chauffage. L'organisme local qui en est responsable saura vous conseiller à cet égard.

Le fonctionnement à feu direct de cet appareil signifie que tous les produits de combustion se retrouvent dans l'air ambiant. Même si l'efficacité de combustion de l'appareil de chauffage est presque complète, il produit quand même de petites quantités de monoxyde de carbone. Le monoxyde de carbone (appelé CO) est toxique. Notre organisme ne peut en supporter que de faibles quantités. Il est possible que le CO s'accumule dans le local à chauffer. Une ventilation inadéquate pourrait ainsi causer la mort.

Les symptômes ressentis en cas de ventilation inadéquate sont les suivants :

- mal de tête
- étourdissement
- sensation de brûlure au nez et aux yeux
- nausée
- mal de gorge ou bouche sèche

Assurez-vous donc de respecter les conseils au sujet de la ventilation mentionnés dans ces instructions.

Un appareil à air pulsé signifie que l'air est soufflé dans l'appareil de chauffage par un ventilateur. La qualité de la combustion dépend du débit d'air. Par conséquent, l'appareil de chauffage ne doit pas être modifié ni fonctionner si des pièces sont manquantes. Dans le même ordre d'idée, les systèmes de sécurité ne doivent pas être contournés ni modifiés pour faire fonctionner l'appareil.

Lorsque l'appareil de chauffage doit fonctionner en présence d'autres personnes, l'utilisateur est responsable d'informer ces dernières des instructions et précautions liées à la sécurité et de les avertir des dangers inhérents.

Figure 1

VENTILATION : Ouvertures minimales requises

Appareil de chauffage	Ouverture près du plancher	Ouverture près du plafond
Air pulsé (170 FAVT)	3 pi ²	3 pi ²

PRÉCAUTIONS LIÉES À LA SÉCURITÉ

1. Vérifiez attentivement si l'appareil de chauffage a subi des dommages. **NE FAITES PAS** fonctionner un appareil endommagé.
2. **NE MODIFIEZ PAS** l'appareil de chauffage et ne le faites pas fonctionner s'il n'est plus dans son état original.
3. Utilisez uniquement du gaz propane.
4. Utilisez uniquement une alimentation au propane à **ÉLIMINATION DES ÉMANATIONS**. Si vous avez des questions à propos de l'élimination des émanations, consultez votre détaillant de gaz propane.
5. Installez les bonbonnes de propane verticalement (robinet de fermeture vers le haut). Fixez-les comme il convient de sorte qu'ils ne puissent se décrocher accidentellement et protégez-les contre les dommages.
6. Placez les réservoirs de gaz propane à une distance minimale (aux États-Unis) de 2,13 m (7 pi) ou (au Canada) de 3 m (10 pi) de l'appareil de chauffage et **n'orientez pas** l'échappement directement vers les réservoirs.
7. **IMPORTANT** Utilisez uniquement le tuyau et le régulateur fourni avec l'appareil. Faites correspondre la bande de couleur de l'étiquette fixée au tuyau à la couleur de l'étiquette située près du raccord d'entrée de gaz propane sur l'appareil. Inspectez le tuyau avant chaque utilisation de l'appareil de chauffage. En cas d'abrasion, d'usure excessive ou de coupure, remplacez le tuyau par l'ensemble de tuyaux recommandé avant d'utiliser l'appareil de chauffage.
8. Pour utilisation intérieure seulement. La ventilation doit être adéquate. **Figure 1.** (voir également « Précautions liées au fonctionnement »).
9. Si une odeur de gaz est détectée, **ARRÊTEZ IMMÉDIATEMENT** l'appareil de chauffage jusqu'à ce que la source d'émission du gaz ait été localisée et colmatée. Veuillez lire le feuillet « Substance odorante et gaz propane » ci-joint pour obtenir plus de précisions relatives à la détection des fuites de gaz propane.
10. Installez l'appareil de chauffage de façon à ce qu'il ne soit pas exposé à l'eau.
11. Conservez un écart minimal entre l'appareil et tout matériel combustible (tel que du papier). **Figure 2.**
12. En raison des températures élevées de la surface et de l'échappement, les adultes et les enfants doivent respecter les distances de sécurité pour éviter des brûlures et l'inflammation des vêtements.
13. Utilisez uniquement sur des surfaces stables et de niveau.
14. N'utilisez pas l'appareil avec des conduits d'air. N'obstruez pas l'entrée et la sortie d'air.
15. N'utilisez qu'avec l'alimentation électrique spécifiée. Le raccordement électrique et la mise à la terre doivent être conformes au Code national de l'électricité - ANSI/NFPA 70 (aux États-Unis) - et à la norme CSA C22.1, partie 1 du Code canadien de l'électricité (au Canada).
16. N'utilisez qu'avec une prise ou une rallonge mise à la terre munie de trois broches.
17. Ne déplacez pas l'appareil, ne le touchez pas et n'essayez pas d'en faire l'entretien alors qu'il est chaud.
18. Vous ne devez jamais ajuster la hauteur du tube de combustion de l'appareil de chauffage lorsque l'appareil est chaud ou fonctionne. Les réglages de hauteur doivent être faits uniquement lorsque l'appareil n'est pas chaud au toucher.

Figure 2

ÉCART MINIMUM : entre l'appareil et tout matériel combustible.

Écart	Air pulsé 170 FAVT
Du plancher.....	0 pi
De la sortie.....	6 pi
Des côtés.....	2 pi
Du dessus.....	3 pi
Placez l'appareil à 3 m (10 pi) des toiles en tissu ou en plastique ou des revêtements similaires et fixez-les afin d'empêcher tout battement ou mouvement causé par le vent.	

AVERTISSEMENT RELATIF AUX SUBSTANCES ODORANTES

AVERTISSEMENT

Risque d'asphyxie

- Cet appareil ne doit pas être utilisé pour le chauffage de locaux où demeurent des gens.
- Ne l'utilisez pas dans des endroits non aérés.
- Le débit de chaleur et d'air de ventilation ne doit pas être obstrué.
- Le processus de combustion de cet appareil exige un apport adéquat en air de ventilation.
- Consultez la rubrique portant sur les spécifications techniques dans le manuel de l'appareil ou sur la plaque de données de l'appareil, ou communiquez avec le fabricant pour obtenir les renseignements relatifs aux exigences en apport d'air de ventilation pour la combustion.
- Le processus de combustion ne peut s'effectuer correctement si l'apport en air de ventilation est insuffisant.
- Une combustion inadéquate produit des émanations nocives de monoxyde de carbone pouvant entraîner des troubles de santé graves, voire mortels. Les symptômes d'empoisonnement au monoxyde de carbone sont les maux de tête, les étourdissements et la difficulté respiratoire.

ODEUR DU GAZ COMBUSTIBLE

Des additifs odorants ont été ajoutés au gaz propane liquéfié et au gaz naturel dans le but de faciliter la détection de fuites.

Vous devriez remarquer une odeur de gaz combustible s'il y a une fuite. Comme le gaz propane (liquéfié) est plus lourd que l'air, l'odeur de gaz se détecte plus facilement près du sol. TOUTE ODEUR DE GAZ EST UN SIGNAL QU'IL FAUT INTERVENIR IMMÉDIATEMENT!

- Ne prenez aucune mesure qui provoquerait l'allumage des vapeurs de gaz. N'utilisez aucun interrupteur électrique. Ne tirez sur aucune source d'alimentation électrique ou rallonge électrique. N'allumez pas d'allumettes ni aucune source de flamme. N'utilisez pas votre téléphone.
- Faites évacuer immédiatement toute personne se trouvant dans l'immeuble.
- Fermez tous les robinets d'alimentation du réservoir de gaz propane (liquéfié) ou de la bonbonne, ainsi que le robinet d'alimentation principale situé sur le compteur, si vous utilisez du gaz naturel.
- Le gaz propane (liquéfié) est plus lourd que l'air et peut s'accumuler dans les endroits près du sol. Si vous croyez qu'il y a une fuite de gaz propane, éloignez-vous des endroits plus bas.
- Utilisez le téléphone d'un voisin et communiquez avec votre fournisseur en gaz combustible et votre service d'incendies. Ne retournez pas dans l'immeuble ou dans le secteur.
- N'entrez pas dans l'immeuble et restez-en à l'écart jusqu'à ce que le personnel du service des incendies ou le fournisseur en gaz combustible ait confirmé que l'endroit ne comporte aucun risque.
- EN DERNIER LIEU, laissez le personnel du service des incendies ou d'approvisionnement en gaz combustible vérifier si du gaz s'échappe. Assurez-vous qu'ils aient aéré l'immeuble avant d'y retourner. Le personnel d'entretien expérimenté doit colmater toute fuite, vérifier la présence d'autres fuites, puis se charger d'allumer l'appareil pour vous.

SUBSTANCE ODORANTE AUCUNE ODEUR DÉCELÉE

- Certaines personnes ne détectent pas bien les odeurs. Il est donc possible que certaines personnes ne puissent sentir la substance odorante ajoutée au gaz propane (liquéfié) ou au gaz naturel. Vous devez savoir si vous arrivez à déceler l'odeur de cette substance dans le gaz combustible.
- Apprenez à reconnaître l'odeur du gaz propane et celle du

gaz naturel. Pour ce faire, les détaillants de gaz propane (liquéfié) locaux seront heureux de vous fournir un feuillet comprenant une pastille à humer. Servez-vous de cette pastille pour vous aider à reconnaître l'odeur de gaz combustible.

- Le tabagisme peut nuire à votre faculté olfactive. Votre facilité à déceler une odeur quelconque peut s'estomper si vous demeurez un certain temps dans un endroit où cette odeur est présente. La présence d'animaux dans des endroits clos peut aussi masquer l'odeur du gaz combustible.
- **La substance odorante contenue dans le gaz propane (liquéfié) et le gaz naturel est incolore et, selon certaines circonstances, son odeur pourrait s'estomper.**
- En cas de fuite souterraine, le déplacement du gaz dans le sol peut filtrer l'odeur.
- L'intensité de l'odeur du gaz propane (liquéfié) peut varier à différents niveaux. Étant donné que le gaz propane (liquéfié) est plus lourd que l'air, l'odeur peut être plus prononcée à des niveaux inférieurs.
- **Portez toujours attention à la moindre odeur de gaz.** Si une odeur de gaz persiste, même si elle est minime, agissez comme s'il s'agissait d'une fuite importante. Intervenez immédiatement tel que décrit précédemment.

ATTENTION - POINTS ESSENTIELS À RETENIR!

- Le gaz propane (liquéfié) dégage une odeur particulière. Apprenez à reconnaître cette odeur. Consultez les rubriques Odeur du gaz combustible et Substance odorante, ci-dessus.
- Même si vous n'avez pas été formé pour effectuer l'entretien et la réparation de l'appareil, soyez TOUJOURS attentif aux odeurs que dégagent le gaz propane (liquéfié) et le gaz naturel.
- Si vous n'êtes pas formé pour procéder à l'entretien et à la réparation des appareils au gaz propane (liquéfié), ne tentez pas d'allumer l'appareil, de le réparer ou de l'entretenir, ni d'apporter des réglages au système d'alimentation en gaz propane de l'appareil.
- Peu importe les conditions, une bonne pratique de sécurité consiste à sentir de temps à autre autour de l'appareil, des raccords, du tuyau et autres éléments. Si vous décelez la moindre odeur de gaz, COMMUNIQUEZ IMMÉDIATEMENT AVEC VOTRE FOURNISSEUR EN GAZ COMBUSTIBLE. N'ATTENDEZ PAS!

INSTRUCTIONS DE FONCTIONNEMENT

AVANT LE FONCTIONNEMENT

1. Vérifiez soigneusement tout dommage qu'aurait pu subir l'appareil de chauffage pendant l'expédition. Si vous en découvrez, avertissez immédiatement le fabricant.
2. Respectez toutes les « Précautions ».
3. Branchez le raccord POL (filet à gauche) du tuyau et du régulateur en tournant l'écrou POL en sens anti-horaire dans la sortie du robinet de la bonbonne de gaz propane, puis serrez-le avec une clé.
4. Raccordez le tuyau à l'appareil de chauffage en tournant le raccord dans le sens des aiguilles d'une montre.
5. Serrez fermement toutes les connexions de gaz.
6. Ouvrez le robinet de gaz de la bonbonne et vérifiez toutes les connexions au moyen d'un mélange d'eau et de savon. N'UTILISEZ PAS DE FLAMME.
7. Raccordez le cordon d'alimentation à une source d'alimentation électrique de 115 V, 60 Hz, 1 Ø, mise à la terre comme il se doit.
8. Lorsque vous utilisez une rallonge électrique, assurez-vous que celle-ci comporte trois fils (mis à la terre) de dimension appropriée.

170FAVT (AVEC LE THERMOSTAT)

DÉMARRAGE

1. Ouvrez lentement le robinet principal de la bonbonne de propane afin de prévenir la fermeture du clapet limiteur de débit.
2. Réglez le thermostat en position maximale. L'appareil de chauffage s'allumera automatiquement.
3. Réglez le clapet à bille sur le panneau de commande au taux de combustion désiré.
4. Réglez le thermostat à la température désirée. L'appareil de chauffage se mettra en fonction et s'arrêtera automatiquement selon les variations de température dans la zone chauffée.

ARRÊT

1. Fermez le robinet sur la bonbonne de gaz propane.
2. Laissez l'appareil fonctionner jusqu'à ce que tout le gaz dans le tuyau ait brûlé.
3. Tournez le thermostat de l'appareil de chauffage en position « off » (arrêt). Pour les arrêts prolongés ou dans les régions où la température est inférieure à -17,8 °C (0 °F), débranchez le cordon d'alimentation de l'appareil de chauffage.

170FAV (SANS THERMOSTAT)

DÉMARRAGE

1. Avant d'allumer l'appareil de chauffage, laissez toujours le ventilateur de l'appareil fonctionner pendant 20 secondes pour éliminer le gaz combustible.
2. Ouvrez lentement le robinet principal de la bouteille de propane.
3. Enfoncez le bouton du robinet de gaz pour allumer les modèle 170FAV.
4. Une fois le brûleur allumé, gardez le bouton du robinet de gaz enfoncé pendant 15 secondes avant de le relâcher, et l'appareil de chauffage restera en fonction.
5. Réglez le taux de combustion avec le clapet à bille au réglage souhaité.
6. L'allumeur fonctionne tant que le cordon d'alimentation est branché
 - a) L'allumeur est continuellement en marche
7. Aucun thermostat n'est disponible pour ces unités.

ARRÊT

1. Fermez le robinet sur la bonbonne de gaz propane.
2. Laissez l'appareil fonctionner jusqu'à ce que tout le gaz dans le tuyau ait brûlé.
3. Débranchez le cordon d'alimentation.

REDÉMARRAGE APRÈS UN ARRÊT D'URGENCE

1. Fermez complètement le robinet sur la bonbonne de gaz propane. Débranchez l'appareil de chauffage.
2. Attendez cinq minutes.
3. Recommencez la procédure « DÉMARRAGE ».

ENTRETIEN ET ENTREPOSAGE

1. L'appareil de chauffage doit être vérifié avant chaque utilisation et au moins une fois par année, par un technicien qualifié.
2. Avant chaque utilisation, vérifiez l'assise du joint torique souple à la partie arrondie du raccord POL (filet à gauche). Si le joint torique est coupé, usé ou endommagé de quelque façon, remplacez-le par la pièce n° 6681.
3. Coupez l'alimentation en gaz propane liquéfié quand l'appareil n'est pas utilisé.
4. Quand l'appareil de chauffage est rangé à l'intérieur, la connexion entre la bonbonne d'alimentation en gaz propane liquéfié et l'appareil doit être débranchée et la bonbonne doit être retirée de l'appareil et rangée à l'extérieur, tel que précisé au chapitre 5 de la norme relative au rangement et à la manutention des produits de pétrole liquéfiés ANSI/NFPA 58 et CSA B149.1 du Code d'installation du gaz naturel et du gaz propane.

ENTREPOSAGE

Un appareil de chauffage qui a été modifié ou qui ne fonctionne pas correctement risque d'être une cause de dangers.

- La flamme reste dans l'appareil de chauffage.
- La flamme a une teinte bleue avec des pointes de couleur jaune.
- Il n'y a pas de forte odeur désagréable, ni de sensation de brûlure aux yeux, ni de malaise physique en général.
- Il n'y a pas de production de fumée ou de suie à l'intérieur ou à l'extérieur de l'appareil de chauffage.
- Il ne se produit pas d'arrêts imprévus ou inexpliqués de l'appareil.

La liste des pièces et le schéma de câblage présentent l'appareil de chauffage tel qu'il a été construit. N'utilisez pas un appareil de chauffage qui diffère de ce qui est illustré. N'utilisez à cet effet que le tuyau flexible, le régulateur et le raccord de bonbonne (appelé raccord POL) fournie avec l'appareil de chauffage. **IMPORTANT** Faire correspondre la bande de couleur de l'étiquette fixée au tuyau à la couleur de l'étiquette située près du raccord d'entrée de gaz propane. N'utilisez aucun élément de substitution. Sur cet appareil de chauffage, le régulateur doit être réglé tel qu'indiqué à la rubrique « Spécifications ». Si vous avez un doute au sujet du réglage du régulateur, faites-le vérifier.

Les produits couverts par la garantie seront réparés sans frais, pièces et main-d'œuvre comprises. Veuillez joindre une courte description de la nature du problème avec la date, le lieu et la preuve d'achat.

Si un appareil de chauffage ne fonctionne pas correctement, il doit être réparé, mais seulement par un technicien formé et expérimenté.

Les produits couverts par la garantie seront réparés sans frais, pièces et main-d'œuvre comprises. Veuillez joindre une courte description de la nature du problème avec la date, le lieu et la preuve d'achat.

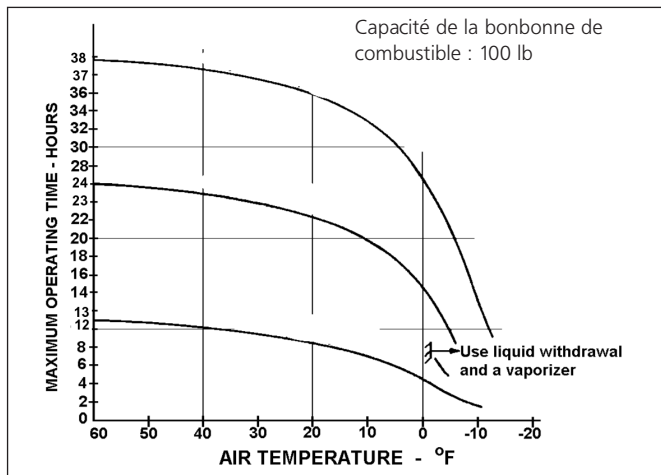
Les produits non couverts par la garantie seront réparés aux frais (pièces et main-d'œuvre) du client.

DIMENSIONS ET CONTENANCES DES BONBONNES DE GAZ PROPANE

Les tableaux ci-dessous présentent la dimension approximative de la bonbonne requise pour ces appareils de chauffage. Pour utiliser le tableau :

1. Sélectionnez la température de l'air la plus basse prévue (au bas du tableau).
2. Déplacez-vous en ligne droite vers le haut jusqu'au temps de fonctionnement souhaité (côté gauche du tableau).
3. Notez la dimension de la bonbonne requise.

Tous les appareils de chauffage doivent disposer de bonbonnes pleines, d'une circulation d'air adéquate et ne pas présenter de givre.



DE QUELLE QUANTITÉ DE CHALEUR AIS-JE BESOIN?

Pour des raisons d'économie, il est important que le rendement corresponde aux besoins. Mais les besoins en matière de chaleur varient souvent. Par exemple, beaucoup de chaleur est habituellement requise pour réchauffer des objets que pour les conserver au chaud. Dans le même ordre d'idées, la température de l'air extérieur augmente habituellement durant la journée; la demande en chaleur est donc plus grande durant la nuit que durant la journée. Une approximation de la chaleur requise peut être établie à l'aide du tableau ci-dessous.

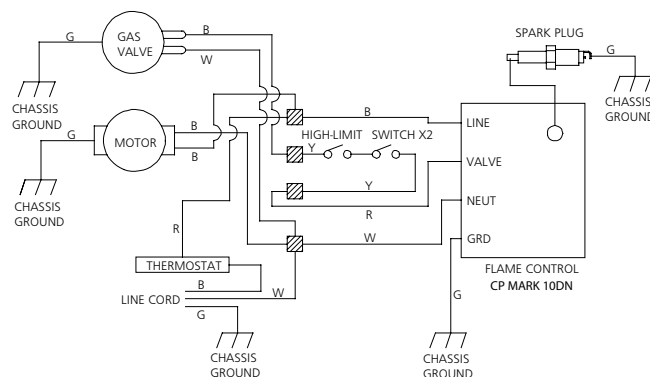
BTU PAR HEURE REQUIS				
Pieds cubes (°C/°F)* d'espace à chauffé	Élévation de température requise			
	-6,6 °C (20 °F)	1,0 °C (30 °F)	4,4 °C (40 °F)	10 °C (50 °F)
	5 000	14 000	20 000	27 999
7 000	19 000	28 000	38 000	47 000
10 000	27 000	40 000	54 000	67 000
15 000	40 000	60 000	80 000	100 000
20 000	54 000	80 000	107 000	133 000
30 000	80 000	120 000	160 000	200 000
50 000	133 000	200 000	266 000	333 000

AVERTISSEMENT : Lors de l'utilisation d'un appareil de chauffage contrôlé par thermostat, sa zone d'échappement doit être protégée et des avertissements de démarrage soudain doivent être affichés à l'intention du personnel.

Calibre minimum recommandé pour rallonges

Plaque d'identification 120 V A	Tableau de calibre de câble AWG			
	Longueur de la rallonge en pieds 25	50	100	150
5-6	18	16	14	12
6-8	18	16	12	10
8-12	18	14	12	10
10-12	16	14	10	8
12-14	16	12	10	8

SCHÉMA DE CÂBLAGE Modèle n° 170 FAVT



COLOR CODE

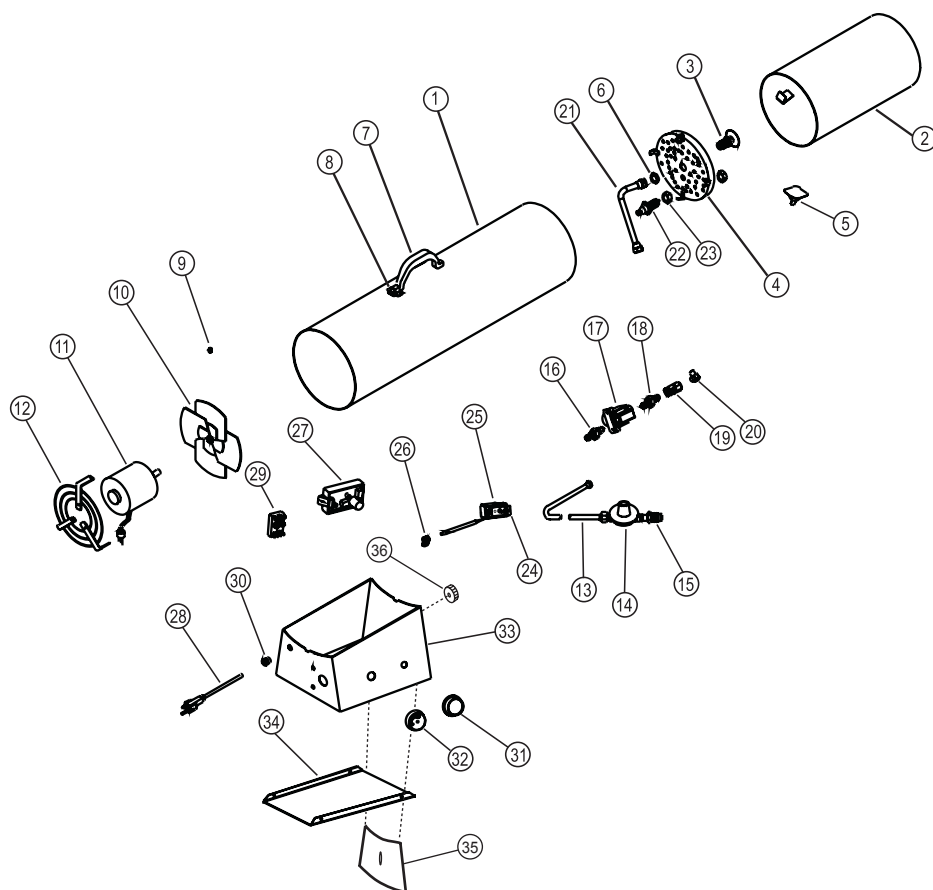
B - BLACK
L - BLUE
G - GREEN
O - ORANGE
R - RED
W - WHITE

Si du câblage d'origine fourni avec l'appareil de chauffage doit être remplacé, il faut utiliser du câblage de type AWG 105 °C ou un équivalent, à moins d'indication contraire. (*type SF2-200, **SGI 250 °C).

170FAVT - SCHÉMA DE CÂBLAGE

COULEUR	LONGUEUR	DE	À
Blanc	18 cm (7 po)	Robinet	Bloc de raccordement
Noir	15 cm (6 po)	Interrupteur	Bloc de raccordement
Rouge (Haute température)	42 cm (16,5po)	Interrupteur commande max.	Robinet
Rouge (Haute température)	42 cm (16,5po)	Interrupteur commande max	Bloc de raccordement
Orange	28 cm (11 po)	Commande de la flamme	Bougie d'allumage (Allumage)
Vert	18 cm (7 po)	Commande de la flamme (Faisceau)	Ground
Rouge	18 cm (7 po)	Commande de la flamme (Faisceau)	Bloc de raccordement
Blanc	15 cm (6 po)	Commande de la flamme (Faisceau)	Bloc de raccordement
Noir	15 cm (6 po)	Commande de la flamme (Faisceau)	Bloc de raccordement

Modèle n° 170FAVT (avec la thermostat) LISTE DES PIÈCES

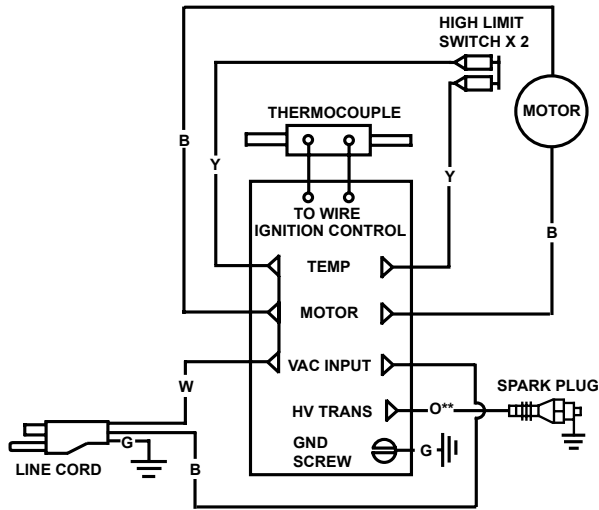


Article	N° ART.	Description	Qté	Article	N° ART.	Description	Qté
1	21732	Boîtier extérieur - Modèle MH, HS	1	25	22254	Thermostat	1
2	21737	Boîtier extérieur - Modèle PA	1	26	26070	Support de collier, 5/16	1
2	22249	Bonbonne central	1	27	27808	Commande de la flamme, encapsulée	1
3	22250	Orifice	1	28	21036	Cordon d'alimentation	1
4	21146	Stabilisateur de flamme	1	29	28771	Panneau de raccordement	1
5	26168	Interrupteur de commande max.	1	30	26223	Réducteur de tension de la bague	1
6	23038	Écrou de l'orifice	1	31	28772	Bouton, thermostat	1
7	27095	Poignée	1	32	28773	Bouton, réglage du taux de combustion	1
8	27094	Clips de montage de la poignée	2	33	22255	Boîtier de commande	1
9	26010	Vis de réglage, Nyloc	1	34	22273	Base, boîtier de commande	1
10	26074	Ventilateur	1	35	22274	Plaque de soulèvement	1
11	22251	Moteur	1	36	22275	Bouton de soulèvement	1
12	22252	Grille, montage d'admission/du moteur	1	*	26375	Étiquette, réglage de hauteur	1
13	26152	Tuyau	1	*	28769	Étiquette, Précautions liées à la sécurité	1
*	26152-20	Tuyau, 20' (HS seulement)	1	*	28755	Étiquette, Avertissement général de danger	1
14	26257	Régulateur, 71 cm (28 po) WC	1	*	28733	Étiquette, Modèle	1
15	26433	Clapet limiteur de débit POL	1	*	28731	Étiquette, Instructions de fonctionnement	1
16	26122	Raccord de connexion mâle 3/8 filetage gaz x 3/8SAE FLR	1	*	26410	Étiquette, Avertissement relatif au thermostat	1
17	26101	Électrorobinet, Goyen	1	*	27704	Étiquette, Avertissement pour le Massachusetts	1
18	28775	Raccord étroit	1	1			
19	28777	Soupape de réglage du taux de combustion	1	*	26374	Étiquette, Avertissement relatif à l'électricité	1
20	28776	Raccord, coude 3/8 filetage gaz x 1/2 SAE FLR	1	*	27789	Étiquette, Schéma de câblage	1
21	22253	Canalisation du combustible	1	*	28203	Étiquette, Étiquette	1
22	28774	Bougie d'allumage, détecteur de flamme	1	*	28679	Étiquette, 170 000 BTU	1
23	23037	Écrou de bougie d'allumage	1	*	70176	Manuel, Instructions de fonctionnement	1
24	24340	Support de montage du thermostat	1	*	26225	Bague pression, 5/8	2

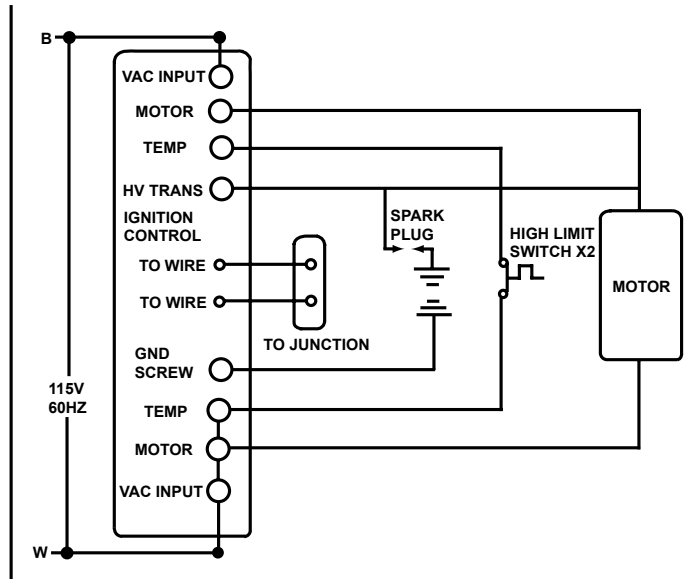
* Élément non illustré sur le plan détaillé

SCHÉMA DE CÂBLAGE (sans thermostat) Modèle n° 170 FAV

CONNECTION DIAGRAM



SCHEMATIC DIAGRAM



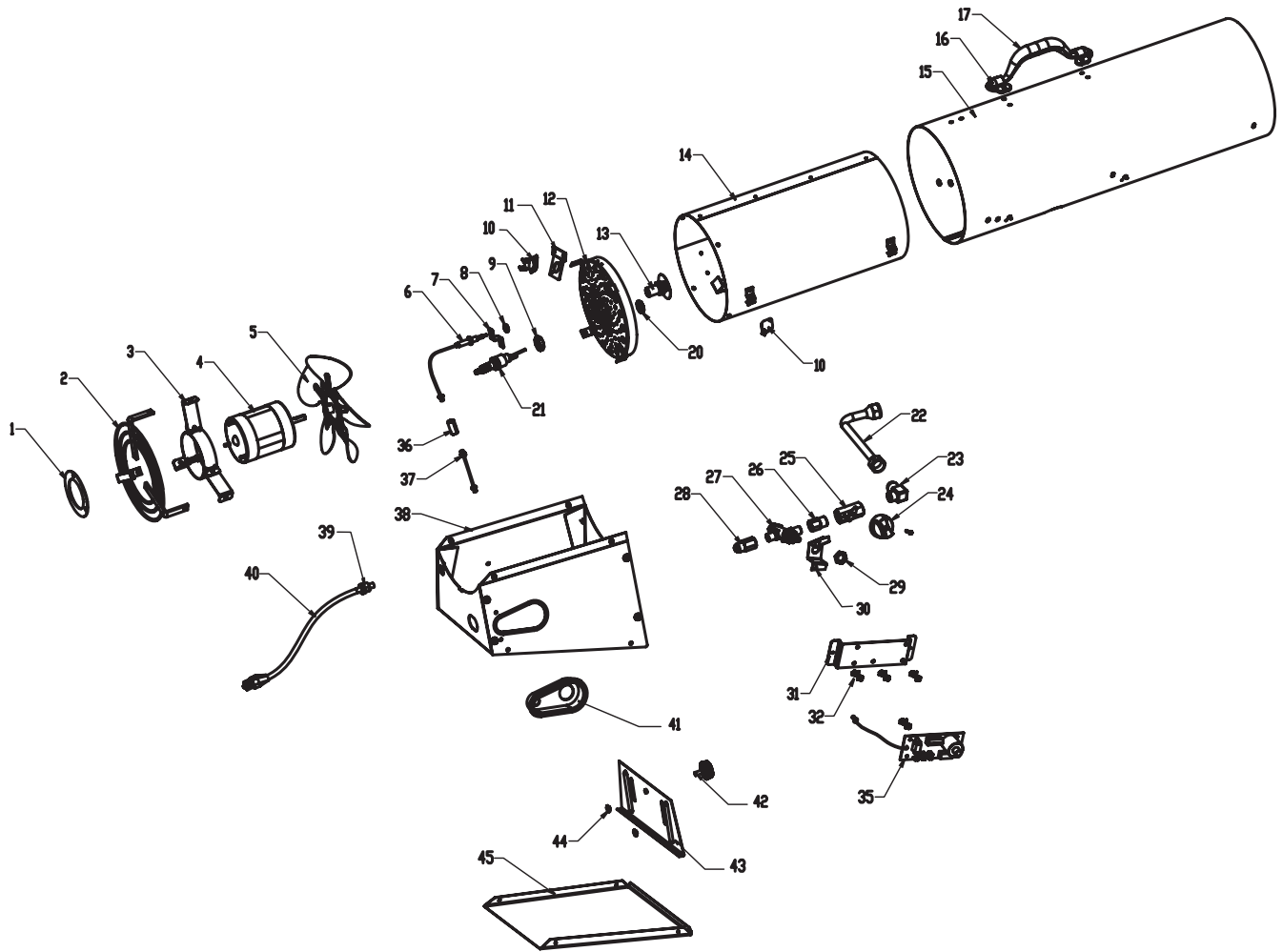
COLOR CODE		LEGEND	
B	BLACK	R	RED
W	WHITE	Y	YEL
G	GREEN	O	ORG
			FEMALE CONN.
			RING CONN.

NOTE: If any original wiring as supplied with the heater, must be replaced, It must be replaced with Type AWG 105° C wire or its equivalent, except as indicated (Type SF 2.200, **SGI-250° C)

WIRING CHART (Wire: Type AWG 150° C or equivalent (Type SF2-200, **SGI-250° C))

Color	Length	From	To
Yellow	18" (406mm)	High Limit	Ignition Control Temp. Terminal
Yellow	18" (406mm)	High Limit	Ignition Control Temp Terminal

Modèle n° 170FAV (sans thermostat) LISTE DES PIÈCES



RÉF. N°	N° ART.	DESCRIPTION	QTÉ	RÉF. N°	N° ART.	DESCRIPTION	QTÉ
1	21898	Anneau de Soutien Moteur	1	30	21907	Parenthèse, Mont de ThermoValve	1
2	22252	Le grill, l'Arrivée/Moteur Montante	1	31	23045	Parenthèse, Ignition/Équipe de relais	1
3	21899	Soutien, Stabilizer Moteur	1	32	26079	Entretoise, Impasse	4
4	22251	Moteur	1	35	23276	Module d'Ignition/Équipe de relais	1
5	26074	Ventilateur	1	36	26134	Bloc de Compression, Équipe de relais	1
6	26655	Thermocouple 10" Lg avec JB	1	37	26656	Thermocouple, Connecteur	1
7	23036	Support thermocouple	1	38	21908	Assemblage de Boîte de Contrôle	1
8	21900	Noix, Thermocouple	1	39	26223	Relief d'Effort Bushing	1
9	23038	Noix, Orifice	1	40	21036	Assemblage de Corde de Pouvoir	1
10	26168	Haut Changement de Limite	2	41	21912	La couverture, la Tasse, la Valve	1
11	21901	La parenthèse, Limitez haut le Changement	1	42	25026	Bouton, Élévation	1
12	21146	Assemblage de Détenteur de Flamme	1	43	22274	Plaque, Élévation	1
13	21902	Assemblage d'Orifice	1	44	21909	Noix, Retenue de Plaque d'Élévation	2
14	22249	Assemblage de Cylindre du Milieu	1	45	22273	Base, Boîte de Contrôle	1
15	21737	Shell extérieur TS	1	*	26375	Étiquette, Ajustage d'Élévation	1
16	27095	Les clips, la Poignée Montante	2	*	28769	Étiquette, Précautions de Sécurité	1
17	27094	Poignée, Plastique	1	*	28755	Étiquette, général Hazard Warning	1
20	23037	Noix, Bougie	1	*	28733	Étiquette, Modèle	1
21	28774	Bougie / Détecteur de Flamme	1	*	28784	L'étiquette, en Faisant marcher des Instructions	1
22	21903	Assemblage de Tube de Flamme	1	*	27704	L'étiquette, l'Avertissement de Massachusetts	1
23	28776	Coude, Tube de Flamme	1	*	26374	Étiquette, Bases Électriques	1
24	25027	Bouton, Taux Variable	1	*	21910	Étiquette, Schéma de connexions	1
25	28777	Valve, Taux Variable	1	*	28203	L'étiquette, Suspendez l'Étiquette	1
26	21905	Essayage au Connecteur	1	*	26373	Étiquette, Rotation de Fan	1
27	27285	Valve, Thermoélectrique	1	*	27709	Étiquette, Bouton du Combustible	1
28	26127	Essayage au Connecteur Mâle	1	*	70176	Le manuel, en Faisant marcher des Instructions	1
29	21906	Noix, Provision de Valve de TE	1	*	26225	Craquez Bushings, 5/8"	2

GUIDE D'UTILISATION ET INSTRUCTIONS DE FONCTIONNEMENT

MR. HEATER

MODÈLE

MH170FAVT
(avec le thermostat)
TS170FAV
(sans thermostat)

LISEZ SOIGNEUSEMENT LES INSTRUCTIONS :

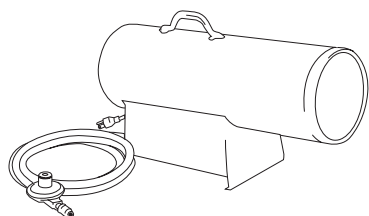
Lisez et observez toutes les instructions. Conservez les instructions en sécurité pour vous y référer ultérieurement. Interdisez à quiconque n'ayant pas lu les présentes instructions d'assembler, d'allumer, de régler ou de faire fonctionner cet appareil de chauffage.

HEATSTAR

MODÈLE

HS170FAVT

Modèle	Commencement du Numéro de série
MH170FAVT	LN-2701700001001
HS170FAVT	LN-1701700001001
PA170FAVT	LN-2220630001001



AVERTISSEMENT :

N'UTILISEZ QUE LES PIÈCES DE REMPLACEMENT DU FABRICANT. L'UTILISATION D'AUTRES PIÈCES RISQUE DE CAUSER DES BLESSURES ET LA MORT. LES PIÈCES DE REMPLACEMENT NE SONT OFFERTES QUE PAR LE FABRICANT ET DOIVENT ÊTRE INSTALLÉES PAR UNE ENTREPRISE SPÉCIALISÉE. LES TUYAUX NUMÉROS F273701 ET 273702, AINSI QUE LE FILTRE À COMBUSTIBLE JETABLE F273699 (À REMPLACER ANNUELLEMENT) DE MR. HEATER SONT SPÉCIALEMENT CONÇUS POUR CET APPAREIL DE CHAUFFAGE.

INFORMATION SUR LA COMMANDE DE PIÈCES :

ACHAT : Il est possible d'acheter les accessoires chez tous les détaillants Mr. Heater ou directement du fabricant.

POUR OBTENIR DES INFORMATIONS SUR LE SERVICE

Appelez sans frais au 800-251-0001
www.mrheater.com

Nos heures de bureau sont de 8 h 30 à 17 h HE, du lundi au vendredi.

Veillez indiquer le numéro du modèle, la date d'achat et la description du problème dans toutes vos communications avec nous.

GARANTIE LIMITÉE

Mr. Heater Group Inc. garantit ses appareils de chauffage et ses accessoires contre les défauts de matériel et de main-d'œuvre pour une période de un an à partir de la date d'achat. Mr. Heater Group Inc. réparera ou remplacera ce produit sans frais s'il est démontré qu'il est devenu défectueux pendant la période de un an et qu'il est retourné à Mr. Heater Group Inc. aux frais de l'acheteur avec une preuve d'achat, au cours de la période de garantie.

Mr. Heater Group Inc. se réserve le droit d'effectuer des modifications en tout temps, sans préavis ni obligation, aux couleurs, aux spécifications, aux accessoires, aux matériaux et aux modèles.

Mr. Heater GROUP, INC., 4560 W. 160TH ST., CLEVELAND, OHIO 44135 É.-U. • (216) 881-5500
Heater est une marque de commerce déposée d'Mr. Heater Group Inc.
© 2009, Mr. Heater Group Inc. Tous droits réservés.



ANSI Z83.7a/CGA 2.14a-2007



Free Manuals Download Website

<http://myh66.com>

<http://usermanuals.us>

<http://www.somanuals.com>

<http://www.4manuals.cc>

<http://www.manual-lib.com>

<http://www.404manual.com>

<http://www.luxmanual.com>

<http://aubethermostatmanual.com>

Golf course search by state

<http://golfingnear.com>

Email search by domain

<http://emailbydomain.com>

Auto manuals search

<http://auto.somanuals.com>

TV manuals search

<http://tv.somanuals.com>