

# PARTS MANUAL



***WHITEMAN* SERIES**

**MODEL WPB16**

**(RECOIL START)**

**MODEL WPB16E**

**(ELECTRIC START)**

**POWER BUGGY**

Revision #10 (09/28/09)

To find the latest revision of this  
publication, visit our website at:  
[www.multiquip.com](http://www.multiquip.com)



**THIS MANUAL MUST ACCOMPANY THE EQUIPMENT AT ALL TIMES.**



**CALIFORNIA — Proposition 65 Warning**

Engine exhaust and some of its constituents, and some dust created by power sanding, sawing, grinding, drilling and other construction activities contains chemicals known to the State of California to cause cancer, birth defects and other reproductive harm. Some examples of these chemicals are:

- Lead from lead-based paints.
- Crystalline silica from bricks.
- Cement and other masonry products.
- Arsenic and chromium from chemically treated lumber.

Your risk from these exposures varies, depending on how often you do this type of work. To reduce your exposure to these chemicals: **ALWAYS** work in a well ventilated area, and work with approved safety equipment, such as dust masks that are specially designed to filter out microscopic particles.



**MQ-WHITEMAN  
WPB-16 / WPB-16E  
POWER BUGGY**

Here's How To Get Help ..... 3  
Table Of Contents ..... 4  
Parts Ordering Procedures ..... 5  
Explanation Of Codes In Remarks Column ..... 6  
Suggested Spare Parts ..... 7

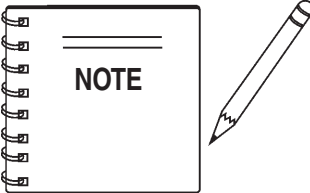
**COMPONENT DRAWINGS**

Nameplate and Decals ..... 8-9  
Hydraulic Drive Assembly ..... 10-11  
Hydraulic Pump Assembly ..... 12-13  
Hydraulic Dump Assembly ..... 14-15  
Pump And Coupling Assembly ..... 16-17  
Tub Assembly ..... 18-19  
Panel Assembly ..... 20-21  
Brake Assembly ..... 22-23  
Steering Assembly ..... 24-25  
Chassis Assembly ..... 26-27  
Dump Pedal And Handle Assembly ..... 28-29  
Hydraulic Oil Tank Assembly ..... 30-31  
Battery Assembly (Electric Start) ..... 32-33  
Fuel Tank Assembly ..... 34-35

**HONDA GX390K1QA2/QAE2  
GASOLINE ENGINES**

Air Cleaner Assembly ..... 36-37  
Camshaft Assembly ..... 38-39  
Piston Assembly ..... 40-41  
Crankcase Cover Assembly ..... 42-43  
Crankshaft Assembly ..... 44-45  
Cylinder Barrel Assembly ..... 46-47  
Cylinder Head ..... 48-49  
Fan Cover Assembly ..... 50-51  
Flywheel Assembly ..... 52-53  
Ignition Coil Assembly ..... 54-55  
Carburetor Assembly ..... 56-57  
Muffler Assembly ..... 58-59  
Recoil Starter Assembly ..... 60-61  
Starter Motor Assembly (Electric Start) ..... 62-63  
Control Box Assembly (Electric Start) ..... 64-65  
Control Assembly ..... 66-67  
Gasket Assembly ..... 68-69  
Labels Assembly ..... 70-71

Terms and Conditions of Sale — Parts ..... 72



Specification and part number are subject to change without notice.

# PARTS ORDERING PROCEDURES

## Ordering parts has never been easier! Choose from three easy options:

Effective:  
January 1<sup>st</sup>, 2006

www.multiquip.com



### Order via Internet (Dealers Only):

Order parts on-line using Multiquip's SmartEquip website!

- View Parts Diagrams
- Order Parts
- Print Specification Information



If you have an MQ Account, to obtain a Username and Password, E-mail us at: [parts@multiquip.com](mailto:parts@multiquip.com).

To obtain an MQ Account, contact your District Sales Manager for more information.

Goto [www.multiquip.com](http://www.multiquip.com) and click on **Order Parts** to log in and save!

Use the **internet** and qualify for a **5% Discount** on **Standard orders** for all orders which include complete part numbers.\*

Note: Discounts Are Subject To Change



### Order via Fax (Dealers Only):

All customers are welcome to order parts via Fax.

**Domestic (US) Customers dial:**  
1-800-6-PARTS-7 (800-672-7877)

**Fax** your order in and qualify for a **2% Discount** on **Standard orders** for all orders which include complete part numbers.\*

Note: Discounts Are Subject To Change



**Order via Phone: Domestic (US) Dealers Call:**  
1-800-427-1244

### Non-Dealer Customers:

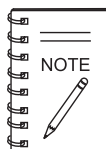
Contact your local Multiquip Dealer for parts or call 800-427-1244 for help in locating a dealer near you.



**International Customers** should contact their local Multiquip Representatives for Parts Ordering information.

## When ordering parts, please supply:

- |   |  |
|---|--|
| <input type="checkbox"/> Dealer Account Number                                | <input type="checkbox"/> Specify Preferred Method of Shipment: |
| <input type="checkbox"/> Dealer Name and Address                              | ✓ UPS/Fed Ex                      ✓ DHL                        |
| <input type="checkbox"/> Shipping Address (if different than billing address) | ■ Priority One                      ✓ Truck                    |
| <input type="checkbox"/> Return Fax Number                                    | ■ Ground   |
| <input type="checkbox"/> Applicable Model Number                              | ■ Next Day   |
| <input type="checkbox"/> Quantity, Part Number and Description of Each Part   | ■ Second/Third Day   |



All orders are treated as *Standard Orders* and will ship the same day if received prior to 3PM PST.

WE ACCEPT ALL MAJOR CREDIT CARDS!



# WPB-16 — EXPLANATION OF CODE IN REMARKS COLUMN

The following section explains the different symbols and remarks used in the Parts section of this manual. Use the help numbers found on the back page of the manual if there are any questions.

The contents and part numbers listed in the parts section are subject to change **without notice**. Multiquip does not guarantee the availability of the parts listed.

Sample Parts List:

NO.	PART NO.	PART NAME	QTY.	REMARKS
1	12345	BOLT .....	1	INCLUDES ITEMS W/*
2*		WASHER, 1/4 IN. ....		NOT SOLD SEPARATELY
2*	12347	WASHER, 3/8 IN. ... 1		MQ-45T ONLY
3	12348	HOSE .....	A/R	MAKE LOCALLY
4	12349	BEARING .....	1	S/N 2345B AND ABOVE

## NO. Column

**Unique Symbols** - All items with same unique symbol (\*, #, +, %, or >) in the number column belong to the same assembly or kit, which is indicated by a note in the "Remarks" column.

**Duplicate Item Numbers** - Duplicate numbers indicate multiple part numbers are in effect for the same general item, such as different size saw blade guards in use or a part that has been updated on newer versions of the same machine.



When ordering a part that has more than one item number listed, check the remarks column for help in determining the proper part to order.

## PART NO. Column

**Numbers Used** - Part numbers can be indicated by a number, a blank entry, or TBD.

TBD (To Be Determined) is generally used to show a part that has not been assigned a formal part number at time of publication.

A blank entry generally indicates that the item is not sold separately or is not sold by Multiquip. Other entries will be clarified in the "Remarks" Column.

## QTY. Column

**Numbers Used** - Item quantity can be indicated by a number, a blank entry, or A/R.

A/R (As Required) is generally used for hoses or other parts that are sold in bulk and cut to length.

A blank entry generally indicates that the item is not sold separately. Other entries will be clarified in the "Remarks" Column.

## REMARKS Column

Some of the most common notes found in the "Remarks" Column are listed below. Other additional notes needed to describe the item can also be shown.

**Assembly/Kit** - All items on the parts list with the same unique symbol will be included when this item is purchased.

Indicated by:  
"INCLUDES ITEMS W/(unique symbol)"

**Serial Number Break** - Used to list an effective serial number range where a particular part is used.

Indicated by:  
"S/N XXXXX AND BELOW"  
"S/N XXXX AND ABOVE"  
"S/N XXXX TO S/N XXXX"

**Specific Model Number Use** - Indicates that the part is used only with the specific model number or model number variant listed. It can also be used to show a part is NOT used on a specific model or model number variant.

Indicated by:  
"XXXXX ONLY"  
"NOT USED ON XXXX"

**"Make/Obtain Locally"** - Indicates that the part can be purchased at any hardware shop or made out of available items. Examples include battery cables, shims, and certain washers and nuts.

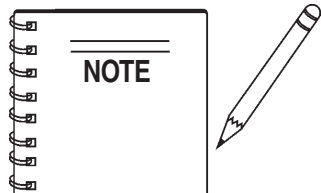
**"Not Sold Separately"** - Indicates that an item cannot be purchased as a separate item and is either part of an assembly/kit that can be purchased, or is not available for sale through Multiquip.

# WPB-16 POWER BUGGY — SUGGESTED SPARE PARTS

## WPB-16 POWER BUGGY

*1 to 3 Units*

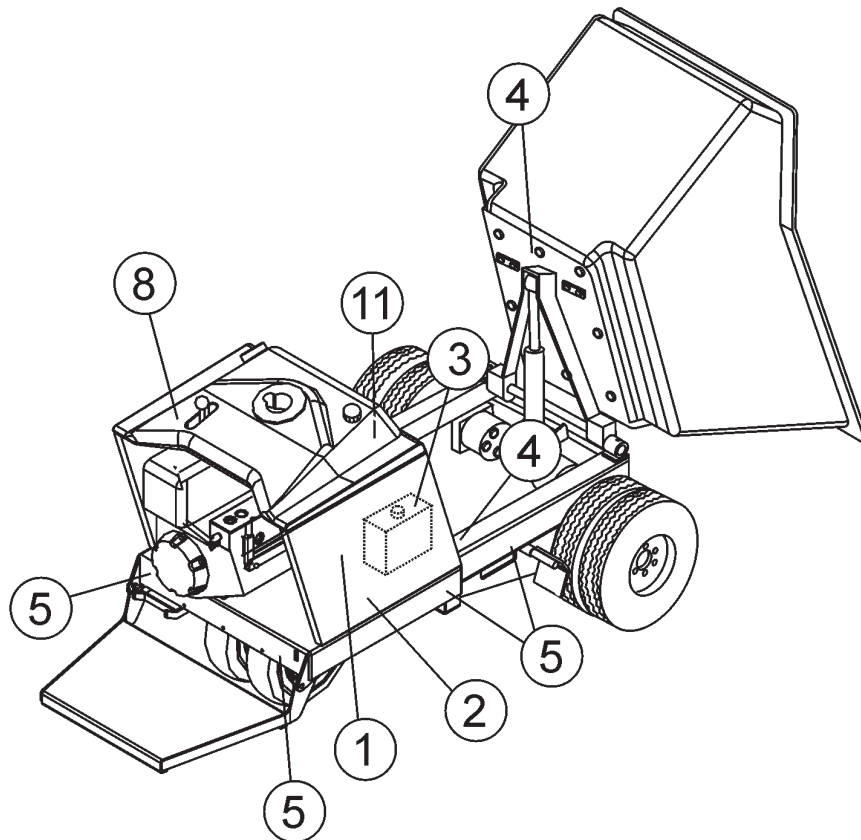
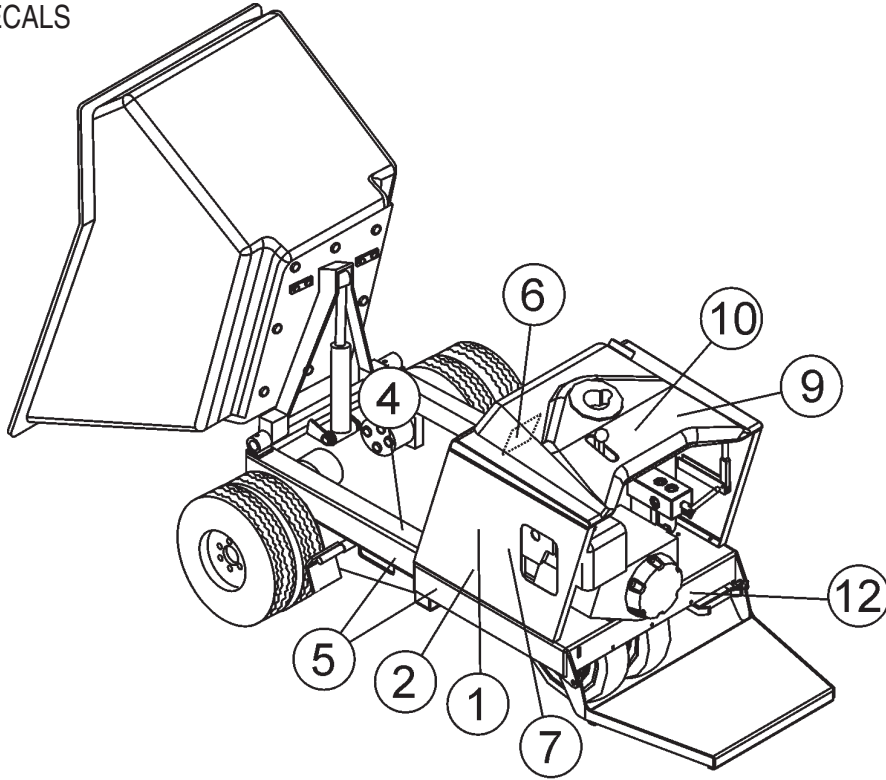
<u>QTY.</u>	<u>PART NO.</u>	<u>DESCRIPTION</u>
1 .....	508667 .....	FILTER, HYDRAULIC OIL
1 .....	18113 .....	CAP, HYDRAULIC OIL TANK
1 .....	18035 .....	PUMP, HYDROSTATIC
1 .....	511719 .....	COUPLING, ENGINE SHAFT
2 .....	18316 .....	LINING, BRAKE
1 .....	18145 .....	ROD, BRAKE CONTROL
1 .....	18166 .....	CAP, FUEL
5 .....	20763 .....	FILTER, IN-LINE FUEL
1 .....	18025 .....	SWITCH, KILL
1 .....	18133 .....	CABLE, THROTTLE
1 .....	18132 .....	LEVER, THROTTLE
1 .....	18029 .....	WHEEL, DRIVE
1 .....	18049 .....	WHEEL, STEERING
1 .....	18016 .....	CABLE, PARKING BRAKE
3 .....	9807956846 .....	SPARK PLUGS
3 .....	35111880003 .....	KEY, IGNITION (ELECTRIC START ONLY)
1 .....	284627V7003 .....	ROPE (RECOIL STARTER ONLY)
3 .....	17210ZE3505 .....	ELEMENT, AIR CLEANER
2 .....	17218ZE3505 .....	FILTER, OUTER



The contents of this parts catalog are subject to change without notice.

# WPB-16 POWER BUGGY — NAMEPLATE AND DECALS

## NAMEPLATE AND DECALS





# WPB-16 POWER BUGGY — NAMEPLATE AND DECALS

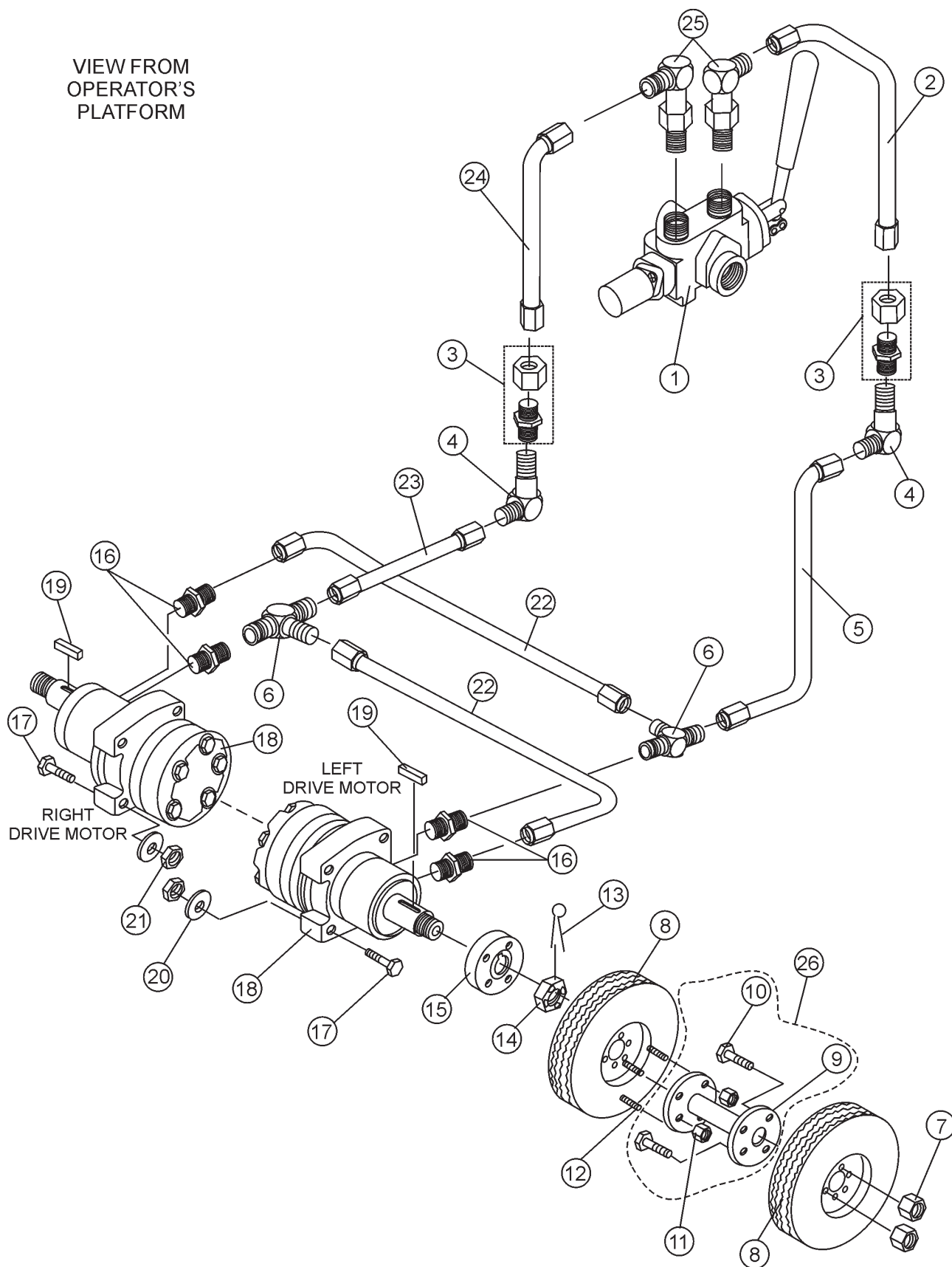
## NAMEPLATE AND DECALS

<u>NO.</u>	<u>PART NO.</u>	<u>PART NAME</u>	<u>QTY.</u>	<u>REMARKS</u>
1	18252	DECAL, WPB-16	2	
1	TBD	DECAL, WPB-16E	2	
2	18251	DECAL, MQ WHITEMAN	2	
3	EM985	DECAL, HYDRAULIC OIL	1	
4	513608	DECAL, LIFTING HOOK	3	
5	18245	DECAL, FORKLIFT LIFTING	6	
6	18247	DECAL, CRUSH WARNING	1	
7	18248	DECAL, HOT SURFACE WARNING	1	
8	18213	DECAL, BUCKET DUMP LEVER	1	
9	18214	DECAL, TRAVEL LEVER DIRECTION	1	
10	18195	DECAL, WHITEMAN SAFTEY INSTRUCTIONS	1	
11	18225	DECAL, GASOLINE ONLY	1	
12	513524	PLATE, SERIAL NUMBER.....	1	..... CONTACT MULTIQUIP PARTS ..... DEPT.

# WPB-16 POWER BUGGY — HYDRAULIC DRIVE ASSY.

HYDRAULIC DRIVE ASSY.

VIEW FROM  
OPERATOR'S  
PLATFORM



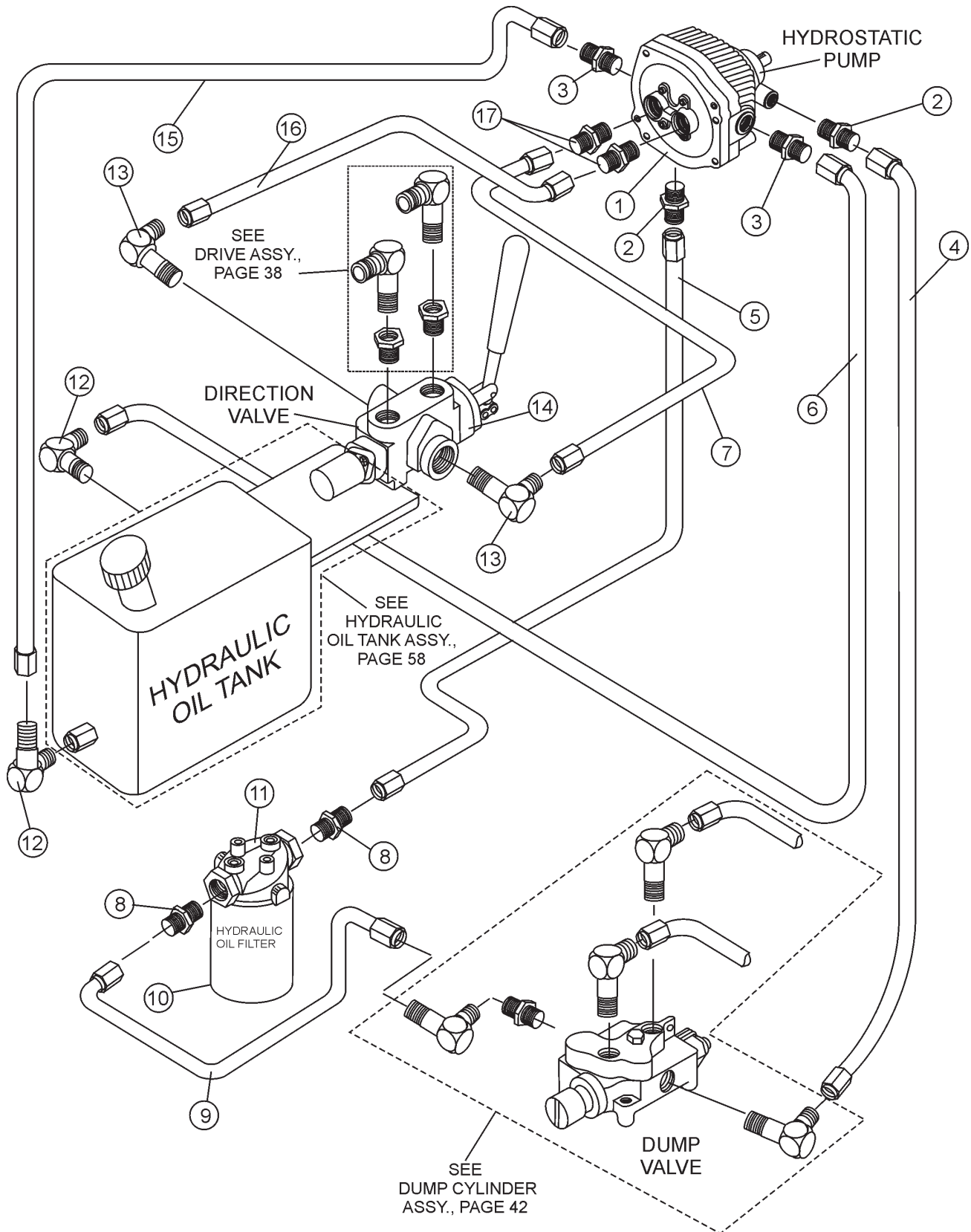
# WPB-16 POWER BUGGY — HYDRAULIC DRIVE ASSY.

## HYDRAULIC DRIVE ASSY.

<u>NO.</u>	<u>PART NO.</u>	<u>PART NAME</u>	<u>QTY.</u>	<u>REMARKS</u>
1	18058	VALVE, DIRECTION CONTROL	1	
2	18264M	HOSE, DIRECTION VALVE TO DRV. MOTOR	1	
3	512202	ADAPTER, STRAIGHT ASSY	2	
4	512201	ADAPTER, ELBOW	2	
5	18276M	HOSE, LH HYDRAULIC MOTOR	1	
6	512189	ADAPTER, T - CONNECTOR	2	
7	492527	NUT, HEX 1/2-20	8	
8	18029	WHEEL, DRIVE ASSY. FRONT	4	
9*	511692	FLANGE, HUB	2	
10*	18237	LUG BOLT/HUB FLANGE	8	
11	492584	NUT, HEX 1/2-13 NYLON .....	8	REPLACES 6109160
12	18190	SCREW, HUB STUD 1/2-13X 3 IN.	8	
13	491689	KEY, COTTER 1/8 X 2	2	
14	PT018038	NUT, CASTLE 1-1/8-18	2	
15	18040	HUB, DRIVE	2	
16	3365	ADAPTER, STRAIGHT	6	
17	505718	SCREW, HHC 1/2-13 X 2-3/4	8	
18	18011	MOTOR, HYDRAULIC DRIVE	2	
19	PE449105	KEY, WOODRUFF 1-1/4 32 MM	2	
20	492600	WASHER, FLAT 1/2	8	
21	492584	NUT, NYLOC 1/2-13	8	
22	18027	HOSE, DRIVER MOTOR CROSSOVER	2	
23	18275M	HOSE, RH HYDRAULIC MOTOR	1	
24	18265M	HOSE, DIRECTION VALVE TO DRV. MOTOR	1	
25	3322	ADAPTER	2	
26	511528	FLANGE HUB ASSY. ....	1	INCLUDES ITEMS W/*

# WPB-16 POWER BUGGY — HYDRAULIC PUMP ASSY.

## HYDRAULIC PUMP ASSY.



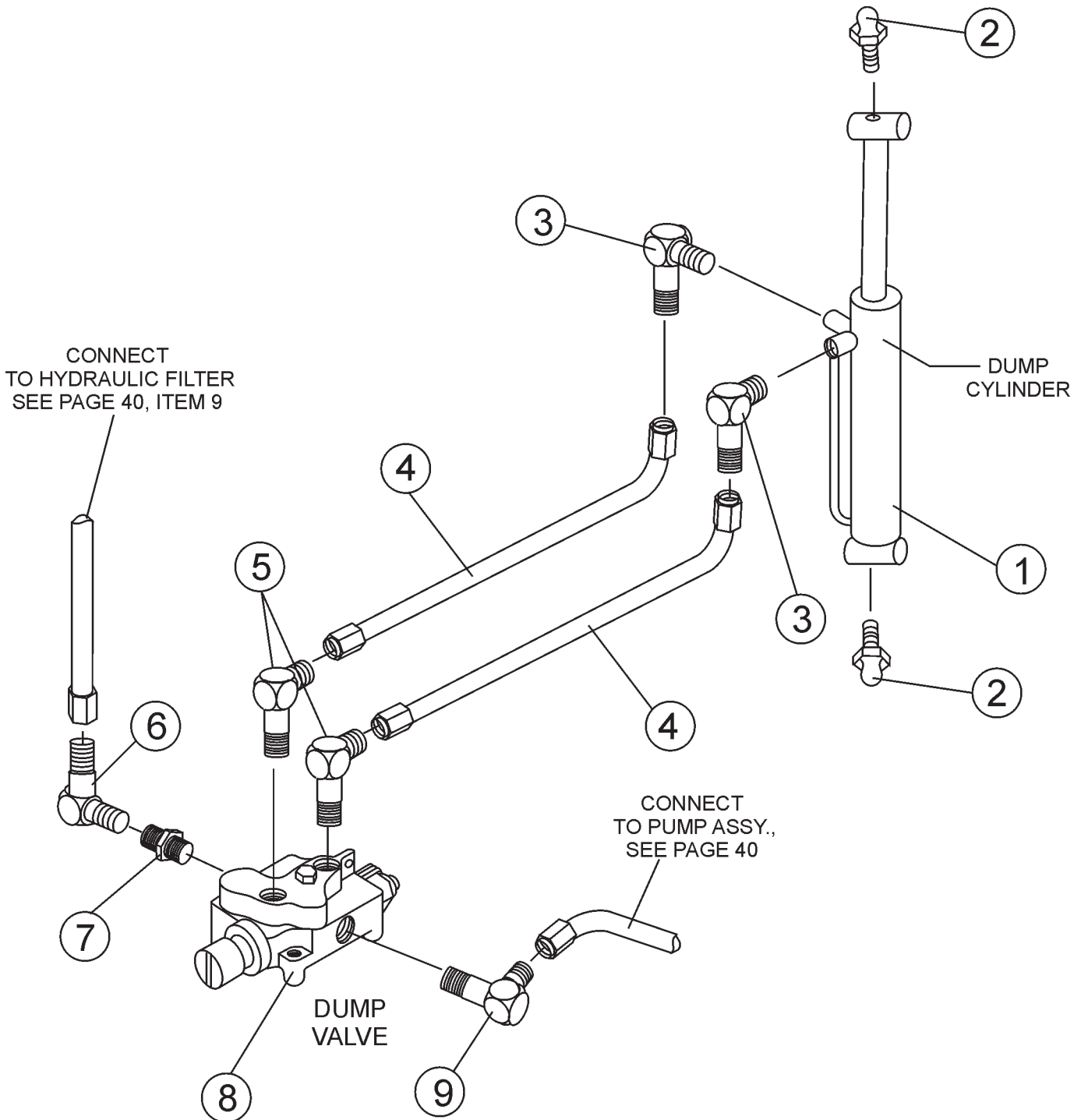
# WPB-16 POWER BUGGY — HYDRAULIC PUMP ASSY.

## HYDRAULIC PUMP ASSY.

<u>NO.</u>	<u>PART NO.</u>	<u>PART NAME</u>	<u>QTY.</u>	<u>REMARKS</u>
1	18035	PUMP, HYDRAULIC	1	
2	511808	ADAPTER, STRAIGHT	2	
3	3365	ADAPTER, STRAIGHT	6	
4	18256M	HOSE, PUMP TO DUMP VALVE	1	
5	18258M	HOSE, FILTER TO PUMP	1	
6	18261M	HOSE, PUMP TO TANK	1	
7	18263M	HOSE, PUMP TO DIREC. VALVE	1	
8	512190	ADAPTER, STRAIGHT	2	
9	18257M	HOSE, FILTER TO DUMP VALVE	1	
10	508667	FILTER	1	
11	508664	SUPPORT, FILTER	1	
12	511799	ADAPTER, ELBOW	2	
13	3322	ADAPTER, ELBOW	1	
14	18058	VALVE, DIRECTION CONTROL	1	
15	18262M	HOSE, TANK TO PUMP	1	
16	18266M	HOSE, PUMP TO DIRECTION VALVE	1	
17	3322	ADAPTER	2	

# WPB-16 POWER BUGGY — HYDRAULIC DUMP ASSY.

## HYDRAULIC DUMP ASSY.



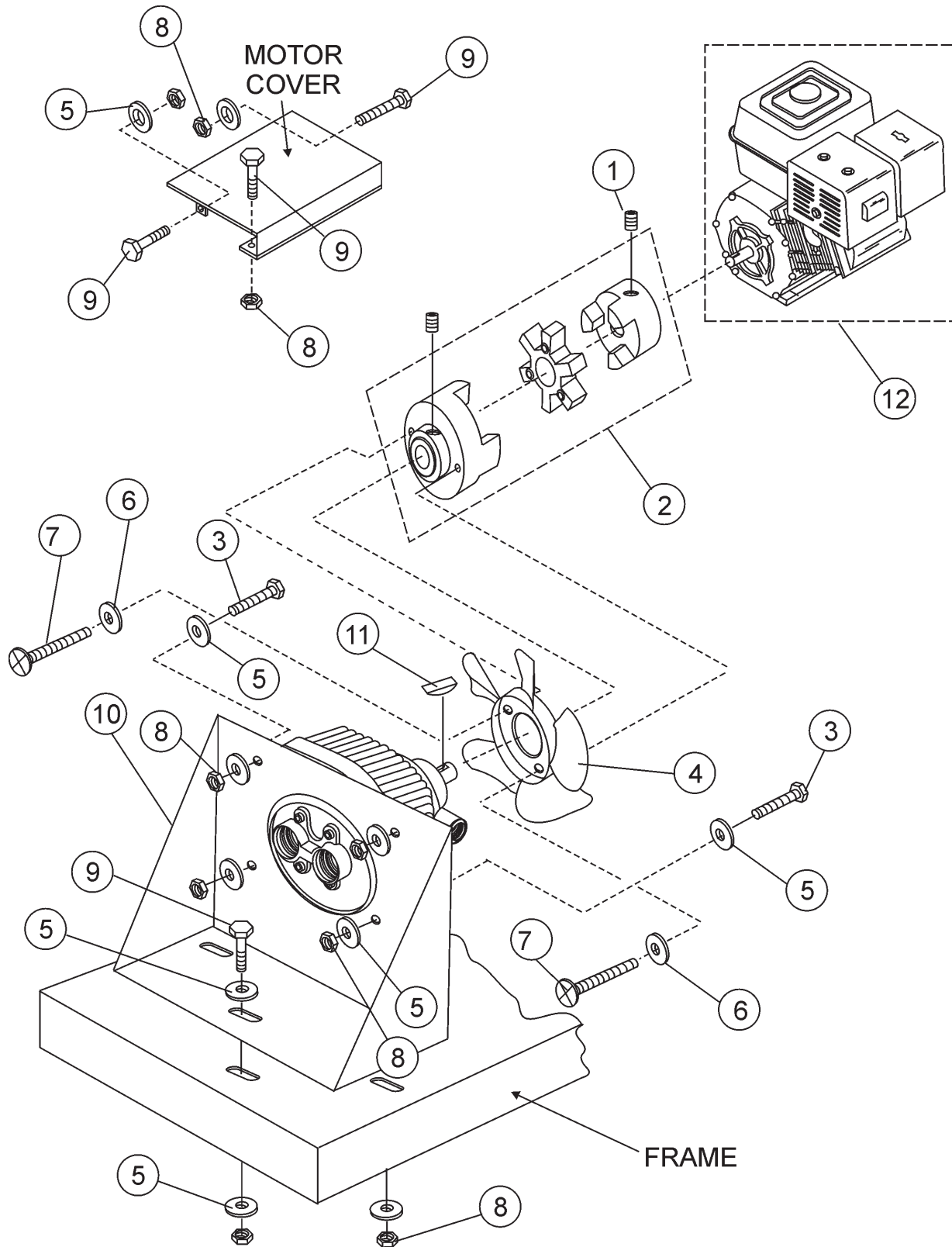
# WPB-16 POWER BUGGY — HYDRAULIC DUMP ASSY

## HYDRAULIC DUMP ASSY.

<u>NO.</u>	<u>PART NO.</u>	<u>PART NAME</u>	<u>QTY.</u>	<u>REMARKS</u>
1	18022	PISTON, HYD. DUMP	1	
2	491705	ZERK FITTING	2	
3	511803	ADAPTER, ELBOW	2	
4	18020	HOSE, DUMP VALVE TO HYD. PISTON	2	
5	511804	ADAPTER, STRAIGHT	2	
6	512234	ADAPTER, ELBOW	1	
7	511806	ADAPTER, STRAIGHT	1	
8	18064	VALVE, DUMP	1	
9	506191	ADAPTER, ELBOW	1	

# WPB-16 POWER BUGGY — PUMP AND COUPLING ASSY.

PUMP AND COUPLING ASSY.





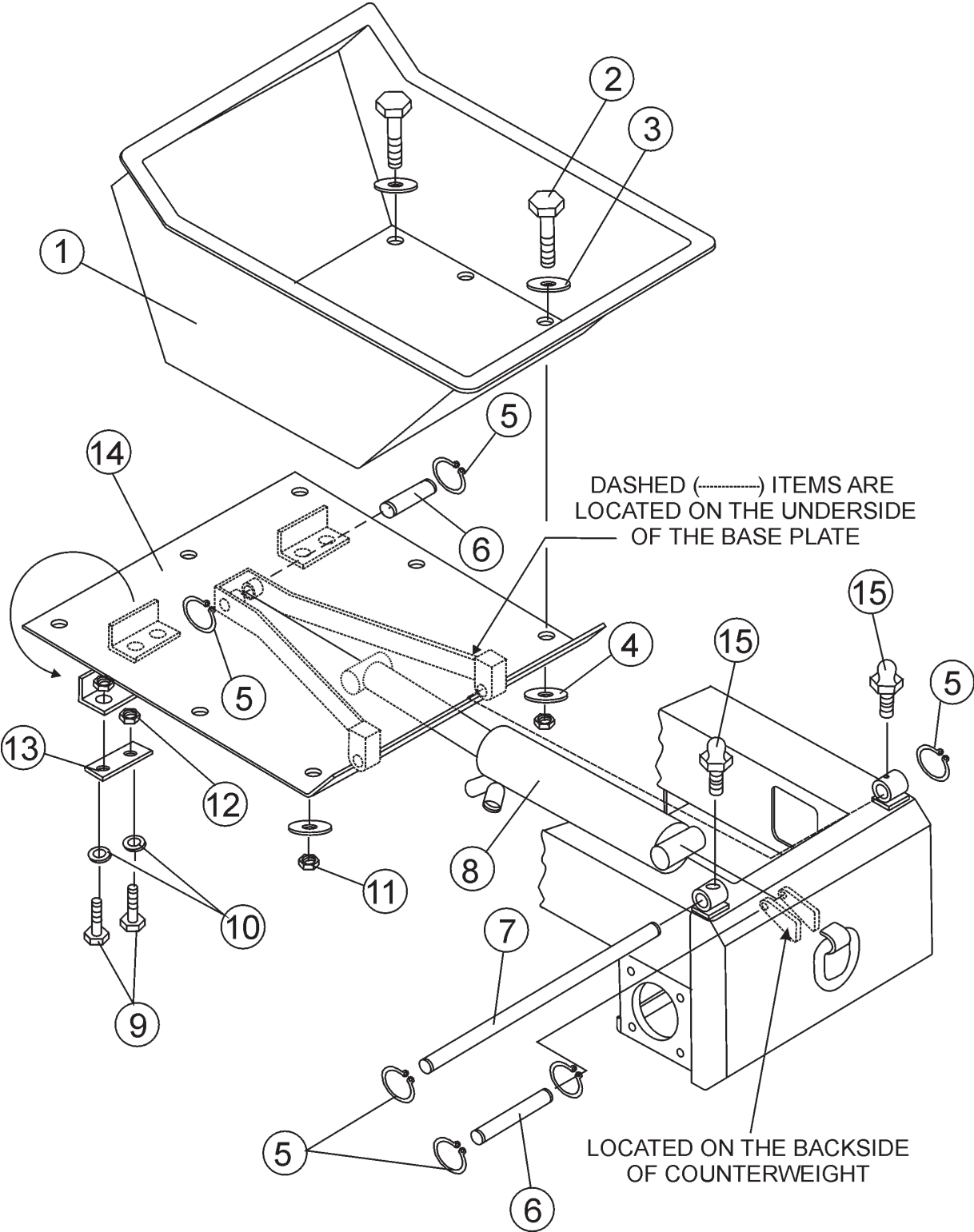
## WPB-16 POWER BUGGY — PUMP AND COUPLING ASSY.

### PUMP AND COUPLING ASSY.

<u>NO.</u>	<u>PART NO.</u>	<u>PART NAME</u>	<u>QTY.</u>	<u>REMARKS</u>
1	492472	SCREW, ALLEN HEAD 3/8-16 X 3/4	2	
2	511719	COUPLING, ENGINE SHAFT	1	
3	503112	SCREW, HEX 3/8-16 X 2-3/4	4	
4	18112	FAN	1	
5	492598	WASHER, FLAT 3/8	14	
6	492596	WASHER, FLAT 1/4	2	
7	492355	SCREW, HHC 1/4-20 X 1/2	2	
8	492583	NUT, NYLOC 3/8-16	7	
9	492313	SCREW, HHC 3/8-16 X 1-1/2	3	
10	512196	BRACKET, HYD. PUMP MOUNTING	1	
11	506250	KEY, WOODRUFF	1	
12	GX390K1QA2	ENGINE, HONDA GX390K1QA2 13.0 HP	1	RECOIL START
12	GX390K1QAE2	ENGINE, HONDA GX390K1QAE2 13.0 HP	1	ELECTRIC START

# WPB-16 POWER BUGGY — TUB ASSY.

TUB ASSY.



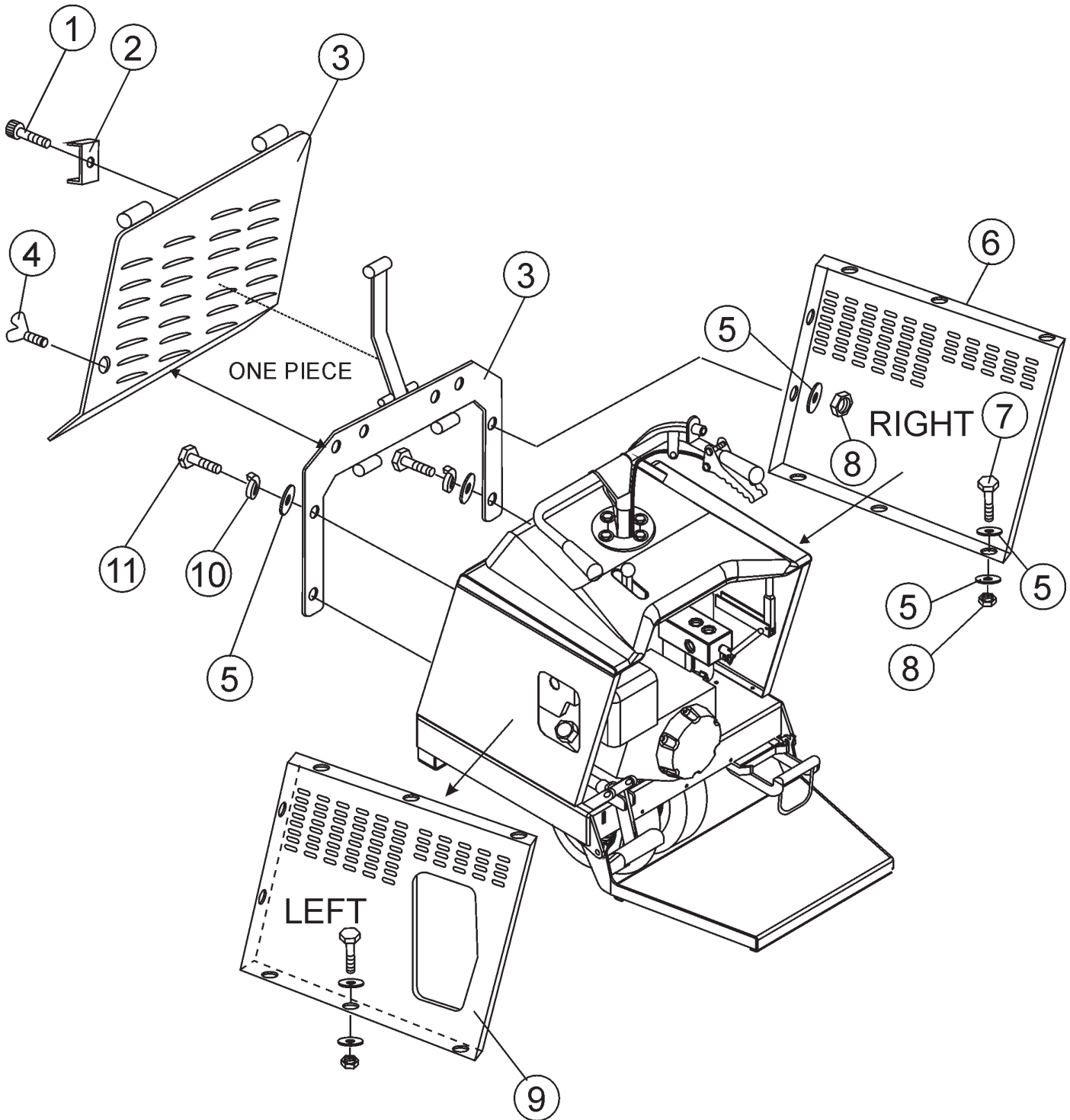
## WPB-16 POWER BUGGY — TUB ASSY.

TUB ASSY.

<u>NO.</u>	<u>PART NO.</u>	<u>PART NAME</u>	<u>QTY.</u>	<u>REMARKS</u>
1	18004	TUB, PLASTIC	1	
2	492313	SCREW, HHC 3/8-16 X 1-1/2	9	
3	512193	WASHER, FLAT 3/8 LARGE	9	
4	492598	WASHER, FLAT 3/8	9	
5	490957	RING, SNAP	6	
6	18130	PIN, HYD. PISTON CROSS	2	
7	18129	PIN, TUB FRAME CROSS	1	
8	18022	CYLINDER, HYDRAULIC DUMP	2	
9	492365	SCREW, HHC 5/16-18 X 1-1/4	4	
10	492597	WASHER, FLAT 9.5 X 22.2	8	
11	492583	NUT, NYLOC 3/4-16	9	
12	492582	NUT, NYLOC 5/16-18	4	
13	512279	SUPPORT, BUM STOP	2	
14	18099	FRAME, TUB MOUNT	1	

# WPB-16 POWER BUGGY — PANEL ASSY.

PANEL ASSY.



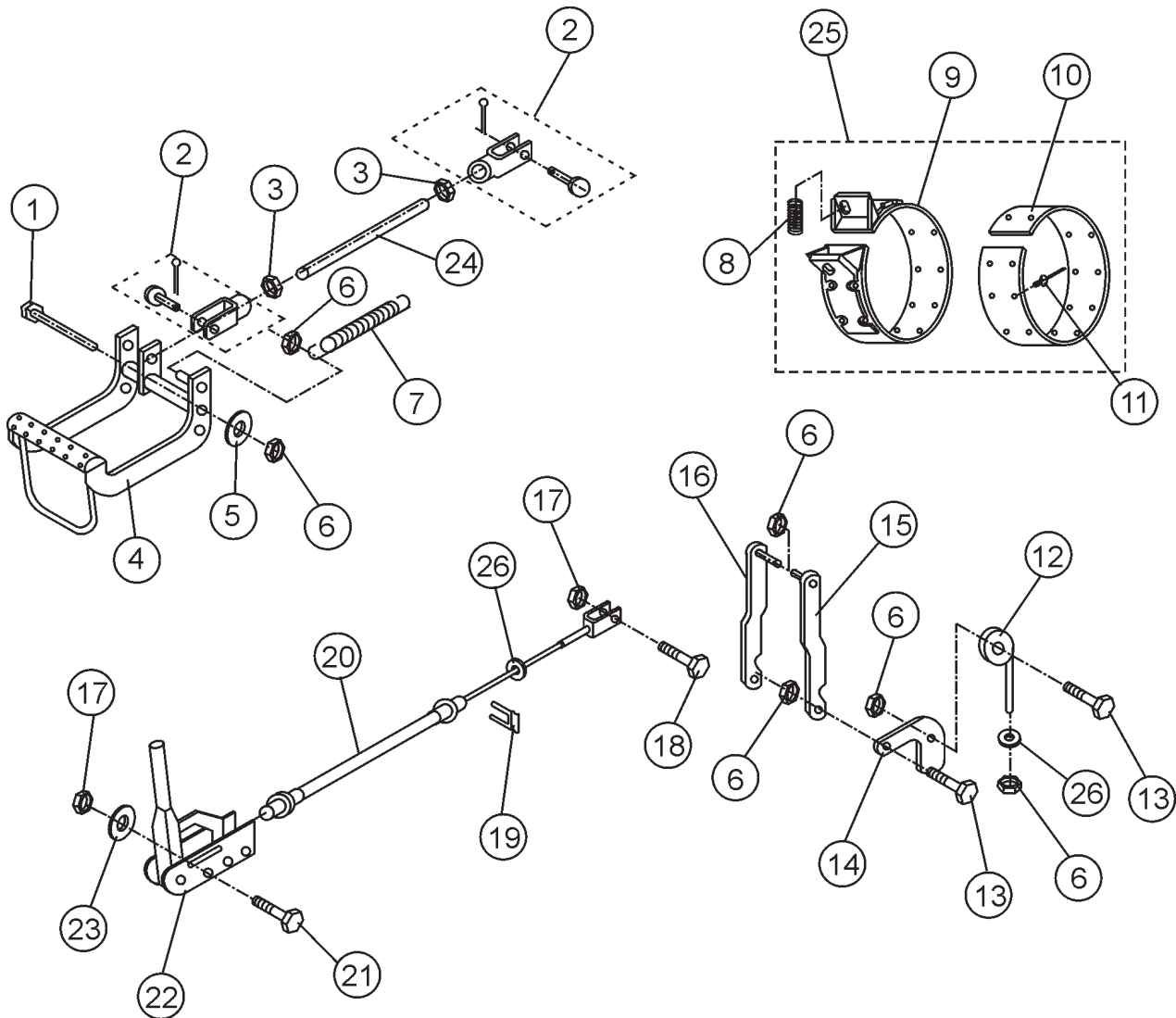
## WPB-16 POWER BUGGY — PANEL ASSY.

### PANEL ASSY.

<u>NO</u>	<u>PART NO</u>	<u>PART NAME</u>	<u>QTY.</u>	<u>REMARKS</u>
1	511476	SCREW, ALLEN 1/8 X 1/4	1	
2	511474	FASTENER, ACCESS DOOR	1	
3	18008	DOOR, ACCESS	1	
4	18024	SCREW, WING 1/4-20X3/4	2	
5	492597	WASHER, FLAT 9.5X22.2	20	
6	18141	COVER, R/SIDE ENGINE	1	
7	492364	SCREW, HHC 5/16-18X1	6	
8	492582	NUT, NYLOC 5/16-18	4	
9	18140	COVER, L/SIDE ENGINE	1	
10	492623	WASHER, LOCK 5/16	4	
11	505401	SCREW, HHC 5/16-18X 1/2	4	

# WPB-16 POWER BUGGY — BRAKE ASSY.

## BRAKE ASSY.



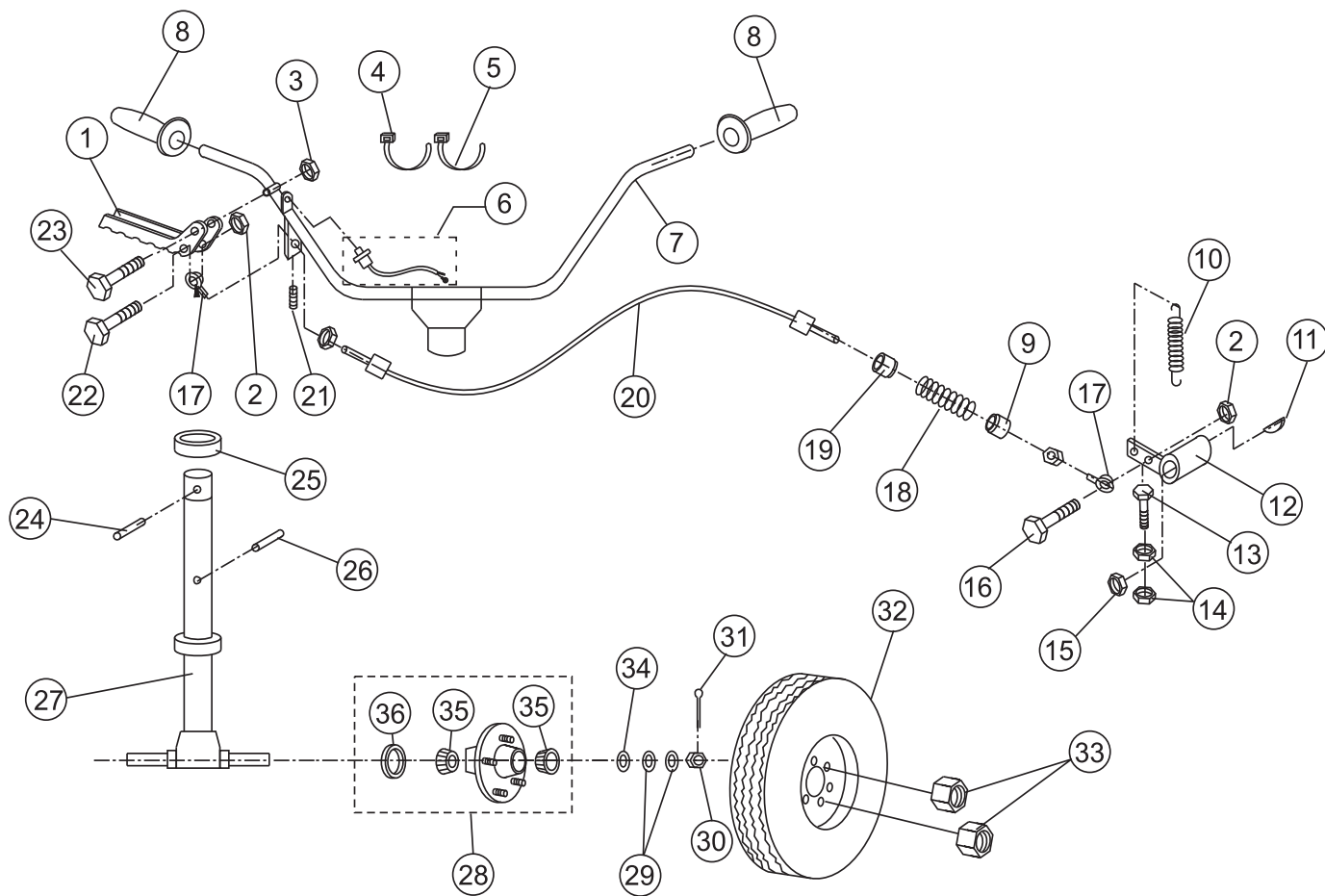
# WPB-16 POWER BUGGY — BRAKE ASSY.

## BRAKE ASSY.

<u>NO</u>	<u>PART NO</u>	<u>PART NAME</u>	<u>QTY.</u>	<u>REMARKS</u>
1	511762	SCREW, HHC 1/2-13X8	1	
2	511698	CLEVIS, ASSY. BRAKE	2	
3	511761	NUT, HEX 3/8-24 NF	2	
4	18111	PEDAL, BRAKE	1	
5	492600	WASHER, FLAT 1/2	1	
6	492584	NUT, NYLOC 1/2-13	10	
7	18167	SPRING, BRAKE PEDAL	1	
8*	18307	SPRING, BRAKE	2	
9*	18300	BAND, BRAKE	2	
10*	18316	LINING, BRAKE	2	
11*	503723	RIVET, BRAKE LINING	56	
12	18303	SHAFT, CRANK PIN	2	
13	492395	SCREW, HHC 1/2-13X1-3/4	2	
14	18302	BELL CRANK, BRAKE	2	
15	18032	LINKAGE, RIGHT BRAKE	1	
16	18314	LINKAGE, LEFT BRAKE	1	
17	492582	NUT, NYLOC 5/16-18	2	
18	492303	SCREW, HHC 5/16-18X1-14	1	
19	505170	CLIP, PARK CABLE	1	
20	18016	CABLE, PARK BRAKE	1	
21	492367	SCREW, HHC 5/16-18X1-3/4	3	
22	18015	LEVER, ASSY. PARK BRAKE	1	
23	492597	WASHER, FLAT 9.5X22.2	3	
24	18145	ROD, BRAKE CONTROL	1	
25	512881	BRAKE BAND ASSEMBLY	2	INCLUDES ITEMS W/*
26	492600	WASHER, FLAT 1/2 IN.	2	

# WPB-16 POWER BUGGY — STEERING ASSY.

## STEERING ASSY.





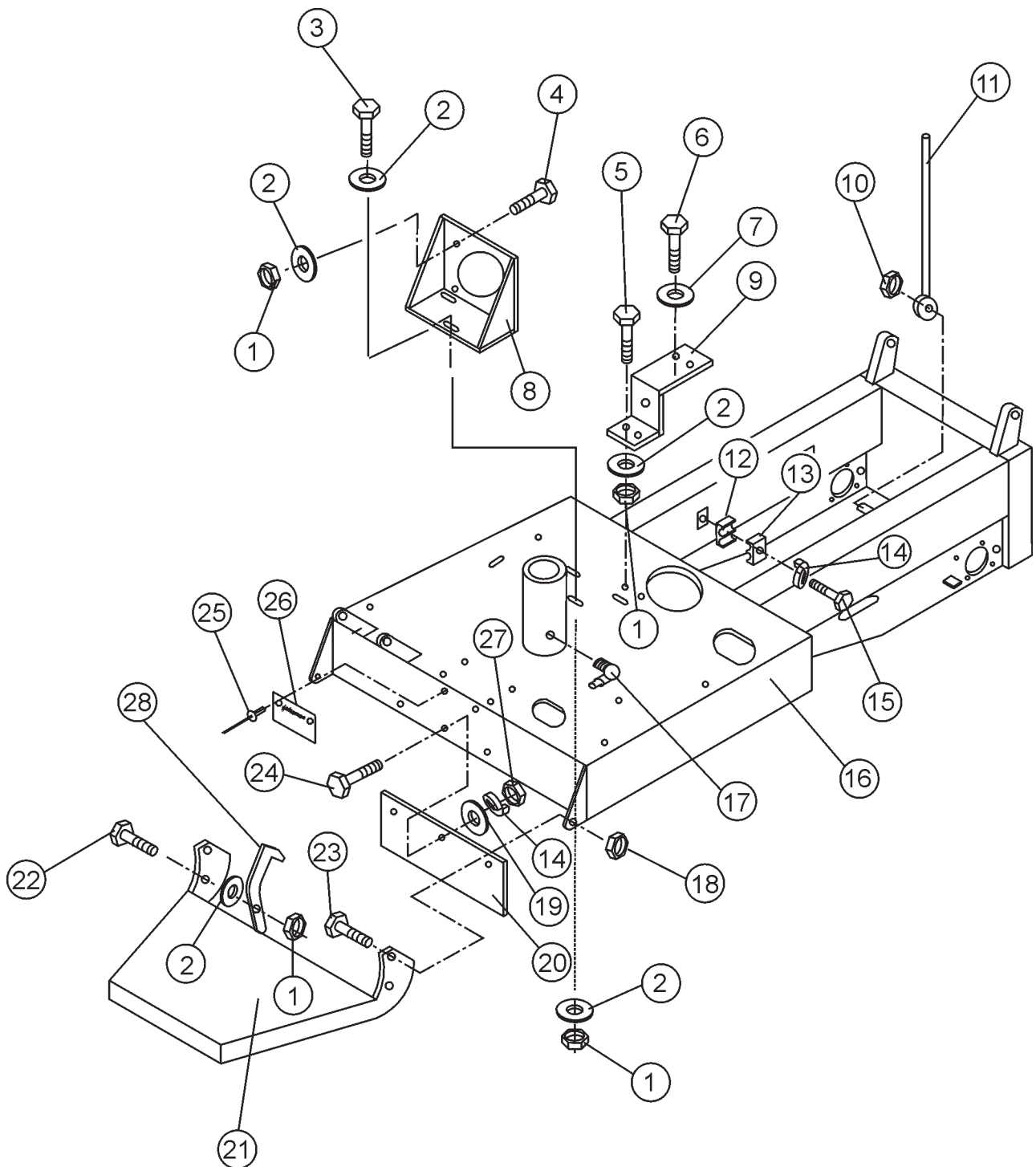
# WPB-16 POWER BUGGY — STEERING ASSY.

## STEERING ASSY.

<u>NO</u>	<u>PART NO</u>	<u>PART NAME</u>	<u>QTY.</u>	<u>REMARKS</u>
1	18132	LEVER, THROTTLE	1	
2	492581	NUT, NYLOC 1/4-20	1	
3	492582	NUT, NYLOC 5/16-18	1	
4	491030	WRAP, T1Z	1	
5	504505	WRAP, T1E	1	
6	18025	SWITCH, KILL	1	
7	18242	HANDLE BAR	1	
8	511432	GRIP, HANDLE	2	
9	18181	BUSHING, CABLE	1	
10	18177	SPRING	1	
11	511717	KEY, WOODRUFF 1/8X5/8	1	
12	18061	LEVER, CONTROL	1	
13	512414	SCREW, HHC 1/4-20 X 2-1/4	1	
14	492561	NUT, HEX 1/4-20	2	
15	492584	NUT, NYLOC 1/2-13	1	
16	492357	SCREW, HHC 1/4-20X1	1	
17	18183	CONNECTOR, THROTTLE CABLE END	2	
18	18176	SPRING	1	
19	18182	BUSHING, CABLE	1	
20	18133	CABLE, THROTTLE	1	
21	492465	SCREW, ALLEN HEAD 1/4-20 X3/8	1	
22	506088	SCREW, HHC 1/4-20X3/8	1	
23	492369	SCREW, HHC 5/16-18X2-1/4	1	
24	491723	PIN, STEERING SHAFT	1	
25	18238	BEARING, STEERING SHAFT	1	
26	512186	PIN, STEERING SHAFT	1	
27	18091	AXLE, STEERING	1	
28	EM941306	HUB, REAR WHEEL .....	2	INCLUDES ITEMS W/#
29	EM501299	WASHER, REAR WHEEL HUB	2	
30	512210	NUT, CASTLE	2	
31	491688	PIN, COTTER 1/8 X 1-1/2	2	
32	18049	WHEEL, STEERING ASSY. REAR	2	
33	8115	NUT LUG	8	
34	511159	WASHER, FLAT 1 IN.	2	
35#	EM903113	BEARING CONE	2	
36#	15191VB	SEAL	1	

# WPB-16 POWER BUGGY — CHASSIS ASSY.

CHASSIS ASSY.



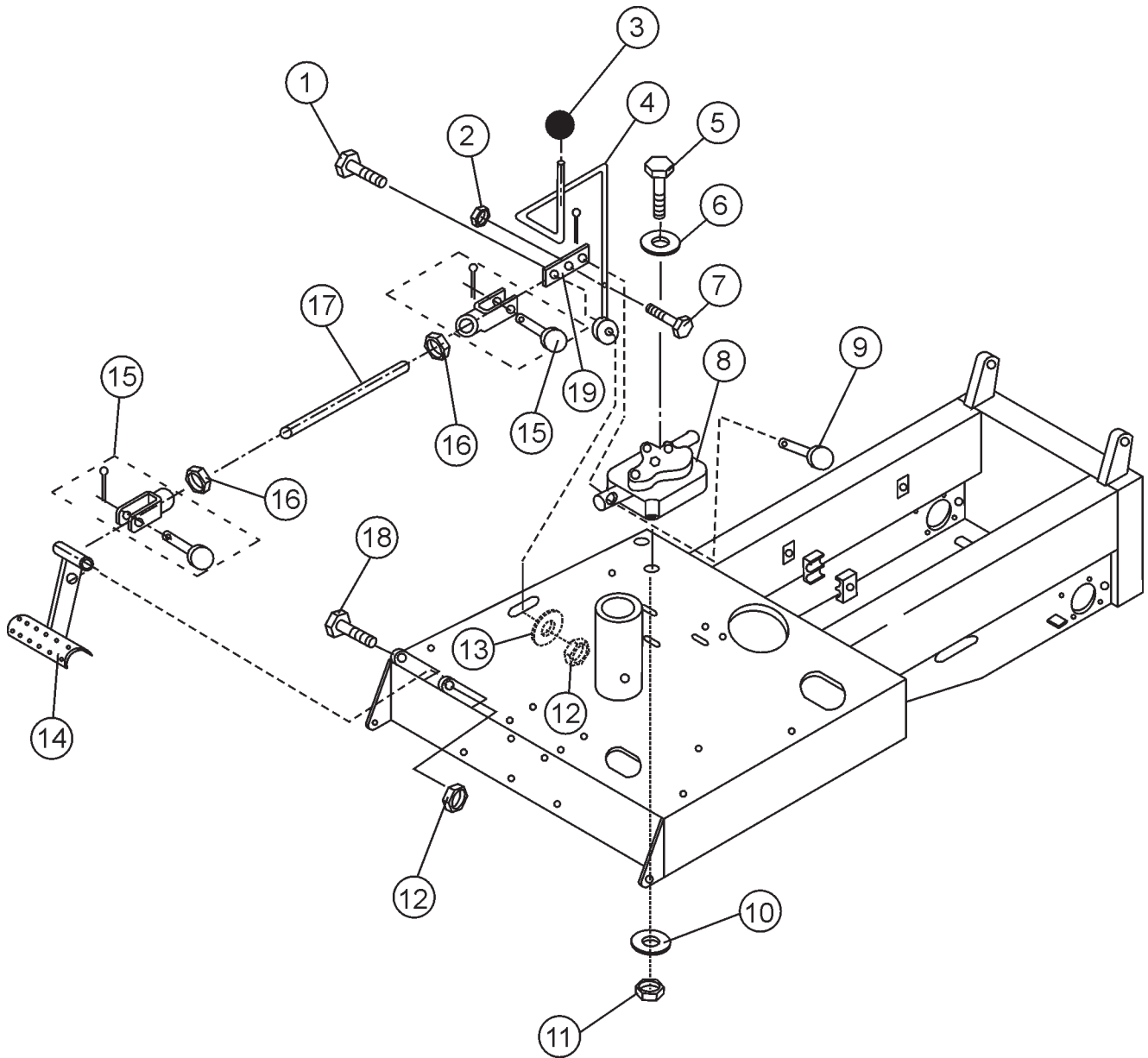
# WPB-16 POWER BUGGY — CHASSIS ASSY.

## CHASSIS ASSY.

<u>NO.</u>	<u>PART NO.</u>	<u>PART NAME</u>	<u>QTY.</u>	<u>REMARKS</u>
1	492583	NUT, NYLOC 3/8	10	
2	492598	WASHER, FLAT 3/8	18	
3	492313	SCREW, HHC 3/8- 16 X 1- 1/2	3	
4	503112	SCREW, HHC 3/8- 16 X 2- 3/4	4	
5	492375	SCREW, HHC 3/8- 16 X 12	2	
6	492357	SCREW, HHC 1/4- 20 X 12	2	
7	492622	WASHER, LOCK 1/4	2	
8	512196	BRACKET, HYD. PUMP MOUNTING	1	
9	18146	MOUNT, OIL FILTER	1	
10	505069	NUT, NYLOC 3/4- 10	1	
11	18198	ROD, TUB PROP	1	
12	505976	CLAMP, BRACKET	2	
13	506185	CLAMP, BRACKET	2	
14	492623	WASHER, LOCK 5/16	5	
15	492366	SCREW, HHC 5/16- 18 X 1- 1/2	2	
16	18047	CHASSIS	1	
17	503901	ZERK FITTING 1/4- 28	1	
18	492586	NUT, NYLOC 5/8-11	2	
19	492597	WASHER, FLAT 9.5 X 22.2	3	
20	18162	PANEL, REAR WHEEL COVER	1	
21	18222	PLATFORM, OPERATOR	1	
22	492313	SCREW, HHC 3/8- 16 X 1- 1/2	1	
23	492406	SCREW, HHC 5/8- 11 X 1- 1/2	2	
24	492363	SCREW, HHC 5/16- 18 X 3/4	3	
25	491757	RIVET, I.D. PLATE	2	
26	513524	PLATE, SERIAL NUMBER .....	1	..... CONTACT MULTIQUIP PARTS DEPT.
27	492553	NUT, HEX 5/16- 18	3	
28	18173	LATCH, PLATFORM	1	

# WPB-16 POWER BUGGY — DUMP PEDAL AND HANDLE ASSY.

DUMP PEDAL AND HANDLE ASSY.



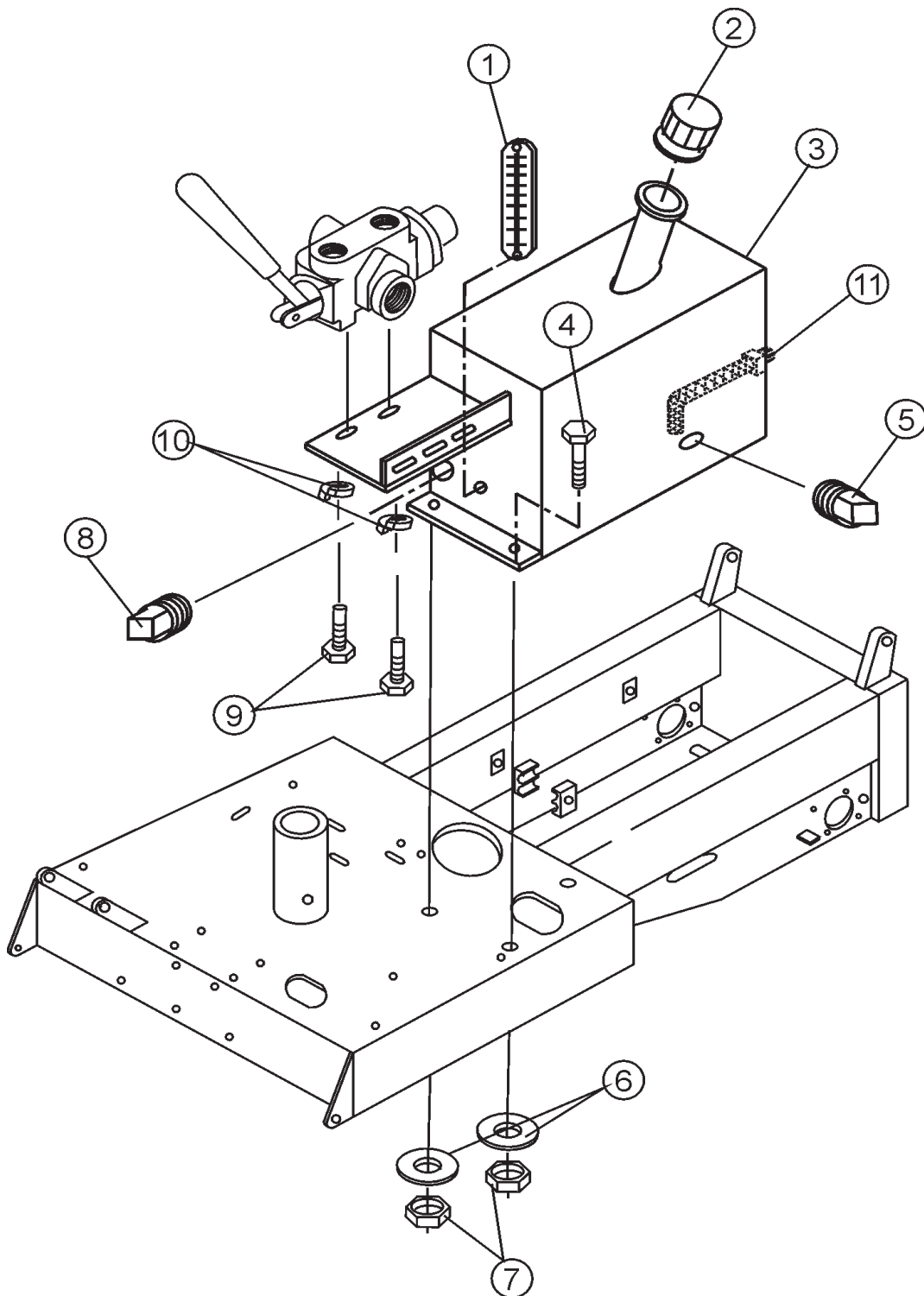
# WPB-16 POWER BUGGY — DUMP PEDAL AND HANDLE ASSY.

## DUMP PEDAL AND HANDLE ASSY.

<u>NO.</u>	<u>PART NO.</u>	<u>PART NAME</u>	<u>QTY.</u>	<u>REMARKS</u>
1	492401	SCREW, HHC 1/2- 13 X 4	1	
2	512184	NUT, NYLOC 3/16- 24	1	
3	18121	KNOB, LEVER	1	
4	18065	LEVER, DUMP VALVE	1	
5	512185	SCREW, HHC 1/4- 20 X1- 3/4	2	
6	492622	WASHER, LOCK 1/4	1	
7	512183	SCREW, HHC 3/16- 24 X1- 1/4	1	
8	18064	VALVE, DUMP .....	1	INCLUDES ITEMS W/*
9*		PIN, DUMP VALVE CROSS .....	1	CANNOT BE PURCHASED SEPERATELY
10	492596	WASHER, FLAT 1/4	1	
11	492581	NUT, NYLOC 1/4- 20	1	
12	492584	NUT, NYLOC 1/2- 13	2	
13	492600	WASHER, FLAT 1/2	1	
14	18152	PEDAL, DUMP VALVE	1	
15	18123	CLEVIS , ASSY. DUMP VALVE	2	
16	511761	NUT, HEX 3/8- 24 NF	2	
17	18153	ROD, DUMP VALVE	1	
18	492400	SCREW, HHC 1/2- 13 X 3- 1/2	1	
19	18122	BELL CRANK, DUMP VALVE	1	

# WPB-16 POWER BUGGY — HYDRAULIC OIL TANK ASSY.

HYDRAULIC OIL TANK ASSY.



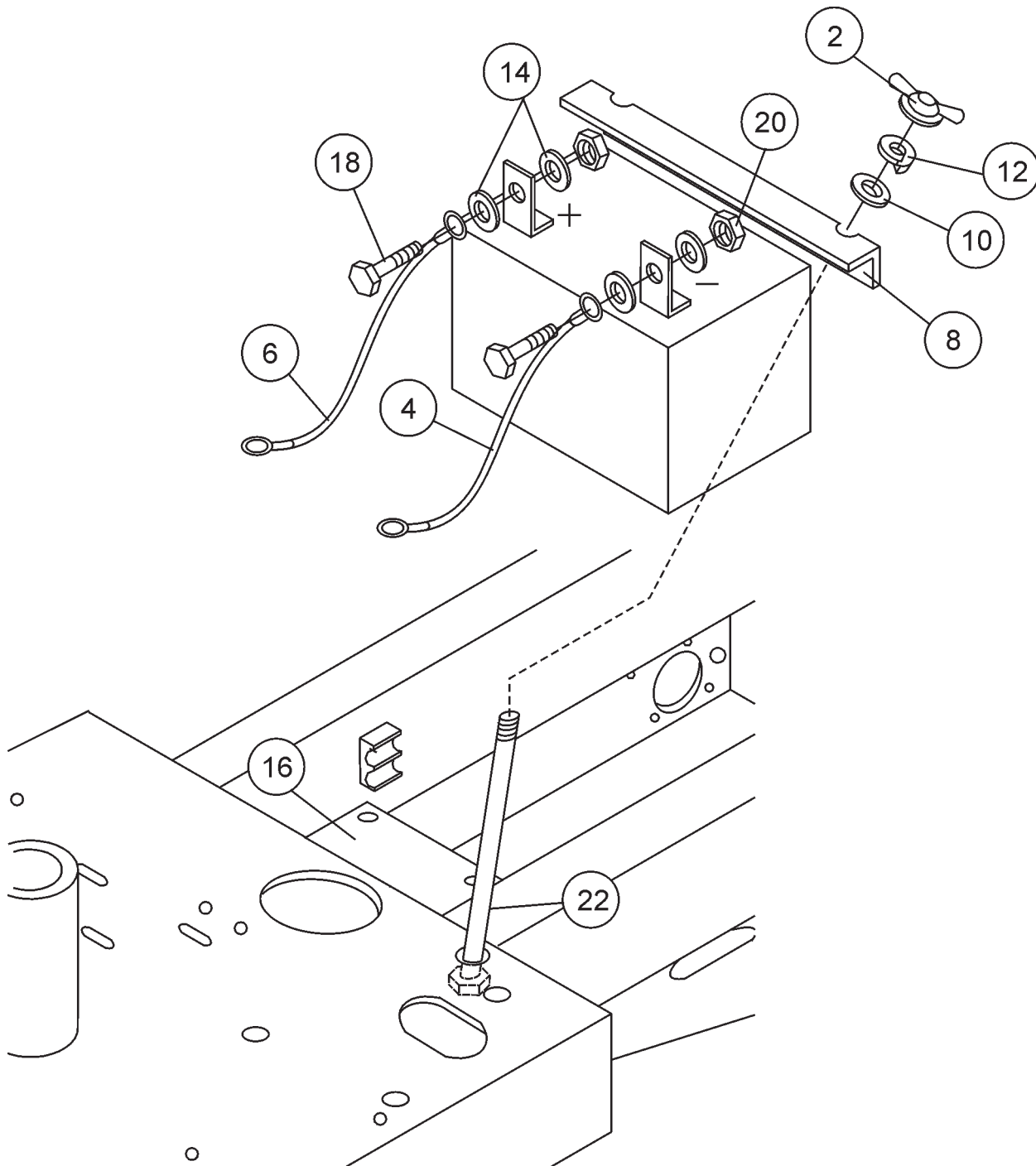
## WPB-16 POWER BUGGY — HYDRAULIC OIL TANK ASSY.

### HYDRAULIC OIL TANK ASSY.

<u>NO.</u>	<u>PART NO.</u>	<u>PART NAME</u>	<u>QTY.</u>	<u>REMARKS</u>
1	3336	SIGHT GAUGE, HYD. OIL TANK	1	
2	16477	CAP, HYD. OIL TANK	1	
3	18113	TANK HYD. OIL	1	
4	492375	SCREW, HHC 3/8- 16 X1	3	
5	491212	PLUG, HYD. OIL TANK 1/2"	1	
6	492598	WASHER, FLAT 3/8	3	
7	492583	NUT, NYLOC 3/8- 16	3	
8	49123	PLUG, HYD. OIL TANK 3/4	1	
9	492373	SCREW, HHC 3/8- 16 X 3/4	2	
10	492624	WASHER, LOCK 3/8	2	
11	18229	SCREEN, OIL RESERVOIR	2	

# WPB-16 POWER BUGGY — BATTERY ASSY. (ELECTRIC START)

BATTERY ASSY. (ELECTRIC START)





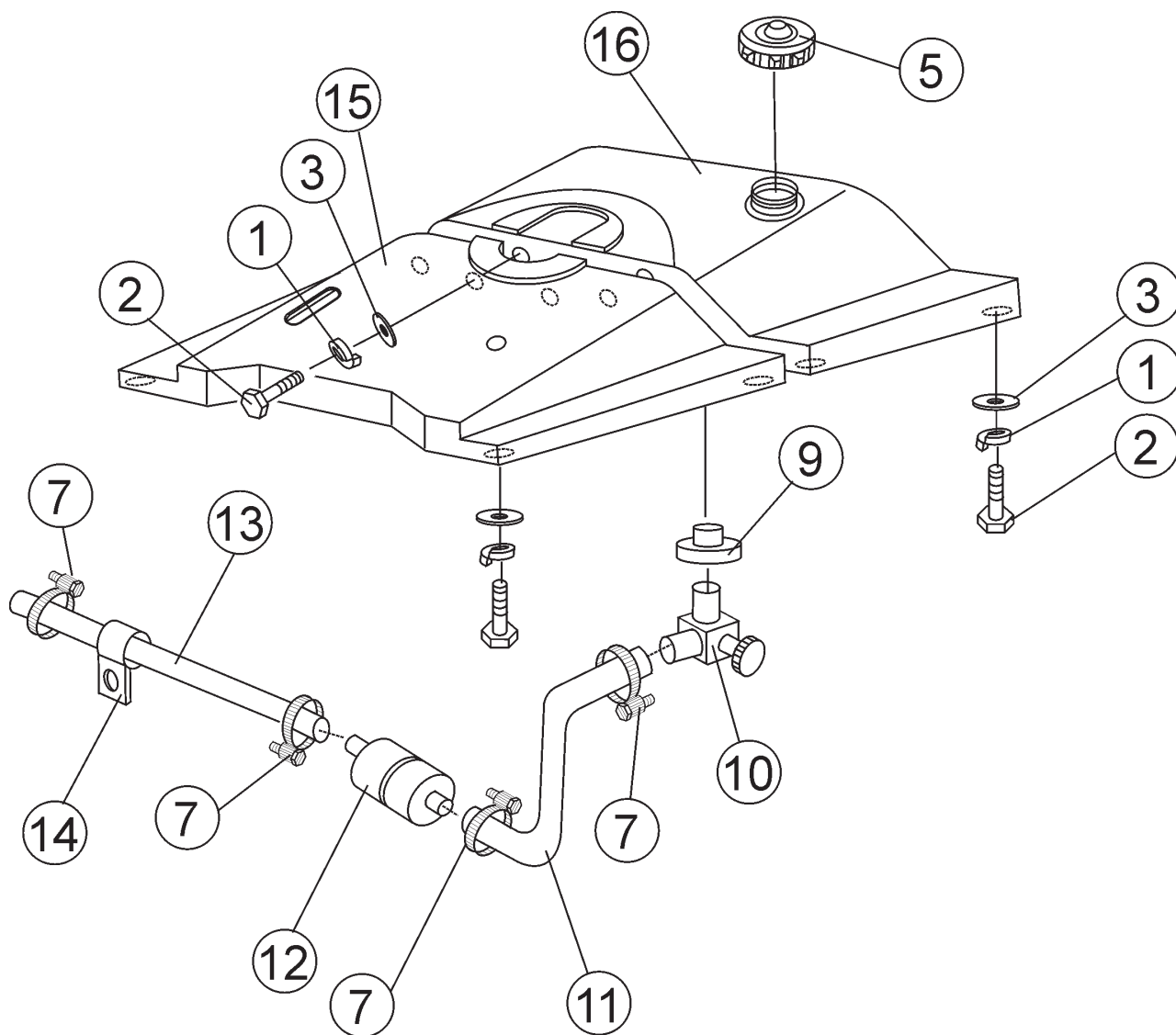
# WPB-16 POWER BUGGY — BATTERY ASSY. (ELECTRIC START)

## BATTERY ASSY. (ELECTRIC START)

<u>NO.</u>	<u>PART NO.</u>	<u>PART NAME</u>	<u>QTY.</u>	<u>REMARKS</u>
2	505500	WINGNUT	2	
4	512557	BATTERY CABLE, NEGATIVE	1	
6	511250	BATTERY CABLE, POSITIVE	1	
8	512555	BATTERY SUPPORT BRACKET	1	
10	492596	WASHER, FLAT 1/4"	2	
12	492622	WASHER, LOCK 1/4"	2	
14	492595	WASHER, FLAT 3/16"	4	
16	508480	BATTERY SUPPORT PLATFORM	1	
18	503118	BOLT 3/16" x 1"	2	
20	503119	NUT 3/16"	2	
22	512585	SUPPORT BRACKET BOLT	2	
24	4671	BATTERY	1	

# WPB-16 POWER BUGGY — FUEL TANK ASSY.

FUEL TANK ASSY.



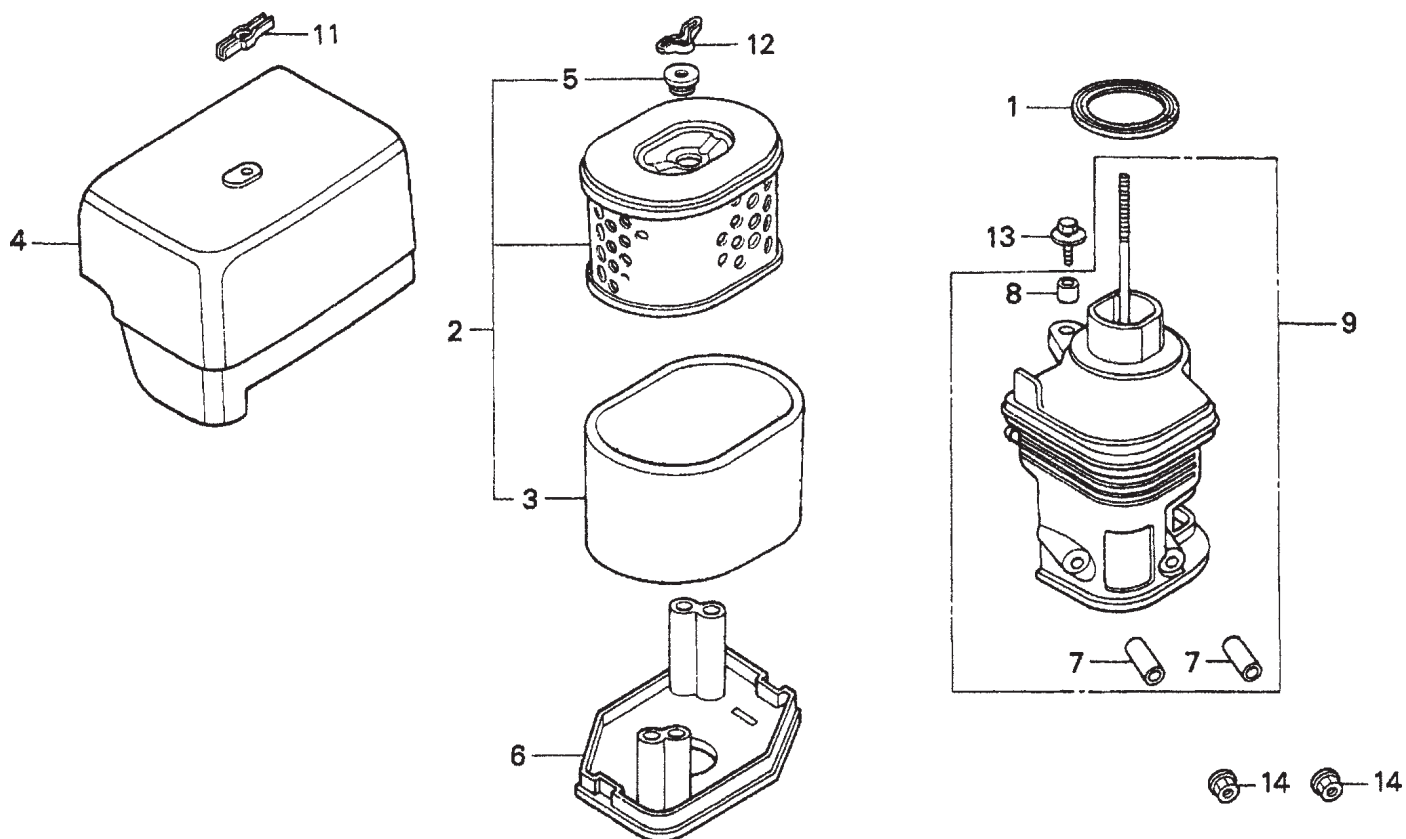
## WPB-16 POWER BUGGY — FUEL TANK ASSY.

### FUEL TANK ASSY.

<u>NO.</u>	<u>PART NO.</u>	<u>PART NAME</u>	<u>QTY.</u>	<u>REMARKS</u>
1	492623	WASHER, LOCK 1/4 IN.	4	
2	505401	SCREW, HHC 1/4 x 3/4 IN.	4	
3	492597	WASHER, FLAT 1/4 IN.	4	
4	18280	COLLAR, STEERING SHAFT	1	
5	18166	CAP, FUEL	1	
7	506208	CLAMP, FUEL HOSE	4	
9	19633	SEAL, FUEL TANK GROMMET	1	
10	19661	VALVE, FUEL SHUT-OFF	1	
11	512192	HOSE, FUEL	1	
12	20763	FILTER, FUEL	2	
13	512191	HOSE, FUEL	1	
14	511807	STRAP NYLON 5/8	1	
15	18103	COVER, FUEL TANK	1	
16	18098	TANK, FUEL	1	

# HONDA GX390K1QA2/QAE2 — AIR CLEANER ASSY.

AIR CLEANER ASSY.



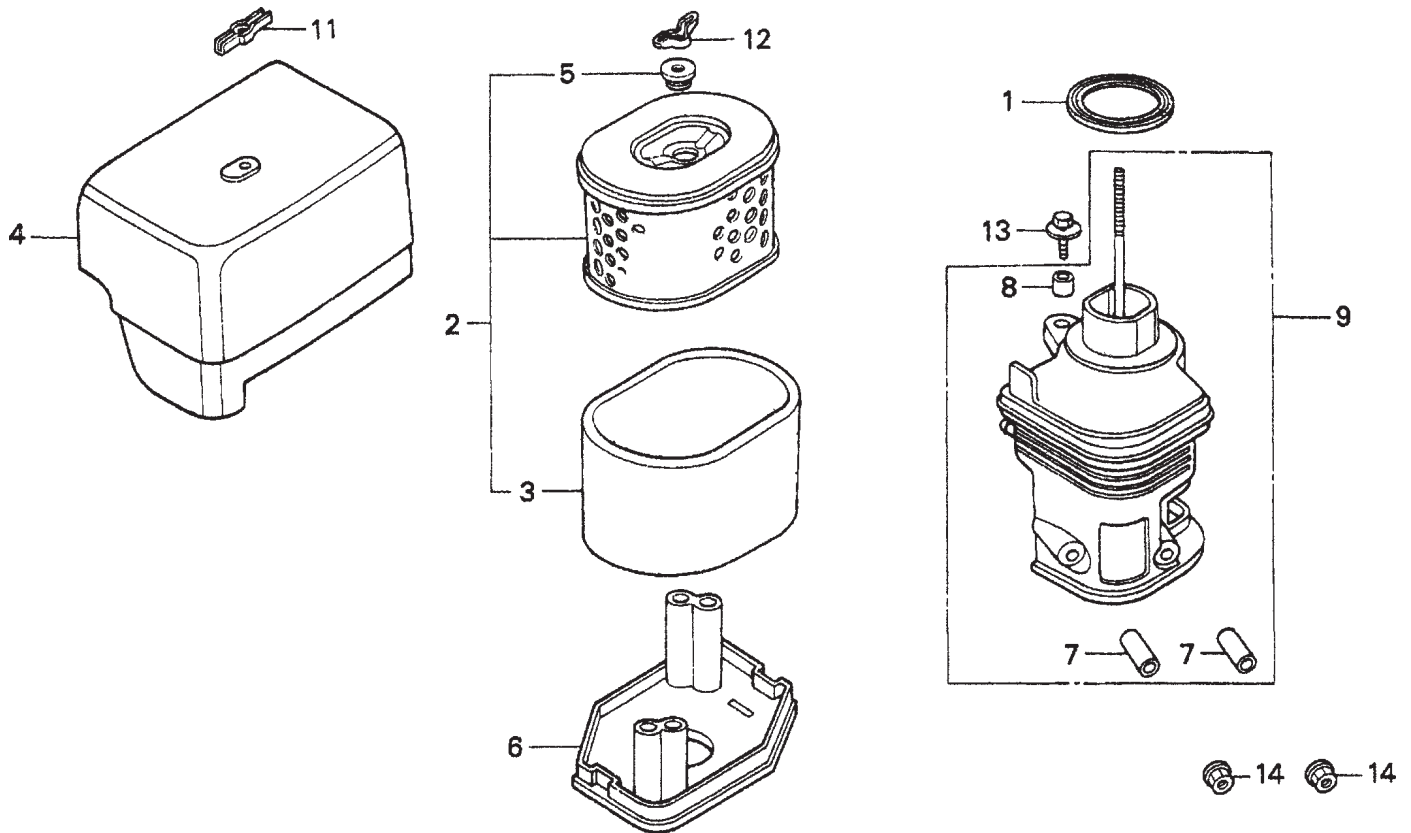
# HONDA GX390K1QA2/QAE2 — AIR CLEANER ASSY.

## AIR CLEANER ASSY.

<u>NO.</u>	<u>PART NO.</u>	<u>PART NAME</u>	<u>QTY.</u>	<u>REMARKS</u>
1	16271ZE2000	GASKET, ELBOW	1	
2	17210ZE3505	ELEMENT, AIR CLEANER .....	1	INCLUDES ITEMS W/#
3#	17218ZE3505	FILTER, OUTER	1	
4	17231ZE3W00	COVER, AIR CLEANER .....	1	USE UP TO ENGINE SN 3125749
4	17231ZE3W01	COVER, AIR CLEANER .....	1	USE FROM ENGINE SN 3125749
5#	17232891000	GROMMET, AIR CLEANER	1	
7*	17238ZE2310	COLLAR, AIR CLEANER	2	
8*	17239ZE1000	COLLAR B, AIR CLEANER	1	
9	17410ZH9N00	ELBOW, AIR CLEANER .....	1	INCLUDES ITEMS W/*
11	90203ZA0800	WINGNUT, 6MM	1	
12	90325044000	WINGNUT, TOOL BOX SETTING	1	
13	90009ZE2003	BOLT- WASHER 6X22	1	
14	9405006000	NUT, FLANGE 6MM	2	

# HONDA GX390K1QA2/QAE2 — CAMSHAFT ASSY.

CAMSHAFT ASSY.



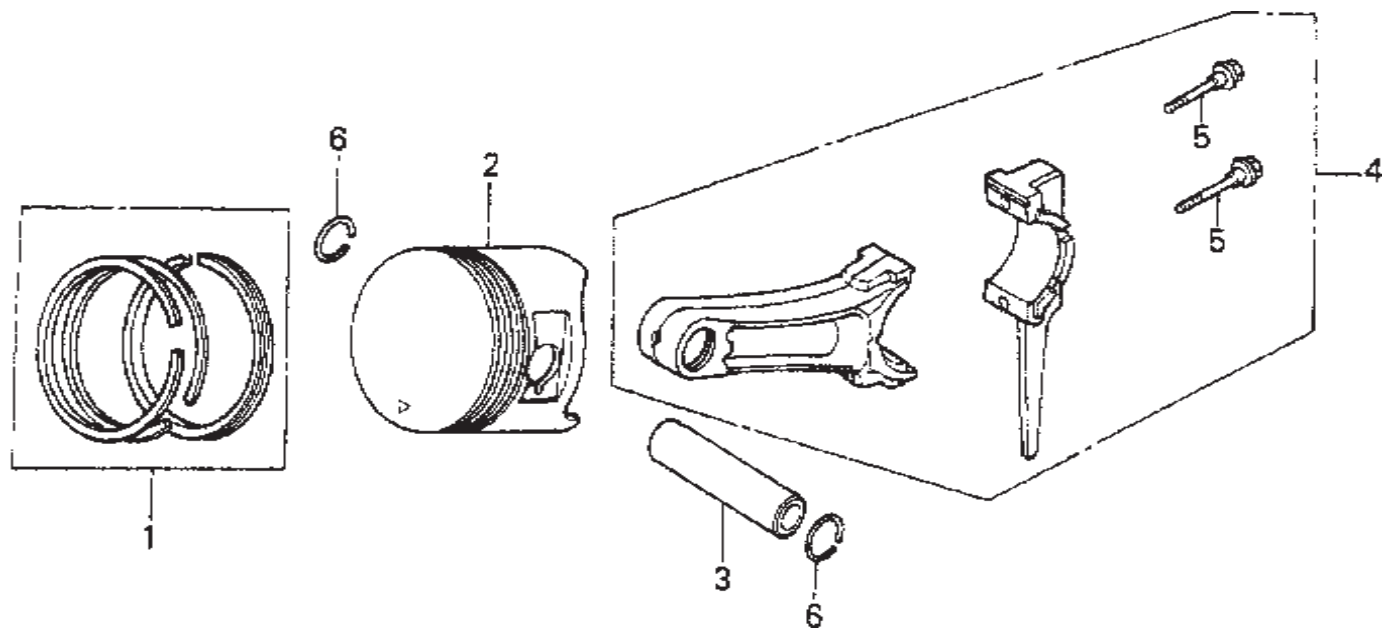
# HONDA GX390K1QA2/QAE2 — CAMSHAFT ASSY.

## CAMSHAFT ASSY.

<u>NO.</u>	<u>PART NO.</u>	<u>PART NAME</u>	<u>QTY.</u>	<u>REMARKS</u>
1	14100ZF6W01	CAMSHAFT ASSEMBLY .....	1 .....	INCLUDES ITEMS W/* USE FROM ENGINE SN 2391940
1	14100ZF6305	CAMSHAFT ASSEMBLY .....	1 .....	INCLUDES ITEMS W/* USE UP TO ENGINE SN 2391939
2	14410ZE3013	ROD, PUSH	2	
3	14431ZE2010	ARM, VALVE ROCKER .....	2 .....	REPLACES 14431ZE2000
4	14441ZE2000	LIFTER, VALVE	2	
5	14451ZE1013	PIVOT, ROCKER ARM	2	
6*	14568ZE1000	SPRING, WEIGHT RETURN	1	
7	14711ZE3000	VALVE, INTAKE	1	
8	14721ZE3000	VALVE, EXHAUST	1	
9	14751ZE2003	SPRING, VALVE	2	
10	14771ZE2000	RETAINER, INTAKE VALVE SPRING	1	
11	14773ZE2000	RETAINER, EXHAUST VALVE SPRING	1	
12	14775ZE2010	SEAT, VALVE SPRING	1	
13	14781ZE2000	ROTATOR, VALVE	1	
14	14791ZE2010	PLATE, PUSH ROD GUIDE	1	
15	90012ZE0010	BOLT, PIVOT 8MM	2	
16	90206ZE1000	NUT, PIVOT ADJ.	2	
17	12209ZE8003	SEAL, VALVE STEM .....	1 .....	USE FROM ENGINE SN 3065844

# HONDA GX390K1QA2/QAE2 — PISTON ASSY.

PISTON ASSY.





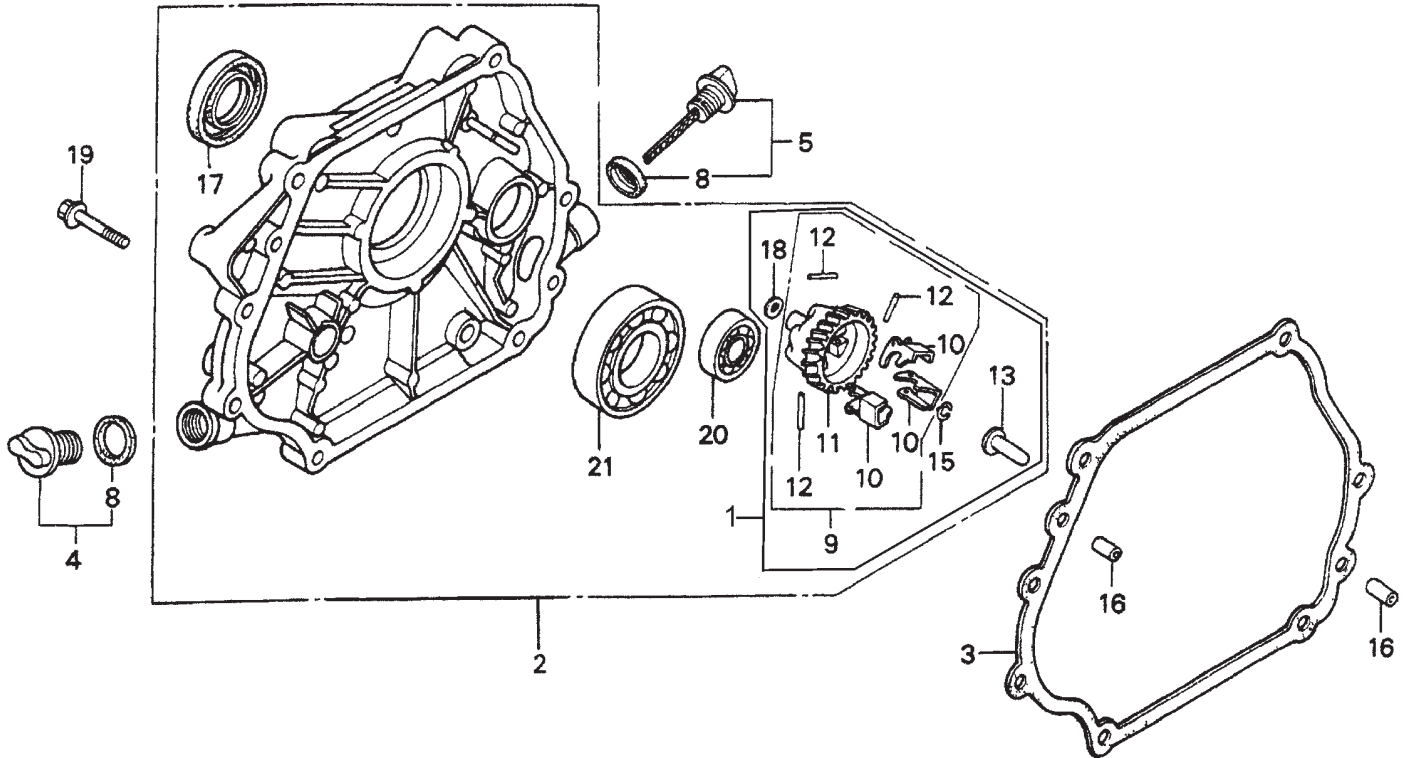
# HONDA GX390K1QA2/QAE2 — PISTON ASSY.

PISTON ASSY.

<u>NO.</u>	<u>PART NO.</u>	<u>PART NAME</u>	<u>QTY.</u>	<u>REMARKS</u>
1	13010ZF6003	RING SET, PISTON (STD.)	1	
1	13011ZF6003	RING SET, PISTON (OS 0.25), OPT.	1	
1	13012ZF6003	RING SET, PISTON (OS 0.50), OPT.	1	
1	13012ZF6005	RING SET, PISTON (OS 0.50), OPT.	1	
1	13013ZF6003	RING SET, PISTON (0.75) NIPPON, OPT.	1	
2	13101ZF6W00	PISTON (STANDARD)	1	
2	13102ZF6W00	PISTON (OS 0.25), OPTIONAL	1	
2	13103ZF6W00	PISTON (OS 0.50), OPTIONAL	1	
2	13104ZF6W00	PISTON (0.75), OPTIONAL	1	
3	13111ZF6W00	PIN, PISTON	1	
4	13200ZE3010	ROD ASSEMBLY, CONNECTING (STD.) .....	1	INCLUDES ITEMS W/* ..... USE UP TO ENGINE SN 3177434
4	13200ZE3020	ROD ASSEMBLY, CONNECTING (STD.) .....	1	INCLUDES ITEMS W/* ..... USE FROM SN 3177435
4	13200ZE3315	ROD ASSY., CONNECTING (US 0.25), OPT. .	1	INCLUDES ITEMS W/*
5*	90001ZE8000	BOLT, CONNECTING ROD	2	
6	90601ZE3000	CLIP, PISTON PIN 20MM	2	

# HONDA GX390K1QA2/QAE2 — CRANKCASE COVER ASSY.

CRANKCASE COVER ASSY.



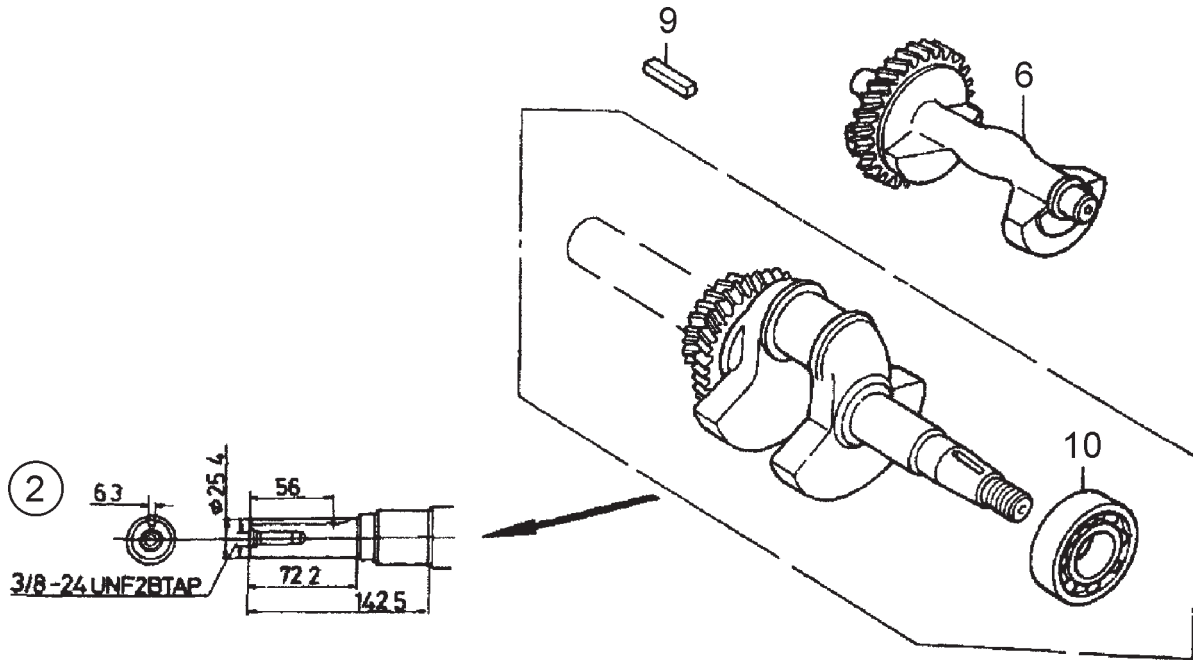
# HONDA GX390K1QA2/QAE2 — CRANKCASE COVER ASSY.

## CRANKCASE COVER ASSY.

<u>NO.</u>	<u>PART NO.</u>	<u>PART NAME</u>	<u>QTY.</u>	<u>REMARKS</u>
1*	06165ZE3000	GOVERNOR KIT (OPIONAL) .....	1 .....	INCLUDES ITEMS W/#
2	11300ZE3602	COVER ASSY., CRANKCASE (Q TYPE) .....	1 .....	INCLUDES ITEMS W/*
3	11381ZE3801	GASKET, CASE COVER	1	
4	15600ZG4003	CAP ASSEMBLY, OIL FILLER .....	1 .....	INCLUDES ITEMS W/%
5	15600735003	CAP ASSEMBLY, OIL FILLER .....	1 .....	INCLUDES ITEMS W/%
8%	15625ZE1003	GASKET, OIL FILLER CAP	2	
9*#	16510ZE3000	GOVERNOR ASSEMBLY .....	1 .....	INCLUDES ITEMS W/+
10*#+	16511ZE8000	WEIGHT, GOVERNOR	3	
11*#+	16512ZE3000	HOLDER, GOVERNOR WEIGHT	1	
12*#+	16513ZE2000	PIN, GOVERNOR WEIGHT	3	
13*#	16531ZE2000	SLIDER, GOVERNOR	1	
15*#	90602ZE1000	CLIP, GOVERNOR HOLDER	1	
16	90701HC4000	PIN, DOWEL 8X12	2	
17*	91201ZE3004	OIL SEAL 36X52X8	1	
18*#	9410106800	WASHER, PLAIN 6MM	1	
19	957010804000	BOLT, FLANGE 8X40	7	
20*	961006202000	BEARING, RADIAL BALL 6202	1	
21*	961006207000	BEARING, RADIAL BALL 6207	1	

# HONDA GX390K1QA2/QAE2 — CRANKSHAFT ASSY.

CRANKSHAFT ASSY.



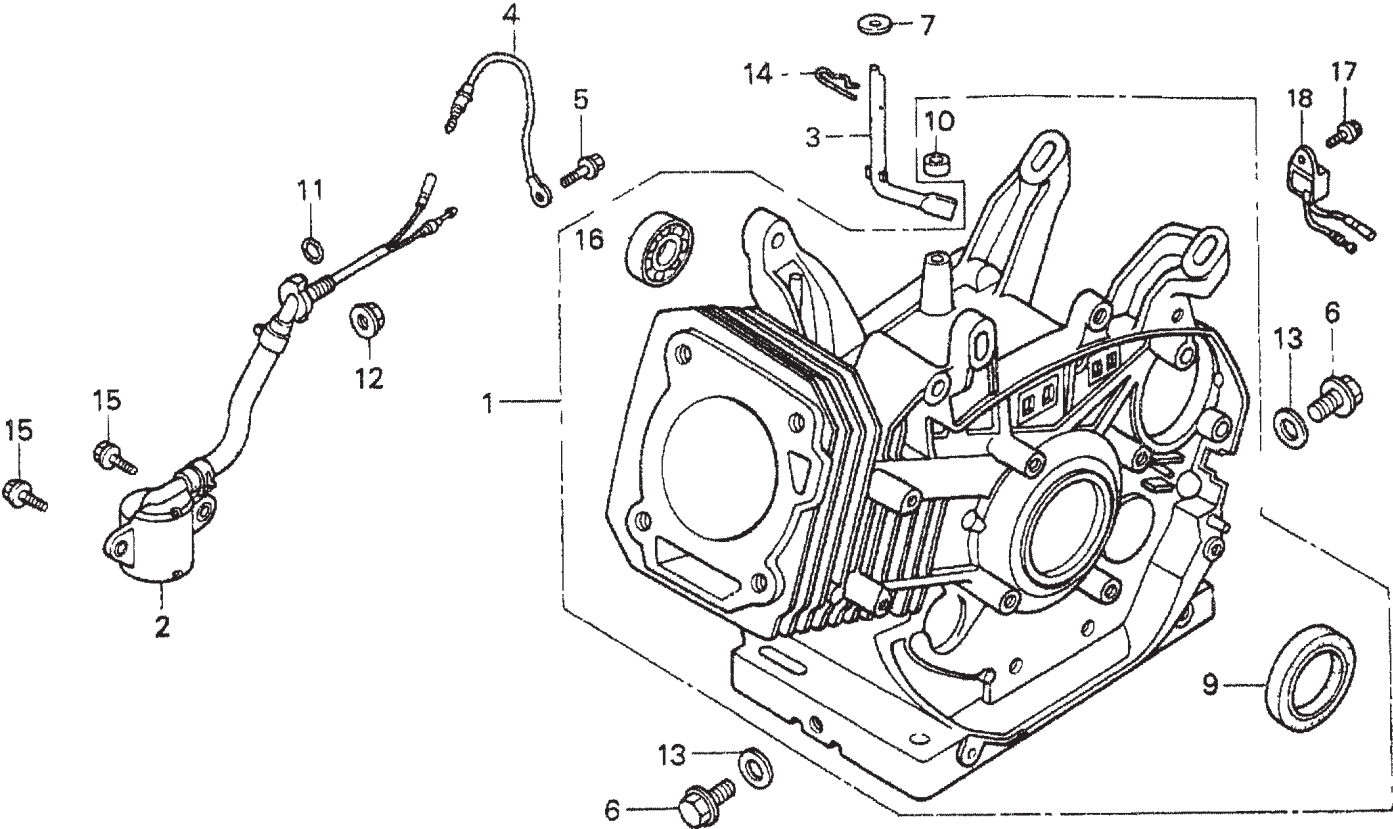
# HONDA GX390K1QA2/QAE2 — CRANKSHAFT ASSY.

## CRANKSHAFT ASSY.

<u>NO.</u>	<u>PART NO.</u>	<u>PART NAME</u>	<u>QTY.</u>	<u>REMARKS</u>
2	13310ZF6W10	CRANKSHAFT, Q-TYPE .....	1 .....	INCLUDES ITEMS W/*
6	13351ZE3010	WEIGHT, BALANCER	1	
9	90745ZE2600	KEY 6.3X6.3X43	1	
10*	91001ZF6003	BEARING, RADIAL BALL 6207S	1	

# HONDA GX390K1QA2/QAE2 — CYLINDER BARREL ASSY.

CYLINDER BARREL ASSY.



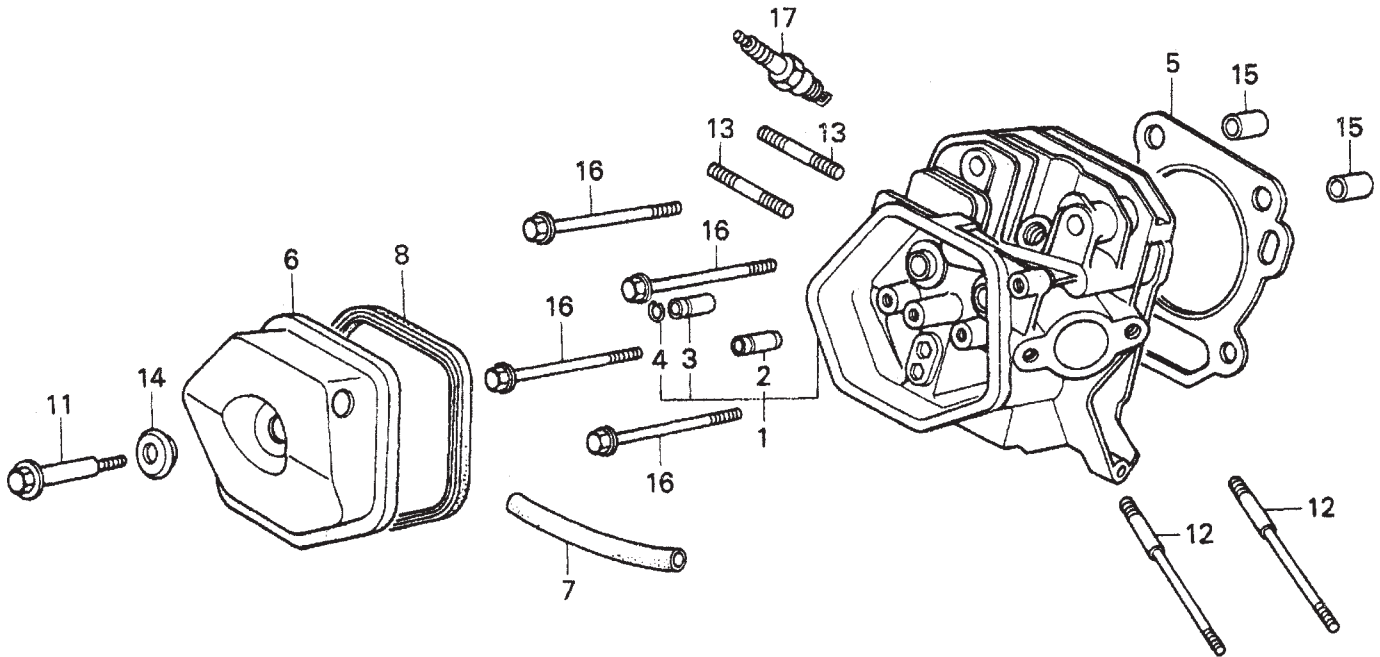
# HONDA GX390K1QA2/QAE2 — CYLINDER BARREL ASSY.

## CYLINDER BARREL ASSY.

<u>NO.</u>	<u>PART NO.</u>	<u>PART NAME</u>	<u>QTY.</u>	<u>REMARKS</u>
1	12000ZF6W12	CYLINDER ASSEMBLY, ALERT OIL .....	1 .....	RECOIL START ONLY INCLUDES ITEMS W/* USE UP TO ENGINE SN 3020570
1	12000ZF6W13	CYLINDER ASSEMBLY, ALERT OIL .....	1 .....	RECOIL START ONLY INCLUDES ITEMS W/* USE FROM ENGINE SN 3020571
1	12000ZF6405	CYLINDER ASSEMBLY, ALERT OIL .....	1 .....	ELECTRIC START ONLY INCLUDES ITEMS W/* USE UP TO ENGINE SN 3020570
1	12000ZF6L04	CYLINDER ASSEMBLY, ALERT OIL .....	1 .....	ELECTRIC START ONLY INCLUDES ITEMS W/* USE FROM ENGINE SN 3020571
2	15510ZE2043	SWITCH ASSEMBLY, OIL LEVEL .....	1 .....	REPLACES 15510ZE2033
3	16541ZE3010	SHAFT, GOVERNOR ARM	1	
4	32197ZE2003	SUB-HARNESS .....	1 .....	USE UP TO ENGINE SN 2334667
5	90013883000	BOLT, FLANGE 6X12 (CT200) .....	1 .....	USE UP TO ENGINE SN 2334667
6	90131896650	BOLT, DRAIN PLUG	2	
7	90446KE1000	WASHER 8.2X17X0.8	1	
9*	91201ZE3004	OIL SEAL 35X52X8	1	
10*	91201ZE9003	OIL SEAL 8X14X5	1	
11	91353671003	O- RING 13.5X1.5 (ARAI)	1	
12	9405010000	NUT, FLANGE 10mm.	1	
13	9410912000	WASHER, DRAIN PLUG 12mm.	2	
14	9425110000	PIN,LOCK 10mm.	1	
15	957010601200	BOLT, FLANGE 6X12	2	
16*	961006202000	BEARING, RADIAL BALL 6202	1	
17	90013883000	BOLT, FLANGE 6X12 (CT200) .....	1 .....	USE FROM ENGINE SN 2468555
18	34150ZH7003	ALERT UNIT, OIL .....	1 .....	USE FROM ENGINE SN 2468555

# HONDA GX390K1QA2/QAE2 — CYLINDER HEAD ASSY.

CYLINDER HEAD ASSY.





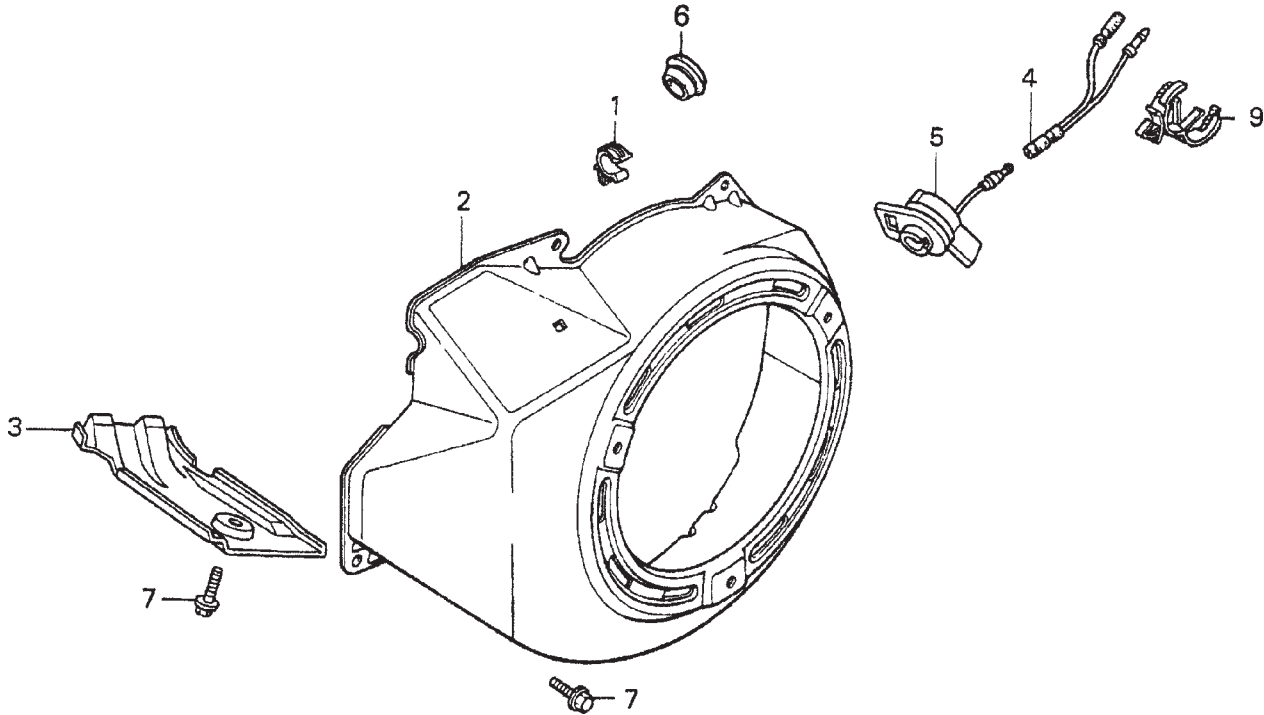
# HONDA GX390K1QA2/QAE2 — CYLINDER HEAD ASSY.

## CYLINDER HEAD ASSY.

<u>NO.</u>	<u>PART NO.</u>	<u>PART NAME</u>	<u>QTY.</u>	<u>REMARKS</u>
1	12200ZF6W01	CYLINDER HEAD .....	1	INCLUDES ITEMS W/*
2*	12204ZE2306	GUIDE, VALVE OS (OPTIONAL)	1	
3*	12205ZE2305	GUIDE, EX. VALVE OS (OPTIONAL)	1	
4*	12216ZE2300	CLIP, VALVE GUIDE	1	
5	12251ZF6W00	GASKET, CYLINDER HEAD	1	
6	12310ZE2020	COVER, HEAD .....	1	USE FROM ENGINE SN 2378737
6	12310ZE3791	COVER, HEAD .....	1	USE UP TO ENGINE SN 2378736
7	12315ZE3840	TUBE, BREATHER .....	1	USE FROM ENGINE SN 2368042
7	950051100130M	BULK HOSE, VACUUM (11X1000) (11X105) ...	1	USE UP TO ENGINE SN 2368041
8	12391ZE2020	GASKET, CYLINDER HEAD COVER	1	
11	90014ZE2000	BOLT, HEAD COVER	1	
12	90042ZE8000	BOLT, STUD 8X131.5	2	
13	92900080320E	BOLT 2, STUD 8X32 .....	2	REPLACES 90047ZE2000
14	90441ZE2010	WASHER, HEAD COVER	1	
15	9430112200	PIN A, DOWEL 12X20	2	
16	957011008000	BOLT, FLANGE 10X80	4	
16	957251008000	BOLT, FLANGE 10X80	4	
17	9807955846	SPARK PLUG BPR5ES (NGK), OPT.	1	
17	9807955855	SPARK PLUG W16EPR-U (DENSO), OPT.	1	
17	9807956846	SPARK PLUG BPR6ES (NGK)	1	
17	9807956855	SPARK PLUG W20EPR-U (DENSO)	1	

# HONDA GX390K1QA2/QAE2 — FAN COVER ASSY.

FAN COVER ASSY.



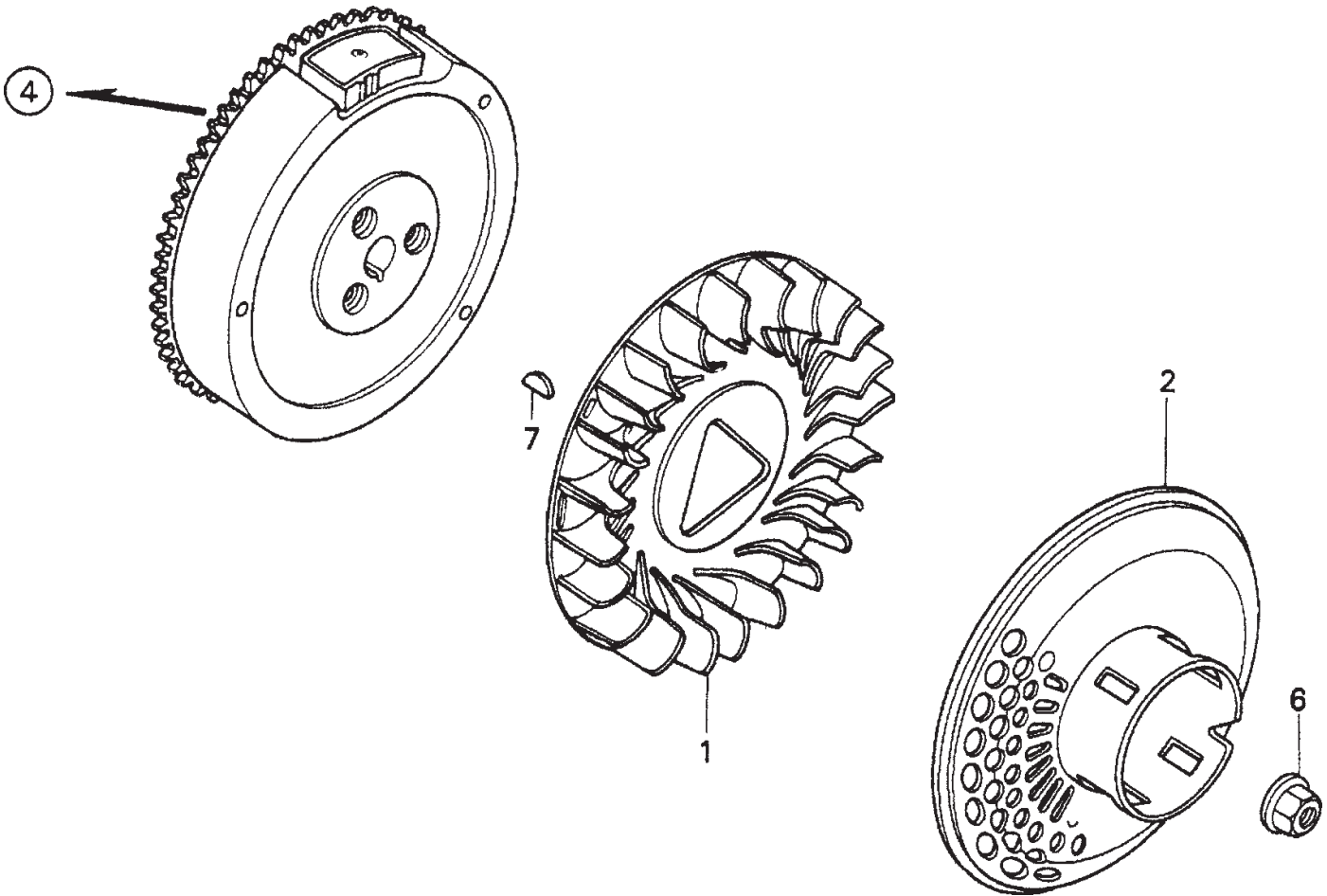
# HONDA GX390K1QA2/QAE2 — FAN COVER ASSY.

## FAN COVER ASSY.

<u>NO.</u>	<u>PART NO.</u>	<u>PART NAME</u>	<u>QTY.</u>	<u>REMARKS</u>
1	16731ZE2003	CLIP, TUBE	1	
2	19610ZE3010ZA	COVER, FAN *NH1*, RED	1	
3	19631ZE3W00	SHROUD	1	
4	32197ZH8003	SUB-HARNESS .....	1 .....	RECOIL START MODELS ONLY USE UP TO ENGINE SN 2334667
5	36100ZE1015	SWITCH ASSEMBLY, ENGINE STOP .....	1 .....	RECOIL START MODELS ONLY USE UP TO ENGINE SN 2334667
5	36100ZH7003	SWITCH ASSEMBLY, ENGINE STOP .....	1 .....	RECOIL START MODELS ONLY USE FROM ENGINE SN 2334668
6	81329567020	GROMMET DRAIN HOLE .....	1 .....	ELECTRIC START MODEL ONLY
7	90013883000	BOLT, FLANGE 6X12 (CT200)	6	
9	90684ZA0601	CLIP, WIRE HARNESS	1	RECOIL START MODELS ONLY

# HONDA GX390K1QA2/QAE2 — FLYWHEEL ASSY.

FLYWHEEL ASSY.



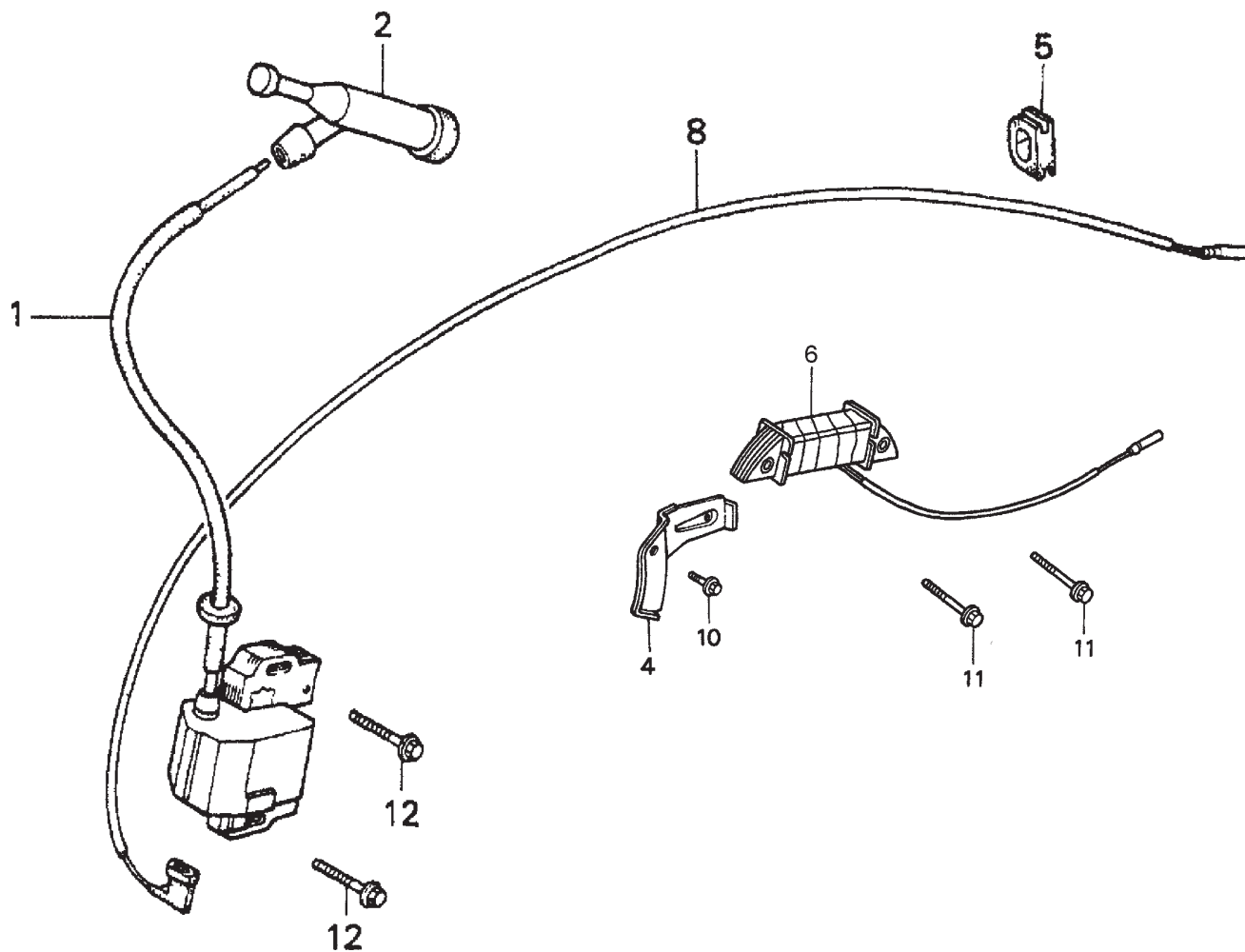
# HONDA GX390K1QA2/QE2 — FLYWHEEL ASSY.

FLYWHEEL ASSY.

<u>NO.</u>	<u>PART NO.</u>	<u>PART NAME</u>	<u>QTY.</u>	<u>REMARKS</u>
1	19511ZE3000	FAN, COOLING	1	
2	28450ZE3W11	PULLEY, STARTER (SCREEN GRID)	1	
4	31100ZE3701	FLYWHEEL .....	1	RECOIL START ONLY
4	31100ZE3W01	FLYWHEEL (4-POLE) .....	1	ELECTRIC START ONLY
6	90201ZE3V00	NUT, SPECIAL 16MM (1) .....	1	USE FROM ENGINE SN 2263435
6	90201ZE3790	NUT, SPECIAL 16MM .....	1	USE UP TO ENGINE SN 2263434
7	90741ZE2000	KEY, SPECIAL WOODRUFF 25X18	1	

# HONDA GX390K1QA2/QAE2 — IGNITION COIL ASSY.

IGNITION COIL ASSY.



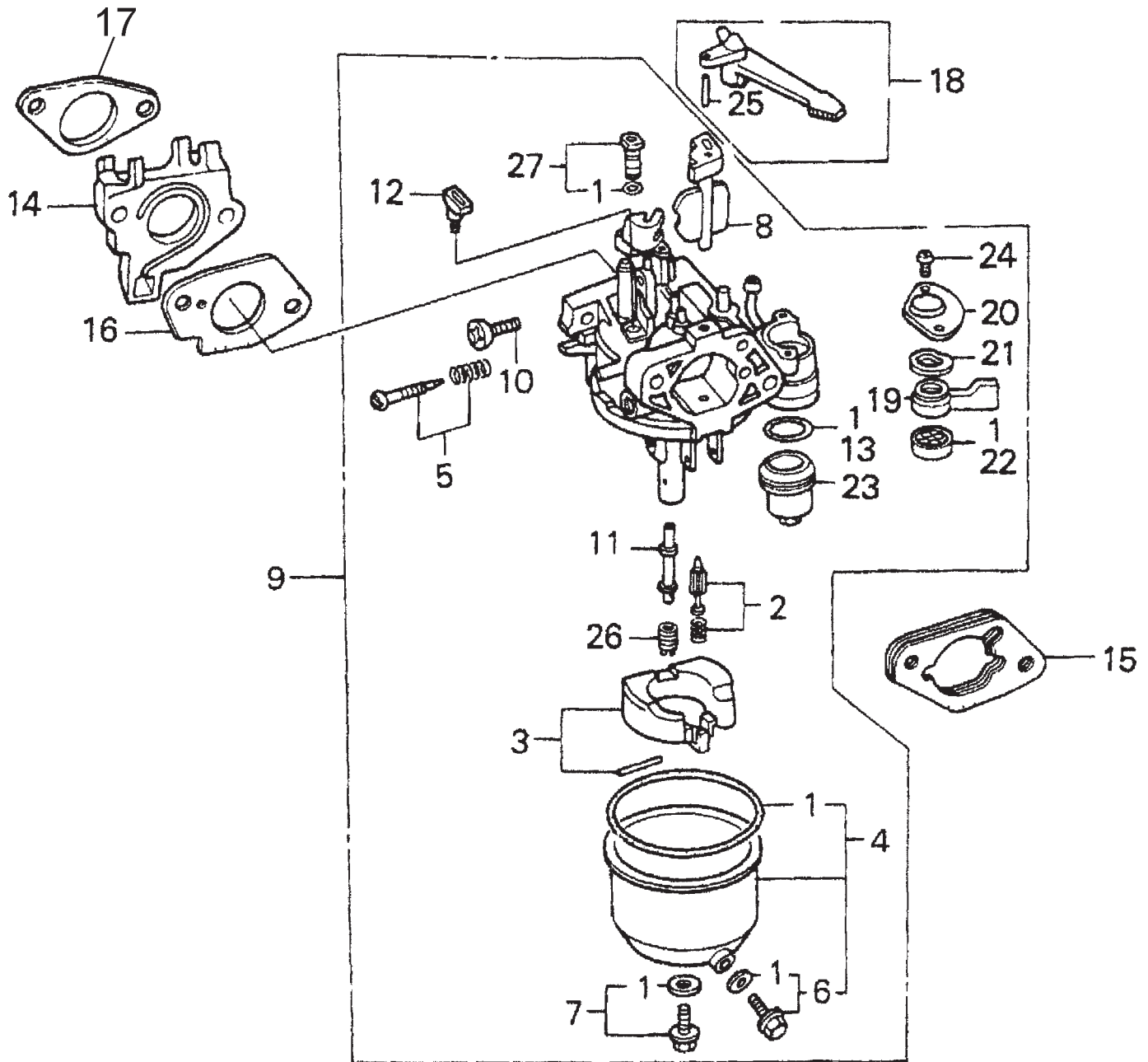
# HONDA GX390K1QA2/QAE2 — IGNITION COIL ASSY.

## IGNITION COIL ASSY.

<u>NO.</u>	<u>PART NO.</u>	<u>PART NAME</u>	<u>QTY.</u>	<u>REMARKS</u>
1	30500ZF6W02	COIL ASSEMBLY, IGNITION .....	1 .....	REPLACES 305007E2023
2	30700ZE1013	CAP ASSEMBLY, NOISE SUPPRESSOR	1	
4	31511ZE3000	CLAMP, WIRE .....	1 .....	ELECTRIC START MODEL ONLY
5	31512ZE2000	GROMMET, WIRE	1	
6	31630ZE2841	COIL ASSEMBLY CHARGE (3A) .....	1 .....	ELECTRIC START MODEL ONLY
8	36101ZE2701	WIRE, STOP SWITCH 430MM	1	
10	90013883000	BOLT, FLANGE (6X12) .....	2 .....	ELECTRIC START MODEL ONLY
11	90012888000	BOLT, FLANGE (6X40) .....	2 .....	ELECTRIC START MODEL ONLY
12	90015883000	BOLT, FLANGE 6X28	2	

# HONDA GX390K1QA2/QAE2 — CARBURETOR ASSY.

CARBURETOR ASSY.





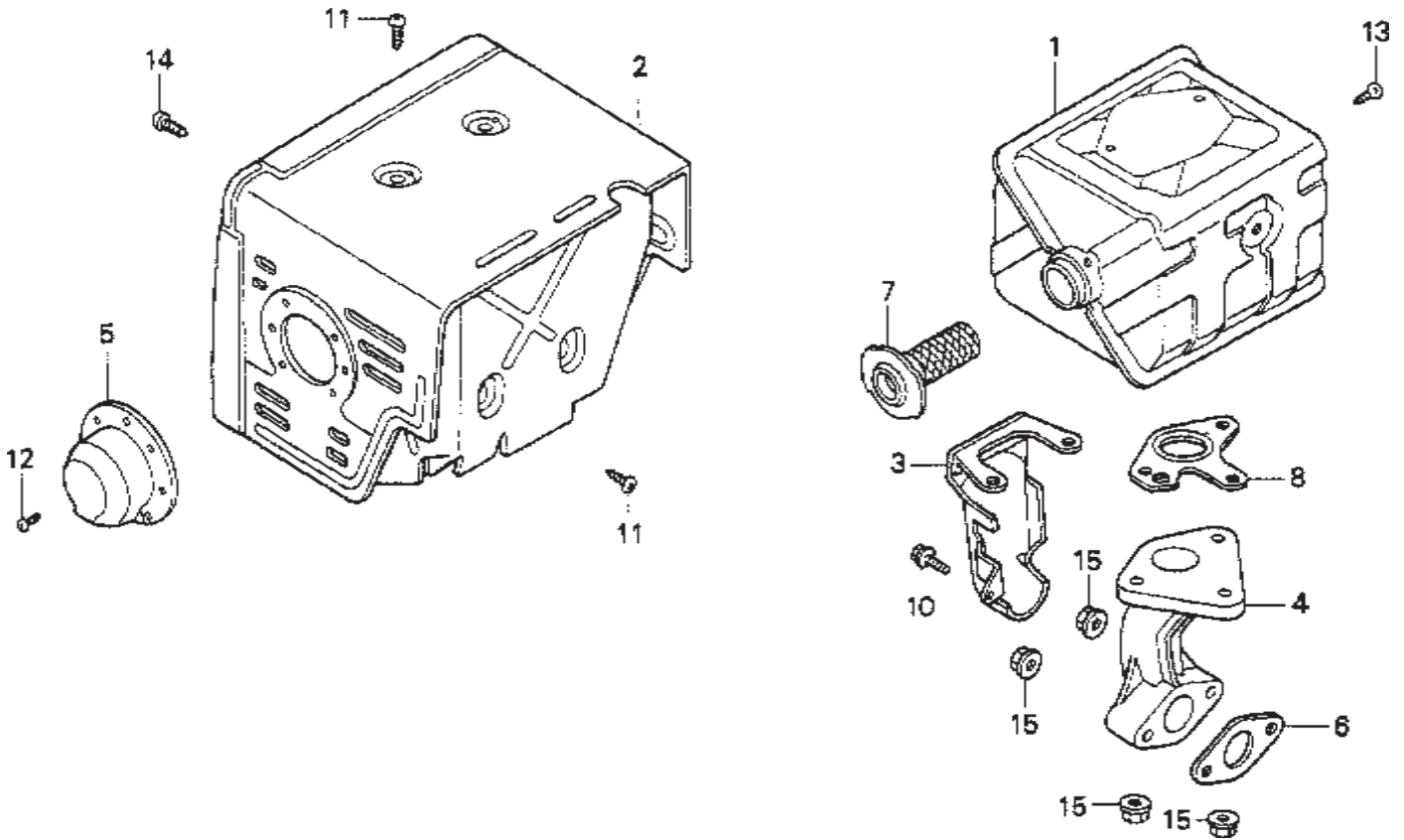
# HONDA GX390K1QA2/QAE2 — CARBURETOR ASSY.

## CARBURETOR ASSY.

<u>NO.</u>	<u>PART NO.</u>	<u>PART NAME</u>	<u>QTY.</u>	<u>REMARKS</u>
1#%	16010ZE2812	GASKET SET	1	
2*	16011ZA0931	VALVE SET, FLOAT	1	
3*	16013ZA0931	FLOAT SET	1	
4*	16015ZE2005	CHAMBER SET, FLOAT .....	1	INCLUDES ITEMS W/% USE UP TO ENGINE SN BE85B A
4*	16015ZE8005	CHAMBER SET, FLOAT .....	1	INCLUDES ITEMS W/% USE FROM ENGINE SN BE85B B
5*	16016ZH7W01	SCREW SET	1	
6*%	16024ZE1811	SCREW SET, DRAIN	1	INCLUDES ITEMS W/#
7*	16028ZE0005	SCREW SET B	1	INCLUDES ITEMS W/#
8*	16044ZE3W20	CHOKE SET	1	
9	16100ZF6V01	CARBURETOR ASSEMBLY, BE85B B .....	1	INCLUDES ITEMS W/*
10*	16124ZE0005	SCREW, THROTTLE STOP	1	
11*	16166ZF6V00	NOZZLE, MAIN	1	
12*	16172ZE3W10	COLLAR, SET	1	
13*	16173001004	GASKET, FUEL STRAINER CUP	1	
14	16211ZF6000	INSULATOR, CARBURETOR	1	
15	16220ZA0702	SPACER, CARBURETOR	1	
16	16221ZF6800	GASKET, CARBURETOR	1	
17	16223ZE3W00	GASKET, INSULATOR	1	
18	16610ZE1000	LEVER, CHOKE (STANDARD) .....	1	INCLUDES ITEMS W/+
19*	16953ZE1406	LEVER, VALVE .....	1	USE UP TO ENGINE SN BE85B A
19*	16953ZE1812	LEVER, VALVE .....	1	USE FROM ENIGNE SN BE85B B
20*	16954ZE1811	PLATE, LEVER SETTING	1	
20*	16954ZE1812	PLATE, LEVER SETTING	1	
21*	16956ZE1811	SPRING, VALVE LEVER	1	
22*	16957ZE1812	GASKET, VALVE	1	
23*	16967ZE0811	CUP, FUEL STRAINER	1	
24*	93500030060H	SCREW, PAN 3X6 .....	2	USE FROM ENGINE SN BE85C B
24*	93500030080G	SCREW, PAN 3X8 .....	2	USE UP TO ENGINE SN BE85C A
25+	9430520122	PIN, SPRING 2X12	1	
26	99101ZH80880	JET, MAIN #88 (OPTIONAL)	1	
26	99101ZH80900	JET, MAIN #90 (OPTIONAL)	1	
26*	99101ZH80920	JET, MAIN #92	1	
27*	99204ZA00450	JET SET, PILOT #45 .....	1	INCLUDES ITEMS W/#

# HONDA GX390K1QA2/QAE2 — MUFFLER ASSY.

MUFFLER ASSY.



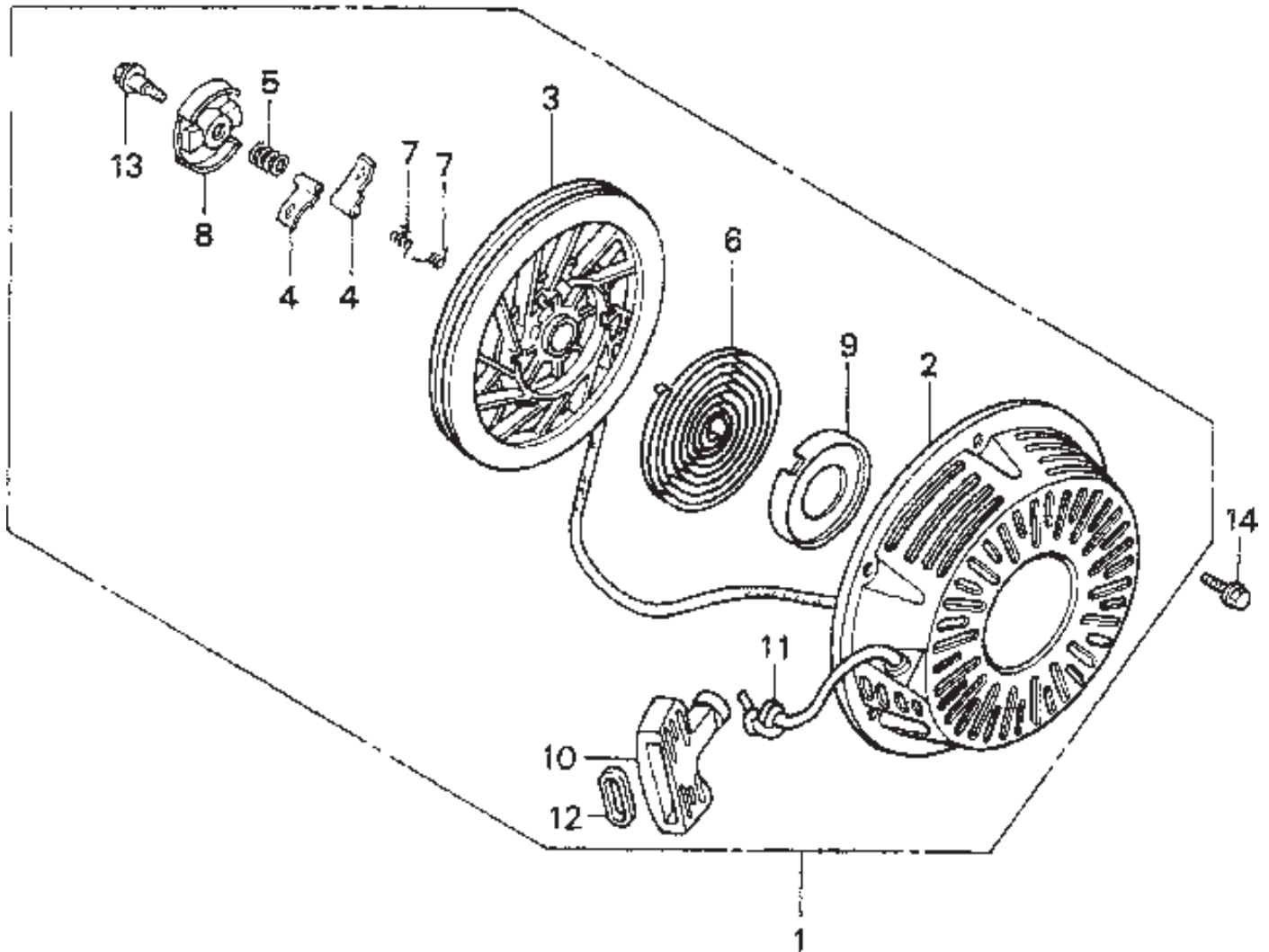
# HONDA GX390K1QA2/QAE2 — MUFFLER ASSY.

## MUFFLER ASSY.

<u>NO.</u>	<u>PART NO.</u>	<u>PART NAME</u>	<u>QTY.</u>	<u>REMARKS</u>
1	18310ZE2W51	MUFFLER 100DB (SILENT) .....	1 .....	USE UP TO ENGINE SN 2638033
1	18310ZE2W61	MUFFLER 100DB .....	1 .....	USE FROM ENGINE SN 2638034
2	18320ZE2W61	PROTECTOR, MUFFLER	1	
3	18323ZE3W40	PROTECTOR, EXHAUST PIPE	1	
4	18330ZE2W00	PIPE, EXHAUST	1	
5	18331ZE3810	CAP, MUFFLER	1	
6	18333ZK6Y00	GASKET, EXHAUST PIPE .....	1 .....	USE UP TO ENGINE SN 2275744
6	18333ZF6W01	GASKET, EXHAUST PIPE .....	1 .....	USE FROM ENGINE SN 2638034
7	18355ZE2W00	ARRESTER, SPARK	1	
8	18381ZE2W10	GASKET, MUFFLER (ARRESTER)	1	
10	90013883000	BOLT, FLANGE 6X12 (CT200)	1	
11	90050ZE1000	SCREW, TAPPING 5X8	4	
12	90055ZE1000	SCREW, TAPPING 4X6	3	
13	90055ZE1000	SCREW, TAPPING 4X6	1	
14	90006ZE2000	SCREW, TAPPING 6X10	1	
15	9405008000	NUT, FLANGE 8MM	5	

# HONDA GX390K1QA2/QAE2 — RECOIL STARTER ASSY.

RECOIL STARTER ASSY. - RECOIL ONLY ENGINE



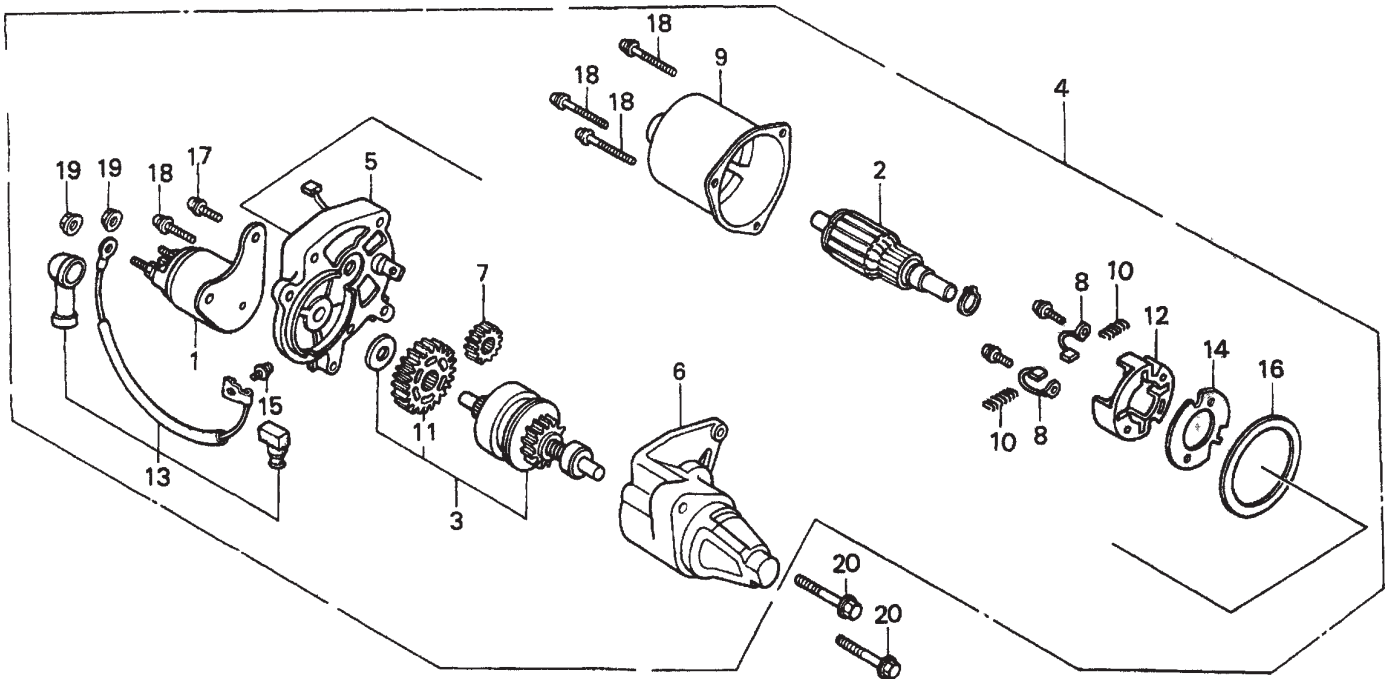
# HONDA GX390K1QA2/QAE2 — RECOIL STARTER ASSY.

RECOIL STARTER ASSY. - RECOIL ONLY ENGINE

<b>NO.</b>	<b>PART NO.</b>	<b>PART NAME</b>	<b>QTY.</b>	<b>REMARKS</b>
1	28400ZE3W01ZA	STARTER ASSY., RECOIL *NH1*, RED. ....	1 .....	INCLUDES ITEMS W/*
2*	28410ZE3W01ZA	CASE, RECOIL STARTER *NH1*, RED	1	
3*	28421ZE3W01	PULLEY, RECOIL STARTER	1	
4*	28422ZE2W01	RATCHET, STARTER	2	
5*	28441ZE2W01	SPRING, FRICTION	1	
6*	28442ZE2W01	SPRING, STARTER RETURN	1	
7*	28443ZE2W01	SPRING, RATCHET	2	
8*	28444ZE2W01	RETAINER, SPRING	1	
9*	28445ZE2W01	HOLDER, SPRING	1	
10*	28461ZE2W02	GRIP, STARTER	1	
11*	28462ZV7003	ROPE, RECOIL STARTER	1	
12*	28469ZE2W01	GRIP, REINFORCEMENT .....	1 .....	USE UP TO ENGINE SN 2584635
13*	90004ZE2W01	SCREW, CENTER	1	
14	90008ZE2003	BOLT, FLANGE 6X10	3	

# HONDA GX390K1QAE2 — STARTER MOTOR ASSY.

STARTER MOTOR ASSY. - ELECTRIC START ONLY



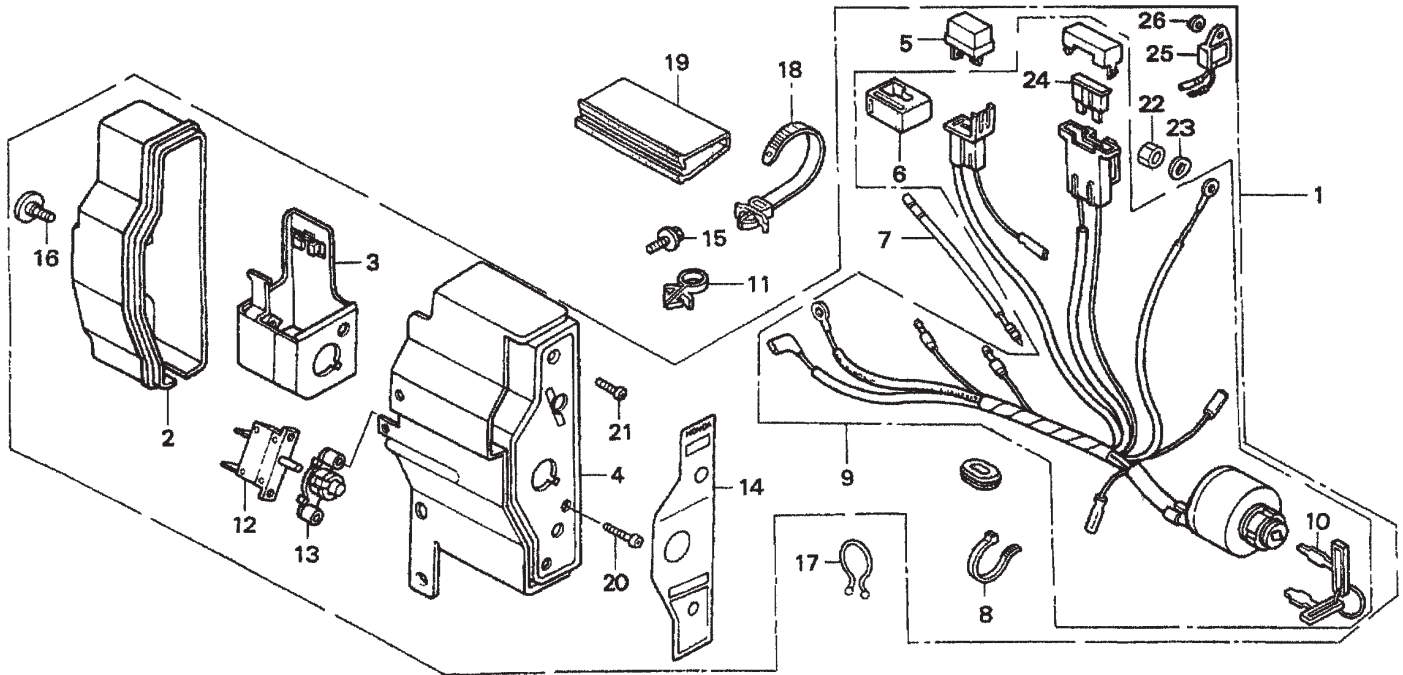
# HONDA GX390K1QAE2 — STARTER MOTOR ASSY.

## STARTER MOTOR ASSY. - ELECTRIC START ONLY

<u>NO.</u>	<u>PART NO.</u>	<u>PART NAME</u>	<u>QTY.</u>	<u>REMARKS</u>
1*	31204ZA0003	CONTACTOR ASSY.	1	
2*	31206ZE3003	ARMATURE	1	
3*	31207ZE3003	CLUTCH OVERRUNNING	1	
4	31210ZE3013	MOTOR UNIT STARTER .....	1	INCLUDES ITEMS W/*
5*	31211ZE2003	BRACKET, CENTER	1	
6*	31212ZE3003	BRACKET, FRONT	1	
7*	31213ZE2003	GEAR, DRIVE PINION	1	
8*	31215ZE2003	BRUSH	2	
9*	31218ZE3003	YOKE	1	
10*	31219ZE2003	SPRING, BRUSH RETURN	4	
11*	31222ZE3003	GEAR, REDUCTION	1	
12*	31231ZE2003	HOLDER, BRUSH	1	
13*	31232ZE3003	WIRE, WATER COVER	1	
14*	31233ZE2003	INSULATOR	1	
15*	90110ZE2003	SCREW-WASHER (4X6)	1	
16*	91601ZE2003	GASKET	1	
17*	90007ZE2003	BOLT-WASHER (5X14)	2	
17*	938920501408	BOLT-WASHER (5X14)	2	
19*	9407006080	NUT-WASHER (6MM)	2	
20	957010803508	BOLT, FLANGE (8X35)	2	

# HONDA GX390K1QAE2 — CONTROL BOX ASSY.

CONTROL BOX ASSY. - ELECTRIC START ONLY





# HONDA GX390K1QAE2 — CONTROL BOX ASSY.

## CONTROL BOX ASSY. - ELECTRIC START ONLY

<u>NO.</u>	<u>PART NO.</u>	<u>PART NAME</u>	<u>QTY.</u>	<u>REMARKS</u>
1	31610ZE3W23ZB	CONTROL BOX ASSY. (EXT. ALERT) .....	1	INCLUDES ITEMS W/*
2*	31612ZE2003	CASE, CONTROL	1	
3*	31614ZE2003	BRACKET, CASE MOUNTING	1	
4*	31615ZE3003ZB	PANEL, CONTROL	1	
5*	31700124003	RECTIFIER, SILICON ASSY.	1	
6*#	32127738700	SUSPENSION, CONNECTOR	1	
7*	32197ZE1003	SUB-HARNESS	1	
8*	32902892003	BAND	1	
9*	35100ZE2842	SWITCH, COMBINATION ASSY. ....	1	INCLUDES ITEMS W/#
10*#	35111880003	KEY	2	
11	36103ZE1000	HOLDER, STOP SWITCH WIRE	1	
12*	38240ZE2840	PROTECTOR, CIRCUIT 3.5A	1	
13*	38250ZA8701	LENS, PROTECTOR ASSY.	1	
14*	87529ZE2811	PANEL, CONTROL BOX (EXTERNAL)	1	
15	90013883000	BOLT, FLANGE (6x12)	2	
16*	90630MA6010	SCREW, SPECIAL (6x12)	1	
17	90630751000	CLIP, PURSE LOCK	1	
18	90672SA0003	STRAP, CABLE 118mm	1	
19	91406ZE2003	TUBE, FASTENER	1	
20*	93500030120H	SCREW, PAN (3x12)	2	
21*	93500040120H	SCREW, PAN (4x12)	1	
22*	94001043900S	NUT, HEX (4mm)	2	
23*	9411104800	WASHER, SPRING (4mm)	1	
24*#	9820031500	FUSE, BLADE 15A	1	
25*	34150ZH7003	ALERT UNIT, OIL .....	1	USE FROM ENGINE S/N 2468555
26*	9410104800	WASHER, FLAT (4mm) .....	1	USE FROM ENGINE S/N 2468555

CONTROL ASSY.

**NO ART WORK**

# HONDA GX390K1QA2/QAE2 — CONTROL ASSY.

## CONTROL ASSY.

<u>NO.</u>	<u>PART NO.</u>	<u>PART NAME</u>	<u>QTY.</u>	<u>REMARKS</u>
2	16551ZE3000	ARM, GOVERNOR	1	
3	16555ZE3000	ROD, GOVERNOR	1	
4	16561ZE3000	SPRING, GOVERNOR	1	
5	16562ZE3000	SPRING, THROTTLE RETURN	1	
8	16570ZE3W20	CONTROL ASSEMBLY, REMOTE	1	
11	16571ZE3W00	LEVER, CONTROL	1	
12	16574ZE1000	SPRING, LEVER	1	
13	1675ZE2W00	WASHER, CONTROL LEVER	1	
14	16576891000	HOLDER, CABLE	1	
15	16578ZE1000	SPACER, CONTROL LEVER	1	
1?	16581ZE3W00	BASE, CONTROL	1	
19	16584883300	SPRING, CONTROL ADJUSTING	1	
20	16592883310	SPRING, CABLE RETURN	1	
22	90013883000	BOLT, FLANGE (6X12) (CT200)	2	
23	90015ZE5010	BOLT, GOVERNOR ARM	1	
24	90114SA0000	NUT, SELF-LOCK (6MM)	1	
27	93500050320A	SCREW, PAN (5X32)	1	
30	93500050160A	SCREW, PAN (5X16)	1	
31	9405006000	NUT, FLANGE (6MM)	1	

GASKET KIT ASSY.

**NO ART WORK**

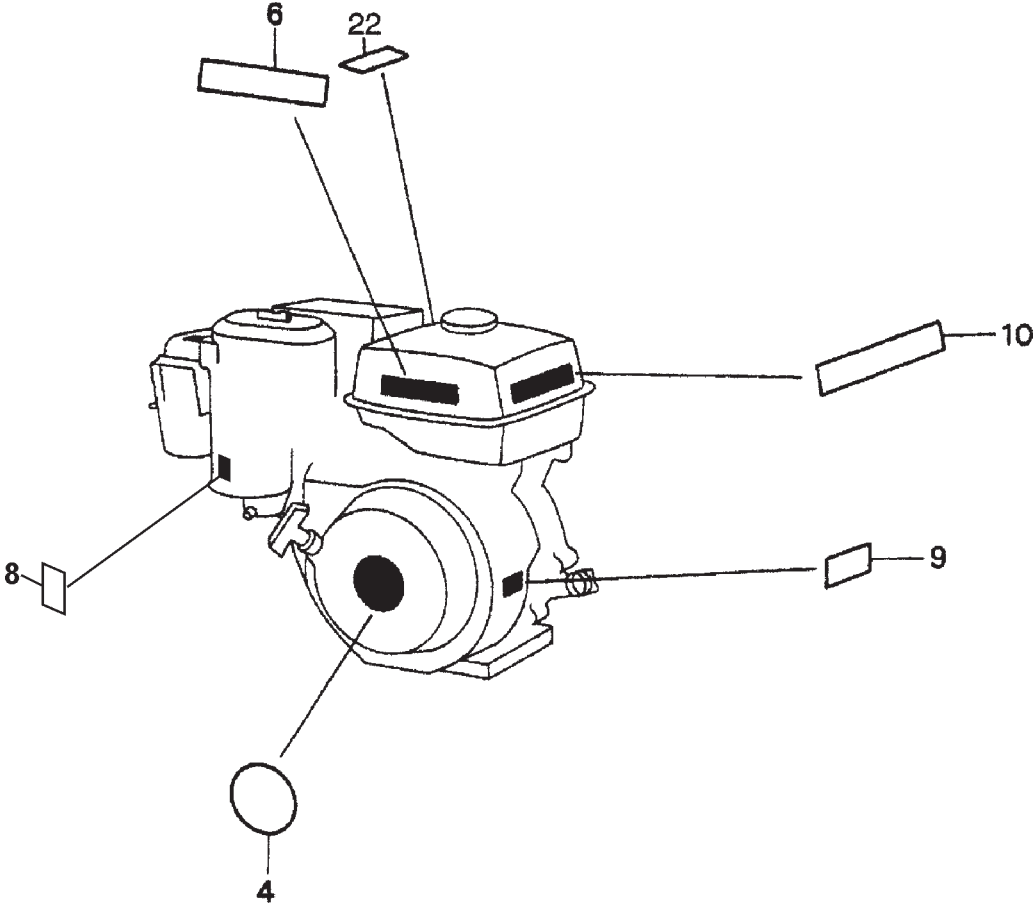
# HONDA GX390K1QA2/QAE2 — GASKET KIT ASSY.

GASKET KIT ASSY.

<u>NO.</u>	<u>PART NO.</u>	<u>PART NAME</u>	<u>QTY.</u>	<u>REMARKS</u>
1*	11381ZE3800	GASKET, CASE COVER	1	
3*	12251ZF6W00	GASKET, CYLINDER HEAD	1	
4*	12391ZE2020	GASKET, CYLINDER HEAD COVER	1	
5*	16221ZF6800	GASKET, CARBURETOR	1	
6*	16223ZE3W00	GASKET, INSULATOR	1	
7*	18333ZF6W01	GASKET, EXHAUST PIPE	1	
8*	18381ZE2W10	GASKET, MUFFLER (ARRESTER)	1	
9	06111ZF6407	GASKET KIT .....	1	INCLUDES ITEMS W/*

# HONDA GX390K1QA2/QAE2 — LABELS ASSY.

LABELS ASSY.



# HONDA GX390K1QA2/QAE2 — LABELS ASSY.

## LABELS ASSY.

<u>NO.</u>	<u>PART NO.</u>	<u>PART NAME</u>	<u>QTY.</u>	<u>REMARKS</u>
4	87521ZF6W01	EMBLEM	1	
6	87522ZH9000	LABEL, CAUTION	1	
8	87528ZE2810	MARK, CHOKE (EXTERNAL) .....	1	ELECTRIC START ONLY
9	87530ZF6W10	LABEL, SPECIFICATION .....	1	USE UP TO ENGINE SN 2172909
10	87532ZH8810	MARK, OIL ALERT (E)	1	
22	87576ZH7W00	LABEL, FUEL CAUTION	1	

# TERMS AND CONDITIONS OF SALE — PARTS

## PAYMENT TERMS

Terms of payment for parts are net 30 days.

## FREIGHT POLICY

All parts orders will be shipped collect or prepaid with the charges added to the invoice. All shipments are F.O.B. point of origin. Multiquip's responsibility ceases when a signed manifest has been obtained from the carrier, and any claim for shortage or damage must be settled between the consignee and the carrier.

## MINIMUM ORDER

The minimum charge for orders from Multiquip is \$15.00 net. Customers will be asked for instructions regarding handling of orders not meeting this requirement.

## RETURNED GOODS POLICY

Return shipments will be accepted and credit will be allowed, subject to the following provisions:

1. A Returned Material Authorization must be approved by Multiquip prior to shipment.
2. To obtain a Return Material Authorization, a list must be provided to Multiquip Parts Sales that defines item numbers, quantities, and descriptions of the items to be returned.
  - a. The parts numbers and descriptions must match the current parts price list.
  - b. The list must be typed or computer generated.
  - c. The list must state the reason(s) for the return.
  - d. The list must reference the sales order(s) or invoice(s) under which the items were originally purchased.
  - e. The list must include the name and phone number of the person requesting the RMA.
3. A copy of the Return Material Authorization must accompany the return shipment.
4. Freight is at the sender's expense. All parts must be returned freight prepaid to Multiquip's designated receiving point.

5. Parts must be in new and resalable condition, in the original Multiquip package (if any), and with Multiquip part numbers clearly marked.
6. The following items are not returnable:
  - a. Obsolete parts. (If an item is in the price book and shows as being replaced by another item, it is obsolete.)
  - b. Any parts with a limited shelf life (such as gaskets, seals, "O" rings, and other rubber parts) that were purchased more than six months prior to the return date.
  - c. Any line item with an extended dealer net price of less than \$5.00.
  - d. Special order items.
  - e. Electrical components.
  - f. Paint, chemicals, and lubricants.
  - g. Decals and paper products.
  - h. Items purchased in kits.
7. The sender will be notified of any material received that is not acceptable.
8. Such material will be held for five working days from notification, pending instructions. If a reply is not received within five days, the material will be returned to the sender at his expense.
9. Credit on returned parts will be issued at dealer net price at time of the original purchase, less a 15% restocking charge.
10. In cases where an item is accepted, for which the original purchase document can not be determined, the price will be based on the list price that was effective twelve months prior to the RMA date.
11. Credit issued will be applied to future purchases only.

## PRICING AND REBATES

Prices are subject to change without prior notice. Price changes are effective on a specific date and all orders received on or after that date will be billed at the revised price. Rebates for price declines and added charges for price increases will not be made for stock on hand at the time of any price change.

Multiquip reserves the right to quote and sell direct to Government agencies, and to Original Equipment Manufacturer accounts who use our products as integral parts of their own products.

## SPECIAL EXPEDITING SERVICE

A \$35.00 surcharge will be added to the invoice for special handling including bus shipments, insured parcel post or in cases where Multiquip must personally deliver the parts to the carrier.

## LIMITATIONS OF SELLER'S LIABILITY

Multiquip shall not be liable hereunder for damages in excess of the purchase price of the item with respect to which damages are claimed, and in no event shall Multiquip be liable for loss of profit or good will or for any other special, consequential or incidental damages.

## LIMITATION OF WARRANTIES

No warranties, express or implied, are made in connection with the sale of parts or trade accessories nor as to any engine not manufactured by Multiquip. Such warranties made in connection with the sale of new, complete units are made exclusively by a statement of warranty packaged with such units, and Multiquip neither assumes nor authorizes any person to assume for it any other obligation or liability whatever in connection with the sale of its products. Apart from such written statement of warranty, there are no warranties, express, implied or statutory, which extend beyond the description of the products on the face hereof.

Effective: February 22, 2006





# PARTS MANUAL

## HERE'S HOW TO GET HELP

PLEASE HAVE THE MODEL AND SERIAL  
NUMBER *ON-HAND* WHEN CALLING

### UNITED STATES

#### ***Multiquip Corporate Office***

18910 Wilmington Ave. Tel. (800) 421-1244  
Carson, CA 90746 Fax (800) 537-3927  
Contact: mq@multiquip.com

#### ***Mayco Parts***

800-306-2926 Fax: 800-672-7877  
310-537-3700 Fax: 310-637-3284

#### ***Service Department***

800-421-1244 Fax: 310-537-4259  
310-537-3700

#### ***MQ Parts Department***

800-427-1244 Fax: 800-672-7877  
310-537-3700 Fax: 310-637-3284

#### ***Warranty Department***

800-421-1244, Ext. 279 Fax: 310-537-1173  
310-537-3700, Ext. 279

#### ***Technical Assistance***

800-478-1244 Fax: 310-631-5032

### MEXICO

#### ***MQ Cipsa***

Carr. Fed. Mexico-Puebla KM 126.5 Tel: (52) 222-225-9900  
Momoxpan, Cholula, Puebla 72760 Mexico Fax: (52) 222-285-0420  
Contact: pmastretta@cipsa.com.mx

### CANADA

#### ***Multiquip***

4110 Industriel Boul. Tel: (450) 625-2244  
Laval, Quebec, Canada H7L 6V3 Fax: (450) 625-8664  
Contact: jmartin@multiquip.com

### UNITED KINGDOM

#### ***Multiquip (UK) Limited Head Office***

Hanover Mill, Fitzroy Street, Tel: 0161 339 2223  
Ashton-under-Lyne, Fax: 0161 339 3226  
Lancashire OL7 0TL  
Contact: sales@multiquip.co.uk

© COPYRIGHT 2009, MULTIQUIP INC.

Multiquip Inc, the MQ logo and the Whiteman logo are registered trademarks of Multiquip Inc. and may not be used, reproduced, or altered without written permission. All other trademarks are the property of their respective owners and used with permission.

This manual MUST accompany the equipment at all times. This manual is considered a permanent part of the equipment and should remain with the unit if resold.

The information and specifications included in this publication were in effect at the time of approval for printing. Illustrations, descriptions, references and technical data contained in this manual are for guidance only and may not be considered as binding. Multiquip Inc. reserves the right to discontinue or change specifications, design or the information published in this publication at any time without notice and without incurring any obligations.

Your Local Dealer is:



## Free Manuals Download Website

<http://myh66.com>

<http://usermanuals.us>

<http://www.somanuals.com>

<http://www.4manuals.cc>

<http://www.manual-lib.com>

<http://www.404manual.com>

<http://www.luxmanual.com>

<http://aubethermostatmanual.com>

Golf course search by state

<http://golfingnear.com>

Email search by domain

<http://emailbydomain.com>

Auto manuals search

<http://auto.somanuals.com>

TV manuals search

<http://tv.somanuals.com>