

OPERATION AND PARTS MANUAL



***WHITEMAN* SERIES**

MODEL WM45HCE

PLASTER/MORTAR MIXER

(Honda GX160UT1HX2 Gasoline Engine)

Revision #0 (02/04/13)

To find the latest revision of this
publication, visit our website at:
www.multiquip.com



THIS MANUAL MUST ACCOMPANY THE EQUIPMENT AT ALL TIMES.



WARNING

Gasoline engine exhaust and some of its constituents, and some dust created by power sanding, sawing, grinding, drilling and other construction activities contain chemicals known to cause cancer, birth defects and other reproductive harm.


Some examples of these chemicals are:

- Lead from lead-based paints
- Crystalline silica from bricks
- Cement and other masonry products
- Arsenic and chromium from chemically treated lumber

Your risk from these exposures varies, depending on how often you do this type of work. To reduce your exposure to these chemicals: **ALWAYS** work in a well-ventilated area, and work with approved safety equipment, such as dust masks that are specially designed to filter out microscopic particles.

SILICOSIS/RESPIRATORY WARNINGS

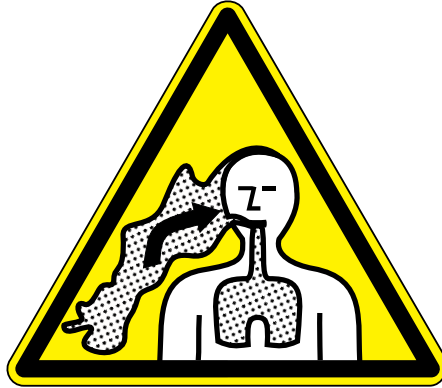
⚠ WARNING



SILICOSIS WARNING

Grinding/cutting/drilling of masonry, concrete, metal and other materials with silica in their composition may give off dust or mists containing crystalline silica. Silica is a basic component of sand, quartz, brick clay, granite and numerous other minerals and rocks. Repeated and/or substantial inhalation of airborne crystalline silica can cause serious or fatal respiratory diseases, including silicosis. In addition, California and some other authorities have listed respirable crystalline silica as a substance known to cause cancer. When cutting such materials, always follow the respiratory precautions mentioned above.

⚠ WARNING



RESPIRATORY HAZARDS

Grinding/cutting/drilling of masonry, concrete, metal and other materials can generate dust, mists and fumes containing chemicals known to cause serious or fatal injury or illness, such as respiratory disease, cancer, birth defects or other reproductive harm. If you are unfamiliar with the risks associated with the particular process and/or material being cut or the composition of the tool being used, review the material safety data sheet and/or consult your employer, the material manufacturer/supplier, governmental agencies such as OSHA and NIOSH and other sources on hazardous materials. California and some other authorities, for instance, have published lists of substances known to cause cancer, reproductive toxicity, or other harmful effects.

Control dust, mist and fumes at the source where possible. In this regard use good work practices and follow the recommendations of the manufacturers or suppliers, OSHA/NIOSH, and occupational and trade associations. Water should be used for dust suppression when wet cutting is feasible. When the hazards from inhalation of dust, mists and fumes cannot be eliminated, the operator and any bystanders should always wear a respirator approved by NIOSH/MSHA for the materials being used.

TABLE OF CONTENTS

WM45HCE PLASTER/MORTAR

MIXER

Fuel And Chemical Warnings	2
Silicosis/Respiratory Warnings	3
Table Of Contents	4
Parts Ordering Procedures	5
Safety Information	6-9
Specifications	10
Dimensions	11
General Information	12
Components	13
Basic Engine	14
Pre-Inspection (Engine/Mixer)	15
Initial Start-Up (Engine)	16-17
Maintenance (Engine)	18-19
Maintenance (Mixer)	20-21
Troubleshooting (Engine)	22
Troubleshooting (Engine/Mixer)	23
Explanation Of Code In Remarks Column	24
Suggested Spare Parts	25

Component Drawings

Nameplate and Decals	26-27
Steel Tub Assembly	28-29
Paddle Shaft Assembly	30-31
Frame Assembly	32-33
Engine Cover Assembly	34-35
Engine/Guard Assembly	36-37
Terms And Conditions Of Sale — Parts	38

NOTICE

Specifications and part numbers are subject to change without notice.

PARTS ORDERING PROCEDURES

Ordering parts has never been easier! Choose from three easy options:

Effective:
January 1st, 2006

www.multiquip.com



Order via Internet (Dealers Only):

Order parts on-line using Multiquip's SmartEquip website!

- View Parts Diagrams
- Order Parts
- Print Specification Information



If you have an MQ Account, to obtain a Username and Password, E-mail us at: parts@multiquip.com.

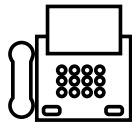
To obtain an MQ Account, contact your District Sales Manager for more information.

Goto www.multiquip.com and click on

Order Parts to log in and save!

Use the **internet** and qualify for a **5% Discount** on *Standard orders* for all orders which include complete part numbers.*

Note: Discounts Are Subject To Change



Order via Fax (Dealers Only):

All customers are welcome to order parts via Fax.

Domestic (US) Customers dial:
1-800-6-PARTS-7 (800-672-7877)

Fax your order in and qualify for a **2% Discount** on *Standard orders* for all orders which include complete part numbers.*

Note: Discounts Are Subject To Change



Order via Phone: Domestic (US) Dealers Call:
1-800-427-1244

Non-Dealer Customers:

Contact your local Multiquip Dealer for parts or call 800-427-1244 for help in locating a dealer near you.



International Customers should contact their local Multiquip Representatives for Parts Ordering information.

When ordering parts, please supply:

- | | |
|---|--|
| <input type="checkbox"/> Dealer Account Number | <input type="checkbox"/> Specify Preferred Method of Shipment: |
| <input type="checkbox"/> Dealer Name and Address | <input checked="" type="checkbox"/> UPS/Fed Ex <input checked="" type="checkbox"/> DHL |
| <input type="checkbox"/> Shipping Address (if different than billing address) | <input type="checkbox"/> Priority One <input checked="" type="checkbox"/> Truck |
| <input type="checkbox"/> Return Fax Number | <input type="checkbox"/> Ground |
| <input type="checkbox"/> Applicable Model Number | <input type="checkbox"/> Next Day |
| <input type="checkbox"/> Quantity, Part Number and Description of Each Part | <input type="checkbox"/> Second/Third Day |

NOTICE

All orders are treated as *Standard Orders* and will ship the same day if received prior to 3PM PST.

WE ACCEPT ALL MAJOR CREDIT CARDS!



SAFETY INFORMATION

Do not operate or service the equipment before reading the entire manual. Safety precautions should be followed at all times when operating this equipment. Failure to read and understand the safety messages and operating instructions could result in injury to yourself and others.



SAFETY MESSAGES

The four safety messages shown below will inform you about potential hazards that could injure you or others. The safety messages specifically address the level of exposure to the operator and are preceded by one of four words: **DANGER**, **WARNING**, **CAUTION** or **NOTICE**.

SAFETY SYMBOLS

DANGER
Indicates a hazardous situation which, if not avoided, WILL result in DEATH or SERIOUS INJURY .
WARNING
Indicates a hazardous situation which, if not avoided, COULD result in DEATH or SERIOUS INJURY .
CAUTION
Indicates a hazardous situation which, if not avoided, COULD result in MINOR or MODERATE INJURY .
NOTICE
Addresses practices not related to personal injury.

Potential hazards associated with the operation of this equipment will be referenced with hazard symbols which may appear throughout this manual in conjunction with safety messages.

SYMBOL	SAFETY HAZARD
	<p style="text-align: center;">WARNING Lethal Exhaust Gas Hazard</p> <ul style="list-style-type: none"> Inhaling exhaust fumes can result in severe injury or death. Only operate equipment in well ventilated areas. DO NOT inhale exhaust gases/fumes.
	<p style="text-align: center;">WARNING Explosive Fuel Hazard</p> <ul style="list-style-type: none"> Gasoline fuel can cause fire or explosion. Stop engine before refueling. Keep cigarettes, sparks and flames away from hot surfaces.

SYMBOL	SAFETY HAZARD (CONTINUED)
	<p style="text-align: center;">CAUTION Burn Hazard</p> <ul style="list-style-type: none"> HOT PARTS can burn skin. DO NOT touch hot parts. Allow machine a sufficient amount of time to cool before performing maintenance.
	<p style="text-align: center;">WARNING Guard Hazard</p> <p>NEVER operate this equipment with guards removed. Keep hands clear.</p>

Warning decals associated with the operation of this equipment are defined below:

DECAL	SAFETY HAZARD
	<p style="text-align: center;">WARNING Read Manual</p> <p>To avoid injury you must read and understand operator's manual before using this machine.</p>
	<p style="text-align: center;">WARNING Training</p> <p>This machine to be operated by qualified personnel. Ask for training as needed.</p>
	<p style="text-align: center;">WARNING Guard Hazard</p> <p>NEVER operate this equipment with guards removed. Keep hands clear.</p>
	<p style="text-align: center;">WARNING Rotating Parts Hazard</p> <p>Moving blades can cut and crush. NEVER operate equipment with hands inside drum.</p>
	<p style="text-align: center;">WARNING Fire Hazard</p> <p>DO NOT smoke around or near this equipment.</p>
	<p style="text-align: center;">WARNING Inhalation Hazard</p> <p>ALWAYS wear appropriate dust mask along with hearing and eye protection.</p>
	<p style="text-align: center;">WARNING Entanglement Hazard</p> <p>Stand clear of rotating blades.</p>
	<p style="text-align: center;">WARNING Kickback Hazard</p> <p>Stand clear of drum handle when blades are rotating.</p>
	<p style="text-align: center;">WARNING Crush Hazard</p> <p>ALWAYS keep hands clear of safety grate when closing.</p>

SAFETY INFORMATION

GENERAL SAFETY

CAUTION

- **NEVER** operate this equipment without proper protective clothing, shatterproof glasses, respiratory protection, hearing protection, steel-toed boots and other protective devices required by the job or city and state regulations.



- Avoid wearing jewelry or loose fitting clothes that may snag on the controls or moving parts as this can cause serious injury.

- **NEVER** operate this equipment when not feeling well due to fatigue, illness or when under medication.



- **NEVER** operate this equipment under the influence of drugs or alcohol.



- **ALWAYS** clear the work area of any debris, tools, etc. that would constitute a hazard while the equipment is in operation.

- **ALWAYS** check the equipment for loosened threads or bolts before starting.

- **DO NOT** use the equipment for any purpose other than its intended purposes or applications.

NOTICE

- This equipment should only be operated by trained and qualified personnel 18 years of age and older.

- Whenever necessary, replace nameplate, operation and safety decals when they become difficult read.

- Manufacturer does not assume responsibility for any accident due to equipment modifications. Unauthorized equipment modification will void all warranties.

- **NEVER** use accessories or attachments that are not recommended by Multiquip for this equipment. Damage to the equipment and/or injury to user may result.

- **ALWAYS** know the location of the nearest fire extinguisher.



- **ALWAYS** know the location of the nearest first aid kit.



- **ALWAYS** know the location of the nearest phone or **keep a phone on the job site**. Also, know the phone numbers of the nearest **ambulance, doctor and fire department**. This information will be invaluable in the case of an emergency.



SAFETY INFORMATION

MIXER SAFETY

DANGER

- **NEVER** operate the equipment in an explosive atmosphere or near combustible materials. An explosion or fire could result causing severe **bodily harm or even death.**



- **DO NOT** mix **flammable** or **explosive** substances.

WARNING

- **NEVER** place your hands inside the drum while starting or operating this equipment.
- **NEVER** disconnect any **emergency or safety devices.** These devices are intended for operator safety. Disconnection of these devices can cause severe injury, bodily harm or even death. Disconnection of any of these devices will void all warranties.
- Before operating mixer, ensure that safety grate is in position and correctly fitted.



CAUTION

- **NEVER** lubricate components or attempt service on a running machine.

NOTICE

- **ALWAYS** keep the machine in proper running condition.
- **ALWAYS** ensure mixer is on level ground before mixing.
- Fix damage to machine and replace any broken parts immediately.
- **DO NOT** tip mixer onto drum mouth when the drum is rotating.
- Ensure the drum is rotating while filling and emptying the drum.
- **ALWAYS** store equipment properly when it is not being used. Equipment should be stored in a clean, dry location out of the reach of children and unauthorized personnel.

ENGINE SAFETY

DANGER

- Engine fuel exhaust gases contain poisonous carbon monoxide. This gas is colorless and odorless, and can cause death if inhaled.
- The engine of this equipment requires an adequate free flow of cooling air. **NEVER** operate this equipment in any enclosed or narrow area where free flow of the air is restricted. If the air flow is restricted it will cause injury to people and property and serious damage to the equipment or engine.



WARNING

- **DO NOT** place hands or fingers inside engine compartment when engine is running.
- **NEVER** operate the engine with heat shields or guards removed.
- Keep fingers, hands hair and clothing away from all moving parts to prevent injury.
- **DO NOT** remove the engine oil drain plug while the engine is hot. Hot oil will gush out of the oil tank and severely scald any persons in the general area of the mixer.



CAUTION

- **NEVER** touch the hot exhaust manifold, muffler or cylinder. Allow these parts to cool before servicing equipment.
- Make certain the operator knows how to and is capable of turning the engine OFF in case of an emergency.



NOTICE

- **NEVER** run engine without an air filter or with a dirty air filter. Severe engine damage may occur. Service air filter frequently to prevent engine malfunction.
- **NEVER** tamper with the factory settings of the engine or engine governor. Damage to the engine or equipment can result if operating in speed ranges above the maximum allowable.

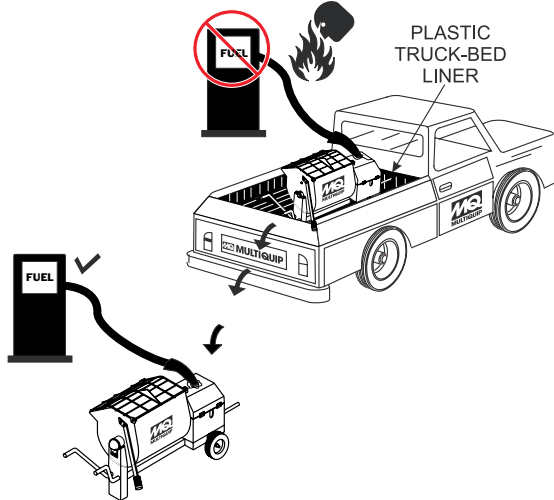



SAFETY INFORMATION

FUEL SAFETY

DANGER

- **DO NOT** add fuel to equipment if it is placed inside truck bed with plastic liner. Possibility exists of explosion or fire due to static electricity.



- **DO NOT** start the engine near spilled fuel or combustible fluids. Fuel is extremely flammable and its vapors can cause an explosion if ignited.
- **ALWAYS** refuel in a well-ventilated area, away from sparks and open flames.
- **ALWAYS** use extreme caution when working with **flammable** liquids.
- **DO NOT** fill the fuel tank while the engine is running or hot.
- **DO NOT** overfill tank, since spilled fuel could ignite if it comes into contact with hot engine parts or sparks from the ignition system.
- Store fuel in appropriate containers, in well-ventilated areas and away from sparks and flames.
- **NEVER** use fuel as a cleaning agent.
- **DO NOT** smoke around or near the equipment. Fire or explosion could result from fuel vapors or if fuel is spilled on a hot engine. 

TRANSPORTING SAFETY

CAUTION


- **NEVER** allow any person or animal to stand underneath the equipment while lifting.

NOTICE

- **ALWAYS** make sure forklift forks are inserted into pockets (if applicable) as far as possible when lifting the mixer.
- **ALWAYS** shutdown engine before transporting.
- **NEVER** lift the equipment while the engine is running.
- Tighten fuel tank cap securely and close fuel cock to prevent fuel from spilling.
- **DO NOT** lift machine to unnecessary heights.
- **ALWAYS** tie down equipment during transport by securing the equipment with rope.
- **NEVER** tip the engine to extreme angles during lifting as it may cause oil to gravitate into the cylinder head, making the engine start difficult.

ENVIRONMENTAL SAFETY

NOTICE

- Dispose of hazardous waste properly. Examples of potentially hazardous waste are used motor oil, fuel and fuel filters. 
- **DO NOT** use food or plastic containers to dispose of hazardous waste.
- **DO NOT** pour waste, oil or fuel directly onto the ground, down a drain or into any water source.

SPECIFICATIONS

Table 1. Mixer Specifications	
Capacity	4.0 cu. ft (113 liters)
Bag Capacity	1-1/2 to 2-1/2 bags
Weight	380 lbs. (172 kg.)
Height W/Dump Handle	47 in. (119 cm.)
Discharge Height	7.5 in. (19 cm.)
Drive	Gear
Dump Action	Manual

Table 2. Engine Specifications		
Engine	Model	Honda GX160UT1HX2
	Type	Air-cooled 4 stroke, Single Cylinder, OHV, Horizontal Shaft Gasoline Engine
	Bore X Stroke	2.70 in. X 1.80 in. (68 mm x 45 mm)
	Displacement	9.9 cu. in. (163 cc)
	Max Output	5.5 H.P./4000 R.P.M.
	Fuel Tank Capacity	Approx. 0.95 U.S. Gallons (3.6 Liters)
	Fuel	Unleaded Gasoline
	Lube Oil Capacity	0.63 qt. (0.6 liter)
	Speed Control Method	Centrifugal Fly-weight Type
	Starting Method	Recoil Start
Dimensions (L x W x H)		12.3 x 14.3 x 13.2 in. (312 x 362 x 335 mm)
Dry Net Weight		40.8 lbs. (15 Kg.)

DIMENSIONS

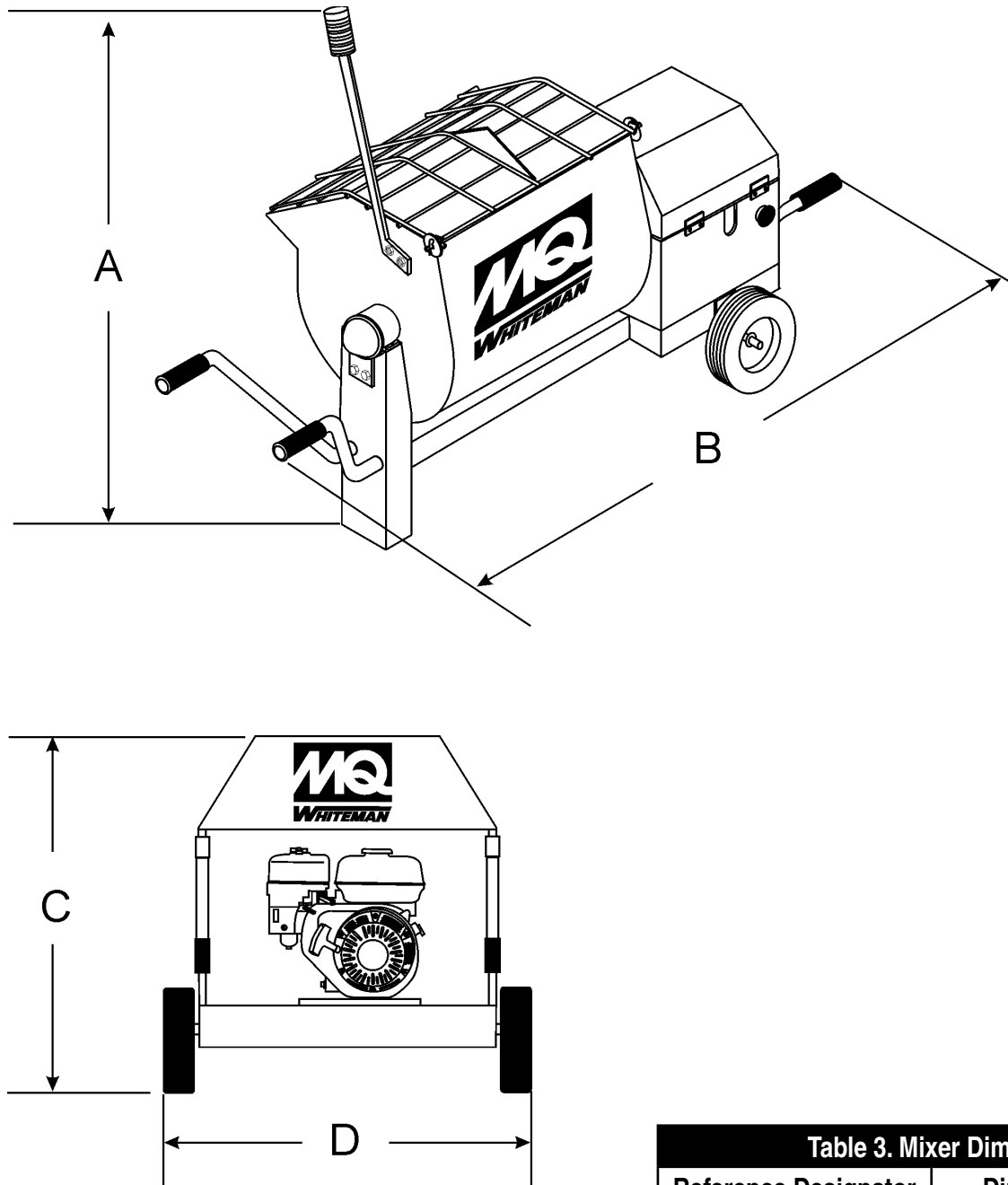


Figure 1. Dimensions

Table 3. Mixer Dimensions	
Reference Designator	Dimension in. (cm.)
A	67 (170)
B	50 (127)
C	56 (142)
D	56 (142)

GENERAL INFORMATION

GENERAL

The MQ Model WM45HCE plaster and mortar mixer is shipped completely assembled and has been factory tested.

The drum batch capacity of this mixers is between 1.5 and 2.5 bags. With proper care it will give continuous service year after year.

This mixer is powered by a Honda GX160 gasoline engine. The shaft of the engine is attached to a main gear via a pinion gear. As the main gear rotates it causes the paddle shaft to rotate.

Before Starting

Before starting the engine, read the engine owner's manual and thoroughly understand the safety information.

Check the items listed below:

Oil Levels

Be sure to check the oil levels in the engine and engine reduction unit before starting the unit (gasoline model only).

Hardware

Check all hardware on the mixer before starting. Periodically inspect all hardware. Loose hardware can contribute to early component failure and poor performance. Use the torque chart below as a general guideline and keep all hardware tight:

HARDWARE DIA	TORQUE (lb./ft.)
5/16" - 18	24
3/8" - 24	37
1/2" - 13	39
1/2" - 13 (Grade 8)	90

Engine Care

For care and operation of the Honda engine, refer to the maintenance procedures in this manual and the engine manufacturer's operating instructions furnished with the engine. We recommend draining and refilling the engine crankcase at least every thirty hours of operation. Check the engine oil level daily.

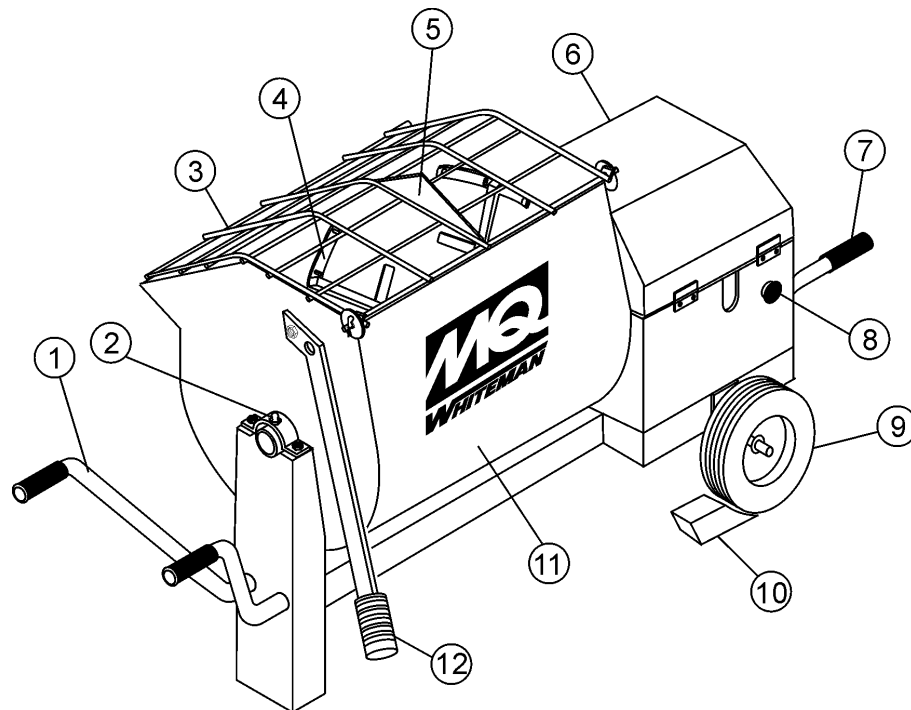


Figure 2. Major Components

Figure 2 illustrates the basic components and controls of the WM45HCE mixer.

1. **Lifting Handle Bars** — Use these handle bars to lift and maneuver the mixer.
2. **Pivot Point/Zerk Fitting** — There is, on each end of the mixing drum a zerk grease fitting. These fittings lubricate the dumping mechanism. Lubricate both fittings at least twice a week.
3. **Safety Grill** — Provided for operator safety. This safety grill is designed to keep hands and solid objects out of the mixing drum when in use. This grill should be closed at all times when mixer is in use. **DO NOT** remove the grill or grill opening bar. Keep the grill clean by washing it down daily.
4. **Mixing Paddles** — Used in the mixing of material. This unit uses four different types of paddles to provide a fast uniform mix.
5. **Bag Cutter** — This feature allows compound mixing bags to be opened easily, therefore allowing the contents of the bag to fall directly into the mixing drum.
6. **Engine Cover** — Lift this cover to gain access to the engine compartment.
7. **Lifting Handle Bars (Engine Side)** — Use these fold-down handle bars to lift and maneuver the mixer.
8. **Engine ON/OFF Switch** — Pull switch outward to start engine. Push inward to stop engine.
9. **Tires** — Replace tires with the recommended type tire of 12 x 3.
10. **Chock Blocks** — Place these blocks (not included as part of the mixer package) under each mixer wheel to prevent rolling.
11. **Steel Mixing Drum** — Mixing materials such as mortar, plaster are to be placed into this drum for mixing. Always clean the drum after each use
12. **Dump Handle** — Pull this handle downward to dump the contents of the drum. Push the handle upward to return the drum to its vertical position.

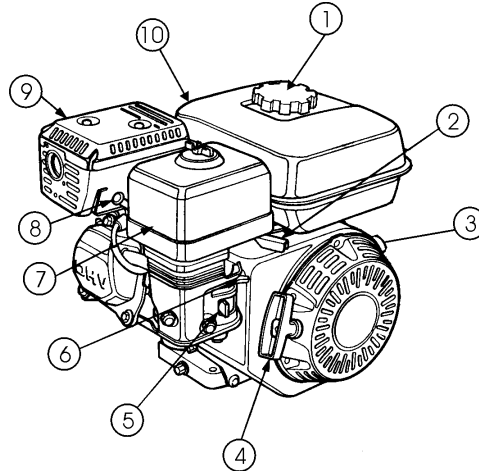


Figure 3. Engine Controls and Components

INITIAL SERVICING

The engine (Figure 3) must be checked for proper lubrication and filled with fuel prior to operation. Refer to the manufacturer's engine manual for instructions and details of operation and servicing. **Fuel Filler Cap** — Remove this cap to add unleaded gasoline to the fuel tank. Make sure cap is tightened securely. **DO NOT** over fill.

DANGER



Adding fuel to the tank should be done only when the engine is stopped and has had an opportunity to cool down. In the event of a fuel spill, **DO NOT** attempt to start the engine until the fuel residue has been completely wiped up, and the area surrounding the engine is dry.

1. **Fuel Filler Cap** — Remove this cap to add unleaded gasoline to the fuel tank. Make sure cap is tightened securely. **DO NOT** over fill.
2. **Throttle Lever** — Used to adjust engine RPM speed (lever advanced forward **SLOW**, lever back toward operator **FAST**).
3. **Engine ON/OFF Switch** — ON position permits engine starting, OFF position stops engine operations.
4. **Recoil Starter (pull rope)** — Manual-starting method. Pull the starter grip until resistance is felt, then pull briskly and smoothly.
5. **Fuel Valve Lever** — **OPEN** to let fuel flow, **CLOSE** to stop the flow of fuel.

6. **Choke Lever** — Used in the starting of a cold engine, or in cold weather conditions. The choke enriches the fuel mixture.
7. **Air Cleaner** — Prevents dirt and other debris from entering the fuel system. Remove wing-nut on top of air filter canister to gain access to filter element.

NOTICE

Operating the engine without an air filter, with a damaged air filter, or a filter in need of replacement will allow dirt to enter the engine, causing rapid engine wear.

WARNING



Engine components can generate extreme heat. To prevent burns, **DO NOT** touch these areas while the engine is running or immediately after operating. **NEVER** operate the engine with the muffler removed.

8. **Spark Plug** — Provides spark to the ignition system. Set spark plug gap to 0.6 - 0.7 mm (0.028 - 0.031 inch). Clean spark plug once a week.
9. **Muffler** — Used to reduce noise and emissions.
10. **Fuel Tank** — Holds unleaded gasoline. For additional information refer to engine owner's manual.

PRE-INSPECTION (ENGINE/MIXER)

BEFORE STARTING

1. Read safety instructions at the beginning of manual.
2. Clean the mixer, removing dirt and dust, particularly the engine cooling air inlet, carburetor and air cleaner.
3. Check the air filter for dirt and dust. If air filter is dirty, replace air filter with a new one as required.
4. Check carburetor for external dirt and dust. Clean with dry compressed air.
5. Check fastening nuts and bolts for tightness.



Engine Oil Check

1. To check the engine oil level, place the mixer on secure level ground with the engine stopped.
2. Remove the filler dipstick from the engine oil filler hole (Figure 4) and wipe clean.

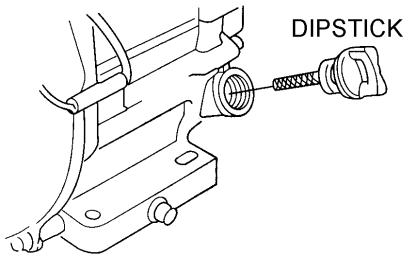


Figure 4. Engine Oil Dipstick (Removal)

3. Insert and remove the dipstick without screwing it into the filler neck. Check the oil level shown on the dipstick.
4. If the oil level is low (See Figure 5), fill to the edge of the oil filler hole with the recommended oil type (Table 4). Maximum oil capacity is 1.16 quarts (1.1 liters).

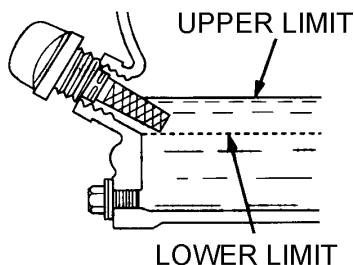


Figure 5. Engine Oil Dipstick (Oil Level)

Table 4. Oil Type

Season	Temperature	Oil Type
Summer	25°C or Higher	SAE 10W-30
Spring/Fall	25°C~10°C	SAE 10W-30/20
Winter	0°C or Lower	SAE 10W-10

! DANGER



Motor fuels are highly flammable and can be dangerous if mishandled. **DO NOT** smoke while refueling. **DO NOT** attempt to refuel the mixer if the engine is **hot!** or **running**.

Fuel Check

1. Remove the gasoline cap located on top of fuel tank.
2. Visually inspect to see if the fuel level is low. If fuel is low, replenish with unleaded fuel.
3. When refueling, be sure to use a strainer for filtration. **DO NOT** top-off fuel. Wipe up any spilled fuel **immediately!**

Blade Check

Check for worn or defective paddle blades. Make sure that all blades are adjusted properly. Replace all defective or damaged blades immediately.

Start/Stop Switch Check

This switch should be tested every time the engine is started.

Grease Fittings (Dumping Mechanism)

Check the zerk grease fittings at each end of the mixing drum. These grease fittings lubricate the dumping mechanism. If the dumping handle is stiff or hard to move lubricate these fittings.

INITIAL START-UP (ENGINE)

CAUTION



DO NOT attempt to operate the mixer until the Safety, General Information and Inspection sections of this manual have been *read and thoroughly understood*.

This section is intended to assist the operator with the initial start-up of the mixer. It is extremely important that this section be read carefully before attempting to use the mixer in the field.

STARTING THE ENGINE (HONDA ENGINE)

1. Place the engine fuel valve lever (Figure 6) to the "ON" position.

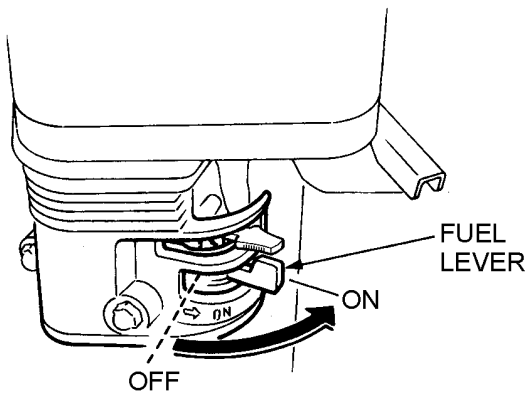


Figure 6. Engine Fuel Valve Lever (ON Position)

2. Move the throttle lever (Figure 7) away from the slow position, about 1/3 of the way toward the fast position.

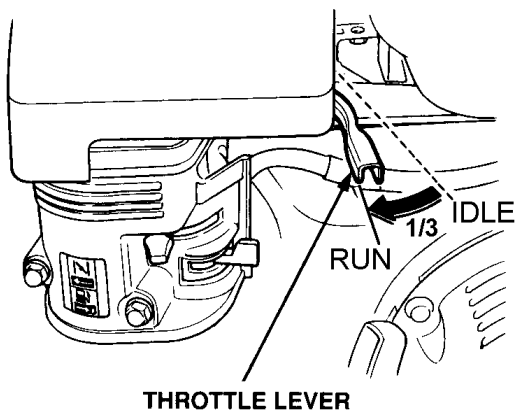


Figure 7. Throttle Lever (1/3 Start Position)

3. Place the choke lever (Figure 8) in the "CLOSED" position if starting a cold engine.

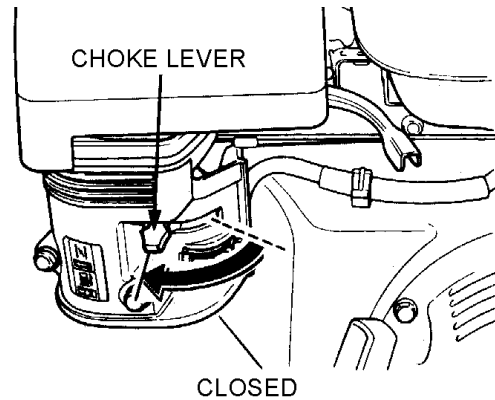


Figure 8. Engine Choke Lever (Closed)

4. Place the choke lever (Figure 9) in the "OPEN" position if starting a warm engine or the temperature is warm.

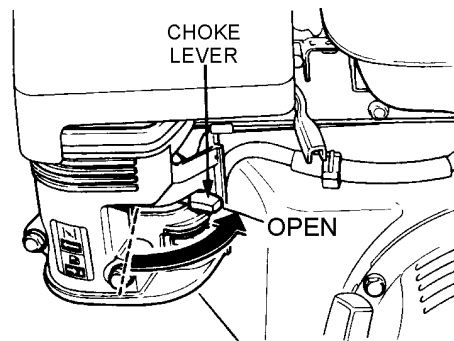


Figure 9. Engine Choke Lever (Open)

5. Place the engine ON/OFF switch (Figure 10) in the "ON" position.

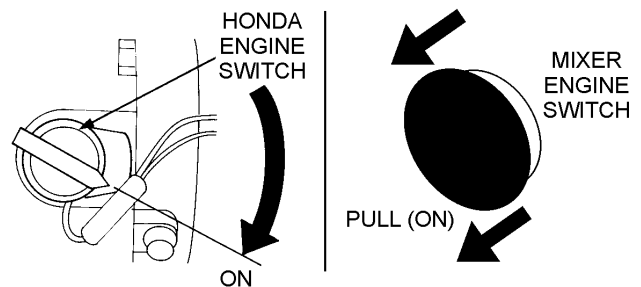


Figure 10. Engine ON/OFF Switches (ON Position)

INITIAL START-UP (ENGINE)

- Grasp the starter grip (Figure 11) and slowly pull it out. The resistance becomes the hardest at a certain position, corresponding to the compression point. Pull the starter grip briskly and smoothly for starting.

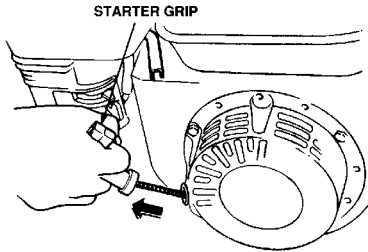


Figure 11. Starter Grip

- If the choke lever was moved to the "CLOSED" position to start the engine gradually move it to the "OPEN" position (Figure 12) as the engine warms up. If the engine has not started repeat steps 1 through 6.

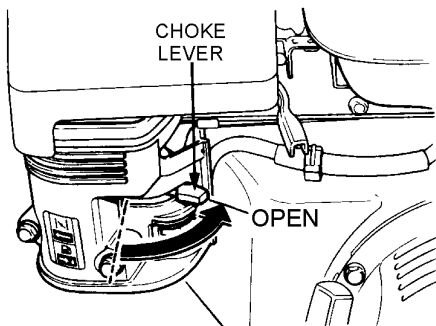


Figure 12. Choke Lever (Open)

- Before the mixer is placed in to operation, run the engine for several minutes. Check for fuel leaks, and noises that would associate with a lose component.
- To begin mixing, place the throttle lever (Figure 13) in the "RUN" position.

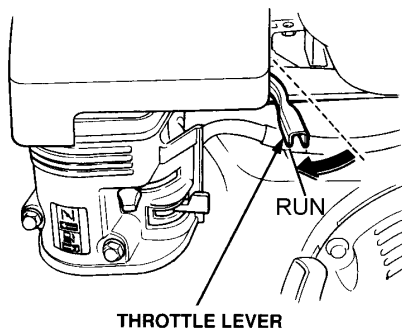


Figure 13. Throttle Lever (Run)

CAUTION

ALWAYS run engine at *full speed* while mixing.

STOPPING THE ENGINE

Normal Shutdown

- Move the throttle lever to the IDLE position (Figure 14) and run the engine for three minutes at low speed.

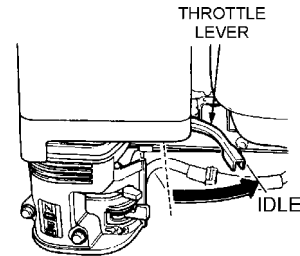


Figure 14. Throttle Lever (Idle)

- After the engine cools, push the engine ON/OFF switch inward to the "OFF" position (Figure 15).

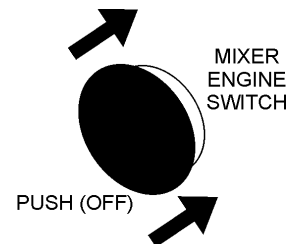


Figure 15. Engine ON/OFF Switch (OFF)

- Place the fuel shut-off lever (Figure 16) in the "OFF" position.

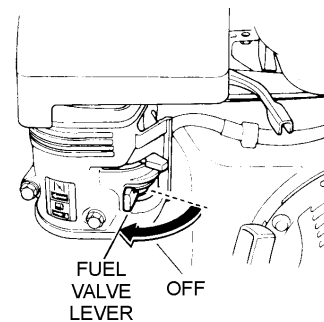


Figure 16. Fuel Valve Lever (OFF)

Emergency Shutdown

- Move the throttle lever quickly to the IDLE position, and place the engine ON/OFF switch in the OFF position.

MAINTENANCE (ENGINE)

ENGINE MAINTENANCE

Perform engine maintenance procedures as referenced by Table 5 below:

Table 5. Engine Maintenance Schedule							
Description (3)	Operation	Before	First Month or 10 hrs	Every 3 Months or 25 hrs	Every 6 Months or 50 hrs	Every Year or 100 hrs	Every 2 Years or 200 hrs
Engine Oil	CHECK	X					
	CHANGE		X				
Air Cleaner	CHECK	X					
	CHANGE			X (1)			
All Nuts and Bolts	Re-tighten If Necessary	X					
Spark Plug	CHECK-CLEAN				X		
	REPLACE						X
Cooling Fins	CHECK				X		
Spark Arrester	CLEAN					X	
Fuel Tank	CLEAN					X	
Fuel Filter	CHECK					X	
Idle Speed	CHECK-ADJUST					X (2)	
Valve Clearance	CHECK-ADJUST						X (2)
Fuel lines	CHECK	Every 2 years (replace if necessary) (2)					

1. Service more frequently when used in **DUSTY** areas.
2. These items should be serviced by your service dealer, unless you have the proper tools and are mechanically proficient. Refer to the HONDA shop Manual for service procedures.
3. For commercial use, log hours of operation to determine proper maintenance intervals.

NOTICE

Reference manufacturer engine manual for specific servicing instructions.

MAINTENANCE (ENGINE)

MAINTENANCE

Perform the engine maintenance procedures as indicated below:

Daily

1. Thoroughly remove dirt and oil from the engine and control area. Clean or replace the air cleaner elements as necessary. Check and retighten all fasteners as necessary.

Weekly

1. Remove the fuel filter cap and clean the inside of the fuel tank.
2. Remove or clean the filter at the bottom of the tank.
3. Remove and clean the spark plug (Figure 17), then adjust the spark gap to 0.028~0.031 inch (0.6~0.7 mm). This unit has electronic ignition, which requires no adjustments.

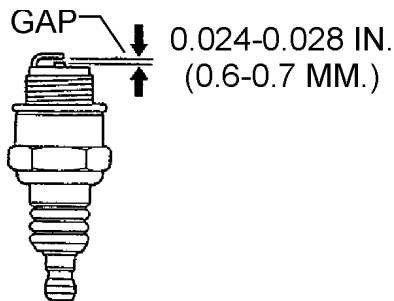


Figure 17. Spark Plug Gap

ENGINE OIL

1. Drain the engine oil when the oil is **warm** as shown in Figure 18.
2. Remove the oil drain bolt and sealing washer and allow the oil to drain into a suitable container.
3. Install drain bolt with sealing washer and tighten securely.
4. Replace engine oil with recommended type oil as listed in Table 4. Engine oil capacity is 1.16 quarts (1.1 liters). **DO NOT** over fill.

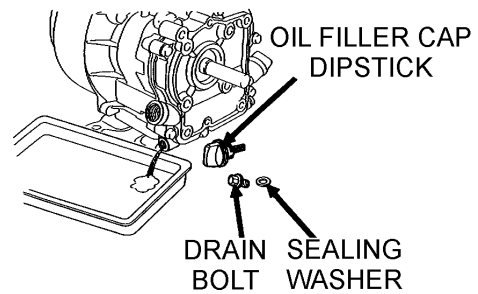


Figure 18. Engine Oil (Draining)

! DANGER

DO NOT use gasoline as a cleaning solvent, because that would create a risk of fire or explosion.

ENGINE AIR CLEANER

1. Remove the air cleaner cover and foam filter element as shown in Figure 19.
2. Tap the paper filter element (Figure 19) several times on a hard surface to remove dirt, or blow compressed air [not exceeding 30 psi (207 kPa, 2.1 kgf/cm²)] through the filter element from the air cleaner case side. **NEVER** brush off dirt. Brushing will force dirt into the fibers. Replace the paper filter element if it is excessively dirty.
3. Clean foam element in warm, soapy water or non-flammable solvent. Rinse and dry thoroughly. Dip the element in clean engine oil and completely squeeze out the excess oil from the element before installing.

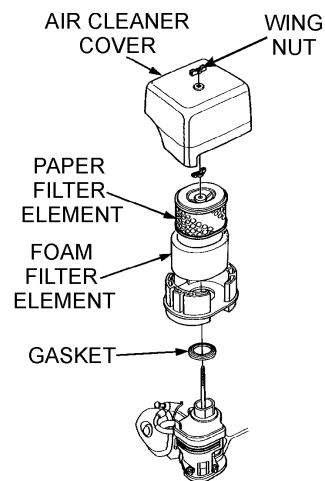


Figure 19. Engine Air Cleaner

MAINTENANCE (MIXER)

Drum Head Seals

There is 1 set of drum head seals (Figure 20) that will require lubrication.

NOTICE

Important- Drum Head Seal Care

Grease seals every **40 hours of operation** using any grade #1 lithium base grease. Apply grease until visible of mixing tub (over grease). This will purge seal system of contamination.

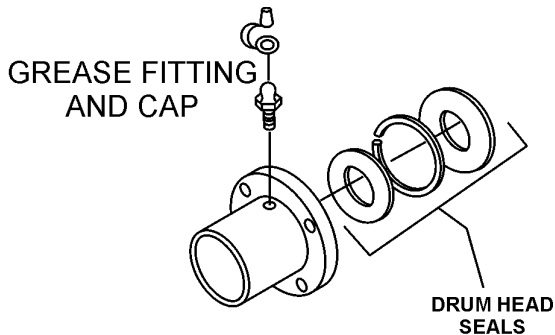


Figure 20. Grease Fittings (Drum Head Seals)

Drum Bearing Bracket Lubrication

There is 1 set of drum bearing brackets (Figure 21) that will require lubrication. These brackets are intended to make the drum rotate freely. Lubricate the grease fitting for each drum bearing bracket **every month or when the drum becomes difficult to position** using multi-purpose grade grease.

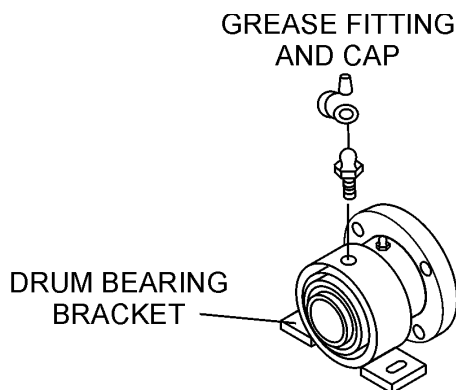


Figure 21. Grease Fittings (Dumping Mechanism)

NOTICE

Lubricating Grease Fittings

Failure to lubricate the drum bearing grease fittings periodically will cause the dumping mechanism to stiffen, making the mixing drum hard to dump.

Countershaft Bearing Lubrication

There is 1 set of countershaft bearings (Figure 22) that will require lubrication. Lubricate the grease fitting for each countershaft bearing every **40 hours of operation** using any grade lithium base grease.

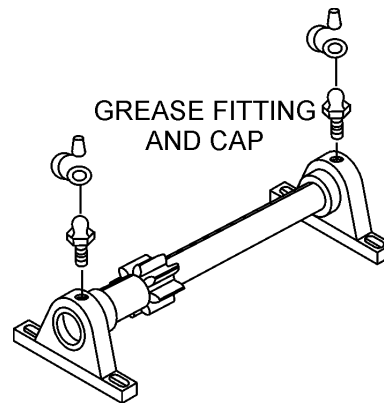


Figure 22. Grease Fittings (Countershaft)

MAINTENANCE (MIXER)

Main Gear and Drive Pinion Alignment

1. Disconnect the spark plug wire. In addition make sure the clutch engagement lever is dis-engaged to relieve V-belt tension.
2. The countershaft and drive pinion are mounted on a slotted base. To align drive pinion with main gear, loosen the pillow block mounting bolts and move them until the necessary alignment has been made. Remember gears must be paralleled aligned not skewed.
3. Using your hand, slightly move (rock) the drive pulley back and forth to determine the amount of backlash. Insert feeler gauge between gears to determine backlash distance. Backlash should range between 0.007- 0.012 inches (Figure 23).

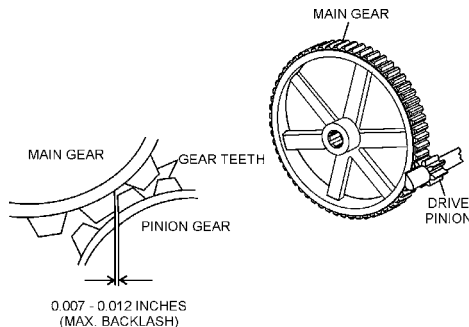


Figure 23. Drive Pinion and Main Gear (Backlash)

Inspect Tooth Contact Between Main Gear and Drive Pinion

1. Coat 3 or 4 teeth at 3 different positions on the main gear with yellow paint.
2. Rotate the drive pulley in both directions.
3. Inspect the tooth pattern.
4. If gear teeth are not contacting properly (Figure 24), adjust pillow block to correct the problem.

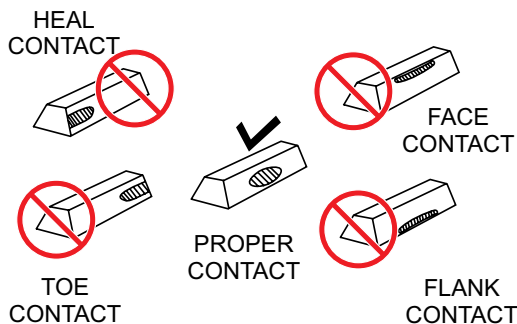


Figure 24. Gear Teeth Alignment

Gear Lubrication

The surface of the pinion and main gear (Figure 25) should be very lightly greased.

NOTICE

Re Grease main and pinion gears **every 250 hours** of operation. **IMPORTANT!** avoid over-greasing. Excess grease will accumulate contaminates and cause premature wear.

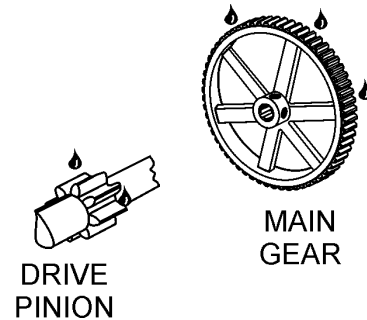


Figure 25. Pinion and Bull Gear Lubrication

NOTICE

Mixer Cleaning

ALWAYS disconnect the spark plug wire before cleaning inside of mixing drum.

NEVER pour or spray water (Figure 26) over engine.

For consistent performance, long life and high quality mixing, thoroughly clean the mixer inside and out at the end of each day's operation. To prevent lumps of dried mortar from forming and contamination of future batches, do not allow a buildup of materials to form on the blades or anywhere inside the drum.

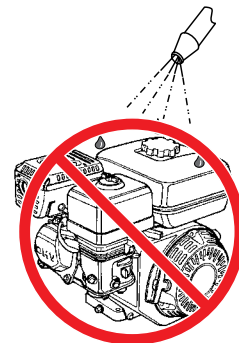


Figure 26. No Spraying of Water

TROUBLESHOOTING (ENGINE)

Practically all breakdowns can be prevented by proper handling and maintenance inspections, but in the event of a breakdown, please take remedial action following

the diagnosis based on the Troubleshooting Tables. If the problem cannot be remedied, please leave the unit just as it is and consult our company's service department.

Troubleshooting (Engine)		
Symptom	Possible Problem	Solution
Difficult to start, fuel is available, but no spark at spark plug.	Spark plug bridging?	Check gap, insulation or replace spark plug.
	Carbon deposit on spark plug?	Clean or replace spark plug.
	Short circuit due to deficient spark plug insulation?	Check spark plug insulation, replace if worn.
	Improper spark plug gap?	Set to proper gap.
	Fuel reaching carburetor?	Check fuel line.
	Water in fuel tank?	Flush or replace fuel tank.
	Fuel filter clogged?	Replace fuel filter.
	Stuck carburetor?	Check float mechanism.
	Spark plug is red?	Check transistor ignition unit.
	Spark plug is bluish white?	If insufficient compression, repair or replace engine. If injected air leaking, correct leak. If carburetor jets clogged, clean carburetor.
	No spark present at tip of spark plug?	Check transistor ignition unit is broken, and replace defective unit. Check if voltage cord cracked or broken and replace. Check if spark plug if fouled and replace.
	No oil?	Add oil as required.
Difficult to start, fuel is available, and spark is present at the spark plug.	Oil pressure alarm lamp blinks upon starting? (if applicable)	Check automatic shutdown circuit, "oil sensor". (if applicable)
	ON/OFF switch is shorted?	Check switch wiring, replace switch.
	Ignition coil defective?	Replace ignition coil.
	Improper spark gap, points dirty?	Set correct spark gap and clean points.
	Condenser insulation worn or short circuiting?	Replace condenser.
Difficult to start, fuel is available, spark is present and compression is normal.	Spark plug wire broken or short circuiting?	Replace defective spark plug wiring.
	Wrong fuel type?	Flush fuel system, replace with correct type of fuel.
	Water or dust in fuel system?	Flush fuel system.
	Air cleaner dirty?	Clean or replace air cleaner.
Difficult to start, fuel is available, spark is present and compression is low.	Choke open?	Close choke.
	Suction/exhaust valve stuck or protruded?	Reseat valves.
	Piston ring and/or cylinder worn?	Replace piston rings and/or piston.
	Cylinder head and/or spark plug not tightened properly?	Torque cylinder head bolts and spark plug.
No fuel present at carburetor.	Head gasket and/or spark plug gasket damaged?	Replace head and spark plug gaskets.
	No fuel in fuel tank?	Fill with correct type of fuel.
	Fuel cock does not open properly?	Apply lubricant to loosen fuel cock lever, replace if necessary.
	Fuel filter/lines clogged?	Replace fuel filter.
	Fuel tank cap breather hole clogged?	Clean or replace fuel tank cap.
Air in fuel line?	Bleed fuel line.	

TROUBLESHOOTING (ENGINE/MIXER)

Troubleshooting (Mixer)		
Symptom	Possible Problem	Solution
Blades will not rotate.	Worn or defective main gear?	Check main gear. Replace if worn or broken.
	Worn or defective pinion gear?	Check pinion gear. Replace if worn or broken.
	Material load too heavy, exceeding mixer capability?	Reduce amount of material being mixed.
	Object stuck inside mixing drum, jamming paddle rotation?	Stop engine. Empty out drum contents. Remove obstruction.
	Improper engine speed?	Check and adjust engine speed.
Material leaking from drum ends.	Worn or defective paddle shaft seals?	Replace seals.
Drum difficult to discharge (tilt).	Defective or worn drum support brackets?	Apply grease to bracket or replace.
	Blades adjusted too tight.	Adjust blades until they almost touch side walls of drum.

EXPLANATION OF CODE IN REMARKS COLUMN

The following section explains the different symbols and remarks used in the Parts section of this manual. Use the help numbers found on the back page of the manual if there are any questions.

NOTICE

The contents and part numbers listed in the parts section are subject to change **without notice**. Multiquip does not guarantee the availability of the parts listed.

SAMPLE PARTS LIST

NO.	PART NO.	PART NAME	QTY.	REMARKS
1	12345	BOLT.....	1	INCLUDES ITEMS W/%
2%		WASHER, 1/4 IN.....		NOT SOLD SEPARATELY
2%	12347	WASHER, 3/8 IN....	1	MQ-45T ONLY
3	12348	HOSE		A/R ...MAKE LOCALLY
4	12349	BEARING	1	S/N 2345B AND ABOVE

NO. Column

Unique Symbols — All items with same unique symbol

(@, #, +, %, or >) in the number column belong to the same assembly or kit, which is indicated by a note in the “Remarks” column.

Duplicate Item Numbers — Duplicate numbers indicate multiple part numbers, which are in effect for the same general item, such as different size saw blade guards in use or a part that has been updated on newer versions of the same machine.

NOTICE

When ordering a part that has more than one item number listed, check the remarks column for help in determining the proper part to order.

PART NO. Column

Numbers Used — Part numbers can be indicated by a number, a blank entry, or TBD.

TBD (To Be Determined) is generally used to show a part that has not been assigned a formal part number at the time of publication.

A blank entry generally indicates that the item is not sold separately or is not sold by Multiquip. Other entries will be clarified in the “Remarks” Column.

QTY. Column

Numbers Used — Item quantity can be indicated by a number, a blank entry, or A/R.

A/R (As Required) is generally used for hoses or other parts that are sold in bulk and cut to length.

A blank entry generally indicates that the item is not sold separately. Other entries will be clarified in the “Remarks” Column.

REMARKS Column

Some of the most common notes found in the “Remarks” Column are listed below. Other additional notes needed to describe the item can also be shown.

Assembly/Kit — All items on the parts list with the same unique symbol will be included when this item is purchased.

Indicated by:

“INCLUDES ITEMS W/(unique symbol)”

Serial Number Break — Used to list an effective serial number range where a particular part is used.

Indicated by:

“S/N XXXXX AND BELOW”

“S/N XXXX AND ABOVE”

“S/N XXXX TO S/N XXX”

Specific Model Number Use — Indicates that the part is used only with the specific model number or model number variant listed. It can also be used to show a part is NOT used on a specific model or model number variant.

Indicated by:

“XXXXX ONLY”

“NOT USED ON XXXX”

“Make/Obtain Locally” — Indicates that the part can be purchased at any hardware shop or made out of available items. Examples include battery cables, shims, and certain washers and nuts.

“Not Sold Separately” — Indicates that an item cannot be purchased as a separate item and is either part of an assembly/kit that can be purchased, or is not available for sale through Multiquip.

SUGGESTED SPARE PARTS

WM45HCE PLASTER/MORTAR MIXER WITH HONDA GX160UT1HX2 ENGINE

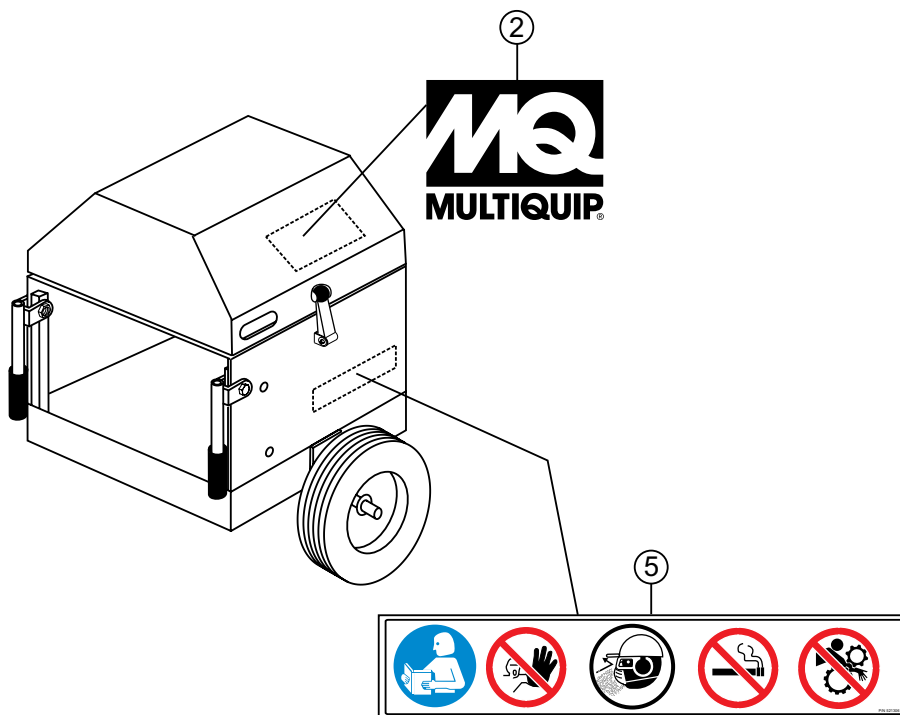
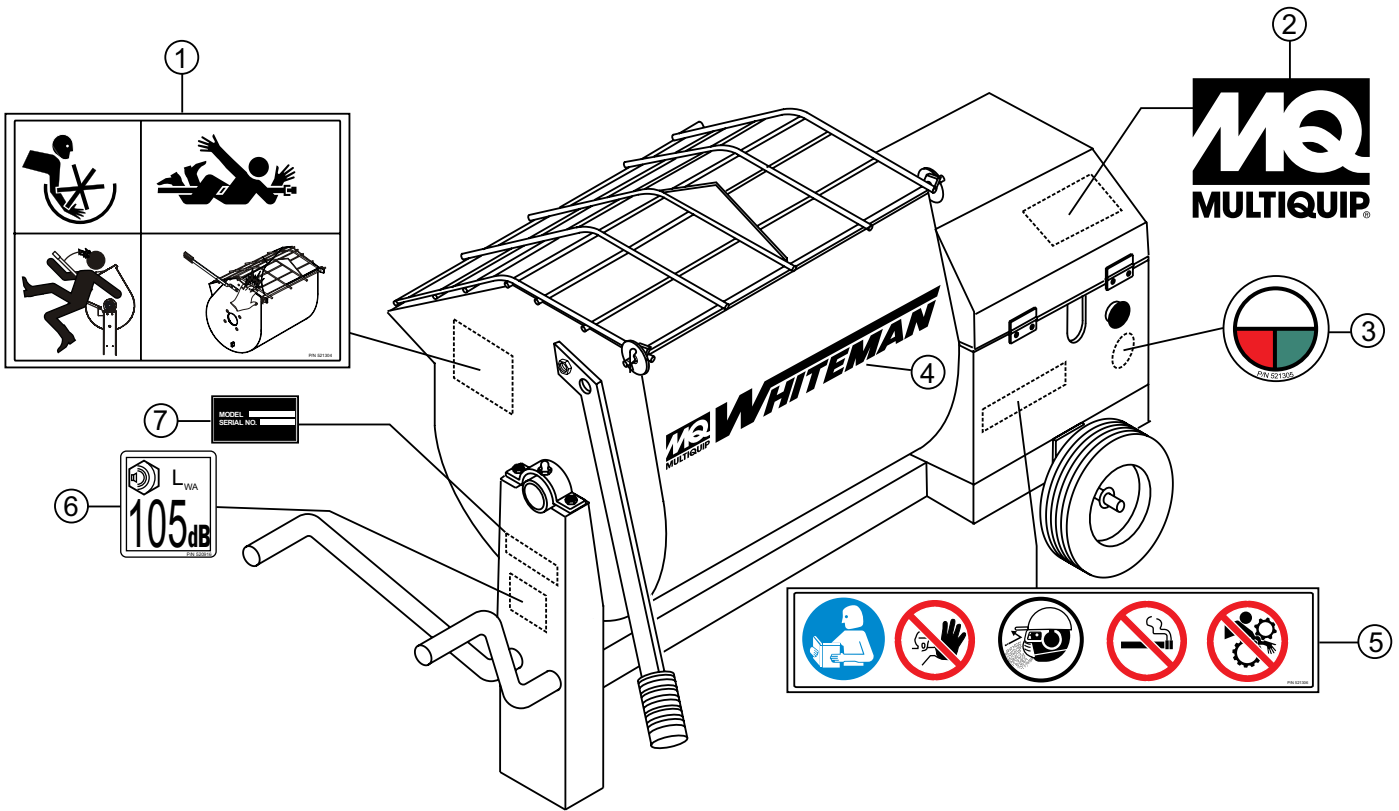
1 to 3 units

Qty.	P/N	Description
2.....	491010.....	RUBBER LATCH ASSY.
1.....	8000-008	KIT, RUBBER BLADES
3.....	9807956846.....	SPARK PLUG HONDA
3.....	17210ZE1822	ELEMENT, AIR HONDA
1.....	28462ZH8003.....	ROPE, RECOIL STARTER, HONDA

NOTICE

Part numbers on this Suggested Spare Parts list may supersede/replace the part numbers shown in the following parts lists.

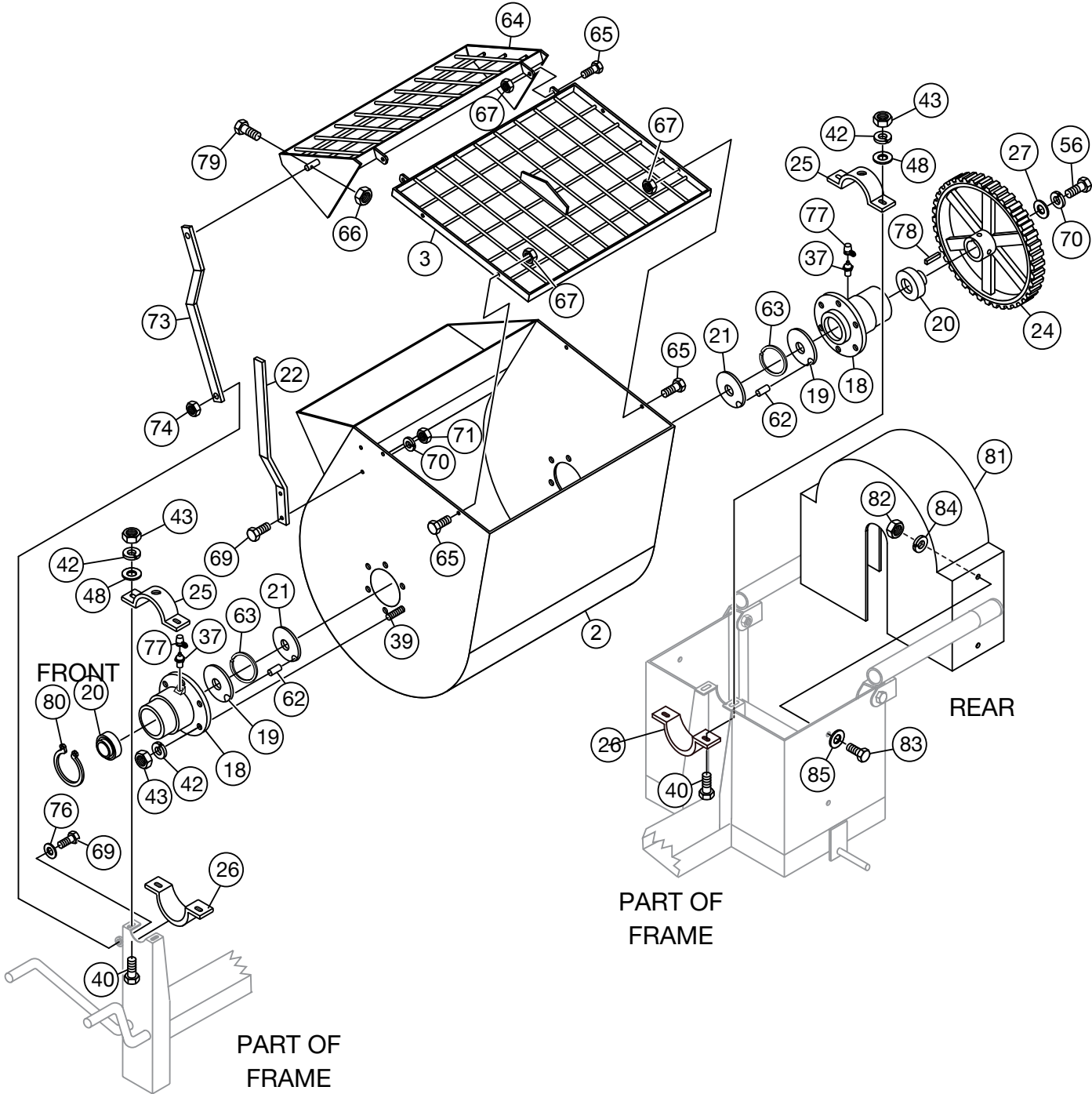
NAMEPLATE AND DECALS



NAMEPLATE AND DECALS

<u>NO.</u>	<u>PART NO.</u>	<u>PART NAME</u>	<u>QTY.</u>	<u>REMARKS</u>
1	521304	DECAL: MIXING TUB ICONS (4)	1	
2	512910	DECAL: MQ LOGO	2	
3	521305	DECAL: PUSH TO STOP	1	
4	504714	DECAL: MQ/WHITEMAN LOGO	1	
5	521306	DECAL: SAFETY ICONS (5)	2	
6	520916	DECAL: NOISE LEVEL	1	
7		DECAL: SERIAL PLATE	1.....	CONTACT MQ PARTS DEPT.

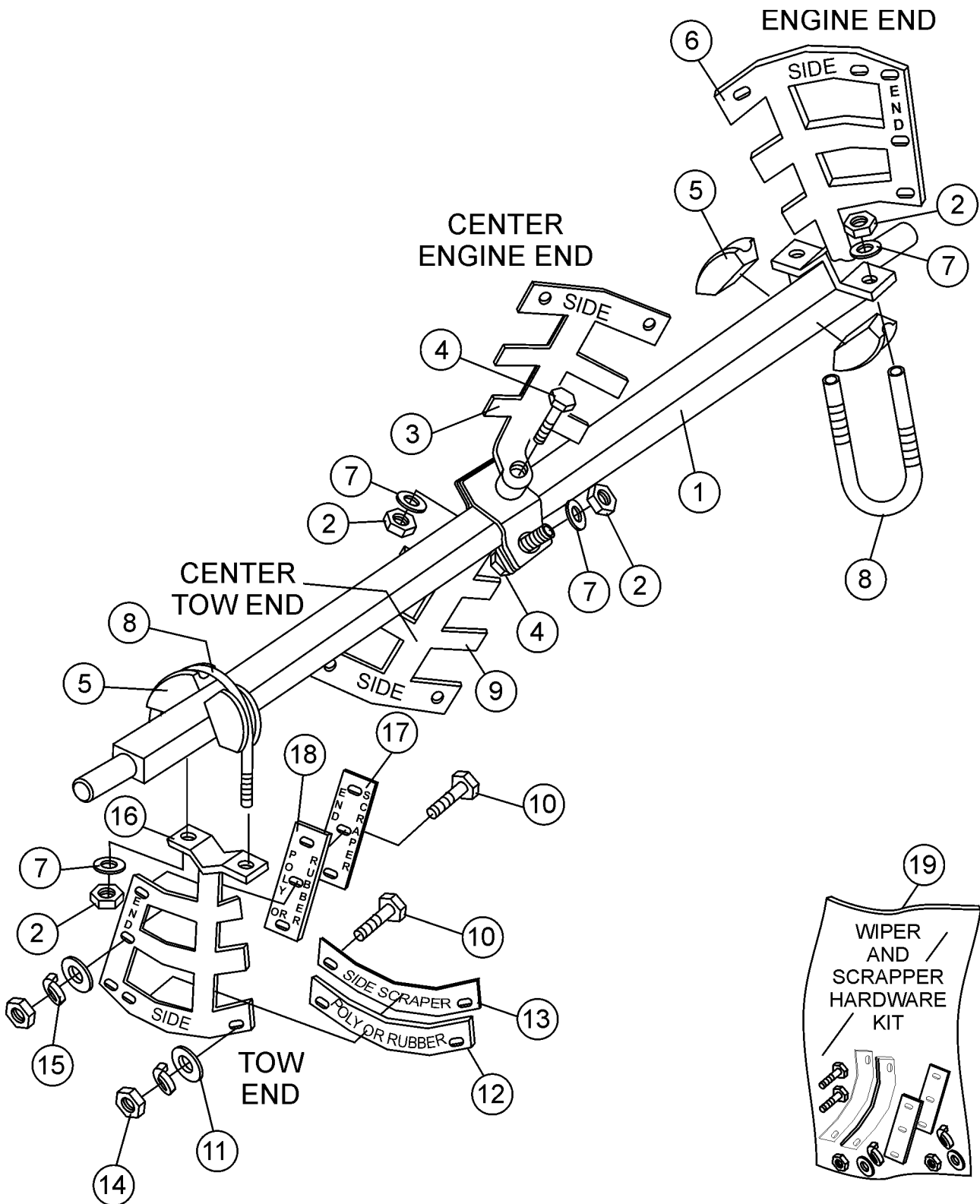
STEEL TUB ASSY.



STEEL TUB ASSY.

<u>NO.</u>	<u>PART NO.</u>	<u>PART NAME</u>	<u>QTY.</u>	<u>REMARKS</u>
2#	26084-352	DRUM	1	
3	26085-351	GRATE, FIXED	1	
12	23180-001	HAND GRIP	1	
18#	19728-001	TRUNNION	2	
19+#	19722-001	SHAFT SEAL	2	
20#	33177-001	SEALED BEARING	2	
21+#	33044-001	SHAFT SEAL	2	
22	25492-001	DUMP LEVER	1	
24#	33048-001	MAIN GEAR	1	
25	33084-001	BEARING HALF - UPPER	2	
26	33084-002	BEARING HALF - LOWER	2	
27#	18937-001	LARGE WASHER	1	
37#	07745-001	GREASE FITTING	4	
39#	17985-008	BOLT 3/8 X 1-1/4"	8	
40	17985-010	CARRIAGE BOLT 3/8 - 16 X 1-1/4	4	
42#	07029-006	LOCKWASHER 3/8	16	
43#	07033-006	HEX NUT 3/8 - 16	14	
48	07030-006	FLATWASHER 3/8	4	
56#	06501-008	HEX HEAD CAP SCREW 3/8 - 16 X 1	1	
62#	07594-012	ROLL PIN 3/16 X 3/4	2	
63#	19721-001	RETAINING RING	2	
64	801154	GRATE, MOBILE	1	
65	EM963610	CAPSCREW 3/8"NCx1-1/4" G8	6	
66	492581	NUT 1/4"-20 NYLON	1	
67	EM969013	NUT NYLOK	6	
69	EM963692	CAPSCREW 1/2-13x1-1/2 HHCS	3	
70	6109180	WASHER LOCK 1/2"	3	
71	6109160	HEX NUT 1/2-13	2	
73	801170	LIFT BAR	1	
74	492584	NUT LOCK 1/2"	1	
76	6109170	WASHER-1/2" FLAT	1	
77	491008	FITTING PROTECTOR	2	
78	500214	KEY SQUARE 1/4x1/4x1-1/2	1	
79	492357	BOLT, GR 8	1	
80	513642	SNAP RING	1	
81	801166	GEAR GUARD	1	
82	2101428	NUT, HEX 1/4-20	4	
83	492356	BOLT, 1/4 X 3/4	4	
84	2101402	WASHER, LOCK 1/4	4	
85	EM923057	WASHER, FLAT 1/4	4	
	25648-501	SHAFT SEAL KIT	1	INCLUDES ITEMS W/+
	26083-502	DRUM ASSY. W/SHAFT MAIN GEAR	1	INCLUDES ITEM W/#, ALSO
			INCLUDES PADDLE SHAFT
			P/N 29062-351

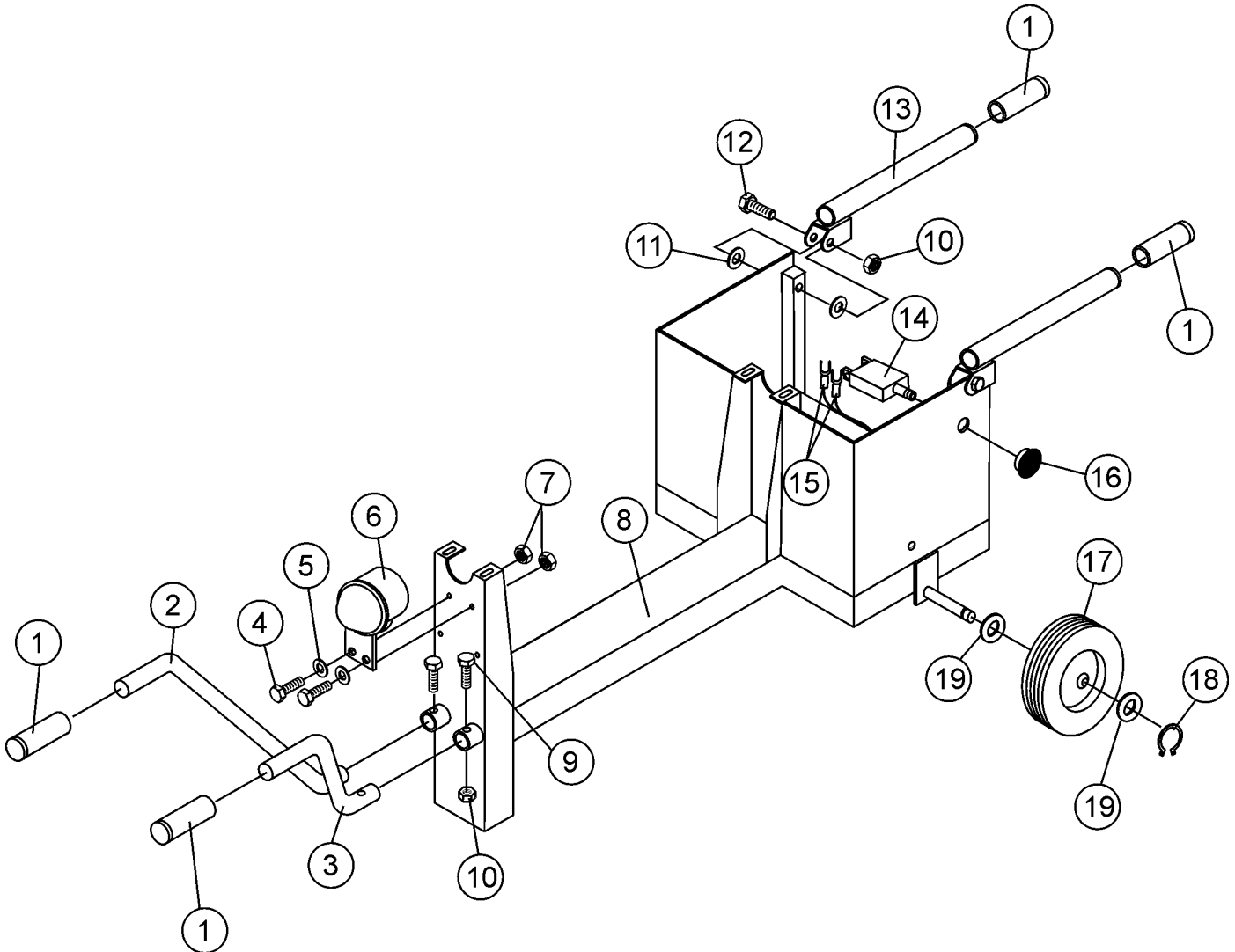
PADDLE SHAFT ASSY.



PADDLE SHAFT ASSY.

<u>NO.</u>	<u>PART NO.</u>	<u>PART NAME</u>	<u>QTY.</u>	<u>REMARKS</u>
1	29062-351	PADDLE SHAFT	1	
2	492584	NUT, LOCK 1/2"	6	
3	530181C	PADDLE ARM, CENTER ENGINE END	1	
4	492400	SCREW, HHC 1/2"-13 X 3-1/2	2	
5	EM200292	INSERT, PADDLE ARM	4	
6	530180C	PADDLE ARM, ENGINE END	1	
7	504322	WASHER, FLAT 1/2"	6	
8	EM200297	U-BOLT, END PADDLES	2	
9	530179C	PADDLE ARM, CENTER TOW END	1	
10#	505196	SCREW, HHC 5/16-18 X 1-3/4 G5	12	
11#	3019092	WASHER, FLAT 3/8"	12	
12#	514725	BLADE, SIDE, RUBBER	4	
13#	514726	BLADE, SIDE, SCRAPPER	4	
14#	1456	NUT, HEX FINISH 3/8-16" NC G5	12	
15#	0166A	WASHER, LOCK 3.8"	12	
16	530182C	PADDLE ARM, TOW END	1	
17#	530201	BLADE ,SCRAPPER END	2	
18#	33017-001	BLADE, RUBBER END	2	
19	80000-008	KIT, RUBBER BLADE SCRAPPER & HARDWARE	1	INCLUDES ITEMS W/#

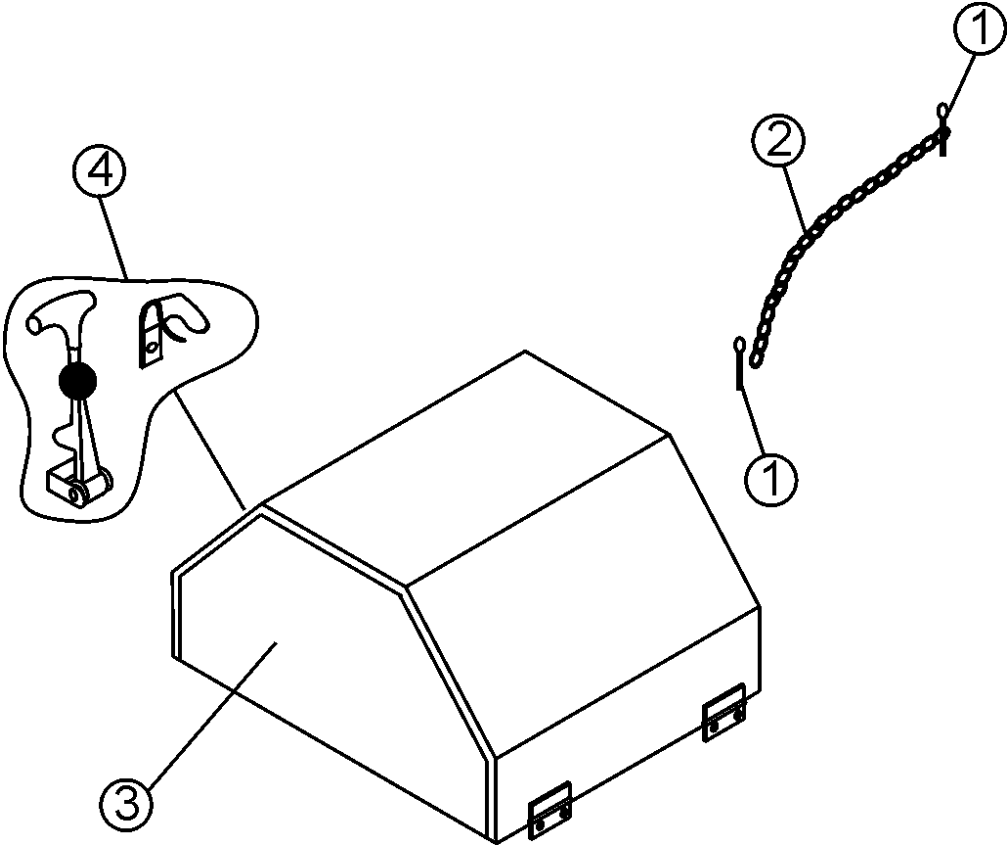
FRAME ASSY.



FRAME ASSY.

<u>NO.</u>	<u>PART NO.</u>	<u>PART NAME</u>	<u>QTY.</u>	<u>REMARKS</u>
1	EM98195	GRIP, RUBBER BLACK	4	
2	530467	HANDLE, FRONT-LEFT	1	
3	530226	HANDLE, FRONT-RIGHT	1	
4	492294	BOLT, HEX 1/4" NC X 3/4" G2	2	
5	2101402	WASHER, LOCK 1/4"	2	
6	517684	DUST CAP	1	
7	492581	NUT, 1/4-20 NYLOCK	2	
8	530168	FRAME	1	
9	492381	SCREW, 3/8 NC 2-1/2 G5	2	
10	EM969013	NUT, NYLOCK 3/8"	4	REPLACES P/N 492583
11	3019092	WASHER, FLAT 3/8"	4	REPLACES P/N 492598
12	EM217	BOLT, 3/8-16 X 2-1/2 HEX HD. GR 5	2	REPLACES P/N 492381
13	518062	HANDLE FOLDING	2	
14	29173-001	SWITCH, PUSH-PULL W/O KNOB	1	
15	504135C	WIRE HARNESS	1	
16	29174-001	KNOB MUSHROOM	1	
17	491002	WHEEL , TIRE ASSY.	2	
18	490957	SNAP RING 5100-100	2	
19	501299	WASHER, FLAT	4	

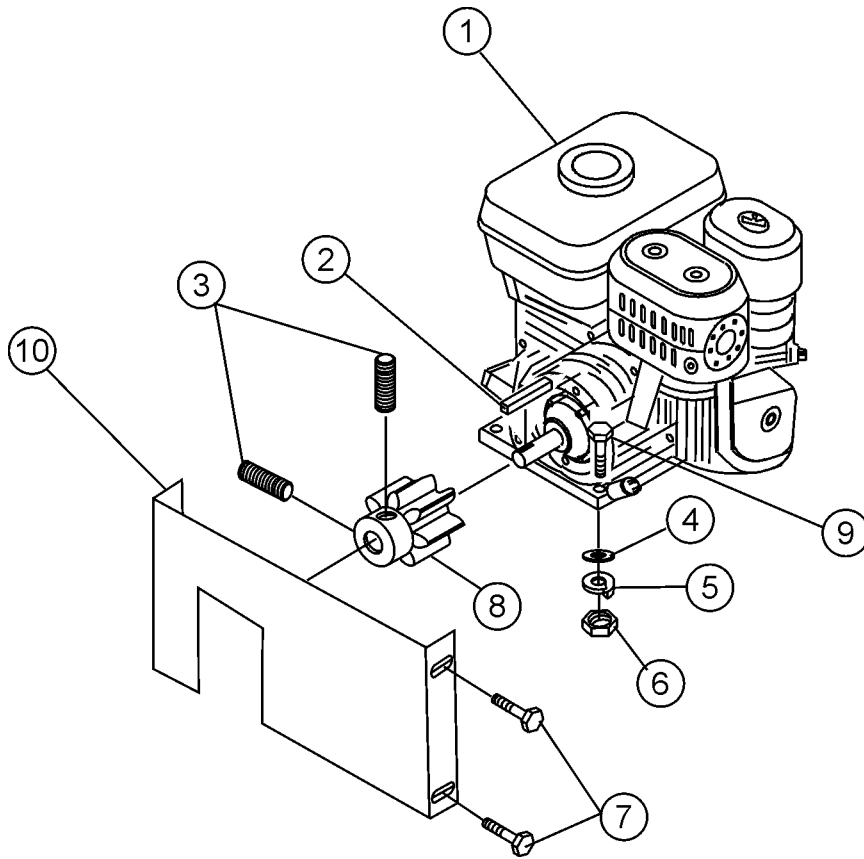
ENGINE COVER ASSY.



ENGINE COVER ASSY.

<u>NO.</u>	<u>PART NO.</u>	<u>PART NAME</u>	<u>QTY.</u>	<u>REMARKS</u>
1	07028-057	COTTER PIN 5/32 x 1/2	2	
2	18604-005	RETAINER CHAIN	1	
3	26922-351	ENGINE HOUSE ASSY.	1	
4	491010	LATCH ASSY.	1	

ENGINE/GUARD ASSY.



ENGINE/GUARD ASSY.

<u>NO.</u>	<u>PART NO.</u>	<u>PART NAME</u>	<u>QTY.</u>	<u>REMARKS</u>
1		ENGINE-5.5 H.P. HONDA, GX160UT1HX	1	
2	10057-016	SQUARE KEY 3/16 x 1-1/2	1	
3	18941-004	SOCKET SET SCREW 1/4-20 x1/4	2	
4	07030-005	FLATWASHER 5/16	4	
5	07029-005	LOCKWASHER 5/16	4	
6	07033-005	HEX NUT 5/16 -18	4	
7	06499-006	CAP SCREW 1/4-20 x 3/4	4	
8	33054-001	PINION GEAR	1	
9	06500-012	CAP SCREW 5/16 - 18 x 1-1/2	4	
10	530170	GEAR GUARD	1	

TERMS AND CONDITIONS OF SALE — PARTS

PAYMENT TERMS

Terms of payment for parts are net 30 days.

FREIGHT POLICY

All parts orders will be shipped collect or prepaid with the charges added to the invoice. All shipments are F.O.B. point of origin. Multiquip's responsibility ceases when a signed manifest has been obtained from the carrier, and any claim for shortage or damage must be settled between the consignee and the carrier.

MINIMUM ORDER

The minimum charge for orders from Multiquip is \$15.00 net. Customers will be asked for instructions regarding handling of orders not meeting this requirement.

RETURNED GOODS POLICY

Return shipments will be accepted and credit will be allowed, subject to the following provisions:

1. A Returned Material Authorization must be approved by Multiquip prior to shipment.
2. To obtain a Return Material Authorization, a list must be provided to Multiquip Parts Sales that defines item numbers, quantities, and descriptions of the items to be returned.
 - a. The parts numbers and descriptions must match the current parts price list.
 - b. The list must be typed or computer generated.
 - c. The list must state the reason(s) for the return.
 - d. The list must reference the sales order(s) or invoice(s) under which the items were originally purchased.
 - e. The list must include the name and phone number of the person requesting the RMA.
3. A copy of the Return Material Authorization must accompany the return shipment.
4. Freight is at the sender's expense. All parts must be returned freight prepaid to Multiquip's designated receiving point.

5. Parts must be in new and resalable condition, in the original Multiquip package (if any), and with Multiquip part numbers clearly marked.
6. The following items are not returnable:
 - a. Obsolete parts. (If an item is in the price book and shows as being replaced by another item, it is obsolete.)
 - b. Any parts with a limited shelf life (such as gaskets, seals, "O" rings, and other rubber parts) that were purchased more than six months prior to the return date.
 - c. Any line item with an extended dealer net price of less than \$5.00.
 - d. Special order items.
 - e. Electrical components.
 - f. Paint, chemicals, and lubricants.
 - g. Decals and paper products.
 - h. Items purchased in kits.
7. The sender will be notified of any material received that is not acceptable.
8. Such material will be held for five working days from notification, pending instructions. If a reply is not received within five days, the material will be returned to the sender at his expense.
9. Credit on returned parts will be issued at dealer net price at time of the original purchase, less a 15% restocking charge.
10. In cases where an item is accepted, for which the original purchase document can not be determined, the price will be based on the list price that was effective twelve months prior to the RMA date.
11. Credit issued will be applied to future purchases only.

PRICING AND REBATES

Prices are subject to change without prior notice. Price changes are effective on a specific date and all orders received on or after that date will be billed at the revised price. Rebates for price declines and added charges for price increases will not be made for stock on hand at the time of any price change.

Multiquip reserves the right to quote and sell direct to Government agencies, and to Original Equipment Manufacturer accounts who use our products as integral parts of their own products.

SPECIAL EXPEDITING SERVICE

A \$35.00 surcharge will be added to the invoice for special handling including bus shipments, insured parcel post or in cases where Multiquip must personally deliver the parts to the carrier.

LIMITATIONS OF SELLER'S LIABILITY

Multiquip shall not be liable hereunder for damages in excess of the purchase price of the item with respect to which damages are claimed, and in no event shall Multiquip be liable for loss of profit or good will or for any other special, consequential or incidental damages.

LIMITATION OF WARRANTIES

No warranties, express or implied, are made in connection with the sale of parts or trade accessories nor as to any engine not manufactured by Multiquip. Such warranties made in connection with the sale of new, complete units are made exclusively by a statement of warranty packaged with such units, and Multiquip neither assumes nor authorizes any person to assume for it any other obligation or liability whatever in connection with the sale of its products. Apart from such written statement of warranty, there are no warranties, express, implied or statutory, which extend beyond the description of the products on the face hereof.

Effective: February 22, 2006

OPERATION AND PARTS MANUAL

HERE'S HOW TO GET HELP

PLEASE HAVE THE MODEL AND SERIAL
NUMBER ON-HAND WHEN CALLING

UNITED STATES

Multiquip Corporate Office

18910 Wilmington Ave. Tel. (800) 421-1244
Carson, CA 90746 Fax (310) 537-3927
Contact: mq@multiquip.com

Service Department

800-421-1244 Fax: 310-537-4259
310-537-3700

Technical Assistance

800-478-1244 Fax: 310-943-2238

MQ Parts Department

800-427-1244 Fax: 800-672-7877
310-537-3700 Fax: 310-637-3284

Warranty Department

800-421-1244 Fax: 310-943-2249
310-537-3700

MEXICO

MQ Cipsa

Carr. Fed. Mexico-Puebla KM 126.5 Tel: (52) 222-225-9900
Momoxpan, Cholula, Puebla 72760 Mexico Fax: (52) 222-285-0420
Contact: pmastretta@cipsa.com.mx

CANADA

Multiquip

4110 Industriel Boul. Tel: (450) 625-2244
Laval, Quebec, Canada H7L 6V3 Tel: (877) 963-4411
Contact: jmartin@multiquip.com Fax: (450) 625-8664

UNITED KINGDOM

Multiquip (UK) Limited Head Office

Unit 2, Northpoint Industrial Estate, Tel: 0161 339 2223
Globe Lane, Fax: 0161 339 3226
Dukinfield, Cheshire SK16 4UJ
Contact: sales@multiquip.co.uk

© COPYRIGHT 2013, MULTIQUIP INC.

Multiquip Inc, the MQ logo and the Whiteman logo are registered trademarks of Multiquip Inc. and may not be used, reproduced, or altered without written permission. All other trademarks are the property of their respective owners and used with permission.

This manual MUST accompany the equipment at all times. This manual is considered a permanent part of the equipment and should remain with the unit if resold.

The information and specifications included in this publication were in effect at the time of approval for printing. Illustrations, descriptions, references and technical data contained in this manual are for guidance only and may not be considered as binding. Multiquip Inc. reserves the right to discontinue or change specifications, design or the information published in this publication at any time without notice and without incurring any obligations.

Your Local Dealer is:



Free Manuals Download Website

<http://myh66.com>

<http://usermanuals.us>

<http://www.somanuals.com>

<http://www.4manuals.cc>

<http://www.manual-lib.com>

<http://www.404manual.com>

<http://www.luxmanual.com>

<http://aubethermostatmanual.com>

Golf course search by state

<http://golfingnear.com>

Email search by domain

<http://emailbydomain.com>

Auto manuals search

<http://auto.somanuals.com>

TV manuals search

<http://tv.somanuals.com>