

PARTS AND OPERATION MANUAL

MQ POWER DCA-25SSAI WHISPERWATT™ GENERATOR

© COPYRIGHT 2001, MULTIQUIP INC.

PARTS LIST NO. 3336000

Final Copy (06/30/01)



MULTIQUIP INC.

18910 WILMINGTON AVE.
CARSON, CALIFORNIA 90746
310-537-3700
800-421-1244
FAX: 310-537-3927

PARTS DEPARTMENT:

800-427-1244
FAX: 800-672-7877

SERVICE DEPARTMENT:

800-835-2551
FAX: 310-638-8046

E-mail: mq@multiquip.com • **www:** www.multiquip.com



WARNING



CALIFORNIA--Proposition 65 Warning

Engine exhaust and some of its constituents are known to the State of California to cause cancer, birth defects and other reproductive harm.

HERE'S HOW TO GET HELP

*PLEASE HAVE THE MODEL AND SERIAL NUMBER
ON-HAND WHEN CALLING*

PARTS DEPARTMENT

800/427-1244 or 310/537-3700

FAX: 800/672-7877 or 310/637-3284

SERVICE DEPARTMENT

800/835-2551 or 310/537-3700

FAX: 310/638-8046

WARRANTY DEPARTMENT

800/835-2551 or 310/537-3700

FAX: 310/638-8046

MAIN

800/421-1244 or 310/537-3700

FAX: 310/537-3927

Here's How To Get Help	3
Table Of Contents	4
Parts Ordering Procedures	5
Rules for Safe Operation	6-9
Towing and Transportation	10
Trailer Safety Guidelines	11-15
Trailer Wiring Diagram	16
Operation Decals	17-18
DCA-25SSAI Specifications	19
General Information	20
Major Components	21
Dimensions	22
Control Panel Descriptions	24-25
Engine Operating Panel Descriptions	26-27
Output Terminal Panel Descriptions	28-29
Output Amperage Setup	30-31
Output Voltage Setup	32-35
Installation	36-37
Pre Setup	38-41
Load Application	42
Generator Start-up Procedure	43-45
Generator Shutdown Procedure	46
Maintenance	47-48
Generator Wiring Diagram	50
Engine Wiring Diagram	51
Engine Troubleshooting	52-53
Generator/Engine Troubleshooting	54
Explanation of Codes in Remarks Column	56
Suggested Spare Parts	57

ISUZU C240 ENGINE

Cylinder Head and Cover Assembly	86-87
Cylinder Block Assembly	88-89
Timing Gear Assembly	90-91
Flywheel Housing Assembly	92-93
Oil Pan Assembly	94-95
Oil Pump Assembly	96-97
Crankshaft, Bridge and Flywheel Assembly	98-99
Oil and Fuel Filter Assembly	100-101
Oil Pipe Assembly	102-103
Water Pump and Fan Assembly	104-105
Intake and Exhaust Manifold Assembly	106-107
Air Cleaner Assembly	108-109
Engine Foot Assembly	110-111
Injection Pump Assembly	112-113
Electrical Parts Assembly	114-115
Accessories	116-117
Injection Pump Comp. Assembly	118-121
Governor Comp. Assembly	122-127
Feed Pump Comp. Assembly	128-129
Auto Timer Assembly	130-131
Nozzle Holder Comp. Assembly	132-133
Starter Comp. Assembly	134-135
Alternator Comp. Assembly	136-139
Terms and Conditions of Sales	140

MQ POWER DCA-25SSAI AC GENERATOR

Generator Assembly	58-59
Control Box Assembly	60-61
Engine & Radiator Assembly	62-67
Engine Operating Panel Assembly	68-69
Output Terminal Assembly	70-71
Battery Assembly	72-73
Muffler Assembly	74-75
Fuel Tank Assembly	76-77
Enclosure Assembly	78-81
Rubber Seal Assembly	82-83
Name Plate And Decals	84-85

NOTE

***Specification and part number
are subject to change without
notice.***

- Dealer account number
- Dealer name and address
- Shipping address (if different than billing address)
- Return fax number
- Applicable model number
- Quantity, part number and description of each part
- Specify preferred method of shipment:
 - UPS Ground
 - UPS Second Day or Third Day*
 - UPS Next Day*
 - Federal Express Priority One (please provide us with your Federal Express account number)*
 - Airborne Express*
 - Truck or parcel post

**Normally shipped the same day the order is received, if prior to 2PM west coast time.*

Earn Extra Discounts when you order by FAX!

All parts orders which include complete part numbers and are received by fax qualify for the following extra discounts:

<u>Number of line items ordered</u>	<u>Additional Discount</u>
1-9 items	3%
10+ items**	5%

Get special freight allowances when you order 10 or more line items via FAX! **

- UPS Ground Service at no charge for freight
- PS Third Day Service at one-half of actual freight cost

No other allowances on freight shipped by any other carrier.

**Common nuts, bolts and washers (all items under \$1.00 list price) do not count towards the 10+ line items.

DISCOUNTS ARE SUBJECT TO CHANGE

Fax order discount and UPS special programs revised June 1, 1995

**Extra Fax Discount
for Domestic USA
Dealers Only**

**Up to 5%
extra savings!**

**UPS
Special**
For faxed orders only

**Now! Direct TOLL-FREE access
to our Parts Department!**

Toll-free nationwide:

800-421-1244

Toll-free FAX:

800/6-PARTS-7 • 800-672-7877

CAUTION:



Failure to follow instructions in this manual may lead to serious injury or even death! This equipment is to be operated by trained and qualified personnel only! This equipment is for industrial use only.

The following safety guidelines should always be used when operating the DCA-25SSAI portable generator:

GENERAL SAFETY

- **DO NOT** operate or service this equipment before reading this entire manual.



- This equipment should not be operated by persons under 18 years of age.

- **NEVER** operate this equipment without proper protective clothing, shatterproof glasses, steel-toed boots and other protective devices required by the job.



- **NEVER** operate this equipment when not feeling well due to fatigue, illness or taking medicine.



- **NEVER** operate this equipment under the influence of drugs or alcohol.



- **NEVER** use accessories or attachments, which are not recommended by MQ Power for this equipment. Damage to the equipment and/or injury to user may result.

- Manufacturer does not assume responsibility for any accident due to equipment modifications.

- Whenever necessary, replace nameplate, operation and safety decals when they become difficult read.

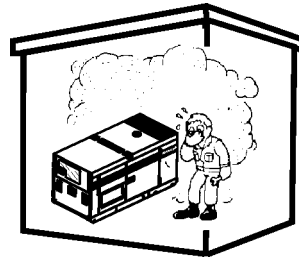
- Always check the machine for loosened threads or bolts before starting.

- **NEVER** touch the hot exhaust manifold, muffler or cylinder. Allow these parts to cool before servicing engine or generator.



- **High Temperatures** – Allow the engine to cool before adding fuel or performing service and maintenance functions. Contact with *hot* components can cause serious burns.

- The engine of this generator requires an adequate free flow of cooling air. Never operate the generator in any enclosed or narrow area where free flow of the air is restricted. If the air flow is restricted it will cause serious damage to the generator or engine and may cause injury to people. The



generator engine gives off DEADLY carbon monoxide gas.

CAUTION:



- Always refuel in a well-ventilated area, away from sparks and open flames.

- Always use extreme caution when working with **flammable** liquids. When refueling, **stop the engine** and allow it to cool. **DO NOT** smoke around or near the machine. Fire or explosion could result from fuel vapors, or if fuel is spilled on a hot engine.

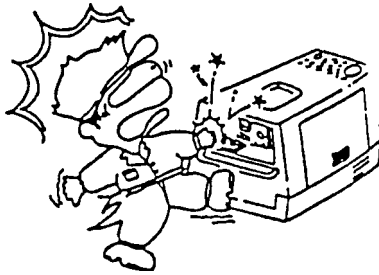


- **NEVER** operate the generator in an explosive atmosphere or near combustible materials. An explosion or fire could result causing severe *bodily harm or even death*.

- Topping-off to filler port is dangerous, as it tends to spill fuel.

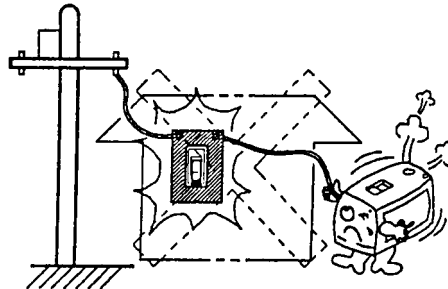
RULES FOR SAFE OPERATION

CAUTION:



■ **NEVER** touch output terminals during operation. This is extremely dangerous. Always stop the machine when contact with the output terminals is required.

CAUTION:



■ **Backfeed** to a utility system can cause electrocution and/or property damage. Do not connect to any building's electrical system except through an approved device or after building main switch is opened.

CAUTION:



■ **Never** use damaged or worn cables when connecting power tools or equipment to the generator. Make sure power connecting cables are securely connected to the generator's output terminals, insufficient tightening of the terminal connections may cause damage to the generator and electrical shock.

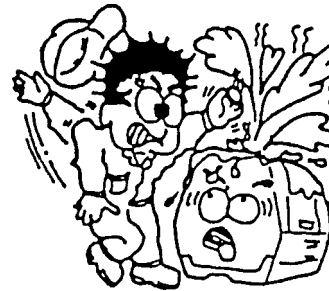
CAUTION:



DO NOT touch or open any of the below mentioned components while the generator is running. Always allow sufficient time for the engine and generator to cool before performing maintenance.

Radiator

1. **Radiator Cap** - Removing the radiator cap while the engine is hot will result in high pressurized, boiling water to gush out of the radiator, causing severe scalding to any persons in the general area of the generator.



2. **Coolant Drain Plug** - Removing the coolant drain plug while the engine is hot will result in hot coolant to gush out of the coolant drain plug, therefore causing severe scalding to any persons in the general area of the generator.
3. **Engine Oil Drain Plug** - Removing the engine oil drain plug while the engine is hot will result in hot oil to gush out of the oil drain plug, therefore causing severe scalding to any persons in the general area of the generator.

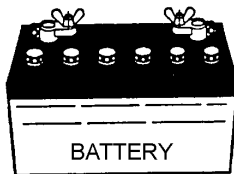
Battery

CAUTION:



Never over fill the battery with water above the upper limit.

The battery contains acids that can cause injury to the eyes and skin. To avoid eye irritation, always wear safety glasses. Use well insulated gloves when picking up the battery. Use the following guidelines when handling the battery:



1. **DO NOT** drop the battery. There is the possibility of risk that the battery may explode.
2. **DO NOT** expose the battery to open flames, sparks, cigarettes etc. The battery contains combustible gases and liquids. If these gases and liquids come in contact with a flame or spark, an explosion could occur.
3. Always keep the battery charged. If the battery is not charged a buildup of combustible gas will occur.
4. Always keep battery charging and booster cables in good working condition. Repair or replace all worn cables.
5. Always recharge the battery in an open air environment, to avoid risk of a dangerous concentration of combustible gases.
6. In case the battery liquid (dilute sulfuric acid) comes in contact with **clothing or skin**, rinse skin or clothing immediately with plenty of water.
7. In case the battery liquid (dilute sulfuric acid) comes in contact with your **eyes**, rinse eyes immediately with plenty of water, then contact the nearest doctor or hospital, and seek medical attention.

- **NEVER** Run engine without air filter. Severe engine damage may occur.
- Always service air cleaner frequently to prevent carburetor malfunction.
- Always disconnect the battery before performing service on the generator.
- Always be sure the operator is familiar with proper safety precautions and operations techniques before using generator.
- Always store equipment properly when not in use. Equipment should be stored in a clean, dry location out of the reach of children.
- **DO NOT** leave the generator running in the manual mode unattended.
- **DO NOT** allow unauthorized people to operate this equipment.
- Always read, understand, and follow procedures in Operator's Manual before attempting to operate equipment.
- Refer to the **Isuzu Engine Owner's Manual** for engine technical questions or information.

Loading and Unloading (Crane)

- Before lifting, make sure the generator's lifting hook is secure and that there is no apparent damage to the generator itself (loose screws, nuts and bolts). If any part is loose or damaged, please take corrective action before lifting.
- Always drain fuel prior to lifting.
- Always make sure crane or lifting device has been properly secured to the hook of guard frame on generator.
- **NEVER** lift the machine while the engine is running.
- Use adequate lifting cable (wire or rope) of sufficient strength.
- When lifting the generator, always use the balanced center-point suspension hook and lift straight upwards.
- **NEVER** allow any person or animal to stand underneath the machine while lifting.
- When loading the generator on a truck, be sure to use the front and back frame bars as a means to secure the generator during transport.

Transporting

- Always shutdown engine before transporting.
- Tighten fuel tank cap securely.
- Drain fuel when transporting generator over long distances or bad roads.
- Always tie-down the generator during transportation by securing the generator.
- If generator is mounted on a trailer, make sure trailer complies with all local and state safety transportation laws. See page 10 for basic towing procedures.

Emergencies

- Always know the location of the nearest **fire extinguisher** and **first aid kit**. Know the location of the nearest telephone. Also know the phone numbers of the nearest **ambulance**, **doctor** and **fire department**.

Maintenance Safety

- **NEVER** lubricate components or attempt service on a running machine.
- Always allow the machine a proper amount of time to cool before servicing.
- Keep the machinery in proper running condition.
- Fix damage to the machine immediately and always replace broken parts.
- Dispose of hazardous waste properly. Examples of potentially hazardous waste are used motor oil, coolant, fuel, and fuel filters.
- **DO NOT** use plastic containers to dispose of hazardous waste.
- **DO NOT** pour waste, oil, coolant or fuel directly onto the ground, down a drain or into any water source.

DCA-25SSAI — TOWING RULES FOR SAFE OPERATION

Towing Safety Precautions

CAUTION :



Check with your county or state safety towing regulations department before towing your generator.

To reduce the possibility of an accident while transporting the generator on public roads, always make sure the trailer (Figure 1) that supports the generator and the towing vehicle are in good operating condition and both units are mechanically sound.

The following list of suggestions should be used when towing your generator:

- Make sure the hitch and coupling of the towing vehicle are rated equal to, or greater than the trailer "gross vehicle weight rating" (GVWR).
- **ALWAYS** inspect the hitch and coupling for wear. **NEVER** tow a trailer with defective hitches, couplings, chains etc.
- Check the tire air pressure on both towing vehicle and trailer. Also check the tire tread wear on both vehicles.
- **ALWAYS** make sure the trailer is equipped with a "Safety Chain".

- **ALWAYS** attach trailer's safety chain to bumper of towing vehicle.
- **ALWAYS** make sure the vehicle and trailer directional, backup, brake, and trailer lights are connected and working properly.
- The maximum speed for highway towing is **45 MPH** unless posted otherwise. Recommended off-road towing is not to exceed **10 MPH** or less depending on type of terrain.
- Place *chocked blocks* underneath wheel to prevent **rolling**, while parked.
- Place *support blocks* underneath the trailer's bumper to prevent **tipping**, while parked.
- Use the trailer's hand winch to adjust the height of the trailer, then insert locking pin to lock wheel stand in place, while parked.
- Avoid sudden stops and starts. This can cause skidding, or jack-knifing. Smooth, gradual starts and stops will improve gas mileage.
- Avoid sharp turns to prevent rolling.
- Remove wheel stand when transporting.
- **DO NOT** transport generator with fuel in tank.

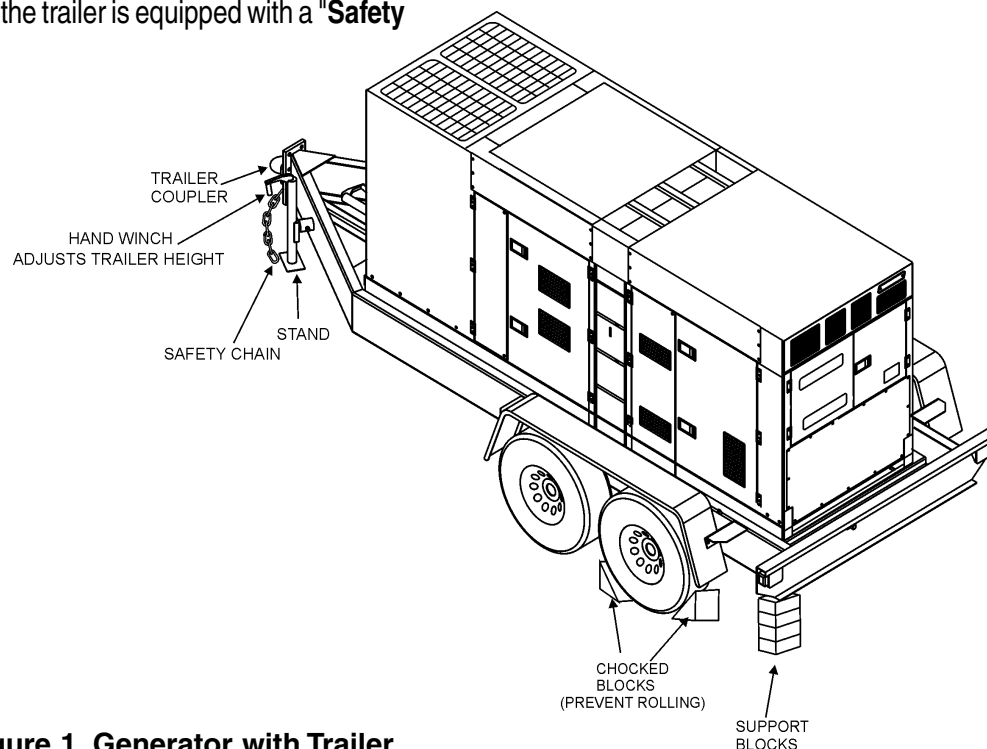


Figure 1. Generator with Trailer

CAUTION:



ALWAYS make sure the trailer is in good operating condition. Check the tires for proper inflation and wear. Also check the wheel lug nuts for proper tightness.

Explanation of Chart:

This section is intended to provide the user with trailer service and maintenance information. The service and maintenance guidelines referenced in this section apply a wide range of trailers. Remember periodic inspection of the trailer will ensure safe towing of the equipment and will prevent damage to the equipment and personal injury.

It is the purpose of this section to cover the major maintenance components of the trailer. The following trailer components will be discussed in this section:

- Tires
- Lug Nut Torquing
- Suspension
- Electrical

Use the following definitions with reading Table 1.

1. **Fuel Cell** - Provides an adequate amount of fuel for the equipment in use. Fuel cells must be empty when transporting equipment.
2. **Braking System** - System employed in stopping the trailer. Typical braking systems are electric, surge, hydraulic, hydraulic-surge and air.
3. **GVWR**- Gross Vehicle Weight Rating (GVWR), is the maximum number of pounds the trailer can carry, including the fuel cell (empty).
4. **Frame Length** - This measurement is from the ball hitch to the rear bumper (reflector).
5. **Frame Width** - This measurement is from fender to fender.
6. **Jack Stand** - Trailer support device with maximum pound requirement from the tongue of the trailer.
7. **Coupler** - Type of hitch used on the trailer for towing.
8. **Tire Size** - Indicates the diameter of the tire in inches (10,12,14, etc.), and the width in millimeters (175,185,205, etc.). The tire diameter must match the diameter of the tire rim.
9. **Tire Ply** - The tire ply (layers) number is rated in letters; 2-ply,4-ply,6-ply, etc.
10. **Wheel Hub** - The wheel hub is connected to the trailer's axle.
11. **Tire Rim** - Tires mounted on a tire rim. The tire rim must match the size of the tire.
12. **Lug Nuts** - Used to secure the wheel to the wheel hub. Always use a torque wrench to tighten down the lug nuts. See Table 4 and Figure 5 or lug nut tightening and sequence.
13. **Axle** - Indicates the maximum weight the axle can support in pounds, and the diameter of the axle expressed in inches (see Table 3). Please note that some trailers have a double axle. This will be shown as 2-6000 lbs., meaning two axles with a total weight capacity of 6000 pounds.
14. **Suspension** - Protects the trailer chassis from shocks transmitted through the wheels. Types of suspension used are leaf, Q-flex, and air ride.
15. **Electrical** - Electrical connectors (looms) are provided with the trailer so the brake lights and turn signals can be connected to the towing vehicle.
16. **Application** - Indicates which units can be employed on a particular trailer.

DCA-25SSAI — TRAILER-SPECIFICATIONS

Table 1. Specifications

MODEL	APPLICATION	FUEL CELL	BRAKE SYSTEM	GVWR	FRAME LENGTH	FRAME WIDTH	JACK STAND
TRLR-10W	SDW225, SGW250,TLW300	NO	NO	1900LBS	96"	50"	800LB. FULL TILT WHEEL
TRLR-10	DCA10, TLG12, DCA-15	NO	NO	1900LBS	96"	50"	800LB. FULL TILT WHEEL
TRLR-10XF	DCA10, TLG-12, DCA15, TLW-300	52 GAL	NO	1900LBS	96"	50"	800LB. FULL TILT WHEEL
TRLR-225W	WELDERS, DA7000SS	NO	NO	2200LBS	85"	42"	800LB. FULL TILT WHEEL
TRLR-BLW400	BLW-400	NO	ELECTRIC	2700LBS	W/MAST 154" W/O 124"	55" (78" TALL)	800LB. FULL TILT WHEEL
TRLR-50X	DCA-25	NO	NO	2700LBS	124"	55"	800LB. FULL TILT WHEEL
TRLR-50XF	DCA-25	41 GAL	NO	2700LBS	124"	55"	800LB. FULL TILT WHEEL
TRLR-70W	DCA-45, -60, 70	NO	SURGE	7000LBS	186"	77"	2000LB. FLAT PAD
TRLR-70X	DCA-45, -60, 70	OPT	SURGE	7000LBS	138"	66"	2000LB. FLAT PAD
TRLR-70XF	DCA-45, -60, 70	53 GAL	SURGE	7000LBS	138"	66"	2000LB. FLAT PAD
TRLR-100XF	DCA-100, 125	150 GAL	HYDRAULIC SURGE	7000LBS	190"	76"	2000LB. FLAT PAD
TRLR-85/125	DCA-85, 100, 125	145 GAL	HYDRAULIC	10000LBS	186"	77"	2000LB. FLAT PAD
TRLR-150XF	DCA-150, 180	200 GAL	HYDRAULIC SURGE	11160LBS	204"	84"	5000 LB. FLAT PAD
TRLR-220XF	DCA-220	250 GAL	HYDRAULIC SURGE	14000LBS	222"	83"	5000 LB. FLAT PAD
TRLR-300XF	DCA-300	250 GAL	HYDRAULIC SURGE	18000LBS	238"	83"	5000 LB. FLAT PAD
TRLR-400XF	DCA-400	350 GAL	ELECTRIC	18000LBS	238"	83"	5000 LB. FLAT PAD
TRLR-600XF	DCA-600, 800	550 GAL	AIR	30000LBS	384"	96"	5000 LB. FLAT PAD
TRLR-800SX	DCA-600, 800	550 GAL	AIR	30000LBS	384"	96"	5000 LB. FLAT PAD

DCA-25SSAI — TRAILER-SPECIFICATIONS

Table 1. Specifications (Con't)

MODEL	COUPLER	TIRES	WHEELS	AXLE	HUBS	SUSPENSION	ELECTRICAL
TRLR-10W	2" BALL CLASS 2 ADJUSTABLE	175-13C	13"X4.50"	2200# 2X2	5 LUG	3 LEAF	4 WIRE LOOM W/ 4 POLE FLAT
TRLR-10	2" BALL CLASS 2 ADJUSTABLE	175-13C	13"X4.5"	2200#2X2	5 LUG	3 LEAF	4 POLE FLAT
TRLR-10XF	2" BALL CLASS 2 ADJUSTABLE	175-13C	13"X4.5"	2200#2X2	5 LUG	3 LEAF	4 POLE FLAT
TRLR-225W	2" BALL CLASS 2 ADJUSTABLE	175-13B	13X4.5"	2200#2X2	5 LUG	Q FLEX	4 POLE FLAT
TRLR-BLW 400	2" BALL CLASS 2 ADJUSTABLE	175-13C	13 X 4.5"	2200#2X2	5 LUG	3 LEAF	4 POLE FLAT
TRLR-50X	2" BALL CLASS	B78-13LRC	13"X4.50"	3500lbs. 2-3/8"	5 LUG	4 LEAF	4 POLE RUBBER FLAT
TRLR-50XF	2" BALL CLASS	B78-13LRC	13"X4.50"	3500lbs. 2-3/8"	5 LUG	4 LEAF	4 POLE RUBBER FLAT
TRLR-70W	2" BALL CLASS 3" ADJUSTABLE	205-14C BIAS (4)	14"X5"	3500lbs. 3"	5 LUG	5 LEAF	4 POLE RUBBER FLAT
TRLR-70X	2" BALL CLASS 3" ADJUSTABLE	205-14C BIAS (4)	14"X5"	3500lbs 3"	5 LUG	5 LEAF	4 POLE RUBBER FLAT
TRLR-70XF	2" BALL CLASS 3" ADJUSTABLE	205-14C BIAS (4)	14"X5"	3500lbs. 3"	5 LUG	5 LEAF	4 POLE RUBBER FLAT
TRLR-100XF	ADJUSTABLE 2-5/6 OPT 3" EYE	205-15C BIAS (4)	14"X5.5"	3500lbs 3"	5 LUG	5 LEAF	4 WIRE LOOM
TRLR-85/125	ADJUSTABLE 2-5/6 OPT 3" EYE	ST225/75R15D RADIAL (4)	14"x6"	(2)-6000lbs	6 LUG	7 LEAF	4 WIRE LOOM
TRLR-150XF	3" BALL EYE	750-16 E BIAS (4)	16"X7"	(2)-6000lbs	8 LUG	7 LEAF	4 WIRE LOOM
TRLR-220XF	3" EYE ADJUSTABLE	ST235/85R16E RADIAL(4)	16"X7"	(2)-7000lbs	8 LUG	Q FLEX	4 WIRE LOOM
TRLR-300XF	3" EYE ADJUSTABLE	ST235/85R16E RADIAL(6)	16"X7"	(2)-6000lbs	8 LUG	Q FLEX	4 WIRE LOOM
TRLR-400XF	3" EYE ADJUSTABLE	ST235/85R16E RADIAL(6)	16"X7"	(3)-7000lbs.	8 LUG	Q FLEX	4 WIRE LOOM
TRLR-600XF	5TH WHEEL	ST215/75R17.5H RADIAL (8)	16"X7"	(3)-10000lbs	8 LUG	7 LEAF	6 WIRE LOOM
TRLR-800AR	5TH WHEEL	ST215/75R17.5H RADIAL (8)	16"X7"	(3)-10000lbs	8 LUG	AIR-RIDE	6 WIRE LOOM

Tires/Wheels/Lug Nuts

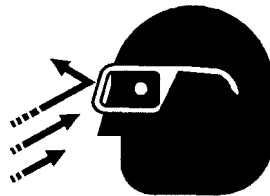
Tires and wheels are a very important and critical components of the trailer. When specifying or replacing the trailer wheels it is important the wheels, tires, and axle are properly matched.

CAUTION:



DO NOT attempt to repair or modify a wheel. DO NOT install in inner tube to correct a leak through the rim. If the rim is cracked, the air pressure in the inner tube

may cause pieces of the rim to explode (break off) with great force and cause serious eye or bodily injury.



Tire Wear/Inflation

Tire inflation pressure is the most important factor in tire life. Pressure should be checked cold before operation. DO NOT bleed air from tires when they are hot. Check inflation pressure weekly during use to insure the maximum tire life and tread wear.

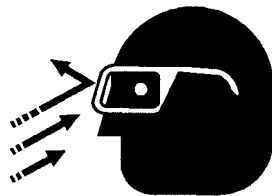
Table 2 (Tire Wear Troubleshooting) will help pinpoint the causes and solutions of tire wear problems.

TABLE 2. TIRE WEAR TROUBLESHOOTING			
WEAR PATTERN		CAUSE	SOLUTION
	Center Wear	Over Inflation.	Adjust pressure to particular load per tire manufacturer.
	Edge Wear	Under Inflation.	Adjust pressure to particular load per tire manufacturer.
	Side Wear	Loss of camber or overloading.	Make sure load does not exceed axle rating. Align wheels.
	Toe Wear	Incorrect toe-in.	Align wheels.
	Cupping	Out-of-balance.	Check bearing adjustment and balance tires.
	Flat Spots	Wheel lockup & tire skidding.	Avoid sudden stops when possible and adjust brakes.

Suspension

The leaf suspension springs and associated components (Figure 2) should be visually inspected every 6,000 miles for signs of excessive wear, elongation of bolt holes, and loosening of fasteners. Replace all damaged parts (suspension) immediately. Torqued suspension components as detailed in Table 3.

CAUTION:



NOTE

ALWAYS wear safety glasses when removing or installing force fitted parts. Failure to comply may result in serious injury.

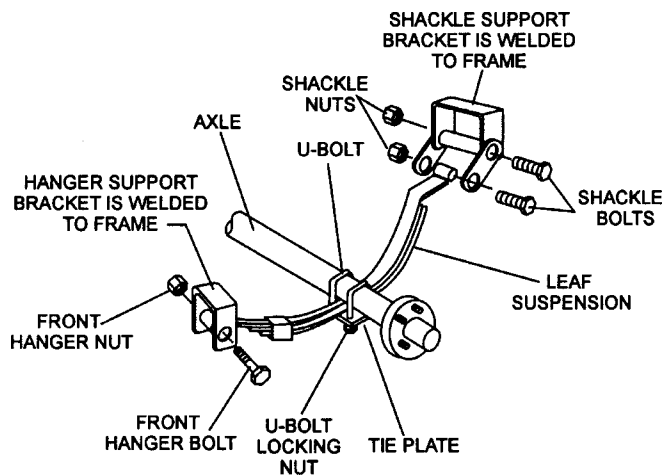


Figure 2. Major Suspension Components

Table 3. Suspension Torque Requirements

Item	Torque (Ft.-Lbs.)
3/8" U-BOLT	MIN-30 MAX-35
7/16" U-BOLT	MIN-45 MAX-60
1/2" U-BOLT	MIN-45 MAX-60
SHACKLE BOLT SPRING EYE BOLT	SNUG FIT ONLY. PARTS MUST ROTATE FREELY. LOCKING NUTS OR COTTER PINS ARE PROVIDED TO RETAIN NUT-BOLT ASSEMBLY.
SHOULDER TYPE SHACKLE BOLT	MIN-30 MAX-50

Lug Nut Torque Requirements

It is extremely important to apply and maintain proper wheel mounting torque on the trailer. Be sure to use only the fasteners matched to the cone angle of the wheel. Proper procedure for attachment of the wheels is as follows:

1. Start all wheel lug nuts by hand.
2. Torque all lug nuts in sequence. See Figure 3. **DO NOT** torque the wheel lug nuts all the way down. Tighten each lug nut in 3 separate passes as defined by Table 4.
3. After first road use, retorque all lug nuts in sequence. Check all wheel lug nuts periodically.

Table 4. Tire Torque Requirements

Wheel Size	First Pass FT-LBS	Second Pass FT-LBS	Third Pass FT-LBS
12"	20-25	35-40	50-65
13"	20-25	35-40	50-65
14"	20-25	50-60	90-120
15"	20-25	50-60	90-120
16"	20-25	50-60	90-120

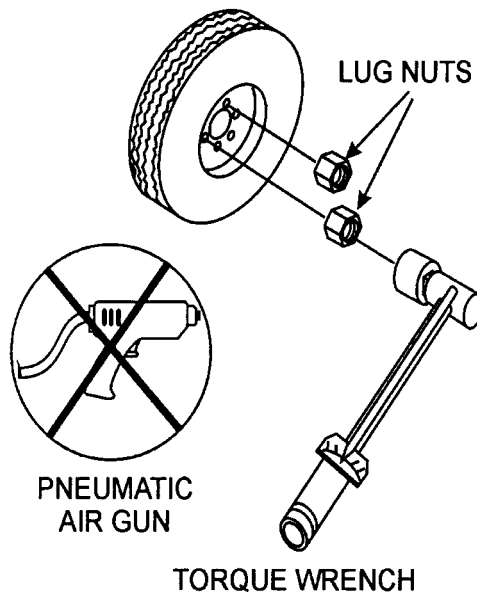
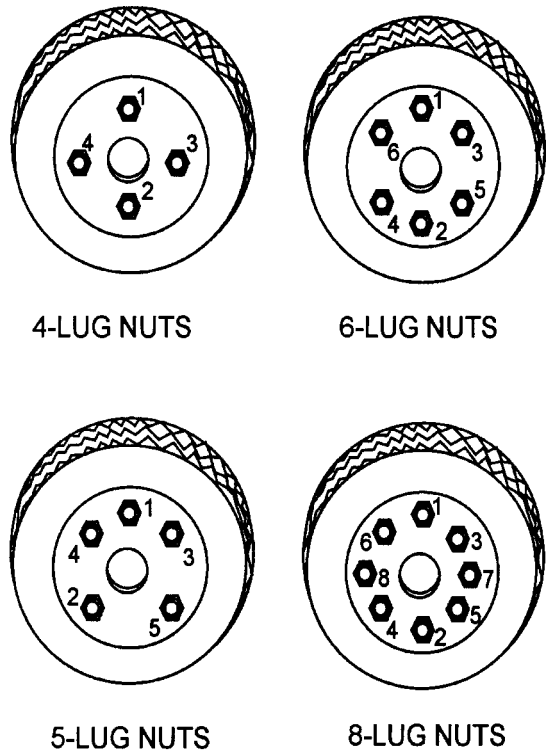
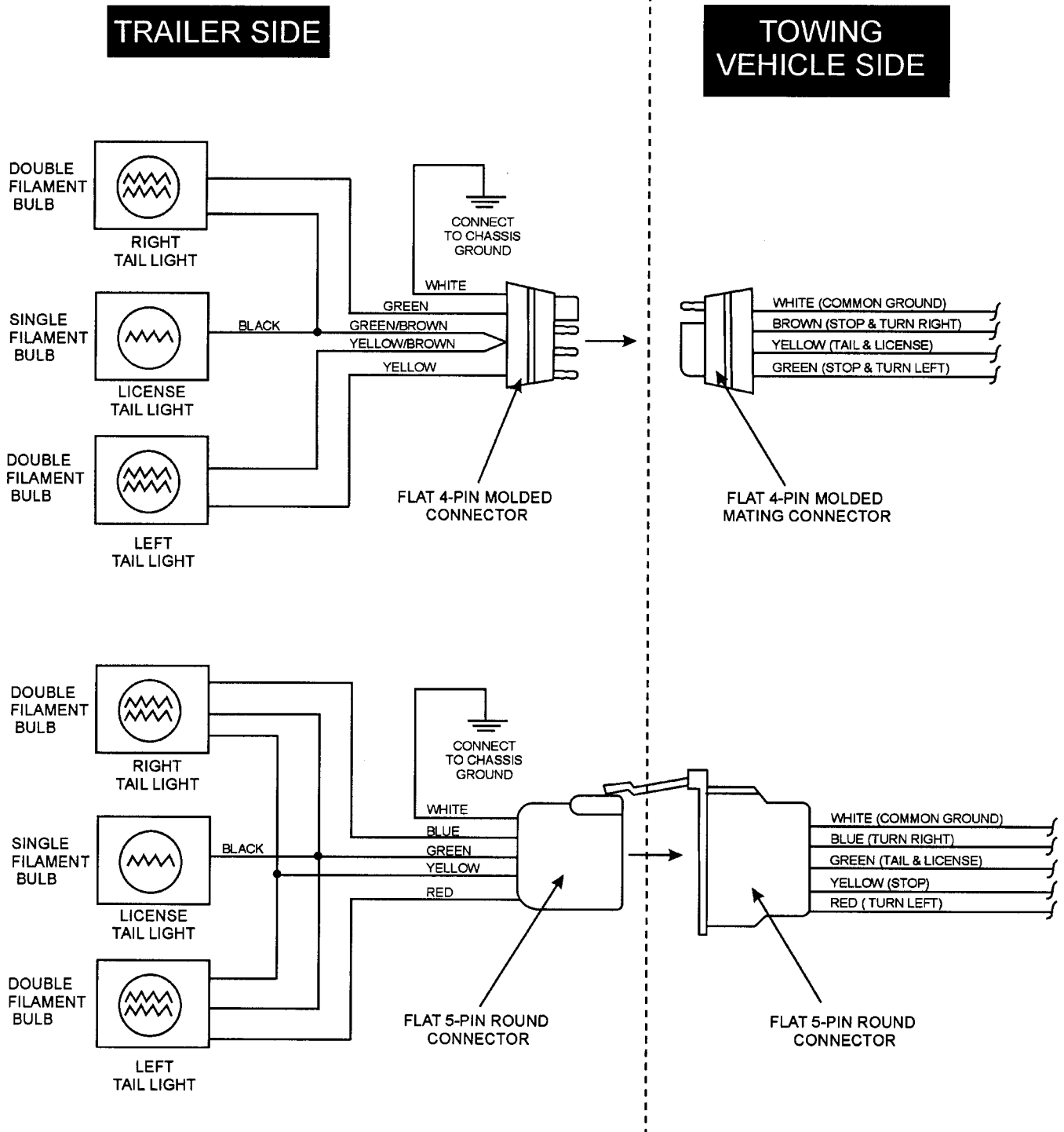


Figure 3. Wheel Lug Nuts Tightening Sequence

NOTE

NEVER use an pneumatic air gun to tighten wheel lug nuts.

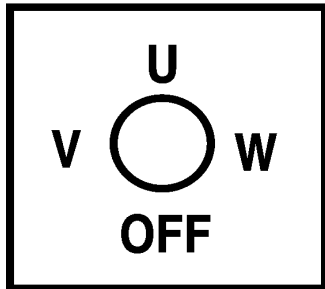
DCA-25SSAI — TRAILER-WIRING DIAGRAM



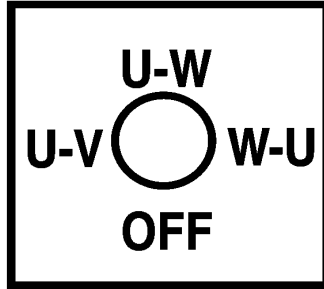
NOTE:
LIGHTS ARE ORIENTED FROM THE DRIVER'S SEAT

DCA-25SSAI — GENERATOR DECALS

The DCA-25SSAI generator is equipped with a number of safety decals. These decals are provided for operator safety and maintenance information. The illustration below and on the preceding pages show the decals as they appear on the machine. Should any of these decals become unreadable, replacements can be obtained from your dealer.



P/N M9520000104



P/N M9520000204

SAFETY INSTRUCTIONS

Improper operation of this machine can cause severe injury or death.

- Read the instruction manual carefully before operating or servicing.

This machine should only be operated by a person with sufficient knowledge and skill to ensure safe operation.

High voltage circuits are located inside the output terminal cover and control panel.

- Close the cover and control panel before operating.

Moving parts and hot surfaces are contained within the enclosure.

- Close all doors and lock them before operating.

M92010030

P/N M9520100304



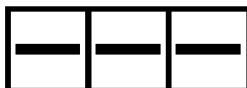
P/N M9510200002



P/N M9500500004



P/N M9500300104



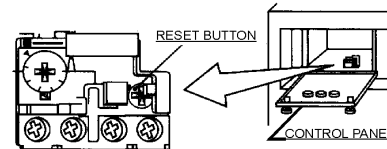
P/N M9500300004



P/N M9500000004

OVER CURRENT RELAY

If it is impossible to reset the CIRCUIT BREAKER, open the control panel and push the RESET BUTTON as below.



M92020010

P/N M9520200104

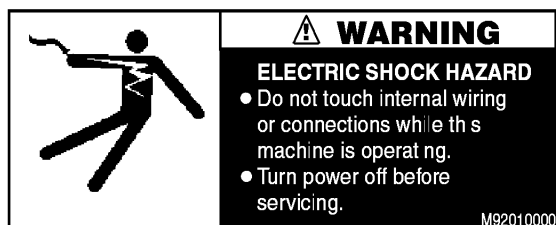


P/N M9500500104

WATER • OIL CHECK AND FILL DAILY

M90300010

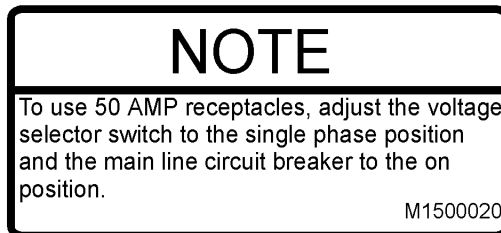
P/N M9503000103



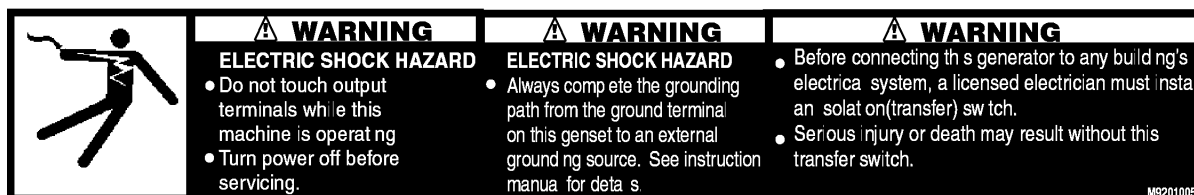
P/N M9520100004



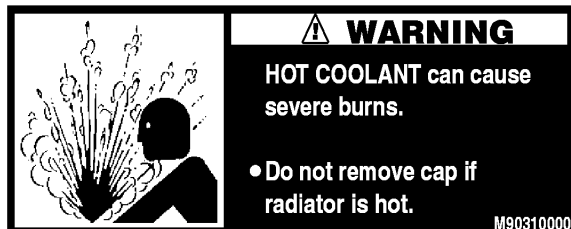
P/N M9520100401



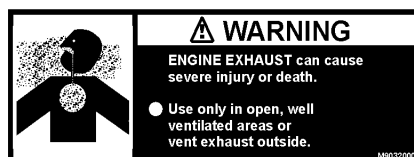
P/N M1550000204



P/N M9520100503



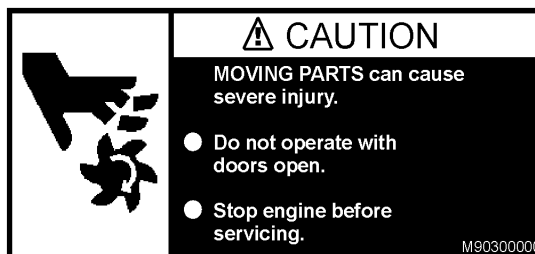
P/N M9503100004



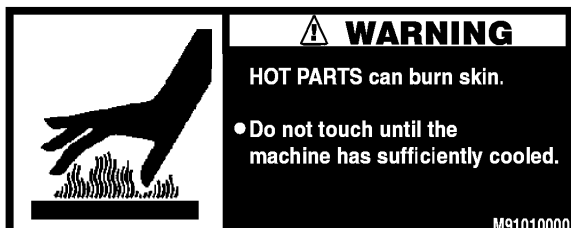
P/N M9503200004



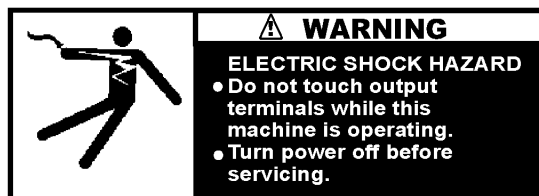
P/N M9520100204



P/N M9503000004



P/N M9510100004



P/N M9520100503

DCA-25SSAI — SPECIFICATIONS

Table 5. Specifications		
Generator Specifications		
Model	DCA-25SSAI	
Type	Revolving field, self ventilated, open protected type synchronous	
Armature Connection	Star with Neutral	Zig Zag
Phase	3	Single
Standby Output	26.5 KVA (21.2 KW)	15.3KW
Prime Output	25 KVA (20 KW)	14.4KW
Voltage	240V or 480V	240/120V
Frequency	60 Hz	
Speed	1800 rpm	
Power Factor	0.8	1
Aux. AC Power	Single Phase, 60 Hz	
Voltage	120 V	
Output	4.8 KW (2.4 KW x 2)	
Engine Specifications		
Model	Isuzu C240	
Type	4 Cycle, water-cooled, swirl combustion chamber	
No. of Cylinders	4 cylinders	
Bore x Stroke	3.38 in. x 4 in. (86 mm x 102 mm)	
Rated Output	30.6HP/1800 rpm	
Displacement	144 cu. in. (2369cc)	
Starting	Electric	
Coolant Capacity	2.9 gal. (11 liters)	
Lube Oil Capacity	1.45 gal. (5.5 liters)	
Fuel Consumption	1.65 gal. (6.3L)/hr at full load	1.3 gal. (5.0L)/hr at 3/4 load
	0.9 gal. (3.4L)/hr at 1/2 load	0.6 gal. (2.3L)/hr at 1/4 load
Battery	12V- 70AH	
Fuel	#2 Diesel Fuel	

DCA-25SSAI FAMILIARIZATION

Generator

The MQ Power Model DCA-25SSAI is a 20 kW **generator** that is designed as a high quality portable (requires a trailer for transport) power source for telecom sites, lighting facilities, power tools, submersible pumps and other industrial and construction machinery.

Engine Operating Panel

The "Engine Operating Panel" is provided with the following:

- Tachometer
- Water Temperature Gauge
- Oil Pressure Gauge
- Charging Ammeter Gauge
- Fuel level gauge
- Engine Throttle Lever
- Pre-Heat Light
- Alarm Lights
- Panel Light
- Panel Light Switch
- Starter Switch

Generator Control Panel

The "Generator Control Panel" is provided with the following:

- Output Voltage Adjustment Knob
- Frequency Meter (Hz)
- AC Ammeter (Amps)
- AC Voltmeter (Volts)
- Ammeter Change-Over Switch
- Voltmeter Change-Over Switch

Output Terminal Panel

The "Output Terminal Panel" is provided with the following:

- Three 120/240V output receptacles, 50 amp
- Two 120V input receptacles, 20 amp
- 3 Load Circuit Breakers 240V @50 amps
- 2 Load GFCI Circuit Breakers 120V@ 20amps

Control Box

The "Control Box" is provided with the following:

- Main Circuit Breaker 60 amps
- Over-Current Relay

Open Delta Excitation System

The DCA-25SSAI generator is equipped with the state of the art "**Open-Delta**" excitation system. The open delta system consist of an electrically independent winding wound among stationary windings of the AC output section.

There are four leads: A, B, C and D. During light loads, the power to the **Automatic Voltage Regulator (AVR)** is supplied from the leads parallel connections of B&C. When loads increase, the AVR switches and accepts power from leads A&D. The output of leads A&D increase proportionally with load. This of adding the voltages to each phase provides better voltage response during heavy loads.

The connections of the AVR to the AC output windings are for sensing only. No power is required from these windings.

The open-delta design provides virtually unlimited excitation current, offering maximum motor starting capabilities. The excitation does not have a "**fixed ceiling**" and responds according the demands of the required load.

Engine

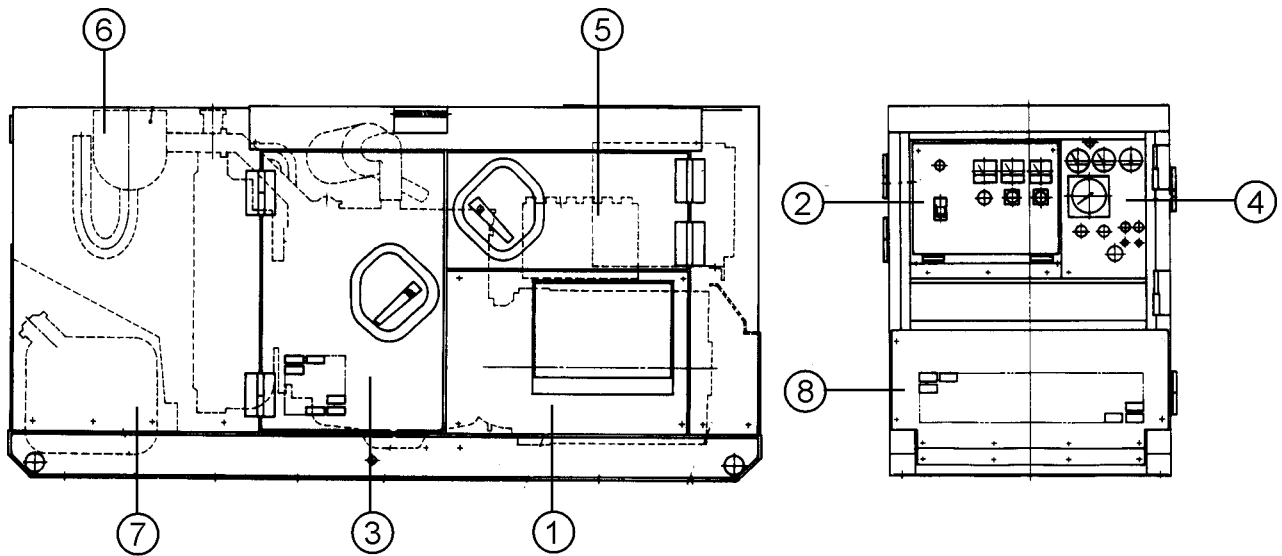
The **DCA-25SSAI** is powered by a 4 cycle, water cooled, turbocharged Isuzu QD60(C640) **diesel** engine. This engine is designed to meet every performance requirement for the generator. Reference Table 5, page 19 for engine specifications.

In keeping with MQ Power's policy of constantly improving its products, the specifications quoted herein are subject to change without prior notice.

The basic controls and indicators for the DCA-25SSAI generator are addressed on the following pages.

Mechanical Governor System

The mechanical governor system control the RPM of the engine. When the engine demands increase or decrease, the mechanical governor system regulates the frequency variation to $\pm 1.5\%$. The electronic governor option increases frequency variation to $\pm .25\%$.



NO	ITEM
1	GENERATOR ASSY.
2	CONTROL BOX ASSY.
3	ENGINE AND RADIATOR ASSY.
4	ENGINE OPERATING PANEL ASSY.
5	BATTERY ASSY.
6	MUFFLER ASSY.
7	FUEL TANK ASSY.
8	ENCLOSURE ASSY.

Figure 4. Major Components

DCA-25SSAI — DIMENSIONS (TOP, SIDE AND FRONT)

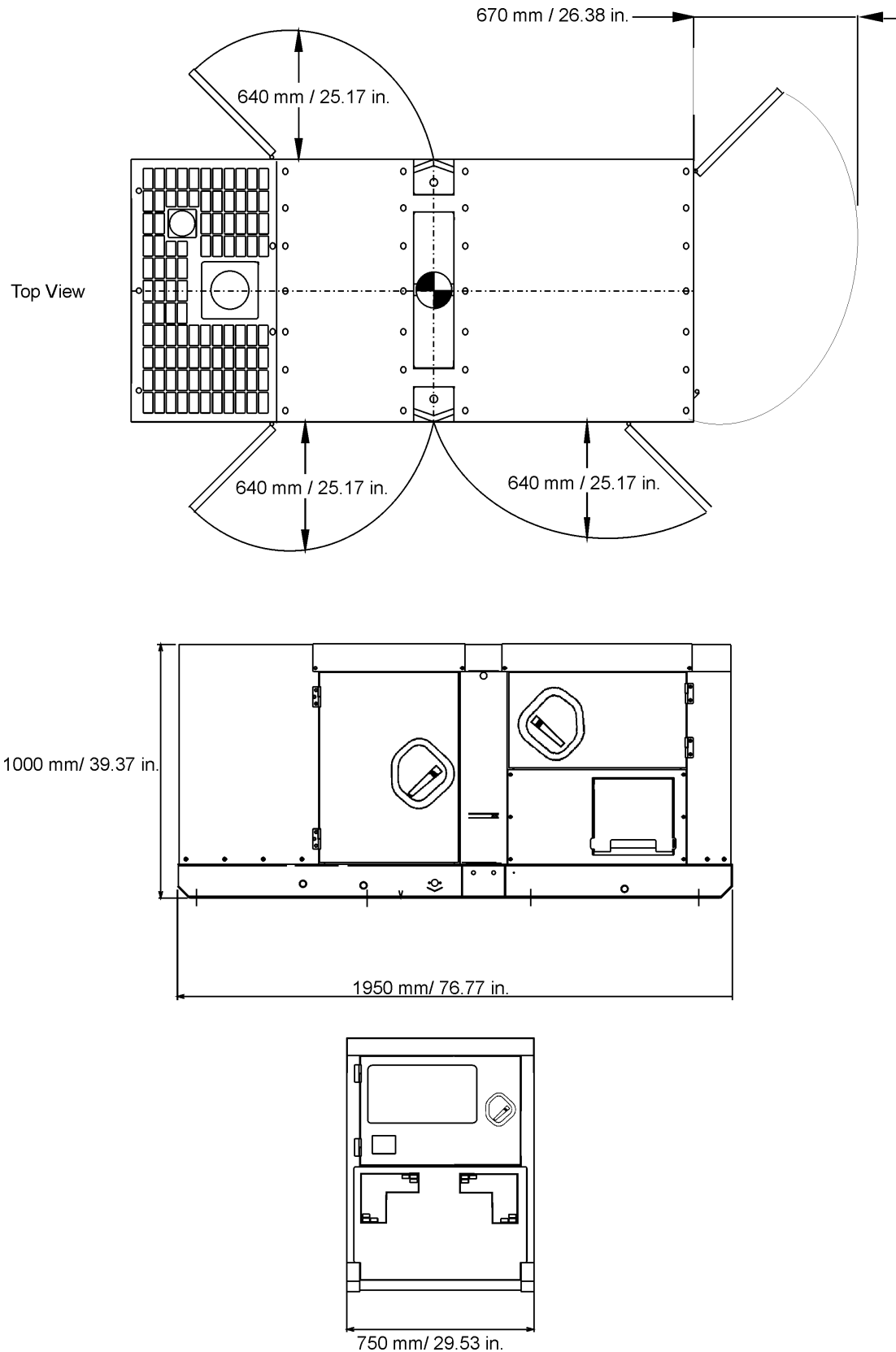
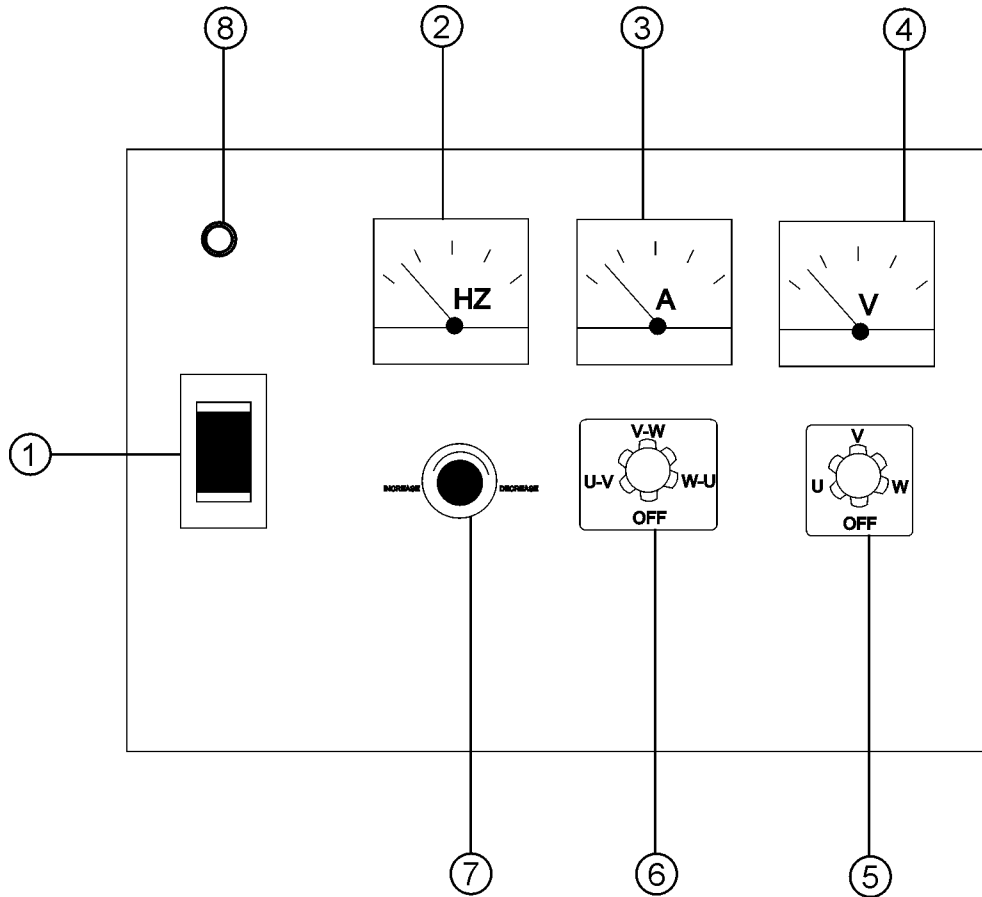


Figure 5. Dimensions



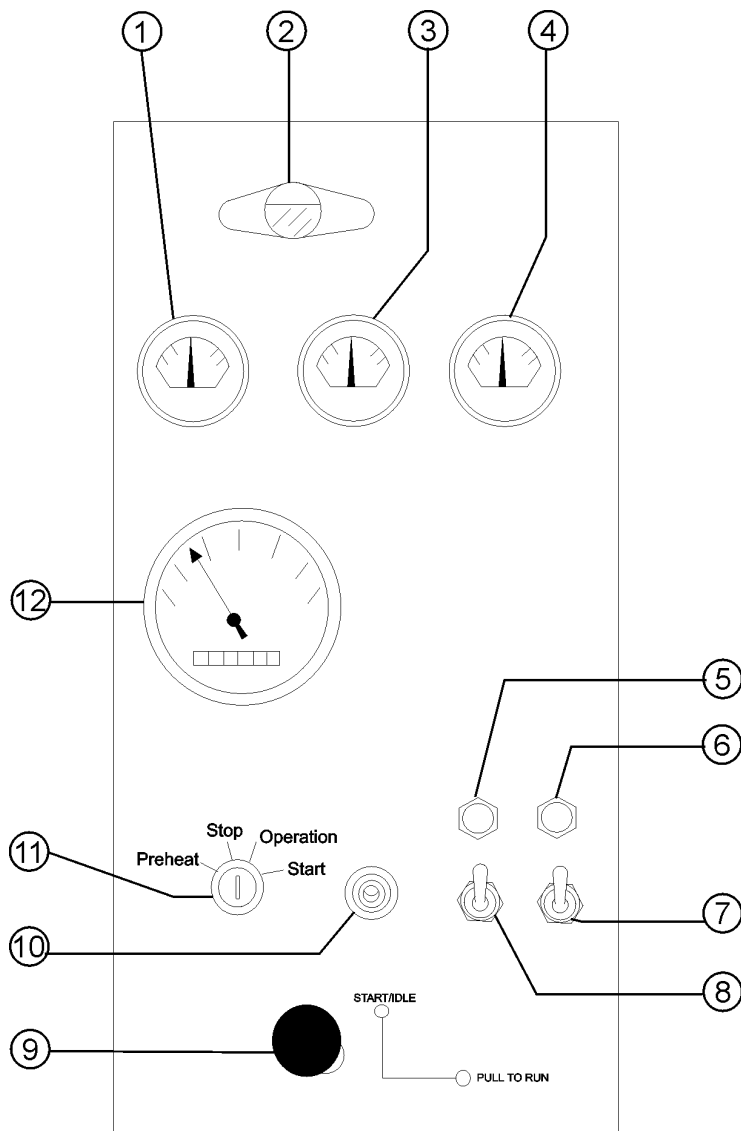
NO	ITEM
1	CIRCUIT BREAKER
2	FREQUENCY METER
3	AC AMMETER
4	AC VOLTMETER
5	VOLTAGE REGULATOR
6	CHANGE-OVER SWITCH, AMMETER
7	CHANGE-OVER SWITCH, VOLTMETER
8	PILOT LAMP

Figure 6. Control Panel

The definitions below describe the controls and functions of the DCA-25SSAI " **Control Panel** " (Figure 6).

1. **Main Circuit Breaker** – This three-pole, 60 amp main breaker is provided to protect the UVW voltage output terminals from overload.
2. **Frequency Meter** – Indicates the output frequency in hertz (Hz). Normally 60 Hz \pm 1 Hz .
3. **AC Ammeter** – Indicates the amount of current the load is drawing from the generator.
4. **AC Voltmeter** – Indicates the single phase output voltage present at the UVW terminals.
5. **Voltage Regulator Control** – Allows manual adjustment of the generator's output voltage.
6. **Ammeter Change-Over Switch** – This switch allows the AC ammeter to indicate the current flowing to the load connected to any phase of the output terminals, or to be switched off.
7. **Voltmeter Change-Over Switch** – This switch allows the AC voltmeter to indicate phase to phase voltage between any two phases of the output terminals or to be switched off.
8. **Pilot Lamp**- This will light if the oil pressure or water temperature is not within normal limits. If the lamp does not illuminate when the lamp switch is turned on, the bulb should be replaced.

DCA-25SSAI — ENGINE OPERATING PANEL



NO	ITEM
1	OIL PRESSURE GAUGE
2	PANEL LIGHT
3	WATER TEMPERATURE GAUGE
4	CHARGING AMMETER GAUGE
5	OIL PRESSURE INDICATOR
6	WATER TEMPERATURE INDICATOR
7	LAMP CHECK SWITCH
8	PANEL LIGHT SWITCH
9	SPEED CONTROL HANDLE
10	PREHEAT LAMP
11	IGNITION SWITCH
12	TACHOMETER

Figure 7. Engine Operating Panel

The definitions below describe the controls and functions of the DCA-25SSAI " **Engine Operating Panel** " (Figure 7).

1. **Oil Pressure Gauge** – Normal operation should be about 25 psi. When starting the generator the oil pressure may read a bit higher, but after the engine warms up the oil pressure should return to normal.
2. **Panel light** - Normally used in dark places or at night. When activated, panel will luminate. When the generator is not in use, turn the panel light switch to the 'OFF' position.
3. **Water Temperature Gauge** – During normal operation this gauge should read between 165° to 215°.
4. **Charging Ammeter Gauge** – Indicates the current being supplied by the engine's alternator which provides current for generator's control circuits and battery charging system.
5. **Oil Pressure Indicator** - This light will luminate if the oil pressure exceeds 35 psi and will shut off the engine.
6. **Water Temperature Indicator** - This light will luminate if the water temperature exceeds 215° and will shut off the engine.
7. **Lamp Check Switch (see Control Panel)**- Test switch for the lamp indicator on the control panel that the oil pressure and water temperature warning system is working properly.
8. **Panel light switch**- When activated, will turn on control panel light.
9. **Speed Control Handle**- To change the speed of the engine from idle to high, pull and turn the handle.
10. **Pre-Heat Indicator** - This light will luminate once the engine is warmed to an operating temperature.
11. **Ignition Switch** - This switch is used with a key to start, preheat, and stop the engine..
12. **Tachometer** – Indicates engine speed in RPM's for 60 Hz operation. This meter should indicate 1800 RPM's when the rated load is applied. In addition a built in hour meter will record the number of operational hours that the generator has been in use.

Output Terminal Panel

The output control panel is located on the rear (control panel) end of the generator. The UVW lugs are protected by a face plate cover that can be secured in the close position by a pad lock.

120 Volt Receptacle

One GFCI Duplex NEMA 5-20R (120V, 20 Amp) receptacle is located on the output terminal. This receptacle can be used anytime the generator is in operation. The receptacle is controlled by the circuit breaker located on the control panel.

The reset button will reset the receptacle after being tripped. Pressing the "Test Button" (See Figure 8) in the center of this receptacle will check the GFCI function. The receptacle should be tested at least once a month.

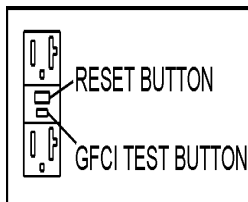


Figure 8. GFCI Test Button

Connecting Load

Loads can be connected to the generator by the UVW Lugs or the duplex receptacle. (See Figure 9). Make sure to read the operation manual before attempting to connect a load to the generator.

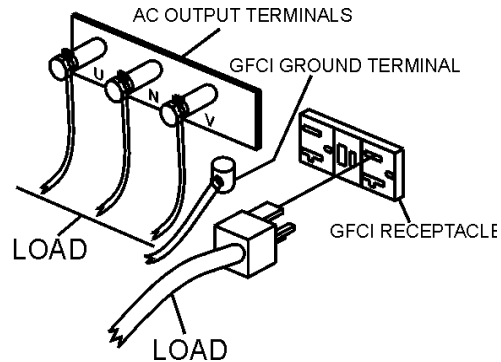


Figure 9. Connecting Loads

Circuit Breakers

To protect the generator from an overload, a 3-pole, 60 amp, **main** circuit breaker is provided to protect the UVW output terminals from overload. In addition two single-pole, 20 amp **GFCI** circuit breakers are provided to protect the GFCI receptacles from overload. Three 50 amp **load** circuit breakers have also been provided to protect the load side of the generator from overload. **Make sure to switch ALL** circuit breakers to the "OFF" position prior to starting the engine.

Maximum Output

The entire load connected to the UVW lugs and all four slots in the duplex receptacle must not exceed 22 kW in standby or 20 kW in prime output.

120V Receptacles - These receptacles can be used anytime the generator is in operation. They are controlled by the circuit breakers above them.

Twist Lock Dual Voltage Receptacles - To use these receptacles, place the voltage selector switch in the single phase 240/120 voltage position and adjust the output voltage to 240 volts with the voltage regulator on the control panel (see Figure 6, page 24). Place the voltmeter change-over switch to the U-W position and the ammeter change-over switch to the U or W to read the output.

DCA-25SSAI — OUTPUT TERMINAL PANEL

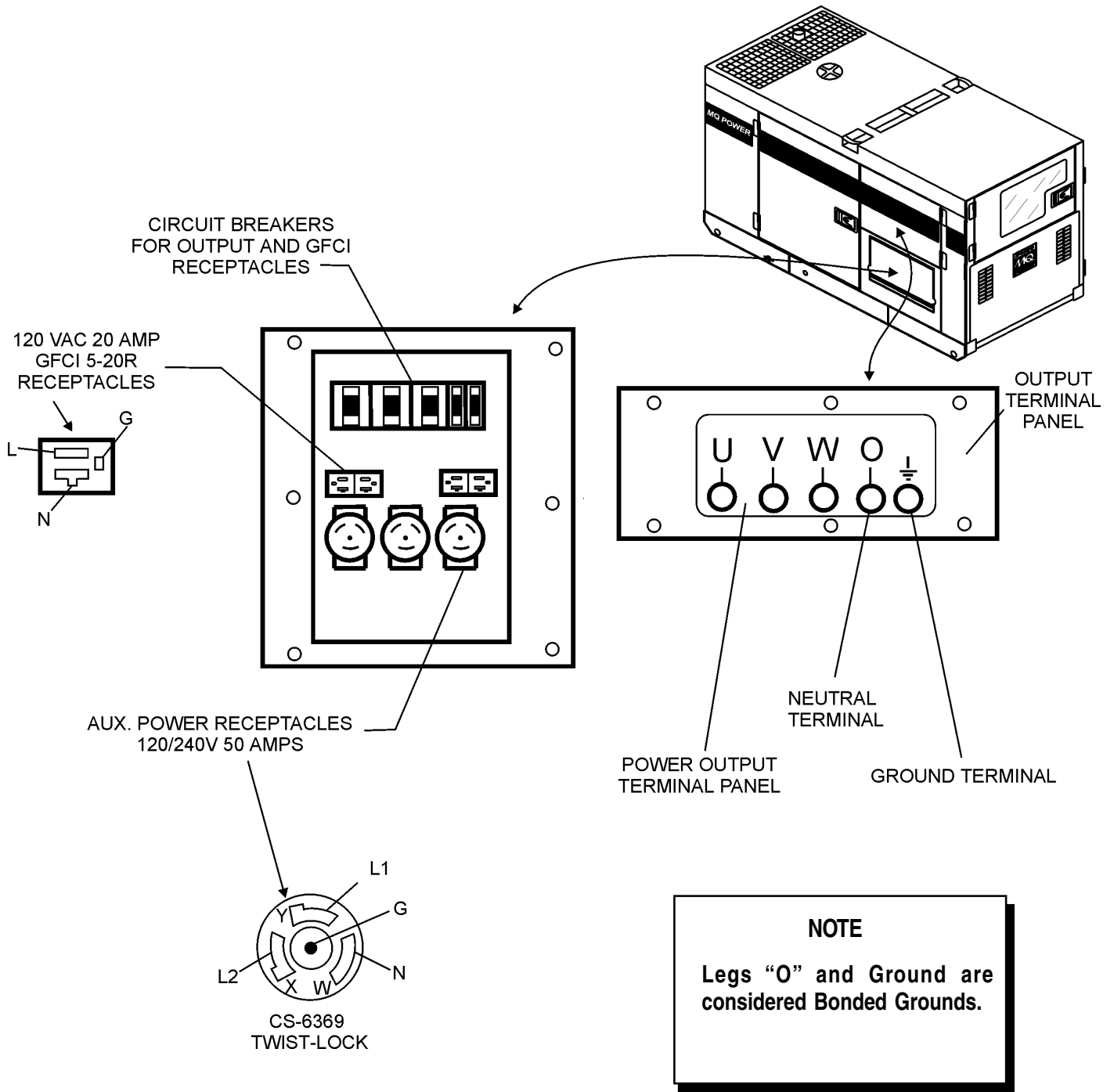


Figure 10. Output Terminal Description

DCA-25SSAI — OUTPUT AMPERAGE SETUP

Output Terminal Panel Available Voltages

A wide range of voltages are available to supply load to many different applications. Voltages may be selected by using the voltage selector switch and depending how you hookup your hard wire connection to the generator. To obtain voltages listed, fine adjustment with the voltage regulator on the control panel is necessary. See the table below (Table 6) for a list of available voltages the generator is able to supply.

Over Current Relay

An over current relay is connected to the circuit breaker. During an over current situation, both the circuit breaker and the over current relay may trip. If the circuit breaker can not be reset, the reset button on the over current relay must be pressed. The over current relay is located inside the control box.

Table 6. Voltage Available

Table 6. Voltage Available						
3 Phase (Switchable)	208 VOLT	220 VOLT	240 VOLT	416 VOLT	440 VOLT	480 VOLT
Single Phase (Switchable)	120 VOLT	127 VOLT	139 VOLT	240 VOLT	254 VOLT	277 VOLT

CAUTION :



NEVER switch the voltage selector switch position while the engine is engaged.

Maximum Amps

The following table show the maximum amps the entire generator can provide. Do not exceed the maximum amps listed. (See Table 7)

Voltage Selector Switch Locking Button

The voltage selector switch has a locking button to protect the generator and generator load from being switched while the engine is running. To lock the voltage selector switch, press in the red button located on the lower part of the voltage selector switch, and use a pad lock to hold it into this position.

Table 7. Maximum Amps

Rated Voltage	Maximum Amps
Single Phase 120 Volt	55.5 amps (4 wire)
Single Phase 240 Volt	27.8 amps (4 wire)
Three Phase 240 Volt	60 amps
Three Phase 480 Volt	30 amps

Receptacle Use

When the UVWO terminals are providing power, the receptacle power available decrease. Do not exceed receptacle power available listed on Table 8.

Table 8. Receptacle Use		
Power in Use		Receptacle Power Available
240/480V 3-Phase	240/120V Single Phase or Twist Lock CS6369	Duplex NEMA 5-20R 120V
25	14.4	0
20.8	13.2	1.2
16.7	12	2.4
12.5	10.8	3.6
8.4	9.6	4.8

How To Read The Output Terminal Gauges

The gauges (Figures 13 and 15) and change-over switches on the control panel **DO NOT** effect the generator output. They are to help observe how much power is being supplied produced at the UVWO legs.

When the voltage selector switch is in the 240/120V position (see Figure 11), place the AC voltmeter change-over switch to the W-U position (Figure 12) and the AC ammeter change-over switch to the U or W position (Figure 14) to read the output on the selected leg.

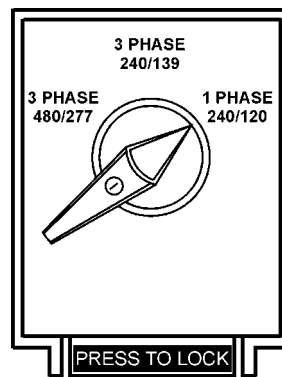


Figure 11. Voltage Selector Switch 240/120V Single Phase Position

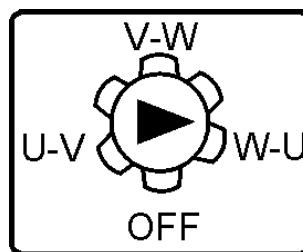


Figure 12. AC Voltmeter Change-over switch (Reading the W-U leg on the output terminal panel)

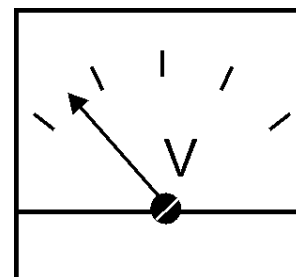


Figure 13. AC Voltmeter Gauge (Volt reading on W-U Lug)

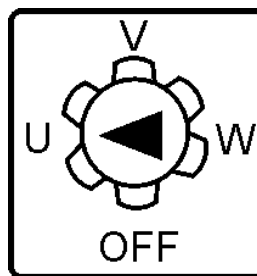


Figure 14. AC Ammeter Change-over Switch (Reading the U leg on the output terminal panel)

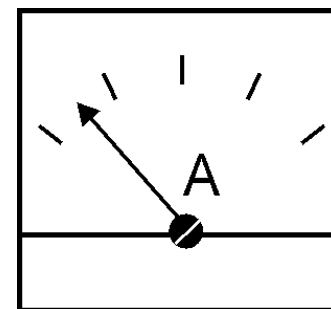


Figure 15. AC Ammeter (Amp reading on U lug)

NOTE

When using plural single phase voltages, make sure to balance the load on each of the single phase legs.

DCA-25SSAI — OUTPUT VOLTAGE SETUP

240/120V Hard Wire Hookup

With the voltage selector set and locked at 'single phase 240/120' and using single phase 120 volts, it will provide three legs available with 100 amps each on three different circuits (Figure 16).

When using single phase 240 volts, it will provide one leg with 50 amps available (Figure 16).

480/240V Hard Wire Hookup

With the voltage selector set and locked at '3 phase 480/277' (Figure 17) and using the 3-phase 240 volt hookup, it will provide one circuit available at 108 amps with any two wires plus the ground (Figure 18).

When using the 3-phase 480 volts hookup, it will provide one circuit available at 50 amps available with all three wires plus ground (Figure 18).

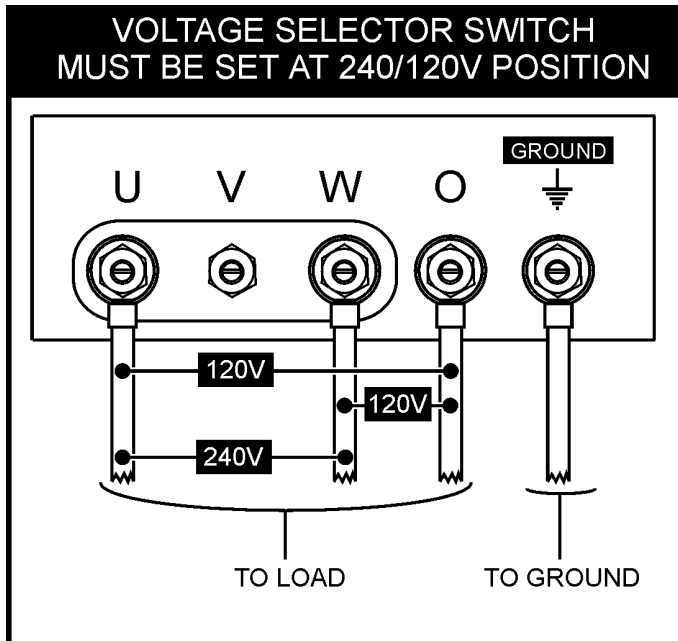


FIGURE 16. Hard Wire Hookup at 240/120V Position

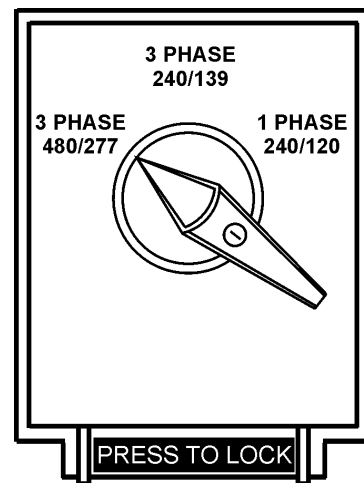


FIGURE 17. Voltage Selector Switch 480/277V Three Phase Position

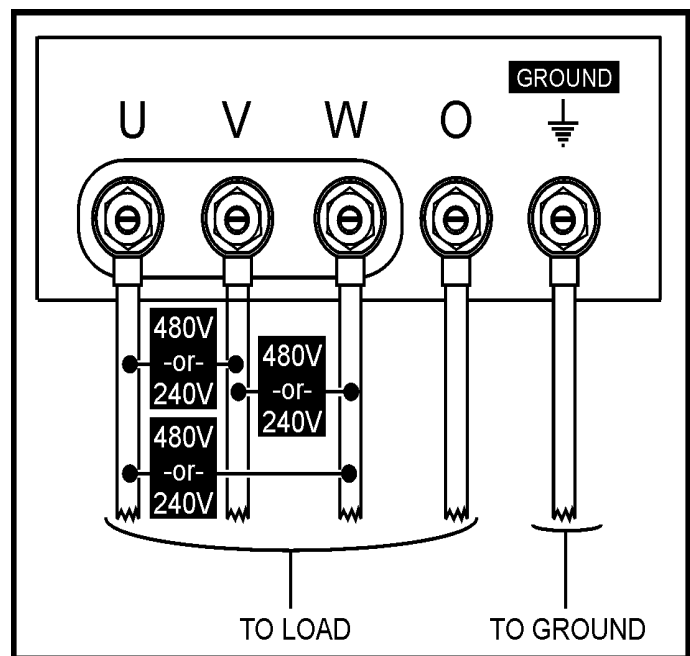


FIGURE 18. Hard Wire Hookup For 240V or 480V

Voltage Selector Switch- 3 Phase 480/277V Position

The following are additional voltages available when the voltage selector switch is in the 3 phase 480/277V position.



Figure 19. Voltage Regulator Knob

3 Phase, 480V, 440V, or 416 Volt

This setting can provide 3-phase power at 480, 440, or 416 volts. After hooking up the hard wires to the lugs as shown in Figure 20, 480 volts can be obtained the voltage regulator knob turned toward maximum; 440 volts can be obtained with the voltage regulator knob is turned down; and 416 volts can be obtained with the voltage regulator knob is at lowest setting.

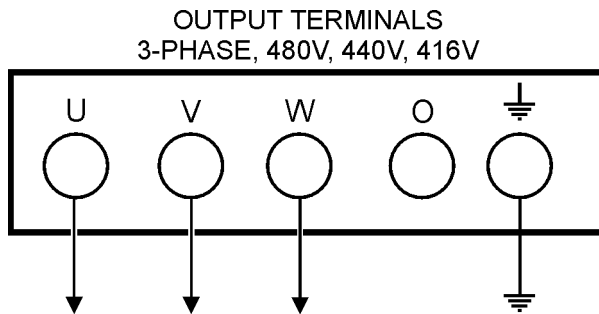


Figure 20. Hard Wire Hookup for Three Phase 480V, 440V, or 416V

Single Phase: 480V, 440V, or 416 Volt

This setting can provide single phase power at 480, 440, or 416 volts. After hooking up the hard wires to the lugs as shown in Figure 21, 480 volts can be obtained the voltage regulator knob turned toward maximum; 440 volts can be obtained with the voltage regulator knob is turned down; and 416 volts can be obtained with the voltage regulator knob is at lowest setting.

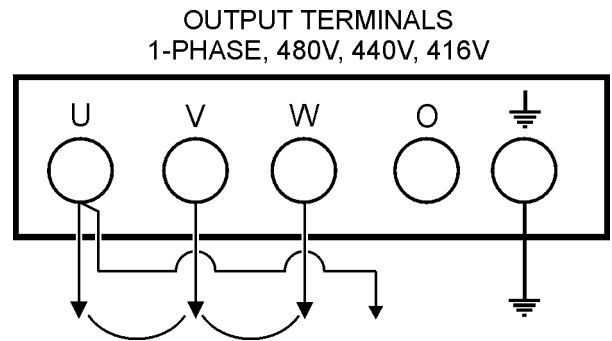


Figure 21. Hard Wire Hookup for Single Phase 480V, 440V, or 416V

Single Phase: 277V, 254V, or 240V

This setting can provide single phase power at 277, 254 or 240 volts. After hooking up the hard wires to the lugs as shown in Figure 22, 277 volts can be obtained the voltage regulator knob turned toward maximum; 254 volts can be obtained with the voltage regulator knob is turned down; and 240 volts can be obtained with the voltage regulator knob is at lowest setting.

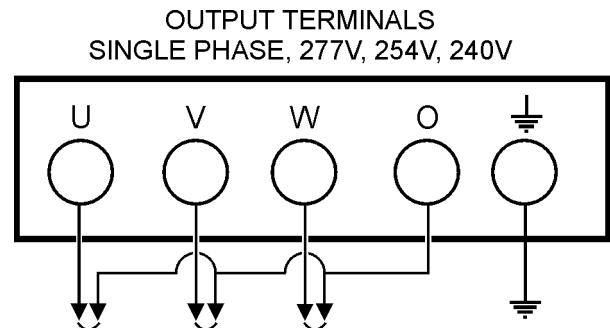


Figure 22. Hard Wire Hookup for Single Phase 277V, 254V, or 240V

Voltage Selector Switch- 3 Phase 240/139V Position

The following are additional voltages available when the voltage selector switch is in the 3 phase 240/139V position.

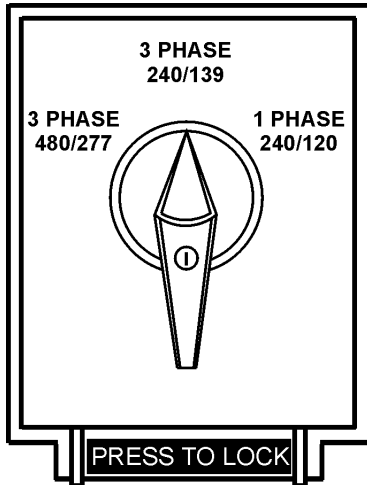


FIGURE 23. Voltage Selector Switch 240/139V Three Phase Position

3 Phase, 240V, 220V, or 208 Volt

This setting can provide 3-phase power at 240, 220, or 208 volts. After hooking up the hard wires to the lugs as shown in Figure 24, 240 volts can be obtained the voltage regulator knob turned toward maximum; 220 volts can be obtained with the voltage regulator knob is turned down; and 208 volts can be obtained with the voltage regulator knob is at lowest setting.

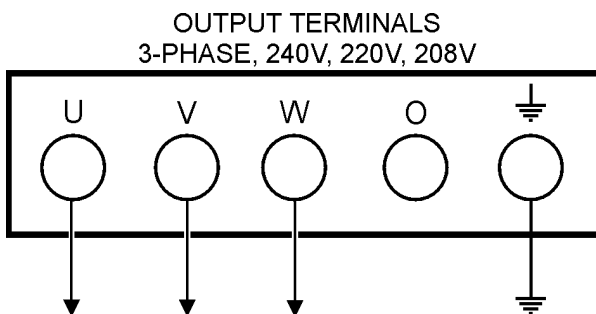


Figure 24. Hard Wire Hookup for Three Phase 240V, 220V, or 208V

Single Phase: 240V, 220V, or 208 Volt

This setting can provide single phase power at 240, 220, or 208 volts. After hooking up the hard wires to the lugs as shown in Figure 25, 240 volts can be obtained the voltage regulator knob turned toward maximum; 220 volts can be obtained with the voltage regulator knob is turned down; and 208 volts can be obtained with the voltage regulator knob is at lowest setting.

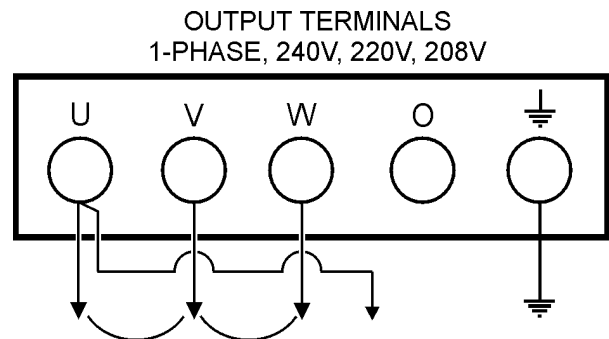


Figure 25. Hard Wire Hookup for Single Phase 240V, 220V, or 208V

Single Phase: 139V, 127V, or 120V

This setting can provide single phase power at 139, 127, or 120 volts. After hooking up the hard wires to the lugs as shown in Figure 26, 139 volts can be obtained the voltage regulator knob turned toward maximum; 127 volts can be obtained with the voltage regulator knob is turned down; and 120 volts can be obtained with the voltage regulator knob is at lowest setting.

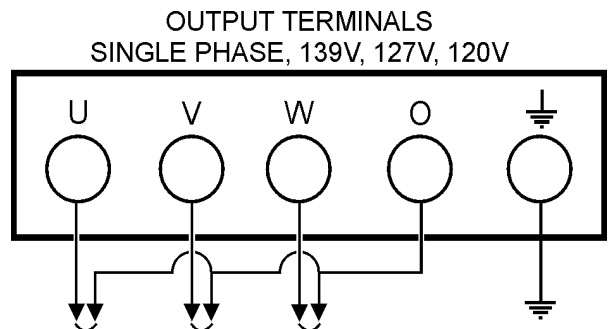


Figure 26. Hard Wire Hookup for Single Phase 139V, 127V, or 120V

Voltage Selector Switch- Single Phase 240/120V

Position

The following are additional voltages available when the 240/120V position.

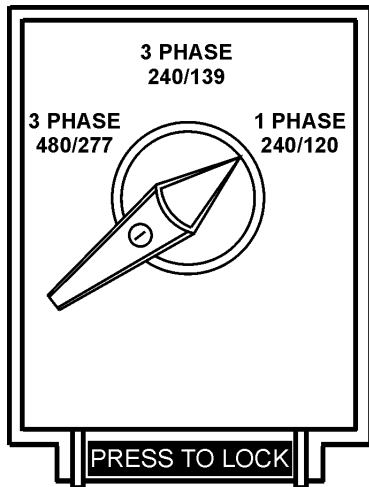


Figure 27. Voltage Selector Switch 240/120V Single Phase Position

Single Phase: 120 Volt

This setting can provide single phase power at 120 volts. After hooking up the hard wires to the lugs as shown in Figure 29, 120 volts can be obtained by using the voltage regulator to fine tune.

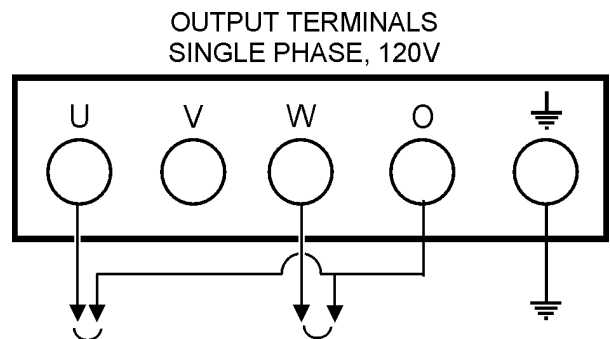


Figure 29. Hard Wire Hookup for Single Phase, 120 volt

Single Phase, 240 Volt

This setting can provide single phase power at 240 volts. After hooking up the hard wires to the lugs as shown in Figure 28, 240 volts can be obtained and using the voltage regulator to fine tune.

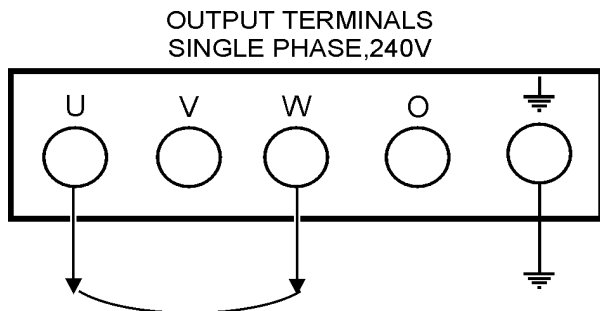


Figure 28. Hard Wire Hookup for Single Phase 240 volt

Outdoor Installation

Install the generator in a location where it will not be exposed to rain or sunshine. Make sure the generator is on secure level ground so that it cannot slide or shift around. Also install the generator in a manner so that the exhaust will not be discharged in the direction of nearby homes.

The installation site must be relatively free from moisture and dust. All electrical equipment should be protected from excessive moisture. Failure to do will result in deterioration of the insulation and will result in short circuits and grounding.

Foreign materials such as dust, sand, lint and abrasive materials have a tendency to cause excessive wear to engine and alternator parts.

CAUTION :



Pay close attention to ventilation when operating the generator inside tunnels and caves. The engine exhaust contains noxious elements. Engine exhaust must be routed to a ventilated area.

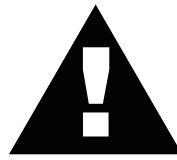
Indoor Installation

Exhaust gases from diesel engines are extremely poisonous. Whenever an engine is installed indoors the exhaust fumes must be vented to the outside. The engine should be installed at least two feet from any outside wall. Using an exhaust pipe which is too long or too small can cause excessive back pressure which will cause the engine to heat excessively and possibly burn the valves.

Mounting

The generator must be mounted on a solid foundation (such as concrete) and set firmly on the foundation to isolate vibration of the generator when it is running. The generator must set at least 6 inches above the floor or grade level (in accordance to NFPA 110, Chapter 5-4.1). DO NOT remove the metal skids on the bottom of the generator. They are to resist damage to the bottom of the generator and to maintain alignment.

CAUTION :



An electric shock may happen when vibrators are used. Pay close attention to handling when operating vibrators and always use rubber boots and gloves to insulate the body from electrical shock.

Generator Grounding

To guard against electrical shock and possible damage to the equipment, it is important to provide a good **EARTH** ground.

Article 250 (Grounding) of the National Electrical Code (NEC) provides guide lines for proper grounding and specifies that the cable ground shall be connected to the grounding system of the building as close to the point of cable entry as practical.

NEC articles 250-64(b) and 250-66 set the following grounding requirements:

1. Use one of the following wire types to connect the generator to earth ground.
 - a. Copper - 10 AWG (5.3 mm²) or larger.
 - b. Aluminum - 8 AWG (8.4 mm²) or larger.
2. When grounding the generator (Figure 30) connect the ground cable between the lock washer and the nut on the generator and tighten the nut fully. Connect the other end of the ground cable to earth ground.
3. NEC article 250-52(c) specifies that the earth ground rod should be buried a minimum of 8 ft. into the ground.

NOTE

When connecting the generator to any buildings electrical system **ALWAYS** consult with a licensed electrician.

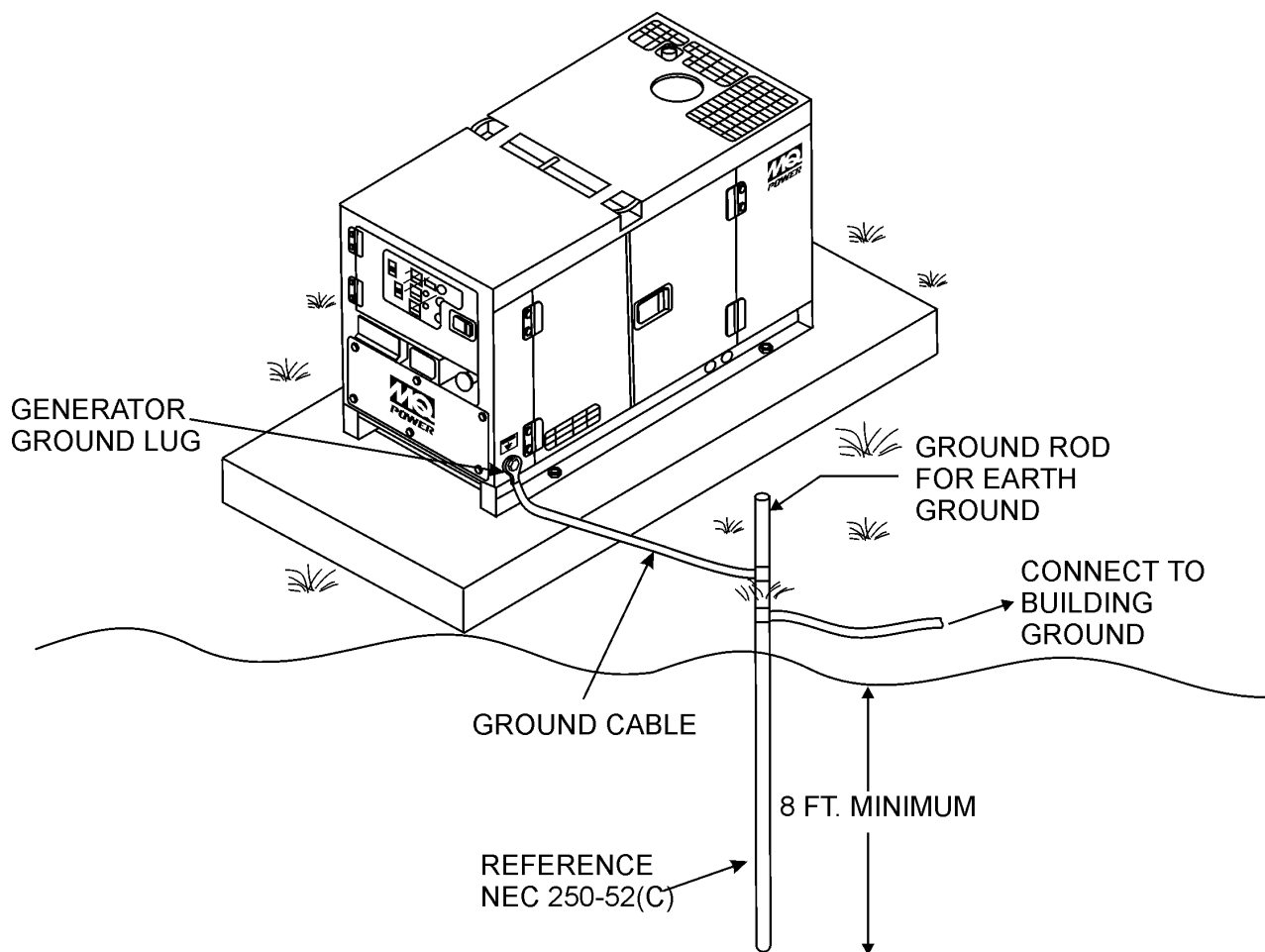


Figure 30. Typical Generator Grounding Application

General Inspection Prior to Operation

The DCA-25SSAI generator has been thoroughly inspected and accepted prior to shipment from the factory. However, be sure to check for damaged parts or components, or loose nuts and bolts, which could have occurred in transit.

Extension Cable

When electric power is to be provided to various tools or loads at some distance from the generator, extension cords are normally used. Cables should be sized to allow for distance in length and amperage so that the voltage drop between the generator and point of use (load) is held to a minimum. Use the Cable Selection Guide (Table 9) as a guide for selecting proper cable size.

Circuit Breakers

To protect the generator from an overload, a 3-pole, 60 amp, **main** circuit breaker is provided to protect the UVW output terminals from overload. In addition two single-pole, 20 amp **GFCI** circuit breakers are provided to protect the GFCI receptacles from overload. Three 50 amp **load** circuit breakers have also been provided to protect the load side of the generator from overload. Make sure to switch **ALL** circuit breakers to the "OFF" position prior to starting the engine.

NOTE

ALWAYS consult with a licensed electrician for correct extension cord wire size.

Table 9. Cable Selection (60 Hz, Single Phase Operation)

Current in Amperes	Load In Watts		Maximum Allowable Cable Length			
	At 120 Volts	At 240 Volts	#10 Wire	#12 Wire	#14 Wire	#16 Wire
2.5	300	600	1000 ft.	600 ft.	375 ft.	250 ft.
5	600	1200	500 ft.	300 ft.	200 ft.	125 ft.
7.5	900	1800	350 ft.	200 ft.	125 ft.	100 ft.
10	1200	2400	250 ft.	150 ft.	100 ft.	
15	1800	3600	150 ft.	100 ft.	65 ft.	
20	2400	4800	125 ft.	75 ft.	50 ft.	
CAUTION: Equipment damage can result from low voltage.						

Lubrication Oil

Fill the engine crankcase with lubricating oil through the filler hole, but do not overfill. Make sure the generator is level. With the dipstick inserted all the way, but without being screw into the filler hole, verify that the oil level is maintained between the two notches (Figure 31) on the dipstick. See Table 10 for proper selection of engine oil.

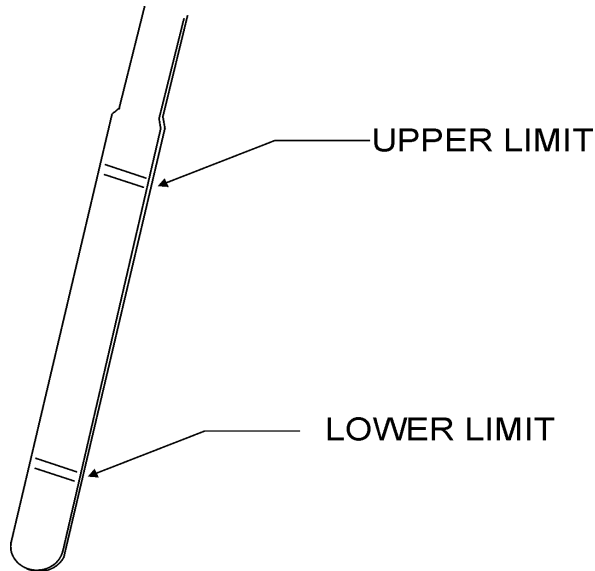


Figure 31. Engine Oil Dipstick

When checking the engine oil, be sure to check if the oil is clean and viscous. If the oil is not clean, drain the oil by removing the oil drain plug, and refill with the specified amount of oil as outlined in the **Isuzu Engine Operator's Manual**.

Fuel

Fill the fuel tank with clean and fresh **diesel fuel**. **DO NOT** fill the tank beyond capacity.

Pay attention to the fuel tank capacity when replenishing fuel. Refer to the fuel tank capacity listed on page 19 Specification Table 5.

The fuel tank cap must be closed tightly after filling. Handle fuel in a safety container. If the container does not have a spout, use a funnel. Wipe up any spilled fuel immediately.

CAUTION :



Never fill the fuel tank while the engine is running or in the dark. Gasoline spillage on a hot engine can cause a fire or explosion. If gasoline spillage occurs, wipe up the spilled gasoline completely to prevent fire hazards.

Coolant

Use only drinkable tap water. If hard water or water with many impurities is used, the inside of the engine and radiator may become coated with deposits and cooling efficiency will be reduced. See maintenance section on page 42 and 43 on instructions to flush out radiator.

An anticorrosion additive added to the water will help prevent deposits and corrosion in the cooling system.

Table 10. Recommended Motor Oil

Temperature Range	Type Oil
104° F ~ 23° F (40° C ~ -5°C)	SAE 30
23° F ~ 5° F (-5° C ~ -15°C)	SAE 20 or SAE 10W-30
Below 5° C (-15°)	SAE 10W or SAE 10W-30

CAUTION :



When adding coolant or antifreeze to the radiator, do not remove the radiator cap until the unit has completely cooled.

Day-to-day addition of coolant is done from the reserve tank. When adding coolant to the radiator, **DO NOT** remove the radiator cap until the unit has completely cooled. See Table 11. for engine, radiator, and reserve tank coolant capacities. Make sure the coolant level in the reserve tank is always between the "H" and the "L" markings.

Table 11. Coolant Capacity

Engine and Radiator	2.9 Gal. (11 Liters)
Reserve Tank	0.27 Gal. (1 Liter)

Operation in Freezing Weather

When operating in freezing weather, be certain the proper amount of antifreeze (Table 12) has been added.

Table 12. Anti-Freeze Operating Temperatures

Vol % Anti-Freeze	Freezing Point		Boiling Point	
	°C	°F	°C	°F
40	-24	-12	106	222
50	-37	-34	108	226

NOTE

When the antifreeze is mixed with water, the antifreeze mixing ratio must be less than 50%.

Cleaning the Outer Radiator

The engine may overheat if the radiator fins become overloaded with dust or debris. Periodically clean the radiator fins with compressed air. Cleaning inside the radiator is dangerous, so clean only with the engine turned off and the battery disconnected.

Air Cleaner

Periodic cleaning/replacement is necessary. Inspect it in accordance with the **Kubota Engine Owner's Manual**.

Fan Belt Tension

The slack on the fan belt may contribute to overheating, or to insufficient charging of the battery. Inspect the fan belt for damage and wear and adjust it in accordance with the **Kubota Engine Owner's Manual**.

The fan belt tension is proper if the fan belt deflects 10 to 15 mm (Figure 32) when depressed with the thumb as shown below. Never place hands near the belts or fan while the generator is running.

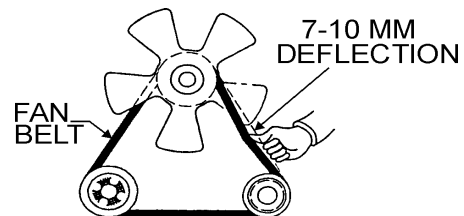


Figure 32. Fan Belt Tension

CAUTION :



Never place hands near the belts or fan while the generator set is running.

Adjusting Fan Belt

If the fan belt does not have the 10 to 15mm deflection follow the procedure below to adjust:

- Loosen the alternator adjusting plate and alternator mounting bolt.
- Pivot the alternator at the mounting bolt toward the engine left or right until the belt reflects the proper tension.
- Tighten the mounting bolt and the adjusting bolt.

Battery

This unit is of negative ground. **DO NOT** connect in reverse. Always maintain battery fluid level between the specified marks. Battery life will be shortened, if the fluid level is not properly maintained. Add only distilled water when replenishment is necessary. **DO NOT** over fill.

The battery is sufficiently charged if the specific gravity of the battery fluid is 1.28 (at 68° F). If the specific gravity should fall to 1.245 or lower, it indicates that the battery is dead and needs to be recharged or replaced.

Check to see whether the battery cables are loose. Poor contact may result in poor starting or malfunctions. Always keep the terminals firmly tightened. Coating the terminals with a thin film of grease will help to inhibit corrosion.

Battery Cable Installation

ALWAYS be sure the battery cables (Figure 33) are properly connected to the battery terminals as shown below. The **RED** cable is connected to the positive terminal of the battery, and the **BLACK** cable is connected to the negative terminal of the battery.

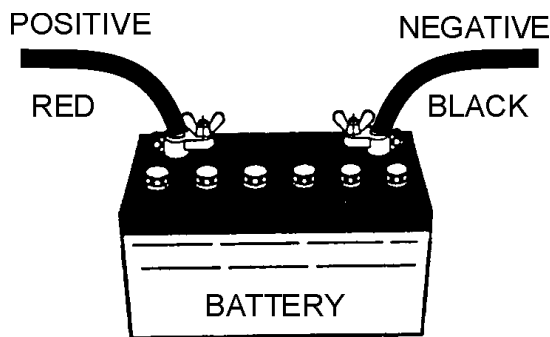
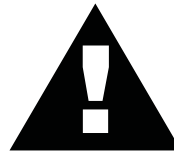


Figure 33. Battery Connections

CAUTION :



If the battery cable is connected incorrectly, damage to the generator will occur. Pay close attention to the polarity of the battery when connecting the battery.

When connecting battery do the following:

1. **DO NOT** connect the battery cables to the battery terminals when the key is in the ignition and is set in 'START' mode. **ALWAYS** remove the key from the ignition and the ignition switch is in the OFF position when connecting the battery.
2. Place a small amount of grease around both battery terminals. This will ensure a good connection and will help prevent corrosion around the battery terminals.

CAUTION :



Inadequate battery connections may cause poor starting of the generator, and create other malfunctions.

Wiring

Inspect the entire generator for bad or worn electrical wiring or connections. If any wiring or connections are exposed (insulation missing) replace wiring immediately.

Piping and Hose Connection

Inspect all piping, oil hose, and fuel hose connections for wear and tightness. Tighten all hose clamps and check hoses for leaks.

If any hose (fuel or oil) lines are defective replace them immediately.

Single Phase Load

Always be sure to check the nameplate on the generator and equipment to insure the wattage, amperage and frequency requirements are satisfactorily supplied by the generator for operating the equipment.

Generally, the wattage listed on the nameplate of the equipment is its rated output. Equipment may require 130—150% more wattage than the rating on the nameplate, as the wattage is influenced by the efficiency, power factor and starting system of the equipment.

When the voltage selector switch is in single phase (240/120V position), place the AC voltmeter change-over switch to the U-W position and the AC ammeter change over-switch to the U or W position to read the output.

NOTE

If wattage is not given on the equipment's name plate, approximate wattage may be determined by multiplying nameplate voltage by the nameplate amperage.

$$\text{WATTS} = \text{VOLTAGE} \times \text{AMPERAGE}$$

The power factor of this generator is 1.0. See Table 13. below when connecting loads.

Table 13. Power Factor By Load

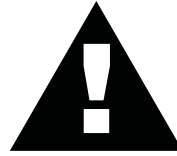
Type Of Load	Power Factor
Single-phase induction motors	0.4 - 0.75
Electric heaters, incandescent lamps	1.0
Fluorescent lamps, mercury lamps	0.4 - 0.9
Electronic devices, communication equipment	1.0
Common power tools	0.8

Three Phase Load

When calculating the power requirements for 3-phase power use the following equation:

$$\text{KVA} = \frac{\text{VOLTAGE} \times \text{AMPERAGE} \times 1.732}{1000}$$

CAUTION:



Motors and motor-driven equipment draw much greater current for starting than during operation.

An inadequate size connecting cable which cannot carry the required load can cause a voltage drop which can burn out the appliance or tool and overheat the cable.

- When connecting a resistance load such as an incandescent lamp or electric heater, a capacity of up to the generating set's rated output (kW) can be used.
- When connecting a fluorescent or mercury lamp, a capacity of up to the generating set's rated output (kW) multiplied by 0.6 can be used.
- When connecting an electric drill or other power tools, pay close attention to the required starting current capacity.

If wattage is not available on the equipment, approximate wattage may be determined by multiplying the nameplate voltage by the nameplate amperage for three-phase:
 $\text{WATTS} = 1.732 \times \text{VOLTAGE} \times \text{AMPERAGE}$

CAUTION:



Before connecting this generator to any building's electrical system, a licensed electrician must install an isolation (transfer) switch. Serious injury or death may result without this transfer switch.

NOTE

If output (kVA) is not given on the equipment nameplate, approximate output may be determined by multiplying voltage by amperage by $\sqrt{3}$

WARNING:



The engine's exhaust contains harmful emissions. **ALWAYS** ventilate the exhaust when operating inside tunnels, excavations or buildings. Direct exhaust away from nearby personnel.

Before Starting Engine

1. Check the lubricating oil level prior to starting the engine. Make sure the generator is level. The oil level must be maintained between two notches on the dipstick.
2. When there is not enough lubricating oil, fill the crankcase with high grade motor oil. Use a high quality detergent oil classified CC or higher (See Table 8 on page 33).
3. Check the coolant level in the radiator and subtank. Replenish with antifreeze as necessary. Always maintain the coolant level between the **FULL** and **LOW** markings on the coolant container. Be sure that the radiator cap is fastened securely.
4. Check the fuel level on the fuel gauge. If fuel is low, fill the fuel tank with clean fresh unleaded automotive diesel. If diesel spillage occurs, completely wipe up the spilled fuel immediately.

Before Starting Generator and Control Panel

CAUTION:



NEVER start the engine with the **main, GFCI** or **load** circuit breakers in the **ON** position.

1. Be sure to disconnect the electrical load and switch the **main, load** and **G.F.C.I.** circuit breakers (Figure 34) to the "OFF" position prior to starting the engine.

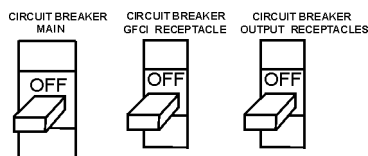


Figure 34. Main, GFCI and Load Circuit Breakers

2. Connect the load to the UVW terminals as shown in Figure 35. These terminals can be found on the output terminal panel, (see page 29 Figure 10). To gain access to the output terminals lift the UVW cover. Tighten terminal nuts securely to prevent load wires from slipping out.

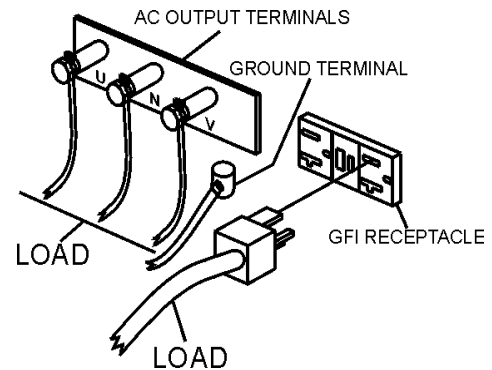


Figure 35. UVW Terminal Lugs (Load)

3. Connect the negative battery cable (BLACK) to the negative post on the battery (Figure 36).

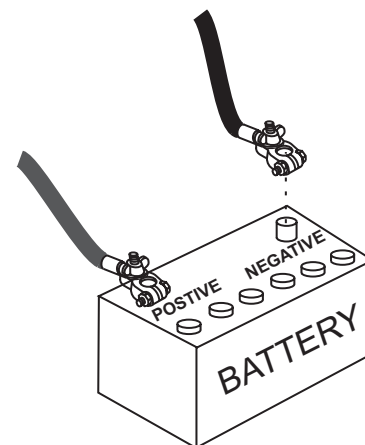


Figure 36. Battery Connections

DCA-25SSAI — GENERATOR START-UP PROCEDURE

4. Close all engine enclosure doors (Figure 37).

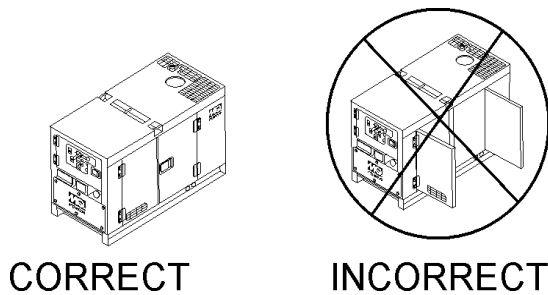


Figure 37. Engine Enclosure Doors

5. Check the voltage selection switch (Figure 38) is at the desired voltage.

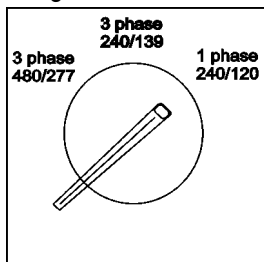


Figure 38. Voltage Selection Switch

6. Make sure the engine throttle (Figure 39) is in 'start/idle'.

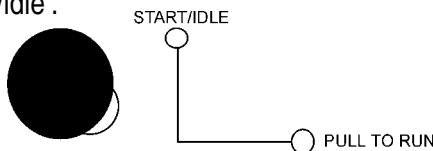


Figure 39. Engine Throttle Lever (low)

7. Turn the ignition key to preheat (Figure 40), until the preheat indicator turns on.

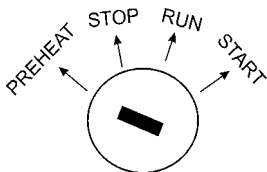


Figure 40. Ignition Switch 'PREHEAT'

8. Once the preheat indicator lights, turn the ignition key to 'START' until the engine starts (Figure 41). Then release the key to 'RUN'.

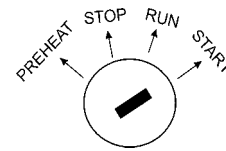


Figure 41. Ignition Switch 'START'

9. Pull the engine throttle and turn to the right until the metal stop rests against the control panel (Figure 42).

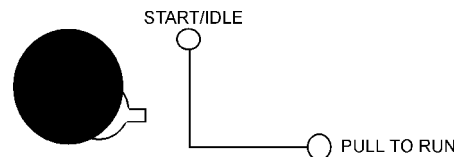


Figure 42. Engine Throttle Lever (high)

10. The generator's frequency meter (Figure 43) displays the 60 cycle output frequency in HERTZ.

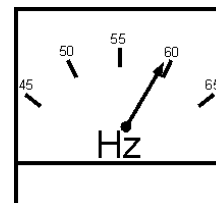


Figure 43. Frequency Meter (Hz)

11. The generator's voltage meter (Figure 44) displays the 120 VAC in VOLTS. If the voltage is not within the specified frequency tolerance, use the voltage adjustment control knob (Figure 45) to increase or decrease the desired voltage.

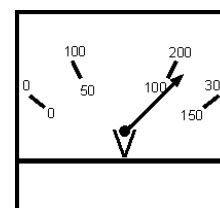


Figure 44. Voltage Meter (Volts)

DCA-25SSAI — GENERATOR START-UP PROCEDURE

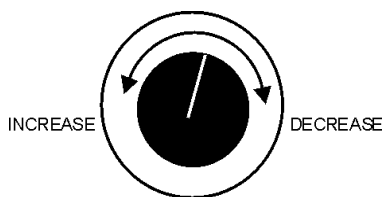


Figure 45. Voltage Adjust Control Knob

12. The ammeter (Figure 46) will indicate zero amps with no load applied. When a load is applied, this meter will indicate the amount of current that the load is drawing from the generator's alternator.

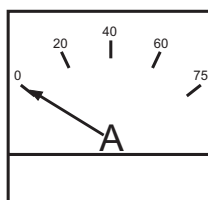


Figure 46. Ammeter (No Load)

13. The engine oil pressure gauge (Figure 47) will indicate the oil pressure (kg/cm²) of the engine. Under normal operating conditions the oil pressure is approximately 25 psi.

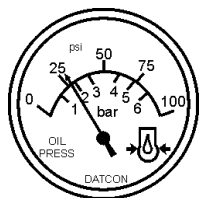


Figure 47. Oil Pressure Gauge

14. The coolant temperature gauge (Figure 48) will indicate the coolant temperature. Under normal operating conditions the coolant temperature is between 165 and 215 degrees Fahrenheit.

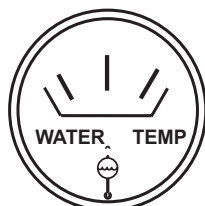


Figure 48. Coolant Temperature Gauge

15. The tachometer (Figure 49) will indicate the speed of the engine when the generator is operating. Under normal operating conditions this speed is approximately 1800 RPM's.

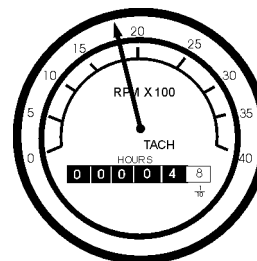


Figure 49. Engine Tachometer

16. Turn the MAIN, GFCI and LOAD circuit breakers to their ON position (Figure 50).

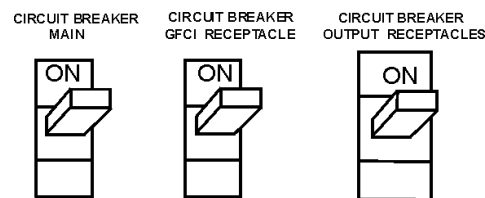


Figure 50. Main and GFCI Circuit Breakers

17. Observe the generator's ammeter (Figure 51) and verify it reads the anticipated amount of current with respect to the load. The ammeter will only display a current reading if the load is in use.

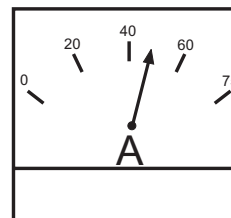


Figure 51. Ammeter (Load)

18. The generator will run until manually stopped or an abnormal condition occurs.

ENGINE SHUTDOWN

To shutdown the generator, use the following procedure:

1. Switch both the MAIN, GFCI and LOAD circuit breakers (Figure 52) to the “OFF” position.

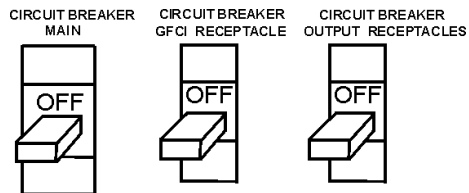


Figure 52. Main, GFCI and Load circuit breakers

2. Set the engine throttle lever to (low) position.
3. Let the engine cool by running it for 3-5 minutes with no load applied.
4. Turn the ignition key to ‘STOP’ (Figure 53).

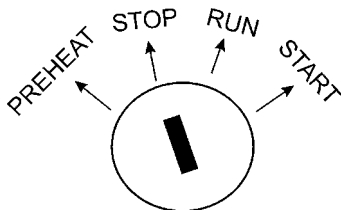


Figure 53. Ignition Switch ‘STOP’

5. Remove the load from the UVW terminal strip.

General Inspection

Prior to each use, the generator should be cleaned and inspected for deficiencies. Check for loose, missing or damaged nuts, bolts or other fasteners. Also check for fuel, oil, and coolant leaks.

Engine Side (Refer to the Engine Instruction Manual)

Air Cleaner

Every 50 hours: Remove air cleaner element and clean heavy duty paper element with kerosene, or foam element with liquid detergent and hot water. Wrap foam element in a cloth and squeeze dry. For heavy duty paper element, wipe excess kerosene with towel.

Fuel Addition

Add diesel fuel (the grade may vary according to season and locations). Always pour through the mesh filter.

Removing Water from the Fuel Tank

After prolonged use, water and other impurities accumulate in the bottom of the tank. Occasionally remove the drain cock and drain the contents. During cold weather, the more empty volume inside the tank, the easier it is for water to condense. This can be reduced by keeping the tank full as much as possible.

Air Removal

If air enters the fuel injection system of a diesel engine, starting becomes impossible. After running out of fuel, or after disassembling the fuel system, bleed the system according to the following procedure.

To restart after running out of fuel, turn the switch to the "ON" position for 15-30 seconds. Try again, if needed. This unit is equipped with an automatic air bleeding system.

Service Daily

If the engine is operating in very dusty or dry grass conditions, a clogged air cleaner will result. This can lead to a loss of power, excessive carbon buildup in the combustion chamber in high fuel consumption.

Cleaning the Fuel Strainer

Clean the fuel strainer if it contains dust or water. Remove dust or water in the strainer cap and wash it in gasoline. Securely fasten the fuel strainer cap so that fuel will not leak. Check the fuel strainer every 200 hours of operation or once a month.

Check Oil Level

Check the crankcase oil level prior to each use, or when the fuel tank is filled. Insufficient oil may cause severe damage to the engine. Make sure the generator is level. The oil level must be between the two notches on the dipstick as shown in Figure 31, page 39.

Replacing Oil Filter

- Detach the oil filter cartridge with a filter wrench.
- Apply a film of oil to the gasket for the cartridge.
- Screw in the cartridge by hand. When the gasket is in contact with the seal surface, tighten the cartridge one or two more times by hand.
- After the oil cartridge has been replaced, the engine oil will drop slightly. Run the engine for a while and check for leaks before adding more oil if needed. Clean excessive oil from engine.

Replacing Fuel Filter

- Replace the fuel filter cartridge with new one every 400 hours or so.
- Apply fuel oil thinly over the gasket and hand-tighten the cartridge into position.
- Vent any air.

Flushing Out Radiator and Replacing Coolant

- Open both cocks located at the crankcase side and at the lower part of the radiator and drain coolant. Open the radiator cap while draining. Remove the overflow tank and drain.
- Check hoses for softening and kinks. Check clamps for signs of leakage.
- Flush the radiator by running clean tap water through radiator until signs of rust and dirt are removed. **DO NOT** clean radiator core with any objects, such as a screwdriver.
- Tighten both cocks and replace the overflow tank.
- Replace with coolant (see page 40, Table 12 for mixture).
- Close radiator cap tightly.

CAUTION :



Allow engine to cool when flushing out radiator. Flushing the radiator while hot will damage radiator.

Generator Storage

For storage of the generator for over 30 days, the following is required:

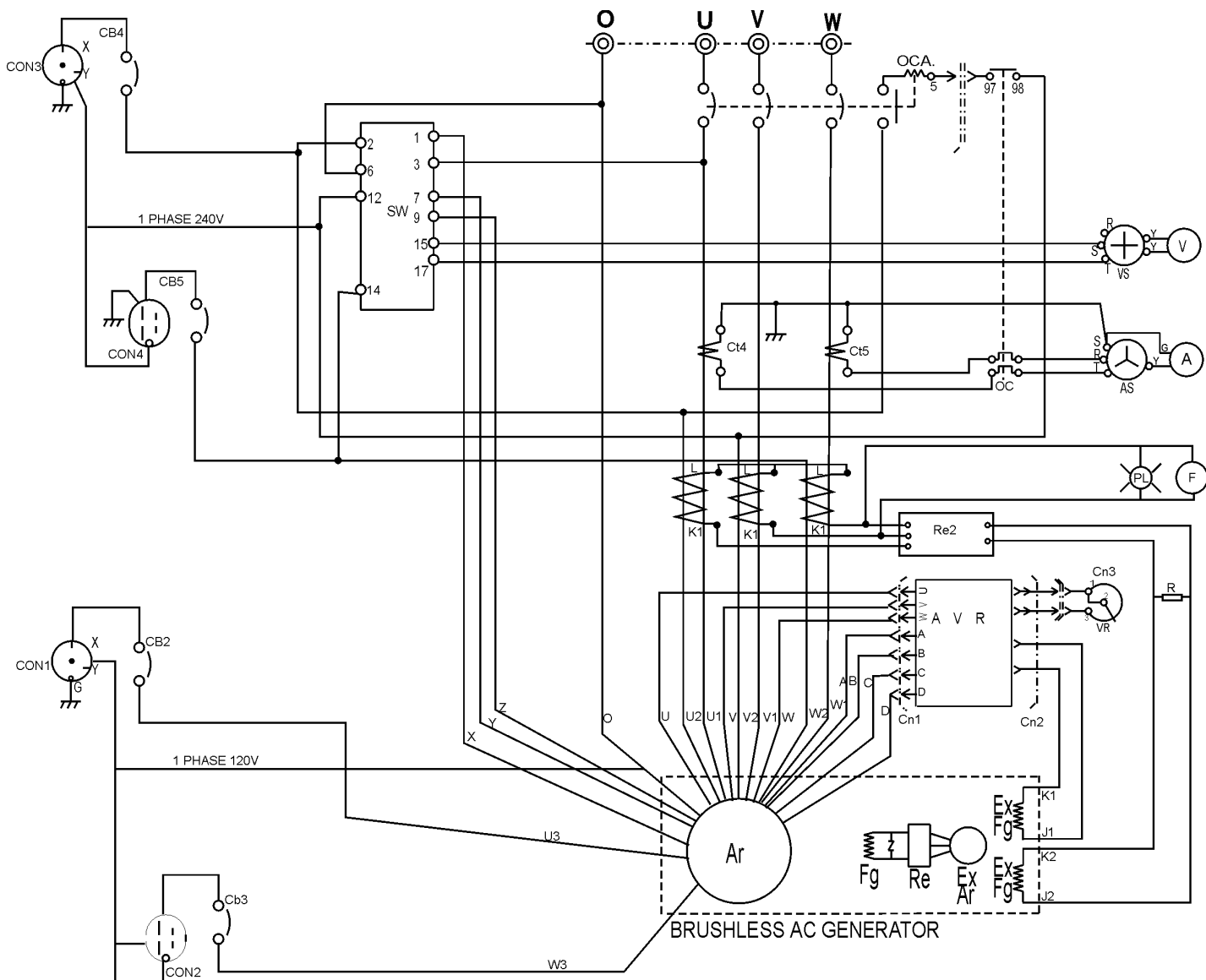
- Drain the fuel tank completely.
- Completely drain the oil from the crankcase and refill with fresh oil.
- Clean all external parts of the generator with a cloth.
- Cover the generating set and store in a clean, dry place.

INSPECTION / MAINTENANCE		10 Hrs DAILY	250 Hrs	500 Hrs	1000 Hrs
ENGINE	Check Engine Fluid Levels	X			
	Check Air Cleaner	X			
	Check Battery Acid Level	X			
	Check Fan Belt Condition	X			
	Check for Leaks	X			
	Check for Loosening of Parts	X			
	Replace Engine Oil and Filter *1		X		
	Clean Air Filter		X		
	Drain Bottom of Fuel Tank		X		
	Clean Unit, Inside and Outside		X		
	Change Fuel Filter *2			X	
	Clean Radiator and Check Coolant Protection Level			X	
	Replace Air Filter Element				X
	Change Corrosion Resistor				X
	Check all Hoses and Clamps				X
Clean Inside of Fuel Tank				X	
GENERATOR	Measure Insulation Resistance Over 3M ohms		X		

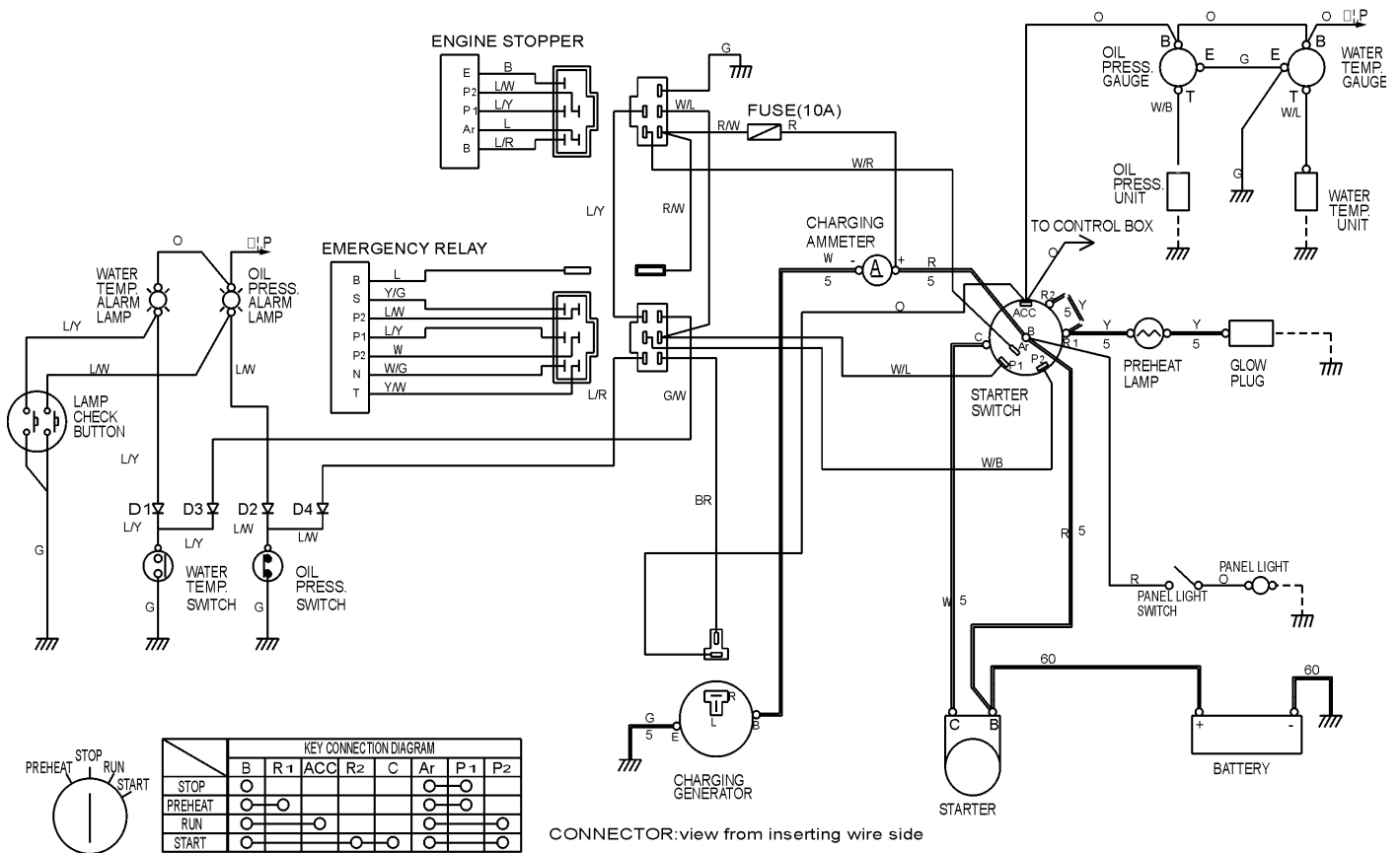
*1 Replace engine oil and filter at 100 hours, first time only.

*2 Replace fuel filter at 250 Hours, first time only.

DCA-25SSAI — GENERATOR WIRING DIAGRAM



DCA-25SSAI — ENGINE WIRING DIAGRAM



KEY CONNECTION DIAGRAM

	B	R 1	ACC	R 2	C	A r	P 1	P 2
STOP	○						○	○
PREHEAT	○	○					○	○
RUN	○	○	○				○	○
START	○			○	○		○	○

CONNECTOR: view from inserting wire side

WIRE SIZE	COLOR CODE	
60: 60 mm ²	WIRE COLOR	WIRE COLOR
5: 5 mm ²	B BLACK	R RED
	L BLUE	W WHITE
	BR BROWN	Y YELLOW
	G GREEN	LB LIGHT BLUE
	GR GRAY	LG LIGHT GREEN
	V VIOLET	O ORANGE
	P PINK	

DCA-25SSAI — TROUBLESHOOTING (ENGINE)

Practically all breakdowns can be prevented by proper handling and maintenance inspections, but in the event of a breakdown, use the tables shown for

diagnosis based on the Engine Troubleshooting (Table 14). If the problem cannot be remedied, consult our company's business office or service plant.

TABLE 14. ENGINE TROUBLESHOOTING

SYMPTOM	POSSIBLE PROBLEM	SOLUTION
Engine does not start.	No fuel?	Replenish fuel.
	Air in the fuel system?	Bleed system.
	Water in the fuel system?	Remove water from fuel tank.
	Fuel pipe clogged?	Clean fuel pipe.
	Fuel filter clogged?	Clean or change fuel filter.
	Excessively high viscosity of fuel or engine oil at low temperature?	Use the specified fuel or engine oil.
	Fuel with low cetane number?	Use the specified fuel.
	Fuel leak due to loose injection pipe retaining nut?	Tighten nut.
	Incorrect injection timing?	Adjust.
	Fuel cam shaft worn?	Replace.
	Injection nozzle clogged?	Clean injection nozzle.
	Injection pump malfunctioning?	Repair or replace.
	Seizure of crankshaft, camshaft, piston, cylinder liner or bearing?	Repair or replace.
	Compression leak from cylinder?	Replace head gasket, tighten cylinder head bolt, glow plug and nozzle holder.
	Improper valve timing?	Correct or replace timing gear.
	Piston ring and liner worn?	Replace.
Excessive valve clearance?	Adjust.	

TABLE 14. ENGINE TROUBLESHOOTING (CONTINUED)

SYMPTOM	POSSIBLE PROBLEM	SOLUTION
Engine revolution is not smooth.	Fuel filter clogged or dirty?	Clean or change.
	Air cleaner clogged?	Clean or change.
	Fuel leak due to loose injection pipe retaining nut?	Tighten nut.
	Injection pump malfunctioning?	Repair or replace.
	Incorrect nozzle opening pressure?	Adjust.
	Injection nozzle stuck or clogged?	Repair or replace.
	Fuel over flow pipe clogged?	Clean.
	Governor malfunctioning?	Repair.
Either white or blue exhaust gas is observed.	Excessive engine oil?	Reduce to the specified level.
	Piston ring and liner worn or stuck?	Repair or replace.
	Incorrect injection timing?	Adjust.
	Deficient compression?	Adjust top clearance.
Either black or dark gray exhaust gas is observed.	Overload?	Lessen the load.
	Low grade fuel used?	Use the specified fuel.
	Fuel filter clogged?	Clean or change.
	Air cleaner clogged?	Clean or change.
	Deficient nozzle injection?	Repair or replace the nozzle.
Deficient output.	Incorrect injection timing?	Adjust.
	Engine's moving parts seem to be seizing?	Repair or replace.
	Uneven fuel injection?	Repair or replace the injection pump.
	Deficient nozzle injection?	Repair or replace the nozzle.
	Compression leak?	Replace head gasket, tighten cylinder head bolt, glow plug and nozzle holder.

TABLE 17. GENERATOR TROUBLESHOOTING

SYMPTOM	POSSIBLE PROBLEM	SOLUTION
No Voltage Output	AC Voltmeter defective?	Check output voltage using a voltmeter.
	Is wiring connection loose?	Check wiring and repair.
	Is AVR defective?	Replace if necessary.
	Defective Rotating Rectifier?	Check and replace.
Low Voltage Output	Is engine speed correct?	Turn engine throttle lever to "High".
	Is wiring connections loose?	Check wiring and repair.
	Defective AVR?	Replace if necessary.
High Voltage Output	Is wiring connections loose?	Check wiring and repair.
	Defective AVR?	Replace if necessary.
Circuit Breaker Tripped	Short Circuit in load?	Check load and repair.
	Over current?	Confirm load requirements and reduce.
	Defective circuit breaker?	Check and replace.
	Over current Relay actuated?	Confirm load requirement and replace.

EXPLANATION OF CODE IN REMARKS COLUMN

How to read the marks and remarks used in this parts book.

Items Found In the “Remarks” Column

Serial Numbers-Where indicated, this indicates a serial number range (inclusive) where a particular part is used.

Model Number-Where indicated, this shows that the corresponding part is utilized only with this specific model number or model number variant.

Items Found In the “Items Number” Column

All parts with same symbol in the number column, *, #, +, or %, belong to the same assembly or kit.

Note: If more than one of the same reference number is listed, the last one listed indicates newest (or latest) part available.

DCA-25SSAI W/ISUZU C240 DIESEL ENGINE 1 TO 3 UNITS

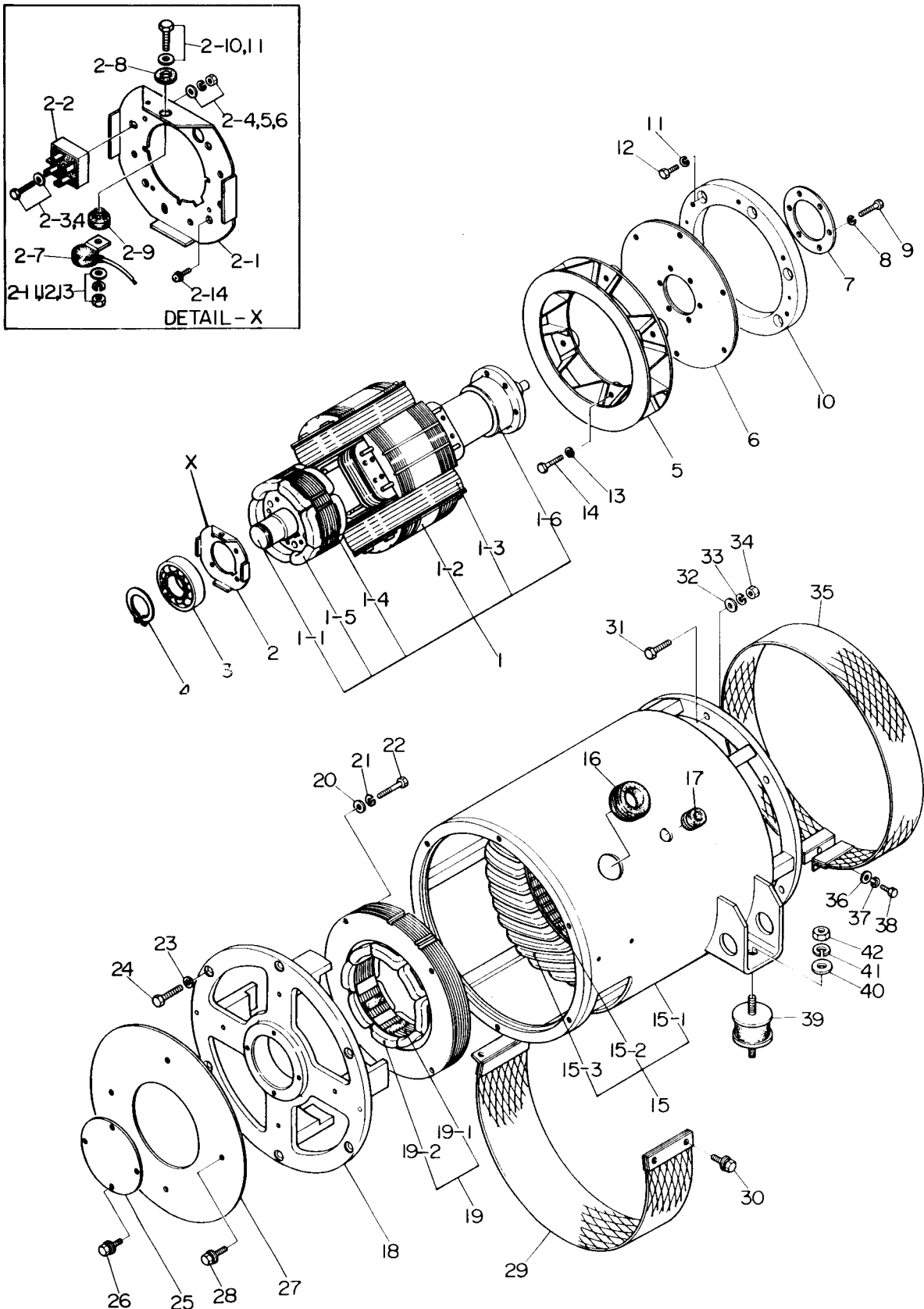
Qty.	P/N	Description
10	0601804971	CIRCUIT BREAKER
20	X132400150	FUEL FILTER
20	5873103370	OIL FILTER
5	5136710400	FAN BELT
1	8943768300	WATER PUMP
2	9136140430	WATER PUMP GASKET
2	1823100080	STARTER SWITCH
5	KEYISUZUF	STARTER SWITCH KEY
3	0602122272	OIL SENDING UNIT
2	5137700221	THERMOSTAT
2	X137130020	THERMOSTAT GASKET
2	9214311960	RADIATOR HOSE (UPPER)
2	9214311980	RADIATOR HOSE (LOWER)
1	0810105004	FUEL CAP
8	9825119783	GLOW PLUGS
2	5153110060	INJECTOR NOZZLES
1	5825500191	EMERGENCY RELAY
1	5819000200	STOPPER ENGINE
1	5812003411	ALTERNATOR
1	8944532120	STARTER
1	0800225200	AUTOMATIC VOLTAGE REGULATOR
1	0601808810	MAIN CIRCUIT BREAKER
1	0601840031	VOLTAGE REGULATOR (RHEOSTAT)
1	M1923100004	SELECTOR SWITCH
1	47130106	SELECTOR SWITCH KNOB
2	5814200330	PREHEAT LAMP BULB

NOTE

Part number on this Suggested Spare Parts list may supercede/replace the P/N shown in the text pages of this book.

DCA-25SSAI --- GENERATOR ASSY.

GENERATOR ASSY.



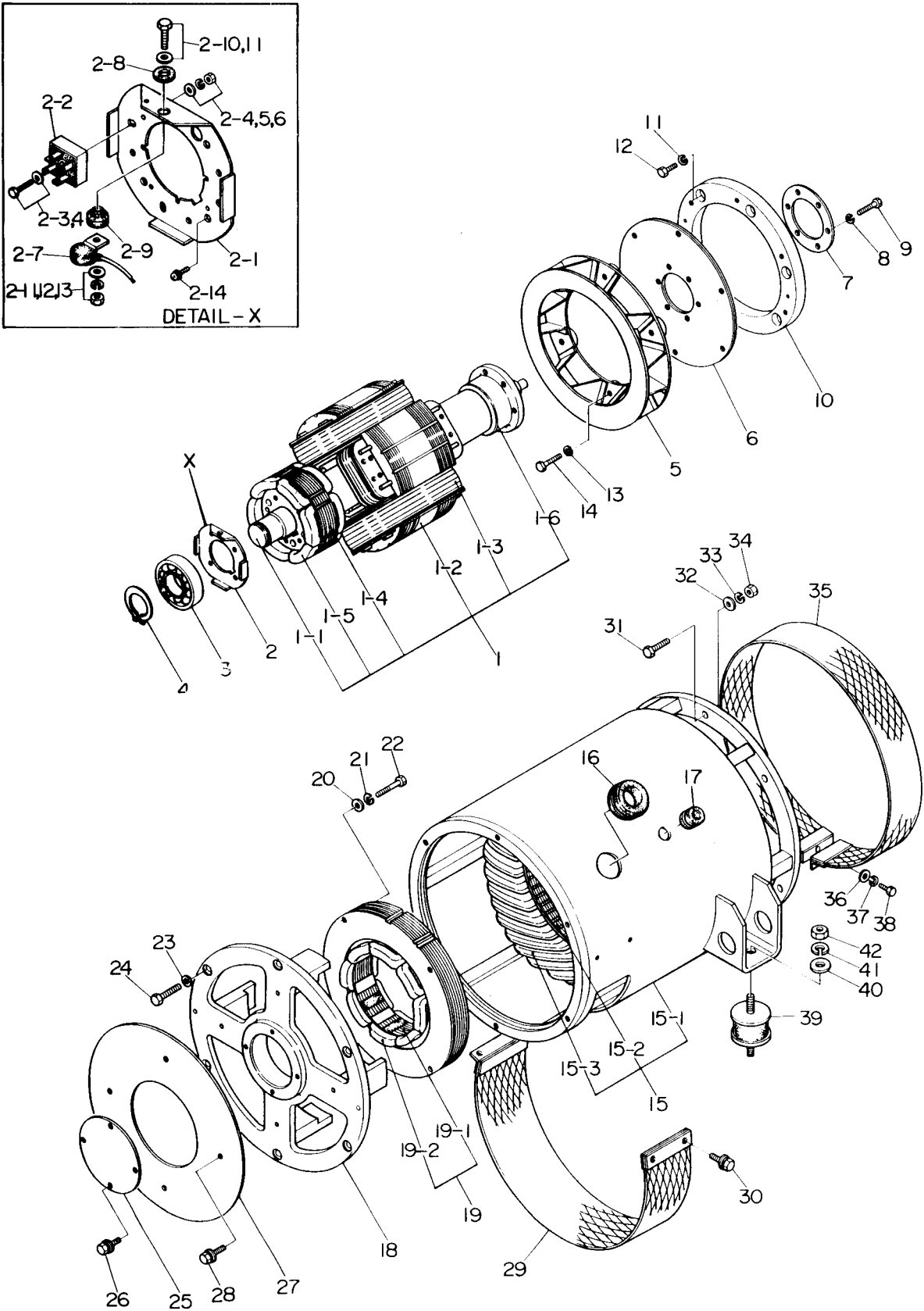
DCA-25SSAI --- GENERATOR ASSY.

GENERATOR ASSY.

<u>NO.</u>	<u>PART NO.</u>	<u>ITEM</u>	<u>QTY.</u>	<u>REMARKS</u>
1	3331040400	FIELD ASSY.	1	
1-1	3331010112	SHAFT	1	
1-2	3331042303	FIELD CORE	1	
1-3	3331080013	FIELD COIL	1	
1-4	7511032103	ARMATURE CORE, EXCITER	1	
1-5	7511085103	ARMATURE COIL, EXCITER	1	
1-6	3331610003	COUPLING HUB	1	
2	7511025103	RECTIFIER ASSY.	1	
2-1	3361026003	SET PLATE, RECTIFIER	1	
2-2	0601820067	RECTIFIER	2	PB2510
2-3	0010004020	HEX. HEAD BOLT	2	
2-4	0041604000	PLAIN WASHER	4	
2-5	0040004000	LOCK WASHER	2	
2-6	OEMAA8	HEX. NUT	2	REPLACES 0030004000
2-7	0601822601	SURGE ABSORBER	1	ERZ,14JK621A
2-8	0801841004	INSULATOR WASHER	1	
2-9	0801841104	INSULATOR WASHER	1	
2-10	0017105020	HEX. HEAD BOLT	1	REPLACES 0010005020
2-11	58151	PLAIN WASHER	2	REPLACES 0041605000
2-12	0032005000	LOCK WASHER	1	REPLACES 0040005000
2-13	0030005000	HEX. NUT	1	
2-14	0011305100	HEX. HEAD BOLT	4	REPLACES 0017105012
3	042006309	BEARING	1	6309ZZ; REPLACES 0070506309
4	0080000045	SNAP RING	1	
5	3331070002	FAN	1	
6	3331611002	COUPLING DISK	1(4)	
7	3331612004	WASHER, COUPLING HUB	1	
8	0040008000	LOCK WASHER	6	
9	014208020	HEX. HEAD BOLT	6	REPLACES 0010308020
10	3331614002	COUPLING RING	1	
11	0040008000	LOCK WASHER	6	
12	011208025	HEX. HEAD BOLT	6	REPLACES 0010308025
13	004000800	LOCK WASHER	6	
14	011008040	HEX.HEAD BOLT	6	REPLACES 0010308040
15	3331341600	STATOR ASSY.	1	
15-1	3331320502	GENERATOR FRAME	1	
15-2	7511342114	ARMATURE CORE	1	
15-3	3331366013	ARMATURE COIL	1	
16	0801350104	GROMMET	1	
17	0601850264	GROMMET	2	
18	7511315103	END BRACKET	1	
19	7511350000	FIELD ASSY. EXCITER	1	
19-1	7511352103	FIELD CORE, EXCITER	1	
19-2	7511362103	FIELD COIL, EXCITER	1	

DCA-25SSAI --- GENERATOR ASSY.

GENERATOR ASSY.



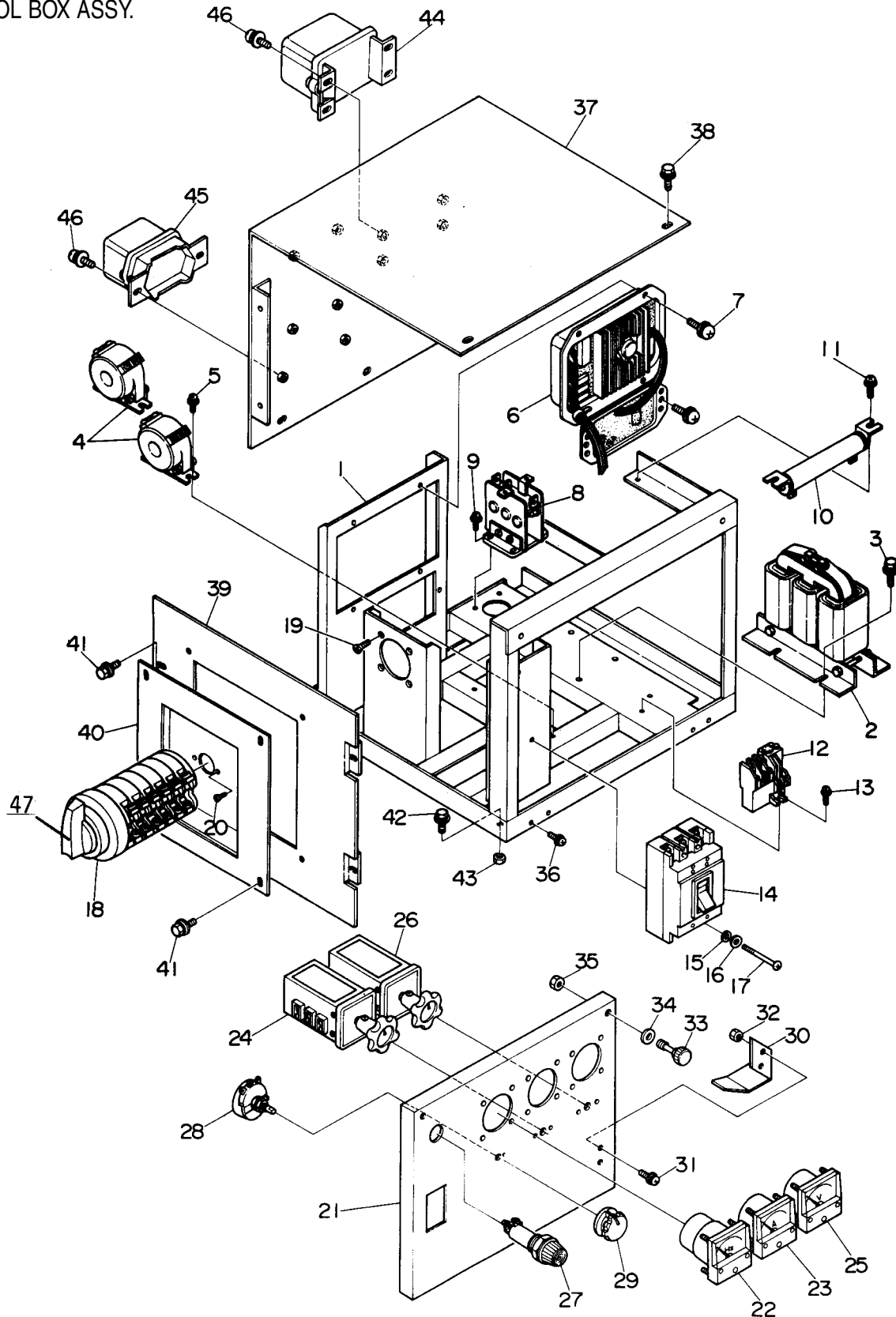
DCA-25SSAI --- GENERATOR ASSY.

GENERATOR ASSY.

<u>NO.</u>	<u>PART NO.</u>	<u>ITEM</u>	<u>QTY.</u>	<u>REMARKS</u>
20	031108160	PLAIN WASHER	4	REPLACES 0041608000
21	0040008000	LOCK WASHER	4	
22	0010008055	HEX. HEAD BOLT	4	
23	0040008000	LOCK WASHER	6	
24	011208030	HEX. HEAD BOLT	6	REPLACES 0010008030
25	3331310104	COVER, BEARING	1	
26	0105050616	HEX. HEAD BOLT	4	REPLACES 0010006012
27	7511331104	COVER, END BRACKET	1	
28	0105050616	HEX. HEAD BOLT	4	REPLACES 0017106012
31	012010040	HEX.HEAD BOLT	6	REPLACES 0010310040
32	031110160	PLAIN WASHER	6	REPLACES 0041610000
33	0040010000	LOCK WASHER	6	
34	0030310000	HEX. NUT	6	
35	7511332103	COVER, FAN	1	
36	0041606000	PLAIN WASHER	1	
37	952404470	LOCK WASHER	1	REPLACES 0040006000
38	0010006030	HEX. HEAD BOLT	1	
39	0605000008	RUBBER SUSPENSION	2	
40	031110160	PLAIN WASHER	4	REPLACES 0041610000
41	0040010000	LOCK WASHER	4	
42	020310080	HEX. NUT	4	REPLACES 0030110000

DCA-25SSAI --- CONTROL BOX ASSY.

CONTROL BOX ASSY.



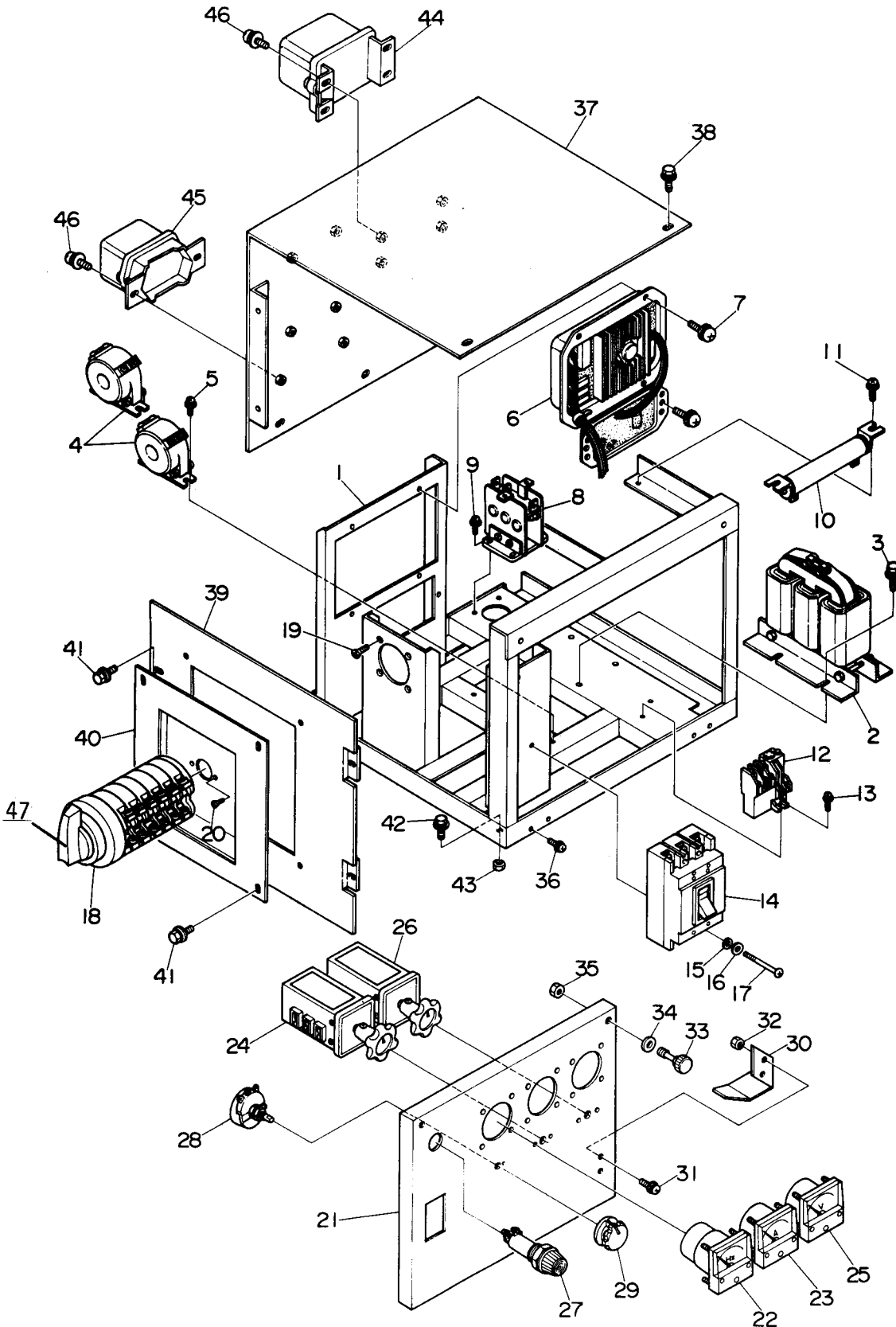
DCA-25SSAI --- CONTROL BOX ASSY.

CONTROL BOX ASSY.

<u>NO.</u>	<u>PART NO.</u>	<u>ITEM</u>	<u>QTY.</u>	<u>REMARKS</u>
1	3331813502	CONTROL BOX	1	UP TO S/N3311929
	3331813512	CONTROL BOX	1	S/N3311930~
2	7511870103	CURRENT TRANSOFRMER	1	
3	0017106016	HEX. HEA DBOLT	4	
4	0601801192	CURRENT TRANSFORMER, AMMETER .	2	CT3.5MR 50/5A
5	0027104010	MACHINE SCREW	4	
6	0800225200	AUTOMATIC VOLTAGE REGULATOR	1	AE2206A
7	0027106010	MACHINE SCRE	6	
8	0601820042	RECTIFIER	1	16T60
9	0027103010	MACHINE SCREW	4	
10	0601842057	RESITOR	1	
11	0027105010	MACHINE SCREW	2	
12	0601820851	OVER CURRENT RELAY	1	
13	0027104016	MACHINE SCREW	2	
14	0601804971	CIRCUIT BREAKER	1	TO100CC500V 60AT
15	0041604000	PLAIN WASHER	2	
16	0040004000	LOCK WASHER	2	
17	0021004060	MACHINE SCREW	2	
18	0601830625	CHANGE-OVER SWITCH, VOLTAGE	1	VY40
19	0021104016	MACHINE SCREW	4	
20	0020004010	MACHINE SCREW	2	UP TO S/N331929
	0020004020	MACHINE SCREW	2	S/N331930~
21	3331823513	CONTROL PANEL	1	
22	0601800460	FREQUENCY METER	1	PAK60 220V 45~65Hz
23	0601800783	AC AMMETER	1	PSK60 0~50A 0~100A
24	0601801040	CHANGE-OVER SWITCH, AMMETER	1	SL2AS
25	0601800217	AC VOLTMETER	1	PCK60 0~600V
26	0601801041	CHANGE-OVER SW., VOLTMETER	1	SL2VS
27	0601810072	PILOT LAMP	1	LP132DC 220V
	0601810261	BULB	1	
28	0601840031	VOLTAGE REGULATOR	1	RA30A2FE202BJ
29	0601840120	KNOB	1	

DCA-25SSAI --- CONTROL BOX ASSY.

CONTROL BOX ASSY.



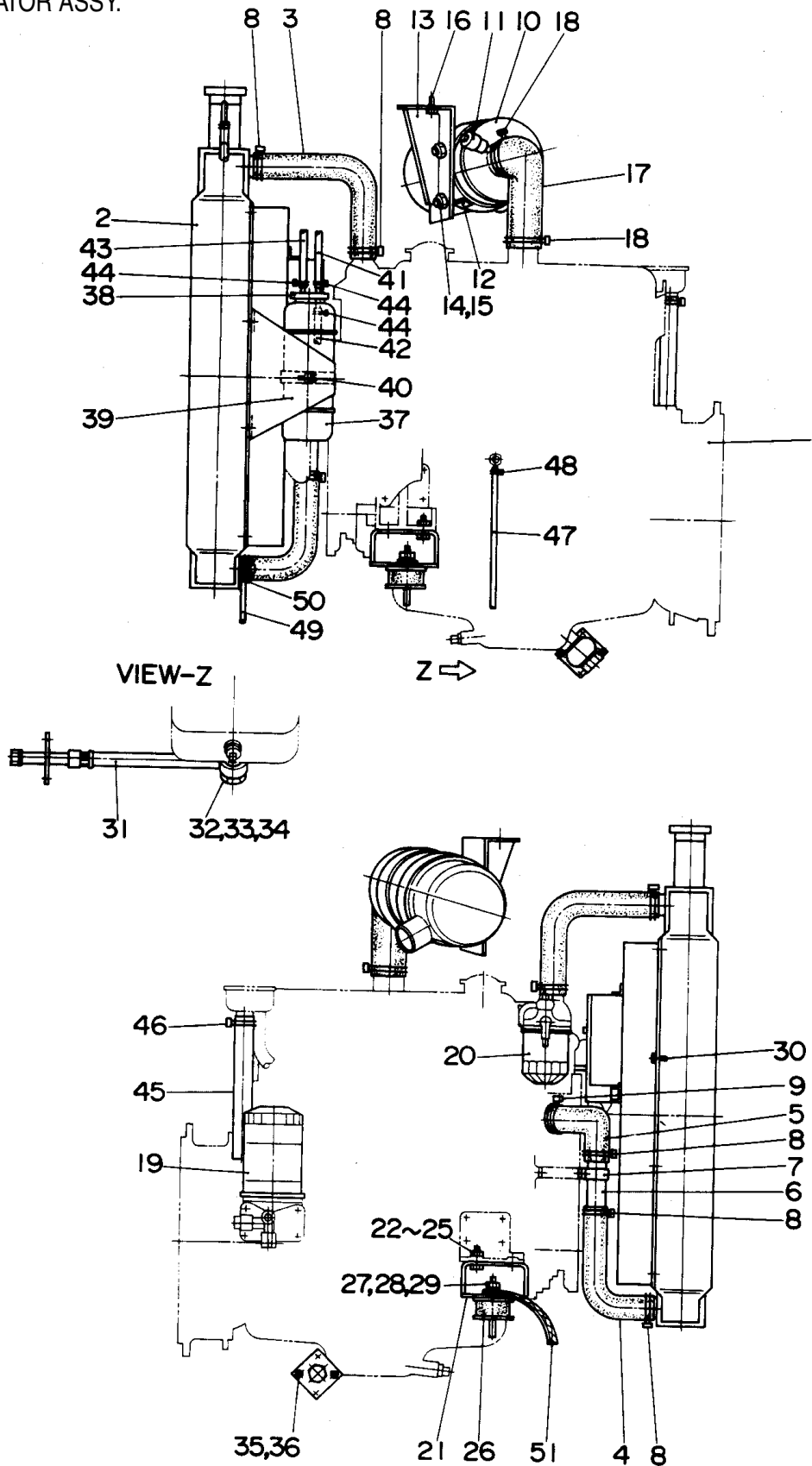
DCA-25SSAI --- CONTROL BOX ASSY.

CONTROL BOX ASSY.

<u>NO.</u>	<u>PART NO.</u>	<u>ITEM</u>	<u>QTY.</u>	<u>REMARKS</u>
30	3901824004	STOPPER, CONTROL PANEL	1	
31	0027105016	MACHINE SCREW	2	
32	0030005000	HEX. NUT	2	
33	0805001304	SET SCREW, CONTROL PANEL	2	
34	031108160	PLAIN WSHER	2	REPLACES 0041608000
35	020108060	HEX. NUT	2	REPLACES 0030008000
36	0027105010	MACHINE SCREW	4	
37	3331814703	COVER, CONTROL BOX	1	UP TO S/N3311929
	3331814713	COVER, CONTROL BOX	1	S/N3311930~
38	0017106016	HEX. HEAD BOLT	5	
39	3331826713	SIDE PANEL, CONTROL BOX	1	UP TO S/N3311929
	3331826723	SIDE PANEL, CONTROL BOX	1	S/N3311930~
40	3331826804	COVER, SIDE PANEL	1	UP TO S/N3311929
41	0017106016	HEX. HEAD BOLT	6	UP TO S/N3311929
	0017106016	HEX. HEAD BOLT	4	S/N3311930~
42	011008020	HEX. HEAD BOLT	4	REPLACES 0017108020
43	020108060	HEX. NUT	4	REPLACES 0030008000
44	5825500422	EMERGENCY RELAY	1	REPLACES 0602200406 AND 5825500191
45	9822531070	REGULATOR	1	REPLACES 0602201305
46	0027106016	MACHINE SCREW	6	
47	0601830614	SWITCH CAP	1	

DCA-25SSAI ENGINE AND RADIATOR ASSY.

ENGINE AND RADIATOR ASSY.



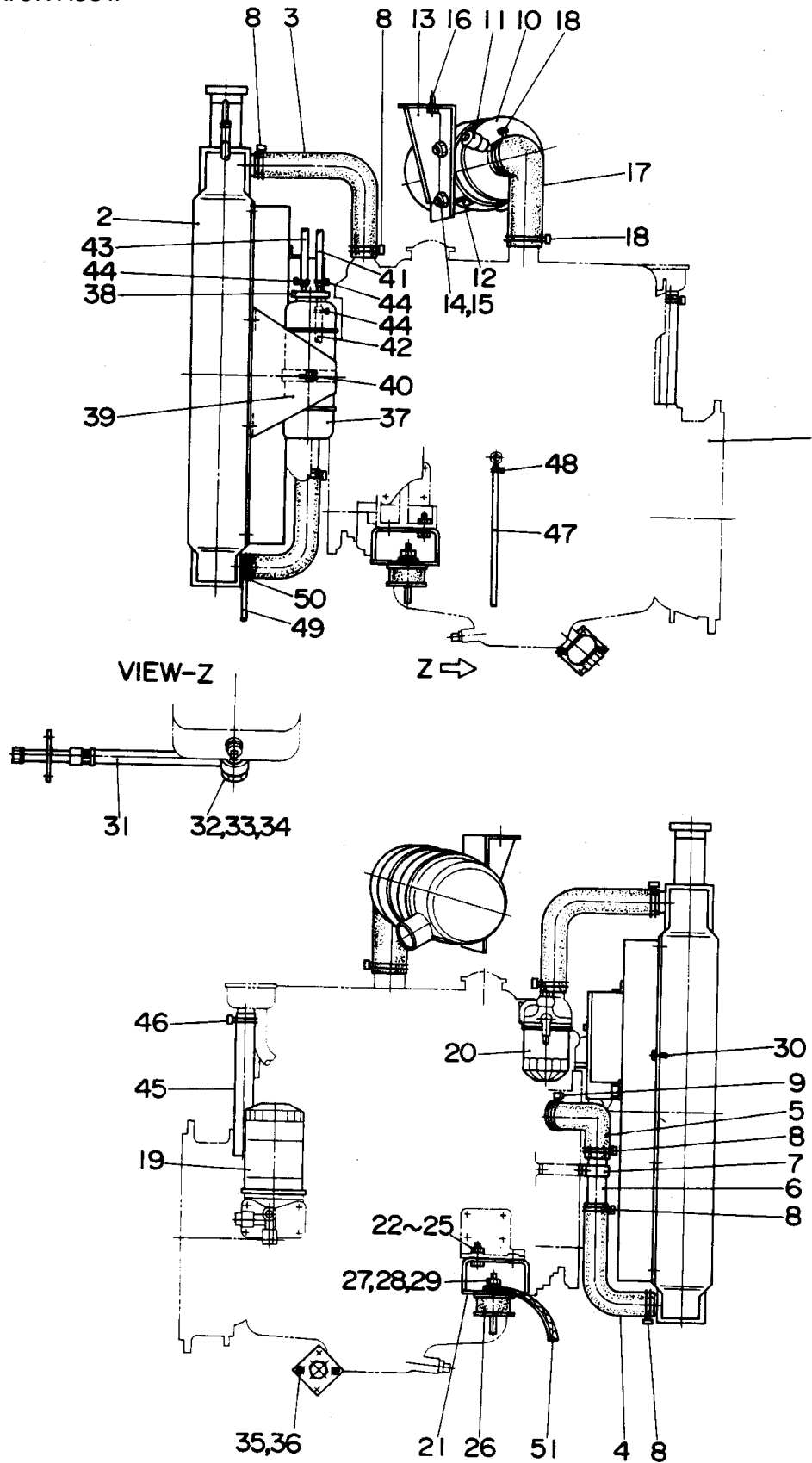
DCA-25SSAI ENGINE AND RADIATOR ASSY.

ENGINE AND RADIATOR ASSY.

<u>NO.</u>	<u>PART NO.</u>	<u>ITEM</u>	<u>QTY.</u>	<u>REMARKS</u>
1	C240PR12	ENGINE	1	REPLACES 0602000008; ISUZU C240
2	0602010067	RADIATOR.....	1	TCR38253
3	9214311960	RADIATOR HOSE	1	REPLACES 0602013008
4	9214311980	RADIATOR HOSE	1	REPLACES 0602013109
5	9214311970	RADIATOR HOSE	1	REPLACES 0602013108
6	3332011504	RADIATOR PIPE	1	
7	3332012504	CLAMPER	1	
8	0602014000	HOSE BAND	5	
9	0602014004	HOSE BAND	1	
10	8941521130	AIR CLEANER	1	REPLACES 0602040069;FWG058036
	5142150140	ELEMENT, AIR CLEANER	1	REPLACES 0602040175;P105629
11	0602040690	DUST INDICATOR	1	RPX002252
12	0602040593	BAND, AIR CLEANER	2	9002348
13	3332031103	BRACKET, AIR CLEANER	1	
14	011008020	HEX. HEAD BOLT	4	REPLACES 0017108020
15	020108060	HEX. NUT	4	REPLACES 0030008000
16	0017110025	HEX. HEAD BOLT	2	
17	1322036004	HOSE,AIR CLEANER	1	
18	0605515010	HOSE BAND	2	
19	8970246071	CARTRIDGE, OIL FILTER	1	REPLACES 0602041175 AND 8941564550
20	8971725490	CARTRIDGE, FUEL FILTER.....	1	REPLACES 0602042102 AND 8941434790
21	3335112204	ENGINE FOOT	2	
22	012210035	HEX. HEAD BOLT	4	REPLACES 0010010035
23	031110160	PLAIN WASHER	4	REPLACES 0041610000
24	0040010000	LOCK WASHER	4	
25	020310080	HEX. NUT	4	REPLACES 0030010000
26	0605000008	RUBBER SUSPENSION	2	
27	0041610000	PLAIN WASHER	4	REPLACES 0041610000
28	0040010000	LOCK WASHER	4	
29	020310080	HEX. NUT	4	REPLACES 0030110000
30	011008020	HEX. HEAD BOLT	8	REPLACES 0017108020
31	0802020403	DRAIN PIPE	1	
32	0805006304	PACKING, OIL PAN SIDE	1	
33	0602021100	PACKING	1	9099209590
34	0805006204	JOINT BOLT	1	
35	011206020	HEX. HEAD BOLT	2	REPLACES 0017106020
36	020106050	HEX. NUT	2	REPLACES 0030006000
37	0802081403	RESERVE TANK	1	
38	0802081104	CAP, RESERVE TANK	1	
39	8012082103	BRACKET, RESERVE TANK	1	REPLACES 3335182123
40	011606025	HEX. HEAD BOLT	1	REPLACES 0017106025
41	0199500550	HOSE	1	
42	0199500220	HOSE	1	
43	0193600970	HOSE	1	
44	0605515013	HOSE BAND	4	

DCA-25SSAI ENGINE AND RADIATOR ASSY.

ENGINE AND RADIATOR ASSY.



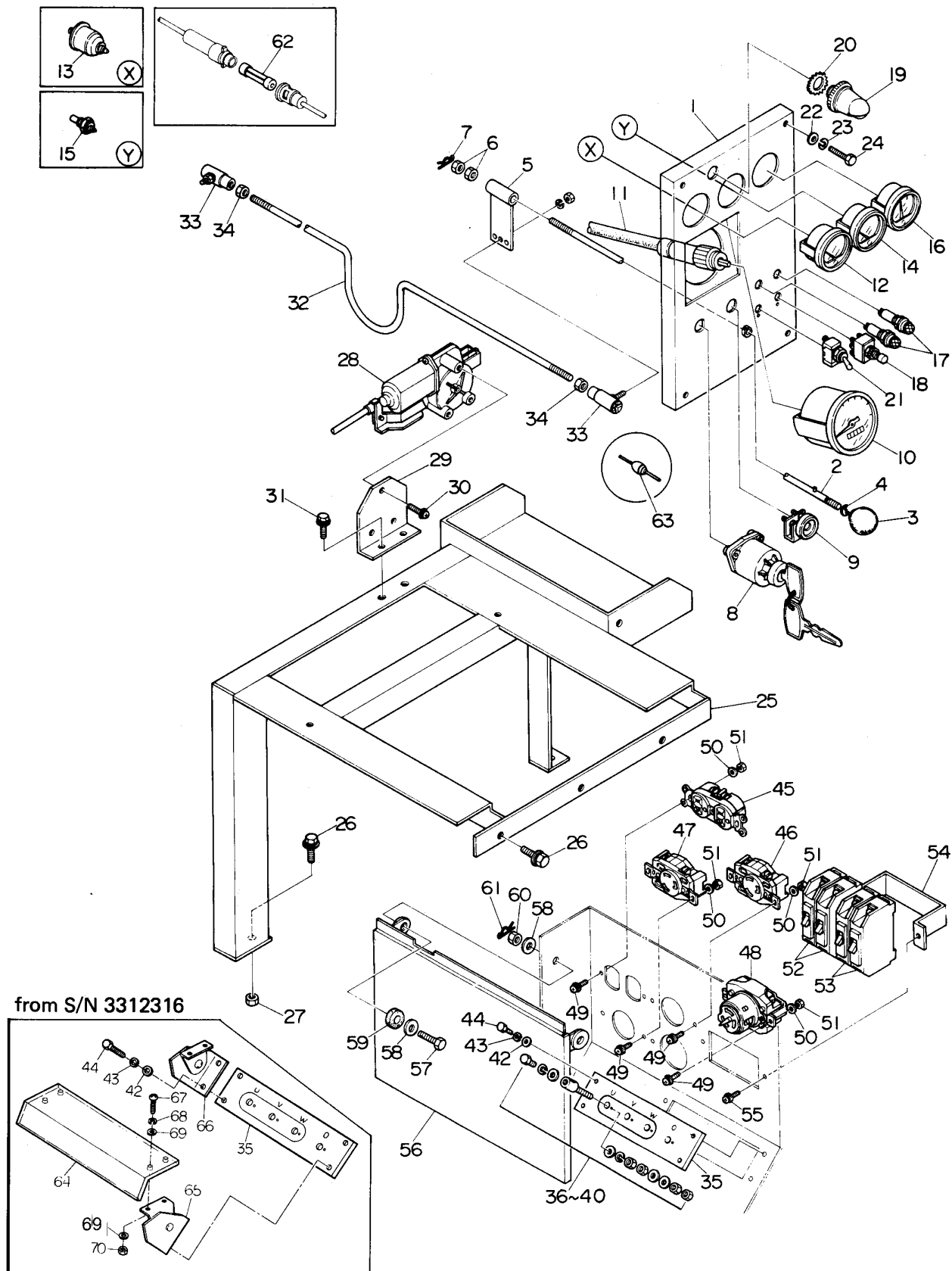
DCA-25SSAI ENGINE AND RADIATOR ASSY.

ENGINE AND RADIATOR ASSY.

<u>NO.</u>	<u>PART NO.</u>	<u>ITEM</u>	<u>QTY.</u>	<u>REMARKS</u>
45	0194500600	BREATHER HOSE	1	
46	0605515022	HOSE BAND	2	
47	0193000500	HOSE	1	
48	0605515005	HOSE BAND	1	
49	0193100200	HOSE	1	
50	0605515000	HOSE BAND	1	
51	9829315110	EARTH CABLE	1	REPLACES 0602220000

DCA-25SSAI --- ENGINE OPERATING PANEL ASSY.

ENGINE OPERATING PANEL ASSY.



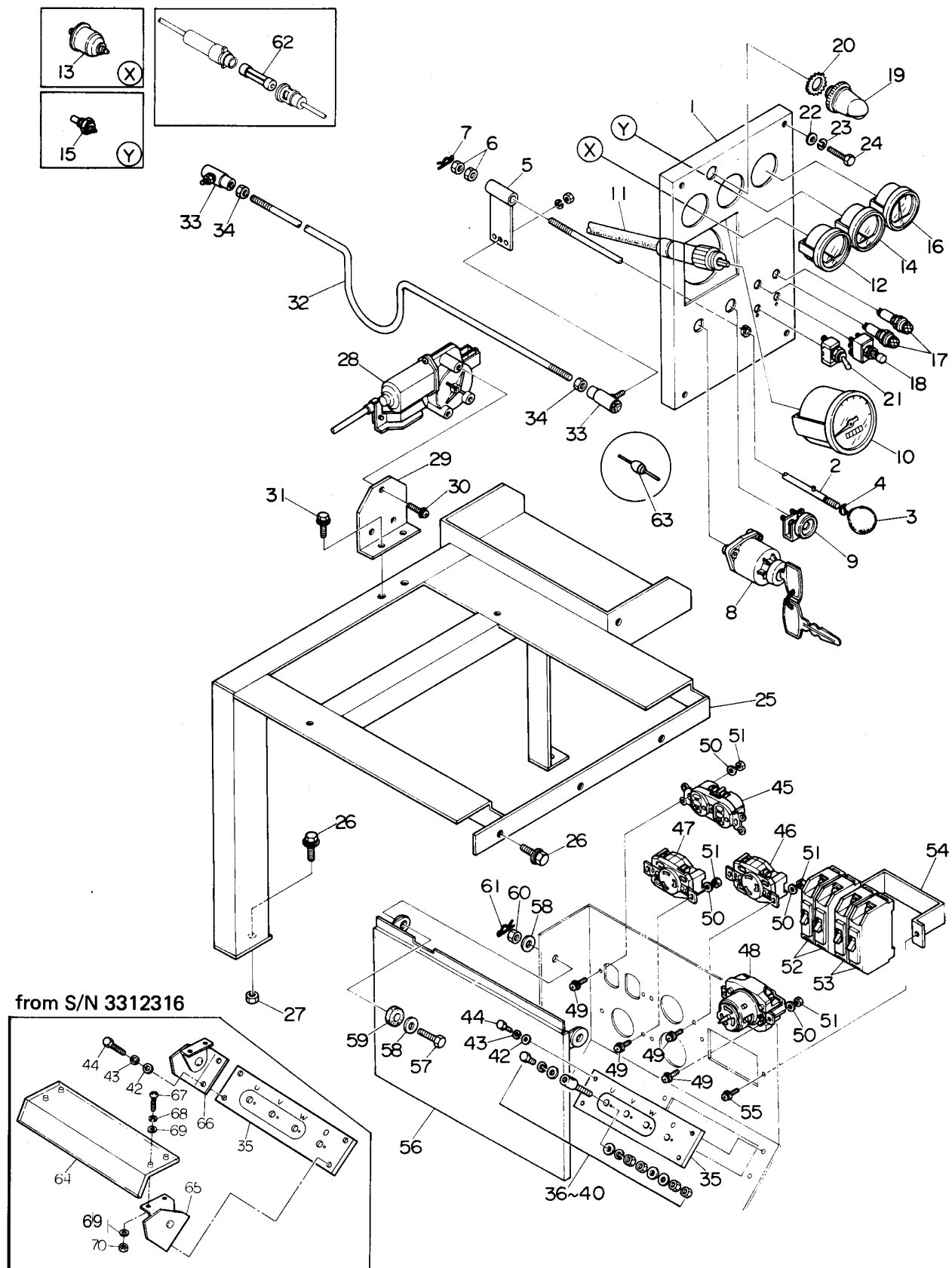
DCA-25SSAI --- ENGINE OPERATING PANEL ASSY.

ENGINE OPERATING PANEL ASSY.

<u>NO.</u>	<u>PART NO.</u>	<u>ITEM</u>	<u>QTY.</u>	<u>REMARKS</u>
1	3332111603	OPERATING PANEL	1	
2	3332142004	SLIDE BAR	1	
3	0601840190	KNOB	1	REPLACES 0805012904
4	0080200006	SNAP RING	1	
5	3332140504	BRACKET, GOVERNOR ROD	1	
6	020108060	HEX. NUT	2	REPLACES 0030008000
7	0605010503	SNAP PIN	1	
8	1823100080	STARTER SWITCH	1	REPLACES 0602100004
9	5814200330	PREHEAT LAMP	1	REPLACES 0602102002 AND 9825301090
10	0602120053	TACHOMETER	1	REPLACES 0602120052;25000KX3710
11	0602120167	CABLE, TACHOMETER	1	62100KB3900L=1000
12	0602122050	OIL PRESSURE GAUGE	1	42000KX1412
13	0602122200	UNIT, OIL PRESSURE	1	53000AC0101
14	0602123060	WATER TEMPERATURE GAUGE	1	40000KB5111
15	0602123201	UNIT, WATER TEMPERATURE	1	51400KV0200
16	0602121052	CHARGING AMMETER	1	43000KV0300
17	0602103061	ALARM LAMP	2	
	0601810245	BULB	2	
18	0601830420	SWITCH, LAMP CHECK	1	SB61A
19	0601810141	PANEL LIGHT	1	9826800370
20	0040520000	TOOTHED LOCK WASHER	1	
21	0601830710	SWITCH, PANEL LIGHT	1	
22	031108160	PLAIN WASHER	4	REPLACES 0041608000
23	0040008000	LOCK WASHER	4	
24	011008040	HEX. HEAD BOLT	4	REPLACES 0010008040
25	3335312402	SUPPORT LEG	1	
26	012010030	HEX. HEAD BOLT	5	REPLACES 0017110030
27	020310080	HEX. NUT	2	REPLACES 0030010000
28	5819000200	ENGINE STOPPER	1	REPLACES 0602210802
29	3332159204	BRACKET, ENGINE STOPPER	1	
30	0027106016	MACHINE SCREW	3	
31	011008020	HEX. HEAD BOLT	2	REPLACES 0017108020
32	3332152704	GOVERNOR ROD	1	
33	0602180101	BALL JOINT	2	

DCA-25SSAI --- ENGINE OPERATING PANEL ASSY.

ENGINE OPERATING PANEL ASSY.

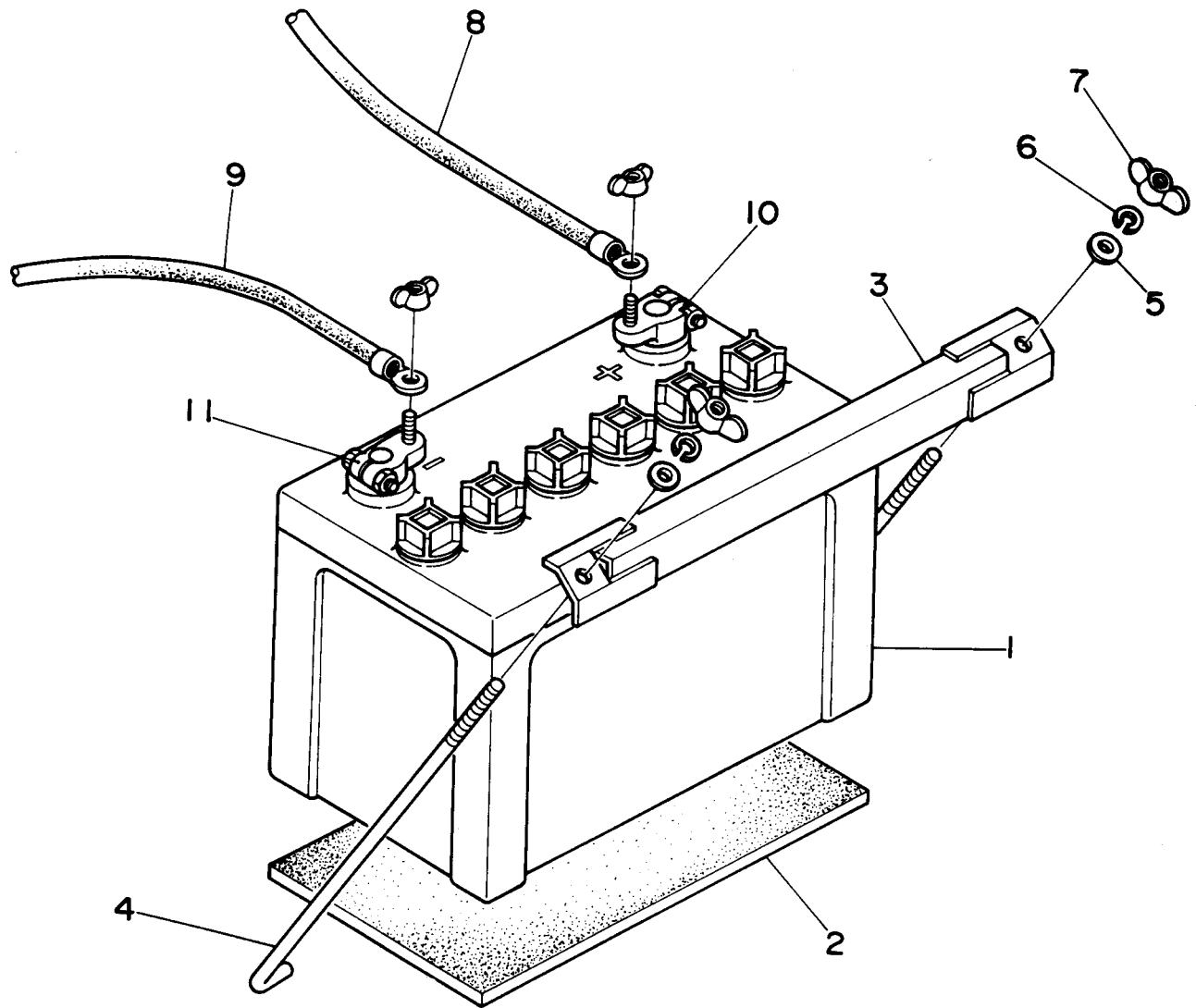


DCA-25SSAI --- ENGINE OPERATING PANEL ASSY.

ENGINE OPERATING PANEL ASSY.

<u>NO.</u>	<u>PART NO.</u>	<u>ITEM</u>	<u>QTY</u>	<u>REMARKS</u>
34	020108060	HEX. NUT	2	REPLACES 0030008000
35	3331860803	SET BOARD, OUTPUT TERMINAL	1	
36	0801830104A	OUTPUT TERMINAL	4	REPLACES 0801830104
37	0801830604	HEX. HEAD BOLT	4	
38	0041408000	PLAIN WASHER	16	
39	0040008000	LOCK WASHER	12	
40	0039308000	HEX. NUT	8	
42	952404470	PLAIN WASHER	4	REPLACES 0041606000
43	0040006000	LOCK WASHER	4	
44	0010006030	HEX. HEAD BOLT	4	
45	0601811030	RECEPTACLE, 5-20R	1	125V 20Ax2
46	0601811031	RECEPTACLE, L5-30R	1	125V 30A
47	0601811032	RECEPTACLE, L6-20R	1	250V 20A
48	0601811037	RECEPTACLE, CS8269	1	250V 50A
49	0027103010	MACHINE SCREW	8	
50	0041603000	PLAIN WASHER	8	
51	0207003000	HEX. NUT	8	REPLACES 0030003000
52	0601804887	CIRCUIT BREAKER	2	KM51 265V 20A; REPLACES 0601805313
53	0601805315	CIRCUIT BREAKER	2	KM51 265V 30A
54	7451816004	BRACKET, CIRCUIT BREAKER	1	
55	0027106016	MACHINE SCREW	2	
56	3331867503	COVER, OUTPUT TERMINAL	1	UP TO S/N3311929; REPLACES 3331866503
	3331866513	COVER, OUTPUT TERMINAL	1	S/N3311930~
57	0805012304	HEX.HEAD BOLT	2	
58	031112230	PLAIN WASHER	4	REPLACES 0041612000
59	0805009804	RUBBER WASHER	2	
60	0030012000	HEX. NUT	2	
61	0605010505	SNAP PIN	2	
62	0601802132	FUSE, 10A	1	
63	0601820015	RECTIFIER	4	1S2762
64	3331867503	COVER, OUTPUT TERMINAL	1	S/N3312316~
65	3331855503A	HINGE	1	S/N3312316~
66	3331855703	HINGE	1	S/N3312316~
67	0021304015	MACHINE SCREW	4	S/N3312316~
68	0040004000	LOCK WASHER	4	S/N3312316~
69	031104080	PLAIN WASHER	8	S/N3312316~; REPLACES 0041204000
70	OEMAA8	HEX. NUT	4	S/N3312316~; REPLACES 0030104000

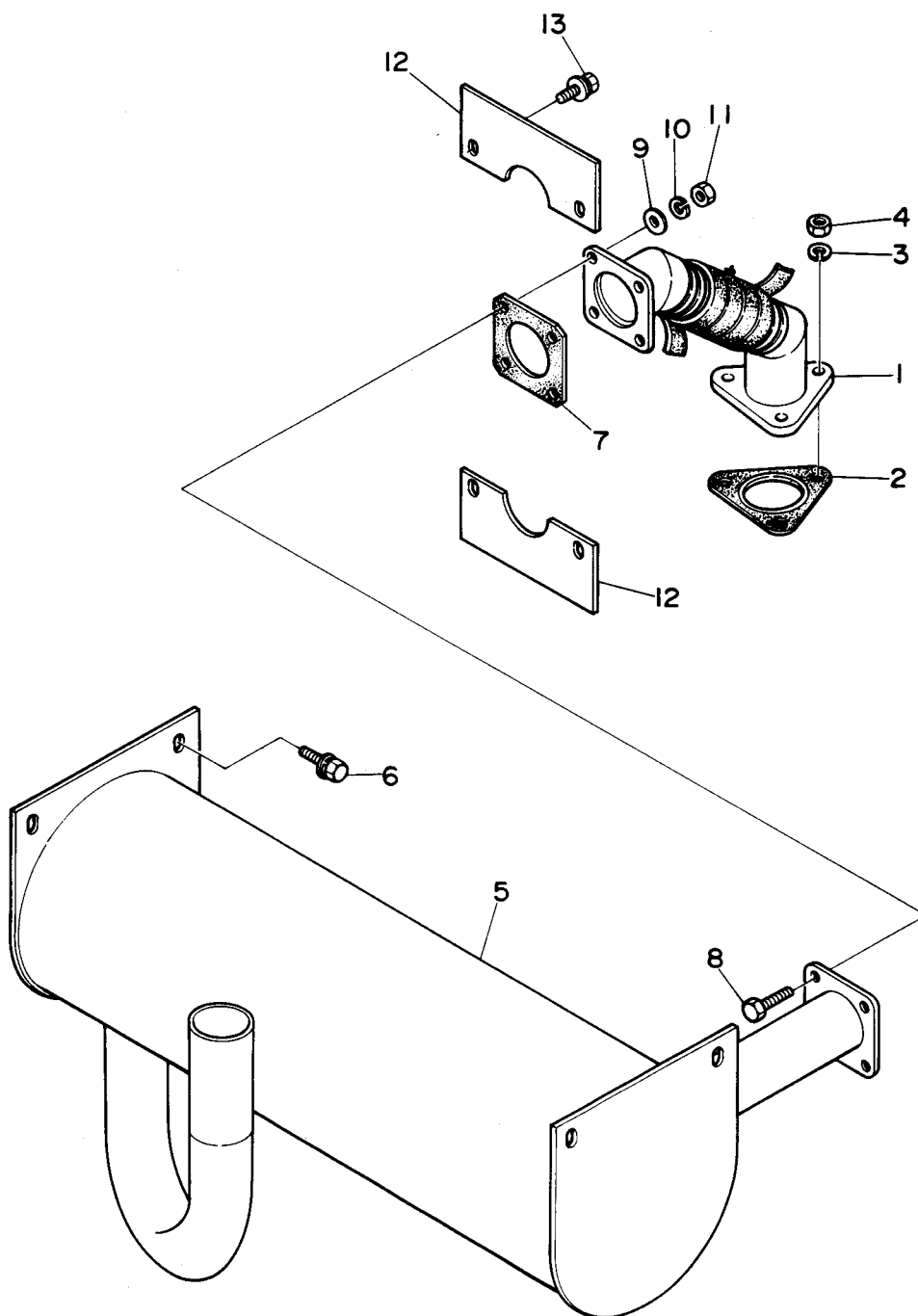
BATTERY ASSY.



BATTERY ASSY.

<u>NO.</u>	<u>PART NO.</u>	<u>ITEM</u>	<u>QTY.</u>	<u>REMARKS</u>
1	0160012070	BATTERY	1	N70 12V 70Ah
2	3312251004	BATTERY SHEET	1	
3	3332250004	BATTERY BAND	1	
4	0805002404	BATTERY BOLT	2	
5	031108160	PLAIN WASHER	2	REPLACES 0041608000
6	0040008000	LOCK WASHER	2	
7	0037808000	WING NUT	2	
8	0215260160	BATTERY CABLE	1	
9	0215860110	BATTERY CABLE	1	
10	0602220310	TERMINAL ASSY. (+)	1	NO. 9N
	0037808000	WING NUT	1	REPLACES 0208008000
11	0602220311	TERMINAL ASSY. (-)	1	NO. 9N
	0037808000	WING NUT	1	REPLACES 0208008000

MUFFLER ASSY.



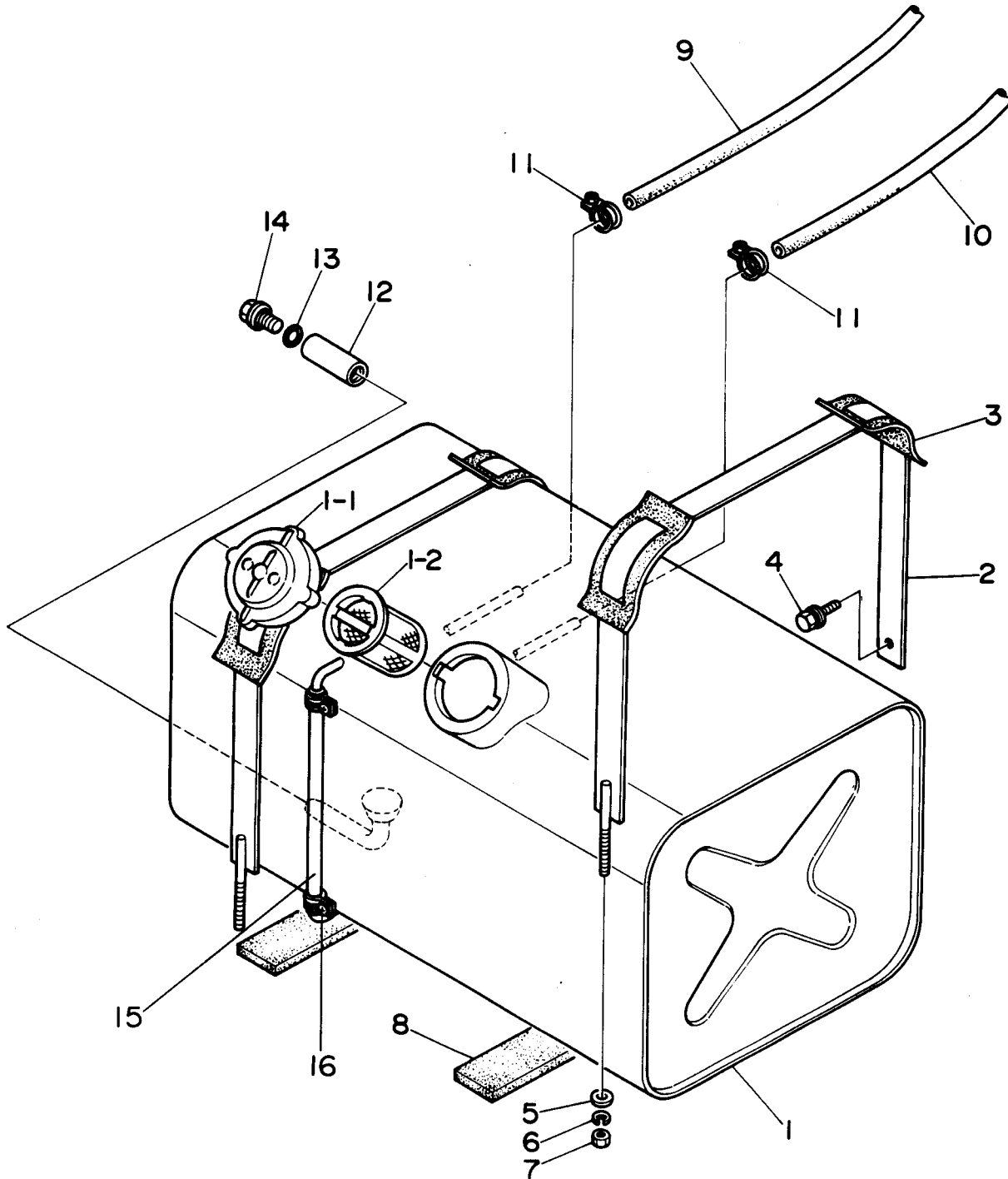
DCA-25SSAI --- MUFFLER ASSY.

MUFFLER ASSY.

<u>NO.</u>	<u>PART NO.</u>	<u>ITEM</u>	<u>QTY.</u>	<u>REMARKS</u>
1	3332350503	EXHAUST PIPE	1	
2	9141450760	GASKET	1	REPLACES 0602320001
3	0040010000	LOCK WASHER	3	
4	9098400850	HEX. NUT	3	REPLACES 0602323001
5	7342311002A	MUFFLER	1	
6	01008020	HEX.HEAD BOLT	4	REPLACES 0017108020
7	7342356004	GASKET	1	
8	011008035	HEX. HEAD BOLT	4	REPLACES 0010108035
9	031108160	PLAIN WASHER	4	REPLACES 0041608000
10	0040008000	LOCK WASHER	4	
11	020108060	HEX. NUT	4	REPLACES 0030008000
12	7342354004	COVER	2	
13	011008020	HEX. HEAD BOLT	4	REPLACES 0017108020

DCA-25SSAI --- FUEL TANK ASSY.

FUEL TANK ASSY.



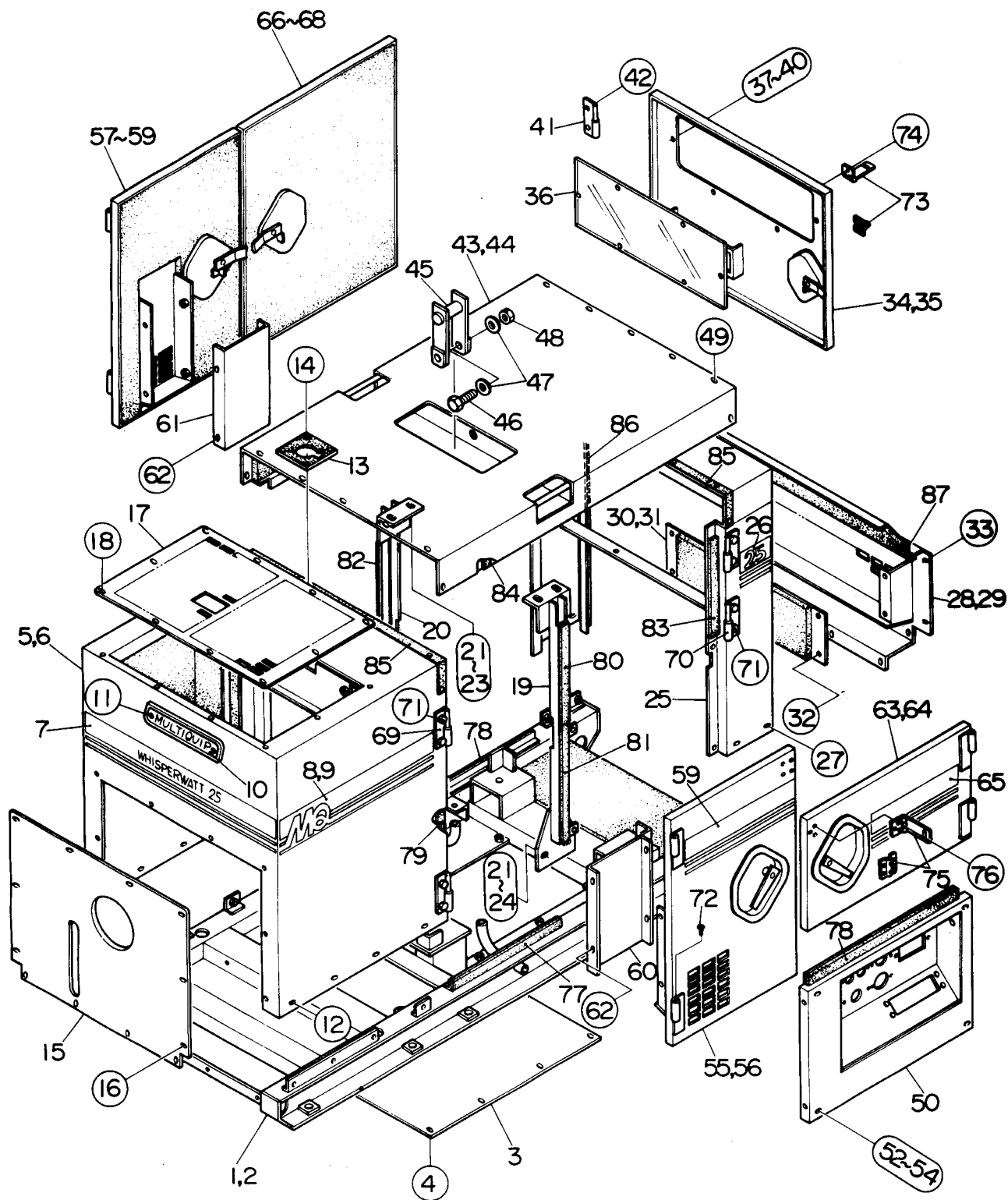
DCA-25SSAI --- FUEL TANK ASSY.

FUEL TANK ASSY.

<u>NO.</u>	<u>PART NO.</u>	<u>ITEM</u>	<u>QTY.</u>	<u>REMARKS</u>
1	3335510413	FUEL TANK	1	
1-1	0810105004	CAP, FUEL TANK	1	
1-2	0810105400	FUEL FILTER	1	
2	3335523104	TANK BAND	2	
3	0805003404	PAD, TANK BAND	4	
4	011008020	HEX. HEAD BOLT	2	REPLACES 0017108020
5	031108160	PLAIN WASHER	2	REPLACES 0041608000
6	0040008000	LOCK WASHER	2	
7	020108060	HEX. NUT	2	REPLACES 0030008000
8	3805522004	TANK SHEET	2	
9	0191300620	SUCTION HOSE	1	
10	0191300970	RETURN HOSE	1	
11	0605515014	HOSE BAND	4	
12	0845032204	DRAIN JOINT	1	
13	0150000018	O RING	1	REPLACES 0150000018
14	0802011104	PLUG	1	
15	0193100255	FUEL GAUGE HOSE	1	
16	0605515079	HOSE BAND	2	

DCA-25SSAI --- ENCLOSURE ASSY.

ENCLOSURE ASSY.

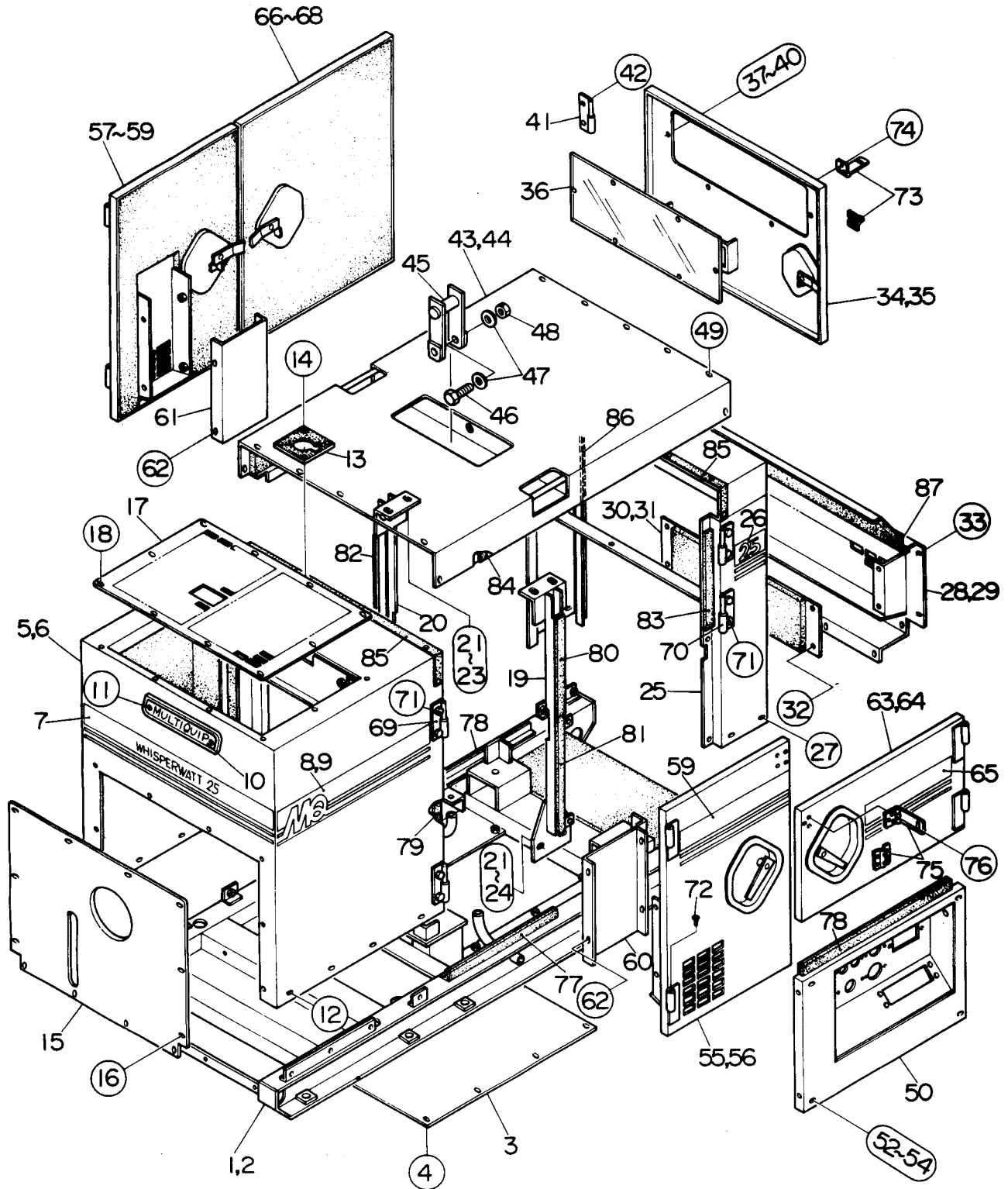


ENCLOSURE ASSY.

<u>NO.</u>	<u>PART NO.</u>	<u>ITEM</u>	<u>QTY.</u>	<u>REMARKS</u>
1	3335110102	BASE	1	
2	3335109104	LINING	1	
3	3335116014	FLOOR PANEL	1	
4	011008020	HEX. HEAD BOLT	8	REPLACES 0017108020
5	3335121904	FRONT FRAME	1	
6	3335109203	LINING	1	
7	3330630103	STRIPE	1	
8	3330630303	STRIPE	1	LT. SIDE
9	B1561100603	STRIPE	1	RT. SIDE; REPLACES 3330630503
10	0600500090	EMBLEM	1	REPLACES 6360510003
11	0021106020	MACHINE SCREW	2	
12	011008020	HEX. HEAD BOLT	8	REPLACES 0017108020
13	3335162804	RUBBER SEAL	1	
14	011206020	HEX. HEAD BOLT	4	REPLACES 0017106020
15	7345125104	COVER, FRONT FRAME	1	
16	011008020	HEX. HEAD BOLT	12	REPLACES 0017108020
17	3335125224	COVER, FRONT FRAME	1	
18	011008020	HEX. HEAD BOLT	10	REPLACES 0017108020
19	3335131503	CENTER FRAME	1	
20	7345131103	CENTER FRAME	1	
21	012214035	HEX. HEAD BOLT	8	REPLACES 0010014035
22	0041614000	PLAIN WASHER	16	
23	030214350	LOCK WASHER	8	REPLACES 0040014000
24	020114110	HEX. NUT	4	REPLACES 0030014000
25	3335140102	REAR FRAME	1	UP TO S/N3311929
	3335140112	REAR FRAME	1	S/N3311930~
26	3330630704	STRIPE	2	
27	011008020	HEX. HEAD BOLT	4	REPLACES 0017108020
28	7345181013	COVER, REAR FRAME	1	
29	335109304	LINING	1	
30	7345181704	GUIDE PANEL, AIR	1	
31	3335109404	LINING	1	
32	011008020	HEX. HEAD BOLT	4	REPLACES 0017108020
33	011008020	HEX. HEAD BOLT	8	REPLACES 0017108020
34	3335142203	DOOR, REAR FRAME	1	UP TO S/N3311929
	3335142213	DOOR, REAR FRAME	1	S/N3311930~
35	0840625902	STICKER	1	REPLACES 1320632003
36	7345147004	WINDOW PLATE	1	
37	0021006020	MACHINE SCREW	6	
38	952404470	PLAIN WASHER	6	REPLACES 0041606000
39	0040006000	LOCK WASHER	6	
40	020106050	HEX. NUT	6	REPLACES 0030006000
41	0845028303	HINGE	2	
42	011208025	HEX.HEAD BOLT	4	REPLACES 0017108025
43	3335161902	ROOF PANEL	1	

DCA-25SSAI --- ENCLOSURE ASSY.

ENCLOSURE ASSY.

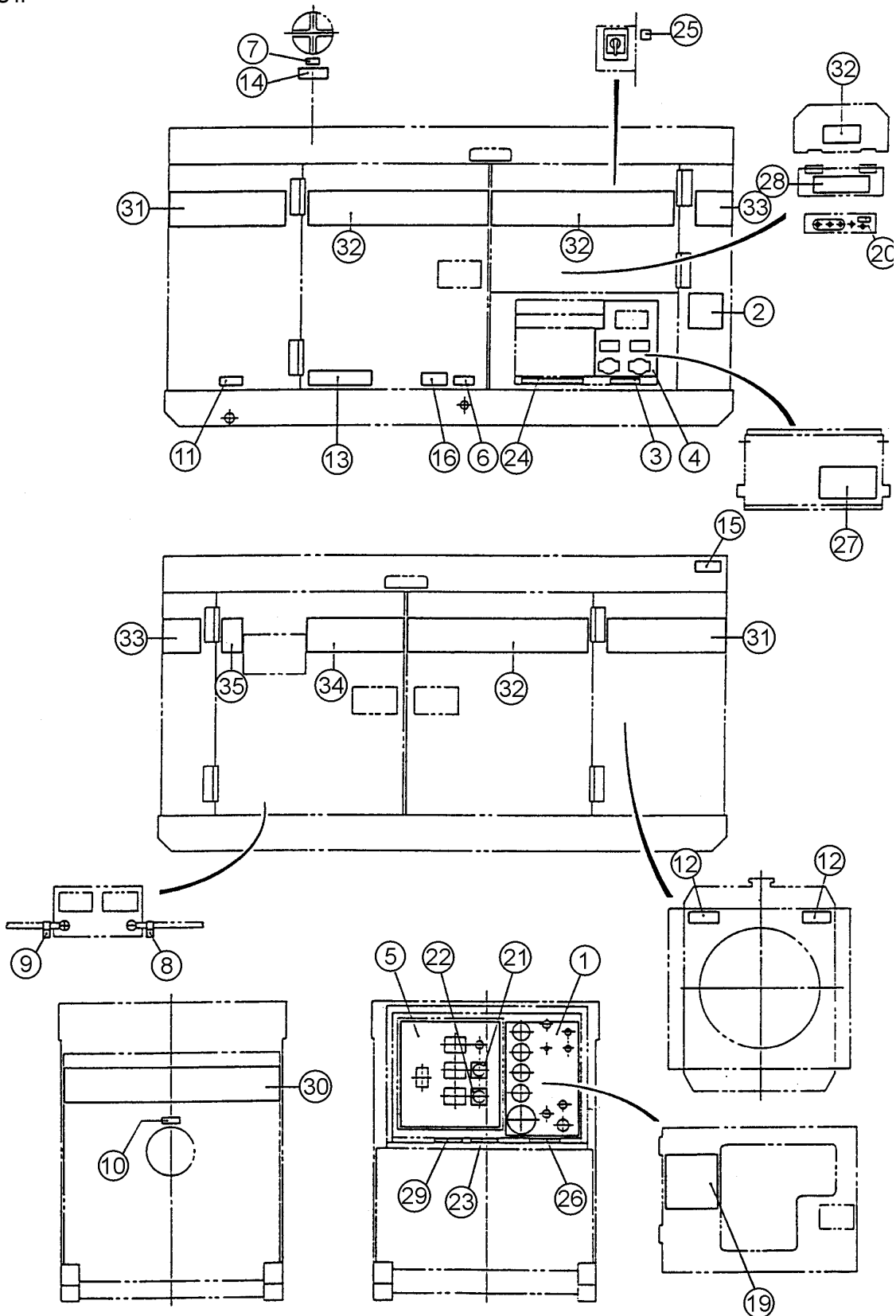


DCA-25SSAI --- ENCLOSURE ASSY.

ENCLOSURE ASSY.

<u>NO.</u>	<u>PART NO.</u>	<u>ITEM</u>	<u>QTY.</u>	<u>REMARKS</u>
44	3335109503	LINING	1	
45	3335132204	HANGER	1	
46	0010020070	HEX. HEAD BOLT	2	
47	0401450200	PLAIN WASHER	4	REPLACES 0041620000
48	0030020000	HEX. NUT	2	
49	011008020	HEX. HEAD BOLT	14	REPLACES 0017108020
50	3335181902	SPLASHER PANEL	1	UP TO S/N3311929
	3335181912	SPLASHER PANEL	1	S/N3311930~
52	0010008055	HEX. HEAD BOLT	4	
53	0040008000	LOCK WASHER	4	
54	031108160	PLAIN WASHER	4	REPLACES 0041608000
55	3335124203	SIDE DOOR, LEFT SIDE	1	UP TO S/N3311929
	3335124213	SIDE DOOR, LEFT SIDE	1	S/N3311930~
56	3335109604	LINING	1	
57	3335124303	SIDE DOOR, RIGHT SIDE	1	UP TO S/N3311929
	3335124313	SIDE DOOR, RIGHT SIDE	1	S/N3311930~
58	3335109704	LINING	1	
59	B1561100804	STRIPE	2	REPLACES 3330630904
60	3335175004	GUIDE PANEL, AIR	1	
61	7345175104	GUIDE PANEL, AIR	1	
62	011008020	HEX. HEAD BOLT	8	REPLACES 0017108020
63	3335124003	SIDE DOOR, LEFT SIDE	1	UP TO S/N3311929
	3335124013	SIDE DOOR, LEFT SIDE	1	S/N3311930~
64	3335109804	LINING	1	
65	B1561100804	STRIPE	1	REPLACES 3330631304
66	3335124103	SIDE DOOR, RIGHT SIDE	1	UP TO S/N3311929
	3335124113	SIDE DOOR, RIGHT SIDE	1	S/N3311930~
67	3335109904	LINING	1	
68	B1561100903	STRIPE	1	REPLACES 3330631104
69	0845028203	HINGE	4	
70	0845028303	HINGE	4	
71	011208025	HEX. HEAD BOLT	16	REPLACES 0017108025
72	0845031504	CAP	10	
73	0605010910	LATCH	1	UP TO S/N3311929
74	0027103010	MACHINE SCREW	7	UP TO S/N3311929
75	0605010911	LATCH	2	UP TO S/N3311929
76	0027104010	MACHINE SCREW	14	UP TO S/N3311929
77	3335104104	RUBBER SEAL	2	
78	3335104204	RUBBER SEAL	2	
79	3335104304	RUBBER SEAL	3	
80	3335104404	RUBBER SEAL	1	
81	3335104504	RUBBER SEAL	1	
82	3335104604	RUBBER SEAL	1	
83	3335104704	RUBBER SEAL	1	
84	3335104804	RUBBER SEAL	2	
85	3335104904	RUBBER SEAL	2	
86	3335103004	RUBBER SEAL	2	
87	3335103104	RUBBER SEAL	2	

DECAL ASSY.

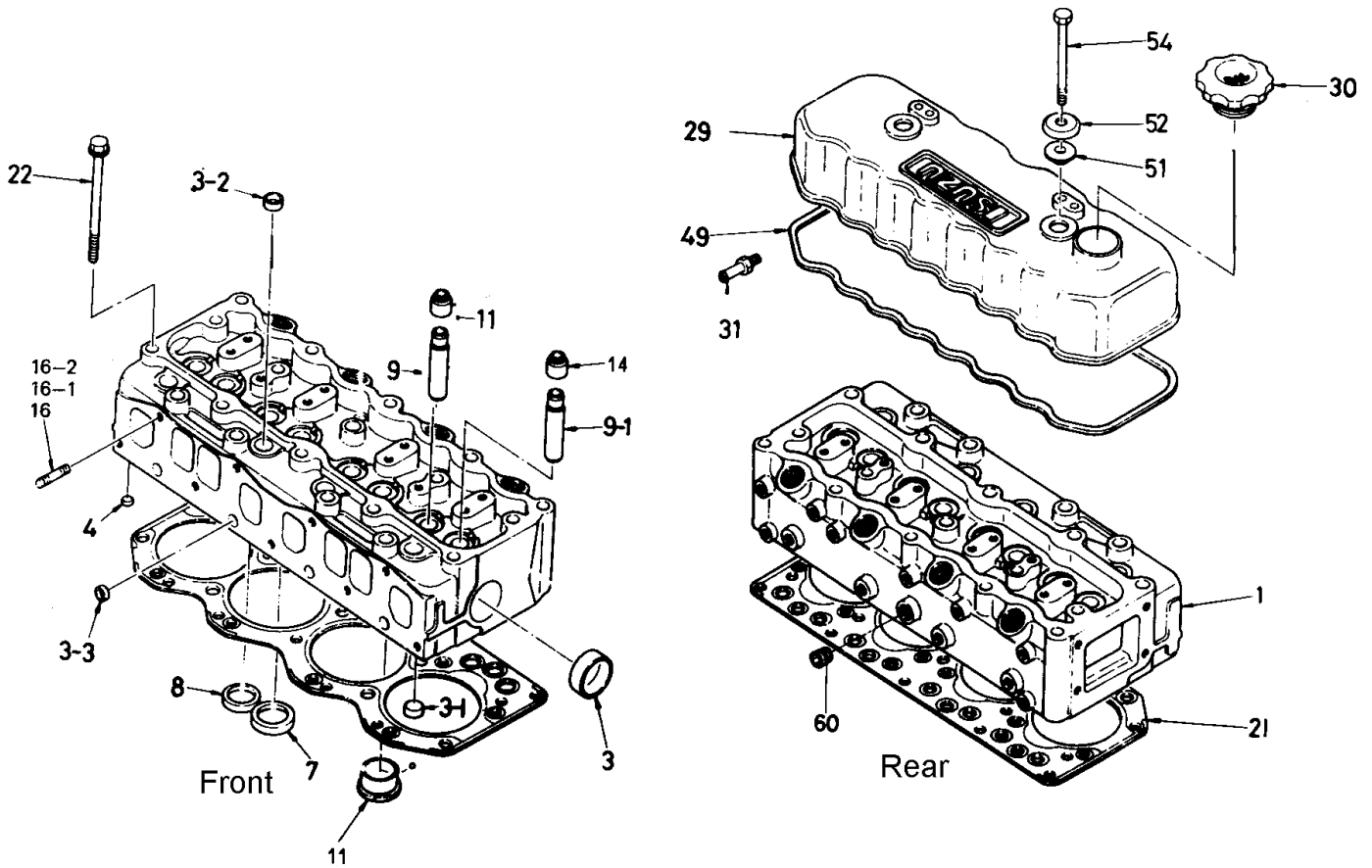


DECAL ASSY.

<u>NO.</u>	<u>PART NO.</u>	<u>ITEM</u>	<u>QTY.</u>	<u>REMARKS</u>
1	M155000003	DECAL; ENGINE OPERATING	1	M15000000
2	M1550000104	DECAL; NOTE	1	M15000010
3	M1550000204	DECAL; NOTE	1	M15000020
4	M1550000303	DECAL; AUXILLARY OUTPUT	1	M15000030
5	M1550000403	DECAL; GENERATOR CONTROL	1	M15000040
6	M9500000004	DECAL; OIL DRAIN PLUG	1	M90000000
7	M9500100004	DECAL; WATER	1	M90010000
8	M9500300004	DECAL; -	1	M90030000
9	M9500300104	DECAL; +	1	M90030010
10	M9500500004	DECAL; DIESEL FUEL	1	M90050000
11	M9500500104	DECAL; FUEL DRAIN PLUG	1	M90050010
12	M9503000004	DECAL; WARNING	2	M90300000
13	M9503000103	DECAL; WATER, OIL CHECK	1	M90300000
14	M9503100004	DECAL; WARNING	1	M90310000
15	M9503200004	DECAL; WARNING	1	M90320000
16	M9510100004	DECAL; CAUTION	1	M91010000
17	M9520100503	DECAL; WARNING	1	REPLACES M9510100104
18	M9520100503	DECAL; WARNING	1	REPLACES M9510100204
19	M9510200002	DECAL; MQ	1	M91020000
20	M9520000004	DECAL; GROUND	1	M92000000
21	M9520000104	DECAL; AMMETER CHANGE OVER SWITCH	1	M92000010
22	M9520000204	DECAL; VOLTMETER CHANGE OVER SWITCH ..	1	M92000020
23	M9520100004	DECAL; WARNING	2	M92010000
24	M9520100503	DECAL; WARNING	1	REPLACES M9520100104
	M9520100503	DECAL; WARNING	1	M92010050 M9100601~
25	M9520100204	DECAL; CAUTION	1	M92010020A
26	M9520100304	DECAL; SAFETY INSTRUCTIONS	1	M92010030
27	M9520100404	DECAL; DANGER	1	M92010040
28	M9520200003	DECAL; CONNECTION OF OUTPUT CABLE	1	M92020000
29	M9520200104	DECAL; OVER CURRENT RELAY	1	M92020010
30	M1560100403	STRIPE;WHISPERWATT	1	
31	M1560100303	STRIPE;MQ POWER	2	
32	M1560100004	STRIPE;	3	
33	M1560100504	STRIPE; 25	2	
34	M1560100104	STRIPE	1	
35	M1560100204	STRIPE	1	

ISUZU C240 --- CYLINDER HEAD AND COVER ASSY.

CYLINDER HEAD AND COVER ASSY.



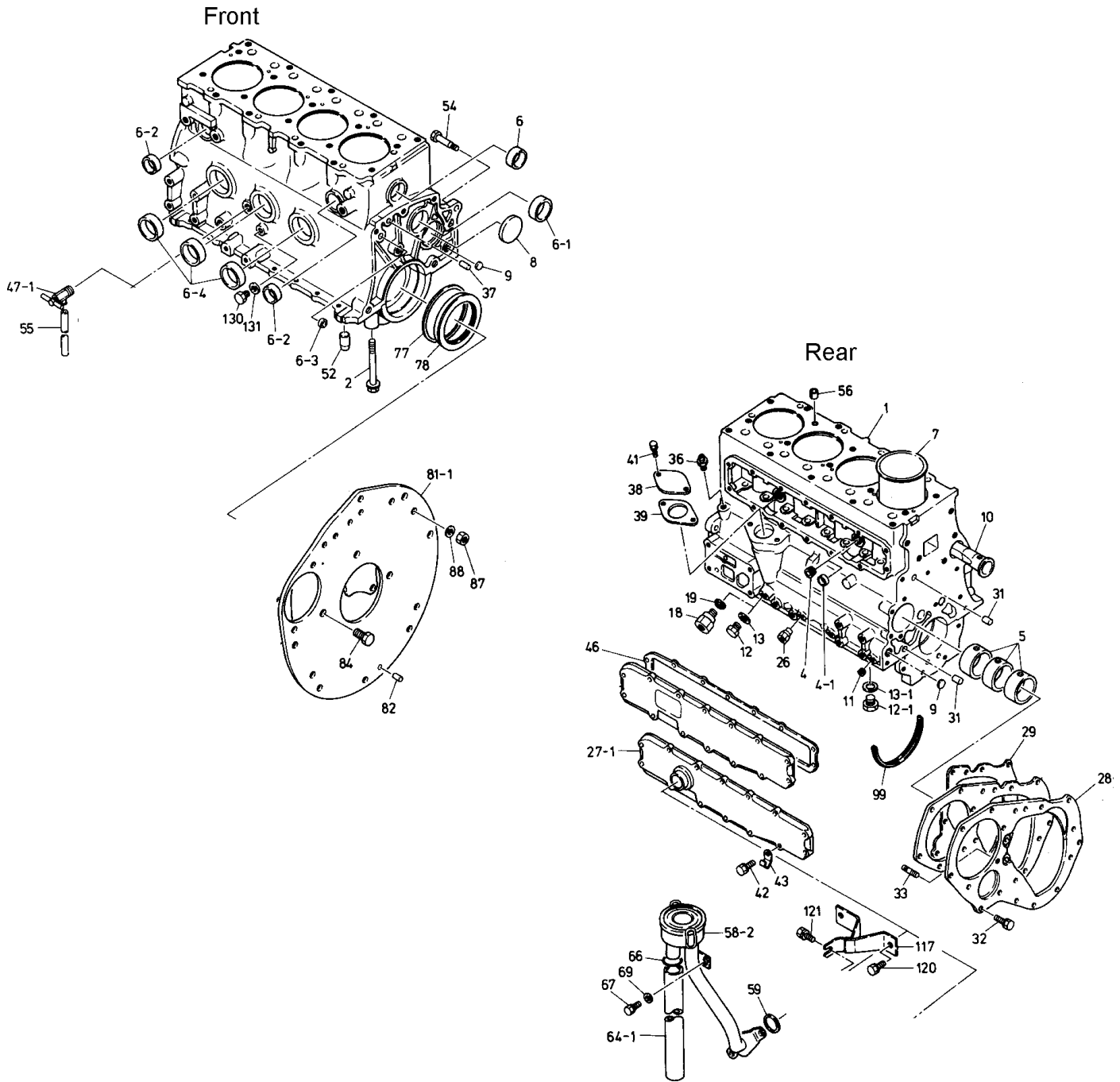
ISUZU C240 --- CYLINDER HEAD AND COVER ASSY.

CYLINDER HEAD AND COVER ASSY.

<u>NO.</u>	<u>PART NO.</u>	<u>ITEM</u>	<u>QTY.</u>	<u>REMARKS</u>
1	5111102070	CYLINDER HEAD ASSY.	1	
3	1096000051	SEALING CUP, RR FACE D=44	1	
3-1	5111290060	SEALING CUP, LOWER D=16	4	
3-2	5112190080	SEALING CUP, UPPER D=18	5	
3-3	5096000130	SEALING CUP, DRILLED D=12	4	
4	9098605220	PLUG; LOWER CYLINDER HEAD PLATE	4	
7	5117150230	VALVE SEAT INLET INSERT	4	
8	5117110260	VALVE SEAT EXHAUST INSERT	4	
9	5117210160	VALVE INLET HEAD GUIDE	4	
9-1	5117210160	VALVE EXHAUST HEAD GUIDE	4	
11	5111501080	HOT PLUG ASSY.	4	
14	5125690060	INLET AND EXHAUST VALVE SEAL	8	
16	9041108350	MANIFOLD STUD	3	
16-1	9041108400	MANIFOLD STUD	3	
16-2	9041108450	MANIFOLD STUD	1	
21	5111410690	CYLINDER HEAD GASKET	1	
22	5090090530	BOLT	19	
29	5111702400	CYLINDER HEAD COVER ASSY.	1	
30	9117510381	OIL FILLER CAP	1	
31	5111790520	BREATHER NIPPLE	1	
49	5111730170	HEAD COVER PACKING	1	
51	9111798080	HEAD COVER FIX. PACKING	2	
52	9111791320	WAHER	2	
54	5090000960	BOLT	2	
60	5096050050	CYLINDER HEAD OIL COOLER PLUG	1	

ISUZU C240 --- CYLINDER BLOCK ASSY.

CYLINDER BLOCK ASSY.



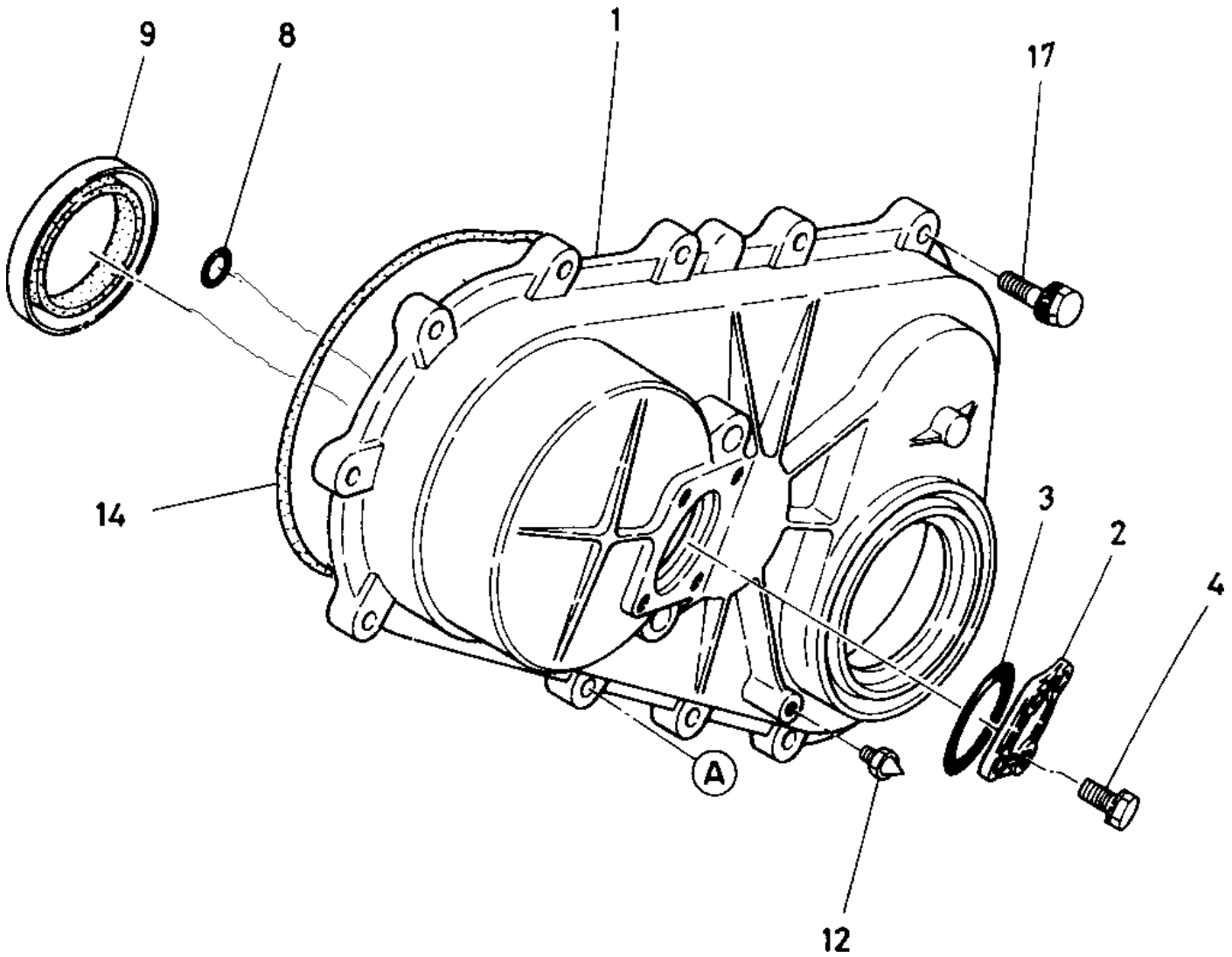
ISUZU C240 --- CYLINDER BLOCK ASSY.

CYLINDER BLOCK ASSY.

<u>NO.</u>	<u>PART NO.</u>	<u>ITEM</u>	<u>QTY.</u>	<u>REMARKS</u>
1	5112101771	CYLINDER BLOCK ASSY.	1	
2	9098025910	BOLT	10	
4	9096640340	PLUG; 1/2 TAPPET CHAMBER	2	
4-1	5112190080	SEALING CUP CHAMBER D=18	2	
5	5116100010	BEARING KIT; CAM. STANDARD	1	
6	5112190180	SEALING CUP RR FACE D=36	1	
6-1	5112190170	SEALING CUP RR FACE D=38	1	
6-2	5112190150	SEALING CUP LH SIDE D=32	2	
6-3	5096000130	SEALING CUP RR FACE D=12	1	
6-4	1096000051	SEALING CUP LH SIDE D=45	3	
7	9112612300	CYLINDER LINER	4	
8	8942505140	PLUG; CAMSHAFT BRIDGE PLATE	1	
9	5111290060	PLUG; OIL GALLERY PLATE	2	
10	5112210020	DUCT; CYL. BLOCK WATER	1	
11-1	5096050161	PLUG; OIL GALLERY 1/8	1	
12-1	9992023160	PLUG; OIL GALLERY SCREW	1	
13-1	9095714160	PLUG PACKING	1	
26	5096500210	INJ. PUMP OIL FEED NIPPLE	1	
27-1	9112976500	TAPPET CHAMBER COVER ASSY.	1	
28	9113111530	FRONT CYL. BLOCK PLATE	1	
29	5113120110	FRONT PLATE PACKING	1	
31	9081510240	FRONT PLATE STRAIGHT PIN	2	
32	9019008220	BOLT	3	
36	9099022990	ROCKER OIL FEED NIPPLE	1	
37	9081610320	REAR PLATE STRAIGHT PIN	1	
42-1	9019008180	BOLT	12	
42-2	9019008220	BOLT	2	
43	9099168160	TAPPET CHAMBER COVER CLIP	2	
46	5112920110	CHAMBER COVER PACKING.....	1	REPLACES 5112920150
47-1	9097040380	WATER DRAIN COCK	1	
52	9098785970	CRANK CASE PIN	2	
54-2	8942008311	BOLT	1	
55	9099138340	PIPE; VINYL WATER DRAIN	1	
56	9112290490	CYLINDER BLOCK DOWEL	2	
58-2	5117400211	BREATHER AIR ASSY.	1	
59	9099210990	BREATHER PACKING	1	
64-1	9097130870	PIPE; VINYL BREATHER	1	
66	9099152380	CLIP	1	
67	9019008180	BOLT	1	
69	9091645080	WASHER	1	
77	9123631120	SPACER; OIL SEAL	1	
78	5096250360	CRANK SHAFT REAR SEAL	1	
81	9113411940	REAR CYLINDER BLOCK PLATE	1	
84	5090002270	BOLT	3	
99	9112581080	OIL PAN BRIDGE CAP PACKING	2	
117	5117490340	BREATHER HEAD PACKING	1	
120	9019008180	BOLT	2	
121	9019608180	BOLT	1	
130	9092023080	PLUG; OIL GALLERY SCREW	1	
131	9095714080	SCREW PLUG PACKING	1	

ISUZU C240 ---TIMING GEAR ASSY.

TIMING GEAR ASSY.



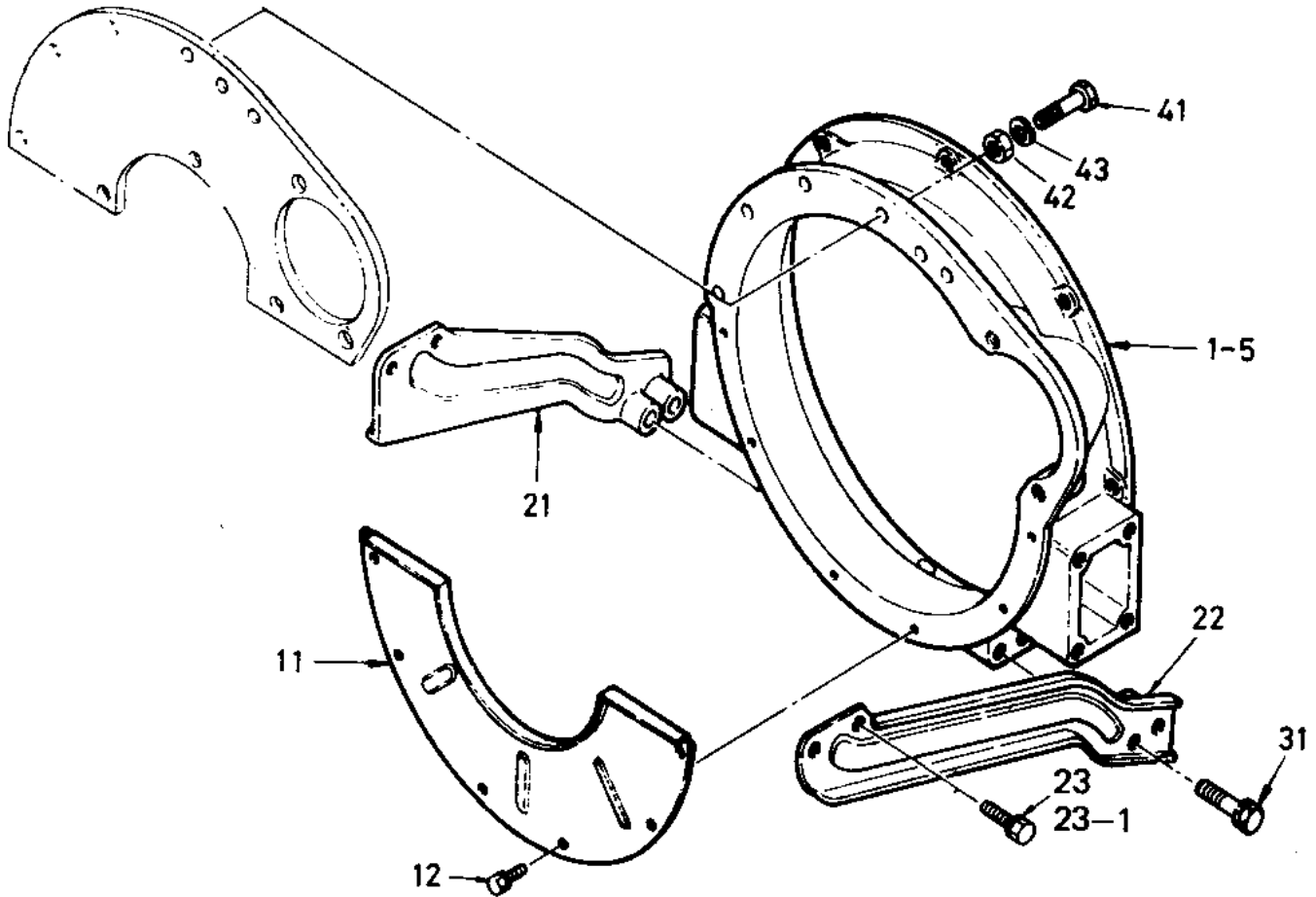
ISUZU C240 --- TIMING GEAR ASSY.

TIMING GEAR ASSY.

<u>NO.</u>	<u>PART NO.</u>	<u>ITEM</u>	<u>QTY.</u>	<u>REMARKS</u>
1	5113110282	TIMING GEAR CASE	1	
2	9113211480	GEAR CASE COVER	1	
3	9099206010	PACKING	1	
4	901906140	BOLT	4	
8	9113120460	PACKING	2	
9	5096250790	OIL SEAL	1	
12	9113270450	POINTER	1	
14	9113120340	PACKING	1	
17	9019108320	BOLT	9	

ISUZU C240 FLYWHEEL HOUSING ASSY.

FLYWHEEL HOUSING ASSY.



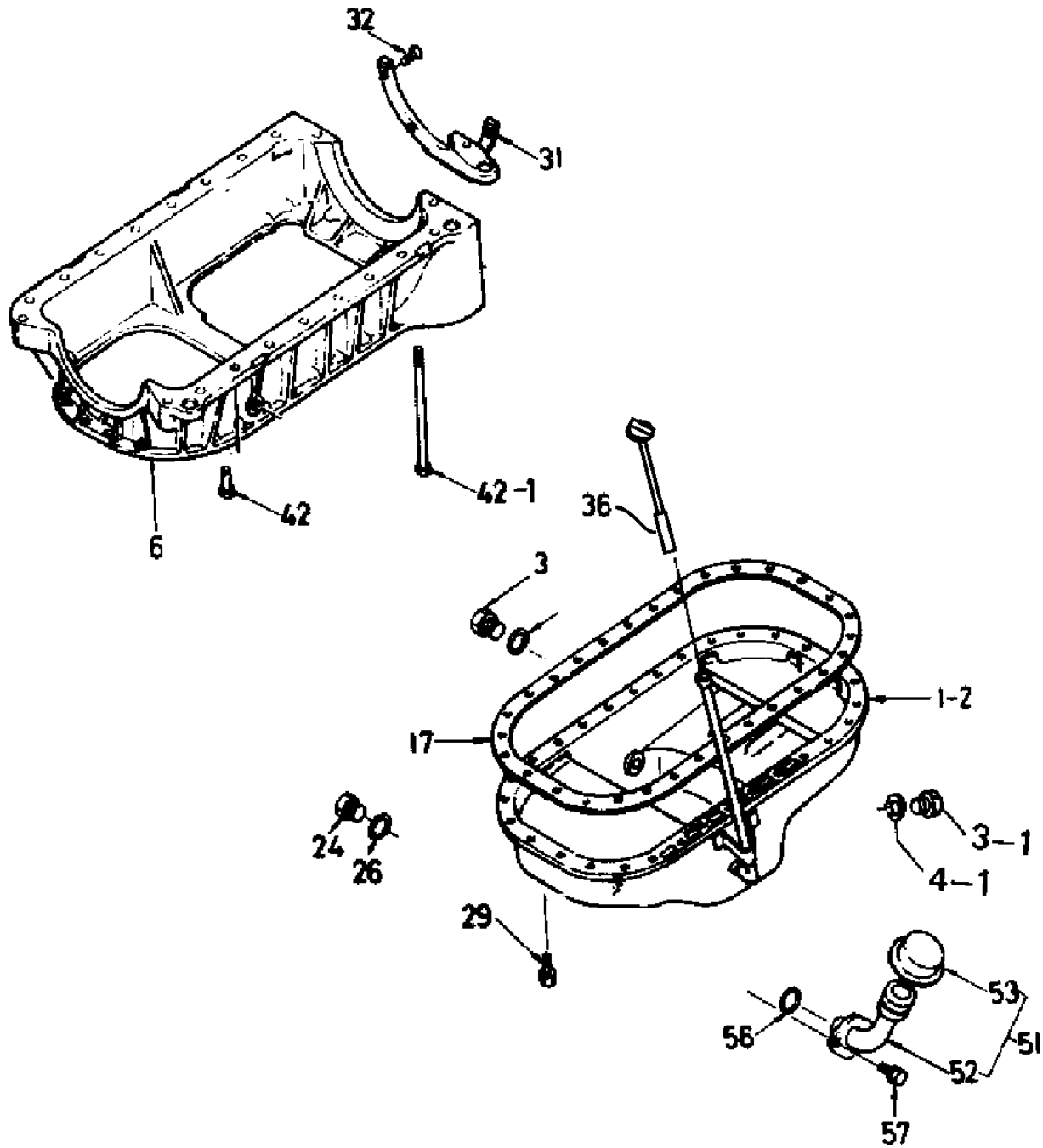
ISUZU C240 FLYWHEEL HOUSING ASSY.

FLYWHEEL HOUSING ASSY.

<u>NO.</u>	<u>PART NO.</u>	<u>ITEM</u>	<u>QTY.</u>	<u>REMARKS</u>
1-5	5113410191	FLYWHEEL HOUSING	1	
11	9113430391	COVER	1	
12	9019006120	BOLT	6	
21	5113490380	STIFFENER; RIGHT SIDE	1	
22	5113490370	STIFFENER; LEFT SIDE	1	
23	9019110200	BOLT	2	
23-1	9019110180	BOLT	2	
31	9019310450	BOLT	4	
41	9019110350	BOLT	3	
41	9010560400	BOLT	1	
42	9091104100	NUT	2	
46	9091505100	LOCKWASHER	2	

ISUZU C240 OIL PAN ASSY.

OIL PAN ASSY.



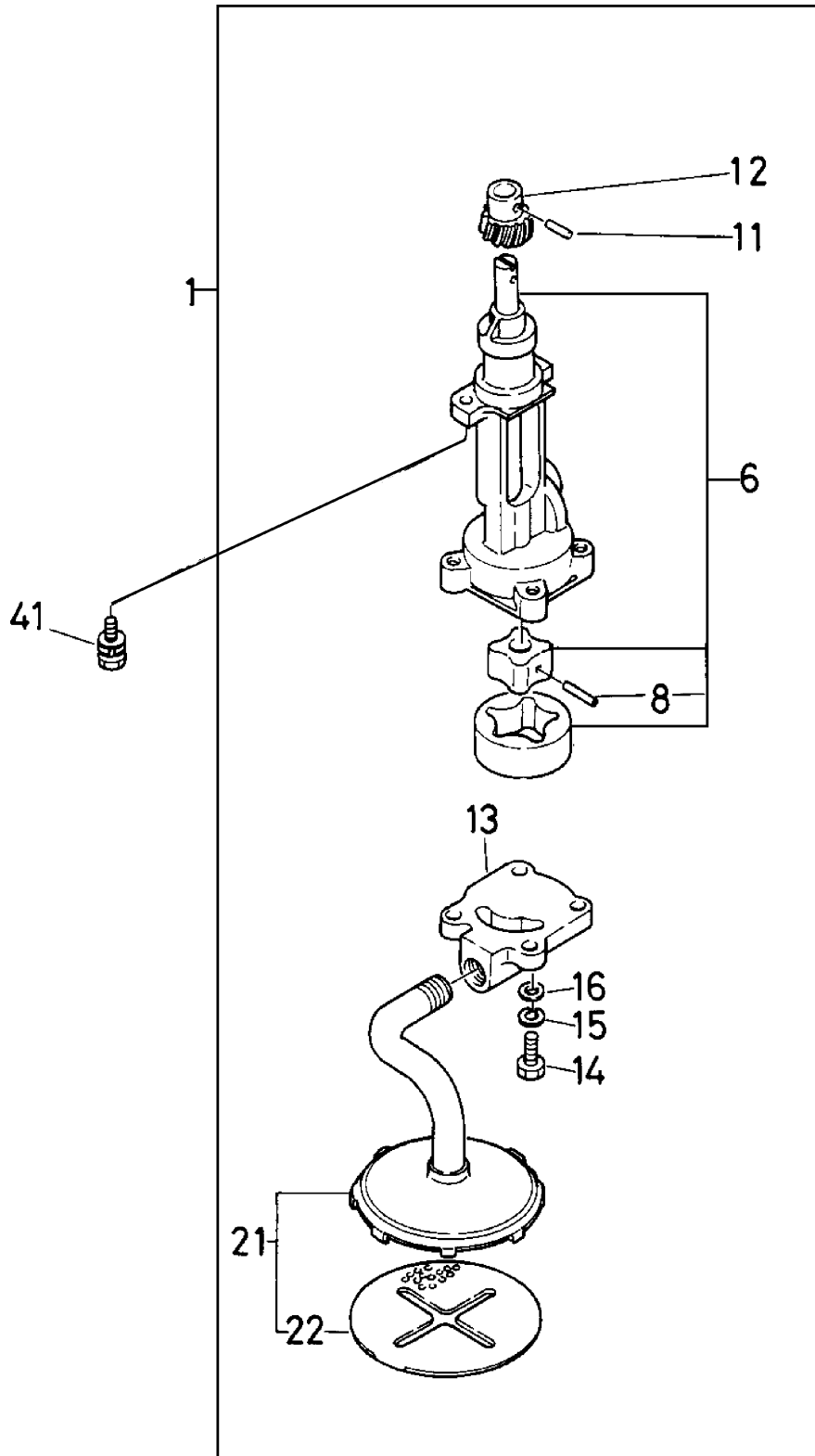
ISUZU C240 OIL PAN ASSY.

OIL PAN ASSY.

<u>NO.</u>	<u>PART NO.</u>	<u>ITEM</u>	<u>QTY.</u>	<u>REMARKS</u>
1-2	5113601832	OIL PAN ASSY.....	1	INCL. ITEMS W/*
3*	5096050050	OIL DRAIN PLUG, 3/8	1	
3-1	9992023200	OIL DRAIN PLUG	1	
4-1*	9097205600	O RING PACKING	1	
6	9112150810	CRANK CASE	1	
17	5113670040	OIL CASE PACKING	1	
24	9992023160	OIL THERMO PLUG	1	
26	9095714160	PLUG PACKING	1	
29	9019106160	BOLT	30	
31	9112193160	DISTRIBUTION PLATE	1	
32	9030906160	SCREW	4	
36	9117606090	OIL LEVEL GAUGE	1	
42	9019008220	BOLT	16	
42-1	9019708450	BOLT	4	
51	5117400870	OIL FILLER ASSY.....	1	INCL. ITEMS W/#
52#	5117410100	OIL FILLER	1	
53#	5117500021	OIL FILLER CAP	1	
56	9099207080	PACKING	1	
57	9019008200	BOLT	2	

ISUZU C240 ---OIL PUMP ASSY.

OIL PUMP ASSY.



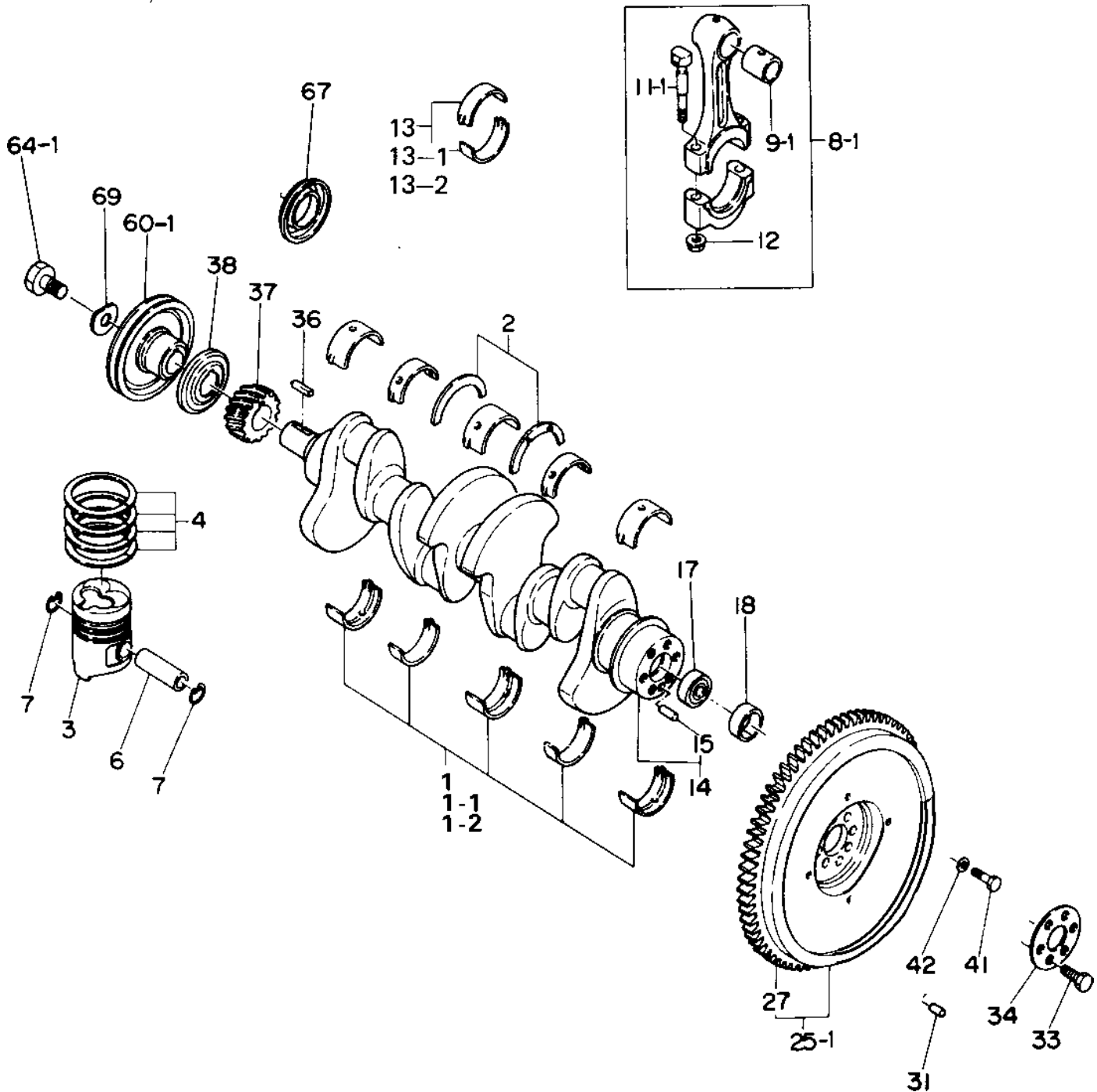
ISUZU C240 ---OIL PUMP ASSY.

OIL PUMP ASSY.

<u>NO.</u>	<u>PART NO.</u>	<u>ITEM</u>	<u>QTY.</u>	<u>REMARKS</u>
1	9131008010	OIL PUMP ASSY.	1 INCL. ITEMS W/*
6*	5131200040	ROTOR SET	1 INCL. ITEMS W/#
8*#	9131290170	PIN	1	
11*#	9098780840	PIN	1	
12*	9131280790	PINION	1	
13*	9131130771	COVER	1	
14*	9020408250	BOLT	4	
15*	9091505080	LOCKWASHER	4	
16*	9091505080	LOCKWASHER	4	
21*	9131401200	OIL STRAINER ASSY.	1 INCL. ITEM W/%
22*%	9131430100	OIL STRAINER GAUZE	1	
41	9019708250	BOLT	2	

ISUZU C240 --- CRANKSHAFT, BRIDGE AND FLYWHEEL ASSY.

CRANKSHAFT, BRIDGE AND FLYWHEEL ASSY.



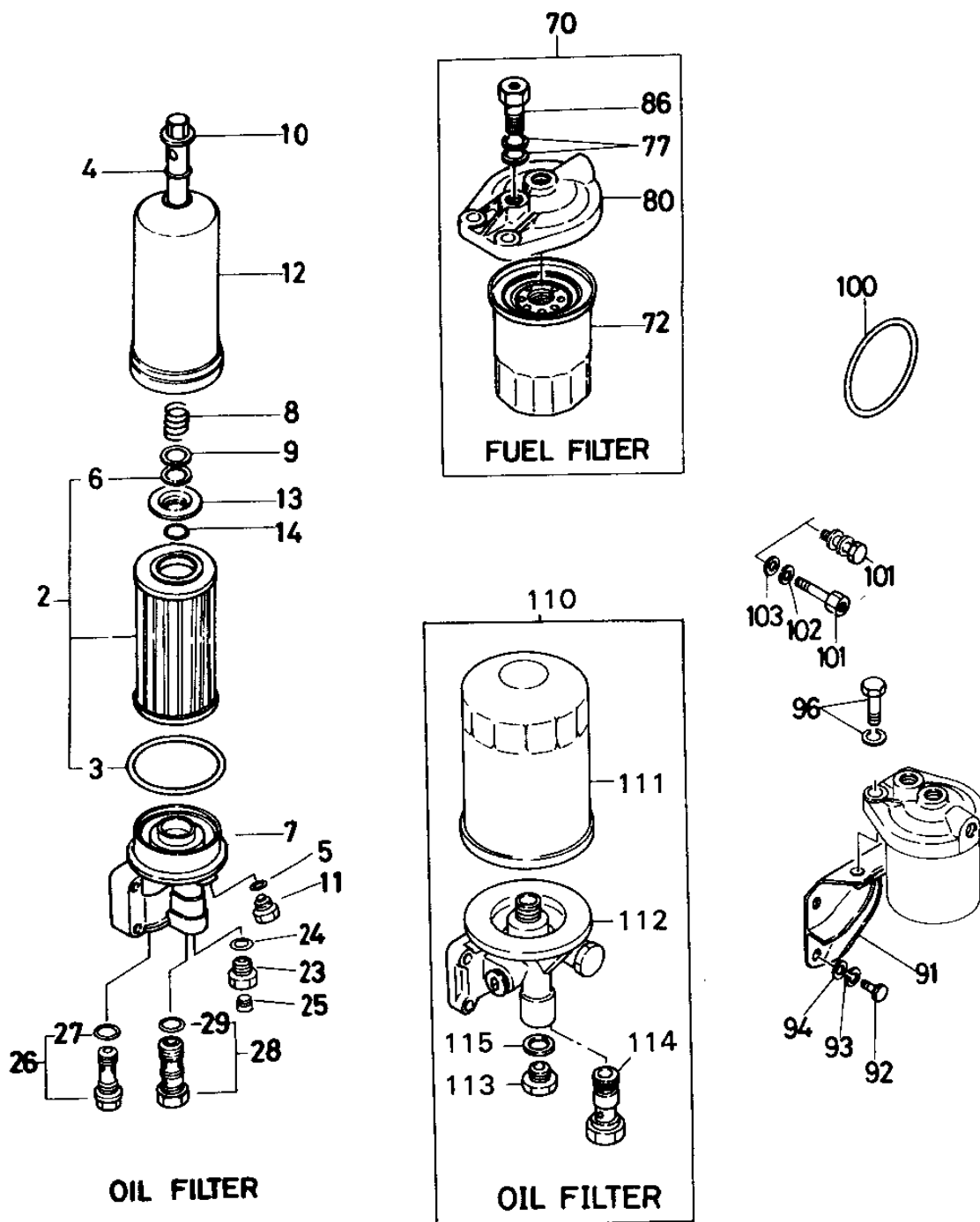
ISUZU C240 --- CRANKSHAFT, BRIDGE AND FLYWHEEL ASSY.

CRANKSHAFT, BRIDGE AND FLYWHEEL ASSY.

<u>NO.</u>	<u>PART NO.</u>	<u>ITEM</u>	<u>QTY</u>	<u>REMARKS</u>
1	5115100211	CRANK BEARING KIT;STD	1	
1-1	5115300211	CRANK BEARING KIT;-0.25	1	
1-2	5115400211	CRANK BEARING KIT;-0.50	1	
2	9115810570	THRUST BEARING	2	
3	5121112020	PISTON;STD	4	
4	5121210070	PISTON RING SET;STD	4	
6	5122110090	PISTON PIN	4	
7	5095870010	SNAP RING	8	
8-1	5122300390	CONNECTING ROD ASSY.	4	INCL. ITEMS W/@
9-1@	5122510050	SMALL END BUSHING	4	
11-1@	512350090	BOLT	8	
12@	5094090160	NUT	8	
13	8941422080	CONN. ROD BEARING SET;STD	4	REPLACES 5122710050
13-1	8941631740	BEARING SET;-0.25	4	
13-2	8941631750	BEARING SET;-0.50	4	
14	8941396690	CRANKSHAFT ASSY.	1	INCL. ITEM W/#
15#	9081612200	STRAIGHT PIN	1	
17	5098010010	RADIAL BALL BEARING	1	
25-1	5123301100	FLYWHEEL ASSY.	1	INCL. ITEM W/%
27%	9123330361	RING GEAR	1	Z=108
31	9098785320	STRAIGHT PIN	2	
33	5090001461	BOLT	6	
34	5123360100	WASHER	1	
36	9080307430	FEATHER KEY	1	
37	9125210420	CRANKSHAFT GEAR	1	Z=21
38	9123620390	THROWER	1	
60-1	9123736051	CRANKSHAFT PULLEY	1	
64-1	9098026060	BOLT	1	
67	9123736060	THROWER	1	
69	9123790160	WASHER	1	

ISUZU C240 --- OIL AND FUEL FILTER ASSY.

OIL AND FUEL FILTER ASSY.

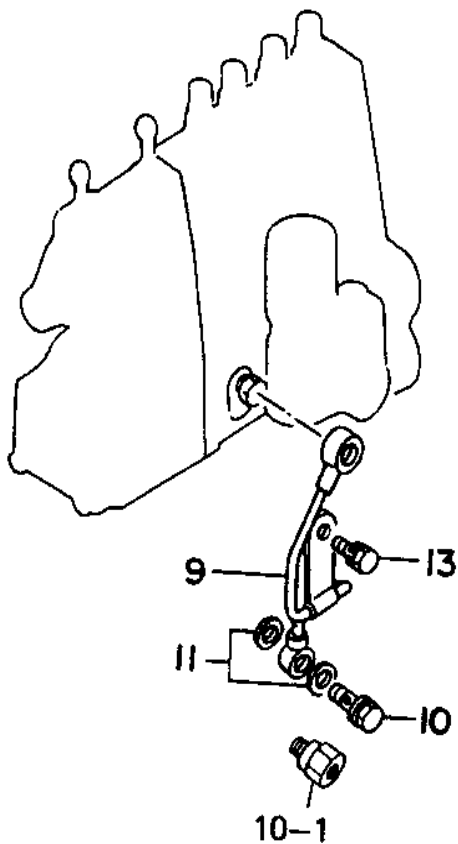
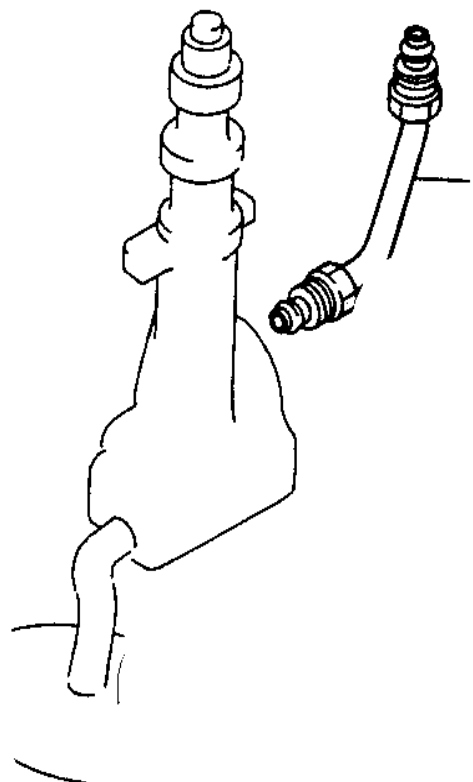
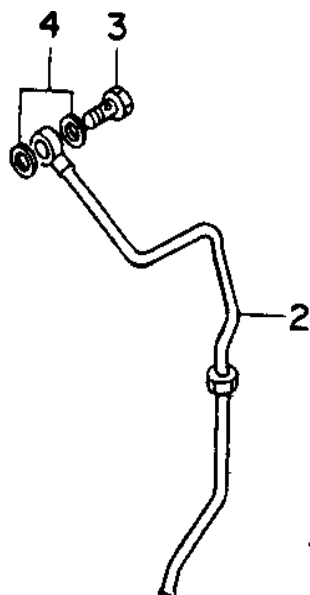


ISUZU C240 --- OIL AND FUEL FILTER ASSY.

OIL AND FUEL FILTER ASSY.

<u>NO.</u>	<u>PART NO.</u>	<u>ITEM</u>	<u>QTY.</u>	<u>REMARKS</u>
2	9885131071	OIL FILTER ELEMENT KIT	1	INCL. ITEMS W/*
3*	9132130350	O RING PACKING COVER	1	
4	9099211920	CENTER PIPE PACKING	1	
5-1	9099209780	DRAIN PIPE PACKING	1	
6*	9099221100	FELT RING	1	
7	9132121240	OIL FILTER COVER	1	
8	9099410540	COIL COMPRESSION SPRING	1	
9	9132390330	SPRING SEAT	1	
10	9132316030	CENTER PIPE	1	
11	9098621170	DRAIN PLUG	1	
12	9132110950	OIL FILTER BODY	1	
13	9132390320	ELEMENT HOLDER	1	
14	9099522170	SNAP RING	1	
23	9132260130	ADAPTER	1	
24	9099208410	PLUG PACKING	1	
25	9098640150	SCREW PLUG	1	
26	5132600080	SAFETY VALVE ASSY.	1	INCL. ITEM W/%
27%	1096231630	O RING PACKING	1	
28	5131600030	RELIEF VALVE ASSY.	1	INCL. ITEM W/#
29#	9099209750	RELIEF VALE PACKING	1	
70	8941434770	FUEL CART. FILTER ASSY.	1	INCL. ITEMS W/\$
72\$	8941434790	FUEL ELEMENT	1	
77\$	9095720140	OVERFLOW VALVE PACKING	2	
80\$	5132120750	FUEL FILTER COVER	1	
86\$	9132600561	OVERFLOW VALVE ASSY.	1	
91	9197518010	FUEL FILTER BRACKET	1	
92	9020608180	BOLT	2	
93	9091506080	LOCKWASHER	2	REPLACES 9091508080
94	9091645080	PLAIN WASHER	2	
96	9019110320	BOLT	2	
100	9132190570	OIL FILTER PACKING	1	
101-1	9019008350	BOLT	4	
110	8941208540	OIL FILTER ASSY.	1	INCL. ITEMS W/@
111@	8941564550	OIL FILTER CARTRIDGE	1	
112@	8941564540	OIL FILTER BODY	1	
113@	9132260090	ADAPTER	1	
114@	5131600030	RELIEF VALVE ASSY.	1	
115@	9099206200	PACKING ADAPTER	1	

OIL PIPE ASSY.

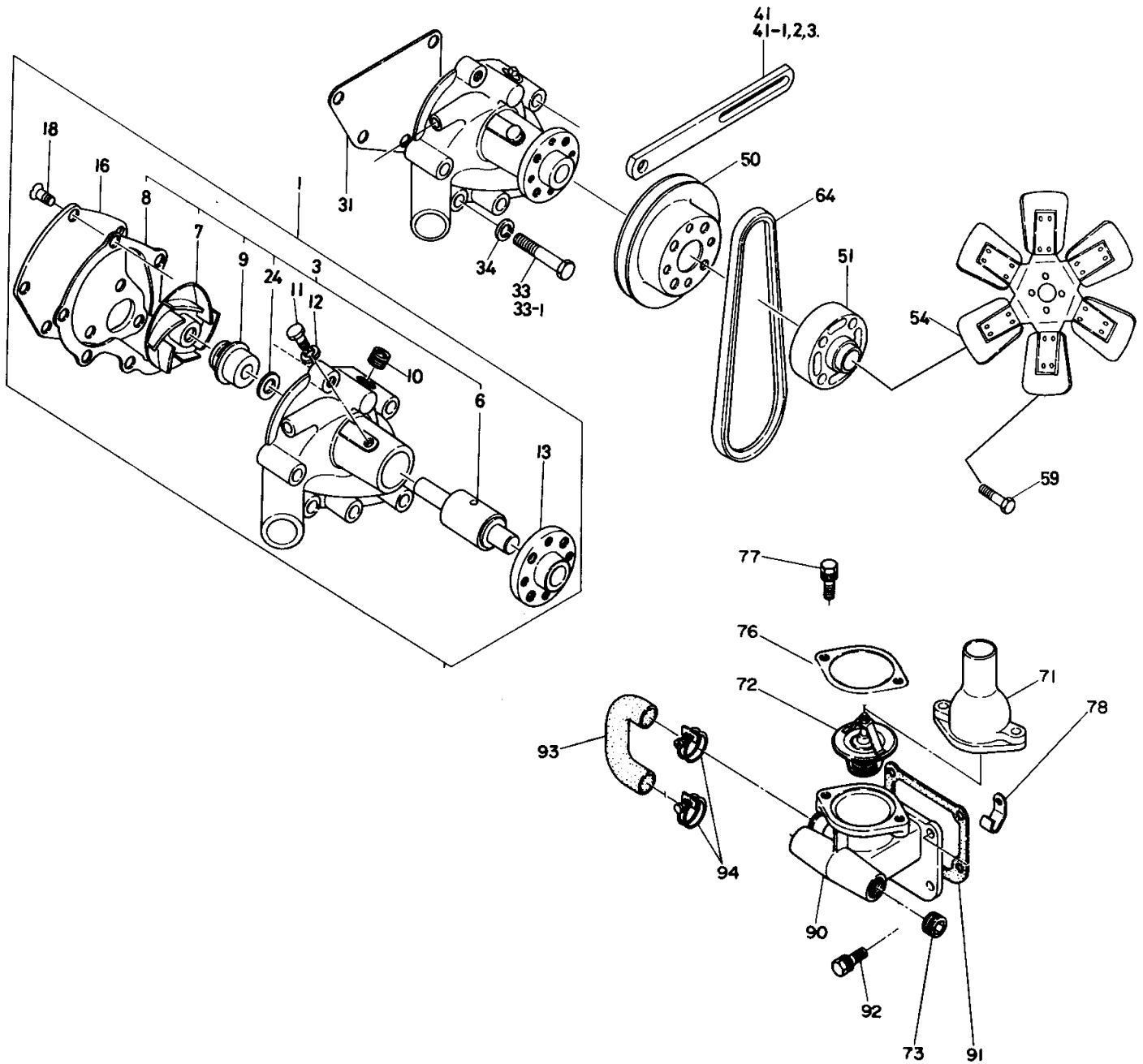


OIL PIPE ASSY.

<u>NO.</u>	<u>PART NO.</u>	<u>ITEM</u>	<u>QTY.</u>	<u>REMARKS</u>
1	9133119810	OIL PUMP ASSY.	1	
2	5133111141	ROCKER OIL FEED PIPE	1	
3	9099061051	BOLT	1	
4	9099209000	PACKING	2	
9	5133111740	OIL INJECTION PIPE	1	
10	5096750220	ADAPTER	1	
11	9095720080	PACKING	2	
13	901906120	BOLT	1	

ISUZU C240 --- WATER PUMP AND FAN ASSY.

WATER PUMP AND FAN ASSY.



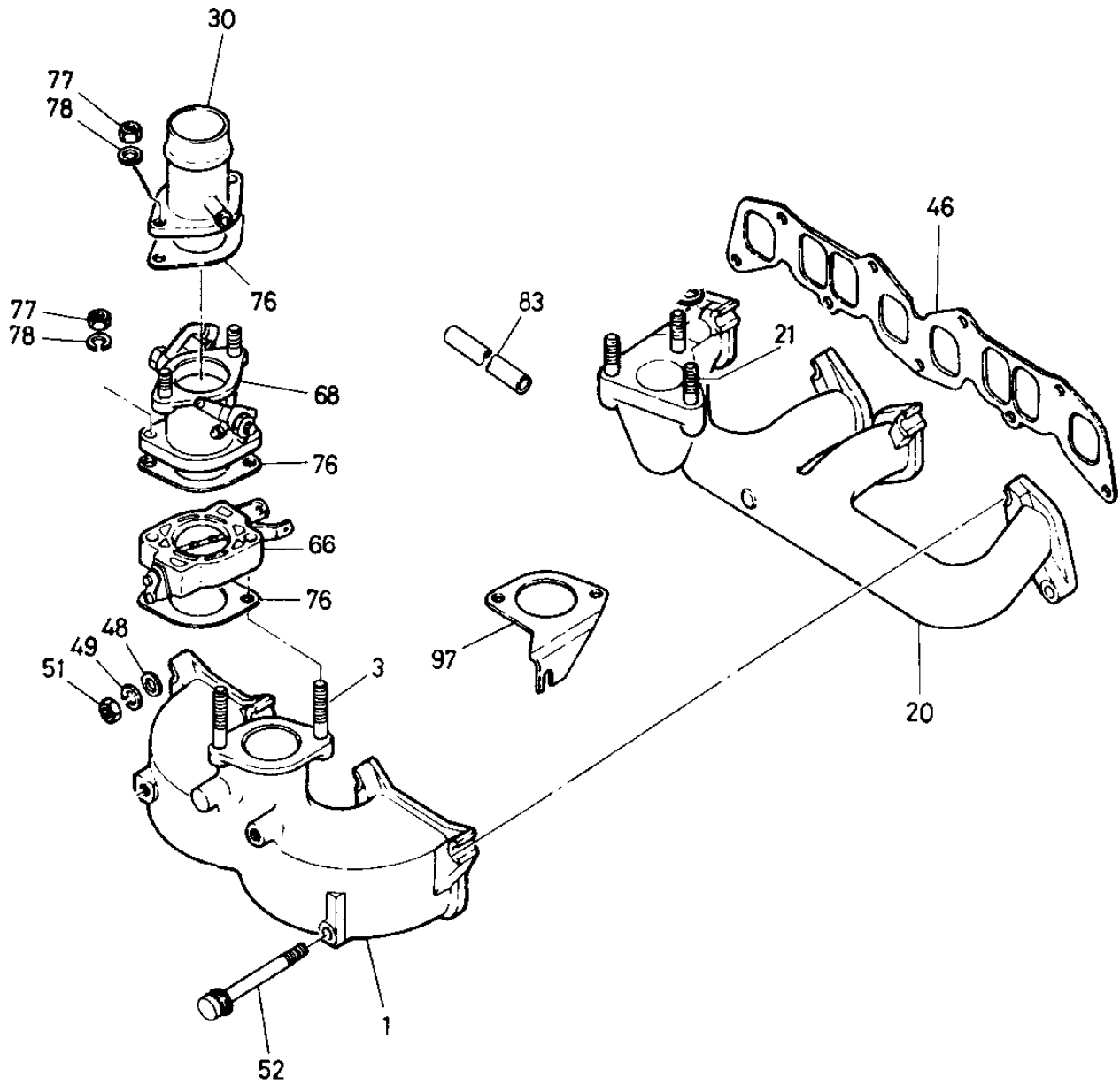
ISUZU C240 --- WATER PUMP AND FAN ASSY.

WATER PUMP AND FAN ASSY.

<u>NO.</u>	<u>PART NO.</u>	<u>ITEM</u>	<u>QTY.</u>	<u>REMARKS</u>
1	5136101673	WATER PUMP ASSY.	1	INCL. ITEMS W/*
3*	5878101391	WATER PUMP REPAIR KIT	1	INCL. ITEMS W.#
6*#	5136310080	BEARING UNIT	1	
7*#	9136210760	IMPELLER	1	
8*#	9136136070	PACKING	1	
9*#	8942366870	SEAL UNIT ASSY.	1	
10*#	5096050050	SCREW HEATER PLUG	1	
11*#	5098140010	SCREW	1	
12*#	9091505080	LOCKWASHER	1	
13*#	5136420640	FAN CENTER	1	
16*#	9136120530	WATER PUMP COVER	1	
18*#	9030408160	SCREW	1	
24*#	9136390010	BRIDGE UNIT THROWER	1	
31	9136140430	PACKING	1	
33	5090000890	BOLT	2	
33-1	5090000880	BOLT	4	
41	5136750390	ADJUSTING FAN BELT PLATE	1	
50	9136416160	FAN PULLEY	1	
51	9136420770	FAN SPACER	1	
54	9136608090	FAN ASSY.	1	
59	9019108450	BOLT	4	
64	5136710400	COOLING FAN BELT	1	
71	9137130380	OUTLET PIPE	1	
72	5137700221	THERMOSTAT	1	
73	5096050050	HEATER PLUG	1	
76	5096370130	PACKING	1	
77	9019708300	BOLT	2	
78	9099168190	CLIP	1	
90	9137168042	THERMOSTAT HOUSING	1	
91	5137430050	HOUSING PACKING	1	
92	9019708200	BOLT	2	
92	9019108220	BOLT	2	
93	9137211322	RUBBER BYPASS HOSE	1	
94	9099156441	HOSE CLIP	2	

ISUZU C240 --- INTAKE AND EXHAUST MANIFOLD ASSY.

INTAKE AND EXHAUST MAINIFOLD ASSY.



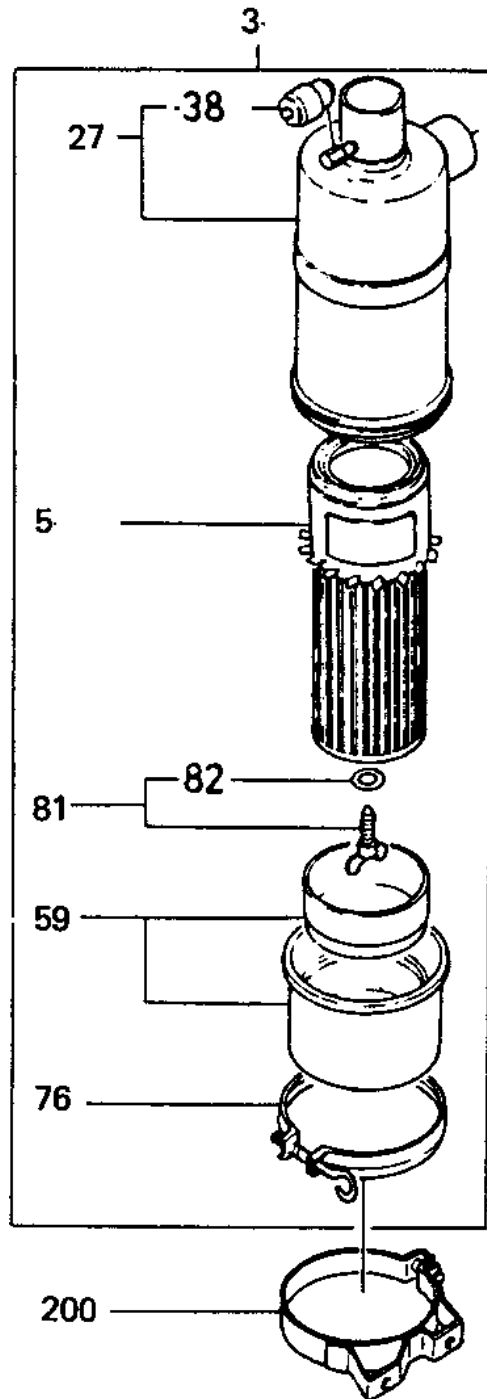
ISUZU C240 --- INTAKE AND EXHAUST MANIFOLD ASSY.

INTAKE AND EXHAUST MANIFOLD ASSY.

<u>NO.</u>	<u>PART NO.</u>	<u>ITEM</u>	<u>QTY.</u>	<u>REMARKS</u>
1	9141126954	INLET MANIFOLD	1	
3	9041108500	INTAKE STUD	2	
20	9141416142	EXHAUST MANIFOLD	1	
21	5093020020	EXHAUST STUD	1	
30	5141111290	INLET PIPE	2	
46	5141460180	GASKET	1	
48	9091646080	PLAIN WASHER	7	
49	9091505080	LOCK WASHER	7	
51	9091104080	NUT	7	
52	5090000870	BOLT	2	
66	5143101961	INTAKE SHUTTER ASSY.	1	
76	5096370150	THROTTLE VALVE PACKING	3	
77	9091104080	NUT	3	
78	9091505080	LOCK WASHER	2	
83	5093600530	HOSE	1	
97	5143340780	WIRE CONTROL BRACKET	1	

ISUZU C240 --- AIR CLEANER ASSY.

AIR CLEANER ASSY.



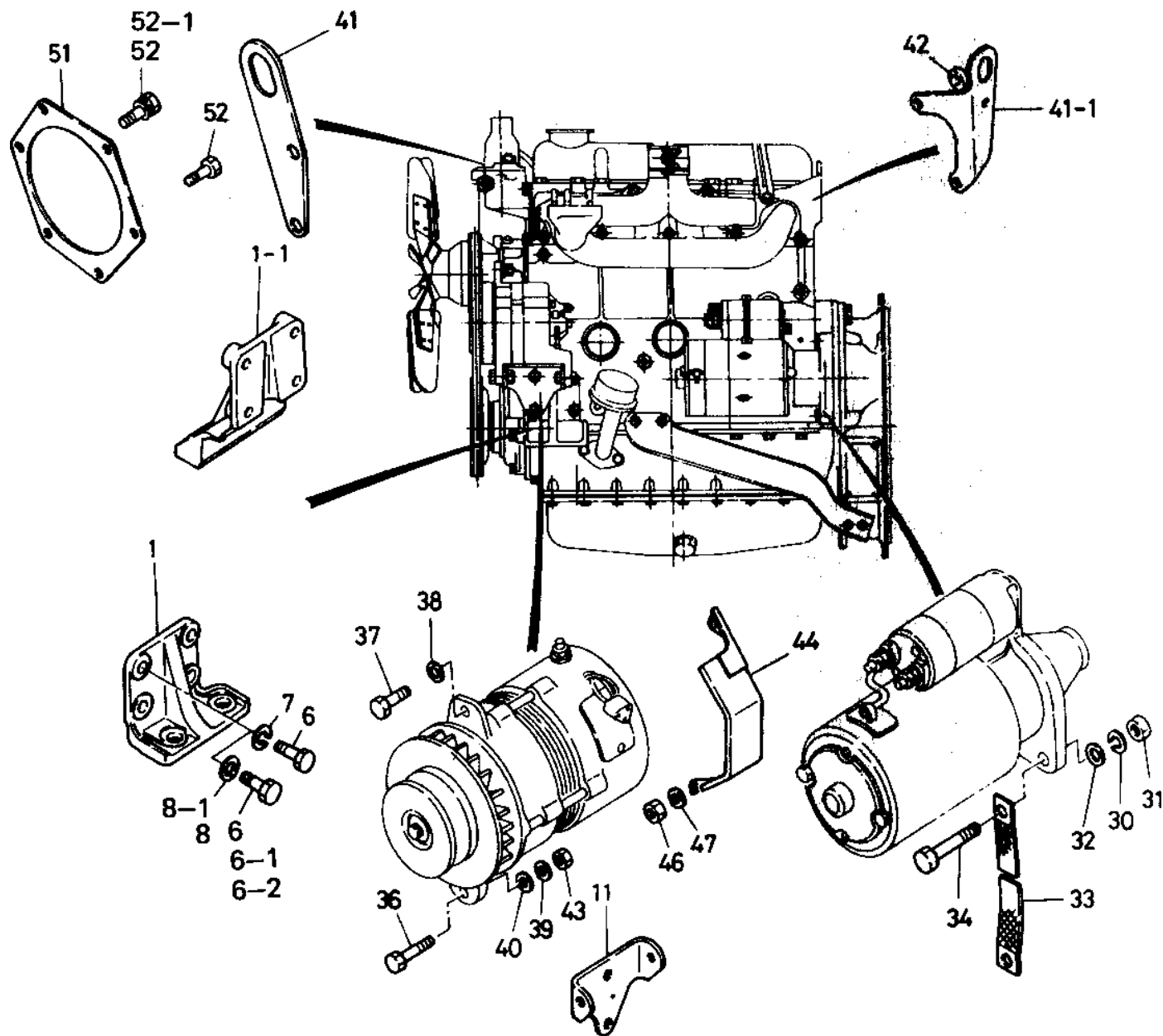
ISUZU C240 --- AIR CLEANER ASSY.

AIR CLEANER ASSY.

<u>NO.</u>	<u>PART NO.</u>	<u>ITEM</u>	<u>QTY.</u>	<u>REMARKS</u>
3	5142102130	AIR CLEANER ASSY.....	1	INCL. ITEMS W/*
5*	5142150140	ELEMENT	1	
27*	5142110670	COVER	1	
38*	9142191410	INDICATOR	1	
59*	5142120560	DUST W/BAFFLE PAN	1	
76*	5142170040	CLAMP	1	
81*	9142170620	BOLT W/GASKET WASHER	1	INCL. ITEMS W/#
82*#	9142191770	GASKET WASHER	3	
200	9142176020	BAND ASSY. W/BOLT	2	

ISUZU C240 --- ENGINE FOOT ASSY.

ENGINE FOOT ASSY.



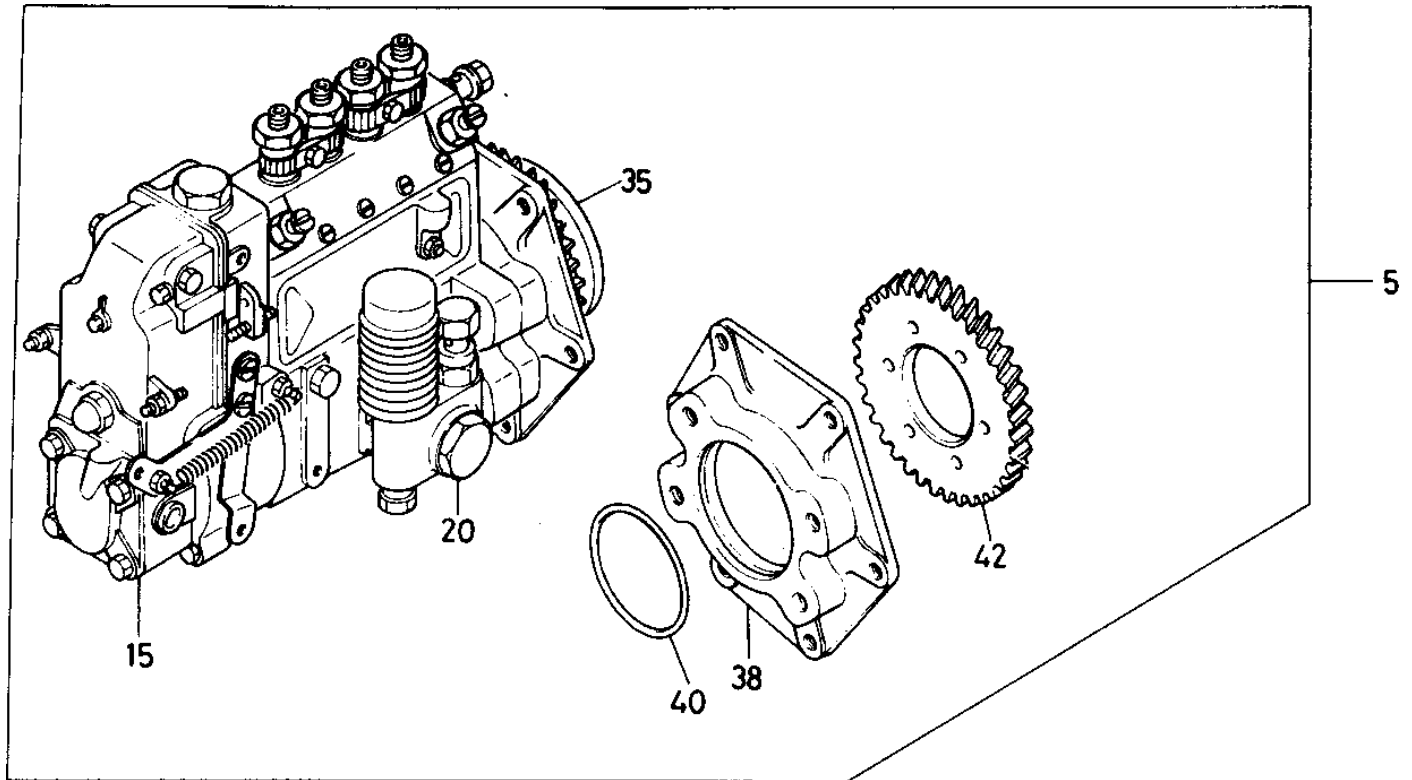
ISUZU C240 --- ENGINE FOOT ASSY.

ENGINE FOOT ASSY.

<u>NO.</u>	<u>PART NO.</u>	<u>ITEM</u>	<u>QTY.</u>	<u>REMARKS</u>
1	9117712070	ENGINE FOOT, RIGHT SIDE	1	
1-1	5117710501	ENGINE FOOT, LEFT SIDE	1	
6	9029510250	FOOT BOLT, RIGHT SIDE	4	
6-1	9029510250	BOLT FOOT, LEFT SIDE	1	
6-2	9029560400	BOLT FOOT, LEFT SIDE	3	
8	9098518660	PLAIN WASHER	8	
11	5197110010	ALTERNATOR BRACKET	1	
30	9091505080	LOCKWASHER	1	
31	9091114080	NUT	1	
32	9091605120	PLAIN WASHER	1	
33	9829315110	CABLE ASSY.	1	
34	9019312450	BOLT	2	
36	9010558320	BOLT	2	
37	9019108400	BOLT	1	
38	9091647080	PLAIN WASHER	1	
39	9091505080	LOCKWASHER	2	
40	9091605080	PLAIN WASHER	2	
41	9117770750	FRONT LIFTING HANGER	1	
41-1	9117771360	REAR LIFTING HANGER	1	
42	9141491730	REAR HANGER PIECE	2	
43	9091105080	NUT	2	
44	5197190060	ALTERNATOR FAN COVER	1	
46	9091104080	NUT	1	
47	9091505080	LOCKWASHER	1	
51	5113190570	FRONT PLATE PACKING	1	
52	8942059870	BOLT	2	
52-1	9019108320	BOLT	4	

ISUZU C240 --- INJECTION PUMP ASSY.

INJECTION PUMP ASSY.

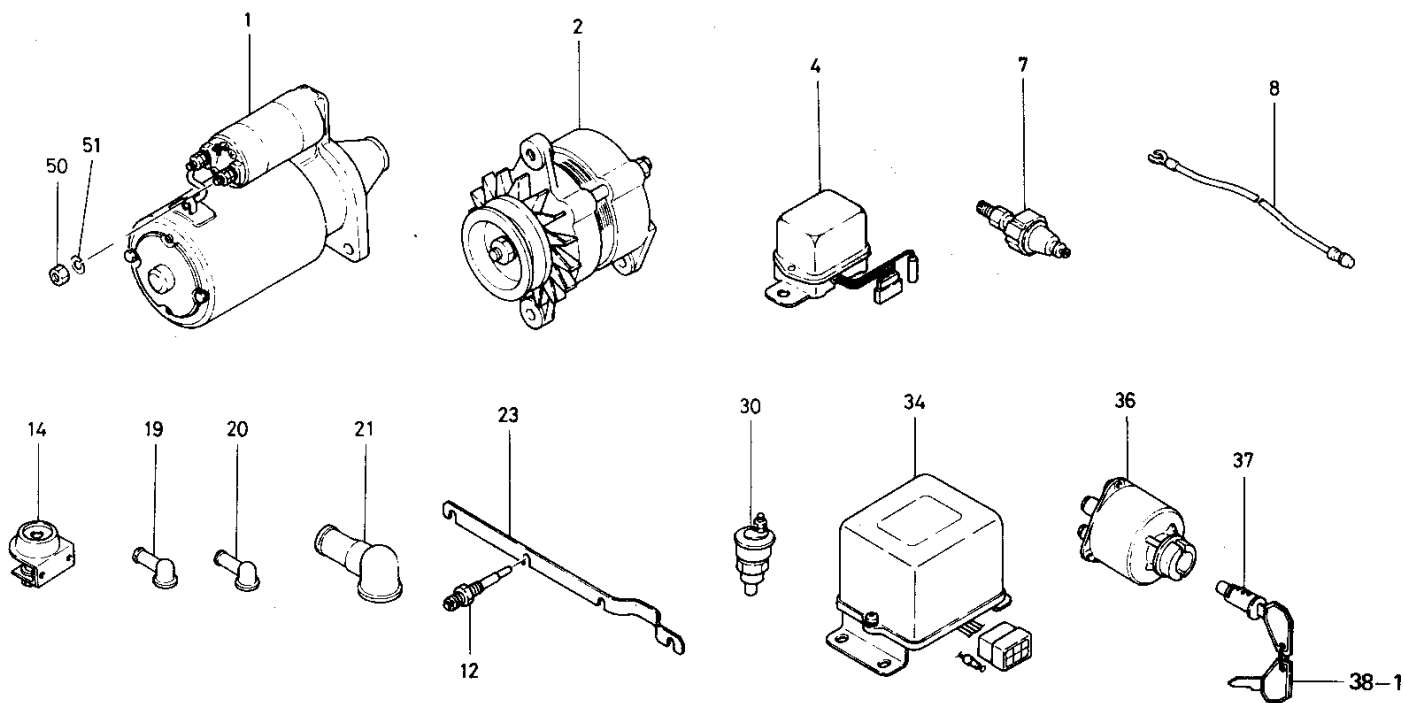


ISUZU C240 --- INJECTION PUMP ASSY.

INJECTION PUMP ASSY.

<u>NO.</u>	<u>PART NO.</u>	<u>ITEM</u>	<u>QTY.</u>	<u>REMARKS</u>
5	8943864440	INJECTION PUMP ASSY.	1	REPLACES 5156010252 INCL. ITEMS W/*
15*	5157201400	GOVERNOR ASSY.	1	
20*	8941415340	FEED PUMP ASSY.	1	
35*	5157400720	AUTOMATIC TIMER	1	
38*	9197510790	INJ. PUMP SPACER BRACKET	1	
40*	9099205760	O RING PACKING	1	
42*	5125240660	INJ. PUMP GEAR	1	

ELECTRICAL PARTS

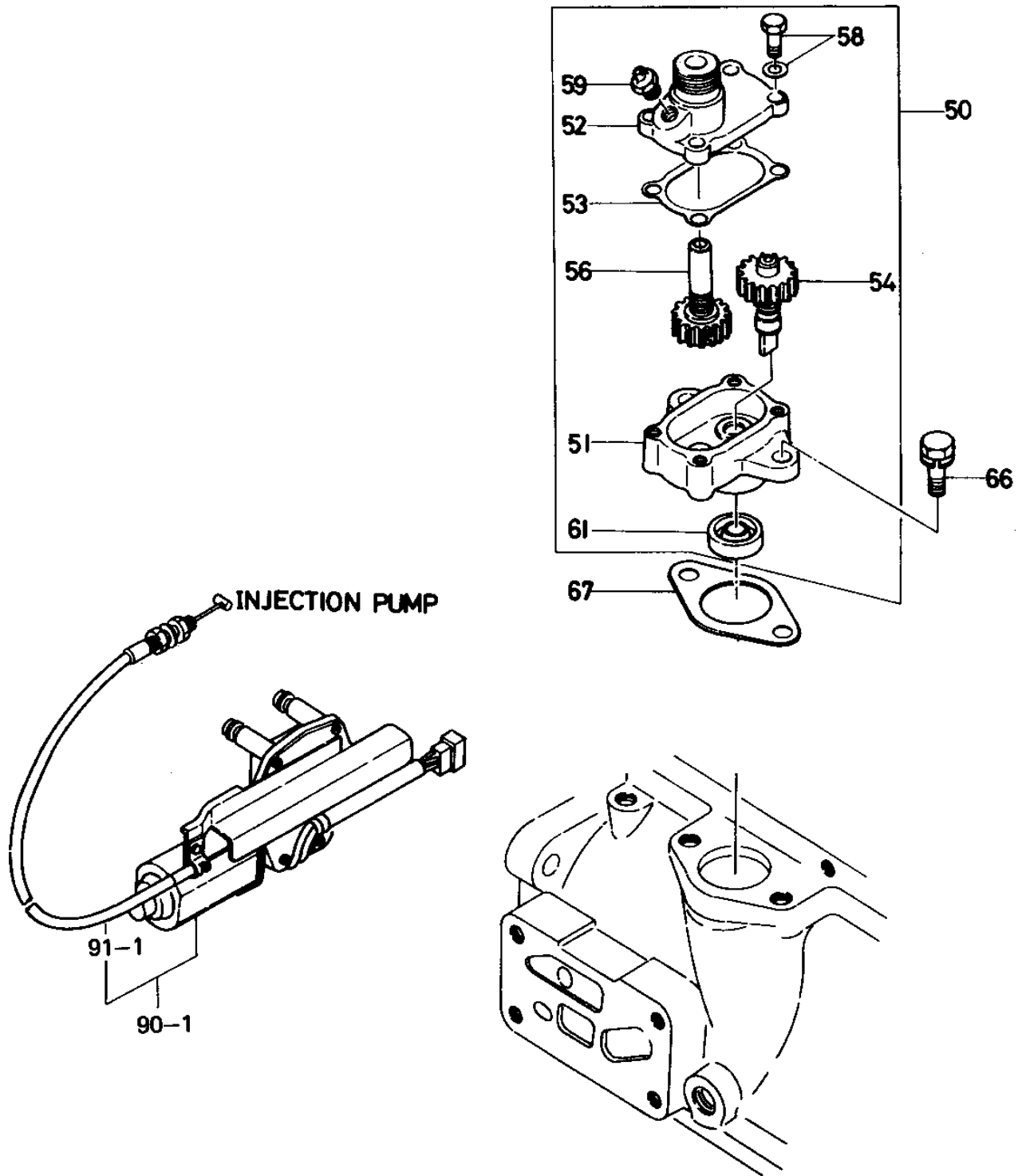


ISUZU C240 --- ELECTRICAL PARTS

ELECTRICAL PARTS

<u>NO.</u>	<u>PART NO.</u>	<u>ITEM</u>	<u>QTY.</u>	<u>REMARKS</u>
1	5811000801	STARTER	1	
2	5812003410	ALTERNATOR	1	UP TO OCT. 1992
	9822007640	ALTERNATOR	1	OCT. 1992~
4	9822531070	REGULATOR	1	
8	9829317430	CABLE ASSY.	1	
12	9825119780	GLOW PLUG	4	
14	9825301090	CONTROL	1	
19	9829513240	INSULATOR CAP	2	
20	9829513250	INSULATOR CAP	2	
21	9829513320	CABLE CAP	1	
23	9197326100	CONNECTOR	1	
30	5824500140	SWITCH	1	
34	5825500190	EMERGENCY RELAY	1	
36	1823100080	STARTER SWITCH	1	
38-1	1823170070	KEY	1	
50	9091114080	NUT	1	
51	9091505080	LOCKWASHER	1	

ACCESSORIES



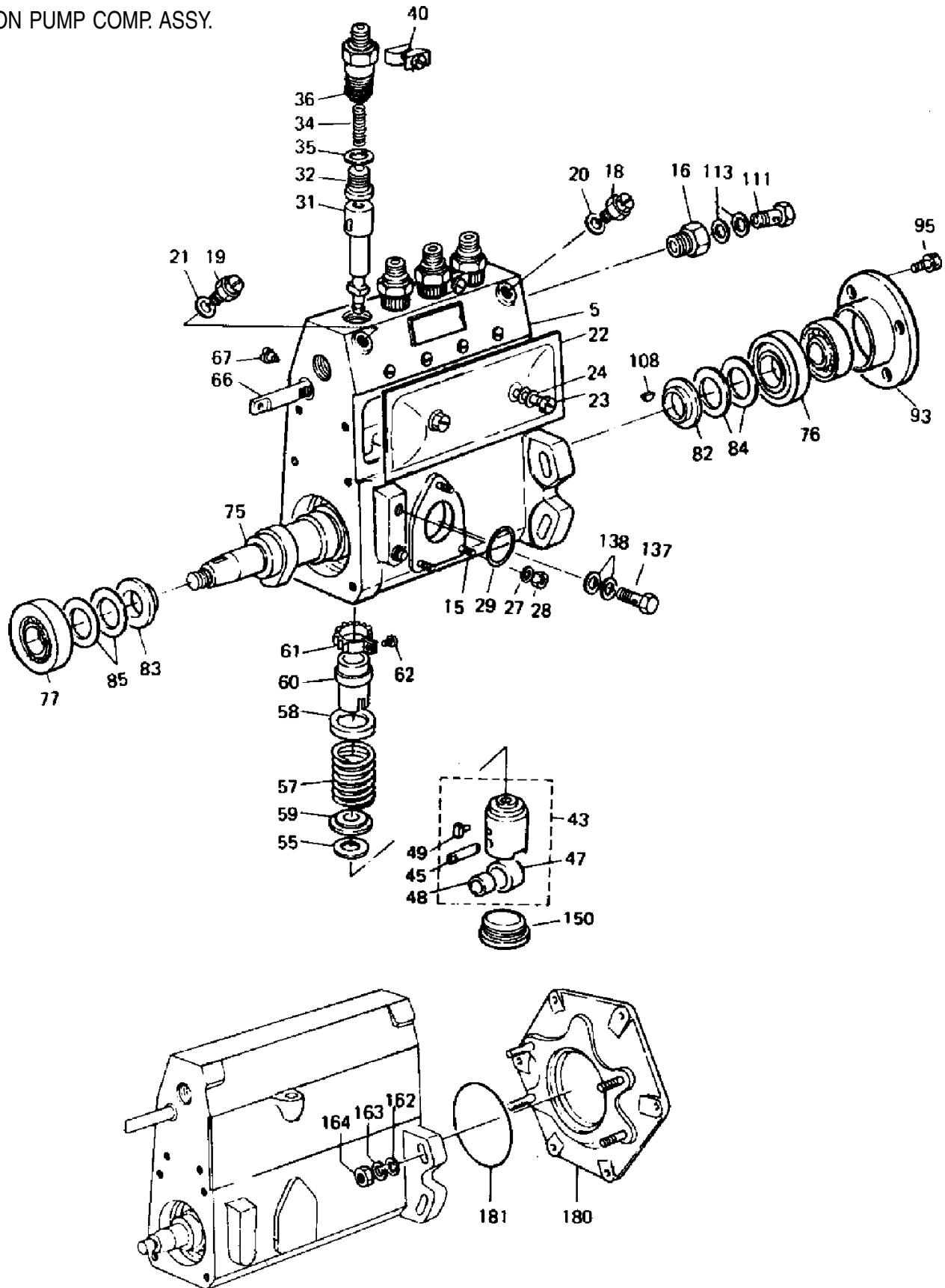
ISUZU C240 --- ACCESSORIES

ACCESSORIES

<u>NO.</u>	<u>PART NO.</u>	<u>ITEM</u>	<u>QTY.</u>	<u>REMARKS</u>
50	5193100060	DRIVE ASSY.	1 INCL. ITEMS W/*
51*	9193110240	CASE	1	
52*	9193110200	COVER	1	
53*	9193120060	PACKING	1	
54*	9193160270	GEAR	1	
56*	9193160170	GEAR	1	
58*	9019006160	BOLT	4	
59*	9090310100	NIPPLE	1	
61*	9099243550	OIL SEAL	1	
66	9019008220	BOLT	2	
67	9099211070	PACKING	1	
91	5819000020	STOPPER ASSY.	1	
91-1	5828480360	CABLE ASSY.	1	

ISUZU C240 ---INJECTION PUMP COMP. ASSY.

INJECTION PUMP COMP. ASSY.



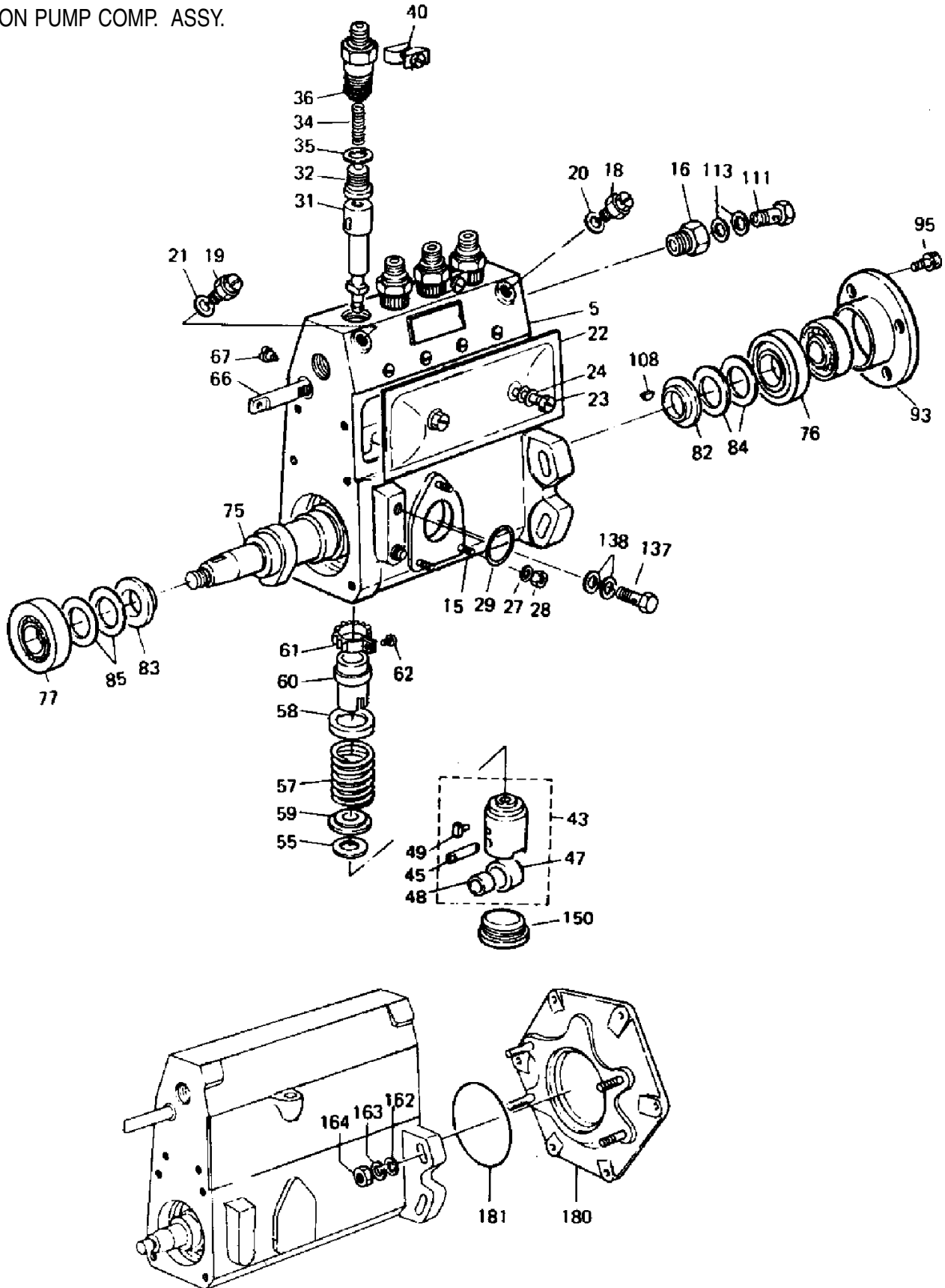
ISUZU C240 --- INJECTION PUMP COMP. ASSY.

INJECTION PUMP COMP. ASSY.

<u>NO.</u>	<u>PART NO.</u>	<u>ITEM</u>	<u>QTY.</u>	<u>REMARKS</u>
5	5156110460	HOUSING ASSY.	1	INCL. ITEMS W/*
15*	9812151150	STUD	3	
16*	9812350170	ADAPTER	1	
18*	1156190240	BOLT	2	
20*	1156390080	GASKET	1	
21*	1156390080	GASKET	1	
22*	5156120080	COVER	1	
23*	1156190030	SCREW	2	
24*	9812151440	GASKET	2	
27*	9091505060	LOCKWASHER	3	
28*	9091104060	NUT	3	
29*	1096230130	PACKING	1	
31*	5156310090	PLUNGER ASSY.	4	
32*	9812411030	DELIVERY VALVE	4	
34*	5156430020	DELIVERY VALVE SPRING	4	
35*	9812450140	GASKET	4	
36*	5156440050	HOLDER	4	
40*	5156490160	PLATE ASSY.	2	
43*	9812212230	TAPPET ASSY.	4	INCL. ITEMS W/#
45*#	9812212200	PIN TAPPET	4	
47*#	1156220030	TAPPET ROLLER	4	
48*#	1156290010	TAPPET BUSHING	4	
49*#	5156190410	TAPPET GUIDE	4	
55*	5156190340	TAPPET SHIM	A/R	T=0.30
55-1*	5156190350	TAPPET SHIM	A/R	T=0.40
55-2*	5156190360	TAPPET SHIM	A/R	T=0.50
55-3*	5156190010	TAPPET SHIM	A/R	T=0.60
55-4*	5156190020	TAPPET SHIM	A/R	T=0.70
55-5*	5156190030	TAPPET SHIM	A/R	T=0.80
55-6*	5156190040	TAPPET SHIM	A/R	T=0.90
55-7*	5156190050	TAPPET SHIM	A/R	T=1.00
55-8*	5156190070	TAPPET SHIM	A/R	T=1.10
55-9*	5156190080	TAPPET SHIM	A/R	T=1.20
55-10*	5156190090	TAPPET SHIM	A/R	T=1.30
55-11*	5156190100	TAPPET SHIM	A/R	T=1.40
55-12*	5156190110	TAPPET SHIM	A/R	T=0.55
55-13*	5156190120	TAPPET SHIM	A/R	T=0.65
55-14*	5156190130	TAPPET SHIM	A/R	T=0.75
55-15*	5156190150	TAPPET SHIM	A/R	T=0.85
55-16*	9812350420	TAPPET SHIM	A/R	T=0.95
55-17*	9812350430	TAPPET SHIM	A/R	T=1.05
55-18*	9812350440	TAPPET SHIM	A/R	T=1.15
55-19*	9812350450	TAPPET SHIM	A/R	T=1.25
55-20*	5156190250	TAPPET SHIM	A/R	T=0.25

ISUZU C240 --- INJECTION PUMP COMP. ASSY.

INJECTION PUMP COMP. ASSY.



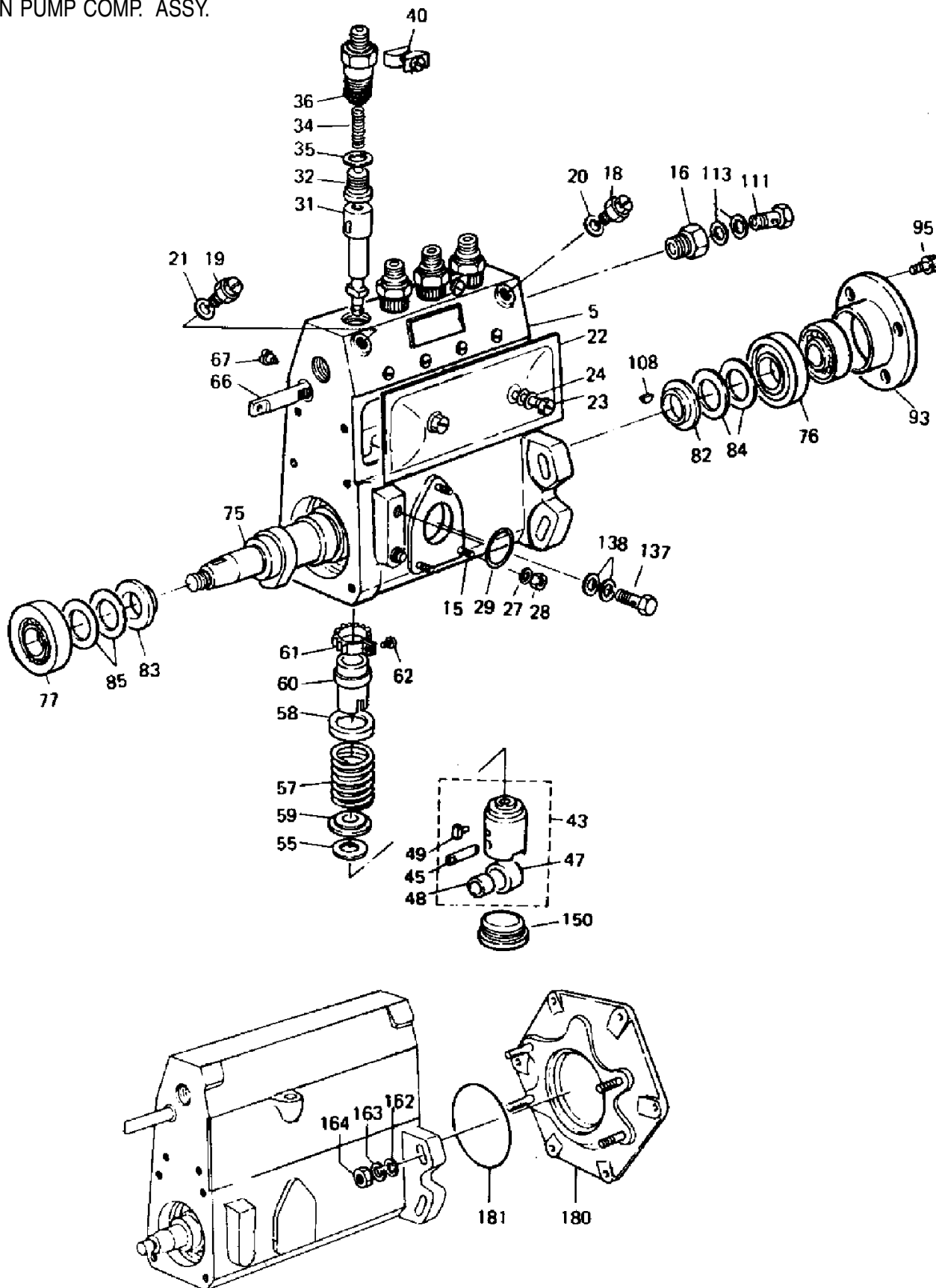
ISUZU C240 --- INJECTION PUMP COMP. ASSY.

INJECTION PUMP COMP. ASSY.

<u>NO.</u>	<u>PART NO.</u>	<u>ITEM</u>	<u>QTY.</u>	<u>REMARKS</u>
55-21*	5156190260	TAPPET SHIM	A/R	T=0.26
55-22*	5156190270	TAPPET SHIM	A/R	T=0.35
55-23*	5156190370	TAPPET SHIM	A/R	T=0.45
55-24*	5156191060	TAPPET SHIM	A/R	T=1.50
55-25*	5156191070	TAPPET SHIM	A/R	T=1.60
55-26*	5156191080	TAPPET SHIM	A/R	T=1.35
55-27*	5156191090	TAPPET SHIM	A/R	T=1.45
55-28*	5156191100	TAPPET SHIM	A/R	T=1.55
57*	9812314070	PLUNGER SPRING	4	
58*	9812350150	PLUNGER SEAT	4	
59*	9812350210	PLUNGER SEAT	4	
60*	9812250580	SLEEVE	4	
61*	9812250570	PINION	4	
62*	9812350030	SCREW	4	
66*	5156370020	CONTROL RACK	1	
67*	1156390030	SCREW	1	
75*	5156210170	CAM SHAFT	1	
73*	9812232010	BALL BEARING, CAMSHAFT	1	
76-2*	9000906770	BALL BEARING, CAMSHAFT	1	
77*	9812232010	BALL BEARING, GOV. SIDE	1	
77-2*	9000906770	BALL BEARING, GOV. SIDE	1	
82*	9812250470	CAMSHAFT RING	1	
83*	9812250470	CAM RING, GOV. SIDE	1	
84*	5156290150	CAMSHAFT SHIM	A/R	T=0.10
84-1*	5156290160	CAMSHAFT SHIM	A/R	T=0.12
84-2*	5156290170	CAMSHAFT SHIM	A/R	T=0.14
84-3*	5156290180	CAMSHAFT SHIM	A/R	T=0.16
84-4*	5156290190	CAMSHAFT SHIM	A/R	T=0.18
84-5*	5156290200	CAMSHAFT SHIM	A/R	T=0.50
84-6*	5156190380	CAMSHAFT SHIM	A/R	T=1.00
84-7*	5156290210	CAMSHAFT SHIM	A/R	T=0.30
84-8*	5156190390	CAMSHAFT SHIM	A/R	T=0.70
84-9*	1156190900	CAMSHAFT SHIM	A/R	T=1.40
85*	5156290150	CAMSHAFT SHIM	A/R	T=0.10
85-1*	5156290160	CAMSHAFT SHIM	A/R	T=0.30
85-2*	5156290170	CAMSHAFT SHIM	A/R	T=0.14
85-3*	5156290180	CAMSHAFT SHIM	A/R	T=0.16
85-4*	5156290190	CAMSHAFT SHIM	A/R	T=0.18
85-5*	5156290200	CAMSHAFT SHIM	A/R	T=0.50
85-6*	5156190380	CAMSHAFT SHIM	A/R	T=1.00
85-7*	5156290210	CAMSHAFT SHIM	A/R	T=0.30
85-8*	5156190390	CAMSHAFT SHIM	A/R	T=0.70
85-9*	1156190900	CAMSHAFT SHIM	A/R	T=1.40
93*	5156290050	HOUSING COVER	1	
95*	9019006140	BOLT	4	

ISUZU C240 --- INJECTION PUMP COMP. ASSY.

INJECTION PUMP COMP. ASSY.



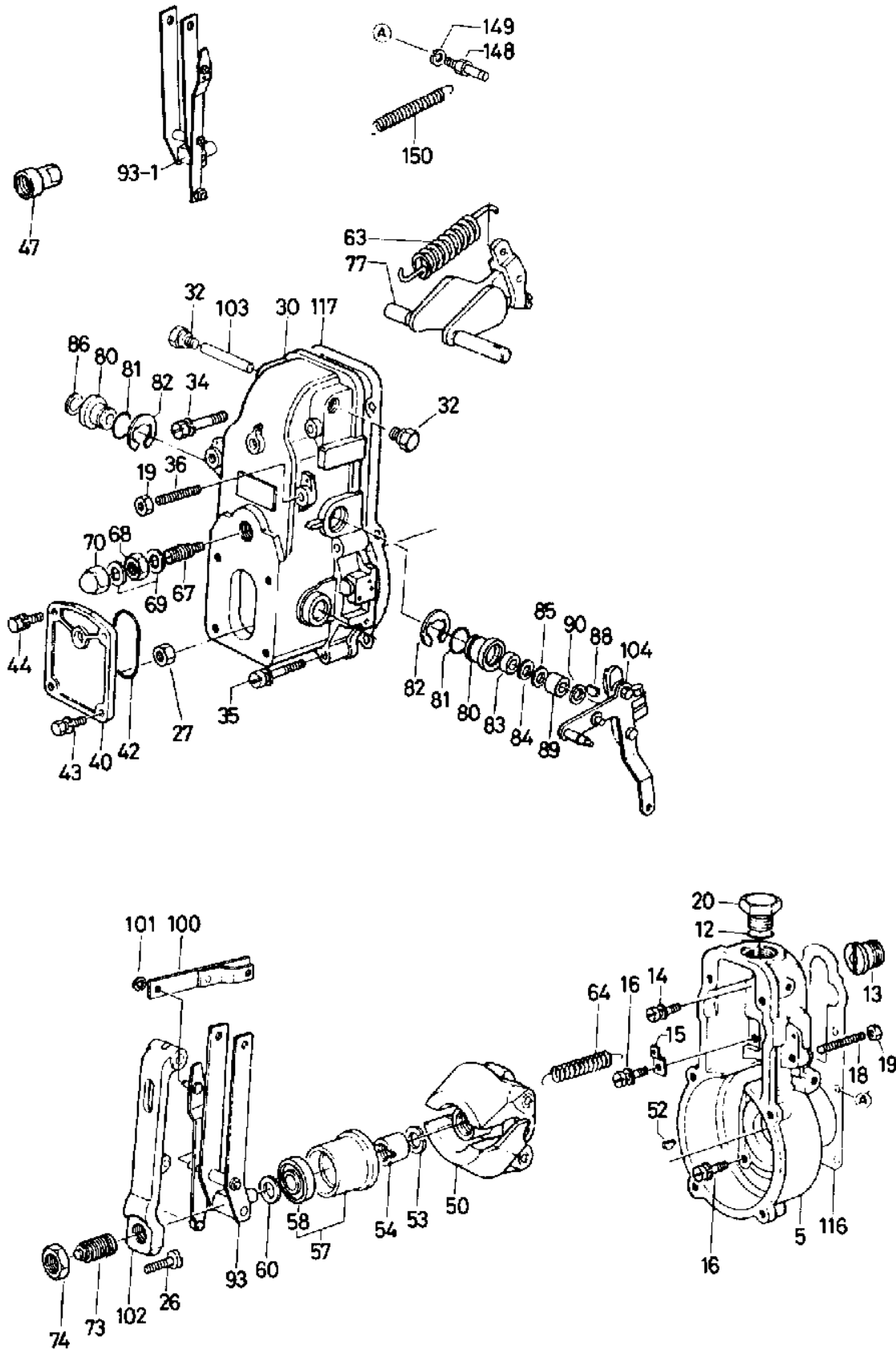
ISUZU C240 --- INJECTION PUMP COMP. ASSY.

INJECTION PUMP COMP. ASSY.

<u>NO.</u>	<u>PART NO.</u>	<u>ITEM</u>	<u>QTY.</u>	<u>REMARKS</u>
108*	9812214110	KEY	1	
111*	1156190820	BOLT	1	
113*	1157590010	PACKING	2	
137*	9097060370	BOLT	1	
138*	1096350070	PACKING	2	
150*	9812150780	TAPPET PLUG	4	
162*	9091606100	PLAIN WASHER	4	
163*	9091505100	LOCK WASHER	4	
164*	5156390020	NUT	4	
180*	9197510790	BRACKET	1	
181*	9099205760	O RING PACKING	1	

ISUZU C240 ---GOVERNOR COMP. ASSY.

GOVERNOR COMP. ASSY.



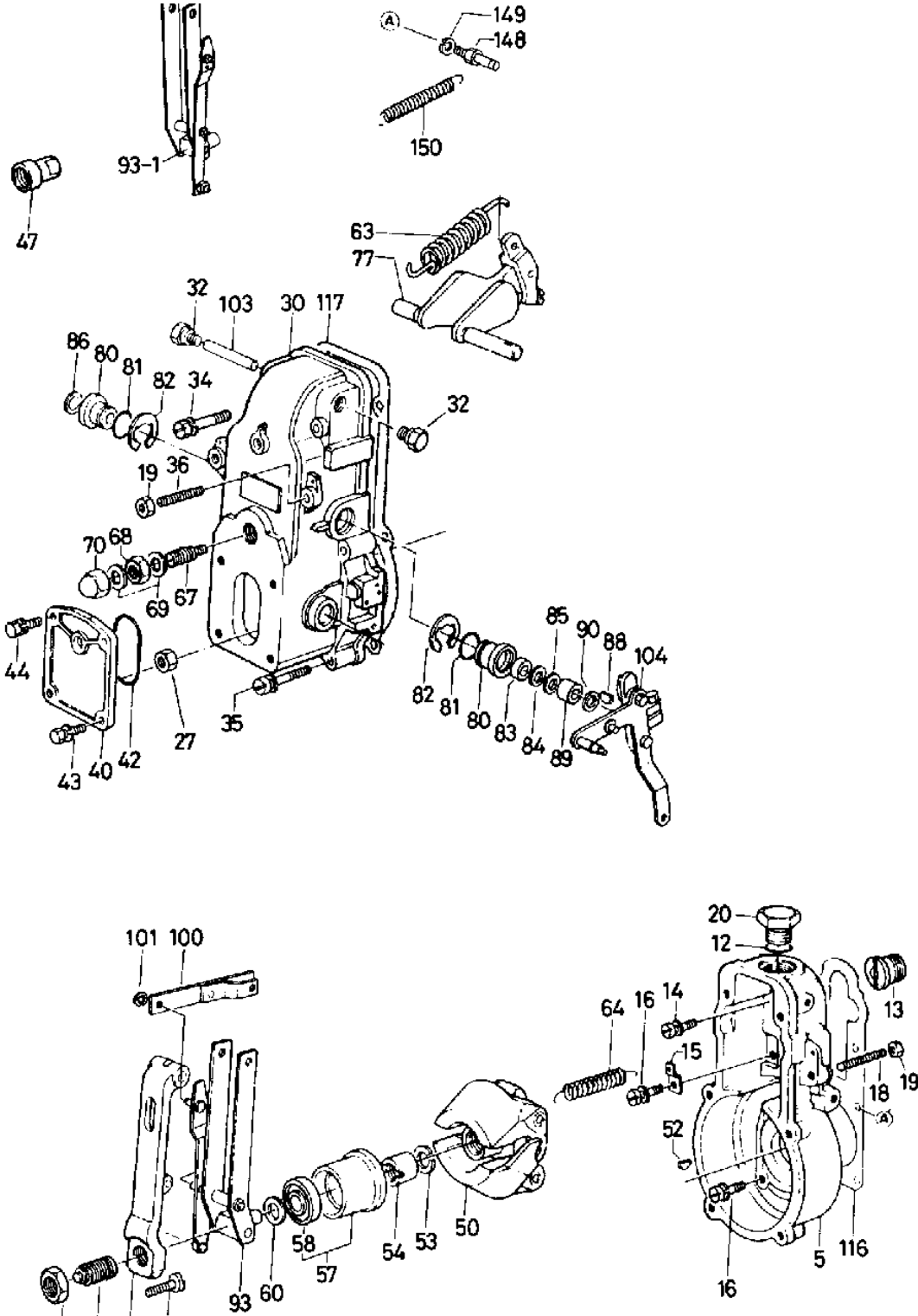
ISUZU C240 --- GOVERNOR COMP. ASSY.

GOVERNOR COMP. ASSY.

<u>NO.</u>	<u>PART NO.</u>	<u>ITEM</u>	<u>QTY.</u>	<u>REMARKS</u>
5	1157210040	HOUSING	1	INCL. ITEMS W/*
12*	1157290150	O RING PACKING	1	
13*	9813150650	ADAPTER	1	
14*	9019008180	BOLT	1	
15*	9813253970	HOUSING PLATE	1	
16*	901906140	BOLT	6	
18*	5157291230	SCREW	1	
19*	9813252370	NUT	2	
20*	1157290380	HOUSING PLUG	1	
26*	9813251820	SCREW	1	
27*	9813261120	NUT	1	
30*	5157210080	COVER	1	
32*	5157290530	PLUG	2	
34*	5157290540	BOLT	2	
35*	5157290330	BOLT	2	
36*	5157291230	SCREW	1	
40*	9813211860	COVER	1	
42*	9813919070	O RING PACKING	1	
43*	5157290630	BOLT	2	
44*	9019006160	BOLT	2	
47*	9812350340	CAP	1	
50*	9813213230	FLYWEIGHT ASSY.	1	
52*	5156190490	KEY	1	
53*	5157290340	LOCKWASHER	1	
54*	9813250860	NUT	1	
57*	5157190080	SLEEVE	1	INCL. ITEM W/#
58*#	9000902290	BEARING	1	
60*	9813250880	SHIM	A/R	T=0.20
60-1*	9813255510	SHIM	A/R	T=0.30
60-2*	9813255520	SHIM	A/R	T=0.40
60-3*	9813255530	SHIM	A/R	T=1.00
63*	9813222100	GOVERNOR SPRING	1	
64*	5157230820	LINK SPRING	1	
67*	1157230200	CAPSULE SPRING	1	
68*	9813932040	NUT	1	
69*	1156390080	GASKET	2	
73*	9813216360	CAPSULE SPRING	1	
74*	9008130230	NUT	1	
77*	9813217210	LEVER	1	
80*	9813250990	BUSHING	2	
81*	9813212050	O RING PACKING	2	
82*	9091854150	SNAP RING	2	

ISUZU C240 --- GOVERNOR COMP. ASSY.

GOVERNOR COMP. ASSY.



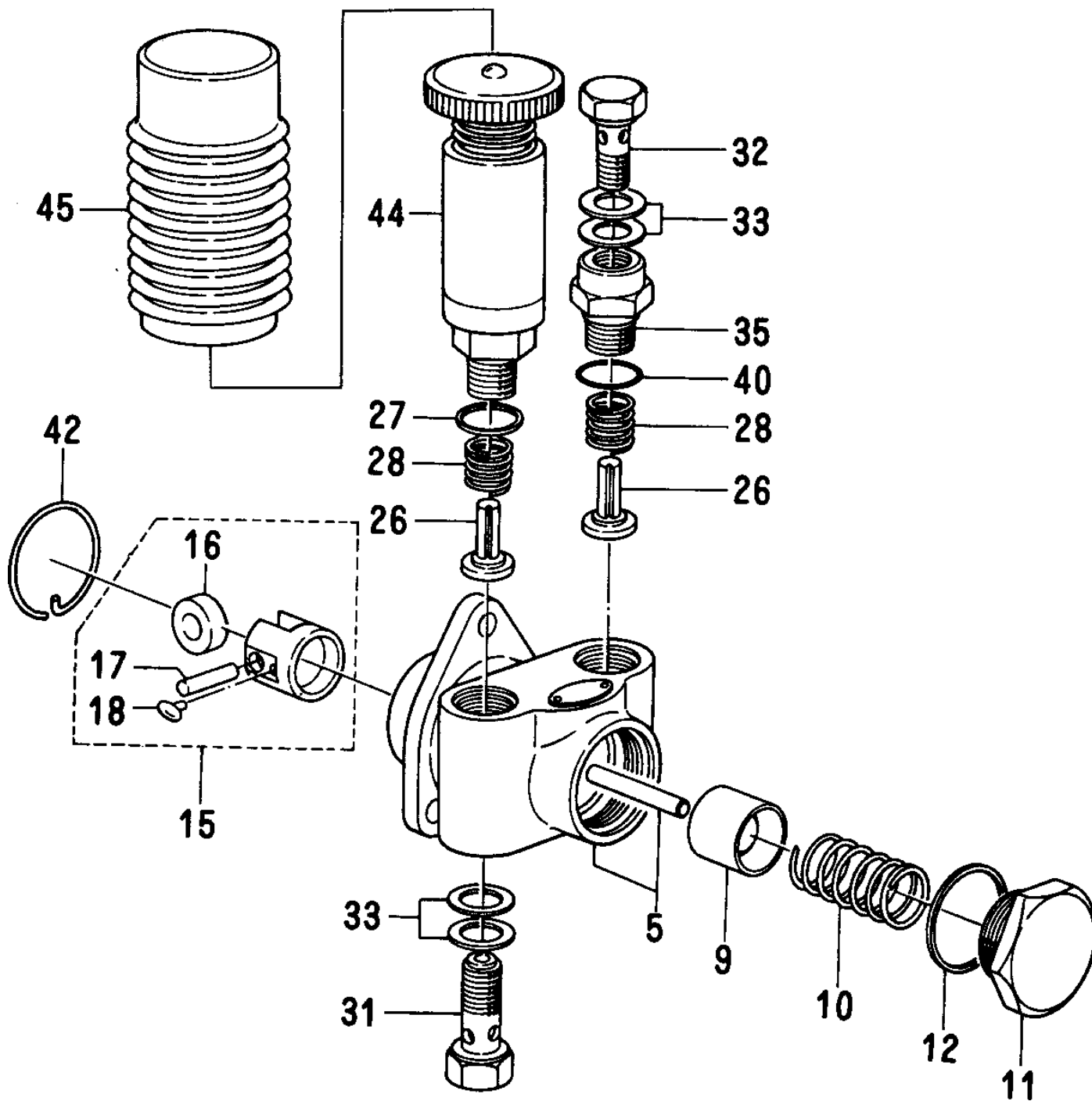
ISUZU C240 --- GOVERNOR COMP. ASSY.

GOVERNOR COMP. ASSY.

<u>NO.</u>	<u>PART NO.</u>	<u>ITEM</u>	<u>QTY.</u>	<u>REMARKS</u>
83*	9813212200	OIL SEAL	1	
84*	9813251730	SHIM	1	T=0.50
85*	9813250970	SHIM	A/R	T=0.30
86*	9813253180	PLUG	1	
88*	9813250300	KEY	1	
89*	9813913070	COLLAR	1	
90*	9813254880	WASHER	A/R	
93*	5157250160	GUIDE LEVER ASSY.	1	
100*	9813217130	LINK	1	
101*	1157290230	SNAP RING	1	
102*	5157250170	TENSION LEVER	1	
103*	9813250620	PIN	1	
104*	5157250490	LEVER	1	
116*	1157290010	GASKET	1	
117*	1157290020	GASKET	1	
148*	5157291120	BOLT	1	
150*	5157230880	SPRING	1	

ISUZU C240 --- FEED PUMP COMP. ASSY.

FEED PUMP COMP. ASSY.



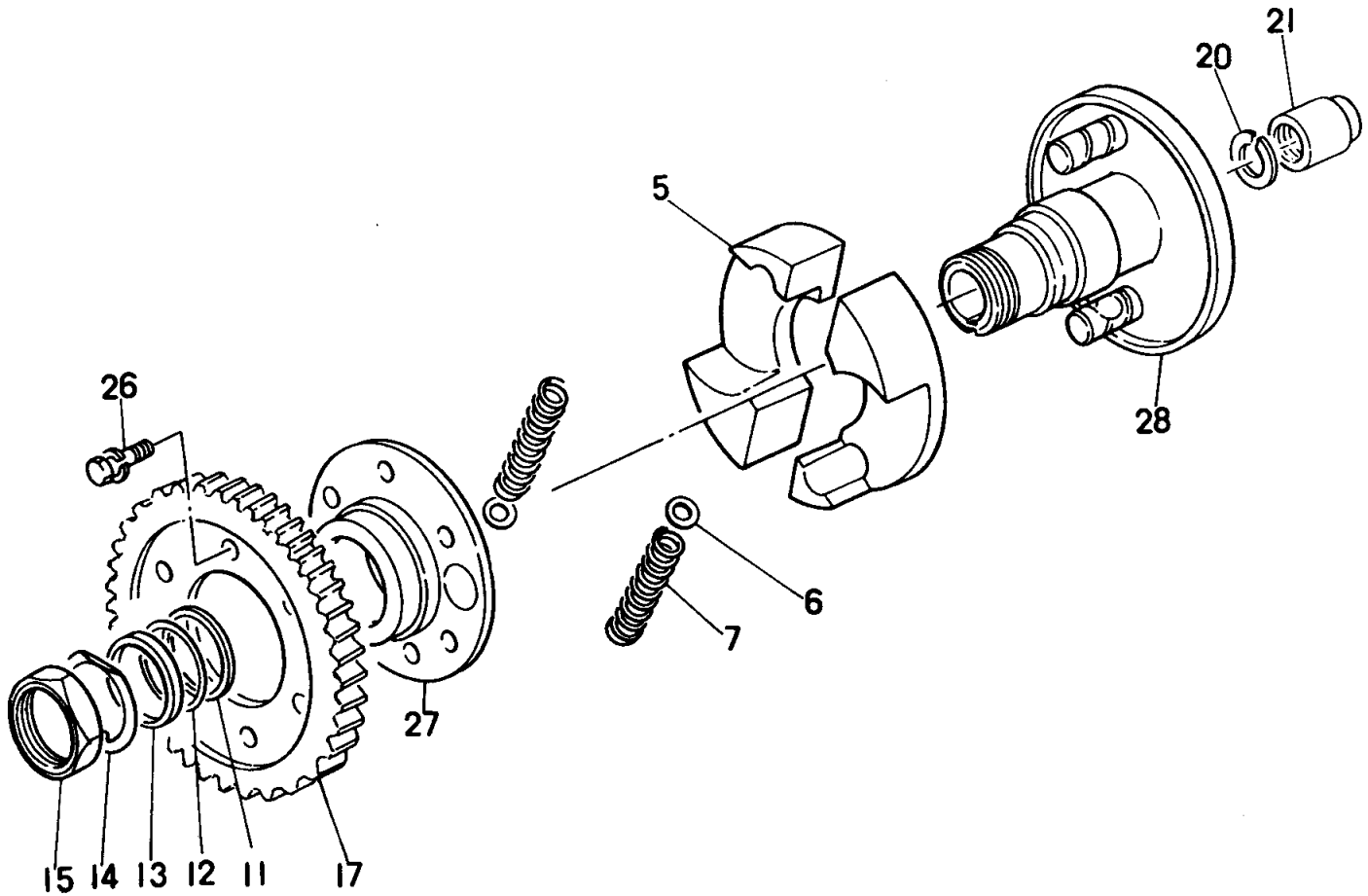
ISUZU C240 --- FEED PUMP COMP. ASSY.

FEED PUMP COMP. ASSY.

<u>NO.</u>	<u>PART NO.</u>	<u>ITEM</u>	<u>QTY.</u>	<u>REMARKS</u>
5	5157510120	HOUSING	1	INCL. ITEMS W/*
9*	9813512050	PISTON	1	
10*	9813513030	SPRING	1	
11*	9813550230	PLUG	1	
12*	9813550350	GASKET	1	
15*	5157540010	TAPPET ASSY.....	1	INCL. ITEMS W/*
16*#	9813514030	ROLLER	1	
17*#	9813514100	PIN	1	
18*#	1157590020	GUIDE	2	
26*	9813516020	CHECK VALVE	2	
27*	1096230160	GASKET	1	
28*	9813517020	SPRING	2	
31*	9099063260	BOLT	1	
32*	1156190820	BOLT	1	
33*	1157590010	PACKING	4	
35*	1157590030	ADAPTER	1	
40*	1096230160	PACKING	1	
42*	9813550250	RING	1	
44*	9813521040	PUMP	1	REPLACES 5157610050
45*	9813550330	COVER	1	

ISUZU C240 --- AUTO TIMER COMP. ASSY.

AUTO TIMER COMP. ASSY.



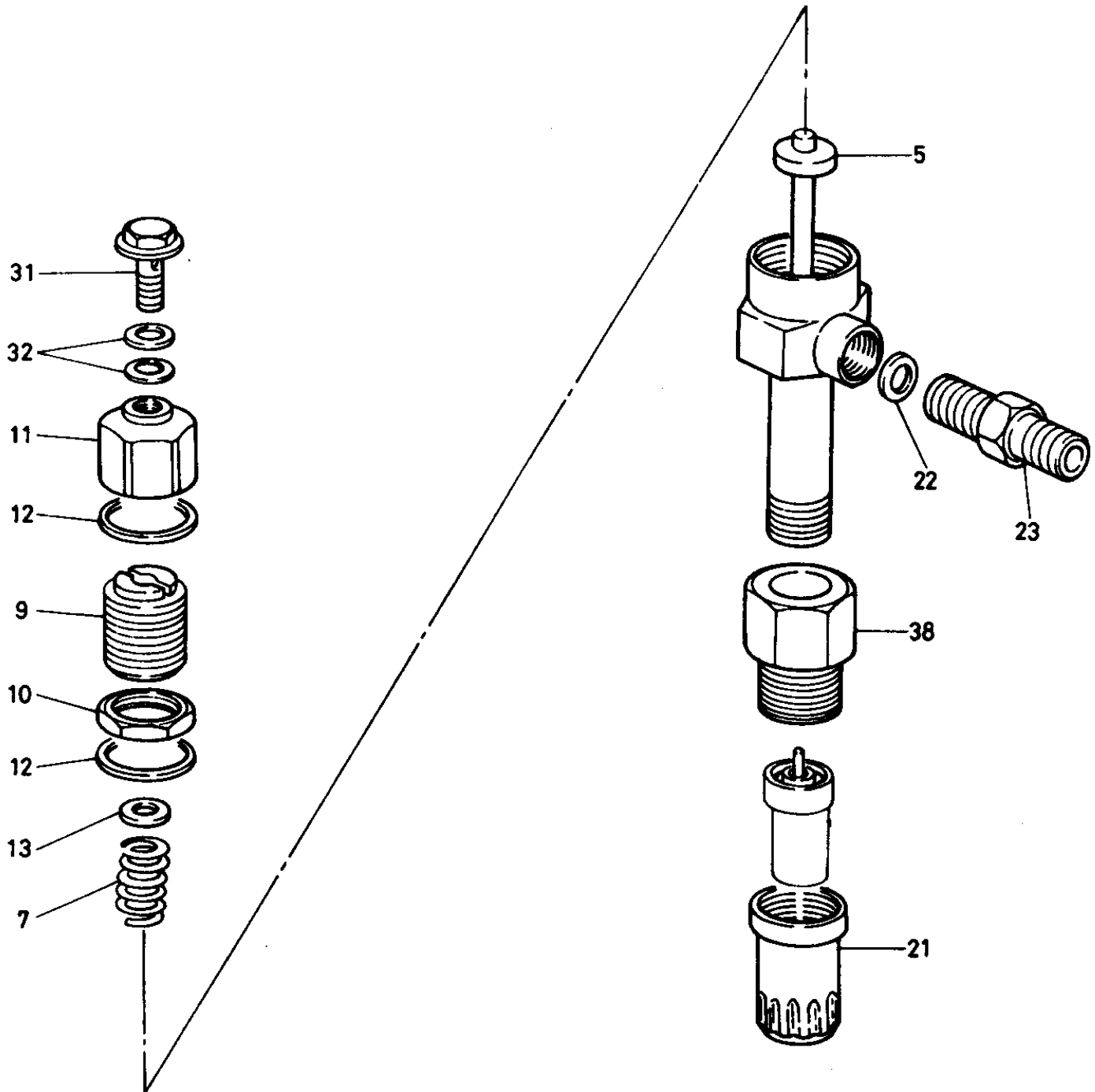
ISUZU C240 --- AUTO TIMER COMP. ASSY.

AUTO TIMER COMP. ASSY.

<u>NO.</u>	<u>PART NO.</u>	<u>ITEM</u>	<u>QTY.</u>	<u>REMARKS</u>
5	9813435050	FLYWEIGHT	2	INCL. ITEMS W/*
6*	9813450430	SHIM	A/R	
6-1*	9813450440	SHIM	A/R	
6-2*	9813450450	SHIM	A/R	
6-3*	5157490090	SHIM	A/R	
6-4*	5157490100	SHIM	A/R	
6-5*	5157490110	SHIM	A/R	
6-6*	5157490680	SHIM	A/R	
6-7*	5157490690	SHIM	A/R	
6-8*	5157490700	SHIM	A/R	
6-9*	5157490710	SHIM	A/R	
7*	9813450720	TIMER SPRING	2	
11*	9813453380	WASHER	1	
12*	9813453250	SHIM	A/R	
12-1*	9813453260	SHIM	A/R	
12-2*	9813453400	SHIM	A/R	
12-3*	9813453270	SHIM	A/R	
12-4*	9813453280	SHIM	A/R	
12-5*	9813453290	SHIM	A/R	
12-6*	9813453300	SHIM	A/R	
12-7*	9813453310	SHIM	A/R	
12-8*	9813453320	SHIM	A/R	
13*	5157490070	WASHER	1	
14*	9813450520	PLATE	1	
15*	9813453060	NUT	1	
17*	5125240660	GEAR	1	
20-1*	5156190480	LOCK WASHER	1	
21*	1156190010	NUT	1	
26*	5157490080	BOLT	6	
27*	9813433050	FLANGE	1	
28*	5157490280	HOLDER	1	

ISUZU C240 --- NOZZLE HOLDER COMP. ASSY.

NOZZLE HOLDER COMP. ASSY.



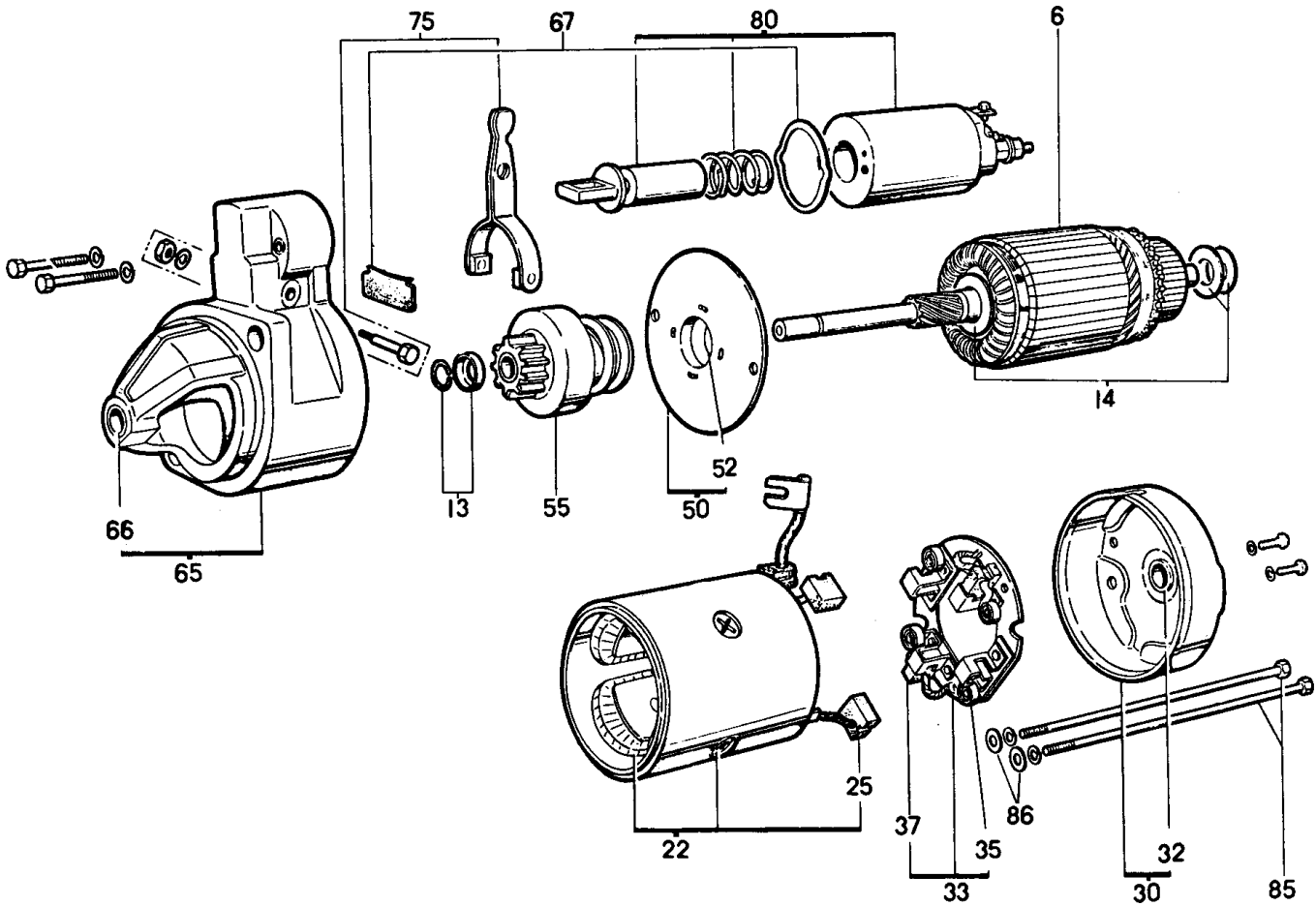
ISUZU C240 --- NOZZLE HOLDER COMP. ASSY.

NOZZLE HOLDER COMP. ASSY.

<u>NO.</u>	<u>PART NO.</u>	<u>ITEM</u>	<u>QTY.</u>	<u>REMARKS</u>
5	5153410020	PUSH ROD	4	INCL. ITEMS W/*
7*	5153430020	SPRING	4	
9*	9153396010	SCREW	4	
11*	5153340030	NUT	4	
12*	9153390560	GASKET	4	
13*	9153390570	WASHER	4	
21*	9153326030	NUT	4	
22*	9153520050	GASKET	4	
23*	9153510070	CONNECTOR	4	
31*	5153490010	BOLT	4	
32*	9095714080	GASKET	8	
38*	9153596010	SCREW	4	

ISUZU C240 ---STARTER COMP. ASSY.

STARTER COMP. ASSY.



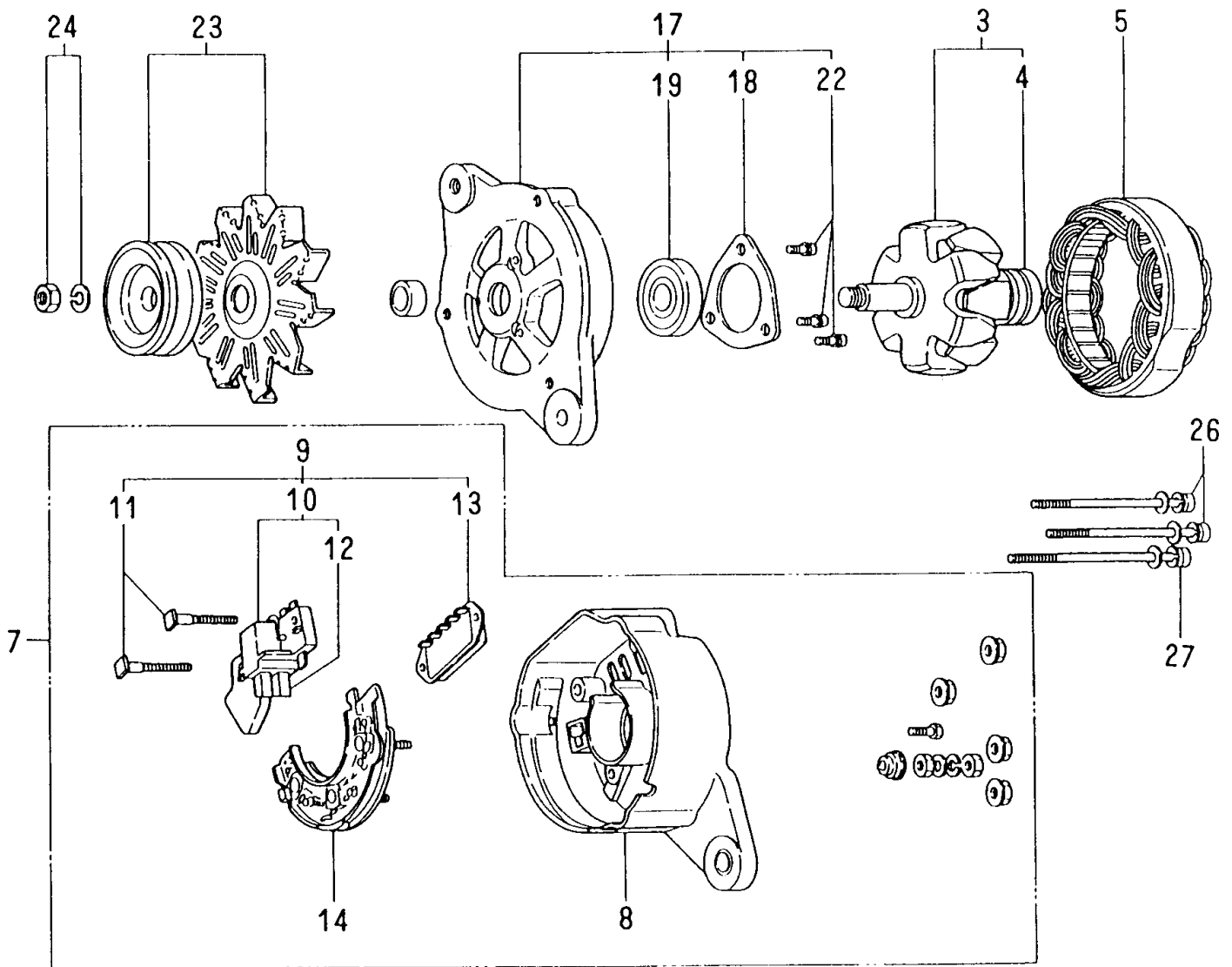
ISUZU C240 --- STARTER COMP. ASSY.

STARTER COMP. ASSY.

<u>NO.</u>	<u>PART NO.</u>	<u>ITEM</u>	<u>QTY.</u>	<u>REMARKS</u>
6	5811210160	ARMATURE ASSY.	1	INCL. ITEMS W/*
13*	5811291050	PINION STOPPER	1	
14*	5811290030	WASHER SET	1	
22*	5811120100	FIELD COIL ASSY.	1	INCL. ITEM W/>
25*>	5811160480	BRUSH, +	1	
30*	5811150130	REAR COVER ASSY.	1	INCL. ITEM W/%
32*%	5811190120	REAR METAL	1	
33*	5811160180	BRUSH HOLDER	1	INCL. ITEMS W/@
35*@	5811170060	BRUSH SPRING	4	
37*@	5811160490	BRUSH, -	2	
50*	5811190130	BRACKET ASSY.	1	INCL. ITEM W/&
52*&	9821121340	CENTER METAL	1	
55*	5811230070	CLUTCH ASSY.	1	
65*	5811130170	GEAR CASE ASSY.	1	INCL. ITEM W/#
66*#	5811190260	FRONT METAL	1	
67*	5811290680	DUST COVER	1	
75*	5811270130	SHIFT LEVER ASSY.	1	
80*	5811510290	MAGNETIC SWITCH ASSY.	1	
85*	5811290710	BOLT	2	
86*	5811290730	WASHER	2	

ISUZU C240 --- ALTERNATOR COMP. ASSY.

ALTERNATOR COMP. ASSY. (OCT. 1992~)



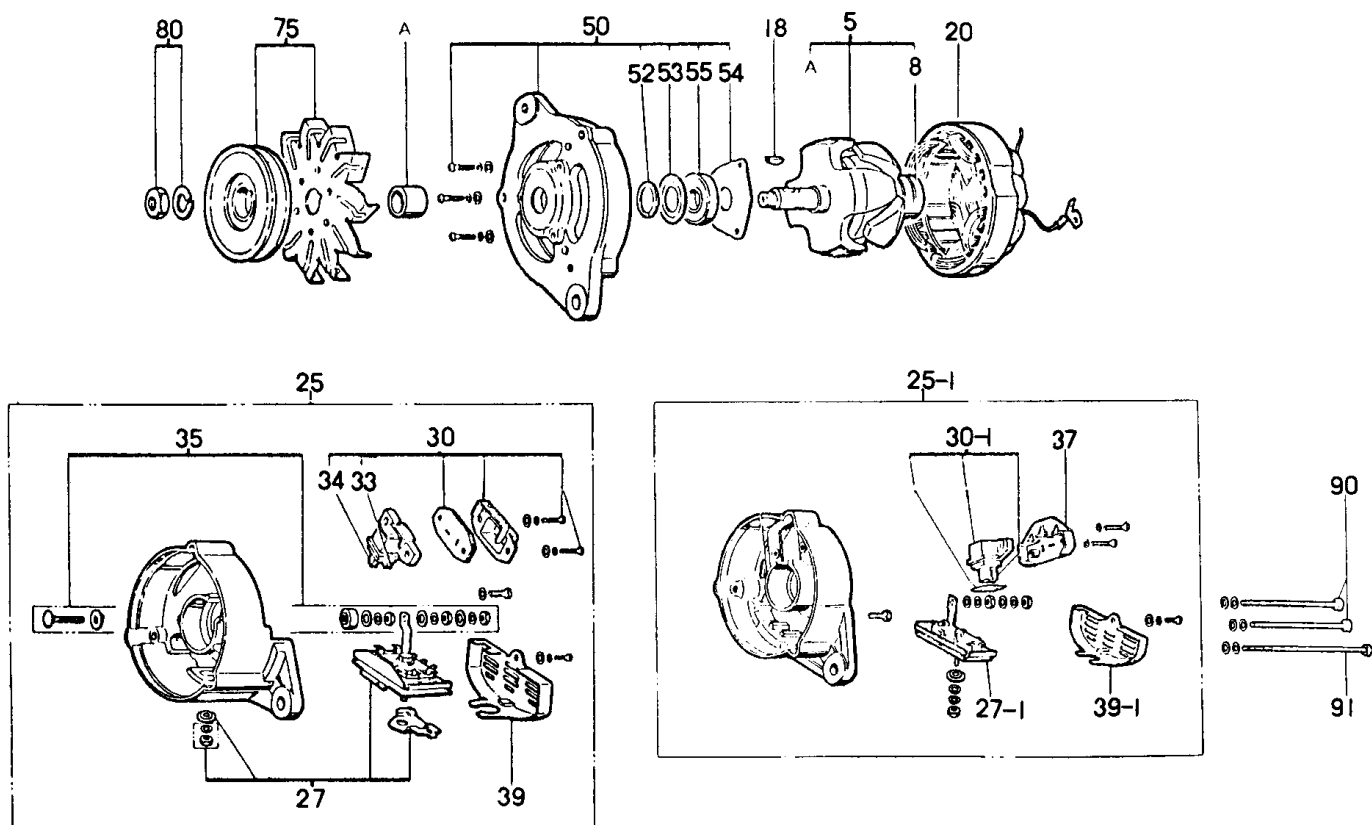
ISUZU C240 --- ALTERNATOR COMP. ASSY.

ALTERNATOR COMP. ASSY. (OCT. 1992~)

<u>NO.</u>	<u>PART NO.</u>	<u>ITEM</u>	<u>QTY.</u>	<u>REMARKS</u>
3	5812210630	ROTOR ASSY.	1	INCL. ITEMS W/* AND W/>
4*>	9000901810	BALL BEARING	1	
5*	5812110580	STRATOR ASSY.	1	
7*	5812141310	REAR COVER ASSY.	1	INCL. ITEMS W/#
8*#	5812141320	REAR COVER	1	
9*#	5812190360	BRUSH REGULATOR	1	INCL. ITEMS W/%
10*#%	5812150460	BRUSH ASSY.	1	
11*#%	5812291660	BOLT	2	
12*#%	5812150400	BRUSH	2	
13*#%	5812700040	REGULATOR ASSY.	1	
14*#	5812620050	RECTIFIER	1	
17*	5812130430	FRONT COVER ASSY.	1	INCL. ITEMS W/&
18*&	5812290290	RETAINER	1	
19*&	5098000870	BALL BEARING	1	
22*&	5812291650	SCREW KIT	1	
23*	5812220760	PULLEY ASSY.	1	
24*	9822350150	NUT	1	
26*	5812291820	BOLT	2	
27*	5812291830	BOLT	1	

ISUZU C240 ---ALTERNATOR COMP. ASSY.

ALTERNATOR COMP. ASSY. (BEFORE OCT. 1992)



ISUZU C240 --- ALTERNATOR COMP. ASSY.

ALTERNATOR COMP. ASSY. (BEFORE OCT. 1992)

<u>NO.</u>	<u>PART NO.</u>	<u>ITEM</u>	<u>QTY.</u>	<u>REMARKS</u>
5	5812210100	ROTOR ASSY.	1	INCL. ITEMS W/*
8*	9000901810	BALL BEARING	1	
18*	9822250270	KEY	1	
20*	5812110090	STRATOR ASSY.	1	
25*	5812140010	COVER ASSY.	1	INCL. ITEMS W/#
27*#	9822316190	RECTIFIER ASSY.	1	
30*#	5812150010	HOLDER ASSY.	1	
33*#	9822316170	BRUSH	1	
34*#	9822316180	BRUSH	1	
35*#	9822350700	BOLT ASSY.	1	
39*#	9822319040	RECTIFIER COVER	1	
50*	9822313080	FRONT COVER ASSY.	1	INCL. ITEMS W/&
52*&	9822158230	PACKING	1	
53*&	9822158240	RETAINER	1	
54*&	9822159170	RETAINER BRIDGE	1	
55*&	9000901820	FRONT BALL BEARING	1	
75*	5812220140	PULLEY ASSY.	1	
80*	9822350740	NUT	1	
90*	9822350720	BOLT	2	L=85
91*	9822350730	BOLT	2	L=95

PAYMENT TERMS

Terms of payment for parts are net 10 days.

FREIGHT POLICY

All parts orders will be shipped collect or prepaid with the charges added to the invoice. All shipments are F.O.B. point of origin. Multiquip's responsibility ceases when a signed manifest has been obtained from the carrier, and any claim for shortage or damage must be settled between the consignee and the carrier.

MINIMUM ORDER

The minimum charge for orders from Multiquip is \$15.00 net. Customers will be asked for instructions regarding handling of orders not meeting this requirement.

RETURNED GOODS POLICY

Return shipments will be accepted and credit will be allowed, subject to the following provisions:

1. A Returned Material Authorization must be approved by Multiquip prior to shipment.
2. To obtain a Return Material Authorization, a list must be provided to Multiquip Parts Sales that defines item numbers, quantities, and descriptions of the items to be returned.
 - a. The parts numbers and descriptions must match the current parts price list.
 - b. The list must be typed or computer generated.
 - c. The list must state the reason(s) for the return.
 - d. The list must reference the sales order(s) or invoice(s) under which the items were originally purchased.
 - e. The list must include the name and phone number of the person requesting the RMA.
3. A copy of the Return Material Authorization must accompany the return shipment.

4. Freight is at the sender's expense. All parts must be returned freight prepaid to Multiquip's designated receiving point.
5. Parts must be in new and resalable condition, in the original Multiquip package (if any), and with Multiquip part numbers clearly marked.
6. The following items are not returnable:
 - a. Obsolete parts. (If an item is listed in the parts price book as being replaced by another item, it is obsolete.)
 - b. Any parts with a limited shelf life (such as gaskets, seals, "O" rings, and other rubber parts) that were purchased more than six months prior to the return date.
 - c. Any line item with an extended dealer net price of less than \$5.00.
 - d. Special order items.
 - e. Electrical components.
 - f. Paint, chemicals, and lubricants.
 - g. Decals and paper products.
 - h. Items purchased in kits.
7. The sender will be notified of any material received that is not acceptable.
8. Such material will be held for 5 working days from notification, pending instructions. If a reply is not received within 5 days, the material will be returned to the sender at his expense.
9. Credit on returned parts will be issued at dealer net price at time of the original purchase, less a 15% restocking charge.
10. In cases where an item is accepted for which the original purchase document can not be determined, the price will be based on the list price that was effective twelve months prior to the RMA date.
11. Credit issued will be applied to future purchases only.

PRICING AND REBATES

Prices are subject to change without prior notice. Price changes are effective on a specific date and all orders received on or after that date will be billed at the revised price. Rebates for price declines and added charges for price increases will not be made for stock on hand at the time of any price change.

Multiquip reserves the right to quote and sell direct to Government agencies, and to Original Equipment Manufacturer accounts who use our products as integral parts of their own products.

SPECIAL EXPEDITING SERVICE

A \$20.00 to \$50.00 surcharge will be added to the invoice for special handling including bus shipments, insured parcel post or in cases where Multiquip must personally deliver the parts to the carrier.

LIMITATIONS OF SELLER'S LIABILITY

Multiquip shall not be liable here under for damages in excess of the purchase price of the item with respect to which damages are claimed, and in no event shall Multiquip be liable for loss of profit or good will or for any other special, consequential or incidental damages.

LIMITATION OF WARRANTIES

No warranties, express or implied, are made in connection with the sale of parts or trade accessories nor as to any engine not manufactured by Multiquip. Such warranties made in connection with the sale of new, complete units are made exclusively by a statement of warranty packaged with such units, and Multiquip neither assumes nor authorizes any person to assume for it any other obligation or liability whatever in connection with the sale of its products. A part from such written statement of warranty, there are no warranties, express, implied or statutory, which extend beyond the description of the products on the face hereof.

PARTS AND OPERATION MANUAL

HERE'S HOW TO GET HELP

*PLEASE HAVE THE MODEL AND SERIAL NUMBER
ON-HAND WHEN CALLING*

PARTS DEPARTMENT

800/427-1244 or 310/537-3700

FAX: 800/672-7877 or 310/637-3284

SERVICE DEPARTMENT

800/835-2551 or 310/537-3700

FAX: 310/638-8046

WARRANTY DEPARTMENT

800/835-2551 or 310/537-3700

FAX: 310/638-8046

MAIN

800/421-1244 or 310/537-3700

FAX: 310/537-3927

© COPYRIGHT 2001, MULTIQIP INC.



MULTIQIP INC.

18910 WILMINGTON AVE.
CARSON, CALIFORNIA 90746
310-537-3700
800-421-1244
FAX: 310-537-3927

PARTS DEPARTMENT:

800-427-1244
FAX: 800-672-7877

SERVICE DEPARTMENT:

800-835-2551
FAX: 310-638-8046

E-mail: mq@multiquip.com • **www:** www.multiquip.com

Free Manuals Download Website

<http://myh66.com>

<http://usermanuals.us>

<http://www.somanuals.com>

<http://www.4manuals.cc>

<http://www.manual-lib.com>

<http://www.404manual.com>

<http://www.luxmanual.com>

<http://aubethermostatmanual.com>

Golf course search by state

<http://golfingnear.com>

Email search by domain

<http://emailbydomain.com>

Auto manuals search

<http://auto.somanuals.com>

TV manuals search

<http://tv.somanuals.com>