

# OPERATION AND PARTS MANUAL

# STOW

A DIVISION OF MULTIQUIP INC.

## COLLOMIX Hand Mixers

**CX100HF**  
**CX100HFE**  
**CX300HF**  
**CX400HFE**  
**CX600HF**  
**CX600HFE**

Revision #3 (03/11/08)

To find the latest revision of this  
publication, visit our website at:  
[www.multiquip.com](http://www.multiquip.com)



**THIS MANUAL MUST ACCOMPANY THE EQUIPMENT AT ALL TIMES.**

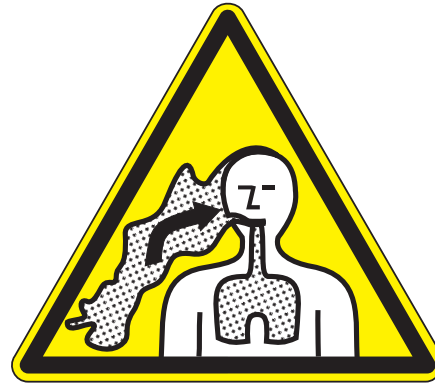
## **WARNING**



### **SILICOSIS WARNING**

Grinding/cutting/drilling of masonry, concrete, metal and other materials with silica in their composition may give off dust or mists containing crystalline silica. Silica is a basic component of sand, quartz, brick clay, granite and numerous other minerals and rocks. Repeated and/or substantial inhalation of airborne crystalline silica can cause serious or fatal respiratory diseases, including silicosis. In addition, California and some other authorities have listed respirable crystalline silica as a substance known to cause cancer. When cutting such materials, always follow the respiratory precautions mentioned above.

## **WARNING**



### **RESPIRATORY HAZARDS**

Grinding/cutting/drilling of masonry, concrete, metal and other materials can generate dust, mists and fumes containing chemicals known to cause serious or fatal injury or illness, such as respiratory disease, cancer, birth defects or other reproductive harm. If you are unfamiliar with the risks associated with the particular process and/or material being cut or the composition of the tool being used, review the material safety data sheet and/or consult your employer, the material manufacturer/supplier, governmental agencies such as OSHA and NIOSH and other sources on hazardous materials. California and some other authorities, for instance, have published lists of substances known to cause cancer, reproductive toxicity, or other harmful effects.

Control dust, mist and fumes at the source where possible. In this regard use good work practices and follow the recommendations of the manufacturers or suppliers, OSHA/NIOSH, and occupational and trade associations. Water should be used for dust suppression when wet cutting is feasible. When the hazards from inhalation of dust, mists and fumes cannot be eliminated, the operator and any bystanders should always wear a respirator approved by NIOSH/MSHA for the materials being used.

# CX-HF HAND MIXERS — TABLE OF CONTENTS

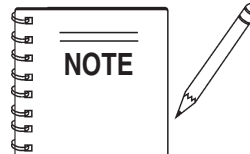
## STOW CX-HF SERIES HAND MIXERS

|   |       |
|---|-------|
| Silicosis/Respiratory Warnings .....        | 2     |
| Table Of Contents .....                     | 3     |
| Parts Ordering Procedures .....             | 4     |
| Safety Message Alert Symbols .....          | 5     |
| Rules For Safe Operation .....              | 6-7   |
| Symbols Used .....                          | 8     |
| Specifications .....                        | 9     |
| General Information .....                   | 10-11 |
| Components .....                            | 12    |
| Setup .....                                 | 13    |
| Operation .....                             | 14    |
| Maintenance .....                           | 15    |
| Explanation Of Code In Remarks Column ..... | 16    |
| Suggested Spare Parts .....                 | 17    |

## Component Drawings

|                              |       |
|------------------------------|-------|
| Mixer Assembly (CX100) ..... | 18-21 |
| Mixer Assembly (CX300) ..... | 22-25 |
| Mixer Assembly (CX400) ..... | 26-29 |
| Mixer Assembly (CX600) ..... | 30-33 |

|  |    |
|--|----|
| Terms and Conditions of Sale - Parts ..... | 34 |
|--|----|



***Specification and part number  
are subject to change without  
notice.***

# CX-HF SERIES HAND MIXERS — PARTS ORDERING PROCEDURES

## When ordering parts, please supply the following information:

- Dealer account number
- Dealer name and address
- Shipping address (if different than billing address)
- Return fax number
- Applicable model number
- Quantity, part number and description of each part
- Specify preferred method of shipment:
  - ✓ FedEx or UPS Ground
  - ✓ FedEx or UPS Second Day or Third Day
  - ✓ FedEx or UPS Next Day
  - ✓ Federal Express Priority One
  - ✓ DHL
  - ✓ Truck

*Note: Unless otherwise indicated by customer, all orders are treated as "Standard Orders", and will ship within 24 hours. We will make every effort to ship "Air Shipments" the same day that the order is received, if prior to 2PM west coast time. "Stock Orders" must be so noted on fax or web forms.*



## Here's how to get help...

*Please have the model and serial number on hand when calling.*

### STOW MAIN OFFICE

18910 Wilmington Ave. 800-421-1244  
 Carson, CA 90746 FAX: 310-537-3927  
 Email: stow@stowmfg.com  
 Internet: www.stowmfg.com

### SALES DEPARTMENT

310-661-4242 Fax: 310-604-9237  
 877-289-7869 (877-BUY-STOW)

### PARTS DEPARTMENT

800-427-1244 FAX: 800-672-7877  
 310-537-3700 FAX: 310-637-3284

### SERVICE DEPARTMENT

800-478-1244 FAX: 310-537-4259  
 310-537-3700

### TECHNICAL ASSISTANCE

800-478-1244 FAX: 310-631-5032

### WARRANTY DEPARTMENT

800-421-1244, EXT. 279 FAX: 310-537-1173  
 310-537-3700, EXT. 279

## Place Your Parts Order Via Web or Fax For Even More Savings!

*(Domestic USA Dealers Only)*

### Extra Discounts!

All parts orders which include complete part numbers and are received by our automated web parts order system, or by fax qualify for the following extra discounts:

| Ordered via | Standard orders | Stock orders (\$750 list and above) |
|-------------|-----------------|-------------------------------------|
| Fax         | 3%              | 10%                                 |
| Web         | 5%              | 10%                                 |

### Special freight allowances when you order 10 or more line items via Web or Fax! \*\*

FedEx Ground Service **at no charge for freight**  
 No other allowances on freight shipped by any other carrier.

\*\*Common nuts, bolts and washers (all items under \$1.00 list price) do not count towards the 10+ line items.

NOTE: DISCOUNTS ARE SUBJECT TO CHANGE

# STOW

A DIVISION OF MULTIQUIP INC.  
**STOW CONSTRUCTION EQUIPMENT**  
 A DIVISION OF MULTIQUIP INC.

POST OFFICE BOX 6254 CARSON, CA 90749  
 888-252-STOW [888-252-7869] 310-537-3700  
 FAX: 310-537-1986 FAX: 800-556-1986  
 E-MAIL: stow@multiquip.com INTERNET: www.stowmfg.com

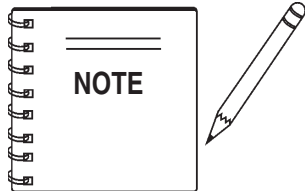
## Direct TOLL-FREE access to our Parts Department:

Toll-free nationwide — 800-427-1244  
 Toll-free FAX — 800-6-PARTS-7 (800/672-7877)

# CX-HF SERIES HAND MIXERS — SAFETY MESSAGE ALERT SYMBOLS

## FOR YOUR SAFETY AND THE SAFETY OF OTHERS!

Safety precautions should be followed at all times when operating this equipment. Failure to read and understand the Safety Messages and Operating Instructions could result in injury to yourself and others.



This Manual has been developed to provide complete instructions for the safe and efficient operation of the **STOW CX-HF SERIES HAND MIXERS**.

**Before using this mixer, ensure that the operating individual has read and understands all instructions in this manual.**

## SAFETY MESSAGE ALERT SYMBOLS

The three (3) Safety Messages shown below will inform you about potential hazards that could injure you or others. The Safety Messages specifically address the level of exposure to the operator, and are preceded by one of three words: **DANGER**, **WARNING**, or **CAUTION**.

### **DANGER**

You **WILL** be **KILLED** or **SERIOUSLY** injured if you **DO NOT** follow directions.

### **WARNING**

You **CAN** be **KILLED** or **SERIOUSLY** injured if you **DO NOT** follow directions.

### **CAUTION**

You **CAN** be **INJURED** if you **DO NOT** follow directions.

Potential hazards associated with the mixer operation will be referenced with Hazard Symbols which appear throughout this manual, and will be referenced in conjunction with Safety Message Alert Symbols.

## HAZARD SYMBOLS

### **Rotating Parts**



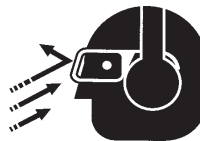
**NEVER** operate equipment with covers or guards removed. Keep fingers, hands, hair and clothing away from all moving parts to prevent injury.

### **Accidental Starting**



**OFF** **ALWAYS** place power ON/OFF switch in the **OFF** position when the mixer is not in use.

### **Sight and Hearing hazard**



**ALWAYS** wear approved eye and hearing protection.

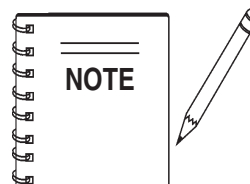
### **Respiratory Hazard**



**ALWAYS** wear approved respiratory protection.

### **Equipment Damage Messages**

Other important messages are provided throughout this manual to help prevent damage to your mixer, other property, or the surrounding environment.



This mixer, other property, or the surrounding environment could be damaged if you do not follow instructions.

# CX-HF SERIES HAND MIXERS — RULES FOR SAFE OPERATION

## DANGER

Failure to follow instructions in this manual may lead to serious injury or even death! This equipment is to be operated by trained and qualified personnel only! This equipment is for industrial use only.

The following safety guidelines should always be used when operating the Multiquip CX-HF Series Hand Mixers.

### GENERAL SAFETY

- **DO NOT** operate or service this equipment before reading this entire manual.
- **ALWAYS** be sure the operator is familiar with proper safety precautions and operations techniques before using equipment.
- This equipment should not be operated by persons under 18 years of age.
- **NEVER** operate this equipment without proper protective clothing, shatterproof glasses, steel-toed boots and other protective devices required by the job. Regulations require that close-fitting clothing be worn.



- **NEVER** operate this equipment when not feeling well due to fatigue, illness or taking medicine.
- **NEVER** operate this equipment under the influence of drugs or alcohol.



- **ALWAYS** wear proper respiratory (mask) hearing and eye protection equipment when operating the mixer. If the sound pressure level exceeds 85 dB (A), use ear protection.
- **NEVER** use accessories, attachments, or replacement parts which are not recommended by Multiquip for this equipment. Damage to the equipment and/or injury to user may result.
- Manufacturer does not assume responsibility for any accident due to equipment modifications.



- Keep work area clean and well-lit. Keep area around the mixer **clear of obstructions** which could cause persons to fall onto **moving parts**. Dark and cluttered work areas can cause accidents.
- **NEVER** operate the mixer in an **explosive** atmosphere such as in the presence of flammable liquids, gases or dust. Sparks from the equipment may ignite dust or fumes.
- **KEEP** bystanders, children, and visitors away while operating a power tool. Distractions can cause loss of control.
- **ALWAYS** store equipment properly when it is not being used. Equipment should be stored in a clean, dry location out of the reach of children.
- **NEVER** leave the mixer unattended. Turn off electric motor when unattended.
- **CAUTION** must always be observed while servicing this mixer. Rotating parts can cause injury if contacted.
- Unauthorized equipment modifications will void all warranties.
- **NEVER** allow extension cord to come into contact with water or fluids.
- Ensure that any extension cable is protected against damage and not liable to be tripped over or trapped underneath the mixer.
- **DO NOT** allow extension cord to come into contact with water or fluids.
- Mixer must be used only for its intended purpose.
- This mixer is not suitable for the mixing of **flammable** or **explosive** substances.
- **ALWAYS** ensure mixer is on level ground before mixing.
- **ALWAYS** disconnect AC power plug from power source before making adjustments, changing accessories, moving or storing the mixer.
- If mixer is equipped with an electric motor, operate electric motor only at the specified voltage indicated on the nameplate.
- Make sure the **OFF/ON** power switch on the electric motor is **always** in the **OFF** position before inserting the mixer's power plug into an AC receptacle (electric model only).
- Servicing of equipment must be performed only by qualified repair personnel.
- Whenever necessary, replace nameplate, operation and safety decals when they become difficult to read.
- **ALWAYS** check the machine for loosened threads or bolts before starting.

# CX-HF SERIES HAND MIXERS — RULES FOR SAFE OPERATION

- **DO NOT** spray water onto electric motor. Do not expose equipment to rain or wet conditions. Water entering the equipment will increase the risk of electric shock.
- Double-insulated tools are equipped with a polarized plug (one blade is wider than the other). This plug will fit on a polarized outlet only one way. If the plug does not fit fully in the outlet, reverse the plug. If it still does not fit, contact a qualified electrician to install a polarized outlet. Do not change the plug in any way. Double insulation eliminates the need for the three-wire grounder power cord and grounded power supply system.
- **AVOID** body contact with grounded surfaces such as pipes, radiators, ranges, and refrigerators. There is an increased risk of electric shock if your body is grounded.
- When operating a power tool outside, use an outdoor extension cord marked "W-A" or "W". These cords are rated for outdoor use and reduce the risk of electric shock.
- Remove adjusting keys or wrenches before turning the tool on. A wrench or a key that is left attached to a rotating part of the equipment may result in personal injury.
- Do not overreach. Keep proper footing and balance at all times. Proper footing and balance enables better control of the equipment in unexpected situations.
- Do not force any tool. Use correct tool for your application. The correct tool will do the job better and safer at the rate for which it is designed.
- Do not use the equipment if switch does not turn on or off. Any equipment that cannot be controlled with a switch is dangerous and must be repaired.
- Check for misalignment or binding of moving parts, breakage of parts, and any other condition that may affect the operation of the equipment. If damaged, have the equipment serviced before using. Poorly-maintained equipment can cause accidents.
- Do not use the equipment in an environment with potentially explosive atmosphere. Do not mix any solvents or solvent-containing substances with a flash point of below 69° F (21° C).
- Make sure that the current voltage indicated on the rating plate corresponds to the main power supply.
- Position the cord clear of the rotating mixing paddle. Do not wrap the cord around arm, wrist or other body parts. This can cause injury.
- Start up or run down the machine in the mixing container only. Make sure that the mixing container is placed in a firm and secure position.

## Maintenance Safety

- **NEVER** lubricate components or attempt service on a running machine.
- **ALWAYS** allow the machine a proper amount of time to cool before servicing.
- Keep the machinery in proper running condition.
- Fix damage to the machine immediately and always replace broken parts, or missing decals.
- Dispose of hazardous waste properly.
- **DO NOT** use food or plastic containers to dispose of hazardous waste.

## Emergencies

- **ALWAYS** know the location of the nearest **fire extinguisher** and **first aid kit**.







- In emergencies **always** know the location of the nearest phone or **keep a phone on the job site**. Also know the phone numbers of the nearest **ambulance, doctor** and **fire department**. This information will be invaluable in the case of an emergency.



## CX-HF SERIES HAND MIXERS — SYMBOLS USED

Some of the following symbols may be used on this equipment. Familiarize yourself with them and their meaning. Proper interpretation of these symbols will allow you to operate the equipment better and safer.

| Symbols   | Name                                    | Designation/Explanation                        |
|---|---|--|
| A   | Amperes                                 | Current  |
| V   | Volts                                   | Voltage (potential)                            |
| Hz  | Hertz                                   | Frequency (cycles per second)                  |
| W   | Watt                                    | Power  |
| kg  | Kilograms                               | Weight   |
| min   | Minutes                                 | Time   |
| S   | Seconds                                 | Time   |
| ∅   | Diameter                                | Size of mixer paddle                           |
| $n_o$   | No load speed                           | Rotational speed, at no load                   |
| .../min   | Revolutions or reciprocation per minute | Revolutions per minute                         |
|  | Arrow                                   | Action in the direction of the arrow           |
| ~   | Alternating current                     | Type or characteristic of current              |
|  | Class II protection                     | Designates double insulated construction tools |
|  | Earthing terminal                       | Grounding terminal                             |
|  | Warning symbol                          | Alerts users to warning messages               |



This symbol designates that this tool is listed to UL standards and Canadian standards by ETL.



# CX-HF SERIES HAND MIXERS — SPECIFICATIONS

## Table 1. CX-HF Series Specifications

| Model                            | CX100HF/CX100HFE                             | CX300HF                                      | CX400HFE                                     | CX600HF/CX600HFE                             |
|----------------------------------|--|--|--|--|
| Voltage                          | 110-120 V / 230 V                            | 110-120 V                                    | 230 V  | 110-120 V/230V                               |
| Watts                            | 800/1,000                                    | 800  | 1,400  | 1,400/1,600                                  |
| HP                               | 1.1  | 1.1  | 1.8  | 1.7/2.2                                      |
| Amps                             | 7.2/4.4                                      | 7.2  | 6.0  | 12.7/7.1                                     |
| Gears                            | 1  | 2  | 2  | 2  |
| RPM Under Load Gear 1            | 0-790/0-670                                  | 0-470  | 0-500  | 0-490/0-420                                  |
| RPM Under Load Gear 2            | N/A  | 0-890  | 0-850  | 0-620/0-630                                  |
| Recommended Mixing Tool Diameter | 4.75 inches (120 mm)                         | 4.75 inches (120 mm)                         | 5.5 inches (140 mm)                          | 5.5 inches (140 mm)                          |
| Spindle Neck Diameter            | 2 inches (51 mm)                             | 2 inches (51 mm)                             | 2 inches (51 mm)                             | 2 inches (51 mm)                             |
| Sound Pressure Level             | 84 dB(A)                                     | 84 dB(A)                                     | 89 dB(A)                                     | 89 dB(A)                                     |
| Noise Emission Level             | 97 dB(A)                                     | 97 dB(A)                                     | 102 dB(A)                                    | 102 dB(A)                                    |
| Hand-Arm Vibration               | < 8.2 ft <sup>2</sup> (0.76 m <sup>2</sup> ) | < 8.2 ft <sup>2</sup> (0.76 m <sup>2</sup> ) | < 8.2 ft <sup>2</sup> (0.76 m <sup>2</sup> ) | < 8.2 ft <sup>2</sup> (0.76 m <sup>2</sup> ) |
| Electrical Protection            | Double-Insulated                             | Double-Insulated                             | Double-Insulated                             | Double-Insulated                             |
| Mixing Capacity                  | 1-10 gallons<br>(4-38 liters)                | 1-25 gallons<br>(4-95 liters)                | 1-25 gallons<br>(4-95 liters)                | 1-25 gallons<br>(4-95 liters)                |
| Weight                           | 17 lb (7.7 kg)                               | 21 lb (9.5 kg)                               | 21 lb (9.5 kg)                               | 21 lb (9.5 kg)                               |

# CX-HF SERIES HAND MIXERS — GENERAL INFORMATION

## Application

The Stow CX-HF Series Hand Mixers are designed for mixing liquid and power-based products such as paints, mortar, adhesives, plaster, and similar substances used in the building industry and building-related trades.

The right mixing tool should be selected depending on the consistency of the material and the quantity to be mixed.

If used properly, the hand mixer will provide years of safe and reliable service.

The CX-HF Series mixer is not to be used for the processing or preparation of food or similar products. The machine is also not suitable for mixing materials containing graphite powder, hydrochloric solutions or liquid manure. Mixing such materials can damage or destroy machine.

## Electrical

Make sure that the power being supplied to the motor corresponds to the voltage rating label on the motor. Supplying the wrong voltage to the electric motor will cause severe electrical damage to the motor.

## Extension Cables

The extension cable should be a 3-wire configuration that includes a ground wire that conforms to UL code. Choose the correct size of an extension cord as shown in Table 2. Remember **distance** affects the wire size of the extension cable.

Ensure that the extension cable is carefully laid out avoiding **wet areas**, **sharp edges** and locations where vehicles might run over it.

Unroll the extension cable fully or it will overheat and could catch fire. Make sure that all extension cable connections are dry and safe. Replace any defective or worn-out extension cable immediately.

TABLE 2. Extension Cord Sizes

| Ampere Rating Range | Volts | Length of Cord in Feet |         |         |         |         |         |
|---------------------|-------|------------------------|---------|---------|---------|---------|---------|
|                     | 115V  | 25 Ft.                 | 50 Ft.  | 100 Ft. | 150 Ft. | 200 Ft. | 250 Ft. |
|                     | 230V  | 50 Ft.                 | 100 Ft. | 200 Ft. | 300 Ft. | 400 Ft. | 500 Ft. |
| 0 - 2               |       | 18                     | 18      | 18      | 16      | 16      | 14      |
| 2 - 3               |       | 18                     | 18      | 16      | 14      | 14      | 12      |
| 3 - 4               |       | 18                     | 18      | 16      | 14      | 12      | 12      |
| 4 - 5               |       | 18                     | 18      | 14      | 12      | 12      | 10      |
| 5 - 6               |       | 18                     | 16      | 14      | 12      | 10      | 10      |
| 6 - 8               |       | 18                     | 16      | 12      | 10      | 10      | 8       |
| 8 - 10              |       | 18                     | 14      | 12      | 10      | 8       | 8       |
| 10 - 12             |       | 16                     | 14      | 10      | 8       | 8       | 6       |
| 12 - 14             |       | 16                     | 12      | 10      | 8       | 6       | 6       |
| 14 - 16             |       | 16                     | 12      | 10      | 8       | 6       | 6       |
| 16 - 18             |       | 14                     | 12      | 8       | 8       | 6       | 4       |
| 18 - 20             |       | 14                     | 12      | 8       | 6       | 6       | 4       |

# CX-HF SERIES HAND MIXERS — GENERAL INFORMATION

## Paddles

The CX-HF Series Hand Mixers can use different paddles depending on the application it will be used for. See table below for the available paddles.

| <b>Table 3. Paddles for CX-HF Series Mixers</b>  |                 |               |                       |              |                        |
|--|-----------------|---------------|-----------------------|--------------|------------------------|
| <b>Model</b>   | <b>Diameter</b> | <b>Length</b> | <b>Chucksize</b>      | <b>Mixes</b> | <b>Mixer Used With</b> |
| <b>FM Series — <i>Low Viscous Materials, Wallpaints, Lacquers</i></b><br>(Material Flow: from top to the bottom)   |                 |               |                       |              |                        |
| FM120HF  | 4 3/4"          | 23 1/4"       | 3/4" and<br>HEXAFIX®  | 65 lb        | CX100HF                |
| <b>LX Series — <i>Epoxy Resins, Adhesives &amp; all liquid materials</i></b><br>(Material Flow: from top to the bottom)  |                 |               |                       |              |                        |
| LX120HF  | 4 3/4"          | 23 1/4"       | 3/4" and<br>HEXAFIX®  | 40-65 lb     | CX100HF                |
| <b>WK Series — <i>Sticky, high viscous materials; adhesives, ready-mix plasters, fillers</i></b><br>(Material Flow: from bottom to the top)                            |                 |               |                       |              |                        |
| WK120HF  | 4 3/4"          | 23 1/4"       | 3/4" and<br>HEXAFIX®, | 20-30 lb     | CX100HF                |
| WK140HF  | 1/2"            | 23 1/4"       | 3/4"and<br>HEXAFIX®,  | 30-65 lb     | CX300HF                |
| <b>MK Series — <i>for high viscosity materials; mortars, epoxy-material</i></b><br>(Material Flow: from bottom to the top)   |                 |               |                       |              |                        |
| MK120HF  | 4 3/4"          | 23 1/4"       | 3/4" and<br>HEXAFIX®  | 30-55 lb     | CX100HF                |
| MK140HF  | 5 1/2"          | 23 1/4"       | 3/4" and<br>HEXAFIX®  | 50-90 lb     | CX300HF                |
| MK160HF  | 6 1/4"          | 23 1/4"       | 3/4" and<br>HEXAFIX®  | 65-130 lb    | CX600HF                |
| <b>MKN Series — <i>for low viscosity materials; paints, materials w/ith flaky-fibrous &amp; gypsum based components</i></b><br>(Material Flow: from top to the bottom) |                 |               |                       |              |                        |
| MKN120HF   | 4 3/4"          | 23 1/4"       | 3/4" and<br>HEXAFIX®  | 30-55 lb     | CX300HF                |
| MKN140HF   | 5 1/2"          | 23 1/4"       | 3/4" and<br>HEXAFIX®  | 50-90 lb     | CX600HF                |

## CX-HF SERIES HAND MIXERS — COMPONENTS

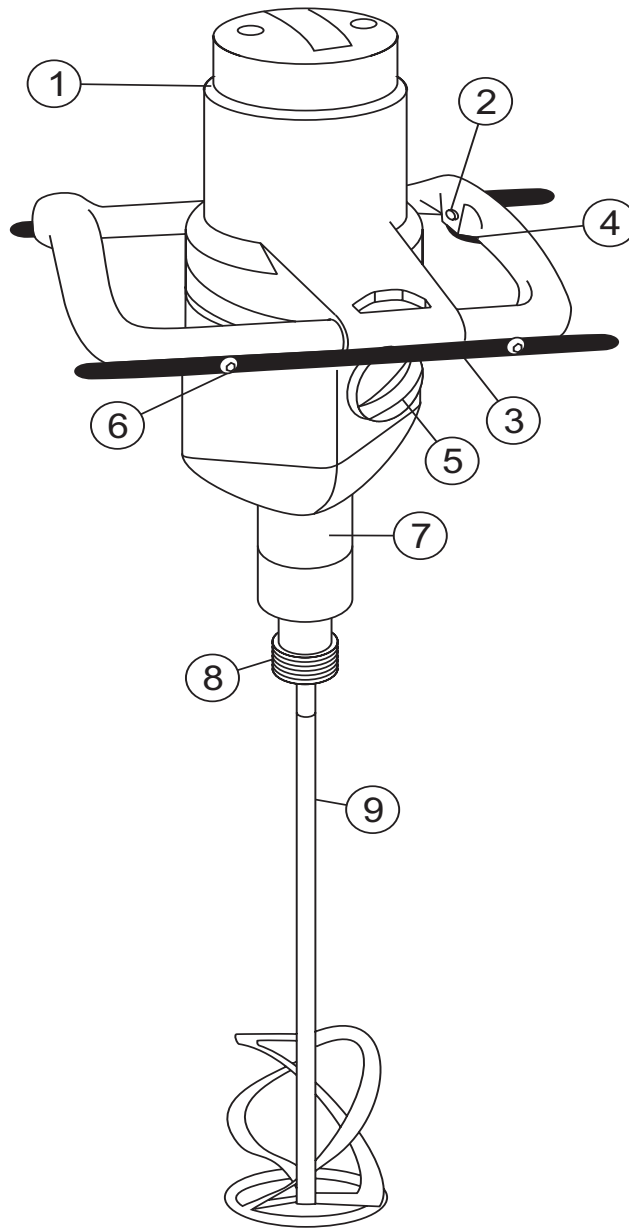


Figure 1. Mixer Major Components

Refer to Figure 1 for the location of the following mixer components.

1. **Ventilation Slits** — These openings allow ventilation to the unit to prevent overheating.
2. **Safety Lock-off Button** — Prevents the unit from being operated accidentally.
3. **Protection Frame** — Protects the machine casing from dirt and breakage.
4. **ON/OFF Switch with Speed Control** — Turns the power on and off and regulates the mixing speed.

5. **Gear Selection Lever** — This lever is used to select the gear (slow or fast) at which the unit is operating (not applicable on CX100HF/CX100HFE).
6. **Protection Frame Fastening Screws** — Holds the protection frame securely in place.
7. **Machine Neck** — The mixing tool is attached to the machine neck.
8. **HEXAFIX® Quick Action Coupling** — This connector attaches the mixing tool to the machine neck.
9. **Mixing Tool** — This tool is used to mix chemical building products.

# CX-HF SERIES HAND MIXERS — SETUP

## Assembly

Before using the hand mixer, the following steps need to be performed.

1. Insert the mixing tools (see Table 3 for the different mixing tools/paddles available) into the HEXAFIX® coupling as far as necessary to lock the tools in place, automatically (see Figure 2).

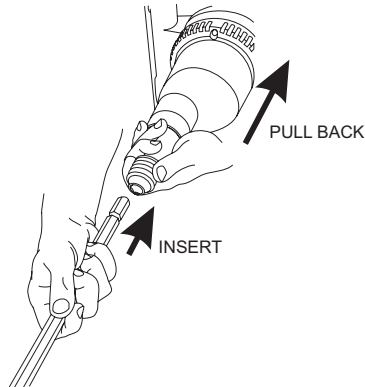


Figure 2. Inserting Mixing Tools

## Electric Connections

### CAUTION

**DO NOT** attempt to operate the mixer until the Safety, General Information and Set-Up sections have been read and understood.

### CAUTION

Before plugging the power cable, check and make sure that the ON/OFF switch operates properly and returns to the OFF position when released.

1. Connect the hand mixer power cable to a 110V or 230V, 50/60 Hz power source, depending on the unit you have. Make sure you conform to the specifications on the nameplate of the mixer.

2. A 120V/230V power supply can also be used. Make sure that the power supply conforms to the specifications on the nameplate of the mixer. Voltage decrease of more than 10% will cause loss of power and overheating.
3. Use an extension cord (see Table 2) of adequate current carrying capacity. **NEVER** use a **worn** or **frayed** extension cord. Insert the electric motor's power plug into one end of the extension cord.

### DANGER

**NEVER** touch the power cord (Figure 3) with **wet hands** or while **standing in water** when it is connected to a power source. The possibility exists of electrical shock (electrocution) even death. **NEVER** spray water directly on the electric motor.

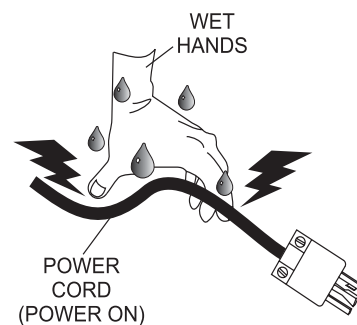
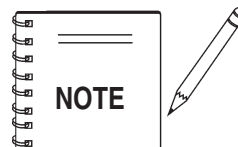


Figure 3. Extension Cord (Wet Hands)



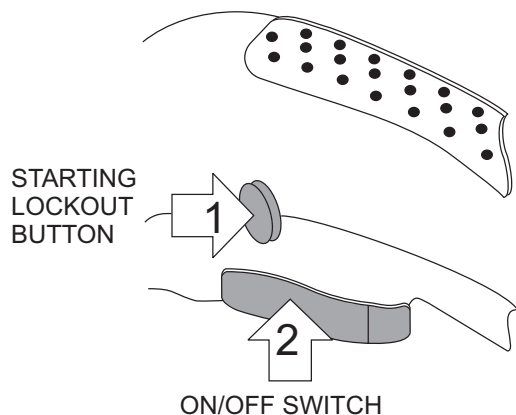
To prevent personnel from tripping over the extension cord, position the extension cord so that it lays flat and is not curled.

# CX-HF SERIES HAND MIXERS — OPERATION

## CAUTION

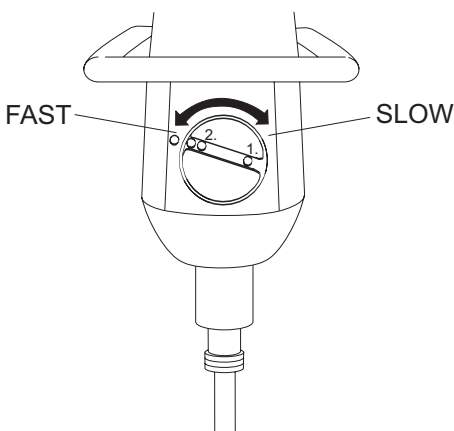
**ALWAYS** hold the machine with both hands while working.

1. To start, press the starting lockout button then press the ON/OFF switch (Figure 4). The integrated electronic controls will start the machine in a controlled speed.



**Figure 4. ON/OFF Switch**

2. To make the motor run faster, apply more pressure to the ON/OFF switch.
3. To change the maximum speed, first make sure that the power is off then turn the gear selection lever 180° (Figure 5). First gear is slow and second gear is fast. Turn only when machine is not in motion.



**Figure 5. Gear Selection Lever**

4. When submerging the mixing tool in the mixing material or when lifting out the mixing tool, always reduce the speed. When the mixing tool is fully submerged, increase the speed again to ensure that the motor is adequately cooled.
5. During mixing, guide the mixer around the mixing container (Figure 6). Continue mixing until all of the material is completely mixed.



**Figure 6. Mixing the Material**

6. To stop the mixer, release the ON/OFF switch.
7. Always clean the mixing tool after every use.

# CX-HF SERIES HAND MIXERS — MAINTENANCE

## CAUTION

**ALWAYS** disconnect the mixer from the power supply before cleaning, changing the mixing paddle or performing any maintenance.

## CAUTION

To assure product safety and reliability, repairs, maintenance, and adjustments should be performed by an authorized service center or qualified technician to prevent any misplaced wires and components that could cause serious hazards.

1. Clean the machine and mixing tool after every use.
2. Keep the quick-action coupling clean and free of dust. Apply grease to the hexagon mount regularly.
3. Keep the ventilation slits clean and free of foreign matter so that machine can be properly cooled.
4. Replace the carbon brushes when worn. The machine is equipped with self-deactivating carbon brushes. The machine will shut itself down when a certain level of wear is reached, indicating that carbon brushes should be replaced.
5. Clean and lubricate gear care yearly or whenever servicing requires that the gear case to be removed.

## Mixer Storage

For storage of the mixer for over 30 days, the following is recommended:

- Clean the mixer and mixing tool.
- Cover the mixer and place it a clean dry area, that is protected from harsh elements.

# EXPLANATION OF CODE IN REMARKS COLUMN

The following section explains the different symbols and remarks used in the Parts section of this manual. Use the help numbers found on the back page of the manual if there are any questions.

The contents and part numbers listed in the parts section are subject to change **without notice**. Multiquip does not guarantee the availability of the parts listed.

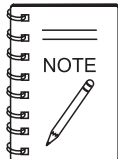
Sample Parts List:

| <u>NO.</u> | <u>PART NO.</u> | <u>PART NAME</u>     | <u>QTY.</u> | <u>REMARKS</u>      |
|------------|-----------------|----------------------|-------------|---------------------|
| 1          | 12345           | BOLT .....           | 1 .....     | INCLUDES ITEMS W/*  |
| 2*         |                 | WASHER, 1/4 IN. .... |             | NOT SOLD SEPARATELY |
| 2*         | 12347           | WASHER, 3/8 IN. ...  | 1 .....     | MQ-45T ONLY         |
| 3          | 12348           | HOSE .....           | A/R .....   | MAKE LOCALLY        |
| 4          | 12349           | BEARING .....        | 1 .....     | S/N 2345B AND ABOVE |

## NO. Column

**Unique Symbols** - All items with same unique symbol (\*, #, +, %, or >) in the number column belong to the same assembly or kit, which is indicated by a note in the "Remarks" column.

**Duplicate Item Numbers** - Duplicate numbers indicate multiple part numbers are in effect for the same general item, such as different size saw blade guards in use or a part that has been updated on newer versions of the same machine.



When ordering a part that has more than one item number listed, check the remarks column for help in determining the proper part to order.

## PART NO. Column

**Numbers Used** - Part numbers can be indicated by a number, a blank entry, or TBD.

TBD (To Be Determined) is generally used to show a part that has not been assigned a formal part number at time of publication.

A blank entry generally indicates that the item is not sold separately or is not sold by Multiquip. Other entries will be clarified in the "Remarks" Column.

## QTY. Column

**Numbers Used** - Item quantity can be indicated by a number, a blank entry, or A/R.

A/R (As Required) is generally used for hoses or other parts that are sold in bulk and cut to length.

A blank entry generally indicates that the item is not sold separately. Other entries will be clarified in the "Remarks" Column.

## REMARKS Column

Some of the most common notes found in the "Remarks" Column are listed below. Other additional notes needed to describe the item can also be shown.

**Assembly/Kit** - All items on the parts list with the same unique symbol will be included when this item is purchased.

Indicated by:

"INCLUDES ITEMS W/(unique symbol)"

**Serial Number Break** - Used to list an effective serial number range where a particular part is used.

Indicated by:

"S/N XXXXX AND BELOW"

"S/N XXXX AND ABOVE"

"S/N XXXX TO S/N XXX"

**Specific Model Number Use** - Indicates that the part is used only with the specific model number or model number variant listed. It can also be used to show a part is NOT used on a specific model or model number variant.

Indicated by:

"XXXXX ONLY"

"NOT USED ON XXXX"

**"Make/Obtain Locally"** - Indicates that the part can be purchased at any hardware shop or made out of available items. Examples include battery cables, shims, and certain washers and nuts.

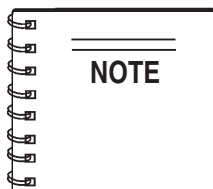
**"Not Sold Separately"** - Indicates that an item cannot be purchased as a separate item and is either part of an assembly/kit that can be purchased, or is not available for sale through Multiquip.



# CX-HF SERIES HAND MIXERS — SUGGESTED SPARE PARTS

CX100HF/CX100HFE/CX300HF/CX300HFE/CX400HFE/CX600HF/CX600HFE (1 TO 4 UNITS)

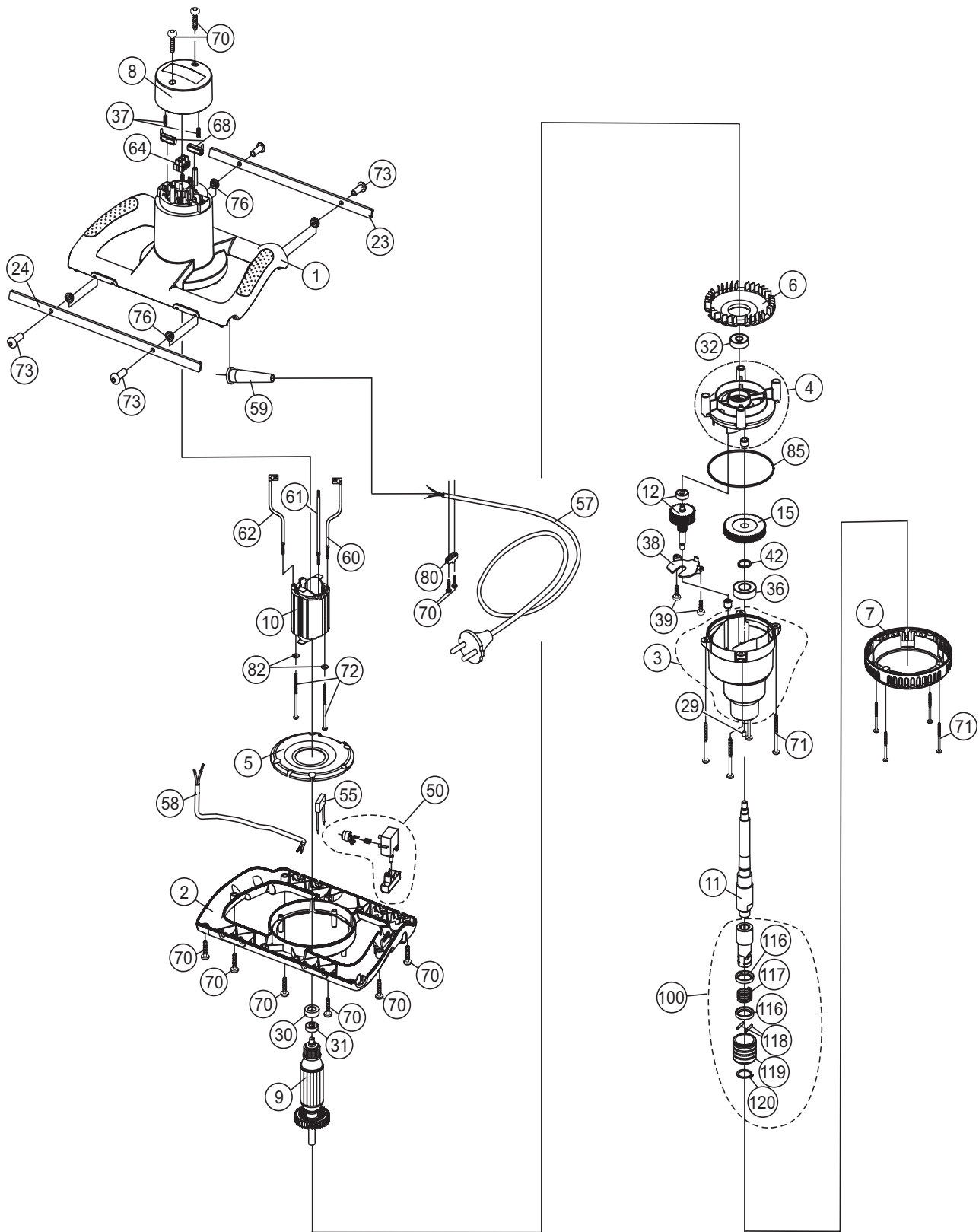
| <u>QTY.</u> | <u>P/N</u>    | <u>DESCRIPTION</u>                          |
|-------------|---------------|---|
| 2 .....     | CM20509 ..... | SPRING FOR BRUSH ASSY (CX100, CX300, CX400) |
| 1 .....     | CM20567 ..... | BRUSH SET (CX100, CX300, CX400)             |
| 2 .....     | CM20569 ..... | BRUSH HOLDER (CX600)                        |
| 1 .....     | CM20566 ..... | BRUSH SET (CX600)                           |
| 1 .....     | CM20593 ..... | SWITCH ASSY (CX100, CX300)                  |
| 1 .....     | CM20703 ..... | SWITCH ASSY (CX400)                         |
| 1 .....     | CM20597 ..... | SWITCH ASSY (CX600)                         |



Part numbers on this Suggested Spare Parts List may supercede/replace the P/N's shown in the test pages of this manual.

# CX100 HAND MIXER — MIXER ASSEMBLY

MIXER ASSY.



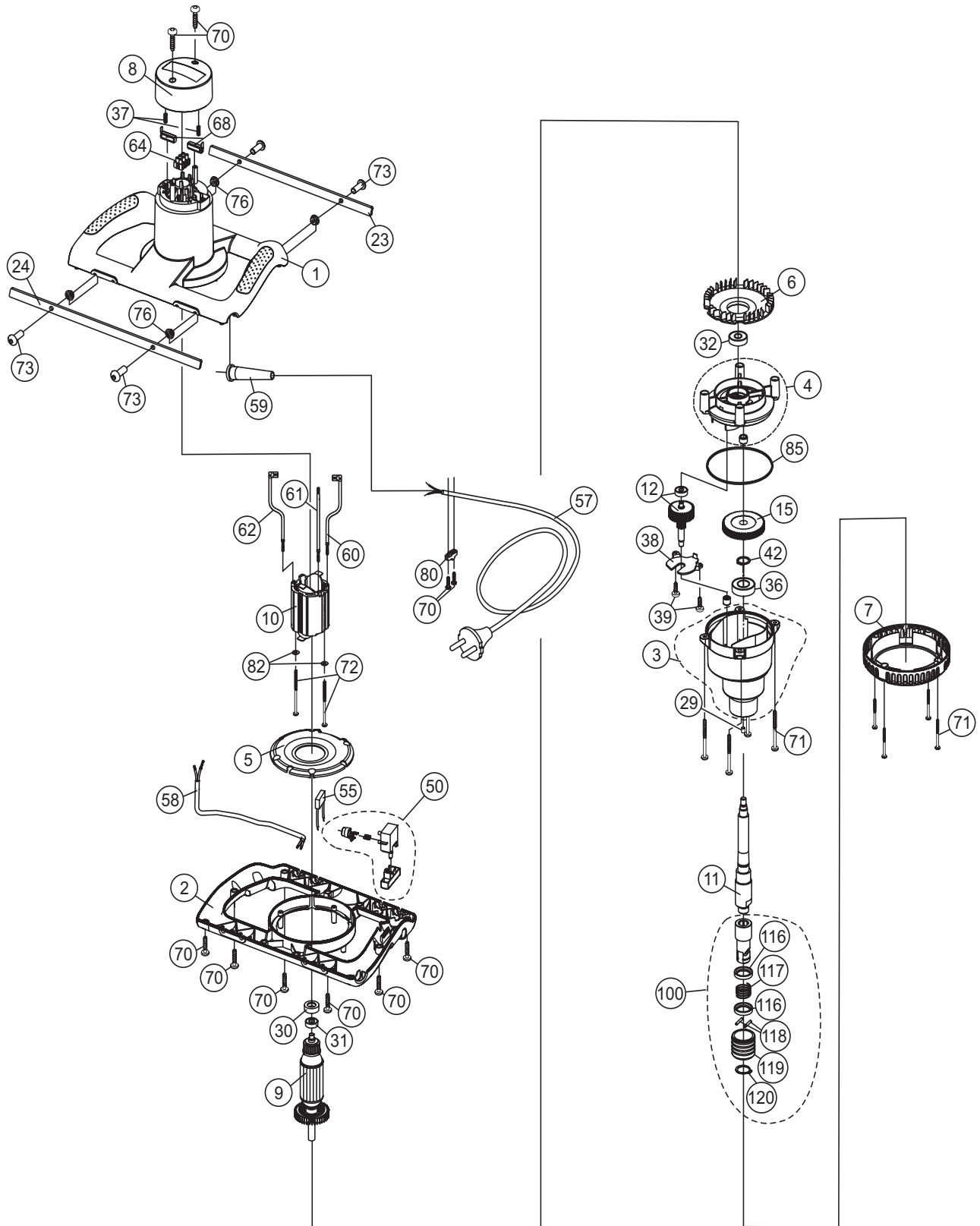
# CX100 HAND MIXER — MIXER ASSEMBLY

## MIXER ASSY.

| <u>NO</u> | <u>PART NO</u> | <u>PART NAME</u>                | <u>QTY.</u> | <u>REMARKS</u> |
|-----------|----------------|---------------------------------|-------------|----------------|
| 1         | CM20530        | MOTOR HOUSING TOP               | 1           |                |
| 2         | CM20531        | MOTOR HOUSING BOTTOM            | 1           |                |
| 3         | CM20560        | GEAR HOUSING ASSY               | 1           |                |
| 4         | CM20552        | PLATE ASSY                      | 1           |                |
| 5         | CM20524        | BAFFLE PLATE                    | 1           |                |
| 6         | CM20525        | RECTIFIER                       | 1           |                |
| 7         | CM20527        | AIR OUTLET                      | 1           |                |
| 8         | CM20601        | COVER, TOP                      | 1           |                |
| 9         | CM20559        | ARMATURE, OEM10 230V .....      | 1           | CX100HFE ONLY  |
| 9         | CM20591        | ARMATURE, OEM10 110V .....      | 1           | CX100HF ONLY   |
| 10        | CM20556        | FIELD COIL, OEM10/20 230V ..... | 1           | CX100HFE ONLY  |
| 10        | CM20592        | FIELD COIL, OEM10/20 110V ..... | 1           | CX100HF ONLY   |
| 11        | CM20707        | SPINDLE                         | 1           |                |
| 12        | CM20548        | MIDDLE SHAFT                    | 1           |                |
| 15        | CM20502        | GEAR                            | 1           |                |
| 23        | CM20687        | FRAME PROTECTION FRONT          | 1           |                |
| 24        | CM20686        | FRAME PROTECTION REAR           | 1           |                |
| 29        | CM25022        | SLEEVE                          | 1           |                |
| 30        | CM29523        | RUBBER SLEEVE                   | 1           |                |
| 31        | CM29522        | BALL BEARING 607 2Z             | 1           |                |
| 32        | CM25055        | BALL BEARING 6000 2RS           | 1           |                |
| 36        | CM24425        | BALL BEARING 6003 ZRS           | 1           |                |
| 37        | CM20509        | SPRING FOR BRUSH ASSY           | 2           |                |
| 38        | CM20608        | COVER                           | 1           |                |
| 39        | CM20609        | SCREW 4X12                      | 2           |                |

# CX100 HAND MIXER — MIXER ASSEMBLY

MIXER ASSY.



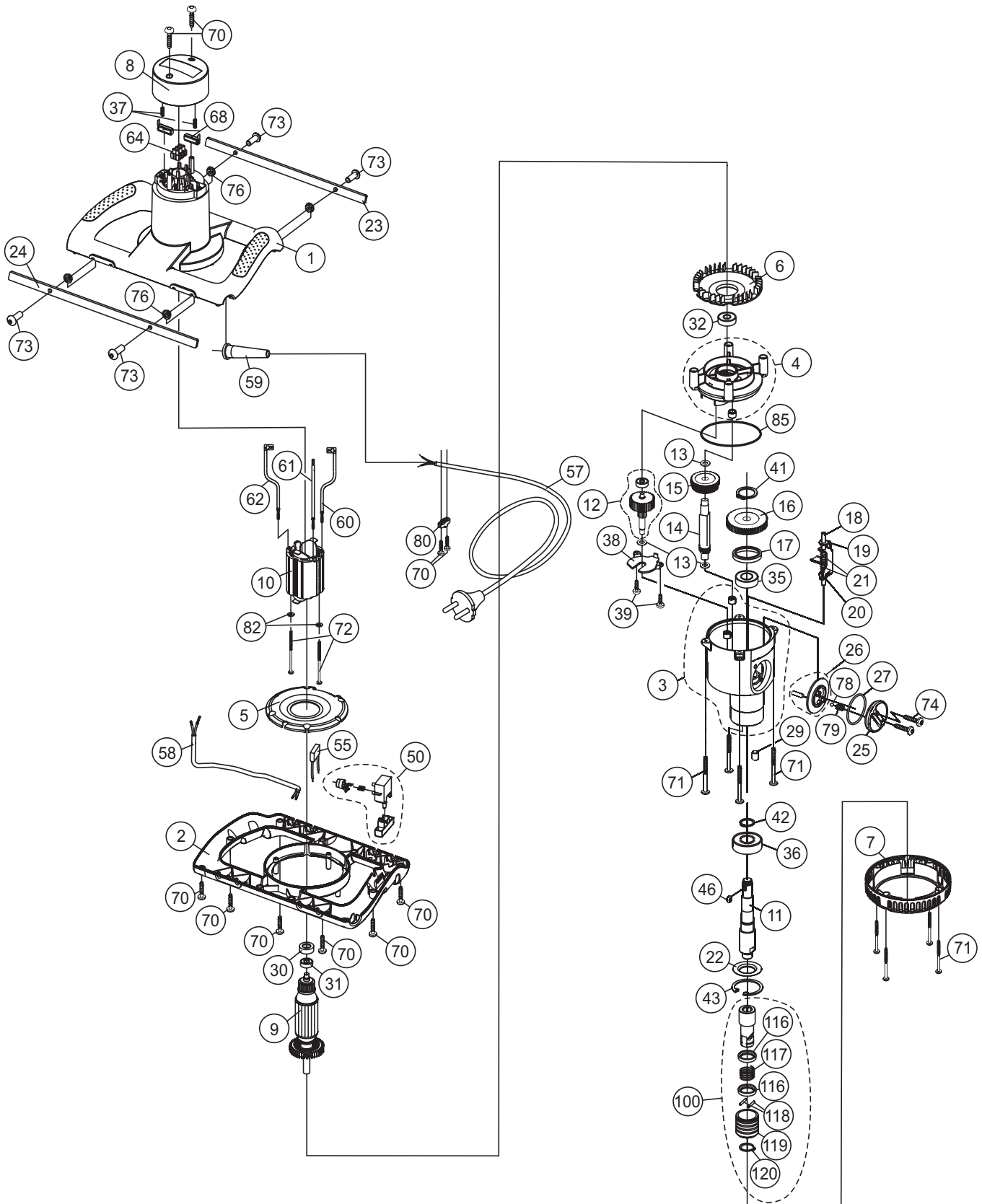
## CX100 HAND MIXER — MIXER ASSEMBLY (CONTINUED)

### MIXER ASSY.

| <u>NO</u> | <u>PART NO</u> | <u>PART NAME</u>                   | <u>QTY.</u> | <u>REMARKS</u>      |
|-----------|----------------|------------------------------------|-------------|---------------------|
| 42        | CM20570        | CIRCLIP 17                         | 1           |                     |
| 50        | CM20565        | ACCELERATION SWITCH 230V .....     | 1           | CX100HFE ONLY       |
| 50        | CM20593        | ACCELERATION SWITCH 110V .....     | 1           | CX100HF ONLY        |
| 55        | CM29534        | CAPACITOR                          | 1           |                     |
| 57        | CM23557        | MAIN CABLE 230V WITH EU-PLUG ..... | 1           | CX100HFE ONLY       |
| 57        | CM27030        | MAIN CABLE 230V WITH CH-PLUG ..... | 1           | CX100HFE ONLY       |
| 57        | CM27053        | MAIN CABLE 230V WITH UK-PLUG ..... | 1           | CX100HFE ONLY       |
| 57        | CM27035        | MAIN CABLE 110V WITH UK-PLUG ..... | 1           | CX100HF ONLY        |
| 57        | CM27054        | MAIN CABLE 110V WITH US-PLUG ..... | 1           | CX100HF ONLY        |
| 58        | CM20588        | CABLE SWITCH                       | 1           |                     |
| 59        | CM23556        | CORD GUARD                         | 1           |                     |
| 60        | CM20584        | WIRE RED                           | 1           |                     |
| 61        | CM20583        | WIRE BLUE                          | 1           |                     |
| 62        | CM20584        | WIRE RED                           | 1           |                     |
| 64        | CM20579        | TERMINAL BLOCK                     | 1           |                     |
| 68        | CM20567        | BRUSH SET                          | 2           |                     |
| 70        | CM25062        | SCREW 4X15                         | 14          |                     |
| 71        | CM29563        | SCREW 4X45/20                      | 8           |                     |
| 72        | CM20574        | SCREW 4X70/30                      | 2           |                     |
| 73        | CM20575        | SCREW M6X20                        | 4           |                     |
| 76        | CM20576        | NUT M6                             | 4           |                     |
| 80        | CM23555        | CORD CLAMP                         | 1           |                     |
| 82        | CM27011        | WASHER 4.3                         | 1           |                     |
| 85        | CM29564        | SEALING                            | 1           |                     |
| 100       | CM20666        | HEXAFIX RIGHT - II .....           | 1           | INCLUDES ITEMS W/ # |
| 116#      | CM20667        | RING HEXAFIX                       | 2           |                     |
| 117#      | CM20668        | SPRING FOR HEXAFIX                 | 1           |                     |
| 118#      | CM20669        | PIN FOR HEXAFIX                    | 1           |                     |
| 119#      | CM20670        | SLEEVE HEXAFIX                     | 1           |                     |
| 120#      | CM20571        | CIRCLIP 20                         | 1           |                     |

# CX300 HAND MIXER — MIXER ASSEMBLY

MIXER ASSY.



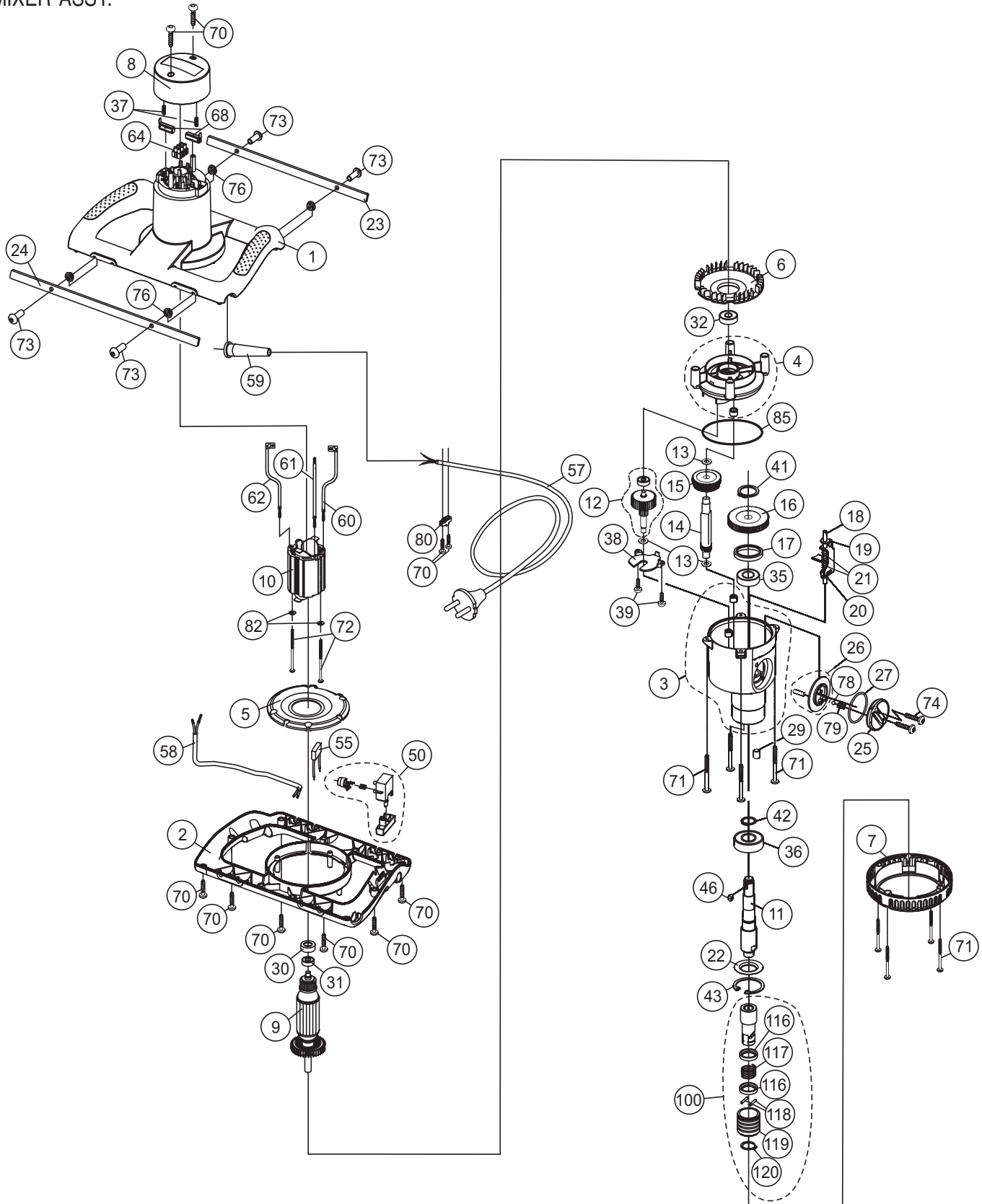
# CX300 HAND MIXER — MIXER ASSEMBLY

## MIXER ASSY.

| <u>NO</u> | <u>PART NO</u> | <u>PART NAME</u>        | <u>QTY.</u> | <u>REMARKS</u> |
|-----------|----------------|-------------------------|-------------|----------------|
| 1         | CM20530        | MOTOR HOUSING TOP       | 1           |                |
| 2         | CM20531        | MOTOR HOUSING BOTTOM    | 1           |                |
| 3         | CM20705        | GEAR HOUSING ASSY       | 1           |                |
| 4         | CM20553        | PLATE ASSY              | 1           |                |
| 5         | CM20524        | BAFFLE PLATE            | 1           |                |
| 6         | CM20529        | RECTIFIER               | 1           |                |
| 7         | CM20526        | AIR OUTLET              | 1           |                |
| 8         | CM20601        | COVER BLACK             | 1           |                |
| 9         | CM20594        | ARMATURE 110V           | 1           |                |
| 10        | CM20592        | FIELD COIL 110V         | 1           |                |
| 11        | CM20711        | SPINDLE                 | 1           |                |
| 12        | CM20547        | MIDDLE SHAFT            | 1           |                |
| 13        | CM20518        | WASHER                  | 3           |                |
| 14        | CM20504        | MIDDLE SHAFT            | 1           |                |
| 15        | CM20544        | GEAR ASSY               | 1           |                |
| 16        | CM20501        | GEAR                    | 1           |                |
| 17        | CM20506        | SLEEVE                  | 1           |                |
| 18        | CM28543        | GUIDE                   | 1           |                |
| 19        | CM20511        | FORK                    | 1           |                |
| 20        | CM20660        | SLIDING PLUG            | 1           |                |
| 21        | CM20508        | SPRING FOR GEAR SHIFTER | 1           |                |
| 22        | CM20513        | WASHER                  | 1           |                |
| 23        | CM20687        | FRAME PROTECTION FRONT  | 1           |                |
| 24        | CM20686        | FRAME PROTECTION REAR   | 1           |                |
| 25        | CM20528        | GEAR KNOB               | 1           |                |
| 26        | CM20684        | GEARING END PLATE       | 1           |                |
| 27        | CM20581        | SEALING                 | 1           |                |
| 29        | CM25022        | SLEEVE                  | 1           |                |
| 30        | CM29523        | RUBBER SLEEVE           | 1           |                |
| 31        | CM29522        | BALL BEARING 607 2Z     | 1           |                |
| 32        | CM25055        | BALL BEARING 6000 2RS   | 1           |                |
| 35        | CM23507        | BALL BEARING 6002 2RS   | 1           |                |
| 36        | CM26016        | BALL BEARING 6204 2RS   | 1           |                |
| 37        | CM20509        | SPRING, BRUSH ASSY      | 2           |                |
| 38        | CM20608        | COVER                   | 1           |                |
| 39        | CM20609        | SCREW 4X12              | 2           |                |

# CX300 HAND MIXER — MIXER ASSEMBLY

MIXER ASSY.





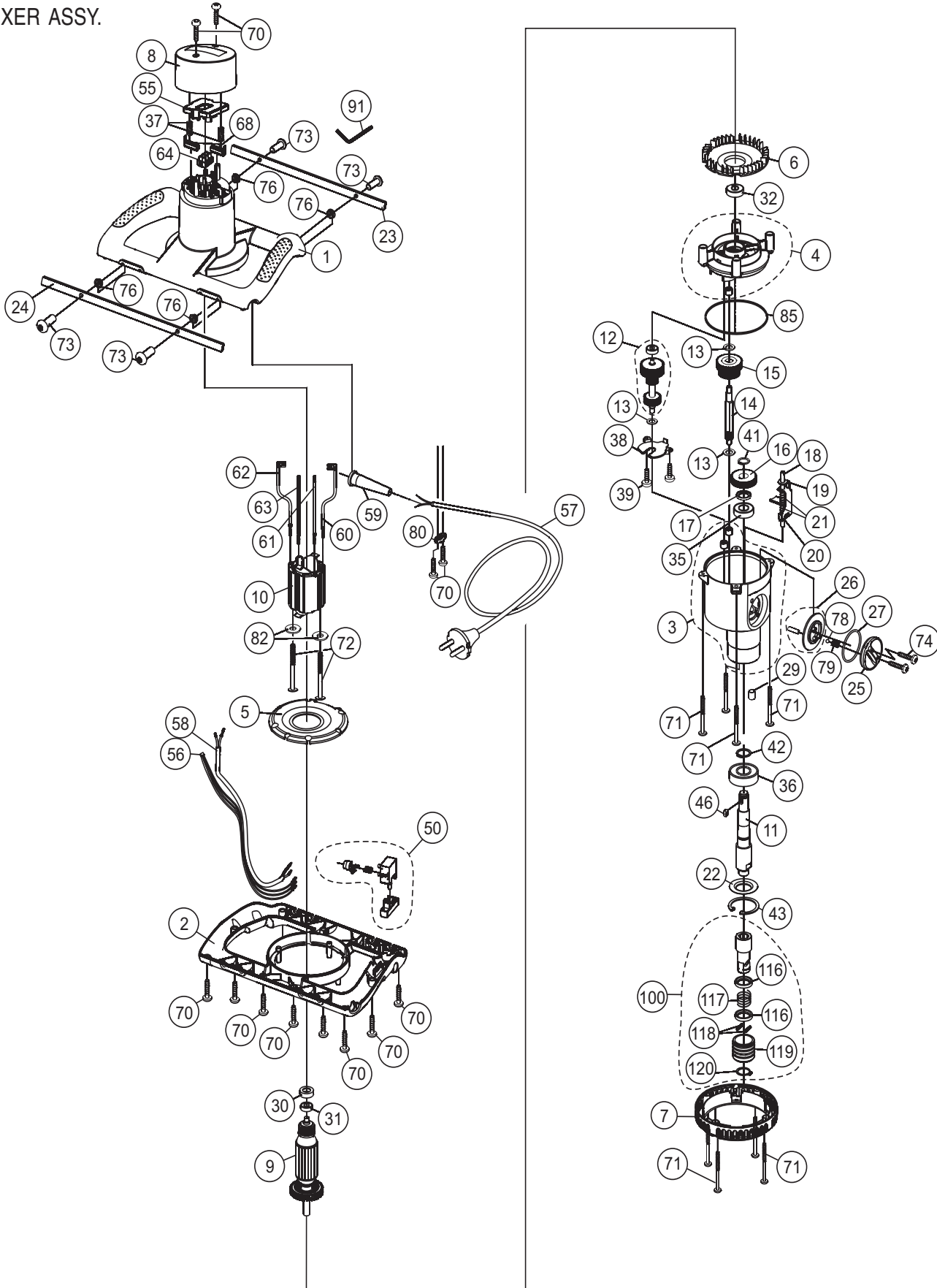
## CX300 HAND MIXER — MIXER ASSEMBLY (CONTINUED)

MIXER ASSY.

| <u>NO</u> | <u>PART NO</u> | <u>PART NAME</u>             | <u>QTY.</u> | <u>REMARKS</u>      |
|-----------|----------------|------------------------------|-------------|---------------------|
| 41        | CM24060        | CIRCLIP A15 X1.5             | 1           |                     |
| 42        | CM20571        | CIRCLIP 20                   | 1           |                     |
| 43        | CM20572        | CIRCLIP 47                   | 1           |                     |
| 46        | CM28548        | PIN 5X5X10                   | 1           |                     |
| 50        | CM20593        | ACCELERATION SWITCH 110V     | 1           |                     |
| 55        | CM29534        | CAPACITOR                    | 1           |                     |
| 57        | CM27035        | MAIN CABLE 110V WITH UK-PLUG | 1           |                     |
| 57        | CM27054        | MAIN CABLE 110V WITH US-PLUG | 1           |                     |
| 58        | CM20588        | CABLE SWITCH                 | 1           |                     |
| 59        | CM23556        | CORD GUARD                   | 1           |                     |
| 60        | CM20584        | WIRE RED                     | 1           |                     |
| 61        | CM20583        | WIRE BLUE                    | 1           |                     |
| 62        | CM20584        | WIRE RED                     | 1           |                     |
| 64        | CM20579        | TERMINAL BLOCK               | 1           |                     |
| 68        | CM20567        | BRUSH SET                    | 1           |                     |
| 70        | CM25062        | SCREW 4X15                   | 14          |                     |
| 71        | CM29563        | SCREW 4X45/20                | 8           |                     |
| 72        | CM20574        | SCREW 4X70/30                | 2           |                     |
| 73        | CM20575        | SCREW M6X20                  | 4           |                     |
| 74        | CM20577        | SCREW 30X12                  | 2           |                     |
| 76        | CM20576        | NUT M6                       | 4           |                     |
| 78        | CM20578        | BALL 5 MM                    | 1           |                     |
| 79        | CM20507        | SPRING FOR GEAR SWITCH       | 1           |                     |
| 80        | CM23555        | CORD CLAMP                   | 1           |                     |
| 82        | CM27011        | WASHER 4.3                   | 2           |                     |
| 85        | CM29564        | SEALING                      | 1           |                     |
| 100       | CM20666        | HEXAFIX RIGHT - II .....     | 1           | INCLUDES ITEMS W/ # |
| 116#      | CM20667        | RING HEXAFIX                 | 2           |                     |
| 117#      | CM20668        | SPRING for HEXAFIX           | 1           |                     |
| 118#      | CM20669        | PIN FOR HEXAFIX              | 1           |                     |
| 119#      | CM20670        | SLEEVE HEXAFIX               | 1           |                     |
| 120#      | CM20571        | CIRCLIP 20                   | 1           |                     |

# CX400 HAND MIXER — MIXER ASSEMBLY

MIXER ASSY.



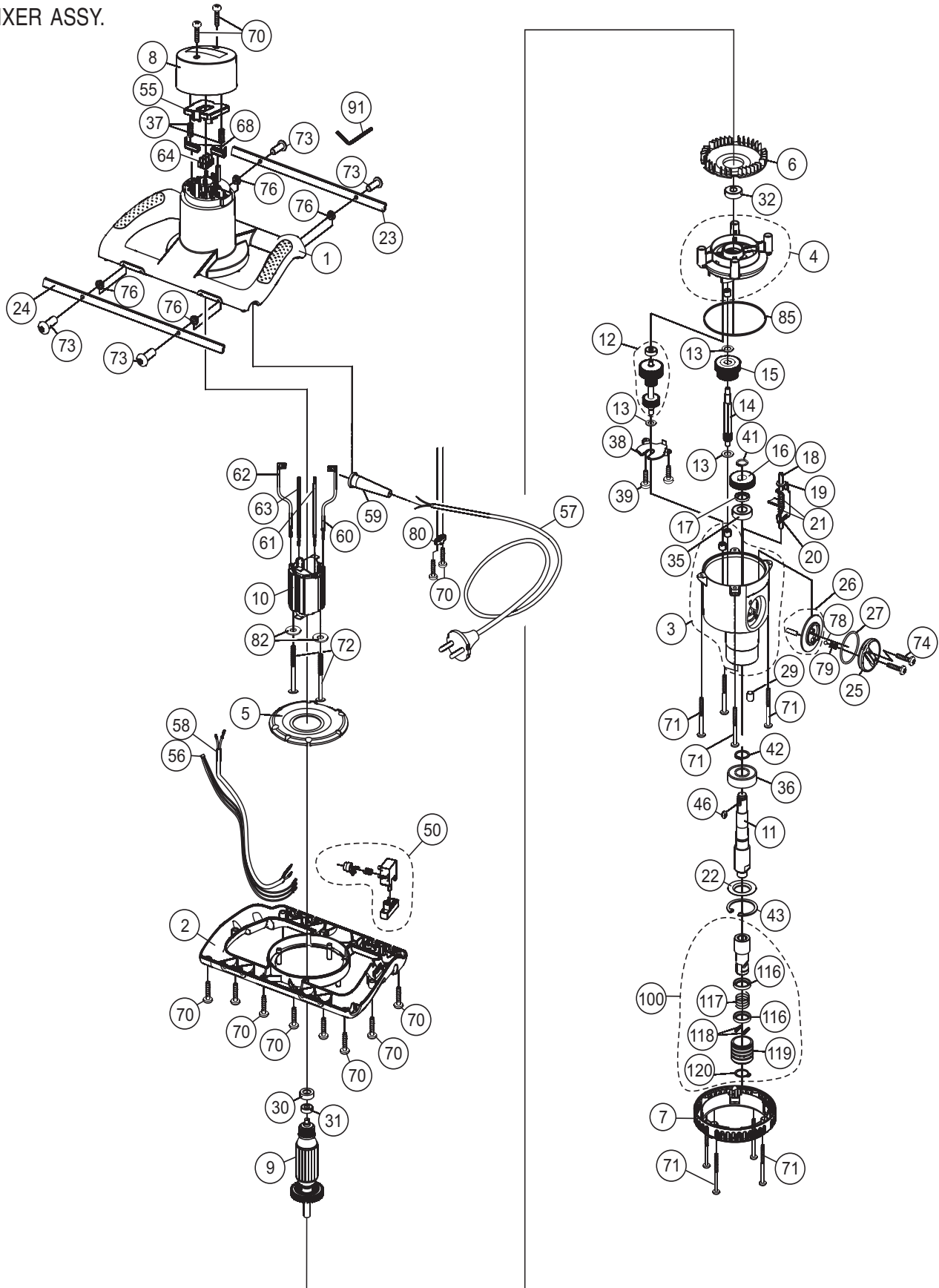
# CX400 HAND MIXER — MIXER ASSEMBLY

## MIXER ASSY.

| <u>NO</u> | <u>PART NO</u> | <u>PART NAME</u>        | <u>QTY.</u> | <u>REMARKS</u> |
|-----------|----------------|-------------------------|-------------|----------------|
| 1         | CM20530        | MOTOR HOUSING TOP       | 1           |                |
| 2         | CM20531        | MOTOR HOUSING BOTTOM    | 1           |                |
| 3         | CM20705        | GEAR HOUSING ASSY       | 1           |                |
| 4         | CM20553        | PLATE ASSY              | 1           |                |
| 5         | CM20524        | BAFFLE PLATE            | 1           |                |
| 6         | CM20529        | RECTIFIER               | 1           |                |
| 7         | CM20526        | AIR OUTLET              | 1           |                |
| 8         | CM20688        | COVER                   | 1           |                |
| 9         | CM20715        | ARMATURE                | 1           |                |
| 10        | CM20701        | FIELD COIL              | 1           |                |
| 11        | CM20711        | SPINDLE                 | 1           |                |
| 12        | CM20709        | MIDDLE SHAFT            | 1           |                |
| 13        | CM20518        | WASHER                  | 3           |                |
| 14        | CM20504        | MIDDLE SHAFT            | 1           |                |
| 15        | CM20708        | GEAR ASSY               | 1           |                |
| 16        | CM20501        | GEAR                    | 1           |                |
| 17        | CM20506        | SLEEVE                  | 1           |                |
| 18        | CM28543        | GUIDE                   | 1           |                |
| 19        | CM20511        | FORK                    | 1           |                |
| 20        | CM20660        | SLIDING PLUG            | 1           |                |
| 21        | CM20508        | SPRING FOR GEAR SHIFTER | 1           |                |
| 22        | CM20513        | WASHER                  | 1           |                |
| 23        | CM20687        | FRAME PROTECTION FRONT  | 1           |                |
| 24        | CM20686        | FRAME PROTECTION REAR   | 1           |                |
| 25        | CM20528        | GEAR KNOB               | 1           |                |
| 26        | CM20562        | KNOB ASSY               | 1           |                |
| 27        | CM20581        | SEALING                 | 1           |                |
| 29        | CM25022        | SLEEVE                  | 1           |                |
| 30        | CM29523        | RUBBER SLEEVE           | 1           |                |
| 31        | CM29522        | BALL BEARING 607 2Z     | 1           |                |
| 32        | CM25055        | BALL BEARING 6000 2RS   | 1           |                |
| 35        | CM23507        | BALL BEARING 6002 2RS   | 1           |                |
| 36        | CM26016        | BALL BEARING 6204 2RS   | 1           |                |
| 37        | CM20509        | SPRING FOR BRUSH ASSY   | 2           |                |
| 38        | CM20608        | COVER                   | 1           |                |
| 39        | CM20609        | SCREW 4X12              | 2           |                |

# CX400 HAND MIXER — MIXER ASSEMBLY

MIXER ASSY.



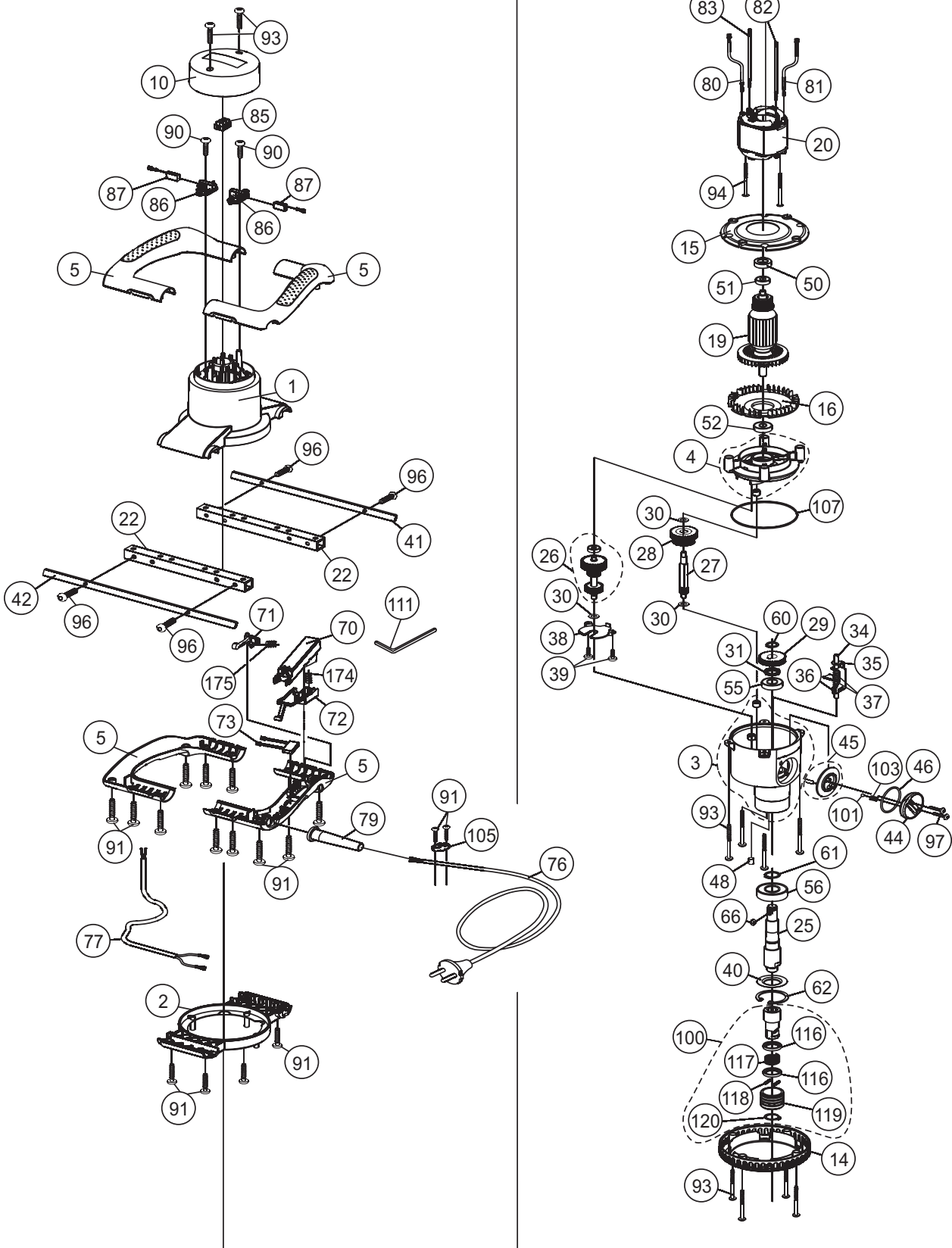
## CX400 HAND MIXER — MIXER ASSEMBLY (CONTINUED)

MIXER ASSY.

| <u>NO</u> | <u>PART NO</u> | <u>PART NAME</u>              | <u>QTY.</u> | <u>REMARKS</u>      |
|-----------|----------------|-------------------------------|-------------|---------------------|
| 41        | 24060          | CIRCLIP A15 X1.5              | 1           |                     |
| 42        | 20571          | CIRCLIP 20                    | 1           |                     |
| 43        | 20572          | CIRCLIP 47                    | 1           |                     |
| 46        | 28548          | PIN 5X5X10                    | 1           |                     |
| 50        | 20703          | SWITCH ASSY                   | 1           |                     |
| 55        | 20712          | CURRENT LIMITER               | 1           |                     |
| 56        | 20689          | WIRE                          | 1           |                     |
| 57        | 23557          | MAIN CABLE 230 V WITH EU PLUG | 1           |                     |
| 58        | 20692          | WIRE                          | 1           |                     |
| 59        | 23556          | CORD GUARD                    | 1           |                     |
| 60        | 20585          | WIRE RED                      | 1           |                     |
| 61        | 20583          | WIRE BLUE                     | 1           |                     |
| 62        | 20585          | WIRE RED                      | 1           |                     |
| 63        | 20682          | WIRE FIELD                    | 1           |                     |
| 64        | 20579          | TERMINAL BLOCK                | 1           |                     |
| 68        | 20567          | BRUSH SET                     | 2           |                     |
| 70        | 25062          | SCREW 4X15                    | 14          |                     |
| 71        | 29563          | SCREW 4X45/20                 | 8           |                     |
| 72        | 20574          | SCREW 4X70/30                 | 2           |                     |
| 73        | 20575          | SCREW M6X20                   | 4           |                     |
| 74        | 20577          | SCREW 30X12                   | 2           |                     |
| 76        | 20576          | NUT M6                        | 4           |                     |
| 78        | 20578          | BALL 5 MM                     | 1           |                     |
| 79        | 20507          | SPRING FOR GEAR SWITCH        | 1           |                     |
| 80        | 23555          | CORD CLAMP                    | 1           |                     |
| 82        | 27011          | WASHER 4,3                    | 2           |                     |
| 85        | 29564          | SEALING                       | 1           |                     |
| 100       | 20666          | HEXAFIX RIGHT - II .....      | 1           | INCLUDES ITEMS W/ # |
| 116#      | 20667          | RING HEXAFIX                  | 2           |                     |
| 117#      | 20668          | SPRING FOR HEXAFIX            | 1           |                     |
| 118#      | 20669          | PIN FOR HEXAFIX               | 1           |                     |
| 119#      | 20670          | SLEEVE HEXAFIX                | 1           |                     |
| 120#      | 20571          | CIRCLIP 20                    | 1           |                     |

# CX600 HAND MIXER — MIXER ASSEMBLY

MIXER ASSY.



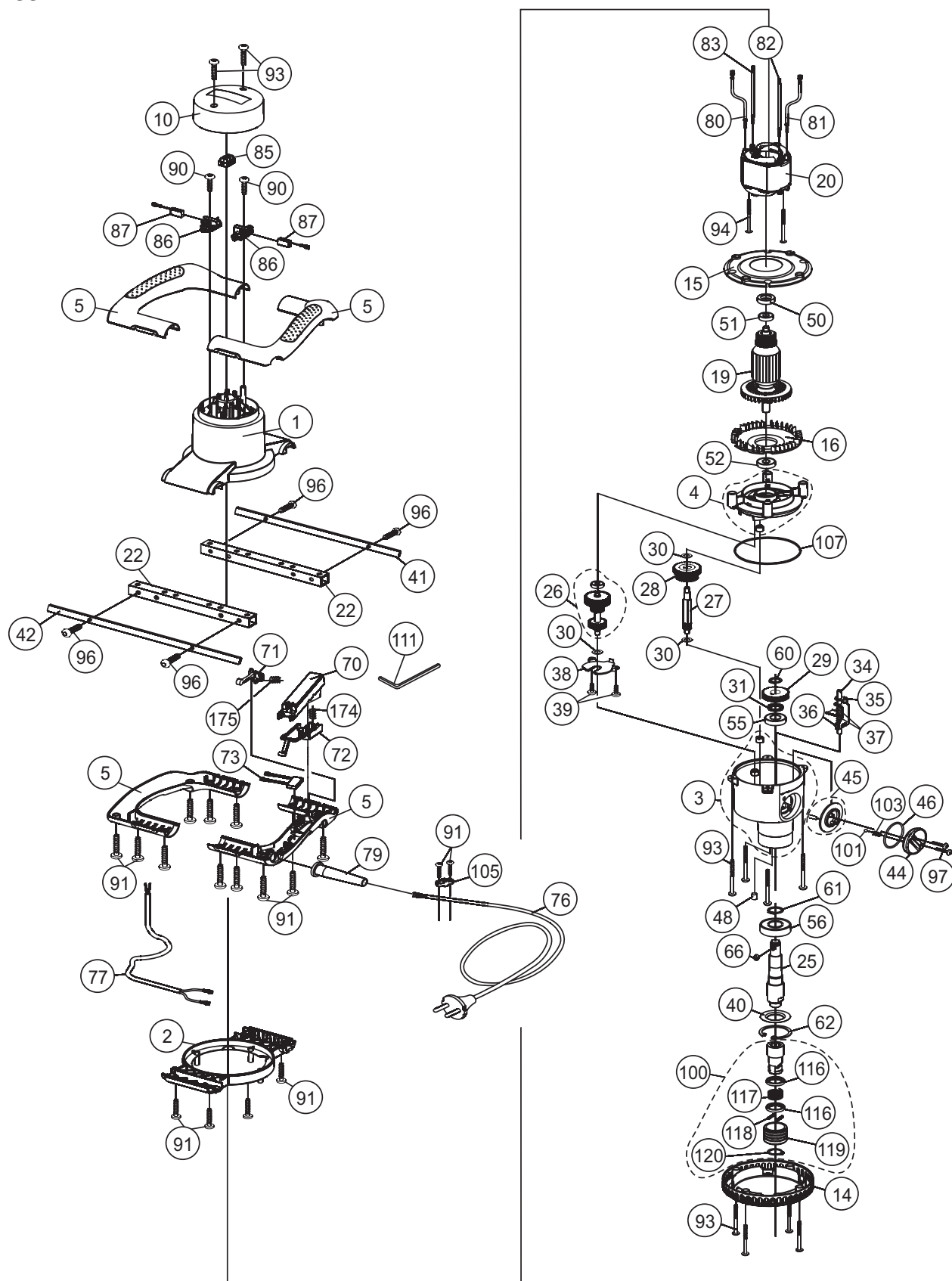
# CX600 HAND MIXER — MIXER ASSEMBLY

## MIXER ASSY.

| <u>NO</u> | <u>PART NO</u> | <u>PART NAME</u>           | <u>QTY.</u> | <u>REMARKS</u> |
|-----------|----------------|----------------------------|-------------|----------------|
| 1         | CM20532        | MOTOR HOUSING TOP          | 1           |                |
| 2         | CM20533        | MOTOR HOUSING BOTTOM       | 1           |                |
| 3         | CM20705        | GEAR HOUSING ASSY          | 1           |                |
| 4         | CM20554        | PLATE ASSY                 | 1           |                |
| 5         | CM20646        | RIGHT AND LEFT HANDLE ASSY | 1           |                |
| 10        | CM20602        | COVER                      | 1           |                |
| 14        | CM20536        | AIR OUTLET                 | 1           |                |
| 15        | CM20535        | BAFFLE PLATE               | 1           |                |
| 16        | CM20529        | RECTIFIER                  | 1           |                |
| 19        | CM20589        | ARMATURE 230V .....        | 1           | CX600HFE ONLY  |
| 19        | CM20599        | ARMATURE 110V .....        | 1           | CX600HF ONLY   |
| 20        | CM20590        | FIELD COIL 230V .....      | 1           | CX600HFE ONLY  |
| 20        | CM20600        | FIELD COIL 110V .....      | 1           | CX600HF ONLY   |
| 22        | CM20516        | CARRIER                    | 1           |                |
| 25        | CM20711        | SPINDLE                    | 1           |                |
| 26        | CM20710        | MIDDLE SHAFT               | 1           |                |
| 27        | CM20504        | MIDDLE SHAFT               | 1           |                |
| 28        | CM20704        | GEAR ASSY                  | 1           |                |
| 29        | CM20501        | GEAR                       | 1           |                |
| 30        | CM20518        | WASHER                     | 3           |                |
| 31        | CM20506        | SLEEVE                     | 1           |                |
| 34        | CM28543        | GUIDE                      | 1           |                |
| 35        | CM20511        | FORK                       | 1           |                |
| 36        | CM20660        | SLIDING PLUG               | 1           |                |
| 37        | CM20508        | SPRING FOR GEAR SHIFTER    | 1           |                |
| 38        | CM20608        | COVER                      | 1           |                |
| 39        | CM20609        | SCREW 4X12                 | 2           |                |
| 40        | CM20513        | WASHER                     | 1           |                |
| 41        | CM20687        | FRAME PROTECTION FRONT     | 1           |                |
| 42        | CM20686        | FRAME PROTECTION REAR      | 1           |                |
| 44        | CM20528        | GEAR KNOB                  | 1           |                |
| 45        | CM20562        | KNOB ASSY                  | 1           |                |
| 46        | CM20581        | SEALING                    | 1           |                |
| 48        | CM25022        | SLEEVE                     | 1           |                |
| 50        | CM25053        | RUBBER SLEEVE              | 1           |                |
| 60        | CM25053        | RUBBER SLEEVE              | 1           |                |
| 51        | CM29544        | BALL BEARING 608 2RS       | 1           |                |
| 52        | CM23519        | BALL BEARING 6001 ZZ       | 1           |                |
| 55        | CM23507        | BALL BEARING 6002 2RS      | 1           |                |
| 56        | CM26016        | BALL BEARING 6204 2RS      | 1           |                |

# CX600 HAND MIXER — MIXER ASSEMBLY

MIXER ASSY.





## CX600 HAND MIXER — MIXER ASSEMBLY (CONTINUED)

MIXER ASSY.

| <u>NO</u> | <u>PART NO</u> | <u>PART NAME</u>               | <u>QTY.</u> | <u>REMARKS</u>      |
|-----------|----------------|--------------------------------|-------------|---------------------|
| 60        | CM24060        | CIRCLIP A15 X1,5               | 1           |                     |
| 61        | CM20571        | CIRCLIP 20                     | 1           |                     |
| 62        | CM20572        | CIRCLIP 47                     | 1           |                     |
| 66        | CM28548        | PIN 5X5X10                     | 1           |                     |
| 70        | CM20580        | SWITCH 230V                    | 1           | CX600HFE ONLY       |
| 70        | CM20597        | SWITCH 110V                    | 1           | CX600HF ONLY        |
| 71        | CM20649        | KNOB SWITCH                    | 1           |                     |
| 72        | CM20650        | LEVER                          | 1           |                     |
| 73        | CM20568        | SUPPRESSOR                     | 1           |                     |
| 76        | CM23557        | MAIN CABLE 230 V WITH EU PLUG  | 1           | CX600HFE ONLY       |
| 76        | CM27030        | MAIN CABLE 230 V WITH CH PLUG  | 1           | CX600HFE ONLY       |
| 76        | CM27053        | MAIN CABLE 230 V WITH UK PLUG  | 1           | CX600HFE ONLY       |
| 76        | CM27035        | MAIN CABLE 110 V WITH UK PLUG  | 1           | CX600HF ONLY        |
| 76        | CM27054        | MAIN CABLE 110 V WITH USA PLUG | 1           | CX600HF ONLY        |
| 77        | CM20564        | CABLE                          | 1           |                     |
| 79        | CM20520        | CORD GUARD                     | 1           |                     |
| 80        | CM20586        | WIRE BLUE                      | 1           |                     |
| 81        | CM20586        | WIRE BLUE                      | 1           |                     |
| 82        | CM20587        | WIRE                           | 1           |                     |
| 83        | CM20587        | WIRE                           | 1           |                     |
| 85        | CM20579        | TERMINAL BLOCK                 | 1           |                     |
| 86        | CM20569        | BRUSH HOLDER                   | 2           |                     |
| 87        | CM20566        | BRUSH SET                      | 2           |                     |
| 90        | CM25062        | SCREW 4 X 15                   | 2           |                     |
| 91        | CM25049        | SCREW 4 X 16                   | 18          |                     |
| 93        | CM29563        | SCREW 4X45/20                  | 10          |                     |
| 94        | CM25031        | SCREW 4X70/30                  | 1           |                     |
| 96        | CM20575        | SCREW M6X20                    | 4           |                     |
| 97        | CM20577        | SCREW 30X12                    | 1           |                     |
| 100       | CM20666        | HEXAFIX RIGHT - II .....       | 1           | INCLUDES ITEMS W/ # |
| 101       | CM20578        | BALL 5 MM                      | 1           |                     |
| 103       | CM20507        | SPRING FOR GEAR SWITCH         | 1           |                     |
| 105       | CM20521        | CORD CLAMP                     | 1           |                     |
| 107       | CM29564        | SEALING                        | 1           |                     |
| 116#      | CM20667        | RING HEXAFIX                   | 2           |                     |
| 117#      | CM20668        | SPRING FOR HEXAFIX             | 1           |                     |
| 118#      | CM20669        | PIN FOR HEXAFIX                | 1           |                     |
| 119#      | CM20670        | SLEEVE HEXAFIX                 | 1           |                     |
| 120#      | CM20571        | CIRCLIP 20                     | 1           |                     |
| 174       | CM20510        | SPRING                         | 1           |                     |
| 175       | CM20607        | SPRING                         | 1           |                     |

# STOW

A DIVISION OF MULTIQUIP INC.

## Terms and Conditions of Sale STOW Construction Equipment

### PAYMENT TERMS

Terms of payment for unit sales are 2% 15 days net 30 days from date of invoice unless otherwise specifically stated on our invoice. Parts invoices have terms of net 10 days. **Minimum parts billing is \$15.00 net.**

Applicable discounts will be computed on merchandise value only. Late charges will be assessed at prevailing rates. Cash discounts cannot be taken on current billings if any previously billed amounts are past due.

### FREIGHT POLICY

Freight policy is established to offer customers every advantage possible. Due to bulk freight ratings on some equipment and other shipping considerations, freight policies differ by equipment type. Actual back freight may be charged for shipments originating from other than specified FOB warehouses. **See Freight Policy for details.**

All STOW domestic sales are FOB nearest available designated MQ/STOW warehouse. Export orders are ex-works factory located in Carson, CA or Boise, ID.

Additions to orders already shipped cannot be accepted for freight minimums.

Should STOW elect to make partial shipments of an order originally complying with the "freight allowed" requirements, transportation charges will be absorbed by STOW on any subsequent shipment applying to that order.

All other orders will be shipped collect or prepaid with charges added to the invoice. STOW's responsibility ceases when a signed manifest has been obtained from the carrier, and any claim for shortage or damage must be settled between the consignee and the carrier.

**Parts:** FOB Carson, California or Boise, Idaho. **See Freight Policy for details and additional discounts.**

### DROP SHIPMENTS

STOW reserves the right to refuse Drop Shipments outside the normal service area of the purchasing dealer.

### FIELD WAREHOUSES

Field Warehouses are currently located in California, Georgia, Idaho, Iowa, and New Jersey

### SPECIAL EXPEDITING SERVICE

The higher of a \$35.00 surcharge or actual costs will be added to the invoice for special handling, including bus shipments, or in cases where STOW personnel must personally deliver the equipment or parts to the carrier.

### RETURNED GOODS POLICY

Return shipments may be accepted and credit allowed, subject to the following provisions.

1. A Returned Material Authorization (RMA) must be approved by STOW prior to shipment. Approvals for returned goods must be with just cause and are at the sole discretion of STOW. A copy of the Authorization must accompany the shipment to the designated Warehouse.
2. Parts being returned must be listed as currently supplied on the current parts list.
3. Parts must be in new and resalable condition in the original package, with part numbers clearly marked.
4. Units and accessories must be current models in the latest price list and in new and resalable condition.
5. Special order items are not returnable for credit.
6. Credit on returned parts and units will be issued at actual dealer net price at time of purchase less 15% restocking charge.
7. All returned shipments are to be made to the STOW designated receiving point, freight prepaid at the sender's expense.

The sender will be notified of any material received that does not meet the above provisions. Such material will be held for 30 days from notification pending instructions. If a reply is not received within 30 days, the material will be returned to the sender at his expense with no credit issued.

### PRICING, REBATES AND SPECIFICATIONS

Every effort will be made to provide adequate notice of changes; however, prices and equipment specifications are subject to change without notice.

Price changes are effective on a specific date and all orders received on or after that date will be billed at the revised price.

Rebates for price reductions and added charges for price increases will not be made for stock in dealer inventory at the time of a price change.

STOW reserves the right to quote and sell direct to Government agencies and to Original Equipment Manufacturer accounts who use our products as integral parts of their own products.

### LIMITATION OF SELLER'S LIABILITY

STOW shall not be liable hereunder for damages in excess of the purchase price of the item with respect to which damages are claimed and in no event shall STOW be liable for loss of profit or good will or for any other special, consequential or incidental damages.

### LIMITATION OF WARRANTIES

There are no warranties, express or implied, made by STOW hereunder on Products manufactured or distributed by it except the warranty against defects in material and workmanship on new Products to the original purchaser, as set forth in the STOW New Product Limited Warranty.

Effective: July 15, 2003

# STOW

A DIVISION OF MULTIQUIP INC.

Atlanta • Boise • Newark • Quebec, Canada  
Manchester, UK • Rio de Janeiro, BR • Puebla, MX

### STOW CONSTRUCTION EQUIPMENT

POST OFFICE BOX 6254  
CARSON, CALIFORNIA 90749  
310-661-4242 • 877-BUY-STOW  
FAX: 310-604-9237  
E-MAIL: stow@stowmfg.com  
www.stowmfg.com



# OPERATION AND PARTS MANUAL

## HERE'S HOW TO GET HELP

PLEASE HAVE THE MODEL AND SERIAL NUMBER *ON-HAND* WHEN CALLING

### **PARTS DEPARTMENT**

800-427-1244      FAX: 800-672-7877

310-537-3700      FAX: 310-637-3284

### **SERVICE DEPARTMENT**

800-478-1244      FAX: 310-537-4259

310-537-3700

### **TECHNICAL ASSISTANCE**

800-478-1244      FAX: 310-631-5032

### **WARRANTY DEPARTMENT**

800-421-1244, EXT. 279      FAX: 310-537-1173

310-537-3700, EXT. 279

### **SALES DEPARTMENT**

310-661-4242      FAX: 310-604-9237

877-289-7869 (877-BUY-STOW)

© COPYRIGHT 2008, MULTIQUIP INC.

Multiquip Inc, and the STOW logo are registered trademarks of Multiquip Inc. and may not be used, reproduced, or altered without written permission. All other trademarks are the property of their respective owners and used with permission.

This manual MUST accompany the equipment at all times. This manual is considered a permanent part of the equipment and should remain with the unit if resold.

The information and specifications included in this publication were in effect at the time of approval for printing. Illustrations, descriptions, references and technical data contained in this manual are for guidance only and may not be considered as binding. Multiquip Inc. reserves the right to discontinue or change specifications, design or the information published in this publication at any time without notice and without incurring any obligations.

Your Local Dealer is:

**STOW**  
A DIVISION OF MULTIQUIP INC.  
Atlanta • Boise • Newark • Quebec, Canada  
Manchester, UK • Rio de Janeiro, BR • Puebla, MX

### **MQ STOW CONSTRUCTION EQUIPMENT**

A DIVISION OF MULTIQUIP INC.

POST OFFICE BOX 6254

CARSON, CA 90749

310-537-3700 • 888-252-MQ STOW [888-252-7869]

FAX: 310-537-1986 • FAX: 800-556-1986

E-MAIL: MQ STOW@multiquip.com • WWW:

stowmfg.com

## Free Manuals Download Website

<http://myh66.com>

<http://usermanuals.us>

<http://www.somanuals.com>

<http://www.4manuals.cc>

<http://www.manual-lib.com>

<http://www.404manual.com>

<http://www.luxmanual.com>

<http://aubethermostatmanual.com>

Golf course search by state

<http://golfingnear.com>

Email search by domain

<http://emailbydomain.com>

Auto manuals search

<http://auto.somanuals.com>

TV manuals search

<http://tv.somanuals.com>