

PARTS MANUAL



WSHE/A SERIES VIBRATORY TRUSS SCREED

HONDA GASOLINE ENGINES:

GX270UT2QA2 9HP

GX340UT2QAP2 11HP

Revision #0 (05/04/11)

To find the latest revision of this
publication, visit our website at:
www.multiquip.com



THIS MANUAL MUST ACCOMPANY THE EQUIPMENT AT ALL TIMES.

PN: 36864

WSHE/A Vibratory Truss Screed

Table Of Contents	2
Parts Ordering Procedures.....	3
Explanation Of Code In Remarks Column	4
Suggested Spare Parts	5
Nameplate And Decals.....	6-7
WSHE20 Section Assembly	8-9
WSHE25 Section Assembly	10-11
WSHE50 Section Assembly	12-13
WSHE75 Section Assembly	14-15
WSHE100 Section Assembly	16-17
WSHEIC Invert/Crown Kit Assembly	18-19
WSHEKITUJ Assembly	20-21
WSHEH End Handle Kit	22-23
WSHEEXT6/12/18 End Handle Extension Kit..	24-25
WSHEKIT8H/9H/11H Engine Kit Assembly	26-27
WSHE50KIT8H/9H/11H Engine & Section Assembly	28-29
WSHESPW(L)/(R) Kit Assembly	30--33
WSHW Hand Winch Assembly.....	34-35
WSHA20 Section Assembly	36-37
WSHA25 Section Assembly	38-39
WSHA50 Section Assembly	40-41
WSHA75 Section Assembly	42-43
WSHA100 Section Assembly	44-45
WSHAIC Invert/Crown Kit Assembly	46-47
WSHAH End Handle Kit Assembly.....	48-49
WSHAEXT6/12/18 End Handle Extension Assembly	50-51
WSKITAEB-R Adjustable End Bracket Assembly	52-53
WSHRBE Kit Assembly	54-55
EZ Mover Assembly.....	56-57
Terms And Conditions Of Sale — Parts	58

NOTICE

Part numbers are subject to change without notice.

PARTS ORDERING PROCEDURES

Ordering parts has never been easier! Choose from three easy options:

Effective:
January 1st, 2006

www.multiquip.com



Order via Internet (Dealers Only):

Order parts on-line using Multiquip's SmartEquip website!

- View Parts Diagrams
- Order Parts
- Print Specification Information



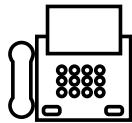
If you have an MQ Account, to obtain a Username and Password, E-mail us at: parts@multiquip.com.

To obtain an MQ Account, contact your District Sales Manager for more information.

Goto www.multiquip.com and click on **Order Parts** to log in and save!

Use the **internet** and qualify for a **5% Discount** on *Standard orders* for all orders which include complete part numbers.*

Note: Discounts Are Subject To Change



Order via Fax (Dealers Only):

All customers are welcome to order parts via Fax.

Domestic (US) Customers dial:
1-800-6-PARTS-7 (800-672-7877)

Fax your order in and qualify for a **2% Discount** on *Standard orders* for all orders which include complete part numbers.*

Note: Discounts Are Subject To Change



Order via Phone: Domestic (US) Dealers Call:
1-800-427-1244

Non-Dealer Customers:

Contact your local Multiquip Dealer for parts or call 800-427-1244 for help in locating a dealer near you.



International Customers should contact their local Multiquip Representatives for Parts Ordering information.

When ordering parts, please supply:

- | | |
|---|--|
| <input type="checkbox"/> Dealer Account Number | <input type="checkbox"/> Specify Preferred Method of Shipment: |
| <input type="checkbox"/> Dealer Name and Address | <input checked="" type="checkbox"/> UPS/Fed Ex <input checked="" type="checkbox"/> DHL |
| <input type="checkbox"/> Shipping Address (if different than billing address) | <input type="checkbox"/> Priority One <input checked="" type="checkbox"/> Truck |
| <input type="checkbox"/> Return Fax Number | <input type="checkbox"/> Ground |
| <input type="checkbox"/> Applicable Model Number | <input type="checkbox"/> Next Day |
| <input type="checkbox"/> Quantity, Part Number and Description of Each Part | <input type="checkbox"/> Second/Third Day |

NOTICE

All orders are treated as *Standard Orders* and will ship the same day if received prior to 3PM PST.

WE ACCEPT ALL MAJOR CREDIT CARDS!



EXPLANATION OF CODE IN REMARKS COLUMN

The following section explains the different symbols and remarks used in the Parts section of this manual. Use the help numbers found on the back page of the manual if there are any questions.

NOTICE

The contents and part numbers listed in the parts section are subject to change **without notice**. Multiquip does not guarantee the availability of the parts listed.

SAMPLE PARTS LIST

NO.	PART NO.	PART NAME	QTY.	REMARKS
1	12345	BOLT.....	1	INCLUDES ITEMS W/%
2%		WASHER, 1/4 IN.....		NOT SOLD SEPARATELY
2%	12347	WASHER, 3/8 IN....	1	MQ-45T ONLY
3	12348	HOSE		A/R ...MAKE LOCALLY
4	12349	BEARING	1	S/N 2345B AND ABOVE

NO. Column

Unique Symbols — All items with same unique symbol

(@, #, +, %, or >) in the number column belong to the same assembly or kit, which is indicated by a note in the “Remarks” column.

Duplicate Item Numbers — Duplicate numbers indicate multiple part numbers, which are in effect for the same general item, such as different size saw blade guards in use or a part that has been updated on newer versions of the same machine.

NOTICE

When ordering a part that has more than one item number listed, check the remarks column for help in determining the proper part to order.

PART NO. Column

Numbers Used — Part numbers can be indicated by a number, a blank entry, or TBD.

TBD (To Be Determined) is generally used to show a part that has not been assigned a formal part number at the time of publication.

A blank entry generally indicates that the item is not sold separately or is not sold by Multiquip. Other entries will be clarified in the “Remarks” Column.

QTY. Column

Numbers Used — Item quantity can be indicated by a number, a blank entry, or A/R.

A/R (As Required) is generally used for hoses or other parts that are sold in bulk and cut to length.

A blank entry generally indicates that the item is not sold separately. Other entries will be clarified in the “Remarks” Column.

REMARKS Column

Some of the most common notes found in the “Remarks” Column are listed below. Other additional notes needed to describe the item can also be shown.

Assembly/Kit — All items on the parts list with the same unique symbol will be included when this item is purchased.

Indicated by:

“INCLUDES ITEMS W/(unique symbol)”

Serial Number Break — Used to list an effective serial number range where a particular part is used.

Indicated by:

“S/N XXXXX AND BELOW”

“S/N XXXX AND ABOVE”

“S/N XXXX TO S/N XXX”

Specific Model Number Use — Indicates that the part is used only with the specific model number or model number variant listed. It can also be used to show a part is NOT used on a specific model or model number variant.

Indicated by:

“XXXXX ONLY”

“NOT USED ON XXXX”

“Make/Obtain Locally” — Indicates that the part can be purchased at any hardware shop or made out of available items. Examples include battery cables, shims, and certain washers and nuts.

“Not Sold Separately” — Indicates that an item cannot be purchased as a separate item and is either part of an assembly/kit that can be purchased, or is not available for sale through Multiquip.

SUGGESTED SPARE PARTS

WSHE VIBRATORY TRUSS SCREED

1 to 3 units

Qty.	P/N	Description
3.....	1162 A	CAP, GREASE ZERK #2
2.....	16749	ZERK, GREASE 90 1/4-28
3.....	2621	ZERK, GREASE
2.....	1477	LOCTITE #242 BLUE .5CC BOTTLE
4.....	2422	BELT, B41
1.....	W60137	OIL, 30WT SAE SPECIAL MOTOR (GAL)
2.....	26265	HOSE, HYD 4-4MPX6FJ SWIVELX16"
1.....	26266	HOSE, HYD 8-8MPX8FJ SWIVELX18"
2.....	26269	BELT, 4L-210 NAPA

WSHESPW(L)/(R) KIT

1 to 3 units

Qty.	P/N	Description
2.....	26265	HOSE, HYD 4-4MPX6FJ SWIVELX16"
1.....	26266	HOSE, HYD 8-8MPX8FJ SWIVELX18"
2.....	26269	BELT, 4L-210 NAPA

WSHE VIBRATORY TRUSS SCREED WITH HONDA GX240U1QA2 8 HP GASOLINE ENGINE

1 to 3 units

Qty.	P/N	Description
2.....	17210ZE2515	ELEMENT, AIR CLEANER
2.....	9807955846	SPARK PLUG
1.....	17620Z4J020	FUEL CAP
1.....	15600Z1C000	OIL GAUGE (DIPSTICK)
1.....	28462ZE2W11	ROPE, RECOIL STARTER

WSHE VIBRATORY TRUSS SCREED WITH HONDA GX270UT2QA2 9 HP GASOLINE ENGINE

1 to 3 units

Qty.	P/N	Description
2.....	17210ZE2515	ELEMENT, AIR CLEANER
2.....	9807955846	SPARK PLUG
1.....	17620Z4H020	FUEL CAP
1.....	15600Z1C000	OIL GAUGE (DIPSTICK)
1.....	28462ZE2W11	ROPE, RECOIL STARTER

WSHE VIBRATORY TRUSS SCREED WITH HONDA GX340UT2QAP2 11 HP GASOLINE ENGINE

1 to 3 units

Qty.	P/N	Description
2.....	17210ZE3505	ELEMENT, AIR CLEANER
2.....	9807955846	SPARK PLUG
1.....	17620Z4H020	FUEL CAP
1.....	15600Z1C000	OIL GAUGE (DIPSTICK)
1.....	28462ZV7003	ROPE, RECOIL STARTER

WSHA VIBRATORY TRUSS SCREED

1 to 3 units

Qty.	P/N	Description
2.....	16073	VIBRATOR ASSY, AIR
2.....	26131	HOSE, AIR ASSY 1/4 X 24
1.....	36428	HOSE, 200PSI 1" X 60" RED HORIZON
1.....	26142	OILER, 1" SCH-B MB3-08L54BCSB

WSHAIC INVERT/CROWN KIT

1 to 3 units

Qty.	P/N	Description
1.....	26904	HOSE, 100R4 1

WSHAEXT6/12/18 END HANDLE EXTENSION KIT

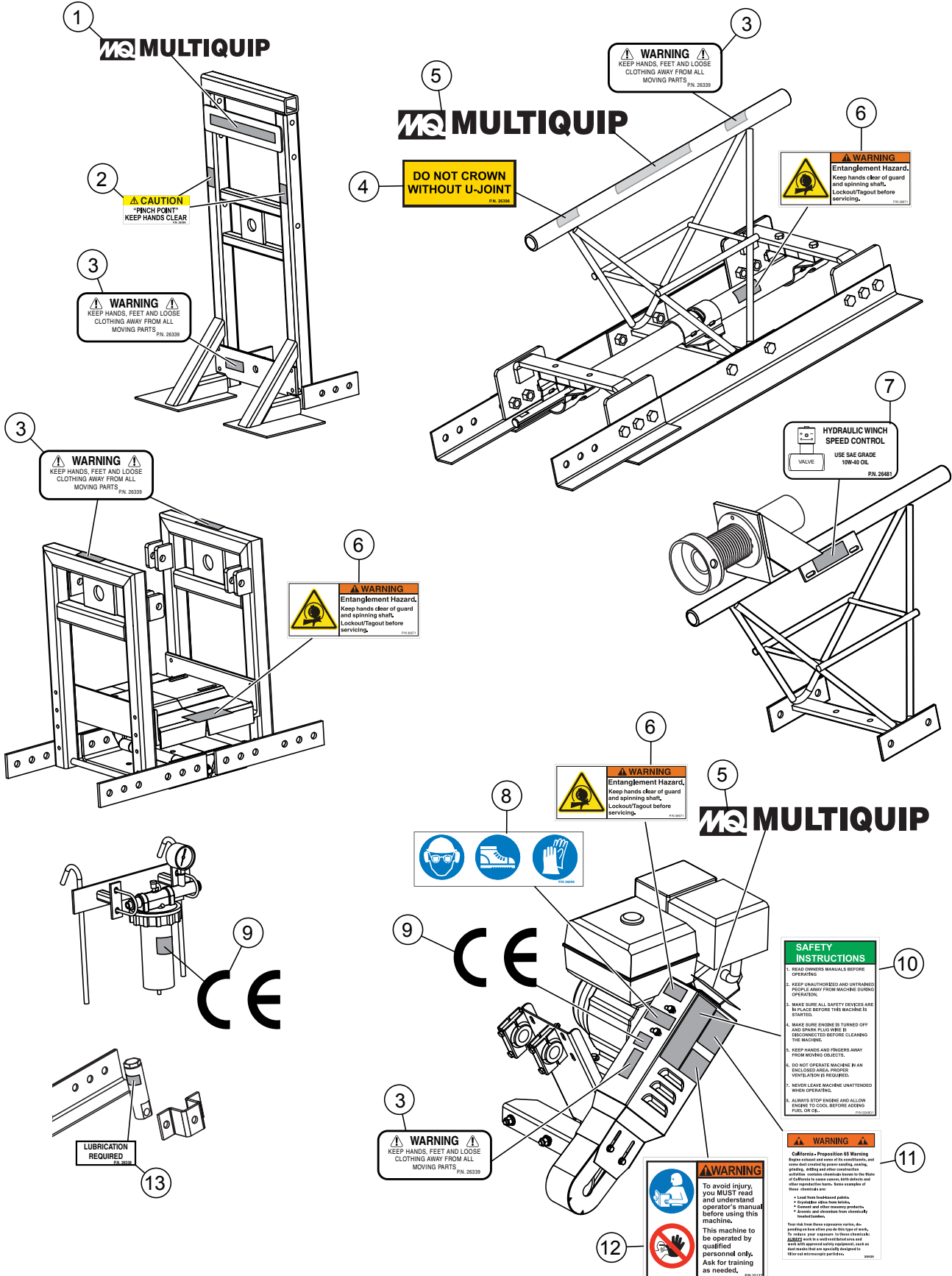
1 to 3 units

Qty.	P/N	Description
2.....	26399	HOSE, AIR ASSY 1/4 X 36

NOTICE

Part numbers on this Suggested Spare Parts list may supersede/replace the part numbers shown in the following parts lists.

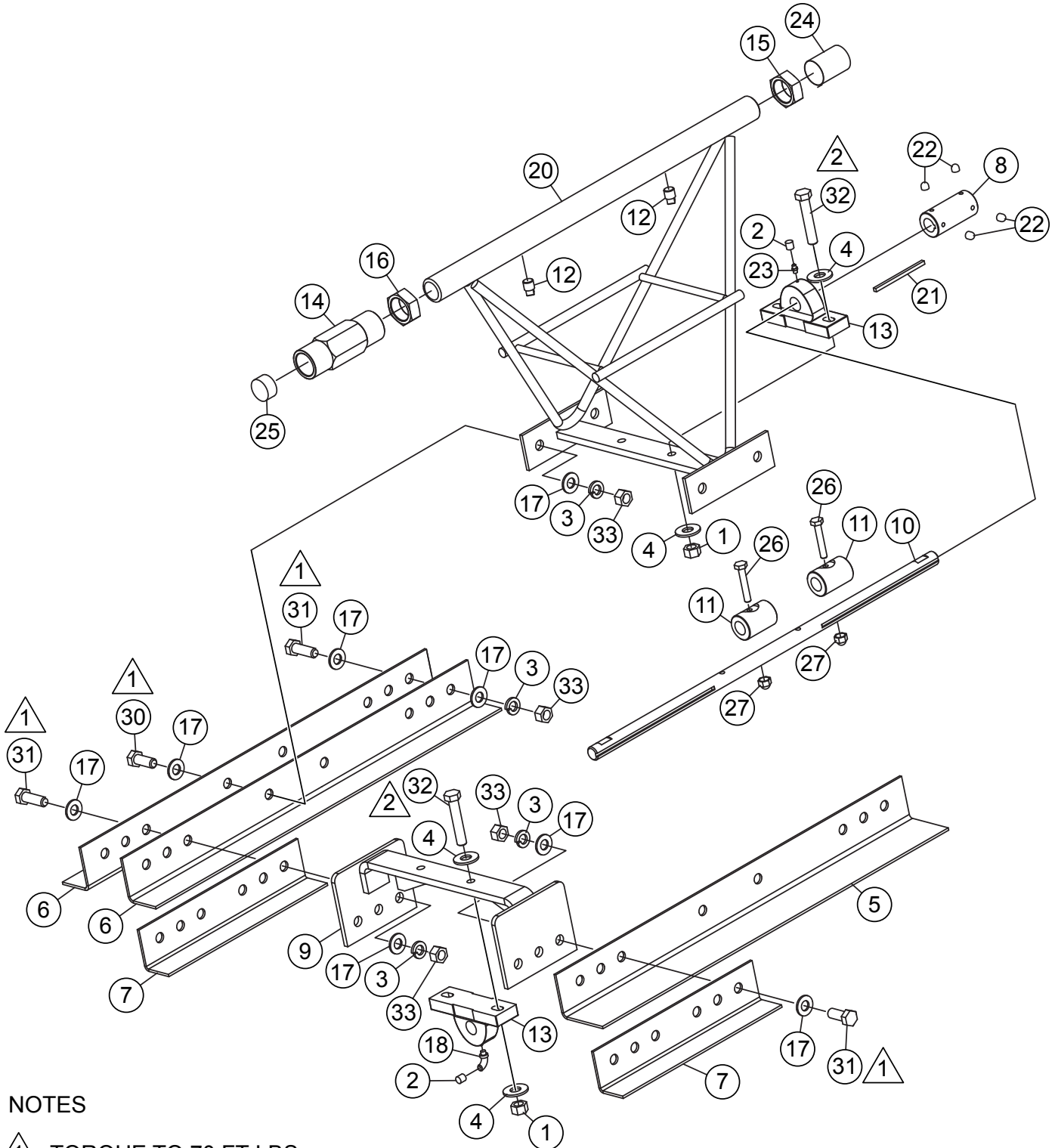
NAMEPLATE AND DECALS



NAMEPLATE AND DECALS

<u>NO.</u>	<u>PART NO.</u>	<u>PART NAME</u>	<u>QTY.</u>	<u>REMARKS</u>
1	36184	DECAL, "MULTIQUIP"	2	
2	26395	DECAL, PINCH POINTS	4	
3	26339	DECAL, MOVING PARTS	A/R	
4	26396	DECAL, DO NOT CROWN	A/R	
5	20816	DECAL, GUARD RING, MQ MULTIQUIP, .75 X 6	A/R	
6	36671	DECAL, ENTANGLEMENT DANGER.....	A/R	WSHE UNITS ONLY
7	26481	DECAL, WINCH SPEED CONTROL	1	WSHE UNITS ONLY
8	36099	DECAL, PROTECTIVE CLOTHING	1	
9	11092	DECAL, CE	A/R	
10	924801	DECAL, SAFETY INSTRUCTION.....	1	WSHE UNITS ONLY
11	20525	DECAL, WARNING "PROP 65"	1	WSHE UNITS ONLY
12	35137	DECAL, READ MANUAL ASK FR TRAINING	1	
13	26338	DECAL, LUBRICATION REQUIRED	A/R	WSHA UNITS ONLY

WSHE20 SECTION ASSY.



NOTES

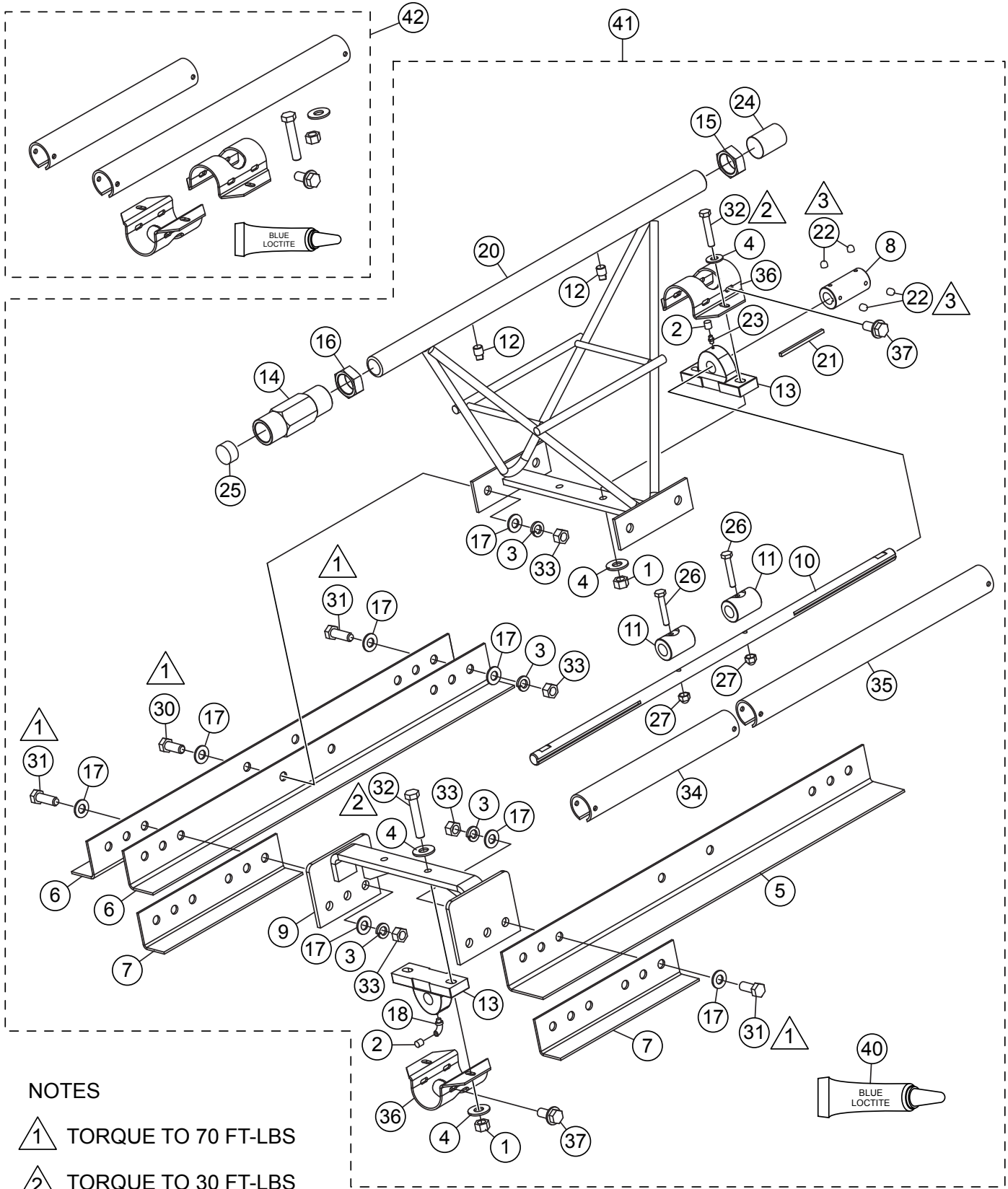
1 TORQUE TO 70 FT-LBS

2 TORQUE TO 30 FT-LBS

WSHE20 SECTION ASSY.

<u>NO.</u>	<u>PART NO.</u>	<u>PART NAME</u>	<u>QTY.</u>	<u>REMARKS</u>
1	10133	NUT, NYLOC 3/8-16	4	
2	1162 A	CAP, GREASE ZERK #2	2	
3	12220	WASHER, LOCK 1/2 HIGH STRENGTH	16	
4	13351	WASHER, FLAT 3/8 PLTD USS HEAVY	8	
5	26058	BLADE, 2' X 3W	1	
6	26059	BLADE, 2' X 2W	2	
7	16126	ANGLE, BLADE CONNECTOR	2	
8	16141	COUPLER, DRIVE SHAFT	1	
9	16170	BRACKET, BEARING MOUNT	1	
10	26076	SHAFT, DRIVE 2'	1	
11	16179	WEIGHT, SHAFT VIBRATION	2	
12	16185	FITTING, PLUG 1/4 MP SQ HEAD	2	
13	16194	BEARING, PILLOW BLOCK	2	
14	16514	TURNBUCKLE 1-5/16-16	1	
15	16515	NUT, JAM 1-5/16-16 RIGHT HAND	1	
16	16516	NUT, JAM 1-5/16-16 LEFT HAND	1	
17	16630	WASHER, FLAT SAE 1/2 HIGH STRENGTH	32	
18	16749	ZERK, GREASE 90 1/4-28	1	
20		FRAME, STEEL 2'	1	NO LONGER AVAILABLE
21	26093	KEY, .1875 SQ X 3.5 304 SS	1	
22	26091	SCREW, SHS 1/4-28 X 1/4	4	
23	2621	ZERK, GREASE	2	INCLUDED WITH ITEM 13
24	26199	CAP, PIPE CAPPLUGS RCL-16	1	
25	26205	CAP, TURNBUCKLE CAP PLUGS 14-X	1	
26	26251	SCREW, HHC 1/4-20 X 1-1/2 GRD8	2	
27	26252	NUT, NYLOC 1/4-20 GRD 8	2	
30	3214	SCREW, HHC 1/2-13 X 1-1/4	4	
31	5218	SCREW, HHC 1/2-13 X 1-1/2	12	
32	1665	SCREW, HHC 3/8-16 X 2.....	4	REPLACES P/N 9154
33	968011	NUT, HEX FINISH 1/2-13	16	

WSHE25 SECTION ASSY.



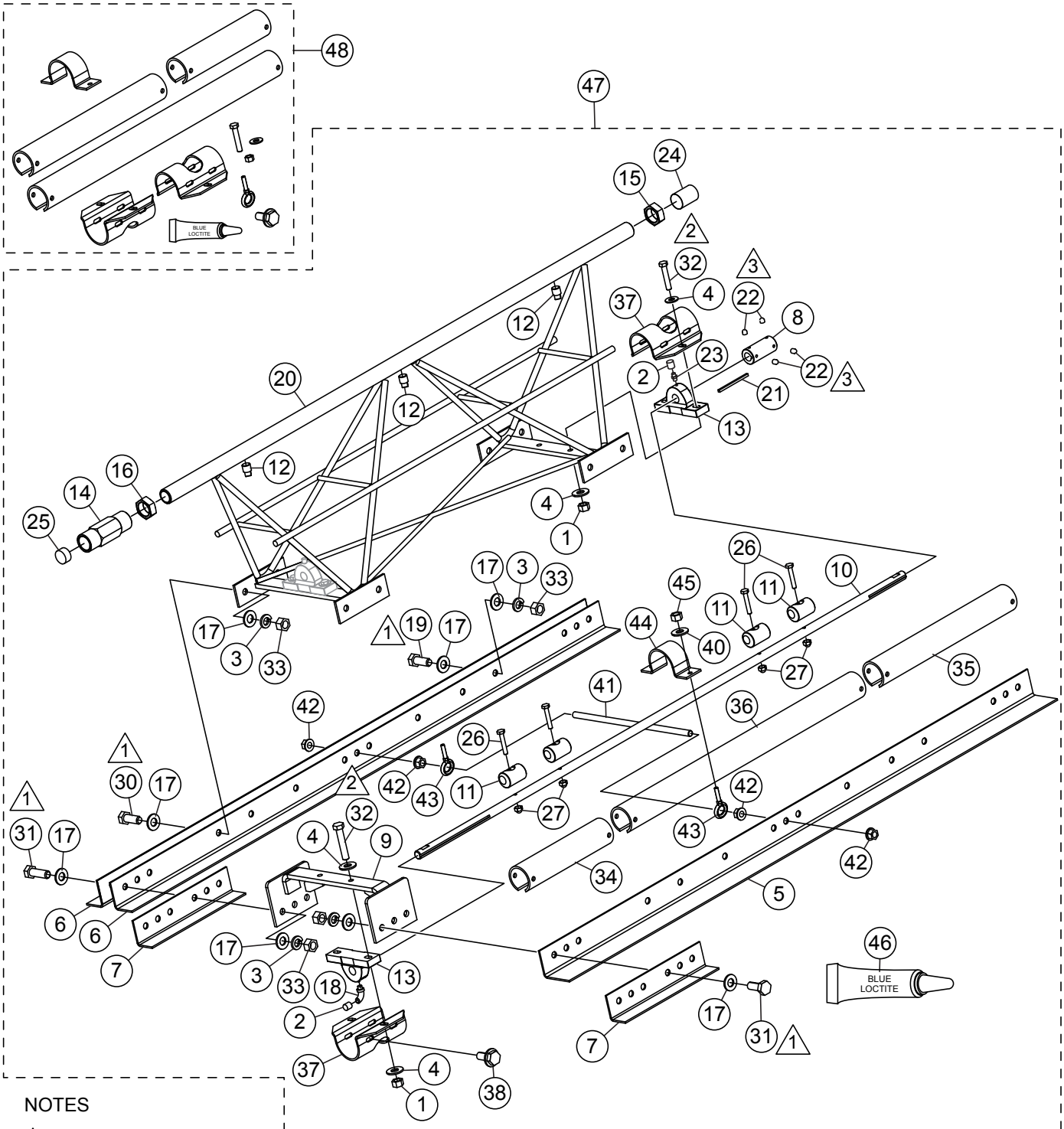
NOTES

- ① TORQUE TO 70 FT-LBS
- ② TORQUE TO 30 FT-LBS
- ③ APPLY LOCTITE #242 BLUE

WSHE25 SECTION ASSY.

<u>NO.</u>	<u>PART NO.</u>	<u>PART NAME</u>	<u>QTY.</u>	<u>REMARKS</u>
1@%	10133	NUT, NYLOC 3/8-16	4	
2@	1162 A	CAP, GREASE ZERK #2	2	
3@	12220	WASHER, LOCK 1/2 HIGH STRENGTH	16	
4@%	13351	WASHER, FLAT 3/8 PLTD USS HEAVY	8	
5@	16106	BLADE, 2-1/2' X 3W	1	
6@	16110	BLADE, 2-1/2' X 2W	2	
7@	16126	ANGLE, BLADE CONNECTOR	2	
8@	16141	COUPLER, DRIVE SHAFT	1	
9@	16170	BRACKET, BEARING MOUNT	1	
10@	16175	SHAFT, DRIVE 2.5'	1	
11@	16179	WEIGHT, SHAFT VIBRATION	2	
12@	16185	FITTING, PLUG 1/4 MP SQ HEAD	2	
13@	16194	BEARING, PILLOW BLOCK	2	
14@	16514	TURNBUCKLE 1-5/16-16	1	
15@	16515	NUT, JAM 1-5/16-16 RIGHT HAND	1	
16@	16516	NUT, JAM 1-5/16-16 LEFT HAND	1	
17@	16630	WASHER, FLAT SAE 1/2 HIGH STRENGTH	32	
18@	16749	ZERK, GREASE 90 1/4-28	1	
20@	26045	FRAME, STEEL 2-1/2'	1	
21@	26093	KEY, .1875 SQ X 3.5 304 SS	1	
22@%	26091	SCREW, SHS 1/4-28 X 1/4	4	
23@	2621	ZERK, GREASE	2	INCLUDED WITH ITEM 13
24@	26199	CAP, PIPE CAPPLUGS RCL-16	1	
25@	26205	CAP, TURNBUCKLE CAP PLUGS 14-X	1	
26@	26251	SCREW, HHC 1/4-20 X 1-1/2 GRD8	2	
27@	26252	NUT, NYLOC 1/4-20 GRD 8	2	
30@	3214	SCREW, HHC 1/2-13 X 1-1/4	4	
31@	5218	SCREW, HHC 1/2-13 X 1-1/2	12	
32@%	1665	SCREW, HHC 3/8-16 X 2.....	4	REPLACES P/N 9154
33@	968011	NUT, HEX FINISH 1/2-13	16	
34@%	36602	TUBE ASSY, 10.5"	1	
35@%	36604	TUBE ASSY, 16.5"	1	
36@%	36589	MOUNT, TUBE	2	
37@%	49048	SCREW, HHFS 1/4-20 X .75	8	
40@%	1477	LOCTITE #242 BLUE .5CC BOTTLE	1	
41	WSHE25	SCREED, ENGINE 2.5' SECTION ASSY.....	1	INCLUDES ITEMS W/@
42	36580	WSHE25 CE KIT.....	1	INCLUDES ITEMS W/%

WSHE50 SECTION ASSY.



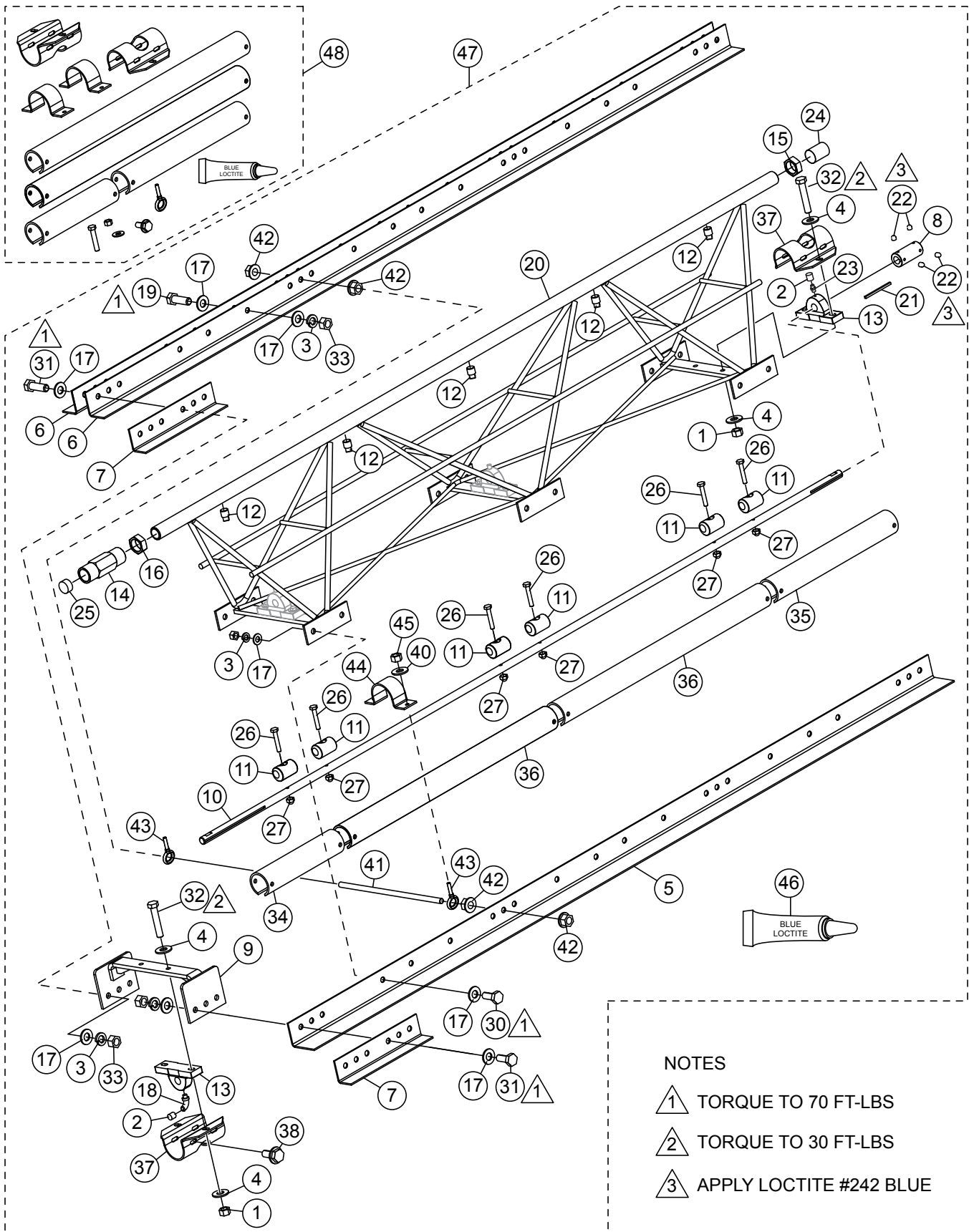
NOTES

- 1 TORQUE TO 70 FT-LBS
- 2 TORQUE TO 30 FT-LBS
- 3 APPLY LOCTITE #242 BLUE



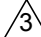
WSHE50 SECTION ASSY.

<u>NO.</u>	<u>PART NO.</u>	<u>PART NAME</u>	<u>QTY.</u>	<u>REMARKS</u>
1@%	10133	NUT, NYLOC 3/8-16	6	
2@	1162 A	CAP, GREASE ZERK #2	3	
3@	12220	WASHER, LOCK 1/2 HIGH STRENGTH	22	
4@%	13351	WASHER, FLAT 3/8 PLTD USS HEAVY	12	
5@	16107	BLADE, 5' X 3W	1	
6@	16111	BLADE, 5' X 2W	2	
7@	16126	ANGLE, BLADE CONNECTOR	2	
8@	16141	COUPLER, DRIVE SHAFT	1	
9@	16170	BRACKET, BEARING MOUNT	1	
10@	16176	SHAFT, DRIVE 59-3/4"	1	
11@	16179	WEIGHT, SHAFT VIBRATION	4	
12@	16185	FITTING, PLUG 1/4 MP SQ HEAD	3	
13@	16194	BEARING, PILLOW BLOCK	3	
14@	16514	TURNBUCKLE 1-5/16-16	1	
15@	16515	NUT, JAM 1-5/16-16 RIGHT HAND	1	
16@	16516	NUT, JAM 1-5/16-16 LEFT HAND	1	
17@	16630	WASHER, FLAT SAE 1/2 HIGH STRENGTH	44	
18@	16749	ZERK, GREASE 90 1/4-28	1	
19@	2691	SCREW, HHC 1/2-13 X 1	2	
20@	26047	FRAME, STEEL 5'	1	
21@	26093	KEY, .1875 SQ X 3.5 304 SS	1	
22@%	26091	SCREW, SHS 1/4-28 X 1/4	4	
23@	2621	ZERK, GREASE	3.....	INCLUDED WITH ITEM 13
24@	26199	CAP, PIPE CAPPLUGS RCL-16	1	
25@	26205	CAP, TURNBUCKLE CAP PLUGS 14-X	1	
26@	26251	SCREW, HHC 1/4-20 X 1-1/2 GRD8	4	
27@	26252	NUT, NYLOC 1/4-20 GRD 8	4	
30@	3214	SCREW, HHC 1/2-13 X 1-1/4	8	
31@	5218	SCREW, HHC 1/2-13 X 1-1/2	12	
32@%	1665	SCREW, HHC 3/8-16 X 2.....	6.....	REPLACES P/N 9154
33@	968011	NUT, HEX FINISH 1/2-13	22	
34@%	36602	TUBE ASSY, 10.5"	1	
35@%	36604	TUBE ASSY, 16.5"	1	
36@%	36606	TUBE ASSY, 28.5"	1	
37@%	36589	MOUNT, TUBE	3	
38@%	49048	SCREW, HHFS 1/4-20 X .75	12	
41@	26073	STUD, 1/2-NC X 14 LG	1	
42@	26328	NUT, FLANGED .5	4	
43@%	36597	BOLT, EYE 1/4 X 2.0"	2	
44@%	36595	STRAP, TUBE	1	
45@%	10024	NUT, NYLOC 1/4-20	2	
46@%	1477	LOCTITE #242 BLUE .5CC BOTTLE	1	
47	WSHE50	SCREED, ENGINE 5' SECTION ASSY.....	1.....	INCLUDES ITEMS W/@
48	36581	WSHE50 CE KIT.....	1.....	INCLUDES ITEMS W/%

WSHE75 SECTION ASSY.



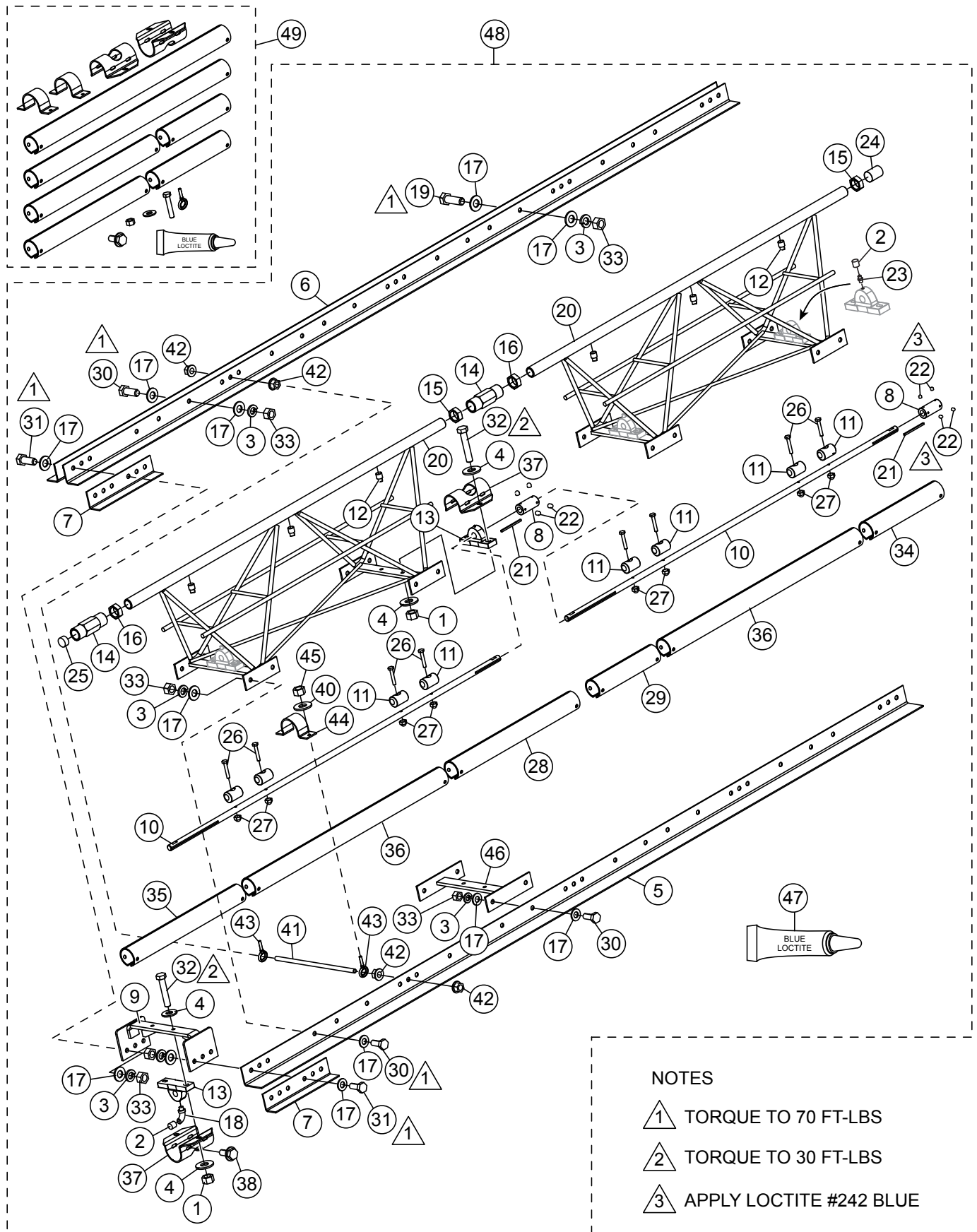
NOTES

-  TORQUE TO 70 FT-LBS
-  TORQUE TO 30 FT-LBS
-  APPLY LOCTITE #242 BLUE

WSHE75 SECTION ASSY.

<u>NO.</u>	<u>PART NO.</u>	<u>PART NAME</u>	<u>QTY.</u>	<u>REMARKS</u>
1@%	10133	NUT, NYLOC 3/8-16	8	
2@	1162 A	CAP, GREASE ZERK #2	4	
3@	12220	WASHER, LOCK 1/2 HIGH STRENGTH	28	
4@%	13351	WASHER, FLAT 3/8 PLTD USS HEAVY	16	
5@	16107	BLADE, 7.5' X 3W	1	
6@	16111	BLADE, 7.5' X 2W	2	
7@	16126	ANGLE, BLADE CONNECTOR	2	
8@	16141	COUPLER, DRIVE SHAFT	1	
9@	16170	BRACKET, BEARING MOUNT	1	
10@	16177	SHAFT, DRIVE 7.5'	1	
11@	16179	WEIGHT, SHAFT VIBRATION	6	
12@	16185	FITTING, PLUG 1/4 MP SQ HEAD	5	
13@	16194	BEARING, PILLOW BLOCK	4	
14@	16514	TURNBUCKLE 1-5/16-16	1	
15@	16515	NUT, JAM 1-5/16-16 RIGHT HAND	1	
16@	16516	NUT, JAM 1-5/16-16 LEFT HAND	1	
17@	16630	WASHER, FLAT SAE 1/2 HIGH STRENGTH	56	
18@	16749	ZERK, GREASE 90 1/4-28	1	
19@	2691	SCREW, HHC 1/2-13 X 1	4	
20@	26049	FRAME, STEEL 7.5'	1	
21@	26093	KEY, .1875 SQ X 3.5 304 SS	1	
22@%	26091	SCREW, SHS 1/4-28 X 1/4	4	
23@	2621	ZERK, GREASE	4	INCLUDED WITH ITEM 13
24@	26199	CAP, PIPE CAPPLUGS RCL-16	1	
25@	26205	CAP, TURNBUCKLE CAP PLUGS 14-X	1	
26@	26251	SCREW, HHC 1/4-20 X 1-1/2 GRD8	6	
27@	26252	NUT, NYLOC 1/4-20 GRD 8	4	
30@	3214	SCREW, HHC 1/2-13 X 1-1/4	12	
31@	5218	SCREW, HHC 1/2-13 X 1-1/2	12	
32@%	1665	SCREW, HHC 3/8-16 X 2.....	8	REPLACES P/N 9154
33@	968011	NUT, HEX FINISH 1/2-13	28	
34@%	36602	TUBE ASSY, 10.5"	1	
35@%	36604	TUBE ASSY, 16.5"	1	
36@%	36606	TUBE ASSY, 28.5"	2	
37@%	36589	MOUNT, TUBE	4	
38@%	49048	SCREW, HHFS 1/4-20 X .75	16	
41@	26073	STUD, 1/2-NC X 14 LG	2	
42@	26328	NUT, FLANGED .5	8	
43@%	36597	BOLT, EYE 1/4 X 2.0"	4	
44@%	36595	STRAP, TUBE	2	
45@%	10024	NUT, NYLOC 1/4-20	4	
46@%	1477	LOCTITE #242 BLUE .5CC BOTTLE	1	
47	WSHE75	SCREED, ENGINE 7.5' SECTION ASSY	1	INCLUDES ITEMS W/@
48	36582	WSHE75 CE KIT.....	1	INCLUDES ITEMS W/%

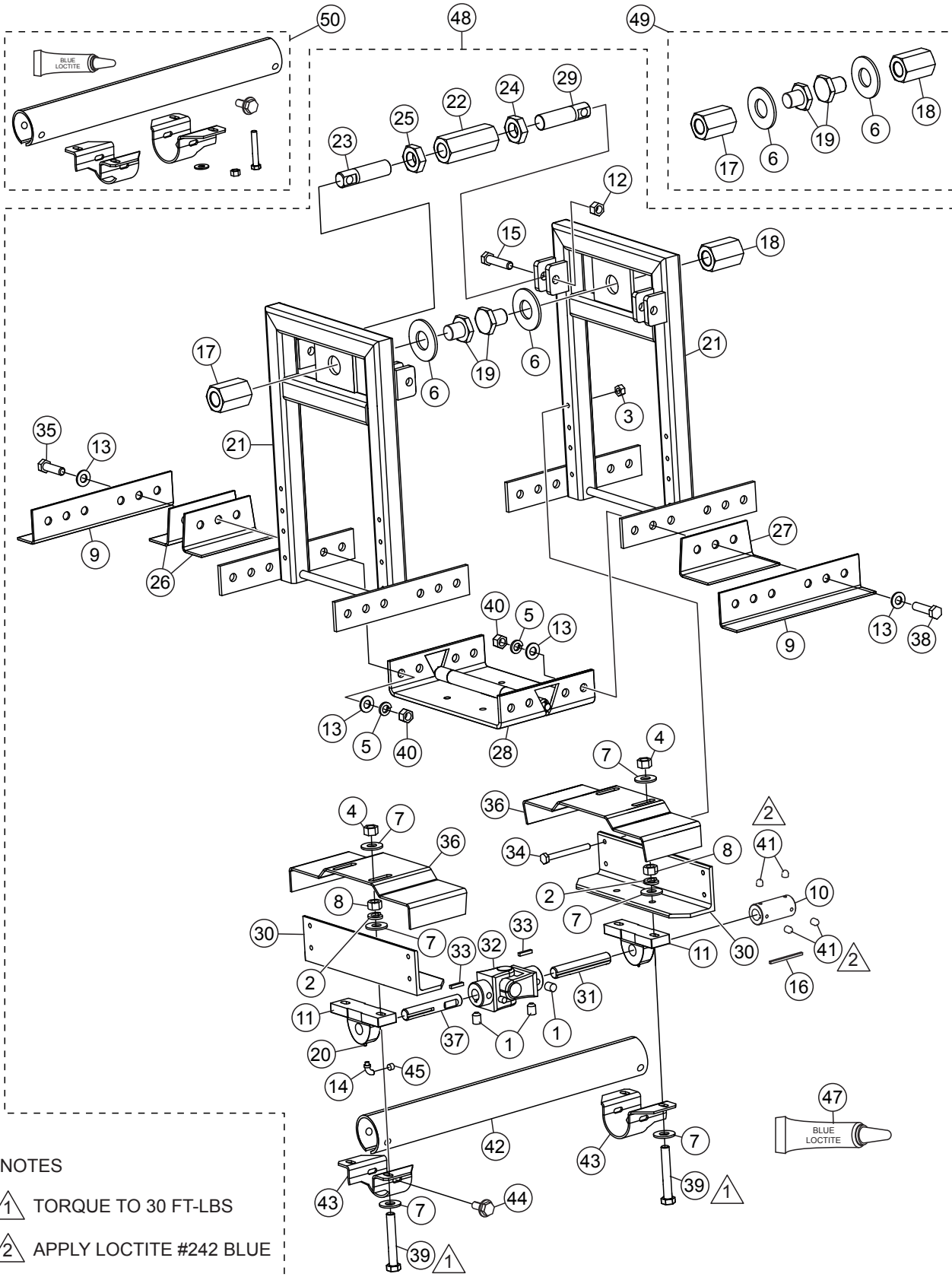
WSHE100 SECTION ASSY.



WSHE100 SECTION ASSY.

<u>NO.</u>	<u>PART NO.</u>	<u>PART NAME</u>	<u>QTY.</u>	<u>REMARKS</u>
1@%	10133	NUT, NYLOC 3/8-16	12	
2@	1162 A	CAP, GREASE ZERK #2	6	
3@	12220	WASHER, LOCK 1/2 HIGH STRENGTH	38	
4@%	13351	WASHER, FLAT 3/8 PLTD USS HEAVY	24	
5@	16109	BLADE, 10' X 3W	1	
6@	16113	BLADE, 10' X 2W	2	
7@	16126	ANGLE, BLADE CONNECTOR	2	
8@	16141	COUPLER, DRIVE SHAFT	2	
9@	16170	BRACKET, BEARING MOUNT	1	
10@	16176	SHAFT, DRIVE 59-3/4"	2	
11@	16179	WEIGHT, SHAFT VIBRATION	8	
12@	16185	FITTING, PLUG 1/4 MP SQ HEAD	6	
13@	16194	BEARING, PILLOW BLOCK	6	
14@	16514	TURNBUCKLE 1-5/16-16	2	
15@	16515	NUT, JAM 1-5/16-16 RIGHT HAND	2	
16@	16516	NUT, JAM 1-5/16-16 LEFT HAND	2	
17@	16630	WASHER, FLAT SAE 1/2 HIGH STRENGTH	76	
18@	16749	ZERK, GREASE 90 1/4-28	1	
19@	2691	SCREW, HHC 1/2-13 X 1	6	
20@	26047	FRAME, STEEL 5'	2	
21@	26093	KEY, .1875 SQ X 3.5 304 SS	2	
22@%	26091	SCREW, SHS 1/4-28 X 1/4	8	
23@	2621	ZERK, GREASE	5.....	INCLUDED WITH ITEM 13
24@	26199	CAP, PIPE CAPPLUGS RCL-16	1	
25@	26205	CAP, TURNBUCKLE CAP PLUGS 14-X	1	
26@	26251	SCREW, HHC 1/4-20 X 1-1/2 GRD8	8	
27@	26252	NUT, NYLOC 1/4-20 GRD 8	8	
28@	36605	TUBE ASSY, 18.0"	1	
29@	36601	TUBE ASSY, 9.0"	1	
30@	3214	SCREW, HHC 1/2-13 X 1-1/4	20	
31@	5218	SCREW, HHC 1/2-13 X 1-1/2	12	
32@%	1665	SCREW, HHC 3/8-16 X 2.....	12.....	REPLACES P/N 9154
33@	968011	NUT, HEX FINISH 1/2-13	38	
34@%	36602	TUBE ASSY, 10.5"	1	
35@%	36604	TUBE ASSY, 16.5"	1	
36@%	36606	TUBE ASSY, 28.5"	2	
37@%	36589	MOUNT, TUBE	6	
38@%	49048	SCREW, HHFS 1/4-20 X .75	24	
41@	26073	STUD, 1/2-NC X 14 LG	2	
42@	26328	NUT, FLANGED .5	8	
43@%	36597	BOLT, EYE 1/4 X 2.0"	4	
44@%	36595	STRAP, TUBE	2	
45@%	10024	NUT, NYLOC 1/4-20	4	
46@	26075	MOUNT, BEARING 10' SECTION	1	
47@%	1477	LOCTITE #242 BLUE .5CC BOTTLE	1	
48	WSHE100	SCREED, ENGINE 10' SECTION ASSY.....	1.....	INCLUDES ITEMS W/@
49	36583	WSHE100 CE KIT.....	1.....	INCLUDES ITEMS W/%

WSHEIC INVERT/CROWN KIT ASSY.



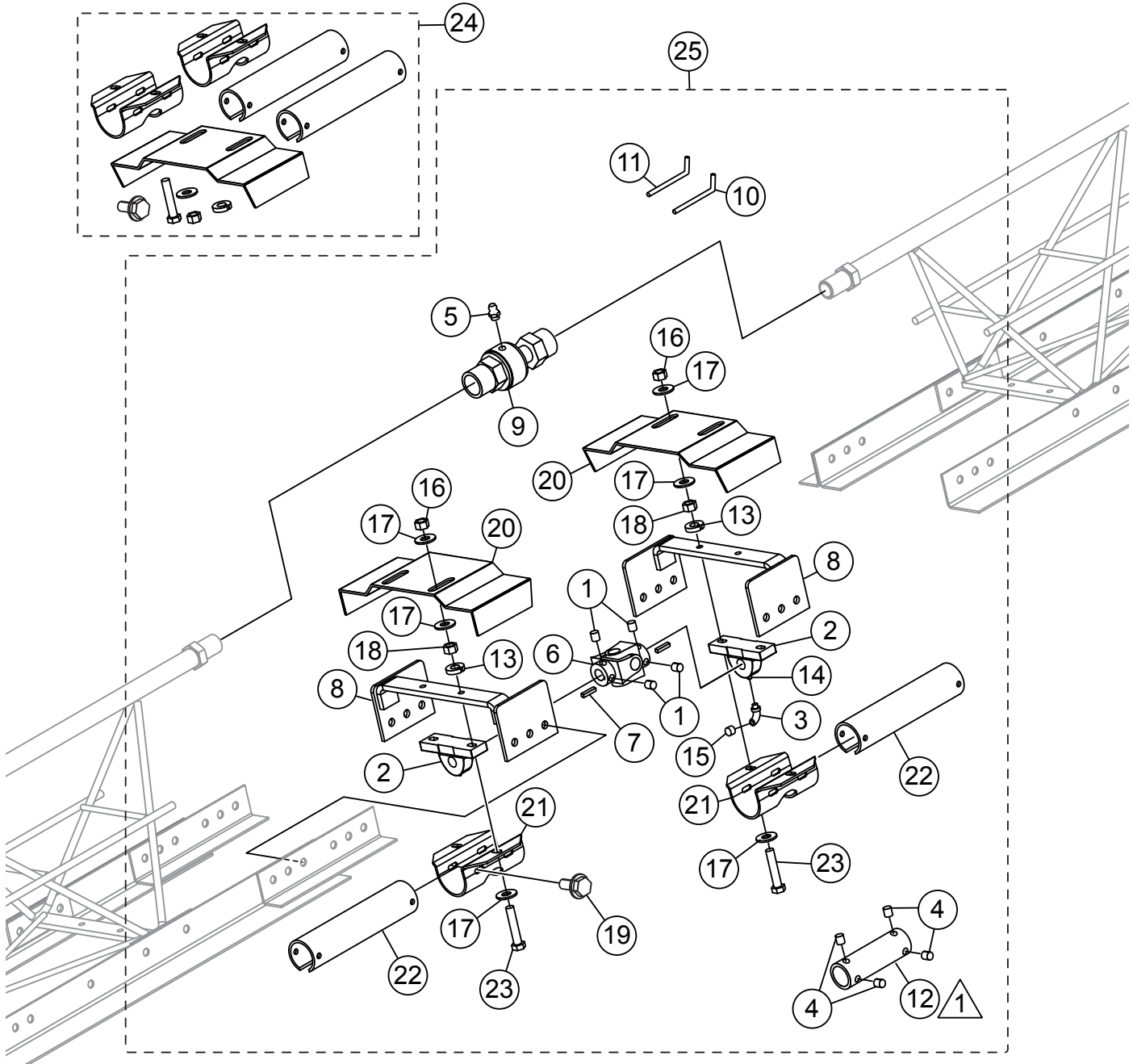
NOTES

- 1 TORQUE TO 30 FT-LBS
- 2 APPLY LOCTITE #242 BLUE


WSHEIC INVERT/CROWN KIT ASSY.

<u>NO.</u>	<u>PART NO.</u>	<u>PART NAME</u>	<u>QTY.</u>	<u>REMARKS</u>
1@	0122 C	SCREW, SHS 3/8-16 X 1/2	4	
2@	0166 A	WASHER, LOCK 3/8 MED	4	
3@	10024	NUT, NYLOC 1/4-20	8	
4@#	10133	NUT, NYLOC 3/8-16	4	
5@	12220	WASHER, LOCK, 1/2 HIGH STRENGTH	18	
6@%	3264	WASHER, FLAT SAE 1.00	2	
7@#	13351	WASHER, FLAT 3/8 PLTD USS HEAVY	12	
8@	1456	NUT, HEX FINISH 3/8-16	4	
9@	16126	ANGLE, BLADE CONNECTOR	4	
10@	16141	COUPLER, DRIVE SHAFT	1	
11@	16194	BEARING, PILLOW BLOCK	2	
12@	16629	NUT, NYLOC 1/2-13	4	
13@	16630	WASHER, FLAT 1/2 SAE HARDENED	36	
14@	16749	ZERK, GREASE 1/4-28, 90 DEGREE	2	
15@	16781	SCREW, HHC 1/2-13 X 2-1/4	4	
16@	26093	KEY, 3/16 SQ. X 3-1/2	1	
17@	26098	ADAPTER, STABILIZER END R/H	1	
18@%	26099	ADAPTER, STABILIZER END L/H	1	
19@%	26100	BOLT, 1.0-14 X 1.25 UNS-2A THREAD	2	
20@	2621	ZERK, GREASE	2INCLUDED WITH ITEM 11
21@	26347	INVERT, CROWN TOWER	2	
22@	26350	TURNBUCKLE, INVERT/CROWN	2	
23@	26352	ROD, RH TURNBUCKLE	2	
24@	26353	NUT, JAM LH 1-14	2	
25@	26354	NUT, JAM RH 1-14	2	
26@	26355	BLADE, SECTION-FRONT	4	
27@	26356	BLADE, SECTION-BACK	2	
28@	26361	HINGE, INVERT/CROWN	1	
29@	26364	ROD, LH TURNBUCKLE	2	
30@	26380	MOUNT, INVERT/CROWN BEARING	2	
31@	26382	SHAFT, STUB-INVERT/CROWN	1	
32@	26383	JOINT, UNIVERSAL 3/4 DIA	1	
33@	26384	KEY, 3/16 SQ. X 1	2	
34@	26385	SCREW, HHC 1/4-20 X 2-1/4 GRD 8	8	
35@	3242	SCREW, HHC 1/2-13 X 1-3/4	10	
36@	36257	GUARD, SHAFT, WSHEIC	2	
37@	36632	SHAFT, STUB 2 KEYWAY	1	
38@	6159 A	SCREW, HHC 1/2-13 X 2	8	
39@#	8156	SCREW, HHC 3/8-16 X 2-1/2	4	
40@	968011	NUT, HEX FINISH 1/2-13	18	
41@#	26091	SCREW, SHS 1/4-28 X 1/4	4	
42@#	36604	TUBE ASSY, 16.5"	1	
43@#	36591	MOUNT, HALF TUBE	2	
44@#	49048	SCREW, HHFS 1/4-20 X .75	6	
45@	1162 A	CAP, GREASE ZERK #2	2	
47@#	1477	LOCTITE #242 BLUE .5CC BOTTLE	1	
48	WSHEIC	INVERT/CROWN KIT, WSHEIC	1INCLUDES ITEMS W/@
49	26435	KIT, HARDWARE ENGINE.....	1INCLUDES ITEMS W/%
50	36585	WSHEIC CE KIT	1INCLUDES ITEMS W/#

WSHEKITUJ ASSY.



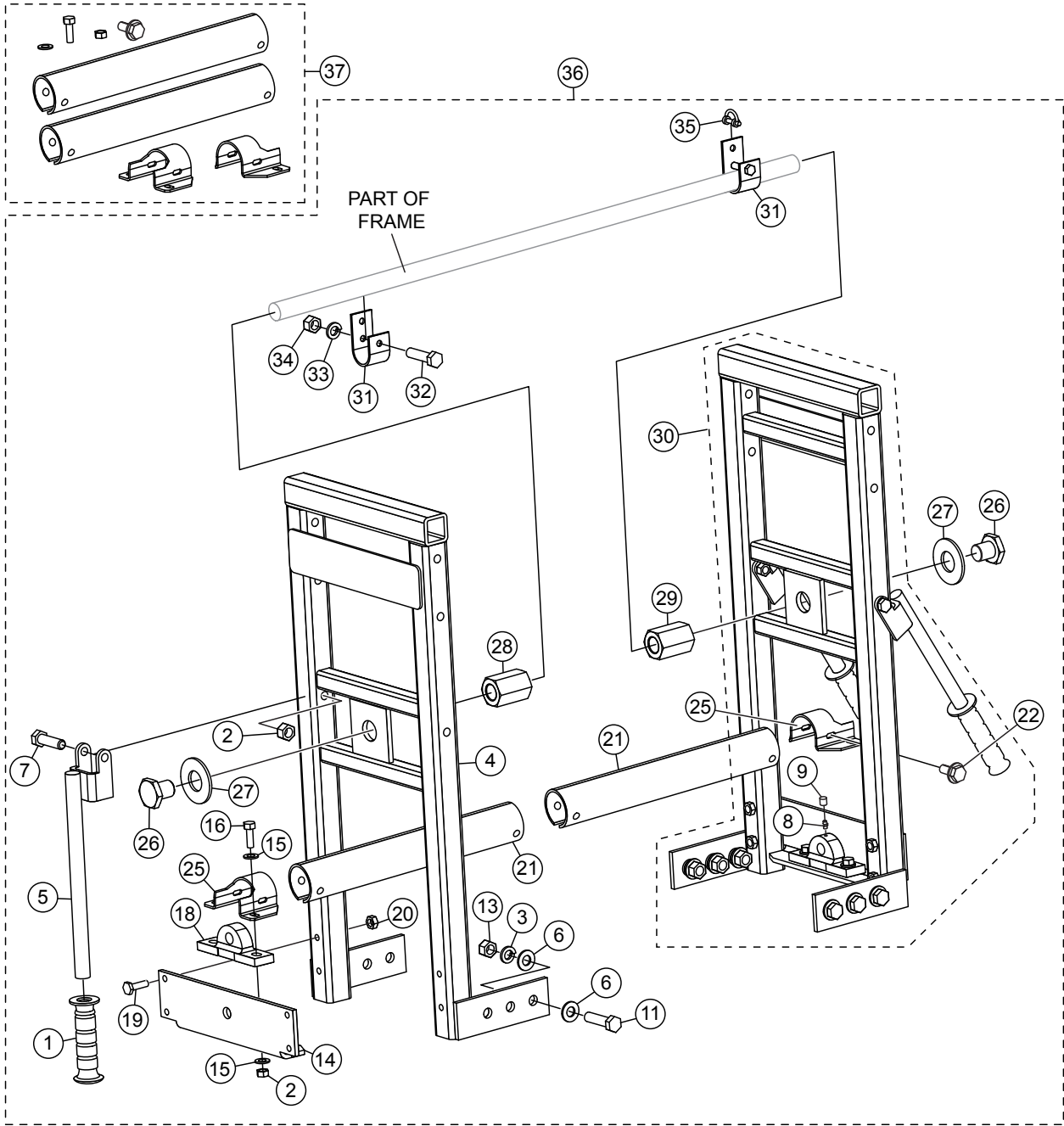
NOTES

-  USE LONG COUPLER
WHEN UNIVERSAL
JOINT AT DRIVE
SHAFT IS REMOVED

WSHEKITUJ ASSY.

<u>NO.</u>	<u>PART NO.</u>	<u>PART NAME</u>	<u>QTY.</u>	<u>REMARKS</u>
1%	0122 C	SCREW, SHS 3/8-16 X 1/2	4	
2%	16194	BEARING, PILLOW BLOCK	2	
3%	16749	ZERK, GREASE 1/4-28, 90 DEGREE	2	
4%	26091	SCREW, SHS 1/4-28 X 1/4	4	
5%	2621	ZERK, GREASE STR 1/4-28	1	
6%	26383	JOINT, UNIVERSAL 3/4 DIA	1	
7%	26384	KEY, 3/16 SQ. X 1	2	
8%	26417	BRACKET, UNIVERSAL JOINT	2	
9%	26422	JOINT, UNIVERSAL	1	
10%	26441	HEX KEY, 3/16 LONG HANDLE	1	
11%	26442	HEX KEY, 1/8, LONG HANDLE	1	
12%	36673	COUPLER, DRIVE SHAFT, LONG	1	
13%@	0166 A	WASHER, LOCK 3/8 MED	4	
14%	2621	ZERK, GREASE	2	INCLUDED WITH ITEM 2
15%	1162 A	CAP, GREASE ZERK #2	2	
16%@	10133	NUT, NYLOC 3/8-16	4	
17%@	13351	WASHER, FLAT 3/8 PLTD USS HEAVY	20	
18%@	1456	NUT, HEX FINISH 3/8-16	4	
19%@	49048	SCREW, HHFS 1/4-20 X .75	4	
20%@	36257	GUARD, SHAFT, WSHEIC	2	
21%@	36591	MOUNT, HALF TUBE	2	
22%@	36601	TUBE ASSY, 9.0"	2	
23%@	8156	SCREW, HHC 3/8-16 X 2-1/2	4	
24%	36657	WSHEKITUJ CE KIT.....	1	INCLUDES ITEMS W/@
25	WSHEKITUJ	UNIVERSAL JOINT KIT ASSY.....	1	INCLUDES ITEMS W/%

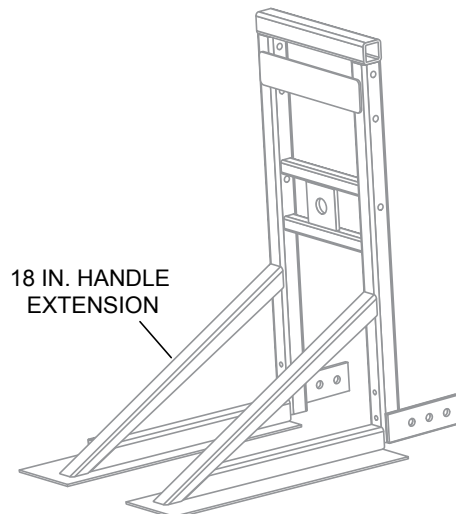
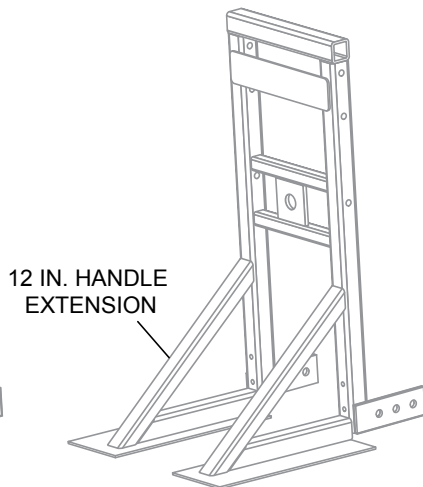
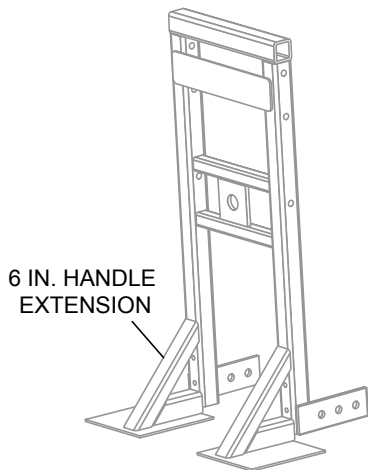
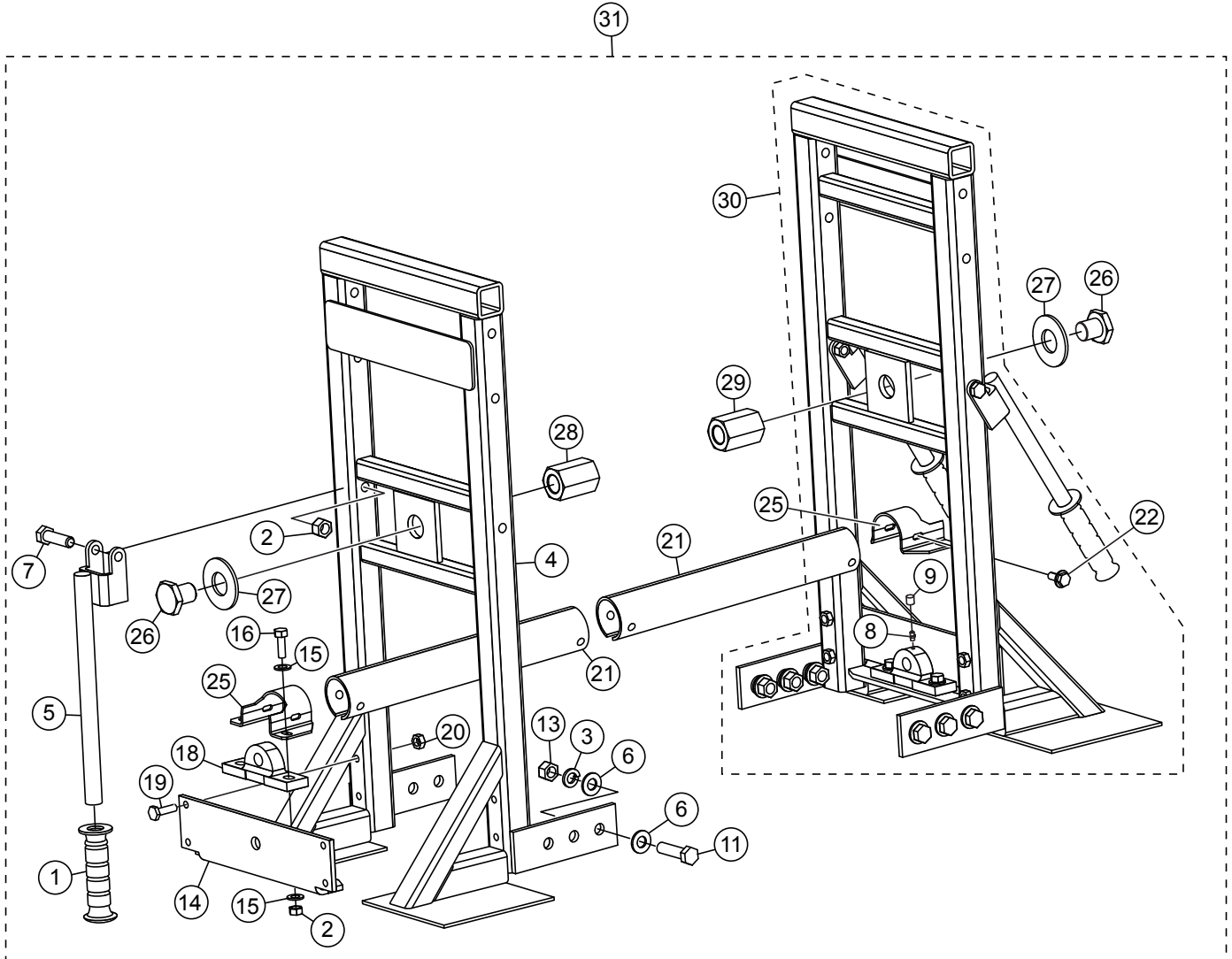
WSHEH END HANDLE KIT



WSHEH END HANDLE KIT

<u>NO.</u>	<u>PART NO.</u>	<u>PART NAME</u>	<u>QTY.</u>	<u>REMARKS</u>
1@#	0189	GRIP, HANDLE	4	
2@#	10133	NUT, NYLOC 3/8-16	4	
3@#	12220	WASHER, LOCK 1/2 HIGH STRENGTH	12	
4@#	16159	FRAME, END ADAPTOR	2	
5@#	16195	HANDLE, SCREED	4	
6@#	16630	WASHER, FLAT 1/2 SAE HARDENED	24	
7@#	1665	SCREW, HHC 3/8-16 X 2	4	
8@#	2621	ZERK, GREASE	1INCLUDED WITH ITEM 18
9@#	1162 A	CAP, GREASE ZERK #2	1	
11@#	3242	SCREW, HHC 1/2-13 X 1-3/4	12	
13@#	968011	NUT, HEX FINISH 1/2-13	12	
14@#	16154	MOUNT, END SECTION BEARING	1	
15@#	13351	WASHER, FLAT 3/8 PLTD USS HEAVY	8	
16@#	1665	SCREW, HHC 3/8-16 X 2	2	
18@#	16194	BEARING, PILLOW BLOCK	1	
19@#	26250	SCREW, HHC 1/4-20 X 1-3/4	8	
20@#	10024	NUT, NYLOC 1/4-20	8	
21@%	36646	TUBE ASSY, 12.63"	2	
22@%	49048	SCREW, HHFS 1/4-20 X .75	8	
25@%	36591	MOUNT, HALF TUBE	2	
26@	26100	BOLT, 1.0-14 X 1.25 UNS-2A THREAD	2	
27@	3264	WASHER, FLAT SAE 1.00	2	
28@	26099	ADAPTER, STABILIZER END L/H	1	
29@	26098	ADAPTER, STABILIZER END R/H	1	
30@	26102	END HANDLE ASSY.....	1INCLUDES ITEMS W/#
31@	26085	HANGER, SCREED LIFTING	2	
32@	4370	SCREW, HHC 3/8-16 X 2-1/4	2	
33@	0166 A	WASHER, LOCK 3/8 MED	2	
34@	1456	NUT, HEX FINISH 3/8-16	2	
35@	26135	SHACKLE, HANGER	2	
36	WSHEH	END HANDLE KIT	1INCLUDES ITEMS W/@
37	36647	WSHEH CE KIT	1INCLUDES ITEMS W/%

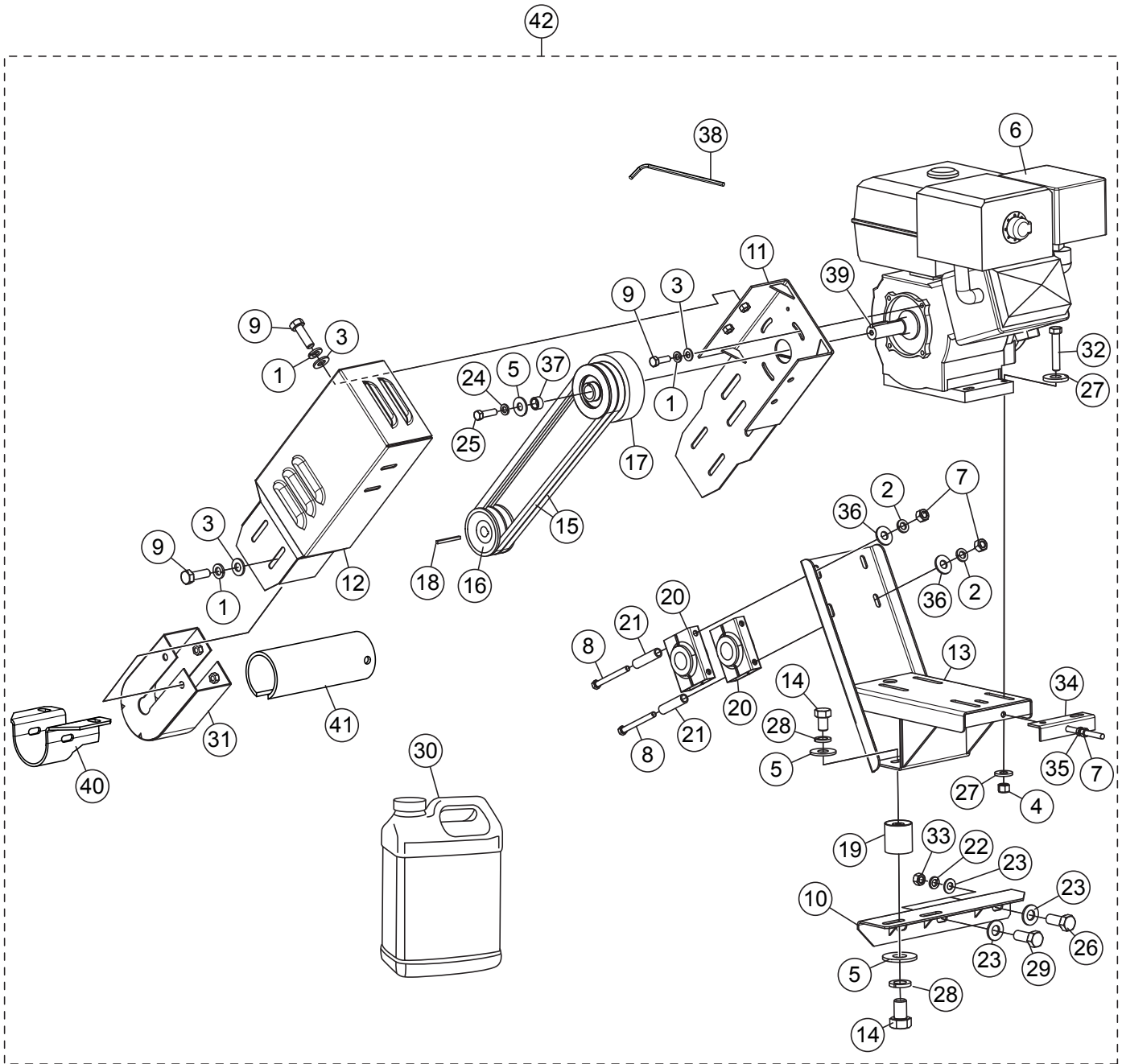
WSHEEXT6/12/18 END HANDLE EXTENSION KIT



WSHEEXT6/12/18 END HANDLE EXTENSION KIT

<u>NO.</u>	<u>PART NO.</u>	<u>PART NAME</u>	<u>QTY.</u>	<u>REMARKS</u>
1@#\$%+=	0189	GRIP, HANDLE	4	
2@#\$%+=	10133	NUT, NYLOC 3/8-16	4	
3@#\$%+=	12220	WASHER, LOCK 1/2 HIGH STRENGTH	12	
4@%	26375	6 IN. HANDLE EXT, ENG END	2	
4#+	26374	12 IN. HANDLE EXT, ENG END	2	
4\$=	26376	18 IN. HANDLE EXT, ENG END	2	
5@#\$%+=	16195	HANDLE, SCREED	4	
6@#\$%+=	16630	WASHER, FLAT 1/2 SAE HARDENED	24	
7@#\$%+=	1665	SCREW, HHC 3/8-16 X 2	4	
8@#\$%+=	2621	ZERK, GREASE.....	1	INCLUDED WITH ITEM 18
9@#\$%+=	1162 A	CAP, GREASE ZERK #2	1	
11@#\$%+=	3242	SCREW, HHC 1/2-13 X 1-3/4	12	
13@#\$%+=	968011	NUT, HEX FINISH 1/2-13	12	
14@#\$%+=	16154	MOUNT, END SECTION BEARING	1	
15@#\$%+=	13351	WASHER, FLAT 3/8 PLTD USS HEAVY	8	
16@#\$%+=	1665	SCREW, HHC 3/8-16 X 2	2	
18@#\$%+=	16194	BEARING, PILLOW BLOCK	1	
19@#\$%+=	26250	SCREW, HHC 1/4-20 X 1-3/4	8	
20@#\$%+=	10024	NUT, NYLOC 1/4-20	8	
21@#\$	36646	TUBE ASSY, 12.63"	2	
22@#\$	49048	SCREW, HHFS 1/4-20 X .75	8	
25@#\$	36591	MOUNT, HALF TUBE	2	
26@#\$	26100	BOLT, 1.0-14 X 1.25 UNS-2A THREAD	2	
27@#\$	3264	WASHER, FLAT SAE 1.00	2	
28@#\$	26099	ADAPTER, STABILIZER END L/H	1	
29@#\$	26098	ADAPTER, STABILIZER END R/H	1	
30@	26389	6 IN. HANDLE EXT ASSY, ENG END	2	INCLUDES ITEMS W/%
30#	26390	12 IN. HANDLE EXT ASSY, ENG END	2	INCLUDES ITEMS W/+
30\$	26391	18 IN. HANDLE EXT ASSY, ENG END	2	INCLUDES ITEMS W/=
31	WSHEEXT6	SCREED, ENGINE, 6 IN. EXTENSION KIT	1	INCLUDES ITEMS W/@
31	WSHEEXT12	SCREED, ENGINE, 12 IN. EXTENSION KIT	1	INCLUDES ITEMS W/#
31	WSHEEXT18	SCREED, ENGINE, 18 IN. EXTENSION KIT	1	INCLUDES ITEMS W/\$

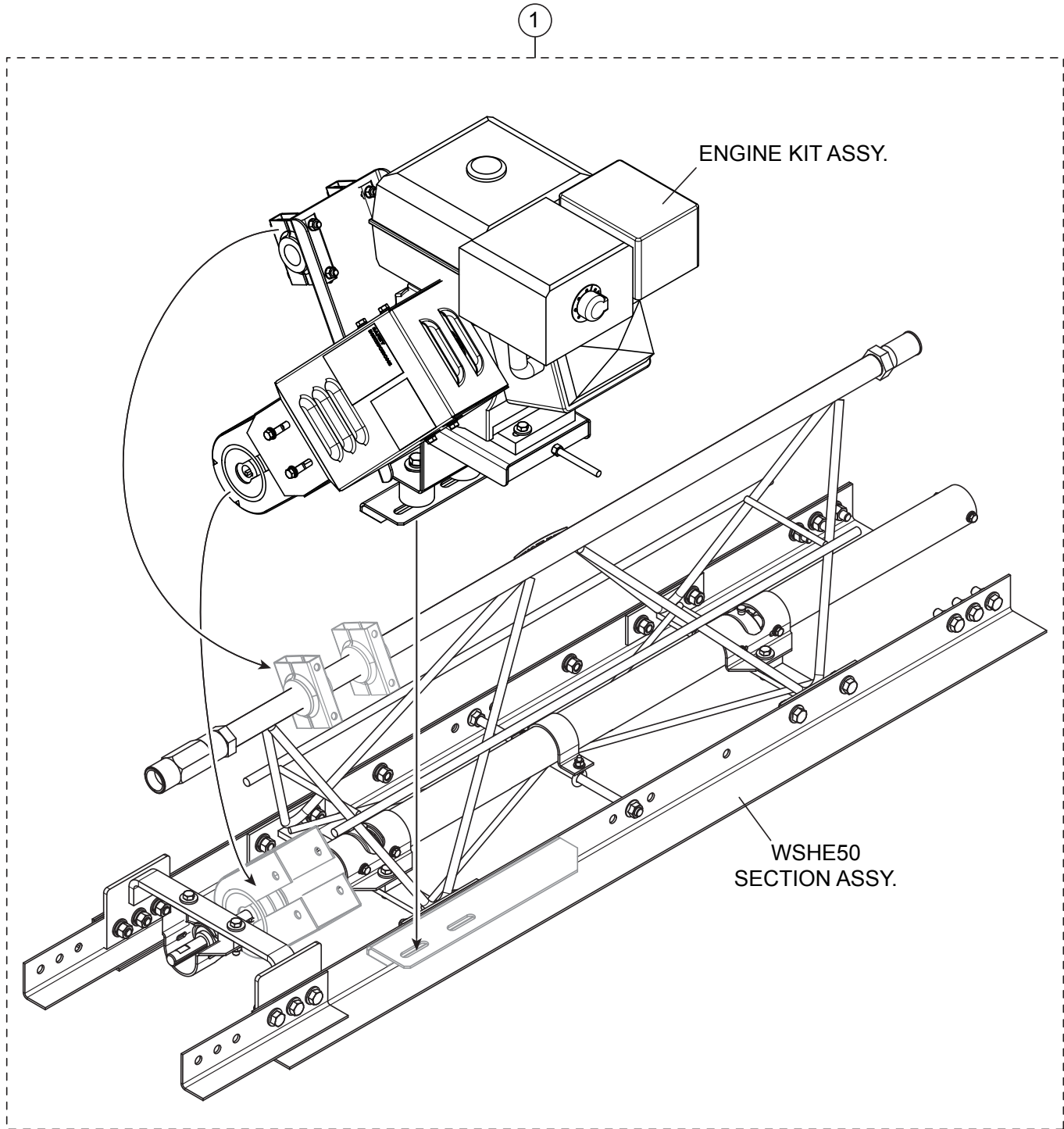
WSHEKIT8H/9H/11H ENGINE KIT ASSY.



WSHEKIT8H/9H/11H ENGINE KIT ASSY.

<u>NO.</u>	<u>PART NO.</u>	<u>PART NAME</u>	<u>QTY.</u>	<u>REMARKS</u>
1@%	0161 C	WASHER, LOCK 5/16 MED	12	
2@%	0166 A	WASHER, LOCK 3/8 MED	4	
3@%	0300 B	WASHER, FLAT 5/16 SAE	12	
4@%	10133	NUT, NYLOC 3/8-16	4	
5@%	13211	WASHER, FLAT 1/2 USS PLTD	5	
6@		ENGINE, HONDA GX240 8HP	1.....	NO LONGER AVAILABLE
6@	21980	ENGINE, HONDA GX270 9HP	1.....	FOR STOCKING ITEMS, SEE SUGGESTED SPARE PARTS
6%	1388	ENGINE, HONDA GX340 11HP	1.....	FOR STOCKING ITEMS, SEE SUGGESTED SPARE PARTS
7@%	1456	NUT, HEX FINISH 3/8-16	5	
8@%	1570	SCREW, HHC 3/8-16 X 3-3/4	4	
9@%	10229	SCREW, HHC 5/16-24 X 1	12	
10@%	16116	ANGLE, ENGINE SUPPORT	1	
11@%	36551	GUARD, ENGINE REAR	1	
12@%	36555	GUARD, ENGINE FRONT	1	
13@%	16197	MOUNT, ENGINE	1	
14@%	2230	SCREW, HHC 1/2-13 X 3/4	4	
15@%	2422	BELT, B41	2	
16@%	26079	PULLEY, 2BK30 X 3/4	1	
17@%	26110	CLUTCH, 1"BORE - 4"DIA	1	
18@%	26113	KEY, 3/16 SQ. X 2-1/4	1	
19@%	26114	MOUNT, VIBRATION	2	
20@%	26115	CLAMP HOUSING ASSY	2	
21@%	26125	SPACER, 3/8 X 2-11/16	4	
22@%	12220	WASHER, LOCK 1/2 HIGH STRENGTH	3	
23@%	16630	WASHER, FLAT SAE 1/2 HIGH STRENGTH	6	
24@%	2955	WASHER, LOCK 7/16 MED	1	
25@	2956	SCREW, HHC 7/16-20 X 1-1/2	1	
25%	16721	SCREW, HHC 3/8-24 X 1-3/4	1	
26@%	3214	SCREW, HHC 1/2-13 X 1-1/4	1	
27@%	13351	WASHER, FLAT 3/8 EXT THICK HI STRGTH	8	
28@%	5054 A	WASHER, LOCK 1/2 MED	4	
29@%	5218	SCREW, HHC 1/2-13 X 1-1/2	2	
30@%	W60137	OIL, 30WT SAE SPECIAL MOTOR (GAL)	1	
31@%	36554	GUARD, ENGINE BOTTOM	1	
32@	9154	SCREW, HHC 3/8-16 X 1-3/4	4	
32%	1665	SCREW, HHC 3/8-16 X 2	4	
33@%	968011	NUT, HEX FINISH 1/2-13	3	
34@%	36838	ADJUSTER, ENGINE	1	
35@%	1007	NUT, HEAVY JAM 3/8-16 GR2, NO PLT	1	
36@%	4001	WASHER, FLAT USS 3/8 PLD	4	
37@%	36644	SPACER, .875 OD X .095W X .44L	1	
38@%	26442	HEX KEY, 1/8 LONG HANDLE	1	
39%	6059 B	KEY, 1/4 SQ X 2	1	
40@%	36591	MOUNT, HALF TUBE	1	
41@%	36598	TUBE ASSY, 6.25"	1	
42	WSHEKIT9H	ENGINE KIT HONDA GX270	1.....	INCLUDES ITEMS W/@ REPLACES WSHEKIT8H
42	WSHEKIT11H	ENGINE KIT HONDA GX340	1.....	INCLUDES ITEMS W/%

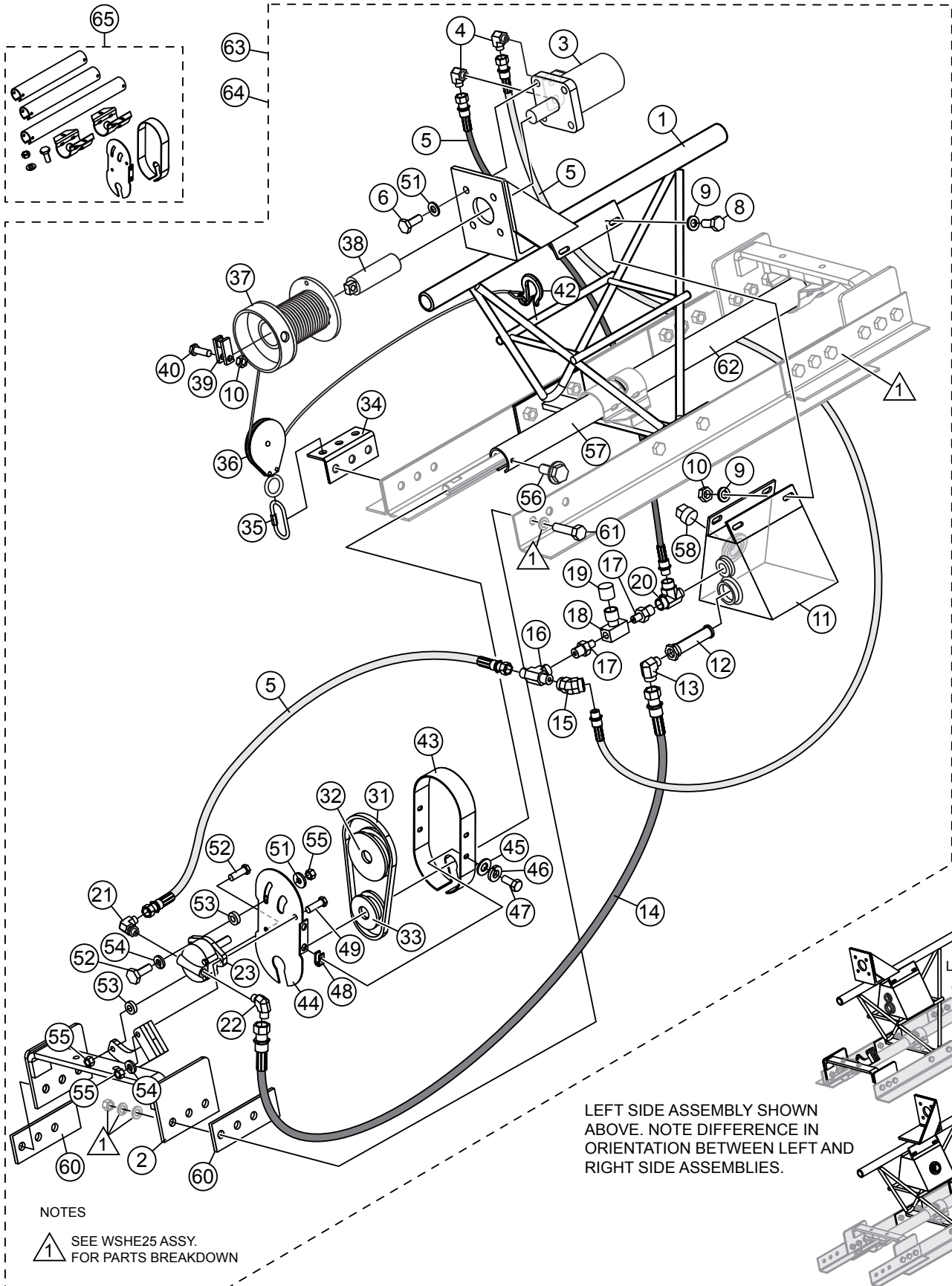
WSHE50KIT8H/9H/11H ENGINE & SECTION ASSY.



WSHE50KIT8H/9H/11H ENGINE & SECTION ASSY.

<u>NO.</u>	<u>PART NO.</u>	<u>PART NAME</u>	<u>QTY.</u>	<u>REMARKS</u>
1	WSHE50KIT9H	5' SECTION/ENGINE KIT ASSY, 9HP	1.....	REPLACES WSHE50KIT8H
1	WSHE50KIT11H	5'SECTION/ENGINE KIT ASSY, 11HP	1	

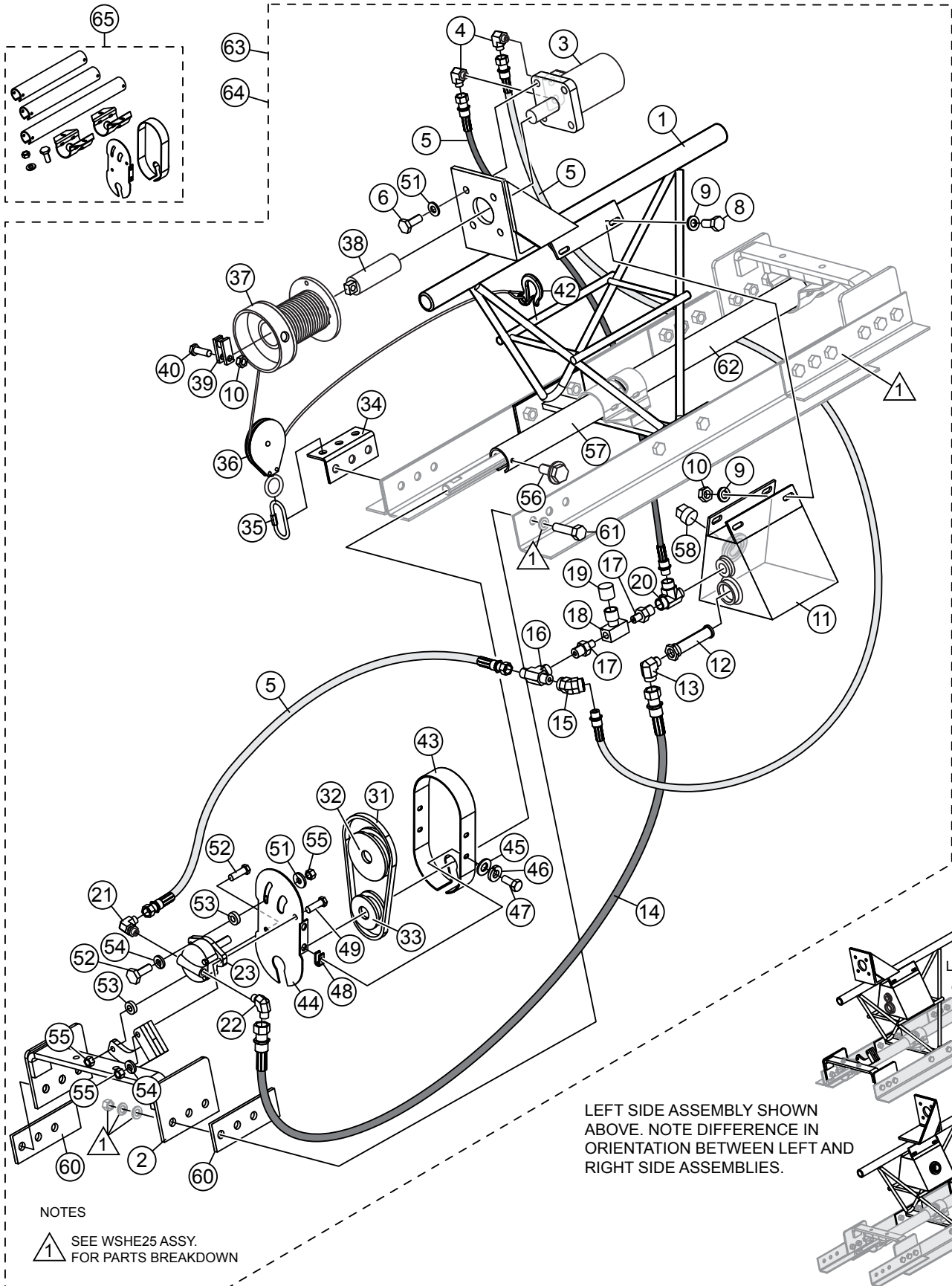
WSHESPW(L)/(R) KIT ASSY.



WSHESPW(L)/(R) KIT ASSY.

<u>NO.</u>	<u>PART NO.</u>	<u>PART NAME</u>	<u>QTY.</u>	<u>REMARKS</u>
1%	26160	FRAME, STEEL.....	1	LEFT
1@	26159	FRAME, STEEL.....	1	RIGHT
2@%	16148	BRACKET, PUMP MOUNT	1	
3@%	36719	MOTOR, HYDRAULIC	1	
4@%	26791	FITTING, 90 6MJ - 10 MO WMS DA	2	
5@%	26265	HOSE, HYD 4-4MPX6FJ SWIVELX16"	3	
6@%	0205	SCREW, HHC 3/8-16 X 1	5	
8@%	36720	SCREW.....	4	REPLACES P/N 0202
9@%	19470	WASHER, FLAT USS 5/16.....	8	OCTOBER 2007 AND BELOW
10@%	5283	NUT, NYLOC 5/16-18.....	5	OCTOBER 2007 AND BELOW
10@%	5283	NUT, NYLOC 5/16-18.....	1	NOVEMBER 2007 AND ABOVE
11@%	26196	TANK, HYDRAULIC	1	
12@%	26262	FILTER, HYD FLO-EZ S5-100	1	
13@%	26496	FITTING, 90 1/2MP-1/2FP	1	
14@%	26266	HOSE, HYD 8-8MPX8FJ SWIVELX18"	1	
15@%	26547	FITTING, 45 1/4 MP X 1/4 FP	1	
16@%	26128	FITTING, TEE 1/4FP - 1/4FP - 1/4FP	1	
17@%	26261	FITTING, STR 1/8MP - 1/4MP	2	
18@%	26263	VALVE, NEEDLE 1/8 PARKER N200S	1	
19@%	36235	CAP, VALVE .73 X 1/5 MSC 730-1.50	1	
20@%	26260	FITTING, TEE 1/4FP - 1/4FP - 1/4MP RUN	1	
21@%	11723	FITTING, 90 6MJ-8MO	1	
22@%	16580	FITTING, 45 8MJ-10MO	1	
23@%	26162	PUMP, HYDRAULIC PARKER D05 AA2A	1	
31@%	26269	BELT, 4L-210 NAPA	1	

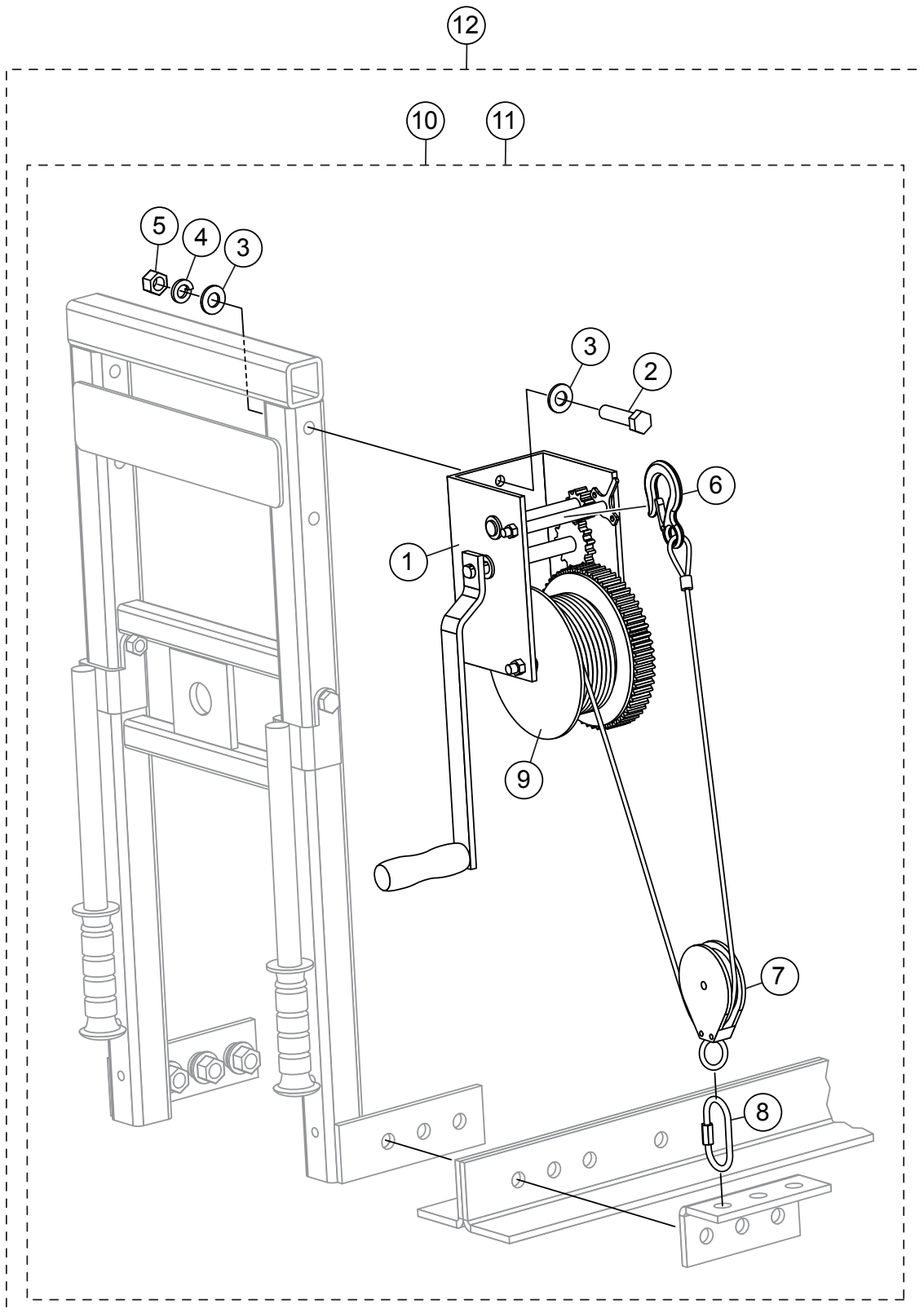
WSHESPW(L)/(R) KIT ASSY.



WSHESPW(L)/(R) KIT ASSY.

<u>NO.</u>	<u>PART NO.</u>	<u>PART NAME</u>	<u>QTY.</u>	<u>REMARKS</u>
32@%	26610	PULLEY, UPPER, AK34 X 1/2	1	
33@%	26611	PULLEY, LOWER, AK25 X 3/4	1	
34@%	16125	PULLEY, MOUNT	1	
35@%	13359	LINK, 5/16 QUICK, PLATED	1	
36@%	26096	BLOCK, SWIVEL EYE 3" PULLEY 1/4 CABLE	1	
37@%	26410	DRUM, CABLE	1	
38@%	W16133	DRIVE SHAFT, WINCH	1	
39@%	16136	WINCH, LOCKOUT	1	
40@%	26426	SCREW, HHC 5/16-18 X 1-3/4 GRD8	1	
42@%	36490	CABLE ASSY, HOOK	1	
43@%#	36561	GUARD, BELT	1	
44@%#	36563	PLATE, GUARD MOUNT	1	
47@%#	0131 A	SCREW, HHC 1/4-20 X 3/4	4	
48@%#	11534	NUT, "U" TYPE, 1/4-20	4	
49@%	9154	SCREW, HHC 3/8-16 X 1-3/4	2	
51@%	13351	WASHER, FLAT 3/8 EXT THICK HIGH STRGTH	6	
52@%#	1284	SCREW, HHC 3/8-16 X 1-1/2	2	
53@%#	36654	SPACER, 1.0" OD X .50 ID X .25L	2	
54@%#	0166 A	WASHER, LOCK, 3/8 MEDIUM	2	
55@%	1456	NUT, HEX FINISH 3/8-16	3	
56@%#	49048	SCREW, HHFS 1/4-20 X .75	8	
57@%#	36601	TUBE ASSY, 9.0"	1	
58@%	11793	FITTING, PLUG 3/4MP SQ HD	1	
60@%	16153	FEET, END SECTION	2	
61@%	3242	SCREW, HHC 1/2-13 X 1-3/4	6	
62@%#	36604	TUBE ASSY, 16.50"	1	LEFT, REPLACES 10.5" TUBE
62@%#	36602	TUBE ASSY, 10.50"	1	RIGHT
63	WSHESPW(L)	SCREED, STEEL LH	1	INCLUDES ITEMS W/%
64	WSHESPW(R)	SCREED, STEEL RH	1	INCLUDES ITEMS W/@
65	36665	WSHESPW(L) CE KIT	1	INCLUDES ITEMS W/#
65	36666	WSHESPW(R) CE KIT	1	INCLUDES ITEMS W/#

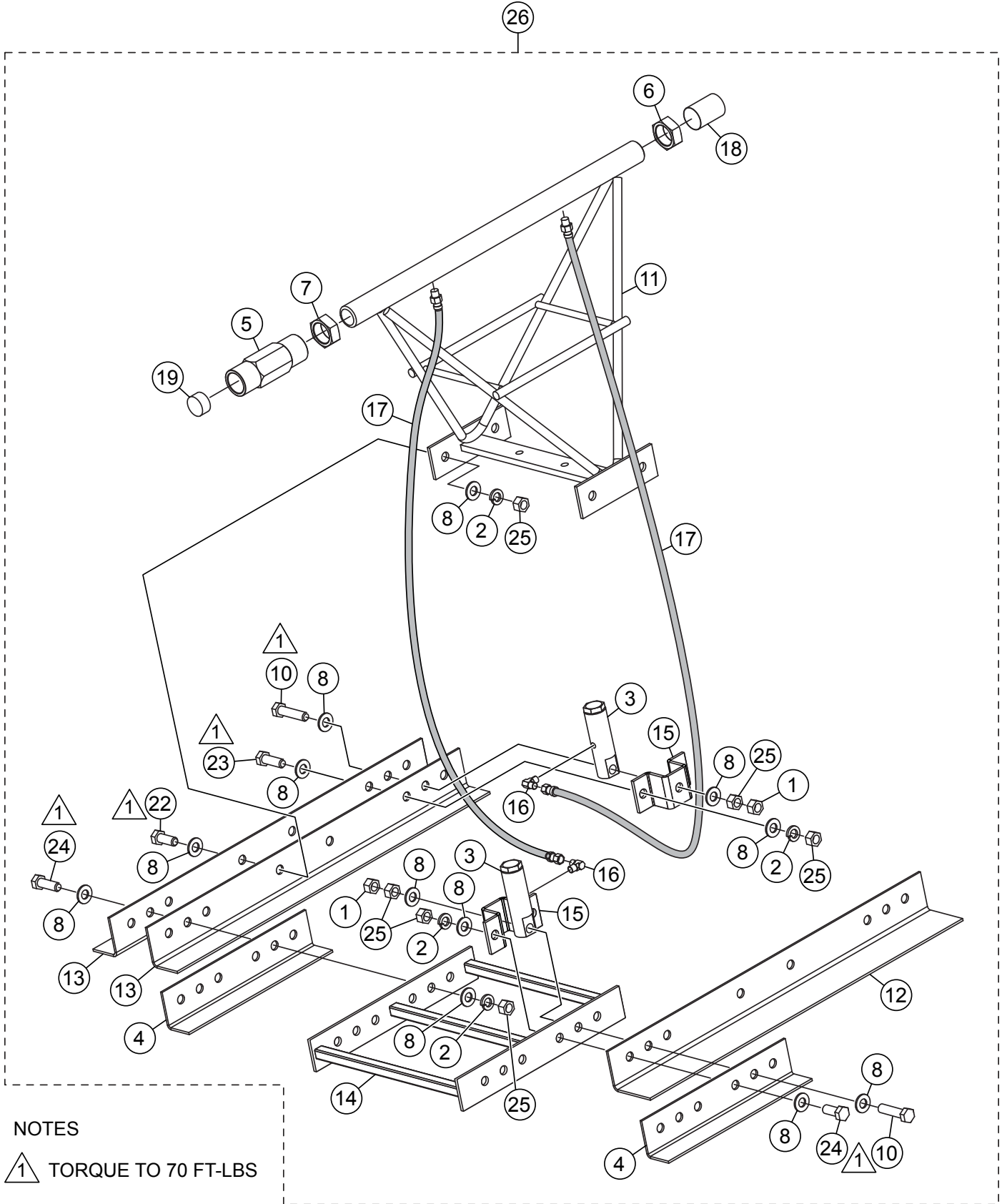
WSHW HAND WINCH ASSY.



WSHW HAND WINCH ASSY.

<u>NO.</u>	<u>PART NO.</u>	<u>PART NAME</u>	<u>QTY.</u>	<u>REMARKS</u>
1@#	26081	WINCH, HAND RACHET, LH	1	
1%#	26084	WINCH, HAND RACHET, RH	1	
2@%#	1665	SCREW, HHC 3/8-16X2	2	
3@%#	4001	WASHER, FLAT USS 3/8 PLD	4	
4@%#	0166 A	WASHER, LOCK 3/8 MED	2	
5@%#	1456	NUT, HEX FINISH 3/8-16	2	
6@%#	36490	CABLE ASSY, HOOK	1	
7@%#	26096	BLOCK, SWIVEL EYE 3" PULLEY 1/4 CABLE	1	
8@%#	13359	LINK, 5/16 QUICK, PLATED	1	
9@%#	16125	PULLEY, CABLE PULLEY	1	
10#	26083	WINCH, HAND ASSY, LH	1	INCLUDES ITEMS W/@
11#	26082	WINCH, HAND ASSY, RH	1	INCLUDES ITEMS W/%
12	WSHW	SCREED, HAND WINCHES	1	INCLUDES ITEMS W/#

WSHA20 SECTION ASSY.



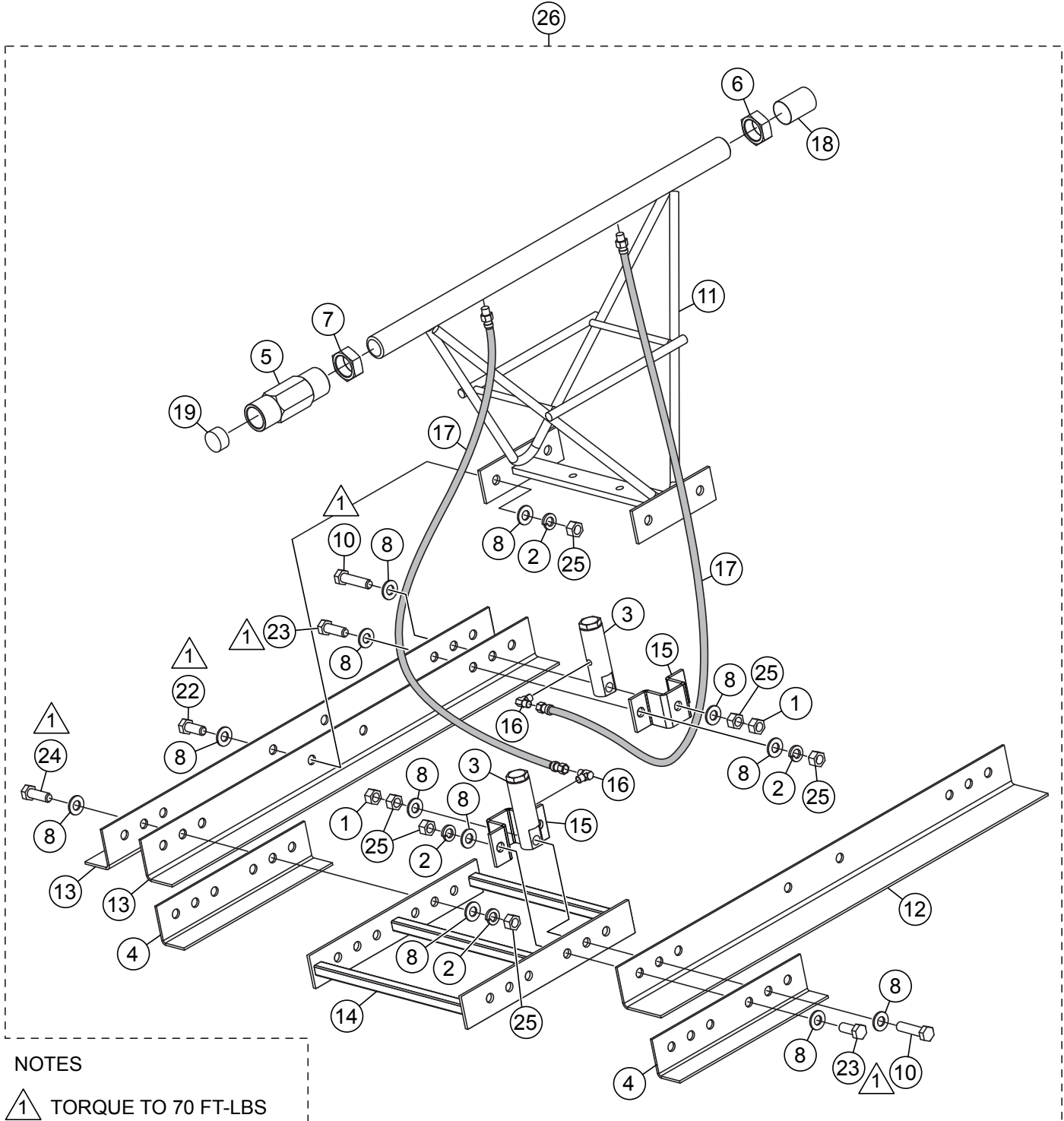
NOTES

1 TORQUE TO 70 FT-LBS

WSHA20 SECTION ASSY.

<u>NO.</u>	<u>PART NO.</u>	<u>PART NAME</u>	<u>QTY.</u>	<u>REMARKS</u>
1@	10176	NUT, NYLOC 1/2-13	2	
2@	12220	WASHER, LOCK 1/2 HIGH STRENGTH	14	
3@	16073	VIBRATOR ASSY, AIR	2	
4@	16126	ANGLE, BLADE CONNECT	2	
5@	16514	TURNBUCKLE, 1-5/16-16	1	
6@	16515	NUT, JAM 1-5/16-16 RIGHT HAND	1	
7@	16516	NUT, JAM 1-5/16-16 LEFT HAND	1	
8@	16630	WASHER, FLAT SAE 1/2 HIGH STRENGTH	32	
10@	2549	SCREW, HHC 1/2-13 X 3	2	
11@	36705	FRAME, STEEL 2' AIR	1	REPLACES P/N 26043
12@	26058	BLADE, SCREED 2' X 3W	1	
13@	26059	BLADE, SCREED 2' X 2W	2	
14@	26107	BRACE, SECTION CONNECTING	1	
15@	26124	BRACKET, VIBRATOR MOUNTING	2	
16@	26127	FITTING, 90 4MJ-1/8MP	2	
17@	26131	HOSE, AIR ASSY 1/4 X 24	2	
18@	26199	CAP, PIPE CAP PLUGS RCL-16	1	
19@	26205	CAP, TURNBUCKLE CAP PLUGS 14-X	1	
22@	3214	SCREW, HHC 1/2-13 X 1-1/4	4	
23@	3242	SCREW, HHC 1/2-13 X 1-3/4	2	
24@	5218	SCREW, HHC 1/2-13 X 1-1/2	8	
25@	968011	NUT, HEX FINISH 1/2-13	16	
26	WSHA20	SCREED, AIR 2' SECTION ASSY.....	1	INCLUDES ITEMS W/@

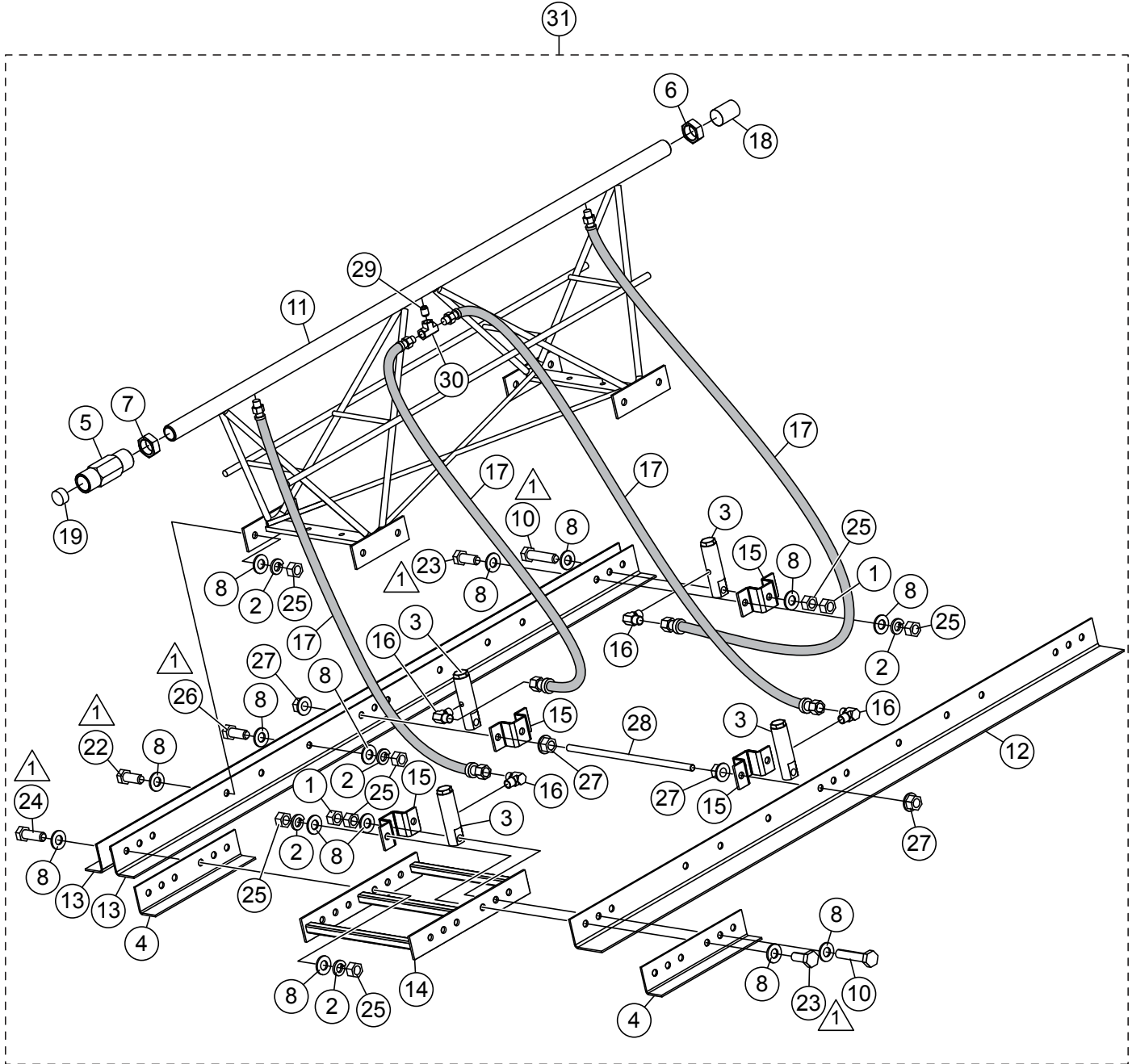
WSHA25 SECTION ASSY.



WSHA25 SECTION ASSY.

<u>NO.</u>	<u>PART NO.</u>	<u>PART NAME</u>	<u>QTY.</u>	<u>REMARKS</u>
1@	10176	NUT, NYLOC 1/2-13	2	
2@	12220	WASHER, LOCK 1/2 HIGH STRENGTH	14	
3@	16073	VIBRATOR ASSY, AIR	2	
4@	16126	ANGLE, BLADE CONNECT	2	
5@	16514	TURNBUCKLE, 1-5/16-16	1	
6@	16515	NUT, JAM 1-5/16-16 RIGHT HAND	1	
7@	16516	NUT, JAM 1-5/16-16 LEFT HAND	1	
8@	16630	WASHER, FLAT SAE 1/2 HIGH STRENGTH	32	
10@	2549	SCREW, HHC 1/2-13 X 3	2	
11@	36706	FRAME, STEEL 2-1/2' AIR.....	1	REPLACES P/N 26045
12@	16106	BLADE, SCREED 2-1/2 X 3W	1	
13@	16110	BLADE, SCREED 2-1/2 X 2W	2	
14@	26107	BRACE, SECTION CONNECTING	1	
15@	26124	BRACKET, VIBRATOR MOUNTING	2	
16@	26127	FITTING, 90 4MJ-1/8MP	2	
17@	26131	HOSE, AIR ASSY 1/4 X 24	2	
18@	26199	CAP, PIPE CAP PLUGS RCL-16	1	
19@	26205	CAP, TURNBUCKLE CAP PLUGS 14-X	1	
22@	3214	SCREW, HHC 1/2-13 X 1-1/4	4	
23@	3242	SCREW, HHC 1/2-13 X 1-3/4	4	
24@	5218	SCREW, HHC 1/2-13 X 1-1/2	6	
25@	968011	NUT, HEX FINISH 1/2-13	16	
26	WSHA25	SCREED, AIR 2.5' SECTION ASSY.....	1	INCLUDES ITEMS W/@

WSHA50 SECTION ASSY.



NOTES

1 TORQUE TO 70 FT-LBS

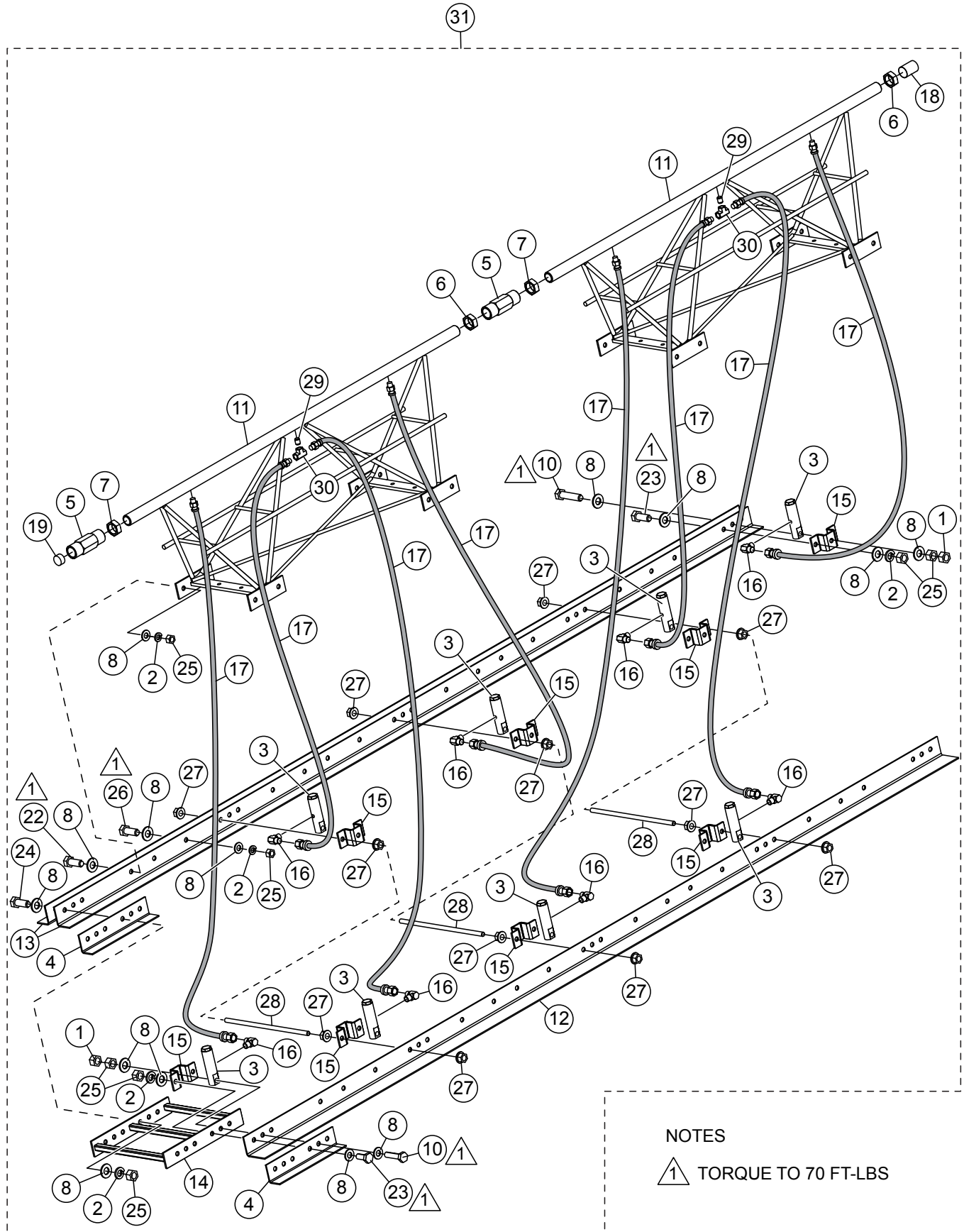
WSHA50 SECTION ASSY.

<u>NO.</u>	<u>PART NO.</u>	<u>PART NAME</u>	<u>QTY.</u>	<u>REMARKS</u>
1@	10176	NUT, NYLOC 1/2-13	4	
2@	12220	WASHER, LOCK 1/2 HIGH STRENGTH	22	
3@	16073	VIBRATOR ASSY, AIR	4	
4@	16126	ANGLE, BLADE CONNECT	2	
5@	16514	TURNBUCKLE, 1-5/16-16	1	
6@	16515	NUT, JAM 1-5/16-16 RIGHT HAND	1	
7@	16516	NUT, JAM 1-5/16-16 LEFT HAND	1	
8@	16630	WASHER, FLAT SAE 1/2 HIGH STRENGTH	52	
10@	2549	SCREW, HHC 1/2-13 X 3	4	
11@	36707	FRAME, STEEL 5' AIR	1	REPLACES P/N 26047
12@	16107	BLADE, SCREED 5' X 3W	1	
13@	16111	BLADE, SCREED 5' X 2W	2	
14@	26107	BRACE, SECTION CONNECTING	1	
15@	26124	BRACKET, VIBRATOR MOUNTING	4	
16@	26127	FITTING, 90 4MJ-1/8MP	4	
17@	26131	HOSE, AIR ASSY 1/4 X 24	4	
18@	26199	CAP, PIPE CAP PLUGS RCL-16	1	
19@	26205	CAP, TURNBUCKLE CAP PLUGS 14-X	1	
22@	3214	SCREW, HHC 1/2-13 X 1-1/4	10	
23@	3242	SCREW, HHC 1/2-13 X 1-3/4	4	
24@	5218	SCREW, HHC 1/2-13 X 1-1/2	6	
25@	968011	NUT, HEX FINISH 1/2-13	26	
26@	2691	SCREW, HHC 1/2-13 X 1	2	
27@	26328	NUT, FLANGED .5	4	
28@	26073	STUD, 1/2-NC X 14 LG	1	
29@	26132	FITTING, NIPPLE 1/4MP-1	1	
30@	26128	FITTING, TEE 1/4 FP	1	
31	WSHA50	SCREED, AIR 5' SECTION ASSY.....	1	INCLUDES ITEMS W/@

WSHA75 SECTION ASSY.

<u>NO.</u>	<u>PART NO.</u>	<u>PART NAME</u>	<u>QTY.</u>	<u>REMARKS</u>
1@	10176	NUT, NYLOC 1/2-13	6	
2@	12220	WASHER, LOCK 1/2 HIGH STRENGTH	30	
3@	16073	VIBRATOR ASSY, AIR	6	
4@	16126	ANGLE, BLADE CONNECT	2	
5@	16514	TURNBUCKLE, 1-5/16-16	1	
6@	16515	NUT, JAM 1-5/16-16 RIGHT HAND	1	
7@	16516	NUT, JAM 1-5/16-16 LEFT HAND	1	
8@	16630	WASHER, FLAT SAE 1/2 HIGH STRENGTH	72	
10@	2549	SCREW, HHC 1/2-13 X 3	6	
11@	36708	FRAME, STEEL 7-1/2' AIR.....	1	REPLACES P/N 26049
12@	16108	BLADE, SCREED 7-1/2' X 3W	1	
13@	16112	BLADE, SCREED 7-1/2' X 2W	2	
14@	26107	BRACE, SECTION CONNECTING	1	
15@	26124	BRACKET, VIBRATOR MOUNTING	6	
16@	26127	FITTING, 90 4MJ-1/8MP	6	
17@	26131	HOSE, AIR ASSY 1/4 X 24	6	
18@	26199	CAP, PIPE CAP PLUGS RCL-16	1	
19@	26205	CAP, TURNBUCKLE CAP PLUGS 14-X	1	
22@	3214	SCREW, HHC 1/2-13 X 1-1/4	16	
23@	3242	SCREW, HHC 1/2-13 X 1-3/4	4	
24@	5218	SCREW, HHC 1/2-13 X 1-1/2	6	
25@	968011	NUT, HEX FINISH 1/2-13	36	
26@	2691	SCREW, HHC 1/2-13 X 1	4	
27@	26328	NUT, FLANGED .5	8	
28@	26073	STUD, 1/2-NC X 14 LG	2	
29@	26132	FITTING, NIPPLE 1/4MP-1	2	
30@	26128	FITTING, TEE 1/4 FP	2	
31@	16185	FITTING, PLUG 1/4 MP SQ HEAD	1	
32	WSHA75	SCREED, AIR 7.5' SECTION ASSY.....	1	INCLUDES ITEMS W/@

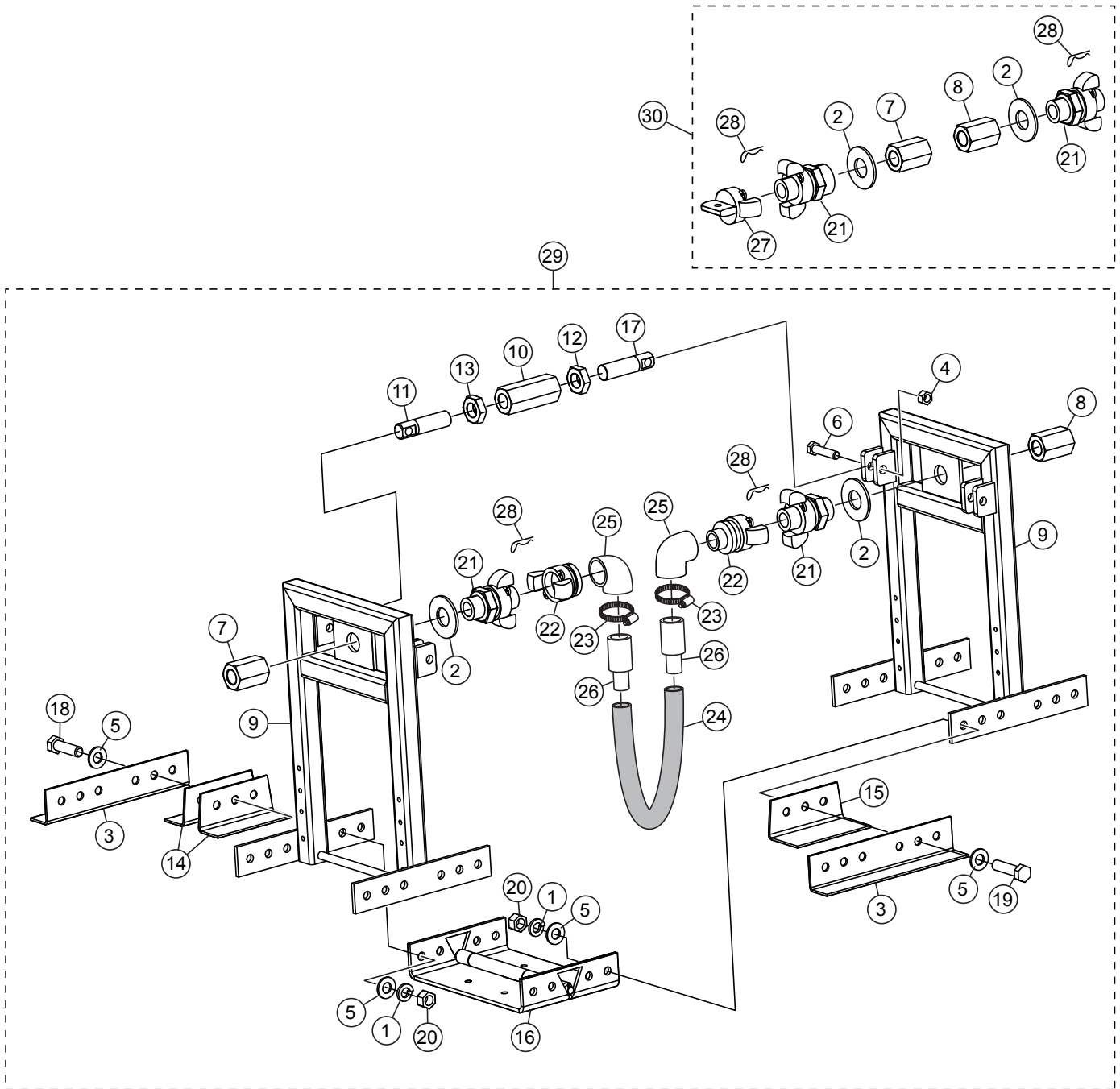
WSHA100 SECTION ASSY.



WSHA100 SECTION ASSY.

<u>NO.</u>	<u>PART NO.</u>	<u>PART NAME</u>	<u>QTY.</u>	<u>REMARKS</u>
1@	10176	NUT, NYLOC 1/2-13	8	
2@	12220	WASHER, LOCK 1/2 HIGH STRENGTH	38	
3@	16073	VIBRATOR ASSY, AIR	8	
4@	16126	ANGLE, BLADE CONNECT	2	
5@	16514	TURNBUCKLE, 1-5/16-16	2	
6@	16515	NUT, JAM 1-5/16-16 RIGHT HAND	1	
7@	16516	NUT, JAM 1-5/16-16 LEFT HAND	1	
8@	16630	WASHER, FLAT SAE 1/2 HIGH STRENGTH	92	
10@	2549	SCREW, HHC 1/2-13 X 3	8	
11@	36707	FRAME, STEEL 5' AIR	2	REPLACES P/N 26047
12@	16109	BLADE, SCREED 10' X 3W	1	
13@	16113	BLADE, SCREED 10' X 2W	2	
14@	26107	BRACE, SECTION CONNECTING	1	
15@	26124	BRACKET, VIBRATOR MOUNTING	8	
16@	26127	FITTING, 90 4MJ-1/8MP	8	
17@	26131	HOSE, AIR ASSY 1/4 X 24	8	
18@	26199	CAP, PIPE CAP PLUGS RCL-16	1	
19@	26205	CAP, TURNBUCKLE CAP PLUGS 14-X	1	
22@	3214	SCREW, HHC 1/2-13 X 1-1/4	22	
23@	3242	SCREW, HHC 1/2-13 X 1-3/4	4	
24@	5218	SCREW, HHC 1/2-13 X 1-1/2	6	
25@	968011	NUT, HEX FINISH 1/2-13	46	
26@	2691	SCREW, HHC 1/2-13 X 1	6	
27@	26328	NUT, FLANGED .5	12	
28@	26073	STUD, 1/2-NC X 14 LG	3	
29@	26132	FITTING, NIPPLE 1/4MP-1	2	
30@	26128	FITTING, TEE 1/4 FP	2	
31	WSHA100	SCREED, AIR 10' SECTION ASSY	1	INCLUDES ITEMS W/@

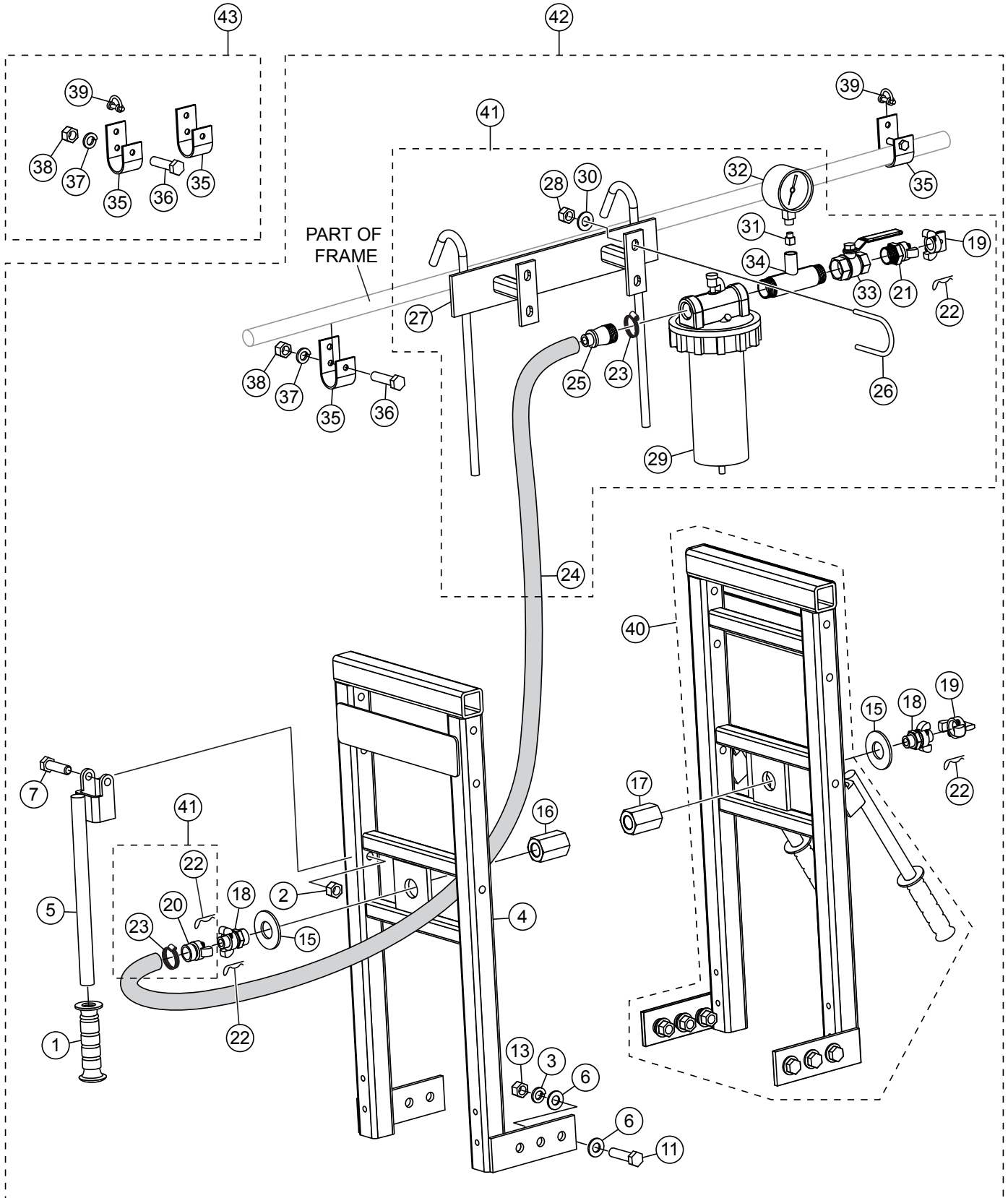
WSHAIC INVERT/CROWN KIT ASSY.



WSHAIC INVERT/CROWN KIT ASSY.

<u>NO.</u>	<u>PART NO.</u>	<u>PART NAME</u>	<u>QTY.</u>	<u>REMARKS</u>
1@	12220	WASHER, LOCK, 1/2 HIGH STRENGTH	18	
2@%	13108	WASHER, FLAT 1-1/8 USS	2	
3@	16126	ANGLE, BLADE CONNECTOR	4	
4@	16629	NUT, NYLOC 1/2-13	4	
5@	16630	WASHER, FLAT 1/2 SAE HARDENED	36	
6@	16781	SCREW, HHC 1/2-13 X 2-1/4	4	
7@%	26259	ADAPTER, STABILIZER END R/H	1	
8@%	26258	ADAPTER, STABILIZER END L/H	1	
9@	26347	INVERT, CROWN TOWER	2	
10@	26350	TURNBUCKLE, INVERT/CROWN	2	
11@	26352	ROD, RH TURNBUCKLE	2	
12@	26353	NUT, JAM LH 1-14	2	
13@	26354	NUT, JAM RH 1-14	2	
14@	26355	BLADE, SECTION-FRONT	4	
15@	26356	BLADE, SECTION-BACK	2	
16@	26361	HINGE, INVERT/CROWN	1	
17@	26364	ROD, LH TURNBUCKLE	2	
18@	3242	SCREW, HHC 1/2-13 X 1-3/4	10	
19@	6159 A	SCREW, HHC 1/2-13 X 2	8	
20@	968011	NUT, HEX FINISH 1/2-13	18	
21@%	26153	FITTING, CROWSFOOT 3/4" MP	2	
22@%	26146	FITTING, CROWSFOOT 1" MP	2	
23@	26405	CLAMP, 1-3/4 HOSE	2	
24@	26904	HOSE, 100R4 1	1	
25@	5081	FITTING, 90 IFP - IFP	2	
26@	26150	FITTING, STR -16 BARB - 1MP	2	
27%	26416	FITTING, CROWSFOOT BLANK END	1	
28@%	26147	SAFETY CLIP, CROWS FOOT	2	
29	WSHAIC	INVERT/CROWN KIT, WSHAIC.....	1.....	INCLUDES ITEMS W/@
30	26434	KIT, HARDWARE AIR	1.....	INCLUDES ITEMS W%

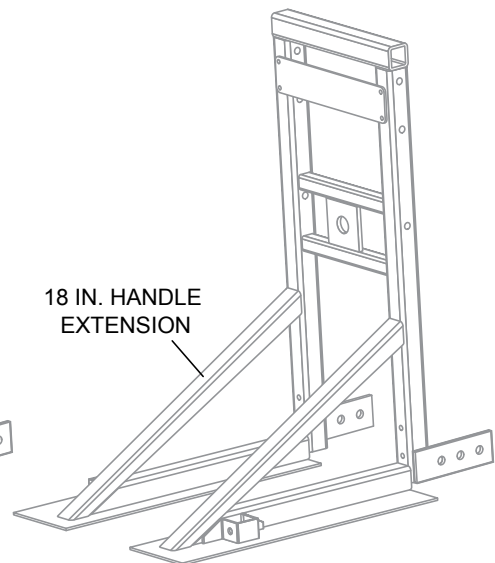
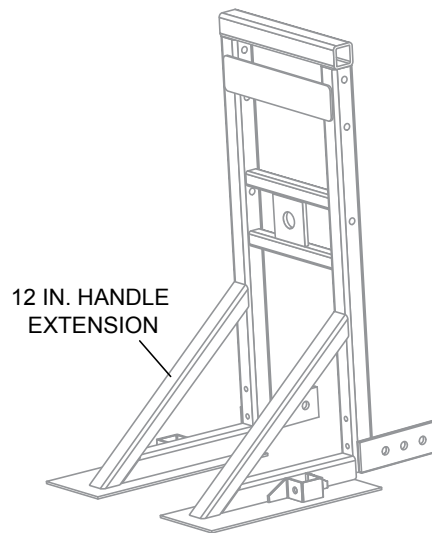
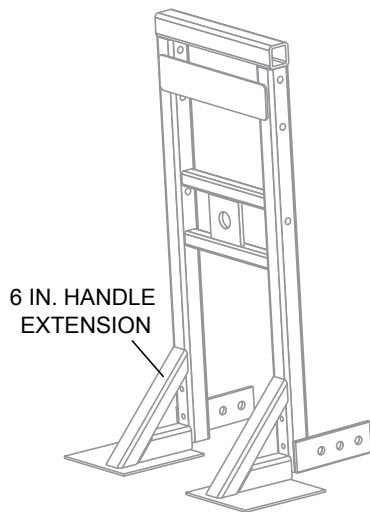
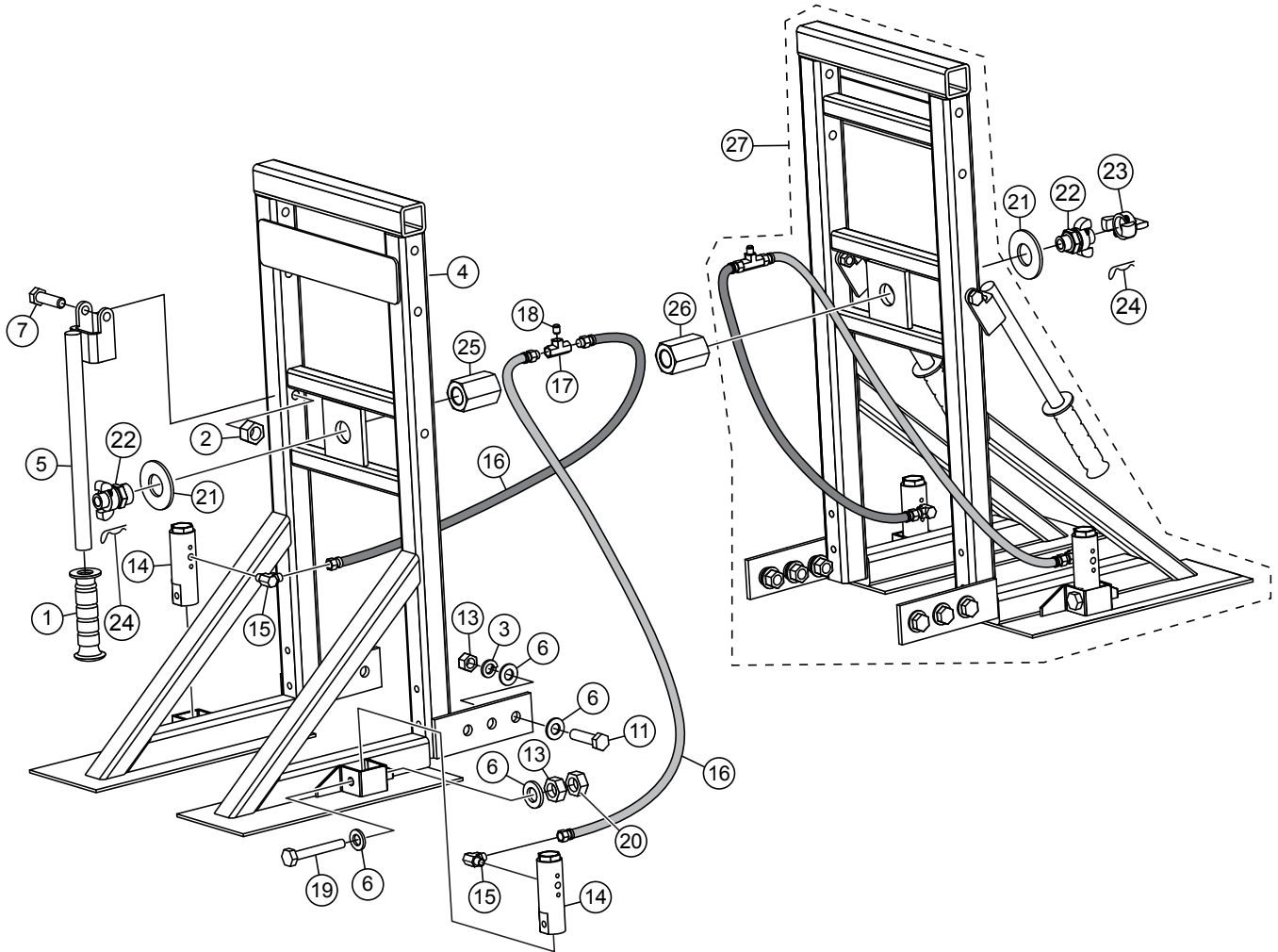
WSHAH END HANDLE KIT ASSY.



WSHAH END HANDLE KIT ASSY.

<u>NO.</u>	<u>PART NO.</u>	<u>PART NAME</u>	<u>QTY.</u>	<u>REMARKS</u>
1@#	0189	GRIP, HANDLE	4	
2@#	10133	NUT, NYLOC 3/8-16	4	
3@#	12220	WASHER, LOCK 1/2 HIGH STRENGTH	12	
4@#	16159	FRAME, END ADAPTOR	2	
5@#	16195	HANDLE, SCREED	4	
6@#	16630	WASHER, FLAT 1/2 SAE HARDENED	24	
7@#	1665	SCREW, HHC 3/8-16 X 2	4	
11@#	5218	SCREW, HHC 1/2-13 X 1-1/2	12	
13@#	968011	NUT, HEX FINISH 1/2-13	12	
15@	13108	WASHER, FLAT USS 1-1/8	2	
16@	26258	ADAPTER, STABILIZER END L/H	1	
17@	26259	ADAPTER, STABILIZER END R/H	1	
18@	26153	FITTING, CROWSFOOT 3/4" MP	2	
19@+	26416	FITTING, CROWSFOOT-BLANK END	2	
20@+	26149	FITTING, CROWSFOOT 1" BARB PLTD	1	
21@+	26146	FITTING, CROWSFOOT 1 MP	1	
22@+	26147	SAFETY CLIP, CROWS FOOT	4	
23@+	26405	CLAMP, HOSE WORM #20 13/16 - 1-3/4	2	
24@+	36428	HOSE, 200PSI 1" X 60" RED HORIZON	1	
25@+	26150	FITTING, STR-16 BARB - 1MP	1	
26@+	26141	U-BOLT, 5/16-18 X 1 PIPE	2	
27@+	26136	BRACKET, OILER & GAUGE HANGER	1	
28@+	5283	NUT, NYLOC 5/16-18	4	
29@+	26142	OILER, 1"SCH-B MB3-08L54BCSB	1	
30@+	0300 B	WASHER, FLAT 5/16 SAE	4	
31@+	16185	FITTING, PLUG 1/4 MP SQ HEAD	1	
32@+	26144	GAUGE, 1/4, 200 PSI	1	
33@+	26145	VALVE, BALL 1.0 NPT BRASS	1	
34@+	26143	ADAPTER, GAUGE	1	
35@%	26085	HANGER, SCREED LIFTING	2	
36@%	4370	SCREW, HHC 3/8-16 X 2-1/4	2	
37@%	0166 A	WASHER, LOCK 3/8 MED	2	
38@%	1456	NUT, HEX FINISH 3/8-16	2	
39@%	26135	SHACKLE, HANGER	2	
40	26108	END HANDLE ASSY.....	1	INCLUDES ITEMS W/#
41	26412	AIR CONTROL SYSTEM ASSY	1	INCLUDES ITEMS W/+
42	WSHAH	END HANDLE KIT, AIR.....	1	INCLUDES ITEMS W/@
43	26436	KIT, HARDWARE, HANGER.....	1	INCLUDES ITEMS W/%

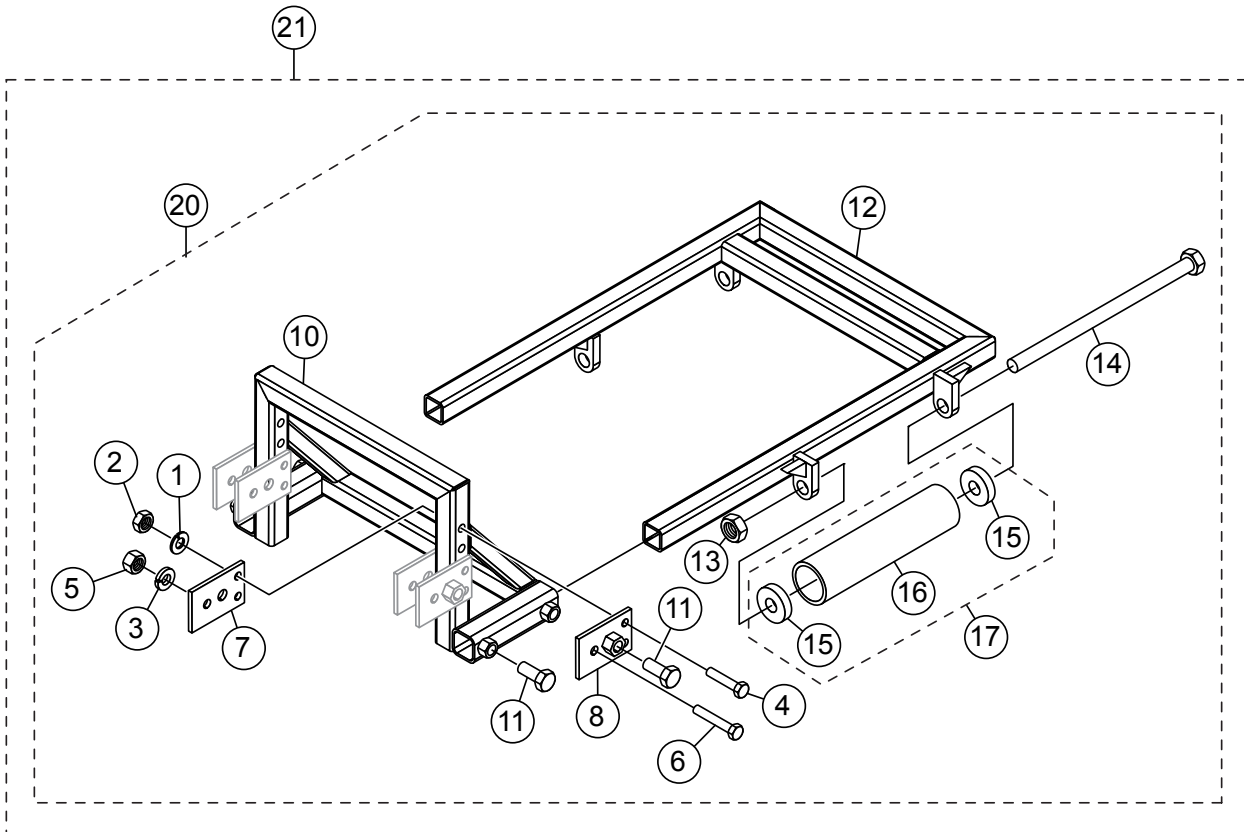
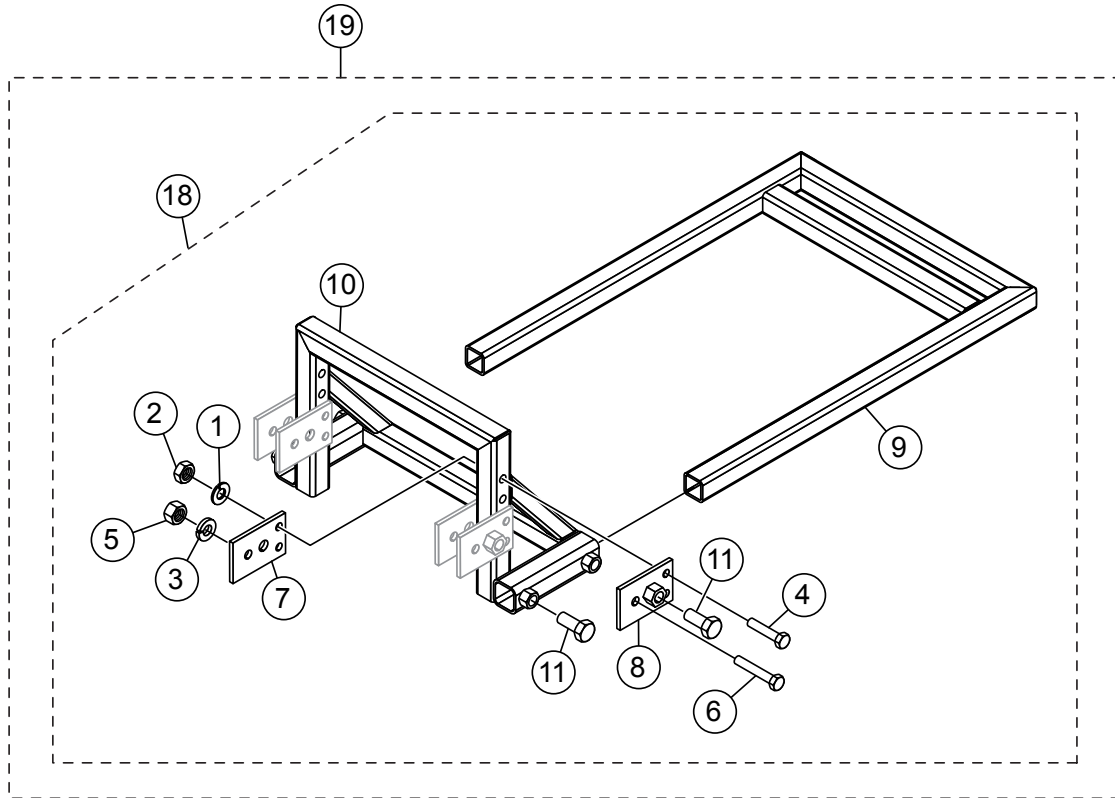
WSHAEXT6/12/18 END HANDLE EXTENSION ASSY.



WSHAEXT6/12/18 END HANDLE EXTENSION ASSY.

<u>NO.</u>	<u>PART NO.</u>	<u>PART NAME</u>	<u>QTY.</u>	<u>REMARKS</u>
1+=\$	0189	GRIP, HANDLE	4	
2+=\$	10133	NUT, NYLOC 3/8-16	4	
3+=\$	12220	WASHER, LOCK 1/2 HIGH STRENGTH	12	
4+	26375	6IN HANDLE EXT, AIR END	2	
4\$	26378	12IN HANDLE EXT, AIR END	2	
4=	26379	18IN HANDLE EXT, AIR END	2	
5+=\$	16195	HANDLE, SCREED	4	
6+	16630	WASHER, FLAT 1/2 SAE HARDENED	24	
6\$=	16630	WASHER, FLAT 1/2 SAE HARDENED	30	
7+=\$	1665	SCREW, HHC 3/8-16 X 2	4	
11+=\$	5218	SCREW, HHC 1/2-13 X 1-1/2	12	
13+	968011	NUT, HEX FINISH 1/2-13	12	
13\$=	968011	NUT, HEX FINISH 1/2-13	16	
14\$=	16073	VIBRATOR ASSY	4	
15\$=	26127	FITTING, 90 4MJ-2MP	4	
16\$=	26399	HOSE, AIR ASSY 1/4 X 36	4	
17\$=	26128	FITTING, TEE 1/4 FP	2	
18\$=	26132	FITTING, NIPPLE 1/4MP-1	2	
19\$=	2549	SCREW, HHC 1/2-13 X 3	4	
20\$=	10176	NUT, NYLOC 1/2-13	4	
21	13108	WASHER, FLAT USS 1-1/8	2	
22	26153	FITTING, CROWSFOOT 3/4 MP MP	2	
23	26416	FITTING, CROWSFOOT-BLANK END	1	
24	26147	SAFETY CLIP, CROWSFOOT	2	
25	26258	ADAPTOR, STABILIZER END, LH-AIR	1	
26	26259	ADAPTOR, STABILIZER END, RH-AIR	1	
27	26415	6" HANDLE ASSY	1	INCLUDES ITEMS W/+
27	26392	12" HANDLE EXT ASSY	1	INCLUDES ITEMS W/\$
27	26393	18" HANDLE EXT ASSY	1	INCLUDES ITEMS W/=

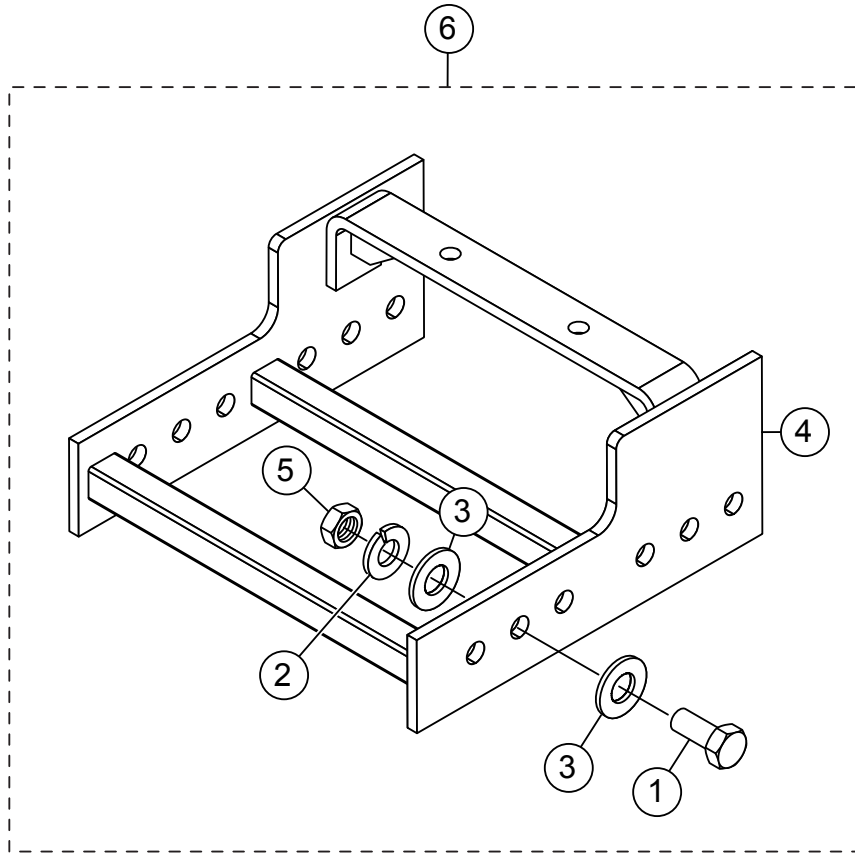
WSKITAEB-R ADJUSTABLE END BRACKET ASSY.



WSKITAEB-R ADJUSTABLE END BRACKET ASSY.

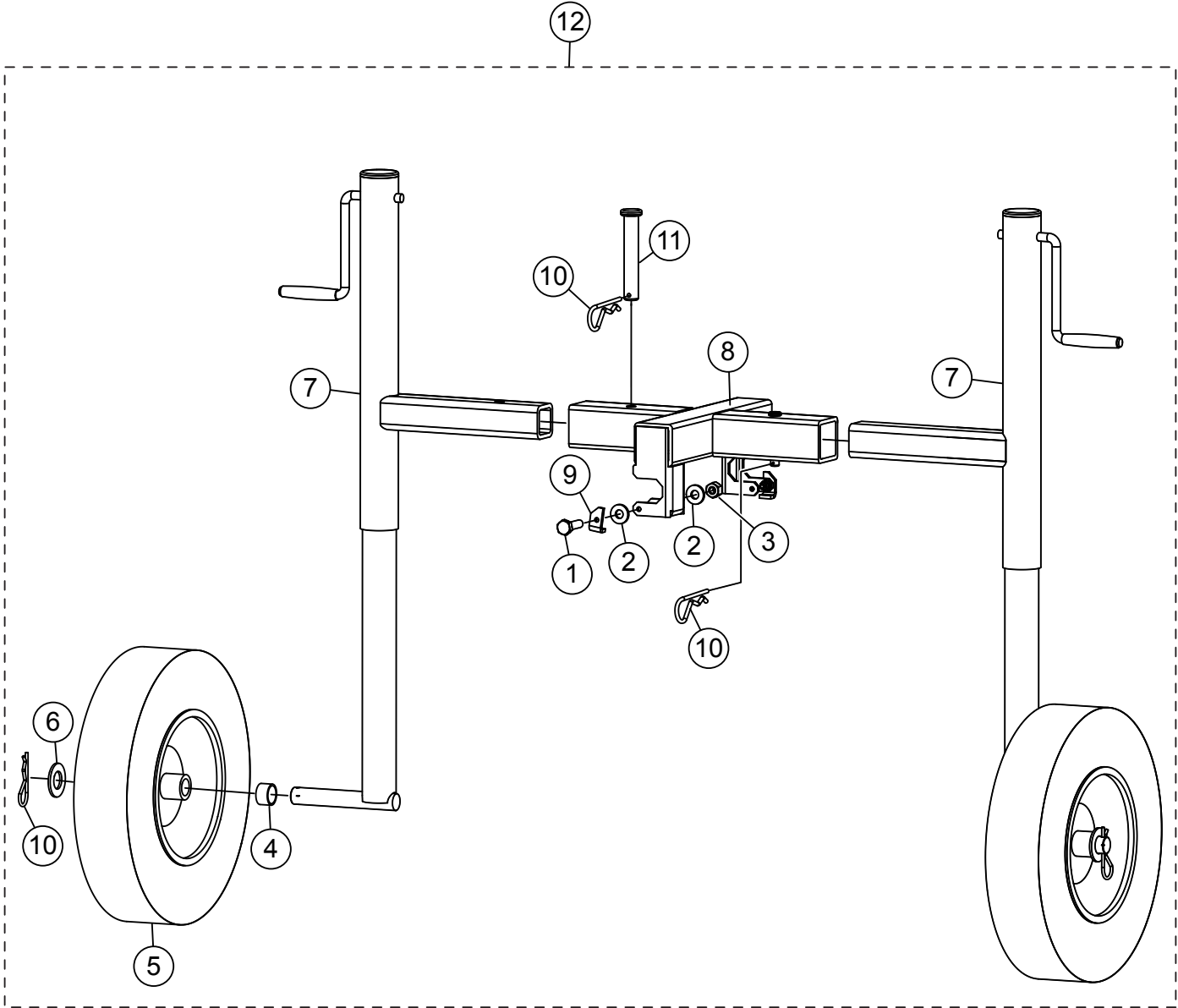
<u>NO.</u>	<u>PART NO.</u>	<u>PART NAME</u>	<u>QTY.</u>	<u>REMARKS</u>
1#\$%=	0161 C	WASHER, LOCK, 5/16 MED	8	
2#\$%=	0161 D	NUT, HEX FINISH 5/16-18	8	
3#\$%=	0166 A	WASHER, LOCK 3/8 MED.	4	
4#\$%=	0300 A	SCREW, HHC 5/16-18 X 2	8	REPLACES P/N 1207
5#\$%=	1456	NUT, HEX FINISH 3/8-16	4	
6#\$%=	1665	SCREW, HHC 3/8 X 16 X 2	4	
7#\$%=	26497	PLATE, BOLT	4	
8#\$%=	26504	PLATE, OUTER	4	
9#\$	26505	ARM, SLIDE	1	
10#\$%=	26507	BRACKET, ARM HOLDER	1	
11 #\$\$\$=	2691	SCREW, HHC 1/2-13 X 1	8	
12%=	26508	ARM, ROLLER	1	
13%=	10176	NUT, NYLOC 1/2-13	2	
14%=	26501	SCREW, HHC 1/2-13 X 8	2	
15@%=	26502	BEARING, ROLLER	4	
16@%=	26500	ROLLER, END BRACKET	2	
17%=	26545	ROLLER ASSY.....	2	INCLUDES ITEMS W/@
18\$	26514	ADJUSTABLE END BRACKET ASSY.....	2	INCLUDES ITEMS W/#
19	WSKITAEB	ADJUSTABLE END BRACKET KIT	1	INCLUDES ITEMS W/\$
20=	26509	ADJUSTABLE END BRACKET W/ROLLERS.....	2	INCLUDES ITEMS W/%
21	WSKITAEBR	ADJUSTABLE END BRACKET W/ROLLERS KIT	1	INCLUDES ITEMS W/=

WSHRBE KIT ASSY.



WSHRBE KIT ASSY.

<u>NO.</u>	<u>PART NO.</u>	<u>PART NAME</u>	<u>QTY.</u>	<u>REMARKS</u>
1@	5218	SCREW, HHC 1/2-13 X 1-1/2	12	
2@	12220	WASHER, LOCK, 1/2 HIGH STRENGTH	12	
3@	16630	WASHER, FLAT 1/2 SAE HARDENED	24	
4@	36203	BRACKET, REINFORCEMENT	1	
5@	968011	NUT, HEX FINISH 1/2-13	12	
6	WSHRBE	REINFORCEMENT BRACKET ASSY.....	1.....	INCLUDES ITEMS W.@



EZ MOVER ASSY.

<u>NO.</u>	<u>PART NO.</u>	<u>PART NAME</u>	<u>QTY.</u>	<u>REMARKS</u>
1@	0730	SCREW, HHC 1/4-20 X 1	2	
2@	0948	WASHER, FLAT SAE 1/4	4	
3@	10024	NUT, NYLOC 1/4-20	2	
4@	12285	SPACER, WHEEL EZ MOVER	2	
5@	12333	TIRE, EZ MOVER	2	
6@	3264	WASHER, FLAT SAE 1.00	2	
7@	36237	JACK	2	
8@	36241	MOUNT, TOP PIPE	1	
9@	36245	LATCH, JACK	2	
10@	7170	PIN, HITCH CLIP 5/32 X 3-5/16	4	
11@	8081	PIN, CLEVIS 1/2 X 2 3/4	2	
12	36243	EZ MOVER, SCREED JACK ASSY.....	1.....	INCLUDES ITEMS W/@

TERMS AND CONDITIONS OF SALE — PARTS

PAYMENT TERMS

Terms of payment for parts are net 30 days.

FREIGHT POLICY

All parts orders will be shipped collect or prepaid with the charges added to the invoice. All shipments are F.O.B. point of origin. Multiquip's responsibility ceases when a signed manifest has been obtained from the carrier, and any claim for shortage or damage must be settled between the consignee and the carrier.

MINIMUM ORDER

The minimum charge for orders from Multiquip is \$15.00 net. Customers will be asked for instructions regarding handling of orders not meeting this requirement.

RETURNED GOODS POLICY

Return shipments will be accepted and credit will be allowed, subject to the following provisions:

1. A Returned Material Authorization must be approved by Multiquip prior to shipment.
2. To obtain a Return Material Authorization, a list must be provided to Multiquip Parts Sales that defines item numbers, quantities, and descriptions of the items to be returned.
 - a. The parts numbers and descriptions must match the current parts price list.
 - b. The list must be typed or computer generated.
 - c. The list must state the reason(s) for the return.
 - d. The list must reference the sales order(s) or invoice(s) under which the items were originally purchased.
 - e. The list must include the name and phone number of the person requesting the RMA.
3. A copy of the Return Material Authorization must accompany the return shipment.
4. Freight is at the sender's expense. All parts must be returned freight prepaid to Multiquip's designated receiving point.

5. Parts must be in new and resalable condition, in the original Multiquip package (if any), and with Multiquip part numbers clearly marked.
6. The following items are not returnable:
 - a. Obsolete parts. (If an item is in the price book and shows as being replaced by another item, it is obsolete.)
 - b. Any parts with a limited shelf life (such as gaskets, seals, "O" rings, and other rubber parts) that were purchased more than six months prior to the return date.
 - c. Any line item with an extended dealer net price of less than \$5.00.
 - d. Special order items.
 - e. Electrical components.
 - f. Paint, chemicals, and lubricants.
 - g. Decals and paper products.
 - h. Items purchased in kits.
7. The sender will be notified of any material received that is not acceptable.
8. Such material will be held for five working days from notification, pending instructions. If a reply is not received within five days, the material will be returned to the sender at his expense.
9. Credit on returned parts will be issued at dealer net price at time of the original purchase, less a 15% restocking charge.
10. In cases where an item is accepted, for which the original purchase document can not be determined, the price will be based on the list price that was effective twelve months prior to the RMA date.
11. Credit issued will be applied to future purchases only.

PRICING AND REBATES

Prices are subject to change without prior notice. Price changes are effective on a specific date and all orders received on or after that date will be billed at the revised price. Rebates for price declines and added charges for price increases will not be made for stock on hand at the time of any price change.

Multiquip reserves the right to quote and sell direct to Government agencies, and to Original Equipment Manufacturer accounts who use our products as integral parts of their own products.

SPECIAL EXPEDITING SERVICE

A \$35.00 surcharge will be added to the invoice for special handling including bus shipments, insured parcel post or in cases where Multiquip must personally deliver the parts to the carrier.

LIMITATIONS OF SELLER'S LIABILITY

Multiquip shall not be liable hereunder for damages in excess of the purchase price of the item with respect to which damages are claimed, and in no event shall Multiquip be liable for loss of profit or good will or for any other special, consequential or incidental damages.

LIMITATION OF WARRANTIES

No warranties, express or implied, are made in connection with the sale of parts or trade accessories nor as to any engine not manufactured by Multiquip. Such warranties made in connection with the sale of new, complete units are made exclusively by a statement of warranty packaged with such units, and Multiquip neither assumes nor authorizes any person to assume for it any other obligation or liability whatever in connection with the sale of its products. Apart from such written statement of warranty, there are no warranties, express, implied or statutory, which extend beyond the description of the products on the face hereof.

Effective: February 22, 2006

PARTS MANUAL

HERE'S HOW TO GET HELP

PLEASE HAVE THE MODEL AND SERIAL
NUMBER ON-HAND WHEN CALLING

UNITED STATES

Multiquip Corporate Office

18910 Wilmington Ave.
Carson, CA 90746
Contact: mq@multiquip.com

Tel: (800) 421-1244
Fax (800) 537-3927

MQ Parts Department

800-427-1244
310-537-3700

Fax: 800-672-7877
Fax: 310-637-3284

Service Department

800-421-1244
310-537-3700

Fax: 310-537-4259

Warranty Department

800-421-1244
310-537-3700

Fax: 310-943-2249

Technical Assistance

800-478-1244

Fax: 310-943-2238

MEXICO

MQ Cipsa

Carr. Fed. Mexico-Puebla KM 126.5
Momoxpan, Cholula, Puebla 72760 Mexico
Contact: pmastretta@cipsa.com.mx

Tel: (52) 222-225-9900
Fax: (52) 222-285-0420

UNITED KINGDOM

Multiquip (UK) Limited Head Office

Unit 2, Northpoint Industrial Estate,
Globe Lane,
Dukinfield, Cheshire SK16 4UJ
Contact: sales@multiquip.co.uk

Tel: 0161 339 2223
Fax: 0161 339 3226

CANADA

Multiquip

4110 Industriel Boul.
Laval, Quebec, Canada H7L 6V3
Contact: jmartin@multiquip.com

Tel: (450) 625-2244
Tel: (877) 963-4411
Fax: (450) 625-8664

© COPYRIGHT 2011, MULTIQUIP INC.

Multiquip Inc and the MQ logo are registered trademarks of Multiquip Inc. and may not be used, reproduced, or altered without written permission. All other trademarks are the property of their respective owners and used with permission.

This manual MUST accompany the equipment at all times. This manual is considered a permanent part of the equipment and should remain with the unit if resold.

The information and specifications included in this publication were in effect at the time of approval for printing. Illustrations, descriptions, references and technical data contained in this manual are for guidance only and may not be considered as binding. Multiquip Inc. reserves the right to discontinue or change specifications, design or the information published in this publication at any time without notice and without incurring any obligations.

Your Local Dealer is:



Free Manuals Download Website

<http://myh66.com>

<http://usermanuals.us>

<http://www.somanuals.com>

<http://www.4manuals.cc>

<http://www.manual-lib.com>

<http://www.404manual.com>

<http://www.luxmanual.com>

<http://aubethermostatmanual.com>

Golf course search by state

<http://golfingnear.com>

Email search by domain

<http://emailbydomain.com>

Auto manuals search

<http://auto.somanuals.com>

TV manuals search

<http://tv.somanuals.com>