

# PARTS MANUAL



## **NIGHTHAWK SERIES MODEL LT12D50B DEDICATED LIGHT TOWER (LOMBARDINI LDW 1003 DIESEL ENGINE)**

Revision #0 (03/13/09)

To find the latest revision of this  
publication, visit our website at:  
[www.multiquip.com](http://www.multiquip.com)



**THIS MANUAL MUST ACCOMPANY THE EQUIPMENT AT ALL TIMES.**

**PN: 49123**

# TABLE OF CONTENTS

---

## LT12D50B Light Tower

Table Of Contents .....	2
Parts Ordering Procedures.....	3
Explanation Of Code In Remarks Column .....	4
Suggested Spare Parts .....	5
Nameplates And Decals 1 .....	6-7
Nameplates And Decals 2 .....	8-9
Cabinet Assembly.....	10-11
Trailer Assembly .....	12-13
Mast Assembly .....	14-15
Mast Raise/Lower Assembly .....	16-17
Winch Assembly .....	18-19
T-Bar Assembly.....	20-21
Lamp Assembly .....	22-23
Control Panel/Ballast Assembly.....	24-25
Fuel Tank Assembly.....	26-27
Battery Assembly.....	28-29
Engine Assembly .....	30-31
Generator/Engine Mounting Assembly.....	32-33
Generator Assembly .....	34-35
Coil Cord Assembly .....	36-37
Terms And Conditions Of Sale — Parts .....	38

### NOTICE

Part numbers are subject to change without notice.

# PARTS ORDERING PROCEDURES

## Ordering parts has never been easier! Choose from three easy options:

Effective:  
January 1<sup>st</sup>, 2006

www.multiquip.com



### Order via Internet (Dealers Only):

Order parts on-line using Multiquip's SmartEquip website!

- View Parts Diagrams
- Order Parts
- Print Specification Information



If you have an MQ Account, to obtain a Username and Password, E-mail us at: [parts@multiquip.com](mailto:parts@multiquip.com).

To obtain an MQ Account, contact your District Sales Manager for more information.

Goto [www.multiquip.com](http://www.multiquip.com) and click on **Order Parts** to log in and save!

Use the **internet** and qualify for a **5% Discount** on *Standard orders* for all orders which include complete part numbers.\*

Note: Discounts Are Subject To Change



### Order via Fax (Dealers Only):

All customers are welcome to order parts via Fax.

**Domestic (US) Customers dial:**  
1-800-6-PARTS-7 (800-672-7877)

**Fax** your order in and qualify for a **2% Discount** on *Standard orders* for all orders which include complete part numbers.\*

Note: Discounts Are Subject To Change



**Order via Phone: Domestic (US) Dealers Call:**  
1-800-427-1244

### Non-Dealer Customers:

Contact your local Multiquip Dealer for parts or call 800-427-1244 for help in locating a dealer near you.



**International Customers** should contact their local Multiquip Representatives for Parts Ordering information.

## When ordering parts, please supply:

- |   |  |
|---|--|
| <input type="checkbox"/> Dealer Account Number                                | <input type="checkbox"/> Specify Preferred Method of Shipment:                         |
| <input type="checkbox"/> Dealer Name and Address                              | <input checked="" type="checkbox"/> UPS/Fed Ex <input checked="" type="checkbox"/> DHL |
| <input type="checkbox"/> Shipping Address (if different than billing address) | <input type="checkbox"/> Priority One <input checked="" type="checkbox"/> Truck        |
| <input type="checkbox"/> Return Fax Number                                    | <input type="checkbox"/> Ground  |
| <input type="checkbox"/> Applicable Model Number                              | <input type="checkbox"/> Next Day  |
| <input type="checkbox"/> Quantity, Part Number and Description of Each Part   | <input type="checkbox"/> Second/Third Day  |

### NOTICE

All orders are treated as *Standard Orders* and will ship the same day if received prior to 3PM PST.

WE ACCEPT ALL MAJOR CREDIT CARDS!



# EXPLANATION OF CODE IN REMARKS COLUMN

The following section explains the different symbols and remarks used in the Parts section of this manual. Use the help numbers found on the back page of the manual if there are any questions.

**NOTICE**

The contents and part numbers listed in the parts section are subject to change **without notice**. Multiquip does not guarantee the availability of the parts listed.

## SAMPLE PARTS LIST

NO.	PART NO.	PART NAME	QTY.	REMARKS
1	12345	BOLT.....	1	INCLUDES ITEMS W/%
2%		WASHER, 1/4 IN.....		NOT SOLD SEPARATELY
2%	12347	WASHER, 3/8 IN....	1	MQ-45T ONLY
3	12348	HOSE .....	A/R	MAKE LOCALLY
4	12349	BEARING .....	1	S/N 2345B AND ABOVE

### NO. Column

**Unique Symbols** — All items with same unique symbol

(@, #, +, %, or >) in the number column belong to the same assembly or kit, which is indicated by a note in the “Remarks” column.

**Duplicate Item Numbers** — Duplicate numbers indicate multiple part numbers, which are in effect for the same general item, such as different size saw blade guards in use or a part that has been updated on newer versions of the same machine.

**NOTICE**

When ordering a part that has more than one item number listed, check the remarks column for help in determining the proper part to order.

### PART NO. Column

**Numbers Used** — Part numbers can be indicated by a number, a blank entry, or TBD.

TBD (To Be Determined) is generally used to show a part that has not been assigned a formal part number at the time of publication.

A blank entry generally indicates that the item is not sold separately or is not sold by Multiquip. Other entries will be clarified in the “Remarks” Column.

### QTY. Column

**Numbers Used** — Item quantity can be indicated by a number, a blank entry, or A/R.

A/R (As Required) is generally used for hoses or other parts that are sold in bulk and cut to length.

A blank entry generally indicates that the item is not sold separately. Other entries will be clarified in the “Remarks” Column.

### REMARKS Column

Some of the most common notes found in the “Remarks” Column are listed below. Other additional notes needed to describe the item can also be shown.

**Assembly/Kit** — All items on the parts list with the same unique symbol will be included when this item is purchased.

Indicated by:  
 “INCLUDES ITEMS W/(unique symbol)”

**Serial Number Break** — Used to list an effective serial number range where a particular part is used.

Indicated by:  
 “S/N XXXXX AND BELOW”  
 “S/N XXXX AND ABOVE”  
 “S/N XXXX TO S/N XXX”

**Specific Model Number Use** — Indicates that the part is used only with the specific model number or model number variant listed. It can also be used to show a part is NOT used on a specific model or model number variant.

Indicated by:  
 “XXXXX ONLY”  
 “NOT USED ON XXXX”

**“Make/Obtain Locally”** — Indicates that the part can be purchased at any hardware shop or made out of available items. Examples include battery cables, shims, and certain washers and nuts.

**“Not Sold Separately”** — Indicates that an item cannot be purchased as a separate item and is either part of an assembly/kit that can be purchased, or is not available for sale through Multiquip.

## SUGGESTED SPARE PARTS

### LT12D50B LIGHT TOWER

1 to 3 units

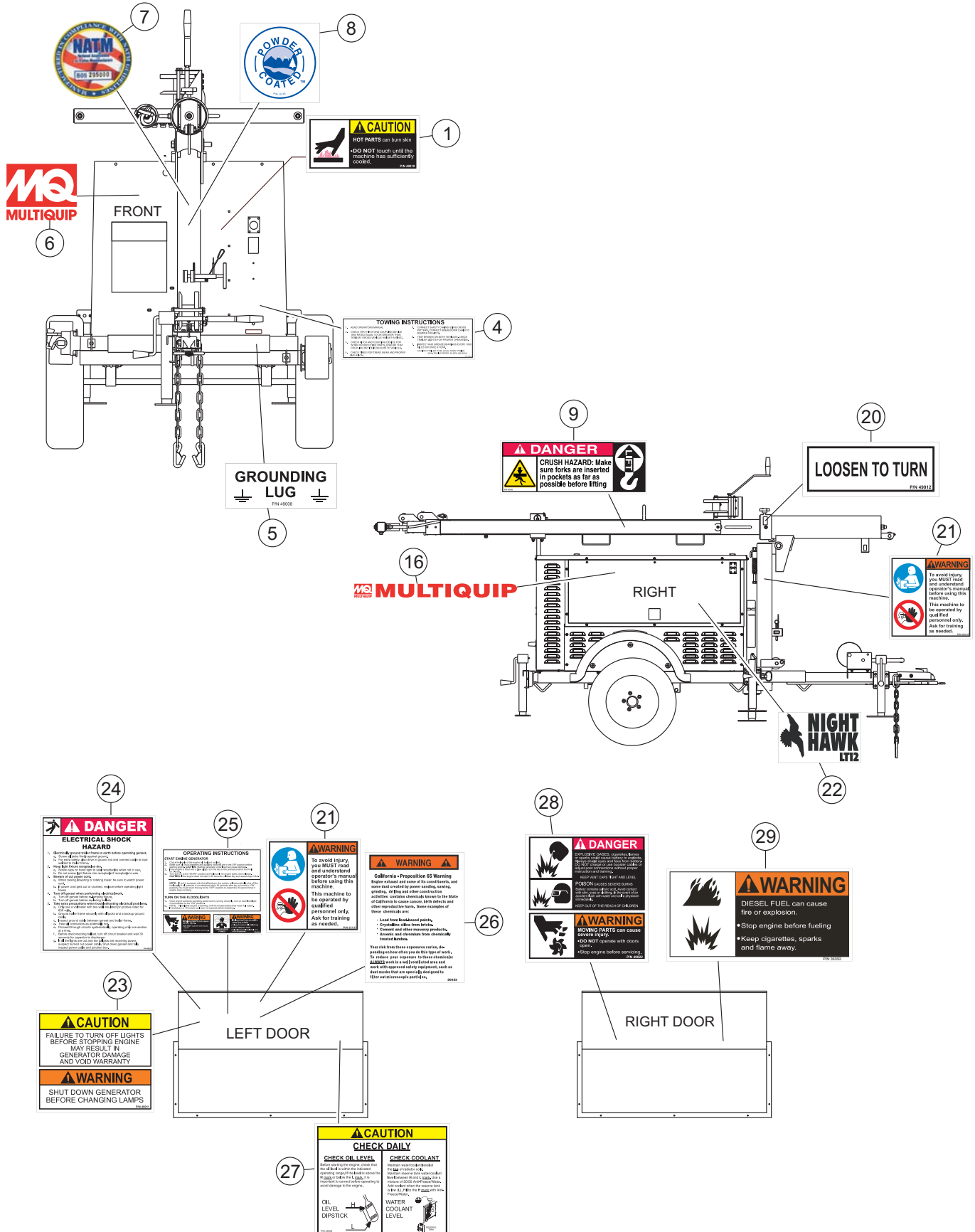
Qty.	P/N	Description
2.....	200ZG106 .....	Lens Gasket
2.....	190ZQREF .....	Lens
2.....	50Z-D-REF-SUP ..	Support, Lamp Tip
2.....	MVR1000BT37 ....	Bulb
1.....	29798 .....	Ballast & Capacitor 230V, 50Hz
1.....	150Z-E267 .....	Cord Set, 60" w/ 3 Pin Male Plug
1.....	0051475BH .....	Ballast Capacitor 30 $\mu$ F @440V
1.....	GECAP35MF .....	Excitation Capacitor 35 $\mu$ F @425V

### LT12D50B LIGHT TOWER WITH LOMBARDINI LDW 1003 DIESEL ENGINE

1 to 3 units

Qty.	P/N	Description
1.....	2175107 .....	Oil Filter, Lombardini
1.....	2175046.....	Fuel Filter 4-3/4"L
1.....	12850347 ....	Fuel Filter 2-3/4"L
1.....	2175143S ...	Fuel Filter W/Water Drain
1.....	2175164.....	Air Filter
1.....	12850745....	Fan Belt 875mm
1.....	12851312....	Lower Radiator Hose
1.....	12850362....	Upper Radiator Hose
1.....	9195124.....	Thermostat
1.....	12850153....	Thermostat Gasket (O-Ring)
1.....	6585097 .....	Fuel (Feed) Pump
1.....	1200087 .....	Fuel (Feed) Pump Gasket (O-Ring)
1.....	6584438.....	Water Pump
1.....	4580083.....	Water Pump Gasket
1.....	6745056.....	Oil Switch
1.....	12850742....	Alternator
1.....	7245454.....	Electric Panel Control Box
1.....	5840224.....	Starter
1.....	2440338.....	Timing Belt
1.....	5460450.....	Muffler
1.....	4400102.....	Valve Cover Gasket

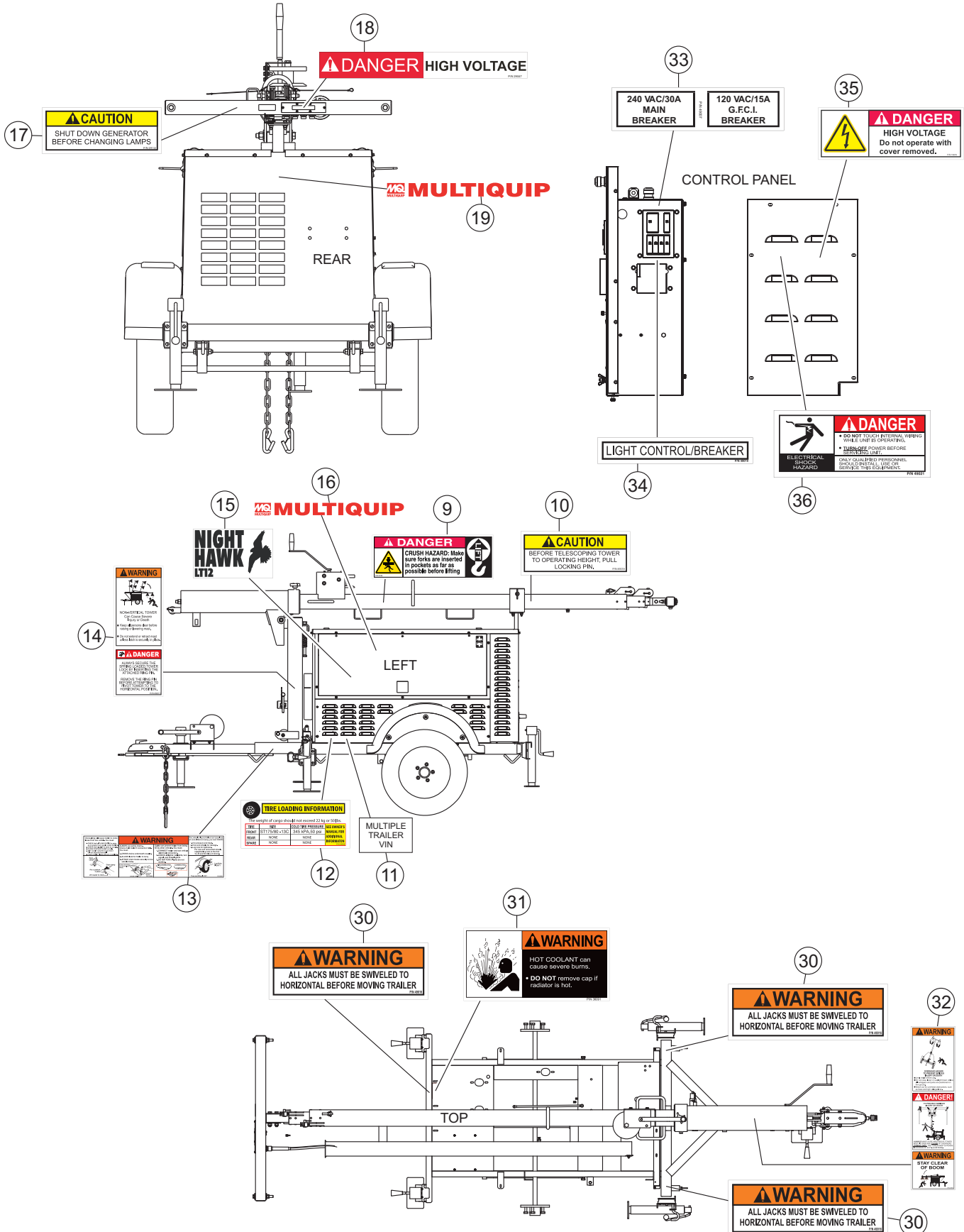
# NAMEPLATES AND DECALS 1



## NAMEPLATES AND DECALS 1

<u>NO.</u>	<u>PART NO.</u>	<u>PART NAME</u>	<u>QTY.</u>	<u>REMARKS</u>
1	49019	DECAL, HOT SURFACE .....	1	.... REPLACES DCL181
4	49009	DECAL, TOWING INSTRUCTIONS .....	1	.... REPLACES DCL112
5	49008	DECAL, GROUND LUG.....	1	.... REPLACES DCL105
6	49025	DECAL, MQ LOGO 5.6 X 4.5, RED	1	
7	29729	DECAL, NATM MANUFACTURER COMPLIANCE	1	
8	13118	DECAL, POWDER COATED	1	
9	29126	DECAL, INSERT FORKS.....	1	.... REPLACES DCL103
16	49026	DECAL, MQ/MULTIQUIP, 36" RED	1	
20	49012	DECAL, LOOSEN TO TURN (MAST) .....	1	.... REPLACES DCL116
21	35137	DECAL, READ MANUAL, ASK FOR TRAINING	2	
22	49029	DECAL, NIGHTHAWK/LT12, CURB SIDE	1	
23	49011	DECAL, LAMPS.....	1	.... REPLACES DCL113, DCL117
24	49020	DECAL, SHOCK HAZARD, LARGE.....	1	.... REPLACES DCL102
25	49014	DECAL, OPERATING INSTRUCTIONS.....	1	.... REPLACES DCL119, DCL180, DCL182, 36090
26	20525	DECAL, WARNING "PROP 65", 3.25 X 4.25	1	
27	49006	DECAL, CHECK ENGINE.....	1	.... REPLACES DCL193, DCL194
28	49022	DECAL, DANGER BATTERY/MOVING PARTS .....	1	.... REPLACES DCL182, DCL191
29	36092	DECAL, DIESEL FUEL, 3.5 X 1.75.....	1	.... REPLACES DCL184

# NAMEPLATES AND DECALS 2

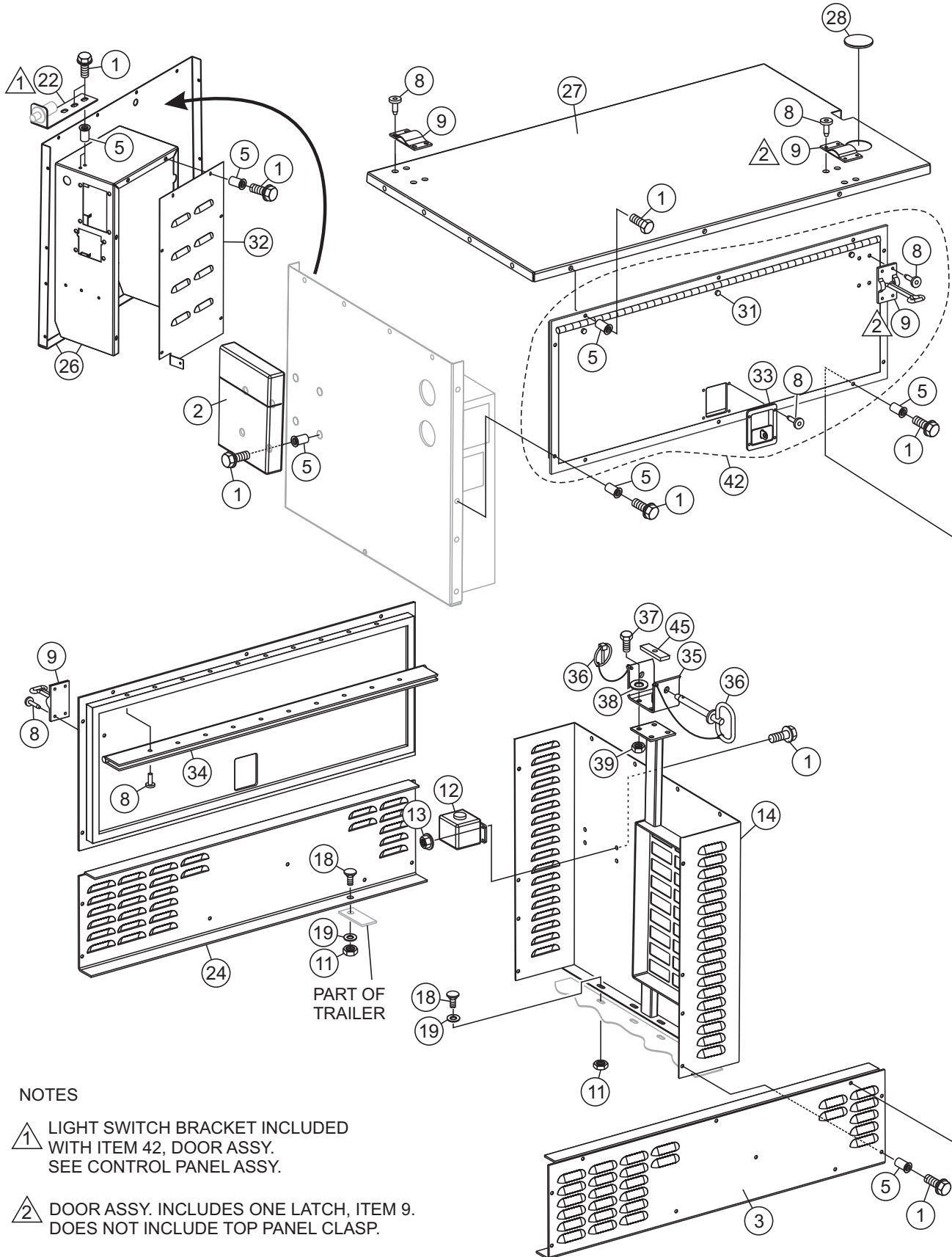




## NAMEPLATES AND DECALS 2

<u>NO.</u>	<u>PART NO.</u>	<u>PART NAME</u>	<u>QTY.</u>	<u>REMARKS</u>
9	29126	DECAL, INSERT FORKS.....	1	REPLACES DCL103
10	49018	DECAL, MAST LOCK PIN .....	1	REPLACES DCL118
11	29680	DECAL, MULTIPLE TRAILER VIN	1	
12	29838	DECAL, TIRE LOADING, LT12	1	
13	49002	DECAL, TRLR HITCH/WHEEL WARNING .....	1	REPLACES 29471, 29472, 29473, 29474
14	49013	DECAL, STANCHION LATCH .....	1	REPLACES DCL109, DCL104
15	49028	DECAL, NIGHTHAWK/LT12, ROAD SIDE	1	
16	49026	DECAL, MQ/MULTIQUIP, 36" RED	1	
17	29132	DECAL, SHUT DOWN	1	
18	29047	DECAL, HIGH VOLTAGE	1	
19	49027	DECAL, MQ/MULTIQUIP, 30" RED	1	
30	49016	DECAL, HORIZONTAL JACKS .....	3	REPLACES DCL106
31	36091	DECAL, HOT COOLANT 3.5 X 1.75.....	1	REPLACES DCL183
32	29651	DECAL, MAST SAFETY .....	1	REPLACES DCL108, DCL120
33	49007	DECAL, MAIN BREAKERS.....	1	REPLACES DCL189, DCL199
34	49010	DECAL, LIGHT CONTROLS.....	1	REPLACES DCL115
35	19655	DECAL, DANGER HIGH VOLTAGE .....	1	REPLACES 29116
36	49021	DECAL, SHOCK HAZARD, SMALL .....	1	REPLACES DCL187

# CABINET ASSY.



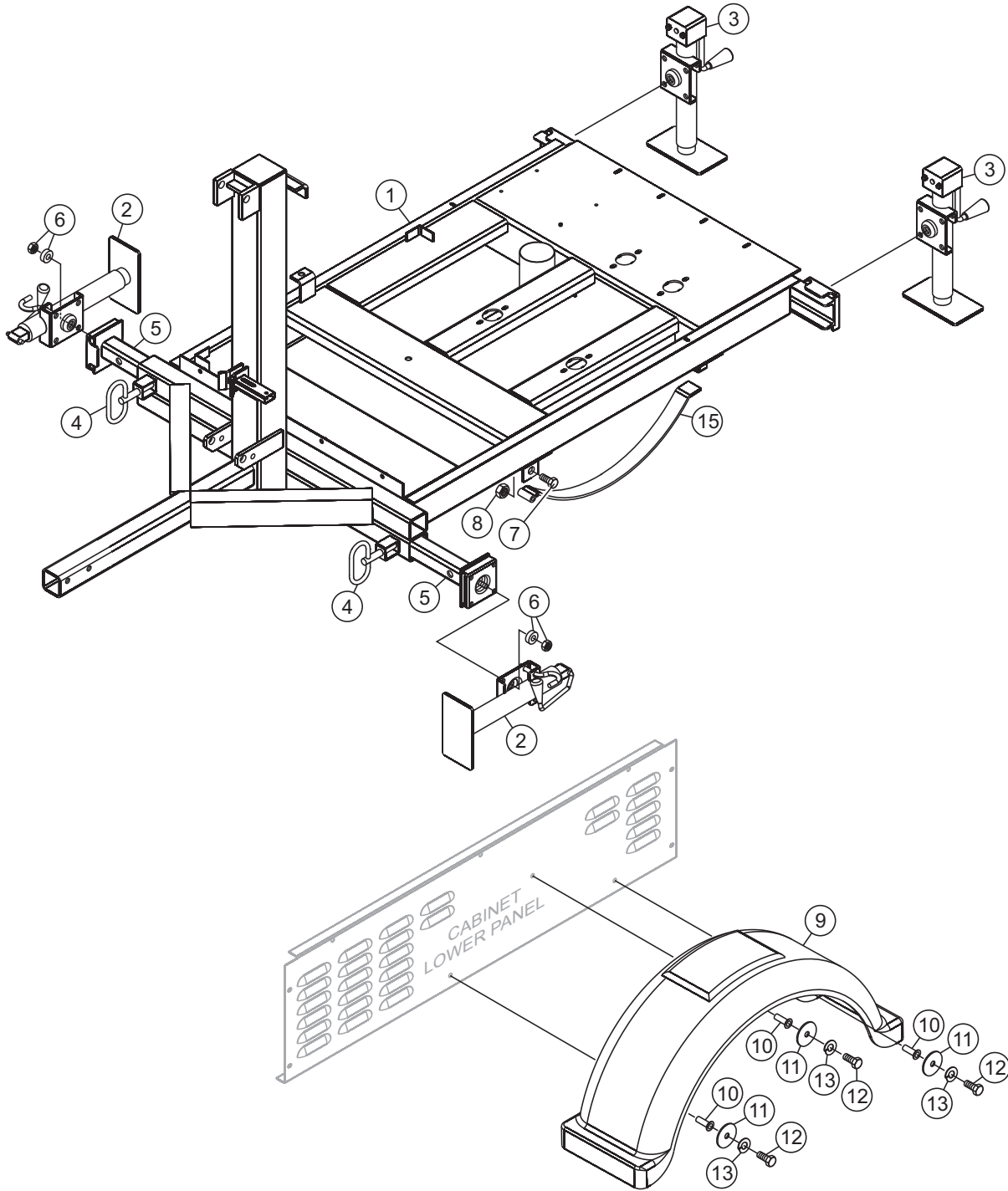
## NOTES

- ⚠️ LIGHT SWITCH BRACKET INCLUDED WITH ITEM 42, DOOR ASSY. SEE CONTROL PANEL ASSY.
- ⚠️ DOOR ASSY. INCLUDES ONE LATCH, ITEM 9. DOES NOT INCLUDE TOP PANEL CLASP.

# CABINET ASSY.

<u>NO.</u>	<u>PART NO.</u>	<u>PART NAME</u>	<u>QTY.</u>	<u>REMARKS</u>
1	49048	SCREW, HHFS 1/4-20 X 3/4 GR5	50	
2	29057	DOCUMENT BOX, CP20007-07	1	
3	29943	PANEL, LOWER LEFT SIDE	1	
5	19266	NUT, BLIND 1/4-20 X 10GA GRIP	50	
8%	19847	RIVET, POP, ALUM, 3/16 X 1/8-1/4 GRIP	66	
9%	29281	DOOR HOLD BACK ASSY.	4	
11	10024	NUT, NYLOC 1/4-20	6	
12	29653	TANK, COOLANT RECOVERY 1 QT	1	
13	10024	NUT, NYLOC 1/4-20	4	
14	29967	PANEL, REAR	1	
18	29712	BOLT, CARRIAGE 1/4-20 X 3/4	6	
19	0948	WASHER, FLAT SAE 1/4	6	
22%	29607	BRACKET, LIGHT SWITCH	1	
24	29942	PANEL, LOWER RIGHT SIDE	1	
26	29975	PANEL, FRONT//ELECTRICAL ENCLOSURE, SNAP	1	
27	29553	PANEL, TOP	1	
28	29989	COVER, PLASTIC SNAP 4.0 HOLE	1	
31%	29711	BUMPER, 1/2 DIA. BLACK	6	
32	29879	COVER, BALLAST DLT, SNAP FIT SWITCH	1	
33%	081407053413	LATCH	2	
34%		PIANO HINGE		
35	29936	MAST SUPPORT	1	
36	19280	PIN, 5/8" X 6"	1	
37	1023	SCREW, HHC 3/8-16 X 1-1/4 GR 5	4	
38	10136	WASHER, FLAT SAE 3/8	4	
39	10133	NUT, NYLOC 3/8-16	4	
42	49051	DOOR ASSY.....	2	INCLUDES ITEMS W/%
45	29946	STOP, MAST SUPPORT, 3/8"	1	
50	29554	SUPPORT, PANEL TOP	1	

# TRAILER ASSY.

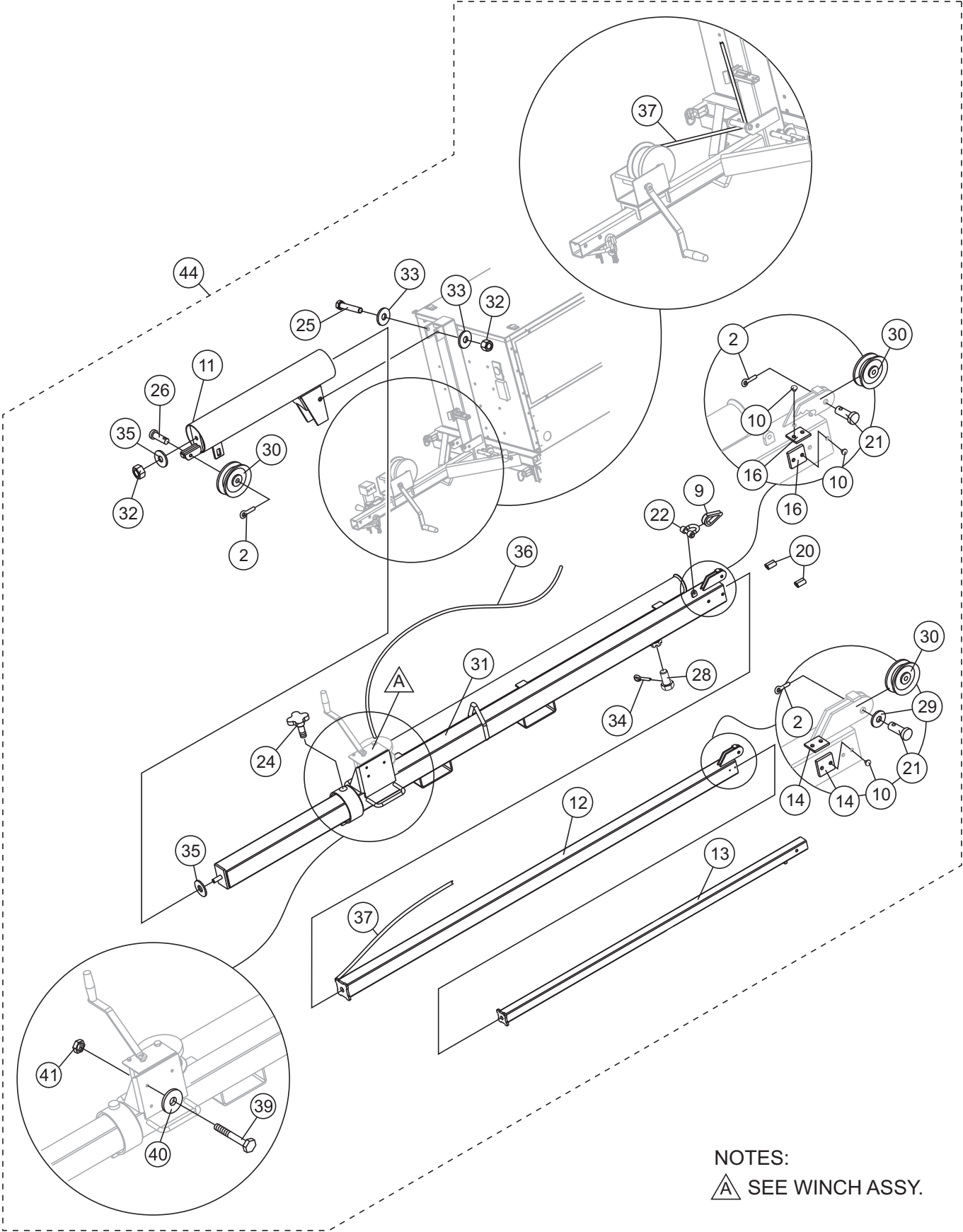


## TRAILER ASSY.

---

<u>NO.</u>	<u>PART NO.</u>	<u>PART NAME</u>	<u>QTY.</u>	<u>REMARKS</u>
1	29963	FRAME, BUNDED	1	
2	29478	JACK, TOPWIND 10" BOLT-THRU .5 PIN	2	
3	29479	JACK, SIDEWIND 10" BOLT THRU 0.5" PIN	2	
4	29542	PIN, SPRING LOCK, .625" DIA. X .88"	2	
5	49076	OUTRIGGER, W/A, BOLT MOUNT, PAINTED	2	
6	7H0933325	BUSHING/LOCKNUT/BOLT	5	
7	29248	SCREW, HHC 9/16-18	2	
8	29249	NUT, 9/16-18 AXLE MOUNTING N-2	2	
9	29818	FENDER, PLASTIC DLT	2	
10	19266	NUT, BLIND 1/4-20 X 10GA GRIP	6	
11	10930	WASHER, FENDER, 1/4 X 1-1/4	6	
12	0730	SCREW, HHC 1/4-20 X 1	6	
13	0181 B	WASHER, LOCK 1/4 MED	6	
15	49017	LEAF SPRING	2	

**MAST ASSY.**

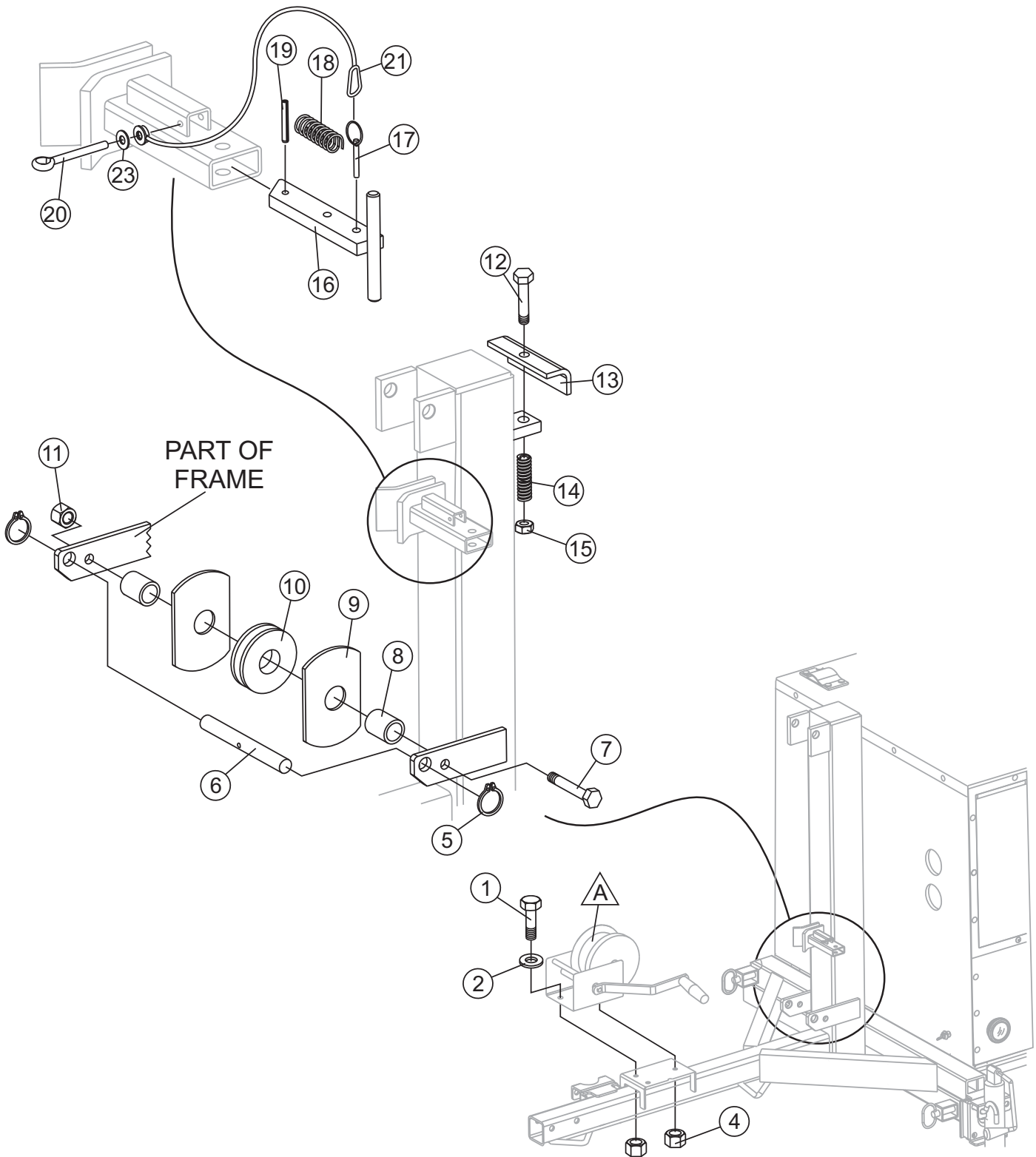


NOTES:  
▲ SEE WINCH ASSY.

# MAST ASSY.

<u>NO.</u>	<u>PART NO.</u>	<u>PART NAME</u>	<u>QTY.</u>	<u>REMARKS</u>
2	0183	PIN, COTTER 1/8D X 1-1/4	3	
9	19200	THIMBLE, 3/16 WIRE	1	
10	19847	RIVET, POP, ALUM, 3/16x1/8-1/4 GRIP	16	
11	19882	SWIVEL, BASE W/A	1	
12	19920	TUBE, TW-MID W/A	1	
13	19923	TUBE, TWR TOP W/A	1	
14	35302	BLOCK, MAST SLIDE, 2 X 2 UPPER	4	
16	35300	BLOCK, MAST SLIDE, 3 X 3 LOWER	4	
20	19973	SWAGE, AL 3/16	2	
21	19974	PIN, CLEVIS 1/2 X 1.25 EFF	2	
22	19975	SHACKLE, ANCHOR CP	1	
24	19977	KNOB, CLAMP 1/2-13 THREAD	1	
25	19978	SCREW, HHC 3/4-10 x 6.5	1	
26	19988	PIN, CLEVIS 1/2 X 1.75 EFF	1	
28	29075	SCREW, HHC 1/2-13 X 1 DRILLED	1	
29	29114	WASHER, FENDER 1/2 x 2 MLT	1	
30	29155	SHEAVE, 2.00 OD X 0.500 ID	3	
31	29941	TUBE, BOTTOM TOWER W/A	1	
32	5070 B	NUT, NYLOC 3/4-10	2	
33	5079	WASHER, FLAT 3/4 USS	3	
34	6014 B	PIN, COTTER 3/32DX1.00	1	
35	8151	WASHER, FLAT SAE 3/4	2	
36	19939	CABLE, LOWER MAST .....	1	.....231 IN. LENGTH
37	19938	CABLE, UPPPER MAST.....	2	..... 140 IN. LENGTH
39	1023	HHC 3/8-16 X 1-1/4 GR5	3	
40	10136	WASHER, FLAT 3/8 SAE	3	
41	21781	NUT, FLANGED 3/8-16 SERRATED, PLATED	3	
44	29650	MAST ASSY.	1	

# MAST RAISE/LOWER ASSY.



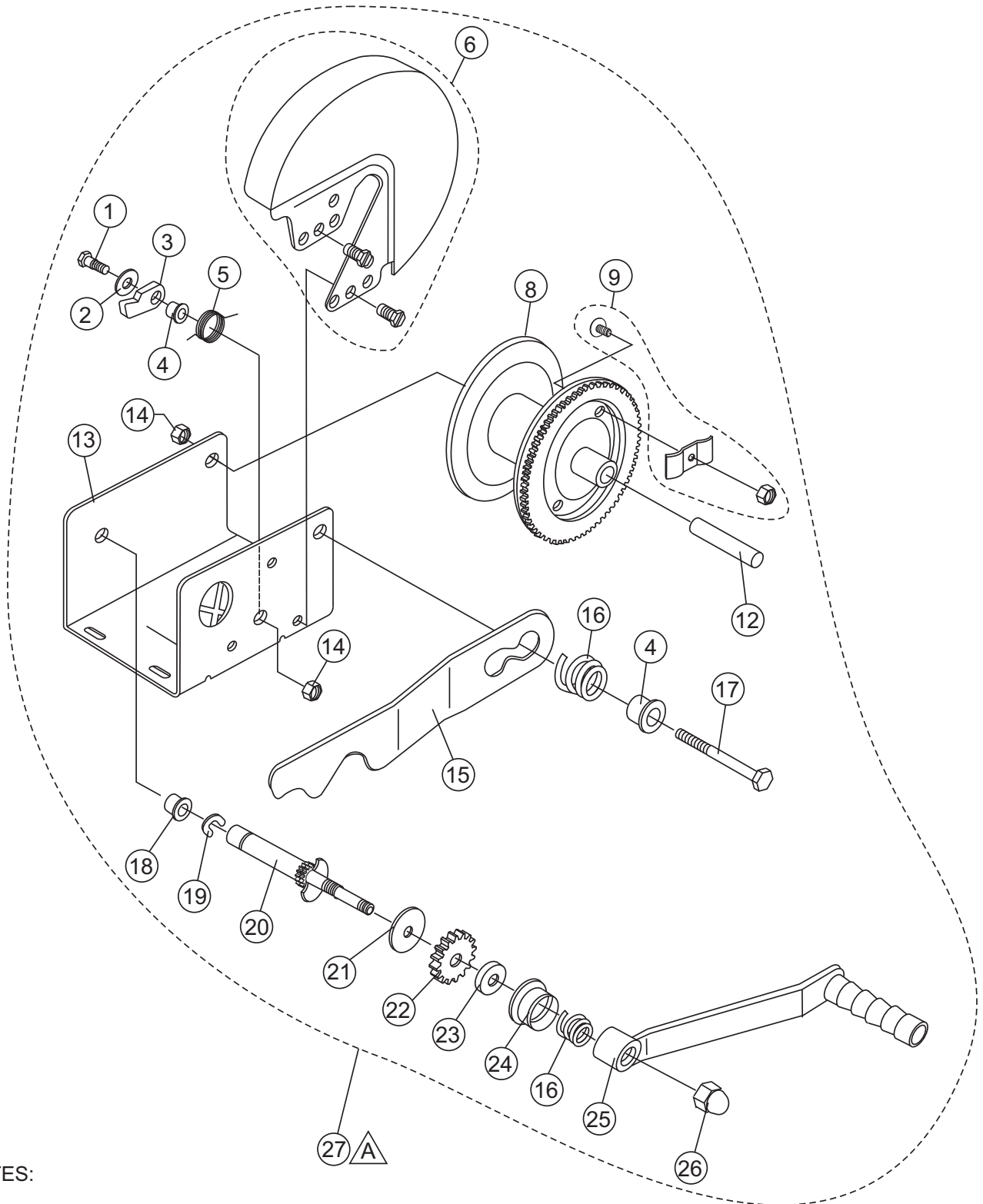
## NOTES:

▲ SEE WINCH ASSY.



## MAST RAISE/LOWER ASSY.

<u>NO.</u>	<u>PART NO.</u>	<u>PART NAME</u>	<u>QTY.</u>	<u>REMARKS</u>
1	0205	SCREW, HHC 3/8-16 x 1 IN. PLATED	3	
2	10136	WASHER, FLAT 3/8 IN.	3	
4	21781	NUT, FLANGED 3/8-16 SERRATED, PLATED	3	
5	1135	SNAP RING	2	
6	29008	PIN, SWAGE BALL SOCKET	1	
7	29017	SCREW, HHC 1/2-13 x 5.5 IN.	1	
8	29018	SPACER, .75 OD x .5 ID x 1.59 IN.	2	
9	29016	GUIDE, WIRE ROPE	2	
10	29155	SHEAVE, 2 OD x .5 IN. ID	1	
11	10176	NUT, NYLOC 1/2-13 IN.	1	
12	29077	SCREW, HHC 5/8-11 x 9.5 IN.	1	
13	29481	STOP, MAST THRUST SPRING	1	
14	19989	SPRING, TOWER	1	
15	9503	NUT, NYLOC 5/8-11 IN.	1	
16	29033	TOWER, LOCK	1	
17	19012	LOCK PIN 5/16 x 2 IN. QUICK RELEASE	1	
18	29482	SPRING, .468 OD x 2.13 IN.	1	
19	20276	PIN, ROLL 1/4 x 1.75 IN.	1	
20	0183	PIN, COTTER 1/8D x 1-1/4 IN.	1	
21	19996	LANYARD	1	
23	1450	WASHER, FLAT SAE #6	1	



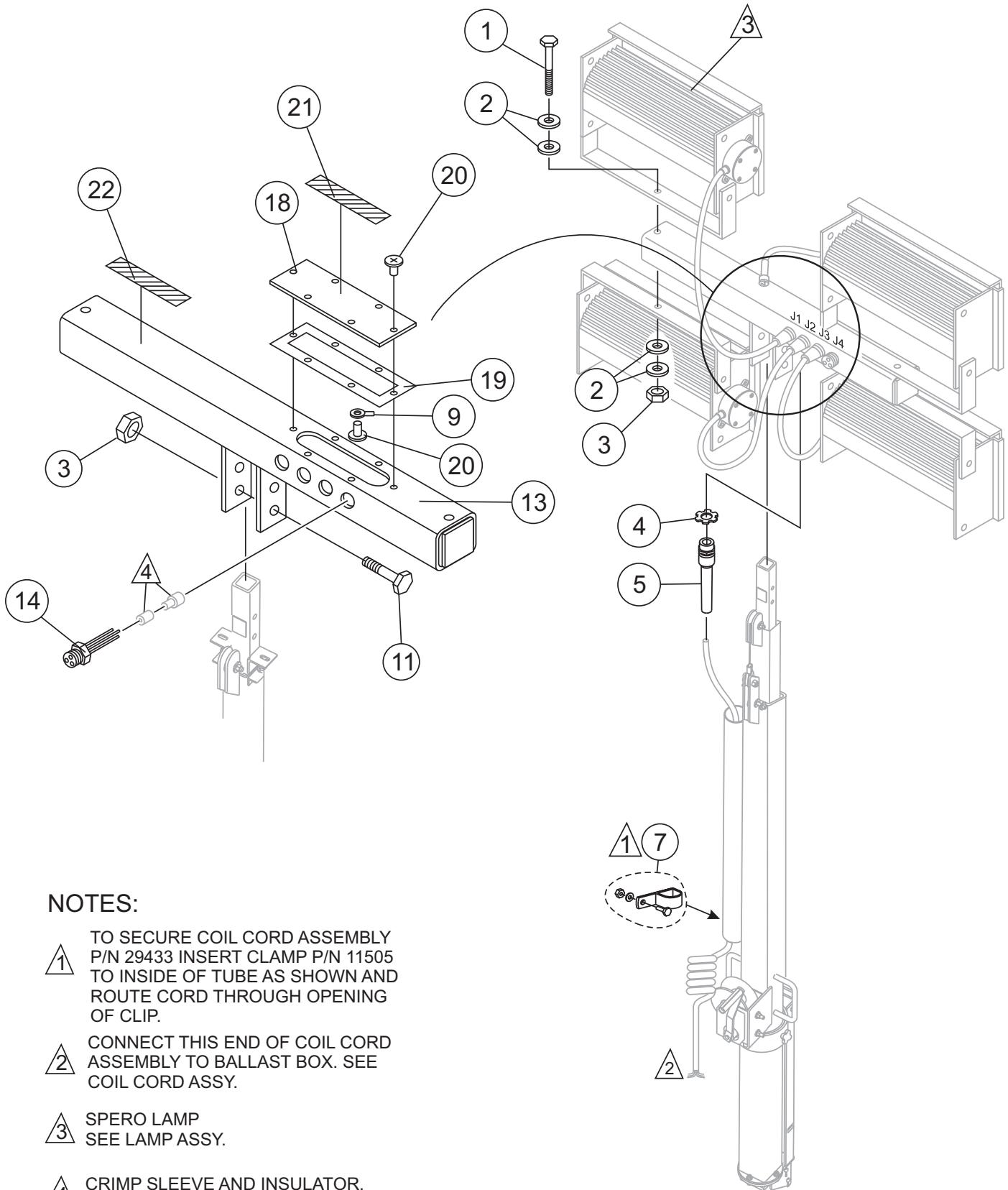
NOTES:

**A** REFER TO MAST AND TRAILER ASSEMBLIES FOR WINCH MOUNTING HARDWARE.

# WINCH ASSY.

<u>NO.</u>	<u>PART NO.</u>	<u>PART NAME</u>	<u>QTY.</u>	<u>REMARKS</u>
1#	DL205167	BOLT	1	
2#	DL205055	WASHER	1	
3#	DL404409	PAWL	1	
4#	DL404166	SPACER	2	
5#	DL204363	SPRING	1	
6#	DL5240387	GEAR COVER, PAINTED BRONZE	1	
6#	DL5240403	GEAR COVER, PLATED	1	
8#	DL304755	REEL	1	
9#	DL304221	ROPE CLAMP KIT	1	
12#	DL204808	REEL SPACER	1	
13#	DL404891	BASE	1	
14#	DL204803	NUT	2	
15#	DL404579	LOCKOUT LEVER	1	
16#	DL204364	SPRING	2	
17#	DL205127	BOLT	1	
18#	DL204009	BUSHING	1	
19#	DL205116	E-RING	1	
20#	DL304760	DRIVE SHAFT	1	
21#	DL204362	PRESSURE PLATE	1	
22#	DL404164	RATCHET WHEEL	1	
23#	DL404163	PRESSURE WASHER	1	
24#	DL206328	BUSHING	1	
25#	29793	HANDLE	1	
26#	DL205033	NUT	1	
27	29790	WINCH ASSEMBLY 1500A D-L.....	1	.....INCLUDES ITEMS W/#

# T-BAR ASSY.



## NOTES:

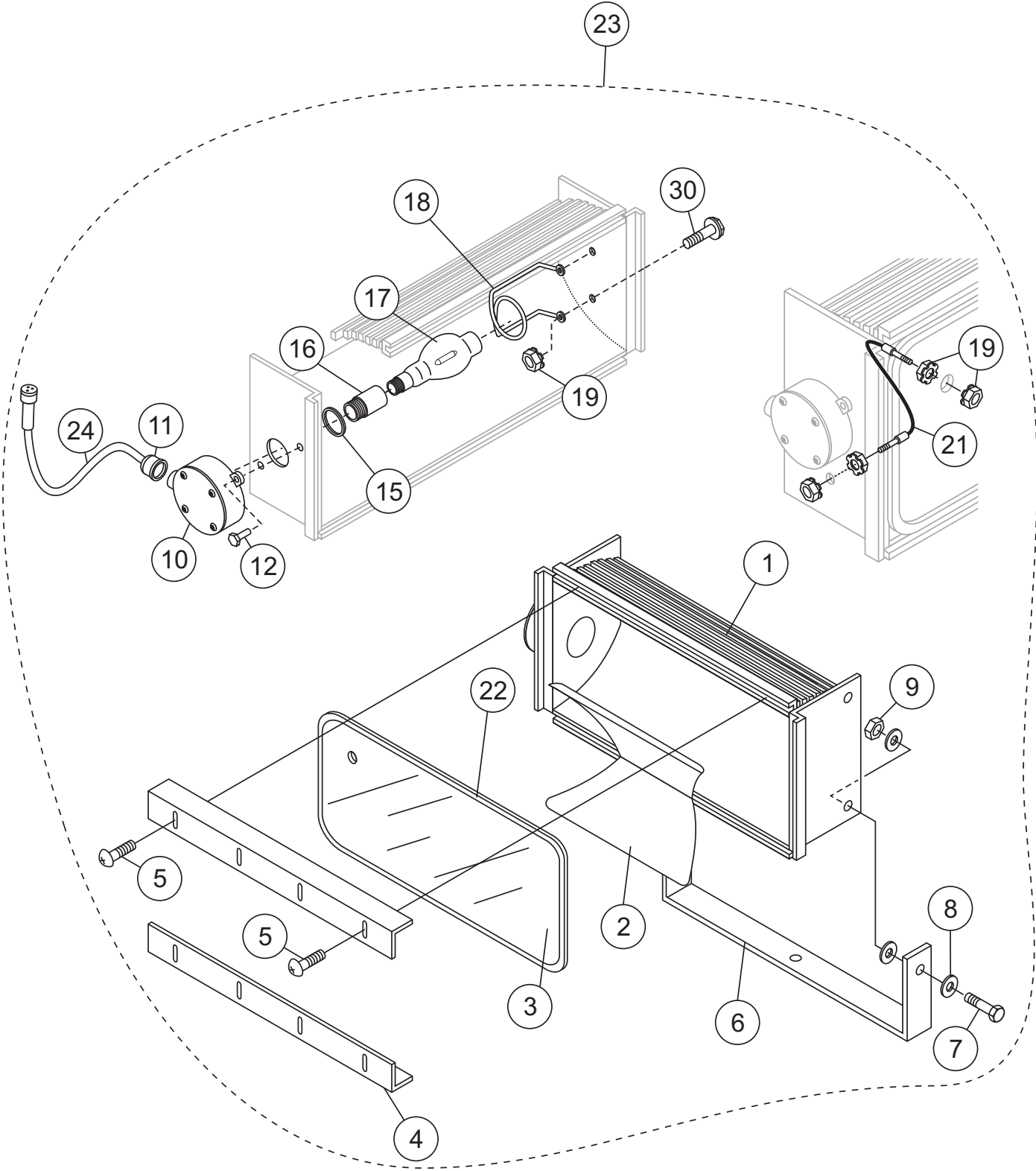
- ① TO SECURE COIL CORD ASSEMBLY P/N 29433 INSERT CLAMP P/N 11505 TO INSIDE OF TUBE AS SHOWN AND ROUTE CORD THROUGH OPENING OF CLIP.
- ② CONNECT THIS END OF COIL CORD ASSEMBLY TO BALLAST BOX. SEE COIL CORD ASSY.
- ③ SPERO LAMP SEE LAMP ASSY.
- ④ CRIMP SLEEVE AND INSULATOR. SEE COIL CORD ASSY.

## T-BAR ASSY.

---

<u>NO.</u>	<u>PART NO.</u>	<u>PART NAME</u>	<u>QTY.</u>	<u>REMARKS</u>
1	10306	SCREW, HHC 1/2-13 X 4 1/2	2	
2	13211	WASHER, FLAT 1/2 IN. USS	8	
3	10176	NUT, NYLOC 1/2-13	4	
4	26560	NUT, LOCKING 3/4 NPT CONDUIT	1	
5	19965	CORD GRIP (HUBBELL 07401017)	1	
7	11505	CLAMP	1	
9	3254	TERMINAL, RING 16-14 3/8 IN.	1	
11	06503-026	SCREW, HHC 1/2-13 X 3-1/4 IN.	2	
13	29781	TEE-BAR, LIGHT MOUNT, MLT/DLT SPERO	1	
14	29168	RECEPTACLE ASSY	4	
18	19945	PLATE, T-BAR WIRING COVER	1	
19	19944	GASKET, T BAR	1	
20	29046	SCREW, PHPM 10-32 X 3/8 IN. ZINC	7	
21	29047	DECAL, HIGH VOLTAGE	1	
22	19972	REFLECTOR, RED, PETERSON #B491R	1	

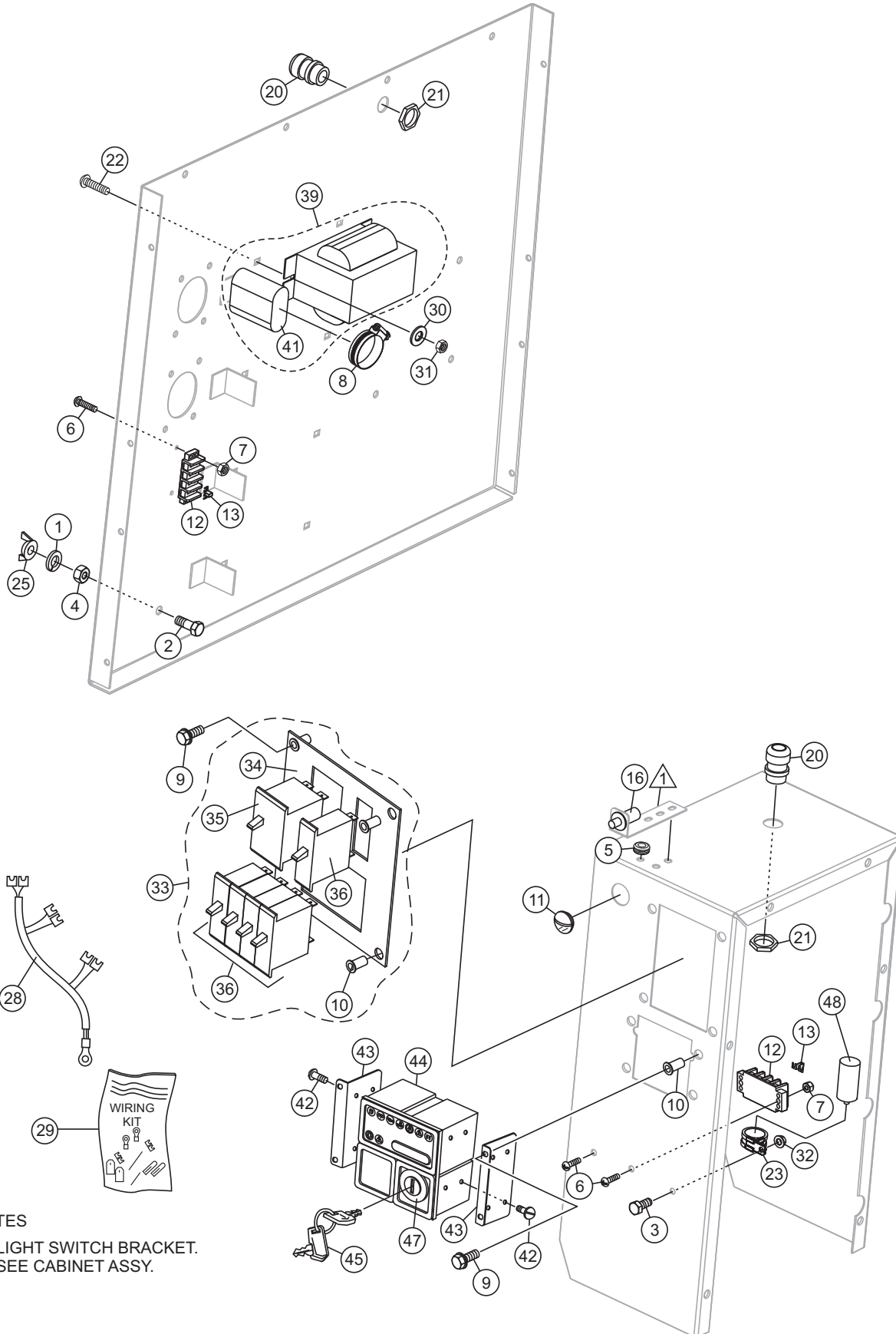
**LAMP ASSY.**



# LAMP ASSY.

<u>NO.</u>	<u>PART NO.</u>	<u>PART NAME</u>	<u>QTY.</u>	<u>REMARKS</u>
1%	20S-REF-1	REF1000 BODY ASSY.	1	
2%	30M-REF-REF	REFLECTOR, ALUMINUM 14-7/8 X 16-5/8 IN.	1	
3%	190ZQREF	REF 1000 LENS 190ZQREF	1	
4%	170M-REF-5	REF LENS HOLD DOWN	2	
5%	70Z-FSCR3	SCREW 8-32 X 1/2 IN.	8	
6%	250-REF-6	YOKE, LIGHT FIXTURE	1	
7%	260Z-FSCR9	BOLT, HEX HEAD 1/2-13 x 1-1/2 IN.	2	
8%	280Z-FWFL2	WASHER, FLAT 1/2 IN.	4	
9%	270Z-FNT4	NUT, HEX 1/2-13 IN.	2	
10%	Z-C-239	VAPORTITE OCTAGON BOX 1/2 IN. W/4 THREADED PLUGS G9 SILVER	1	
11%	150Z-FSR3	STRAIN RELIEF SRW 1/2 IN. BLACK	1	
12%	Z-FSCR9	BOLT, HEX HEAD ZINC PLATED 1/2-13 X 1-1/2 IN.	2	
15%	90Z-G-102	GASKET, HEX #5 OR #6	1	
16%	70Z-SK65	MOGUL SOCKET W/ANTI-VIBRATION GASKET	1	
17%	MVR1000BT37	BULB, LIGHT FIXTURE	1	
18%	50Z-D-REF-SUP	SUPPORT, REF1000 LAMP TIP	1	
19%	230Z-FNTL6-1	KEEP NUT 8-32	6	
21%	210S-CBL-6	CABLE ASSEMBLY	1	
22%	200ZG106	GASKET, U-CHANNEL REFLECTOR 200ZG106	1	
23	29773	LIGHT FIXTURE ASSY. ....	1	INCLUDES ITEMS W/%
24%	150Z-EZ67	POWER CORD, 60" W/ 3-PIN MALE PLUG	1	
30%	4106781000	SCREW, 8-32 X 3/8	2	

# CONTROL PANEL/BALLAST ASSY.



**NOTES**

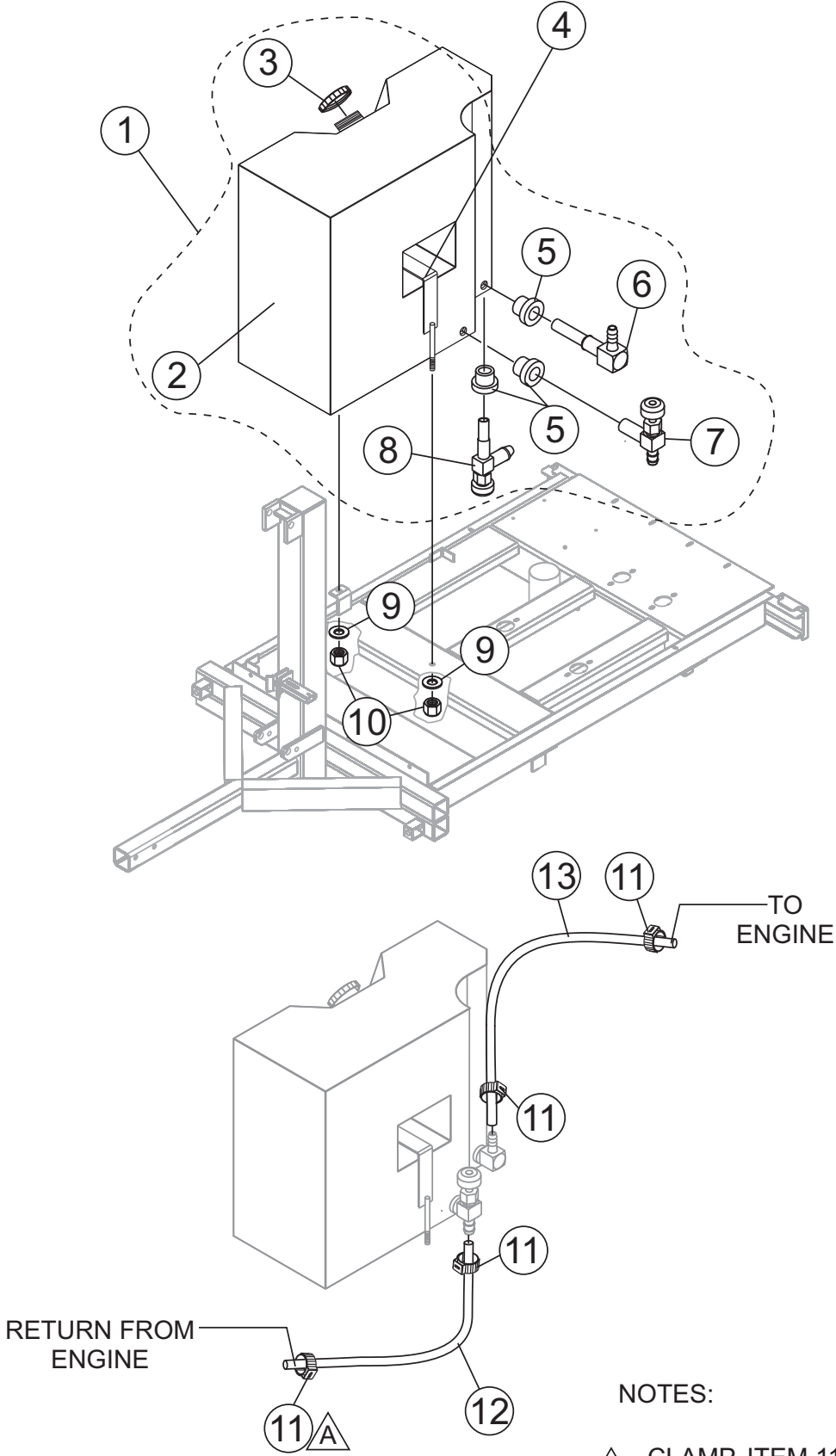
▲ LIGHT SWITCH BRACKET.  
SEE CABINET ASSY.



## CONTROL PANEL/BALLAST ASSY.

<u>NO.</u>	<u>PART NO.</u>	<u>PART NAME</u>	<u>QTY.</u>	<u>REMARKS</u>
1	0166 A	WASHER, LOCK, 3/8 MED.	1	
2	0205	SCREW, HHC 3/8-16 X 1 PLATED	1	
3	06500-007	SCREW, HHC 5/16-18x7/8	1	
4	1876	NUT, HEX FINISH 3/8-16	1	
5	2574	GROMMET, 5/16" ID 7/16" OD	1	
6	8133	SCREW, PHP 10-32 X 3/4	4	
7	10019	NUT, NYLOC 10-32	4	
8	12277	CLAMP, HOSE WORM 1-9/16 TO 2 SIZE 32	4	
9	49048	SCREW, HHFS 1/4-20 X 3/4 G5	8	
10%	19266	NUT, BLIND 1/4-20 X 10 GA	8	
11	19297	LIGHT, PETERSON MFG V438	1	
12	19968	TERMINAL BLOCK ( DC 70014 )	2	
13	29071	CONNECTOR, QUICK SCREW TERMINAL	4	
16	29603	SWITCH, MOMENTARY	1	
20	29655	FITTING, STRAIN RELIEF HEYCO 3234	2	
21	29656	LOCKNUT, NYLON	2	
22	29712	BOLT, CARRIAGE 1/4-20 X 3/4	8	
23	29796	CLAMP, CUSHIONED LOOP, 1-3/4 DIA X1	1	
25	W29109	NUT, WING 3/8-16	1	
28	49063	HARNESS, LT12 50 HZ (AC), 115V	1	
29	49047	WIRING KIT, SWITCH LT SA	1	
30	0948	WASHER, FLAT SAE 1/4	8	
31	10024	NUT, NYLOC 1/4-20	8	
32	5283	NUT, NYLOC 5/16-18	1	
33	29865	SNAP SWITCH PLATE ASSY.....	1	INCLUDES ITEMS W/%
34%	29864	SNAP FIT SWITCH INSERT	1	
35%	29848	CIRCUIT BREAKER, 2 POLE, 30A SNAP FIT	1	
36%	29847	CIRCUIT BREAKER, 1 POLE, 15A SNAP FIT	5	
39	29798	BALLAST AND CAPACITOR, 230V 50 HZ .....	4	INCLUDES ITEMS W/@
41@		BALLAST CAPACITOR 30µF @440V	4	
42	29719	SCREW HHC M5-.8 X 8MM PLATED, 8.8 DIN	8	
43	29795	BRACKET, CONTROL PANEL	2	
44	7245454	CONTROL PANEL, LOMBARDINI	1	
45	50404900	KEYS, IGNITION, DOUBLE-SIDED	2	
47	50384401	IGNITION SWITCH	1	
48	GECAP35MF	EXCITATION CAPACITOR 35µF @425V	1	

# FUEL TANK ASSY.

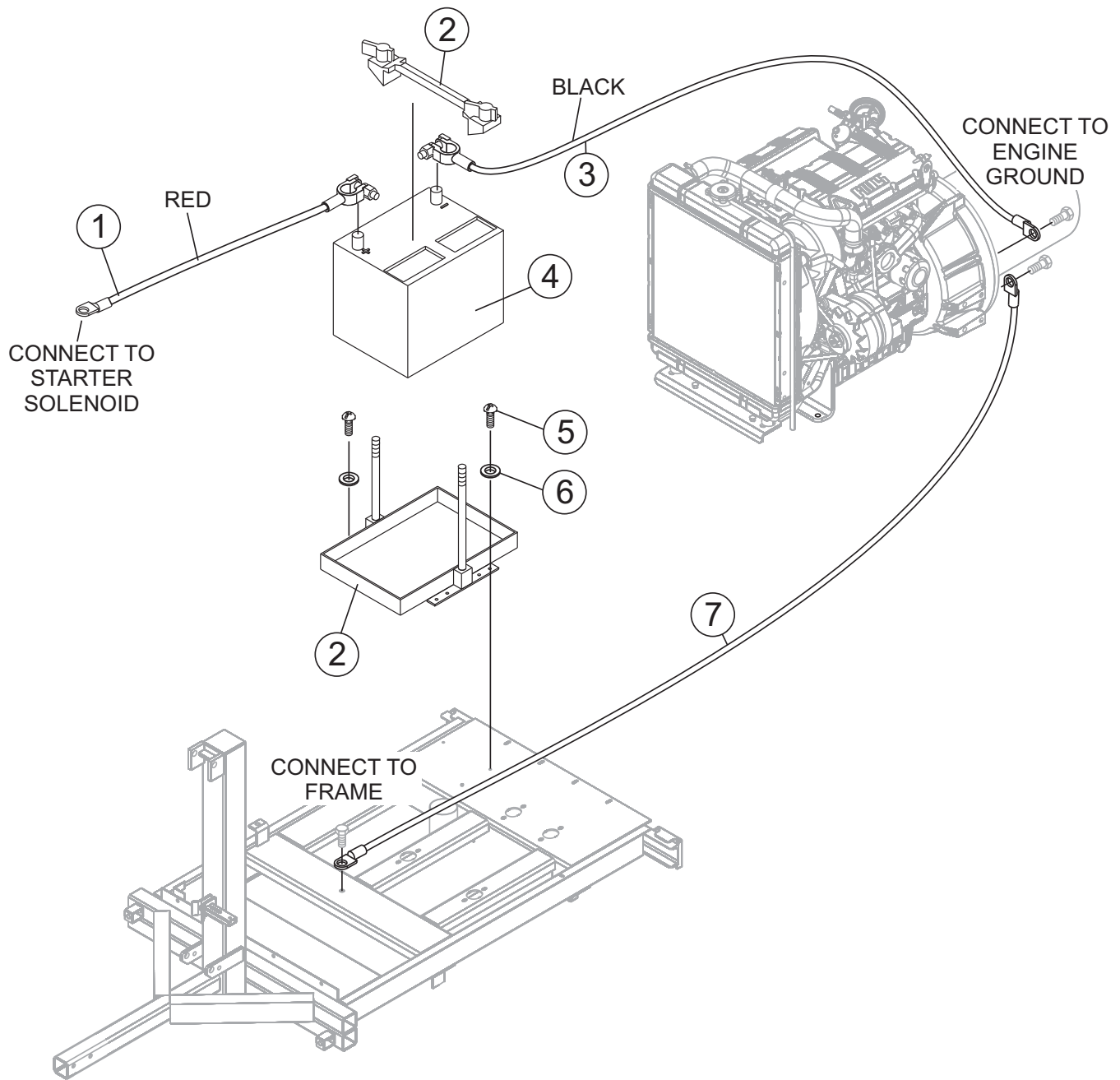


## FUEL TANK ASSY.

---

<u>NO.</u>	<u>PART NO.</u>	<u>PART NAME</u>	<u>QTY.</u>	<u>REMARKS</u>
1	29676	FUEL TANK ASSY.....	1.....	INCLUDES ITEMS W/#
2#	29605	FUEL TANK	1	
3#	29694	CAP, FUEL TANK W/LANYARD	1	
4	29992	STRAP, FUEL TANK	1	
5#	19633	BUSHING, FUEL	3	
6#	12006	FITTING, 90°	1	
7#	20795	VALVE, SHUTOFF 4MBARB X 6SBARB SCREEN	1	
8#	19661	VALVE, SHUTOFF 5BARB X 6SBARB NO SCREEN	1	
9	13211	WASHER, FLAT 1/2 USS	2	
10	10176	NUT, NYLOCK 1/2-13	2	
11	22066	CLAMP, STEPLESS EAR 3/16 HOSE #123	4	
12	60028	HOSE, FUEL RETURN .312 ID SAE J30R7 AR	1PC = 1 FT.	
13	60004	HOSE, FUEL LINE .187 I.D. SAE J30R7 AR	1PC = 1 FT.	

# BATTERY ASSY.

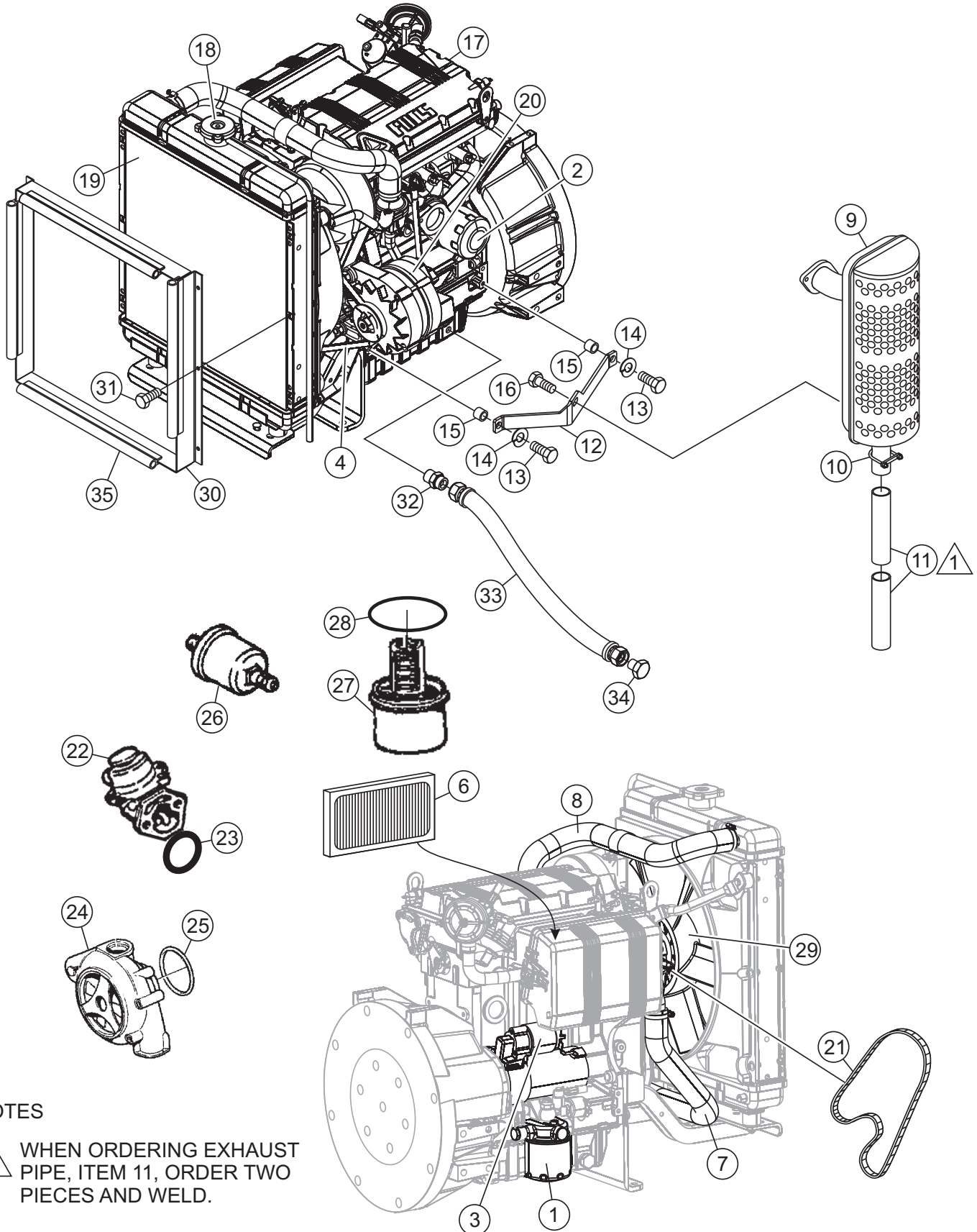


## BATTERY ASSY.

---

<u>NO.</u>	<u>PART NO.</u>	<u>PART NAME</u>	<u>QTY.</u>	<u>REMARKS</u>
1	19303	CABLE, POS. BATTERY (+)	1	
2	29661	BATTERY TRAY	1	
3	12278	CABLE, NEG. BATTERY (-)	1	
4	10315	BATTERY, WET 12V GR22	1	
5	1623	SCREW, RHM #10-24 x .75 IN.	4	
6	2203	WASHER, FLAT #10	4	
7	1597	CABLE, BATTERY	1	

# ENGINE ASSY.



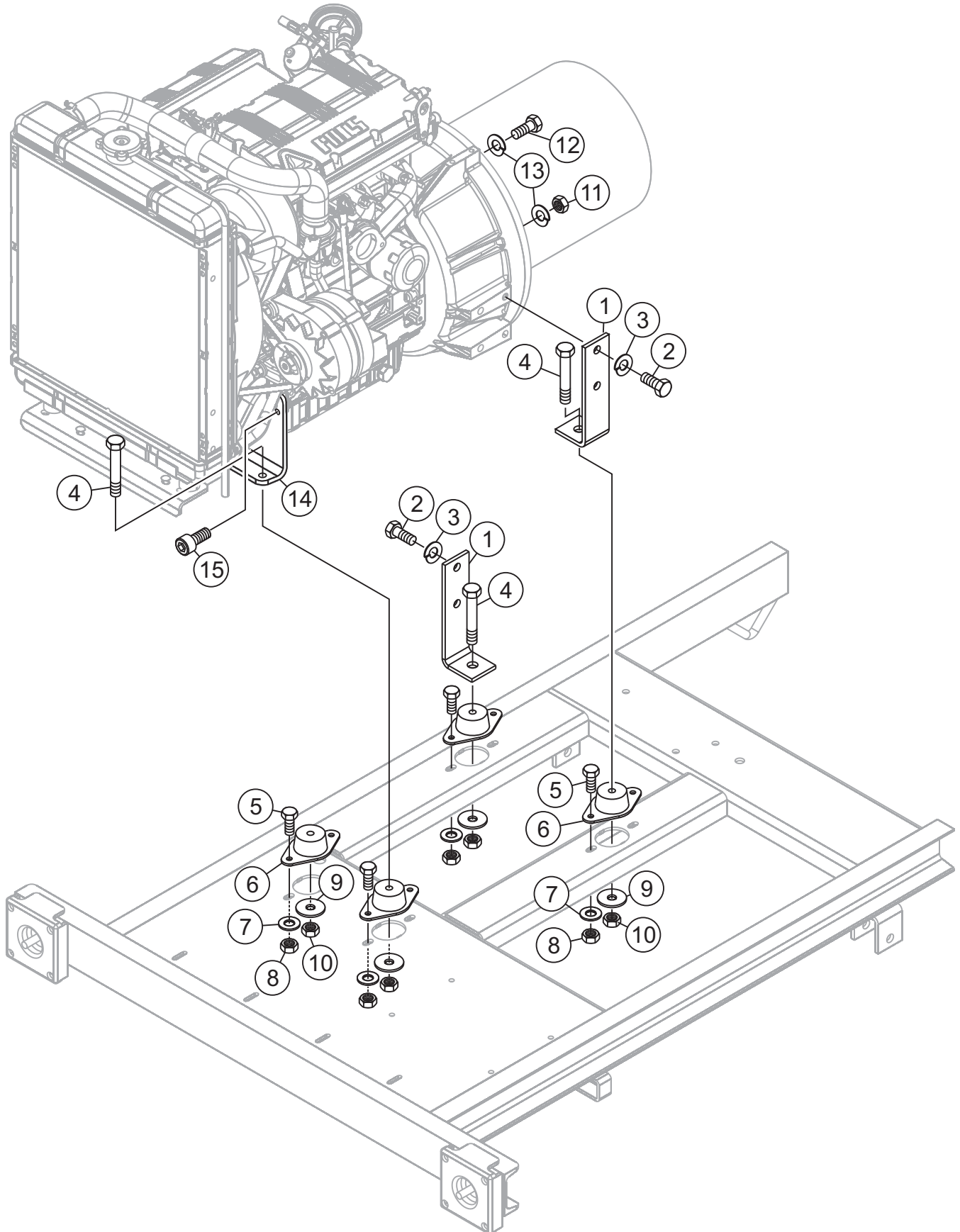
## NOTES

1 WHEN ORDERING EXHAUST PIPE, ITEM 11, ORDER TWO PIECES AND WELD.

## ENGINE ASSY.

<u>NO.</u>	<u>PART NO.</u>	<u>PART NAME</u>	<u>QTY.</u>	<u>REMARKS</u>
1	12850347	FUEL FILTER 2-3/4" L	1	
1	2175046	FUEL FILTER 4-3/4" L	1	
1	2175143S	FUEL FILTER W/WATER DRAIN	1	
2	2175107	OIL FILTER	1	
3	5840224	STARTER	1	
4	12850745	FAN BELT 875MM	1	
6	12851312	AIR FILTER	1	
7	12850362	LOWER RADIATOR HOSE	1	
8	12850649	UPPER RADIATOR HOSE	1	
9	5460450	MUFFLER	1	
10	10855	CLAMP, 1-1/2 MUFFLER	1	
11	29645	EXHAUST PIPE	2	
12	29937	BRACE, LOWER MUFFLER	1	
13	21584	BOLT M10-1.5P X 35MM	2	
14	0161 C	WASHER, LOCK 5/16 MED	2	
15	29938	SPACER, MUFFLER BRACKET, 3/8 X 3/4 X 5/8	2	
16	2299	BOLT, M8-1.25P X 16MM	1	
17	29644	ENGINE, LOMBARDINI LDW1003	1	
18	9000184	RADIATOR CAP	1	
19	7350270	RADIATOR	1	
20	12850742	ALTERNATOR	1	
21	2440338	TIMING BELT	1	
22	6585097	FUEL (FEED) PUMP	1	
23	1200087	GASKET, FUEL (FEED) PUMP)	1	
24	6584438	WATER PUMP	1	
25	4580083	GASKET, WATER PUMP	1	
26	6745056	OIL SWITCH	1	
27	9195124	THERMOSTAT	1	
28	12850153	GASKET, THERMOSTAT	1	
29	12850551	COOLING FAN	1	
30	29994	SHROUD, LT12 RADIATOR	1	
31	12464	SCREW, HHC M6-1.0 X 16MM	6	
32	367681	FITTING, STR 8MJ - M18MO	1	
33	35017	HOSE ASM, 19.9" #8LP w/ 370677	1	
34	366030	FITTING, PLUG 8MJ	1	
35	60124	GASKET, SPONGE BULB (FT)	5	

# GENERATOR/ENGINE MOUNTING ASSY.

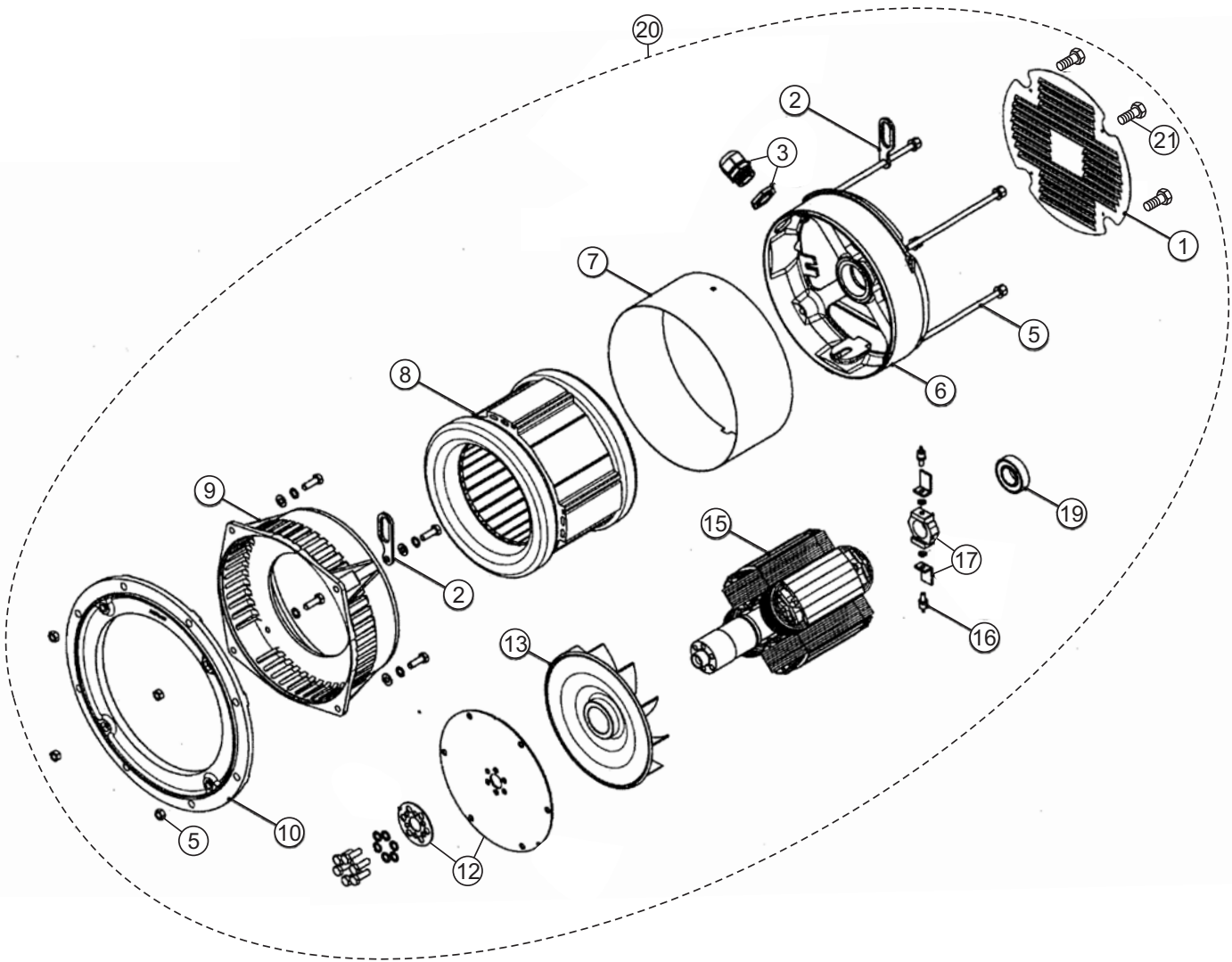




## GENERATOR/ENGINE MOUNTING ASSY.

<u>NO.</u>	<u>PART NO.</u>	<u>PART NAME</u>	<u>QTY.</u>	<u>REMARKS</u>
1	49003	MOUNT, REAR ENGINE	2	
2	17099	SCREW, HHC M12-1.75 X 20 ZN, DIN933	4	
3	5054 A	WASHER, LOCK 1/2 MED	4	
4	8156	SCREW, HHC 3/8-16 X 2 1/2	4	
5	0655	SCREW, HHC 5/16-18 X 3/4	8	
6	29269	MOUNT, VIBRATORY ENGINE	4	
7	19470	WASHER, FLAT 5/16 USS	8	
8	5283	NUT, NYLOC 5/16-18	8	
9	29043-001	WHEEL, POINTER .411IDx2.00OD C.SAW	4	
10	10133	NUT, NYLOC 3/8-16	4	
11	1456	NUT, HEX FINISH 3/8-16	6	
12	1023	SCREW, HHC 3/8-16 X 1 1/4 GR 5	8	
13	0166 A	WASHER, LOCK, 3/8 MED.	14	
14		MOUNT, FRONT ENGINE.....	1	SUPPLIED BY VENDOR
15		SCREW .....	2	SUPPLIED BY VENDOR

# GENERATOR ASSY.

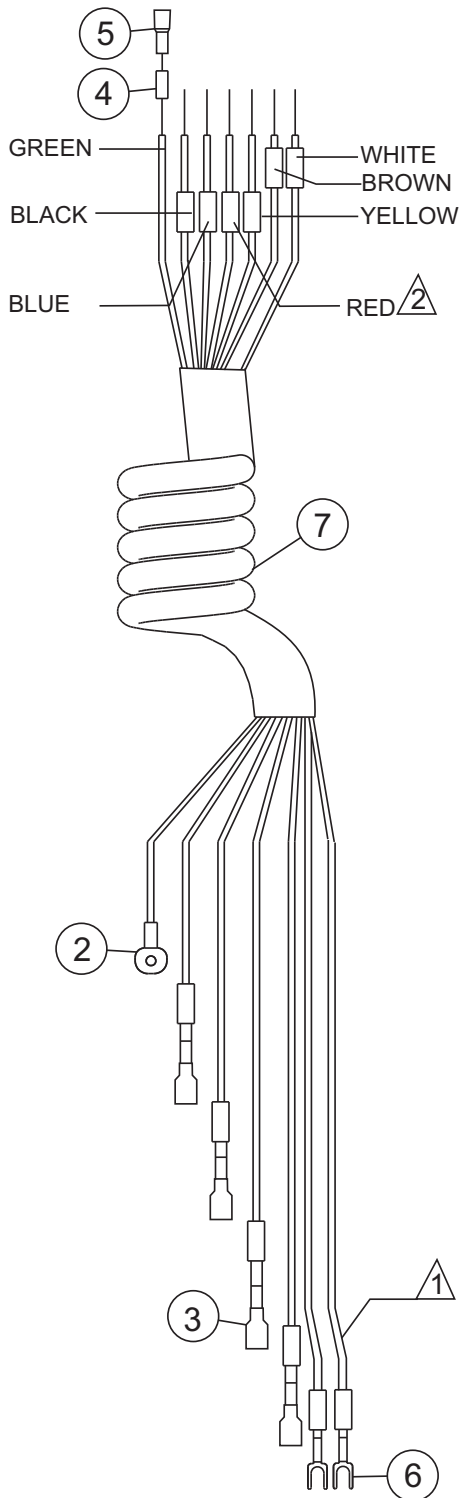


## GENERATOR ASSY.

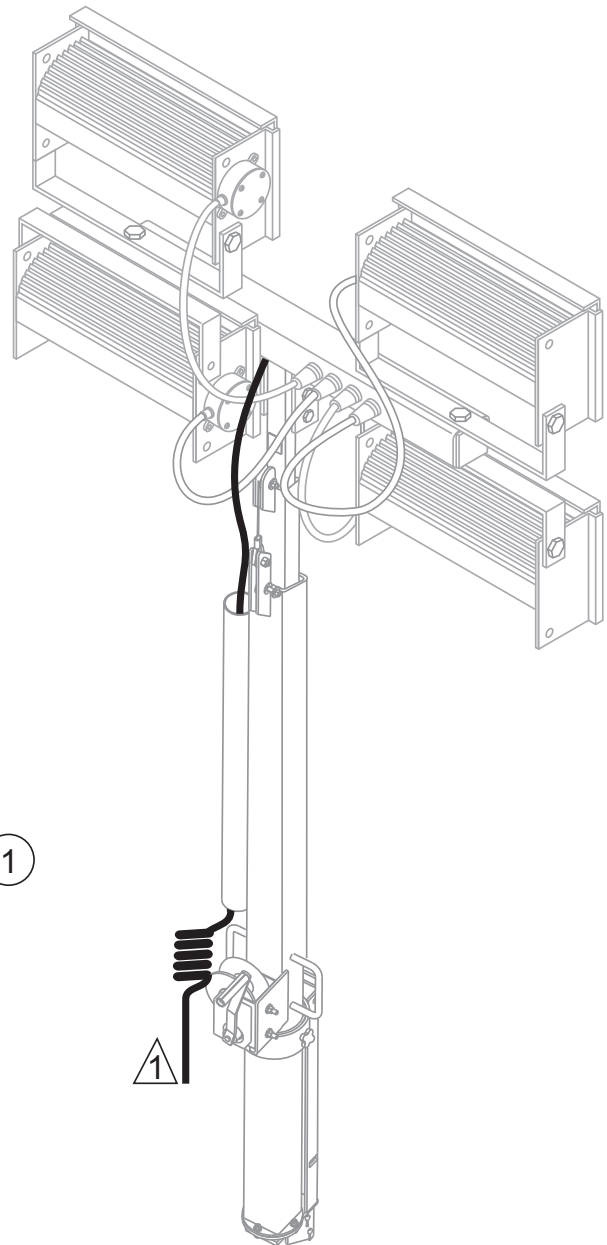
<u>NO.</u>	<u>PART NO.</u>	<u>PART NAME</u>	<u>QTY.</u>	<u>REMARKS</u>
1%	GELT3GRID	REAR SEAL	1	
2%	GELT3LIFTHK	LIFTING HOOK	2	
3%	GELT3CABLEGPG21	PG21 CABLE GLAND AND NUT	1	
5%	GELT3CSBOLTS	COVER STAY BOLT AND NUT	4	
6%	GELT3NDEBRACKET	NON-DRIVE END BRACKET	1	
7%	GELT3110ENCBAND	ENCLOSING BAND	1	
8%	GELT3110STATOR50	WOUND STATOR AND FRAME	1	
9%	GELT3DEBRACKET	DRIVE END BRACKET	1	
10%	6102208193	INTERCHANGEABLE FLANGE	1	
12%	GEECO3DISC65	FLEXIBLE DISC AND RING SPACER	1	
13%	GELT3FAN	FAN	1	
15%	GELT3110ROTOR50	ROTOR ASSY	1	
16%	GEDIO160026	DIODES	2	
17%	GELT3DIOHSINK	HEAT SINK/SUPPORT, ROTATING DIODE BRIDGE	2	
19%	GEBRG6205LL	REAR BEARING 6205-2RS	1	
20	49126	GENERATOR LT3-110/4, 50 HZ.....	1	.....INCLUDES ITEMS W/%
21%	29895SCREW	COVER SCREWS, SET OF 3	1	

# COIL CORD ASSY.

CONNECT TO T-BAR ASSEMBLY



CONNECT TO BALLAST  
BOX OUTPUT



## NOTES:

- ① CONNECT THIS END OF COIL CORD ASSY. TO BALLAST BOX. REFERENCE ELECTRICAL SCHEMATIC DIAGRAM IN OPERATION MANUAL.
- ② CONNECT THIS END OF COIL CORD ASSY. TO T-BAR ASSY. REFERENCE ELECTRICAL SCHEMATIC DIAGRAM IN OPERATION MANUAL.

**COIL CORD ASSY.**

---

<u>NO.</u>	<u>PART NO.</u>	<u>PART NAME</u>	<u>QTY.</u>	<u>REMARKS</u>
1	29433	COIL CORD ASSY.....	1.....	INCLUDES ITEMS W/#
2#	3254	TERMINAL, RING 16-14 3/8	1	
3#	11947	TERMINAL, FEM 16-14 PUSH-ON, INS	4	
4#	19687	CRIMP, SLEEVE (30-410)	7	
5#	19688	INSULATOR, SPLICE CAP (2007)	7	
6#	19957	TERMINAL, SPADE 16-14, #10 INS	2	
7#	49030	COIL CORD , 600V, 7-WIRE	1	

# TERMS AND CONDITIONS OF SALE — PARTS

## PAYMENT TERMS

Terms of payment for parts are net 30 days.

## FREIGHT POLICY

All parts orders will be shipped collect or prepaid with the charges added to the invoice. All shipments are F.O.B. point of origin. Multiquip's responsibility ceases when a signed manifest has been obtained from the carrier, and any claim for shortage or damage must be settled between the consignee and the carrier.

## MINIMUM ORDER

The minimum charge for orders from Multiquip is \$15.00 net. Customers will be asked for instructions regarding handling of orders not meeting this requirement.

## RETURNED GOODS POLICY

Return shipments will be accepted and credit will be allowed, subject to the following provisions:

1. A Returned Material Authorization must be approved by Multiquip prior to shipment.
2. To obtain a Return Material Authorization, a list must be provided to Multiquip Parts Sales that defines item numbers, quantities, and descriptions of the items to be returned.
  - a. The parts numbers and descriptions must match the current parts price list.
  - b. The list must be typed or computer generated.
  - c. The list must state the reason(s) for the return.
  - d. The list must reference the sales order(s) or invoice(s) under which the items were originally purchased.
  - e. The list must include the name and phone number of the person requesting the RMA.
3. A copy of the Return Material Authorization must accompany the return shipment.
4. Freight is at the sender's expense. All parts must be returned freight prepaid to Multiquip's designated receiving point.

5. Parts must be in new and resalable condition, in the original Multiquip package (if any), and with Multiquip part numbers clearly marked.
6. The following items are not returnable:
  - a. Obsolete parts. (If an item is in the price book and shows as being replaced by another item, it is obsolete.)
  - b. Any parts with a limited shelf life (such as gaskets, seals, "O" rings, and other rubber parts) that were purchased more than six months prior to the return date.
  - c. Any line item with an extended dealer net price of less than \$5.00.
  - d. Special order items.
  - e. Electrical components.
  - f. Paint, chemicals, and lubricants.
  - g. Decals and paper products.
  - h. Items purchased in kits.
7. The sender will be notified of any material received that is not acceptable.
8. Such material will be held for five working days from notification, pending instructions. If a reply is not received within five days, the material will be returned to the sender at his expense.
9. Credit on returned parts will be issued at dealer net price at time of the original purchase, less a 15% restocking charge.
10. In cases where an item is accepted, for which the original purchase document can not be determined, the price will be based on the list price that was effective twelve months prior to the RMA date.
11. Credit issued will be applied to future purchases only.

## PRICING AND REBATES

Prices are subject to change without prior notice. Price changes are effective on a specific date and all orders received on or after that date will be billed at the revised price. Rebates for price declines and added charges for price increases will not be made for stock on hand at the time of any price change.

Multiquip reserves the right to quote and sell direct to Government agencies, and to Original Equipment Manufacturer accounts who use our products as integral parts of their own products.

## SPECIAL EXPEDITING SERVICE

A \$35.00 surcharge will be added to the invoice for special handling including bus shipments, insured parcel post or in cases where Multiquip must personally deliver the parts to the carrier.

## LIMITATIONS OF SELLER'S LIABILITY

Multiquip shall not be liable hereunder for damages in excess of the purchase price of the item with respect to which damages are claimed, and in no event shall Multiquip be liable for loss of profit or good will or for any other special, consequential or incidental damages.

## LIMITATION OF WARRANTIES

No warranties, express or implied, are made in connection with the sale of parts or trade accessories nor as to any engine not manufactured by Multiquip. Such warranties made in connection with the sale of new, complete units are made exclusively by a statement of warranty packaged with such units, and Multiquip neither assumes nor authorizes any person to assume for it any other obligation or liability whatever in connection with the sale of its products. Apart from such written statement of warranty, there are no warranties, express, implied or statutory, which extend beyond the description of the products on the face hereof.

Effective: February 22, 2006



# PARTS MANUAL

## HERE'S HOW TO GET HELP

PLEASE HAVE THE MODEL AND SERIAL  
NUMBER ON-HAND WHEN CALLING

### UNITED STATES

#### ***Multiquip Corporate Office***

18910 Wilmington Ave.  
Carson, CA 90746  
Contact: mq@multiquip.com

Tel: (800) 421-1244  
Fax (800) 537-3927

#### ***MQ Parts Department***

800-427-1244 Fax: 800-672-7877  
310-537-3700 Fax: 310-637-3284

#### ***Mayco Parts***

800-306-2926  
310-537-3700

Fax: 800-672-7877  
Fax: 310-637-3284

#### ***Warranty Department***

800-421-1244, Ext. 279 Fax: 310-537-1173  
310-537-3700, Ext. 279

#### ***Service Department***

800-421-1244  
310-537-3700

Fax: 310-537-4259

#### ***Technical Assistance***

800-478-1244 Fax: 310-631-5032

### MEXICO

#### ***MQ Cipsa***

Carr. Fed. Mexico-Puebla KM 126.5  
Momoxpan, Cholula, Puebla 72760 Mexico  
Contact: pmastretta@cipsa.com.mx

Tel: (52) 222-225-9900  
Fax: (52) 222-285-0420

### UNITED KINGDOM

#### ***Multiquip (UK) Limited Head Office***

Hanover Mill, Fitzroy Street,  
Ashton-under-Lyne,  
Lancashire OL7 0TL  
Contact: sales@multiquip.co.uk

Tel: 0161 339 2223  
Fax: 0161 339 3226

### CANADA

#### ***Multiquip***

4110 Industriel Boul.  
Laval, Quebec, Canada H7L 6V3  
Contact: jmartin@multiquip.com

Tel: (450) 625-2244  
Tel: (877) 963-4411  
Fax: (450) 625-8664

© COPYRIGHT 2009, MULTIQUIP INC.

Multiquip Inc and the MQ logo are registered trademarks of Multiquip Inc. and may not be used, reproduced, or altered without written permission. All other trademarks are the property of their respective owners and used with permission.

This manual MUST accompany the equipment at all times. This manual is considered a permanent part of the equipment and should remain with the unit if resold.

The information and specifications included in this publication were in effect at the time of approval for printing. Illustrations, descriptions, references and technical data contained in this manual are for guidance only and may not be considered as binding. Multiquip Inc. reserves the right to discontinue or change specifications, design or the information published in this publication at any time without notice and without incurring any obligations.

Your Local Dealer is:





## Free Manuals Download Website

<http://myh66.com>

<http://usermanuals.us>

<http://www.somanuals.com>

<http://www.4manuals.cc>

<http://www.manual-lib.com>

<http://www.404manual.com>

<http://www.luxmanual.com>

<http://aubethermostatmanual.com>

Golf course search by state

<http://golfingnear.com>

Email search by domain

<http://emailbydomain.com>

Auto manuals search

<http://auto.somanuals.com>

TV manuals search

<http://tv.somanuals.com>