

# OPERATION AND PARTS MANUAL



***WHITEMAN* SERIES**  
**HPLA/HPHA-SERIES 36"**  
**WALK-BEHIND TROWEL**  
**(HONDA GX240K1QA2 GASOLINE ENGINE)**

Revision #3 (07/06/10)

To find the latest revision of this  
publication, visit our website at:  
[www.multiquip.com](http://www.multiquip.com)



**THIS MANUAL MUST ACCOMPANY THE EQUIPMENT AT ALL TIMES.**

**P/N 21362**



## **CALIFORNIA — Proposition 65 Warning**

Engine exhaust and some of its constituents, and some dust created by power sanding, sawing, grinding, drilling and other construction activities contains chemicals known to the State of California to cause cancer, birth defects and other reproductive harm. Some examples of these chemicals are:

- Lead from lead-based paints.
- Crystalline silica from bricks.
- Cement and other masonry products.
- Arsenic and chromium from chemically treated lumber.

Your risk from these exposures varies, depending on how often you do this type of work. To reduce your exposure to these chemicals: **ALWAYS** work in a well ventilated area, and work with approved safety equipment, such as dust masks that are specially designed to filter out microscopic particles.



# HPLA/HPHA-SERIES 36" TROWEL—TABLE OF CONTENTS

Here's How To Get Help .....	3
Table Of Contents .....	4
Parts Ordering Procedures .....	5
Training Checklist .....	6
Daily Pre-Operation Checklist .....	7
Safety Message Alert Symbols .....	8-9
Rules For Safe Operation .....	10-11
Operation And Safety Decals .....	12
Specifications (Trowel) .....	13
Specifications (Engine) .....	14
General Information .....	15

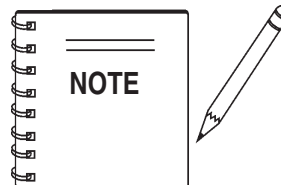
## MQ WHITEMAN — HPLA/HPHA SERIES 36" TROWEL

Controls and Components .....	16-17
Basic Engine .....	18
Assembly and Installation .....	19-21
Pre-Inspection .....	22-23
Initial Start-Up .....	24-25
Operation .....	26-27
Options .....	28-29
Maintenance (Engine) .....	30-34
Maintenance (Trowel) .....	32-36
Troubleshooting (Trowel) .....	37-38
Troubleshooting (Engine) .....	39
Explanation of Codes .....	40
Suggested Spare Parts .....	41
Nameplate and Decals .....	42-43
Standard Handle Assembly .....	44-45
Quick Pitch™ Handle Assembly .....	46-49
4-Blade Spider Assembly .....	50-51
Gearbox & Engine Mounts Assembly .....	52-55
Engine Assembly .....	56-57
Guard Ring Assembly .....	58-59
Blades and Arm Adj. Fixture Assembly .....	60-61
Lifting Bail Assembly (Option) .....	62-63

## HONDA GX240K1QA2ENGINE

Air Cleaner Assssembly .....	64-65
Camshaft Assssembly .....	66-67
Carburetor Assssembly .....	68-69
Control Assssembly .....	70-71
Crankcase Cover Assssembly .....	72-73
Crankshaft Assssembly .....	74-75
Cylinder Barrel Assssembly .....	76-77
Cylinder Head Assssembly .....	78-79
Fan Cover Assssembly .....	80-81
Flywheel Assssembly .....	82-83
Fuel Tank Assssembly .....	84-85
Ignition Coil Assssembly .....	86-87
Muffler Assssembly .....	88-89
Piston Assssembly .....	90-91
Recoil Starter Assssembly .....	92-93
Engine Labels .....	94-95

Terms and Conditions of Sale — Parts .....	96
--------------------------------------------	----



**Specification and part number  
are subject to change without  
notice.**

# HPLA/HPHA-SERIES 36" TROWEL— PARTS ORDERING PROCEDURES

www.multiquip.com



## Ordering parts has never been easier! Choose from three easy options:

Effective:  
January 1<sup>st</sup>, 2006



### Order via Internet (Dealers Only):

Order parts on-line using Multiquip's SmartEquip website!

- View Parts Diagrams
- Order Parts
- Print Specification Information



If you have an MQ Account, to obtain a Username and Password, E-mail us at: [parts@multiquip.com](mailto:parts@multiquip.com).

To obtain an MQ Account, contact your District Sales Manager for more information.

Goto [www.multiquip.com](http://www.multiquip.com) and click on **Order Parts** to log in and save!

Use the **internet** and qualify for a **5% Discount** on *Standard orders* for all orders which include complete part numbers.\*

Note: Discounts Are Subject To Change



### Order via Fax (Dealers Only):

All customers are welcome to order parts via Fax.

**Domestic (US) Customers dial:**  
1-800-6-PARTS-7 (800-672-7877)

**Fax** your order in and qualify for a **2% Discount** on *Standard orders* for all orders which include complete part numbers.\*

Note: Discounts Are Subject To Change



**Order via Phone: Domestic (US) Dealers Call:**  
1-800-427-1244

### Non-Dealer Customers:

Contact your local Multiquip Dealer for parts or call 800-427-1244 for help in locating a dealer near you.



**International Customers** should contact their local Multiquip Representatives for Parts Ordering information.

## When ordering parts, please supply:

- |                                                                               |                                                                                        |
|-------------------------------------------------------------------------------|----------------------------------------------------------------------------------------|
| <input type="checkbox"/> Dealer Account Number                                | <input type="checkbox"/> Specify Preferred Method of Shipment:                         |
| <input type="checkbox"/> Dealer Name and Address                              | <input checked="" type="checkbox"/> UPS/Fed Ex <input checked="" type="checkbox"/> DHL |
| <input type="checkbox"/> Shipping Address (if different than billing address) | <input type="checkbox"/> Priority One <input checked="" type="checkbox"/> Truck        |
| <input type="checkbox"/> Return Fax Number                                    | <input type="checkbox"/> Ground                                                        |
| <input type="checkbox"/> Applicable Model Number                              | <input type="checkbox"/> Next Day                                                      |
| <input type="checkbox"/> Quantity, Part Number and Description of Each Part   | <input type="checkbox"/> Second/Third Day                                              |

### NOTICE

All orders are treated as *Standard Orders* and will ship the same day if received prior to 3PM PST.

WE ACCEPT ALL MAJOR CREDIT CARDS!



# HPLA/HPHA-SERIES 36" TROWEL—TRAINING CHECKLIST

## TRAINING CHECKLIST

This checklist will lists some of the minimum requirements for machine maintenance and operation. Please feel free to detach it and make copies. Use this checklist whenever a new operator is to be trained or it can be used as a review for more experienced operator's.

TRAINING CHECKLIST			
NO.	DESCRIPTION	OK?	DATE
1	Read Operator's Manual completely.		
2	Machine layout, location of components, checking of engine and gearbox fluid level.		
3	Fuel system, refueling procedure.		
4	Operation of controls (machine not running).		
5	Safety controls, safety stop switch operation.		
6	Emergency stop procedures.		
7	Startup of machine.		
8	Maneuvering.		
9	Pitching.		
10	Concrete finishing techniques.		
11	Shutdown of machine.		
12	Lifting of machine.		
13	Machine transport and storage.		

Operator \_\_\_\_\_ Trainee \_\_\_\_\_

COMMENTS:

# HPLA/HPHA-SERIES 36" TROWEL— DAILY PRE-OPERATION CHECKLIST

## DAILY PRE-OPERATION CHECKLIST

DAILY PRE-OPERATION CHECKLIST	
1	Engine Oil Level.
2	Gearbox Fluid Level.
3	Condition of Blades.
4	Blade Pitch Operation.
5	Safety Stop Switch Operation.
6	V-Belt Clutch Operation.

COMMENTS:

# HPLA/HPHA-SERIES 36" TROWEL- SAFETY MESSAGE ALERT SYMBOLS

## FOR YOUR SAFETY AND THE SAFETY OF OTHERS!

Safety precautions should be followed at all times when operating this equipment. Failure to read and understand the Safety Messages and Operating Instructions could result in injury to yourself and others.

### NOTE

This Owner's Manual has been developed to provide complete instructions for the safe and efficient operation of the MultiQuip HPLA/HPHA-SERIES 36" WALK-BEHIND TROWEL. For engine maintenance information, please refer to the engine manufacturers instructions for data relative to its safe operation.

**Before using this WALK-BEHIND TROWEL, ensure that the operating individual has read and understands all instructions in this manual.**

## SAFETY MESSAGE ALERT SYMBOLS

The three (3) Safety Messages shown below will inform you about potential hazards that could injure you or others. The Safety Messages specifically address the level of exposure to the operator, and are preceded by one of three words: **DANGER**, **WARNING**, or **CAUTION**.



**DANGER:** You **WILL** be **KILLED** or **SERIOUSLY** injured if you **DO NOT** follow directions.



**WARNING:** You **CAN** be **KILLED** or **SERIOUSLY** injured if you **DO NOT** follow directions.



**CAUTION:** You **CAN** be injured if you **DO NOT** follow directions.

Potential hazards associated with HPLA/HPHA-SERIES 36" Trowel operation will be referenced with "**Hazard Symbols**" which appear throughout this manual, and will be referenced in conjunction with Safety "**Message Alert Symbols**".

## HAZARD SYMBOLS



### Lethal Exhaust Gases



Engine exhaust gases contain poisonous carbon monoxide. This gas is colorless and odorless, and can cause death if inhaled. **NEVER** operate this equipment in a confined area or enclosed structure that does not provide ample free flow air.



### Explosive Fuel



Gasoline is extremely flammable, and its vapors can cause an explosion if ignited. **DO NOT** start the engine near spilled fuel or combustible fluids. **DO NOT** fill the fuel tank while the engine is running or hot. **DO NOT** overfill tank, since spilled fuel could ignite if it comes into contact with hot engine parts or sparks from the ignition system. Store fuel in approved containers, in well-ventilated areas and away from sparks and flames. **NEVER** use fuel as a cleaning agent.



### Burn Hazards



Engine components can generate extreme heat. To prevent burns, **DO NOT** touch these areas while the engine is running or immediately after operations. **NEVER** operate the engine with heat shields or heat guards removed.



### Rotating Parts



**NEVER** operate equipment with covers, or guards removed. Keep **fingers, hands, hair** and **clothing** away from all moving parts to prevent injury.



# HPLA/HPHA-SERIES 36" TROWEL- SAFETY MESSAGE ALERT SYMBOLS



## Accidental Starting



OFF

**ALWAYS** place the engine ON/OFF switch in the **OFF** position, when the trowel is not in use.



## Respiratory Hazard



**ALWAYS** wear approved respiratory protection.



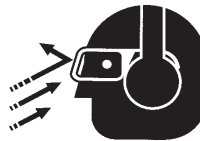
## Over Speed Conditions



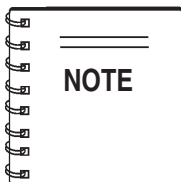
**NEVER** tamper with the factory settings of the engine governor or settings. Personal injury and damage to the engine or equipment can result if operating in speed ranges above maximum allowable.



## Sight and Hearing hazard



**ALWAYS** wear approved eye and hearing protection.



This **walk-behind trowel**, other property, or the surrounding environment could be damaged if you do not follow instructions.



## Equipment Damage Messages

Other important messages are provided throughout this manual to help prevent damage to your trowel, other property, or the surrounding environment.

# HPLA/HPHA-SERIES 36" TROWEL— RULES FOR SAFE OPERATION

## CAUTION:



Failure to follow instructions in this manual may lead to serious injury or even death! This equipment is to be operated by trained and qualified personnel only! This equipment is for industrial use only.

The following safety guidelines should always be used when operating the HPLA/HPHA-SERIES 36" walk-behind trowel.

## SAFETY

- **DO NOT** operate or service this equipment before reading this entire manual.



- This equipment should not be operated by persons under 18 years of age.
- **NEVER** operate the trowel without proper protective clothing, shatterproof glasses, steel-toed boots and other protective devices required by the job.



- **NEVER** operate this equipment when not feeling well due to fatigue, illness or taking medicine.

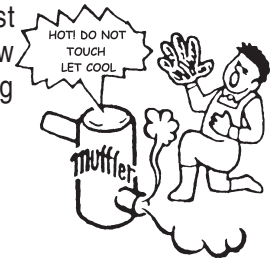


- **NEVER** operate the trowel under the influence of drugs or alcohol.



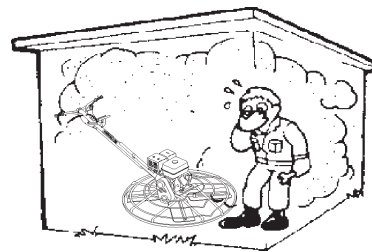
- **NEVER** use accessories or attachments, which are not recommended by Multiquip for this equipment. Damage to the equipment and/or injury to user may result.
- Manufacturer does not assume responsibility for any accident due to equipment modifications.
- Whenever necessary, replace nameplate, operation and safety decals when they become difficult read.
- **ALWAYS** check the trowel for loosened threads or bolts before starting.

- **NEVER** touch the hot exhaust manifold, muffler or cylinder. Allow these parts to cool before servicing the trowel.



- **High Temperatures** – Allow the engine to cool before adding fuel or performing service and maintenance functions. Contact with **hot!** components can cause serious burns.

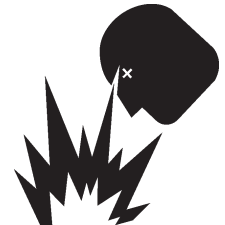
- The engine of this trowel requires an adequate free flow of cooling air. **NEVER** operate the trowel (except electric models)



in any enclosed or narrow area where free flow of the air is restricted. If the air flow is restricted it will cause serious damage to the trowel's engine and may cause injury to people. Remember the trowel's engine gives off **DEADLY** carbon monoxide gas.

- **ALWAYS** refuel in a well-ventilated area, away from sparks and open flames.

- **ALWAYS** use extreme caution when working with **flammable** liquids. When refueling, **stop the engine** and allow it to cool.



- **NEVER** smoke around or near the machine. Fire or explosion could result from **fuel vapors**, or if fuel is spilled on a **hot!** engine.



- **NEVER** operate the trowel in an explosive atmosphere or near combustible materials. An explosion or fire could result causing severe **bodily harm or even death**.

- Topping-off to filler port is dangerous, as it tends to spill fuel.

# HPLA/HPHA-SERIES 36" TROWEL— RULES FOR SAFE OPERATION

- **DO NOT** operate this trowel unless all guards and safety devices are attached and in place. See pages 16 and 17.
- **ALWAYS** use proper lifting techniques when moving the trowel. See page 24.
- **ALWAYS** check to make sure that the operating area is clear before starting the engine.
- **ALWAYS** test the safety **stop switch** devices before operating the trowel.
- **NEVER** place your **feet** or **hands** inside the guard rings while starting or operating this equipment.
- **AVOID** wearing jewelry or loose fitting clothing that may snag on the controls or moving parts, this can cause a serious injury.
- **ALWAYS** keep clear of **rotating** or **moving parts** while operating the trowel.
- **NEVER** leave the machine **unattended** while running.
- **Moving Parts** – Shut down the engine before performing service or maintenance functions. Contact with moving parts can cause serious injury.
- Keep the trowel in proper running condition.
- Make sure that there is no buildup of concrete, grease, oil or debris on the trowel.
- Fix damage to the trowel immediately and always replace broken parts.
- Dispose of hazardous waste properly. Examples of potentially hazardous waste are used **motor oil**, **fuel** and **fuel filters**.
- **High Temperatures** – Allow the machine and engine to **cool** before adding fuel or performing service and maintenance functions. Contact with **hot!** components can cause serious burns.

## Maintenance Safety

- Disconnect the spark plug wires before attempting any type of service.
- Securely support any machine components that must be raised.
- **NEVER** lubricate components or attempt service on a running machine.
- **DO NOT** use food or plastic containers to dispose of hazardous waste.
- **DO NOT** pour **waste**, **oil** or **fuel** directly onto the ground, down a drain or into any water source.

## CAUTION

### EMERGENCIES

- **ALWAYS** know the location of the nearest **fire extinguisher**.



- **ALWAYS** know the location of the nearest and **first aid kit**.



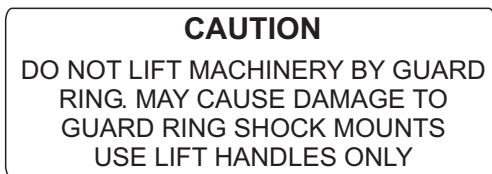
- In emergencies **always** know the location of the nearest phone or **keep a phone on the job site**. Also know the phone numbers of the nearest **ambulance**, **doctor** and **fire department**. This information will be invaluable in the case of an emergency.



# HPLA/HPHA-SERIES 36" TROWEL— OPERATION AND SAFETY DECALS

## Machine Safety Decals

The HPLA/HPHA-SERIES 36" walk-behind trowel is equipped with a number of safety decals. These decals are provided for operator safety and maintenance information. Figure 1 below illustrates these decals as they appear on the machine. Should any of these decals become unreadable, replacements can be obtained from your dealer.



P/N 1261



P/N 20526



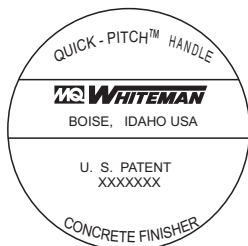
P/N 1940



P/N 20527



P/N 1736



P/N 1758



P/N 12405



P/N 1492



P/N 1848



P/N 1735



P/N 2938



P/N1499

	Symbol indicates that it is mandatory to wear safety glasses, safety helmet and ear protection. <b>P/N 11247 (Part of decal kit 12620)</b>		CONTACT MULTIQUIP SERVICE DEPT.
	Symbol indicates that it is mandatory to wear gloves. <b>P/N 11247 (Part of decal kit 12620)</b>		Symbol indicates that it is mandatory to wear safety shoes, with extra protection (steel toed). <b>P/N 11247 (Part of decal kit 12620)</b>
	Radiating heat symbol. Symbol indicates equipment is hot. <b>P/N 11246 (Part of decal kit 12620)</b>		This is the symbol for belt drive. <b>P/N 11246 (Part of decal kit 12620)</b>
	Symbol for examining or checking of the machine. Mostly used for maintenance. Check lubrication oil in gearbox. <b>P/N 11246 (Part of decal kit 12620)</b>		This is the symbol for gear drive. <b>P/N 11246 (Part of decal kit 12620)</b>

Figure 1. HPLA/HPHA-SERIES 36" Trowel Decals

# HPLA/HPHA-SERIES 36" TROWEL— SPECIFICATIONS (TROWEL)

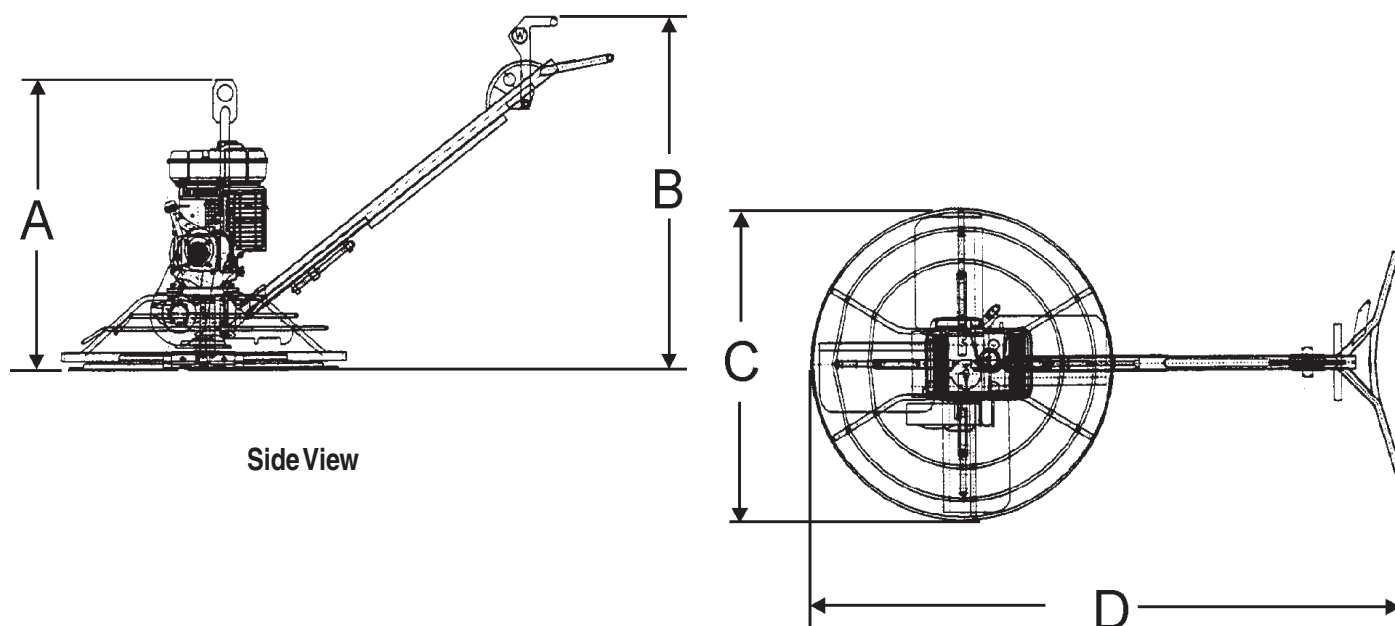


Figure 2. HPLA/HPHA-SERIES 36" Trowel Dimensions

Table 1. HPLA/HPHA-Series 36" Trowel Specifications	
A- Height (Lifting Hook)	36.7 in (931.6 mm)
B- Height Engagement Lever)	41.4 in (1,044.2 mm)
C-Width	36.5 (927.1 mm)
D-Length	70.5 (1,789.4 mm)
Weight – Operating	174 lbs./79.1 Kg.
Sound Pressure	94 db
Vibration	2.0g (19.6 m/s <sup>2</sup> )
Ring Diameter	36.5 in (92.7 cm)
Number of Blades	4
Blade Tip Speed – FPM (m/s)	1,182 fpm (6.0 m/s)
Rotor – RPM (Gasoline)	100 rpm
Path Width – in. (cm)	36 in. (91.4)

## NOTE:

1. Sound pressure is a weighted measure. Measured at the operators ear position while the walk-behind trowel is operating at full throttle on concrete in a manner most often experienced in "**normal**" circumstances. Sound pressure may vary depending upon the condition of the concrete. Hearing protection is always recommended.
2. The vibration level indicated is the maximum RMS (Root Mean Square) value obtained at the handle grip while operating the walk-behind trowel on curing concrete in a manner most often experienced in "**normal**" circumstances. Values were obtained from all three axes of motion. The values shown represent the maximum RMS value from these measurements.

## Table 2. Specifications (Engine)

Model	HONDA GX240K1QA2
Type	Air-cooled 4 stroke, Single Cylinder, OHV, Horizontal Shaft Gasoline Engine
Bore X Stroke	2.9 in. x 2.3 in. (73 mm x 58 mm)
Displacement	14.81 cu-in. (242cc)
Max Output	8.0 H.P./3600 R.P.M.
Fuel Tank Capacity	1.59 U.S. gal. (6 liters)
Fuel	Unleaded Automobile Gasoline
Lube Oil Capacity	1.16 U.S. qt. (1.1 liters)
Speed Control Method	Centrifugal Fly-weight Type
Starting Method	Recoil Start
Dimension (L x W x H)	14.0 x 16.9 x 16.1 in. (355 x 430 x 410 mm)
Dry Net Weight	55.1 lbs. (25 Kg)

# HPLA/HPHA-SERIES 36" TROWEL—GENERAL INFORMATION

## HPLA/HPHA-SERIES 36" Walk-Behind Trowel Familiarization

This walk-behind trowel is designed for the **floating** and **finishing** of concrete slabs.

Take a walk around the trowel. Take notice of all the major components (see Figure 3, pages 16 and 17) like the engine, blades, quick pitch control, air cleaner, centrifugal stop switch etc. Check that there is always oil in the engine.

**Read** all the safety instructions carefully. Safety instructions will be found throughout this manual and on the trowel. Keep all safety information in good, readable condition. Operators should be well trained on the operation and maintenance of the trowel.

Before using your trowel, test it on a flat watered down section of finished concrete that is free of any debris and other objects.

This trial test run will increase your confidence in using the trowel and at the same time it will familiarize you with the trowel's controls. In addition you will understand how the trowel handles under actual conditions.

## Engines

This trowel is available with an 8.0 HP **HONDA** gasoline engine. Refer to the engine owner's manual for instructions regarding the operation and maintenance of your engine. The engine manual is included with your trowel at the time of shipment from Whiteman. Please contact your nearest Multiquip Dealer for a replacement should the original manual disappear.

## Drive System

Power is transferred from the engine to the gearbox input shaft via a V-belt or pulley drive system. The pulley engages using a centrifugal clutch.

## Gearbox

The **gearbox** is located beneath the engine and transfers power to the **rotor** or **spider** assembly. The gearbox controls the rotational speed of the trowel and is equipped with two shafts (input and output).

## Spider

The vertical output shaft of the gearbox connects to a cast hub called the **spider**. The spider has 4 arms that extend outward that are used for attachment of blades or other accessories. Remember as the gearbox output shaft rotates so does the spider assembly.

## Blades

The blades of the trowel finish the concrete as they are rotated around the surface. Blades are classified as **combination** (8 inches wide), **float** (10 or 8 inches wide), and **finish** (6 inches wide). This trowel comes equipped with either **three** or four **blades** per rotor equally spaced in a radial pattern and attached to vertical rotating shaft by means of a **spider assembly**.

## Centrifugal Stop Switch

In the event of a trowel runaway condition (operator releases the handle), a **centrifugal stop switch** will stop the engine and bring the trowel to a halt.

## CAUTION



**NEVER** attempt to **lift** the trowel by yourself. **ALWAYS** get the assistance of another person to help lift the trowel or use a crane or lifting device to move the trowel.

## Moving the HPLA/HPHA-SERIES 36" Walk-Behind Trowel

This walk-behind trowel is designed to be moved and handled in several ways. The easiest way to lift the trowel is to use the **auxiliary lifting tube** that is attached to the main handle. See page 24. When using the auxiliary tube, always use **two persons** to lift the trowel.

Some models have a **lifting bail** (option) installed. A strap or chain can be attached to the lifting bail, allowing a forklift or crane to lift the trowel up onto a slab of concrete. Use a lifting device of adequate lifting capacity to lift the trowel.

## Training

For proper training, please use the "**TRAINING CHECKLIST**" located in the front of this manual (Page 6). This checklist will provide an outline for an experienced operator to provide training to a new operator.

# HPLA/HPHA-SERIES 36" TROWEL— CONTROLS AND COMPONENTS

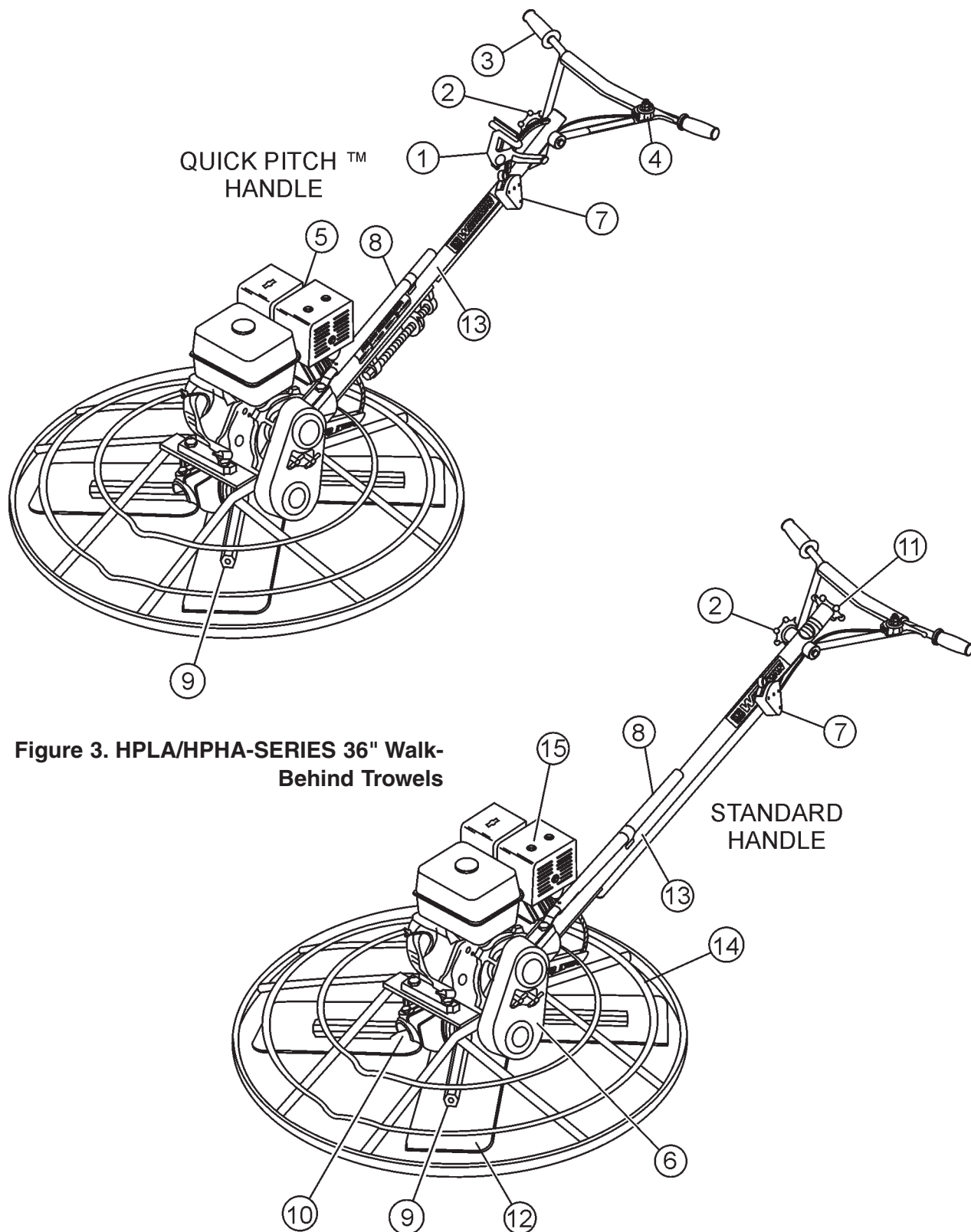


Figure 3. HPLA/HPHA-SERIES 36" Walk-Behind Trowels



# HPLA/HPHA-SERIES 36" TROWEL— CONTROLS AND COMPONENTS

(Figures 3) shows the location of the basic controls or components, for the HPLA/HPHA-SERIES 36" trowel. Listed below is a brief explanation of each control or component

1. **Quick Pitch™ Control Handle** – To adjust the pitch of the blades, grasp the handle then squeeze and either move the handle forward or backward to achieve the desired blade pitch.
2. **Handlebar Adjuster** – Change the angle/height of the handle bars by loosening star wheel, adjust handlebars to desired location, tighten starwheel firmly to hold handlebars in that position.
3. **Hand Grip/Handle Bar** – When operating the trowel, place both hands on each grip to maneuver the trowel. Replace hand grips when they become worn or damaged.
4. **Throttle Control Lever** – Controls the speed of the engine. Pull the hand grip toward the operator to increase engine speed (high), away from the operator to decrease engine speed (low or idle).
5. **Throttle (Engine)** – Controls engine speed when throttle control lever is pulled toward the operator.
6. **V-Belt Cover** – Remove this cover to gain access to the V-belt. **NEVER** operate the trowel with this cover removed.
7. **Centrifugal Safety Stop Switch** – In the event the operator loses control of the trowel, this switch will shut-down the engine.
8. **Auxiliary Lifting Tube** - Use this tube to lift the trowel onto a slab. Tube is to be inserted into socket located in front of the gearbox.
9. **Trowel Arm** – **NEVER** operate the trowel with a bent, broken or out of adjustment trowel arm. If the blades show uneven wear patterns or some blades wear out faster than others, the trowel arm may need to be adjusted. Use the trowel arm adjustment tool P/N 1817 to adjust the trowel arms.
10. **Trowel Lifting Point** – Insert the auxiliary lifting tube here. See page 24.
11. **Pitch Control (standard models)** - Turn this "Star Wheel" clockwise for increase blade pitch, and counter-clockwise for decrease blade pitch.
12. **Blades** – This trowel is equipped with combination blades. These blades are versatile and should take care of most troweling needs. In addition float discs can be attached to the trowel arms that will allow the trowel to float on "wet" concrete.
13. **Main Tube** - When disassembling components inside the tube exercise extreme **CAUTION!** Tube is spring-loaded, severe injury could result if not disassembled correctly.
14. **Guard Ring** – **NEVER** put hands or feet inside guard ring.
15. **Engine** – This trowel uses an 8HP Honda gasoline engine.

# HPLA/HPHA-SERIES 36" TROWEL— BASIC ENGINE

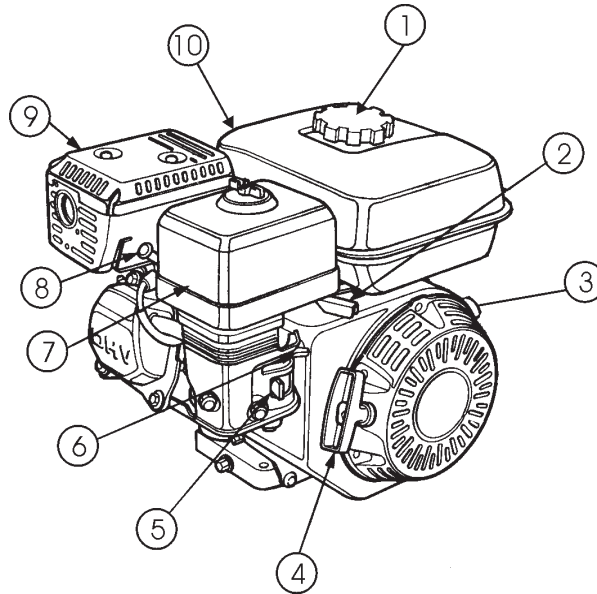


Figure 4. Engine Controls and Components

## INITIAL SERVICING

The engine (Figure 4) must be checked for proper lubrication and filled with fuel prior to operation. Refer to the manufacturers engine manual for instructions & details of operation and servicing.

1. **Fuel Filler Cap** – Remove this cap to add unleaded gasoline to the fuel tank. Make sure cap is tightened securely. **DO NOT** over fill.

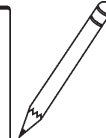
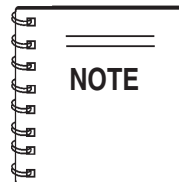


**DANGER**

Adding fuel to the tank should be done only when the engine is stopped and has had an opportunity to cool down. In the event of a fuel spill, **DO NOT** attempt to start the engine until the fuel residue has been completely wiped up, and the area surrounding the engine is dry.

2. **Throttle Lever** – Used to adjust engine RPM speed (lever advanced forward **SLOW**, lever back toward operator **FAST**).
3. **Engine ON/OFF Switch** – ON position permits engine starting, OFF position stops engine operations.
4. **Recoil Starter (pull rope)** – Manual-starting method. Pull the starter grip until resistance is felt, then pull briskly and smoothly.
5. **Fuel Valve Lever** – **OPEN** to let fuel flow, **CLOSE** to stop the flow of fuel.

6. **Choke Lever** – Used in the starting of a cold engine, or in cold weather conditions. The choke enriches the fuel mixture.
7. **Air Cleaner** – Prevents dirt and other debris from entering the fuel system. Remove wing-nut on top of air filter cannister to gain access to filter element.



Operating the engine without an air filter, with a damaged air filter, or a filter in need of replacement will allow dirt to enter the engine, causing rapid engine wear.

8. **Spark Plug** – Provides spark to the ignition system. Set spark plug gap to 0.7 - 0.8 mm (0.028 - 0.031 inch) Clean spark plug once a month. (More often depending on use.)
9. **Muffler** – Used to reduce noise and emissions.



**WARNING**

Engine components can generate extreme heat. To prevent burns, **DO NOT** touch these areas while the engine is running or immediately after operating. **NEVER** operate the engine with the muffler removed.

10. **Fuel Tank** – Holds unleaded gasoline. For additional information refer to engine owner's manual.

# HPLA/HPHA-SERIES 36" TROWEL — ASSEMBLY AND INSTALLATION

## Assembly and Installation

Before the trowel can be put into operation there are some components that must be installed before the trowel can be used. This section provided general instructions on how to install those components. Instruction sheet P/N 20485 provides further details for the handle assembly.

### Handle Tube Installation (All Models)

1. Install the **handle tube** to the gearbox as shown in (Figure 5). The mounting hardware should be contained in the shipping container.

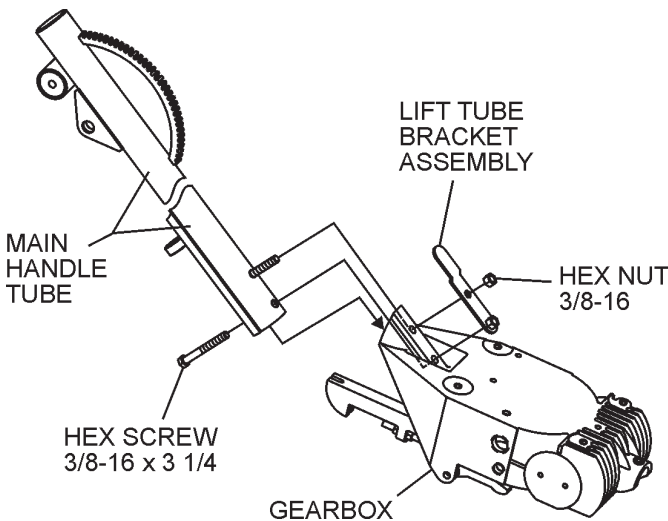


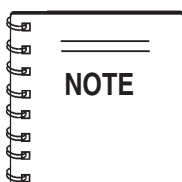
Figure 5. Handle Tube Installation

2. On Quick-Pitch™ models, pivot the T-handle back (full pitch). See Figure 6. This will relax the spring inside the handle tube. On either model, spread the handle bar ends just enough to engage the teeth on the handle tube. Attach the hand wheel assembly, position handlebar to desired location, and tighten hand wheel firmly.

## CAUTION



The Quick-Pitch™ handle is spring loaded, personal injury or damage could result from improper handling or installation. Be careful when installing this component.



Considerable force may be required when moving the Quick-Pitch™ **T-handle** forward or backward.

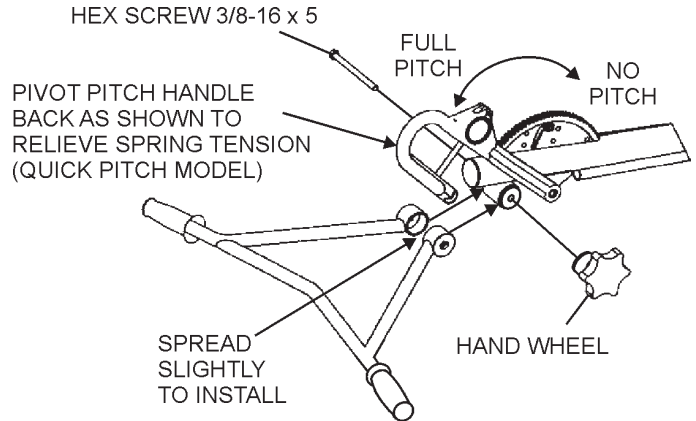


Figure 6. Handlebar Installation

### Throttle Cable Installation

1. Place the throttle lever (Figure 7) to the idle position.

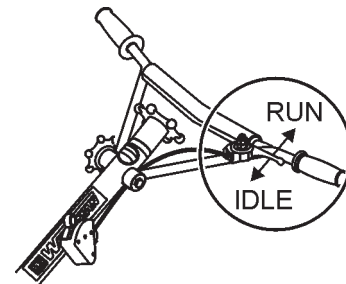


Figure 7. Throttle

2. Feed the throttle cable through the cable housing.
3. Connect the throttle cable to the engine. (Figure 8). There should be a piece of wire installed on the trowel to show where to route the throttle cable. When connecting the cable housing, make sure that no more than **1/4" (6.4mm)** of the cable housing protrudes past the housing clamp on the engine.

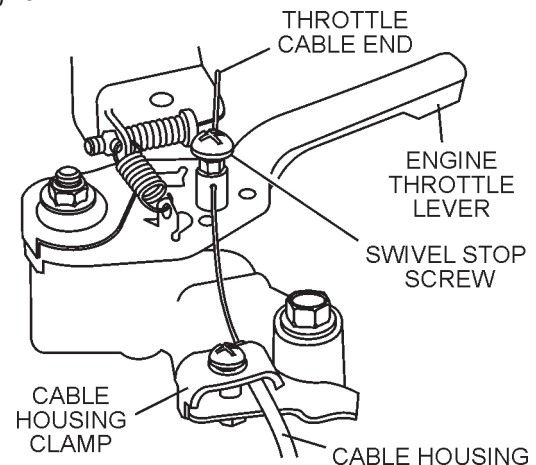


Figure 8. Throttle Cable Connection

# HPLA/HPHA-SERIES 36" TROWEL — ASSEMBLY AND INSTALLATION

4. Tighten cable clamp screw and swivel stop screw.
5. After the cable has been installed on the engine, adjust and tighten operator position of the handle to lock the throttle cable at the proper length.
6. Adjust cable tension loosening the lock nut on the throttle cable receiver (Figure 9), loosening or tightening the adjuster nut below it, then retightening the lock nut.

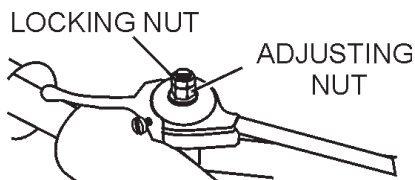


Figure 9. Throttle Adjust

7. These are general instructions. Installation of the throttle cable may vary for different engine configurations. Please look for more detailed instructions inside the box containing the handle. These more detailed instructions should provide adequate guidance for installing.

## Handle Height Adjustment

If handle height adjustment is desired, a handle wedge kit can be purchased for your trowel by ordering P/N 2576 from your Multiquip dealer. These wedges are placed between the handle and the gearbox to adjust the operating height of the handle. This kit comes complete with wedges, new bolts and installation instructions. This will move your operating handle position up or down approximately 3" (76mm).

## Safety Stop Switch Wire

Locate the **safety stop switch wire** protruding from the handle tube (Figure 10) and connect it to the **tail wire** on the engine. Test the safety stop switch to insure proper operation.

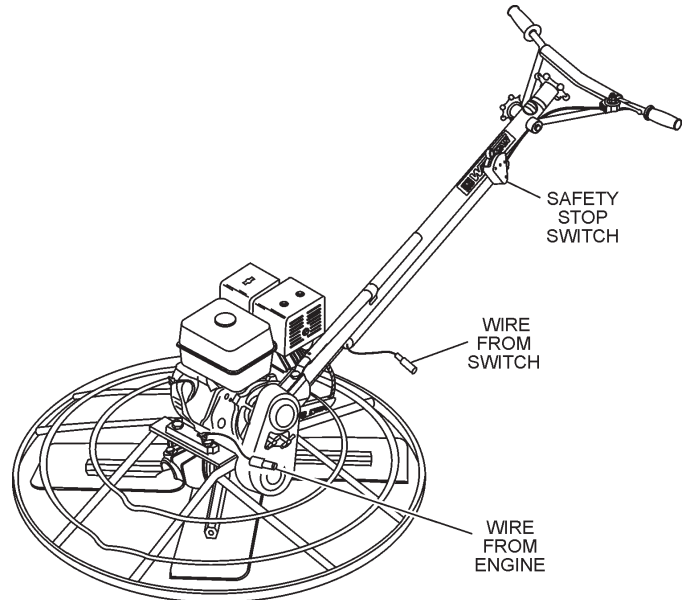


Figure 10. Engine Safety Stop Wire Connection

## Pitch Cable Installation

1. Expose the pitch cable to maximum by adjusting the handle pitch to the "no pitch" position. On the standard model turn the pitch control counter-clockwise, (Figure 11). On the Quick-Pitch™ model, pivot the pitch handle forward or no pitch, (Figure 12).

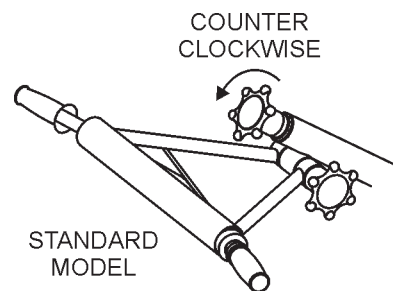


Figure 11. "No Pitch" Position (Standard)

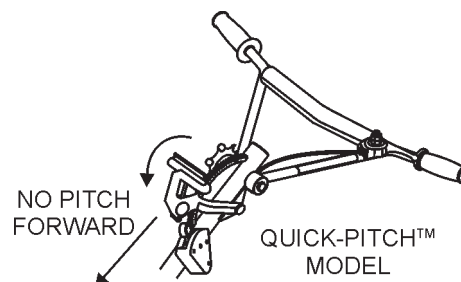
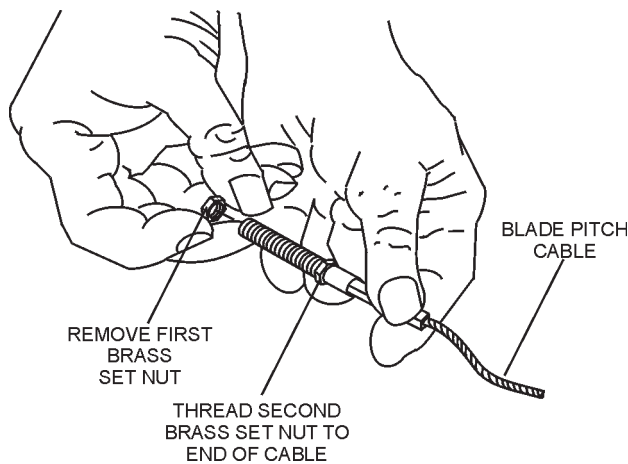


Figure 12. "No Pitch" Position (Quick-Pitch™)

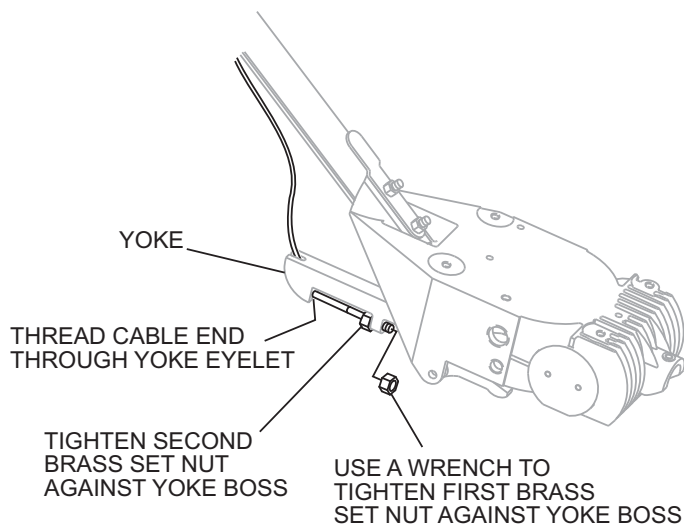
# HPLA/HPHA-SERIES 36" TROWEL — ASSEMBLY AND INSTALLATION

2. Lock the spring in the compressed position, by releasing the blade pitch adjustment trigger, (Quick-Pitch™ model).
3. Remove one brass set nut from the blade pitch cable end as shown in (Figure 13).
4. Thread the second brass set nut towards the cable as far as possible.



**Figure 13. Blade Pitch Cable**

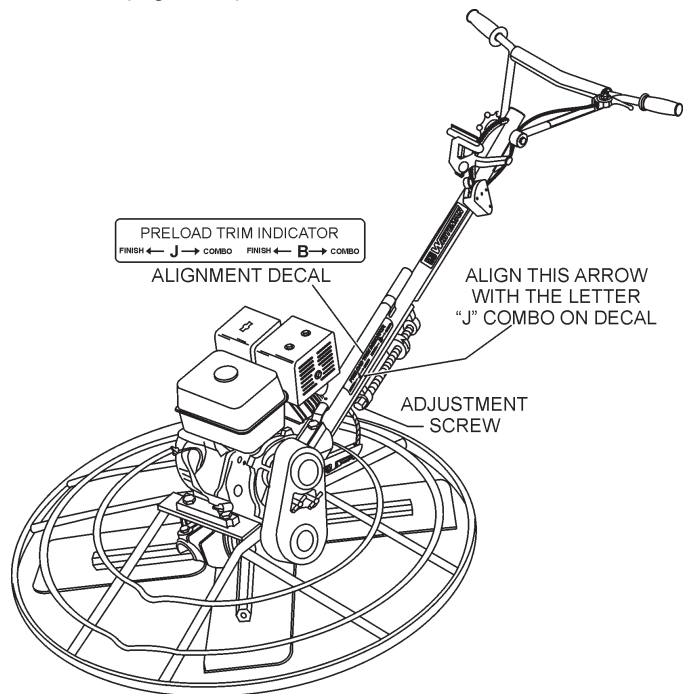
5. Insert the cable end through the yoke eyelet (Figure 14) Tighten the first brass set nut by hand to remove all the slack from the cable.
6. Using a wrench, tighten the second brass set nut up against the yoke boss. This will lock the cable in place.
7. Use a wrench and finish tightening the first brass set nut up against the yoke boss.



**Figure 14. Cable Yoke Attachment**

## Pre-load Adjustment (Quick-Pitch™ Models Only)

1. After the Quick-Pitch™ handle has been installed on the trowel, spring pre-load adjustment will be required.
2. Locate the adjustment screw on the underside of the handle tube (Figure 15).



**Figure 15. Pre-load Adjustment**

3. A **decal** has been placed on the side of the handle tube to assist the user in the adjustment of the spring.
4. Align the **arrow** on the adjustment screw with the letter "**J**" **COMBO** on the **decal**.
5. Test the pitch control operation and adjust if necessary.

# HPLA/HPHA-SERIES 36" TROWEL— PRE-INSPECTION

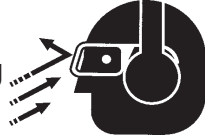
## CAUTION



**NEVER** operate the trowel in a confined area or enclosed area structure that does not provide ample *free flow of air*.



**ALWAYS** wear approved eye and hearing protection before operating the trowel.



**NEVER** place hands or feet inside the guard rings while the engine is running. **ALWAYS** shut the engine down before performing any kind of maintenance service on the trowel.



It is recommended that the trowel's **safety stop switch** be used to stop the engine after every use. Doing this will verify that the switch is working properly and presents no danger to the operator.

## Before Starting

1. Read safety instructions at the beginning of manual.
2. Clean the **trowel**, removing dirt and dust, particularly the engine cooling air inlet, carburetor and air cleaner.
3. Check the air filter for dirt and dust. If air filter is dirty, replace air filter with a new one as required.
4. Check carburetor for external dirt and dust. Clean with dry compressed air.
5. Check fastening nuts and bolts for tightness.

## Engine Oil Check

1. To check the engine oil level, place the trowel on secure level ground with the engine stopped.
2. Remove the filler dipstick from the engine oil filler hole (Figure 16) and wipe it clean.

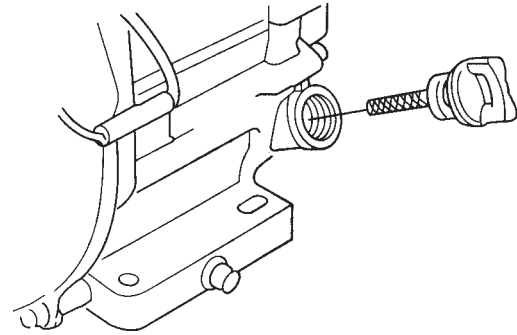
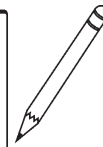
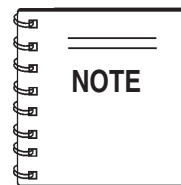


Figure 16. Engine Oil Dipstick (Removal)

3. Insert and remove the dipstick without screwing it into the filler neck. Check the oil level shown on the dipstick.
4. If the oil level is low (Figure 17), fill to the edge of the oil filler hole with the recommended oil type (Table 3). Maximum oil capacity is 1.16 US Qt. (1.1 liters).



Reference manufacturer engine manual for specific servicing instructions.

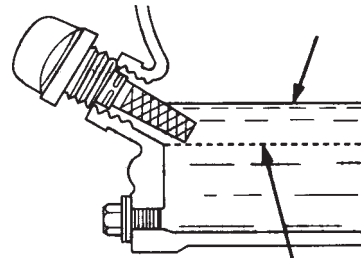


Figure 17. Engine Oil Dipstick (Oil Level)

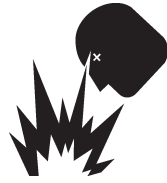
Table 3. Oil Type

Season	Temperature	Oil Type
Summer	25°C or Higher	SAE 10W-30
Spring/Fall	25°C~10°C	SAE 10W-30/20
Winter	0°C or Lower	SAE 10W-10

# HPLA/HPHA-SERIES 36" TROWEL— PRE-INSPECTION



**Explosive Fuel**



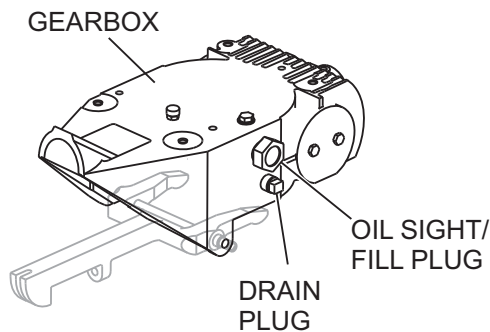
## Fuel Check

Motor fuels are highly flammable and can be dangerous if mishandled. **DO NOT** smoke while refueling. **DO NOT** attempt to refuel the trowel if the engine is **hot!** or **running**.

1. Remove the gasoline cap located on top of fuel tank.
2. Visually inspect to see if fuel level is low. If fuel is low, replenish with unleaded fuel.
3. When refueling, be sure to use a strainer for filtration. **DO NOT** top-off fuel. Wipe up any spilled fuel.

## Gearbox Oil

1. Determine if the **gearbox** oil is low by removing the oil plug located on the side of the gearbox. This plug will be marked by the "**check**" decal. See (Figure 18). The correct level of the lubrication oil should be to the bottom of the fill plug.



**Figure 18. Gearbox**

2. If lubrication oil begins to seep out as the drain plug is being removed, then it can be assumed that the gearbox has a sufficient amount of oil.
3. If lubrication oil does not seep out as the drain plug is being removed, fill with type ISO 680 (Whiteman P/N 10139) gearbox lubricant oil until the oil filler hole overflows.

## V-belt Check

A worn or damaged V-belt can adversely affect the performance of the trowel. If a V-belt is defective or worn simply replace the V-belt as outlined in the maintenance section of this manual.

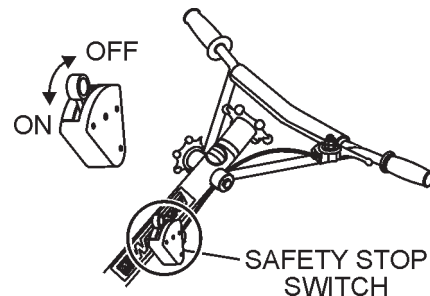
## Blade Check

Check for worn or damaged blades. Check to see if one blade is worn out while the others look new. If this is the case there could be a blade pitch problem. Refer to the maintenance section of this manual for blade pitch adjustment procedure. Replace any worn blades.

## CONTROLS

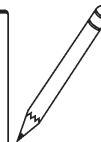
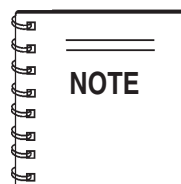
### Safety Stop Switch

This trowel has been equipped with a centrifugal safety stop switch. (Figure 19)



**Figure 19. Centrifugal Safety Stop Switch**

The switching mechanism of this switch should operate freely and should **always** be kept in this condition. With the switch in the **OFF** position, the engine should not start or run. The purpose of this switch is to stop the engine in a runaway situation, (i.e. the operator releasing the handle during operation). Safety stop switches should be tested every time the engine is started. See page 25 for procedures to check the operation of the Safety Stop Switch.



**NEVER!** disable or disconnect the safety stop switch. It is provided for operator safety. Injury may result if it is disabled, disconnected or improperly maintained.

# HPLA/HPHA-SERIES 36" TROWEL — INITIAL START-UP

## CAUTION



The trowel is **heavy** and **awkward** to move around. Use proper heavy lifting procedures and **DO NOT lift the trowel by the guard rings.**

### LIFTING THE TROWEL ONTO THE SLAB.

#### Auxiliary Lifting Tube

Remove the auxiliary lifting tube located on top of the main handle. Insert the tube into the socket located on the opposite side of the gearbox (Figure 20) from the handle.

Make sure that the hole in the tube engages with the pin in the socket. With one person lifting from the main handle, and another lifting from the auxiliary lifting tube pick up the machine to move onto a slab.

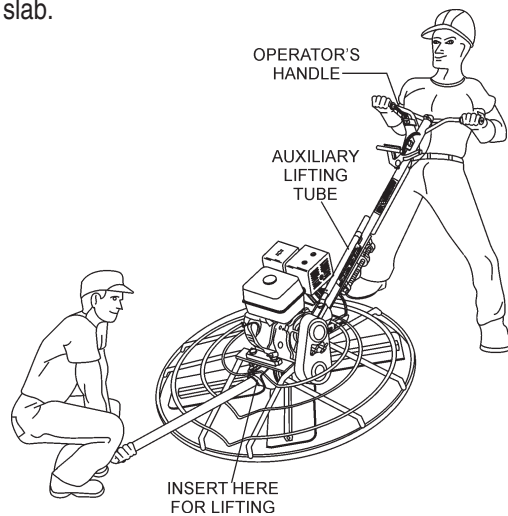


Figure 20. Lifting the Trowel

## CAUTION



The trowel must be stabilized by the person carrying the **operator's handle** (Figure 20). If it is not stabilized properly the handle may swing around and **flip** the trowel, thus causing damage to the trowel and bodily injury.

#### Lifting Bail (Option)

The lift bail is optional on new trowels. It provides an optimal lift point for moving the trowel. **Lift bails** or **forklift** can be used to lift a trowel up onto a building with a crane. See "**Optional Equipment**" section in this manual for ordering information.

Using a **crane** to move a machine with a lift bail is highly recommended, and is perfectly safe for the machine. Extra care should be taken when lifting the machine off the ground, though. Serious damage to the machine or personal injury could be caused by dropping a trowel.

This section is intended to assist the operator with the initial start-up of the walk-behind trowel. It is extremely important that this section be read carefully before attempting to use the trowel in the field.

**DO NOT** use your trowel until this section is thoroughly understood.

## CAUTION



**DO NOT** attempt to operate the trowel until the Safety, General Information and Inspection sections of this manual have been read and thoroughly understood. Depending on engine manufacturer, operating steps may vary. See engine manufacturer's operating manual. The following start-up procedure makes reference to a **HONDA 8 HP Engine (Manual Start).**

### Starting the Engine

1. Place the engine **fuel valve lever** (Figure 21) to the "ON" position.

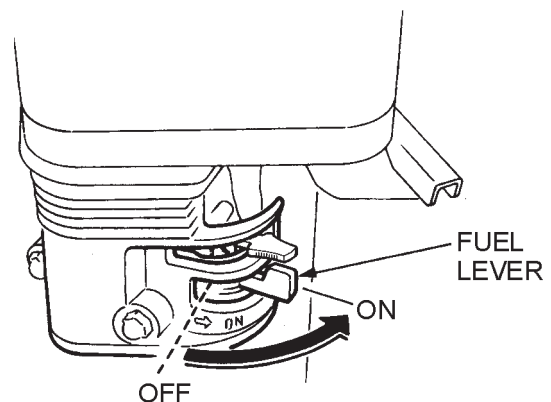


Figure 21. Engine Fuel Valve Lever

2. Move the throttle lever (Figure 22) to the "idle" position.

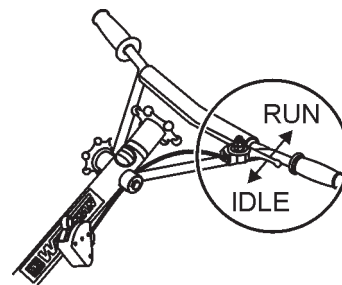


Figure 22. Throttle (Idle Position)



# HPLA/HPHA-SERIES 36" TROWEL — INITIAL START-UP

- Place the **centrifugal safety stop switch** (Figure 23) in the "ON" position.

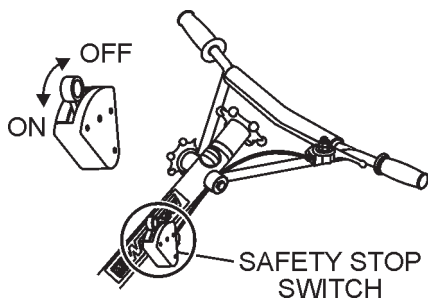


Figure 23. Centrifugal Safety Stop Switch

- Place the **Choke Lever** (Figure 24) in the "CLOSED" position

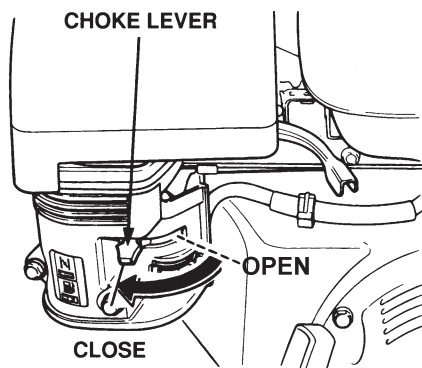


Figure 24. Engine Choke Lever

- Grasp the starter grip (Figure 25) and slowly pull it out. The resistance becomes the hardest at a certain position, corresponding to the compression point. Pull the starter grip briskly and smoothly for starting.

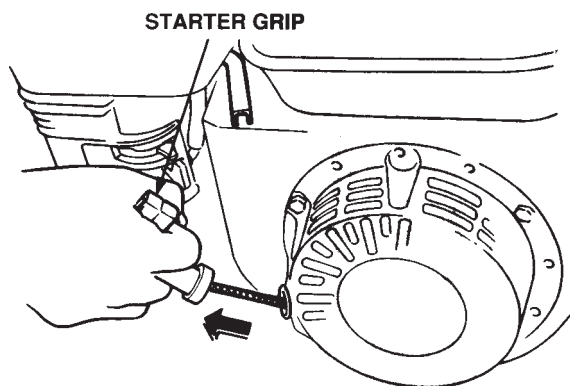


Figure 25. Starter Grip

- If the engine has started, slowly return the choke lever (Figure 24) to the **OPEN** position. If the engine has not started repeat steps 1 through 5.
- Before the trowel is placed into operation, run the engine for several minutes. Check for fuel leaks, and noises that would associate with a loose guard ring and/or covers.
- Test the Safety Stop Switch.

- With the engine at idle, move the safety stop switch lever to "OFF" (Figure 23). The engine should shut off.
- CLEAR THE AREA AROUND THE TROWEL.** Move the safety stop switch lever back to the "ON" position, restart the engine and let idle. Stand behind the handle and spin the handle to the right, simulating a runaway situation. (See Figure 26). Centrifugal force should throw the safety switch outward to the "OFF" position thus shutting off the engine.

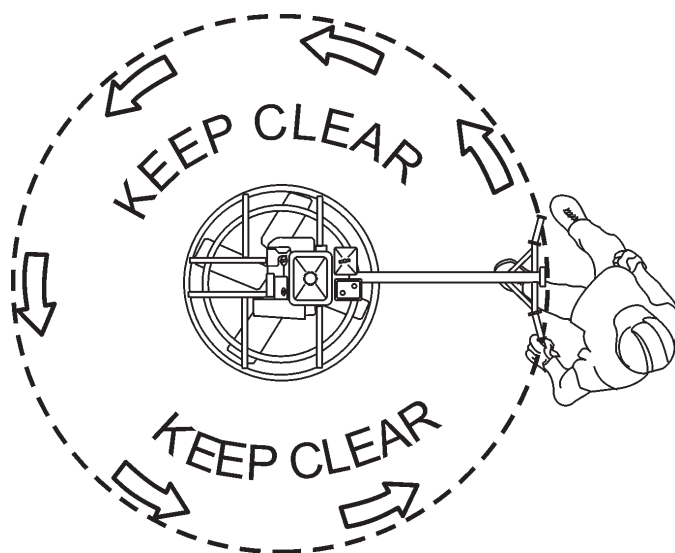


Figure 26. Testing the Centrifugal Safety Stop Switch

- To begin troweling, pull the throttle lever (Figure 27) toward the "RUN" position.

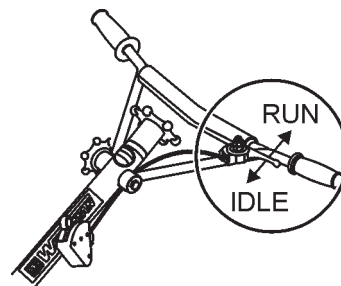


Figure 27. Throttle (Run Position)

# HPLA/HPHA-SERIES 36" TROWEL — OPERATION

The following steps are intended as a basic guide to machine operation, and are not to be considered a complete guide to concrete finishing. We suggest that all operators (experienced and novice) read "*Slabs on Grade*" published by the **American Concrete Institute, Detroit, Michigan**. Read the "Training" section of this manual for more information.

## PITCHING THE BLACES

### Quick Pitch Handle

1. To pitch the blades upwards using the "**Quick-Pitch™**" **T-handle**, (Figure 28) simply squeeze the trigger lock and pull the **T-handle** towards the operator. Pushing the **T-handle** towards the engine will cause the blades to lay flat.

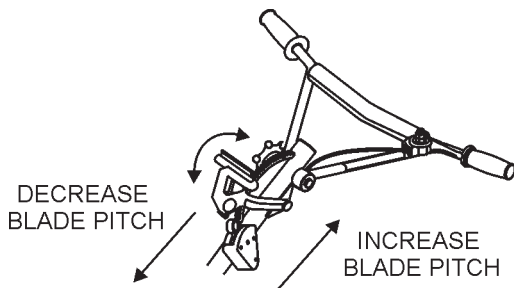


Figure 28. Quick-Pitch™ T- Handle

### Standard Handle

1. To pitch the blades upwards using the "**Standard**" handle, (Figure 29) simply turn the **star-wheel** clockwise. Turning the star wheel counter clockwise will cause the blades to lay flat.

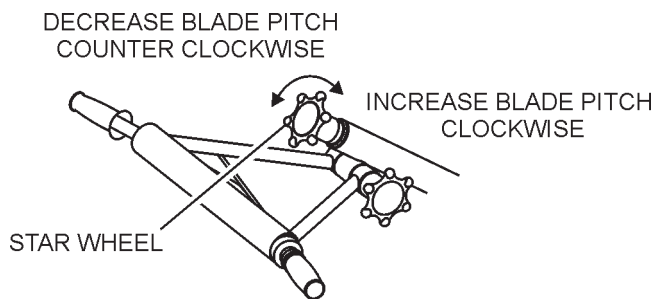


Figure 29. Standard Handle

## Maneuvering the Trowel

1. Get into the operator's position behind the handle. With a secure foothold and a firm grasp on the handles slowly increase the engine speed until the desired blade speed is obtained.
2. To maneuver the trowel, gently lift up on or press down on the main trowel handle. To move the machine to the operator's left, **lift up** on the handle, to move machine to the right, **push down** on the handle.
3. The best method for finishing concrete is to slowly walk backwards (Figure 30) with the trowel, guiding the trowel from side to side. This will cover all footprints on wet concrete.
4. Remember that if you let go of the trowel, just step away and let the trowel come to a complete stop before trying to recover the trowel. See (Figure 26) to see the area around the trowel to keep clear of.

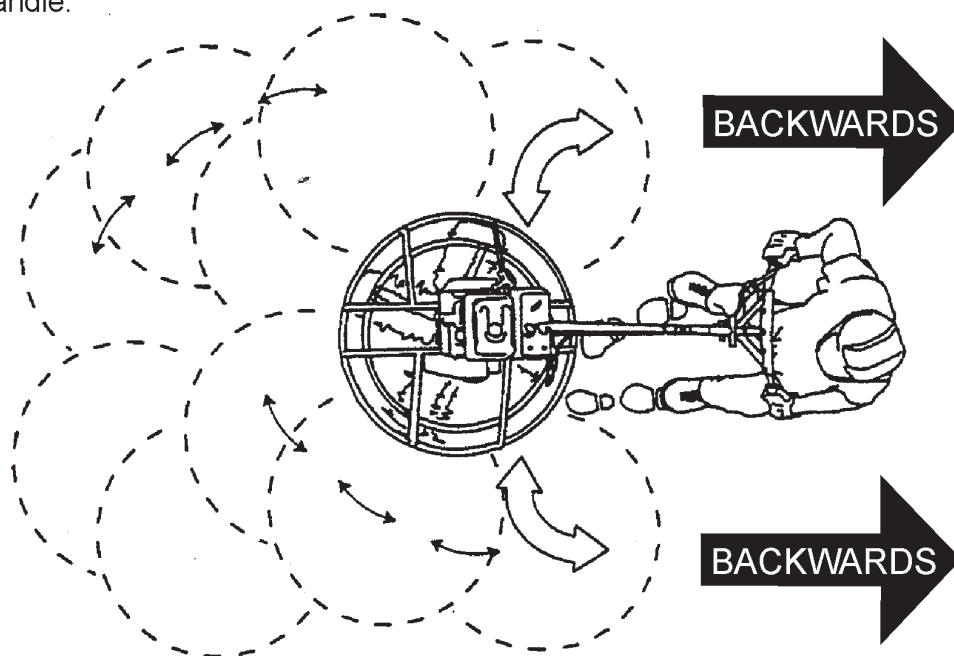
## HPLA/HPHA-SERIES 36" TROWEL — OPERATION

(Figure 30) below illustrates a typical walk-behind trowel application. Practice maneuvering the trowel. The trick is to let the trowel do the work.

Continue to practice maneuvering the trowel. Try to practice as if you were finishing a slab of concrete. Practice edging and covering a large area. Remember a good finishing technique is to work backwards. Be careful when moving backwards so that hazards can be avoided. The best way to get accustomed to the trowel is repeated use.

To move the trowel to the operator's left, **lift up** on the handle, to move the trowel to the right **push down** on the handle.

**Remember!** that if you let go of the trowel, just **step away** and let the trowel come to a complete **STOP** before trying to recover the trowel.



The best method for finishing concrete is to slowly walk **backwards** with the trowel, guiding the trowel from side to side. This will cover all footprints on wet concrete.

Figure 30. Maneuvering The Trowel

### WARNING



**NEVER** place your **feet** or **hands** inside the guard rings while starting or operating this equipment.

### WARNING



**ALWAYS** keep clear of **rotating** or **moving** parts while operating this equipment.

# HPLA/HPHA-SERIES 36" TROWEL — OPTIONS

## Blades



Blades should be changed when they fail to finish concrete in a satisfactory manner.

Blades are a vital part of finishing concrete. This trowel, or **finisher**, has been designed to finish concrete and the blades are built to stringent quality standards out of the finest trowel steel. If you need replacement blades, consult your parts list in this manual for part numbers and order them from your Multiquip parts dealer or importer.

## Combo Blades

This trowel was equipped with combination **float/finish** (Figure 31) blades as original equipment. These blades have been designed for optimum performance in both the floating and finishing operations. These blades are versatile and should take care of most troweling needs.

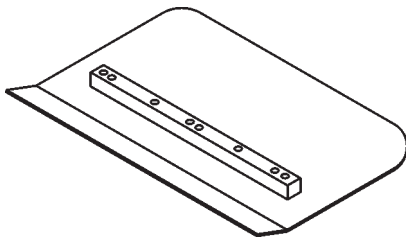


Figure 31. Combination Blade

## Finish Blades (Optional)

These blades (Figure 32) have been specifically designed for finish operations with this trowel. They will provide a premium surface finishing capability from your trowel. They should only be used after the concrete has set to the point where the trowel does not sink into the concrete when placed on it.

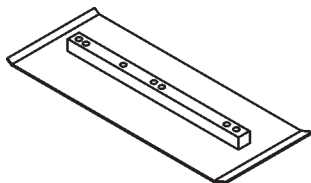


Figure 32. Finish Blade

## Clip-On Float Blades (Optional)

These blades will clip (Figure 33) on to an existing installed blade, allowing your finisher to float on “wet” concrete so that the troweling operation can begin as early as possible. They are easily removable, so that after the floating operation, when the concrete is sufficiently cured, they can be removed to expose the finish blades for continued troweling.

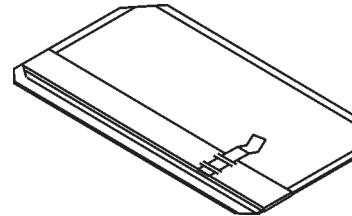


Figure 33. Clip-On Float Blade

## Float Discs (Optional)

These round discs (Figure 34) attach to the spiders and allow the machine to “float” on “wet” concrete. The disc design allows early floating and easy movement from wet to dry areas. They are also very effective in embedding large aggregates and surface hardeners.

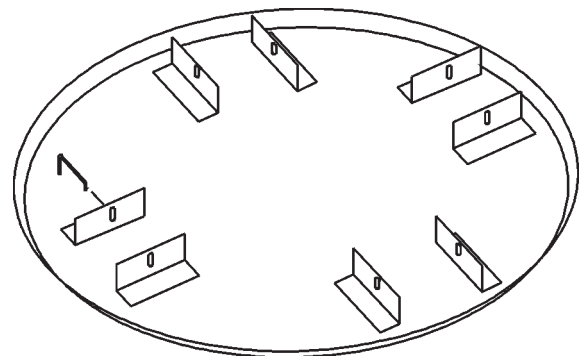


Figure 34. Float Disk

# HPLA/HPHA-SERIES 36" TROWEL — OPTIONS

## Grinding Attachments

Available grinding attachments are used for grinding surface imperfections or joints. These attachments allow greater utilization of your trowel. (Figure 35) illustrates a typical grinding disk assembly, complete with hub and stone mounting plate.

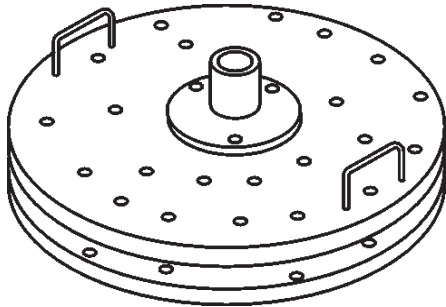


Figure 35. Grinding Disk

## Trowel Arm Adjustment Tool

If blades show uneven wear patterns or some tend to wear out faster than others, the trowel arms may need to be adjusted. Whiteman makes a special tool (Figure 37) that will adjust all of the trowel arms consistently. The Trowel Arm Fixture P/N is 1817.

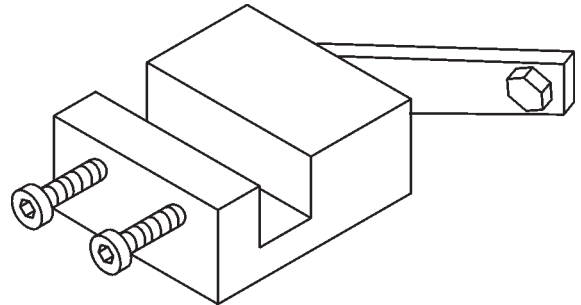


Figure 37. Trowel Arm Adjustment Fixture

## Lifting Bail

There is a heavy duty, center balance type lifting bail (Figure 36) made specifically for your trowel. These bails are ideal for lifting and transporting your trowel. They are designed to lift the finisher and balance it on its center of gravity, providing great stability while lifting. This option is not available on electric trowel models.

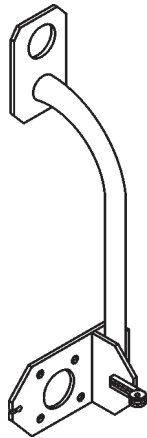


Figure 36. Lifting Bail

# HPLA/HPHA-SERIES 36" TROWEL — MAINTENANCE (ENGINE)

## Engine Maintenance

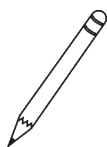
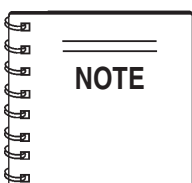
Perform engine maintenance procedures as referenced by Table 4 below:

Table 4. Engine Maintenance Schedule							
DESCRIPTION (3)	OPERATION	BEFORE	FIRST MONTH OR 10 HRS.	EVERY 3 MONTHS OR 25 HRS.	EVERY 6 MONTHS OR 50 HRS.	EVERY YEAR OR 100 HRS.	EVERY 2 YEARS OR 200 HRS.
Engine Oil	CHECK	X					
	CHANGE		X				
Air Cleaner	CHECK	X					
	CHANGE			X (1)			
All Nuts & Bolts	Re-tighten If Necessary	X					
Spark Plug	CHECK-CLEAN				X		
	REPLACE						X
Cooling Fins	CHECK				X		
Spark Arrester	CLEAN					X	
Fuel Tank	CLEAN					X	
Fuel Filter	CHECK					X	
Idle Speed	CHECK-ADJUST					X (2)	
Valve Clearance	CHECK-ADJUST						X (2)
Fuel lines	CHECK	Every 2 years (replace if necessary) (2)					

(1) Service more frequently when used in **DUSTY** areas.

(2) These items should be serviced by your servic dealer, unless you have the proper tools and are mechanically proficient. Refer to the HONDA shop Manual for service procedures

(3) For commercial use, log hours of operation to determine proper maintenance intervals.



Reference manufacturer engine manual for specific servicing instructions.

# HPLA/HPHA-SERIES 36" TROWEL — MAINTENANCE (ENGINE)

## Maintenance

Perform the engine maintenance procedures as indicated below:

### DAILY

- Thoroughly remove dirt and oil from the engine and control area. Clean or replace the air cleaner elements as necessary. Check and retighten all fasteners as necessary. Check the spring box and bellows for oil leaks. Repair or replace as needed.

### WEEKLY

- Remove the fuel filter cap and clean the inside of the fuel tank.
- Remove or clean the filter at the bottom of the tank.
- Remove and clean the spark plug (Figure 38), then adjust the spark gap to 0.028 ~0.031 inch (0.6~0.7 mm). This unit has electronic ignition, which requires no adjustments.

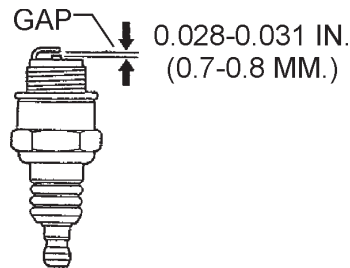


Figure 38. Spark Plug Gap

## ENGINE OIL

- Drain the engine oil when the oil is **warm** as shown in Figure 39.
- Remove the oil drain bolt and sealing washer and allow the oil to drain into a suitable container.
- Replace engine oil with recommended type oil as listed in Table 3. Engine oil capacity is 1.16 quarts (1.1 liters). **DO NOT** overfill.
- Install drain bolt with sealing washer and tighten securely.

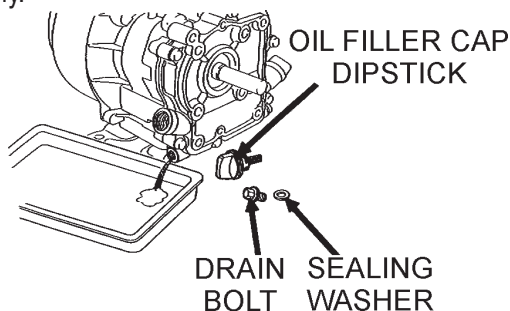
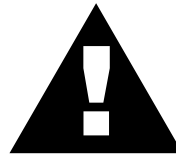


Figure 39. Engine Oil (Draining)

## DANGER :



**DO NOT** use gasoline as a cleaning solvent, because that would create a risk of fire or explosion.

## ENGINE AIR CLEANER

- Remove the air cleaner cover and foam filter element as shown in Figure 40.
- Tap the paper filter element (Figure 40) several times on a hard surface to remove dirt, or blow compressed air [not exceeding 30 psi (207 kPa, 2.1 kgf/cm<sup>2</sup>)] through the filter element from the air cleaner case side. **NEVER** brush off dirt. Brushing will force dirt into the fibers. Replace the paper filter element if it is excessively dirty.
- Clean foam element in warm, soapy water or nonflammable solvent. Rinse and dry thoroughly. Dip the element in clean engine oil and completely squeeze out the excess oil from the element before installing.

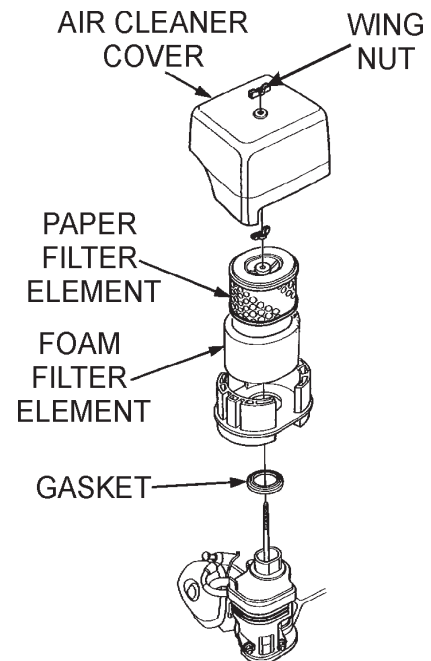
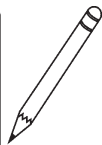
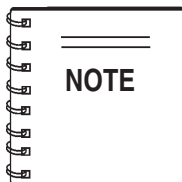


Figure 40. Engine Air Cleaner

# HPLA/HPHA-SERIES 36" TROWEL — MAINTENANCE



See the engine manual supplied with your machine for appropriate engine maintenance schedule and troubleshooting guide for problems.

At the front of the book (Page 7) there is a “**Daily Pre-Operation Checklist**”. Make copies of this checklist and use it on a daily basis.

## CAUTION!



**ALWAYS** allow the engine to cool before servicing. **NEVER** attempt any maintenance work on a **hot!** engine.



## MAINTENANCE SCHEDULE

### Daily (8-10 Hours)

1. Check the oil level in the engine crankcase and gear box, fill as necessary.
2. Check V-belt.

### Weekly (50-60 Hours)

1. Relube arms, thrust collar and clutch.
2. Replace blades if necessary.
3. Check and clean or replace the engine air filter as necessary.
4. Replace engine oil and filter as necessary, see engine manual.

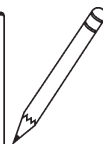
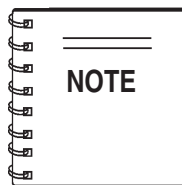
### Monthly (200-300 Hours)

1. Remove, clean, reinstall and relube the arms and thrust collar. Adjust the blade arms.
2. Remove, clean, reinstall clutch.

### Yearly (2000-2500 Hours)

1. Check and replace if necessary the arm bushings, thrust collar bushings and shaft seals.
2. Check pitch control cables for wear.
3. Adjust blade speed.

## Trowel Arm Adjustment Procedure



The following procedure should be followed to adjust trowel arms when it becomes apparent that the trowel is finishing poorly or in need of routine maintenance.

A **level**, clean area to test the trowel prior to and after is essential. Any unlevel **spots** in the floor or debris under the trowel blades will give an incorrect perception of adjustment. Ideally, a 5 x 5" three-quarter inch thick **flat** steel plate should be used for testing.

1. To determine which blades need adjustment, place the trowel in the test area (three-quarter inch thick plate) and look for the following conditions:

- Pitch the blades as flat as possible and look at the **adjustment bolts**. They should all barely make contact with the **lower wear plate** on the spider. If you can see that one of them is not making contact, some adjustment will be necessary.

- Is the machine wearing out blades unevenly (i.e. one blade is completely worn out while the others look new)?

(Figure 41) below illustrates a “**worn spider bushings or bent trowel arms**”. Check to see that adjustment bolt is barely touching (0.10" max. clearance) lower wear plate. All alignment bolts should be spaced the same distance from the lower wear plate.

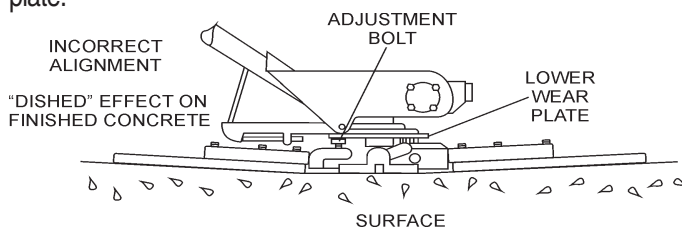


Figure 41. Worn Spider Plate

(Figure 42) below illustrates the “**correct alignment**” for a spider plate (as shipped from the factory).

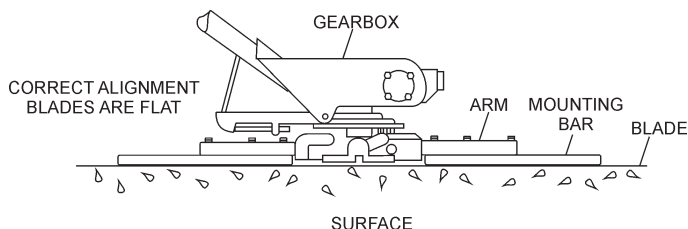


Figure 42. Correct Spider Plate Alignment



# HPLA/HPHA-SERIES 36" TROWEL — MAINTENANCE

2. Start engine, and bring trowel blades up to full speed and look for the following conditions:
  - Does the trowel have a perceived rolling or bouncing motion when in use?
  - Look at the trowel while it is running, does the guard ring “rock up and down” relative to the ground?

## Spider Removal

1. Once it is determined that an adjustment is required, remove the spider assembly from the gearbox shaft as follows:
  - a. Locate the cone point square head set screw (Figure 43) and attached jam nut found on the side of the spider assembly.

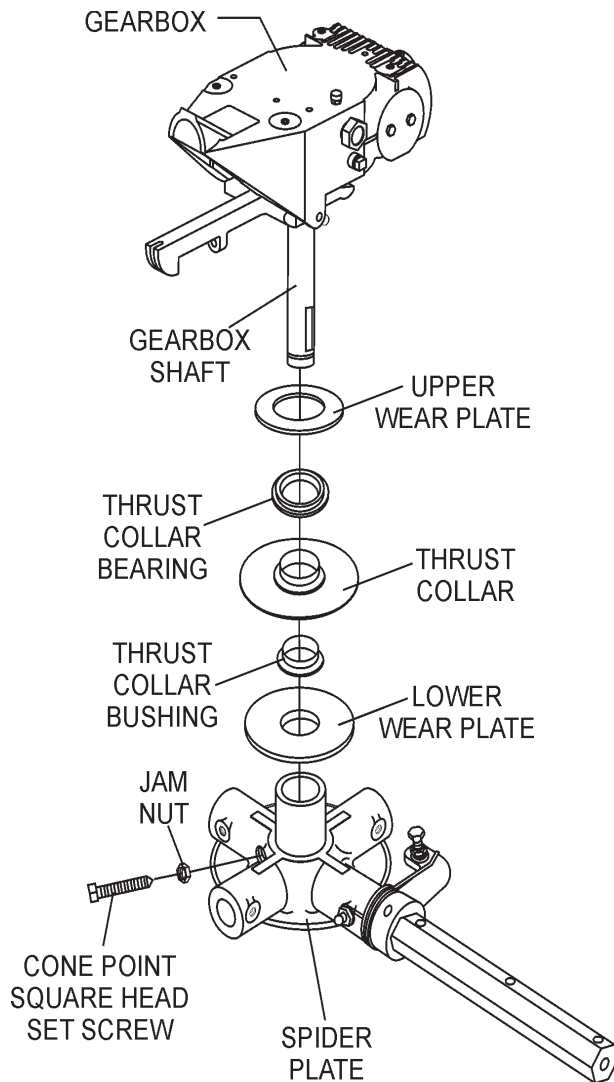


Figure 43. Spider/Gearbox Removal

- b. Loosen the jam nut and cone point square head set screw, and carefully lift the **upper trowel assembly** off of the spider assembly. A slight tap with a rubber mallet may be necessary to dislodge the spider from the main shaft of the gearbox.

## Trowel Arm Removal

1. Each trowel arm is held in place at the spider plate by a hex head bolt (zerk grease fitting) and a roll pin. Remove both the hex head bolt and the roll pin (Figure 44) from the spider plate.
2. Remove the trowel arm from the spider plate.

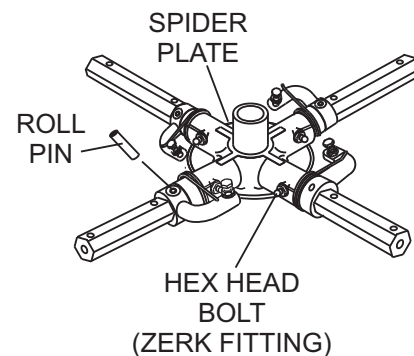


Figure 44. Removing Roll Pin and Zerk Grease Fitting

3. Should the trowel arm inserts (bronze bushing) come out with the trowel arm, remove the bushing from the trowel arm and set aside in a safe place. If the bushing is retained inside the spider plate, carefully remove the bushing.
  4. Examine the bronze trowel arm bushing insert (Figure 45), clean if necessary. Replace bushing if out of round or worn.

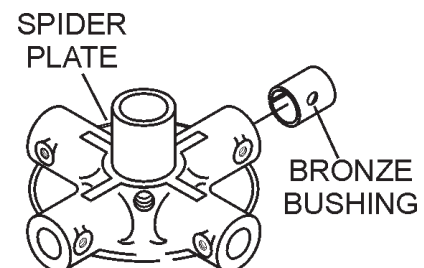


Figure 45. Bronze Bushings

# HPLA/HPHA-SERIES 36" TROWEL — MAINTENANCE

## Trowel Blade Removal

1. Remove the trowel blades from the trowel arm by removing the three hex head bolts (Figure 46) from the trowel arm. Set blades aside.

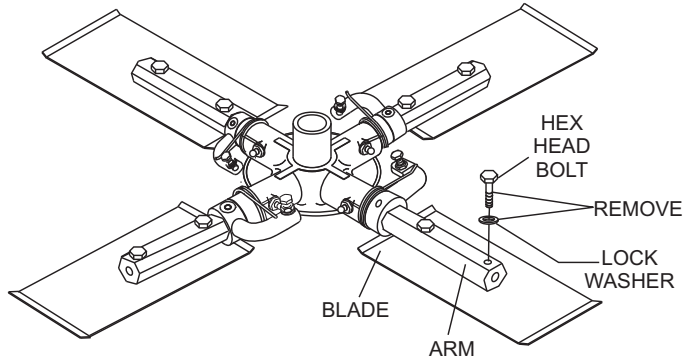


Figure 46. Trowel Blades

2. **Wire brush** any build-up of concrete from all six sides of the trowel arm. Repeat this for the remaining three arms.

## Trowel Arm Flatness Test

1. Using a piece of 3/4 inch thick steel plate or any surface which is **true** and **flat**, check all **six sides** of each trowel arm for flatness.
2. Check each of the six sides of the trowel arm (hex section only) using a ten thousandths of an inch (max.) feeler gauge (Figure 47) between the flat of the trowel arm and an **extremely flat** test surface.

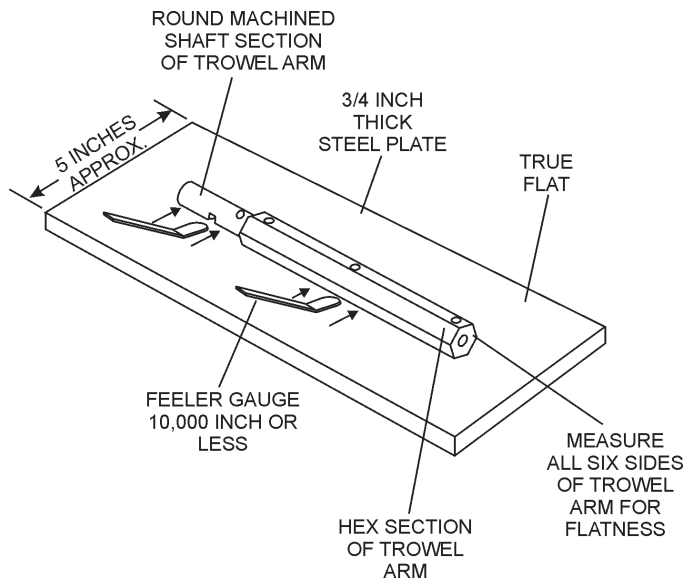
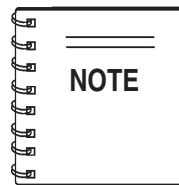


Figure 47. Trowel Arm Flatness Test

3. If the trowel arm is found to be **uneven** or **bent**, replace the trowel arm. A bent trowel will not allow the trowel to operate in a smooth fluid rotation.
4. Next, check each of the six sides of the round machined shaft section of the trowel arm. Each section should have the **same clearance** between the round of the trowel arm shaft and the test surface.



Trowel arms can be damaged by rough handling or by striking exposed plumbing or forms while in operation. **ALWAYS** look-out for objects which might cause damage to the trowel arms.

## Trowel Arm Adjustment

Shown in (Figure 48) is the adjustment fixture with a trowel arm inserted. As each trowel arm is locked into the fixture, the arm bolt is adjusted to where it contacts a stop on the fixture. This will consistently adjust all of the trowel arms, keeping the finisher as flat and evenly pitched as possible.

1. Locate the trowel arm adjustment tool P/N 1817. Set the adjustment tool for a clock-wise blade rotation, meaning the fixture arm is in the "UP" position.

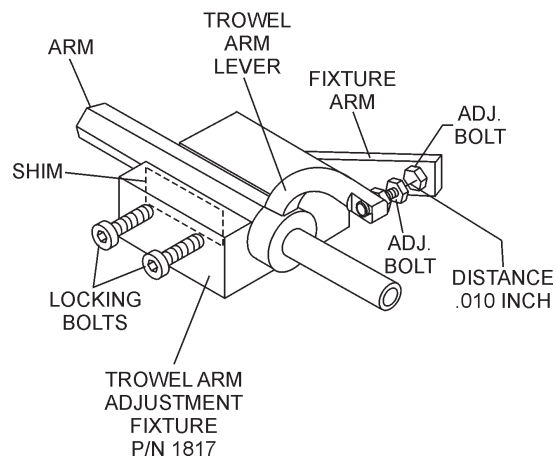
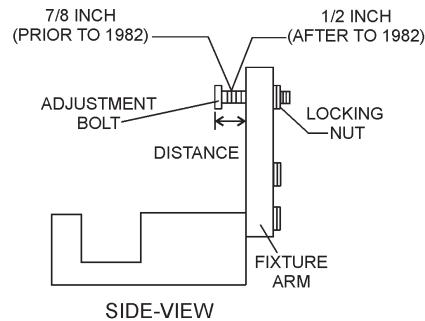


Figure 48. Trowel Arm Adjustment Tool

## HPLA/HPHA-SERIES 36" TROWEL — MAINTENANCE

- Trowels manufactured prior to June of 1982 require that the distance from the end of the adjusting bolt and the fixture arm must be 7/8" (Figure 45). Conversely, trowels manufactured after June of 1982 require that the distance from the end of the adjusting bolt and the fixture arm must be 1/2".
- Un-screw the locking bolts on the adjustment tool, and place the trowel arm into the adjustment fixture channel as shown in (Figure 48). A **thin shim** may be required to cover the blade holes on the trowel arm. Make sure to align the trowel adjustment bolt with the fixture adjustment bolt.
- Using an allen wrench, tighten the locking bolts on the adjustment tool and securely lock the trowel arm in place.
- Loosen the locking nut on the trowel arm lever, then turn the trowel arm adjusting bolt until it barely touches (.010") the adjusting bolt on the fixture.
- After the correct adjustment has been made, tighten lock nut on trowel arm lever to lock in place.
- Loosen locking bolts on adjustment fixture, and remove trowel arm from fixture.
- Repeat steps 2-7 for the remaining trowel arms.
- Reinstall **lower wear plate**, **thrust collar** and **upper wear ring** in the **reverse order** that they were dis-assembled onto the spider shaft. Make sure that there is little or no lateral movement between the thrust collar and the spider shaft.
- Carefully lift **the upper trowel assembly**, line up the key-way on gear box main shaft and insert into spider assembly.
- Reinstall square head cone point into spider plate and tighten in place. Tighten jam nut. Use care in making sure point of set screw engages groove in gear box main shaft.
- Lubricate all grease points (zerk fittings) with premium "**Lithum 12**" based grease, conforming to NLG1 Grade #2 consistency.

### Testing

- Place trowel in test area, start engine and test trowel for smoothness.
- If trowel bounces has excessive vibration or does not run smoothly repeat alignment procedure.

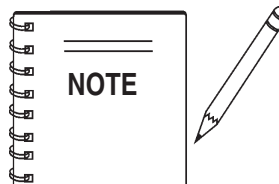
### Changing a Blade

Whiteman recommends that **all the blades be changed at the same time**. The machine may wobble or bounce if only some of the blades are changed at one time.

- Place the machine on a flat, level surface. Adjust the blade pitch control to make the blades as flat as possible. Note the blade orientation on the trowel arm.

### Re-Assembly

- Clean and examine the upper/lower wear plates and thrust collar. Examine the entire spider assembly. Wire brush any concrete or rust build-up. If any of the spider components are found to be damaged or out of round, replace them.
- Make sure that the bronze trowel arm bushing is not damage or out of round. Clean the bushing if necessary. If the bronze bushing is damage or worn, replace it.
- Reinstall bronze bushing onto trowel arm.
- Repeat steps 2 -3 for each trowel arm.
- Make sure that the spring tensioner is in the correct position to exert tension on the trowel arm.
- Insert all trowel arms with levers into spider plate (with bronze bushing already installed) using care to align grease hole on bronze bushing with grease hole fitting on spider plate.
- Lock trowel arms in place by tightening the hex head zerk grease fitting and jam nut.
- Re-install the blades back onto the trowel arms.
- Install stabilizer ring onto spider assembly.

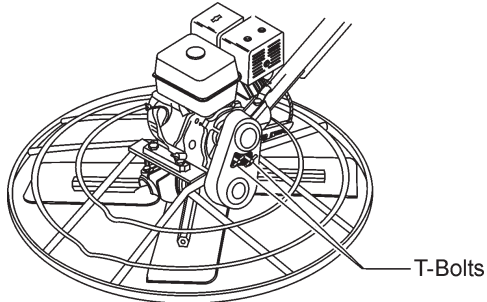


Before removing the blades, please note the orientation of the blade on the trowel arm.

- Remove the three bolts and lock washers that secure the blade to the trowel arm. Remove the blade.
- Using a wire brush, scrape all concrete particles and foreign debris from the trowel arm.
- Install the new trowel blade onto the trowel arm. Make sure blade is installed correctly, maintaining the proper orientation for direction of rotation.
- Reinstall the three bolts and lock washers that secure the blade to the trowel arm. Tighten all three bolts securely.
- Repeat steps 2-5 for all remaining blades.

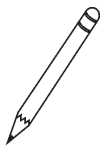
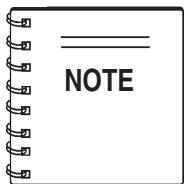
## Changing The V- Belt

1. Unscrew the two (2) t-bolts from the belt guard and remove the lockwashers. (Figure 49).



**Figure 49. Removing The Belt Guard**

2. Work belt around and off the bottom pulley and remove belt.
3. Replace with the appropriate belt for your machine:  
HPLA36 uses p/n 0261 (A-31)  
HPHA36 uses p/n 0152 3 (A-28)
4. Place the belt in the groove of the upper pulley then work the belt over the bottom pulley into place.



The V-Belt will tension itself automatically during operation. **NO FURTHER ADJUSTMENT OR TENSIONING IS NECESSARY.**

5. Replace the belt guard, lockwashers, and secure with the T-bolts.

## WARNING!



**NEVER** operate equipment with covers, or guards removed. Keep **fingers, hands, hair** and **clothing** away from all moving parts to prevent injury.



# HPLA/HPHA-SERIES 36" TROWEL — TROUBLESHOOTING (TROWEL)

**TABLE 5. TROWEL TROUBLESHOOTING**

SYMPTOM	POSSIBLE PROBLEM	SOLUTION
Engine running rough or not at all.	Safety switch malfunction?	Make sure that the safety switch is ON or replace switch if necessary.
	Fuel?	Look at the fuel system. Make sure there is fuel being supplied to the engine. Check to ensure that the fuel filter is not clogged.
	Ignition?	Check to ensure that the ignition switch has power and is functioning correctly.
Safety switch not functioning.	Bad contacts?	Replace switch.
	Loose wire connections?	Check wiring. Replace as necessary.
	Other problems?	Consult engine manufacturer's manual.
If trowel "bounces, rolls concrete, or makes uneven swirls in concrete".	Blades?	Make certain blades are in good condition, not excessively worn. Finish blades should measure no less than 2" (50mm) from the blade bar to the trailing edge, combo blades should measure no less than 3.5" (89mm). Trailing edge of blade should be straight and parallel to the blade bar.
	Spider?	Check that all blades are set at the same pitch angle as measured at the spider. A field adjustment tool is available for height adjustment of the trowel arms (see Optional Equipment).
	Bent trowel arms?	Check the spider assembly for bent trowel arms. If one of the arms is even slightly bent, replace it immediately.
	Trowel arm bushings?	Check the trowel arm bushings for tightness. This can be done by moving the trowel arms up and down. If there is more than 1/8" (3.2 mm) of travel at the tip of the arm, the bushings should be replaced. All bushings should be replaced at the same time.
	Thrust collar?	Check the flatness of the thrust collar by rotating it on the spider. If it varies by more than 0.02" (0.5 mm) replace the thrust collar.
	Thrust collar bushing?	Check the thrust collar by rocking it on the spider. If it can tilt more than 3/32" (2.4 mm) [as measured at the thrust collar O.D.], replace the bushing in the thrust collar.
	Thrust bearing worn?	Check the thrust bearing to see that it is spinning free. Note: Thrust cap, replace if necessary.
Machine has a perceptible rolling motion while running.	Main shaft?	The main output shaft of the gearbox assembly should be checked for straightness. The main shaft must run straight and cannot be more than 0.003" (0.08 mm) out of round at the spider attachment point.
	Yoke?	Check to make sure that both fingers of the yoke press evenly on the wear cap. Replace yoke as necessary.
	Blade Pitch?	Check to ensure that each blade is adjusted to have the same pitch as all other blades. Adjust per maintenance section in manual.

# HPLA/HPHA-SERIES 36" TROWEL — TROUBLESHOOTING (TROWEL)

**TABLE 5. TROWEL TROUBLESHOOTING (CONTINUED)**

SYMPTOM	POSSIBLE PROBLEM	SOLUTION
Clutch slipping or sluggish response to engine speed change.	Worn V-belts?	Replace V-belt.
	Dirty centrifugal clutch?	Disassemble and clean clutch.
	Defective or worn out centrifugal clutch?	Replace entire clutch.
	Worn bearings in gearbox?	Rotate input shaft by hand. If shaft rotates with difficulty, check the input and output shaft bearings. Replace as necessary.
	Worn or broken gears in gearbox?	Verify that the gearbox shaft rotates when the input shaft is rotated. Replace both the worm and worm gear as a set.

**TABLE 6. ENGINE TROUBLESHOOTING**

SYMPTOM	POSSIBLE PROBLEM	SOLUTION
<b>Operation not satisfactory</b>		
Rotational speed fluctuates.	Governor adjustment improper?	Adjust governor to correct lever.
	Governor spring defective?	Clean or replace ignition.
	Fuel flow erratic?	Check fuel line.
	Air taken in through suction line?	Check suction line.
Recoil starter not working properly.	Dust in rotating part?	Clean recoil starter assembly.
	Spring spring failure?	Replace sprial spring.

# HPLA/HPHA-SERIES 36" TROWEL — TROUBLESHOOTING (ENGINE)

**TABLE 6. ENGINE TROUBLESHOOTING (CONTINUED)**

SYMPTOM	POSSIBLE PROBLEM	SOLUTION
<b>Difficult to start</b>		
Fuel is available but spark plug will not ignite. (Power available at high tension cable).	Ignition plug being bridge?	Check ignition system.
	Carbon deposit at ignition?	Clean or replace ignition.
	Short circuit due to defective insulators?	Replace insulators.
	Improper spark gap?	Set spark plug gap to the correct gap.
Fuel is available but spark plug will not ignite. (Power <b>NOT</b> available at high tension cable).	Short circuit at stop switch?	Check stop switch circuit. Replace stop switch if defective.
	Ignition coil defective?	Replace ignition coil.
Fuel is available and spark plug ignites (compression <b>normal</b> ).	Muffler clogged with carbon deposits?	Clean or replace muffler.
	Fuel in use inadequate (water, dust)?	Flush fuel sytem and replace with fresh fuel.
	Air Cleaner clogged?	Clean or replace air cleaner.
Fuel is available and spark plug ignites (compression <b>low</b> ).	Defective cylinder head gasket?	Tighten cylinder head bolts or replace head gasket.
	Cylinder worn?	Replace cylinder.
	Spark plug loose?	Tighen spark plug.
<b>Operation not satisfactory</b>		
Not enough power available (compression normal, no miss-firing).	Air cleaner clogged?	
	Air in fuel line?	Bleed (remove air) from fuel line.
	Fuel level in carbureator float chamber improper?	Adjust carbureator float
	Carbon deposits in cylinder?	Clean or replace cylinder
Not enough power available (compression normal, miss-firing).	Ignition coil defective?	Flush fuel sytem and replace with fresh fuel.
	Ignition plug often shorts?	Replace ignition wires, clean ignition.
	Fuel in use inadequate (water, dust)?	Flush fuel sytem and replace with fresh fuel.
Engine overheats.	Excessive carbon depostion in combustion chamber?	Clean or replace crankcase.
	Exhaust or muffler clogged with carbon.	Clean or replace muffler.
	Spark plug heat value incorrect?	Replace spark plug with correct type spark plug.

# HPLA/HPHA-SERIES 36" TROWEL — EXPLANATION OF CODES

The following section explains the different symbols and remarks used in the Parts section of this manual. Use the help numbers found on the back page of the manual if there are any questions.

## NOTICE

The contents and part numbers listed in the parts section are subject to change **without notice**. Multiquip does not guarantee the availability of the parts listed.

## SAMPLE PARTS LIST

NO.	PART NO.	PART NAME	QTY.	REMARKS
1	12345	BOLT.....	1	INCLUDES ITEMS W/%
2%		WASHER, 1/4 IN.....		NOT SOLD SEPARATELY
2%	12347	WASHER, 3/8 IN....	1	MQ-45T ONLY
3	12348	HOSE .....	A/R	MAKE LOCALLY
4	12349	BEARING .....	1	S/N 2345B AND ABOVE

## NO. Column

**Unique Symbols** — All items with same unique symbol

(@, #, +, %, or >) in the number column belong to the same assembly or kit, which is indicated by a note in the "Remarks" column.

**Duplicate Item Numbers** — Duplicate numbers indicate multiple part numbers, which are in effect for the same general item, such as different size saw blade guards in use or a part that has been updated on newer versions of the same machine.

## NOTICE

When ordering a part that has more than one item number listed, check the remarks column for help in determining the proper part to order.

## PART NO. Column

**Numbers Used** — Part numbers can be indicated by a number, a blank entry, or TBD.

TBD (To Be Determined) is generally used to show a part that has not been assigned a formal part number at the time of publication.

A blank entry generally indicates that the item is not sold separately or is not sold by Multiquip. Other entries will be clarified in the "Remarks" Column.

## QTY. Column

**Numbers Used** — Item quantity can be indicated by a number, a blank entry, or A/R.

A/R (As Required) is generally used for hoses or other parts that are sold in bulk and cut to length.

A blank entry generally indicates that the item is not sold separately. Other entries will be clarified in the "Remarks" Column.

## REMARKS Column

Some of the most common notes found in the "Remarks" Column are listed below. Other additional notes needed to describe the item can also be shown.

**Assembly/Kit** — All items on the parts list with the same unique symbol will be included when this item is purchased.

Indicated by:

"INCLUDES ITEMS W/(unique symbol)"

**Serial Number Break** — Used to list an effective serial number range where a particular part is used.

Indicated by:

"S/N XXXXX AND BELOW"

"S/N XXXX AND ABOVE"

"S/N XXXX TO S/N XXX"

**Specific Model Number Use** — Indicates that the part is used only with the specific model number or model number variant listed. It can also be used to show a part is NOT used on a specific model or model number variant.

Indicated by:

"XXXXX ONLY"

"NOT USED ON XXXX"

**"Make/Obtain Locally"** — Indicates that the part can be purchased at any hardware shop or made out of available items. Examples include battery cables, shims, and certain washers and nuts.

**"Not Sold Separately"** — Indicates that an item cannot be purchased as a separate item and is either part of an assembly/kit that can be purchased, or is not available for sale through Multiquip.



# HPLA/HPHA-SERIES 36" TROWEL — SUGGESTED SPARE PARTS

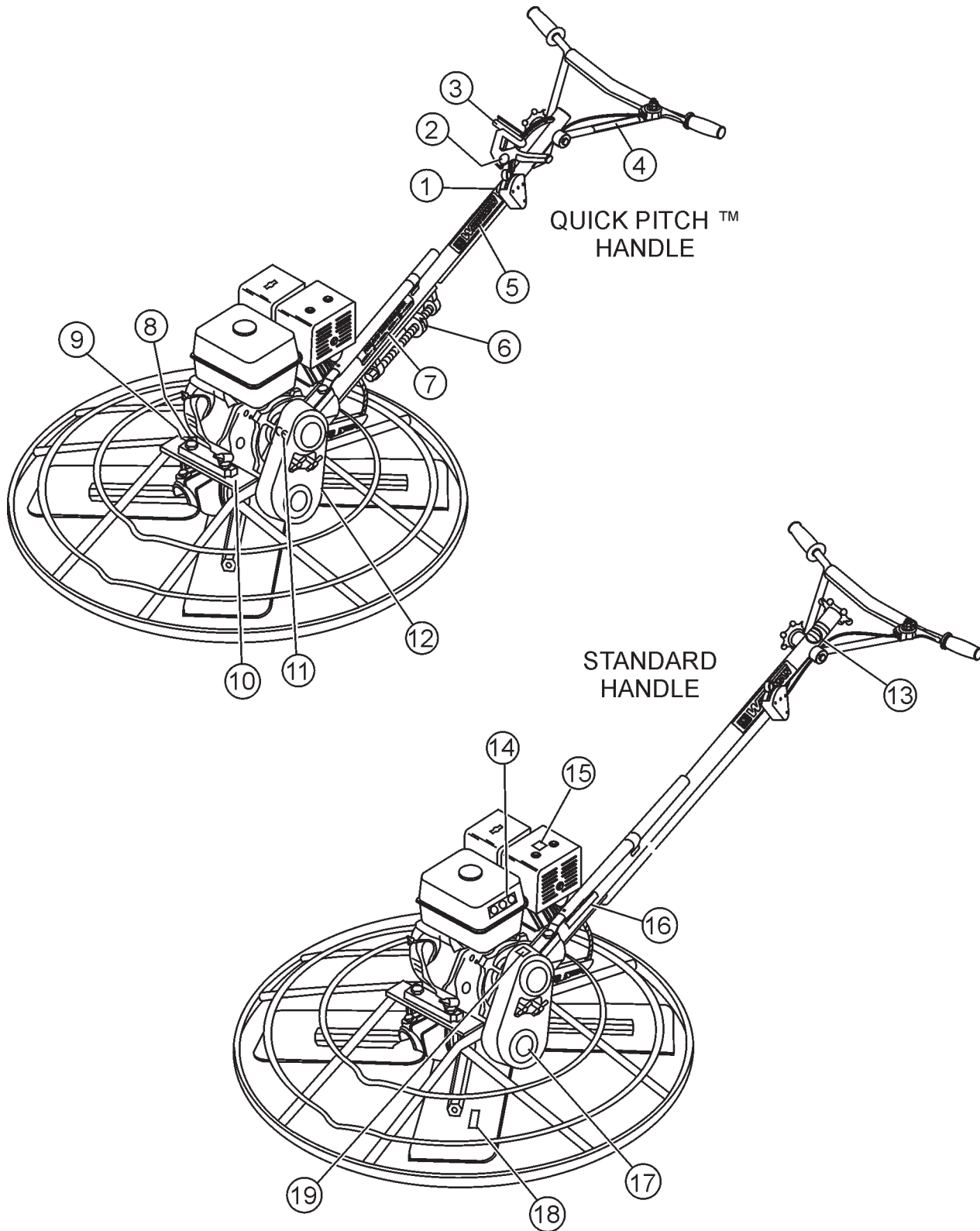
## HPLA/HPHA-SERIES 36" TROWEL 1 TO 3 UNITS WITH HONDA GX-240K1QA2 ENGINE.

### *1 to 3 Units*

Qty. ....	P/N .....	Description
1 .....	20478 .....	GRIP, LEFT
1 .....	20463 .....	GRIP, RIGHT
2 .....	20856 .....	SAFETY SWITCH
1 .....	20285 .....	CABLE STANDARD HANDLE
1 .....	20297 .....	CABLE QUICK-PITCH™
1 .....	21172 .....	THROTTLE CABLE
1 .....	21171 .....	THROTTLE
1 .....	21173 .....	CABLE HOUSING
4 .....	1157 A .....	BUSHING
4 .....	1162 A .....	LUBE CAP
4 .....	1167 A .....	SCREW
4 .....	1456 .....	NUT
4 .....	1875 .....	WASHER
4 .....	1322 .....	SCREW
1 .....	21046 .....	GASKET KIT
1 .....	21047 .....	BEARING KIT
4 .....	1247 .....	RUBBER GROMMET
4 .....	1245 .....	SPACER
1 .....	2827 .....	ARM (16-1/2")
2 .....	0261 .....	BELT (A-31) (HPLA3648H)
2 .....	0152 3 .....	BELT (A-28) (HPHA3548H)
1 .....	10968 .....	THRUST COLLAR KIT
2 .....	9807955846 .....	SPARK PLUG
2 .....	17620ZH7023 .....	TANK CAP
2 .....	17210ZE2505 .....	AIR CLEANER ELEMENT
2 .....	17218ZE2505 .....	FILTER OUTER

# HPLA/HPHA-SERIES 36" TROWEL — NAMEPLATE AND DECALS

## NAMEPLATES AND DECALS



# HPLA/HPHA-SERIES 36" TROWEL — NAMEPLATE AND DECALS

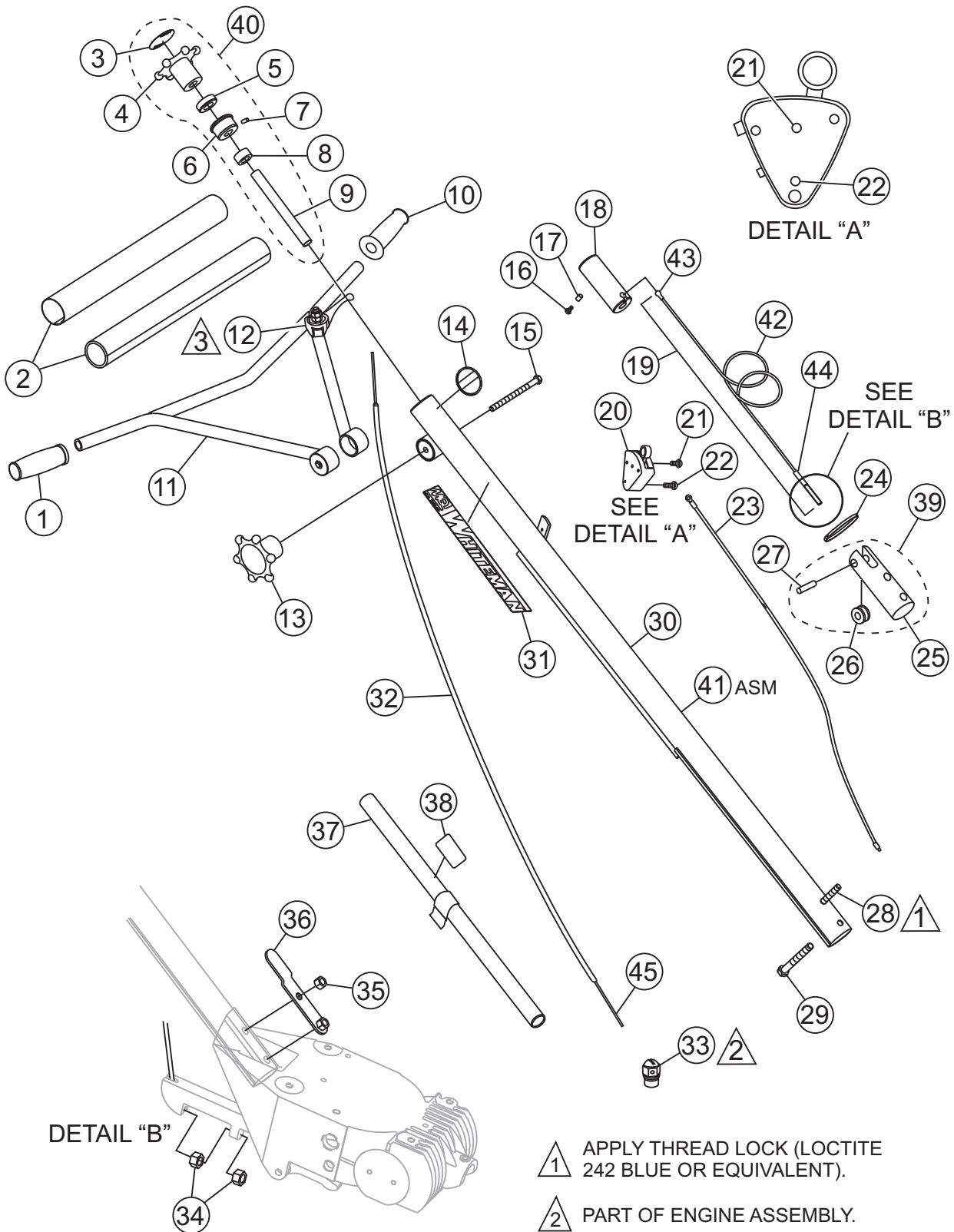
## NAMEPLATE AND DECALS

<u>NO.</u>	<u>PART NO.</u>	<u>PART NAME</u>	<u>QTY.</u>	<u>REMARKS</u>
1	1758	DECAL: QUICK-PITCH™ HANDLE	1	
2	12405	DECAL: QUICK-PITCH™ HANDLE INSERT	2	
3	20527	DECAL: QUICK-PITCH™ WARNING	1	
4	20526	DECAL: QUICK-PITCH™ LATCH WARNING	1	
5	2942	DECAL: MQ WHITEMAN 13"	1	
6	1736	DECAL: ARROWS	1	
7	1735	DECAL: PRE-LOAD INDICATOR	1	
8	11246	DECAL: OIL CHECK .....	1	..... PART OF DECAL KIT P/N 12620
9		NAMEPLATE .....	1	..... CONTACT MULTIQUIP ..... SERVICE DEPT.
10	1940	DECAL: MQ WHITEMAN (SMALL)	1	
11	11092	DECAL: CE	1	
12	11246	DECAL: GEAR DRIVE	1	PART OF DECAL KIT P/N 12620
13	1492	DECAL: STANDARD HANDLE (FINISHER)	1	
14	1147	DECAL: HELMET, FOOT AND GLOVE .....	1	..... PART OF DECAL KIT P/N 12620
15	11246	DECAL: HOT .....	1	..... PART OF DECAL KIT P/N 12620
16	1261	DECAL: DO NOT LIFT	1	
17	1848	DECAL: POWER TROWEL	1	
18	2938	DECAL: METRIC	1	
19	11246	DECAL: BELT DRIVE .....	1	..... PART OF DECAL KIT P/N 12620

SEE DECAL ILLUSTRATIONS ON PAGE 12

# HPLA/HPHA-SERIES 36" TROWEL — STANDARD HANDLE ASSY.

STANDARD HANDLE ASSY.



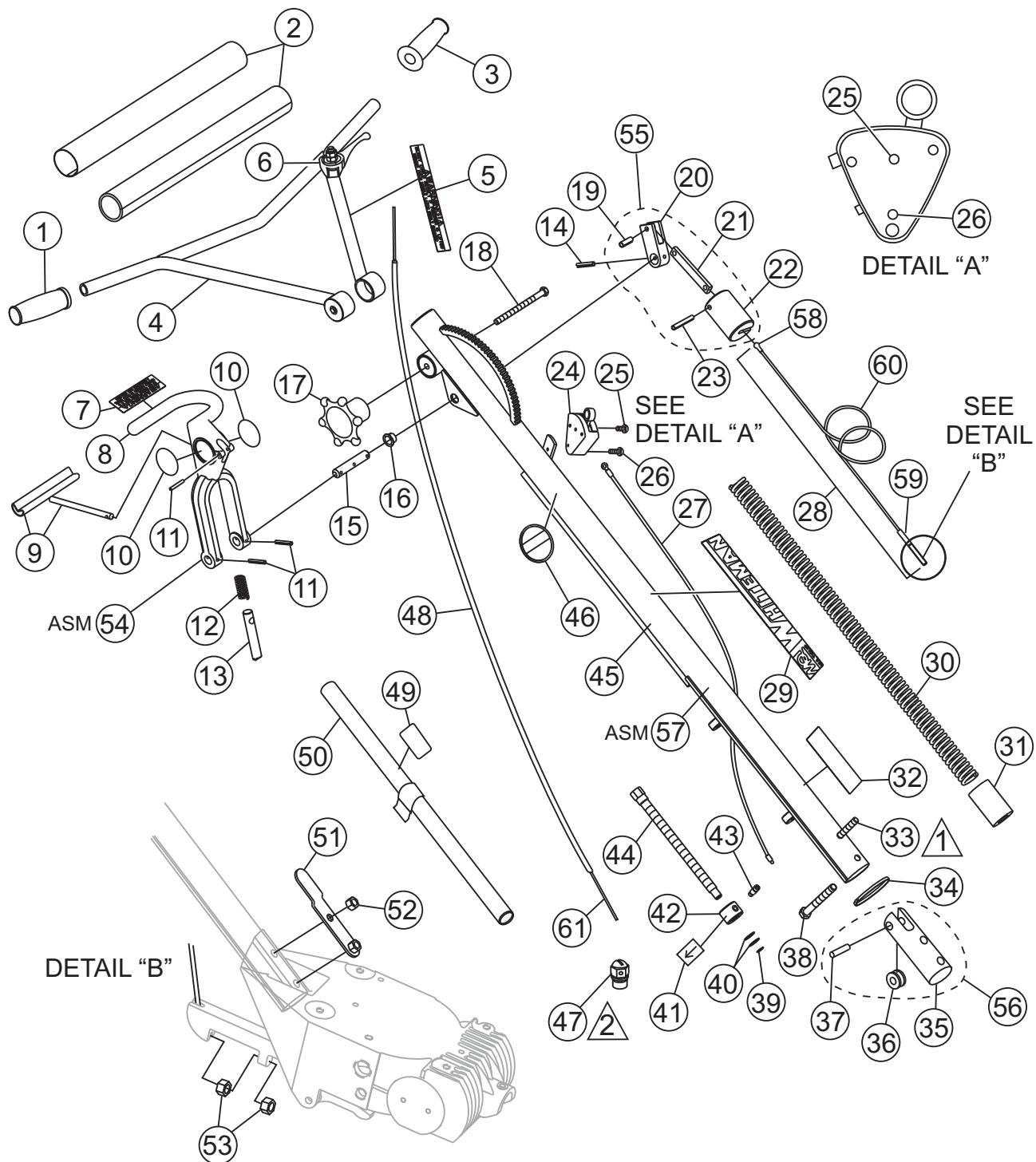
# HPLA/HPHA-SERIES 36" TROWEL — STANDARD HANDLE ASSY.

## STANDARD HANDLE ASSY.

<u>NO.</u>	<u>PART NO.</u>	<u>PART NAME</u>	<u>QTY.</u>	<u>REMARKS</u>
1	20463	GRIP, HANDLE RIGHT	1	
2	20774	COVER, PAD HANDLE	1	
3	20818	DECAL, STD PITCH.....	1	OBSOLETE ON LATER MODELS
4*	20817	WHEEL, HAND HANDLE	1	
5*	0281	BEARING, THRUST, NICE 607	1	
6*	20282	BEARING, TROWEL CONTROL	1	
7*	0122C	SCREW, SHS 3/8-16 X 1/2	1	
8*	3615	COLLAR, SET 3/4 ID	1	
9*	1478	SHAFT, TROWEL CONTROL	1	
10	20478	GRIP, HANDLE LEFT	1	
11	12556	HANDLE, ADJUSTABLE	1	
12	21171	THROTTLE	1	
13	20439	WHEEL ASSY., HAND	1	
14	1492	DECAL, CUSTOM 2 1/2 CHROME	1	
15	20438	SCREW, HHC 3/8-16 X 5.00	1	
16	0786	SCREW, BHC 1/4- 20 X 3/8 NYL PATCH, NP	1	
17	0786A	SPACER, .360 X 17/64 X 1/8L	1	
18	20287	SLIDE BLOCK TROWEL CONTROL	1	
19	20285	CABLE ASSY., LENGTH 48.29" STD FINISHER	1	
20	20856	SWITCH ASSY., SAFETY STOP .....	1	INCLUDES ITEM W/■
21■	1602	SCREW, RHM 10-24 X 3/8	1	
22	20988	SCREW, FHSC PHILLIPS 8-32 X 1 1/4	1	
23	20514	WIRE ASSY., SAFETY STOP SWITCH	1	
24	1662	TIE, CABLE TY-RAP, BLACK	1	
25#	20275	BLOCK, SUPPORT	1	
26#	1118	PULLEY, SUPPORT BLOCK	1	
27#	20279	PIN, SUPPORT BLOCK 3/8 X 1.59	1	
28	21017	SCREW, HHC 3/8-16 X 3 1/2 FULL THREAD	1	
29	1493	SCREW, HHC 3/8-16 X 3 1/4	1	
30	12567	HANDLE, STD	1	
31	2942	DECAL, MQ WHITEMAN, 13"	1	
32	21173	HOUSING, CABLE 74"	1	
33	20845	SWIVEL, THROTTLE CABLE	1	
34	1116	NUT, BRASS JAM 5/16-18	2	
35	10133	NUT, NYLOC 3/8-16	1	
36	20392	BRACKET, LIFT TUBE	1	
37		HANDLE, LIFT ASSY. ....	1	NO LONGER AVAILABLE
38		DECAL, CAUTION, LIFT HANDLE .....	1	NO LONGER AVAILABLE
39	20280	BLOCK, CABLE ASSY. ....	1	INCLUDES ITEMS W/#
40	20819	HAND WHEEL ASSY., PITCH CONTROL .....	1	INCLUDES ITEMS W/*
41		HANDLE ASSY., STD FINISHERS .....	1	CONTACT SALES DEPT.
42	20301	CABLE, CNTL 5/32 GALV AIRCRAFT 46.03"	1	
43	20421	CLEVIS, BALL END CONTROL CABLE	1	
44	A8638	END-BOLT, CNTL CABLE	1	
45	21172	CABLE, THROTTLE	1	

# HPLA/HPHA-SERIES 36" TROWEL — QUICK-PITCH™ HANDLE ASSY.

## QUICK-PITCH™ T-HANDLE



▲ 1 APPLY THREAD LOCK (LOCTITE 242 BLUE OR EQUIVALENT).

▲ 2 PART OF ENGINE ASSEMBLY.

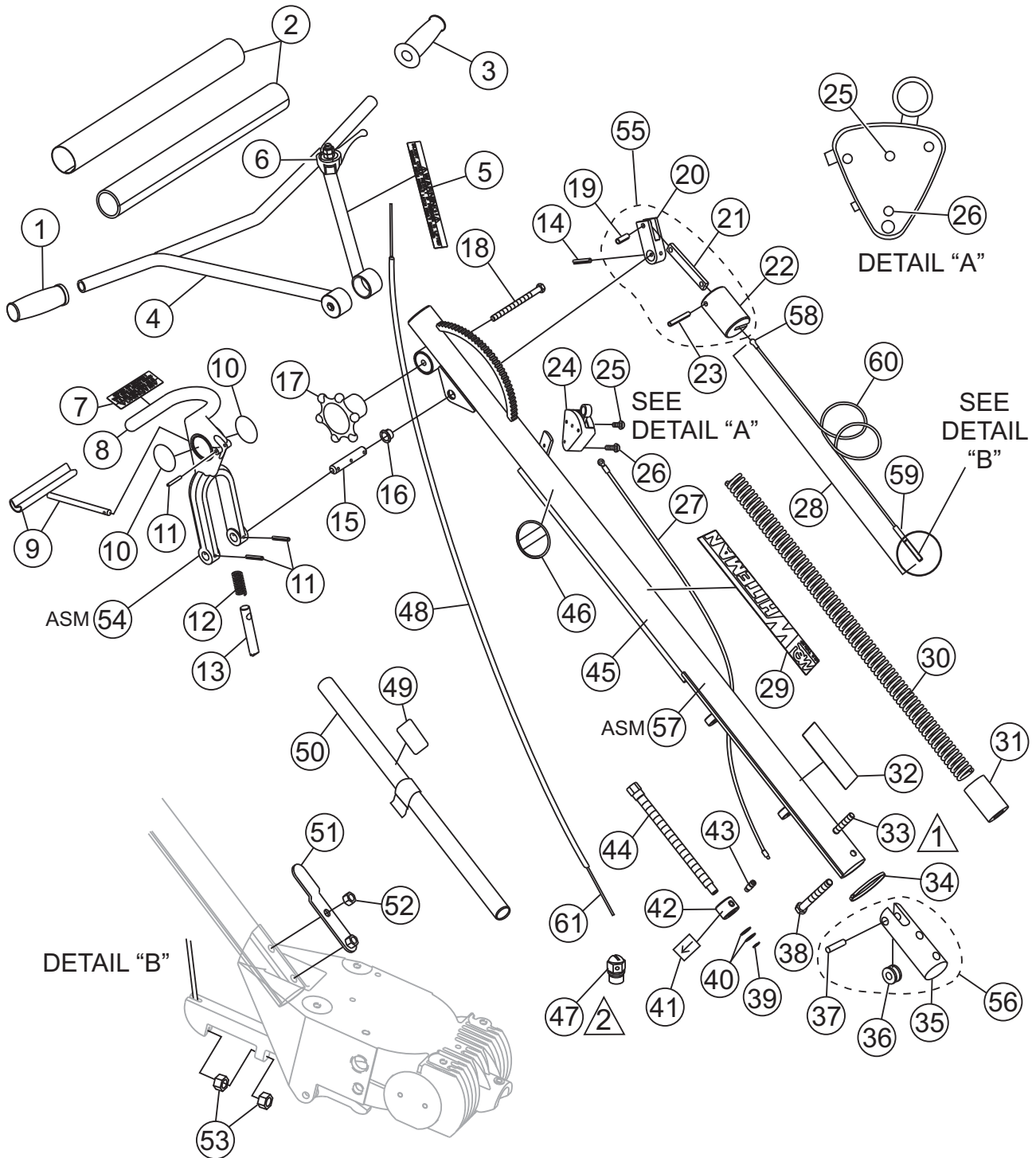
# HPLA/HPHA-SERIES 36" TROWEL — QUICK-PITCH™ HANDLE ASSY.

## QUICK-PITCH™ HANDLE

<u>NO.</u>	<u>PART NO.</u>	<u>PART NAME</u>	<u>QTY.</u>	<u>REMARKS</u>
1	20463	GRIP, HANDLE RIGHT	1	
2	20774	COVER, PAD HANDLE	1	
3	20478	GRIP, HANDLE LEFT	1	
4	12556	HANDLE, ADJUSTABLE	1	
5	20526	DECAL, LATCH WARNING	1	
6	21171	THROTTLE	1	
7	20527	DECAL, Q.P. WARNING	1	
8*	20389	HANDLE, QUICK-PITCH™	1	
9*	1746	TRIGGER, QP CHROMED	1	
10*	12405	DECAL, WHITEMAN QUICK-PITCH™	2	
11	1729	PIN, ROLL 3/16 X 1 1/4	3	
12*	1706	SPRING, ENCLOSED QP CLAMP	1	
13*	20437	PIN, QP LATCH	1	
14	4568	PIN, ROLL 3/16 X 1	1	
15	1711	SHAFT, CONTROL QP	1	
16	1719	BUSHING, PIVOT PLATE	1	
17	20439	WHEEL ASSY., HAND	1	
18	20438	SCREW, HHC 3/8-16 X 5.00	1	
19+	1731	PIN, ROLL 1/4 X 3/4	1	
20+	20443	ARM, SLIDE CONTROL	1	
21+	1709	CONNECTOR, QP CONTROL ARM	1	
22+	20269	LINKAGE, QP CONTROL	1	
23+	20276	PIN, ROLL 1/4 X 1 3/4	1	
24	20856	SWITCH ASSY., SAFETY STOP .....	1	INCLUDES ITEM W/■
25■	1602	SCREW, RHM 10-24 X 3/8	1	
26	20988	SCREW, FHSC PHILLIPS 8-32 X 1 1/4	1	
27	20514	WIRE ASSY., SAFETY STOP SWITCH	1	
28	20297	CABLE ASSY., QP CONTROL, 45"	1	
29	2942	DECAL, MQ WHITEMAN, 13"	1	
30	1715	SPRING, COUNTER BALANCE	1	
31	20270	BLOCK, QP ADJUSTMENT	1	
32	1735	DECAL, PRELOAD TRIM INDICATOR	1	
33	21017	SCREW, HHC 3/8-16 X 3 1/2 FULL THREAD	1	
34	1662	TIE, CABLE, TY-RAP BLACK	1	
35#	20275	BLOCK, SUPPORT	1	
36#	1118	PULLEY, SUPPORT BLOCK	1	
37#	20279	PIN, SUPPORT BLOCK 3/8 X 1.59	1	
38	1493	SCREW, HHC 3/8-16 X 3 1/4	1	
39	1737	SNAP RING, TRUARC #5100-50	1	
40	1733	WASHER, 1/2 X 1/32, HARDENED	2	

# HPLA/HPHA-SERIES 36" TROWEL — QUICK PITCH™ HANDLE ASSY.

QUICK PITCH HANDLE ASSY.



▲ 1 APPLY THREAD LOCK (LOCTITE 242 BLUE OR EQUIVALENT).

▲ 2 PART OF ENGINE ASSEMBLY.



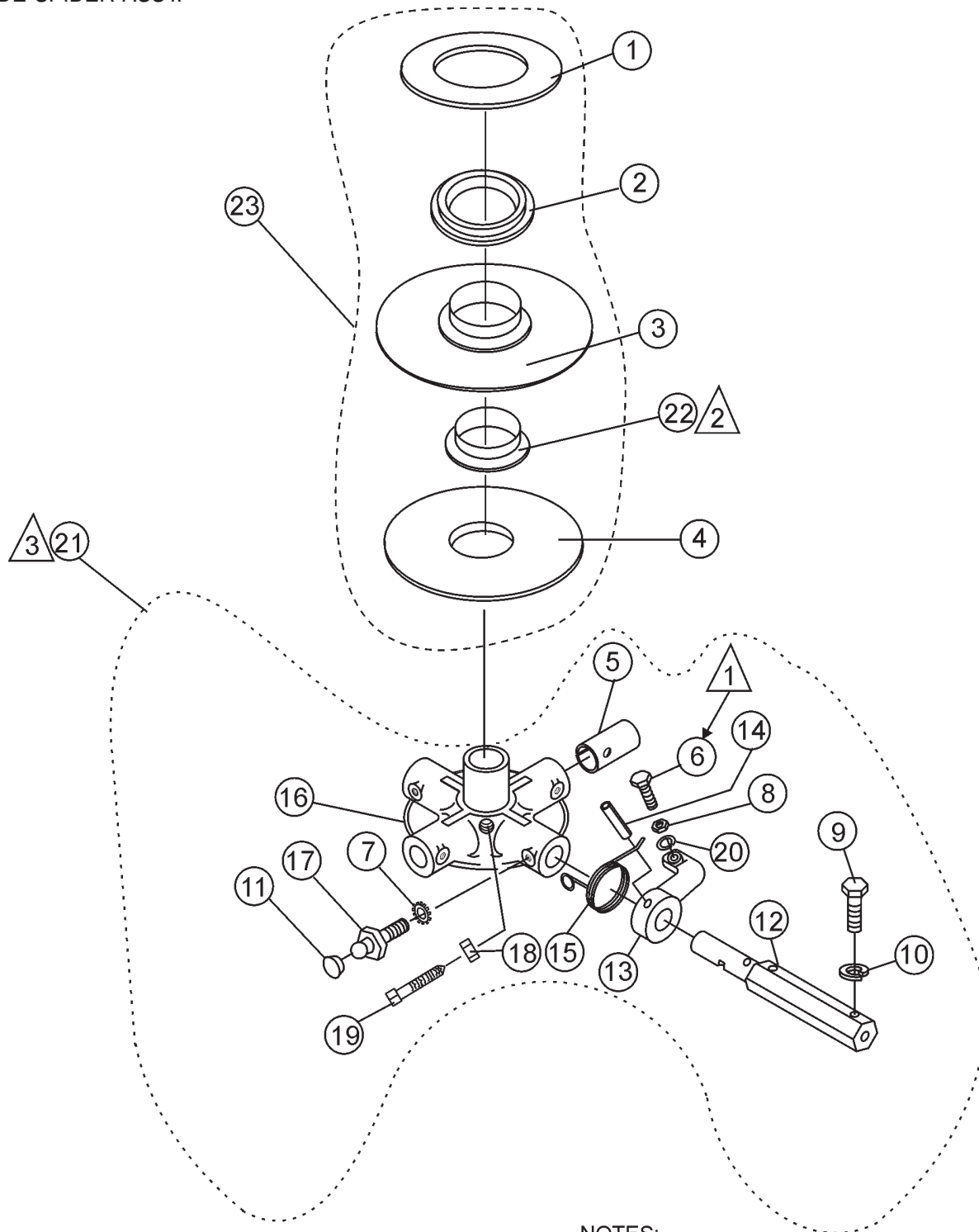
# HPLA/HPHA-SERIES 36" TROWEL — QUICK PITCH™ HANDLE ASSY.

## QUICK PITCH HANDLE ASSY.

<u>NO.</u>	<u>PART NO.</u>	<u>PART NAME</u>	<u>QTY.</u>	<u>REMARKS</u>
41	1736	DECAL, ARROW	1	
42	1718	NUT, QP TRIM CTRL ADJ	1	
43	1732	BOLT, STRIPPER 3/8 X 1/2	1	
44	1717	SCREW, QP TRIM ADJUSTMENT	1	
45	12642	TUBE, MAIN HANDLE	1	
46	1758	DECAL, PATENT QP	1	
47	20845	SWIVEL, ENGINE THROTTLE CABLE	1	
48	21173	HOUSING, THROTTLE CABLE 74"	1	
49		DECAL, CAUTION, LIFT HANDLE .....	1	NO LONGER AVAILABLE
50		HANDLE, LIFT ASSY. ....	1	NO LONGER AVAILABLE
51	20392	BRACKET, LIFT TUBE	1	
52	10133	NUT, NYLOC 3/8-16	1	
53	1116	NUT, BRASS JAM 5/16-18	2	
54	20390	TRIGGER, QP ASSY. ....	1	INCLUDES ITEMS W/*
55	20293	LINKAGE, QP CONTROL ASSY. ....	1	INCLUDES ITEMS W/+
56	20280	BLOCK, CABLE ASSY. ....	1	INCLUDES ITEMS W/#
57		HANDLE ASSY., MAIN. ....	1	CONTACT SALES DEPT.
58	20421	CLEVIS, BALL END CONTROL CABLE	1	
59	A8638	END-BOLT, CNTRL CABLE	1	
60	20271	CABLE, CNTL 5/32 GALV AIRCRAFT 43.19"	1	
61	21172	CABLE, THROTTLE	1	

# HPLA/HPHA-SERIES 36" TROWEL — 4-BLADE SPIDER ASSY.

4-BLADE SPIDER ASSY.



NOTES:

- ① APPLY LOCTITE P/N 1477
- ② INCLUDED WITH ITEM 3 OR CAN BE ORDERED SEPARATELY (P/N 1471).
- ③ SPIDER ASSEMBLY P/N 1215 INCLUDES ALL ITEMS WITHIN OUTLINE.

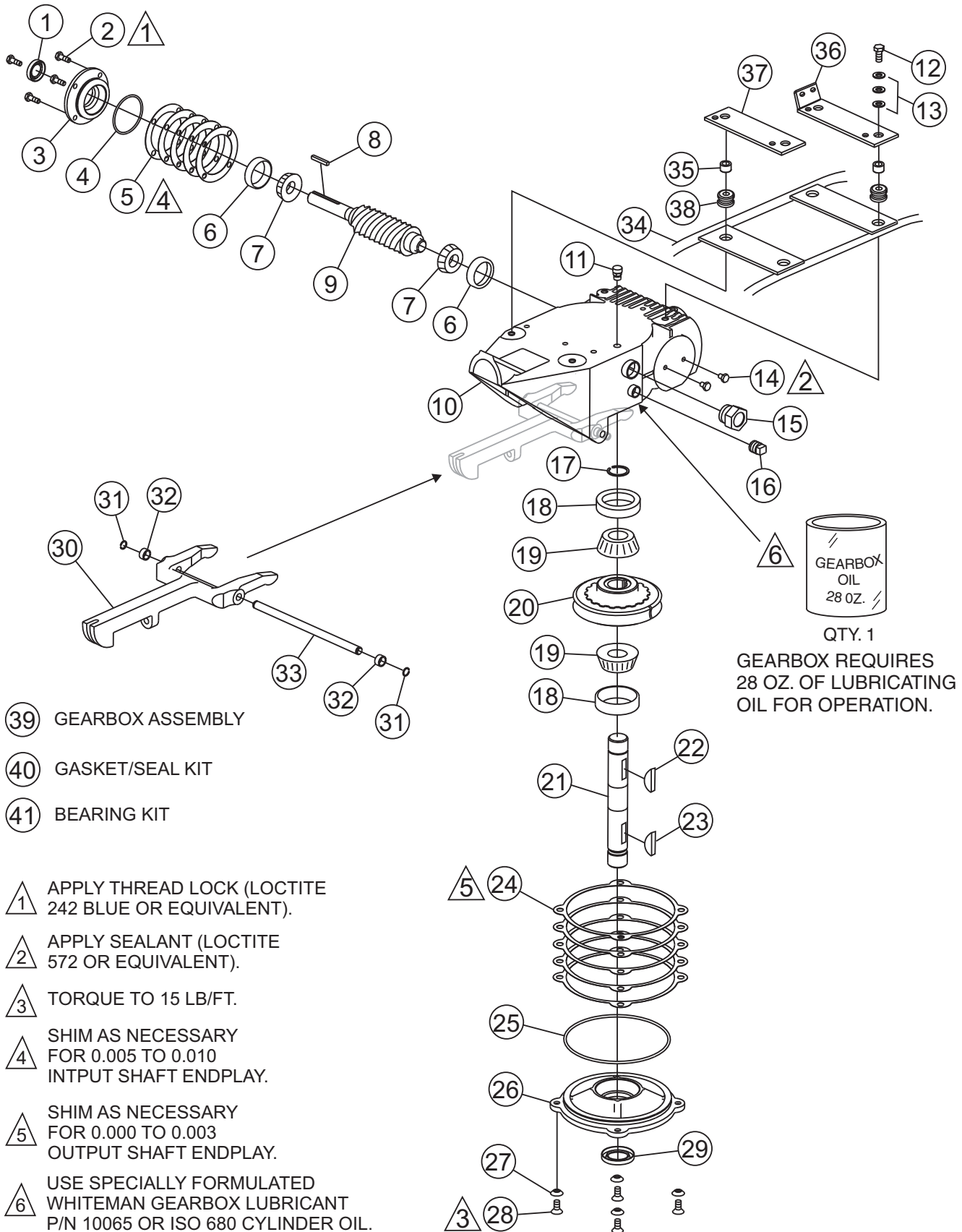
# HPLA/HPHA-SERIES 36" TROWEL — 4-BLADE SPIDER ASSY.

## 4-BLADE SPIDER ASSY.

<u>NO.</u>	<u>PART NO.</u>	<u>PART NAME</u>	<u>QTY.</u>	<u>REMARKS</u>
1*	12208	WEAR RING	1	
2*	12778	FLANGE BEARING	1	
3*	10793	THRUST COLLAR .....	1	INCLUDES ITEMS W/#
4*	1154A	WEAR PLATE	1	
5%	1157A	BEARING INSERT	4	
6%	0164B	RADIUS HEAD 3/8- 16 x 1-1/4"	4	
7%	1875	INT. SHKP. WASHER 3/8"	4	
8%	1876	JAM NUT 3/8- 16	4	
9%	0105	HHCS 5/16- 18 x 1-1/2"	8	
10%	0161C	LOCK WASHER 5/16"	8	
11%	1162A	LUBRA-CAP	4	
12%	2826	TROWEL ARM EXTENDED, 16-1/2"	4	
13%	1163	TROWEL ARM LEVER	4	
14%	4164	ROLL PIN 5/16 x 1-3/4"	4	
15%	1316	SPRING (RIGHT HAND)	4	
16%	1161	SPIDER PLATE ONLY	1	
17%	1322	RETAINING SCREW ASSY.	4	
18%	1456	HEX NUT 3/8-16	1	
19%	1167A	SHSS 3/8-16 x 1-1/2" CONE POINT	1	
20%	0166A	LOCK WASHER 3/8"	4	
21	1215	SPIDER PLATE ASSY. ....	1	INCLUDES ITEMS W/%
22*#	1471	THRUST COLLAR BUSHING	1	
23	10968	THRUST BEARING KIT .....	1	INCLUDES ITEMS W/*

# HPLA/HPHA-SERIES 36" TROWEL — GEARBOX & ENGINE MOUNTS ASSY.

## GEARBOX & ENGINE MOUNTS ASSY.



39 GEARBOX ASSEMBLY

40 GASKET/SEAL KIT

41 BEARING KIT

1 APPLY THREAD LOCK (LOCTITE 242 BLUE OR EQUIVALENT).

2 APPLY SEALANT (LOCTITE 572 OR EQUIVALENT).

3 TORQUE TO 15 LB/FT.

4 SHIM AS NECESSARY FOR 0.005 TO 0.010 INPUT SHAFT ENDPLAY.

5 SHIM AS NECESSARY FOR 0.000 TO 0.003 OUTPUT SHAFT ENDPLAY.

6 USE SPECIALLY FORMULATED WHITEMAN GEARBOX LUBRICANT P/N 10065 OR ISO 680 CYLINDER OIL.

QTY. 1  
GEARBOX REQUIRES 28 OZ. OF LUBRICATING OIL FOR OPERATION.

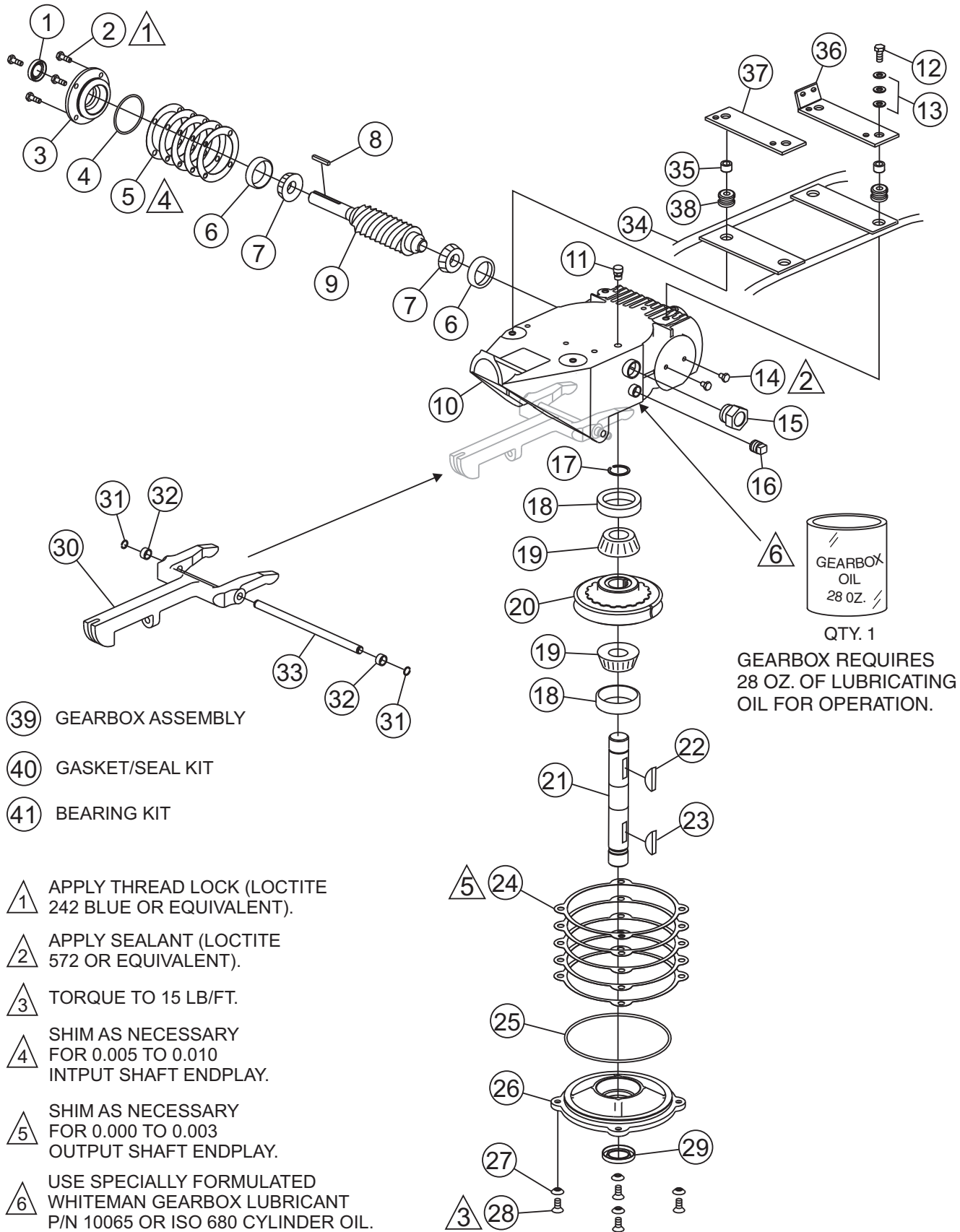
# HPLA/HPHA-SERIES 36" TROWEL — GEARBOX & ENGINE MOUNTS ASSY.

## GEARBOX & ENGINE MOUNTS ASSY.

<u>NO.</u>	<u>PART NO.</u>	<u>PART NAME</u>	<u>QTY.</u>	<u>REMARKS</u>
1%*	0753	SEAL, OIL NATIONAL #470954	1	
2%	0131A	SCREW, HHC 1/4-20 X 3/4	4	
3%	12876	FLANGE, INPUT SHAFT	1	
4%*	20395	RING, O -139 BUNA N	1	
5%*	20397	SHIM, INPUT 0.002 THICK	1	
	20398	SHIM, INPUT 0.003 THICK	1	
	20399	SHIM, INPUT 0.005 THICK	1	
	20400	SHIM, INPUT 0.010 THICK	1	
	20401	SHIM, INPUT 0.020 THICK	1	
6%#	20466	BEARING, CUP, TIMKEN #LM11910	2	
7%#	20465	BEARING, CONE, TIMKEN #LM11949	2	
8%	0627	KEY, SQUARE 3/16 X 1-1/4	1	
9%	1851	GEAR, WORM & SHAFT ASSY.	1	
10%	12874	CASE, GEAR	1	
11%	1132	VENT, AIR	1	
12	0655	SCREW, HHC 5/16-18 X 3/4	1	
13	0300B	WASHER, FLAT 5/16 SAE	3	
14%	20476	SCREW, HHC 1/4-28 X 3/8	2	
15%	21033	SIGHT GLASS, 3/4 M PIPE STEEL	1	
16%	0121A	FITTING, PLUG 3/8 MP SQ HEAD	1	
17%	1138	RING, SNAP, TRUARC 5100-112	1	
18%#	20475	BEARING, CUP TIMKEN #M86610	2	
19%#	20474	BEARING, CONE TIMKEN #M86647	2	
20%	1140	GEAR, WORM, BRONZE	1	
21%	20470	SHAFT, OUTPUT	1	
22%	1139	KEY, WOODRUFF #21 HARDENED	1	
23	1238	KEY, WOODRUFF #25	1	
24%*	20402	SHIM, OUTPUT 0.002 THICK	1	
	20403	SHIM, OUTPUT 0.003 THICK	1	
	20404	SHIM, OUTPUT 0.005 THICK	1	
	20405	SHIM, OUTPUT 0.010 THICK	1	
	20406	SHIM, OUTPUT 0.020 THICK	1	
25%*	20396	RING, O -257 BUNA N	1	
26%	12875	COVER, GEARBOX	1	
27%	10235	WASHER, C/S EXT. SHKP	4	
28%	1146	SCREW, FHSC 5/16-18 X 1, NYLOC NP	4	
29%*	0254	SEAL, OIL, NATIONAL #470712	1	

# HPLA/HPHA-SERIES 36" TROWEL — GEARBOX & ENGINE MOUNTS ASSY.

## GEARBOX & ENGINE MOUNTS ASSY.



**39** GEARBOX ASSEMBLY

**40** GASKET/SEAL KIT

**41** BEARING KIT

**1** APPLY THREAD LOCK (LOCTITE 242 BLUE OR EQUIVALENT).

**2** APPLY SEALANT (LOCTITE 572 OR EQUIVALENT).

**3** TORQUE TO 15 LB/FT.

**4** SHIM AS NECESSARY FOR 0.005 TO 0.010 INPUT SHAFT ENDPLAY.

**5** SHIM AS NECESSARY FOR 0.000 TO 0.003 OUTPUT SHAFT ENDPLAY.

**6** USE SPECIALLY FORMULATED WHITEMAN GEARBOX LUBRICANT P/N 10065 OR ISO 680 CYLINDER OIL.

QTY. 1  
GEARBOX REQUIRES 28 OZ. OF LUBRICATING OIL FOR OPERATION.

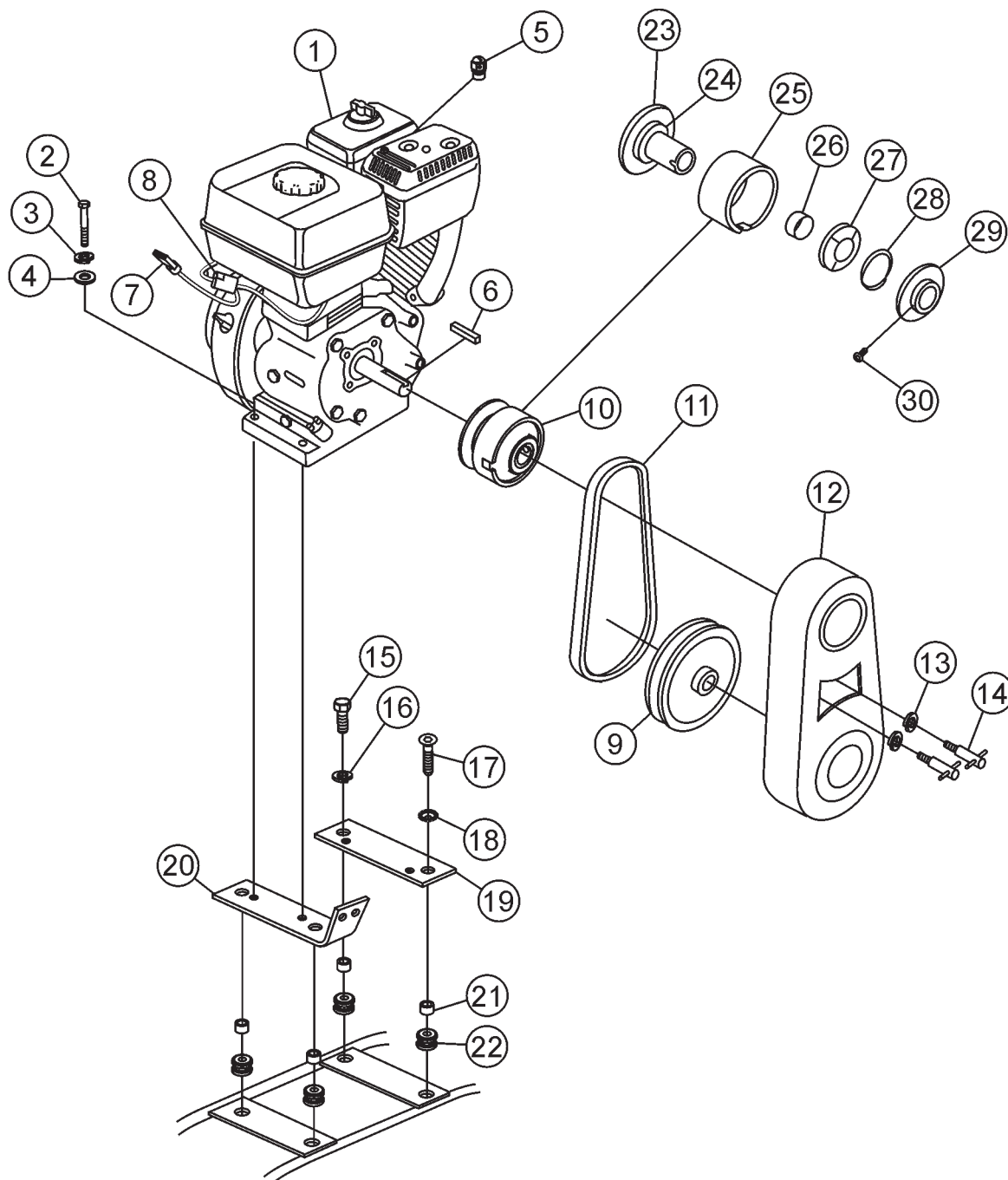
# HPLA/HPHA-SERIES 36" TROWEL — GEARBOX & ENGINE MOUNTS ASSY.

## GEARBOX & ENGINE MOUNTS ASSY.

<u>NO.</u>	<u>PART NO.</u>	<u>PART NAME</u>	<u>QTY.</u>	<u>REMARKS</u>
30	1150	ARM, YOKE	1	
31	20802	RING, SNAP, TRUARC 5100-37 OR EQUIV.	2	
32	20803	SPACER, .50 OD X .40 ID X 0.25L	2	
33	20801	PIN, YOKE	1	
34	20797	STATIONARY GUARD RING	1	
35	1245	BUSHING, GUARD RING	4	
36	10700	FRONT ENGINE MOUNT	1	
37	1948	REAR ENGINE MOUNT	1	
38	1247	GROMMET 1/4 X .875 ID X 1-5/8 OD	4	
40	20407	GEARBOX ASSY. ....	1	INCLUDES ITEMS W/%
41	21046	GASKET/SEAL KIT .....	1	INCLUDES ITEMS W/★
42	21047	BEARING KIT .....	1	INCLUDES ITEMS W/#

# HPLA/HPHA-SERIES 36" TROWEL — ENGINE ASSY.

ENGINE ASSY.



31 LIFT STRAP-  
CONTACT UNIT SALES DEPT./ACC. ITEM



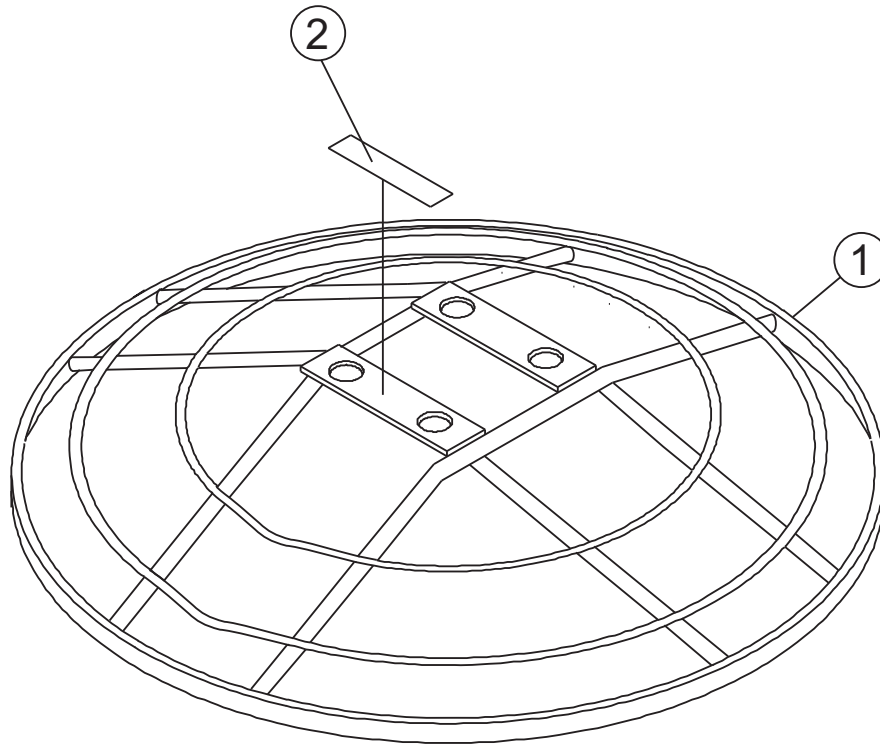
# HPLA/HPHA-SERIES 36" TROWEL — ENGINE HONDA ASSY.

ENGINE ASSY.

<u>NO.</u>	<u>PART NO.</u>	<u>PART NAME</u>	<u>QTY.</u>	<u>REMARKS</u>
1	1387	ENGINE 8HP HONDA	1	
2	1391	HHCS 5/16-24 x 1-1/2"	4	
3	0161C	LOCK WASHER 5/16"	4	
4	0300B	FLAT WASHER 5/16"	4	
5	20845	SWIVEL, THROTTLE CABLE	1	
6	0310	SQUARE KEY 1/4X1/4X1.1/2"	1	
7	1488	WIRE, SAFETY SWITCH	1	
8	1475	CONNECTOR, SPLICE TAP	1	
9	1127	PULLEY, AK-66 X 3/4 .....	1	HPLA3648H
9	0740	PULLEY, AK-51 X 3/4 .....	1	HPHA3648H
10	0250	AUTOMATIC CLUTCH ASSY. ....	1	INCLUDES ITEMS W/*
11	0261	BELT, A31 GATES HPII ONLY .....	1	HPLA3648H
11	152 3	BELT, A28 GATES HPII ONLY .....	1	HPHA3648H
12	1335	BELT GUARD	1	
13	0181B	LOCK WASHER 1/4"	2	
14	2577	T-BOLT 1/4-20	2	
15	1284	SCREW, HHC 3/8 - 16 X 1-1/2	2	
16	0166A	WASHER, LOCK 3/8 MED	2	
17	20982	SCREW, FSCS 3/8 - 16 X 1-1/2	4	
18	1480	WASHER, CS EXT. SHKP 3/8	4	
19	1949	PLATE, REAR 8HP HONDA	1	
20	1958	PLATE, FRONT, 8HP HONDA	1	
21	1245	BUSHING, GUARD RING	4	
22	1247	GROMMET, 1/4 X 7/8ID X 1-5/8OD	4	
23*	0252	SPINDLE 1" BORE	1	
24*	0456	BEARING, SHIELDED	1	
25*	0251	CLUTCH HOUSING DRUM	1	
26*	0458	BUSHING, CLUTCH HSING DRM	1	
27*	B1766	WEIGHT, CLUTCH	4	
28*	0855	SPRING	1	
29*	0253	PLATE, CLUTCH EXPANSION	1	
30*	1868	SCREW, SHS 3/8-24X3/4, NOPLT .....	1	REPLACES P/N 0457
31		LIFT STRAP .....	1	CONTACT UNIT SALES DEPT./ACC.
		.....		ITEM

# HPLA/HPHA-SERIES 36" TROWEL — GUARD RING ASSY.

GUARD RING ASSY.



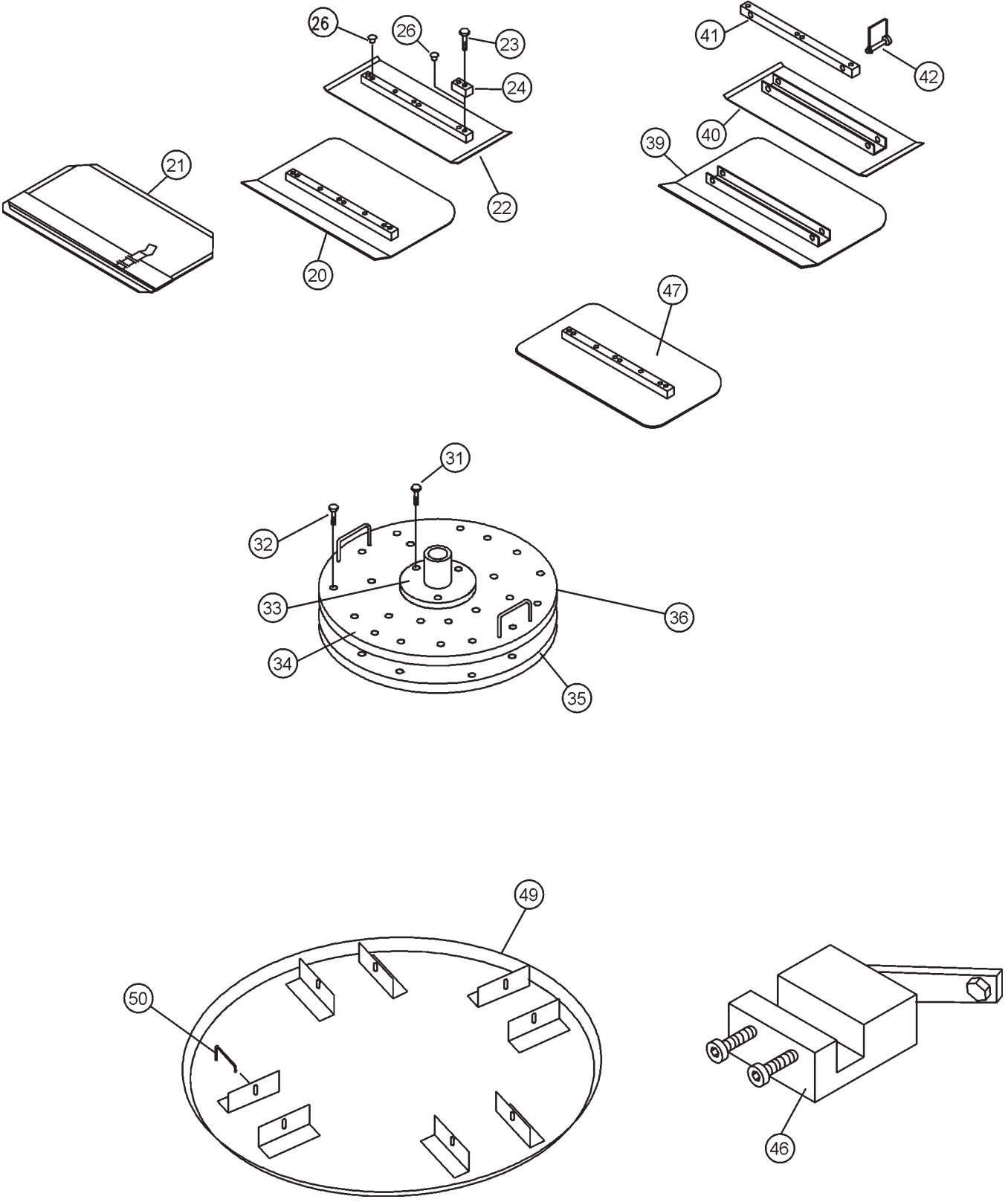
# HPLA/HPHA-SERIES 36" TROWEL — GUARD RING ASSY.

GUARD RING ASSY.

<u>NO.</u>	<u>PART NO.</u>	<u>PART NAME</u>	<u>QTY.</u>	<u>REMARKS</u>
1	20808	GUARD RING ASSEMBLY	1	
2	1940	DECAL	1	

# HPLA/HPHA-SERIES 36" TROWEL — BLADES & ARM ADJ. FIXTURE ASSY.

## BLADES & ARM ADJUSTMENT FIXTURE ASSY.



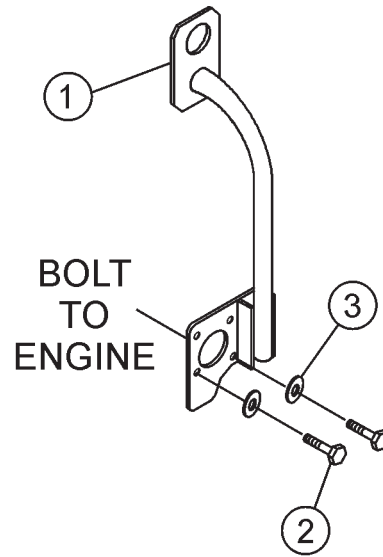
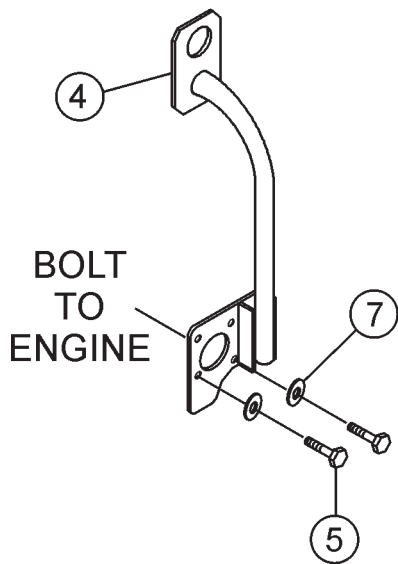
# HPLA/HPHA-SERIES 36" TROWEL — BLADES & ARM ADJ. FIXTURE ASSY.

## BLADES & ARM ADJUSTMENT FIXTURE ASSY.

<u>NO.</u>	<u>PART NO.</u>	<u>PART NAME</u>	<u>QTY.</u>	<u>REMARKS</u>
20		COMBO FLOAT & FINISH BLADE .....	4 .....	CONTACT UNIT SALES DEPT./ACC. ITEM
20		ENDURO COMBO FLOAT & FINISH BLADE .	4 .....	CONTACT UNIT SALES DEPT./ACC. ITEM
21		FLOAT BLADE .....	4 .....	CONTACT UNIT SALES DEPT./ACC. ITEM
22		FINISH BLADE .....	4 .....	CONTACT UNIT SALES DEPT./ACC. ITEM
22		ENDURO FINISH BLADE W/ROTATING .....	4 .....	CONTACT UNIT SALES DEPT./ACC. ITEM
23	0202	HHCS 5/16-18X1" RING	4	
24	0201	GUARD RING LUG RING	4	
26	1434	TROWEL LUG (FINISH BLADE ONLY)	4	
27	1162A	LUBRA-CAP	4	
28	7281	STABILIZER RING 14 1/2" ARM	1	
29	6014C	HEX NUT 5/16-24	8	
30	1237	HHCS 5/16-18X7/8" NY-LOC	4	
31	0490	SHCS 7/16-14X1"	3	
32	0487	SHCS 3/8-16X1/2"	20	
33	0489	GRINDING DISC HUB	1	
34	0488	STONE MOUNT PLATE	1	
35		GRINDING DISC STONE ONLY .....	1 .....	CONTACT UNIT SALES DEPT./ACC. ITEM
36		GRINDING DISC ASSY. ....	1 .....	CONTACT UNIT SALES DEPT./ACC. ITEM
39		UNIVERSAL COMBO BLADE .....	4 .....	CONTACT UNIT SALES DEPT./ACC. ITEM
39		ENDURO UNIVERSAL COMBO BLADE .....	4 .....	CONTACT UNIT SALES DEPT./ACC. ITEM
40		UNIVERSAL FINISH BLADE .....	4 .....	CONTACT UNIT SALES DEPT./ACC. ITEM
40		ENDURO UNIVERSAL FINISH BLADE .....	4 .....	CONTACT UNIT SALES DEPT./ACC. ITEM
41		UNIVERSAL MOUNTING BAR .....	4 .....	CONTACT UNIT SALES DEPT./ACC. ITEM
42		SNAP PIN 1/4"X1.3/4" .....	8 .....	CONTACT UNIT SALES DEPT./ACC. ITEM
44	0166A	LOCK WASHER 3/8"	4	
46		TROWEL ARM ADJ. FIXTURE ASSY. ....	1 .....	CONTACT UNIT SALES DEPT./ACC. ITEM
47		REVERSIBLE COMBO BLADE .....	4 .....	CONTACT UNIT SALES DEPT./ACC. ITEM
48	1723	MALE R.H. ROD END 5/16"	1	
49		FLOAT DISC .....	1 .....	CONTACT UNIT SALES DEPT./ACC. ITEM
50		FLOAT DISC LATCH PIN .....	4 .....	CONTACT UNIT SALES DEPT./ACC. ITEM

# HPLA/HPHA-SERIES 36" TROWEL — LIFTING BAIL ASSY. (OPTION)

LIFTING BAIL ASSY. (OPTION)



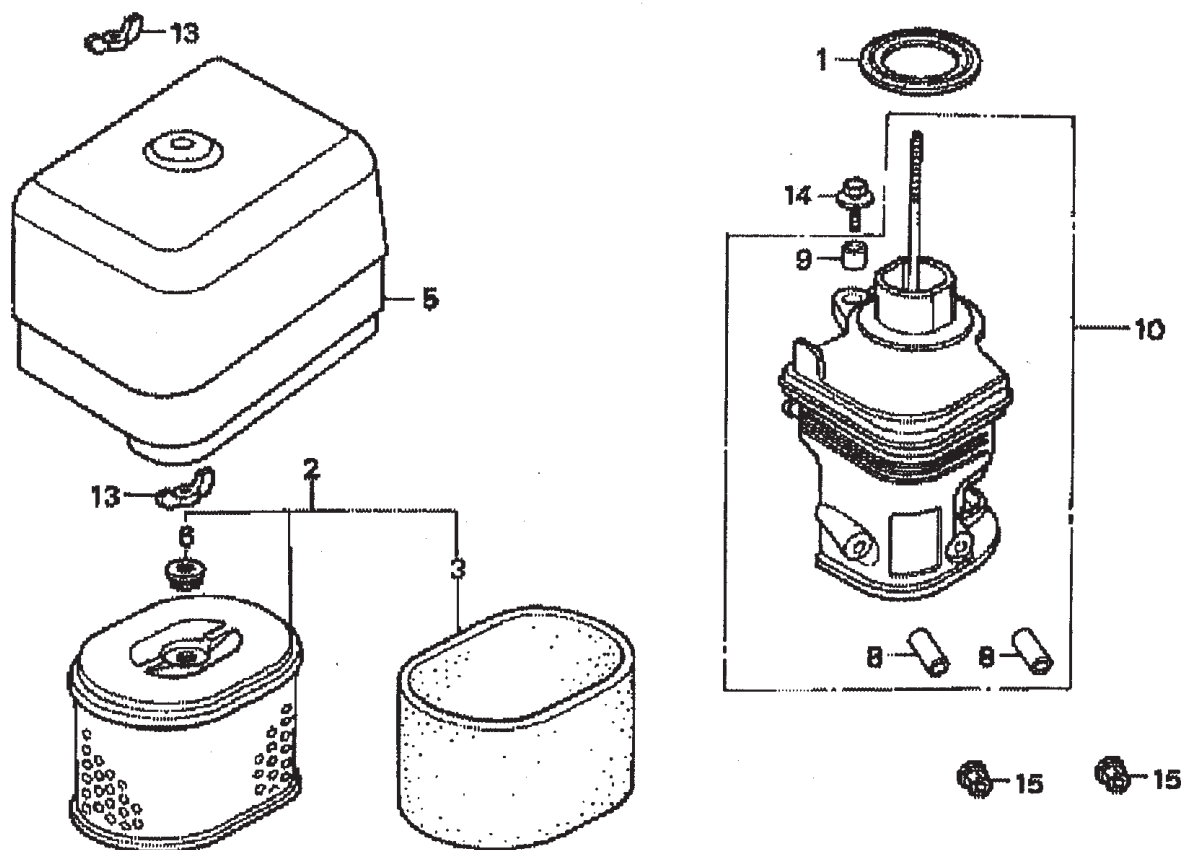
# HPLA/HPHA-SERIES 36" TROWEL — LIFTING BAIL ASSY. (OPTION)

## LIFTING BAIL ASSY. (OPTION)

<u>NO.</u>	<u>PART NO.</u>	<u>PART NAME</u>	<u>QTY.</u>	<u>REMARKS</u>
1		LIFTING BAIL ASSY. ....	1	CONTACT UNIT SALES DEPT./ACC. ITEM
2	10229	HHCS 5/16-24X1"	4	
3	0161C	LOCK WASHER 5/16"	4	
4		LIFTING BAIL ASSY. ....	1	CONTACT UNIT SALES DEPT./ACC. ITEM
5	0205	HHCS 3/8-16X1"	3	
6	1394	FHSCS 3/8-16X1"	1	
7	0166A	LOCK WASHER 3/8"	3	

# HONDA GX240K1QA2 ENGINE — AIR CLEANER ASSY.

AIR CLEANER ASSY.





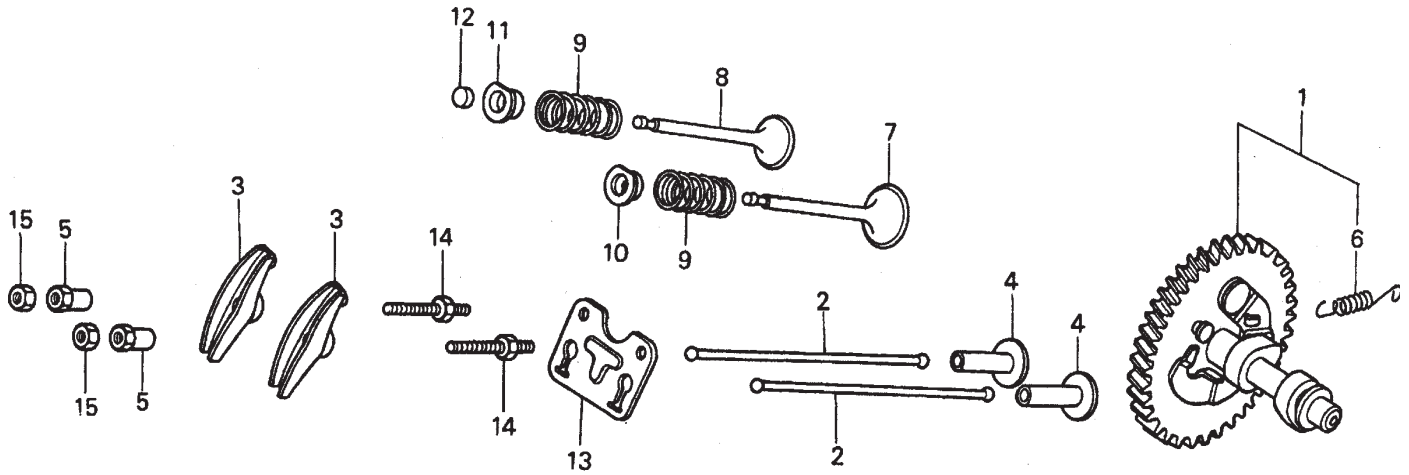
# HONDA GX240K1QA2 ENGINE — AIR CLEANER ASSY.

AIR CLEANER ASSY.

<u>NO.</u>	<u>PART NO.</u>	<u>PART NAME</u>	<u>QTY.</u>	<u>REMARKS</u>
1	16271ZE2000	GASKET, ELBOW	1	
2	17210ZE2822	ELEMENT, AIR CLEANER, DUAL .....	1 .....	INCLUDES ITEMS W/*
3*	17218ZE2505	FILTER, OUTER	1	
5	17231ZH9820	COVER, AIR CLEANER	1	
6	17232891000	GROMMET, AIR CLEANER	1	
8%	17238ZE2310	COLLAR, AIR CLEANER	2	
9%	17239ZE1000	COLLAR B, AIR CLEANER	1	
10	17410ZE2020	ELBOW COMP., AIR CLEANER .....	1 .....	INCLUDES ITEMS W/%
13	90325044000	WINGNUT, TOOL BOX SETTING	2	
14	90009ZE2003	BOLT- WASHER 6 X 22	1	
15	9405006000	NUT, FLANGE 6MM	2	

# HONDA GX240K1QA2 ENGINE — CAMSHAFT ASSY.

CAMSHAFT ASSY.



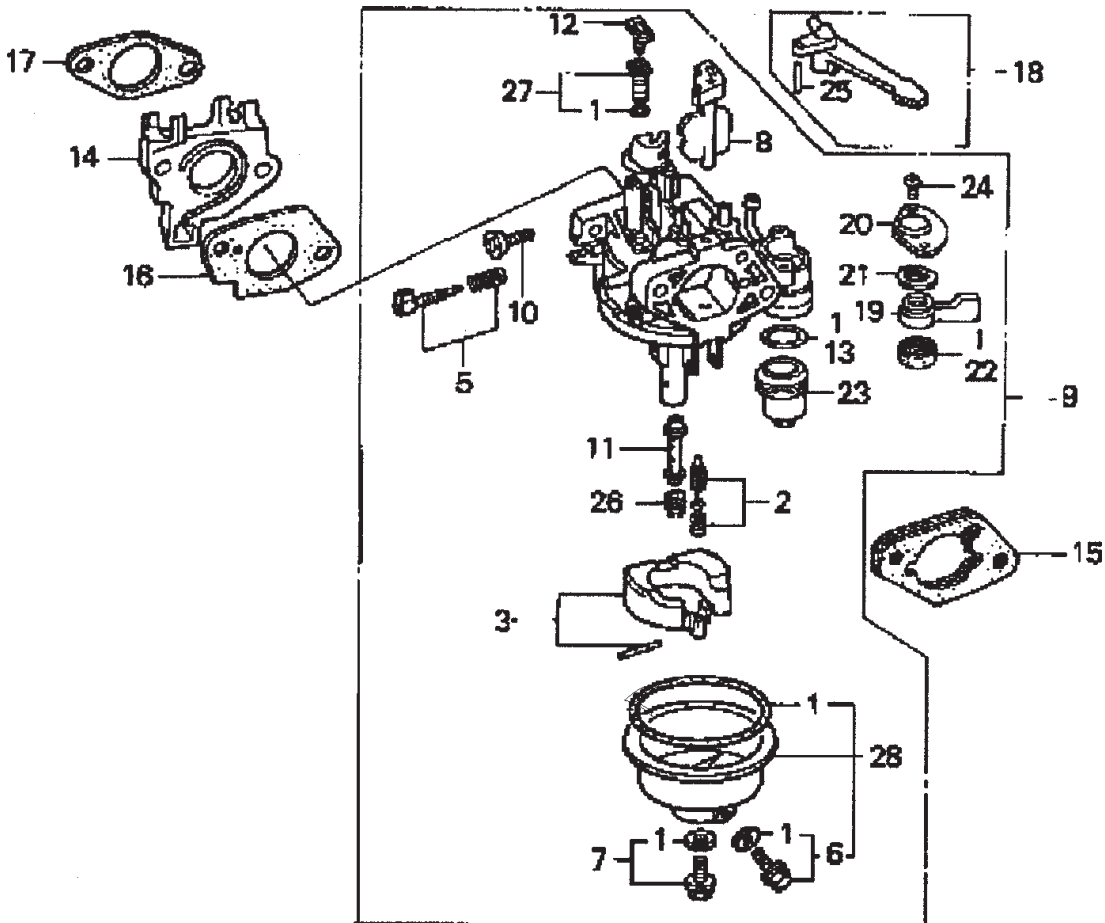
# HONDA GX240K1QA2 ENGINE — CAMSHAFT ASSY.

## CAMSHAFT ASSY.

<u>NO.</u>	<u>PART NO.</u>	<u>PART NAME</u>	<u>QTY.</u>	<u>REMARKS</u>
1	14100ZE2W01	CAMSHAFT ASSY. ....	1	INCLUDES ITEMS W/*
2	14410ZE2013	ROD PUSH	2	
3	14431ZE2010	ARM VALVE ROCKER	2	
4	14441ZE2000	LIFTER VALVE	2	
5	14451ZE1013	PIVOT ROCKER ARM	2	
6*	14568ZE1000	SPRING, WEIGHT RETURN	1	
7	14711ZE2000	VALVE, IN.	1	
8	14721ZE2000	VALVE, EX.	1	
9	14751ZE2003	SPRING, VALVE	2	
10	14771ZE2000	RETAINER, IN. VALVE SPRING	1	
11	14773ZE2000	RETAINER, EX. VALVE SPRING	1	
12	14781ZE2000	ROTATOR, VALVE	1	
13	14791ZE2010	PLATE, PUSH ROD GUIDE	1	
14	90012ZE0010	BOLT, PIVOT 8MM	2	
15	90206ZE1000	NUT, PIVOT ADJ.	2	

# HONDA GX240K1QA2 ENGINE — CARBURETOR ASSY.

CARBURETOR ASSY.



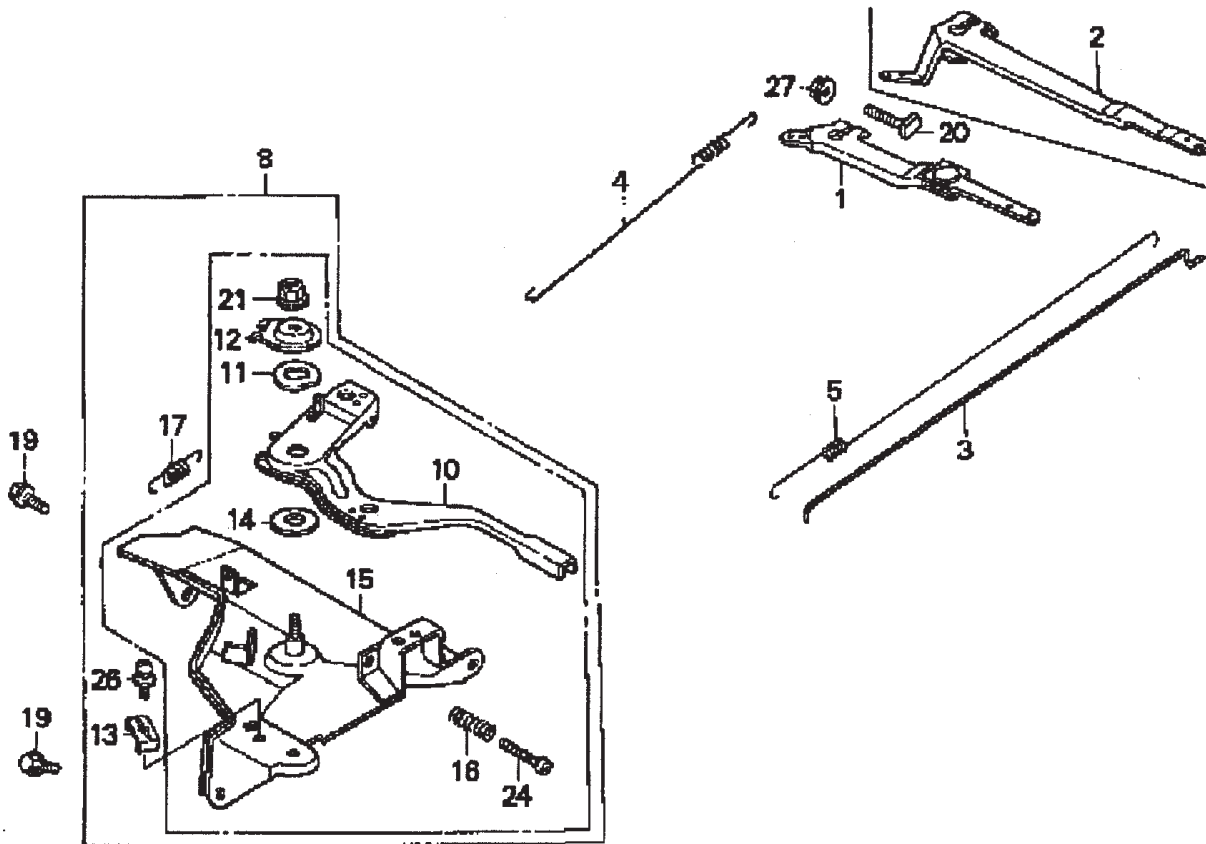
# HONDA GX240K1QA2 ENGINE — CARBURETOR ASSY.

## CARBURETOR ASSY.

<u>NO.</u>	<u>PART NO.</u>	<u>PART NAME</u>	<u>QTY.</u>	<u>REMARKS</u>
1* %+	16010ZE2812	GASKET SET	1	
2*	16011ZA0931	VALVE SET, FLOAT	1	
3*	16013ZA0931	FLOAT SET	1	
5*	16016ZHW01	SCREW SET	1	
6*+	16024ZE1811	SCREW SET, DRAIN	1	
7*	16028ZE0005	SCREW SET B	1	
8*	16028ZE2005	CHOKE SET	1	
9	16100ZE2W71	CARBURETOR ASSY.....	1	INCLUDES ITEMS W/*
10*	16124ZE0005	SCREW, THROTTLE STOP	1	
11*	16166ZE2W70	NOZZLE, MAIN	1	
12*	16172ZE3W10	COLLAR, SET	1	
13*	16173001004	O-RING	1	
14	16211ZE2000	INSULATOR, CARBURETOR	1	
15	16220ZA0702	SPACER COMP., CARBURETOR	1	
16	16221ZA0800	GASKET, CARBURETOR	1	
17	16223ZA0800	GASKET, INSULATOR	1	
18	16610ZE1000	LEVER COMP., CHOKE, STD. ....	1	INCLUDES ITEMS W/■
19*	16953ZE1812	LEVER, VALVE	1	
20*	16954ZE1811	PLATE, LEVER SETTING	1	
21*	16956ZE1811	SPRING, VALVE LEVER	1	
22*	16957ZE1812	GASKET, VALVE	1	
23*	16967ZE0811	CUP, FUEL STRAINER	1	
24	93500030060H	SCREW, PAN 3 X 6	2	
25■	9430520122	PIN, SPRING 2 X 12	1	
26	99101ZH80820	JET, MAIN #82, OPTIONAL	1	
26	99101ZH80850	JET, MAIN #85, OPTIONAL	1	
26*	99101ZH80880	JET, MAIN #88	1	
27*	99204ZE20400	JET SET, PILOT #40 .....	1	INCLUDES ITEMS W/ %
28*	16015ZE8005	CHAMBER SET, FLOAT .....	1	INCLUDES ITEMS W/+

# HONDA GX240K1QA2 ENGINE — CONTROL ASSY.

CONTROL ASSY.



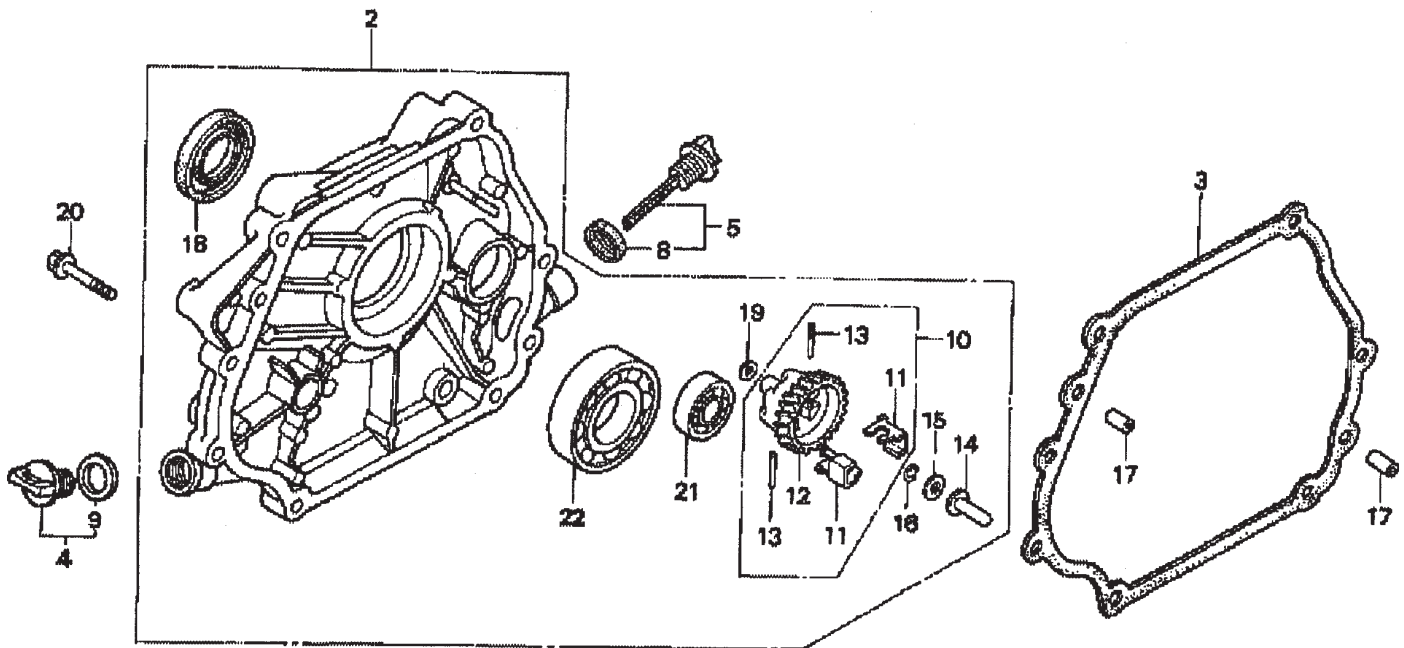
# HONDA GX240K1QA2 ENGINE — CONTROL ASSY.

## CONTROL ASSY.

<u>NO.</u>	<u>PART NO.</u>	<u>PART NAME</u>	<u>QTY.</u>	<u>REMARKS</u>
1	16550ZE2700	ARM, GOVERNOR	1	
2	16551ZE2000	ARM, GOVERNOR	1	
3	16555ZE2000	ROD, GOVERNOR	1	
4	16561ZE2000	SPRING, GOVERNOR	1	
5	16562ZE2000	SPRING, THROTTLE RETURN	1	
8	16570ZE2W20	CONTROL ASSY., REMOTE .....	1	INCLUDES ITEMS W/*
10*	16571ZE2W00	LEVER, CONTROL	1	
11*	16574ZE1000	SPRING, LEVER	1	
12*	16575ZE2W00	WASHER, CONTROL LEVER	1	
13*	16576891000	HOLDER, CABLE	1	
14*	16578ZE1000	SPACER, CONTROL LEVER	1	
15*	16581ZE2W00	BASE COMP., CONTROL	1	
16*	16584883300	SPRING, CONTROL ADJUSTING	1	
17*	16592883310	SPRING, CABLE RETURN	1	
19	90013883000	BOLT, FLANGE 6 X 12 CT200	2	
20	90015ZE5010	BOLT, GOVERNOR ARM	1	
21	90114SA0000	NUT, SELF-LOCK 6MM	1	
24*	93500050280A	SCREW, PAN 5 X 28	1	
26*	93500050160A	SCREW, PAN 5 X 16	1	
27	9405006000	NUT, FLANGE 6MM	1	

# HONDA GX240K1QA2 ENGINE — CRANKCASE COVER ASSY.

CRANKCASE COVER ASSY.





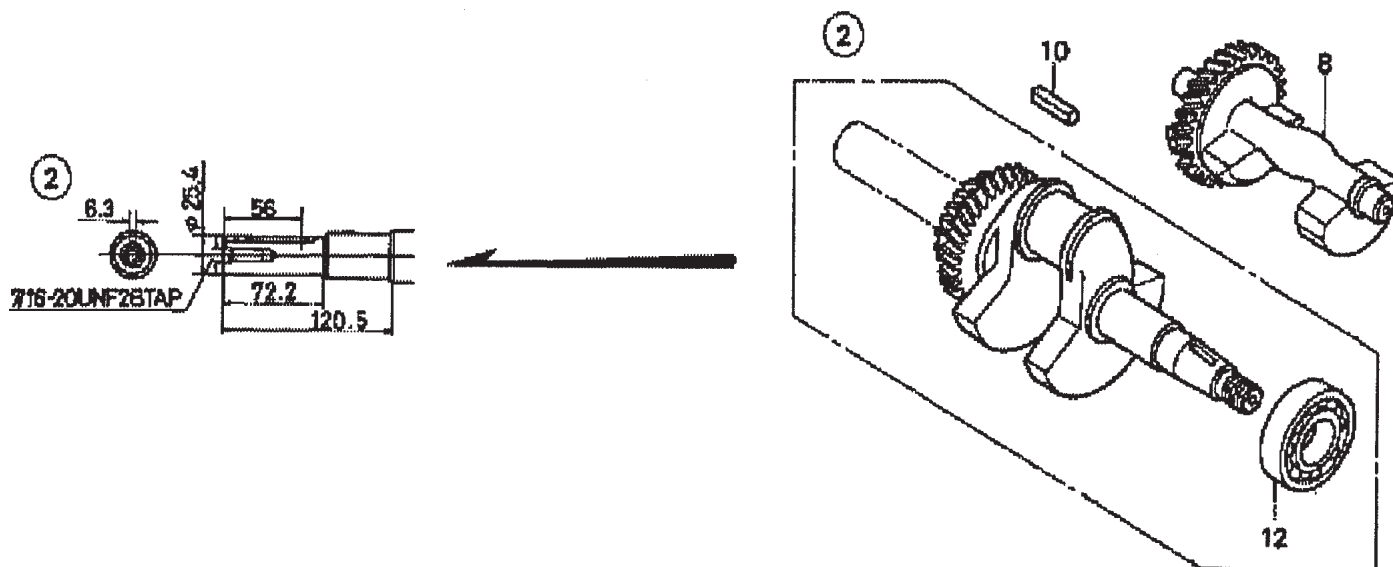
# HONDA GX240K1QA2 ENGINE — CRANKCASE COVER ASSY.

## CRANKCASE COVER ASSY.

<u>NO.</u>	<u>PART NO.</u>	<u>PART NAME</u>	<u>QTY.</u>	<u>REMARKS</u>
2	11400ZE2601	COVER ASSY., CRANKCASE .....	1 .....	INCLUDES ITEMS W/*
3	11381ZE2801	GASKET, CASE COVER	1	
4	15600ZG4003	CAP ASSY., OIL FILLER .....	1 .....	INCLUDES ITEMS W/%
5	15600735003	CAP ASSY., OIL FILLER .....	1 .....	INCLUDES ITEMS W/+
8+	15625ZE1000	GASKET, OIL FILLER CAP	1	
9%	15625ZE1003	GASKET, OIL FILLER CAP	1	
10*	16510ZE2811	GOVERNOR ASSY., BALANCER .....	1 .....	INCLUDES ITEMS W/\$
11*\$	16511ZE2000	WEIGHT, GOVERNOR	2	
12*\$	16512ZE2811	HOLDER, GOVERNOR WEIGHT	1	
13*\$	16513ZE2000	PIN, GOVERNOR WEIGHT	2	
14*	16531ZE2000	SLIDER, GOVERNOR	1	
15*	90473147000	WASHER 6 X 16	1	
16*	90602ZE1000	CLIP, GOVERNOR HOLDER	1	
17	90701HC4000	PIN, DOWEL 8 X 12	2	
18*	91201890003	OIL SEAL 30 X 46 X 8	1	
19*	9410106800	WASHER, PLAIN 6MM	1	
20	957010803500	BOLT, FLANGE 8 X 35	7	
21*	961006202000	BEARING, RADIAL BALL 6202	1	
22*	961006206000	BEARING, RADIAL BALL 6206		

# HONDA GX240K1QA2 ENGINE — CRANKSHAFT ASSY.

CRANKSHAFT ASSY.



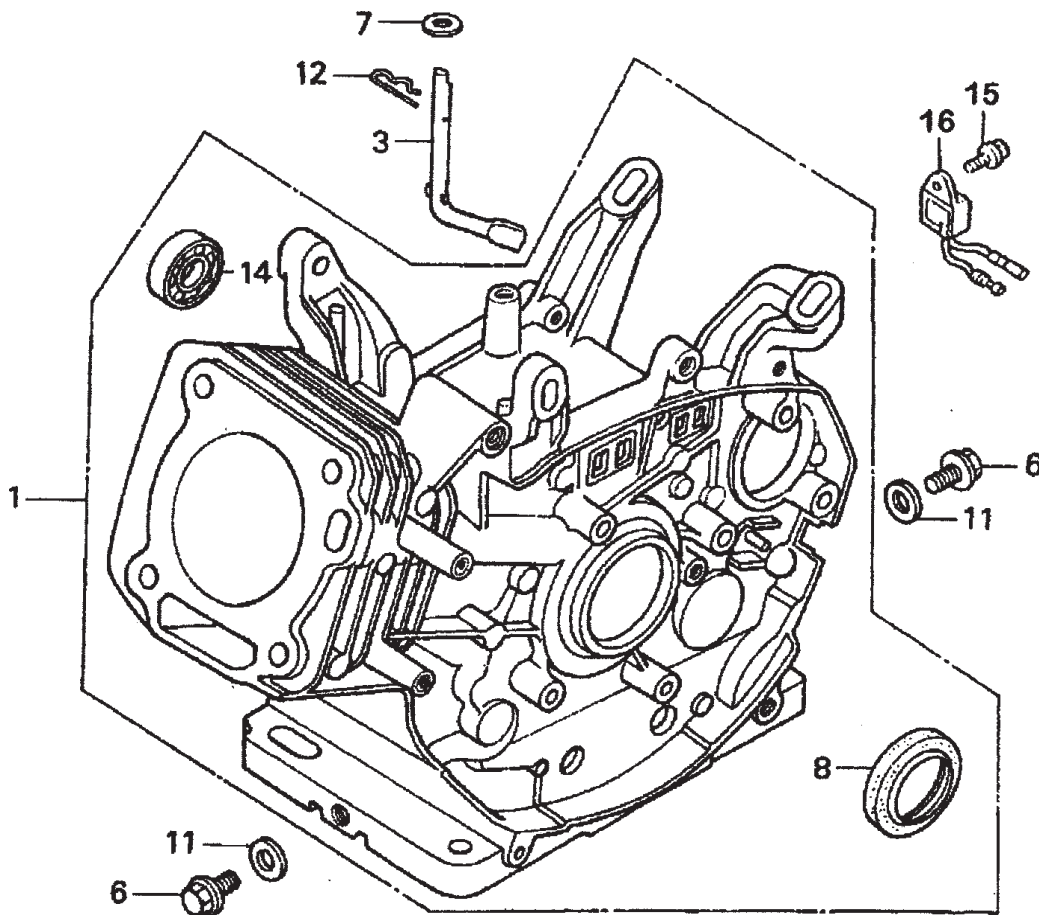
# HONDA GX240K1QA2 ENGINE — CRANKSHAFT ASSY.

## CRANKSHAFT ASSY.

<u>NO.</u>	<u>PART NO.</u>	<u>PART NAME</u>	<u>QTY.</u>	<u>REMARKS</u>
2	13320ZE2601	CRANKSHAFT COMP., Q- TYPE .....	1 .....	INCLUDES ITEMS W/*
8	13351ZE2010	WEIGHT, BALANCER	1	
10	90745ZE2600	KEY 6.3 X 6.3 X 43	1	
12*	961006206000	BEARING, RADIAL BALL 6206	1	

# HONDA GX240K1QA2 ENGINE — CYLINDER BARREL ASSY.

CYLINDER BARREL ASSY.



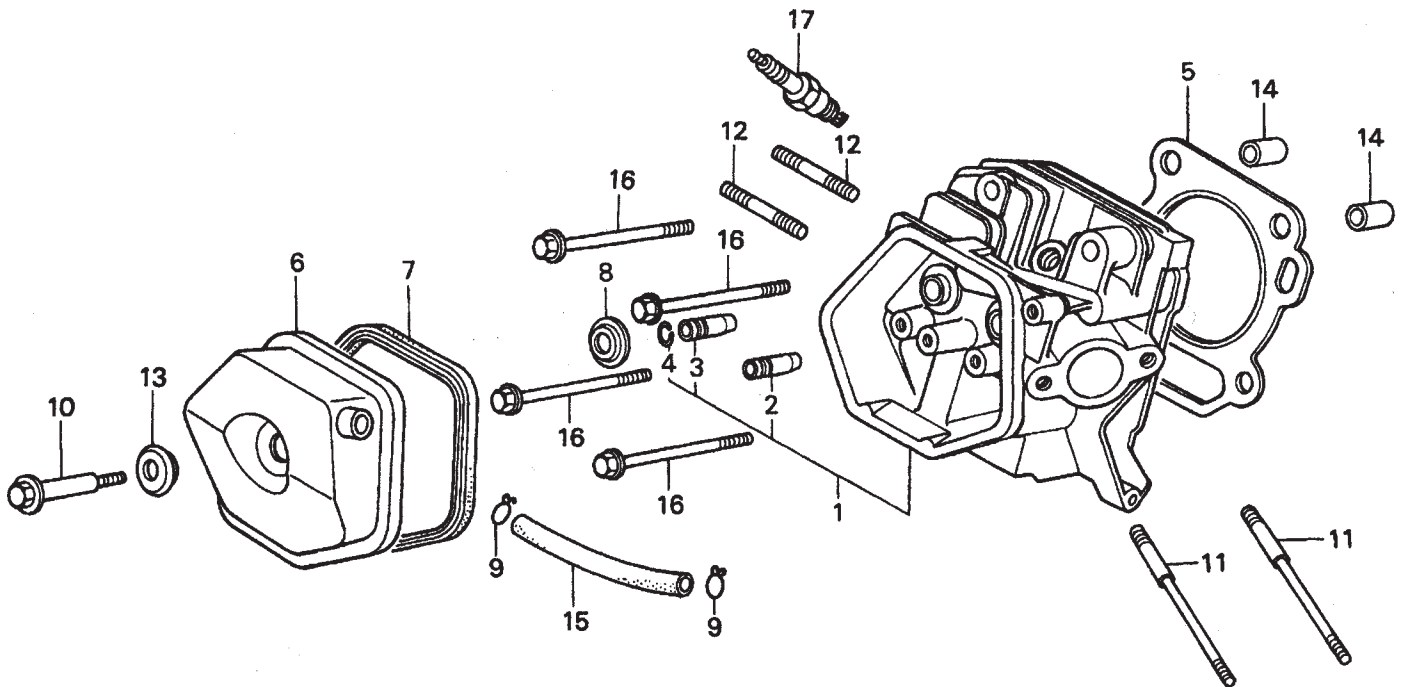
# HONDA GX240K1QA2 ENGINE — CYLINDER BARREL ASSY.

## CYLINDER BARREL ASSY.

<u>NO.</u>	<u>PART NO.</u>	<u>PART NAME</u>	<u>QTY.</u>	<u>REMARKS</u>
1	12000ZE2834	CYLINDER ASSY., BALANCER + OIL ALERT	1	INCLUDES ITEMS W/*
3	16541ZE2010	SHAFT, GOVERNOR ARM	1	
6	90131896650	BOLT, DRAIN PLUG	2	
7	90446KE1000	WASHER 8.2 X17X0.8	1	
8*	91201890003	OIL SEAL 30X46X8	1	
11	9410912000	WASHER, DRAIN PLUG 12MM	2	
12	9425110000	PIN, LOCK 10MM	1	
14*	961006202000	BEARING, RADIAL BALL 6202	1	
15	90013883000	BOLT, FLANGE 6X12 CT200	1	
16	34150ZH7003	ALERT UNIT, OIL	1	

# HONDA GX240K1QA2 ENGINE — CYLINDER HEAD ASSY.

CYLINDER HEAD ASSY.



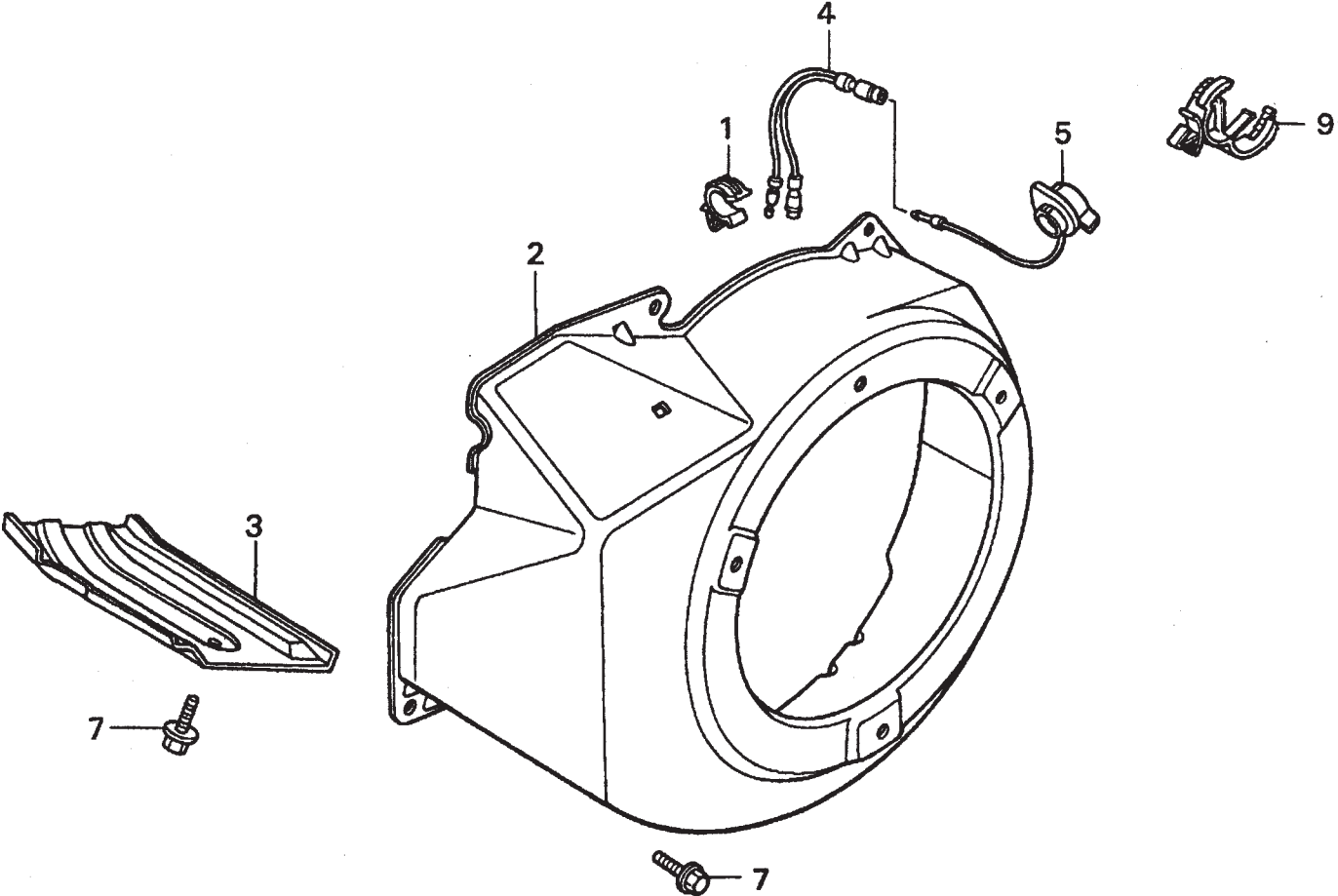
# HONDA GX240K1QA2 ENGINE — CYLINDER HEAD ASSY.

## CYLINDER HEAD ASSY.

<u>NO.</u>	<u>PART NO.</u>	<u>PART NAME</u>	<u>QTY.</u>	<u>REMARKS</u>
1	12200ZH9000	CYLINDER HEAD COMP. ....	1	INCLUDES ITEMS W/*
2*	12204ZE2306	GUIDE, VALVE, OS, OPTIONAL	1	
3*	12205ZE2305	GUIDE, EX. VALVE, OS, OPTIONAL	1	
4*	12216ZE2300	CLIP, VALVE GUIDE	1	
5	12251ZE2800	GASKET, CYLINDER HEAD	1	
6	12310ZE2020	COVER COMP., HEAD	1	
7	12391ZE2020	GASKET, CYLINDER HEAD COVER	1	
8	14775ZE2010	SEAT, VALVE SPRING	1	
10	90014ZE2000	BOLT, HEAD COVER	1	
11	90042ZE2000	BOLT, STUD 8X123	2	
12	92900080320E	BOLT 2, STUD 8X32	2	
13	90441ZE2010	WASHER COMP., HEAD COVER	1	
14	9430112200	PIN A, DOWEL 12X20	2	
15	950051100130M	BULK HOSE, VACUUM 11X1000, 11X100	1	
16	957011008000	BOLT, FLANGE 10X80	4	
17	9807955846	SPARK PLUG, BPR5ES, NGK	1	
17	9807955855	SPARK PLUG, W16EPR-U, DENSO, OPTIONAL	1	
17	9807956846	SPARK PLUG, BPR6ES, NGK	1	
17	9807956855	SPARK PLUG, W20EPR-U, DENSO	1	

# HONDA GX240K1QA2ENGINE — FAN COVER ASSY.

FAN COVER ASSY.





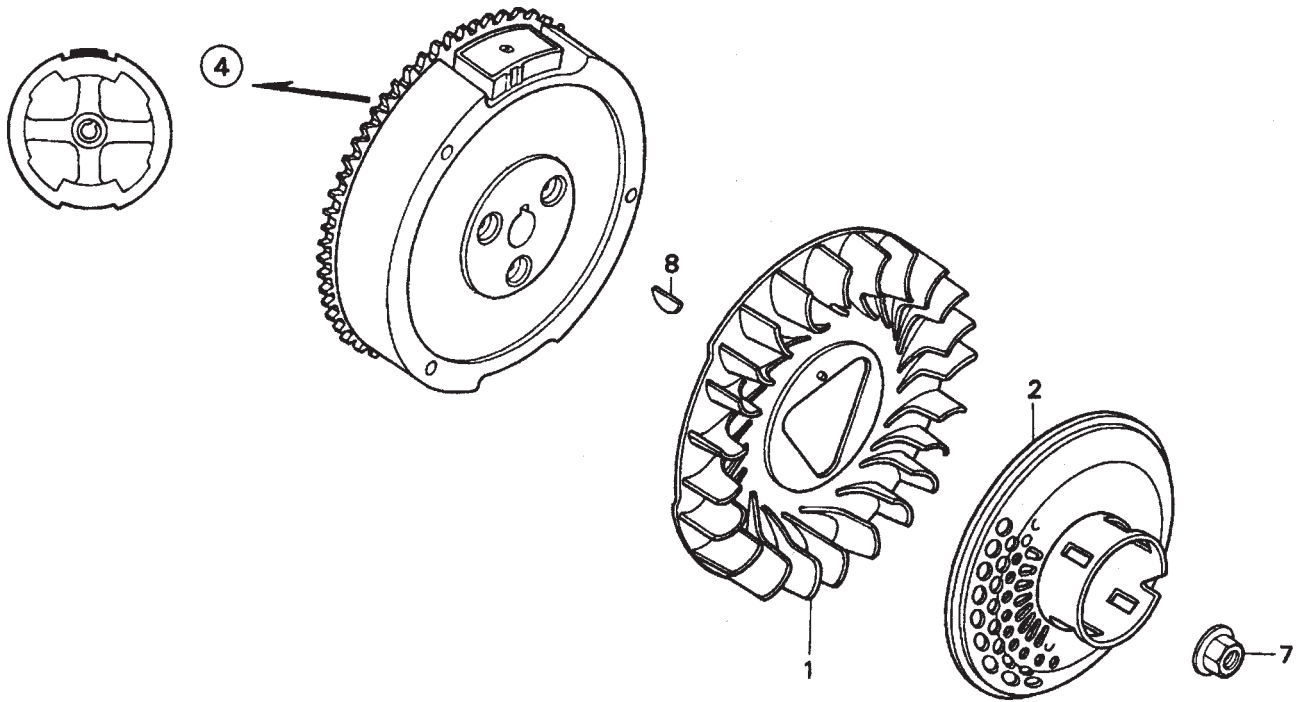
## HONDA GX240K1QA2ENGINE — FAN COVER ASSY.

FAN COVER ASSY.

<u>NO.</u>	<u>PART NO.</u>	<u>PART NAME</u>	<u>QTY.</u>	<u>REMARKS</u>
1	16731ZE2003	CLIP, TUBE	1	
2	19610ZE2010ZC	COVER COMP., FAN *NH1* BLACK	1	
3	19631ZE2D00	SHROUD	1	
4	32197ZH8003	SUB-HARNESS	1	
5	36100ZH7003	SWITCH ASSY., ENGINE STOP	1	
7	90013883000	BOLT, FLANGE 6X12, CT200	6	
9	90684ZA0601	CLIP, WIRE HARNESS	1	

# HONDA GX240K1QA2 ENGINE — FLYWHEEL ASSY.

FLYWHEEL ASSY.



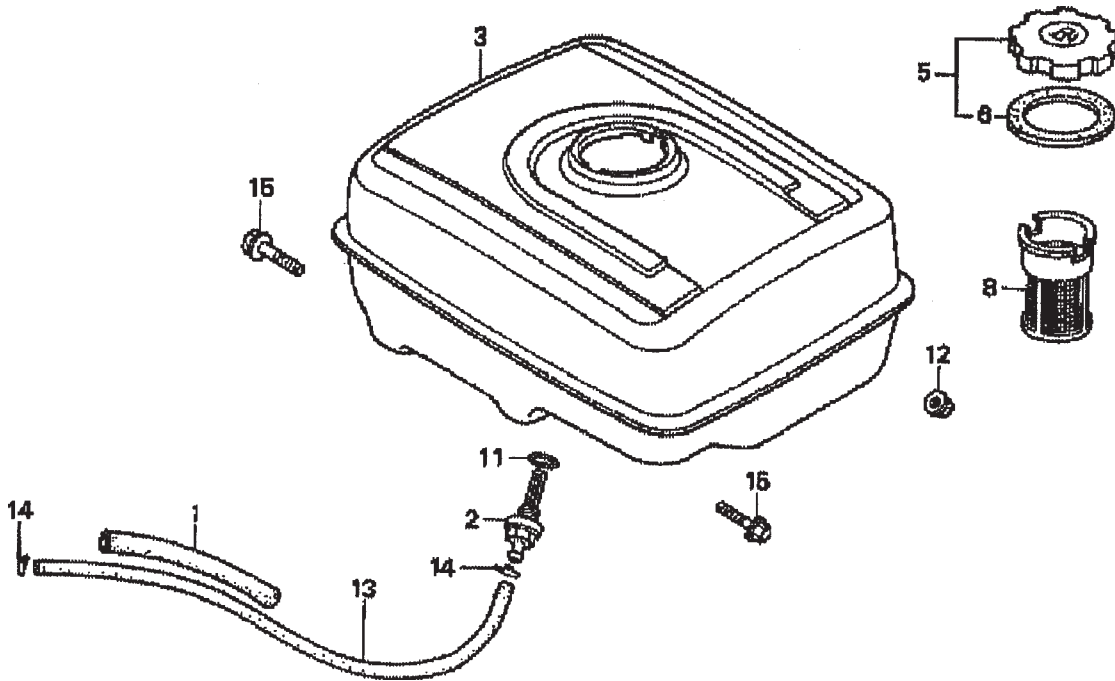
## HONDA GX240K1QA2 ENGINE — FLYWHEEL ASSY.

FLYWHEEL ASSY.

<u>NO.</u>	<u>PART NO.</u>	<u>PART NAME</u>	<u>QTY.</u>	<u>REMARKS</u>
1	19511ZE2000	FAN, COOLING	1	
2	28450ZE2W11	PULLEY COMP., STARTER, SCREEN GRID	1	
4	31100ZE2010	FLYWHEEL COMP.	1	
7	90201ZE3V00	NUT, SPECIAL 16MM	1	
8	90741ZE2000	KEY, SPECIAL WOODRUFF 25X18	1	

# HONDA GX240K1QA2ENGINE — FUEL TANK ASSY.

FUEL TANK ASSY.



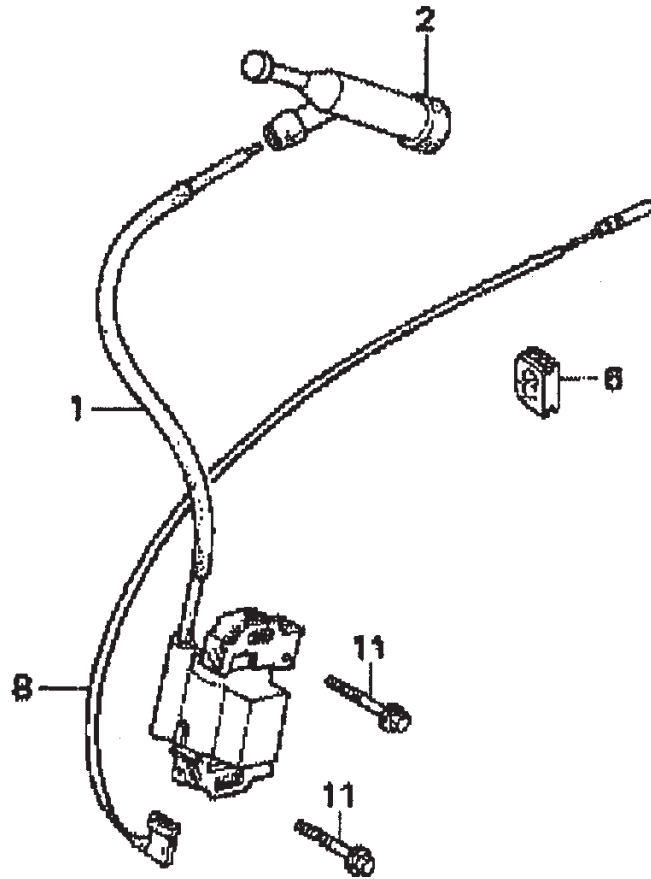
# HONDA GX240K1QA2ENGINE — FUEL TANK ASSY.

## FUEL TANK ASSY.

<u>NO.</u>	<u>PART NO.</u>	<u>PART NAME</u>	<u>QTY.</u>	<u>REMARKS</u>
1	16854ZH8000	RUBBER SUPPORTER 107MM	1	
2	16955ZE1000	JOINT, FUEL TANK	1	
3	17510ZE2020ZD	TANK COMP., FUEL *NH1*, BLACK	1	
5	17620ZH7023	CAP COMP., FUEL FILLER .....	1	INCLUDES ITEMS W/*
6*	17631ZH7003	GASKET, FUEL FILLER CAP	1	
8	17672ZE2W01	FILTER, FUEL	1	
11	91353671003	O-RING 14MM, ARAI	1	
12	9405008000	NUT, FLANGE 8MM	2	
13	950014500360M	BULK HOSE, FUEL 4.5X3000, 4.5X222	1	
14	9500202080	CLIP, TUBE, B8	2	
15	957010802500	BOLT, FLANGE 8X25	2	

# HONDA GX240K1QA2 ENGINE — IGNITION COIL ASSY.

IGNITION COIL ASSY.



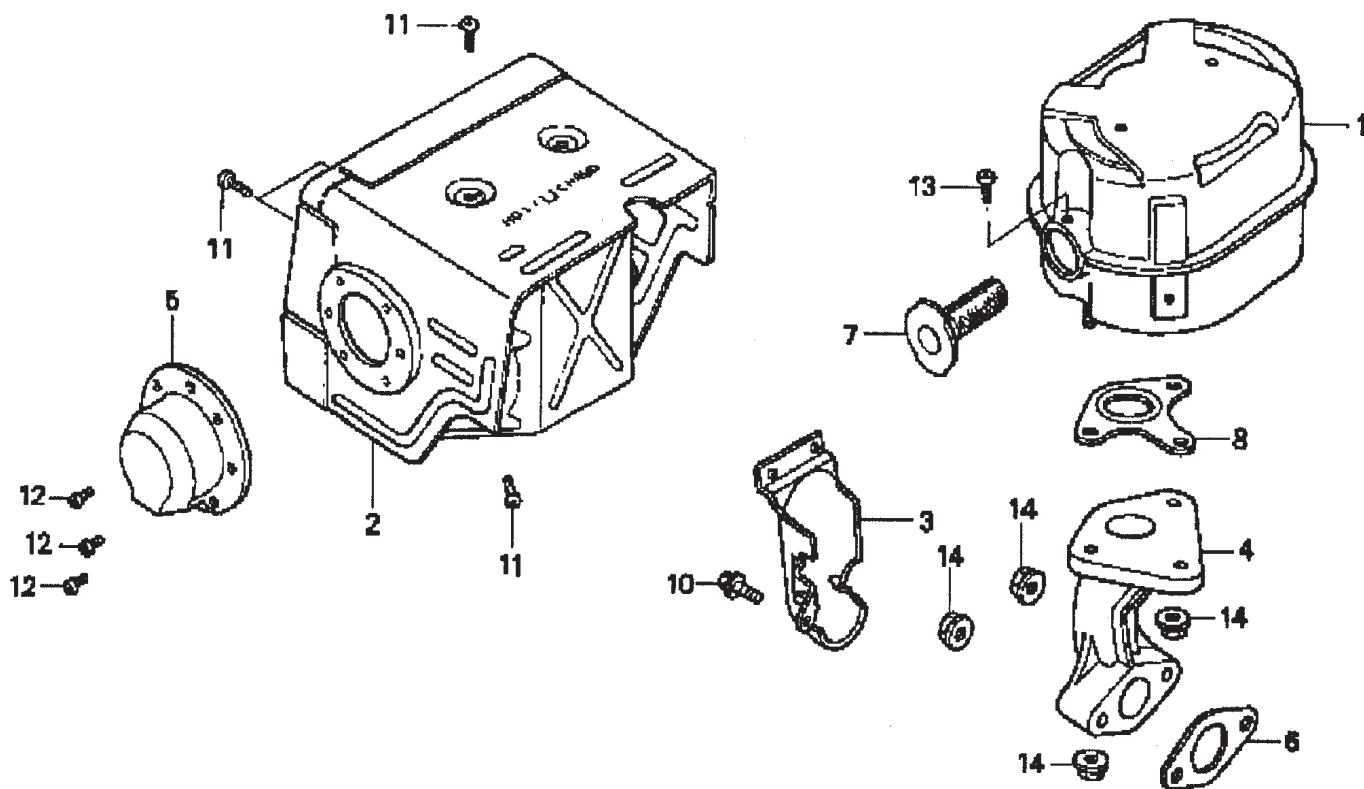
# HONDA GX240K1QA2 ENGINE — IGNITION COIL ASSY.

## IGNITION COIL ASSY.

<u>NO.</u>	<u>PART NO.</u>	<u>PART NAME</u>	<u>QTY.</u>	<u>REMARKS</u>
1	30500ZE2023	COIL ASSY., IGNITION	1	
2	30700ZE1013	CAP ASSY., NOISE SUPPRESSOR	1	
6	31512ZE2000	GROMMET, WIRE	1	
8	36101ZE1010	WIRE, STOP SWITCH 370MM	1	
11	90015883000	BOLT, FLANGE 6X28	2	

# HONDA GX240K1QA2 ENGINE — MUFFLER ASSY.

MUFFLER ASSY.





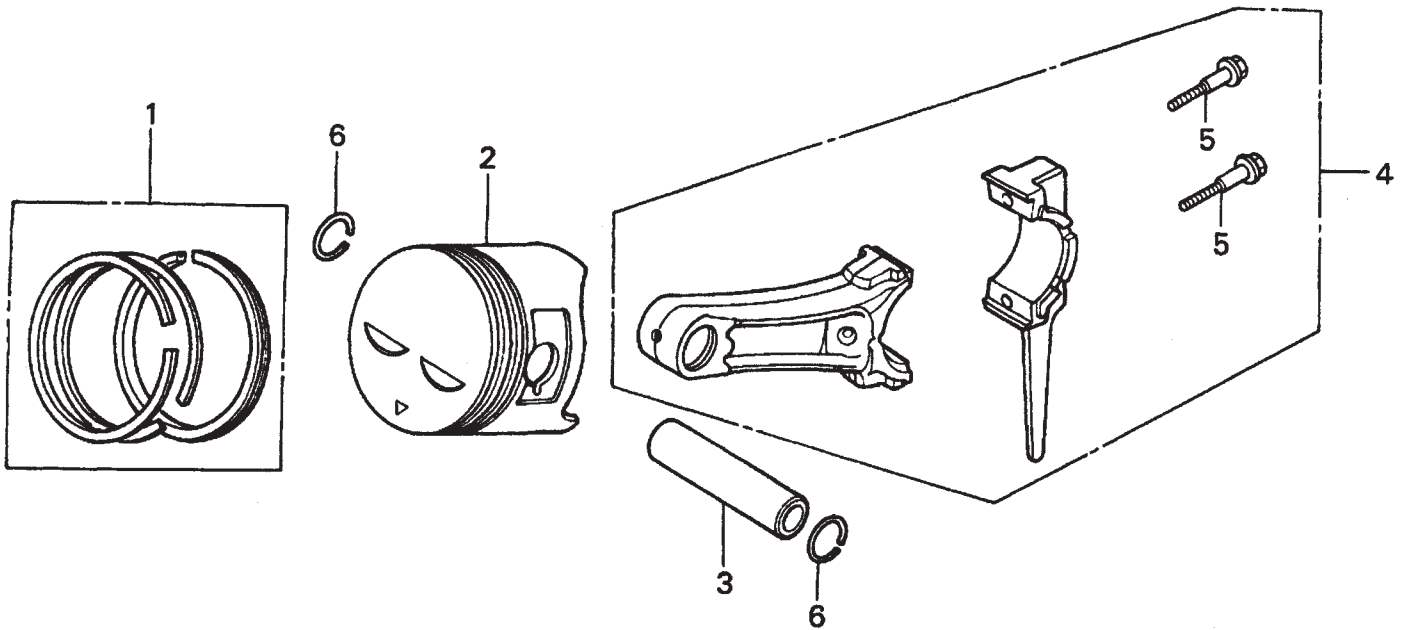
## HONDA GX240K1QA2 ENGINE — MUFFLER ASSY.

### MUFFLER ASSY.

<u>NO.</u>	<u>PART NO.</u>	<u>PART NAME</u>	<u>QTY.</u>	<u>REMARKS</u>
1	18310ZE2W00	MUFFLER COMP.	1	
2	18320ZE2W01	PROTECTOR COMP., MUFFLER	1	
3	18323ZE2W00	PROTECTOR, EX. PIPE	1	
4	18330ZE2W00	PIPE, EX.	1	
5	18331ZE2810	CAP, MUFFLER	1	
6	18333ZE3800	GASKET, EX. PIPE	1	
7	18355ZE2010	ARRESTER, SPARK	1	
8	18381ZE2W10	GASKET, MUFFLER, ARRESTER	1	
10	90013883000	BOLT, FLANGE 6X12 CT200	1	
11	90050ZE1000	SCREW, TAPPING 5X8	6	
12	90055ZE1000	SCREW, TAPPING 4X6	3	
13	90050ZE1000	SCREW, TAPPING 5X8	1	
14	9405008000	NUT, FLANGE 8MM	5	

# HONDA GX240K1QA2 ENGINE — PISTON ASSY.

PISTON ASSY.



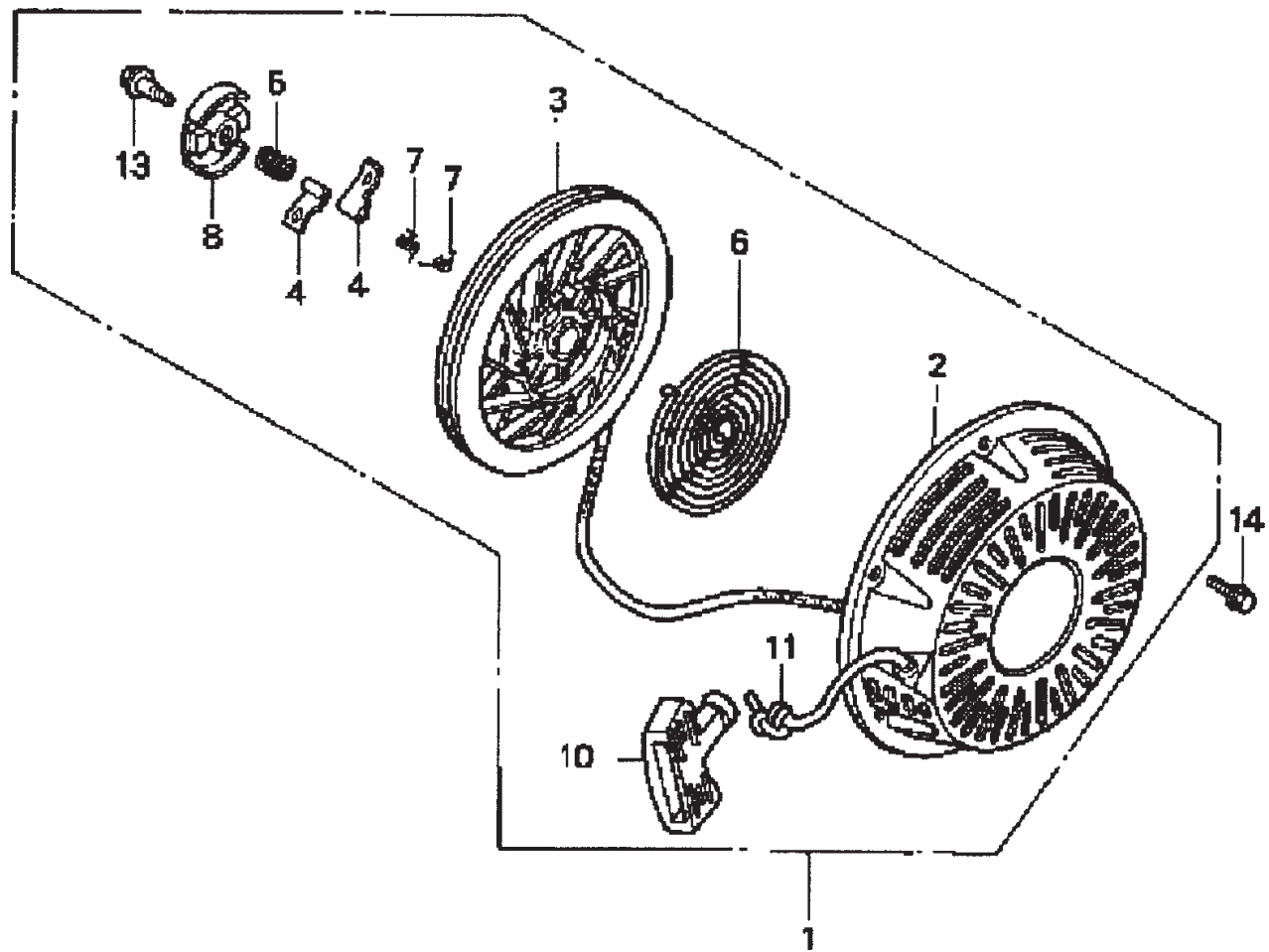
# HONDA GX240K1QA2 ENGINE — PISTON ASSY.

## PISTON ASSY.

<u>NO.</u>	<u>PART NO.</u>	<u>PART NAME</u>	<u>QTY.</u>	<u>REMARKS</u>
1	13010ZE2013	RING SET, PISTON, STD.	1	
1	13011ZE2013	RING SET, PISTON, OS 0.25, OPTIONAL	1	
1	13012ZE2013	RING SET, PISTON, OS 0.50, OPTIONAL	1	
1	13013ZE2013	RING SET, PISTON, 0.75, OPTIONAL	1	
2	13101ZE2W00	PISTON, STANDARD	1	
2	13102ZE2W00	PISTON, OS 0.25, OPTIONAL	1	
2	13103ZE2W00	PISTON, OS 0.50, OPTIONAL	1	
2	13104ZE2W00	PISTON, 0.75, OPTIONAL	1	
3	13111ZE2000	PIN, PISTON	1	
4	13200ZE2000	ROD ASSY., CONNECTING STANDARD .....	1	INCLUDES ITEMS W/*
4	13200ZE2305	ROD ASSY., CONNECTING, US 0.25, OPT. ....	1	INCLUDES ITEMS W/*
5*	90001ZE8000	BOLT, CONNECTING ROD	2	
6	90551ZE1000	CLIP, PISTON PIN 18MM	2	

# HONDA GX240K1QA2 ENGINE — RECOIL STARTER ASSY.

RECOIL STARTER ASSY.



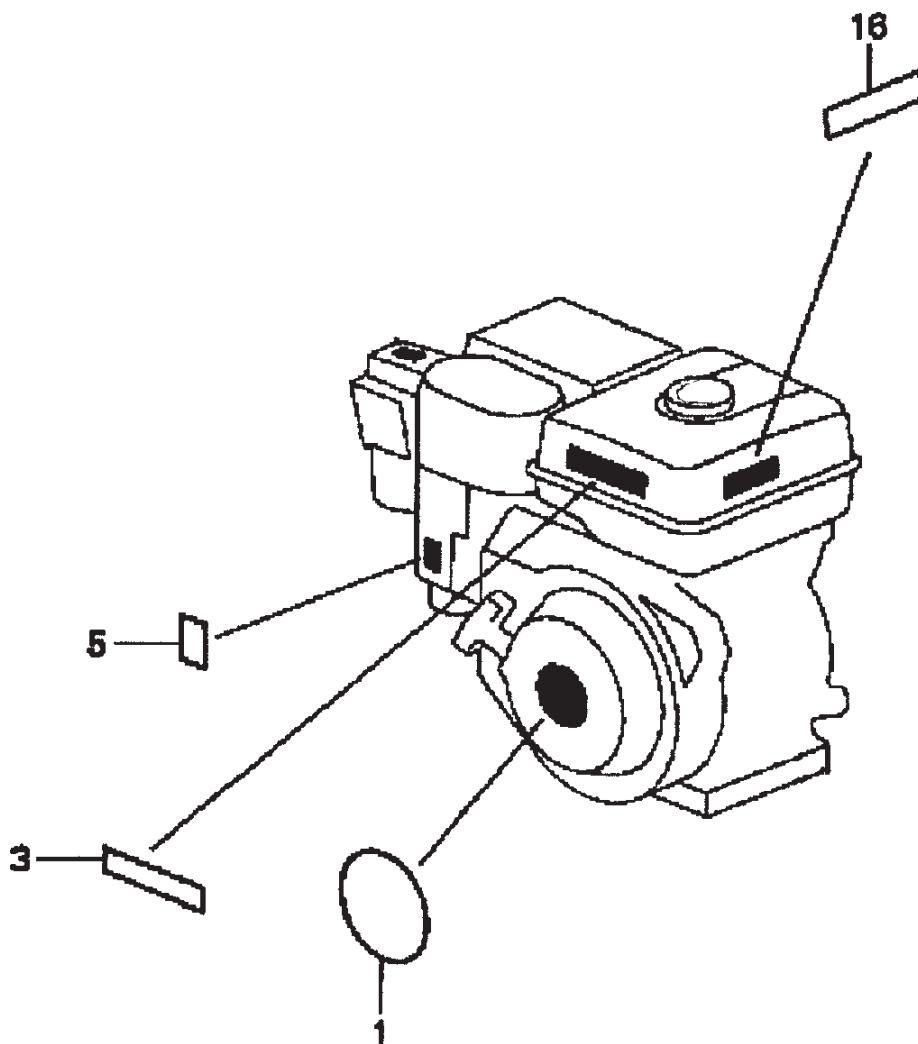
# HONDA GX240K1QA2 ENGINE — RECOIL STARTER ASSY.

## RECOIL STARTER ASSY.

<u>NO.</u>	<u>PART NO.</u>	<u>PART NAME</u>	<u>QTY.</u>	<u>REMARKS</u>
1	28400ZE2W01ZB	STARTER ASSY., RECOIL *NH1*, BLACK .....	1	INCLUDES ITEMS W/*
2*	28410ZE2W01ZB	CASE COMP., RECOIL STARTER *NH1*, BLACK	1	
3*	28421ZE2W01	PULLEY, RECOIL STARTER	1	
4*	28422ZE2W01	RATCHET, STARTER	2	
5*	28441ZE2W01	SPRING, FRICTION	1	
6*	28442ZE2W01	SPRING, STARTER RETURN	1	
7*	28443ZE2W01	SPRING RATCHET	2	
8*	28444ZE2W01	RETAINER, SPRING	1	
10*	28461ZE2W02	GRIP, STARTER	1	
11*	28462ZE2W11	ROPE, RECOIL STARTER	1	
13*	90004ZE2W01	SCREW, CENTER	1	
14	90008ZE2003	BOLT, FLANGE 6X10	3	

# HONDA GX240K1QA2 ENGINE — ENGINE LABELS

## ENGINE LABELS



# HONDA GX240K1QA2 ENGINE — ENGINE LABELS

## ENGINE LABELS

<u>NO.</u>	<u>PART NO.</u>	<u>PART NAME</u>	<u>QTY.</u>	<u>REMARKS</u>
1	87521ZE2W01	EMBLEM, INTERNAL	1	
3	87522ZH9000	LABEL, CAUTION	1	
5	87528ZE2810	MARK, CHOKE, EXTERNAL	1	
16	87532ZH8810	MARK, OIL ALERT, E	1	

# TERMS AND CONDITIONS OF SALE — PARTS

## PAYMENT TERMS

Terms of payment for parts are net 30 days.

## FREIGHT POLICY

All parts orders will be shipped collect or prepaid with the charges added to the invoice. All shipments are F.O.B. point of origin. Multiquip's responsibility ceases when a signed manifest has been obtained from the carrier, and any claim for shortage or damage must be settled between the consignee and the carrier.

## MINIMUM ORDER

The minimum charge for orders from Multiquip is \$15.00 net. Customers will be asked for instructions regarding handling of orders not meeting this requirement.

## RETURNED GOODS POLICY

Return shipments will be accepted and credit will be allowed, subject to the following provisions:

1. A Returned Material Authorization must be approved by Multiquip prior to shipment.
2. To obtain a Return Material Authorization, a list must be provided to Multiquip Parts Sales that defines item numbers, quantities, and descriptions of the items to be returned.
  - a. The parts numbers and descriptions must match the current parts price list.
  - b. The list must be typed or computer generated.
  - c. The list must state the reason(s) for the return.
  - d. The list must reference the sales order(s) or invoice(s) under which the items were originally purchased.
  - e. The list must include the name and phone number of the person requesting the RMA.
3. A copy of the Return Material Authorization must accompany the return shipment.
4. Freight is at the sender's expense. All parts must be returned freight prepaid to Multiquip's designated receiving point.

5. Parts must be in new and resalable condition, in the original Multiquip package (if any), and with Multiquip part numbers clearly marked.
6. The following items are not returnable:
  - a. Obsolete parts. (If an item is in the price book and shows as being replaced by another item, it is obsolete.)
  - b. Any parts with a limited shelf life (such as gaskets, seals, "O" rings, and other rubber parts) that were purchased more than six months prior to the return date.
  - c. Any line item with an extended dealer net price of less than \$5.00.
  - d. Special order items.
  - e. Electrical components.
  - f. Paint, chemicals, and lubricants.
  - g. Decals and paper products.
  - h. Items purchased in kits.
7. The sender will be notified of any material received that is not acceptable.
8. Such material will be held for five working days from notification, pending instructions. If a reply is not received within five days, the material will be returned to the sender at his expense.
9. Credit on returned parts will be issued at dealer net price at time of the original purchase, less a 15% restocking charge.
10. In cases where an item is accepted, for which the original purchase document can not be determined, the price will be based on the list price that was effective twelve months prior to the RMA date.
11. Credit issued will be applied to future purchases only.

## PRICING AND REBATES

Prices are subject to change without prior notice. Price changes are effective on a specific date and all orders received on or after that date will be billed at the revised price. Rebates for price declines and added charges for price increases will not be made for stock on hand at the time of any price change.

Multiquip reserves the right to quote and sell direct to Government agencies, and to Original Equipment Manufacturer accounts who use our products as integral parts of their own products.

## SPECIAL EXPEDITING SERVICE

A \$35.00 surcharge will be added to the invoice for special handling including bus shipments, insured parcel post or in cases where Multiquip must personally deliver the parts to the carrier.

## LIMITATIONS OF SELLER'S LIABILITY

Multiquip shall not be liable hereunder for damages in excess of the purchase price of the item with respect to which damages are claimed, and in no event shall Multiquip be liable for loss of profit or good will or for any other special, consequential or incidental damages.

## LIMITATION OF WARRANTIES

No warranties, express or implied, are made in connection with the sale of parts or trade accessories nor as to any engine not manufactured by Multiquip. Such warranties made in connection with the sale of new, complete units are made exclusively by a statement of warranty packaged with such units, and Multiquip neither assumes nor authorizes any person to assume for it any other obligation or liability whatever in connection with the sale of its products. Apart from such written statement of warranty, there are no warranties, express, implied or statutory, which extend beyond the description of the products on the face hereof.

Effective: February 22, 2006





# OPERATION AND PARTS MANUAL

## HERE'S HOW TO GET HELP

PLEASE HAVE THE MODEL AND SERIAL  
NUMBER ON-HAND WHEN CALLING

### UNITED STATES

#### ***Multiquip Corporate Office***

18910 Wilmington Ave. Tel. (800) 421-1244  
Carson, CA 90746 Fax (800) 537-3927  
Contact: mq@multiquip.com

#### ***Mayco Parts***

800-306-2926 Fax: 800-672-7877  
310-537-3700 Fax: 310-637-3284

#### ***Service Department***

800-421-1244 Fax: 310-537-4259  
310-537-3700

#### ***MQ Parts Department***

800-427-1244 Fax: 800-672-7877  
310-537-3700 Fax: 310-637-3284

#### ***Warranty Department***

800-421-1244, Ext. 279 Fax: 310-537-1173  
310-537-3700, Ext. 279

#### ***Technical Assistance***

800-478-1244 Fax: 310-631-5032

### MEXICO

#### ***MQ Cipsa***

Carr. Fed. Mexico-Puebla KM 126.5 Tel: (52) 222-225-9900  
Momoxpan, Cholula, Puebla 72760 Mexico Fax: (52) 222-285-0420  
Contact: pmastretta@cipsa.com.mx

### UNITED KINGDOM

#### ***Multiquip (UK) Limited Head Office***

Unit 2, Northpoint Industrial Estate, Tel: 0161 339 2223  
Global Lane, Fax: 0161 339 3226  
Dukinfield, Cheshire SK16 4UJ  
Contact: sales@multiquip.co.uk

### CANADA

#### ***Multiquip***

4110 Industriel Boul. Tel: (450) 625-2244  
Laval, Quebec, Canada H7L 6V3 Tel: (877) 963-4411  
Contact: jmartin@multiquip.com Fax: (450) 625-8664

© COPYRIGHT 2010, MULTIQUIP INC.

Multiquip Inc, the MQ logo and the Whiteman logo are registered trademarks of Multiquip Inc. and may not be used, reproduced, or altered without written permission. All other trademarks are the property of their respective owners and used with permission.

This manual MUST accompany the equipment at all times. This manual is considered a permanent part of the equipment and should remain with the unit if resold.

The information and specifications included in this publication were in effect at the time of approval for printing. Illustrations, descriptions, references and technical data contained in this manual are for guidance only and may not be considered as binding. Multiquip Inc. reserves the right to discontinue or change specifications, design or the information published in this publication at any time without notice and without incurring any obligations.

Your Local Dealer is:



## Free Manuals Download Website

<http://myh66.com>

<http://usermanuals.us>

<http://www.somanuals.com>

<http://www.4manuals.cc>

<http://www.manual-lib.com>

<http://www.404manual.com>

<http://www.luxmanual.com>

<http://aubethermostatmanual.com>

Golf course search by state

<http://golfingnear.com>

Email search by domain

<http://emailbydomain.com>

Auto manuals search

<http://auto.somanuals.com>

TV manuals search

<http://tv.somanuals.com>