

PARTS MANUAL



JTNS20HTCSL JTNSW20HTCSL RIDE-ON POWER TROWEL (HONDA GX630RQZB2-R280 GASOLINE ENGINE)

Revision #1 (11/08/13)

To find the latest revision of this
publication, visit our website at:
www.multiquip.com



THIS MANUAL MUST ACCOMPANY THE EQUIPMENT AT ALL TIMES.

P/N 24100

JTNS/SW20H Ride-On Power Trowel

Table Of Contents.....	2
Explanation Of Code In Remarks Column.....	4
Suggested Spare Parts	5

Component Drawings

Nameplate and Decals Assembly.....	6-7
Steering Assembly (Left-Side)	8-9
Steering Assembly (Right-Side)	10-11
JTNS Pivot Assembly	12-13
JTNSW Left-Side Pivot Assembly	14-15
JTNSW Right-Side Pivot Assembly	16-17
JTNS Gearbox Assembly (Left-Side).....	18-19
JTNS Gearbox Assembly (Right-Side)	20-21
JTNSW Gearbox Assembly (Left-Side)	22-23
JTNSW Gearbox Assembly (Right-Side).....	24-25
Pitch Control Tower Assembly	26-29
Pitch Control Drive Cable Assembly.....	30-31
Fuel Tank Assembly.....	32-33
Drive Assembly.....	34-35
Engine Mounting and Clutch Assembly.....	36-37
Engine Components Assembly	38-39
Spider Assembly (Left)	40-41
Spider Assembly (Right).....	42-43
Seat Frame Assembly	44-45
Foot Pedal Assembly	46-47
Battery Assembly.....	48-49
Spray Tank Assembly	50-51
Lights Assembly	52-53
Front Panel Assembly.....	54-55
Harness Assembly.....	56-57
E-Z Mover and Lift Handle Assembly	58-59

Terms and Conditions Of Sale — Parts.....	60
---	----

NOTICE

Specifications and part numbers are subject to change without notice.

EXPLANATION OF CODE IN REMARKS COLUMN

The following section explains the different symbols and remarks used in the Parts section of this manual. Use the help numbers found on the back page of the manual if there are any questions.

NOTICE

The contents and part numbers listed in the parts section are subject to change **without notice**. Multiquip does not guarantee the availability of the parts listed.

SAMPLE PARTS LIST

NO.	PART NO.	PART NAME	QTY.	REMARKS
1	12345	BOLT	1	INCLUDES ITEMS W/%
2%		WASHER, 1/4 IN.		NOT SOLD SEPARATELY
2%	12347	WASHER, 3/8 IN. ...	1	MQ-45T ONLY
3	12348	HOSE	A/R	MAKE LOCALLY
4	12349	BEARING	1	S/N 2345B AND ABOVE

NO. Column

Unique Symbols — All items with same unique symbol

(@, #, +, %, or >) in the number column belong to the same assembly or kit, which is indicated by a note in the “Remarks” column.

Duplicate Item Numbers — Duplicate numbers indicate multiple part numbers, which are in effect for the same general item, such as different size saw blade guards in use or a part that has been updated on newer versions of the same machine.

NOTICE

When ordering a part that has more than one item number listed, check the remarks column for help in determining the proper part to order.

PART NO. Column

Numbers Used — Part numbers can be indicated by a number, a blank entry, or TBD.

TBD (To Be Determined) is generally used to show a part that has not been assigned a formal part number at the time of publication.

A blank entry generally indicates that the item is not sold separately or is not sold by Multiquip. Other entries will be clarified in the “Remarks” Column.

QTY. Column

Numbers Used — Item quantity can be indicated by a number, a blank entry, or A/R.

A/R (As Required) is generally used for hoses or other parts that are sold in bulk and cut to length.

A blank entry generally indicates that the item is not sold separately. Other entries will be clarified in the “Remarks” Column.

REMARKS Column

Some of the most common notes found in the “Remarks” Column are listed below. Other additional notes needed to describe the item can also be shown.

Assembly/Kit — All items on the parts list with the same unique symbol will be included when this item is purchased.

Indicated by:

“INCLUDES ITEMS W/(unique symbol)”

Serial Number Break — Used to list an effective serial number range where a particular part is used.

Indicated by:

“S/N XXXXX AND BELOW”

“S/N XXXX AND ABOVE”

“S/N XXXX TO S/N XXX”

Specific Model Number Use — Indicates that the part is used only with the specific model number or model number variant listed. It can also be used to show a part is NOT used on a specific model or model number variant.

Indicated by:

“XXXXX ONLY”

“NOT USED ON XXXX”

“Make/Obtain Locally” — Indicates that the part can be purchased at any hardware shop or made out of available items. Examples include battery cables, shims, and certain washers and nuts.

“Not Sold Separately” — Indicates that an item cannot be purchased as a separate item and is either part of an assembly/kit that can be purchased, or is not available for sale through Multiquip.

SUGGESTED SPARE PARTS

JTNS20HTCSL/JTNSW20HTCSL RIDE-ON POWER TROWEL WITH HONDA GX630RQZB2-R280 GASOLINE ENGINE

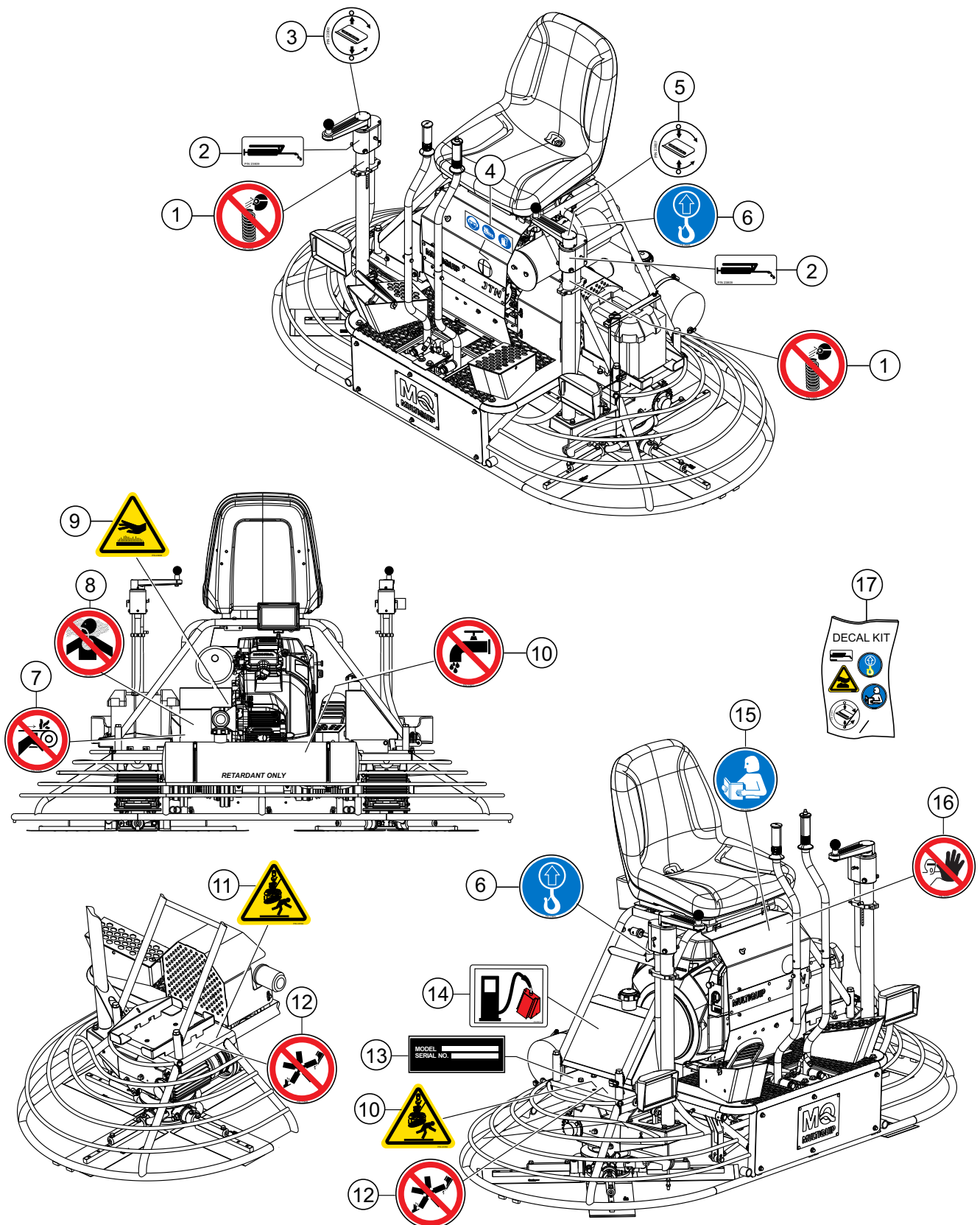
1 to 3 units

Qty.	P/N	Description
2	22762	HANDLE GRIP W/ .63 HOLE
2	2584	SWITCH
2	2008	CABLE PITCH
1	24090	LEVER ASSY. TROWEL ADJUSTMENT
1	24092	KNOB, KIT
1	24214	THROTTLE CABLE, INNER
2	10968	THRUST BEARING KIT
4	2826-1	ARM TROWEL, SILVER 9-3/4"
2	1555-1	RIGHT-SIDE TROWEL ARM LEVER
2	1163-1	LEVER, TROWEL RH, SILVER
8	1157 A	BUSHING, TROWEL ARM
4	1316	SPRING, LS ARM RETURN
4	1317	SPRING, RS ARM RETURN
4	1875	WASHER, INT. SHKP, 3/8"
4	1322	SCREW ASSY, RETAINING, ZERK
2	11876-1	SPIDER PLATE, 1-1/8" SHAFT, 4-BLD, SILVER
4	24227	CAP, GREASE ZERK
1	24224	FUEL CAP, RED
2	35110-ZV5-V50	KEYS, IGNITION
3	20111	GEARBOX LUBRICATING OIL (22 OZ. BOTTLE)
1	24209	CIRCUIT BREAKER, 30A, 12V
1	24210	RELAY, KILL
1	24208	LIGHT ASSY, RECTANGULAR W/ CONS
3	17218-Z6L-000	AIR FILTER, OUTER
1	90325-044-000	NUT, TOOL BOX SETTING
6	98079-5587G	SPARK PLUG (ZFR5F)
3	15410-Z6L-800	CARTRIDGE, OIL FILTER
2	9820044300	FUSE, 30 AMP
2	11064	BELT, A36, GATES HP-11

NOTICE

Part numbers on this Suggested Spare Parts list may supersede/replace the part numbers shown in the following parts lists.

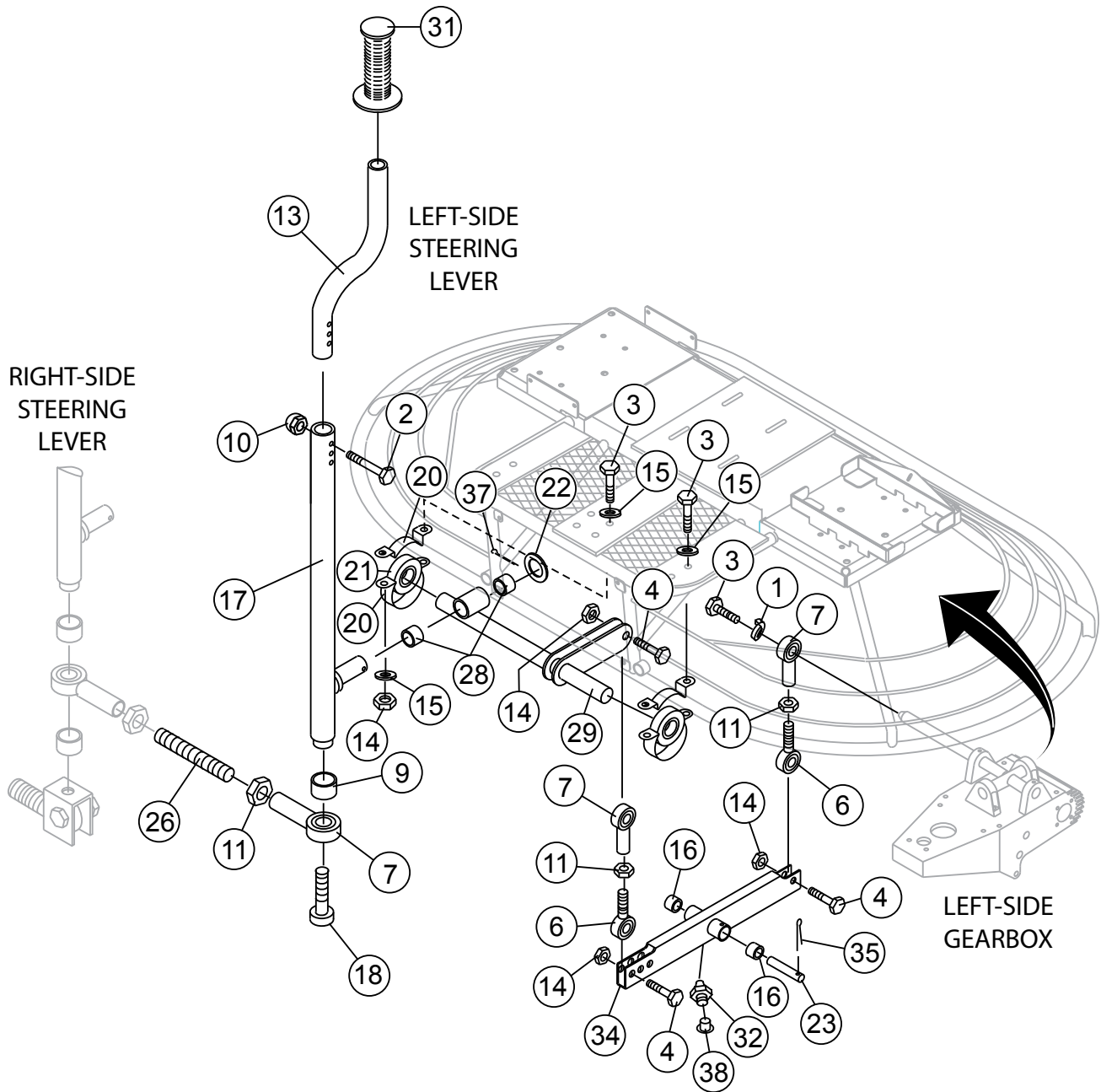
NAMEPLATE AND DECALS



NAMEPLATE AND DECALS

<u>NO.</u>	<u>PART NO.</u>	<u>PART NAME</u>	<u>QTY.</u>	<u>REMARKS</u>
1	23804	DECAL, DO NOT DISASSEMBLE HAZARD	2	
2	23809	DECAL, LUBRICATION POINT	2	
3	23806	DECAL, PITCH RH	1	
4	36099	DECAL, PROTECTIVE CLOTHING	1	
5	23807	DECAL, PITCH LH	1	
6	23805	DECAL, LIFT LOCATION	2	
7	23810	DECAL, INHALATION HAZARD	1	
8	23808	DECAL, HOT SURFACE HAZARD	2	
9	23811	DECAL, WARNING, NO WATER	1	
10	23700	DECAL, LIFT/CRUSH HAZARD	2	
11	23698	DECAL, ROTATING BLADE HAZARD	2	
12		SERIAL PLATE	1CONTACT MQ PARTS DEPT.
13	23812	DECAL, FUEL GASOLINE	1	
14	23699	DECAL, READ MANUAL	1	
15	23701	DECAL, ASK FOR TRAINING	1	
16	23659	KIT, DECAL	1	

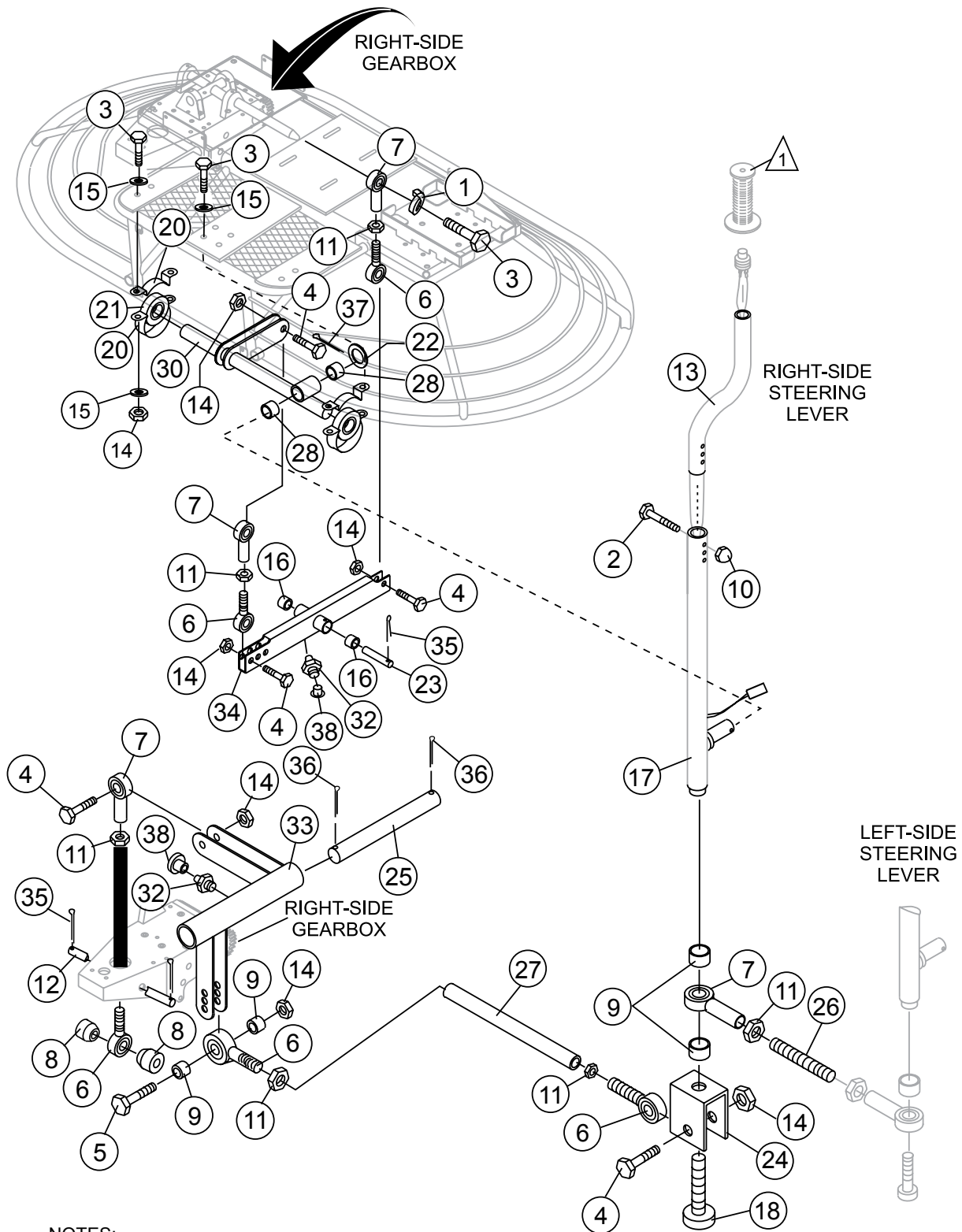
STEERING ASSY. (LEFT-SIDE)



STEERING ASSY. (LEFT-SIDE)

<u>NO.</u>	<u>PART NO.</u>	<u>PART NAME</u>	<u>QTY.</u>	<u>REMARKS</u>
1	0166 A	WASHER, LOCK, 3/8" MED.	2	
2	424	SCREW, HHC 1/4-20 X 1-1/4"	2	
3	1023	SCREW, HHC 3/8-16 X 1-1/4" GRD 5	10	
4	1284	SCREW, HHC 3/8-16 X 1-1/2"	8	
5	1665	SCREW, HHC 3/8-16 X 2"	1	
6	2063	ROD END, 3/8-24 MALE RH	7	
7	2064	ROD END, 3/8-24 FEMALE RH	7	
8	2188	SPACER	2	JTNS
8	24122	SPACER.....	2	JTNSW
9	2196	SPACER	5	
10	2197	NUT, ACORN 1/4-20	2	
11	2199	NUT, HEX JAM 3/8-24	9	
12	3550	PIN, SHROUD HINGE	1	JTNS
12	24133	PIN, SHROUD HINGE	1	JTNSW
13	10130	HANDLE TUBE	2	
14	10133	NUT, NYLOC 3/8-16	17	
15	10136	WASHER, FLAT SAE 3/8"	16	
16	11072	BEARING, NEEDLE	4	
17	11079	HANDLE, LOWER	2	
18	11089	SCREW, SHC 3/8-16 X 2" PLATED	1	
20	11138	BEARING, HOUSING	4	
21	11149	BEARING, INSERT	4	
22	11265	WASHER, STEERING HANDLE	2	
23	11275	PIN, 3/8 DIA X 3"	2	
24	11303	BRACKET, L/R MOTION ROD	1	
25	11497	SHAFT, L/R, MOTION LEVER	1	
26	11498	THREADPIECE, CONN. STEERING	1	
27	11513	ROD, L/R, LINKAGE	1	
28	12408	BUSHING	4	
29	12650	STEERING CONTROL, LS	1	
31	22762	GRIP, HANDLE, W/ HOLE	1	
32	24110	FITTING, GREASE ZERK 45 DEG	3	
33	24123	RIGHT-LEFT MOTION CONTROL ARM	1	
34	24134	LEVER, STEERING CONTROL	2	
35	24193	PIN, COTTER, 2.5 X 30MM	4	
37	24195	PIN, COTTER, 4MM X 35MM	2	
38	24227	CAP, GREASE ZERK	3	

STEERING ASSY. (RIGHT-SIDE)

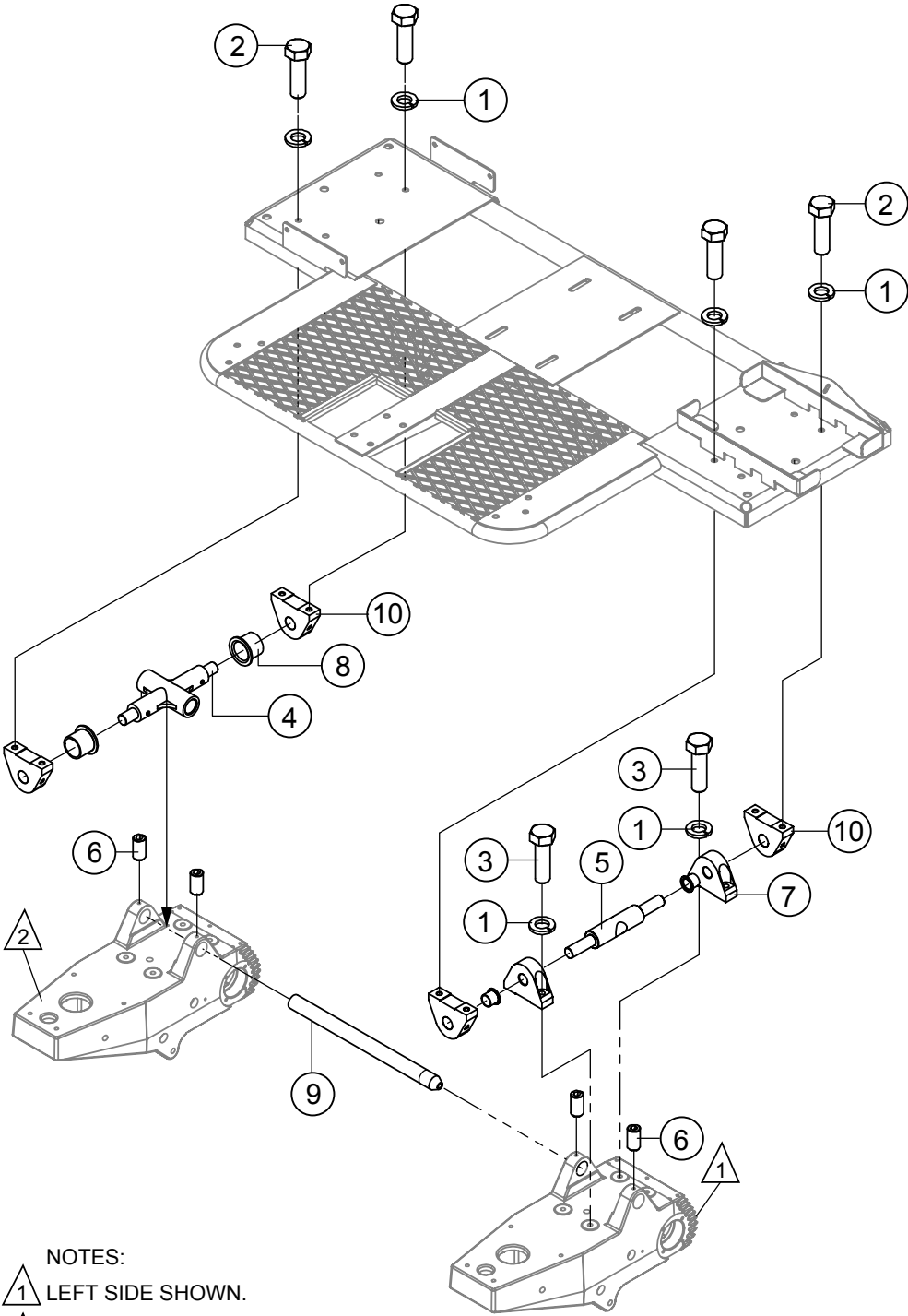


NOTES:
 1 SEE SPRAY ASSEMBLY.

STEERING ASSY. (RIGHT-SIDE)

<u>NO.</u>	<u>PART NO.</u>	<u>PART NAME</u>	<u>QTY.</u>	<u>REMARKS</u>
1	0166 A	WASHER, LOCK, 3/8" MED.	2	
2	424	SCREW, HHC 1/4-20 X 1-1/4"	2	
3	1023	SCREW, HHC 3/8-16 X 1-1/4" GRD 5	10	
4	1284	SCREW, HHC 3/8-16 X 1-1/2"	8	
5	1665	SCREW, HHC 3/8-16 X 2"	1	
6	2063	ROD END, 3/8-24 MALE RH	7	
7	2064	ROD END, 3/8-24 FEMALE RH	7	
8	2188	SPACER	2	JTNS
8	24122	SPACER.....	2	JTNSW
9	2196	SPACER	5	
10	2197	NUT, ACORN 1/4-20	2	
11	2199	NUT, HEX JAM 3/8-24	9	
12	3550	PIN, SHROUD HINGE	1	JTNS
12	24133	PIN, SHROUD HINGE	1	JTNSW
13	10130	HANDLE TUB	2	
14	10133	NUT, NYLOC 3/8-16	17	
15	10136	WASHER, FLAT SAE 3/8"	16	
16	11072	BEARING, NEEDLE	4	
17	11079	HANDLE, LOWER	2	
18	11089	SCREW, SHC 3/8-16 X 2" PLATED	1	
19	11090	SCREW, SHC 3/8-16 X 1-1/4" PLATED	1	
20	11138	BEARING, HOUSING	4	
21	11149	BEARING, INSERT	4	
22	11265	WASHER, STEERING HANDLE	2	
23	11275	PIN, 3/8 DIA X 3"	2	
24	11303	BRACKET, L/R MOTION ROD	1	
25	11497	SHAFT, L/R, MOTION LEVER	1	
26	11498	THREADPIECE, CONN. STEERING	1	
27	11513	ROD, L/R, LINKAGE	1	
28	12408	BUSHING	4	
30	12651	STEERING CONTROL, RS	1	
31	22762	GRIP, HANDLE W/ HOLE	2	
32	24110	FITTING, GREASE ZERK 45 DEG	3	
33	24123	RIGHT-LEFT MOTION CONTROL ARM	1	
34	24134	LEVER, STEERING CONTROL	2	
35	24193	PIN, COTTER, 2.5 X 30MM	4	
36	24194	PIN, COTTER 3MM X 40MM	1	
37	24195	PIN, COTTER, 4MM X 35MM	2	
38	24227	CAP, GREASE ZERK	3	

JTNS PIVOT ASSY.

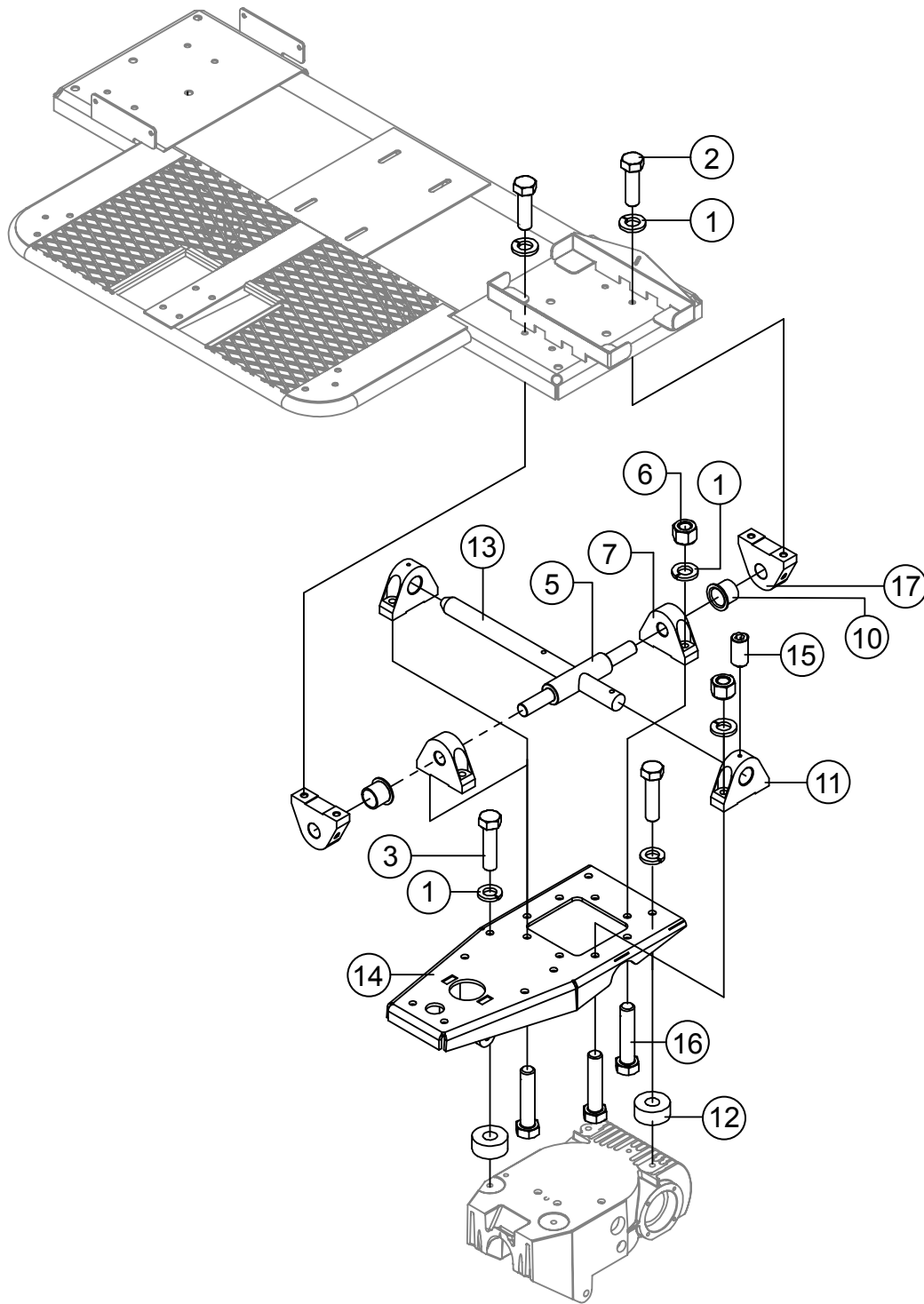


NOTES:
▲ 1 LEFT SIDE SHOWN.
▲ 2 RIGHT SIDE SHOWN.

JTNS PIVOT ASSY.

<u>NO.</u>	<u>PART NO.</u>	<u>PART NAME</u>	<u>QTY.</u>	<u>REMARKS</u>
1	0166 A	WASHER, LOCK, 3/8" MED.	12	
2	1023	SCREW, HHC 3/8-16 X 1-1/4" GRD 5	8	
3	1284	SCREW, HHC 3/8-16 X 1-1/2"	4	
4	2044	ARM, PIVOT RH	1	
5	2076	TUBE, PIVOT	1	
6	10138	SCREW, SHS 1/4-20 X 1/2"	4	
7	10973	ROCKER BLOCK,	2	
8	12408	BUSHING	4	
9	24139	TUBE, CONTROL PIVOT 1"	2	
10	392079	ROCKER BLOCK	4	

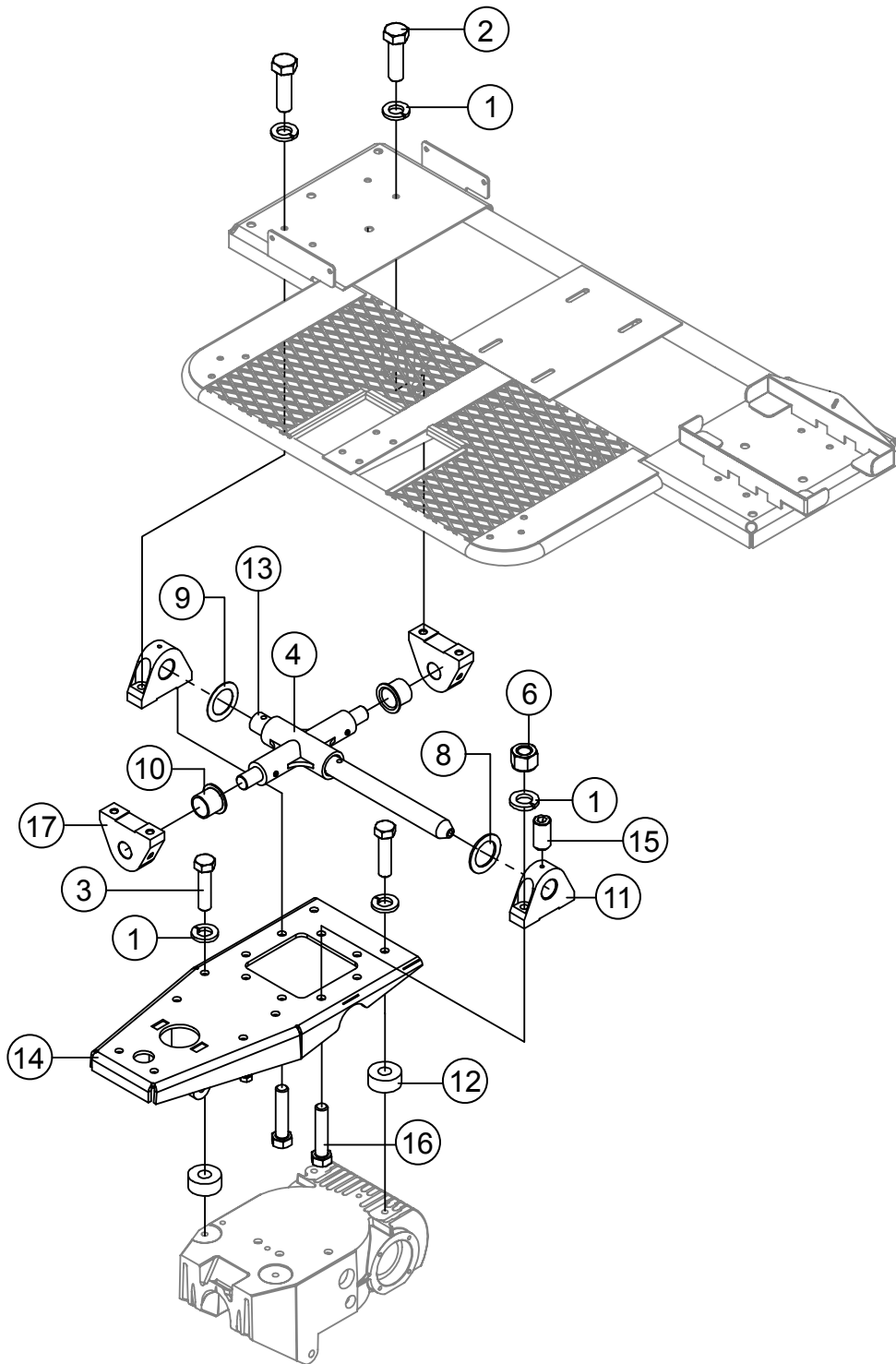
JTNSW LEFT-SIDE PIVOT ASSY.



JTNSW LEFT-SIDE PIVOT ASSY.

<u>NO.</u>	<u>PART NO.</u>	<u>PART NAME</u>	<u>QTY.</u>	<u>REMARKS</u>
1	0166 A	WASHER, LOCK, 3/8" MED.	14	
2	1023	SCREW, HHC 3/8-16 X 1-1/4" GRD 5	4	
3	1284	SCREW, HHC 3/8-16 X 1-1/2"	4	
5	2076	TUBE, PIVOT LH	1	
6	10133	NUT, NYLOC 3/8-16	6	
7	10973	ROCKER BLOCK	2	
10	12408	BUSHING	2	
11	24089	ROCKER BLOCK	2	
12	24099	SPACER	4	
13	24139	TUBE, CONTROL PIVOT 1"	1	
14	24168	PLATE, GEARBOX ADAPTOR	1	
15	24249	SCREW, SHS M6 X1.0 X 20MM	2	
16	24250	SCREW, HHC 3/8-16 X 1-3/4" GRD5	6	
17	392079	ROCKER BLOCK	2	

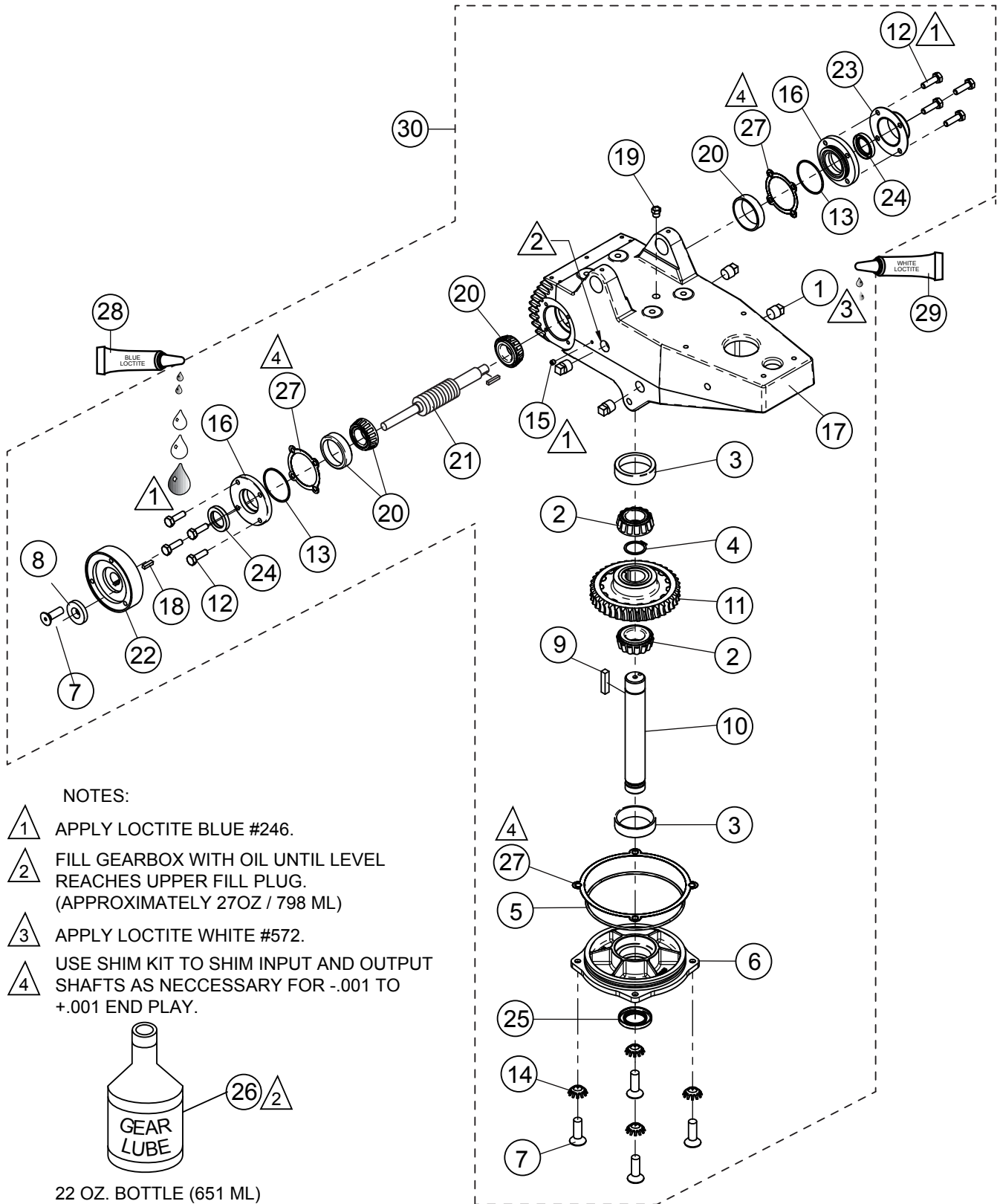
JTNSW RIGHT-SIDE PIVOT ASSY.



JTNSW RIGHT-SIDE PIVOT ASSY.

<u>NO.</u>	<u>PART NO.</u>	<u>PART NAME</u>	<u>QTY.</u>	<u>REMARKS</u>
1	0166 A	WASHER, LOCK, 3/8" MED.	14	
2	1023	SCREW, HHC 3/8-16 X 1-1/4" GRD 5	4	
3	1284	SCREW, HHC 3/8-16 X 1-1/2"	4	
4	2044	ARM, PIVOT RH	1	
6	10133	NUT, NYLOC 3/8-16	6	
8	11772	SHIM, STEEL	AR	
9	11773	SHIM, STEEL	AR	
10	12408	BUSHING	2	
11	24089	ROCKER BLOCK	2	
12	24099	SPACER	4	
13	24139	TUBE, CONTROL PIVOT 1"	1	
14	24168	PLATE, GEARBOX ADAPTOR	1	
15	24249	SCREW, SHS M6 X 1.0 X 20MM	2	
16	24250	SCREW, HHC 3/8-16 X 1-3/4" GRD5	6	
17	392079	ROCKER BLOCK	2	

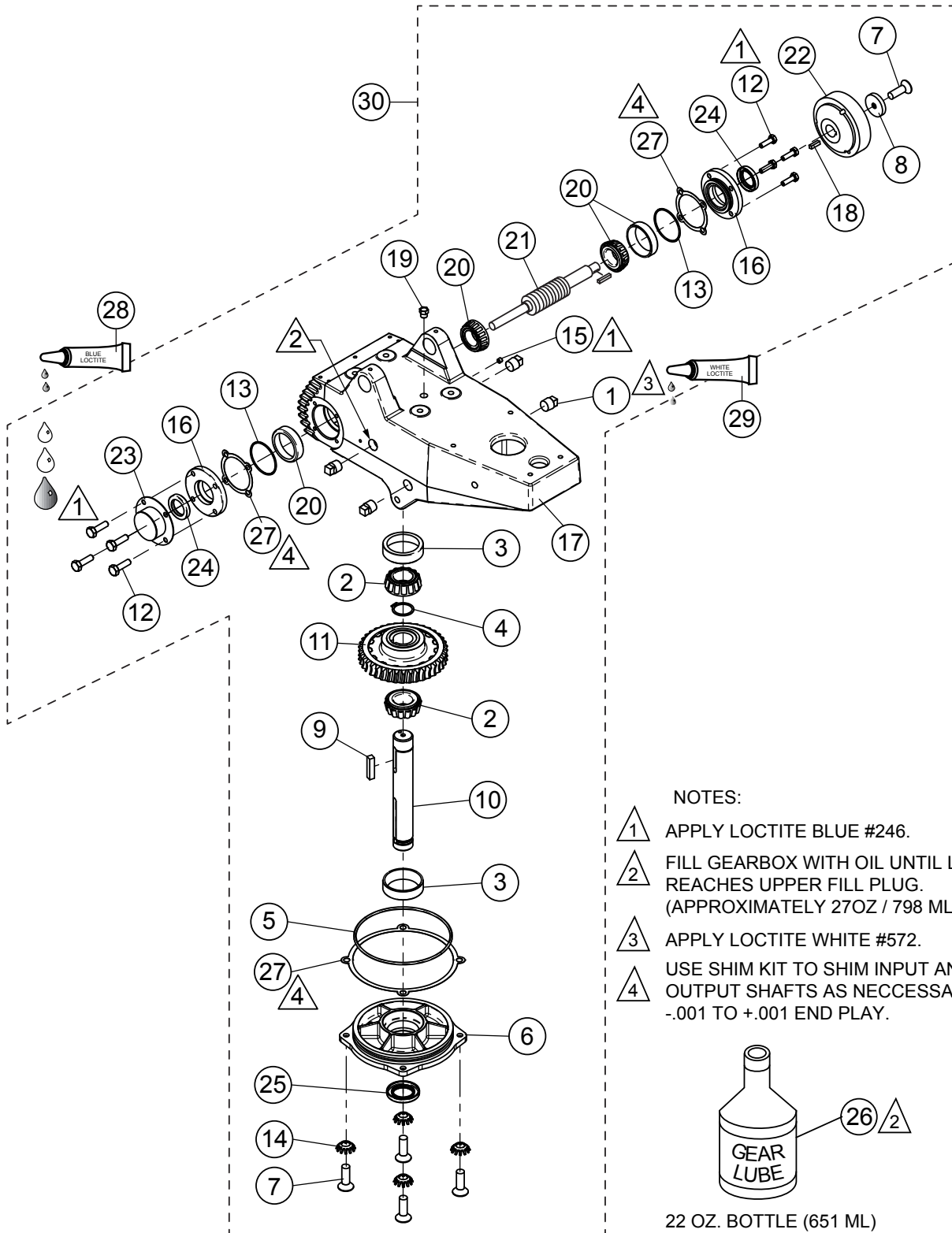
JTNS GEARBOX ASSY. (LEFT-SIDE)



JTNS GEARBOX ASSY. (LEFT-SIDE)

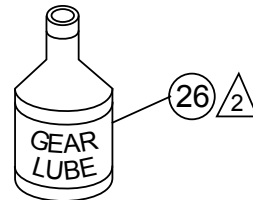
<u>NO.</u>	<u>PART NO.</u>	<u>PART NAME</u>	<u>QTY.</u>	<u>REMARKS</u>
1#	0121 A	PIPE PLUG 3/8"	4	
2#	0232	BEARING, TAPERED ROLLER 1-1/8" I.D.	2	
3#	0232 A	BEARING, CUP 2-5/16 O.D.	2	
4#	1138	SNAP RING, EXTERNAL, 1-1/8" DIA	1	
5#	1143	O-RING	1	
6#	1145	COVER, GEARBOX OUTPUT	1	
7#	1146	SCREW, FHSC 5/16-18X1", NYLOC	5	
8#	2037	SPACER	1	
9#	2229	KEY, 5/16 X 1-7/16"	1	
10#	2231	SHAFT, OUTPUT	1	
11#	2250	GEAR, WORM, COMPOSITE, LH	1	
12#	2295	SCREW, HHC 1/4-20 X 7/8"	8	
13#	2308	O-RING	2	
14#	10235	WASHER, LOCK 5/16" EXT.	4	
15#	10450	SCREW, SHS 10-32 X 1/4"	1	
16#	10498	FLANGE COUNTER SHAFT	2	
17#	10800	GEARBOX, MACHINED	1	
18#	10909	KEY, 3/16" SQ X 11/16"	1	
19#	21218	VENT, AIR, GEAR BOX	1	
20#	21634	BEARING, CONE AND CUP 52 MM X 25 MM	2	
21#	21764	WORM CNTR SHAFT LS	1	
22#	24121	COUPLER, .75" ID	1	
23#	24140	COVER, GEARBOX, 3.00"	1	
24#	24207	SEAL, OIL, DUAL LIP	2	
25#	24254	SEAL, OIL DUAL LIP	1	
26	60073	OIL, MOBIL SHC 634/EP 460 22 OZ.	2	
27#	24291	KIT, SHIMS	1	
28	60097	LOCTITE, #246 BLUE	1	
29	60096	LOCTITE, #572 WHITE	1	
30	24272	GEARBOX ASSY., LS.....	1.....	INCLUDES ITEMS W/#

JTNS GEARBOX ASSY. (RIGHT-SIDE)



NOTES:

- 1** APPLY LOCTITE BLUE #246.
- 2** FILL GEARBOX WITH OIL UNTIL LEVEL REACHES UPPER FILL PLUG. (APPROXIMATELY 27OZ / 798 ML)
- 3** APPLY LOCTITE WHITE #572.
- 4** USE SHIM KIT TO SHIM INPUT AND OUTPUT SHAFTS AS NECESSARY FOR $-.001$ TO $+.001$ END PLAY.

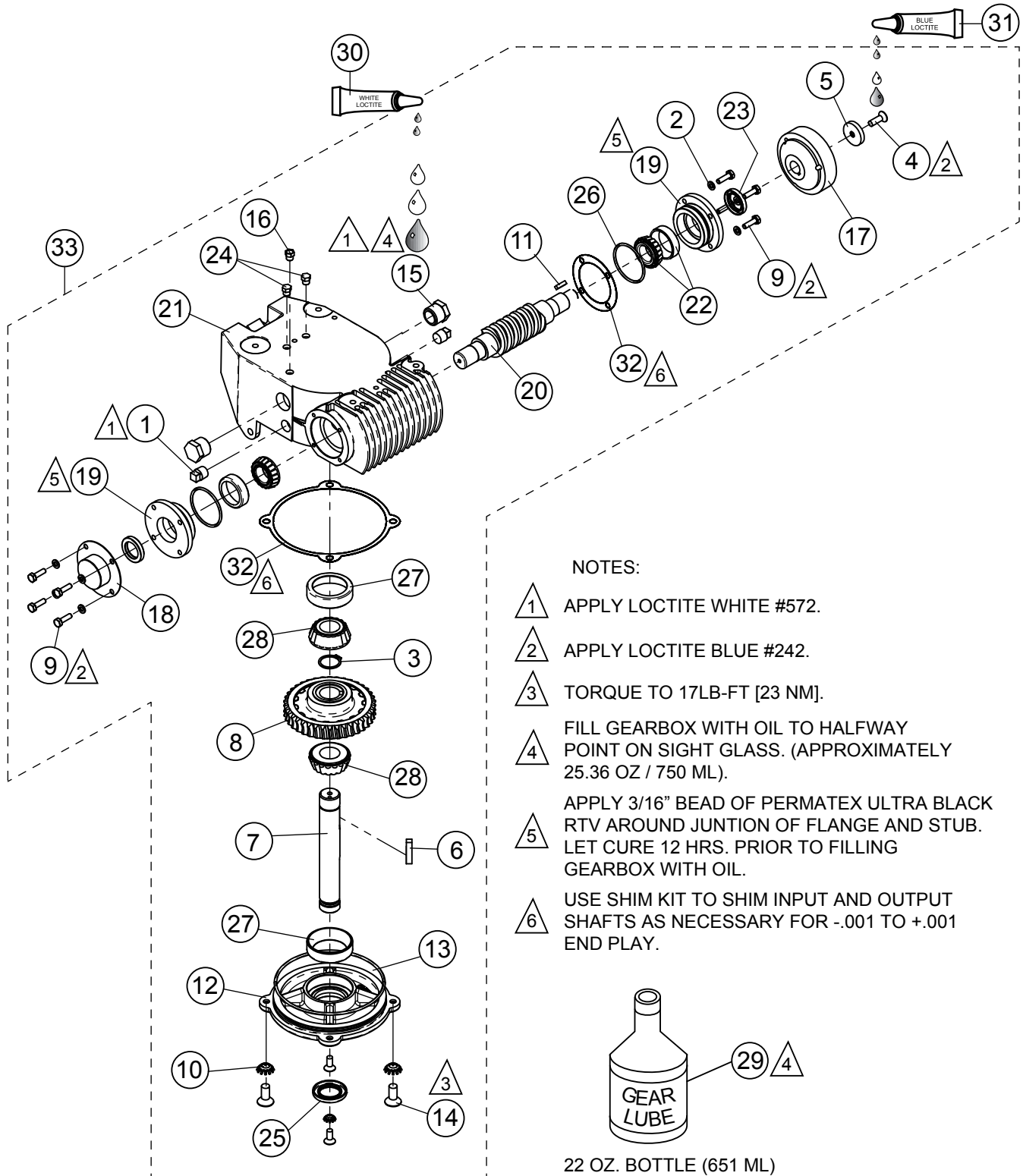


22 OZ. BOTTLE (651 ML)

JTNS GEARBOX ASSY. (RIGHT-SIDE)

<u>NO.</u>	<u>PART NO.</u>	<u>PART NAME</u>	<u>QTY.</u>	<u>REMARKS</u>
1#	0121 A	PIPE PLUG 3/8"	4	
2#	0232	BEARING, TAPERED ROLLER 1-1/8" I.D.	2	
3#	0232 A	BEARING, CUP 2-5/16" O.D.	2	
4#	1138	SNAP RING, EXTERNAL, 1-1/8" DIA	1	
5#	1143	O-RING	1	
6#	1145	COVER, GEARBOX OUTPUT	1	
7#	1146	SCREW, FHSC 5/16-18 X 1", NYLOC	5	
8#	2037	SPACER	1	
9#	2229	KEY, 5/16" X 1-7/16"	1	
10#	2231	SHAFT, OUTPUT	1	
11#	2249	GEAR, WORM, COMPOSITE, RH	1	
12#	2295	SCREW, HHC 1/4-20 X 7/8"	8	
13#	2308	O-RING	2	
14#	10235	WASHER, LOCK 5/16" EXT. TOOTH	4	
15#	10450	SCREW, SHS 10-32 X 1/4"	1	
16#	10498	FLANGE COUNTER SHAFT	2	
17#	10800	GEARBOX, MACHINED	1	
18#	10909	KEY, 3/16" SQ X 11/16"	1	
19#	21218	VENT, AIR, GEAR BOX	1	
20#	21634	BEARING, CONE & CUP 52 MM X 25 MM	2	
21#	21763	WORM COUNTER SHAFT RS	1	
22#	24121	COUPLER, .75" ID	1	
23#	24140	COVER, GEARBOX, 3.00"	1	
24#	24207	SEAL, OIL, DUAL LIP	2	
25#	24254	SEAL, OIL DUAL LIP	1	
26	20111	OIL, MOBIL SHC 634/ EP 460 22 OZ.	2	
27#	24291	KIT, SHIMS	1	
28	60097	LOCTITE, #246 BLUE	1	
29	60096	LOCTITE, #572 WHITE	1	
30	24273	GEARBOX ASSY., RS.....	1.....	INCLUDES ITEMS W/#

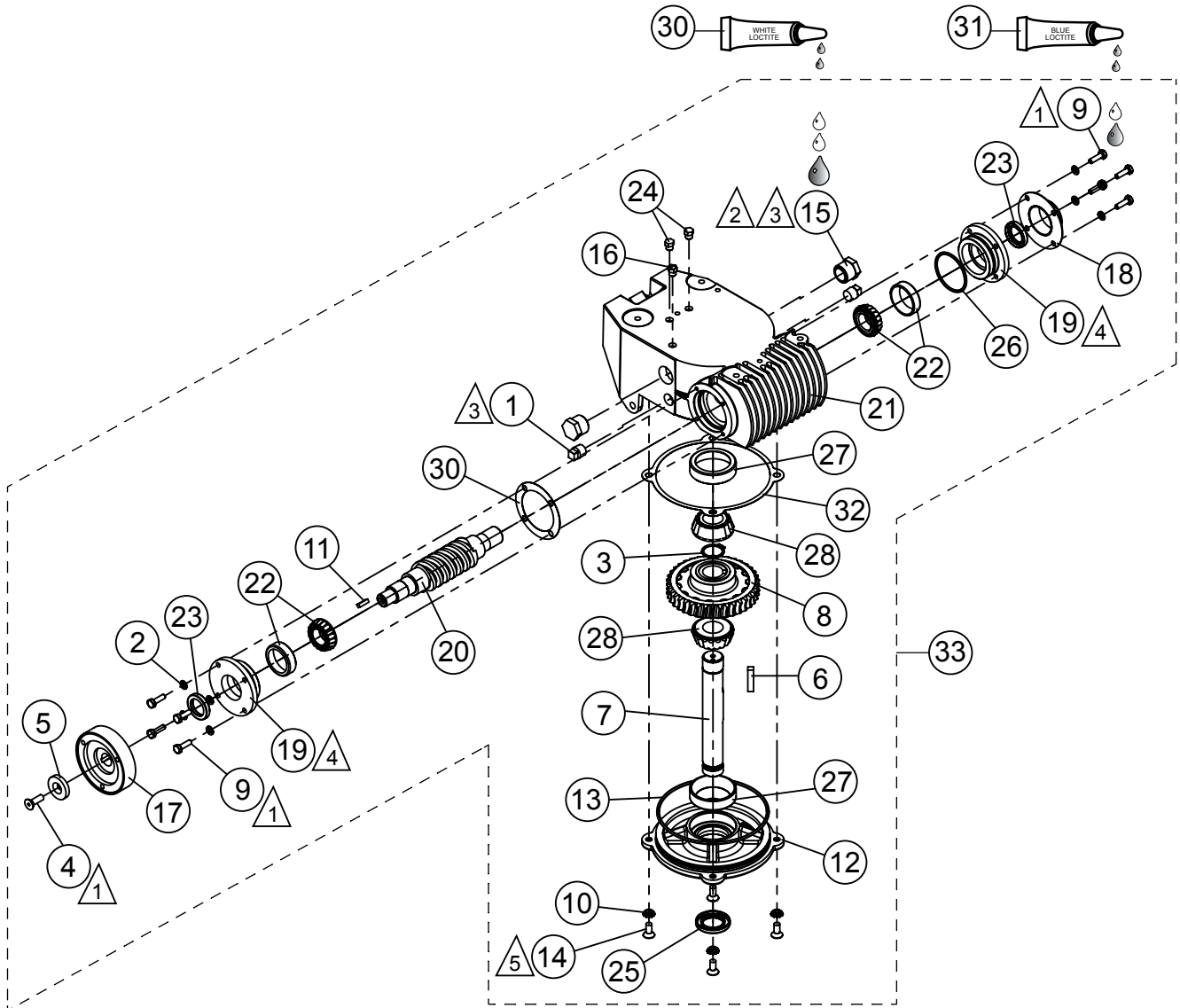
JTNSW GEARBOX ASSY. (LEFT-SIDE)



JTNSW GEARBOX ASSY. (LEFT-SIDE)

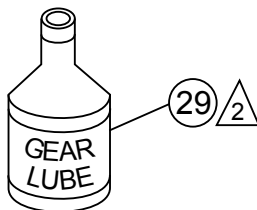
<u>NO.</u>	<u>PART NO.</u>	<u>PART NAME</u>	<u>QTY.</u>	<u>REMARKS</u>
1#	0121 A	PIPE PLUG 3/8"	2	
2#	0181 B	WASHER, LOCK 1/4" MED	8	
3#	1138	SNAP RING, EXTERNAL, 1-1/8" DIA	1	
4#	1146	SCREW, FHSC 5/16-18X1, NYLOC	1	
5#	2037	SPACER	1	
6#	2229	KEY, 5/16" X 1-7/16"	1	
7#	2231	SHAFT, OUTPUT	1	
8#	2250	GEAR, WORM, COMPOSITE, LH	1	
9#	2295	SCREW, HHC 1/4-20 X 7/8"	8	
10#	10235	WASHER, LOCK 5/16" EXT. TOOTH	4	
11#	10909	KEY, 3/16" SQ X 11/16"	1	
12#	12875	COVER, GEAR BOX	1	
13#	20396	O-RING	1	
14#	20875	SCREW, FHSC 5/16-18 X 3/4"	4	
15#	21033	SIGHT GLASS	2	
16#	21218	VENT, AIR, GEAR BOX	1	
17#	24121	COUPLER, .75" ID	1	
18#	24141	COVER, GEARBOX	1	
19#	24156	FLANGE, INPUT SHAFT	2	
20#	24158	WORM GEAR, RH	1	
21#	24159	CASE, WORM GEAR, MACHINED	1	
22#	24206	BEARING, CONE & CUP	2	
23#	24207	SEAL, OIL, DUAL LIP	2	
24#	24222	PLUG, 1/8 NPT, HEX SOCKET HEAD	2	
25#	24254	SEAL, OIL DUAL LIP	1	
26#	24279	O-RING	2	
27#	24286	CUP BEARING	2	
28#	24287	BEARING, CONE	2	
29	20111	OIL, MOBIL SHC 634/EP 460 22 OZ.	2	
30	60096	LOCTITE, #572 WHITE	1	
31	60091	LOCTITE, #242 BLUE	1	
32#	24292	KIT, SHIMS	1	
33	24277	GEARBOX ASSY., L.S.....	1	INCLUDES ITEMS W/#

JTNSW GEARBOX ASSY. (RIGHT-SIDE)



NOTES:

- 1** APPLY LOCTITE BLUE #242.
- 2** FILL GEARBOX WITH OIL TO HALFWAY POINT ON SIGHT GLASS. (APPROXIMATELY 25.36 OZ / 750 ML).
- 3** APPLY LOCTITE WHITE #572.
- APPLY 3/16" BEAD OF PERMATEX ULTRA BLACK RTV AROUND JUNCTION OF FLANGE AND STUB OF 24196. LET CURE 12 HRS. PRIOR TO FILLING GEARBOX WITH OIL.
- 4** TORQUE TO 17LB-FT [23 Nm]
- USE SHIM KIT TO SHIM INPUT AND OUTPUT SHAFTS AS NECESSARY FOR -.001 TO +.001 END PLAY.

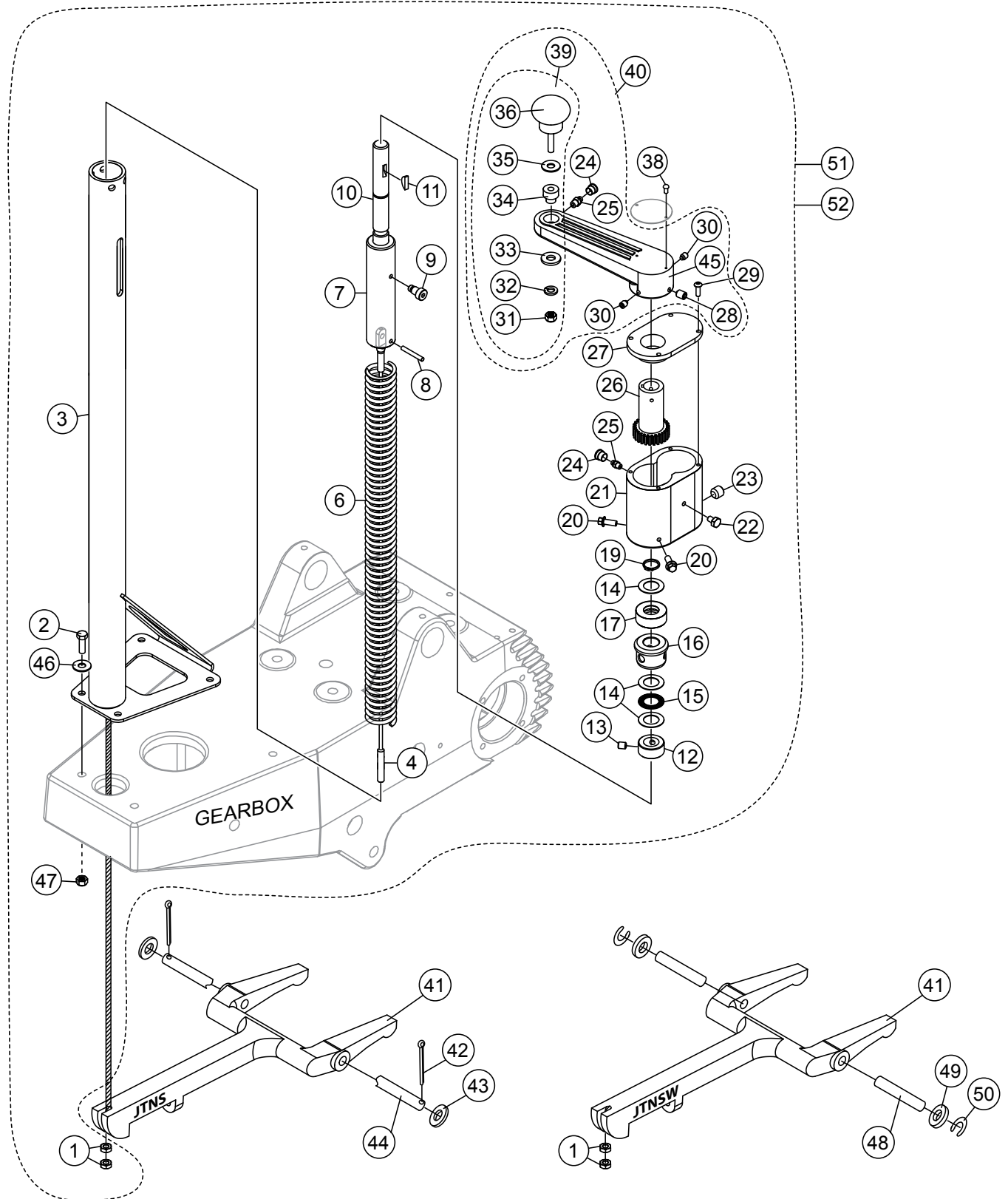


22 OZ. BOTTLE (651 ML)

JTNSW GEARBOX ASSY. (RIGHT-SIDE)

<u>NO.</u>	<u>PART NO.</u>	<u>PART NAME</u>	<u>QTY.</u>	<u>REMARKS</u>
1#	0121 A	PIPE PLUG 3/8"	2	
2#	0181 B	WASHER, LOCK 1/4" MED	8	
3#	1138	SNAP RING, EXTERNAL, 1-1/8" DIA	1	
4#	1146	SCREW, FHSC 5/16-18X1", NYLOC	1	
5#	2037	SPACER	1	
6#	2229	KEY, 5/16" X 1-7/16"	1	
7#	2231	SHAFT, OUTPUT	1	
8#	2249	GEAR, WORM, COMPOSITE, RH	1	
9#	2295	SCREW, HHC 1/4-20 X 7/8"	8	
10#	10235	WASHER, LOCK 5/16" EXT.	4	
11#	10909	KEY, 3/16" SQ X 11/16"	1	
12#	12875	COVER, GEAR BOX	1	
13#	20396	O-RING	1	
14#	20875	SCREW, FHSC 5/16-18 X 3/4"	4	
15#	21033	SIGHT GLASS	2	
16#	21218	VENT, AIR, GEAR BOX	1	
17#	24121	COUPLER, .75" ID	1	
18#	24141	COVER, GEARBOX	1	
19#	24156	FLANGE, INPUT SHAFT	2	
20#	24157	WORM GEAR, RH	1	
21#	24159	CASE, WORM GEAR, MACHINED	1	
22#	24206	BEARING, CONE & CUP	2	
23#	24207	SEAL, OIL, DUAL LIP	2	
24#	24222	PLUG, 1/8 NPT, HEX SOCKET HEAD	2	
25#	24254	SEAL, OIL DUAL LIP	1	
26#	24279	O-RING	2	
27#	24286	CUP BEARING	2	
28#	24287	BEARING, CONE	2	
29	20111	OIL, MOBIL SHC 634/EP 460 22OZ.	2	
30	60096	LOCTITE, #572 WHITE	1	
31	60091	LOCTITE, #242 BLUE	1	
32#	24292	KIT, SHIMS	1	
33	24278	GEARBOX ASSY., RS.....	1.....	INCLUDES ITEMS W/#

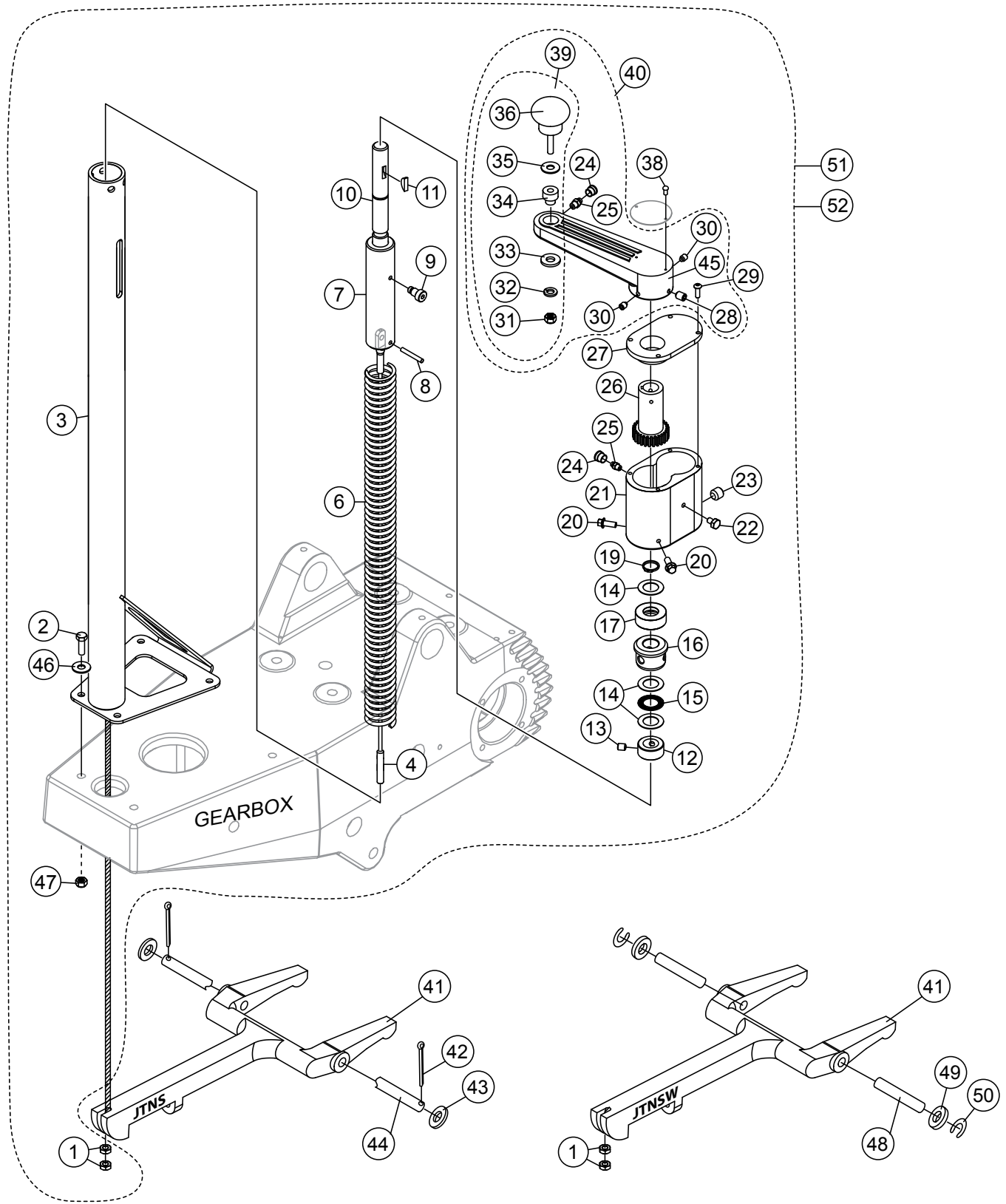
PITCH CONTROL TOWER ASSY.



PITCH CONTROL TOWER ASSY.

<u>NO.</u>	<u>PART NO.</u>	<u>PART NAME</u>	<u>QTY.</u>	<u>REMARKS</u>
1\$#	1116	NUT, BRASS JAM 5/16-18	2	
2\$#	36720	SCREW, HHF 5/16-18 X 3/4" GRD5	4	
3\$#	23582	TOWER, PITCH CONTROL	1	RIGHT SIDE
3\$#	23581	TOWER, PITCH CONTROL	1	LEFT SIDE
4\$#	2008	CABLE ASSY, 25.63"	1	
6\$#	2156	SPRING, HANDLE BALANCE COIL	1	
7\$#	10721	SLIDE BLOCK, PITCH CONTROL	1	RIGHT SIDE
7\$#	10722	SLIDE BLOCK, PITCH CONTROL	1	LEFT SIDE
8\$#	10723	PIN, SPIRAL 3/16 X 1-3/8"	1	
9\$#	24112	PIN, ADJUSTMENT	1	
10\$#	24113	SHAFT, PITCH CONTROL	1	RIGHT SIDE
10\$#	24114	SHAFT, PITCH CONTROL	1	LEFT SIDE
11\$#	0627	KEY, 3/16" X 1-1/4"	1	
12\$#	24109	COLLAR, SET	1	
13\$#	24115	SCREW, SET, 5/16-18 X 1/4"	2	
14\$#	2170	BEARING, RACE	2	
15\$#	2169	BEARING, THRUST	1	
16\$#	1612	BEARING, ALUM., PITCH CONTROL	1	
17\$#	0281	BEARING, THRUST	1	
19\$#	10512	RING, SNAP	1	
20\$#	22021	SCREW, HHFS M8-1.25 X 20 MM, GRD10.9,	2	RIGHT SIDE
21\$#	24107	HOUSING, PITCH CONTROL	1	
22\$#	22021	SCREW, HHFS M8-1.25 X 20 MM, GRD10.9, PATCH	1	LEFT SIDE
23\$#	17109	SCREW, SHSCU M8-1.25 X 8MM	1	
24%\$#	2621	FITTING, GREASE ZERK STR.	2	
25%\$#	24227	CAP, GREASE ZERK	2	
26\$#	24105	GEAR, DRIVE PITCH CONTROL	1	
27\$#	2649	COVER, PITCH CONTROL HOUSING	1	
28%\$#	0185	SCREW, SHS 3/8-16 X 3/8	1	
29\$#	9191	SCREW, BHSC M5-0.8 X 16MM	4	

PITCH CONTROL TOWER ASSY.(CONTINUED)



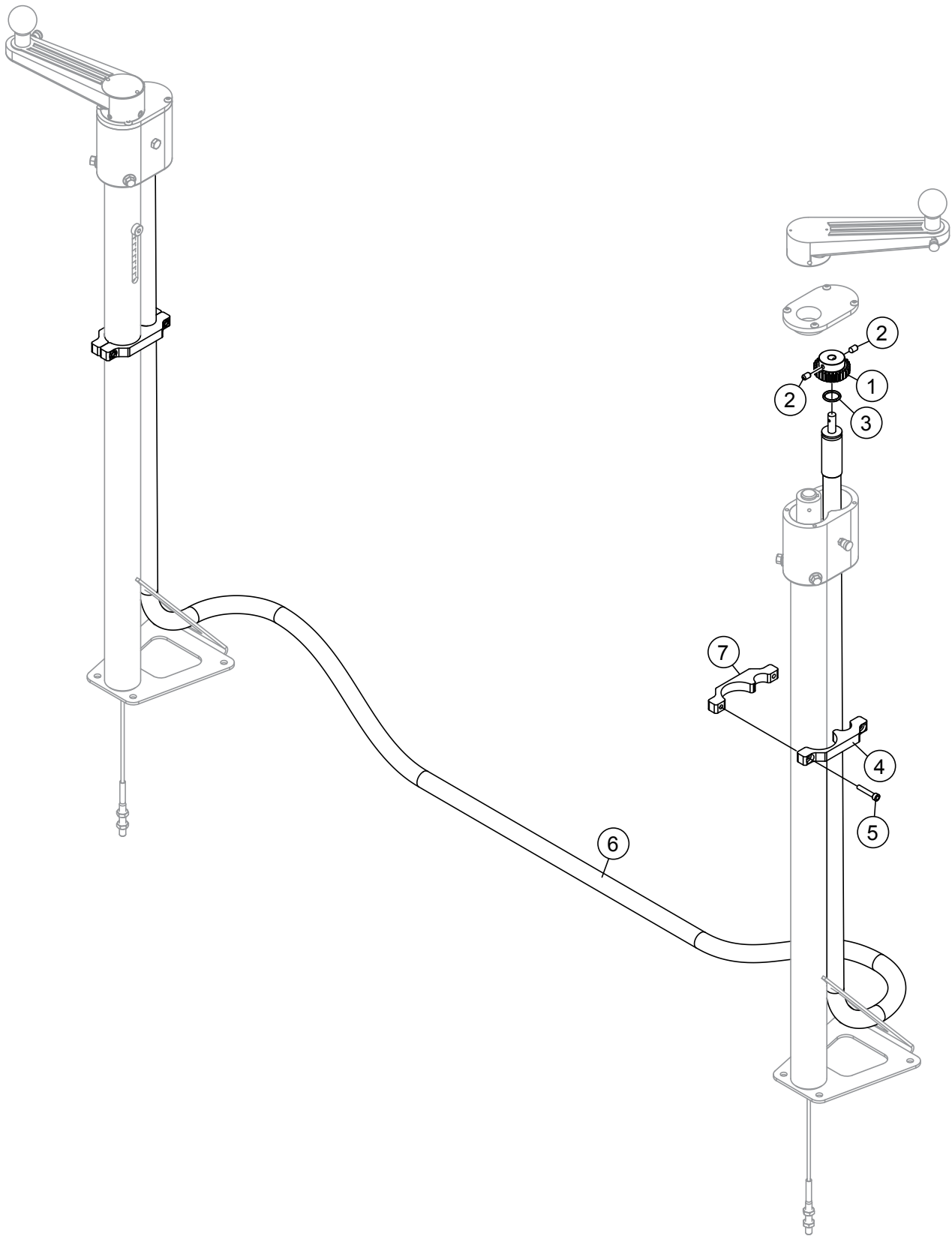
PITCH CONTROL TOWER ASSY.(CONTINUED)

NO.	PART NO.	PART NAME	QTY.	REMARKS
30%\$#	24091	SCREW, SHS 1/4-20 X 5/16"	2	
31 @%\$#	24093	HEX NUT, M8 X 1-1/4" NYLOC	1	
32 @%\$#	24096	WASHER, M8 SPLIT LOCK	1	
33 @%\$#	13351	WASHER, FLAT 3/8 EXT THICK HIGH STRENGTH	1	
34 @%\$#	24094	SPACER	1	
35 @%\$#	10136	WASHER, FLAT SAE 3/8"	1	
36 @%\$#	24095	KNOB W/ BOLT	1	
38\$#	4014	SCREW, #2, 3/16 P-K TYPE U-DRIVE	2	
39%\$#	24092	KNOB, KIT	1	INCLUDES ITEMS W/@
40\$#	24090	LEVER ASSY., TROWEL ADJ	1	INCLUDES ITEMS W/%
41	1150	YOKE ARM	2	JTNS/JTNSW
42	24193	PIN, COTTER 2.5MM X 30MM	4	JTNS
43	10136	WASHER, FLAT SAE 7/16"	4	JTNS
44	1151	YOKE ARM PIN	2	JTNS
45%\$#	1615	LEVER, TROWEL ADJ.	1	
46\$#	0300B	WASHER, FLAT 5/16"	4	
47\$#	5283	NUT, NYLOCK 5/16"	4	
48	20801	PIN, YOKE ARM.....	1	JTNSW
49	22292	SPACER.....	4	JTNSW
50	20802	RING SNAP	4	JTNSW
51	24108	TOWER ASSY. PITCH CONTROL, RH	1	INCLUDES ITEMS W/\$
52	24098	TOWER ASSY. PITCH CONTROL, LH	1	INCLUDES ITEMS W/#

NOTICE

Indicated quantities are for one pitch control drive assembly. If ordering for two pitch control drives, double the quantity.

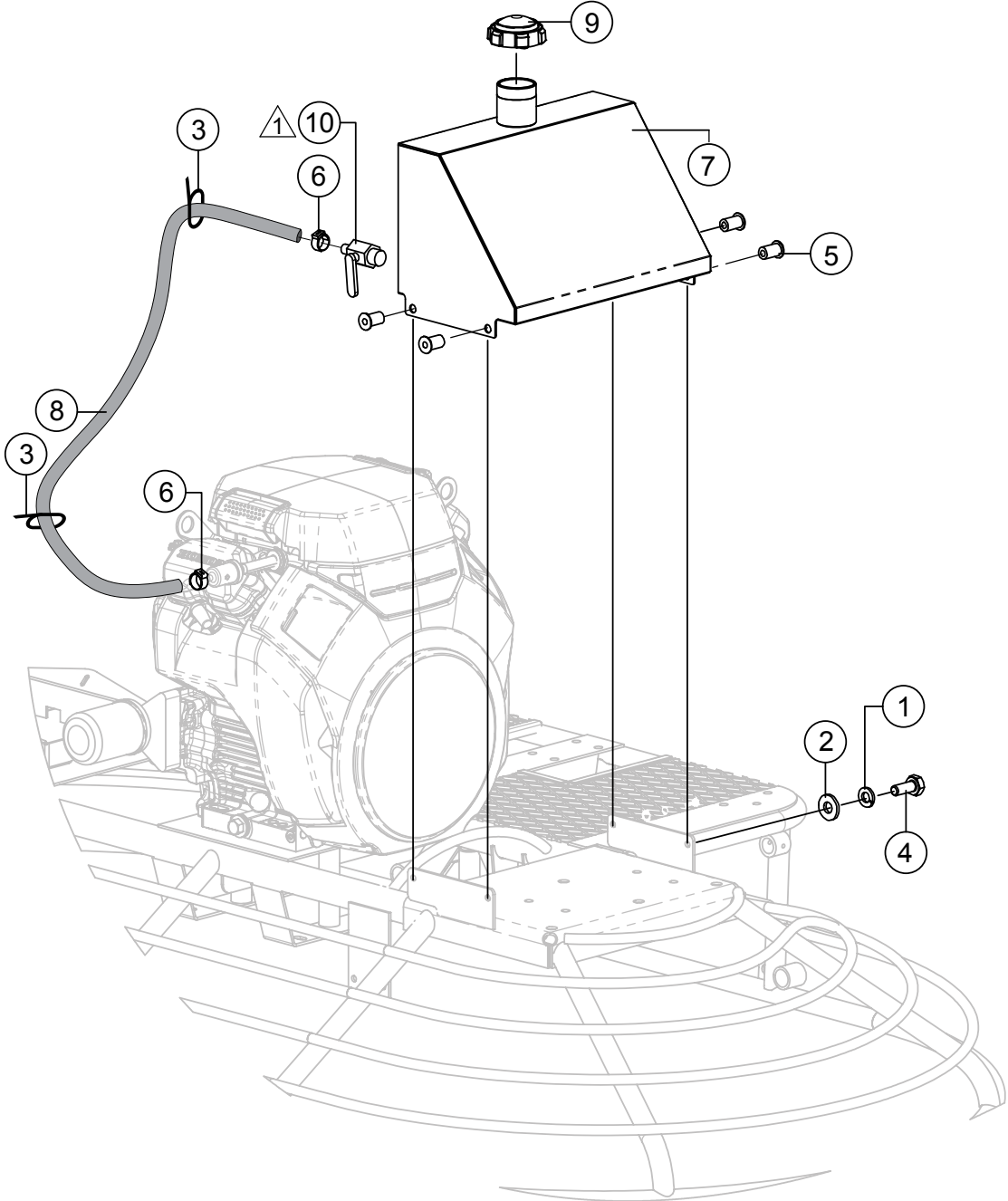
PITCH CONTROL DRIVE CABLE ASSY.



PITCH CONTROL DRIVE CABLE ASSY.

<u>NO.</u>	<u>PART NO.</u>	<u>PART NAME</u>	<u>QTY.</u>	<u>REMARKS</u>
1	23036	GEAR, PITCH CONTROL	2	
2	24180	SCREW, SHS M5-0.8 X 10MM	4	
3	9196	O-RING	2	
4	24129	CLAMP, PITCH CABLE	2	
5	37325	SCREW, SHC M5-0.8 X 30MM	4	
6	24258	DRIVE CABLE, PITCH CONTROL	1	
7	24130	CLAMP, PITCH CABLE, THREADED	2	

FUEL TANK ASSY.

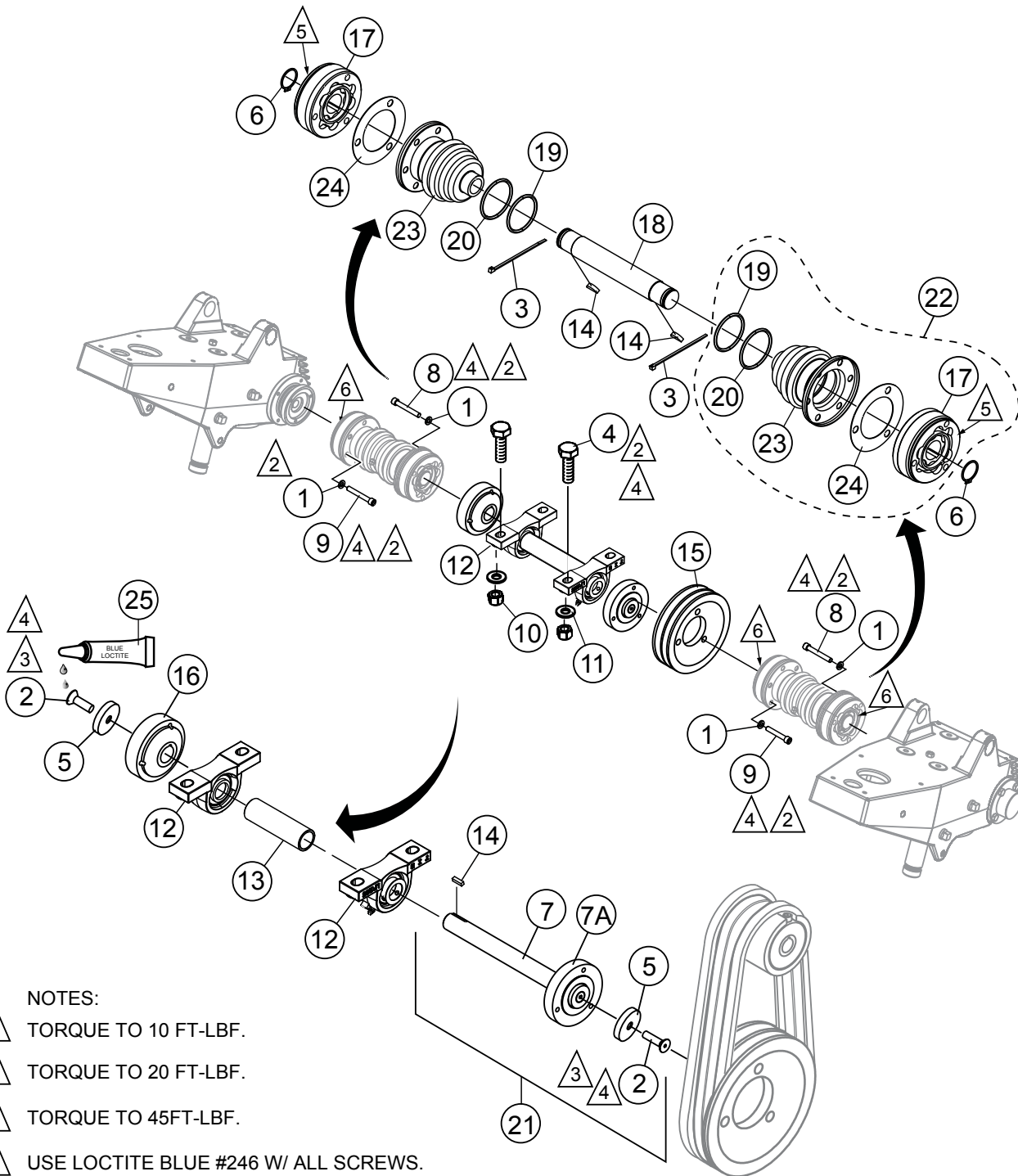


NOTES:
1 USE FUEL RATED THREAD SEALANT ON PETCOCK THREADS.

FUEL TANK ASSY.

<u>NO.</u>	<u>PART NO.</u>	<u>PART NAME</u>	<u>QTY.</u>	<u>REMARKS</u>
1	0181 B	WASHER, LOCK 1/4" MED	4	
2	0948	WASHER, FLAT SAE 1/4"	4	
3	1662	TIE, CABLE TY-RAP BLACK	2	
4	4514	SCREW, HHC 1/4-20 X 5/8" GRD 5	4	
5	19266	NUT, BLIND 1/4-20	4	
6	22067	CLAMP, STEPLESS EAR	2	
7	24173	FUEL TANK	1	
8	24213	FUEL HOSE, 8MM X 14MM X 450MM	1	
9	24224	CAP, RED	1	
10	24257	VALVE, M14 - 8MM BARB	1	

DRIVE ASSY.



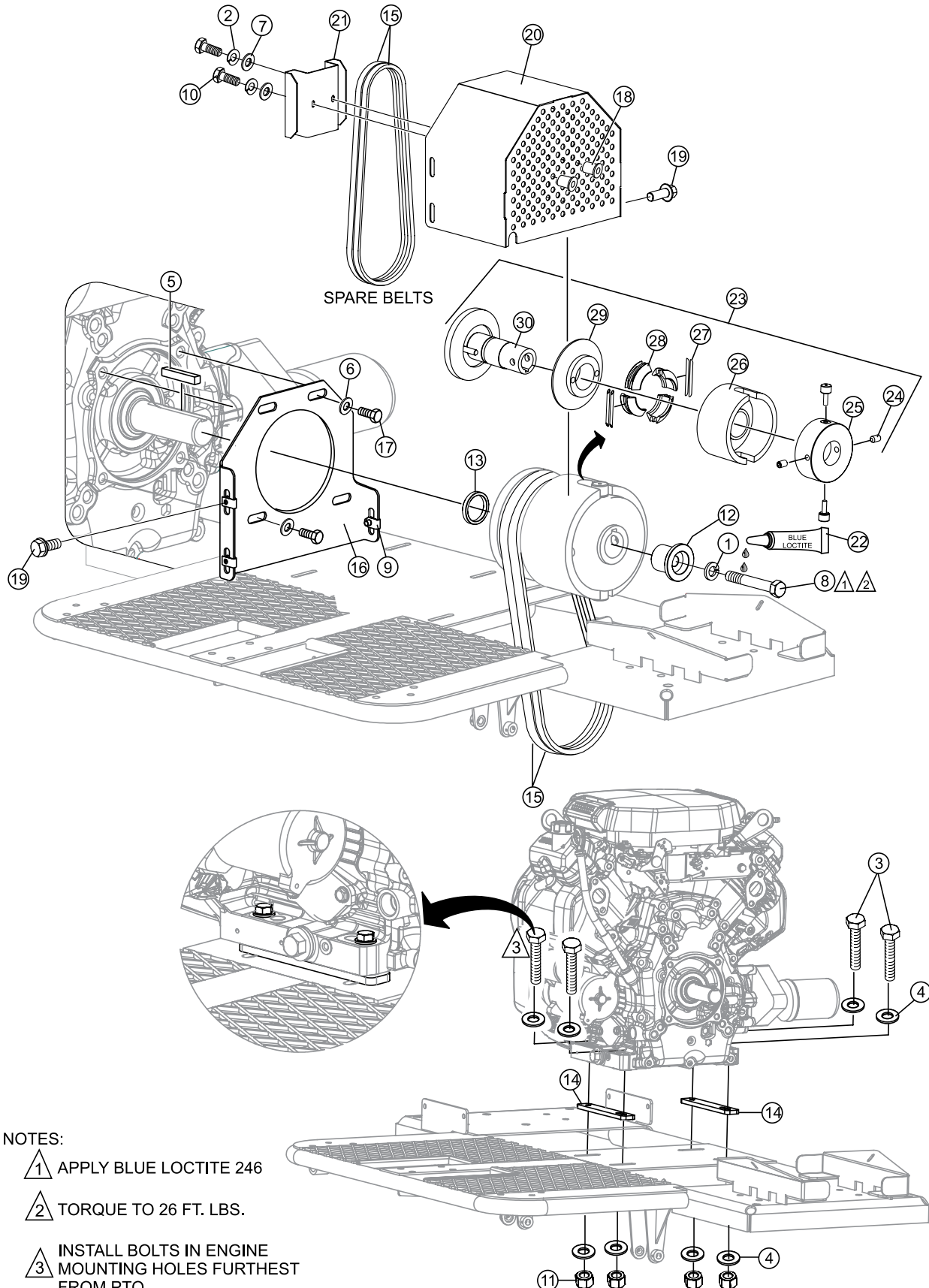
NOTES:

- ▲1 TORQUE TO 10 FT-LBF.
- ▲2 TORQUE TO 20 FT-LBF.
- ▲3 TORQUE TO 45FT-LBF.
- ▲4 USE LOCTITE BLUE #246 W/ ALL SCREWS.
- ▲5 APPLY LIGHT COATING RTV SILICONE.
- ▲6 APPLY NLG1#2 GREASE TO C.V. JOINT CAVITY.

DRIVE ASSY.

<u>NO.</u>	<u>PART NO.</u>	<u>PART NAME</u>	<u>QTY.</u>	<u>REMARKS</u>
1	0161 C	WASHER, LOCK 5/16" MED	12	
2\$	1146	SCREW, FHSC 5/16-18 X 1", NYLOC	1	
3	1662	TIE, CABLE TY-RAP BLACK	4	
4	1665	SCREW, HHC 3/8-16 X 2"	4	
5\$	2037	SPACER	1	
6	2090	SNAP RING, EXTERNAL, 1-1/16" DIA	4	
7\$	10903	SHAFT DRIVE BEARING	1	
8	2186	SCREW, SHC 5/16-18 X2-1/4 PLTD	9	
9	2187	SCREW, SHC 5/16-18 X2-1/2 GRD5 PLTD	3	
10	10133	NUT, NYLOC 3/8-16	4	
11	10136	WASHER, FLAT SAE 3/8"	4	
12	10337	BEARING, P-BLOCK	2	
13	10514	SPACER	1	
14\$	10909	KEY, 3/16" SQ X 11/16"	5	
15	11047	PULLEY, 5-41/64" OD, 138 RPM	1	
16	24124	COUPLER, C.V. SHAFT DRIVE RIDER	1	
17#	24253	JOINT, C.V.	4	
18	24138	SHAFT, C.V. JOINT 8.13L	2	
19#	22220	O-RING	2	
20#	22219	O-RING	2	
21	2129	SHAFT ASSY. PILLOW BLOCK BEARINGS	1	INCLUDES ITEMS W/\$
22%	24127	JOINT, C.V. W/ BOOT AND O-RINGS	1	INCLUDES ITEMS W/#
23#	24255	BOOT ASM., C.V. JOINT	1	
24#	24235	GASKET, C.V. JOINT BOOT	1	
25	60097	LOCTITE, #246 BLUE	1	

ENGINE MOUNTING AND CLUTCH ASSY.



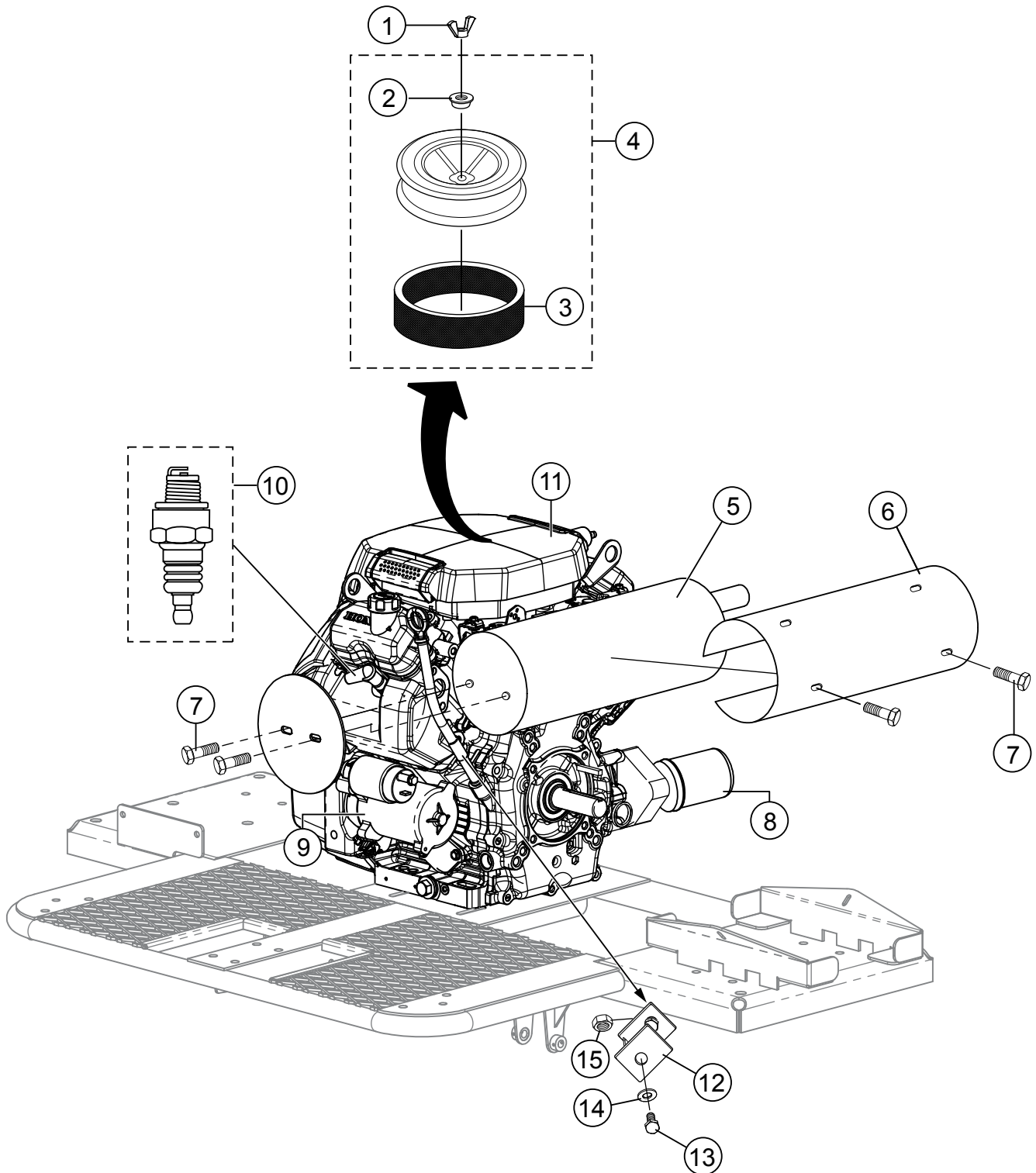
NOTES:

- 1 APPLY BLUE LOCTITE 246
- 2 TORQUE TO 26 FT. LBS.
- 3 INSTALL BOLTS IN ENGINE MOUNTING HOLES FURTHEST FROM PTO.

ENGINE MOUNTING AND CLUTCH ASSY.

<u>NO.</u>	<u>PART NO.</u>	<u>PART NAME</u>	<u>QTY.</u>	<u>REMARKS</u>
1	0166 A	WASHER, LOCK, 3/8" MED.	1	
2	0181 B	WASHER, LOCK 1/4" MED	2	
3	0300 A	SCREW, HHC 5/16-18" X 2"	4	
4	0300 B	WASHER, FLAT SAE 5/16"	8	
5	0310	KEY, 1/4" SQ X 1-1/2"	1	
6	0448	WASHER, FLAT SAE 7/16"	4	
7	0948	WASHER, FLAT SAE 1/4"	2	
8	2667	SCREW, HHC 3/8-24 X 2-1/2"	1	
9	24174	NUT, "U" TYPE, M8 X 1.25	3	
10	4514	SCREW, HHC 1/4-20 X 5/8" GRD 5	2	
11	5283	NUT, NYLOC 5/16-18"	4	
12	9123	DRIVE PULLEY RETAINER	1	
13	10948	SPACER	1	
14	10984	SPACER, ENGINE MOUNT	2	
15	11064	BELT, A36, GATES HP-II	4	
16	24172	BACK PANEL, BELT GUARD	1	
17	24252	SCREW, HHC 7/16-14 X 0.75"	4	
18	19266	NUT, BLIND 1/4-20 X .027-.165	2	
19	22021	SCREW, HEX FLANGE M8-1.25 x 20MM GRD10	3	
20	24171	BELT GUARDT	1	
21	24106	BELT HOLDER, SPARE BELT	1	
22	60097	LOCTITE, #246 BLUE	1	
23	24143	CLUTCH, 35°, 4" POS-GRIP ASSY, 1" BORE	1	INCLUDES ITEMS W/\$
24\$	1893	SCREW, SHS 3/8-24 X 5/8", ZINC PLATED	2	
25\$	24155	CLUTCH PLATE ASSY. 35° W/ BEARINGS	1	
26\$	2504	BOWL, CLUTCH 35°	1	
27\$	2450	WEIGHT SPRING, 4" CLUTCH	2	
28\$	2451	WEIGHT, 4" POSI GRIP CLUTCH	4	
29\$	1886	PULLEY, CLUTCH CENTER SLIDER, 4"	1	
30\$	1882	STEM CLUTCH ASSEMBLY	1	

ENGINE COMPONENTS

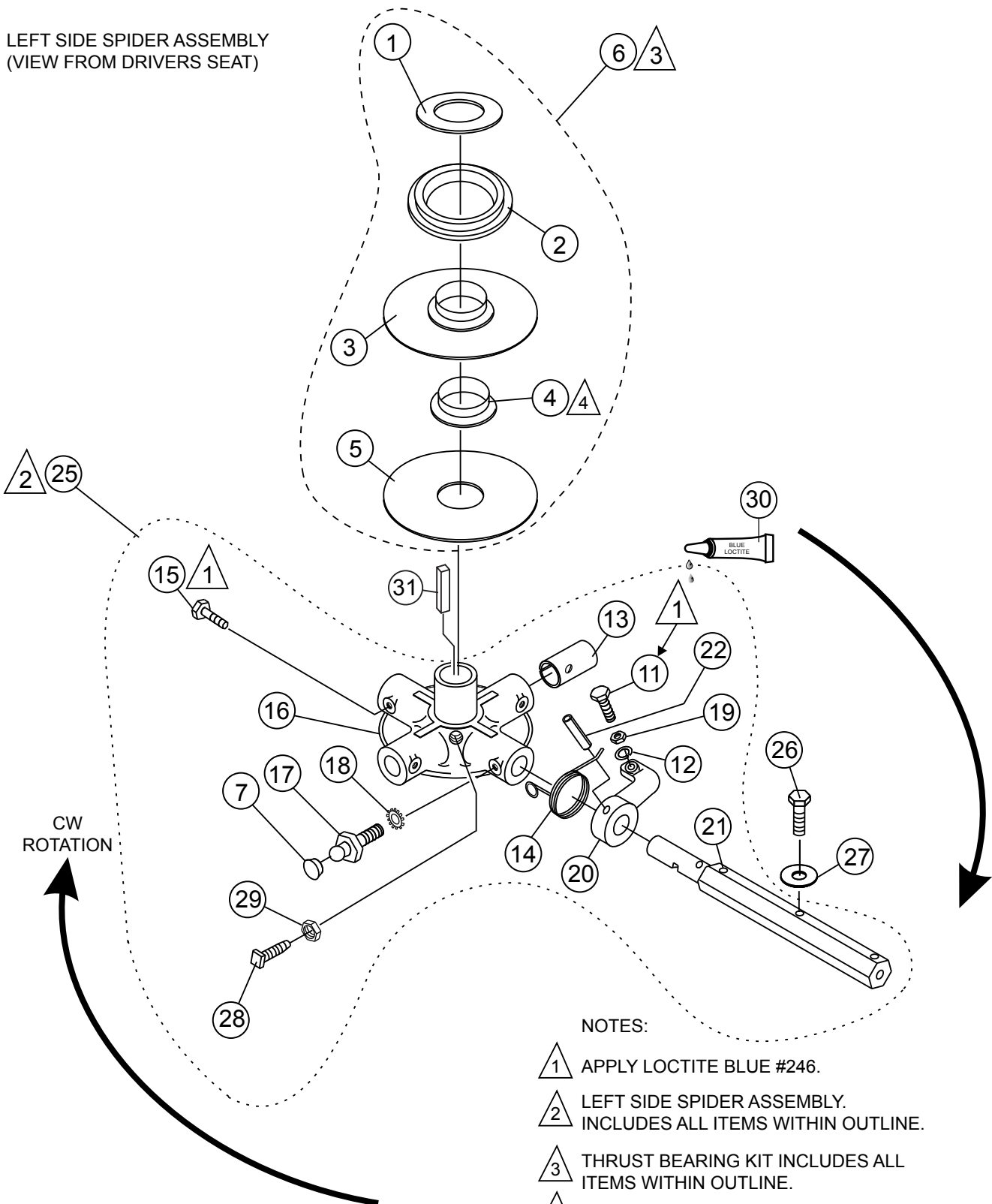


ENGINE COMPONENTS

<u>NO.</u>	<u>PART NO.</u>	<u>PART NAME</u>	<u>QTY.</u>	<u>REMARKS</u>
1	90325-044-000	NUT, TOOL BOX SETTING	1	
2#	17232-Z2E-000	GROMMET, AIR CLEANER	1	
3#	17218-Z6L-000	AIR FILTER, OUTER	1	
4	17210-Z6L-010	ELEMENT COMP., AIR CLEANER.....	1.....	INCLUDES ITEMS W/#
5	24142	MUFFLER	1	
6	24145	COVER, MUFFLER	1	
7	24147	SCREW, HHFS, M8-1.25 X 12MM	8	
8	15410-Z6L-800	CARTRIDGE, OIL FILTER	1	
9	31200-Z6L-003	STARTER, MOTOR ASSY	1	
10	98079-5587G	SPARK PLUG (ZFR5F)	2	
11	22618	ENGINE, HONDA GX630RQZB2	1	
12	23772	BRACKET, DIP STICK MOUNTING	1	
13	2295	SCREW	1	
14	0948	WASHER, FLAT SAE 1/4	1	
15	10024	NUT, NYLOC 1/4-20	1	

SPIDER ASSY. (LEFT)

LEFT SIDE SPIDER ASSEMBLY
(VIEW FROM DRIVERS SEAT)



NOTES:

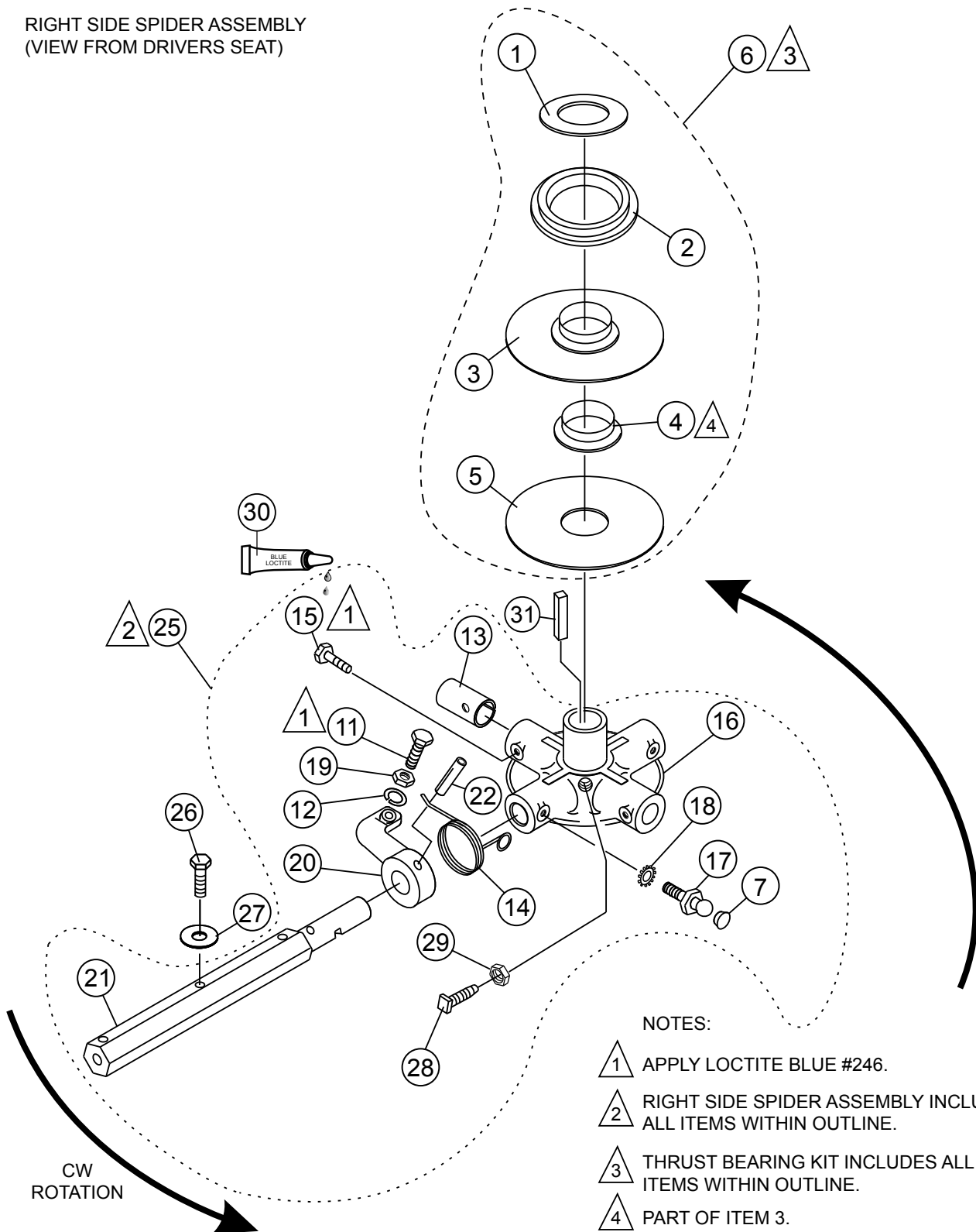
- 1 APPLY LOCTITE BLUE #246.
- 2 LEFT SIDE SPIDER ASSEMBLY.
INCLUDES ALL ITEMS WITHIN OUTLINE.
- 3 THRUST BEARING KIT INCLUDES ALL
ITEMS WITHIN OUTLINE.
- 4 PART OF ITEM 3.

SPIDER ASSY. (LEFT)

<u>NO</u>	<u>PART NO</u>	<u>PART NAME</u>	<u>QTY.</u>	<u>REMARKS</u>
1\$	12208	WEAR RING	1	
2\$	12778	FLANGE BEARING	1	
3\$	10793	THRUST COLLAR W/ BUSHING	1.....	INCLUDES ITEM W/%
4\$%	1471	BUSHING	1	
5\$	1154 A	LOWER WEAR PLATE	1	
6	10968	THRUST BEARING KIT.....	1.....	INCLUDES ITEMS W/\$
7#	24227	CAP, GREASE ZERK	4	
11#	0164 B	SCREW, HHC 3/8-16 X 1-1/4", ROUNDED.	4	
12#	0166 A	WASHER, LOCK, 3/8" MED.	4	
13#	1157 A	BUSHING, TROWEL SMALL ARM	4	
14#	1316	SPRING, LS ARM RETURN	4	
15#	11602	SCREW, HHC 3/8-16 X 3/8"	4	
16#	11876-G	SPIDER PLATE, 1-1/8" SHAFT,4-BLD, GREEN	1	
17#	1322	SCREW, RETAINING, ZERK	4	
18#	1875	WASHER, INT. SHKP, 3/8"	4	
19#	1876	NUT, HEX JAM 3/8-16	4	
20#	1163-G	LEVER, TROWEL RH, GREEN	4	
21#	2826-G	ARM, TROWEL, 9-3/4", GREEN	4	
22#	4164	PIN, ROLL 5/16" X 2"	4	
25	24268	SPIDER ASSY, 4BLD, LS.....	1.....	INCLUDES ITEMS W/#
26	0105	SCREW, HHC 5/16-18 X 1-1/2"	4	
27	0161 C	LOCK WASHER 5/16"	8	
28#	12097	SCREW, SQHS 3/8-16x1-3/4" GRD 8	1	
29#	1456	NUT, HEX 3/8-16	1	
30	60091	LOCTITE, #242 BLUE	1	
31	1141	KEY, 5/16" SQ X 2-5/8"	1	

SPIDER ASSY. (RIGHT)

RIGHT SIDE SPIDER ASSEMBLY
(VIEW FROM DRIVERS SEAT)



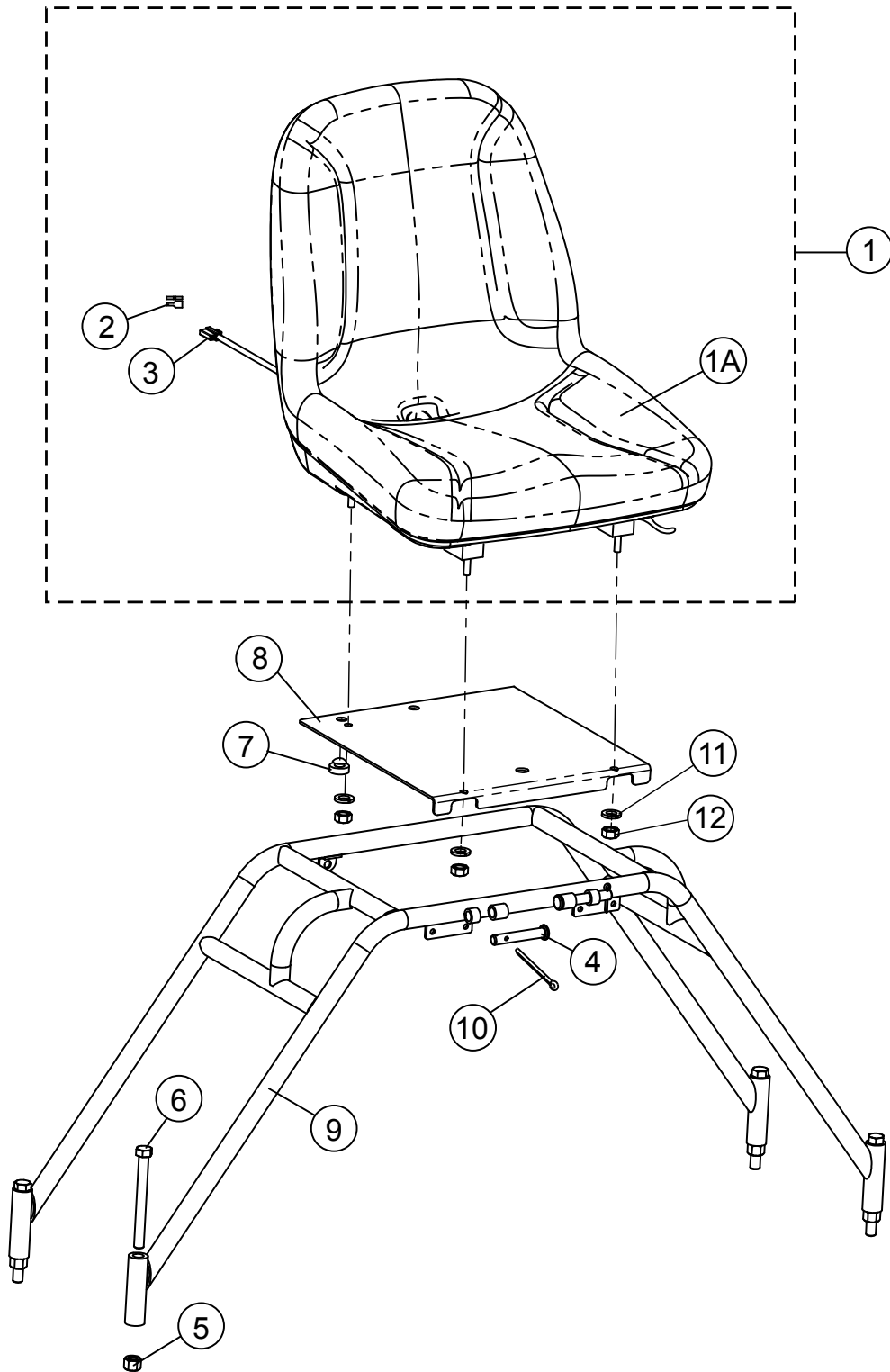
NOTES:

- ▲ 1 APPLY LOCTITE BLUE #246.
- ▲ 2 RIGHT SIDE SPIDER ASSEMBLY INCLUDES ALL ITEMS WITHIN OUTLINE.
- ▲ 3 THRUST BEARING KIT INCLUDES ALL ITEMS WITHIN OUTLINE.
- ▲ 4 PART OF ITEM 3.

SPIDER ASSY. (RIGHT)

<u>NO</u>	<u>PART NO</u>	<u>PART NAME</u>	<u>QTY.</u>	<u>REMARKS</u>
1\$	12208	WEAR RING	1	
2\$	12778	FLANGE BEARING	1	
3\$	10793	THRUST COLLAR W/ BUSHING	1.....	INCLUDES ITEM W/%
4\$%	1471	BUSHING	1	
5\$	1154 A	LOWER WEAR PLATE	1	
6	10968	THRUST BEARING KIT.....	1.....	INCLUDES ITEMS W/\$
7#	24227	CAP, GREASE ZERK	4	
11#	0164 B	SCREW, HHC 3/8-16 X 1-1/4" ROUNDED.	4	
12#	0166 A	WASHER, LOCK, 3/8" MED.	4	
13#	1157 A	BUSHING,TROWEL SMALL ARM	4	
14#	1317	SPRING, R.S. ARM RETURN	4	
15#	11602	SCREW, HHC 3/8-16 X 3/8"	4	
16#	11876-G	SPIDER PLATE, 1-1/8" SHAFT, 4-BLD, GREEN	1	
17#	1322	SCREW, RETAINING	4	
18#	1875	WASHER, INT. SHKP, 3/8"	4	
19#	1876	NUT, HEX JAM 3/8-16	4	
20#	1555-G	LEVER, TROWEL, LH, GREEN	4	
21#	2826-G	ARM, TROWEL 9-3/4", GREEN	4	
22#	4164	PIN, ROLL 5/16" X 2"	4	
25	24270	SPIDER ASSY, 4BLD, RS.....	1.....	INCLUDES ITEMS W/#
26	0105	SCREW, HHC 5/16-18 X 1-1/2"	4	
27	0161 C	LOCK WASHER 5/16"	8	
28#	12097	SCREW, SQHS 3/8-16x1-3/4" GRD 8	1	
29#	1456	NUT, HEX 3/8-16	1	
30	60091	LOCTITE, #242 BLUE	1	
31	1141	KEY, 5/16" SQ X 2-5/8"	1	

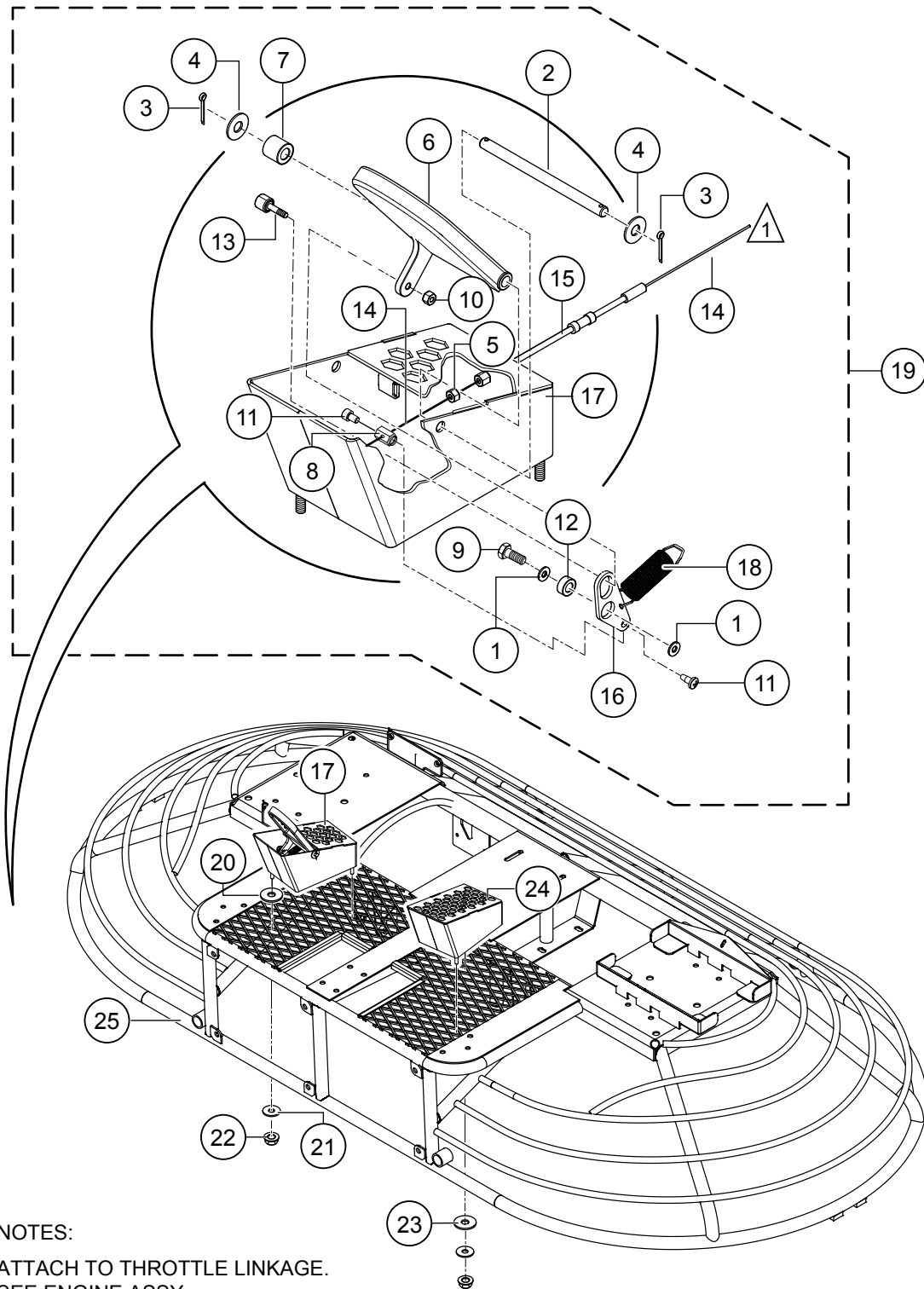
SEAT FRAME ASSY.



SEAT FRAME ASSY.

<u>NO.</u>	<u>PART NO.</u>	<u>PART NAME</u>	<u>QTY.</u>	<u>REMARKS</u>
1	24120	SEAT ASSY.....	1.....	INCLUDES ITEMS W/\$
1A\$	24203	SEAT	1	
2\$	24233	TERMINAL, FEMALE	2	
3\$	24234	CONNECTOR BODY, MALE	1	
4	8081	PIN, CLEVIS 1/2" X 2- 3/4"	2	
5	10176	NUT, NYLOC 1/2-13	4	
6	10307	SCREW, HHC 1/2-13 X 5"	4	
7	21597	BUMPER, STEM	3	
8	24118	SEAT PLATE	1	
9	24119	FRAME, SEAT	1	
10	24193	PIN, COTTER, 2.5 X 30MM	2	
11	24096	WASHER, M8 SPLIT LOCK	4	
12	24251	NUT, M8-P1.25	4	

FOOT PEDAL ASSY.



NOTES:
 △ 1 ATTACH TO THROTTLE LINKAGE.
 SEE ENGINE ASSY.

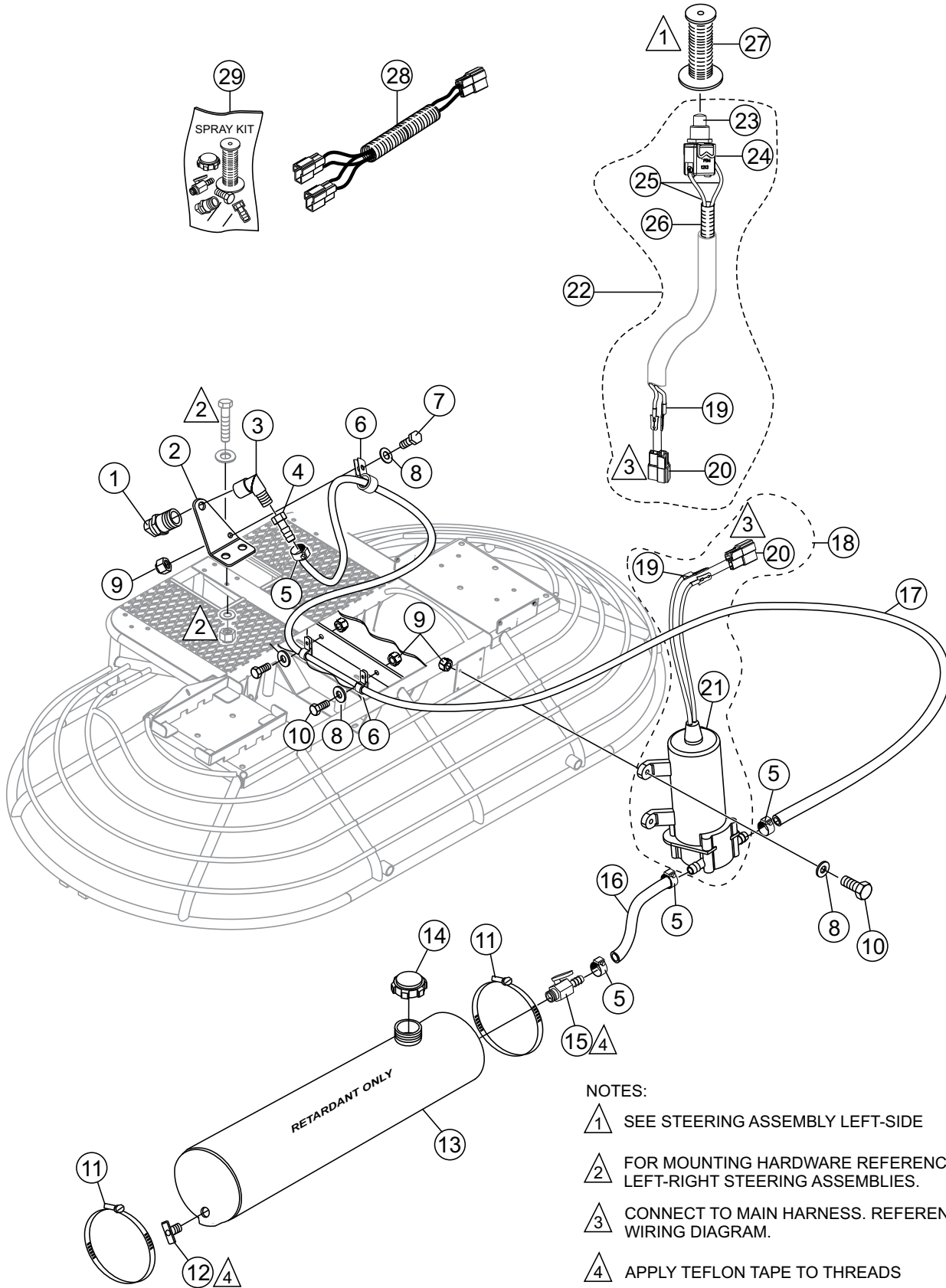
FOOT PEDAL ASSY.

<u>NO.</u>	<u>PART NO.</u>	<u>PART NAME</u>	<u>QTY.</u>	<u>REMARKS</u>
1@	0300 B	WASHER, FLAT SAE 5/16"	2	
2@	2772	PIN, ACCELERATOR PEDAL	1	
3@	24193	PIN, COTTER, 2.5 X 30MM	2	
4@	10136	WASHER, FLAT SAE 3/8"	2	
5@	24190	NUT, NYLOC	1	
6@	23591	PEDAL, ACCELERATOR	1	
7@	23596	SPACER, PEDAL	1	
8@	24170	STOPPER, WIRE	1	
9@	24179	SCREW, HHC M6-1.0 X 20MM	1	
10@	24186	NUT, NYLOC, M4 X 0.7	1	
11@	24187	SCREW, TRUSS HEAD, M5 X 0.8 X 8MM	2	
12@	24192	BALL BEARING	1	
13@	24211	BEARING, CAM FOLLOWER	1	
14@	24214	CABLE, THROTTLE, INNER	1	
15@	24215	CASING, THROTTLE WIRE	1	
16@	24225	LINKAGE, ACCELERATOR PEDAL	1	
17@	24239	FOOT RISER, ACCELERATOR SIDE	1	
18@	37527	SPRING	1	
19	24275	ACCELERATOR PEDAL, ASSY.....	1	INCLUDES ITEMS W/@
20	13351	WASHER, FLAT 3/8" EXT THICK HIGH STRENGTH	1	
21	24096	WASHER, M8 SPLIT LOCK	4	
22	24093	HEX NUT, M8 X 1-1/4" NYLOC	4	
23	3233	WASHER, FENDER, 1-1/2" OD X 3/8" ID	2	
24	24245	FOOT RISER	1	
25	24163	FRAME	1	

BATTERY ASSY.

<u>NO.</u>	<u>PART NO.</u>	<u>PART NAME</u>	<u>QTY.</u>	<u>REMARKS</u>
1	19847	POP RIVET	4	
2	24137	NUT, HEX FINISH M6 X 1.0, NO PLATE	2	
3	24150	BATTERY BOX	1	
4	24151	BATTERY,WET, 36B20	1	
5	24152	BRACKET, BATTERY HOLD DOWN	1	
6	24153	BOLT, BATTERY BOX	2	
7	24154	BATTERY TERMINAL (POSITIVE)	1	
8	24161	BRACKET, BATTERY	1	
9	24162	SPONGE	2	
10	24223	BATTERY TERMINAL (NEGATIVE)	1	
11	24236	CABLE, BATTERY POS, 35MM ² X 990MM	1	
12	24237	CABLE, BATTERY NEG, 35MM ² X 490MM	1	
13	24238	CABLE, BATTERY NEG, 35MM ² X 390MM	1	
14	24288	NUT, WING, M6 X 1.0	2	
15	24289	WASHER, LOCK, M6	2	

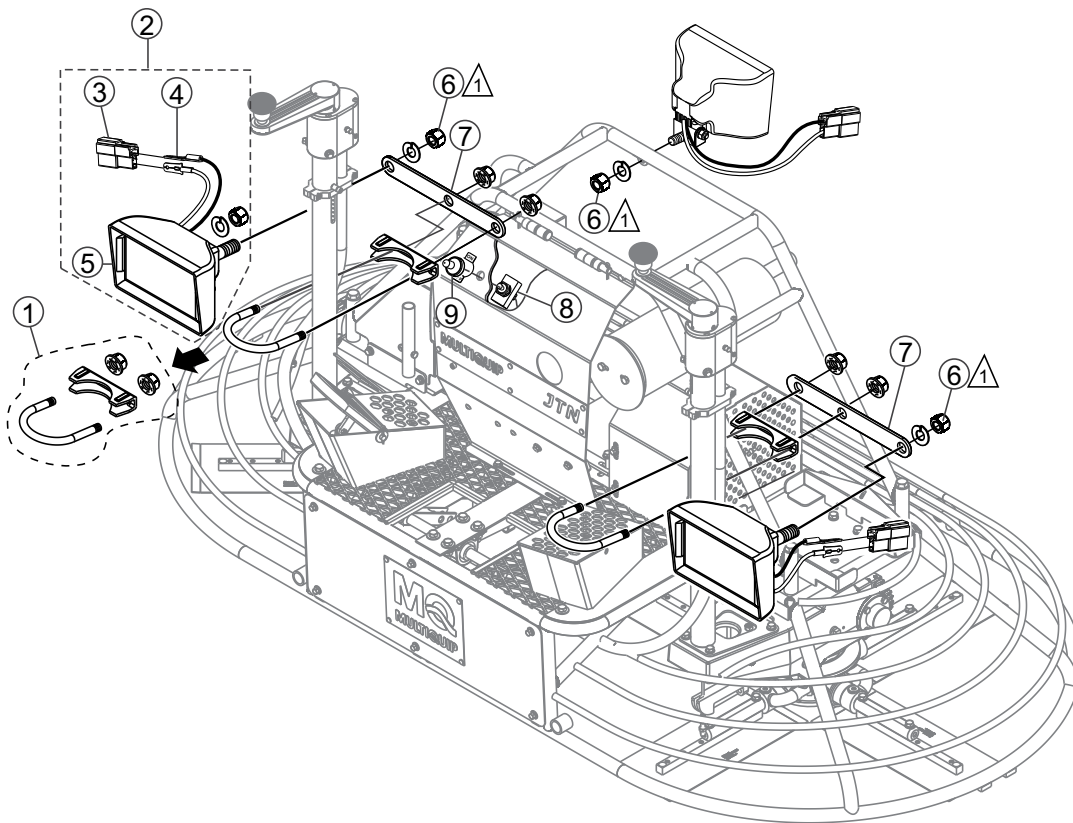
SPRAY TANK ASSY.



SPRAY TANK ASSY.

<u>NO.</u>	<u>PART NO.</u>	<u>PART NAME</u>	<u>QTY.</u>	<u>REMARKS</u>
1#	24219	NOZZLE, SPRAY, 1/4-19 PT MALE	1	
2#	11222	MOUNTING BRACKET, SPRAY NOZZLE	1	
3#	24216	FITTING, BRASS 90° 1/4 MALE X 1/4 FEMALE	1	
4#	24220	FITTING, PF 1/4"- 10MM DIA	1	
5#	24221	CLAMP, HOSE WORM, 12-15 MM	4	
6#	24290	CLAMP, HOSE SUPPORT, 7-16 MM DIA	3	
7#	4514	SCREW, HHC 1/4-20 X 5/8" GRD5	1	
8#	0948	WASHER, FLAT SAE 1/4"	7	
9#	10024	NUT, NYLOC 1/4-20	7	
10#	0131 A	SCREW, HHC 1/4-20 X 3/4"	6	
11#	2398	CLAMP, HOSE WORM	2	
12#	2478	FITTING, PETCOCK RAD DRAIN 1/4 MP	1	
13#	24178	RETARDANT TANK	1	
14#	24212	CAP, BLUE	1	
15#	24257	VALVE, M14 - 8MM BARB	1	
16#	24217	HOSE, 8 MM ID X 12MM OD X 415MM LG	1	
17#	24218	HOSE, 8 MM ID X 12MM OD X 900MM LG	1	
18#	24204	PUMP, SPRAY KIT	1	INCLUDES ITEMS W/%
19%\$	24201	TERMINAL, MALE 16-14 GA	2	
20%\$	24202	CONNECTOR, 2 WIRE MALE TERMINIAL	1	
21%	24205	PUMP, SPRAY, 12VDC	1	
22#	24276	SWITCH ASSY.	1	INCLUDES ITEMS W/\$
23\$	24199	SWITCH, PUSH BUTTON, 4A, 12 VDC	1	
24\$	24169	HOLDER, SPRAY SWITCH	1	
25\$	24276-3	WIRE, 1.25 SQCM, BLACK, 79" LG	2	
26\$	60221	LOOM, .375 SPLIT, 6.4 FT	2	1PC = 1FT
27#	22762	GRIP, HANDLE W/ .63 HOLE	1	
28#	24232	HARNESS, SPRAY KIT,	1	
29	23658	KIT, SPRAY	1	INCLUDES ITEMS W/#

LIGHTS ASSY.



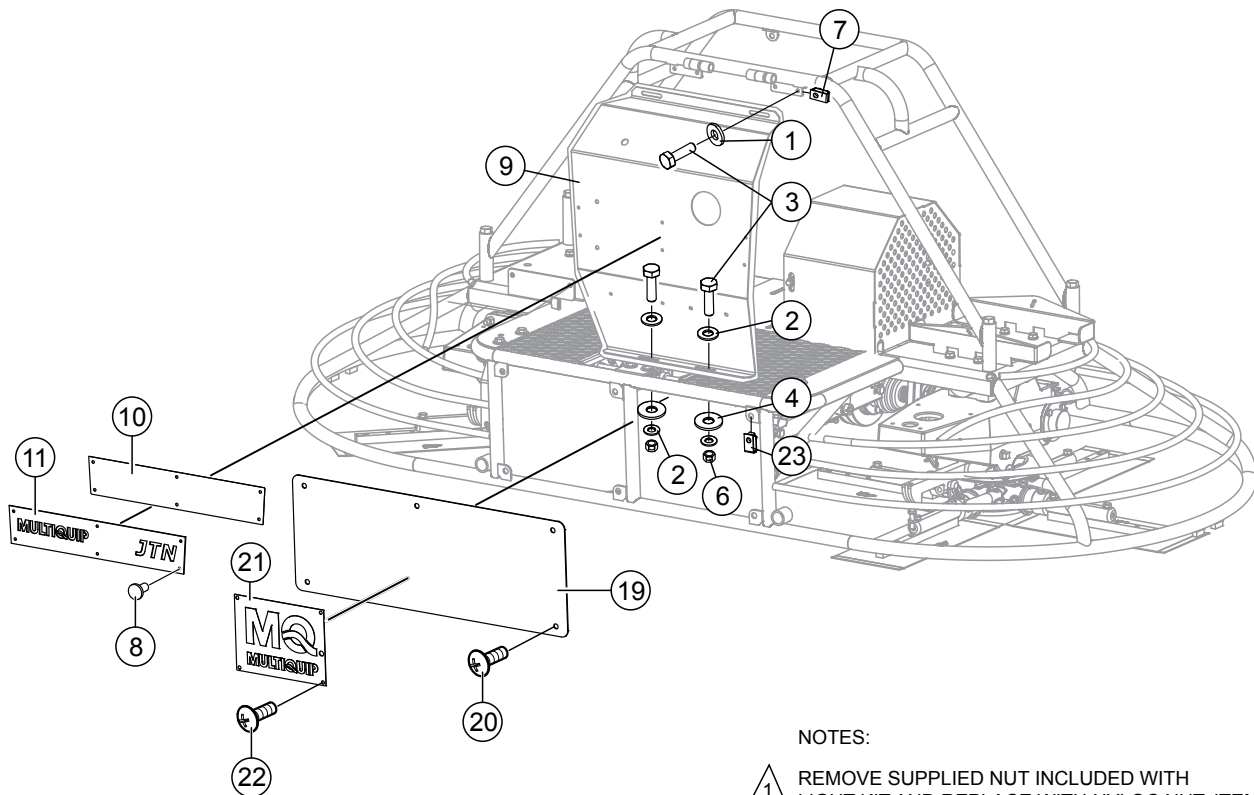
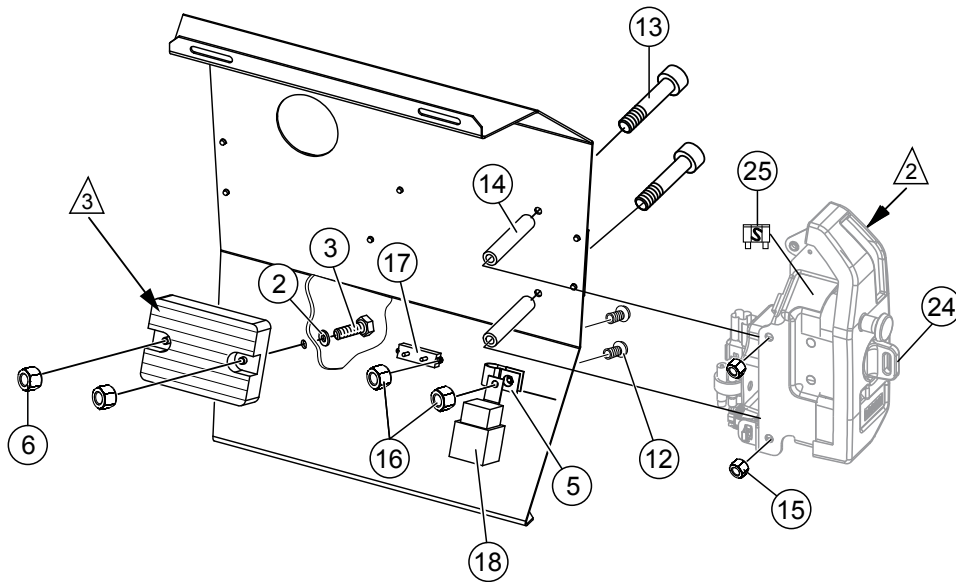
NOTES:

- 1 REMOVE SUPPLIED NUT INCLUDED WITH LIGHT KIT AND REPLACE WITH NYLOC NUT, P/N 24093.

LIGHTS ASSY.

<u>NO.</u>	<u>PART NO.</u>	<u>PART NAME</u>	<u>QTY.</u>	<u>REMARKS</u>
1	24160	CLAMP, 1-3/4" MUFFLER	2	
2	24208	LIGHT ASSY., RECTANGULAR, W/ CON.	3.....	ITEMS INCLUDED W/\$
3\$	24202	CONNECTOR BODY, 2-WIRE MALE TERM.	3	
4\$	24201	TERMINAL, MALE 16-14 GA	6	
5\$	23665	LIGHT, RECTANGULAR	3	
6	24093	NUT, NYLOC M8	3	
7	2531	BRACKET, LIGHT	2	
8	24196	SWITCH, TOGGLE, SPST 20A 125VAC	1	
9	24197	BOOT, TOGGLE SWITCH	1	

FRONT PANEL ASSY.



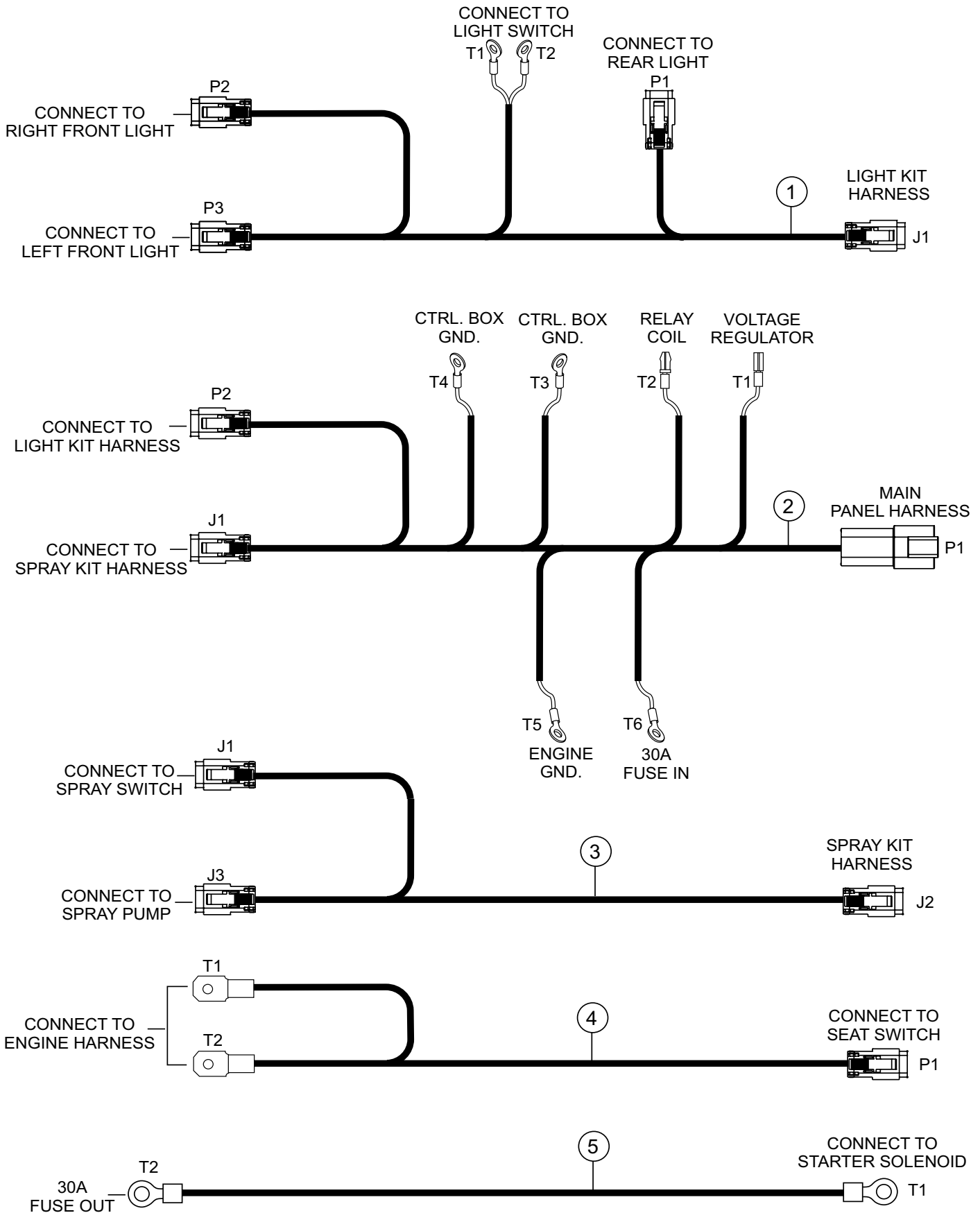
NOTES:

- ▲ 1 REMOVE SUPPLIED NUT INCLUDED WITH LIGHT KIT AND REPLACE WITH NYLOC NUT, ITEM 7.
- ▲ 2 CONTROL BOX INCLUDED WITH ENGINE.
- ▲ 3 REGULATOR INCLUDED WITH ENGINE.

FRONT PANEL ASSY.

<u>NO.</u>	<u>PART NO.</u>	<u>PART NAME</u>	<u>QTY.</u>	<u>REMARKS</u>
1	0181 B	WASHER, LOCK 1/4" MED	2	
2	0948	WASHER, FLAT SAE 1/4"	6	
3	2295	SCREW, HHC 1/4-20 X 7/8"	6	
4	3233	WASHER, FENDER, 1.5OD X 3/8 ID	2	
5	8125	CLAMP,HOSE LOOP, 5/8" DIA X .406 HOLE	1	
6	10024	NUT, NYLOC 1/4-20	4	
7	10284	NUT, PLATE, #10-32, CLIP-ON	2	
8	19847	RIVET, POP, ALUM, 3/16 X 1/8-1/4 GRIP	6	
9	23679	CONTROL PANEL	1	
10	24148	SHEET, TRIM BACKING	1	
11	24149	PANEL, "MULTIQUIP"	1	
12	24187	SCREW, TRUSS HD, M5 X 0.8 X 8MM	3	
13	24188	SCREW, SHCS, M6 X 1.0 X 80MM	2	
14	24189	BOSS, CONTROL BOX	2	
15	24190	NUT, NYLOC, M6 X 1.0	2	
16	24191	NUT, NYLOC, M5 X 0.8	3	
17	24209	CIRCUIT BREAKER, 30A, 12V	1	
18	24210	RELAY, KILL	1	
19	24116	PANEL, FRONT	1	
20	22021	SCREW, HEX FLANGE M8-1.25 X 20MM GRD10	6	
21	24128	LOGO PLATE, MULTIQUIP	1	
22	19847	POP RIVET	4	
23	24174	NUT, "U" TYPE 1/4-20	6	
24	35110-ZV5-V50	KEY IGNITION	1	
25	9820044300	FUSE 30 AMP	1	

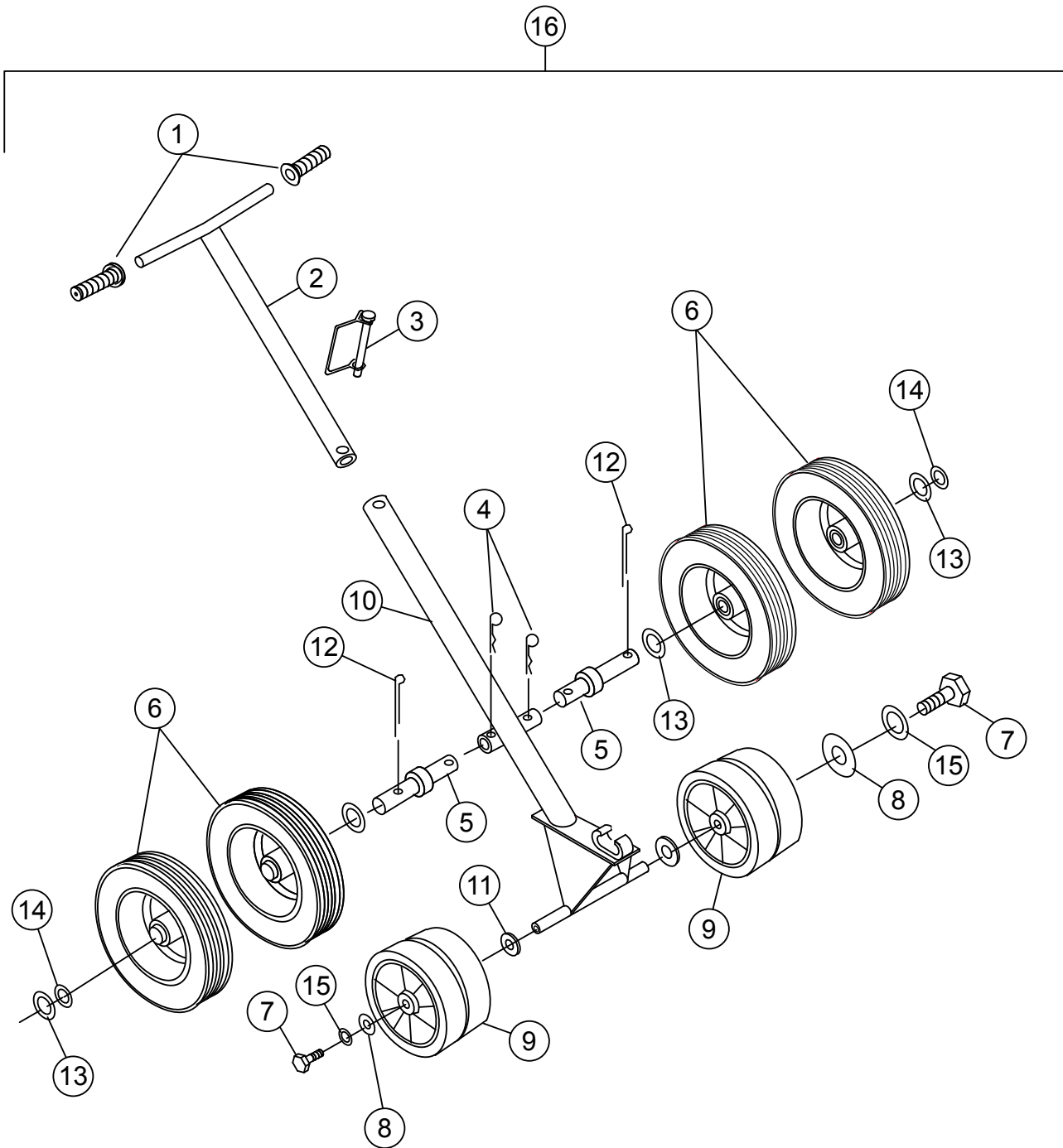
HARNES ASSY.



HARNES ASSY.

<u>NO.</u>	<u>PART NO.</u>	<u>PART NAME</u>	<u>QTY.</u>	<u>REMARKS</u>
1	24231	LIGHT KIT HARNESS	1	
2	23661	MAIN PANEL HARNESS	1	
3	24232	SPRAY KIT HARNESS	1	
4	24230	SEAT SWITCH HARNESS	1	
5	23723	POWER PANEL HARNESS	1	

E-Z MOVER AND LIFT HANDLE ASSY.



E-Z MOVER AND LIFT HANDLE ASSY.

<u>NO.</u>	<u>PART NO.</u>	<u>PART NAME</u>	<u>QTY.</u>	<u>REMARKS</u>
1#	0189	HAND GRIP	2	
2#	2336	UPPER HANDLE	1	
3#	1869	SNAP PIN	1	
4#	7170	CLIP	2	
5#	11684	DOLLY AXLE	2	
6#	10440	WHEEL AND TIRE	2	
7#	0655	SCREW, HHC 5/16-18 x 3/4"	2	
8#	0300 B	FLAT WASHER 5/16"	2	
9#	2364	WHEEL	2	
10#	10445	FRAME	1	
11#	4684	FLAT WASHER 5/8"	2	
12#	0183	COTTER PIN	4	
13#	10446	FLAT WASHER 3/4"	8	
14#	8151	FLAT WASHER 3/4" SAE	8	
15#	0161 C	LOCK WASHER 5/16"	2	
16	EMR2	EZ-MOVER ASSEMBLY	1.....	INCLUDES ITEMS W/#

TERMS AND CONDITIONS OF SALE — PARTS

PAYMENT TERMS

Terms of payment for parts are net 30 days.

FREIGHT POLICY

All parts orders will be shipped collect or prepaid with the charges added to the invoice. All shipments are F.O.B. point of origin. Multiquip's responsibility ceases when a signed manifest has been obtained from the carrier, and any claim for shortage or damage must be settled between the consignee and the carrier.

MINIMUM ORDER

The minimum charge for orders from Multiquip is \$15.00 net. Customers will be asked for instructions regarding handling of orders not meeting this requirement.

RETURNED GOODS POLICY

Return shipments will be accepted and credit will be allowed, subject to the following provisions:

1. A Returned Material Authorization must be approved by Multiquip prior to shipment.
2. To obtain a Return Material Authorization, a list must be provided to Multiquip Parts Sales that defines item numbers, quantities, and descriptions of the items to be returned.
 - a. The parts numbers and descriptions must match the current parts price list.
 - b. The list must be typed or computer generated.
 - c. The list must state the reason(s) for the return.
 - d. The list must reference the sales order(s) or invoice(s) under which the items were originally purchased.
 - e. The list must include the name and phone number of the person requesting the RMA.
3. A copy of the Return Material Authorization must accompany the return shipment.
4. Freight is at the sender's expense. All parts must be returned freight prepaid to Multiquip's designated receiving point.

5. Parts must be in new and resalable condition, in the original Multiquip package (if any), and with Multiquip part numbers clearly marked.
6. The following items are not returnable:
 - a. Obsolete parts. (If an item is in the price book and shows as being replaced by another item, it is obsolete.)
 - b. Any parts with a limited shelf life (such as gaskets, seals, "O" rings, and other rubber parts) that were purchased more than six months prior to the return date.
 - c. Any line item with an extended dealer net price of less than \$5.00.
 - d. Special order items.
 - e. Electrical components.
 - f. Paint, chemicals, and lubricants.
 - g. Decals and paper products.
 - h. Items purchased in kits.
7. The sender will be notified of any material received that is not acceptable.
8. Such material will be held for five working days from notification, pending instructions. If a reply is not received within five days, the material will be returned to the sender at his expense.
9. Credit on returned parts will be issued at dealer net price at time of the original purchase, less a 15% restocking charge.
10. In cases where an item is accepted, for which the original purchase document can not be determined, the price will be based on the list price that was effective twelve months prior to the RMA date.
11. Credit issued will be applied to future purchases only.

PRICING AND REBATES

Prices are subject to change without prior notice. Price changes are effective on a specific date and all orders received on or after that date will be billed at the revised price. Rebates for price declines and added charges for price increases will not be made for stock on hand at the time of any price change.

Multiquip reserves the right to quote and sell direct to Government agencies, and to Original Equipment Manufacturer accounts who use our products as integral parts of their own products.

SPECIAL EXPEDITING SERVICE

A \$35.00 surcharge will be added to the invoice for special handling including bus shipments, insured parcel post or in cases where Multiquip must personally deliver the parts to the carrier.

LIMITATIONS OF SELLER'S LIABILITY

Multiquip shall not be liable hereunder for damages in excess of the purchase price of the item with respect to which damages are claimed, and in no event shall Multiquip be liable for loss of profit or good will or for any other special, consequential or incidental damages.

LIMITATION OF WARRANTIES

No warranties, express or implied, are made in connection with the sale of parts or trade accessories nor as to any engine not manufactured by Multiquip. Such warranties made in connection with the sale of new, complete units are made exclusively by a statement of warranty packaged with such units, and Multiquip neither assumes nor authorizes any person to assume for it any other obligation or liability whatever in connection with the sale of its products. Apart from such written statement of warranty, there are no warranties, express, implied or statutory, which extend beyond the description of the products on the face hereof.

Effective: February 22, 2006

PARTS MANUAL

HERE'S HOW TO GET HELP

PLEASE HAVE THE MODEL AND SERIAL
NUMBER ON-HAND WHEN CALLING

CHINA

MQ Shanghai, China

No. 1355 Heng Cang Road
Ma Lu Town Jia Ding District
Shanghai, China 201818

Tel. 011 86 21 59512076
Fax 011 86 21 59512336

Contact: Xiwen Shi
xshi@multiquip.com

© COPYRIGHT 2013, MULTIQUIP INC.

Multiquip Inc, the MQ logo are registered trademarks of Multiquip Inc. and may not be used, reproduced, or altered without written permission. All other trademarks are the property of their respective owners and used with permission.

This manual MUST accompany the equipment at all times. This manual is considered a permanent part of the equipment and should remain with the unit if resold.

The information and specifications included in this publication were in effect at the time of approval for printing. Illustrations, descriptions, references and technical data contained in this manual are for guidance only and may not be considered as binding. Multiquip Inc. reserves the right to discontinue or change specifications, design or the information published in this publication at any time without notice and without incurring any obligations.

Your Local Dealer is:



P/N 24100

Free Manuals Download Website

<http://myh66.com>

<http://usermanuals.us>

<http://www.somanuals.com>

<http://www.4manuals.cc>

<http://www.manual-lib.com>

<http://www.404manual.com>

<http://www.luxmanual.com>

<http://aubethermostatmanual.com>

Golf course search by state

<http://golfingnear.com>

Email search by domain

<http://emailbydomain.com>

Auto manuals search

<http://auto.somanuals.com>

TV manuals search

<http://tv.somanuals.com>