

PARTS MANUAL





SP4 "STREET PRO"
PROFESSIONAL SLAB SAW
57 HP DEUTZ DIESEL ENGINE
MODELS
SP605716, SP605720, SP605726
SP605730, SP605736

Revision #0 (03/22/06)

To find the latest revision of this
publication, visit our website at:
www.multiquip.com



THIS MANUAL MUST ACCOMPANY THE EQUIPMENT AT ALL TIMES.

 **WARNING** 

CALIFORNIA — Proposition 65 Warning

Diesel engine exhaust and some of its constituents are known to the State of California to cause cancer, birth defects and other reproductive harm.

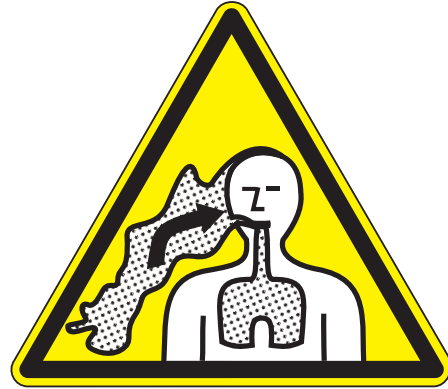
WARNING



SILICOSIS WARNING

Grinding/cutting/drilling of masonry, concrete, metal and other materials with silica in their composition may give off dust or mists containing crystalline silica. Silica is a basic component of sand, quartz, brick clay, granite and numerous other minerals and rocks. Repeated and/or substantial inhalation of airborne crystalline silica can cause serious or fatal respiratory diseases, including silicosis. In addition, California and some other authorities have listed respirable crystalline silica as a substance known to cause cancer. When cutting such materials, always follow the respiratory precautions mentioned above.

WARNING



RESPIRATORY HAZARDS

Grinding/cutting/drilling of masonry, concrete, metal and other materials can generate dust, mists and fumes containing chemicals known to cause serious or fatal injury or illness, such as respiratory disease, cancer, birth defects or other reproductive harm. If you are unfamiliar with the risks associated with the particular process and/or material being cut or the composition of the tool being used, review the material safety data sheet and/or consult your employer, the material manufacturer/supplier, governmental agencies such as OSHA and NIOSH and other sources on hazardous materials. California and some other authorities, for instance, have published lists of substances known to cause cancer, reproductive toxicity, or other harmful effects.

Control dust, mist and fumes at the source where possible. In this regard use good work practices and follow the recommendations of the manufacturers or suppliers, OSHA/NIOSH, and occupational and trade associations. Water should be used for dust suppression when wet cutting is feasible. When the hazards from inhalation of dust, mists and fumes cannot be eliminated, the operator and any bystanders should always wear a respirator approved by NIOSH/MSHA for the materials being used.

MQ SP4 “Street Pro” Professional Slab Saw

Proposition 65 Warning	2
Silicosis/Respiratory Warnings	3
Table Of Contents	4
Parts Ordering Procedures	5
Explanation Of Codes In Remarks Column	6
Suggested Spare Parts	7

Water Pump Kit Assembly	74-75
Glow Plug Kit Assembly	76-77
Bladeshaft Seal Kit Assembly	78-79
Bushing Extension Kits Assembly	80-81
Engine Block Heater Assembly (Option)	82-83
Collar/Flange Puller Assembly (Option)	84-85
Seal Sleeve Puller Assembly	86-87
Seal Sleeve Puller Assembly	88-89

Component Drawings

Deck/Gauge Panel Assembly	8-9
Nameplate and Decals Assembly	10-11
Access Panel Assembly	12-13
Fuel Tank Assembly	14-15
Lift Pump Circuit Assembly	16-17
F-N-R Control Handle Assembly	18-19
Joystick Mounting Assembly	20-21
Water System Assembly	22-23
Pulley and V-Belt Assembly	24-25
Depth Stop Meter/Cable Assembly	26-27
Depth Stop Cylinder/Valve Assembly	28-29
Belt Guard	30-31
Engine Assembly	32-33
Air Intake Hose Assembly	34-35
Muffler Kit Assembly	36-37
Engine Mounting	38-39
Pointer Assembly	40-41
Gauges and Controls Assembly	42-43
Battery Assembly	44-45
Front Axle Assembly	46-47
Drive Assembly	48-49
Bladeshaft and Mounting Assembly	50-51
Light Connector/Dash Panel Assembly	52-53
Engine Guard Assembly	54-55
Blade Guard Mount/ Wiper Assembly	56-57
Lower Belt Guard Assembly	58-59
Handle and Light Assembly	60-61
Rear Point and Foot Rest Assembly	62-63
Console Mounting Assembly	64-65
Cable Mount Assembly	66-67
Optional Flange Guard Assembly	68-69
Blade Guard Assembly	70-71
Wiring Harness/Circuit Breaker Assembly	72-73

www.multiquip.com

**Ordering parts has never been easier!
Choose from three easy options:**



Order via Internet (Dealers Only):

Order parts on-line using Multiquip's SmartEquip website!

- View Parts Diagrams
- Order Parts
- Print Specification Information



If you have an MQ Account, to obtain a Username and Password, E-mail us at: parts@multiquip.com.

To obtain an MQ Account, contact your District Sales Manager for more information.

Goto www.multiquip.com and click on **Order Parts** to log in and save!

Use the **internet** and qualify for a **5% Discount** on *Standard orders* for all orders which include complete part numbers.*

Note: Discounts Are Subject To Change



Order via Fax (Dealers Only):

All customers are welcome to order parts via Fax.

Domestic (US) Customers dial:
1-800-6-PARTS-7 (800-672-7877)

Fax your order in and qualify for a **3% Discount** on *Standard orders* for all orders which include complete part numbers.*

Note: Discounts Are Subject To Change



Order via Phone: Domestic (US) Dealers Call:
1-800-427-1244

Non-Dealer Customers:

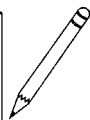
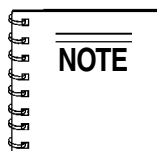
Contact your local Multiquip Dealer for parts or call 800-427-1244 for help in locating a dealer near you.



International Customers should contact their local Multiquip Representatives for Parts Ordering information.

When ordering parts, please supply:

- | | | | | | | | | | | | |
|--|---|--|---|---------------------------------------|---|---------------------------------|--|-----------------------------------|--|---|--|
| <ul style="list-style-type: none"> <input type="checkbox"/> Dealer Account Number <input type="checkbox"/> Dealer Name and Address <input type="checkbox"/> Shipping Address (if different than billing address) <input type="checkbox"/> Return Fax Number <input type="checkbox"/> Applicable Model Number <input type="checkbox"/> Quantity, Part Number and Description of Each Part | <ul style="list-style-type: none"> <input type="checkbox"/> Specify Preferred Method of Shipment: <table border="0" style="margin-left: 20px;"> <tr> <td><input checked="" type="checkbox"/> Fed Ex/UPS</td> <td><input checked="" type="checkbox"/> DHL</td> </tr> <tr> <td><input type="checkbox"/> Priority One</td> <td><input checked="" type="checkbox"/> Truck</td> </tr> <tr> <td><input type="checkbox"/> Ground</td> <td></td> </tr> <tr> <td><input type="checkbox"/> Next Day</td> <td></td> </tr> <tr> <td><input type="checkbox"/> Second/Third Day</td> <td></td> </tr> </table> | <input checked="" type="checkbox"/> Fed Ex/UPS | <input checked="" type="checkbox"/> DHL | <input type="checkbox"/> Priority One | <input checked="" type="checkbox"/> Truck | <input type="checkbox"/> Ground | | <input type="checkbox"/> Next Day | | <input type="checkbox"/> Second/Third Day | |
| <input checked="" type="checkbox"/> Fed Ex/UPS | <input checked="" type="checkbox"/> DHL | | | | | | | | | | |
| <input type="checkbox"/> Priority One | <input checked="" type="checkbox"/> Truck | | | | | | | | | | |
| <input type="checkbox"/> Ground | | | | | | | | | | | |
| <input type="checkbox"/> Next Day | | | | | | | | | | | |
| <input type="checkbox"/> Second/Third Day | | | | | | | | | | | |



Unless otherwise indicated by customer, all orders are treated as *Standard Orders* and will ship within 24 hours. We will make every effort to ship *Air Shipments* the same day the order is received, if received prior to 2PM PST. *Stock Orders* must be noted on fax or web order form.

WE ACCEPT ALL MAJOR CREDIT CARDS!



SP-6057 — EXPLANATION OF CODE IN REMARKS COLUMN

The following section explains the different symbols and remarks used in the Parts section of this manual. Use the help numbers found on the back page of the manual if there are any questions.

The contents and part numbers listed in the parts section are subject to change **without notice**. Multiquip does not guarantee the availability of the parts listed.

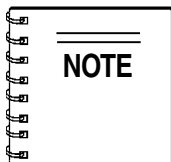
Sample Parts List:

NO.	PART NO.	PART NAME	QTY.	REMARKS
1	12345	BOLT	1	INCLUDES ITEMS W/*
2*		WASHER, 1/4 IN.		NOT SOLD SEPARATELY
2*	12347	WASHER, 3/8 IN.	1	MQ-45T ONLY
3	12348	HOSE	A/R ..	MAKE LOCALLY
4	12349	BEARING	1	S/N 2345B AND ABOVE

NO. Column

Unique Symbols - All items with same unique symbol (*, #, +, %, or >) in the number column belong to the same assembly or kit, which is indicated by a note in the “Remarks” column.

Duplicate Item Numbers - Duplicate numbers indicate multiple part numbers are in effect for the same general item, such as different size saw blade guards in use or a part that has been updated on newer versions of the same machine.



When ordering a part that has more than one item number listed, check the remarks column for help in determining the proper part to order.

PART NO. Column

Numbers Used - Part numbers can be indicated by a number, a blank entry, or TBD.

TBD (To Be Determined) is generally used to show a part that has not been assigned a formal part number at time of publication.

A blank entry generally indicates that the item is not sold separately or is not sold by Multiquip. Other entries will be clarified in the “Remarks” Column.

QTY. Column

Numbers Used - Item quantity can be indicated by a number, a blank entry, or A/R.

A/R (As Required) is generally used for hoses or other parts that are sold in bulk and cut to length.

A blank entry generally indicates that the item is not sold separately. Other entries will be clarified in the “Remarks” Column.

REMARKS Column

Some of the most common notes found in the “Remarks” Column are listed below. Other additional notes needed to describe the item can also be shown.

Assembly/Kit - All items on the parts list with the same unique symbol will be included when this item is purchased.

Indicated by:

“INCLUDES ITEMS W/(unique symbol)”

Serial Number Break - Used to list an effective serial number range where a particular part is used.

Indicated by:

“S/N XXXXX AND BELOW”

“S/N XXXX AND ABOVE”

“S/N XXXX TO S/N XXX”

Specific Model Number Use - Indicates that the part is used only with the specific model number or model number variant listed. It can also be used to show a part is NOT used on a specific model or model number variant.

Indicated by:

“XXXXX ONLY”

“NOT USED ON XXXX”

“Make/Obtain Locally” - Indicates that the part can be purchased at any hardware shop or made out of available items. Examples include battery cables, shims, and certain washers and nuts.

“Not Sold Separately” - Indicates that an item cannot be purchased as a separate item and is either part of an assembly/kit that can be purchased, or is not available for sale through Multiquip.

SP-6057 CONCRETE SAW — SUGGESTED SPARE PARTS

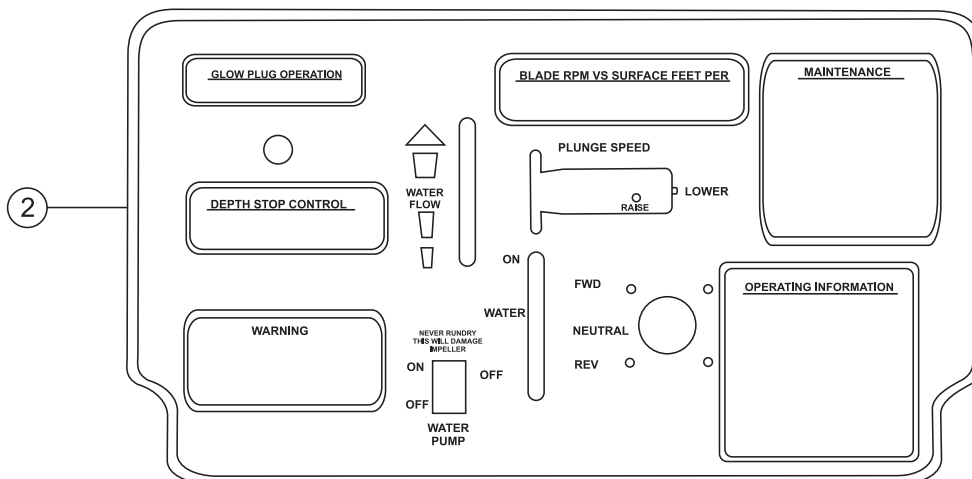
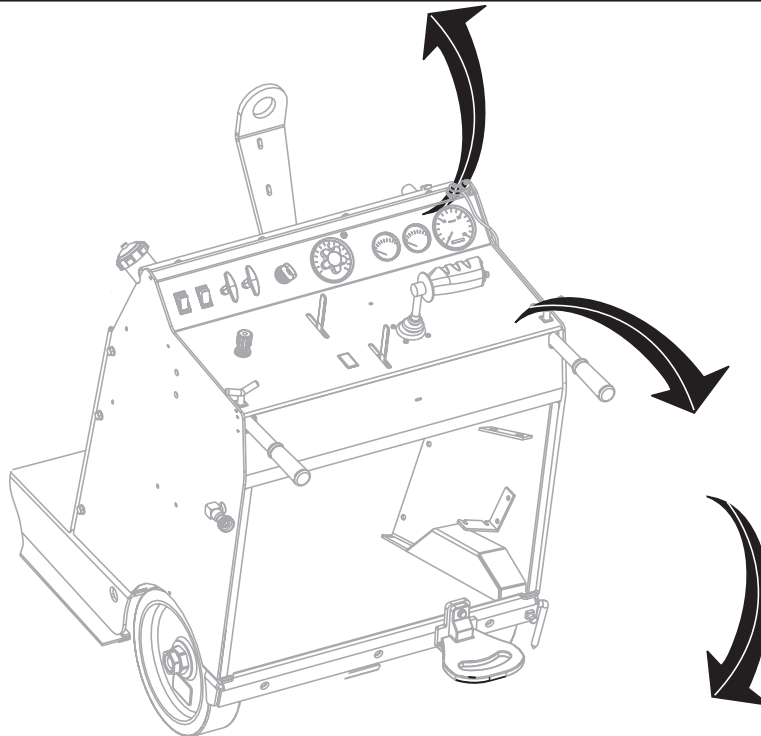
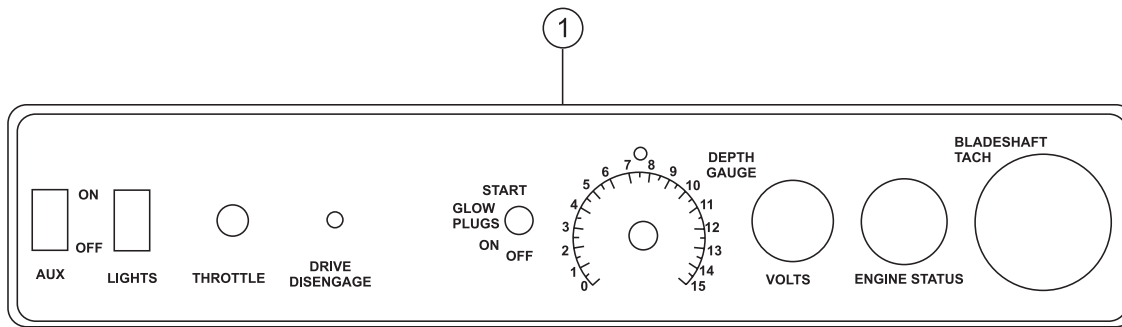
SP-6057 CONCRETE SAW

1 to 5 Units

Qty.....	P/N	Description
1	345008	Coupler, Splined
1	446010	Valve, Cartridge
1	560028-5	Switch Assembly
1	521004	V-Belt (16", 20" and 26" only)
1	521001	V-Belt (30" and 36" only)
1	521007	V-Belt All Models
2	520007	5G 3VX 530 drive belt
1	300008	Primary Air Filter Element
1	300009	Safety Air Filter Element
1	306006	Transaxle Hydraulic Filter
2	500009	Wheel, Rear Axle
2	582038	Bushing, Rear Wheel
2	180003	Outer Flange
2	180004	Inner Flange
1	582012	Bushing, Flange
1	915316	Screw, HHC 5/8-11 x 3 LH Gr8
1	915315	Screw, HHC 5/8-11 x 3 RH Gr8
1	577009	Gasket, Drain Plug
1	306012	Engine Oil Filter, Deutz
1	304010	Engine Fuel Filter, Deutz
1	362002	Tube, B.G. Water Delivery R.H.
1	362003	Tube, B.G. Water Delivery L.H.
1	25643	Relief Check Valve

SP-6057 CONCRETE SAW — DECK/GAUGE PANEL ASSY.

DECK PANEL DECAL ASSY.



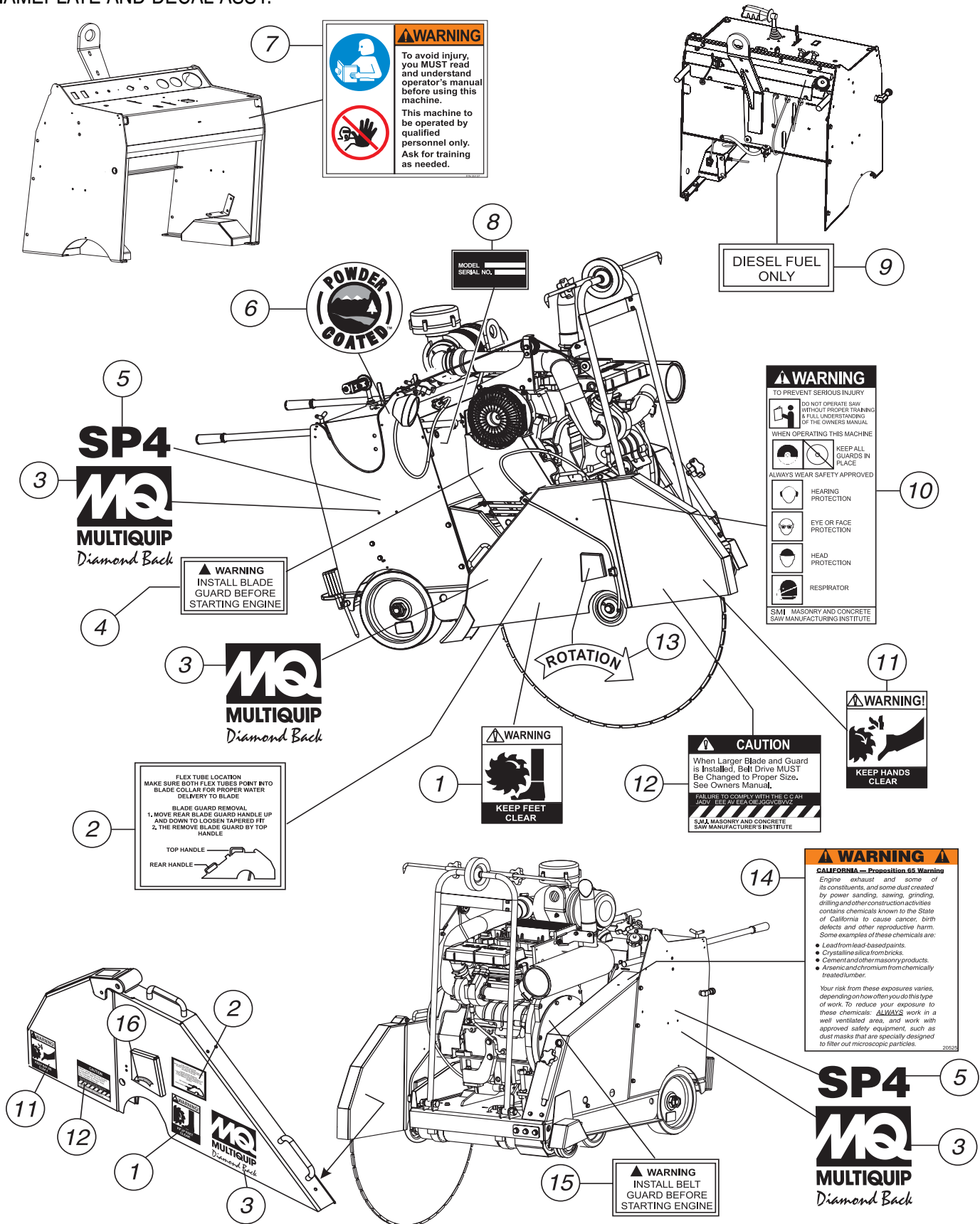
SP-6057 CONCRETE SAW — DECK/GAUGE PANEL ASSY.

DECK/GAUGE PANEL ASSY.

<u>NO</u>	<u>PART NO</u>	<u>PART NAME</u>	<u>QTY.</u>	<u>REMARKS</u>
1	600151	GAUGE PANEL, 6000 SERIES	1	
2	600152	DECK PANEL, 6000 SERIES	1	

SP-6057 CONCRETE SAW — NAMEPLATE AND DECALS ASSY.

NAMEPLATE AND DECAL ASSY.



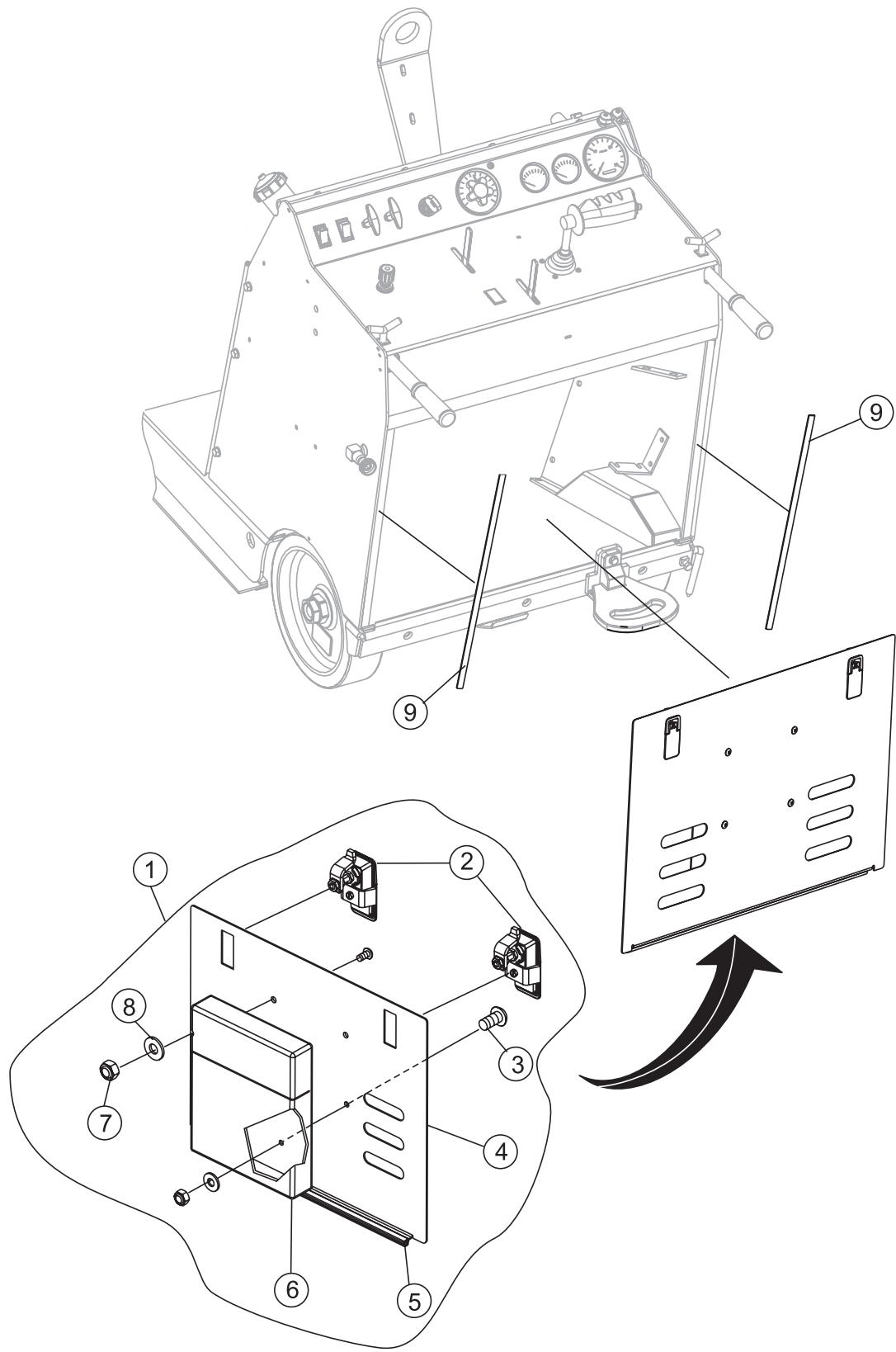
SP-6057 CONCRETE SAW — NAMEPLATE AND DECALS ASSY.

NAMEPLATE AND DECAL ASSY.

<u>NO</u>	<u>PART NO</u>	<u>PART NAME</u>	<u>QTY.</u>	<u>REMARKS</u>
1	25250-001	DECAL, WARNING, KEEP FEET CLEAR	2	
2	606004	DECAL, BLADE GUARD REMOVAL	2	
3	25782	DECAL, MQ DIAMOND LOGO	4	
4	21302	DECAL, WARNING, INSTALL BLADE GUARD	1.....	REPLACES P/N 606004
5	TBD	DECAL, SP4 LOGO	2	
6	13118	DECAL, POWDER COATED	1	
7	35137	DECAL, WARNING, READ MANUAL	1	
8		DECAL, NAMEPLATE	1.....	CONTACT MQ PARTS DEPT.
9	M600002	DECAL, DIESEL FUEL ONLY	1	
10	22122-001	DECAL, WARNING, SERIOUS INJURY	1	
11	25249-001	DECAL, WARNING, KEEP HANDS CLEAR	2	
12	23330-001	DECAL, CAUTION, DRIVE BELT	1	
13	25491	DECAL, ROTATION, CW	1	
14	20525	DECAL, WARNING, PROPOSITION 65	1	
15	604001	DECAL, WARNING, INSTALL BELT GUARD	1	
16	25678	DECAL, ROTATION, CCW	1	

SP-6057 CONCRETE SAW — ACCESS PANEL ASSY.

ACCESS PANEL ASSY.



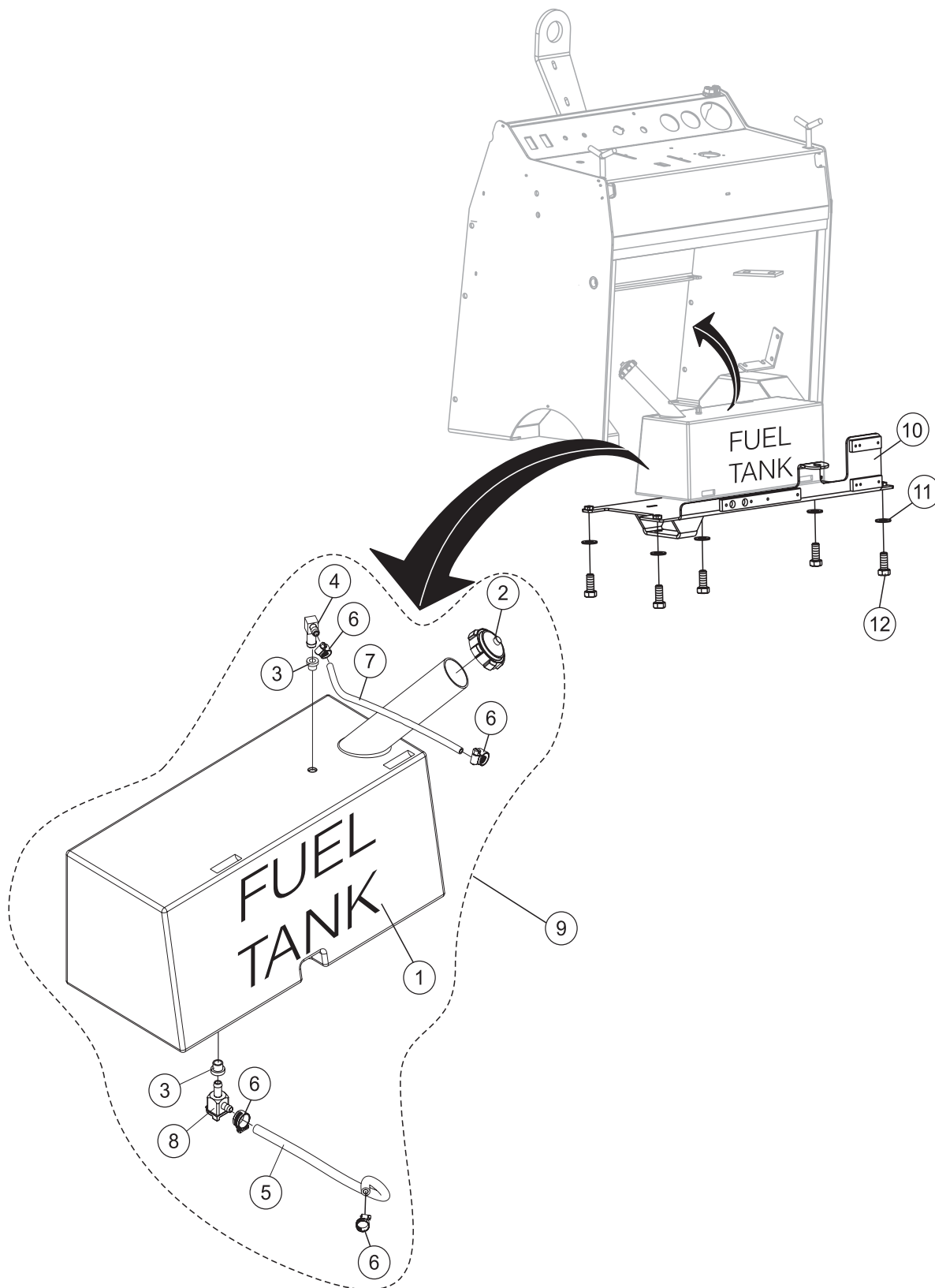
SP-6057 CONCRETE SAW — ACCESS PANEL ASSY.

ACCESS PANEL ASSY.

<u>NO</u>	<u>PART NO</u>	<u>PART NAME</u>	<u>QTY.</u>	<u>REMARKS</u>
1	102039	PANEL ASSY., REAR CONSOLE, RED	1	INCLUDES ITEMS W/*
2*	560020	LATCH, REAR SAW ACCESS PANEL	2	
3*	12287	SCREW, THP 1/4-20 X 3/4" SS	4	
4*	102039-1	PANEL, REAR CONSOLE 6000, RED	1	
5*	577002	WEATHER STRIP, REAR SAW ACCESS PANEL	1.75 FT.	
6*	29057	DOCUMENT BOX, CP90007-07	1	
7*	10024	NUT, NYLOCK 1/4-20	4	
8*	10930	WASHER, FENDER, 1/4 X 1-1/4"	4	
9	29093	GASKET, TRIMLOCK X-109BT	2	

SP-6057 CONCRETE SAW — FUEL TANK ASSY.

FUEL TANK ASSY.



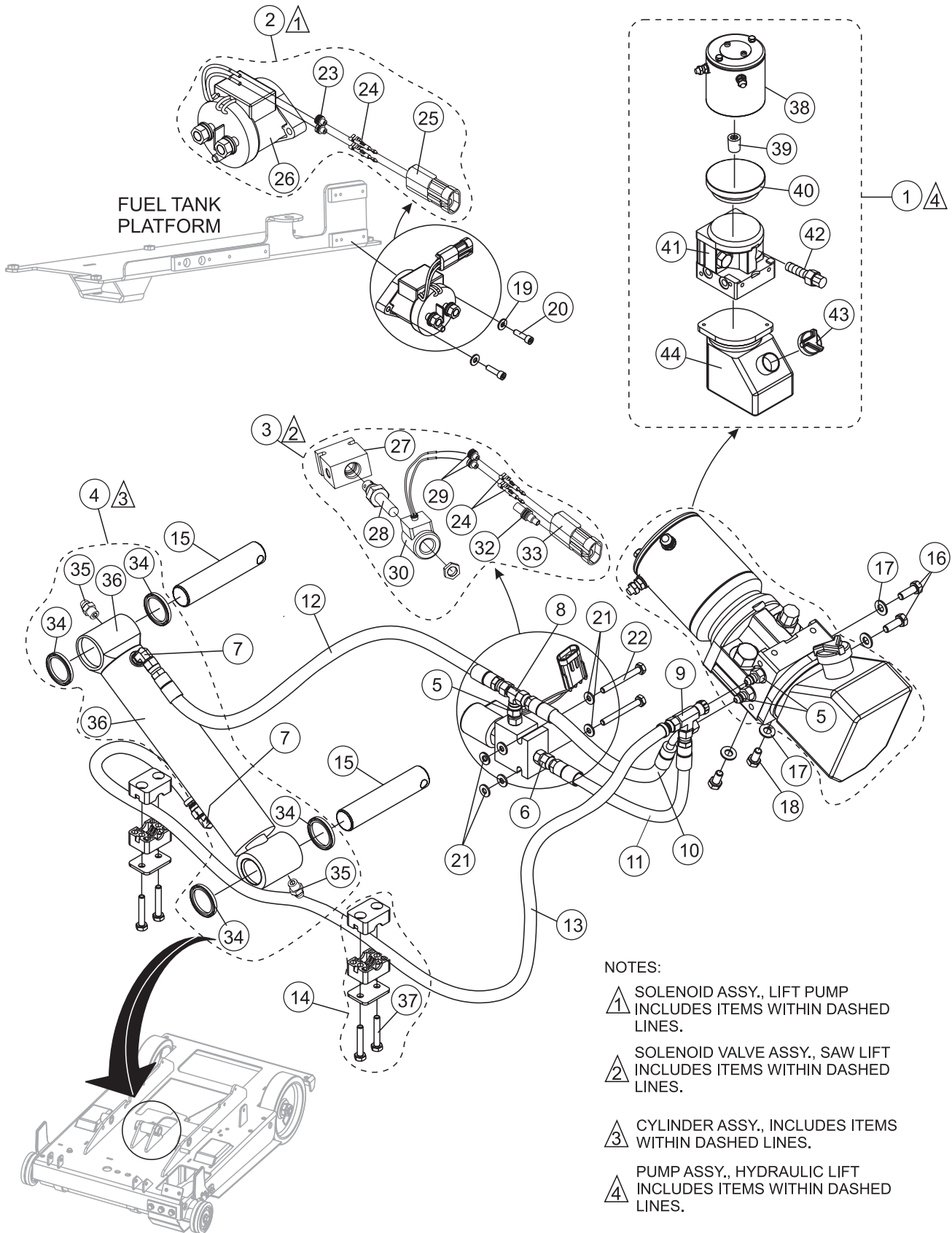
SP-6057 CONCRETE SAW — FUEL TANK ASSY.

FUEL TANK ASSY.

<u>NO</u>	<u>PART NO</u>	<u>PART NAME</u>	<u>QTY.</u>	<u>REMARK</u>
1*	140004	FUEL TANK, 6000 & 6400 10 GAL	1	
2*	29509	CAP, FUEL TANK 2.25 DIA, ONE WAY VALVE	1	
3*	19633	BUSHING, RUBBER FUEL DAPCO 10672	2	
4*	368006	FITTING, FUEL 90 DEG. #4 X #6 BARB	1	
5*	35009	HOSE, 22.5" - 5/16" FUEL LINE	1	
6*	19473	CLAMP, HOSE WORM # 2	4	
7*	35007	HOSE, 26.5" - 1/4" FUEL LINE	1	
8*	446025	VALVE, FUEL ON/OFF	1	
9	25553	FUEL TANK ASSY.....	1	INCLUDES ITEMS W/*
10	102041	PLATFORM W/A SAW FUEL TANK	1	
11	933242	WASHER, FLAT SAE 3/8" GRADE 9	5	
12	0166	SCREW, HHC 3/8-16" X 7/8"	5	

SP-6057 CONCRETE SAW — LIFT PUMP CIRCUIT ASSY.

LIFT PUMP CIRCUIT ASSY.



NOTES:

- ① SOLENOID ASSY., LIFT PUMP INCLUDES ITEMS WITHIN DASHED LINES.
- ② SOLENOID VALVE ASSY., SAW LIFT INCLUDES ITEMS WITHIN DASHED LINES.
- ③ CYLINDER ASSY., INCLUDES ITEMS WITHIN DASHED LINES.
- ④ PUMP ASSY., HYDRAULIC LIFT INCLUDES ITEMS WITHIN DASHED LINES.

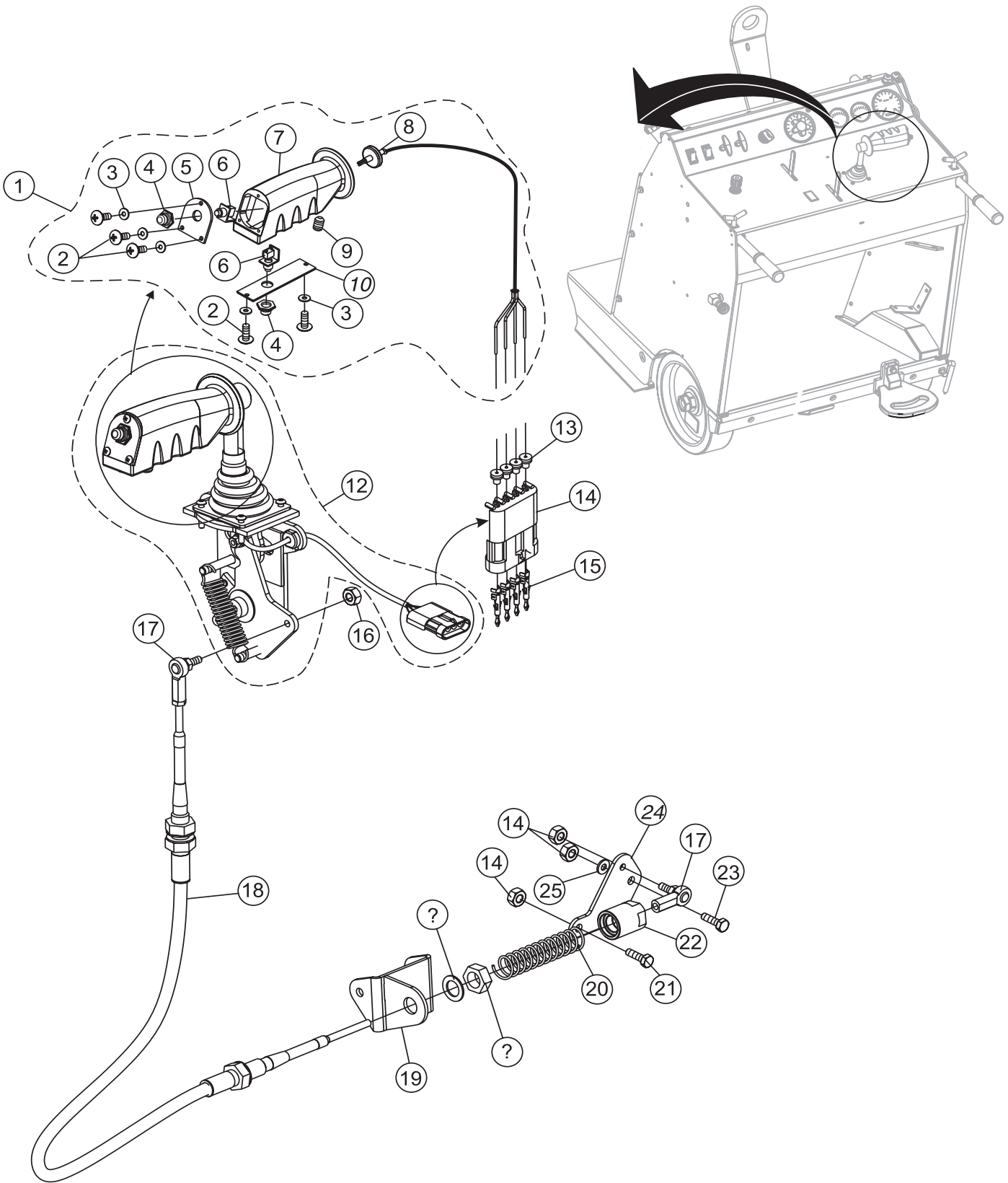
SP-6057 CONCRETE SAW — LIFT PUMP CIRCUIT ASSY.

LIFT PUMP CIRCUIT ASSY.

<u>NO</u>	<u>PART NO</u>	<u>PART NAME</u>	<u>QTY.</u>	<u>REMARK</u>
1	340010	PUMP ASSY., HYDRAULIC LIFT	1	INCLUDES ITEMS W/>
2	35255	SOLENOID ASSY., LIFT PUMP	1	INCLUDES ITEMS W/*
3	446009	SOLENOID VALVE ASSY., SAW LIFT	1	INCLUDES ITEMS W/#
4	25542	CYLINDER ASSY., SAW LIFT	1	INCLUDES ITEMS W/%
5	21095	FITTING, STR 4MJ - 4MO	3	
6	25758	FITTING, ORIFICE 4MJ - 4MO X .026	1	
7	368817	FITTING, 90 4MJ - 4MO	2	
8	25941	FITTING BRANCH TOP SWIVEL 4MJ - 4MJ - 4FJ	1	
9	366690	FITTING, TEE RUN 4MJ - 4MJ - 4FJ	1	
10	35001	HOSE ASSY. 13.2" #4HP W/370821/370895	1	
11	35002	HOSE ASSY. 13.7" #4HP W/370821/370821	1	
12	35003	HOSE ASSY. 19.7" #4HP W/370821/370821	1	
13	35008	HOSE ASSY., 63.5" #4LP W/370670/370895	1	
14	570050	CLAMP ASSY., #4 SINGLE HOSE	2	INCLUDES ITEMS W/+
15	169000	PIN, CYLINDER ROD END	2	
16	06500-007	SCREW, HHC 5/16-18 x 7/8	2	
17	933241	WASHER, FLAT SAE 5/16 GRD 9 YZ	4	
18	4683	SCREW, HHC 5/16-18 X 5/8	2	
19	2203	WASHER, FLAT, #10	2	
20	923186	SCREW, SHC 12-24 X 3/4	2	
21	933240	WASHER, FLAT SAE 1/4 GRD 9 YZ	6	
22	2508	SCREW, HHC 1/4-20 x 2-1/4	2	
23*	12171	SEAL, WEATHERPACK, 16-18 GA GREEN	2	
24*#	12179	TERMINAL, WEATHERPACK , MALE 14-16 GA	4	
25*	12176	CONNECTOR, WEATHERPACK 2 PIN MALE	1	
26*	25628	SOLENOID, LIFT PUMP	1	
27#	444014	CATRIDGE BODY	1	
28#	446010	VALVE CARTRIDGE	1	
29#	405070	SEAL, WEATHERPACK, 20-22 GA RED	2	
30#	446029	COIL, 12 VDC CARTRIDGE VALVE	1	
32#	405035	PLUG-SEAL WEATHER PACK GREEN	1	
33#	405066	CONNECTOR, WEATHERPACK 3 PIN MALE	1	
34%	480003	SEAL, OIL CR #9815	4	
35%	2621	FITTING, GREASE ZERK STR. 1/4-28	2	
36%	447005	CYLINDER LIFT, 1.75 X 4.120	1	
37+	5277	HHC 1/4-20 X 1-1/2	4	
38>	340030	1200 WATT MOTOR ASSY.	1	
39>	345006	SPLINED COUPLER	1	
40>	25659	ADAPTER	1	
41>	25660	HYDRAULIC PUMP	1	
42>	25643	RELIEF CHECK VALVE	1	
43>	147006	FENNER SMALL FILLER CAP	1	
44>	144010	.5L MICROPACK TANK	1	

SP-6057 CONCRETE SAW — F-N-R CONTROL AND HANDLE ASSY.

F-N-R CONTROL AND HANDLE ASSY.



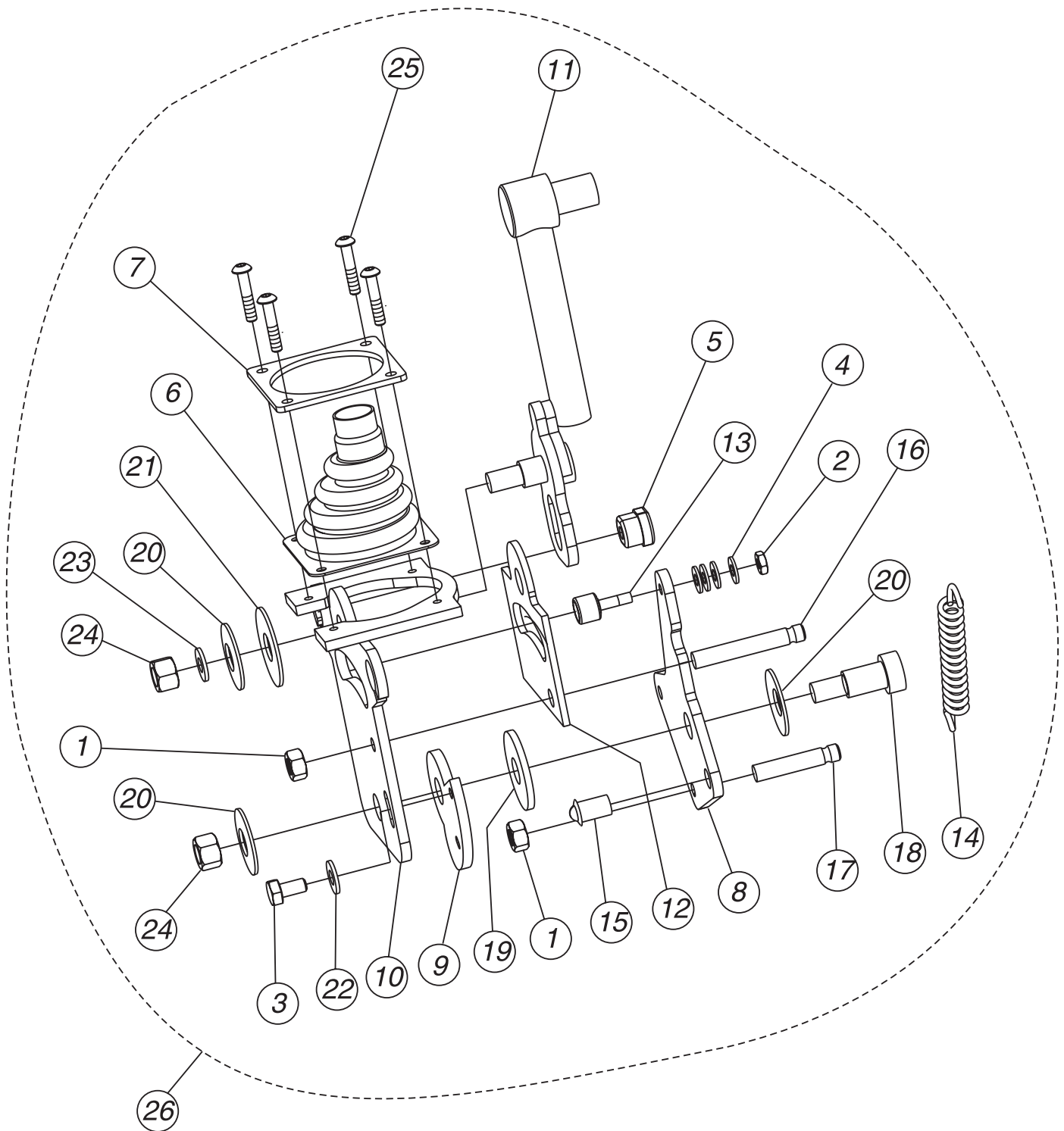
SP-6057 CONCRETE SAW — F-N-R CONTROL AND HANDLE ASSY.

F-N-R CONTROL AND HANDLE ASSY.

<u>NO</u>	<u>PART NO</u>	<u>PART NAME</u>	<u>QTY.</u>	<u>REMARK</u>
1%	560030	F-N-R CONTROL HANDLE ASSY.	1	INCLUDES ITEMS W/*
2*%	560028-6	SCREW, #6-32 X 3/8	5	
3*%	5600028-8	WASHER, FLAT #4 NYLON	5	
4*%	560028-4	RUBBER BOOT	2	
5*%	560028-3	PLATE, SIDE SWITCH	1	
6*%	560028-5	SWITCH ASSEMBLY	2	
7*%	560028-1	HANDLE HOUSING	1	
8*%	60118	WIRE, F-N-R	1	
9*%	925381	SCREW, SET 1/4-20 X 3/8	1	
10*%	560028-2	PLATE, FRONT SWITCH	1	
12	25627	F-N-R CONTROL ASSY.	1	INCLUDES ITEMS W/%
13%	405070	SEAL, WEATHERPACK, RED	4	
14%	12223	TERMINAL WEATHERPACK	4	
15%	405046	CONNECTOR, TERMINAL, MALE	4	
16	6904	NUT, HEX FINISH 1/4-28 ZINC	4	
17	580001	ROD END, 1/4-20 FEMALE RH	2	
18	440006	CABLE, CONTROL 40" X 2" STROKE	1	
19	120077	MOUNT W/A TRANSAXLE CTRL. CABLE	1	
20	565006	SPRING, CTRL. CABLE TENSIONING	1	
21	915003	SCREW, HHC 1/4-20 X 3/4 GRD. 8	1	
22	584044	RETAINER, FNR CABLE SPRING	1	
23	2295	SCREW, HHC 1/4-20 X 7/8	1	
24	440005	PLATE, F-N-R PINTLE CONTROL	1	
25	933240	WASHER, FLAT SAE 1/4" GRD. 9	1	

SP-6057 CONCRETE SAW — JOYSTICK MOUNTING ASSY.

JOYSTICK MOUNTING ASSY.



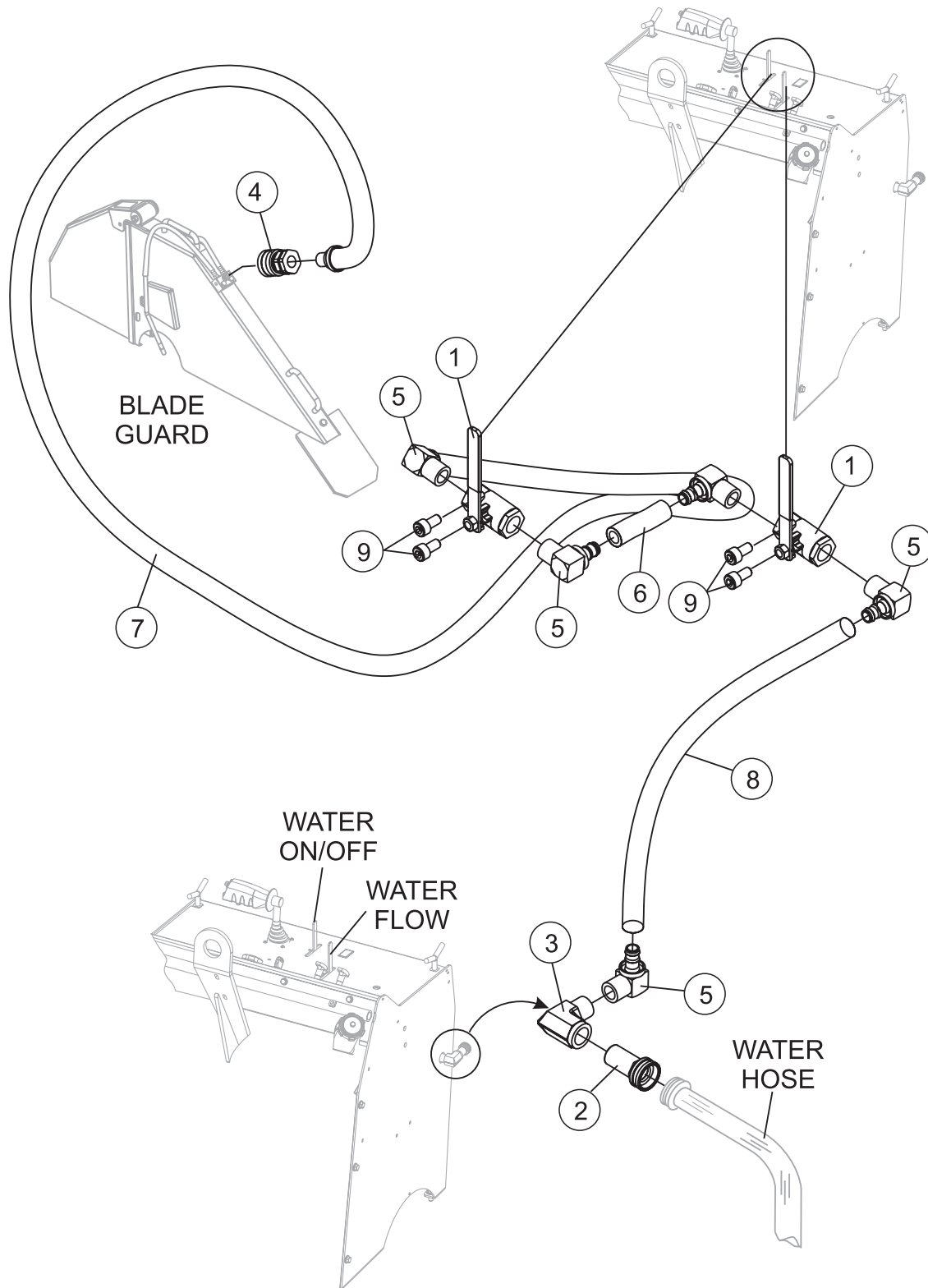
SP-6057 CONCRETE SAW — JOYSTICK MOUNTING ASSY.

JOYSTICK MOUNTING ASSY.

NO	PART NO	PART NAME	QTY.	REMARK
1*	0161D	NUT, HEX FINISH 5/16-18	2	
2*	10019	NUT, FYLOC #10-32	1	
3*	1579	SCREW. JJC 1/4-20 X .5	1	
4*	2203	WASHER, FLAT, #10	4	
5*	405053	CORD GRIP, SAW FNR CONTROL	1	
6*	442005-6	BOOT, FNR CONTROL HANDLE	1	
7*	442006-3	SPACER, F-N-R	1	
8*	442011	BELLCRANK, SAW F-N-R	1	
9*	442012	PLATE, NEUTRAL DETENT	1	
10*	442013	F-N-R MOUNTING PLATE	1	
11*	442021	CONTROL LEVER	1	
12*	442022	SPACER, F-N-R DELRIN	1	
13*	460018	CAM ROLLER, SAW FNR CONTROL	1	
14*	565005	EXTENSION SPRING F-N-R CONTROL	1	
15*	584021	DENTENT BALL, SAW FNR CONTROL	1	
16*	584023	PIN, LONG SPRING HANGER	1	
17*	584024	PIN, SHORT SPRING HANGER	1	
18*	926348	SCREW, SHOULDER 3/8-16 X 3/4	1	
19*	933015	FRICTION DISC, SAW F-N-R	1	
20*	933073	1/2 X 1-1/4 BELLEVILLE WASHER	3	
21*	933225	WASHER, FENDER 1/2 X 1-1/2 ZINC	1	
22*	933240	WASHER, FLAT 1/4 SAE	1	
23*	933242	WASHER, FLAT 3/8 SAE	1	
24*	938062	LOCKNUT 3/8-16 YZ	2	
25*	973735	SCREW, BHSC 10-24X1-SS	4	
26	35122	F-N-R MOUNTING ASSY.	1	INCLUDES ITEMS W/*

SP-6057 CONCRETE SAW — WATER SYSTEM ASSY.

WATER SYSTEM ASSY.



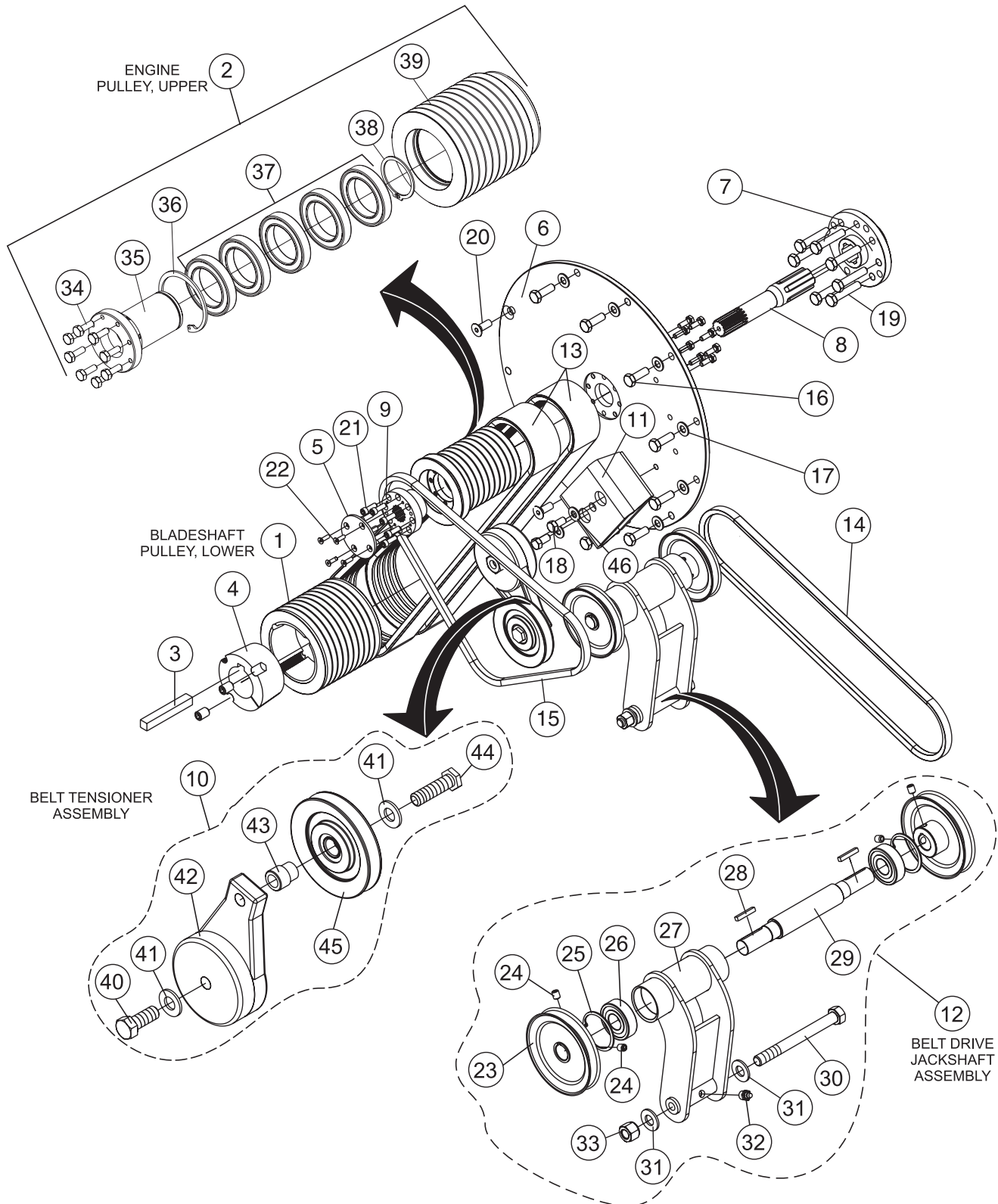
SP-6057 CONCRETE SAW — WATER SYSTEM ASSY.

WATER SYSTEM ASSY.

<u>NO</u>	<u>PART NO</u>	<u>PART NAME</u>	<u>QTY.</u>	<u>REMARKS</u>
1	446004	VALVE, BALL, 1/2 BRASS	2	
2	25827	FITTING, BRASS (F) 3/4 GHT SWIVEL 1/2 MNPT	1	
3	26496	FITTING, 90 1/2MP- 1/2FP	1	
4	320009	FITTING, QD FEM SNAPTITE PHC4 - 4F	1	
5	25931	FITTING, 90 8BARB - 1/2 MP (4390-8-8)	4	
6	35087	HOSE, 3.25" #8LP	1	
7	35085	HOSE, ASM 114.3" #8LP W/25932/25931	1	
8	35086	HOSE, 17" #8LP	1	
9	923143	SCREW, SHC 10-24 x 3/8"	4	

SP-6057 CONCRETE SAW — PULLEY AND V-BELT ASSY.

PULLEY AND V-BELT ASSY.



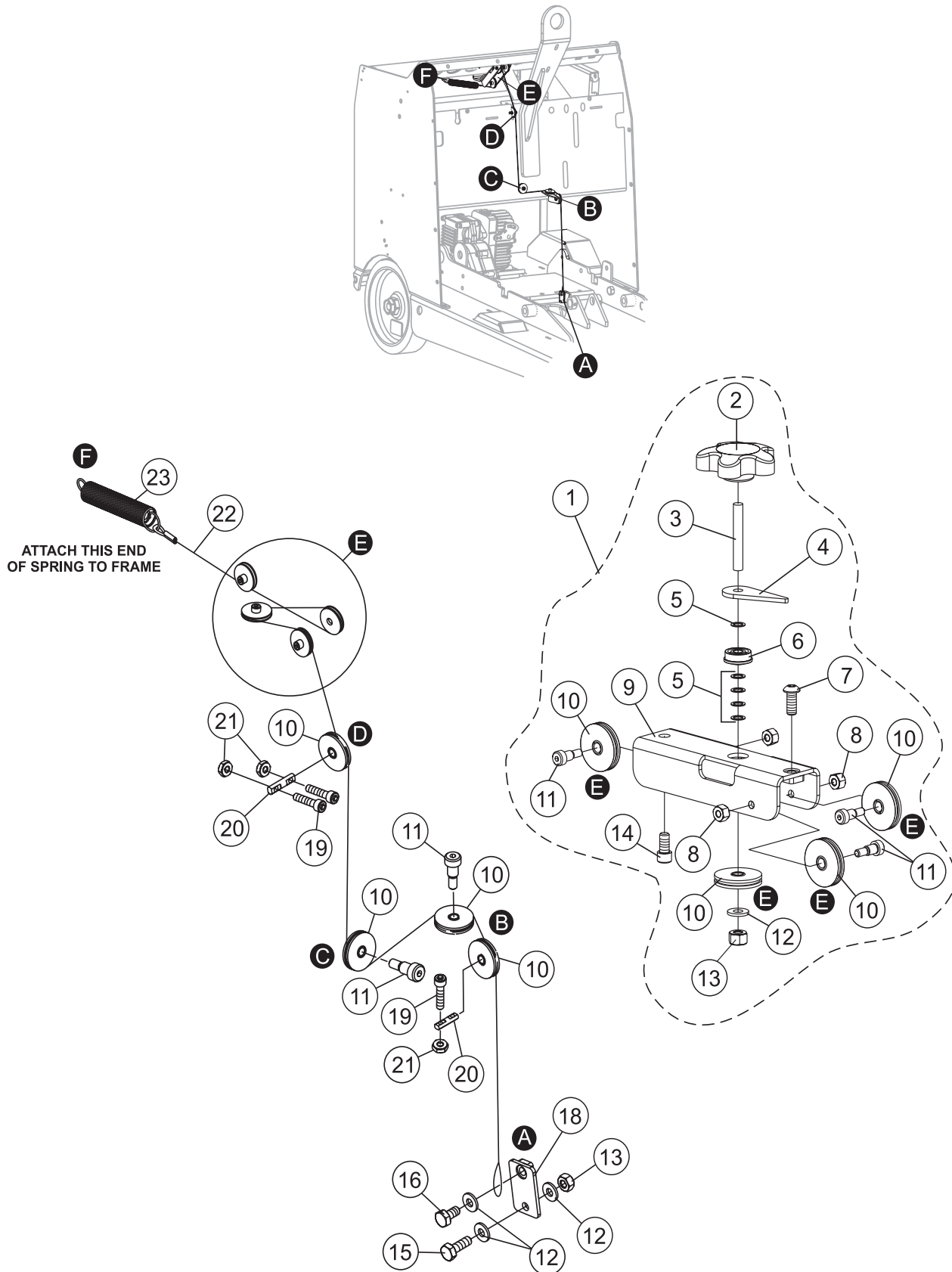
SP-6057 CONCRETE SAW — PULLEY AND V-BELT ASSY.

PULLEY AND V-BELT ASSY.

NO	PART NO	PART NAME	QTY.	REMARKS
1	540046	PULLEY, BLADESHAFT 3V 4.2 10G	1	16" BLADE
1	540035	PULLEY, BLADESHAFT 3V 4.7 10G	1	20" BLADE
1	540041	PULLEY, BLADESHAFT 3V 5.0 10G	1	26 & 30" BLADE
1	540041	PULLEY, BLADESHAFT 3V 5.3 10G	1	30" BLADE
1	540047	PULLEY, BLADESHAFT 3V 5.6 10G	1	36" BLADE
2	25630	PULLEY, ENGINE ASSY.	1	16" BLADE, INCLUDES ITEMS W/#
2	25635	PULLEY, ENGINE ASSY.	1	20" BLADE, INCLUDES ITEMS W/+
2	25556	PULLEY, ENGINE ASSY.	1	26, 30 & 36" BLADES, INCLUDES ITEMS W/%
3	10057-061	KEY, 1/2" SQ X 3-1/2"	1	
4	460023	BUSHING, TAPER-LOCK 2012 X 1-7/8	1	16" BLADE ONLY
4	460016	BUSHING, TAPER-LOCK 2517 X 1-7/8	1	20, 26, 30 & 36 BLADES
5	544004	CAP, SAW PTO	1	
6	261002-1	ADAPTER PLATE, DEUTZ ENGINE	1	
7	544005	FLANGE, SPLINED, DRIVE	1	
8	544006	SHAFT, SPLINED, PRIMARY SAW DRIVE	1	
9	544008	FLANGE, SPLINED, DRIVEN	1	
10	25557	BELT TENSIONER ASSY.	1	INCLUDES ITEMS W/@
11	120232	MOUNT W/A, BELT TENSIONER	1	
12	13016	BELT DRIVE JACKSHAFT ASSY.	1	INCLUDES ITEMS W/\$
13	520007	V-BELT, 5G 3 VX 530 MATCHMAKER	2	ALL MODELS
14	521007	V-BELT, AX-42	1	ALL MODELS
15	521004	V-BELT, AX-38	1	16", 20" AND 26" ONLY
15	521011	V-BELT, AX-39	1	30" AND 36" BLADES
16	940694	SCREW, HHC M10-1.5x30MM FT 10.9 NP	8	
17	933245	WASHER, FLAT SAE 9/16 GRD 9 YZ	8	
18	915103	SCREW, HHC 3/8-16x3/4 GR8 YZ	2	
19	938422	SCREW, HHC M10-1.0x50MM 10.9 NP	8	
20	939978	SCREW, FHSC M10-1.5 x 25MM NP	3	
21	923203	SCREW, SHC 1/4-20 x 3/4	8	
22	924200	SCREW, FHSC 10-24 x 5/8 NP	4	
23\$	540030	PULLEY, 4.125 x .750 1A	2	
24\$	925437	SCREW, SHS,CP 5/16-18 x 3/8	4	
25\$	576003	SNAP RING - HO-185	2	
26\$	460021	BEARING, ROLLER # 6204 2RS	2	
27\$	106097	JACKSHAFT ARM W/A	1	
28\$	584013	KEY, 3/16 SQ x 1.0	2	
29\$	167005	JACKSHAFT, SAW BELT DRIVE	1	
30\$	10307	SCREW, HHC 1/2-13 X 5	1	
31\$	933244	WASHER, FLAT SAE 1/2 GRD 9 YZ	2	
32\$	960102	FITTING, GREASE ZERK STR 1/8 MP	1	
33\$	10176	NUT, NYLOC 1/2-13	1	
34#+%	915003	SCREW, HHC 1/4-20 x 3/4 GRD 8	8	
35#+%	544007	BEARING SUPPORT, CONCRETE SAW PTO	1	
36#+%	576013	SNAP RING, HO 268	1	
37#+%	460022	BEARING, 6909 2RS	5	
38#+%	576014	SNAP RING, SH 177	1	
39#	540063	PULLEY, 4.45 10G 3V X 4.0 1A	1	16" MODEL
39+	540062	PULLEY, 4.1 10G 3V X 4.0 1A	1	20" MODEL
39%	540058	PULLEY, 3.6 10G 3V X 4.0 1A	1	26, 30 & 36" MODELS
40@	3214	SCREW, HHC 1/2-13 X 1 1/4	1	
41@	933244	WASHER, FLAT SAE 1/2 GRD 9 YZ	2	
42@	448000	TENSIONER, IDLER ARM	1	
43@	544001	ADAPTOR, SHOULDER, FENNER DRIVE	1	
44@	25716	SCREW, MODIFIED 1/2-13 X 1 3/4	1	
45@	540003	PULLEY, W/BRG. 4" A SECTION	1	
46	933242	WASHER, FLAT SAE 3/8 GRD 9 YZ	2	

SP-6057 CONCRETE SAW — DEPTH STOP METER/CABLE ASSY.

DEPTH STOP METER/CABLE ASSY.



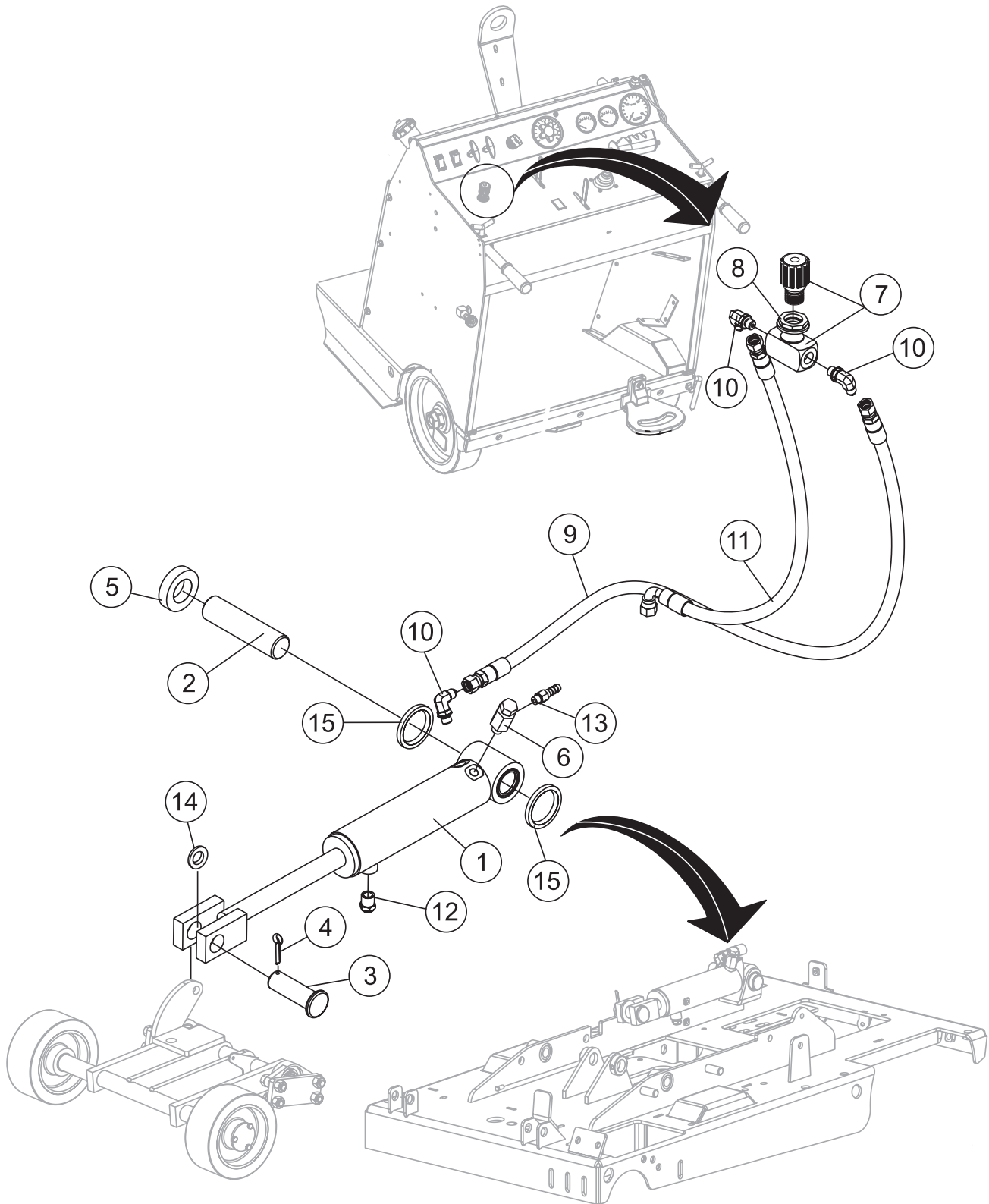
SP-6057 CONCRETE SAW — DEPTH STOP METER/CABLE ASSY.

DEPTH STOP METER/CABLE ASSY.

NO	PART NO	PART NAME	QTY.	REMARKS
1	25538	DEPTH METER ASSY.	1	INCLUDES ITEMS W/*
2*	560025	KNOB, SAW DEPTH INDICATOR	1	
3*	584025	STUD, 1/4-20X1 3/4" B7 NO PLATE	1	
4*	110031	POINTER, CONCRETE SAW DEPTH	1	
5*	583059	SHIM, 0.375 OD x 0.251 ID x 0.020 THICK	5	
6*	460019	FLANGE BEARING, 0.25 ID X 0.75 OD	1	
7*	973752	SCREW, BHSC, 1/4-20 x 5/8 SS	1	
8*	1618	NUT, NYLOC 10-24	3	
9*	125039	U-BRACKET W/A, SAW DEPTH INDICATOR	1	
10*	540011	PULLEY, CABLE 1.25 OD	8	
11*	926149	SCREW, SHDLR 1/4D X 5/16L , 10-24, SCKT HD	6	
12*	933240	WASHER, FLAT SAE 1/4 GRD 9 YZ	4	
13*	10024	NUT, NYLOC 1/4-20	2	
14*	923201	SCREW, SHC 1/4-20 x 1/2	1	
15	0131 A	SCREW, HHC 1/4-20 X 3/4	1	
16	1579	SCREW, HHC 1/4-20 x 1/2	1	
18	120243	TAB W/A, DEPTH INDICATOR	1	
19	923116	SCREW, SHC 8-32 x 3/4	2	
20	160013	AXLE, INDICATOR SHEAVE	1	
21	13287	NUT, NYLOC 8-32	2	
22	440012	CABLE, DEPTH INDICATOR	1	
23	565004	SPRING, EXTENSION, DEPTH INDICATOR	1	

SP-6057 CONCRETE SAW — DEPTH STOP CYLINDER/VALVE ASSY.

DEPTH STOP CYLINDER/VALVE ASSY.



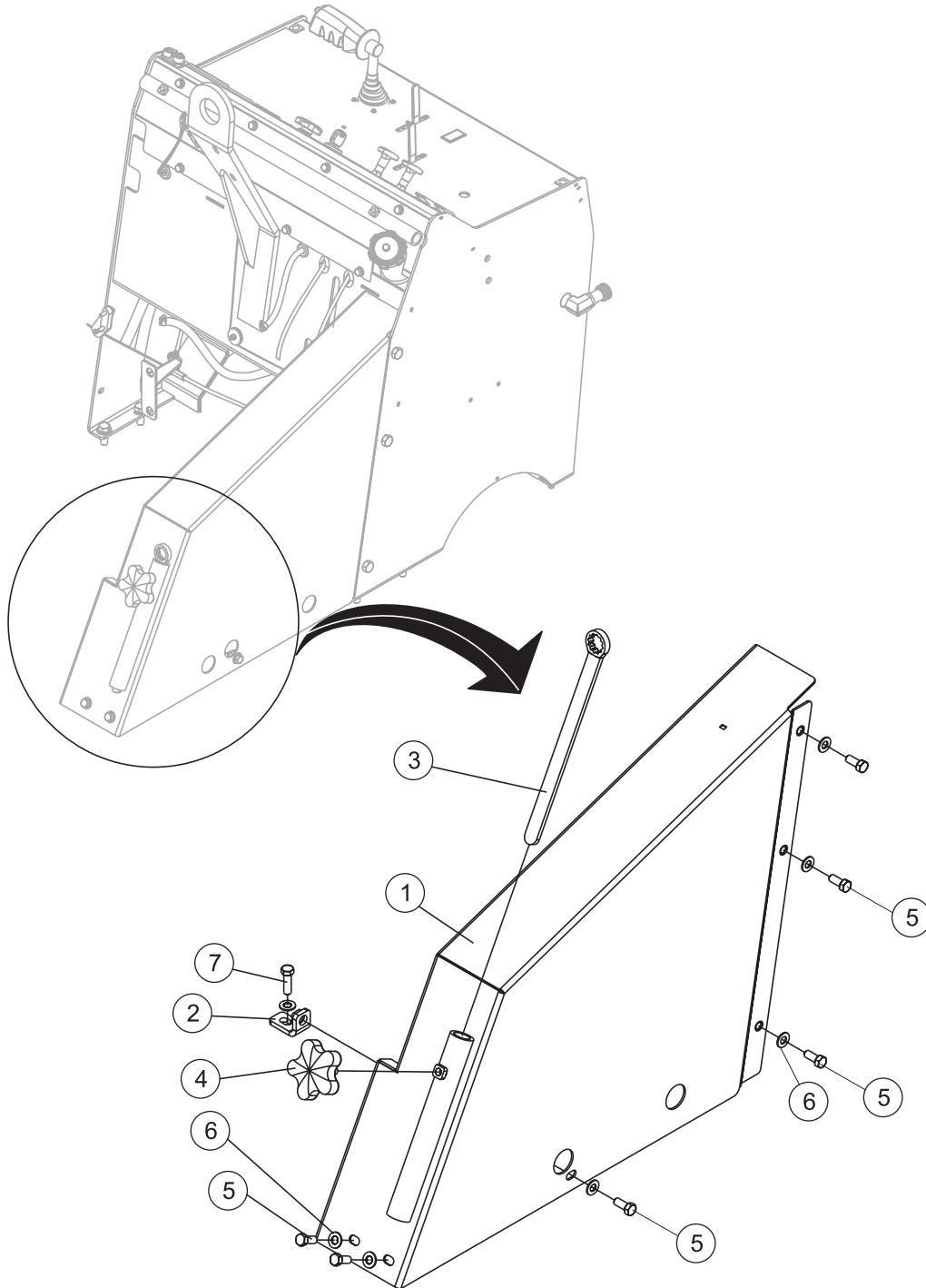
SP-6057 CONCRETE SAW — DEPTH STOP CYLINDER/VALVE ASSY.

DEPTH STOP CYLINDER/VALVE ASSY.

<u>NO</u>	<u>PART NO</u>	<u>PART NAME</u>	<u>QTY.</u>	<u>REMARK</u>
1	25545	CYLINDER, SAW DEPTH STOP	1	
2	169004	PIN, DEPTH STOP CYLINDER	1	
3	966166	PIN, CLEVIS 3/4 x 2	1	
4	965103	PIN, COTTER 5/32 x 1	1	
5	583061	SPACER, DEPTH STOP CYLINDER	1	
6	25632	FITTING, BLEEDER, DEPTH STOP	1	
7	446024	VALVE, DEPTH STOP FLOW CONTROL	1	
8	446024-1	PANEL MOUNT KIT, VALVE	1	
9	35006	HOSE ASM, 36.2" #4HP w/ 370821/370821	1	
10	368817	FITTING, 90 4MJ - 4MO	3	
11	35004	HOSE ASM, 22.7" #4HP w/ 370895/370821	1	
12	25675	FITTING, BRASS BREATHER VENT 1/4"	1	
13	25776	FITTING, BRASS STR 2BARB-10-32	1	
14	933247	WASHER, FLAT SAE 3/4 GRD 9 YZ	1	
15	480003	SEAL, OIL CR# 9815	2	

SP-6057 CONCRETE SAW — BELT GUARD

BELT GUARD



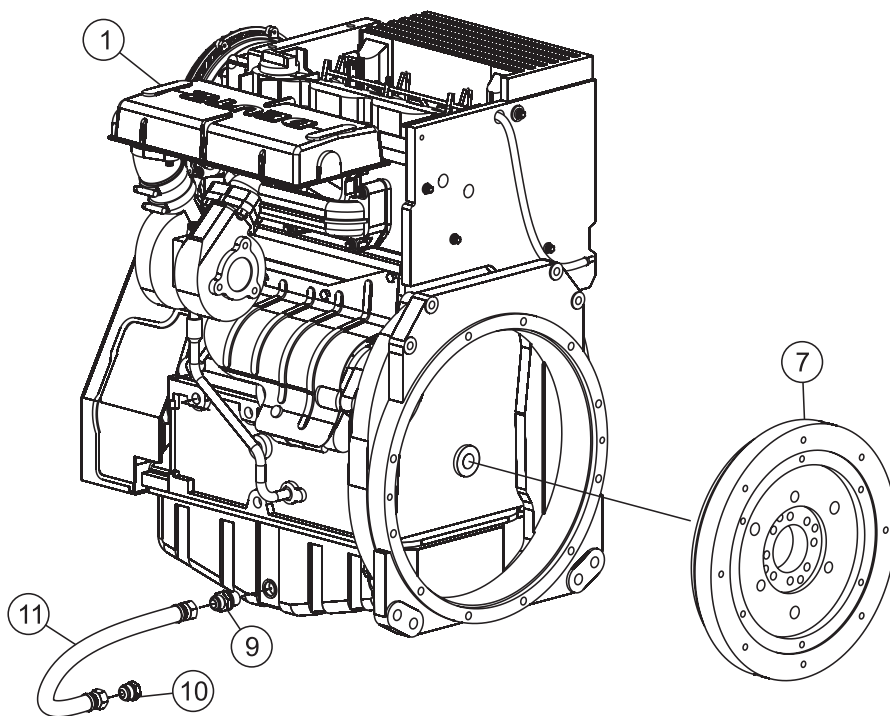
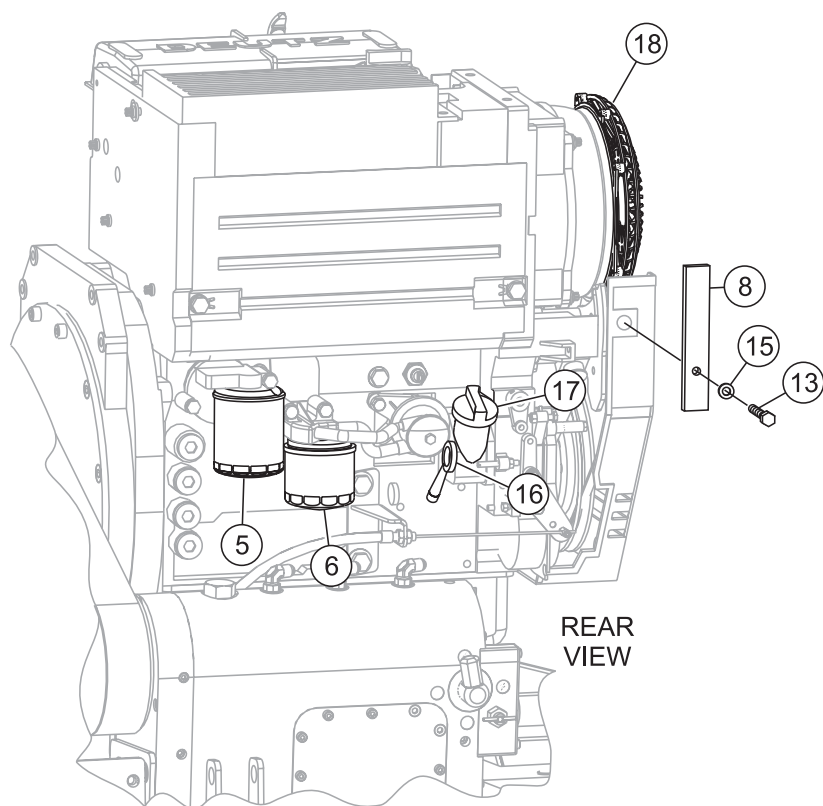
SP-6057 CONCRETE SAW — BELT GUARD

BELT GUARD

<u>NO</u>	<u>PART NO</u>	<u>PART NAME</u>	<u>QTY.</u>	<u>REMARK</u>
1	204017	BELT GUARD W/A, CONCRETE SAW (RED)	1	
2	125041	TAB W/A, SAW BELT GUARD	1	
3	584011	WRENCH, 15/16" BLADE CLOSED END	1	
4	15503	KNOB, COMFORT GRIP STAR, 3/8 - 16 X 1	1	
5	0166	SCREW, HHC 3/8-16 X 7/8	6	
6	933242	WASHER, FLAT SAE 3/8 GRD 9 YZ	7	
7	1023	SCREW, HHC 3/8-16 X 1 1/4 GR 5	1	

SP-6057 CONCRETE SAW — ENGINE ASSY.

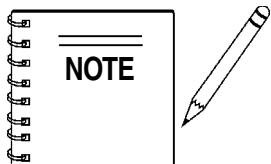
ENGINE ASSY.



SP-6057 CONCRETE SAW — ENGINE ASSY.

ENGINE ASSY.

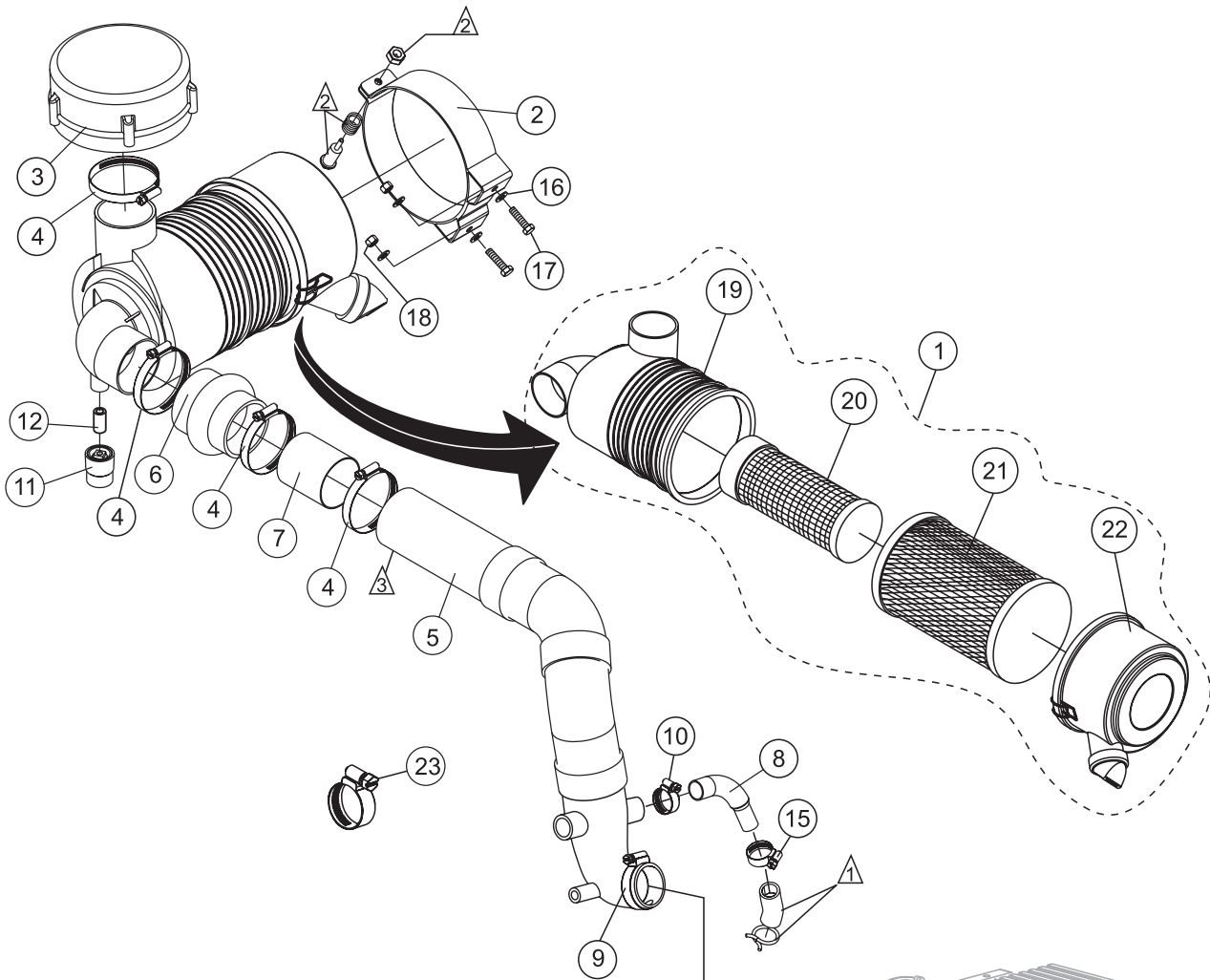
<u>NO.</u>	<u>PART NO.</u>	<u>PART NAME</u>	<u>QTY.</u>	<u>REMARKS</u>
1	261002	ENGINE, DEUTZ BF3L 1011FL 57HP TURBO DIESEL	1	TIER I
1	35396	ENGINE, DEUTZ BF3L 2011 60HP TURBO DIESEL	1	TIER II
5	306012	FILTER, OIL, DEUTZ	1	
6	304010	FILTER, FUEL, DEUTZ	1	
7	267002	FLYWHEEL, MODIFIED BF 3L 1011 FL	1	
8	205007	PLATE, HANDLEBAR STOP	1	
9	367681	FITTING, STR 8MJ-M18MO	1	
10	366030	FITTING, PLUG 8MJ	1	
11	35017	HOSE ASSY, 19.9" #8LP W/ 370677/370677	1	
13	946703	SCREW, HHC M8-1.25 X 25MM GR10.9	1	
15	933242	WASHER	1	
16	TBD	DIPSTICK	1	
17	TBD	OIL FILLER CAP	1	
18	267009	BLOWER JACKET 57HP DEUTZ TD 04179632	1	



Tier I Deutz engine no longer available.
 Tier II Deutz engine replacement
 requires separate engine wiring harness,
 air intake assembly and breather tube
 (see next page).

SP-6057 CONCRETE SAW — AIR INTAKE HOSE ASSY.

AIR INTAKE HOSE ASSY.

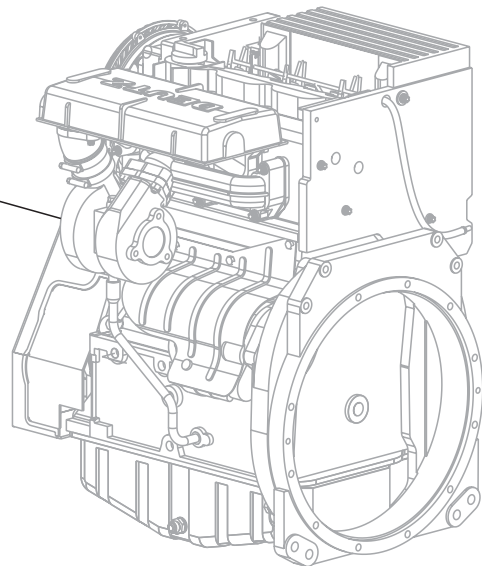


NOTES:

① SUPPLIED WITH ENGINE.
PURCHASE 3/4" OIL RESISTANT
HOSE LOCALLY.

② INCLUDED WITH ITEM 2.
CANNOT BE PURCHASED
SEPARATELY.

③ CUT END TO FIT.



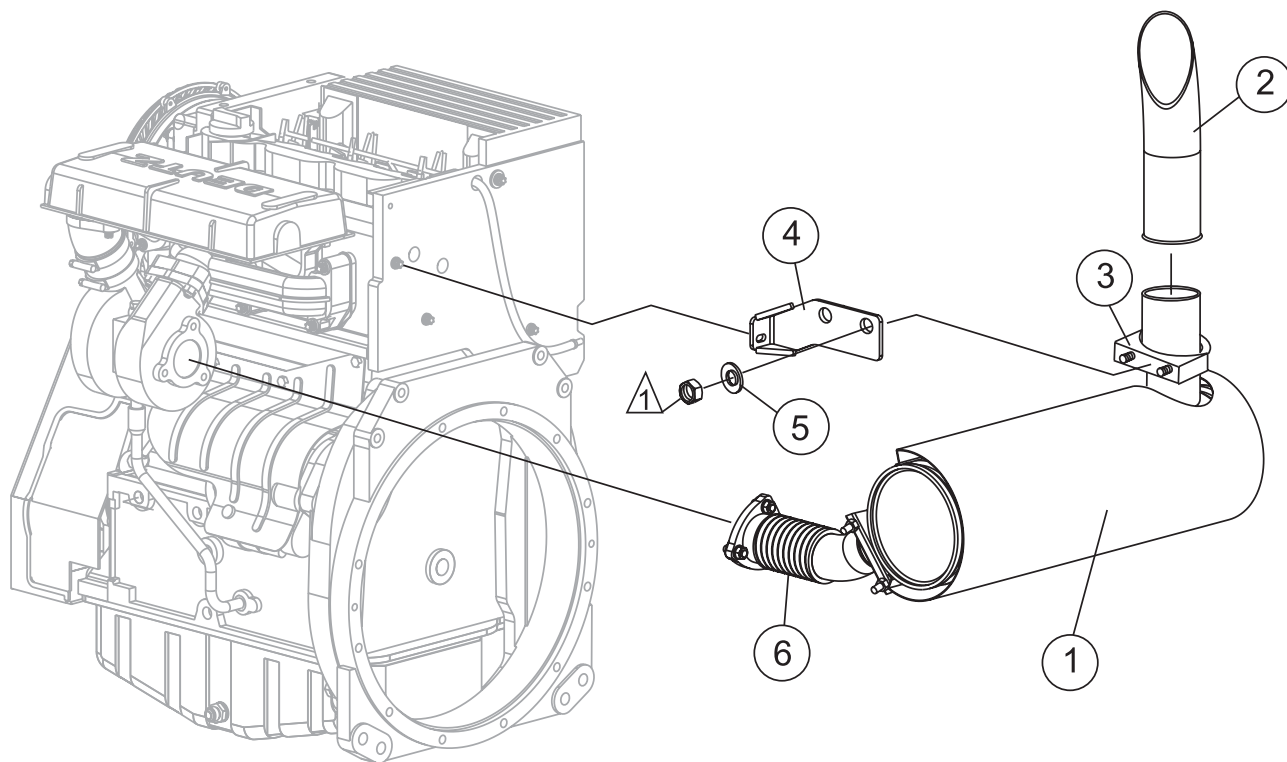
SP-6057 CONCRETE SAW — AIR INTAKE HOSE ASSY.

AIR INTAKE HOSE ASSY.

NO	PART NO	PART NAME	QTY.	REMARK
1	300010	AIR CLEANER, DONALDSON, W/90 DEG. BEND	1	INCLUDES ITEMS W/*
2	300007-1	BAND, DONALDSON AIR CLEANER	1	
3	282003	PREFILTER, ENGINE AIR 3"	1	
4	29218	CLAMP, HOSE WORM #48	4	TIER I
4	29218	CLAMP, HOSE WORM #48	3	TIER II
5	25625	AIR INTAKE HOSE ASM	1	
6	302009	HOSE, HUMP 3" x 2.75"	1	
7	584036	TUBING, AIR CLEANER SPLICE	1	
8	302012	TUBE, CRANCASE BREATHER, 57HP	1	
9	962017	CLAMP, HOSE WORM # 36	1	TIER I ONLY
10	3333	CLAMP, HOSE WORM # 12, 11/16" TO 1- 1/4"	1	TIER I ONLY
11	406018	INDICATOR, ELECTRICAL SERVICE 30" H2O/7.5KPa	1	
12	65516	FITTING, NIPPLE 1/8" MP	1	
15	35216	CLAMP, HOSE WORM # 10	1	TIER I ONLY
16	933241	WASHER, FLAT SAE 5/16 GRD 9 YZ	4	
17	2623	SCREW, HHC 5/16-18 x 1-1/4	2	
18	5283	NUT, NYLOC 5/16-18	2	
19*	300010-1	BODY, AIR FILTER	1	
20*	300009	AIR FILTER, SAFETY ELEMENT	1	
21*	300008	AIR FILTER, PRIMARY ELEMENT	1	
22*	300010-2	CAP, AIR FILTER	1	
23	15538	CLAMP, HOSE WORM #6, 7/16-11/16	1	TIER II ONLY

SP-6057 CONCRETE SAW — MUFFLER KIT ASSY.

MUFFLER KIT ASSY.



NOTES:
⚠️ INCLUDED WITH ITEM 3.

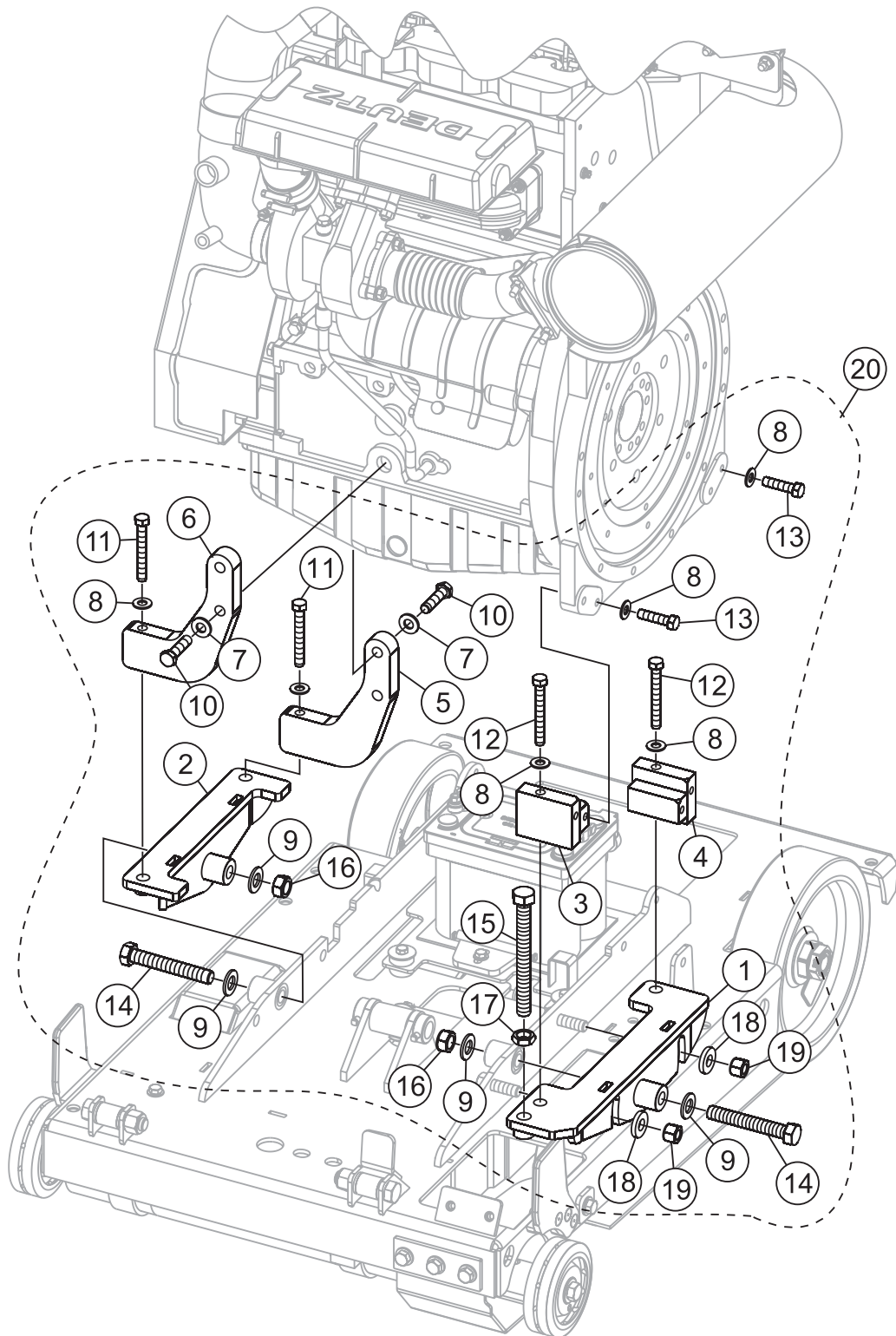
SP-6057 CONCRETE SAW — MUFFLER KIT ASSY

MUFFLER KIT ASSY.

<u>NO</u>	<u>PART NO</u>	<u>PART NAME</u>	<u>QTY.</u>	<u>REMARK</u>
1	280002	MUFFLER AND FLEX KIT ASSY.	1	
2	285003	EXHAUST, 12" EXTENSION	1	
3	570005	CLAMP, MUFFLER 2-1/2", 5/16" U-BOLT	1	
4	106088	BRACKET W/A, DEUTZ MUFFLER SUPPORT	1	
5	0300 B	WASHER, FLAT SAE 5/16	2	
6	280002	FLEX KIT	1	

SP-6057 CONCRETE SAW — ENGINE MOUNTING ASSY.

ENGINE MOUNTING ASSY.



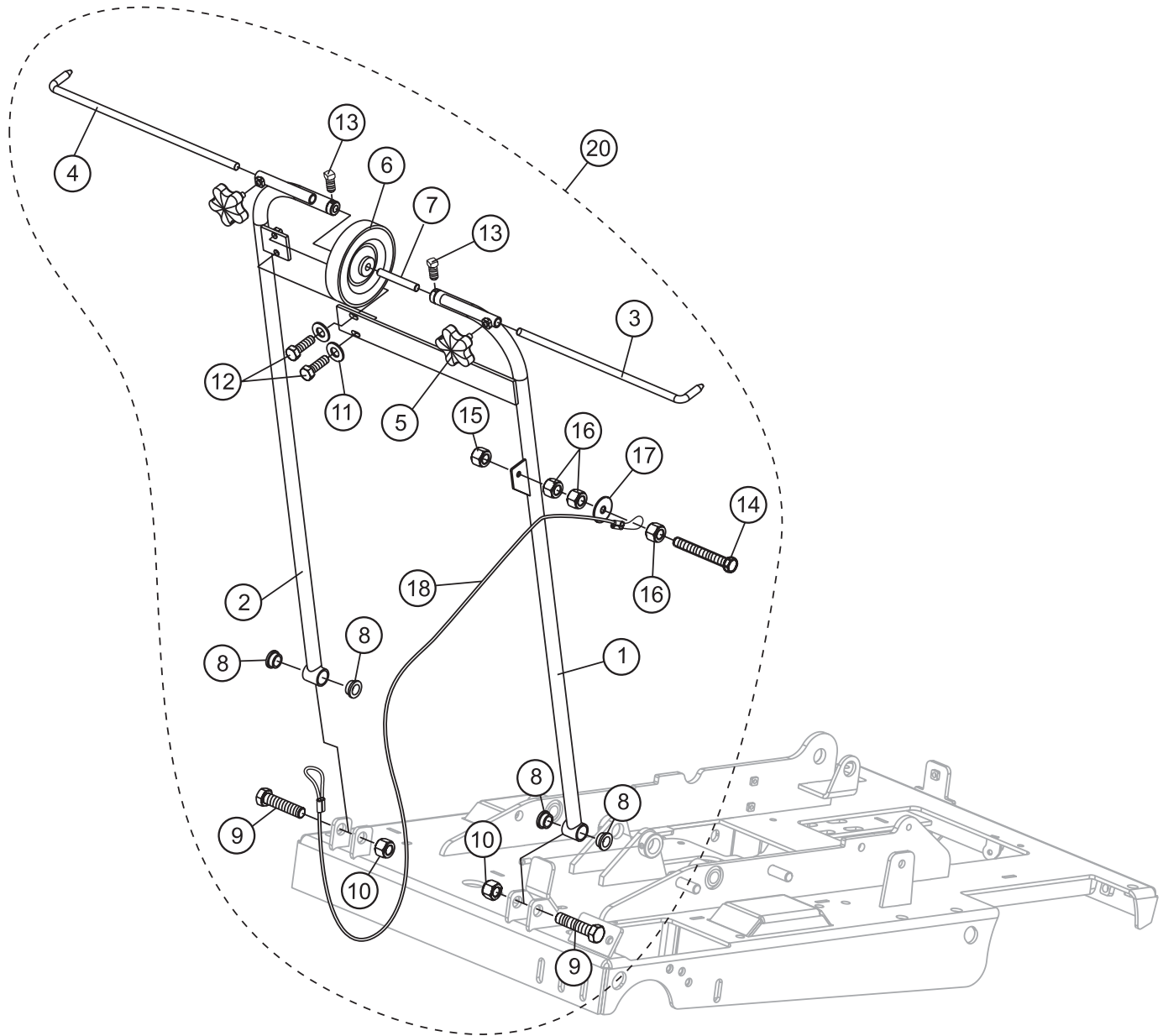
SP-6057 CONCRETE SAW — ENGINE MOUNTING ASSY.

ENGINE MOUNTING ASSY.

<u>NO.</u>	<u>PART NO.</u>	<u>PART NAME</u>	<u>QTY.</u>	<u>REMARKS</u>
1*	25614	TRUNNION W/A, DEUTZ ENGINE	1	
2*	25640	TRUNNION W/A, CONCRETE SAW ENGINE FRONT	1	
3*	120274	MOUNT, ENGINE , RH REAR DEUTZ	1	
4*	120273	MOUNT,ENGINE, LH REAR DEUTZ	1	
5*	120271	SUPPORT ARM, RH DEUTZ ENGINE DRILLED	1	
6*	120270	SUPPORT ARM, LH DEUTZ ENGINE DRILLED	1	
7*	933245	WASHER, FLAT SAE 9/16 GRD 9 YZ	4	
8*	933244	WASHER, FLAT SAE 1/2 GRD 9 YZ	8	
9*	933247	WASHER, FLAT SAE 3/4 GRD 9 YZ	4	
10*	940738	SCREW, HHC M14-2.0X55MM 10.9 NP	4	
11*	915218	SCREW, HHC 1/2-13 X 3-3/4GRD8	2	
12*	16521	SCREW, HHC 1/2-13 X 4 GD8	2	
13*	915211	SCREW, HHC 1/2-13 X 2 GR8 YZ	4	
14*	915373	SCREW, HHC 3/4-10X5GRD 8	2	
15*	120099-3	TAP BOLT, 3/4-10 X 8 ZINC GR 8	1	
16*	938067	NUT, TOP LOCK 3/4-10 GR9 YZ	2	
17*	936216	NUT, HEX JAM 3/4-10, ZINC	1	
18*	583068	WASHER, 1.5 OD X .68 ID X .25 THICK	2	
19*	9503	NUT, NYLOC 5/8-11	2	
20	35335	ENGINE MOUNTING KIT	1	INCLUDES ITEMS W/*

SP-6057 CONCRETE SAW — POINTER ASSY.

POINTER ASSY.



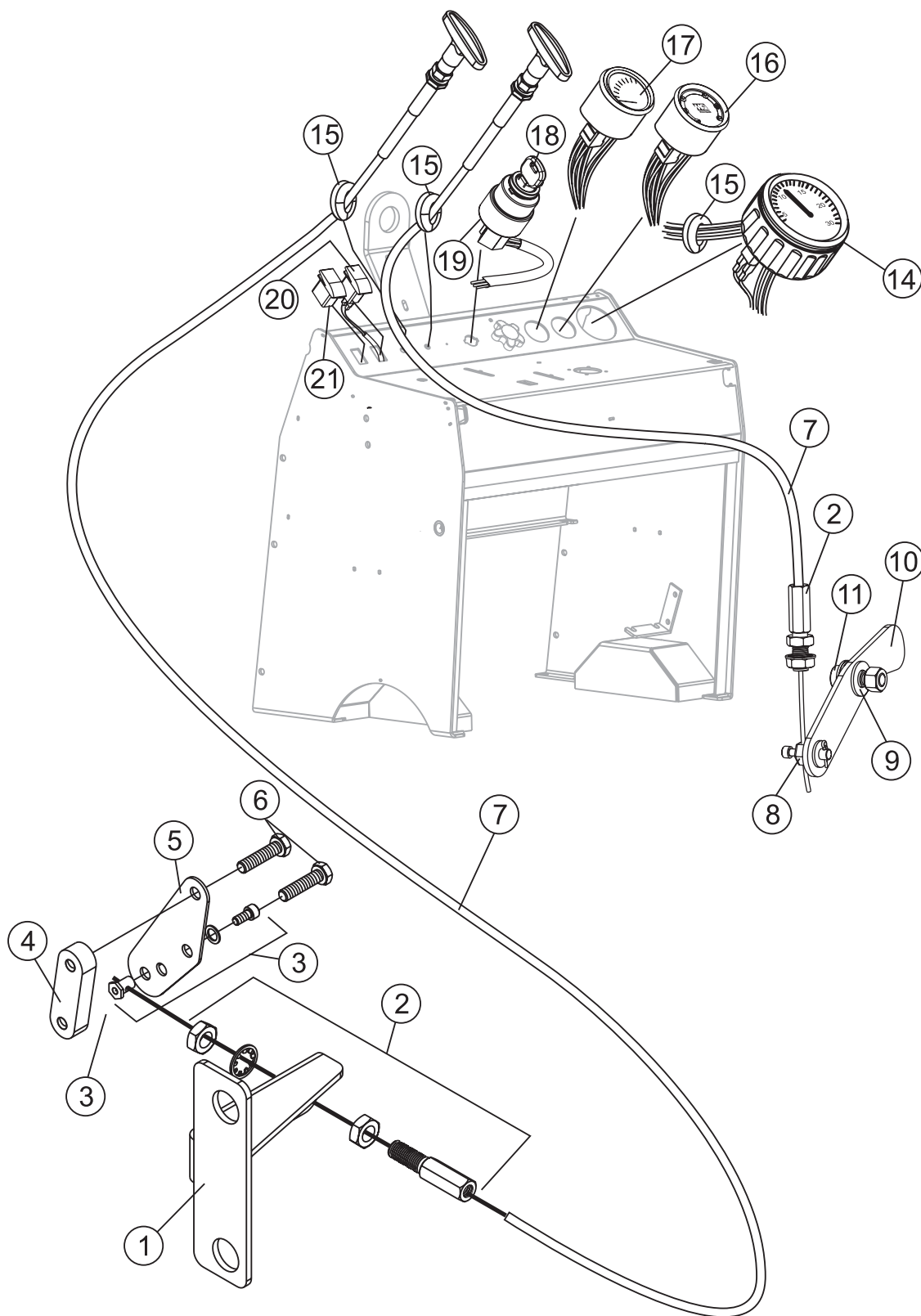
SP-6057 CONCRETE SAW — POINTER ASSY.

POINTER ASSY.

<u>NO</u>	<u>PART NO</u>	<u>PART NAME</u>	<u>QTY.</u>	<u>REMARK</u>
1*	120094	FRAME W/A, LH SAW POINTER	1	
2*	120095	FRAME W/A, RH SAW POINTER	1	
3*	110038	SAW POINTER, 15" LEFT FRONT	1	
4*	110044	POINTER, RIGHT FRONT 17 1/4"	1	
5*	15503	KNOB, COMFORT GRIP STAR, 3/8 - 16 X 1	2	
6*	500005	WHEEL, POINTER, 6"X1"	1	
7*	160004	AXLE, POINTER WHEEL	1	
8*	582008	BUSHING, FLANGE, 1.0 OD x .75 ID	4	
9*	995366	SCREW, HHC 3/4-10x3-1/4 YZ5	2	
10*	5070 B	NUT, NYLOC 3/4-10	2	
11*	933241	WASHER, FLAT SAE 5/16 GRD 9 YZ	2	
12*	0202	SCREW, HHC 5/16-18 X 1 ZINC	2	
13*	926006	SCREW, SQHS, CP 1/4-20 x 1/2	2	
14*	20473	SCREW, HHC 3/8-16 x 3 FULL THREAD GR5	1	
15*	10133	NUT, NYLOC 3/8-16	1	
16*	1456	NUT, HEX FINISH 3/8-16	3	
17*	3233	WASHER, FENDER, 1.5OD X 3/8ID	2	
18*	574003	ROPE, POINTER ASSY.	1	
20	M10006	POINTER ASSY	1	INCLUDES ITEMS W/*

SP-6057 CONCRETE SAW — GAUGES AND CONTROLS ASSY.

GAUGES AND CONTROLS ASSY.



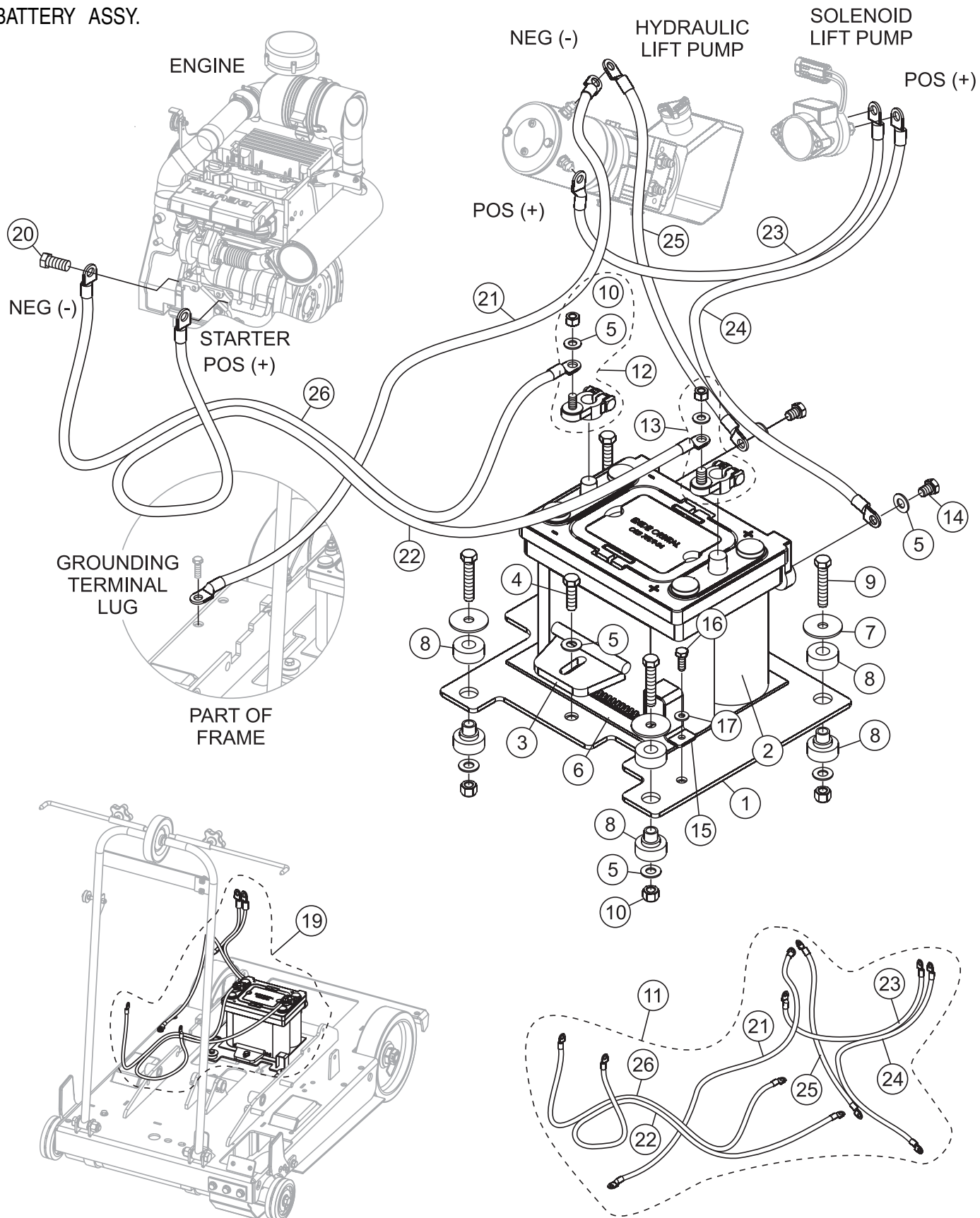
SP-6057 CONCRETE SAW — GAUGES AND CONTROLS ASSY.

GAUGES AND CONTROLS ASSY.

<u>NO</u>	<u>PART NO</u>	<u>PART NAME</u>	<u>QTY.</u>	<u>REMARK</u>
1	120222	BRACKET, DEUTZ THROTTLE CABLE	1	
2	25634	BULK HEAD ADAPTOR	2	
3	25624	SWIVEL, CABLE END	1	
4	448004-1	SPACER, DEUTZ THROTTLE ACTUATOR ARM	1	
5	448004	ARM, DEUTZ THROTTLE ACTUATOR	1	
6	M940653	SCREW, HHC M6-1.0 X 25MM GR10.9	2	
7	15171	CABLE, PULL (THROTTLE/DRIVE ENGAGE)	2	
8	584028	PIVOT END, CABLE	1	
9	933242	WASHER, FLAT SAE 3/8 GRD 9 YZ	6	
10	448006	CAM LEVER, CONCRETE SAW	1	
11	926327	SCREW, SHDLR 3/8D X 1/2L, 5/16-1, SCKT HD	1	
14	421000	TACHOMETER, ELECTRIC 0-3000 RPM	1	
15	579072	GROMMET. 1/2" ID	4	
16	406021	INDICATOR, ENGINE	1	
17	423000	VOLTMETER	1	
18	406017-1	KEY, IGNITION	2	
19	406017	IGNITION SWITCH W/KEYS	1	
20	406000	SWITCH, ROCKER, CH# M-58031-01	2	AUX AND LIGHTS
21	406020	BLANK, ROCKER SWITCH COVER	1	AUX SWITCH NOT USED

SP-6057 CONCRETE SAW — BATTERY ASSY.

BATTERY ASSY.



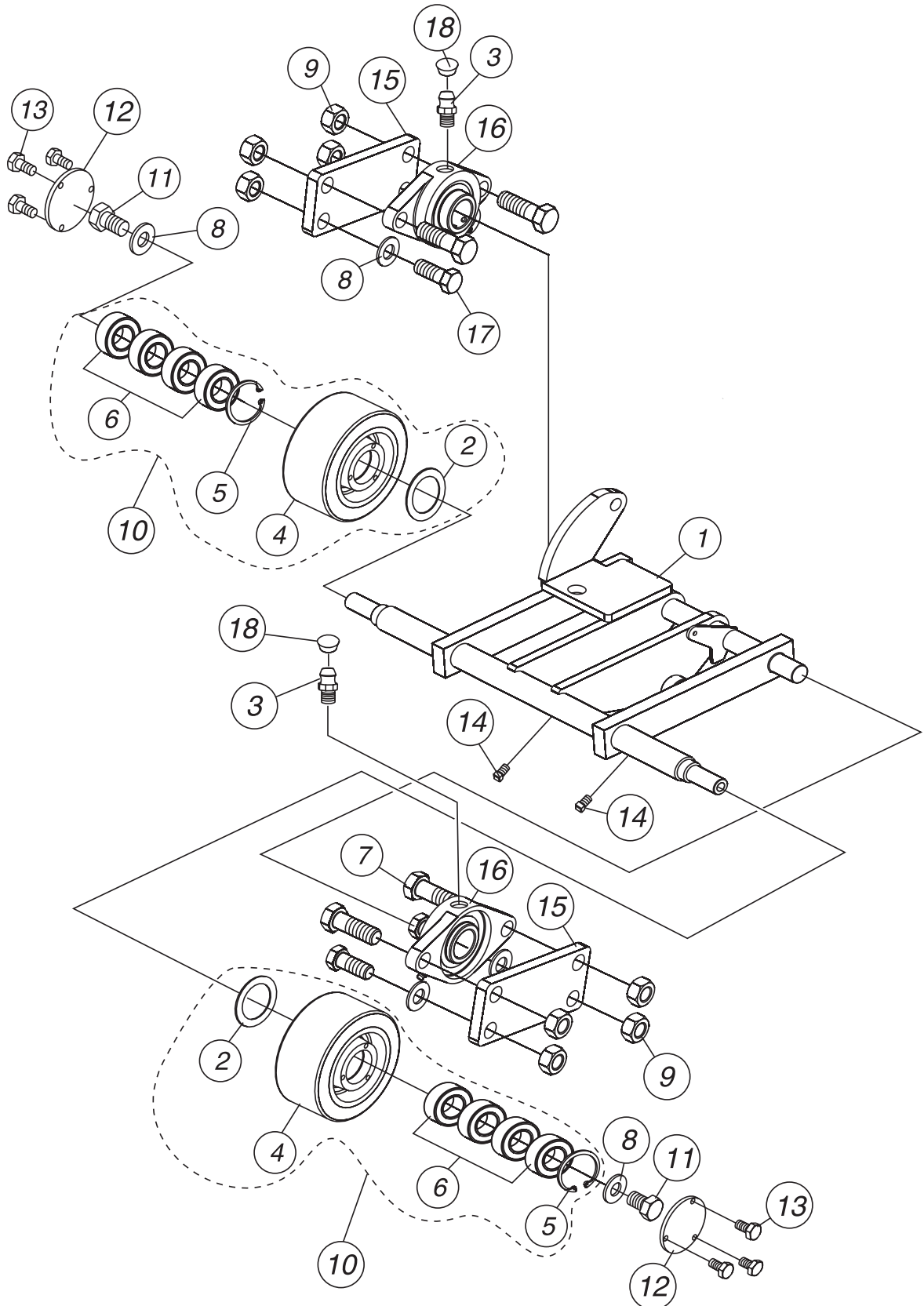
SP-6057 CONCRETE SAW — BATTERY ASSY.

BATTERY ASSY.

<u>NO.</u>	<u>PART NO.</u>	<u>PART NAME</u>	<u>QTY.</u>	<u>REMARKS</u>
1*	25597	PLATFORM W/A, CONCRETE SAW BATTERY	1	
2*	404006	BATTERY, EXIDE ORB75DT-84	1	
3*	125051	CLIP W/A, BATTERY RETAINER	1	
4*	1023	SCREW, HHC 3/8-16 X 1-1/4 GR 5	1	
5*	933242	WASHER, FLAT SAE 3/8 GRD 9 YZ	7	
6*	206011	PAD, RUBBER, CONCRETE SAW BATTERY	1	
7*	12832	WASHER, SNUBBING	4	
8*	575001	RUBBER ISOLATOR, TPC# 60166-1	4	
9*	1665	SCREW, HHC 3/8-16 X 2	4	
10*	10133	NUT, NYLOC 3/8-16	4	
11	25826	BATTERY CABLE KIT	1	INCLUDES ITEMS W/#
12*	405061	TERMINAL, NEGATIVE BATTERY, MARINE	1	
13*	405060	TERMINAL, POSITIVE BATTERY, MARINE	1	
14*	915101	SCREW, HHC 3/8-16 X 1/2 GRD8	2	
15*	125042	HOSE BRACKET W/A	1	
16*	0131 A	SCREW, HHC 1/4-20 X 3/4	1	
17*	933240	WASHER, FLAT SAE 1/4 GRD 9 YZ	1	
19	35199	BATTERY AND MOUNTING ASSY.....	1	INCLUDES ITEMS W/*
20	940692	SCREW, HHC M10-1.5 X 20MM	1	
21*#	35038	CABLE ASSY, BATTERY	1	
22*#	35039	CABLE ASSY, BATTERY	1	
23*#	35040	CABLE ASSY, BATTERY	1	
24*#	35041	CABLE ASSY, BATTERY	1	
25*#	35042	CABLE ASSY, BATTERY	1	
26*#	35043	CABLE ASSY, BATTERY	1	

SP-6057 CONCRETE SAW — FRONT AXLE ASSY.

FRONT AXLE ASSY.



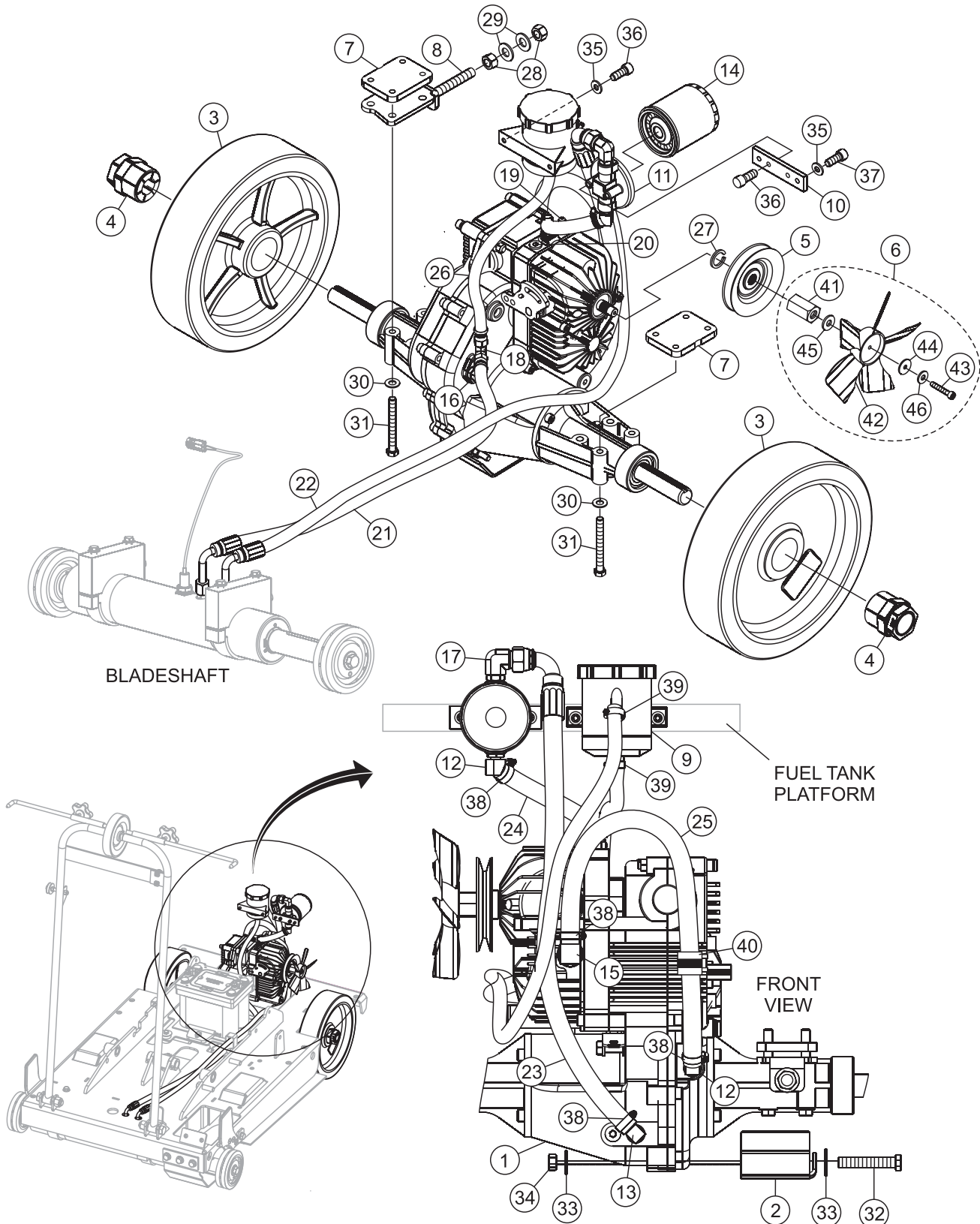
SP-6057 CONCRETE SAW — FRONT AXLE ASSY.

FRONT AXLE ASSY.

<u>NO.</u>	<u>PART NO.</u>	<u>PART NAME</u>	<u>QTY.</u>	<u>REMARKS</u>
1	16013-1	FRONT AXLE W/A, CONCRETE SAW	1	
2*	480003	SEAL, OIL CR# 9815	2	
3	2621	FITTING, GREASE ZERK STR 1/4-28	2	
4*	500006	WHEEL, 8 x 3 URETHANE, NO BEARINGS	1	
5*	576003	SNAP RING- HO-185	2	
6*	460002	BEARING, BALL, KOYO # 6005 2RS	4	
7	912311	SCREW, HHC 5/8-11 x 2	4	
8	933246	WASHER, FLAT 5/8 SAE GRD9 YZ	6	
9	4702	NUT, HEX FINISH 5/8-11	8	
10	M16020	WHEEL, 8 x 3 WITH BEARINGS, ASSY.	2	INCLUDES ITEMS W/*
11	06505-008	SCREW, HHC 5/8-11x1.00	2	
12	508005	PLATE, WHEEL COVER	2	
13	1579	SCREW, HHC 1/4-20 x .5	6	
14	926064	SCREW, SQHS,CP 5/16-24 x 5/8	2	
15	583096	BACKING PLATE, SAW AXLE PIVOT BEARING	2	
16	25599	BEARING, FLANGE 1.13"IDx4.59"BB	2	
17	21376	SCREW, HHC 5/8-11 x 1-1/2	4	
18	1162A	CAP, GREASE ZERK #2 YELLOW	2	

SP-6057 CONCRETE SAW — DRIVE ASSY.

DRIVE ASSY.



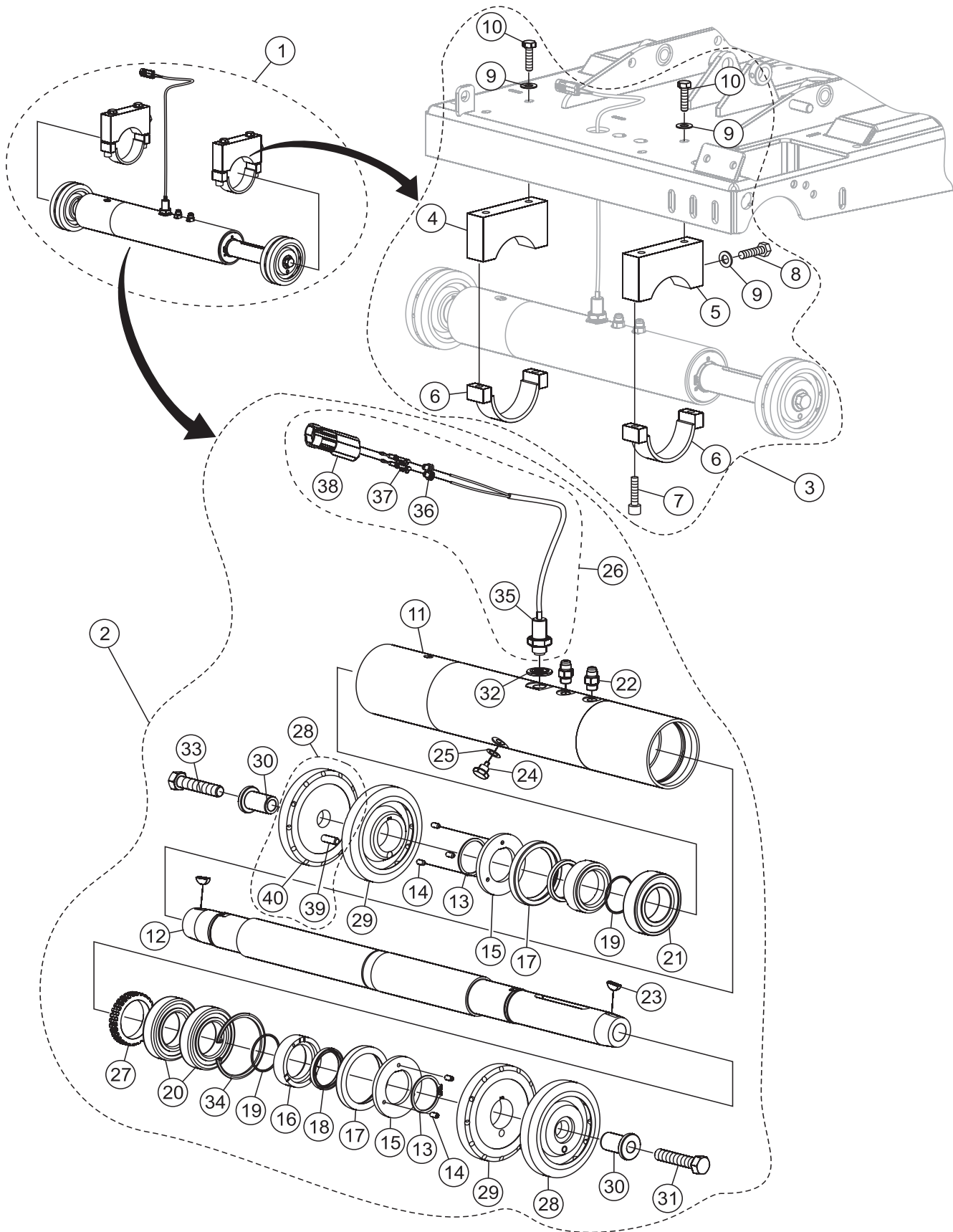
SP-6057 CONCRETE SAW — DRIVE ASSY.

DRIVE ASSY.

<u>NO.</u>	<u>PART NO.</u>	<u>PART NAME</u>	<u>QTY.</u>	<u>REMARKS</u>
1*	263003	TRANSAXLE, SAUER 230-3010L LOCKED	1	
2*	206005	SKID PLATE, TRANS-AXLE	1	
3*	500009	WHEEL, REAR 12"X3"X2" BORE	2	
4*	582038	BUSHING, 1.0" TRANSTORQUE KEYLESS	2	
5*	540033- 4	PULLEY, 4.13 X A X 18 TOOTH SPLINE	1	
6*	35190	FAN GROUP	1	INCLUDES ITEMS W/%
7*	120078	BACKING PLATE, SAW TRANSAXLE	2	
8*	125040	BRACKET, ALIGNMENT ADJUSTING	1	
9*	144003	RESERVOIR, HYDRAULIC OIL	1	
10*	120260	PLATE, HYDRAULIC OIL FILTER ADAPTER	1	
11*	25617	FILTER HEAD, TRANSAXLE	1	
12*	370192	FITTING, 45 8BEAD SHORT-6MO	3	
13*	370162-1	FITTING, 90 8BARB - 6MO	1	
14*	306006	FILTER, TRANSAXLE	1	
15*	35226	FITTING, 90 8 BEADED HOSE X 10MO	1	
16*	11722	FITTING, 90 6MJ-6MO	1	
17*	12431	FITTING, 90 8MJ-6MO	1	
18*	366692	FITTING, RUN TEE 6MJ - 6MJ - 6FJ	1	
19*	367470	FITTING, STR 4MJ - 6MO	1	
20*	368699	FITTING, PLUG 6MO HEX SKT HD	2	
21*	35014	HOSE ASM, 36.2" #6LP W/ 370674/370922	1	
22*	35015	HOSE ASM, 59.3" #6LP W/ 370922	1	
23*	35018	HOSE ASM, 23.3" #8LP W/ 370900	1	
24*	35019	HOSE, 1/2 ID PUSHLOCK 250 PSI, 6"	1	
25*	25976	HOSE, 1/2 ID PUSHLOCK 250 PSI, 18.5"	1	
26*	35012	HOSE ASM, 17.9" #6LP W/ 370674	1	
27*	25623	CIRCLIP	1	
28*	968011	NUT, HEX FINISH 1/2-13	2	
29*	933244	WASHER, FLAT SAE 1/2 GRD 9 YZ	2	
30*	933242	WASHER, FLAT SAE 3/8 GRD 9 YZ	8	
31*	06501-028	SCREW, HHC 3/8-16 X 3-1/2	8	
32*	06500-020	SCREW, HHC 5/16-18 X 2-1/2	2	
33*	933241	WASHER, FLAT SAE 5/16 GRD 9 YZ	4	
34*	5283	NUT, NYLOC 5/16-18	2	
35*	933076	WASHER, FLAT SAE #12 ZINC	4	
36*	923201	SCREW, SHC 1/4-20 X 1/2	4	
37*	923202	SCREW, SHC 1/4-20 X 5/8	2	
38*	15538	CLAMP, HOSE WORM # 6	5	
39*	19473	CLAMP, HOSE WORM # 2	2	
40*	35025	CLAMP, LOOM CUSHIONED #12	1	
41*%	583064	STAND OFF, 1.00 HEX X 1.483	1	
42*%	384001	FAN, 5-BLADE	1	
43*%	923118	SCREW, SHC 8-32X1 NP	1	
44*%	933201	WASHER, FENDER 3/16 X 3/4 ZINC	1	
45*%	933242	WASHER, FLAT SAE 3/8 GRD 9 YZ	1	
46*%	933072	WASHER, FLAT SAE #8 ZINC	1	

SP-6057 CONCRETE SAW — BLADESHAFT AND MOUNTING ASSY.

BLADESHAFT AND MOUNTING ASSY.



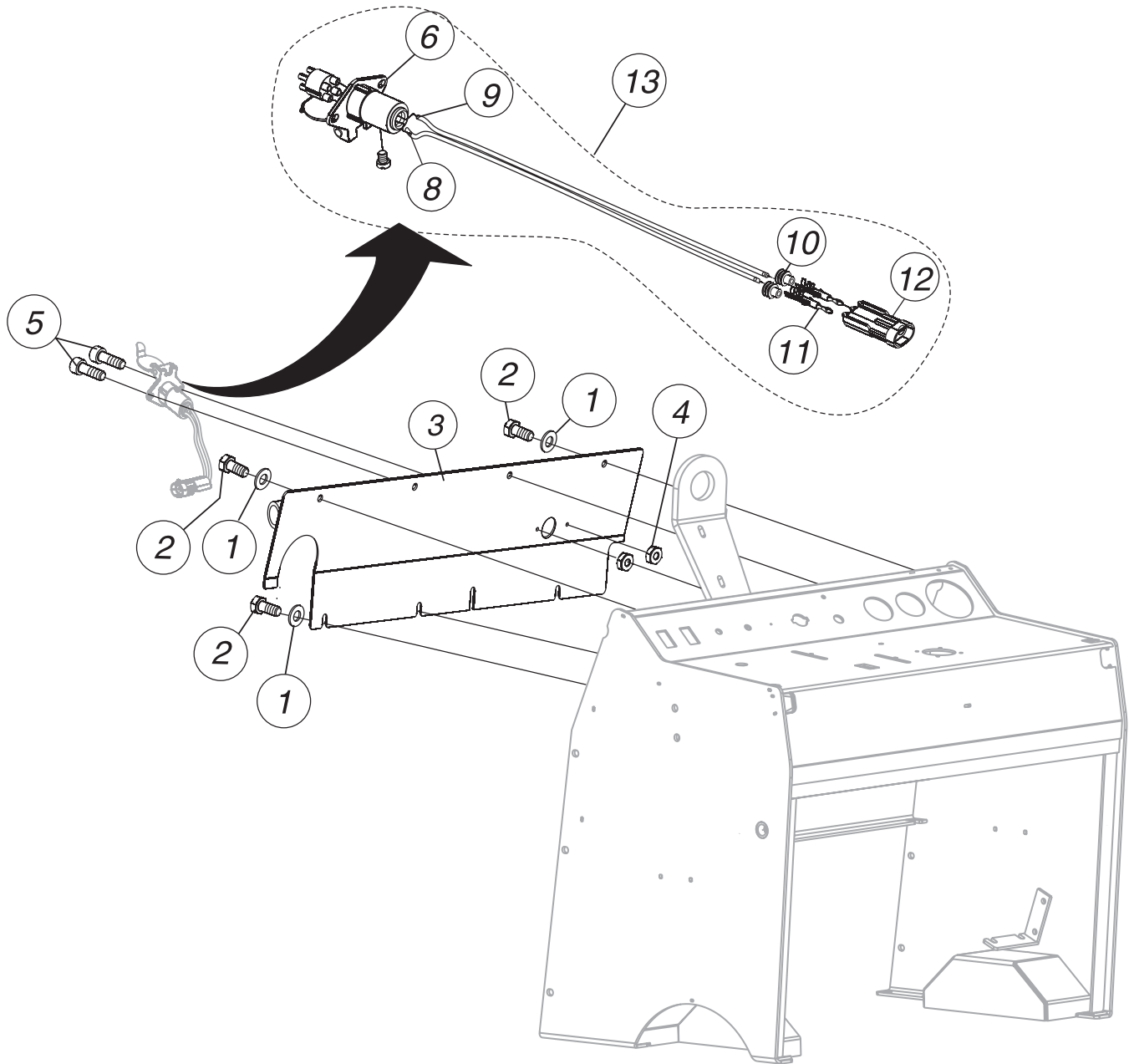
SP-6057 CONCRETE SAW — BLADESHAFT AND MOUNTING ASSY.

BLADESHAFT AND MOUNTING ASSY.

<u>NO.</u>	<u>PART NO.</u>	<u>PART NAME</u>	<u>QTY.</u>	<u>REMARKS</u>
1	35193	BLADESHAFT AND MOUNTING GROUP, 6000 SERIES	1	INCLUDES ITEMS W/*
2*	M15003	BLADESHAFT ASSY., SINGLE SPEED CONCRETE SAW	1	INCLUDES ITEMS W/%
3*	35194	MOUNTING ASSY., 6000 SERIES	1	INCLUDES ITEMS W/#
4*#	120226	MOUNTING BLOCK, BLADESHAFT W/PIN	1	
5*#	120225	MOUNTING BLOCK, BLADESHAFT	1	
6*#	120224	SADDLE CLAMP W/A 1.50X4.00 BLADESHAFT	2	
7*#	923357	SCREW, SHC 7/16-14 X 1-1/4, NP	4	
8*#	16530	SCREW, HHC 7/16-14 X 1	2	
9*#	933243	WASHER, FLAT SAE 7/16 GRD 9 YZ	6	
10*#	06502-010	SCREW, HHC 7/16-14 X 1-1/4	4	
11*#%	168008	HOUSING, SINGLE SPEED BLADESHAFT	1	
12*#%	162003	BLADE SHAFT, SINGLE SPEED	1	
13*#%	576006	SNAP RING, ROTO CLIP # SH-196	2	
14*#%	925382	SCREW, SHS, KP 1/4-20 X 1/2	6	
15*#%	486001	THRUST WASHER, 6000 SERIES	2	
16*#%	485003	SLEEVE, BLADE SHAFT SEAL	2	
17*#%	480006	SEAL, OIL CR# 28655	2	
18*#%	480007	OIL SEAL, JOINT RADIAL	2	
19*#%	578135	O-RING, VITON # AS-135	2	
20*#%	460010	BEARING, ROLLER KOYO # 7210BGC3	2	
21*#%	39460011	BEARING, BALL KOYO # NU2210RC3	1	
22*#%	11721	FITTING, STR 6MJ-6M0	2	
23*#%	927048	KEY, WOODRUFF, #807	2	
24*#%	583026	DRAIN PLUG, MAGNETIC, 1/2-20	1	
25*#%	577009	GASKET, DRAIN PLUG	1	
26*#%	35254	SENDER ASM, TACHOMETER SIGNAL GENERATOR	1	INCLUDES ITEMS W/+
27*#%	25690	GEAR, SAW BLADE SHAFT SPEED PICKUP	1	
28*#%	180003	COLLAR ASM, OUTER BLADE SHAFT	2	INCLUDES ITEMS W/@
29*#%	180004	COLLAR, INNER BLADE SHAFT	2	
30*#%	582012	BUSHING, QUICK DISCONNECT BLADE SHAFT	2	
31*#%	915316	SCREW, HHC 5/8-11X 3 LH GR8	1	
32*#%	25695	WASHER, SEAL 3/4"	1	
33*#%	915315	SCREW, HHC 5/8-11X3 GR8	1	
34*#%	576007	SNAP RING VH0-354	1	
35*#%+	421001	GENERATOR, TACHOMETER SIGNAL	1	
36*#%+	12171	SEAL, WEATHERPACK 16-18 GA, GREEN	2	
37*#%+	12179	TERMINAL, WEATHERPACK MALE 14-16 GA	2	
38*#%+	12176	CONNECTOR, WEATHERPACK 2 MALE PIN	1	
39*#@	926790	PIN, DOWEL 3/8 - 1-3/4	2	
40*#@	180003-1	COLLAR, OUTER BLADE SHAFT	2	

SP-6057 CONCRETE SAW — LIGHT CONNECTOR/DASH PANEL ASSY.

LIGHT CONNECTOR/DASH PANEL ASSY.



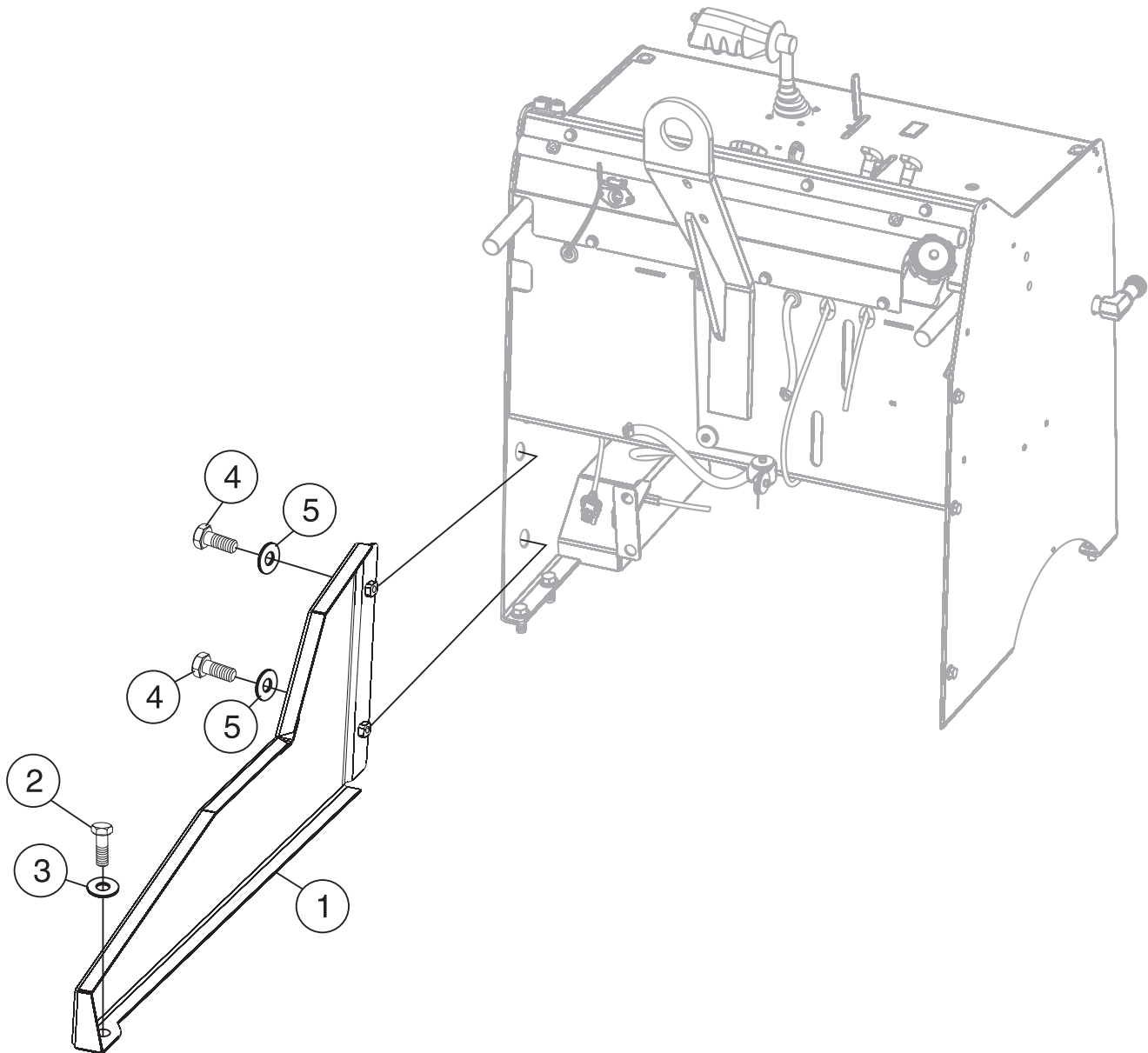
SP-6057 CONCRETE SAW — LIGHT CONNECTOR/DASH PANEL ASSY.

LIGHT CONNECTOR/DASH PANEL ASSY.

<u>NO.</u>	<u>PART NO.</u>	<u>PART NAME</u>	<u>QTY.</u>	<u>REMARKS</u>
1	933241	WASHER, FLAT SAE 5/16 GRD 9 YZ	7	
2	0655	SCREW, HHC 5/16-18 X 3/4	7	
3	104016	COVER W/A, CONCRETE SAW DASH PANEL	1	
4	13287	NUT, NYLOC 8-32	2	
5	923114	SCREW, SHC 8-32 x 1/2	2	
6*	405000	CONNECTOR, 4-WAY SOCKET CHROME	1	
8*	25865-1	WIRE, BLACK #14	?	
9*	25865-2	WIRE, BLACK #14	?	
10*	12171	SEAL, WEATHERPACK 16-18 GA , GREEN	2	
11*	12179	TERMINAL, WEATHERPACK MALE 14-16 GA	2	
12*	12176	CONNECTOR, WEATHERPACK 2 PIN MALE	1	
13	25865	HARNESS, LIGHT KIT	1	INCLUDES ITEMS W/*

SP-6057 CONCRETE SAW — ENGINE GUARD ASSY.

ENGINE GUARD ASSY.



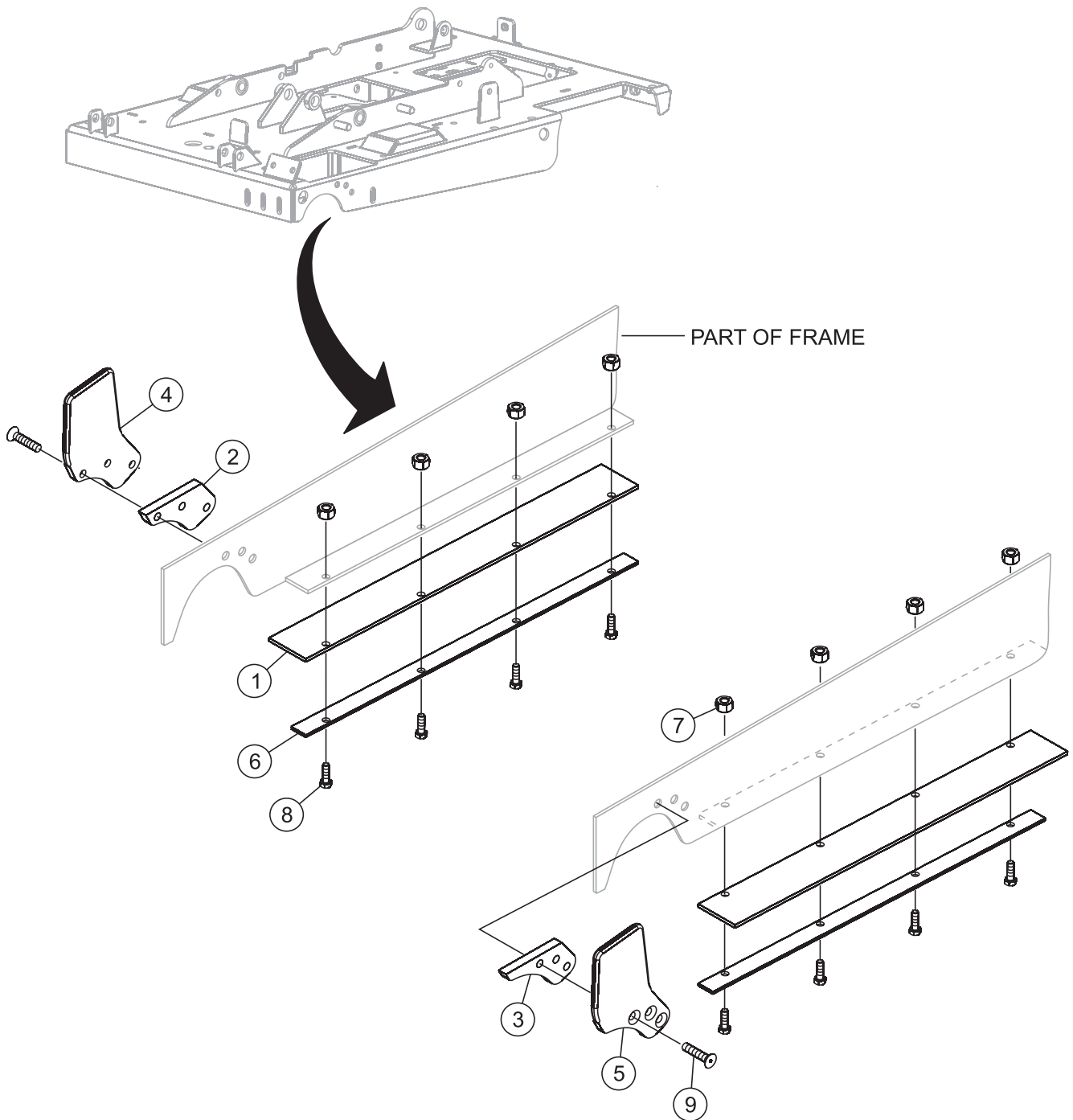
SP-6057 CONCRETE SAW — ENGINE GUARD ASSY.

ENGINE GUARD ASSY.

<u>NO.</u>	<u>PART NO.</u>	<u>PART NAME</u>	<u>QTY.</u>	<u>REMARKS</u>
1	205010	GUARD W/A CONCRETE SAW ENGINE	1	
2	2691	SCREW, HHC 1/2-13 X1"	1	
3	933244	WASHER, FLAT SAE 1/2" GRD 9 YZ	1	
4	0166	SCREW, HHC 3/8-16 X 7/8"	2	
5	933242	WASHER, FLAT SAE 3/8" GRD 9 YZ	1	

SP-6057 CONCRETE SAW — BLADE GUARD MOUNT/WIPER ASSY.

BLADE GUARD MOUNT/WIPER ASSY.



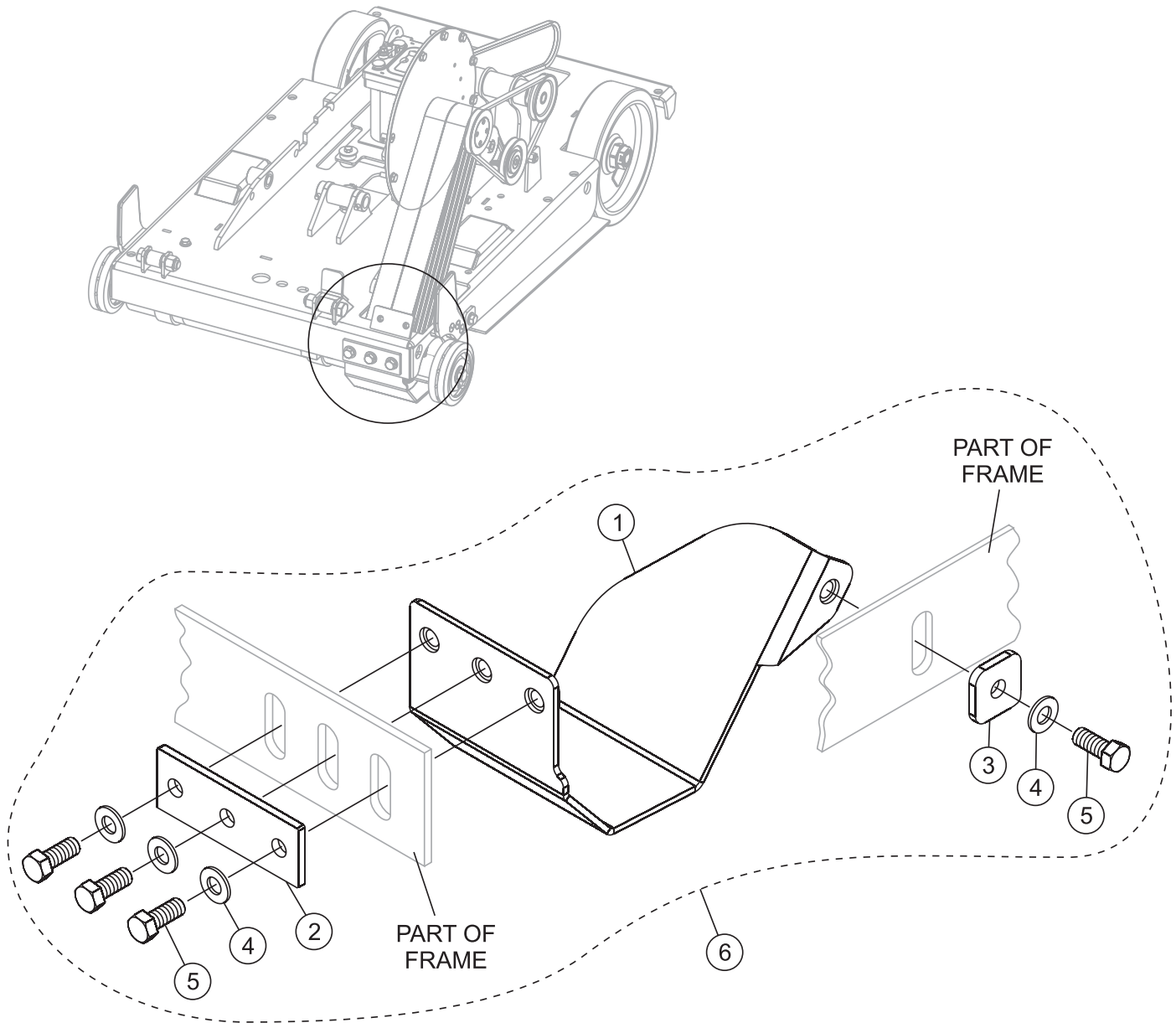
SP-6057 CONCRETE SAW — BLADE GUARD MOUNT/WIPER ASSY.

BLADE GUARD MOUNT/WIPER ASSY.

<u>NO.</u>	<u>PART NO.</u>	<u>PART NAME</u>	<u>QTY.</u>	<u>REMARKS</u>
1*	206006	STRIPS, SLURRY	2	
2*	120093	SPACER, RH BLADE CLIP	1	
3*	120091	SPACER, LH BLADE CLIP	1	
4*	120092	CLIP, RH BLADEGUARD MOUNT	1	
5*	120090	CLIP, LH BLADEGUARD MOUNT	1	
6*	100019	BACKING PLATE, CONCRETE SAW	2	
7*	5283	NUT, NYLOC 5/16-18	8	
8*	0202	SCREW, HHC 5/16-18 X 1 ZINC	8	
9*	924289	SCREW, FHSC 3/8-16 X 1-3/4	6	

SP-6057 CONCRETE SAW — LOWER BELT GUARD ASSY.

LOWER BELT GUARD ASSY.



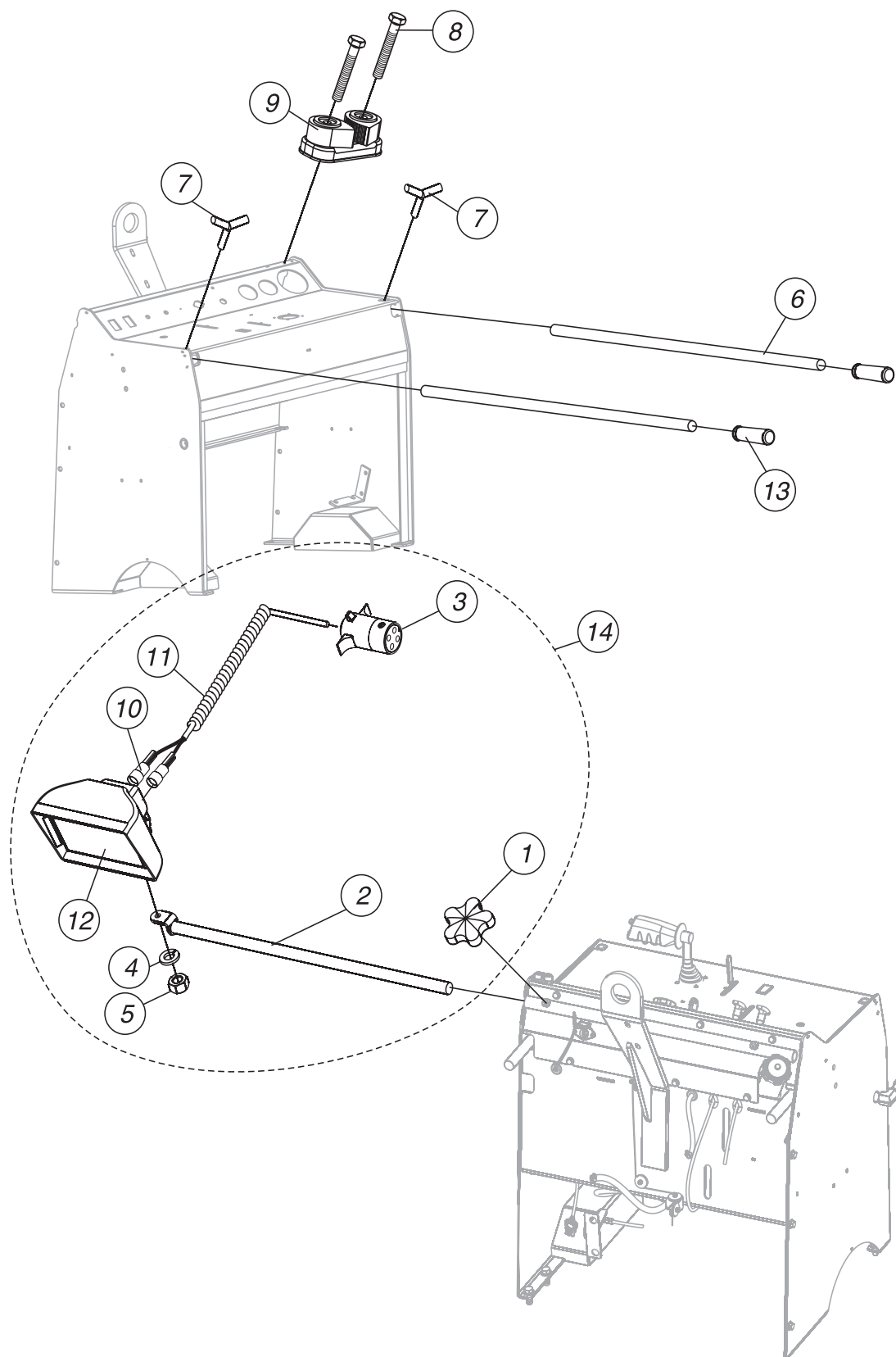
SP-6057 CONCRETE SAW — LOWER BELT GUARD ASSY.

LOWER BELT GUARD ASSY.

<u>NO.</u>	<u>PART NO.</u>	<u>PART NAME</u>	<u>QTY.</u>	<u>REMARKS</u>
1*	202001	GUARD W/A, LOWER BELT	1	
2*	583091	STRAP, LOWER BELT GUARD	1	
3*	583092	WASHER, LOWER BELT PROTECTOR	1	
4*	933244	WASHER, FLAT SAE 1/2 GRD 9 YZ	4	
5*	3214	SCREW, HHC 1/2-13 X 1 1/4	4	
6	35198	GUARD, LOWER BELT PROTECTOR KIT, 6000	1	INCLUDES ITEMS W/*

SP-6057 CONCRETE SAW — HANDLE AND LIGHT ASSY.

HANDLE AND LIGHT ASSY.



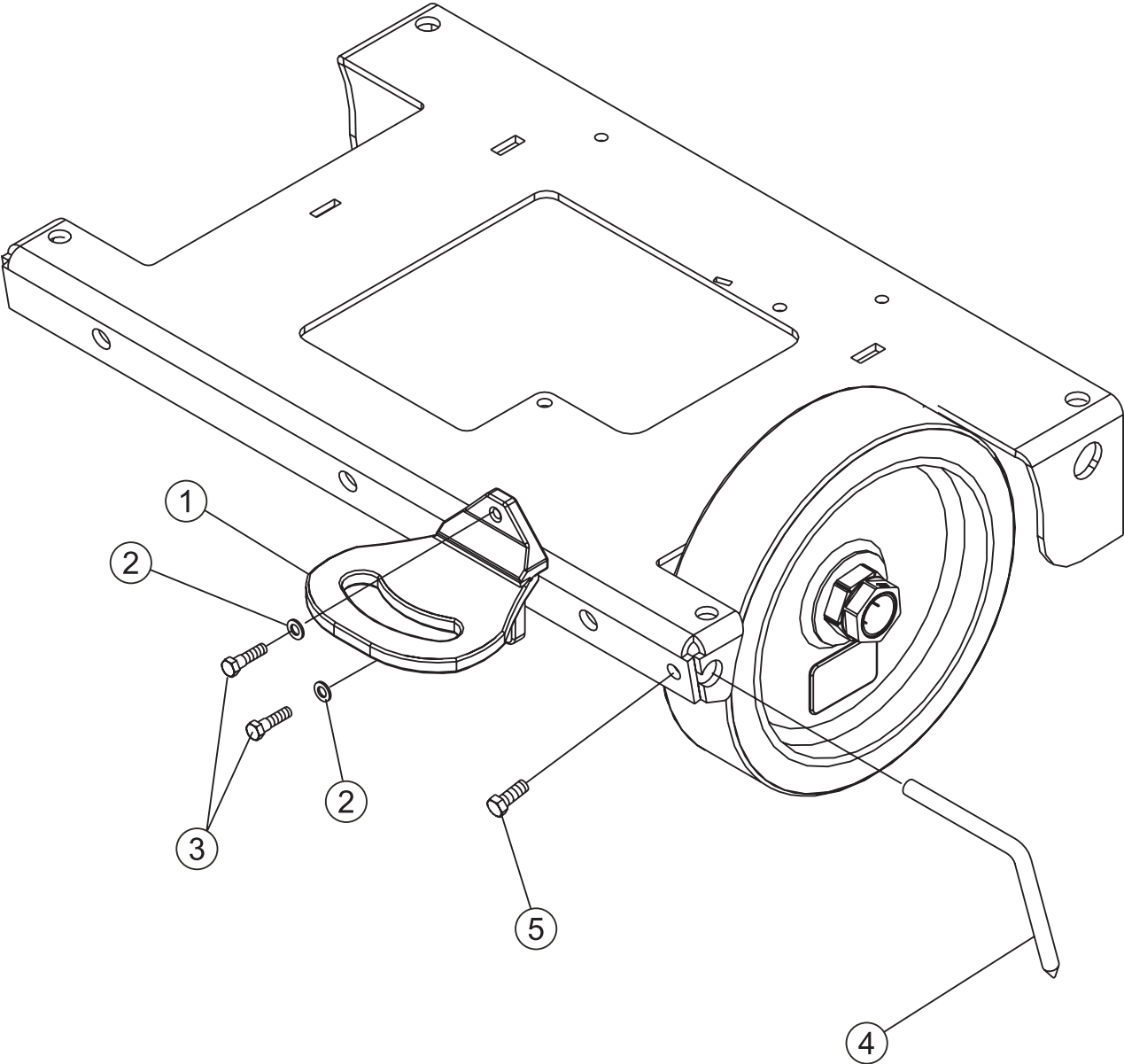
SP-6057 CONCRETE SAW — HANDLE AND LIGHT ASSY.

HANDLE AND LIGHT ASSY.

<u>NO.</u>	<u>PART NO.</u>	<u>PART NAME</u>	<u>QTY.</u>	<u>REMARKS</u>
1*	15503	KNOB, COMFORT GRIP STAR, 3/8 - 16 X 1	1	
2*	120206	LIGHT BAR W/A, CONCRETE SAW	1	
3*	405001	CONNECTOR, PLUG, 4 PIN FEMALE	1	
4*	TBD	WASHER, LOCK	1	
5*	TBD	NUT	1	
6	560023-1	HANDLE BAR, CONCRETE SAW	2	
7	560024	KNOB W/A, HANDLEBAR	2	
8	923199	SCREW, SHC 8-32 X 1-1/4	2	
9	574002	CAM CLEAT	1	
10*	35359	TERMINAL, FEM-SMALL 16-18 GA	2	
11*	405002	CORD, LIGHT-EXTENDABLE	1	
12*	2532	LIGHT ASSY., RECTANGULAR COMP.	1	
13	560017	GRIP HANDLE BAR	2	
14	M18004	LIGHT KIT	1	INCLUDES ITEMS W/*

SP-6057 CONCRETE SAW — REAR POINTER AND FOOT REST ASSY.

REAR POINTER AND FOOT REST ASSY.



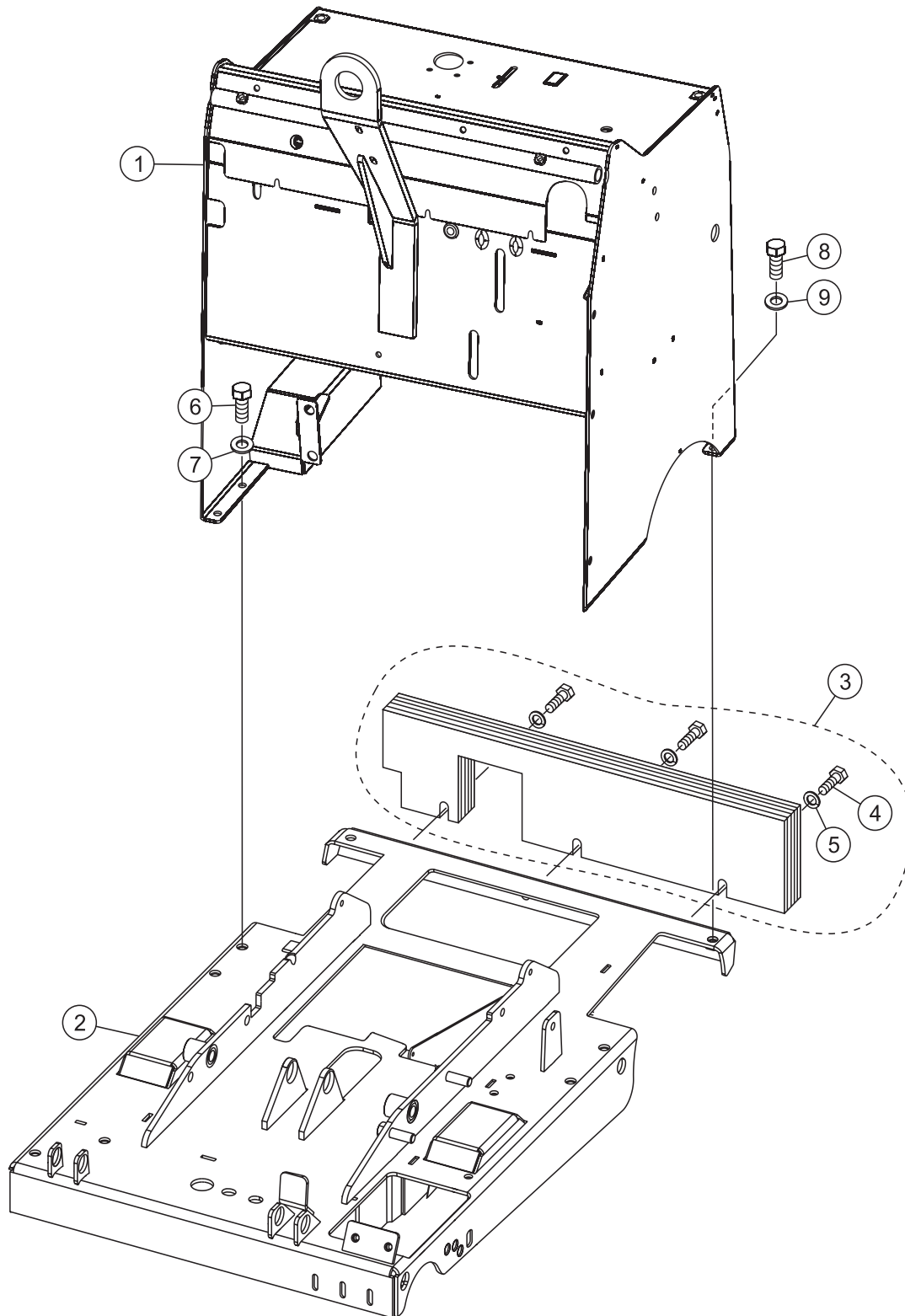
SP-6057 CONCRETE SAW — REAR POINTER AND FOOT REST ASSY.

REAR POINTER AND FOOT REST ASSY.

<u>NO.</u>	<u>PART NO.</u>	<u>PART NAME</u>	<u>QTY.</u>	<u>REMARKS</u>
1	560029	FOOT REST	1	
2	933241	WASHER, FLAT 5/16" YZ9	2	
3	0202	SCREW, HHC 5/16"-18 X 1 ZINC	2	
4	110020	REAR POINTER	1	
5	0205	HCS, 3/8-16 X1	1	

SP-6057 CONCRETE SAW — CONSOLE MOUNTING ASSY.

CONSOLE MOUNTING ASSY.



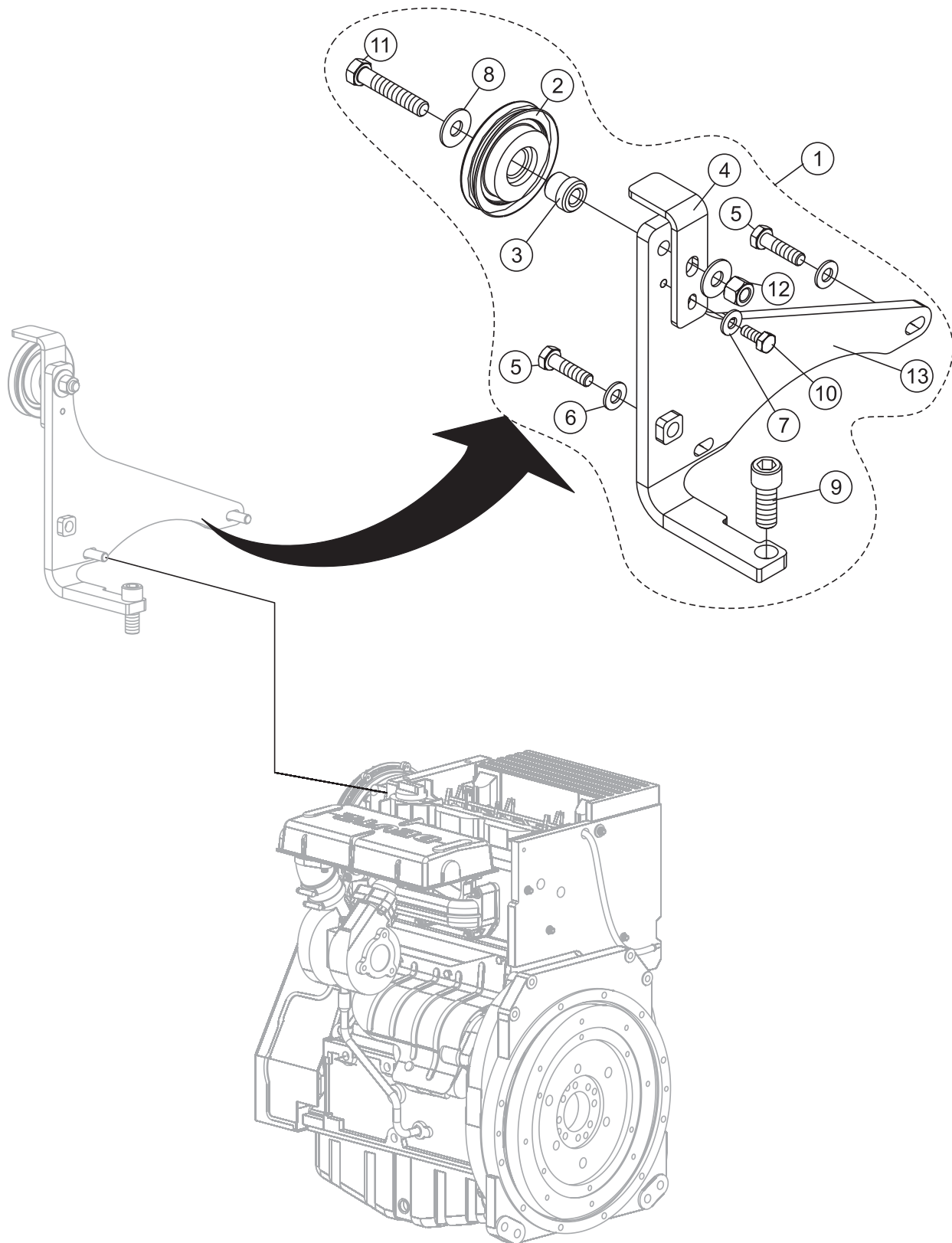
SP-6057 CONCRETE SAW — CONSOLE MOUNTING ASSY.

CONSOLE MOUNTING ASSY.

<u>NO.</u>	<u>PART NO.</u>	<u>PART NAME</u>	<u>QTY.</u>	<u>REMARKS</u>
1	102040	CONSOLE, 6057 CONCRETE SAW	1	
2	100025	FRAME PLATFORM ASSY, 6057 CONCRETE SAW	1	
3	M18011	WEIGHT KIT, 6000-6400 SERIES	1	INCLUDES ITEMS W/*
4*	EM963105	SCREW, HHC 1/2-13 X 2	3	
4*	2549	SCREW, HHC 1/2-13 X 3	3	
5*	933244	WASHER, FLAT SAE 1/2 GRD 9 YZ	3	
6	3214	SCREW, HHC 1/2-13 X 1 1/4	4	
7	933244	WASHER, FLAT SAE 1/2 GRD 9 YZ	4	
8	16530	SCREW, HHC 7/16-14 X 1	2	
9	933243	WASHER, FLAT SAE 7/16 GRD 9 YZ	2	

SP-6057 CONCRETE SAW — CABLE MOUNT ASSY.

CABLE MOUNT ASSY.



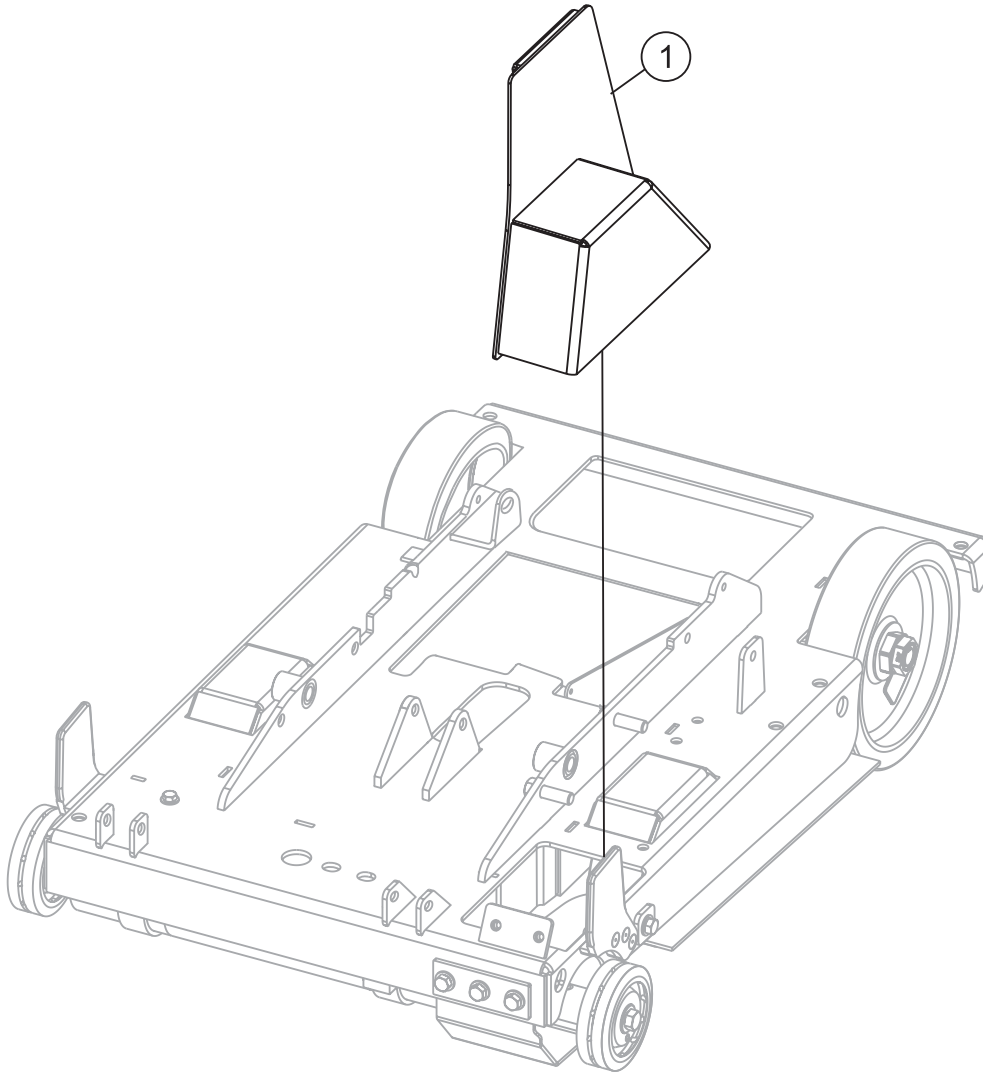
SP-6057 CONCRETE SAW — CABLE MOUNT ASSY.

CABLE MOUNT ASSY.

<u>NO.</u>	<u>PART NO.</u>	<u>PART NAME</u>	<u>QTY.</u>	<u>REMARKS</u>
1	35203	CABLE MOUNT GROUP,6000-6400	1	
2	540039	PULLY, POINTER ROPE	1	
3	544002	SHOULDER, ADAPTER	1	
4	125043-3	RETAINER, SAW POINTER CABLE	1	
5	940674	SCREW, HHC M8-1.25 X 30MM GRADE 10.9	2	
6	933241	WASHER, FLAT SAE 5/16 GRD 9 YZ	2	
7	0948	WASHER, FLAT SAE 1/4	1	
8	10136	WASHER, FLAT SAE 3/8	2	
9	939654	SCREW, SHC M12-1.75x30MM 12.9 NP	1	
10	4514	SCREW, HHC 1/4-20 X 5/8 GR 5	1	
11	1665	SCREW, HHC 3/8-16 X 2	1	
12	10133	NUT, NYLOC 3/8-16	1	
13	125043	MOUNT W/A CABLE GUIDE	1	

SP-6057 SAW — OPTIONAL FLANGE GUARD ASSY. (RIGHT-SIDE)

OPTIONAL FLANGE GUARD ASSY. (RIGHT-SIDE)



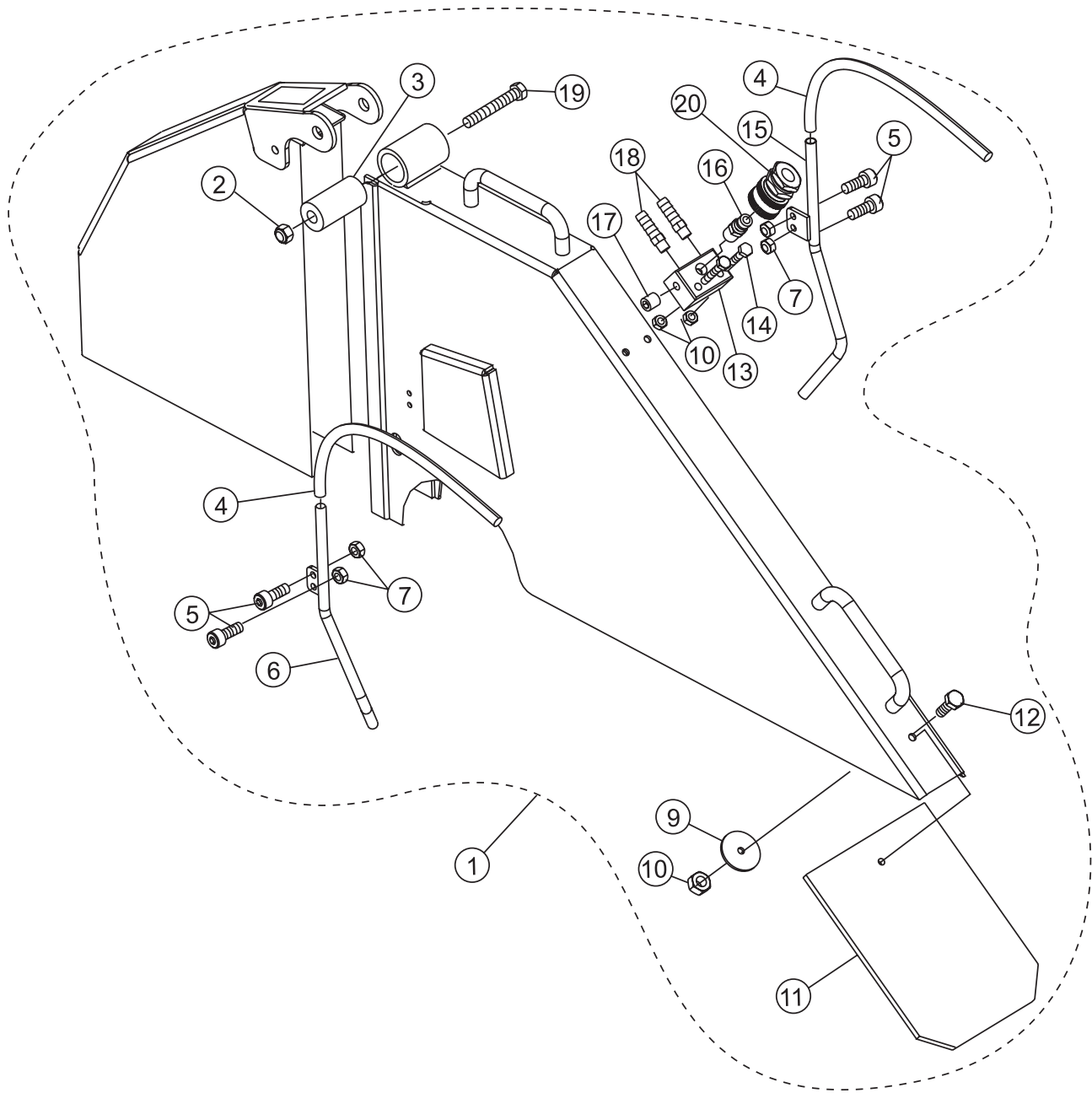
SP-6057 SAW — OPTIONAL FLANGE GUARD ASSY. (RIGHT-SIDE)

OPTIONAL FLANGE GUARD ASSY. (RIGHT-SIDE)

<u>NO.</u>	<u>PART NO.</u>	<u>PART NAME</u>	<u>QTY.</u>	<u>REMARKS</u>
1	35030	OPTIONAL FLANGE GUARD, RIGHT-SIDE	1	

SP-6057 CONCRETE SAW — BLADE GUARD ASSY.

BLADE GUARD ASSY.



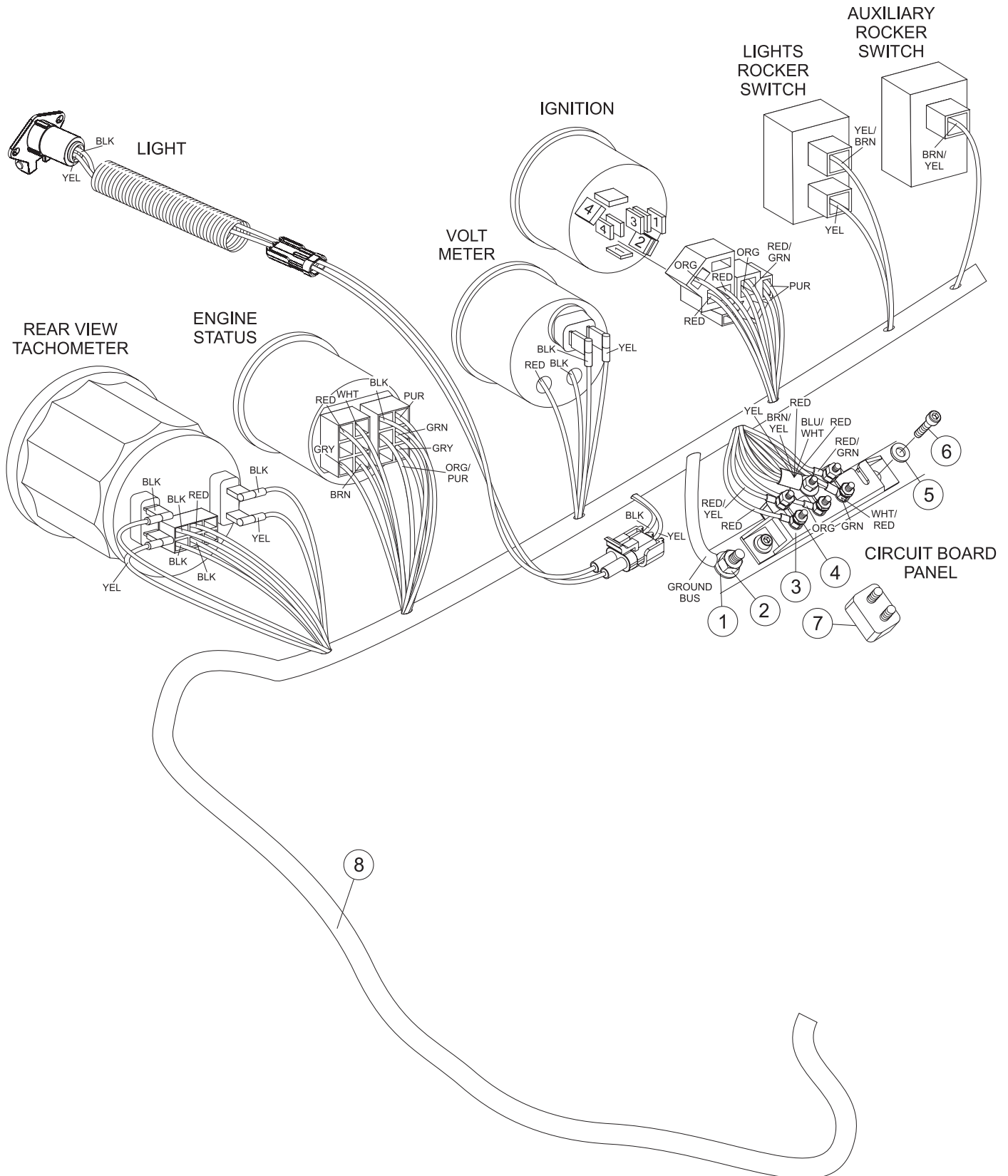
SP-6057 CONCRETE SAW — BLADE GUARD ASSY.

BLADE GUARD ASSY.

<u>NO</u>	<u>PART NO</u>	<u>PART NAME</u>	<u>QTY.</u>	<u>REMARK</u>
1	25916	BLADE GUARD 16-INCH	1	
1	25917	BLADE GUARD 20-INCH	1	
1	25918	BLADE GUARD 26-INCH	1	
1	25919	BLADE GUARD 30-INCH	1	
1	25920	BLADE GUARD 36-INCH	1	
2	10176	NUT, NYLOCK 1/2-13	1	
3	582040	BUSHING, BLADE GUARD	1	
3	582039	BUSHING, BLADE GUARD	2	30 AND 36-INCH ONLY
4	362000	HOSE, WATER #6LP	2	
4	362005	HOSE, WATER #6LP	2	
4	362006	HOSE, WATER #6LP	2	
4	362007	HOSE, WATER #6LP	2	
4	362008	HOSE, WATER #6LP	2	
5	923144	SCREW, SHC 10-24X1/2	4	
6	362003	TUBE, WATER, LH SIDE W/A	1	
7	1618	NUT, NYLOCK 10-24	4	
9	10930	WASHER, FENDER 1/4" X1-1/4" ZINC	1	
10	10024	NUT, NYLOCK 1/4"-20	3	
11	200019	FLAP, MUD BLADE GUARD	1	
12	0131 A	SCREW, HHC 1/4"-20 X 3/4"	1	
13	445002	WATER MANIFOLD	1	
13	445003	WATER MANIFOLD	1	30 AND 36-INCH ONLY
14	26250	SCREW, HHC 1/4"-20 X1-3/4"	2	
15	362002	TUBE, WATER, RH SIDE W/A	1	
16	320010	FITTING, QD MALE SNAPTITE PHN4 1/4" MP	1	
17	2113	FITTING, PLUG 1/8" MP HEX SKT HD	1	
18	370456	FITTING, STR 6BARB-1/8" MP	2	
19	06503-026	SCREW, HHC 1/2-13 X3-1/4"	1	
19	06503-030	SCREW, HHC 1/2-13 X3-3/4"	1	30 AND 36-INCH ONLY
20	320009	FITTING, QD FEM SNAPTITE PHC4-4F	1	

SP-6057 CONCRETE SAW—WIRING HARNESS/CIRCUIT BREAKER ASSY.

WIRING HARNESS/CIRCUIT BREAKER ASSY.



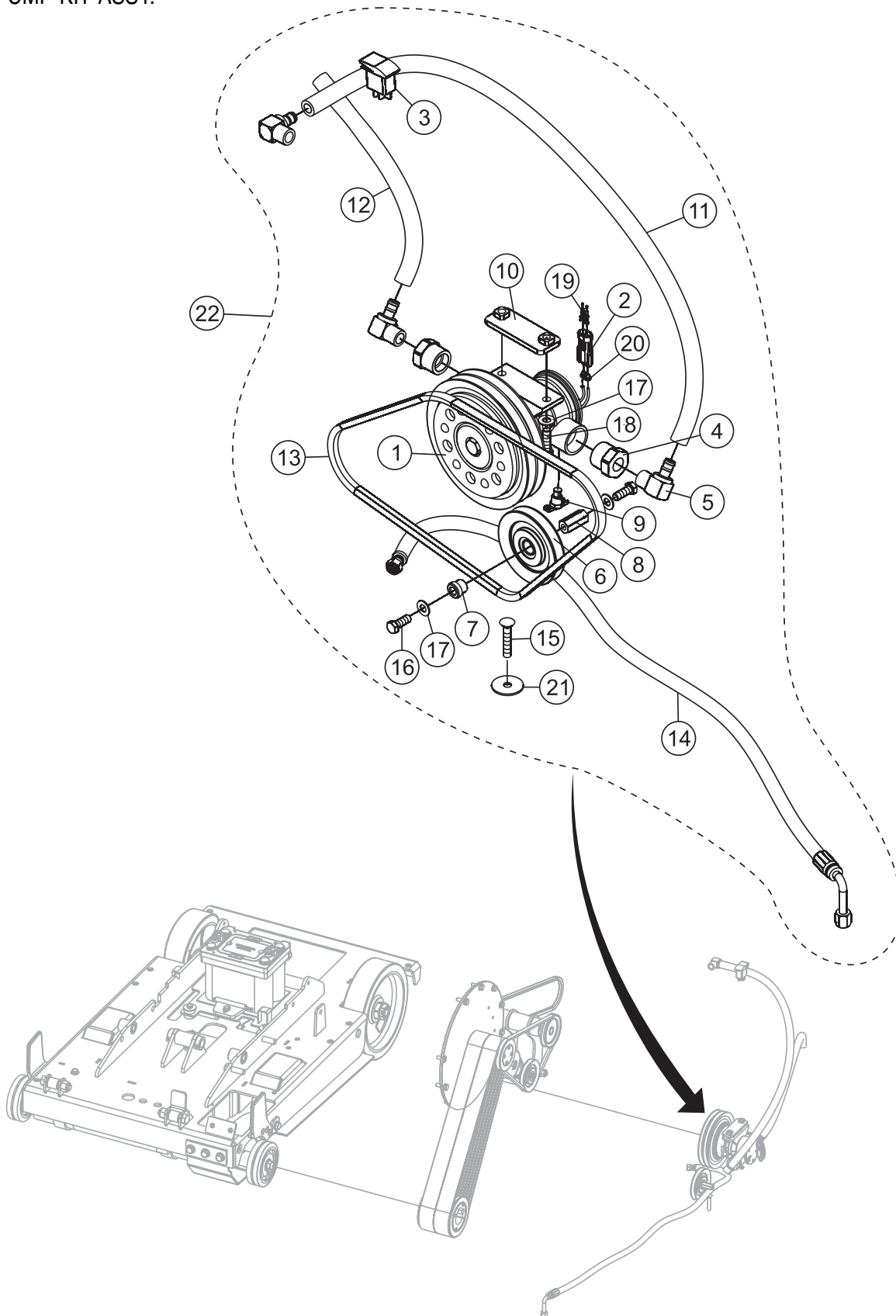
SP-6057 CONCRETE SAW—WIRING HARNESS/CIRCUIT BREAKER ASSY.

WIRING HARNESS/CIRCUIT BREAKER ASSY.

<u>NO.</u>	<u>PART NO.</u>	<u>PART NAME</u>	<u>QTY.</u>	<u>REMARKS</u>
1	933242	WASHER	1	
2	10133	NUT, NYLOC 3/8-16	1	
3	406012	MOUNTING BAR, CIRCUIT BREAKER	1	
4	25935	NUT, HEX 10-32 W/STAR WASHER	3	
5	933076	WASHER, FLAT SAE #12 ZINC	2	
6	923201	SCREW, SHC 1/4-20 X 1/2	2	
7	406019	CIRCUIT BREAKER, 10 AMP	3	

SP-6057 CONCRETE SAW — WATER PUMP KIT ASSY.

WATER PUMP KIT ASSY.



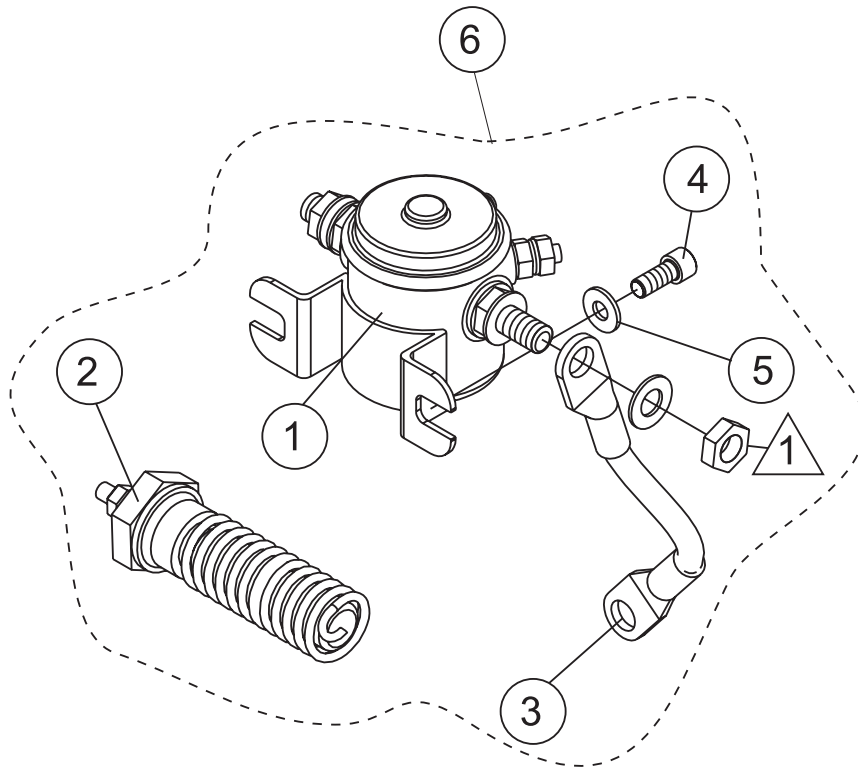
SP-6057 CONCRETE SAW — WATER PUMP KIT ASSY.

WATER PUMP KIT ASSY.

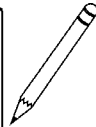
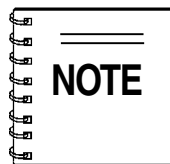
<u>NO.</u>	<u>PART NO.</u>	<u>PART NAME</u>	<u>QTY.</u>	<u>REMARKS</u>
1*	342000	PUMP, WATER JABSCO	1	
2*	12176	CONNECTOR, WEATHERPACK 2 MALE PIN	1	
3*	406000	SWITCH, ROCKER, CH# M-58031-01	1	
4*	366057	FITTING, BRASS 1/2FP-1MP	2	
5*	25931	FITTING, 90 8BARB - 1/2 MP (4390-8-8)	3	
6*	540003	PULLEY, W/BRG. 4" A SECTION	1	
7*	544002	SHOULDER, ADAPTER	1	
8*	25948	NUT, COUPLING 3/8 - 16 X 1.4	1	
9*	369970	FITTING, PETCOCK RAD DRAIN 1/4MP	1	
10*	120089	PLATE, WATER PUMP BACKING, W/A	1	
11*	35080	HOSE, #8LP-40"	1	
12*	35081	HOSE, #8LP-14.75	1	
13*	521008	V BELT, AX-46	1	
14*	35005	HOSE ASSY, 42.5" #6LP W/ 370674/370922	1	
15*	16693	BOLT, CARRAGE 3/8-16 X 2	1	
16*	0205	SCREW, HHC 3/8-16 X 1.0	2	
17*	933242	WASHER, FLAT SAE 3/8 GRD 9 YZ	4	
18*	1023	SCREW, HHC 3/8-16 X 1 1/4 GR 5	2	
19*	12179	TERMINAL, WEATHERPACK MALE 14-16 GA	2	
20*	12171	SEAL, WEATHERPACK 16-18 GA, GREEN	2	
21*	13832	WASHER, SNUBBING	1	
22	M18042	WATER PUMP KIT, 6057	1	INCLUDES ITEMS W/*

SP-6057 CONCRETE SAW — GLOW PLUG KIT ASSY.

GLOW PLUG KIT ASSY.



 1 Included with Solenoid

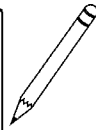
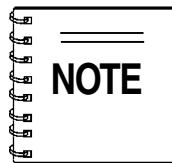


Tier 1 Engine Only

SP-6057 CONCRETE SAW — GLOW PLUG KIT ASSY.

GLOW PLUG KIT ASSY.

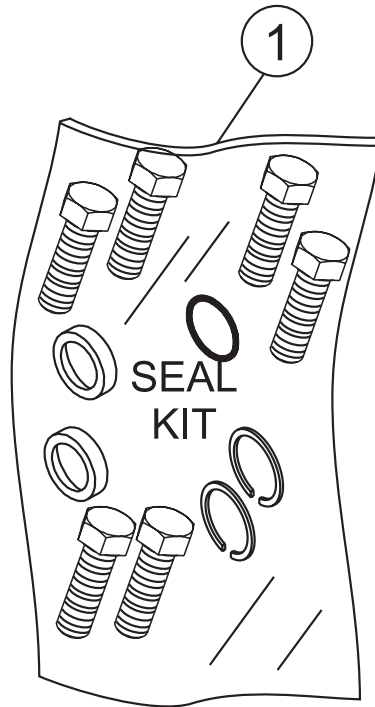
<u>NO.</u>	<u>PART NO.</u>	<u>PART NAME</u>	<u>QTY.</u>	<u>REMARKS</u>
1*	400000	SOLENOID, 12VDC	1	
2*	409000	GLOW PLUG	1	
3*	35249	CABLE ASM, BATTERY	1	
4*	25992	SCREW, SHC 12-24 X 1/2	2	
5*	2203	WASHER	2	
6	M18007	GLOW PLUG KIT	1INCLUDES ITEMS W/*



Tier 1 Engine Only

SP-6057 CONCRETE SAW — BLADESHAFT SEAL KIT ASSY.

BLADESHAFT SEAL KIT ASSY.



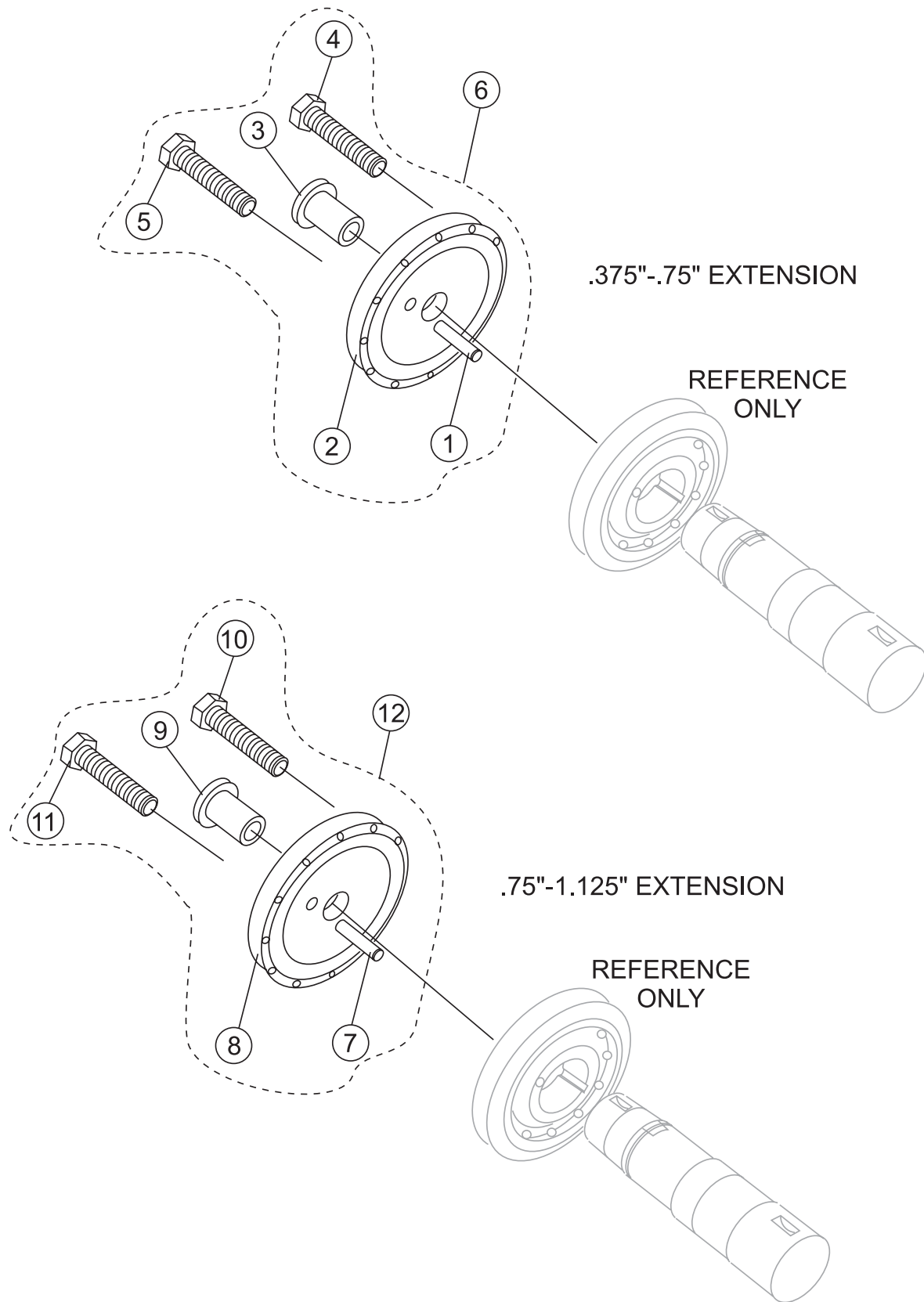
SP-6057 CONCRETE SAW — BLADESHAFT SEAL KIT ASSY.

BLADESHAFT SEAL KIT ASSY.

<u>NO</u>	<u>PART NO</u>	<u>PART NAME</u>	<u>QTY.</u>	<u>REMARKS</u>
1*	576006	SNAP RING, SH-196	2	
2*	925382	SCREW, SHS 1/4-20 X 1/2	6	
3*	480006	SEAL, OIL CR-28655	1	
4*	480007	SEAL, OIL CR-19599	2	
5*	578135	O-RING, SIZE 135, VITON	2	
6	TBD	KIT, SEAL	1	INCLUDES ITEMS W/*

SP-6057 CONCRETE SAW — BUSHING EXTENSION KITS ASSEMBLY

BUSHING EXTENSION KITS ASSEMBLY



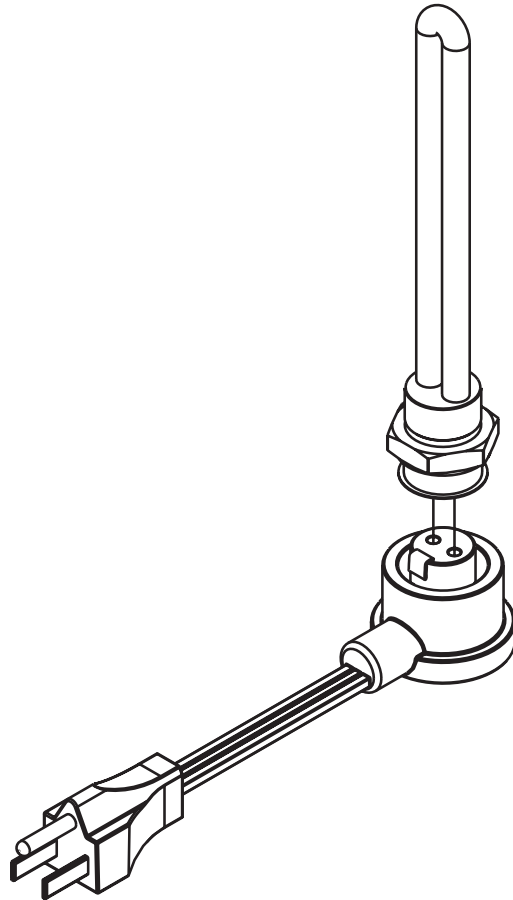
SP-6057 CONCRETE SAW — BUSHING EXTENSION KITS ASSEMBLY

BUSHING EXTENSION KITS ASSEMBLY

<u>NO.</u>	<u>PART NO.</u>	<u>PART NAME</u>	<u>QTY.</u>	<u>REMARKS</u>
1*	926949	DOWEL PIN, 3/8" X 2-1/4	1	
2*	180003	COLLAR, OUTER	1	
3*	582032	QD BUSHING, 3/8" - 3/4"	1	
4*	90123445	5/8"-11 X 4 LH HEX BOLT	1	
5*	915319	5/8"-11 X 4 RH HEX BOLT	1	
6	18501	BUSHING EXTENSION KIT (.375" — .75")	1	INCLUDES ITEMS W/*
7#	926950	DOWEL PIN, 3/8" X 2-1/2	1	
8#	180003	COLLAR, OUTER	1	
9#	582033	QD BUSHING, 3/4" - 1-1/8	1	
10#	90123445	5/8"-11 X 4 LH HEX BOLT	1	
11#	915319	5/8"-11 X 4 RH HEX BOLT	1	
12	18502	BUSHING EXTENSION KIT (.75" — 1.125")	1	INCLUDES ITEMS W/#

SP-6057 CONCRETE SAW — ENGINE BLOCK HEATER ASSY. (OPTION)

ENGINE BLOCK HEATER ASSY. (OPTION)



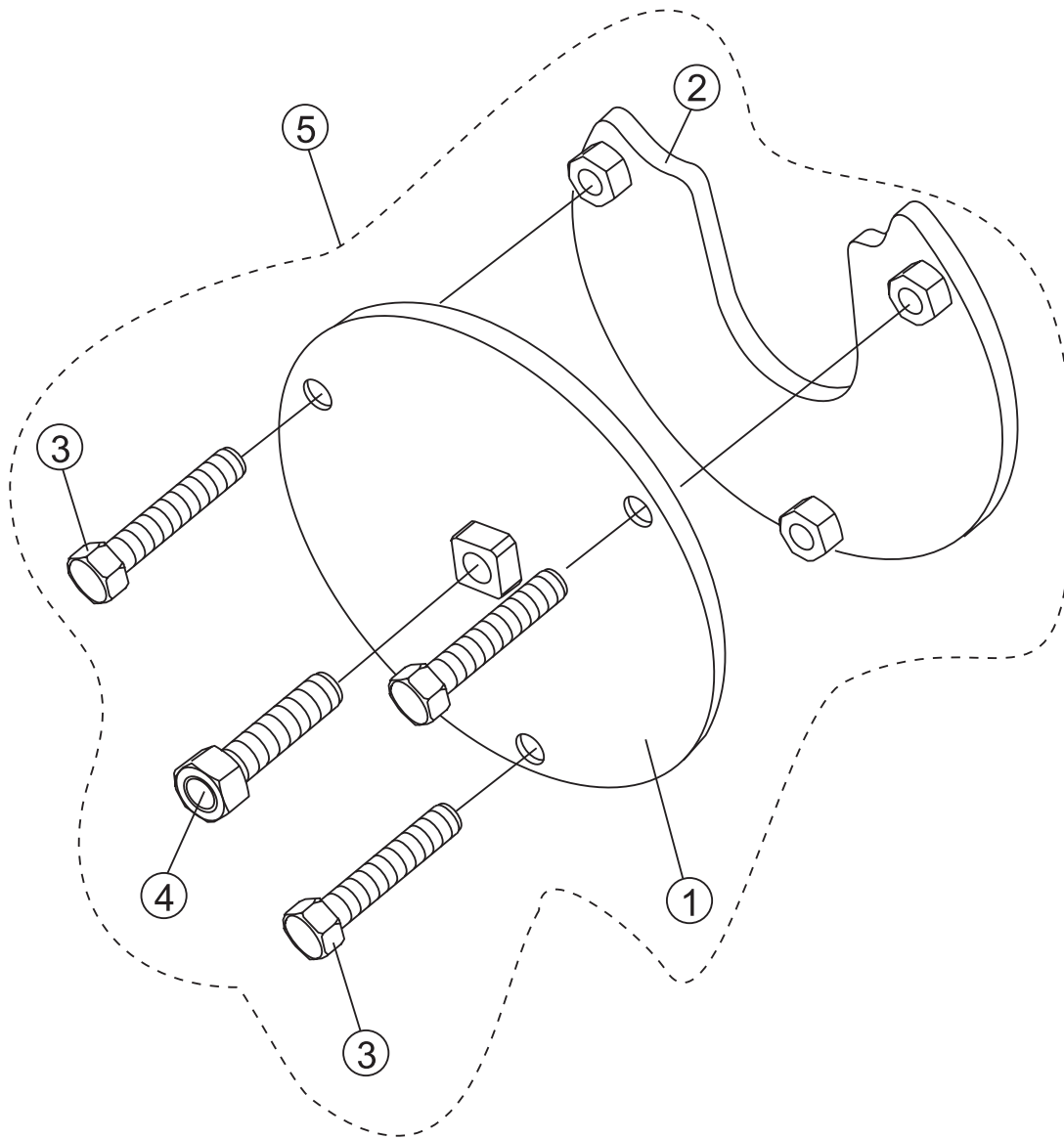
SP-6057 CONCRETE SAW — ENGINE BLOCK HEATER ASSY. (OPTION)

ENGINE BLOCK HEATER ASSY. (OPTION)

<u>NO.</u>	<u>PART NO.</u>	<u>PART NAME</u>	<u>QTY.</u>	<u>REMARKS</u>
1	M18008	HEATER, ENGINE BLOCK, DEUTZ	1	

SP-6057 CONCRETE SAW — COLLAR/FLANGE PULLER ASSY. (OPTION)

COLLAR/FLANGE PULLER (OPTION)



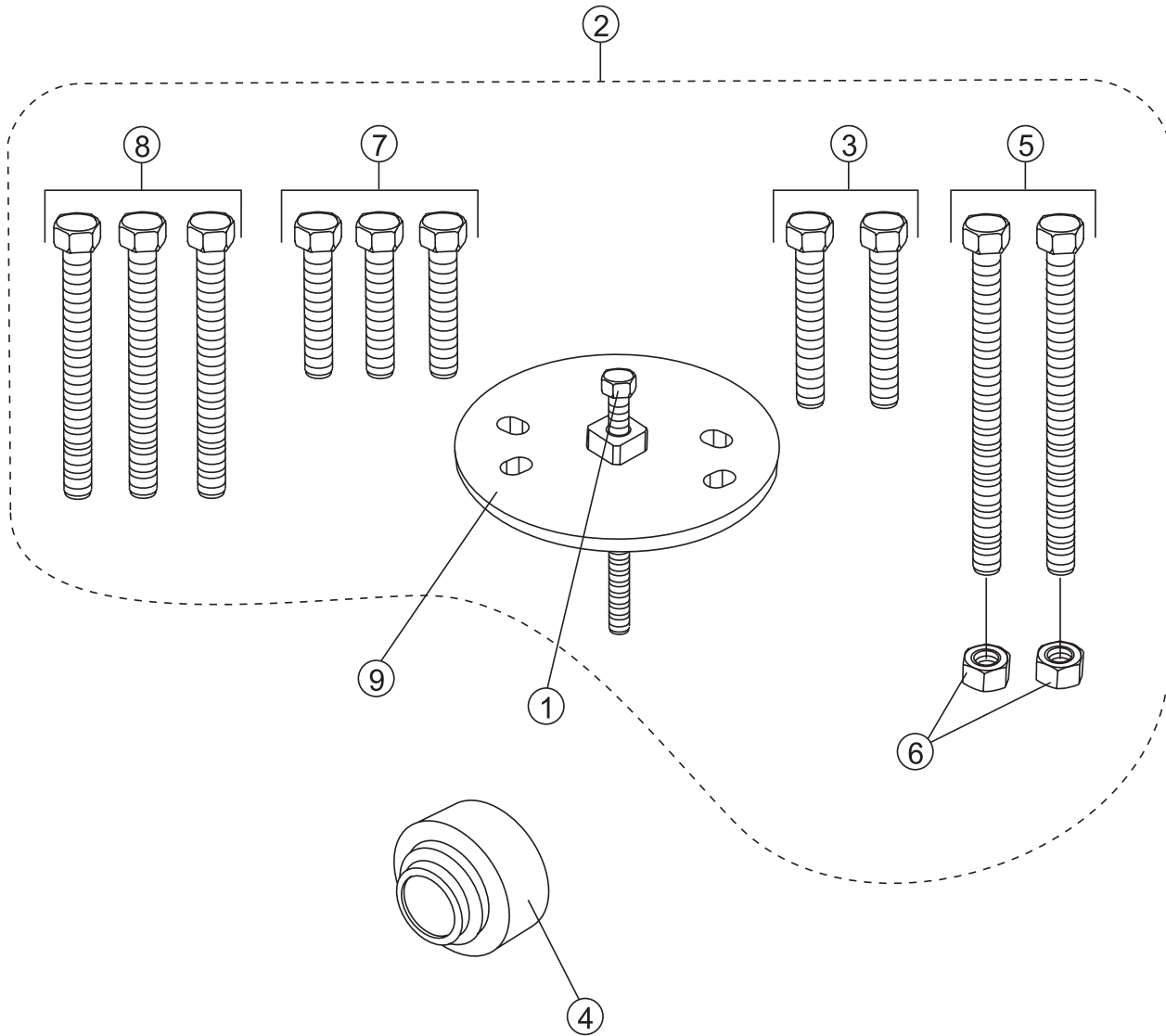
SP-6057 CONCRETE SAW — COLLAR/FLANGE PULLER ASSY. (OPTION)

COLLAR/FLANGE PULLER (OPTION)

<u>NO.</u>	<u>PART NO.</u>	<u>PART NAME</u>	<u>QTY.</u>	<u>REMARKS</u>
1*	584037	OUTER PULLER	1	
2*	584038	PLATE, PULLER	1	
3*	2549	SCREW, HHC 1/2"-13 X3	2	
4*	25138	SCREW, HHC 5/8"-11 X5 TAP	1	
5	18503	COLLAR/FLANGE PULLER ASSY. ...	1	INCLUDES ITEMS W/*

SP-6057 CONCRETE SAW — SEAL SLEEVE PULLER ASSY. (OPTION)

COLLAR/FLANGE PULLER (OPTION)



SP-6057 CONCRETE SAW — SEAL SLEEVE PULLER ASSY. (OPTION)

COLLAR/FLANGE PULLER (OPTION)

<u>NO.</u>	<u>PART NO.</u>	<u>PART NAME</u>	<u>QTY.</u>	<u>REMARKS</u>
1	35163	SCREW, HHC 3/8 – 16 X 4 FULL THREAD	1	
2	M18505	SEAL SLEEVE & THRUST WASHER PULLER ASSY.	1	INCLUDES ITEMS W/*
3*	35162	SCREW, 10 - 24 X 6 FULL THREAD	2	
4	584049	SEAL INSTALLATION TOOL	1	
5*	35161	SCREW, 10 - 24 X 12 FULL THREAD	2	
6*	937980	NUT, WELD 10 - 24	2	
7*	35164	SCREW, HHC 1/4 – 20 X 5	3	
8*	35165	SCREW, HHC 1/4 – 20 X 10	3	
9	584050	TOOL, SEAL REMOVAL	1	

PAYMENT TERMS

Terms of payment for parts are net 30 days.

FREIGHT POLICY

All parts orders will be shipped collect or prepaid with the charges added to the invoice. All shipments are F.O.B. point of origin. Multiquip's responsibility ceases when a signed manifest has been obtained from the carrier, and any claim for shortage or damage must be settled between the consignee and the carrier.

MINIMUM ORDER

The minimum charge for orders from Multiquip is \$15.00 net. Customers will be asked for instructions regarding handling of orders not meeting this requirement.

RETURNED GOODS POLICY

Return shipments will be accepted and credit will be allowed, subject to the following provisions:

1. A Returned Material Authorization must be approved by Multiquip prior to shipment.
2. To obtain a Return Material Authorization, a list must be provided to Multiquip Parts Sales that defines item numbers, quantities, and descriptions of the items to be returned.
 - a. The parts numbers and descriptions must match the current parts price list.
 - b. The list must be typed or computer generated.
 - c. The list must state the reason(s) for the return.
 - d. The list must reference the sales order(s) or invoice(s) under which the items were originally purchased.
 - e. The list must include the name and phone number of the person requesting the RMA.
3. A copy of the Return Material Authorization must accompany the return shipment.
4. Freight is at the sender's expense. All parts must be returned freight prepaid to Multiquip's designated receiving point.

5. Parts must be in new and resalable condition, in the original Multiquip package (if any), and with Multiquip part numbers clearly marked.
6. The following items are not returnable:
 - a. Obsolete parts. (If an item is in the price book and shows as being replaced by another item, it is obsolete.)
 - b. Any parts with a limited shelf life (such as gaskets, seals, "O" rings, and other rubber parts) that were purchased more than six months prior to the return date.
 - c. Any line item with an extended dealer net price of less than \$5.00.
 - d. Special order items.
 - e. Electrical components.
 - f. Paint, chemicals, and lubricants.
 - g. Decals and paper products.
 - h. Items purchased in kits.
7. The sender will be notified of any material received that is not acceptable.
8. Such material will be held for five working days from notification, pending instructions. If a reply is not received within five days, the material will be returned to the sender at his expense.
9. Credit on returned parts will be issued at dealer net price at time of the original purchase, less a 15% restocking charge.
10. In cases where an item is accepted, for which the original purchase document can not be determined, the price will be based on the list price that was effective twelve months prior to the RMA date.
11. Credit issued will be applied to future purchases only.

PRICING AND REBATES

Prices are subject to change without prior notice. Price changes are effective on a specific date and all orders received on or after that date will be billed at the revised price. Rebates for price declines and added charges for price increases will not be made for stock on hand at the time of any price change.

Multiquip reserves the right to quote and sell direct to Government agencies, and to Original Equipment Manufacturer accounts who use our products as integral parts of their own products.

SPECIAL EXPEDITING SERVICE

A \$35.00 surcharge will be added to the invoice for special handling including bus shipments, insured parcel post or in cases where Multiquip must personally deliver the parts to the carrier.

LIMITATIONS OF SELLER'S LIABILITY

Multiquip shall not be liable hereunder for damages in excess of the purchase price of the item with respect to which damages are claimed, and in no event shall Multiquip be liable for loss of profit or good will or for any other special, consequential or incidental damages.

LIMITATION OF WARRANTIES

No warranties, express or implied, are made in connection with the sale of parts or trade accessories nor as to any engine not manufactured by Multiquip. Such warranties made in connection with the sale of new, complete units are made exclusively by a statement of warranty packaged with such units, and Multiquip neither assumes nor authorizes any person to assume for it any other obligation or liability whatever in connection with the sale of its products. Apart from such written statement of warranty, there are no warranties, express, implied or statutory, which extend beyond the description of the products on the face hereof.

PARTS MANUAL

HERE'S HOW TO GET HELP

PLEASE HAVE THE MODEL AND SERIAL
NUMBER *ON-HAND* WHEN CALLING

UNITED STATES

Multiquip Corporate Office

18910 Wilmington Ave. Tel: (800) 421-1244
Carson, CA 90746 Fax (800) 537-3927
Contact: mq@multiquip.com

Mayco Parts

800-306-2926 Fax: 800-672-7877
310-537-3700 Fax: 310-637-3284

Service Department

800-421-1244 Fax: 310-537-4259
310-537-3700

MQ Parts Department

800-427-1244 Fax: 800-672-7877
310-537-3700 Fax: 310-637-3284

Warranty Department

800-421-1244, Ext. 279 Fax: 310-537-1173
310-537-3700, Ext. 279

Technical Assistance

800-478-1244 Fax: 310-631-5032

MEXICO

MQ Cipsa

Carr. Fed. Mexico-Puebla KM 126.5 Tel: (52) 222-225-9900
Momoxpan, Cholula, Puebla 72760 Mexico Fax: (52) 222-285-0420
Contact: pmastretta@cipsa.com.mx

CANADA

Multiquip

4110 Industriel Boul. Tel: (450) 625-2244
Laval, Quebec, Canada H7L 6V3 Fax: (450) 625-8664
Contact: jmartin@multiquip.com

UNITED KINGDOM

Multiquip (UK) Limited Head Office

Hanover Mill, Fitzroy Street, Tel: 0161 339 2223
Ashton-under-Lyne, Fax: 0161 339 3226
Lancashire OL7 0TL
Contact: sales@multiquip.co.uk

BRAZIL

Multiquip

Av. Evandro Lins e Silva, 840 - grupo 505 Tel: 011-55-21-3433-9055
Barra de Tijuca - Rio de Janeiro Fax: 011-55-21-3433-9055
Contact: cnavarro@multiquip.com.br, srentes@multiquip.com.br

© COPYRIGHT 2005, MULTIQUIP INC.

Multiquip Inc, the MQ logo and the MQ logo are registered trademarks of Multiquip Inc. and may not be used, reproduced, or altered without written permission. All other trademarks are the property of their respective owners and used with permission.

This manual MUST accompany the equipment at all times. This manual is considered a permanent part of the equipment and should remain with the unit if resold.

The information and specifications included in this publication were in effect at the time of approval for printing. Illustrations are based on the MQ SP4 Saw. Illustrations, descriptions, references and technical data contained in this manual are for guidance only and may not be considered as binding. Multiquip Inc. reserves the right to discontinue or change specifications, design or the information published in this publication at any time without notice and without incurring any obligations.

Your Local Dealer is:



Free Manuals Download Website

<http://myh66.com>

<http://usermanuals.us>

<http://www.somanuals.com>

<http://www.4manuals.cc>

<http://www.manual-lib.com>

<http://www.404manual.com>

<http://www.luxmanual.com>

<http://aubethermostatmanual.com>

Golf course search by state

<http://golfingnear.com>

Email search by domain

<http://emailbydomain.com>

Auto manuals search

<http://auto.somanuals.com>

TV manuals search

<http://tv.somanuals.com>