

# PARTS MANUAL



## **MODEL WRS5200 RIDE-ON ROLLER SCREED (VANGUARD DM950 DIESEL ENGINE)**

Revision #1 (11/12/10)

To find the latest revision of this  
publication, visit our website at:  
[www.multiquip.com](http://www.multiquip.com)



**THIS MANUAL MUST ACCOMPANY THE EQUIPMENT AT ALL TIMES.**

**PN: 36861**

# TABLE OF CONTENTS

## Wrs5200 Ride-On Roller Screenshot

Table Of Contents .....	2
Parts Ordering Procedures.....	3
Explanation Of Code In Remarks Column .....	4
Suggested Spare Parts .....	5
Nameplate & Decals (Engine & Operator Ends) ..	6-7
Nameplate & Decals (Rider Guard & Frames) .....	8-9
Nameplate & Decals (Power Unit) .....	10-11
Operator Seat Assembly.....	12-13
Throttle Assembly.....	14-15
Stack Valve Assembly.....	16-17
Speed Control Valve Assembly.....	18-19
Solenoid Valve Assembly.....	20-21
Drive Tube Motor Assembly.....	22-23
Control Box Assembly.....	24-25
Power Unit Frame Assembly.....	26-27
Lift Bale Assembly.....	28-29
Lights Assembly.....	30-31
Fuel Assembly.....	32-33
Battery Assembly.....	34-35
Hydraulic Tank / Cooler Assembly.....	36-37
Hydraulic Pump Assembly.....	38-39
Control Valve Assembly.....	40-41
Loop Flushing Valve Assembly.....	42-43
Strike Tube Motor Assembly.....	44-45
Engine Assembly.....	46-47
Engine Controller / Power Cable Assembly.....	48-49
Pressure Washer Assembly.....	50-51
5' Frame Assembly. (Operator End) .....	52-53
5' Frame Assembly. (Engine End) .....	54-55
Caster Assembly.....	56-57
Frame Section Assemblies .....	58-59
Tarp Assemblies .....	60-61

WRS1400LP Assembly.....	62-63
WRS1600LP Assembly.....	64-65
WRS1800LP Assembly.....	66-67
WRS2200LP Assembly.....	68-69
WRS2600LP Assembly.....	70-71
WRS2800LP Assembly.....	72-73
WRS3200LP Assembly.....	74-75
WRS3600LP Assembly.....	76-77
WRS4000LP Assembly.....	78-79
WRS4400LP Assembly.....	80-81
WRS4800LP Assembly.....	82-83
WRS5200LP Assembly.....	84-85
Shaft Puller Assembly .....	86-87
Terms And Conditions Of Sale — Parts .....	88

### NOTICE

Part numbers are subject to change without notice.

# PARTS ORDERING PROCEDURES

## Ordering parts has never been easier! Choose from three easy options:

Effective:  
January 1<sup>st</sup>, 2006

www.multiquip.com



### Order via Internet (Dealers Only):

Order parts on-line using Multiquip's SmartEquip website!

- View Parts Diagrams
- Order Parts
- Print Specification Information



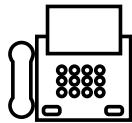
If you have an MQ Account, to obtain a Username and Password, E-mail us at: [parts@multiquip.com](mailto:parts@multiquip.com).

To obtain an MQ Account, contact your District Sales Manager for more information.

Goto [www.multiquip.com](http://www.multiquip.com) and click on **Order Parts** to log in and save!

Use the **internet** and qualify for a **5% Discount** on *Standard orders* for all orders which include complete part numbers.\*

Note: Discounts Are Subject To Change



### Order via Fax (Dealers Only):

All customers are welcome to order parts via Fax.

**Domestic (US) Customers dial:**  
1-800-6-PARTS-7 (800-672-7877)

**Fax** your order in and qualify for a **2% Discount** on *Standard orders* for all orders which include complete part numbers.\*

Note: Discounts Are Subject To Change



**Order via Phone: Domestic (US) Dealers Call:**  
1-800-427-1244

### Non-Dealer Customers:

Contact your local Multiquip Dealer for parts or call 800-427-1244 for help in locating a dealer near you.



**International Customers** should contact their local Multiquip Representatives for Parts Ordering information.

## When ordering parts, please supply:

- |   |  |
|---|--|
| <input type="checkbox"/> Dealer Account Number                                | <input type="checkbox"/> Specify Preferred Method of Shipment:                         |
| <input type="checkbox"/> Dealer Name and Address                              | <input checked="" type="checkbox"/> UPS/Fed Ex <input checked="" type="checkbox"/> DHL |
| <input type="checkbox"/> Shipping Address (if different than billing address) | <input type="checkbox"/> Priority One <input checked="" type="checkbox"/> Truck        |
| <input type="checkbox"/> Return Fax Number                                    | <input type="checkbox"/> Ground  |
| <input type="checkbox"/> Applicable Model Number                              | <input type="checkbox"/> Next Day  |
| <input type="checkbox"/> Quantity, Part Number and Description of Each Part   | <input type="checkbox"/> Second/Third Day  |

### NOTICE

All orders are treated as *Standard Orders* and will ship the same day if received prior to 3PM PST.

WE ACCEPT ALL MAJOR CREDIT CARDS!



# EXPLANATION OF CODE IN REMARKS COLUMN

The following section explains the different symbols and remarks used in the Parts section of this manual. Use the help numbers found on the back page of the manual if there are any questions.

## NOTICE

The contents and part numbers listed in the parts section are subject to change **without notice**. Multiquip does not guarantee the availability of the parts listed.

## SAMPLE PARTS LIST

NO.	PART NO.	PART NAME	QTY.	REMARKS
1	12345	BOLT.....	1	INCLUDES ITEMS W/%
2%		WASHER, 1/4 IN.....		NOT SOLD SEPARATELY
2%	12347	WASHER, 3/8 IN....	1	MQ-45T ONLY
3	12348	HOSE .....	A/R	MAKE LOCALLY
4	12349	BEARING .....	1	S/N 2345B AND ABOVE

## NO. Column

**Unique Symbols** — All items with same unique symbol

(@, #, +, %, or >) in the number column belong to the same assembly or kit, which is indicated by a note in the “Remarks” column.

**Duplicate Item Numbers** — Duplicate numbers indicate multiple part numbers, which are in effect for the same general item, such as different size saw blade guards in use or a part that has been updated on newer versions of the same machine.

## NOTICE

When ordering a part that has more than one item number listed, check the remarks column for help in determining the proper part to order.

## PART NO. Column

**Numbers Used** — Part numbers can be indicated by a number, a blank entry, or TBD.

TBD (To Be Determined) is generally used to show a part that has not been assigned a formal part number at the time of publication.

A blank entry generally indicates that the item is not sold separately or is not sold by Multiquip. Other entries will be clarified in the “Remarks” Column.

## QTY. Column

**Numbers Used** — Item quantity can be indicated by a number, a blank entry, or A/R.

A/R (As Required) is generally used for hoses or other parts that are sold in bulk and cut to length.

A blank entry generally indicates that the item is not sold separately. Other entries will be clarified in the “Remarks” Column.

## REMARKS Column

Some of the most common notes found in the “Remarks” Column are listed below. Other additional notes needed to describe the item can also be shown.

**Assembly/Kit** — All items on the parts list with the same unique symbol will be included when this item is purchased.

Indicated by:

“INCLUDES ITEMS W/(unique symbol)”

**Serial Number Break** — Used to list an effective serial number range where a particular part is used.

Indicated by:

“S/N XXXXX AND BELOW”

“S/N XXXX AND ABOVE”

“S/N XXXX TO S/N XXX”

**Specific Model Number Use** — Indicates that the part is used only with the specific model number or model number variant listed. It can also be used to show a part is NOT used on a specific model or model number variant.

Indicated by:

“XXXXX ONLY”

“NOT USED ON XXXX”

**“Make/Obtain Locally”** — Indicates that the part can be purchased at any hardware shop or made out of available items. Examples include battery cables, shims, and certain washers and nuts.

**“Not Sold Separately”** — Indicates that an item cannot be purchased as a separate item and is either part of an assembly/kit that can be purchased, or is not available for sale through Multiquip.



# SUGGESTED SPARE PARTS

## WRS5200 RIDE-ON ROLLER SCREED WITH VANGUARD DM950 DIESEL ENGINE

### 1 to 3 units

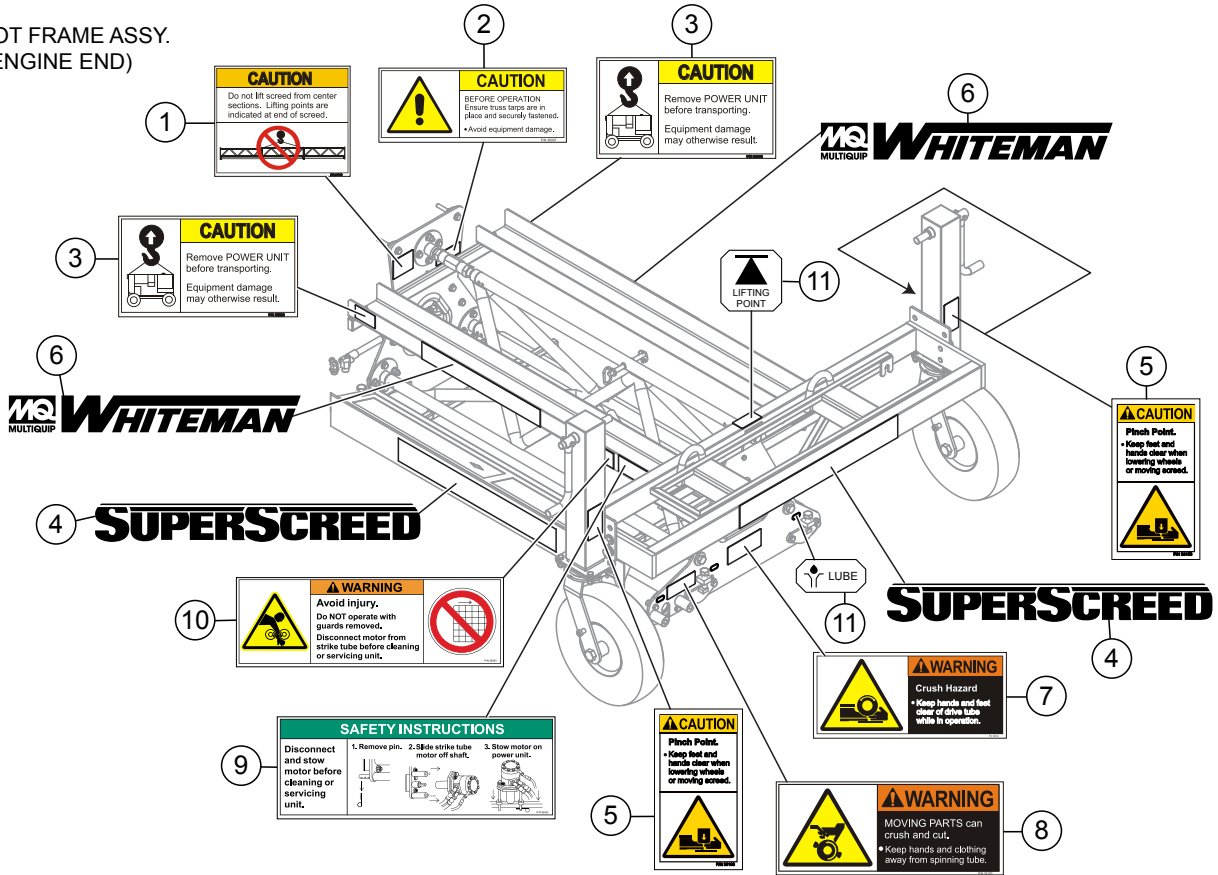
Qty.	P/N	Description
3.....	11402.....	FILTER, HYDRAULIC OIL
1.....	16219.....	MOTOR, DRIVE TUBE
3.....	16222.....	SHAFT, SPLINED
2.....	16223.....	BEARING, 1-3/8" -DRIVE AND STRIKE TUBE
2.....	16224.....	BEARING, 1-1/4" -INNER STRIKE TUBE
5.....	16298.....	COUPLING, STRIKE TUBE
5.....	16396.....	PIN, LEVER-DETACHABLE
1.....	16409.....	MOTOR, STRIKE TUBE
2.....	16564.....	FITTING, 1/2 FEMALE QC
2.....	16565.....	FITTING, 1/2 MALE QC
2.....	16566.....	FITTING, 3/4 FEMALE QC
2.....	16567.....	FITTING, 3/4 MALE QC
1.....	820311.....	FUEL FILTER
1.....	820314.....	OIL FILTER
1.....	820263.....	AIR FILTER ELEMENT
1.....	821075.....	V-BELT
1.....	821135.....	SWITCH, OIL PRESSURE
1.....	825064.....	THERMOSTAT
1.....	820208.....	SWITCH, WATER TEMPERATURE
1.....	825700.....	STARTER
1.....	825084.....	ALTERNATOR
1.....	825134.....	HOSE, RADIATOR, UPPER, OUTLET
1.....	825133.....	HOSE, RADIATOR, LOWER, INLET

### NOTICE

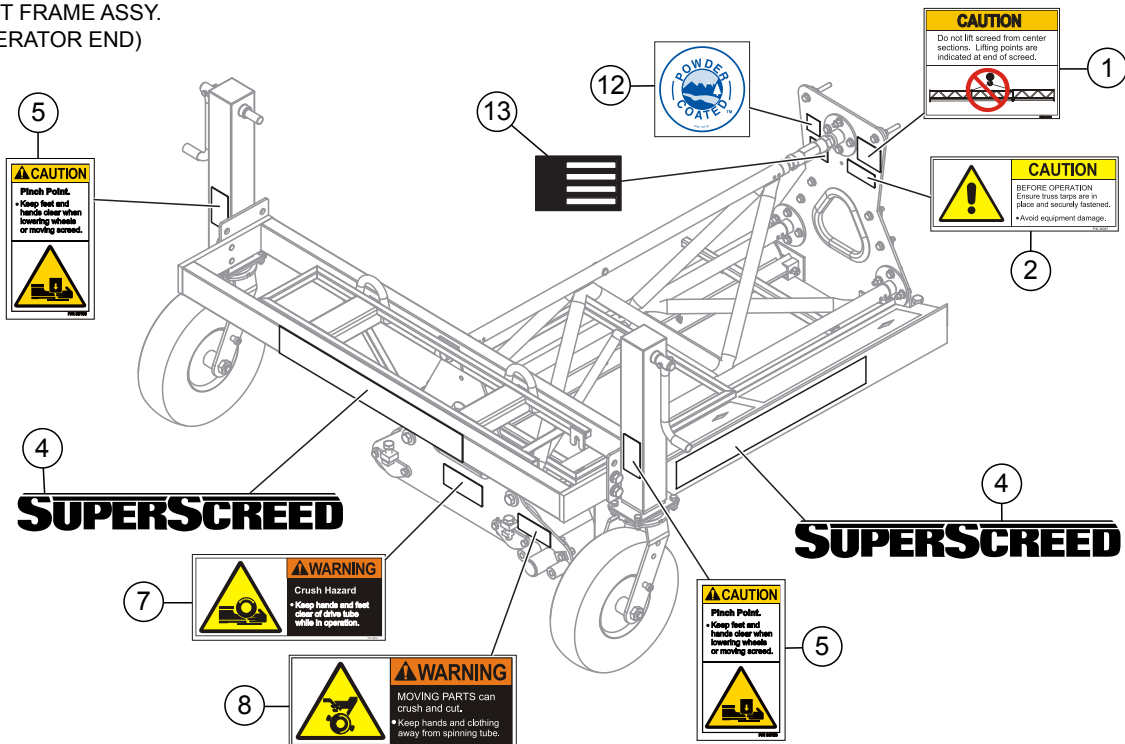
Part numbers on this Suggested Spare Parts list may supersede/replace the part numbers shown in the following parts lists.

# NAMEPLATE AND DECALS (ENGINE & OPERATOR ENDS)

5 FOOT FRAME ASSY.  
(ENGINE END)



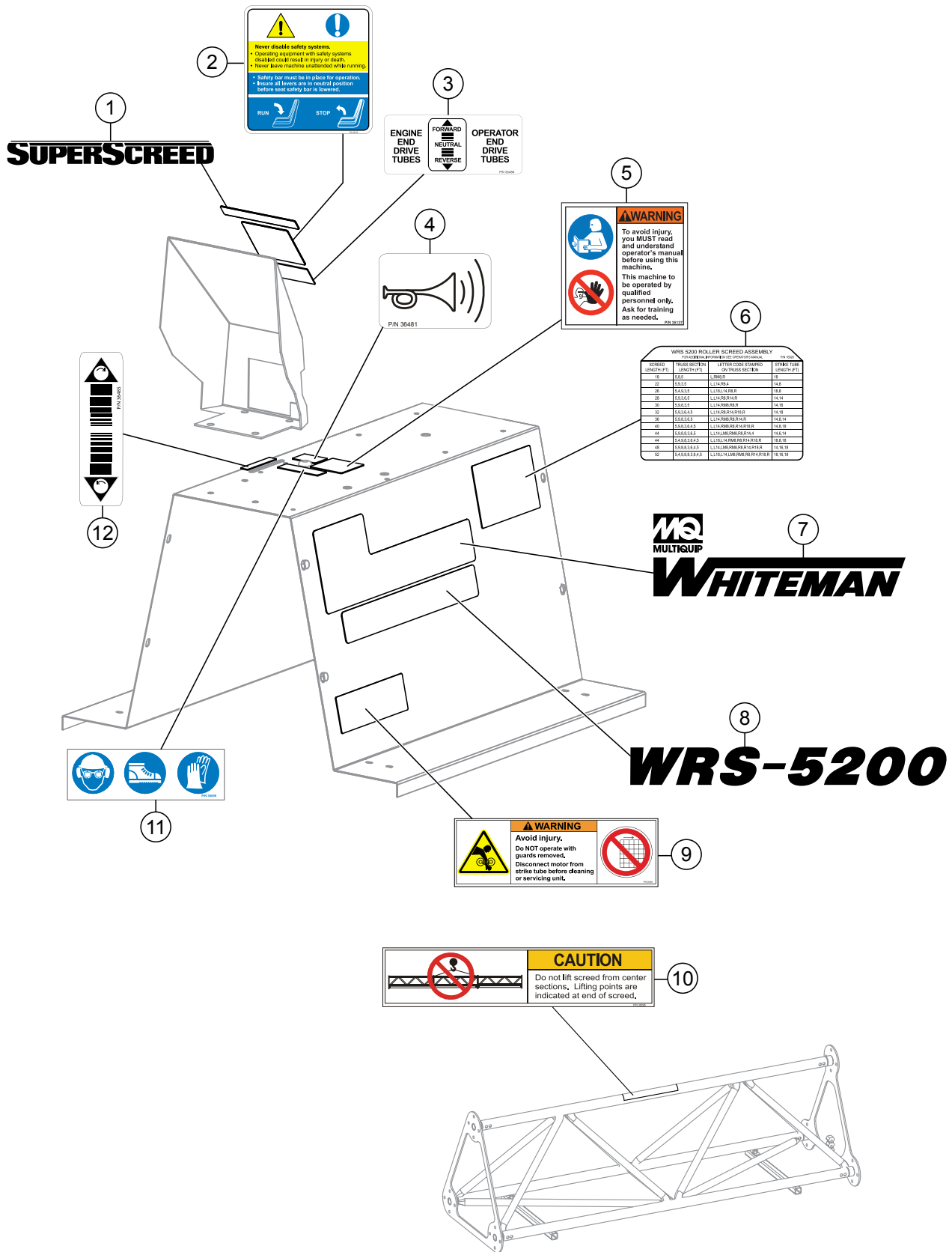
5 FOOT FRAME ASSY.  
(OPERATOR END)



## NAMEPLATE AND DECALS (ENGINE & OPERATOR ENDS)

<u>NO.</u>	<u>PART NO.</u>	<u>PART NAME</u>	<u>QTY.</u>	<u>REMARKS</u>
1	36096	DECAL, NO CENTER LIFT-SHORT	2	
2	36097	DECAL, TARP INSTRUCTIONS	2	
3	36093	DECAL, REMOVE POWER UNIT	2	
4	26401	DECAL, SUPER SCREED	4	
5	36103	DECAL, PINCH POINTS	8	
6	16563	DECAL, MQ WHITEMAN	2	
7	36094	DECAL, CRUSH POINT	2	
8	36100	DECAL, MOVING PARTS	2	
9	36482	DECAL, REMOVE STRIKE TUBE MOTOR	1	
10	36483	DECAL, GUARD WARNING	1	
11	16925	DECAL, LUBE AND LIFT	1	
12	13118	DECAL, POWDER COATED	1	
13		DECAL, SERIAL PLATE .....	1.....	CONTACT UNIT SALES

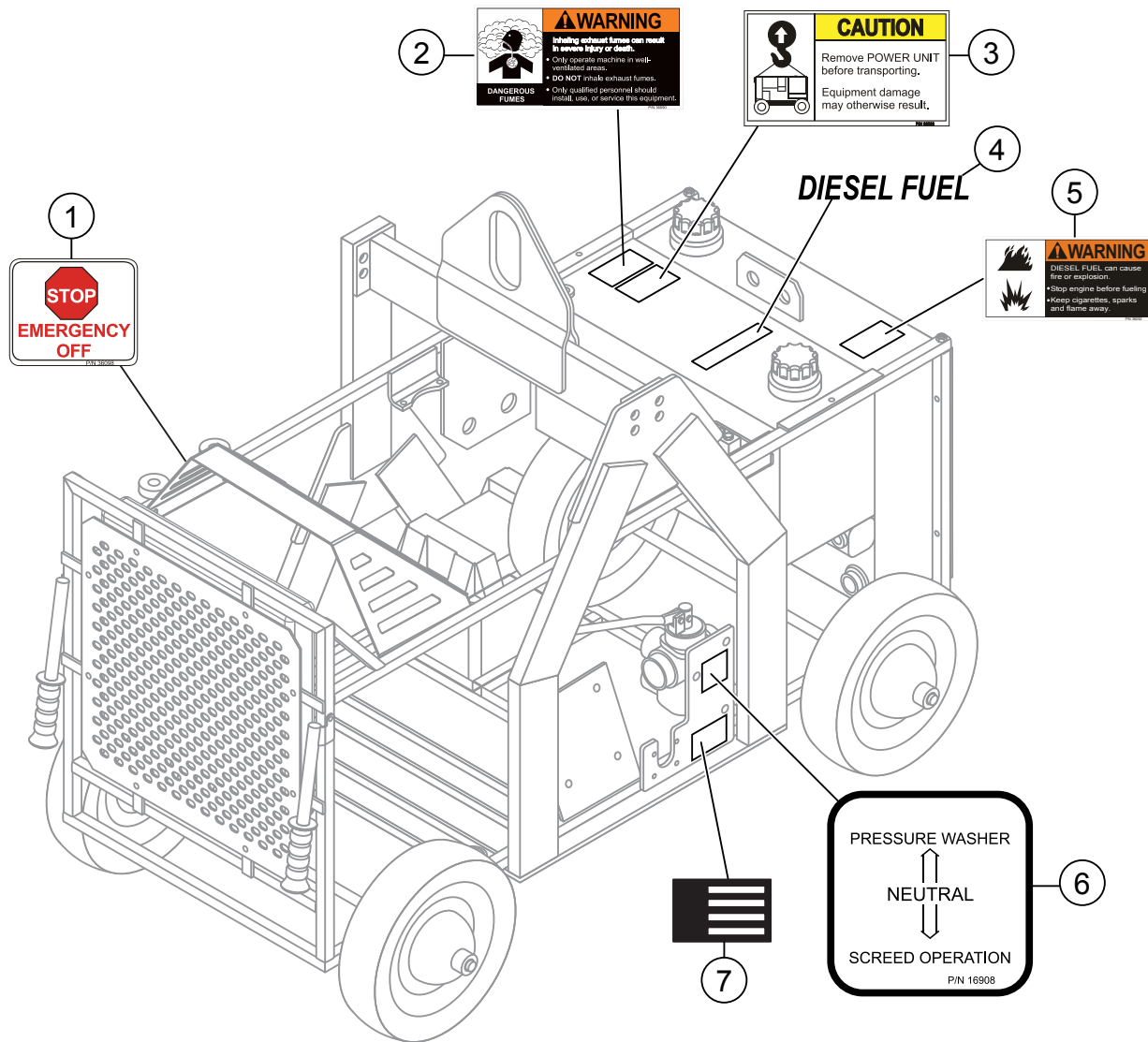
# NAMEPLATE AND DECALS (RIDER GUARD & FRAMES)



## NAMEPLATE AND DECALS (RIDER GUARD & FRAMES)

<u>NO.</u>	<u>PART NO.</u>	<u>PART NAME</u>	<u>QTY.</u>	<u>REMARKS</u>
1	36104	DECAL, SUPER SCREED	1	
2	36826	DECAL, OPERATOR PRESENCE	1	
3	36484	DECAL, DRIVE TUBE DIRECTION	1	
4	36481	DECAL, HORN	1	
5	35137	DECAL, READ MANUAL, ASK FOR TRAINING	1	
6	16926	DECAL, WRS SETUP	1	
7	16563	DECAL, MQ WHITEMAN	2	
8	16562	DECAL, WRS-5200	2	
9	36483	DECAL, GUARD WARNING	2	
10	36095	DECAL, LIFTING-LONG.....	1.....	EACH FRAME SECTION REQUIRES QTY 1
11	36099	DECAL, SAFETY	1	
12	36485	DECAL, STRIKE TUBE	1	

# NAMEPLATE AND DECALS (POWER UNIT)



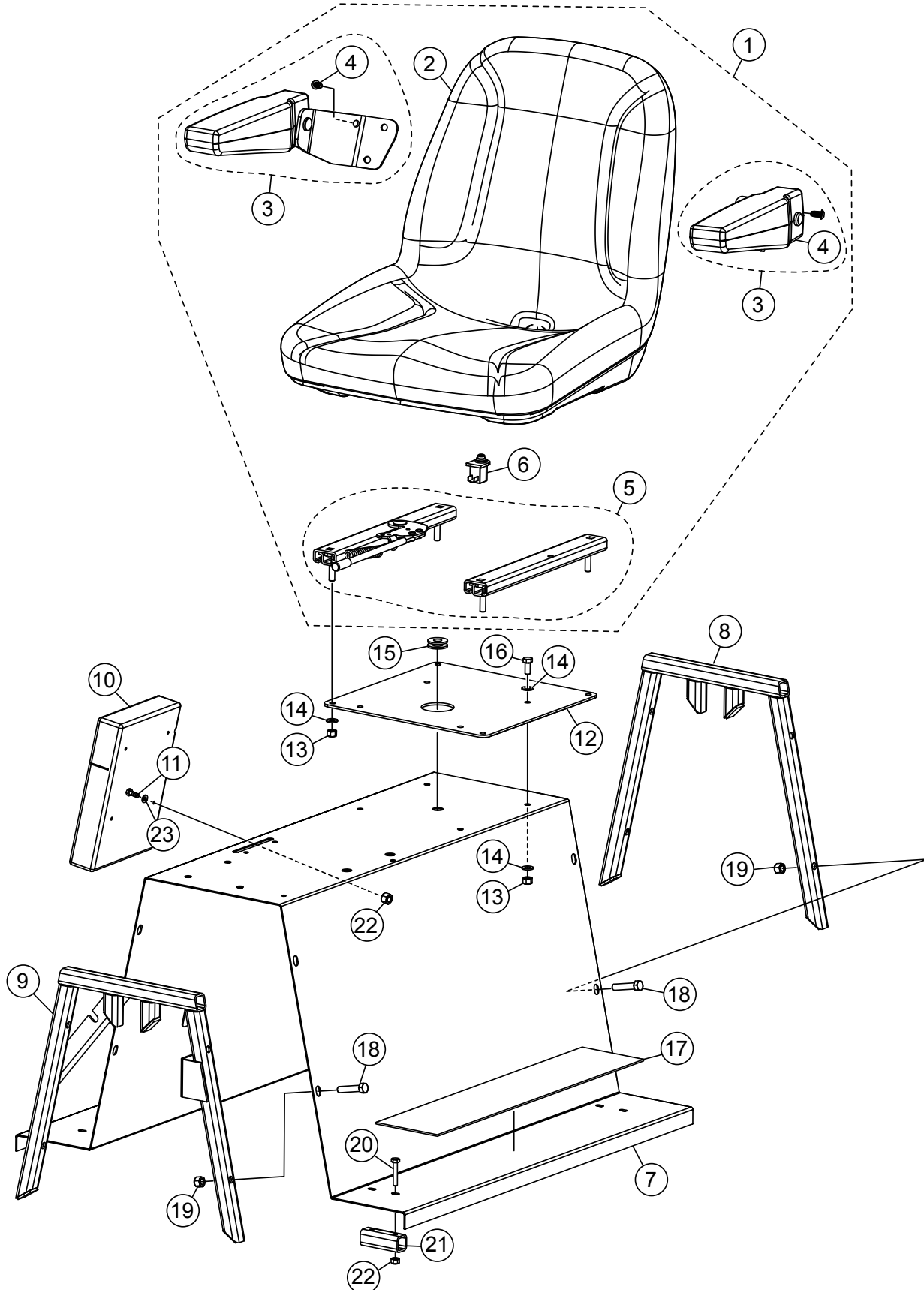
## **NAMEPLATE AND DECALS (POWER UNIT)**

---

<u>NO.</u>	<u>PART NO.</u>	<u>PART NAME</u>	<u>QTY.</u>	<u>REMARKS</u>
1	36098	DECAL, EMERGENCY OFF	1	
2	36090	DECAL, VENTILATION 2X4	1	
3	36093	DECAL, POWER UNIT REMOVAL	1	
4	11811	DECAL, DIESEL FUEL 5.13, BLACK	1	
5	36092	DECAL, DIESEL FUEL 3.5 X 1.75	1	
6	16908	DECAL, PRESSURE WASHER	1	
7		DECAL, SERIAL PLATE .....	1.....	CONTACT UNIT SALES



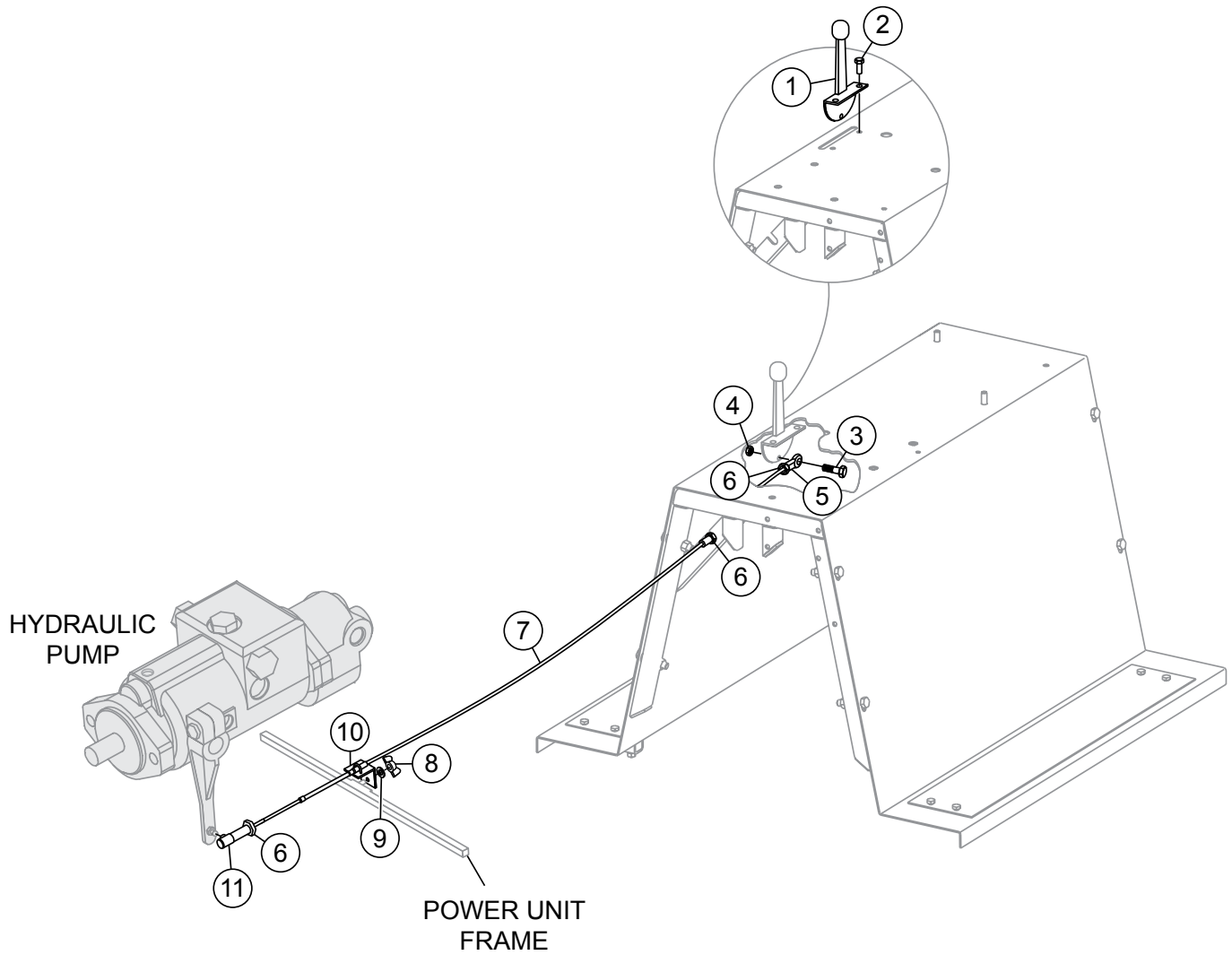
# OPERATOR SEAT ASSY.



## OPERATOR SEAT ASSY.

<u>NO.</u>	<u>PART NO.</u>	<u>PART NAME</u>	<u>QTY.</u>	<u>REMARKS</u>
1	21852	SEAT,MICHIGAN ADJUSTABLE W/ARMS .....	1.....	INCLUDES ITEMS W/%
2%	21860	SEAT, BASIC-MICHIGAN V-2805 SERIES	1	
3%	21868	ARMREST KIT, SEAT .....	1.....	INCLUDES ITEMS W/#
4%#	21869	SCREW, 5/16-18 SELF TAPPING	6	
5%	21865	ADJUSTKER KIT, SEAT	1	
6%	21870	KILL SWITCH, SEAT-DELTA SYS	1	
7	16748	GUARD,RIDER	1	
8	16506	MOUNT, RIDER GUARD	1	
9	36824	MOUNT, RIDER GUARD CABLE END	1	
10	29057	DOCUMENT BOX, CP9000-07	1	
11	0730	SCREW, HHC 1/4-20 X 1	4	
12	36804	PLATE,SEAT	1	
13	5283	NUT, NYLOC 5/16-18	8	
14	0300 B	WASHER, FLAT SAE 5/16	12	
15	19468	GROMMET, MINOR Z-4004	1	
16	0655	SCREW, HHC 5/16-18 X 3/4	4	
17	16402	GRID,NON SKID	2	
18	9154	SCREW, HHC 3/8-16 X 1 3/4	8	
19	10133	NUT, NYLOC 3/8-16	8	
20	5277	SCREW, HHC 1/4-20 X 1 1/2	8	
21	16504	STABILIZER, RIDER	4	
22	10024	NUT, NYLOC 1/4-20	12	
23	0948	WASHER, FLAT SAE 1/4	4	

# THROTTLE ASSY.

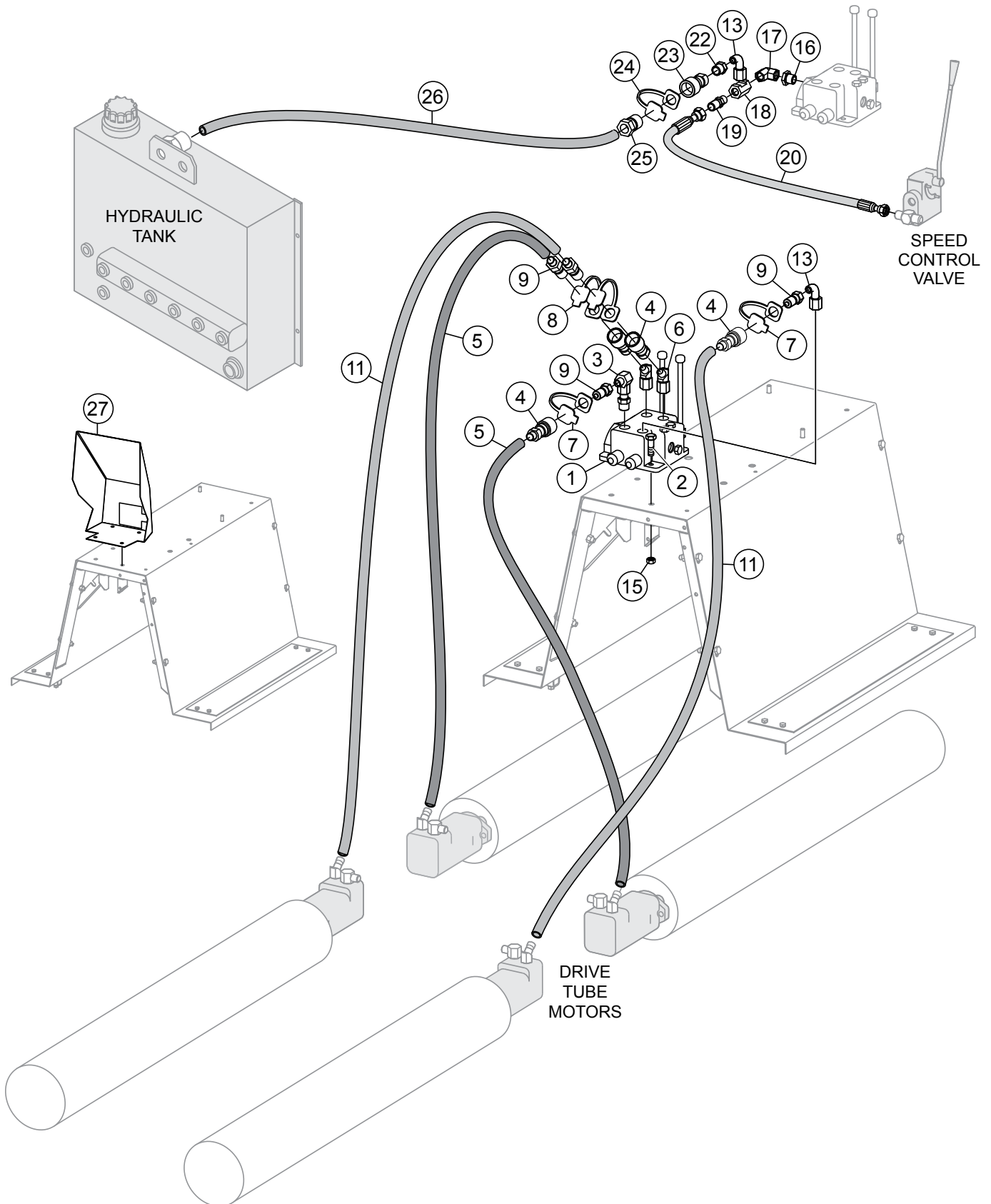


## THROTTLE ASSY.

---

<u>NO.</u>	<u>PART NO.</u>	<u>PART NAME</u>	<u>QTY.</u>	<u>REMARKS</u>
1	11379	HAND THROTTLE CONTROL	1	
2	4514	SCREW, HHC 1/4-20 X 5/8 GR5	2	
3	3513	SCREW, HHF 10-32 X 1	1	
4	10019	NUT, NYLOC 10-32	1	
5	2153	ROD END, 10-32 FEMALE RH	1	
6	0937	NUT, FULL HEX 10-32 ZINC PLATED	3	
7	26884	CABLE, TUBE SPEED 16 FT	1	
7	16394	CABLE, TUBE SPEED 50 FT	1	
8	16500	NUT, WING 1/2-13	1	
9	5054 A	WASHER, LOCK 1/2 MED	1	
10	16501	MOUNT, CABLE	1	
11	16396	BALL JOINT, QUICK CONNECT 10-32, P1000	1	

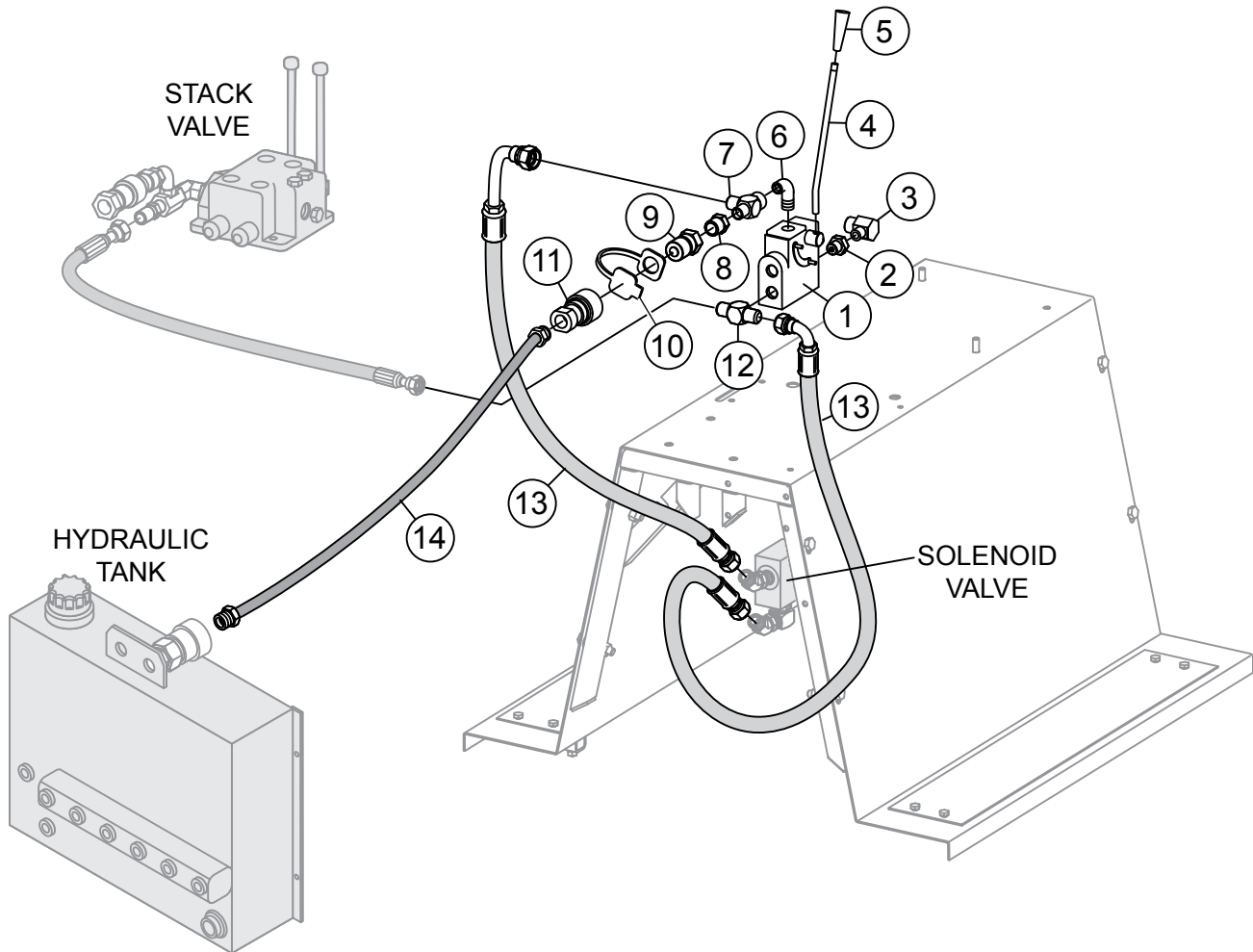
# STACK VALVE ASSY.



## STACK VALVE ASSY.

<u>NO.</u>	<u>PART NO.</u>	<u>PART NAME</u>	<u>QTY.</u>	<u>REMARKS</u>
1	16221	VALVE, STACK	1	
2	1023	SCREW, HHC 3/8-16 X 1-1/4 GR 5	3	
3	16588	FITTING, 90 10FJ - 1/2MP	1	
4	16564	FITTING, QD PARKER H4-62 FEM 1/2FP	4	
5	16579	HOSE, 60" OAL 1/2HOSE-8FJX8NP	2	
6	16590	FITTING, 45 1/2MP-1/2MP	2	
7	16568	PLUG, DUST PARKER H4-65M	2	
8	16569	CAP, DUST PARKER H4-66M	2	
9	16565	FITTING, QD PARKER H4-63 MALE 1/2FP	4	
11	26883	HOSE, 192" OAL 8MPX8FJ	2	
11	16578	HOSE, 594" OAL 1/2HOSE - 8MPX8FJ	2	
13	16589	FITTING, 90 1/2MP-1/2MP	2	
15	10133	NUT, NYLOC 3/8-16	3	
16	16582	FITTING, STR 12MO-1/2MP	1	
17	11718	FITTING, 90 1/2FP-1/2FP	1	
18	16583	FITTING, TEE 8MP - 1/2FP - 1/2FP RUN	1	
19	36687	FITTING, STR 1/2MP X 10MJ LONG	1	
20	36688	HOSE ASSY 1/2"	1	
22	16585	FITTING, BUSH 1/2FP-3/4MP	1	
23	16566	FITTING, QD PARKER H6-62 FEM 3/4FP	1	
24	16570	COVER, FEMALE 3/4 H6-65M	1	
25	16567	FITTING, QD PARKER H6-63 MALE 3/4FP	1	
26	16577	HOSE, 606" OAL 1/2HOSE-12MPX12MP	1	
26	26882	HOSE, 192" OAL 12MPX12MP	1	
27	36629	GUARD, OPERATOR	1	

# SPEED CONTROL VALVE ASSY.



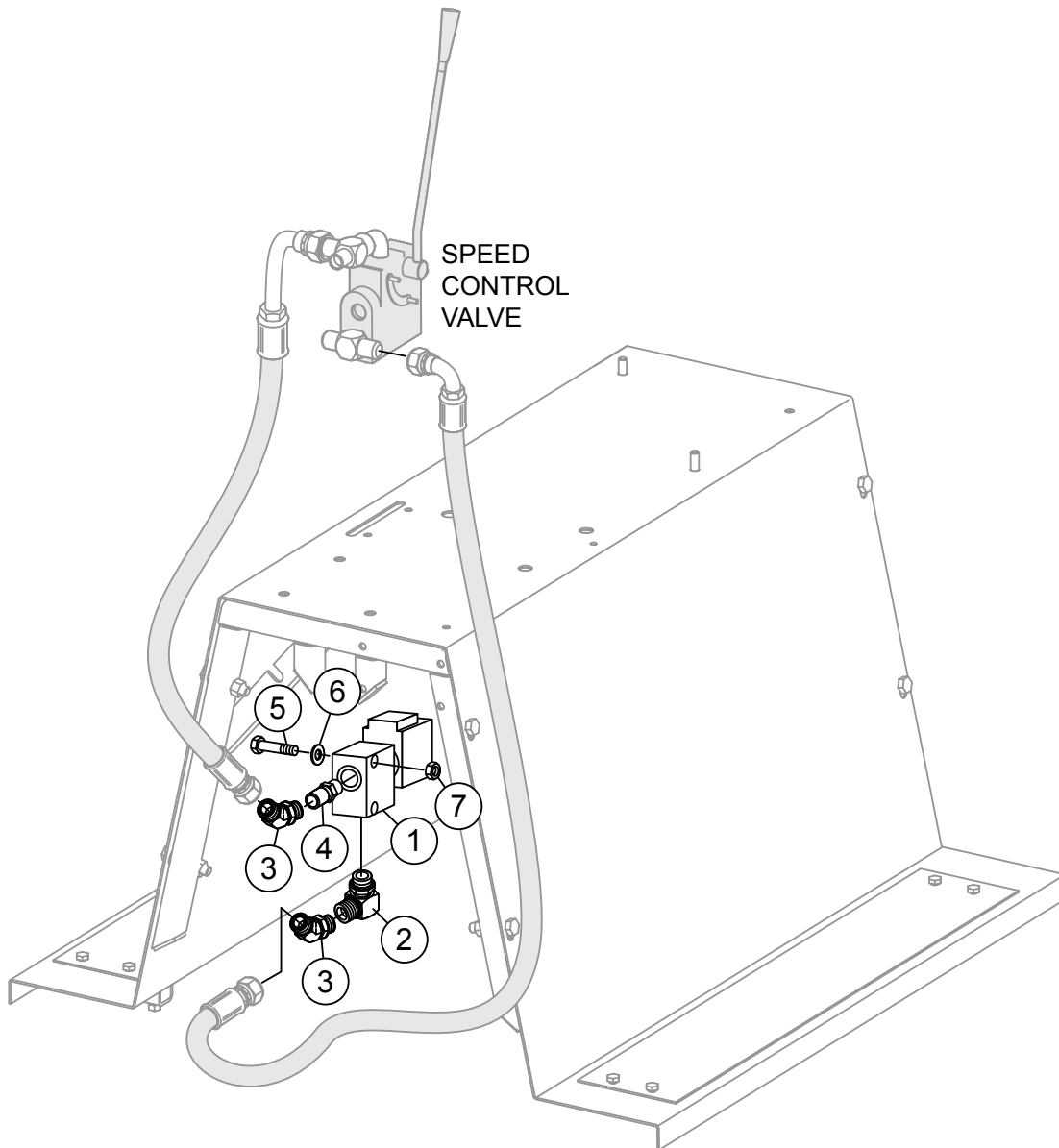


## **SPEED CONTROL VALVE ASSY.**

---

<b><u>NO.</u></b>	<b><u>PART NO.</u></b>	<b><u>PART NAME</u></b>	<b><u>QTY.</u></b>	<b><u>REMARKS</u></b>
1	16220	VALVE, SPEED CONTROL	1	
2	16596	FITTING, STR 3/4MP-1/2MP	1	
3	16592	FITTING, 90 3/4FP - 12MO	1	
4	16730	HANDLE, SPEED CONTROL	1	
5	16788	HANDLE, TAPERED	1	
6	16589	FITTING, 90 1/2MP-1/2MP	1	
7	36084	FITTING, TEE 1/2FP - 10MJ - 1/2MP RUN	1	
8	16585	FITTING, BUSH 1/2FP-3/4MP	1	
9	16567	FITTING, QD PARKER H6-63 MALE 3/4FP	1	
10	16571	COVER, MALE 3/4 H6-66M	1	
11	16566	FITTING, QD PARKER H6-62 FEM 3/4FP	1	
12	36085	FITTING, TEE 10MJ - 1/2MP - 10MJ BRANCH	1	
13	36112	HOSE ASM, 1/2ID X 15-1/4 90 END	1	
14	26882	HOSE, 192" OAL 12MPX12MP	1	
14	16577	HOSE, 606" OAL 1/2HOSE - 12MPX12MP	1	

# SOLENOID VALVE ASSY.

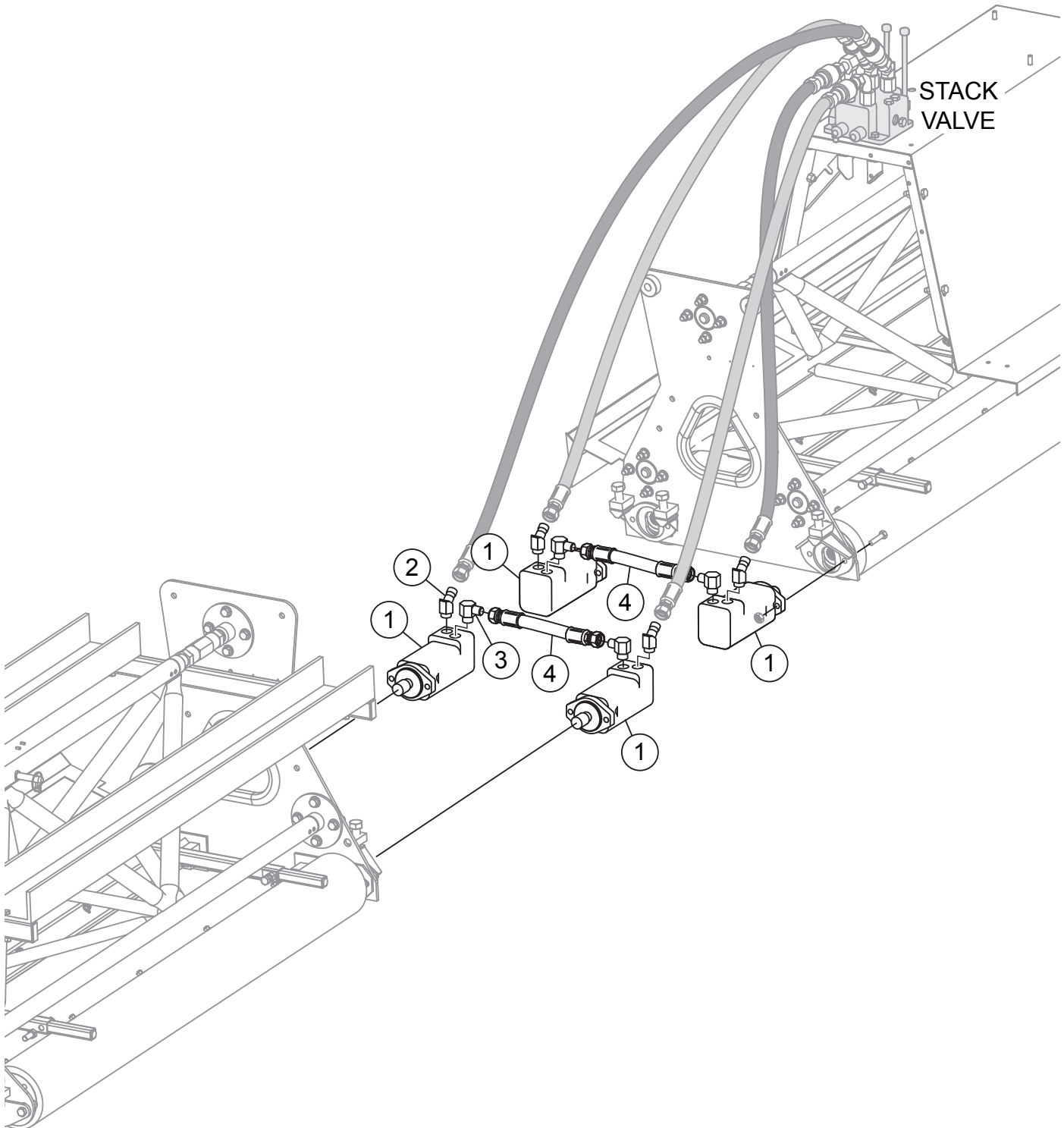


## SOLENOID VALVE ASSY.

---

<u>NO.</u>	<u>PART NO.</u>	<u>PART NAME</u>	<u>QTY.</u>	<u>REMARKS</u>
1	36107	VALVE, SOLENOID	1	
2	11396	FITTING, 90 8MJ-8M0	1	
3	36113	FITTING, 45 8MJ-8FJ	2	
4	11749	FITTING, STR 8MJ-8M0	1	
5	26250	SCREW, HHC 1/4-20 X 1-3/4	2	
6	0948	WASHER, FLAT SAE 1/4	2	
7	10024	NUT, NYLOC 1/4-20	2	

# DRIVE TUBE MOTOR ASSY.

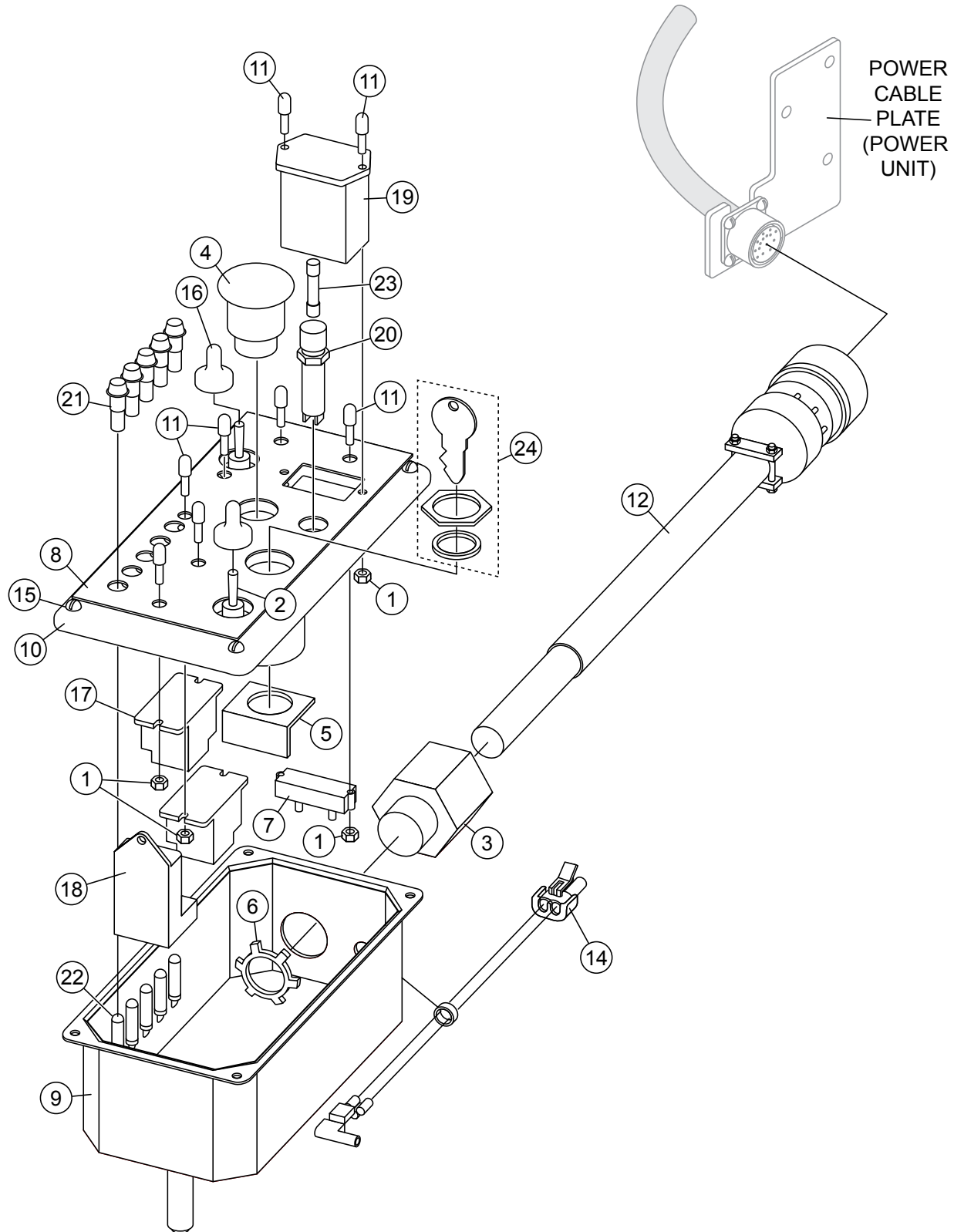


## **DRIVE TUBE MOTOR ASSY.**

---

<u>NO.</u>	<u>PART NO.</u>	<u>PART NAME</u>	<u>QTY.</u>	<u>REMARKS</u>
1	16219	MOTOR, HYD CHAR-LYNN	4	
2	16580	FITTING, 45 8MJ-10MO	4	
3	26010	FITTING, 90 8MJ-10MO	4	
4	26011	HOSE ASM, 1/2ID X 21-8FJ-8FJ	2	

# CONTROL BOX ASSY.



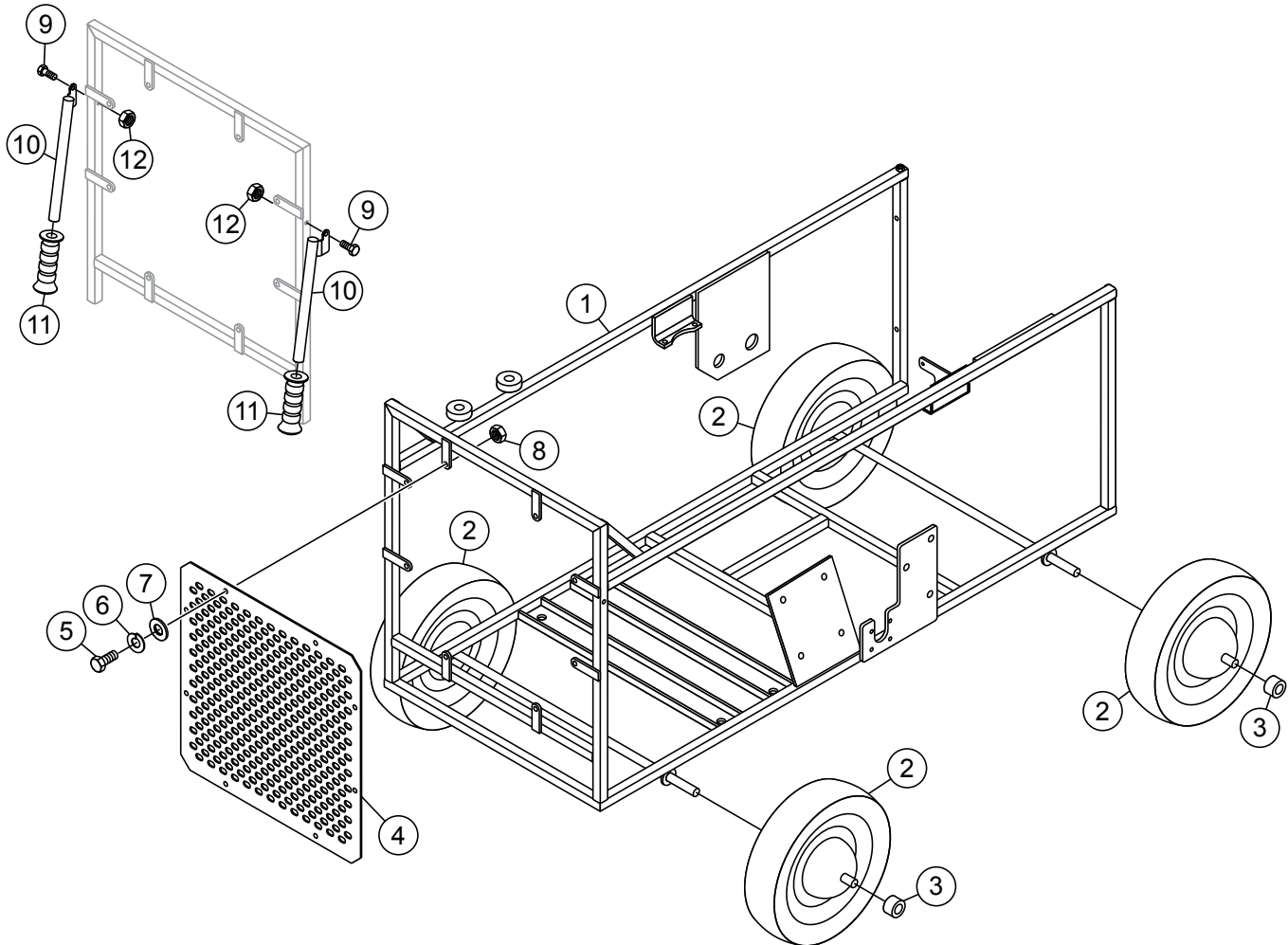
## CONTROL BOX ASSY.

---

<u>NO.</u>	<u>PART NO.</u>	<u>PART NAME</u>	<u>QTY.</u>	<u>REMARKS</u>
1	11152	NUT, NYLOC 6-32	8	
2	16389	SWITCH, TOGGLE	2	
3	16392	GRIP, CORD CGB296	1	
4	16510	BUTTON, EMERGENCY STOP	1	
5	16511	BLOCK, CONTACT	1	
6	26560	NUT, LOCKING 3/4 NPT CONDUIT	1	
7	2673	CIRCUIT BREAKER, 30A 12V	1	
8	26996	DECAL, CONTROL WRSDPU	1	
9	36004	BOX, ELEC-BASE	1	
10	36005	BOX, ELECTRIC LID	1	
11	36010	SCREW, BHSC 6-32 X 1/2	8	
12	36019	CORD, ASM, 55' DIESEL	1	
14	36134	BYPASS WIRE ASM, CONTROL BOX	1	
15	36159	HARDWARE, HOFFMAN A-843DSC	1	
16	8381	BOOT, TOGGLE SWITCH	2	
17	36007	SWITCH, FLANGED RELAY	2	
18	36008	GLOW PLUG TIMER	1	
19	36009	HOUR METER	1	
20	36015	FUSE MOUNT, PANEL CHASSIS	1	
21	36049	LED MOUNT	5	
22	36051	LED PANEL LIGHT	5	
23	36052	FUSE, 15A	1	
24	10958	IGNITION SWITCH	1	



# POWER UNIT FRAME ASSY.

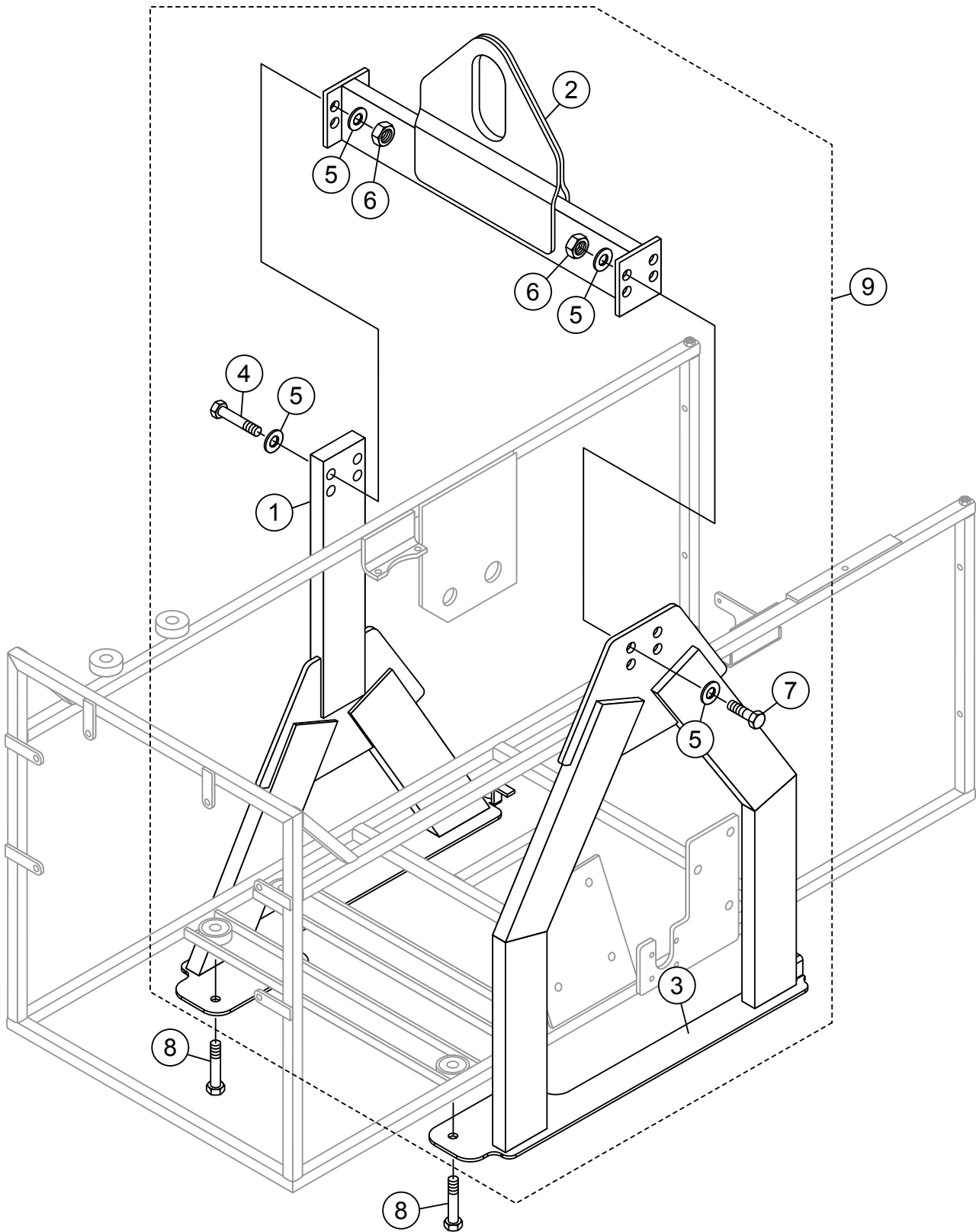


## POWER UNIT FRAME ASSY.

---

<u>NO.</u>	<u>PART NO.</u>	<u>PART NAME</u>	<u>QTY.</u>	<u>REMARKS</u>
1	26971	FRAME, WRSDPU	1	
2	16233	WHEEL	4	
3	3615	COLLAR, SET 3/4 ID	4	
4	26995	GRILL, RADIATOR	1	
5	0730	SCREW, HHC 1/4-20 X 1	8	
6	0181 B	WASHER, LOCK 1/4 MED	8	
7	0948	WASHER, FLAT, 1/4 SAE	8	
8	10176	NUT, NYLOC 1/2-13	8	
9	4370	SCREW, HHC 3/8-16 X 2-1/4	2	
10	16195	HANDLE, SCREED	2	
11	1724	GRIP, HANDLE	2	
12	10133	NUT, NYLOC 3/8-16	2	

# LIFT BALE ASSY.

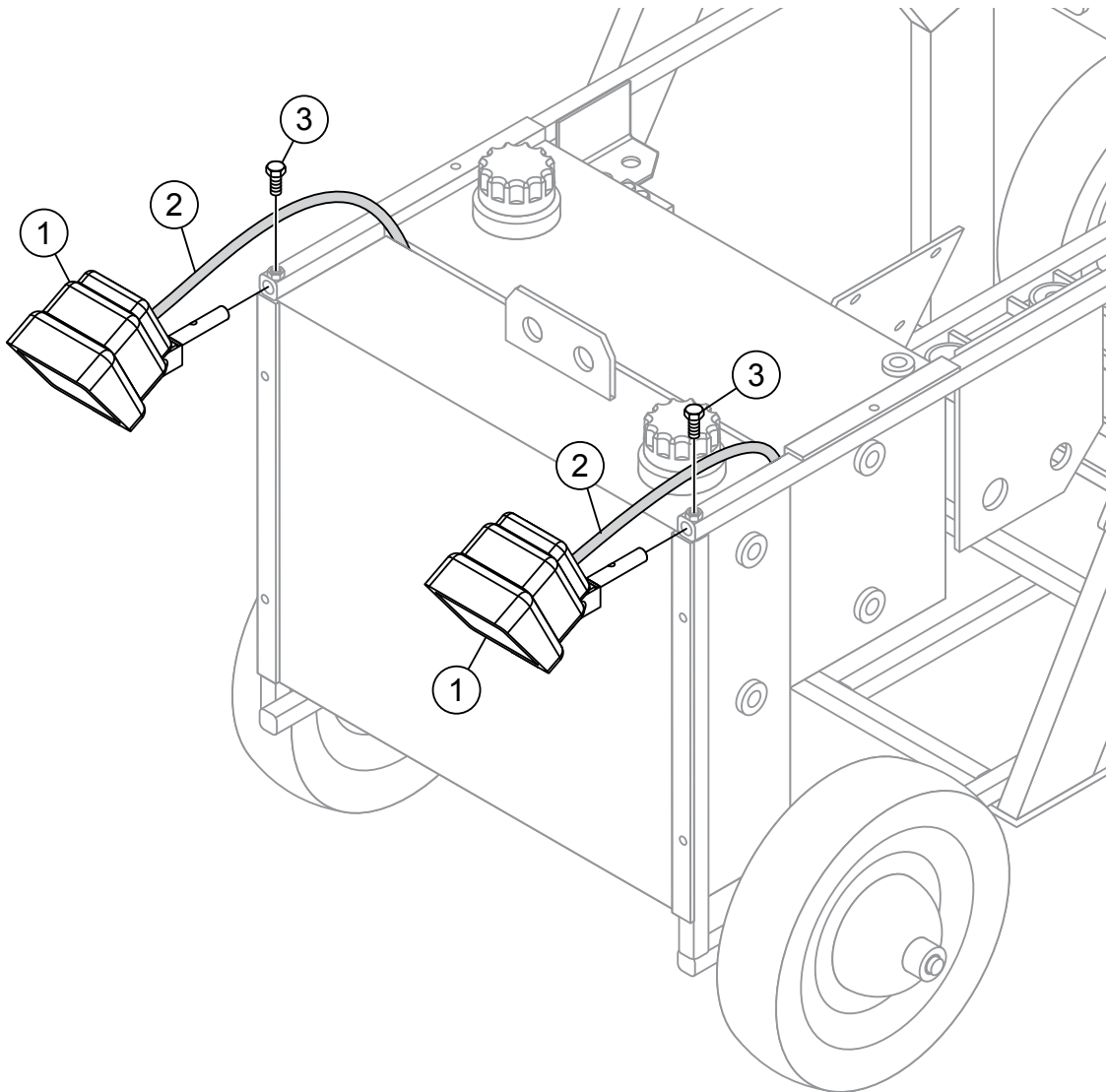


## LIFT BALE ASSY.

---

<u>NO.</u>	<u>PART NO.</u>	<u>PART NAME</u>	<u>QTY.</u>	<u>REMARKS</u>
1@	36759	LIFT BALE 3 OF 3	1	
2@	36758	LIFT BALE 2 OF 3	1	
3@	36757	LIF BALE 1 OF 3	1	
4@	1665	SCREW, HHC 3/8-16 X 2	4	
5@	EM923025	WASHER, FLAT SAE 3/8	16	
6@	10133	NUT, NYLOC 3/8-16	8	
7@	1023	SCREW, HHC 3/8-16 X 1-1/4 GR 5	4	
8	TBD	SCREW	4	
9	36760	LIFT BALE ASSY.....	1.....	INCLUDES ITEMS W/@

# LIGHTS ASSY.

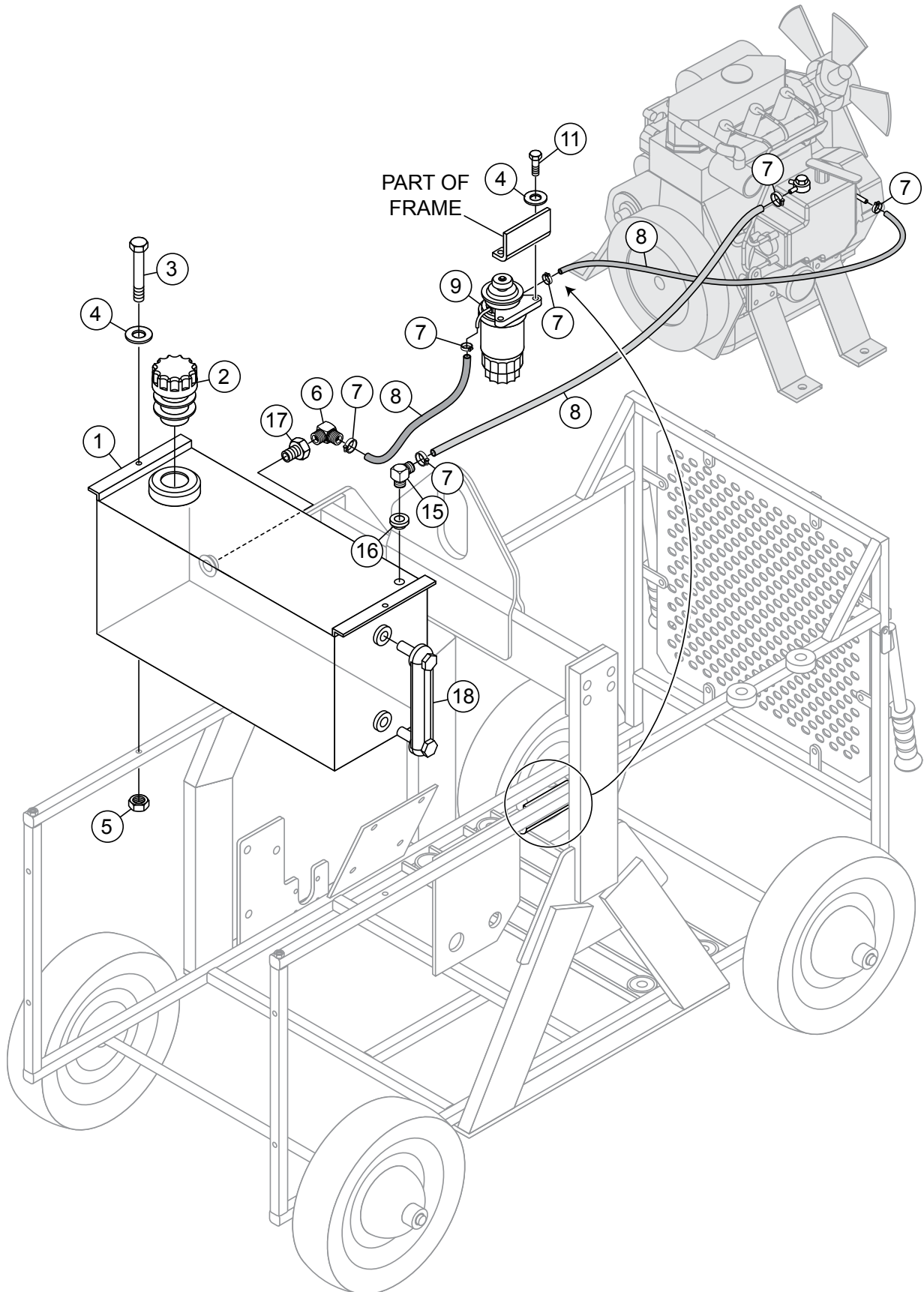


## LIGHTS ASSY.

---

<u>NO.</u>	<u>PART NO.</u>	<u>PART NAME</u>	<u>QTY.</u>	<u>REMARKS</u>
1	16499	LIGHT FIXTURE	2	
2	90004	RD CF 1018 .75 DIA X 20'	2	
3	2691	SCREW, HHC 1/2-13 X 1	1	

# FUEL ASSY.



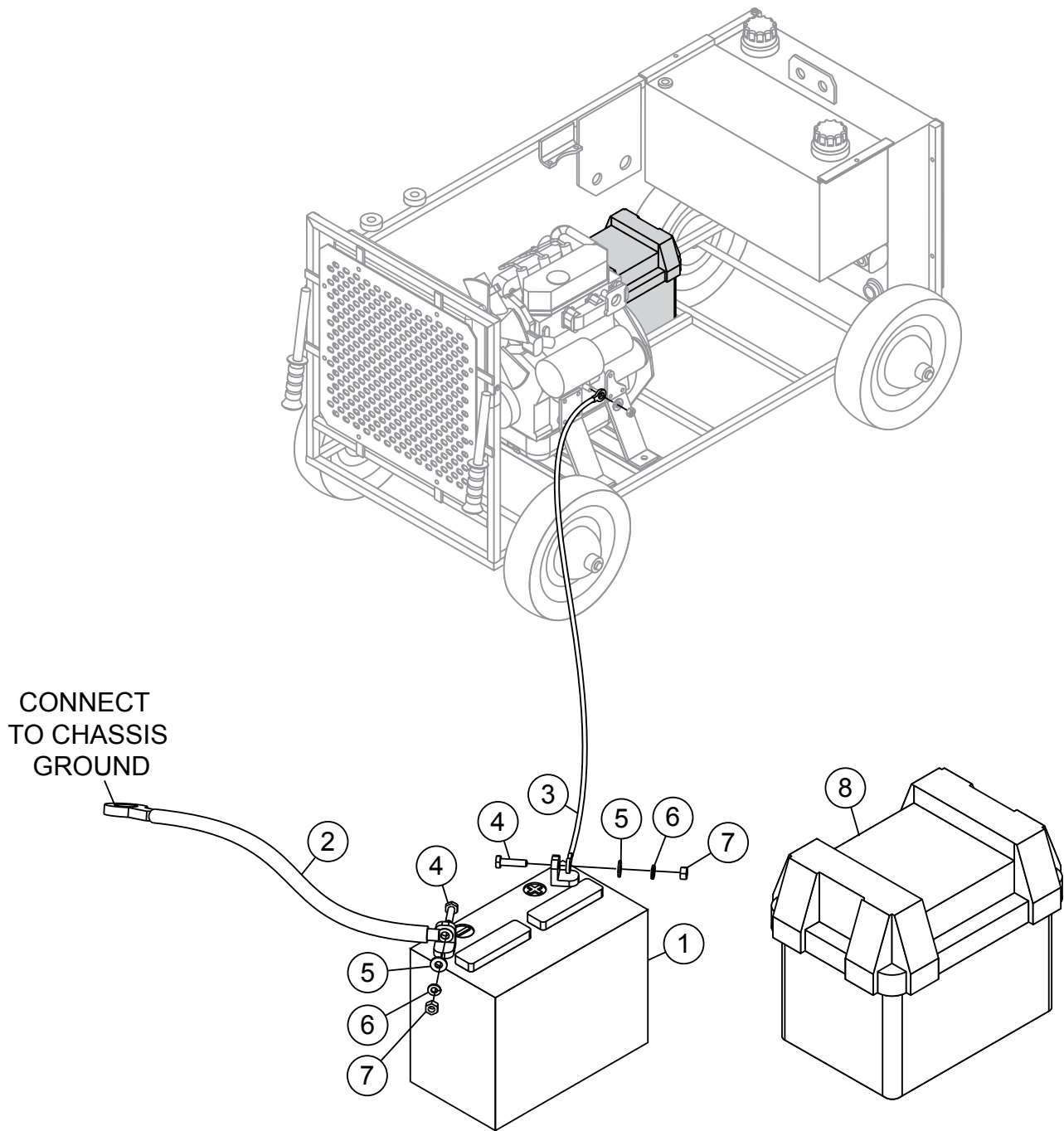


## FUEL ASSY.

---

<u>NO.</u>	<u>PART NO.</u>	<u>PART NAME</u>	<u>QTY.</u>	<u>REMARKS</u>
1	36053	TANK, DIESEL	1	
2	16403	CAP, FUEL	1	
3	9154	SCREW, HHC 3/8-16 X 1-3/4	2	
4	10136	WASHER, FLAT SAE 3/8	4	
5	10133	NUT, NYLOC 3/8-16	2	
6	17206	FITTING, 90 5BARB-1/4MP	1	
7	19473	CLAMP, HOSE WORM #2, 1/4 TO 5/8	6	
8	60079	HOSE, FUEL .312D 100PSI LOW PERM CARB06	3	
9	820311	FILTER, FUEL B&S	1	
11	1605	SCREW, HHC M8-1.25 X 25MM	2	
15	12008	FITTING, 90 FUEL	1	
16	19633	BUSHING, RUBBER FUEL	1	
17	19317	FITTING, BRASS BUSHING	1	
18	3336	GAUGE, SIGHT	1	

# BATTERY ASSY.

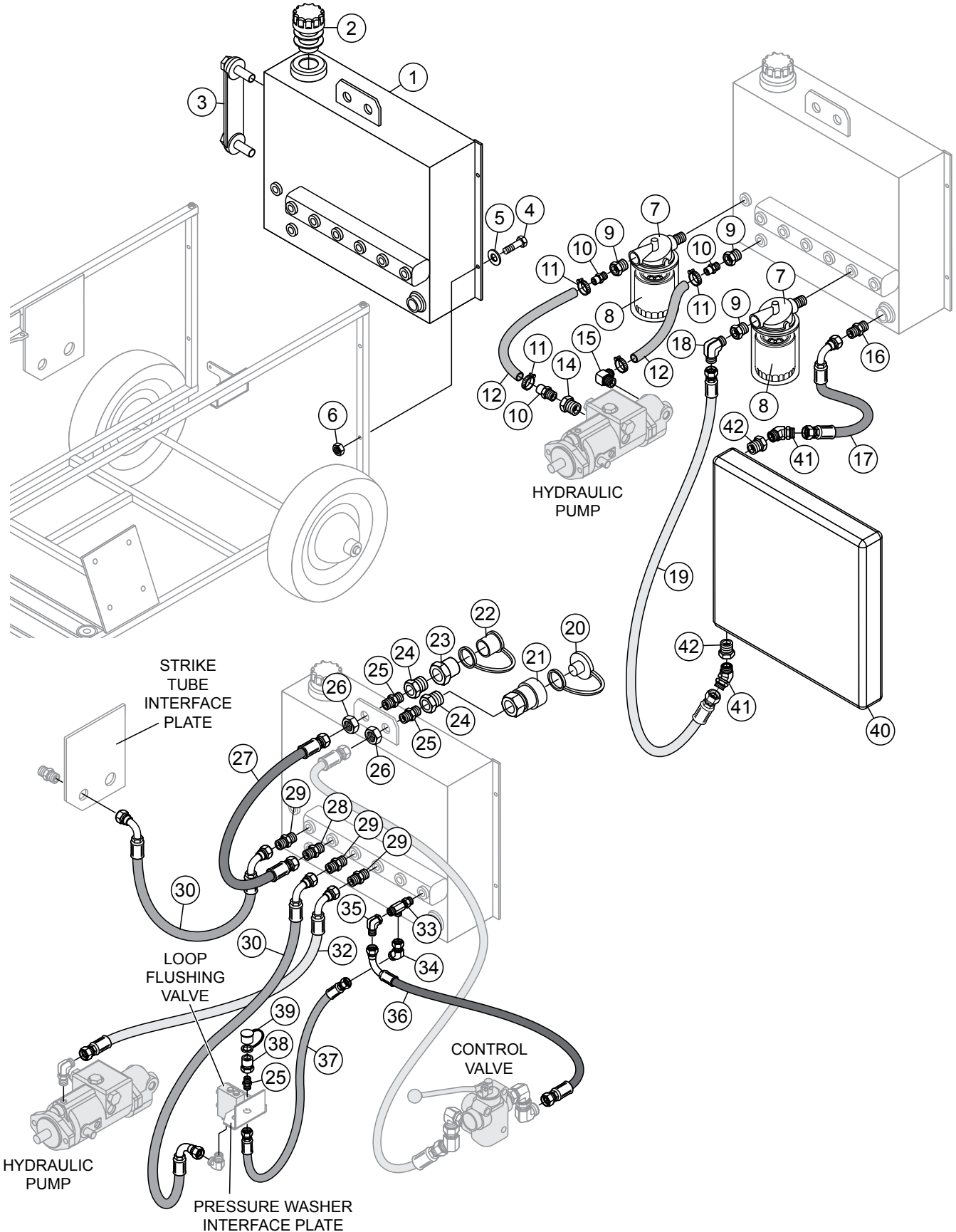


## **BATTERY ASSY.**

---

<u>NO.</u>	<u>PART NO.</u>	<u>PART NAME</u>	<u>QTY.</u>	<u>REMARKS</u>
1	4671	BATTERY, SMALL, WET	1	
2	12022	CABLE, NEG 20-1/2	1	
3	12675	CABLE, POS BATTERY, 36"	1	
4	0730	SCREW, HHC 1/4-20 X 1	2	
5	0948	WASHER, FLAT SAE 1/4	2	
6	0181 B	WASHER, LOCK 1/4 MEDIUM	2	
7	0949	NUT, HEX FINISH 1/4-20	2	
8	2449	BOX, BATTERY	1	

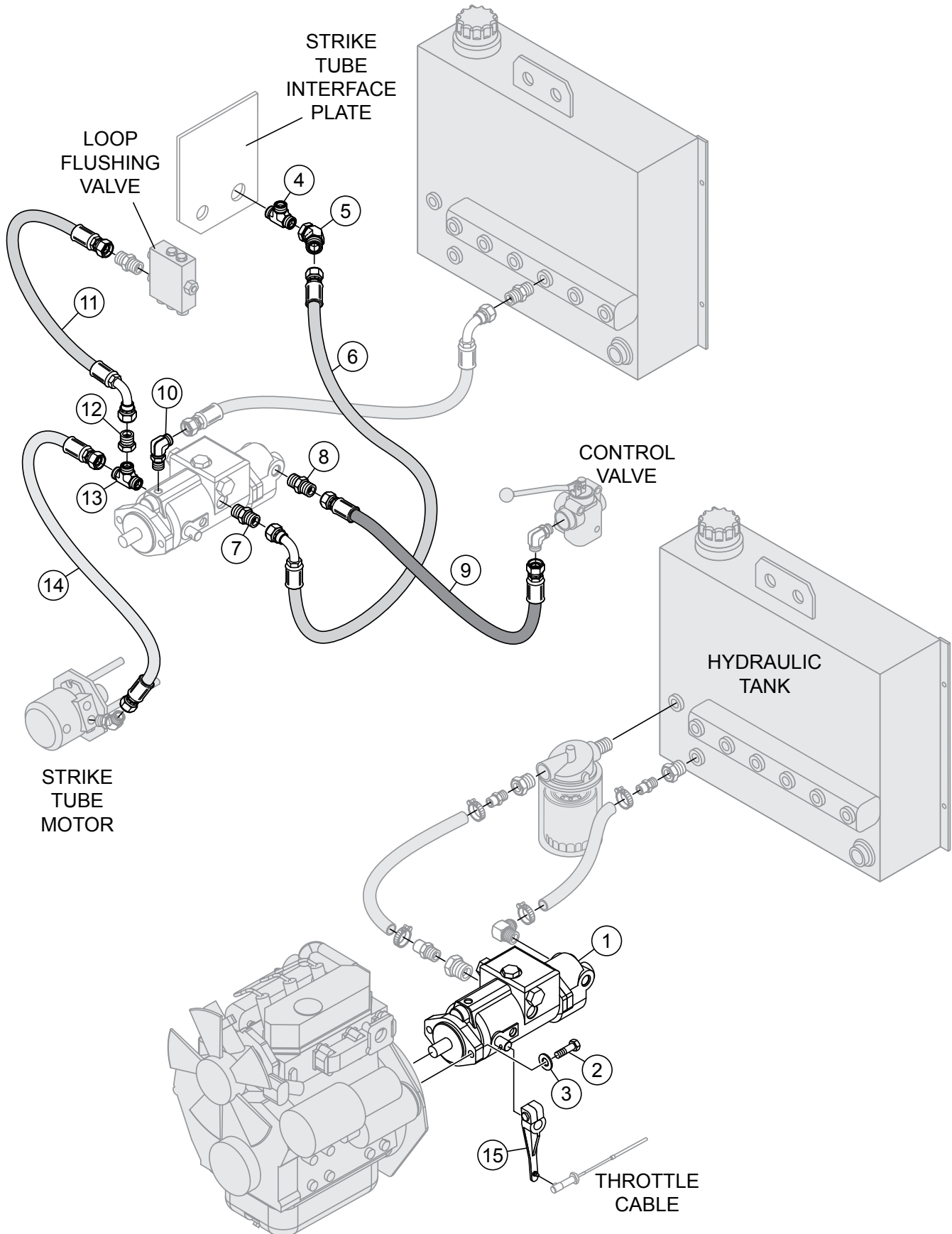
# HYDRAULIC TANK / COOLER ASSY.



## HYDRAULIC TANK / COOLER ASSY.

<u>NO.</u>	<u>PART NO.</u>	<u>PART NAME</u>	<u>QTY.</u>	<u>REMARKS</u>
1	16317	TANK, HYDRAULIC	1	
2	16405	CAP, HYDRAULIC	1	
3	3336	GAUGE, SIGHT	1	
4	9154	SCREW, HHC 3/8-16 X 1-3/4	4	
5	10136	WASHER, FLAT 3/8 SAE	4	
6	10133	NUT, NYLOC 3/8-16	4	
7	16218	FILTER, HEAD ZINGA ZAF-10-25-0	2	
8	11402	ELEMENT, FILTER 3" 10 MICRON AE-10	2	
9	16346	FITTING, BUSH 3/4FP - 1MP	3	
10	13220	FITTING, STR 12BARB-3/4MP	3	
11	3333	CLAMP, HOSE WORM #12 11/16 TO 1-1/4	4	
12	3462	HOSE, .75 ID 100R4 16.5 LONG	2	
14	16572	FITTING, STR 8M0-3/4FP SWIV	1	
15	3461	FITTING, 90 12BARB-12MO	1	
16	16331	FITTING, STR 10MJ-3/4MP	1	
17	26992	HOSE ASM, 1/2ID X 46, 10FJ X 45DEG 10FJ	1	
18	3368	FITTING, 90 10MJ-3/4MP	1	
19	26993	HOSE ASM, 1/2 ID X 48, 10FJ X 10FJ	1	
20	16570	COVER, FEMALE 3/4 H6-65M	1	
21	16566	FITTING, QD PARKER H6-62 FEM 3/4FP	1	
22	16571	COVER, MALE 3/4 H6-66M	1	
23	16567	FITTING, QD PARKER H6-63 MALE 3/4FP	1	
24	16585	FITTING, BUSH 1/2FP-3/4MP	2	
25	16597	FITTING, STR 10MJ-1/2MP BLKHD	3	
26	16598	FITTING, NUT 10 BLKHD JAM	2	
27	36710	HOSE ASSY, 5/8"ID X 27.25"	1	
28	3365	FITTING, STR 10MJ-10MO	1	
29	11721	FITTING, STR 6MJ-6MO	3	
30	16611	HOSE ASM, 6FJSWX-6FJSW45°	2	
32	36567	HOSE ASM, .38"ID X 14.5" - 6FJ SWIVEL STR	1	
33	21093	FITTING, TEE 10MJ-10MJ-10MO RUN	1	
34	16698	FITTING, 45 10MJ-10FJ	1	
35	16846	FITTING, 90 10MJ-10FJ	1	
36	36713	HOSE ASM, 1/2"ID X 14.50"	1	
37	36712	HOSE ASM, 1/2"ID X 17.25"	1	
38	16565	FITTING, QD PARKER H4-63 MALE 1/2FP	1	
39	16569	CAP, DUST PARKER H4-66M	1	
40	16213	COOLER, THER TRANS	1	
41	16336	FITTING, 45 10MJ-10MO	2	
42	36674	FITTING, STR 16MO X 10FO	2	

# HYDRAULIC PUMP ASSY.

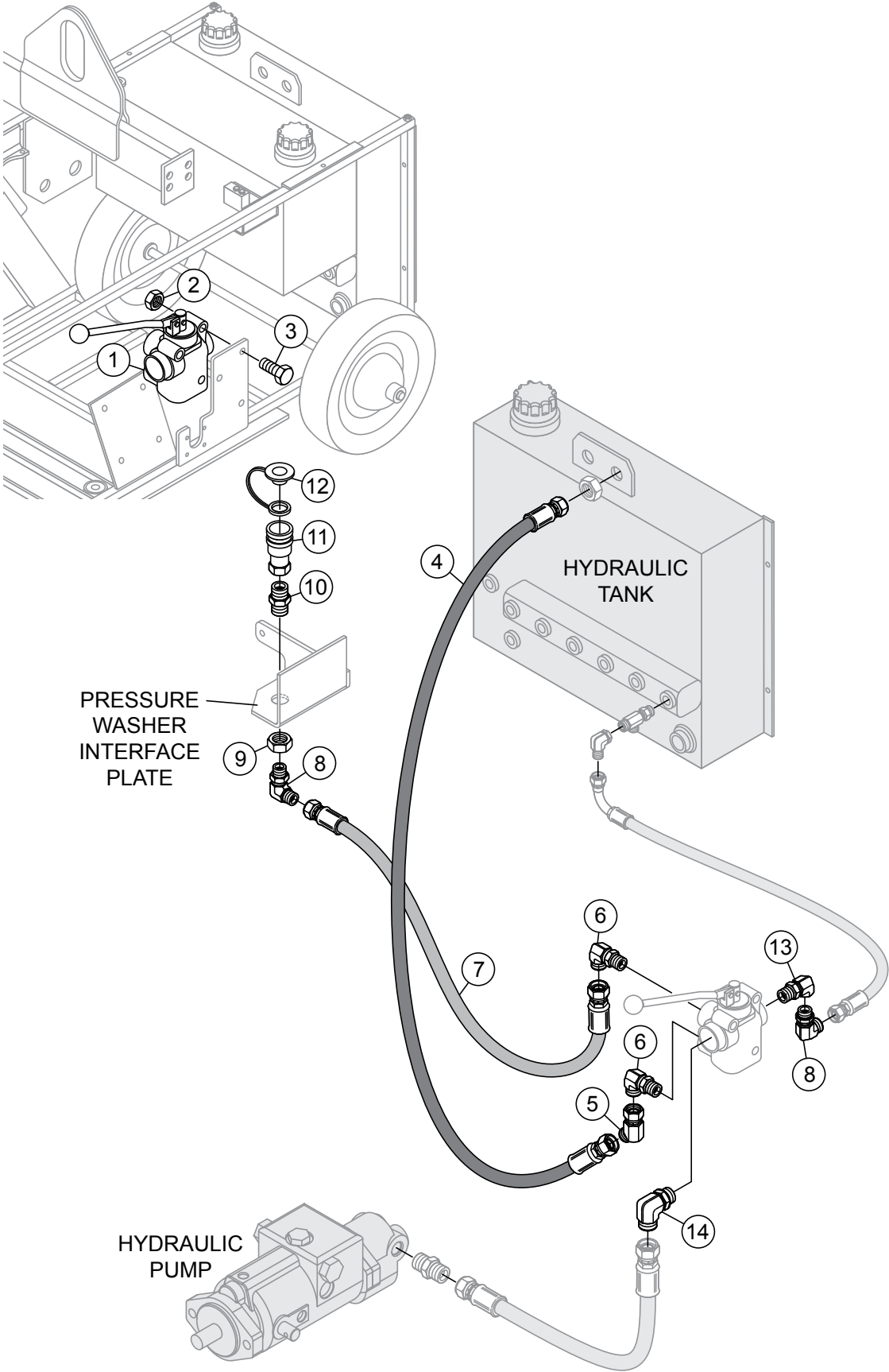


## HYDRAULIC PUMP ASSY.

---

<u>NO.</u>	<u>PART NO.</u>	<u>PART NAME</u>	<u>QTY.</u>	<u>REMARKS</u>
1	36634	PUMP, HYDRAULIC	1	
2	1023	SCREW, HHC 3/8-16 X 1-1/4 GR 5	2	
3	0166 A	WASHER, LOCK, 3/8 MED	2	
4	16340	FITTING, TEE 12MJ-12MJ-12MJ BLKHD RUN	1	
5	16609	FITTING, 45 12MJ-12FJ	1	
6	16614	HOSE ASM, 12FJSWX-12FJSW90°	1	
7	11386	FITTING, STR 12MJ-12MO	1	
8	16617	FITTING, STR 8MJ-10MO	1	
9	16615	HOSE ASM, 8FJSWX-8FJSW90°	1	
10	11723	FITTING, 90 6MJ-8MO	1	
11	16613	HOSE ASM, 6FJSWX-6FJSW90°	1	
12	16328	FITTING, STR 6MJ-12FJ	1	
13	16327	FITTING, TEE 12MJ-12MJ-12MO	1	
14	16574	HOSE, 80"OAL 5/8HOSE -10FJX12FJ	1	
15	16216	LEVER, PUMP	1	

# CONTROL VALVE ASSY.



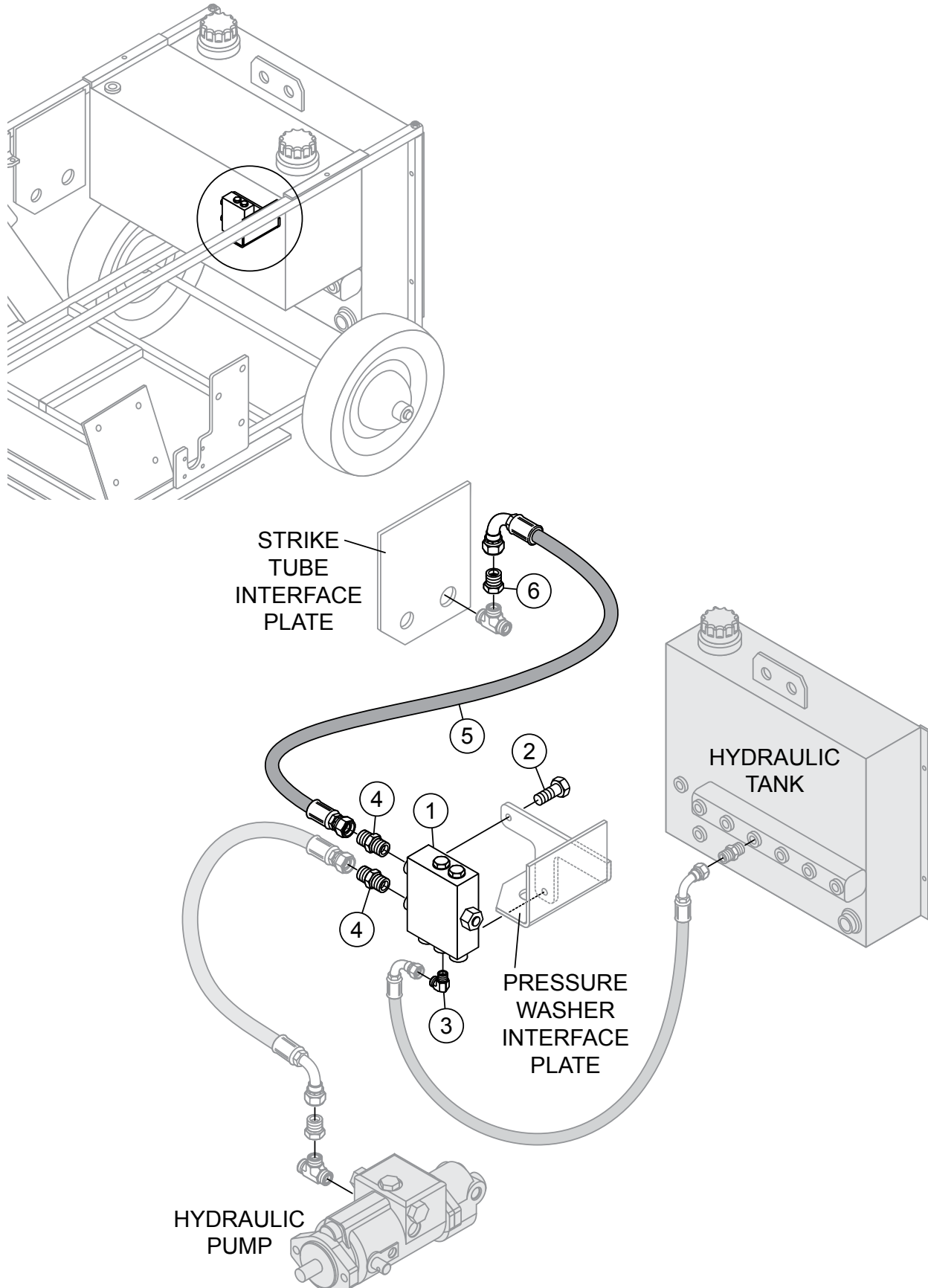


## CONTROL VALVE ASSY.

---

<u>NO.</u>	<u>PART NO.</u>	<u>PART NAME</u>	<u>QTY.</u>	<u>REMARKS</u>
1	36518	VALVE, 3-WAY-BRAND A0120T4JRD	1	
2	10024	NUT, NYLOC 1/4-20	3	
3	5277	SCREW, HHC 1/4-20 X 1-1/2	3	
4	36709	HOSE ASM, 5/8"ID X 26" 100R17 10FJ	1	
5	16698	FITTING, 45 10MJ-10FJ	1	
6	3322	FITTING, 90 10MJ-10MO	2	
7	36711	HOSE ASM, 1/2"ID X 15.50"	1	
8	16846	FITTING, 90 10MJ-10FJ	2	
9	16598	FITTING, NUT 10 BLKHD JAM	1	
10	16597	FITTING, STR 10MJ-1/2MP BLKHD	1	
11	16564	FITTING, QD PARKER H4-62 FEM 1/2FP	1	
12	16568	PLUG, DUST PARKER H4-65M	1	
13	22145	FITTING, 90 12MO-10MJ	1	
14	36520	FITTING, 90 8MJ-12MO	1	

# LOOP FLUSHING VALVE ASSY.

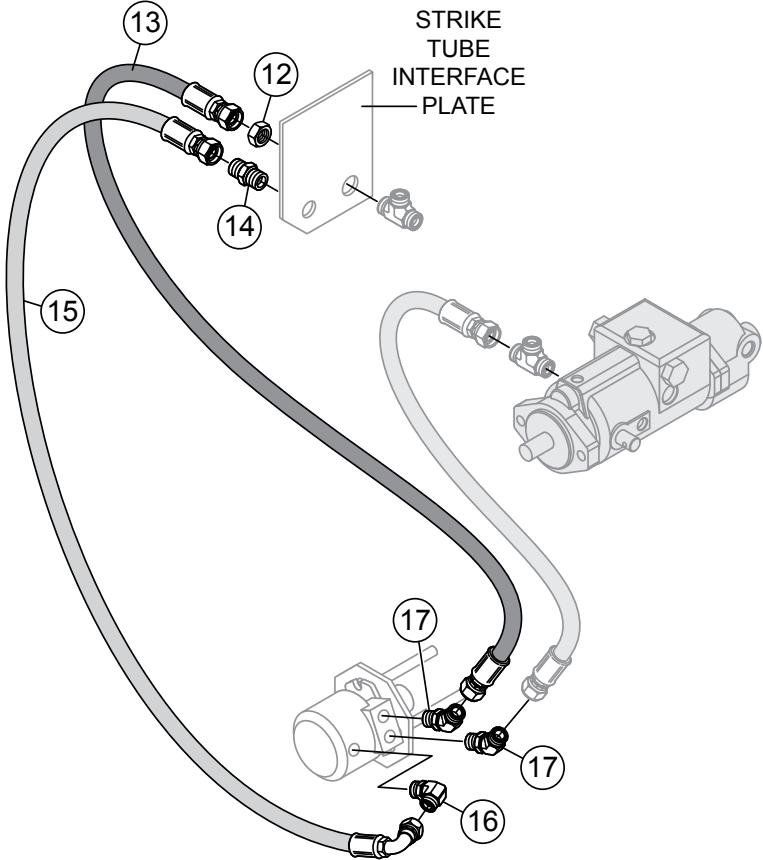
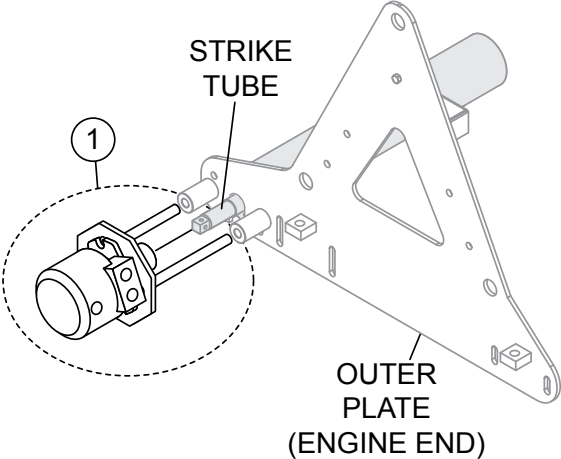
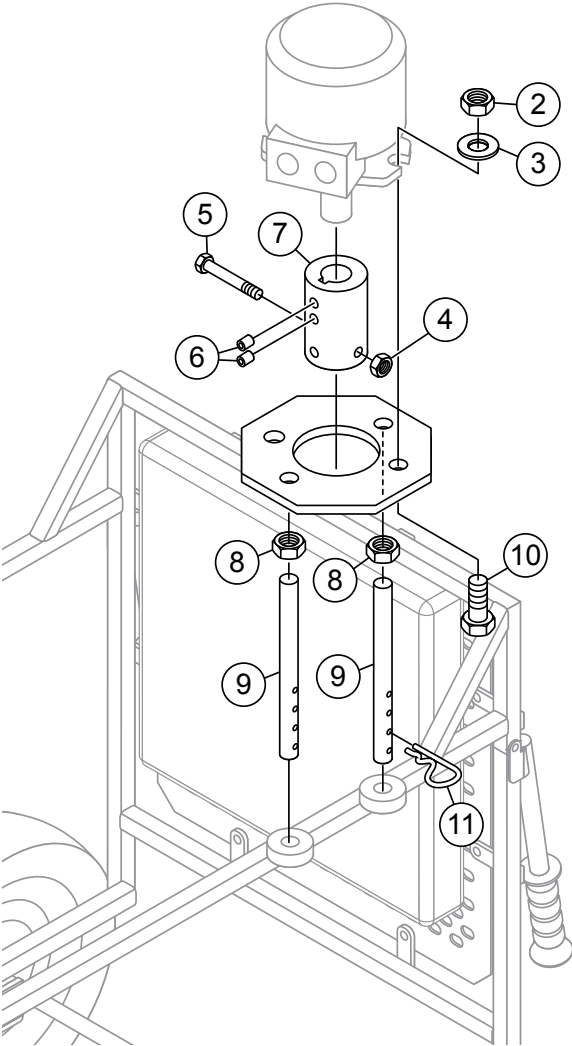


## LOOP FLUSHING VALVE ASSY.

---

<u>NO.</u>	<u>PART NO.</u>	<u>PART NAME</u>	<u>QTY.</u>	<u>REMARKS</u>
1	16594	VALVE, LOOP FLUSHING	1	
2	16721	SCREW, HHC 3/8-24 X 1-3/4	2	
3	11722	FITTING, 90 6MJ-6MO	1	
4	11721	FITTING, STR 6MJ-6MO	2	
5	16613	HOSE ASM, 6FJSWX-6FJSW90°	1	
6	16328	FITTING, STR 6MJ-12FJ	1	

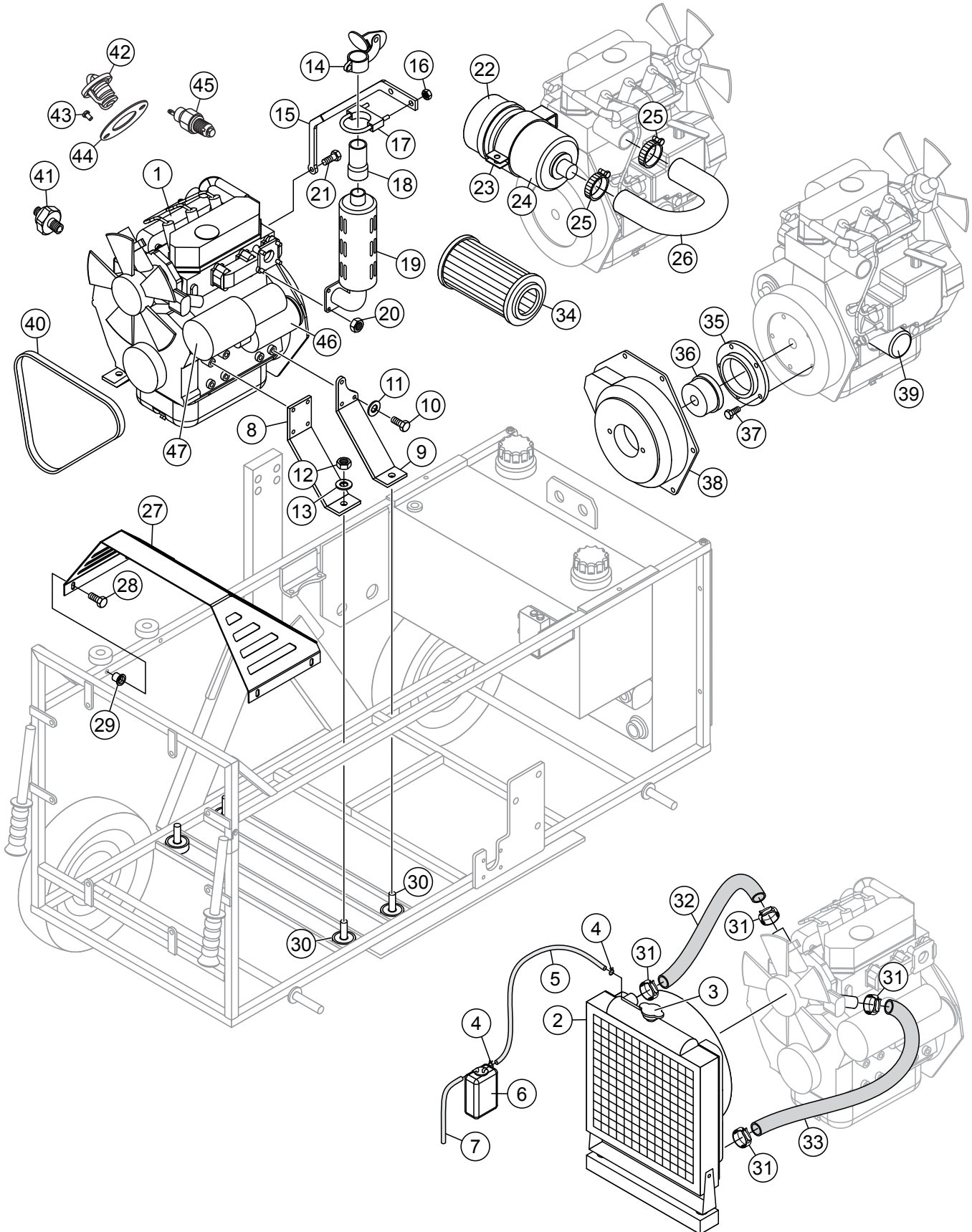
# STRIKE TUBE MOTOR ASSY.



## STRIKE TUBE MOTOR ASSY.

<u>NO.</u>	<u>PART NO.</u>	<u>PART NAME</u>	<u>QTY.</u>	<u>REMARKS</u>
1	16409	MOTOR, PARKER 110A-106-A-O .....	1 .....	INCLUDES ITEMS W/@
2@	16629	NUT, NYLOC 1/2-13 GD 8	2	
3@	16630	WASHER, FLAT SAE 1/2 HI STREN	2	
4@	10024	NUT, NYLOC 1/4-20	1	
5@	4538	SCREW, HHC 1/4-20 X 2-1/2 GR 5	1	
6@	0457	SCREW, SHS 3/8-24 X 1/2 CUP POINT, ZINC	2	
7@	16298	COUPLING, STRIKER TUBE	2	
8@	36297	NUT, JAM 5/8-18 X .300	2	
9@	26293	PIN, FRONT MOTOR	2	
10@	16526	SCREW, HHC 1/2-13 X 1-3/4 GRD 8	2	
11@	7170	PIN, HITCH CLIP, 5/32 X 3-5/16	1	
12	26896	FITTING, NUT 12 BLKHD JAM	1	
13	16575	HOSE, 75" OAL 5/8HOSE-10FJX12FJ	1	
14	16333	FITTING, STR 6MJ-6MJ BLKHD UNION		
15	16576	HOSE, 3/8X78" - 3/8FJ X 45°3/8FJ	1	
16	16581	FITTING, 90 6MJ-4MO	1	
17	16336	FITTING, 45 10MJ-10MO	2	

# ENGINE ASSY.

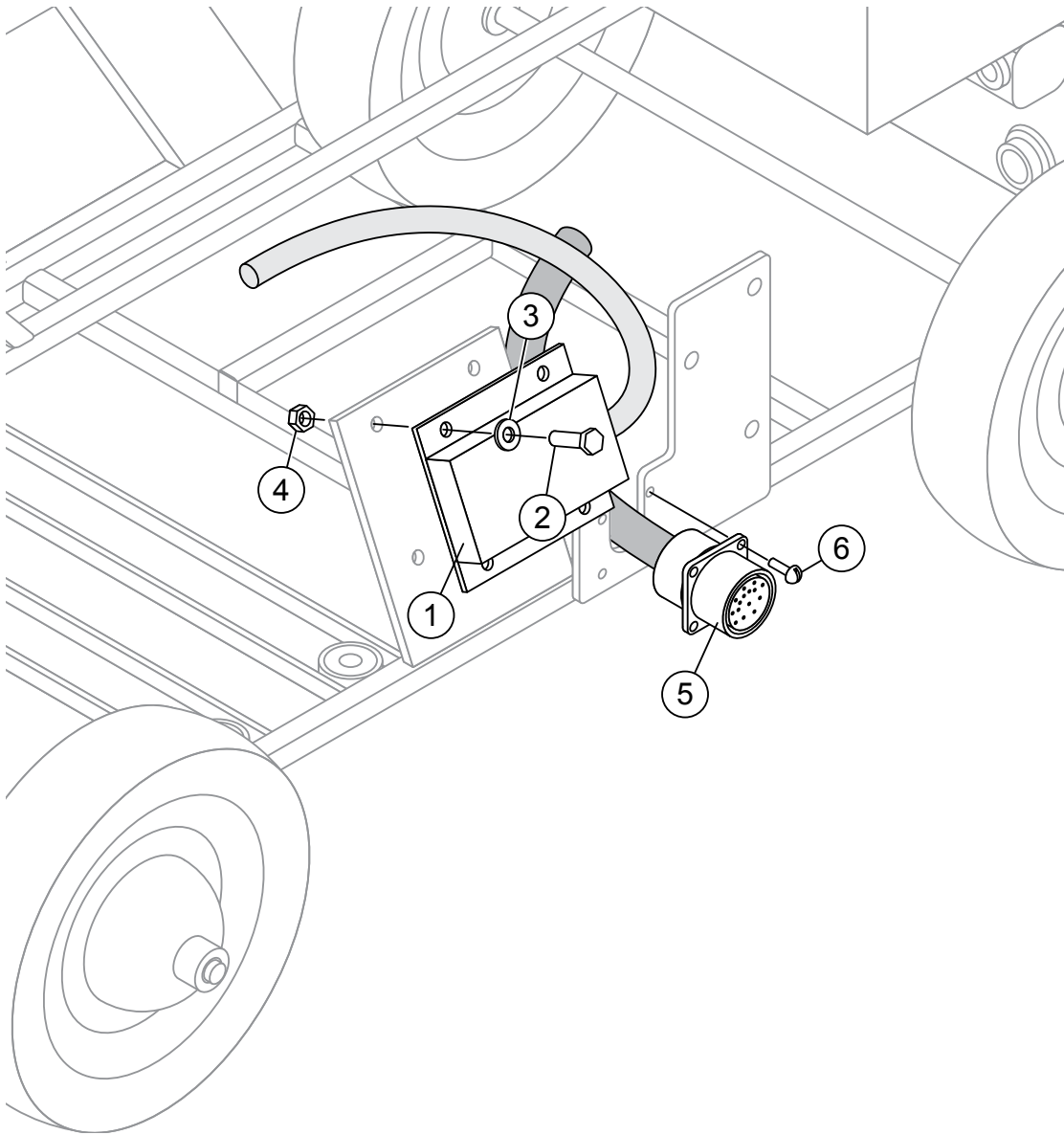


# ENGINE ASSY.

<u>NO.</u>	<u>PART NO.</u>	<u>PART NAME</u>	<u>QTY.</u>	<u>REMARKS</u>
1	26991	ENGINE, 26HP DIESEL-DM950D-C BRIGGS	1	
2	825574	RADIATOR	1	
3	820258	CAP, RADIATOR	1	
4	820257	CLAMP	2	
5	825697	HOSE, CLAMP ASSY	1	
6	825462	TANK, RESERVE	1	
7	825697	HOSE, CLAMP ASSY	1	
8	820833	MOUNT, ENGINE	2	
9	820832	MOUNT, ENGINE	2	
10	820024	BOLT	14	
11	0300 B	WASHER, FLAT SAE 5/16	14	
12	10133	NUT, NYLOC 3/8-16	4	
13	10136	WASHER, FLAT 3/8 SAE	4	
14	36060	RAIN CAP, 1-1/2 ID	1	
15	26998	BRACE, EXHAUST	1	
16	5283	NUT, NYLOC 5/16-18	2	
17	2534	CLAMP, ASM 1-3/4 MUFFLER	1	
18	36054	EXTENSION, MUFFLER	1	
19	825200	MUFFLER	1	
20	820178	NUT METRIC HEX	4	
21	2866	SCREW, HHC M8-1.25 X 20MM GR8.8	1	
22	825117	COVER, AIR CLEANER	1	
23	820230	CLAMP, AIR CLEANER	1	
24	825117	AIR CLEANER	1	
25	10434	CLAMP, HOSE WORM #32 1-9/16-2	2	
26	820556	HOSE, AIR CLEANER	1	
27	26989	GUARD, FAN	1	
28	0730	SCREW, HHC 1/4-20 X 1	4	
29	19266	NUT, BLIND 1/4-20 X 10GA	4	
30	16406	ISOLATOR, VIBRATION	4	
31	26405	CLAMP, HOSE WORM #20 13/16 - 1-3/4	4	
32	825134	HOSE, RADIATOR, UPPER, OUTLET	1	
33	825133	HOSE, RADIATOR, LOWER, INLET	1	
34	M113621	FILTER, AIR CLEANER	1	
35	11377	FLANGE, DRIVE DM950D	1	
36	11378	COUPLING, PUMP	1	
37	11821	SCREW, SHC M8-1.25 X 25 GR10.9	5	
38	36140	BELL HOUSING	1	
39	820314	FILTER, OIL	1	
40	821075	V-BELT	1	
41	821135	SWITCH, OIL PRESSURE	1	
42	825064	THERMOSTAT .....	1	INCLUDES ITEMS W@
43@	820185	SCREW, THERMOSTAT	2	
44@	820093	GASKET, OUTLET HOUSING	1	
45	820208	SWITCH, WATER TEMPERATURE	1	
46	825700	STARTER	1	
47	825084	ALTERNATOR	1	

# ENGINE CONTROLLER / POWER CABLE ASSY.

---



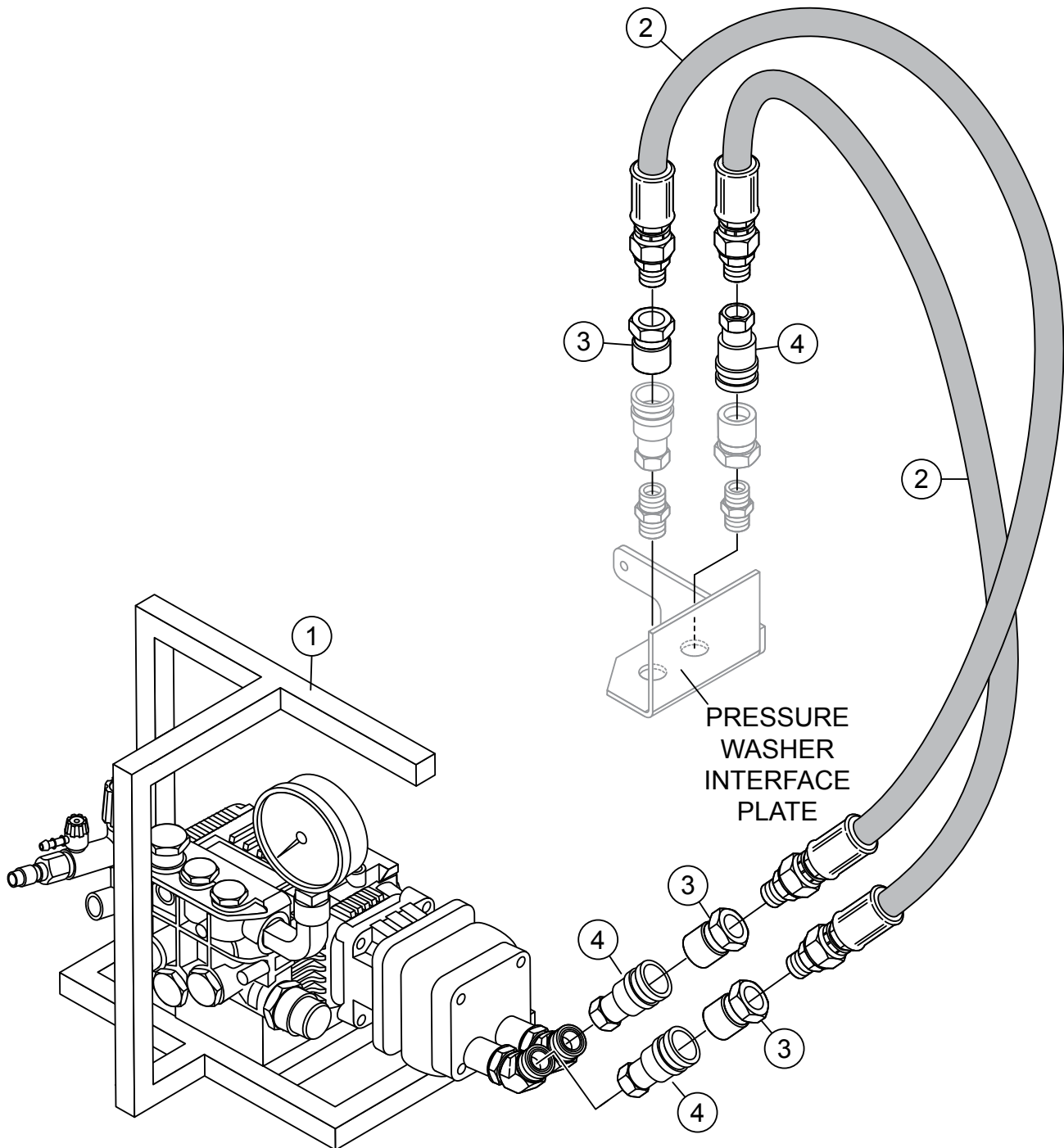


## **ENGINE CONTROLLER / POWER CABLE ASSY.**

---

<b><u>NO.</u></b>	<b><u>PART NO.</u></b>	<b><u>PART NAME</u></b>	<b><u>QTY.</u></b>	<b><u>REMARKS</u></b>
1	36767	CONTROLLER, ENGINE	1	
2	0730	SCREW, HHC 1/4-20 X 1	4	
3	0948	WASHER, FLAT SAE 1/4	4	
4	10024	NUT, NYLOC 1/4-20	4	
5	36018	WIRING ASSY.	1	
6	11151	SCREW, RHM #6-32 X 3/4	4	

# PRESSURE WASHER ASSY.

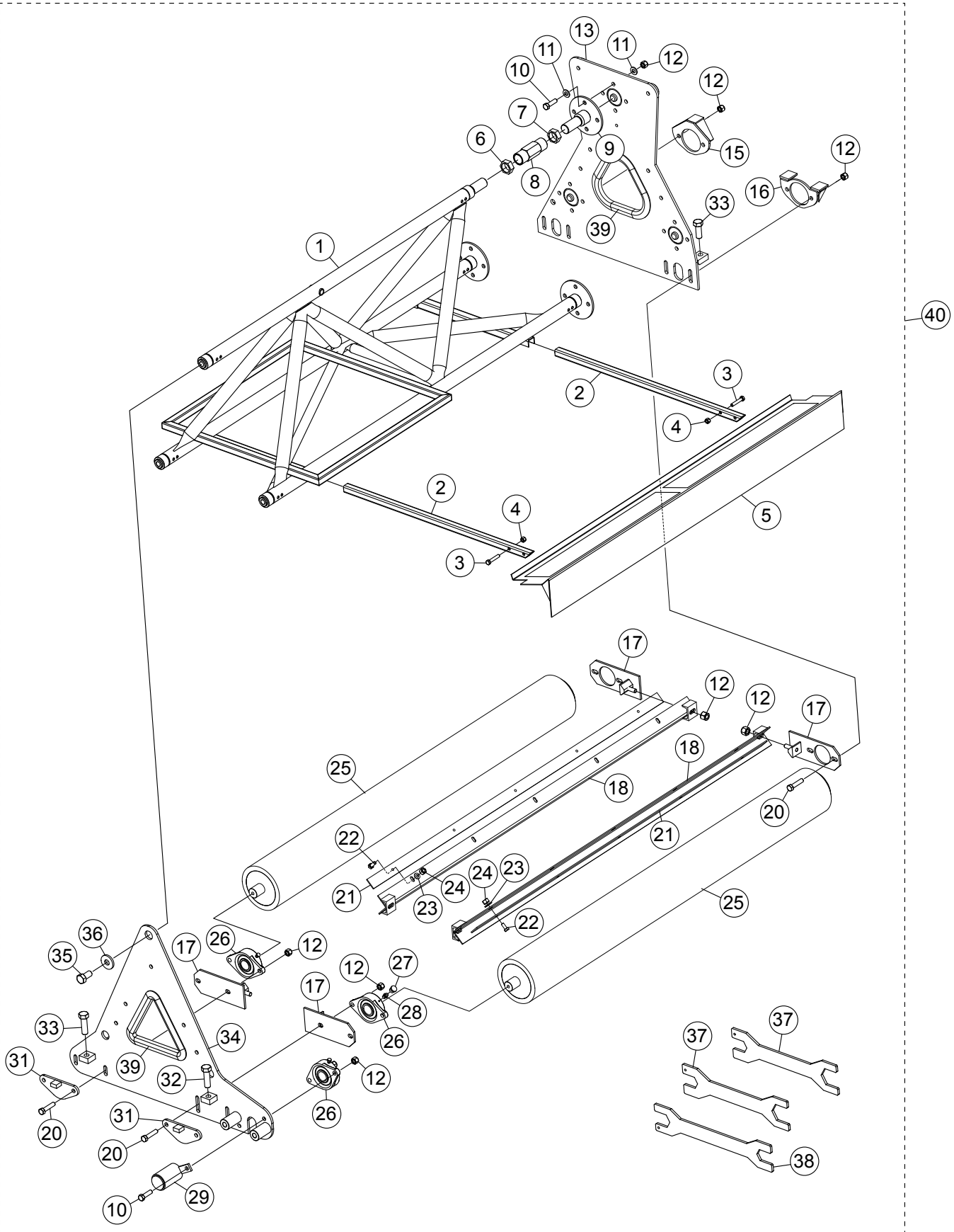


## **PRESSURE WASHER ASSY.**

---

<u>NO.</u>	<u>PART NO.</u>	<u>PART NAME</u>	<u>QTY.</u>	<u>REMARKS</u>
1	16741	PRESSURE WASHER	1	
2	16573	HOSE, OAL 74" 100R17 8SBX1/2 NMPTENDS	2	
3	16565	FITTING, QD PARKER H4-63 MALE 1/2FP	3	
4	16564	FITTING, QD PARKER H4-62 FEM 1/2FP	3	

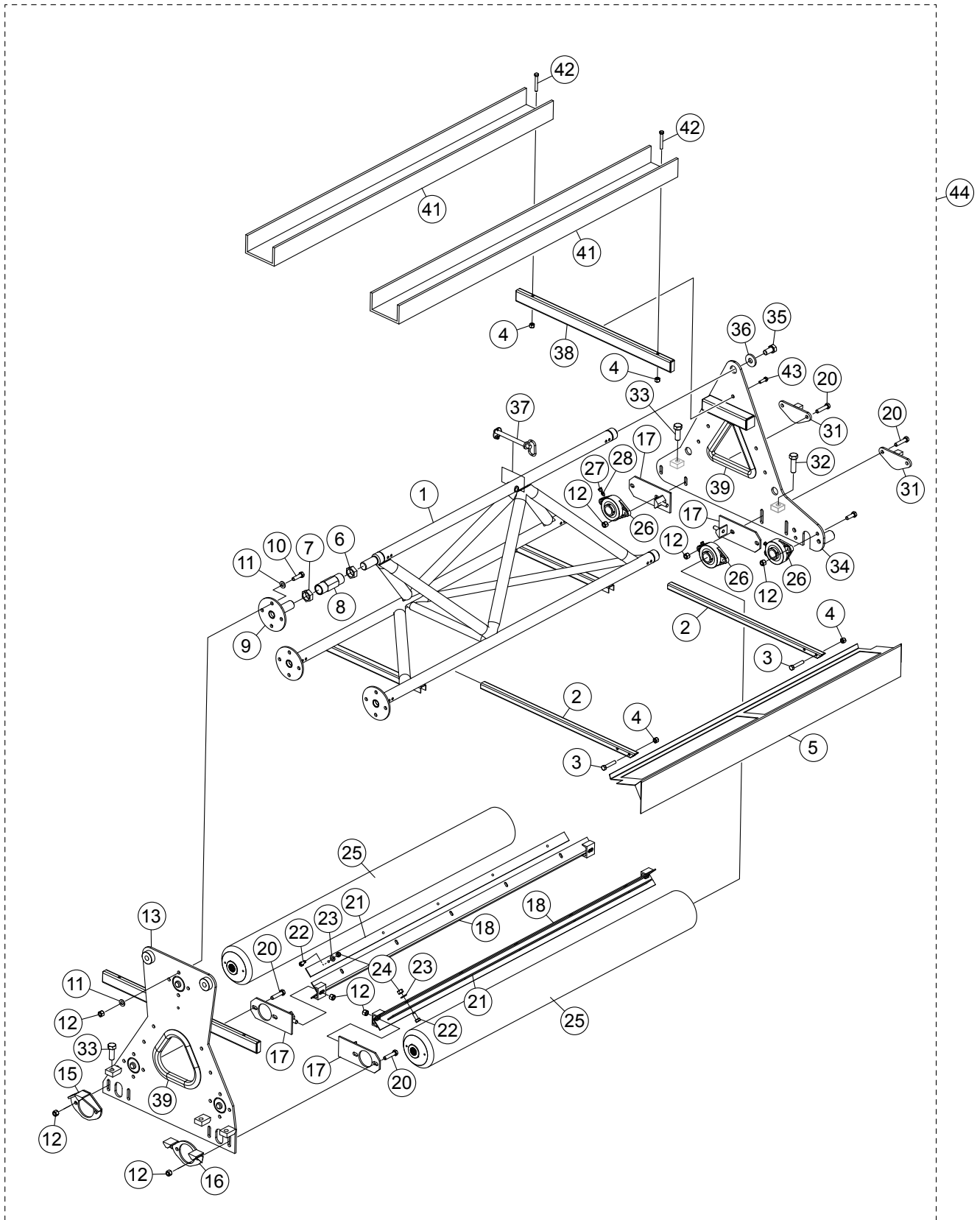
# 5' FRAME ASSY. (OPERATOR END)



## 5' FRAME ASSY. (OPERATOR END)

<u>NO.</u>	<u>PART NO.</u>	<u>PART NAME</u>	<u>QTY.</u>	<u>REMARKS</u>
1@	16547	FRAME SECTION, 5' OPER END	1	
2@	36477	ARM, SCRAPER 5'	2	
3@	1665	SCREW, HHC 3/8-16 X 2	4	
4@	10133	NUT, NYLOC 3/8-16	4	
5@	36461	SCRAPER, 5' OPER	1	
6@	16516	NUT, JAM 1-5/16-16 LEFT HAND	1	
7@	16515	NUT, JAM 1-5/16-16 RIGHT HAND	1	
8@	16514	TURNBUCKLE 1-5/16-16	1	
9@	16667	TURNBUCKLE, DRIVE TUBE	1	
10@	16526	SCREW, HHC 1/2-13 X 1-3/4 GRD 8	14	
11@	16630	WASHER, FLAT SAE 1/2 HI STREN	24	
12@	16629	NUT, NYLOC 1/2-13 GD 8	22	
13@	36784	PLATE, INNER W/A CE 2 MOTOR	1	
15@	36779	MOUNT, HYD MOTOR REAR	1	
16@	26004	PLATE, 2-DRIVE MOTOR	1	
17@	16974	MOUNT, SOLID WIPER 2-MOTOR	4	
18@	16658	WIPER, SOLID	2	
20@	16781	SCREW, HHC 1/2-13 X 2-1/4 GD8	8	
21@	16868	BAR, SCRAPER	2	
22@	0655	SCREW, HHC 5/16-18 X 3/4	10	
23@	0300 B	WASHER, FLAT SAE 5/16	10	
24@	5283	NUT, NYLOC 5/16-18	10	
25@	26030	TUBE, FRONT & REAR	2	
26@	16223	BEARING, SEAL MASTER	3	
27@	1162 A	CAP, GREASE ZERK, #2 YELLOW	3	
28@	2621	FITTING, GREASE ZERK STR 1/4-28	3	
29@	36620	GUARD, ST SHAFT	1	
31@	16538	BEARING ADJUSTMENT SHORT	2	
32@	16890	SCREW, HHC TAP 3/4 X 2-1/2 GD5 GLDPLT	1	
33@	16529	SCREW, HHC 3/4-10 X 2 GD 8	4	
34@	26000	PLATE, OUTER CE 2-MOTOR	1	
35@	16523	SCREW, HHC 3/4-10 X 1-1/2 GD 8	3	
36@	16255	MOUNT, AXLE POWER UNIT	3	
37@	16497	WRENCH, LARGE DOUBLE	2	
38@	16496	WRENCH, SMALL DOUBLE	1	
39@	60055	TRIM EDGE, 5/16 X 3'	2	
40	26329	5' FRAME SECTION OP END.....	1.....	INCLUDES ITEMS W/@

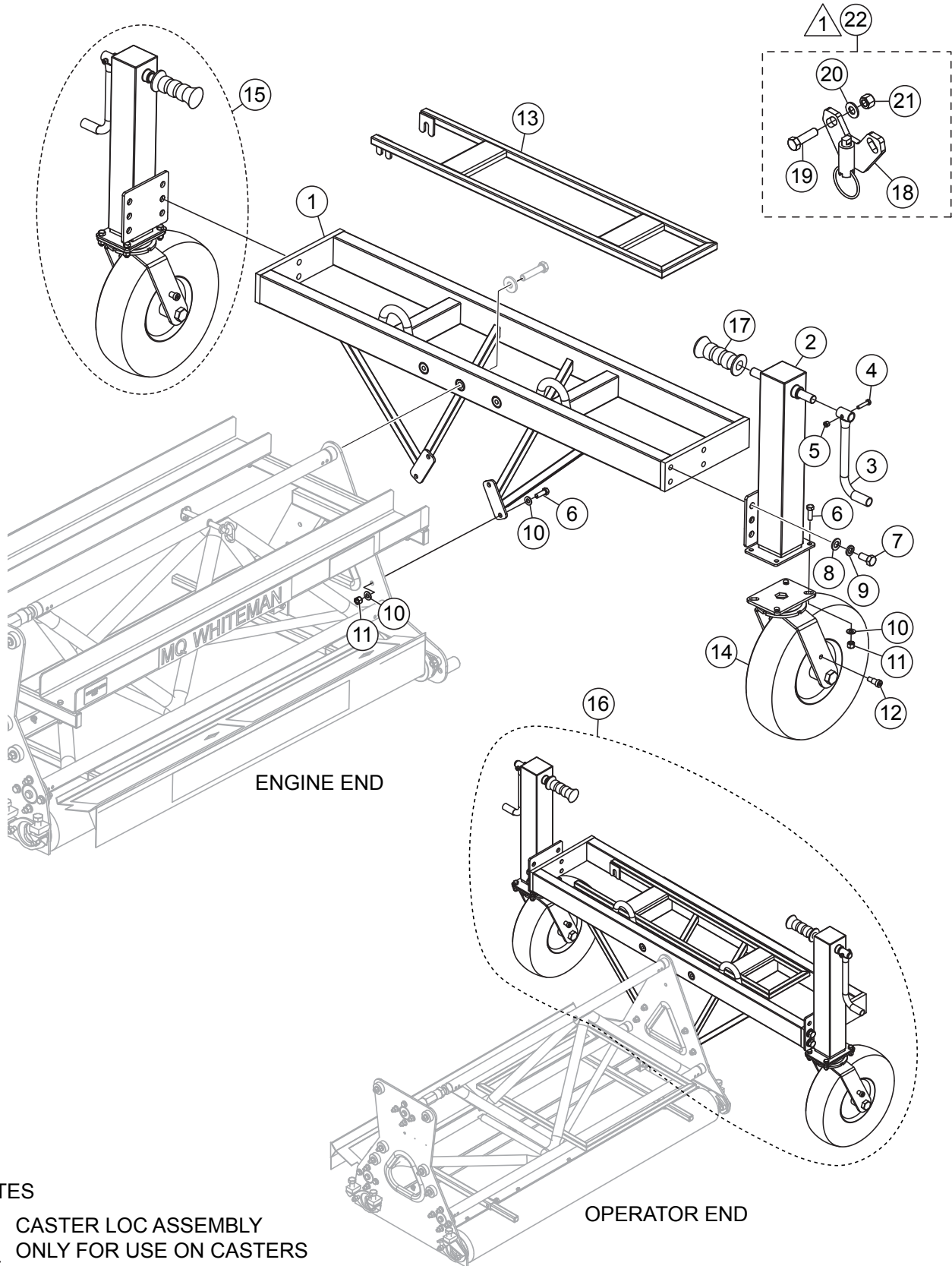
# 5' FRAME ASSY. (ENGINE END)



## 5' FRAME ASSY. (ENGINE END)

<u>NO.</u>	<u>PART NO.</u>	<u>PART NAME</u>	<u>QTY.</u>	<u>REMARKS</u>
1@	16551	FRAME SECTION, 5' ENG END	1	
2@	36477	ARM, SCRAPER 5'	2	
3@	1665	SCREW, HHC 3/8-16 X 2	4	
4@	10133	NUT, NYLOC 3/8-16	8	
5@	36462	SCRAPER, 5' ENG	1	
6@	16516	NUT, JAM 1-5/16-16 LEFT HAND	1	
7@	16515	NUT, JAM 1-5/16-16 RIGHT HAND	1	
8@	16514	TURNBUCKLE 1-5/16-16	1	
9@	16667	TURNBUCKLE, DRIVE TUBE	1	
10@	16526	SCREW, HHC 1/2-13 X 1-3/4 GRD 8	12	
11@	16630	WASHER, FLAT SAE 1/2 HI STREN	24	
12@	16629	NUT, NYLOC 1/2-13 GD 8	22	
13@	36783	PLATE, INNER W/A-PU 2 MOTOR	1	
15@	36779	MOUNT, HYD MOTOR REAR	1	
16@	26004	PLATE, 2-DRIVE MOTOR	1	
17@	16974	MOUNT, SOLID WIPER 2-MOTOR	4	
18@	16658	WIPER, SOLID	2	
20@	16781	SCREW, HHC 1/2-13 X 2-1/4 GD8	8	
21@	16868	BAR, SCRAPER	2	
22@	0655	SCREW, HHC 5/16-18 X 3/4	10	
23@	0300 B	WASHER, FLAT SAE 5/16	10	
24@	5283	NUT, NYLOC 5/16-18	10	
25@	26030	TUBE, FRONT & REAR	2	
26@	16223	BEARING, SEAL MASTER	3	
27@	1162 A	CAP, GREASE ZERK, #2 YELLOW	3	
28@	2621	FITTING, GREASE ZERK STR 1/4-28	3	
31@	16538	BEARING ADJUSTMENT SHORT	2	
32@	16890	SCREW, HHC TAP 3/4 X 2-1/2 GD5 GLDPLT	1	
33@	16529	SCREW, HHC 3/4-10 X 2 GD 8	4	
34@	26002	PLATE, OUTER W/A PU 2-MOTOR	1	
35@	16523	SCREW, HHC 3/4-10 X 1-1/2 GD 8	3	
36@	16255	MOUNT, AXLE POWER UNIT	3	
37@	19280	PIN, 5/8 X 6	1	
38@	26977	MOUNT, ENGINE OUTER	1	
39@	60055	TRIM EDGE, 5/16 X 3'	2	
41@	16446	MOUNT, POWER UNIT CHANNEL	2	
42@	1121	SCREW, HHC 3/8-16 X 2-3/4	4	
43@	1023	SCREW, HHC 3/8-16 X 1-1/4 GR 5	1	
44	26330	ENGINE/FRAME ASSY.....	1.....	INCLUDES ITEMS W/@

# CASTER ASSY.



## NOTES



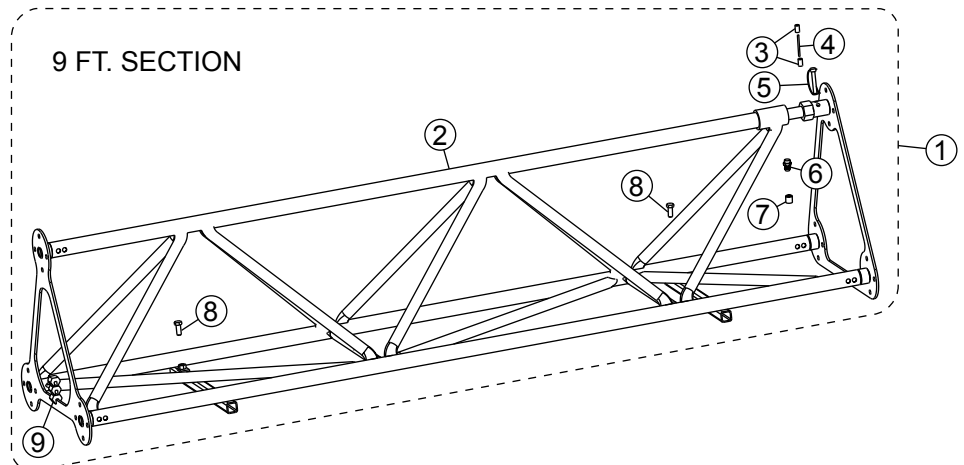
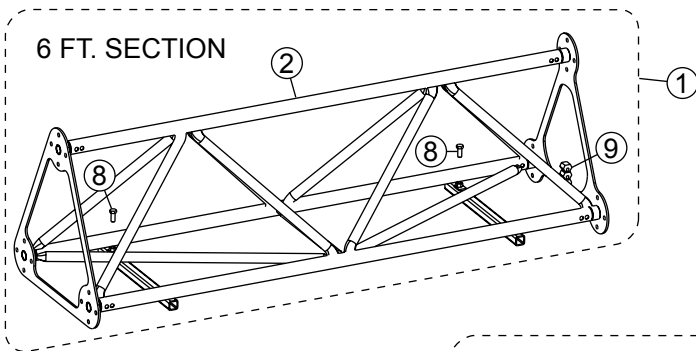
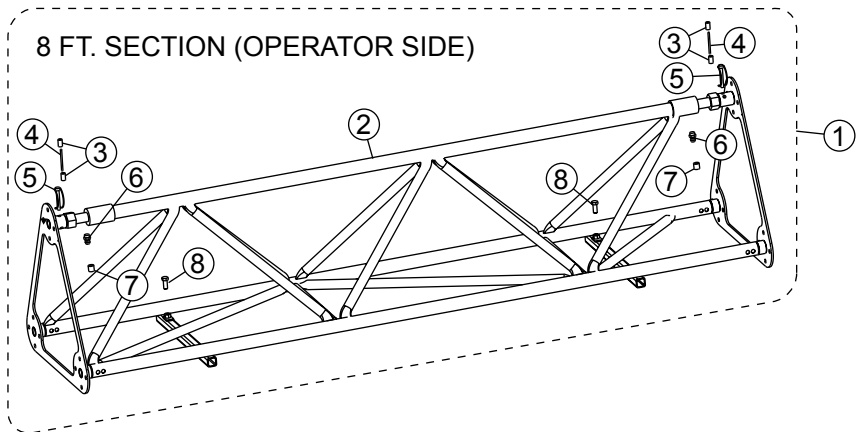
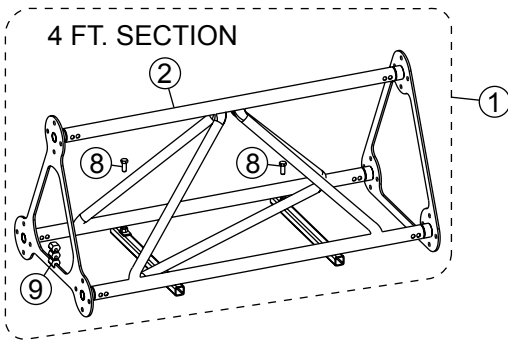
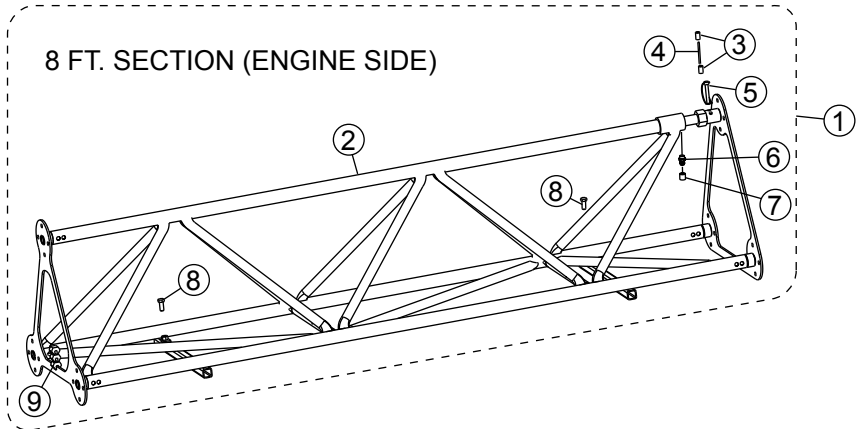
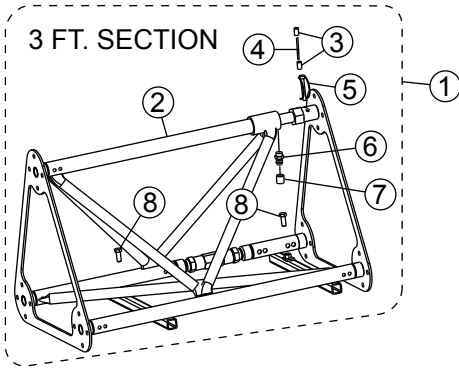
CASTER LOC ASSEMBLY  
ONLY FOR USE ON CASTERS  
WITH ROUND BASES



## CASTER ASSY.

<u>NO.</u>	<u>PART NO.</u>	<u>PART NAME</u>	<u>QTY.</u>	<u>REMARKS</u>
1@	26588	BRACKET,CASTER	2	
2%@	16683	JACK,SCREED	4	
3%@	16685	HANDLE, JACK	4	
4%@	9154	SCREW, HHC 3/8-16 X 1 3/4	4	
5%@	10133	NUT, NYLOC 3/8-16	4	
6%@	16525	SCREW, HHC 1/2-13 X 1 1/2 GD 8	24	
7%@	16523	SCREW, HHC 3/4-10 X 1.1/2 GD 8	16	
8%@	8151	WASHER, FLAT SAE 3/4	16	
9%@	4388	WASHER, LOCK, 3/4	16	
10%@	16630	WASHER, FLAT SAE 1/2 HI STREN	24	
11%@	16629	NUT, NYLOC 1/2-13 GD 8	24	
12%@	16627	BOLT,SHOULDER 5/8 x 3/4 PLTD	8	
13@	16378	PULL HANDLE	2	
14@%	16231	CASTER	2	
15@	26332	JACK ASSY .....	4.....	INCLUDES ITEMS W/%
16	26485	CASTER ASSY.....	2.....	INCLUDES ITEMS W/@
17@%	0189	GRIP, HANDLE	4	
18#	36862	LOC, CASTER	1	
19#	16526	SCREW, HHC 1/2-13 X 1-3/4 GRD 8	2	
20#	16630	WASHER, FLAT SAE 1/2 HI STREN	2	
21#	16629	NUT, NYLOC 1/2-13 GD 8	2	
22	36832	CASTER LOC ASSY.....	1.....	INCLUDES ITEMS W/# SEE NOTE ON DRAWING

# FRAME SECTION ASSEMBLIES



# FRAME SECTION ASSEMBLIES

## 3 ft. Frame Section

<u>NO.</u>	<u>PART NO.</u>	<u>PART NAME</u>	<u>QTY.</u>	<u>REMARKS</u>
1	36221	3' FRAME SECTION .....	1	INCLUDES ITEMS W/@
2@	16544	FRAME, 3'	1	
3@	19485	FERRULE, COPPER, 1/16	2	
4@	60035	WIRE ROPE, 1/16 DIA GALVANIZED .....	1	FOOT LENGTHS
5@	16743	PIN, SNAP 3/8 X 2-1/2 GRIP LG	1	
6@	2621	FITTING, GREASE ZERK STR 1/4-28	1	
7@	1162 A	CAP, GREASE ZERK, #2 YELLOW	1	
8@	16524	SCREW, HHC 1/2-13 X 1-1/4 GD 8	2	

## 4 ft. Frame Section

<u>NO.</u>	<u>PART NO.</u>	<u>PART NAME</u>	<u>QTY.</u>	<u>REMARKS</u>
1	36225	4' FRAME SECTION .....	1	INCLUDES ITEMS W/#
2#	16546	FRAME, 4'	1	
8#	16524	SCREW, HHC 1/2-13 X 1-1/4 GD 8	2	
9#	60055	TRIM EDGE, 1/4" (BLT 1/4 X 50) .....	3	FOOT LENGTHS

## 6 ft. Frame Section

<u>NO.</u>	<u>PART NO.</u>	<u>PART NAME</u>	<u>QTY.</u>	<u>REMARKS</u>
1	36226	6' FRAME SECTION .....	1	INCLUDES ITEMS W/\$
2\$	16548	FRAME, 6'	1	
8\$	16524	SCREW, HHC 1/2-13 X 1-1/4 GD 8	2	
9\$	60055	TRIM EDGE, 1/4" (BLT 1/4 X 50) .....	3	FOOT LENGTHS

## 8 ft. Frame Section (Engine Side)

<u>NO.</u>	<u>PART NO.</u>	<u>PART NAME</u>	<u>QTY.</u>	<u>REMARKS</u>
1	36223	8' FRAME SECTION, ENGINE SIDE .....	1	INCLUDES ITEMS W/%
2%	16550	FRAME, 8' ENG END	1	
3%	19485	FERRULE, COPPER, 1/16	2	
4%	60035	WIRE ROPE, 1/16 DIA GALVANIZED .....	1	FOOT LENGTHS
5%	16743	PIN, SNAP 3/8 X 2-1/2 GRIP LG	1	
6%	2621	FITTING, GREASE ZERK STR 1/4-28	1	
7%	1162 A	CAP, GREASE ZERK, #2 YELLOW	1	
8%	16524	SCREW, HHC 1/2-13 X 1-1/4 GD 8	2	
9%	60055	TRIM EDGE, 1/4" (BLT 1/4 X 50) .....	3	FOOT LENGTHS

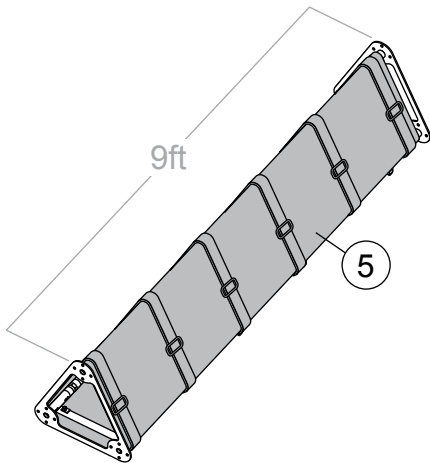
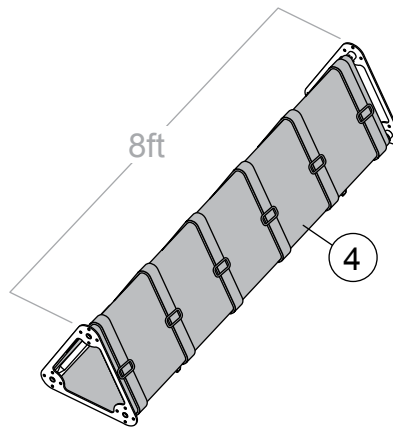
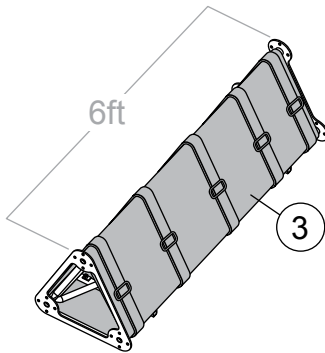
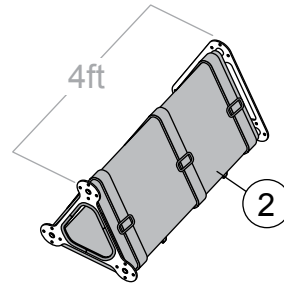
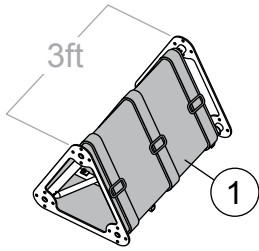
## 8 ft. Frame Section (Operator Side)

<u>NO.</u>	<u>PART NO.</u>	<u>PART NAME</u>	<u>QTY.</u>	<u>REMARKS</u>
1	36222	8' FRAME SECTION, OPERATOR SIDE .....	1	INCLUDES ITEMS W/^
2^	16549	FRAME, 8' OPER END	1	
3^	19485	FERRULE, COPPER, 1/16	4	
4^	60035	WIRE ROPE, 1/16 DIA GALVANIZED .....	2	FOOT LENGTHS
5^	16743	PIN, SNAP 3/8 X 2-1/2 GRIP LG	2	
6^	2621	FITTING, GREASE ZERK STR 1/4-28	2	
7^	1162 A	CAP, GREASE ZERK, #2 YELLOW	2	
8^	16524	SCREW, HHC 1/2-13 X 1-1/4 GD 8	2	

## 9 ft. Frame Section (Engine Side)

<u>NO.</u>	<u>PART NO.</u>	<u>PART NAME</u>	<u>QTY.</u>	<u>REMARKS</u>
1	36224	9' FRAME SECTION .....	1	INCLUDES ITEMS W/*
2*	16550	FRAME, 9'	1	
3*	19485	FERRULE, COPPER, 1/16	2	
4*	60035	WIRE ROPE, 1/16 DIA GALVANIZED .....	1	FOOT LENGTHS
5*	16743	PIN, SNAP 3/8 X 2-1/2 GRIP LG	1	
6*	2621	FITTING, GREASE ZERK STR 1/4-28	1	
7*	1162 A	CAP, GREASE ZERK, #2 YELLOW	1	
8*	16524	SCREW, HHC 1/2-13 X 1-1/4 GD 8	2	
9*	60055	TRIM EDGE, 1/4" (BLT 1/4 X 50) .....	3	FOOT LENGTHS

# TARP ASSEMBLIES

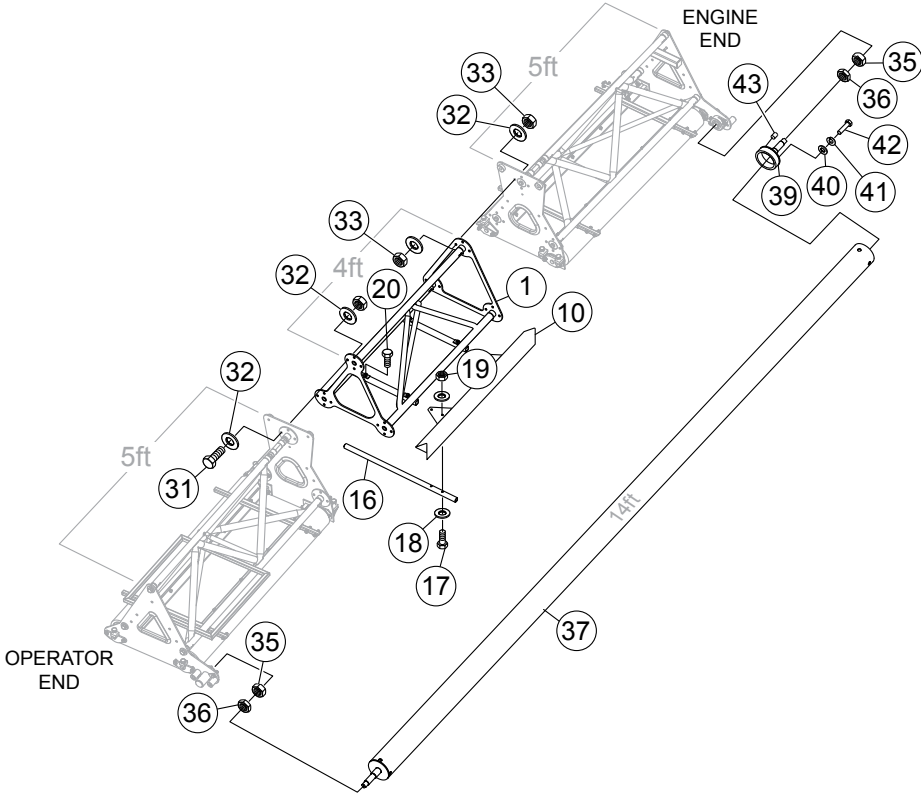


## TARP ASSEMBLIES

---

<u>NO.</u>	<u>PART NO.</u>	<u>PART NAME</u>	<u>QTY.</u>	<u>REMARKS</u>
1	26317	3' TARP	1	
2	26318	4' TARP	1	
3	26319	6' TARP	1	
4	26320	8' TARP	1	
5	26321	9' TARP	1	

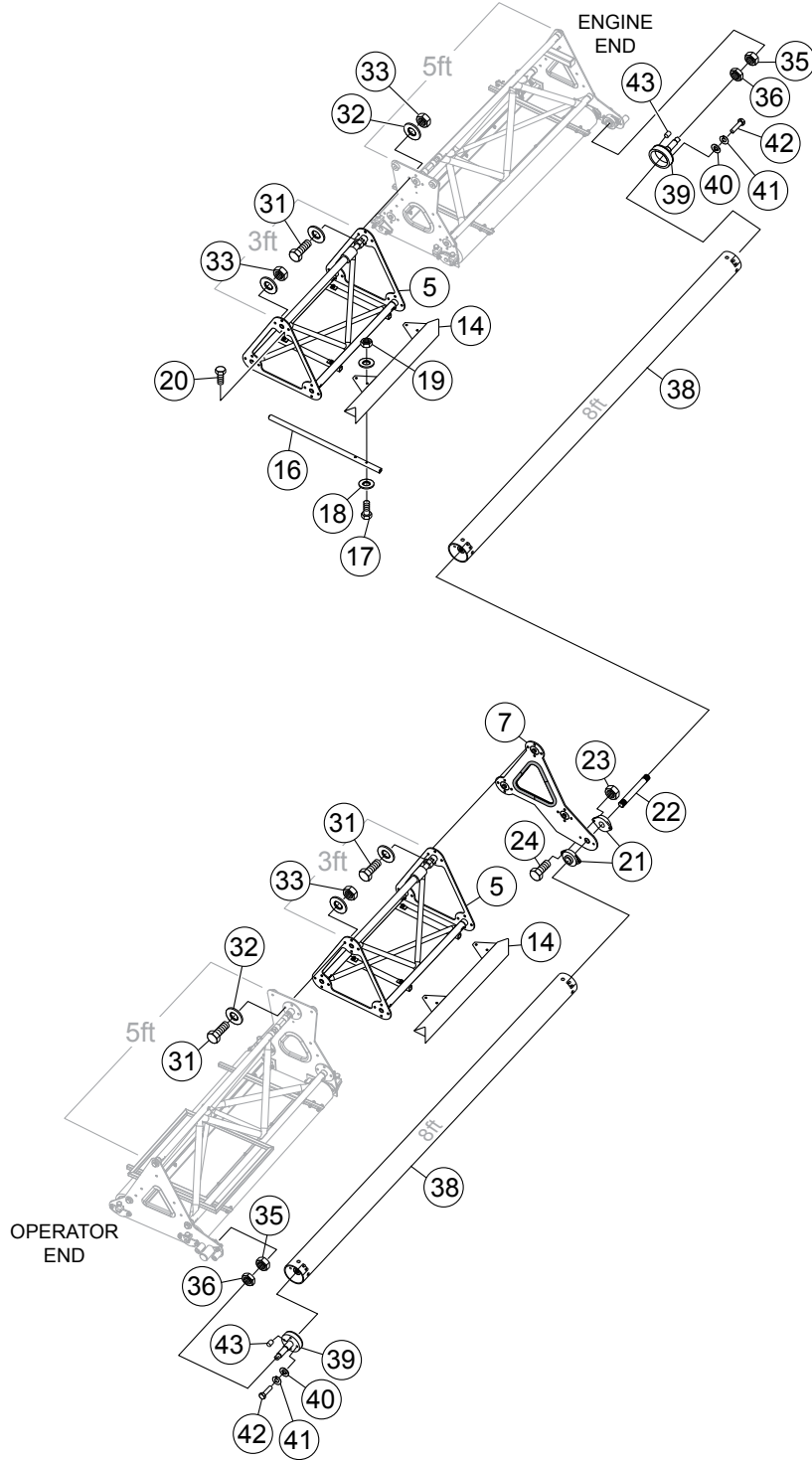
**WRS1400LP ASSY.**



## WRS1400LP ASSY.

---

<u>NO.</u>	<u>PART NO.</u>	<u>PART NAME</u>	<u>QTY.</u>	<u>REMARKS</u>
1	26028	4' FRAME SECTION SPECIAL	1	
10	26212	SCRAPER, 4'	1	
16	16695	ARM, SCRAPER	2	
17	0655	SCREW, 5/16 X 3/4	4	
18	0300 B	WASHER, FLAT 5/16	8	
19	5283	NUT, NYLOC 5/16	4	
20	16524	SCREW, HHC 1/2-13 X 1-1/4 GD 8	2	
31	16526	SCREW, HHC 1/2-13 X 1-3/4	24	
32	16630	WASHER, FLAT 1/2"	48	
33	16629	NUT, NYLOC 1/2-13	24	
35	16458	NUT, HEX 1-5/8 X 12	2	
36	16459	NUT, HEX JAM 1-5/8 - 12 PLTD YLR ZNC	2	
37	36527	TUBE, STRIKE 14' - .25 WALL	1	
39	36163	HUB, AUXILIARY .25 WALL	1	
40	16630	WASHER, FLAT 1/2 SAE HARDENED	2	
41	5054 A	WASHER, LOCK 1/2 MED	2	
42	16781	SCREW, HHC 1/2-13 X 2-1/4	2	
43	16786	SCREW, SHS 1/2-13 X 3/4	2	

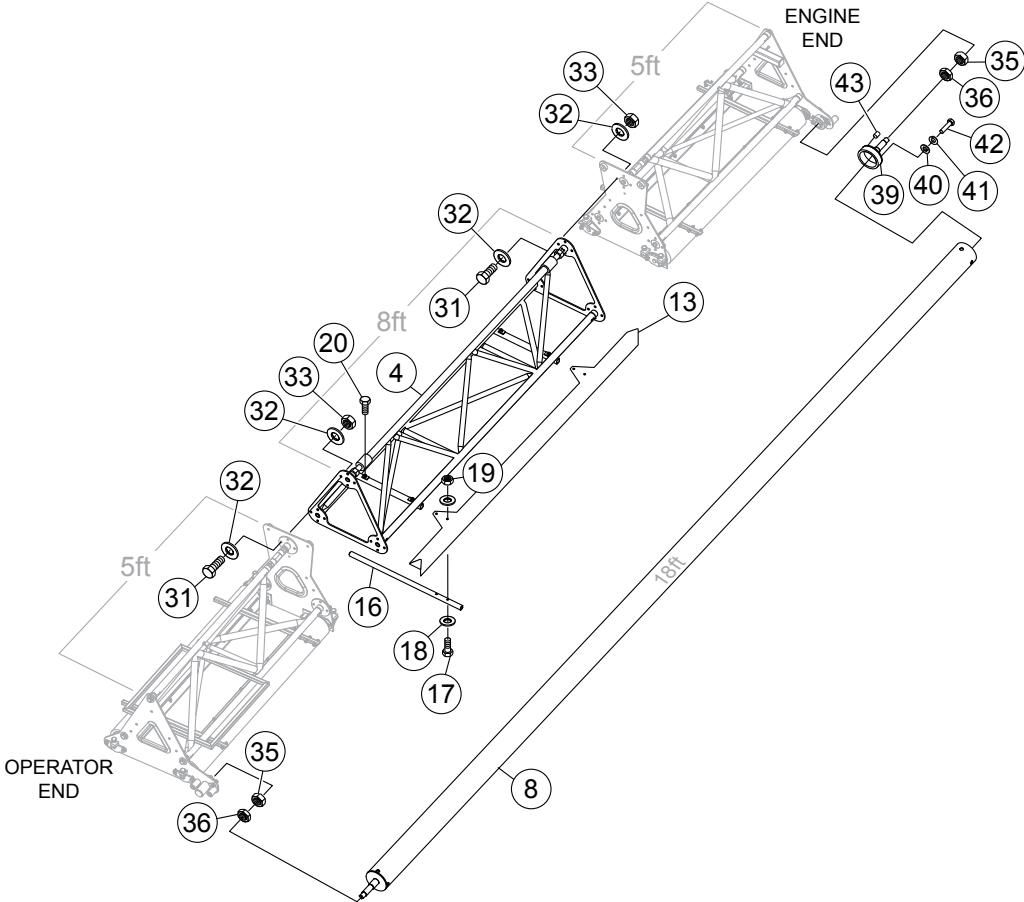




## WRS1600LP ASSY.

<u>NO.</u>	<u>PART NO.</u>	<u>PART NAME</u>	<u>QTY.</u>	<u>REMARKS</u>
5	36221	3' FRAME SECTION	2	
7	36227	MIDDLE BRACKET	1	
14	26209	SCRAPER, 3'	2	
16	16695	ARM, SCRAPER	4	
17	0655	SCREW, 5/16 X 3/4	8	
18	0300 B	WASHER, FLAT 5/16	16	
19	5283	NUT, NYLOC 5/16	8	
20	16524	SCREW, HHC 1/2-13 X 1-1/4 GD 8	4	
21	16224	BEARING, BROWNING VF2S-120M	2	
22	16222	SHAFT, SPLINED 10T	1	
23	16677	NUT, NYLOC 7/16-14 GD 8	2	
24	16676	SCREW, HHC 7/16-14 X 2" GD 8	2	
31	16526	SCREW, HHC 1/2-13 X 1-3/4	36	
32	16630	WASHER, FLAT 1/2"	72	
33	16629	NUT, NYLOC 1/2-13	36	
35	16458	NUT, HEX 1-5/8 X 12	2	
36	16459	NUT, HEX JAM 1-5/8 - 12 PLTD YLR ZNC	2	
38	36526	TUBE, STRIKE 8' - .25 WALL	2	
39	36163	HUB, AUXILIARY .25 WALL	2	
40	16630	WASHER, FLAT 1/2 SAE HARDENED	4	
41	5054 A	WASHER, LOCK 1/2 MED	4	
42	16781	SCREW, HHC 1/2-13 X 2-1/4	4	
43	16786	SCREW, SHS 1/2-13 X 3/4	4	

# WRS1800LP ASSY.

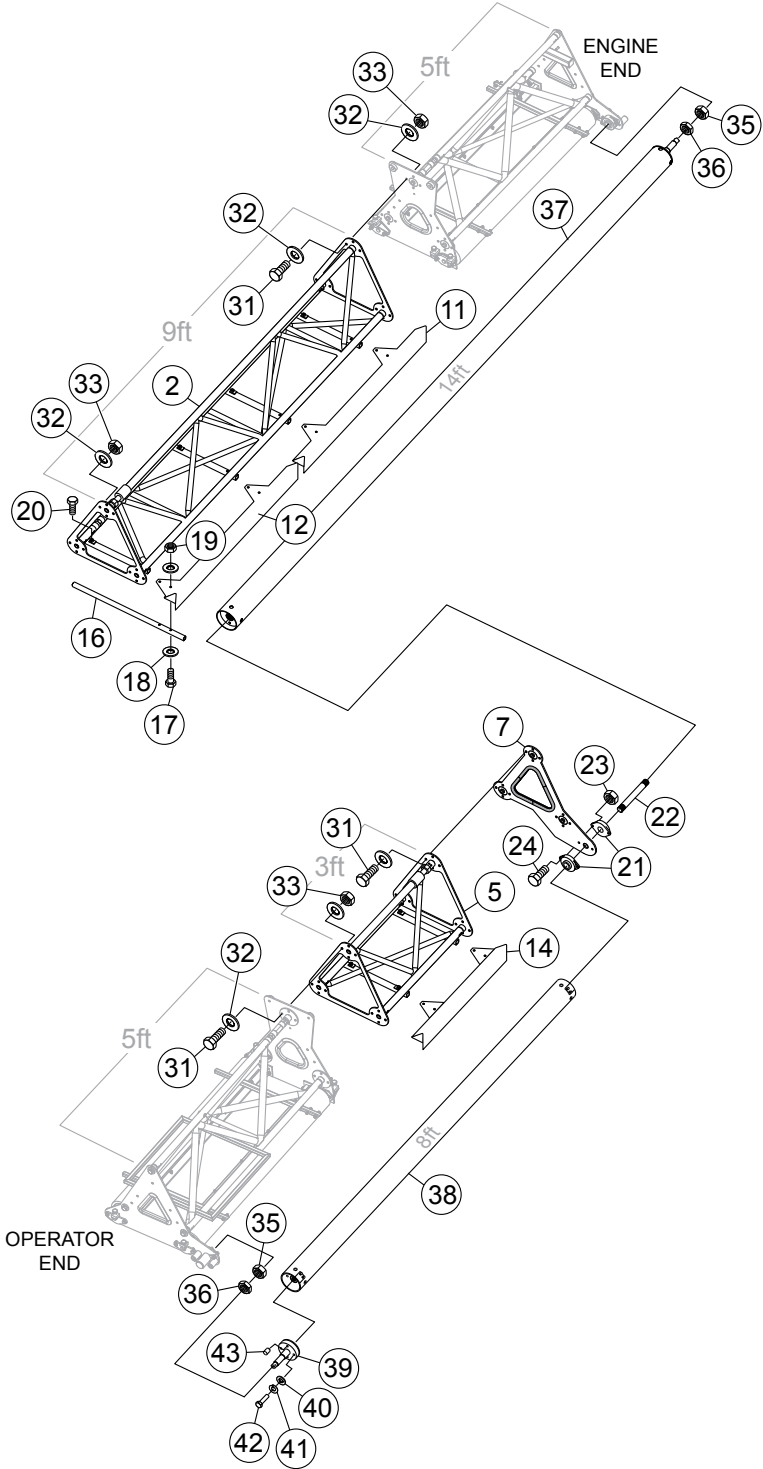


## WRS1800LP ASSY.

---

<u>NO.</u>	<u>PART NO.</u>	<u>PART NAME</u>	<u>QTY.</u>	<u>REMARKS</u>
4	36222	8' FRAME SECTION, OPERATOR END	1	
8	36529	TUBE, STRIKE 18' - .25 WALL	1	
13	26217	SCRAPER, 8'	1	
16	16695	ARM, SCRAPER	2	
17	0655	SCREW, 5/16 X 3/4	4	
18	0300 B	WASHER, FLAT 5/16	8	
19	5283	NUT, NYLOC 5/16	4	
20	16524	SCREW, HHC 1/2-13 X 1-1/4 GD 8	2	
31	16526	SCREW, HHC 1/2-13 X 1-3/4	24	
32	16630	WASHER, FLAT 1/2"	48	
33	16629	NUT, NYLOC 1/2-13	24	
35	16458	NUT, HEX 1-5/8 X 12	2	
36	16459	NUT, HEX JAM 1-5/8 - 12 PLTD YLR ZNC	2	
39	36163	HUB, AUXILIARY .25 WALL	1	
40	16630	WASHER, FLAT 1/2 SAE HARDENED	2	
41	5054 A	WASHER, LOCK 1/2 MED	2	
42	16781	SCREW, HHC 1/2-13 X 2-1/4	2	
43	16786	SCREW, SHS 1/2-13 X 3/4	2	

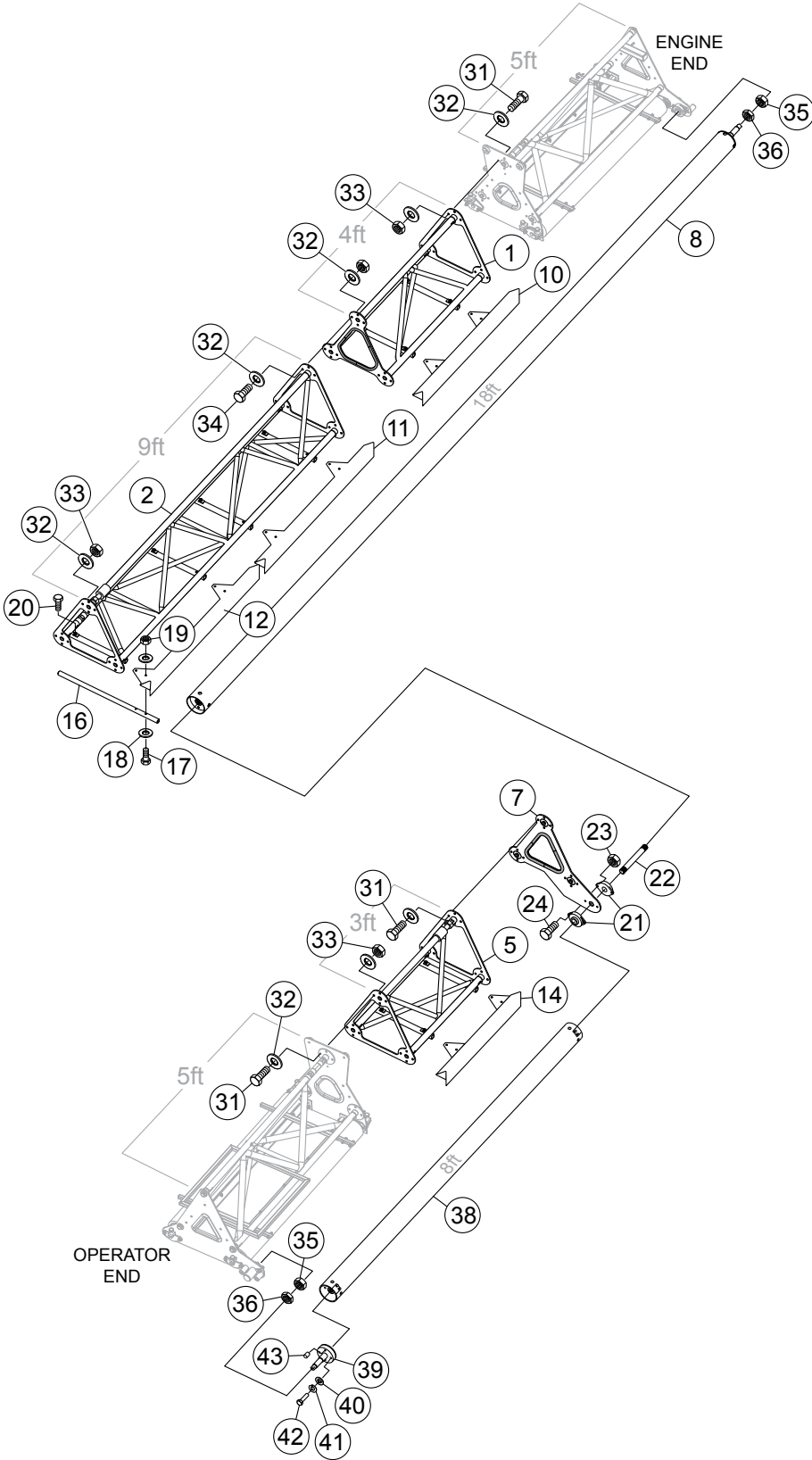
**WRS2200LP ASSY.**



## WRS2200LP ASSY.

<u>NO.</u>	<u>PART NO.</u>	<u>PART NAME</u>	<u>QTY.</u>	<u>REMARKS</u>
2	36224	9' FRAME SECTION	1	
5	36221	3' FRAME SECTION	1	
7	36227	MIDDLE BRACKET	1	
11	26221	SCRAPER, 9' LEFT	1	
12	26222	SCRAPER, 9' RIGHT	1	
14	26209	SCRAPER, 3'	1	
16	16695	ARM, SCRAPER	6	
17	0655	SCREW, 5/16 X 3/4	12	
18	0300 B	WASHER, FLAT 5/16	24	
19	5283	NUT, NYLOC 5/16	12	
20	16524	SCREW, HHC 1/2-13 X 1-1/4 GD 8	6	
21	16224	BEARING, BROWNING VF2S-120M	2	
22	16222	SHAFT, SPLINED 10T	1	
23	16677	NUT, NYLOC 7/16-14 GD 8	2	
24	16676	SCREW, HHC 7/16-14 X 2" GD 8	2	
31	16526	SCREW, HHC 1/2-13 X 1-3/4	36	
32	16630	WASHER, FLAT 1/2"	72	
33	16629	NUT, NYLOC 1/2-13	36	
35	16458	NUT, HEX 1-5/8 X 12	2	
36	16459	NUT, HEX JAM 1-5/8 - 12 PLTD YLR ZNC	2	
37	36527	TUBE, STRIKE 14' - .25 WALL	1	
38	36526	TUBE, STRIKE 8' - .25 WALL	1	
39	36163	HUB, AUXILIARY .25 WALL	1	
40	16630	WASHER, FLAT 1/2 SAE HARDENED	2	
41	5054 A	WASHER, LOCK 1/2 MED	2	
42	16781	SCREW, HHC 1/2-13 X 2-1/4	2	
43	16786	SCREW, SHS 1/2-13 X 3/4	2	

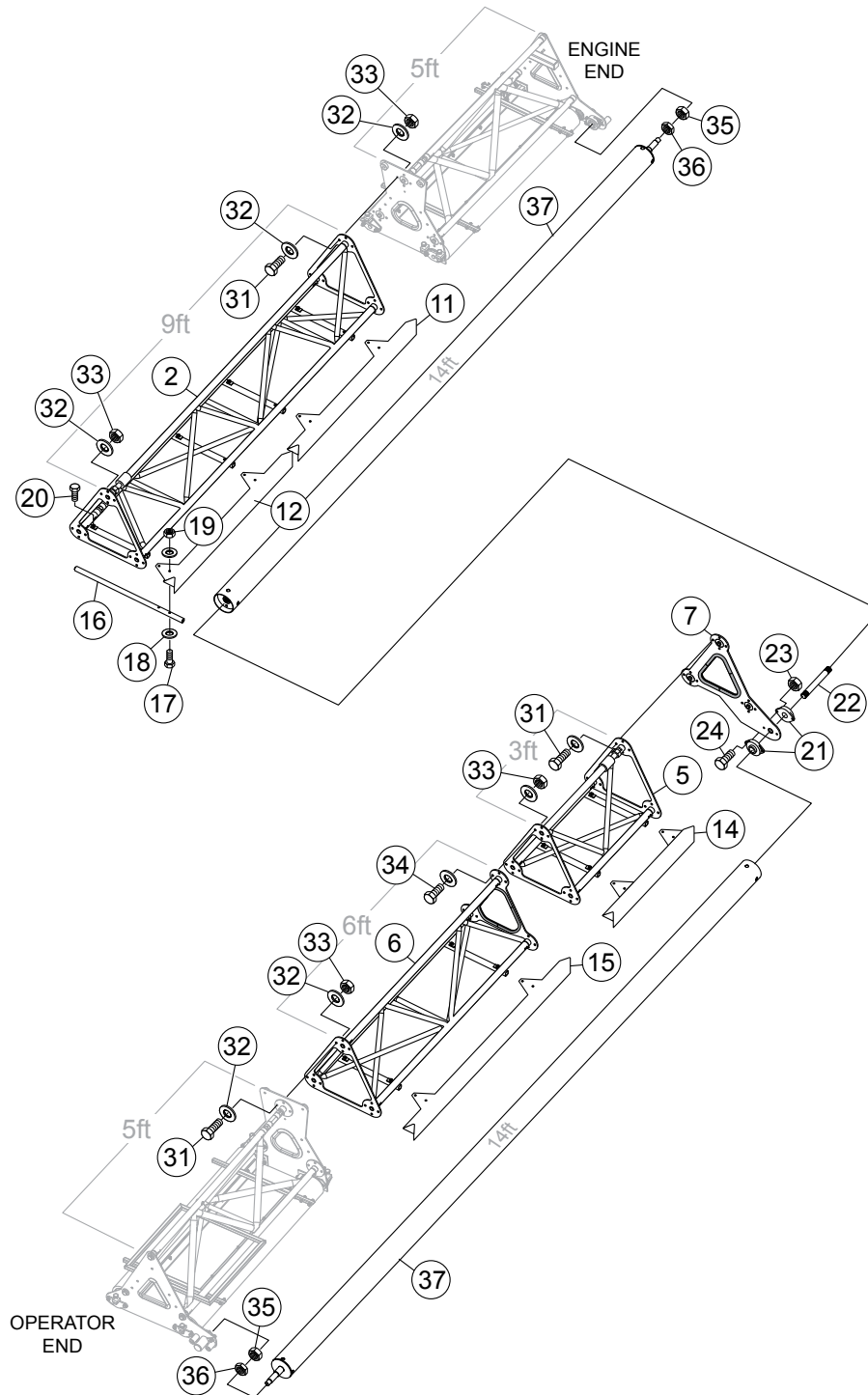
**WRS2600LP ASSY.**



## WRS2600LP ASSY.

<u>NO.</u>	<u>PART NO.</u>	<u>PART NAME</u>	<u>QTY.</u>	<u>REMARKS</u>
1	36225	4' FRAME SECTION	1	
2	36224	9' FRAME SECTION	1	
5	36221	3' FRAME SECTION	1	
7	36227	MIDDLE BRACKET	1	
8	36529	TUBE, STRIKE 18' - .25 WALL	1	
10	26212	SCRAPER, 4'	1	
11	26221	SCRAPER, 9' LEFT	1	
12	26222	SCRAPER, 9' RIGHT	1	
14	26209	SCRAPER, 3'	1	
16	16695	ARM, SCRAPER	8	
17	0655	SCREW, 5/16 X 3/4	16	
18	0300 B	WASHER, FLAT 5/16	32	
19	5283	NUT, NYLOC 5/16	16	
20	16524	SCREW, HHC 1/2-13 X 1-1/4 GD 8	8	
21	16224	BEARING, BROWNING VF2S-120M	2	
22	16222	SHAFT, SPLINED 10T	1	
23	16677	NUT, NYLOC 7/16-14 GD 8	2	
24	16676	SCREW, HHC 7/16-14 X 2" GD 8	2	
31	16526	SCREW, HHC 1/2-13 X 1-3/4	36	
32	16630	WASHER, FLAT 1/2"	96	
33	16629	NUT, NYLOC 1/2-13	48	
34	16525	BOLT, 1/2 X 1-1/2"	12	
35	16458	NUT, HEX 1-5/8 X 12	2	
36	16459	NUT, HEX JAM 1-5/8 - 12 PLTD YLR ZNC	2	
38	36526	TUBE, STRIKE 8' - .25 WALL	1	
39	36163	HUB, AUXILIARY .25 WALL	1	
40	16630	WASHER, FLAT 1/2 SAE HARDENED	2	
41	5054 A	WASHER, LOCK 1/2 MED	2	
42	16781	SCREW, HHC 1/2-13 X 2-1/4	2	
43	16786	SCREW, SHS 1/2-13 X 3/4	2	

# WRS2800LP ASSY.

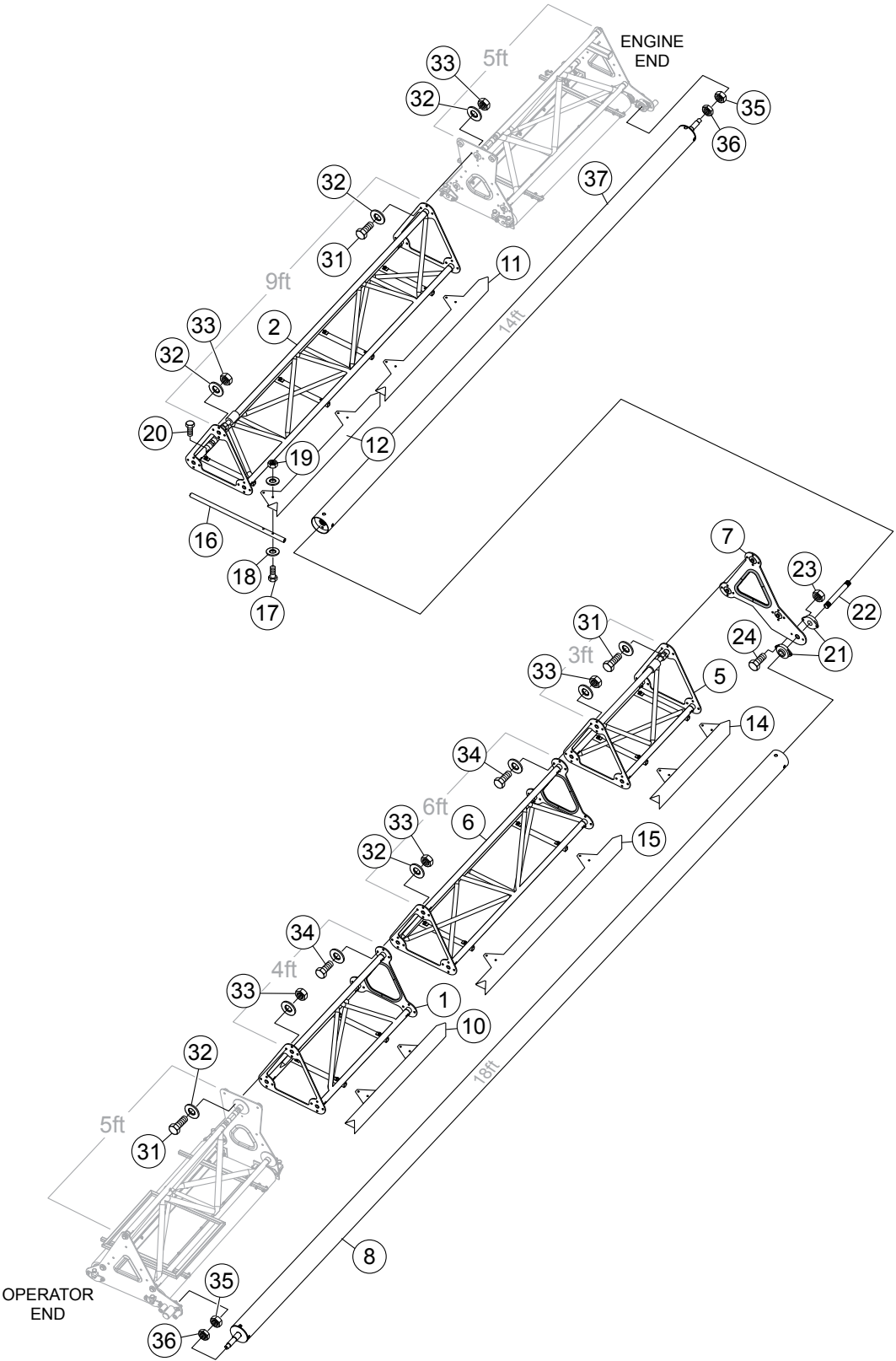




## WRS2800LP ASSY.

<u>NO.</u>	<u>PART NO.</u>	<u>PART NAME</u>	<u>QTY.</u>	<u>REMARKS</u>
2	36224	9' FRAME SECTION	1	
5	36221	3' FRAME SECTION	1	
6	36226	6' FRAME SECTION	1	
7	36227	MIDDLE BRACKET	1	
11	26221	SCRAPER, 9' LEFT	1	
12	26222	SCRAPER, 9' RIGHT	1	
14	26209	SCRAPER, 3'	1	
15	26225	SCRAPER, 6'	1	
16	16695	ARM, SCRAPER	8	
17	0655	SCREW, 5/16 X 3/4	16	
18	0300 B	WASHER, FLAT 5/16	32	
19	5283	NUT, NYLOC 5/16	16	
20	16524	SCREW, HHC 1/2-13 X 1-1/4 GD 8	8	
21	16224	BEARING, BROWNING VF2S-120M	2	
22	16222	SHAFT, SPLINED 10T	1	
23	16677	NUT, NYLOC 7/16-14 GD 8	2	
24	16676	SCREW, HHC 7/16-14 X 2" GD 8	2	
31	16526	SCREW, HHC 1/2-13 X 1-3/4	36	
32	16630	WASHER, FLAT 1/2"	96	
33	16629	NUT, NYLOC 1/2-13	48	
34	16525	BOLT, 1/2 X 1-1/2"	12	
35	16458	NUT, HEX 1-5/8 X 12	2	
36	16459	NUT, HEX JAM 1-5/8 - 12 PLTD YLR ZNC	2	
37	36527	TUBE, STRIKE 14' - .25 WALL	2	

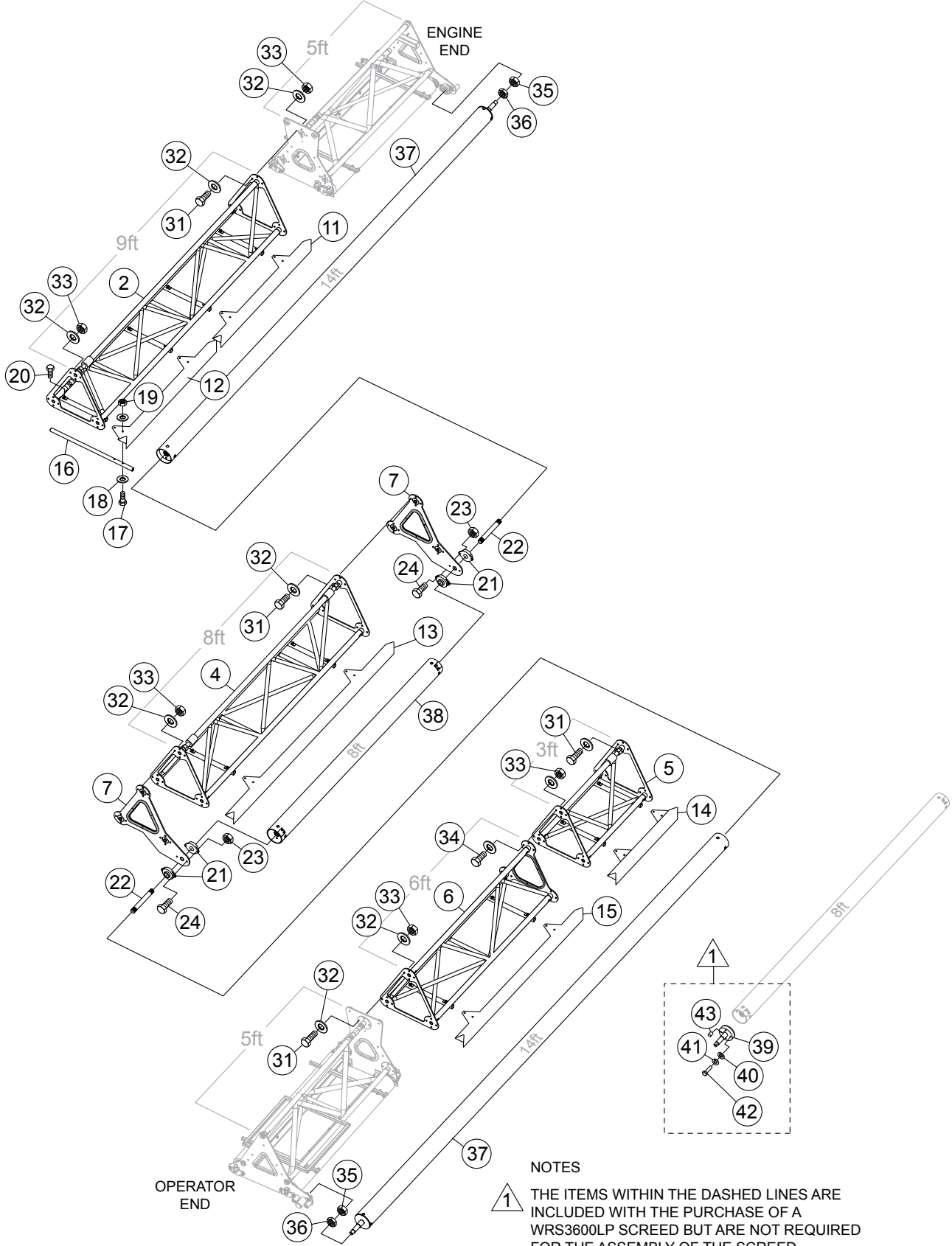
# WRS3200LP ASSY.



## WRS3200LP ASSY.

<u>NO.</u>	<u>PART NO.</u>	<u>PART NAME</u>	<u>QTY.</u>	<u>REMARKS</u>
1	36225	4' FRAME SECTION	1	
2	36224	9' FRAME SECTION	1	
5	36221	3' FRAME SECTION	1	
6	36226	6' FRAME SECTION	1	
7	36227	MIDDLE BRACKET	1	
8	36529	TUBE, STRIKE 18' - .25 WALL	1	
10	26212	SCRAPER, 4'	1	
11	26221	SCRAPER, 9' LEFT	1	
12	26222	SCRAPER, 9' RIGHT	1	
14	26209	SCRAPER, 3'	1	
15	26225	SCRAPER, 6'	1	
16	16695	ARM, SCRAPER	10	
17	0655	SCREW, 5/16 X 3/4	20	
18	0300 B	WASHER, FLAT 5/16	40	
19	5283	NUT, NYLOC 5/16	20	
20	16524	SCREW, HHC 1/2-13 X 1-1/4 GD 8	10	
21	16224	BEARING, BROWNING VF2S-120M	2	
22	16222	SHAFT, SPLINED 10T	1	
23	16677	NUT, NYLOC 7/16-14 GD 8	2	
24	16676	SCREW, HHC 7/16-14 X 2" GD 8	2	
31	16526	SCREW, HHC 1/2-13 X 1-3/4	36	
32	16630	WASHER, FLAT 1/2"	120	
33	16629	NUT, NYLOC 1/2-13	60	
34	16525	BOLT, 1/2 X 1-1/2"	24	
35	16458	NUT, HEX 1-5/8 X 12	2	
36	16459	NUT, HEX JAM 1-5/8 - 12 PLTD YLR ZNC	2	
37	36527	TUBE, STRIKE 14' - .25 WALL	1	
38	36526	TUBE, STRIKE 8' - .25 WALL	1	

# WRS3600LP ASSY.



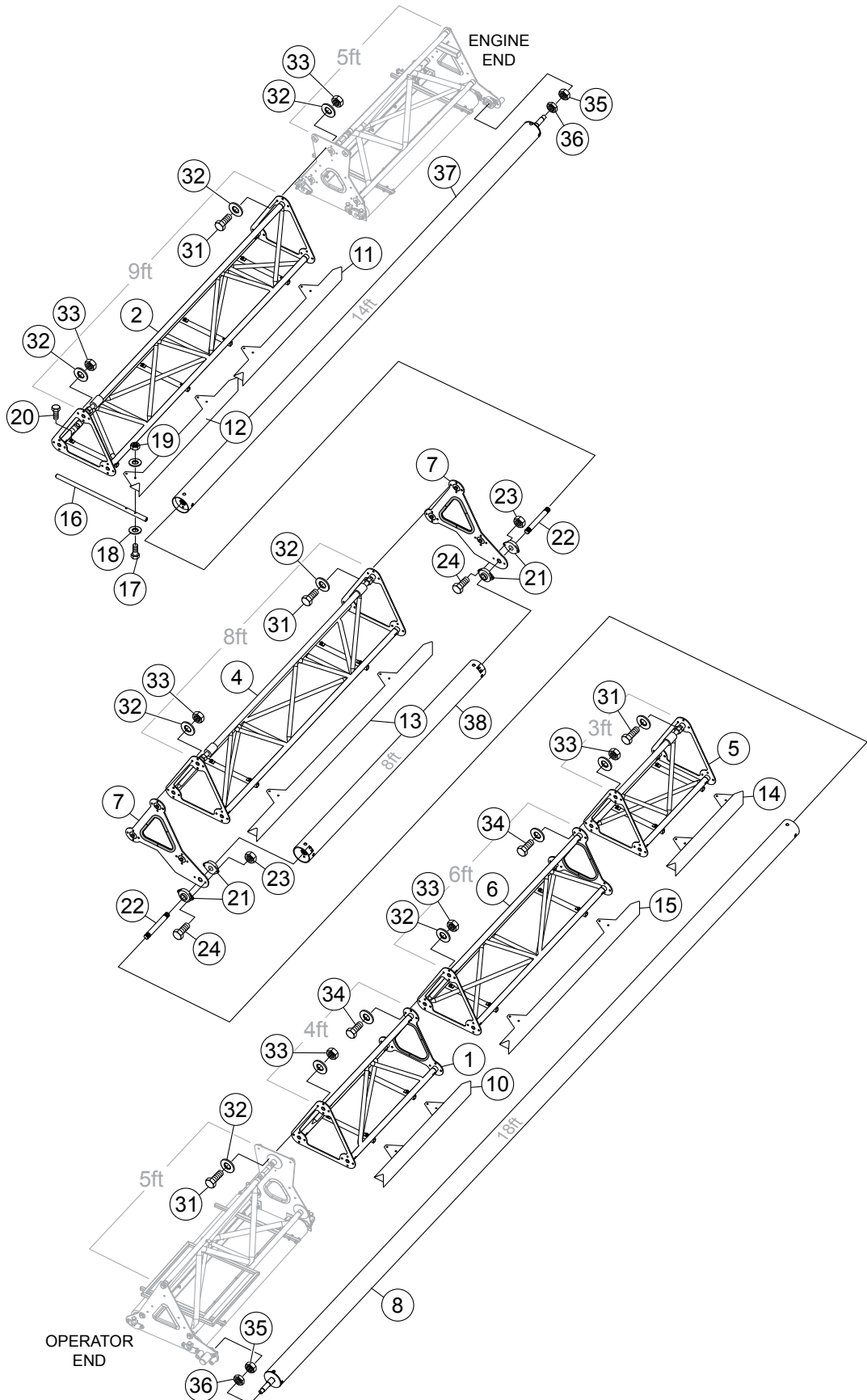
NOTES

1 THE ITEMS WITHIN THE DASHED LINES ARE INCLUDED WITH THE PURCHASE OF A WRS3600LP SCREED BUT ARE NOT REQUIRED FOR THE ASSEMBLY OF THE SCREED.

## WRS3600LP ASSY.

<u>NO.</u>	<u>PART NO.</u>	<u>PART NAME</u>	<u>QTY.</u>	<u>REMARKS</u>
2	36224	9' FRAME SECTION	1	
4	36222	8' FRAME SECTION, OPERATOR END	1	
5	36221	3' FRAME SECTION	1	
6	36226	6' FRAME SECTION	1	
7	36227	MIDDLE BRACKET	2	
11	26221	SCRAPER, 9' LEFT	1	
12	26222	SCRAPER, 9' RIGHT	1	
13	26217	SCRAPER, 8'	1	
14	26209	SCRAPER, 3'	1	
15	26225	SCRAPER, 6'	1	
16	16695	ARM, SCRAPER	10	
17	0655	SCREW, 5/16 X 3/4	20	
18	0300 B	WASHER, FLAT 5/16	40	
19	5283	NUT, NYLOC 5/16	20	
20	16524	SCREW, HHC 1/2-13 X 1-1/4 GD 8	10	
21	16224	BEARING, BROWNING VF2S-120M	4	
22	16222	SHAFT, SPLINED 10T	2	
23	16677	NUT, NYLOC 7/16-14 GD 8	4	
24	16676	SCREW, HHC 7/16-14 X 2" GD 8	4	
31	16526	SCREW, HHC 1/2-13 X 1-3/4	48	
32	16630	WASHER, FLAT 1/2"	120	
33	16629	NUT, NYLOC 1/2-13	60	
34	16525	BOLT, 1/2 X 1-1/2"	12	
35	16458	NUT, HEX 1-5/8 X 12	2	
36	16459	NUT, HEX JAM 1-5/8 - 12 PLTD YLR ZNC	2	
37	36527	TUBE, STRIKE 14' - .25 WALL	2	
38	36526	TUBE, STRIKE 8' - .25 WALL	1	
39	36163	HUB, AUXILIARY .25 WALL	1	
40	16630	WASHER, FLAT 1/2 SAE HARDENED	2	
41	5054 A	WASHER, LOCK 1/2 MED	2	
42	16781	SCREW, HHC 1/2-13 X 2-1/4	2	
43	16786	SCREW, SHS 1/2-13 X 3/4	2	

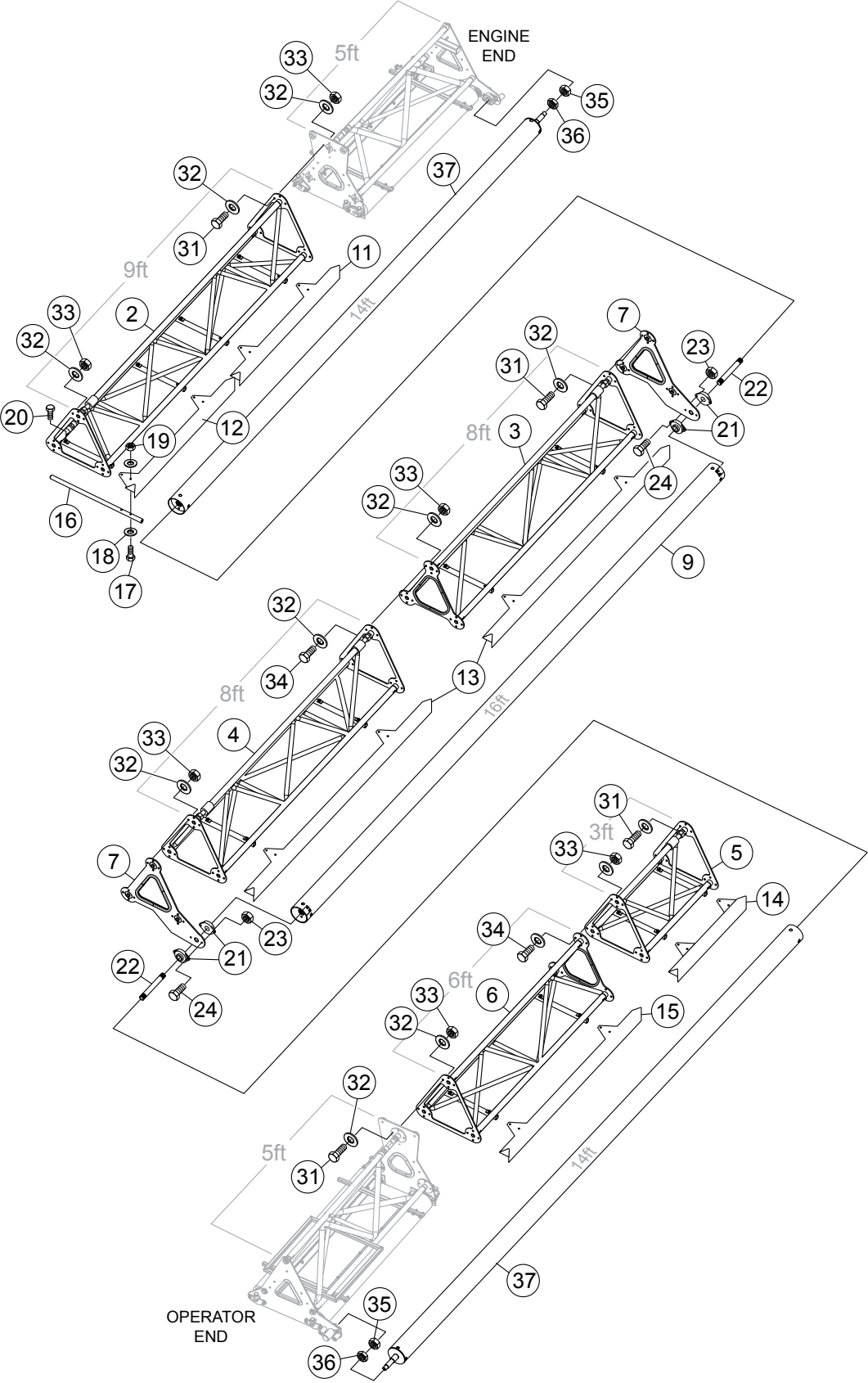
**WRS4000LP ASSY.**



## WRS4000LP ASSY.

<u>NO.</u>	<u>PART NO.</u>	<u>PART NAME</u>	<u>QTY.</u>	<u>REMARKS</u>
1	36225	4' FRAME SECTION	1	
2	36224	9' FRAME SECTION	1	
4	36222	8' FRAME SECTION, OPERATOR END	1	
5	36221	3' FRAME SECTION	1	
6	36226	6' FRAME SECTION	1	
7	36227	MIDDLE BRACKET	2	
8	36529	TUBE, STRIKE 18' - .25 WALL	1	
10	26212	SCRAPER, 4'	1	
11	26221	SCRAPER, 9' LEFT	1	
12	26222	SCRAPER, 9' RIGHT	1	
13	26217	SCRAPER, 8'	1	
14	26209	SCRAPER, 3'	1	
15	26225	SCRAPER, 6'	1	
16	16695	ARM, SCRAPER	12	
17	0655	SCREW, 5/16 X 3/4	24	
18	0300 B	WASHER, FLAT 5/16	48	
19	5283	NUT, NYLOC 5/16	24	
20	16524	SCREW, HHC 1/2-13 X 1-1/4 GD 8	12	
21	16224	BEARING, BROWNING VF2S-120M	4	
22	16222	SHAFT, SPLINED 10T	2	
23	16677	NUT, NYLOC 7/16-14 GD 8	4	
24	16676	SCREW, HHC 7/16-14 X 2" GD 8	4	
31	16526	SCREW, HHC 1/2-13 X 1-3/4	48	
32	16630	WASHER, FLAT 1/2"	144	
33	16629	NUT, NYLOC 1/2-13	72	
34	16525	BOLT, 1/2 X 1-1/2"	24	
35	16458	NUT, HEX 1-5/8 X 12	2	
36	16459	NUT, HEX JAM 1-5/8 - 12 PLTD YLR ZNC	2	
37	36527	TUBE, STRIKE 14' - .25 WALL	1	
38	36526	TUBE, STRIKE 8' - .25 WALL	1	

# WRS4400LP ASSY.

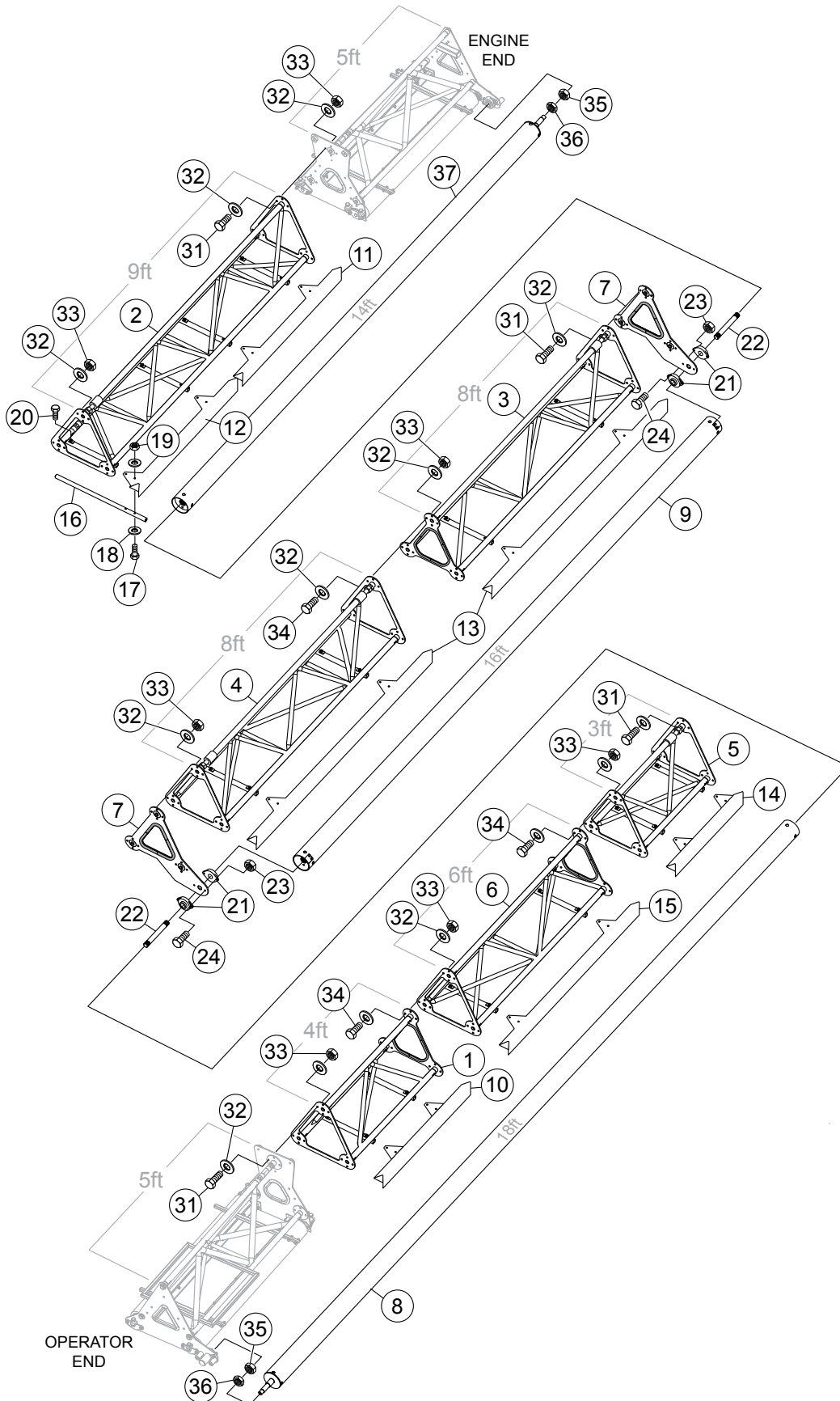




## WRS4400LP ASSY.

<u>NO.</u>	<u>PART NO.</u>	<u>PART NAME</u>	<u>QTY.</u>	<u>REMARKS</u>
2	36224	9' FRAME SECTION	1	
3	36223	8' FRAME SECTION, ENGINE END	1	
4	36222	8' FRAME SECTION, OPERATOR END	1	
5	36221	3' FRAME SECTION	1	
6	36226	6' FRAME SECTION	1	
7	36227	MIDDLE BRACKET	2	
9	36528	TUBE, STRIKE 16' - .25 WALL	1	
11	26221	SCRAPER, 9' LEFT	1	
12	26222	SCRAPER, 9' RIGHT	1	
13	26217	SCRAPER, 8'	2	
14	26209	SCRAPER, 3'	1	
15	26225	SCRAPER, 6'	1	
16	16695	ARM, SCRAPER	12	
17	0655	SCREW, 5/16 X 3/4	24	
18	0300 B	WASHER, FLAT 5/16	48	
19	5283	NUT, NYLOC 5/16	24	
20	16524	SCREW, HHC 1/2-13 X 1-1/4 GD 8	12	
21	16224	BEARING, BROWNING VF2S-120M	4	
22	16222	SHAFT, SPLINED 10T	2	
23	16677	NUT, NYLOC 7/16-14 GD 8	4	
24	16676	SCREW, HHC 7/16-14 X 2" GD 8	4	
31	16526	SCREW, HHC 1/2-13 X 1-3/4	48	
32	16630	WASHER, FLAT 1/2"	144	
33	16629	NUT, NYLOC 1/2-13	72	
34	16525	BOLT, 1/2 X 1-1/2"	24	
35	16458	NUT, HEX 1-5/8 X 12	2	
36	16459	NUT, HEX JAM 1-5/8 - 12 PLTD YLR ZNC	2	
37	36527	TUBE, STRIKE 14' - .25 WALL	2	

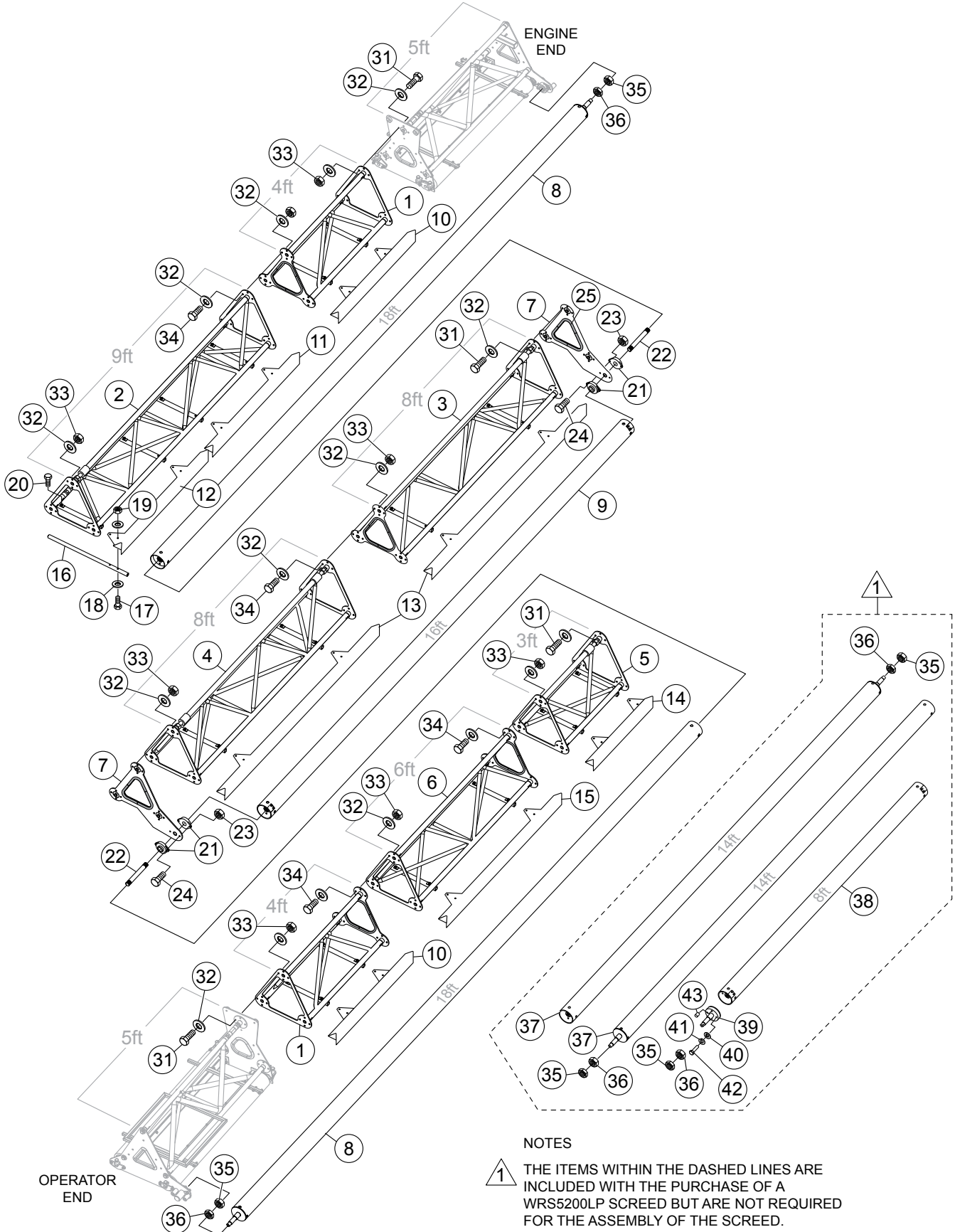
# WRS4800LP ASSY.



## WRS4800LP ASSY.

<u>NO.</u>	<u>PART NO.</u>	<u>PART NAME</u>	<u>QTY.</u>	<u>REMARKS</u>
1	36225	4' FRAME SECTION	1	
2	36224	9' FRAME SECTION	1	
3	36223	8' FRAME SECTION, ENGINE END	1	
4	36222	8' FRAME SECTION, OPERATOR END	1	
5	36221	3' FRAME SECTION	1	
6	36226	6' FRAME SECTION	1	
7	36227	MIDDLE BRACKET	2	
8	36529	TUBE, STRIKE 18' - .25 WALL	1	
9	36528	TUBE, STRIKE 16' - .25 WALL	1	
10	26212	SCRAPER, 4'	1	
11	26221	SCRAPER, 9' LEFT	1	
12	26222	SCRAPER, 9' RIGHT	1	
13	26217	SCRAPER, 8'	2	
14	26209	SCRAPER, 3'	1	
15	26225	SCRAPER, 6'	1	
16	16695	ARM, SCRAPER	14	
17	0655	SCREW, 5/16 X 3/4	28	
18	0300 B	WASHER, FLAT 5/16	56	
19	5283	NUT, NYLOC 5/16	28	
20	16524	SCREW, HHC 1/2-13 X 1-1/4 GD 8	14	
21	16224	BEARING, BROWNING VF2S-120M	4	
22	16222	SHAFT, SPLINED 10T	2	
23	16677	NUT, NYLOC 7/16-14 GD 8	4	
24	16676	SCREW, HHC 7/16-14 X 2" GD 8	4	
31	16526	SCREW, HHC 1/2-13 X 1-3/4	48	
32	16630	WASHER, FLAT 1/2"	168	
33	16629	NUT, NYLOC 1/2-13	84	
34	16525	BOLT, 1/2 X 1-1/2"	36	
35	16458	NUT, HEX 1-5/8 X 12	2	
36	16459	NUT, HEX JAM 1-5/8 - 12 PLTD YLR ZNC	2	
37	36527	TUBE, STRIKE 14' - .25 WALL	1	

# WRS5200LP ASSY.



**NOTES**

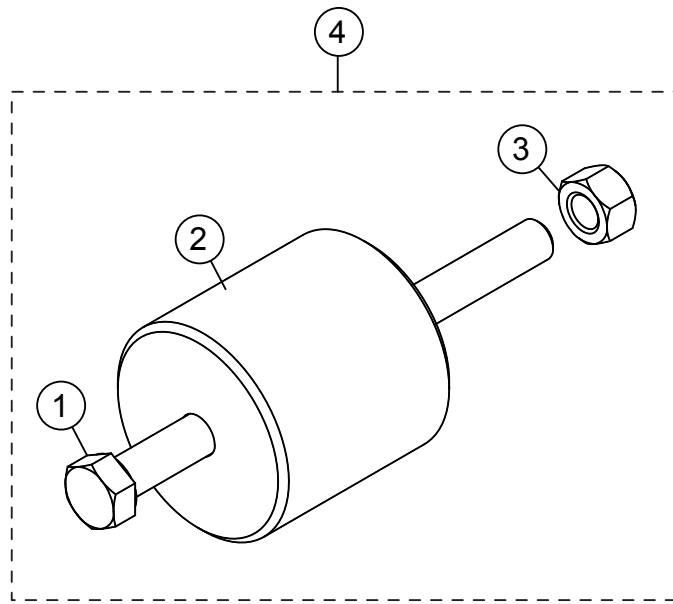
- 1 THE ITEMS WITHIN THE DASHED LINES ARE INCLUDED WITH THE PURCHASE OF A WRS5200LP SCREED BUT ARE NOT REQUIRED FOR THE ASSEMBLY OF THE SCREED.

## WRS5200LP ASSY.

<u>NO.</u>	<u>PART NO.</u>	<u>PART NAME</u>	<u>QTY.</u>	<u>REMARKS</u>
1	36225	4' FRAME SECTION	2	
2	36224	9' FRAME SECTION	1	
3	36223	8' FRAME SECTION, ENGINE END	1	
4	36222	8' FRAME SECTION, OPERATOR END	1	
5	36221	3' FRAME SECTION	1	
6	36226	6' FRAME SECTION	1	
7	36227	MIDDLE BRACKET	2	
8	36529	TUBE, STRIKE 18' - .25 WALL	2	
9	36528	TUBE, STRIKE 16' - .25 WALL	1	
10	26212	SCRAPER, 4'	2	
11	26221	SCRAPER, 9' LEFT	1	
12	26222	SCRAPER, 9' RIGHT	1	
13	26217	SCRAPER, 8'	2	
14	26209	SCRAPER, 3'	1	
15	26225	SCRAPER, 6'	1	
16	16695	ARM, SCRAPER	16	
17	0655	SCREW, 5/16 X 3/4	32	
18	0300 B	WASHER, FLAT 5/16	64	
19	5283	NUT, NYLOC 5/16	32	
20	16524	SCREW, HHC 1/2-13 X 1-1/4 GD 8	16	
21	16224	BEARING, BROWNING VF2S-120M	4	
22	16222	SHAFT, SPLINED 10T	2	
23	16677	NUT, NYLOC 7/16-14 GD 8	4	
24	16676	SCREW, HHC 7/16-14 X 2" GD 8	4	
31	16526	SCREW, HHC 1/2-13 X 1-3/4	48	
32	16630	WASHER, FLAT 1/2"	192	
33	16629	NUT, NYLOC 1/2-13	96	
34	16525	BOLT, 1/2 X 1-1/2"	48	
35	16458	NUT, HEX 1-5/8 X 12	5	
36	16459	NUT, HEX JAM 1-5/8 - 12 PLTD YLR ZNC	5	
37	36527	TUBE, STRIKE 14' - .25 WALL	2	
38	36526	TUBE, STRIKE 8' - .25 WALL	1	
39	36163	HUB, AUXILIARY .25 WALL	2	
40	16630	WASHER, FLAT 1/2 SAE HARDENED	4	
41	5054 A	WASHER, LOCK 1/2 MED	4	
42	16781	SCREW, HHC 1/2-13 X 2-1/4	4	
43	16786	SCREW, SHS 1/2-13 X 3/4	4	

# SHAFT PULLER ASSY.

---



## SHAFT PULLER ASSY.

---

<u>NO.</u>	<u>PART NO.</u>	<u>PART NAME</u>	<u>QTY.</u>	<u>REMARKS</u>
1@	20438	SCREW, HHC 3/8-16 X 5	1	
2@	36845	WEIGHT, SHAFT PULLER	1	
3@	1456	NUT, HEX FINISH 3/8-16	1	
4	36846	SHAFT PULLER ASSY. ....	1.....	INCLUDES ITEMS W/@

# TERMS AND CONDITIONS OF SALE — PARTS

## PAYMENT TERMS

Terms of payment for parts are net 30 days.

## FREIGHT POLICY

All parts orders will be shipped collect or prepaid with the charges added to the invoice. All shipments are F.O.B. point of origin. Multiquip's responsibility ceases when a signed manifest has been obtained from the carrier, and any claim for shortage or damage must be settled between the consignee and the carrier.

## MINIMUM ORDER

The minimum charge for orders from Multiquip is \$15.00 net. Customers will be asked for instructions regarding handling of orders not meeting this requirement.

## RETURNED GOODS POLICY

Return shipments will be accepted and credit will be allowed, subject to the following provisions:

1. A Returned Material Authorization must be approved by Multiquip prior to shipment.
2. To obtain a Return Material Authorization, a list must be provided to Multiquip Parts Sales that defines item numbers, quantities, and descriptions of the items to be returned.
  - a. The parts numbers and descriptions must match the current parts price list.
  - b. The list must be typed or computer generated.
  - c. The list must state the reason(s) for the return.
  - d. The list must reference the sales order(s) or invoice(s) under which the items were originally purchased.
  - e. The list must include the name and phone number of the person requesting the RMA.
3. A copy of the Return Material Authorization must accompany the return shipment.
4. Freight is at the sender's expense. All parts must be returned freight prepaid to Multiquip's designated receiving point.

5. Parts must be in new and resalable condition, in the original Multiquip package (if any), and with Multiquip part numbers clearly marked.
6. The following items are not returnable:
  - a. Obsolete parts. (If an item is in the price book and shows as being replaced by another item, it is obsolete.)
  - b. Any parts with a limited shelf life (such as gaskets, seals, "O" rings, and other rubber parts) that were purchased more than six months prior to the return date.
  - c. Any line item with an extended dealer net price of less than \$5.00.
  - d. Special order items.
  - e. Electrical components.
  - f. Paint, chemicals, and lubricants.
  - g. Decals and paper products.
  - h. Items purchased in kits.
7. The sender will be notified of any material received that is not acceptable.
8. Such material will be held for five working days from notification, pending instructions. If a reply is not received within five days, the material will be returned to the sender at his expense.
9. Credit on returned parts will be issued at dealer net price at time of the original purchase, less a 15% restocking charge.
10. In cases where an item is accepted, for which the original purchase document can not be determined, the price will be based on the list price that was effective twelve months prior to the RMA date.
11. Credit issued will be applied to future purchases only.

## PRICING AND REBATES

Prices are subject to change without prior notice. Price changes are effective on a specific date and all orders received on or after that date will be billed at the revised price. Rebates for price declines and added charges for price increases will not be made for stock on hand at the time of any price change.

Multiquip reserves the right to quote and sell direct to Government agencies, and to Original Equipment Manufacturer accounts who use our products as integral parts of their own products.

## SPECIAL EXPEDITING SERVICE

A \$35.00 surcharge will be added to the invoice for special handling including bus shipments, insured parcel post or in cases where Multiquip must personally deliver the parts to the carrier.

## LIMITATIONS OF SELLER'S LIABILITY

Multiquip shall not be liable hereunder for damages in excess of the purchase price of the item with respect to which damages are claimed, and in no event shall Multiquip be liable for loss of profit or good will or for any other special, consequential or incidental damages.

## LIMITATION OF WARRANTIES

No warranties, express or implied, are made in connection with the sale of parts or trade accessories nor as to any engine not manufactured by Multiquip. Such warranties made in connection with the sale of new, complete units are made exclusively by a statement of warranty packaged with such units, and Multiquip neither assumes nor authorizes any person to assume for it any other obligation or liability whatever in connection with the sale of its products. Apart from such written statement of warranty, there are no warranties, express, implied or statutory, which extend beyond the description of the products on the face hereof.

Effective: February 22, 2006



**NOTES**


Download from [Www.Somanuals.com](http://www.somanuals.com). All Manuals Search And Download.

# PARTS MANUAL

## HERE'S HOW TO GET HELP

PLEASE HAVE THE MODEL AND SERIAL  
NUMBER ON-HAND WHEN CALLING

### UNITED STATES

#### ***Multiquip Corporate Office***

18910 Wilmington Ave.  
Carson, CA 90746  
Contact: mq@multiquip.com

Tel: (800) 421-1244  
Fax (800) 537-3927

#### ***MQ Parts Department***

800-427-1244  
310-537-3700

Fax: 800-672-7877  
Fax: 310-637-3284

#### ***Service Department***

800-421-1244  
310-537-3700

Fax: 310-537-4259

#### ***Warranty Department***

800-421-1244  
310-537-3700

Fax: 310-537-1173

#### ***Technical Assistance***

800-478-1244

Fax: 310-943-2238

---

### MEXICO

#### ***MQ Cipsa***

Carr. Fed. Mexico-Puebla KM 126.5  
Momoxpan, Cholula, Puebla 72760 Mexico  
Contact: pmastretta@cipsa.com.mx

Tel: (52) 222-225-9900  
Fax: (52) 222-285-0420

### UNITED KINGDOM

#### ***Multiquip (UK) Limited Head Office***

Unit 2, Northpoint Industrial Estate,  
Globe Lane,  
Dukinfield, Cheshire SK16 4UJ  
Contact: sales@multiquip.co.uk

Tel: 0161 339 2223  
Fax: 0161 339 3226

### CANADA

#### ***Multiquip***

4110 Industriel Boul.  
Laval, Quebec, Canada H7L 6V3  
Contact: jmartin@multiquip.com

Tel: (450) 625-2244  
Tel: (877) 963-4411  
Fax: (450) 625-8664

© COPYRIGHT 2010, MULTIQUIP INC.

Multiquip Inc and the MQ logo are registered trademarks of Multiquip Inc. and may not be used, reproduced, or altered without written permission. All other trademarks are the property of their respective owners and used with permission.

This manual MUST accompany the equipment at all times. This manual is considered a permanent part of the equipment and should remain with the unit if resold.

The information and specifications included in this publication were in effect at the time of approval for printing. Illustrations, descriptions, references and technical data contained in this manual are for guidance only and may not be considered as binding. Multiquip Inc. reserves the right to discontinue or change specifications, design or the information published in this publication at any time without notice and without incurring any obligations.

Your Local Dealer is:



## Free Manuals Download Website

<http://myh66.com>

<http://usermanuals.us>

<http://www.somanuals.com>

<http://www.4manuals.cc>

<http://www.manual-lib.com>

<http://www.404manual.com>

<http://www.luxmanual.com>

<http://aubethermostatmanual.com>

Golf course search by state

<http://golfingnear.com>

Email search by domain

<http://emailbydomain.com>

Auto manuals search

<http://auto.somanuals.com>

TV manuals search

<http://tv.somanuals.com>