

Digital Time Meters

Models HD35-DC and HD35-CD

HD-9015B
Revised 08-93
Catalog Section 20



- Solid-State
- Memory Retention
- Lighted Liquid Crystal Display
- Models for Battery, AC Voltage or CD Ignition Applications



Description

The HD35 Series time meters are low input power, elapsed time meters that record the operating time of vehicles or powered equipment. Timing is by highly accurate and reliable quartz based circuitry. Elapsed time is displayed by a 5-digit Liquid Crystal Display (LCD) which can read up to 9,999.9 hours. The LCD can be powered by either an external battery or DC voltage source. An AC line voltage or a capacitor discharge (CD) ignition can also be used. The elapsed time is maintained by a replaceable 3-year lithium battery when power is removed. The HD35-DC provides backlighting of its LCD display. The backlighting is powered by a separate DC power source.

Features

Timer initiation begins when external power is applied to the input terminals and stops when power is removed. The display can be reset to zero through an external switch closure; it is also self zeroing at 9,999.9 hours. A winking display decimal point indicates that the timer is active. The display remains on when power is removed. Memory is maintained by the internal battery.

Specifications

Supply Voltage

HD35-DC: 10-48 VDC or 24 VAC

HD35-CD: 120-250 VAC or CD-Ignition 75-280 VDC

Supply Current

HD35-DC: 50 μ A @ 10 VDC; 3.5 mA @ 40 VDC

HD35-CD: 53 μ A @ 75 VDC; 270 μ A @ 280 VDC

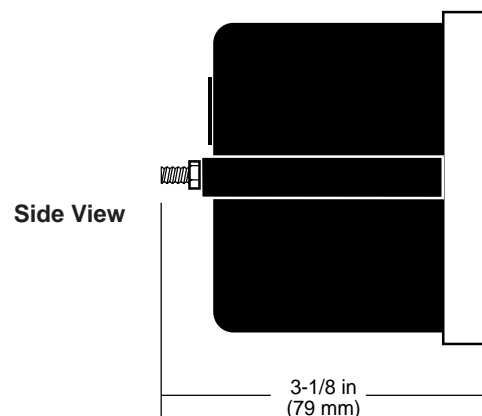
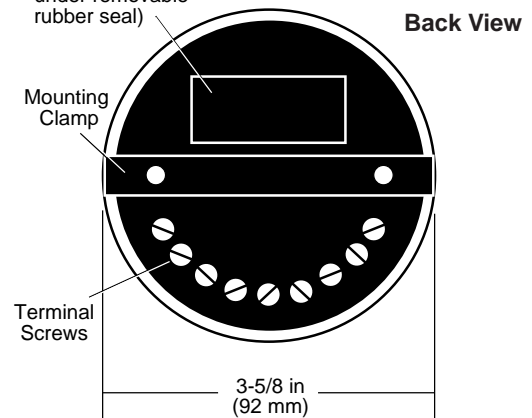
Operating Temperature: -4 to 158°F (-20 to 70°C)

Storage Temperature: -85 to 212°F (-65 to 100°C)

Display Light Supply Voltage: 10-48 VDC or 24 VAC

Dimensions

Duracell PX28L
6 VDC Lithium
Battery (located
under removable
rubber seal)



Mounting Hole: 3-7/16 in. (87 mm)

Approximate Weight: 14 oz. (0.4 kg)

Approximate Dimensions: 5-1/2 x 5-1/2 x 5-1/2 in. (140 x 140 x 140 mm)

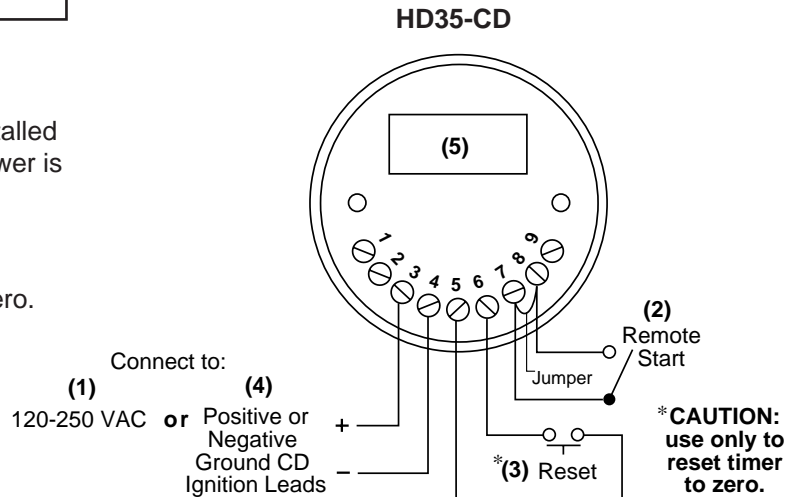
Typical Wiring Diagrams



WARNING: The wiring diagrams below are shown for clarity only.

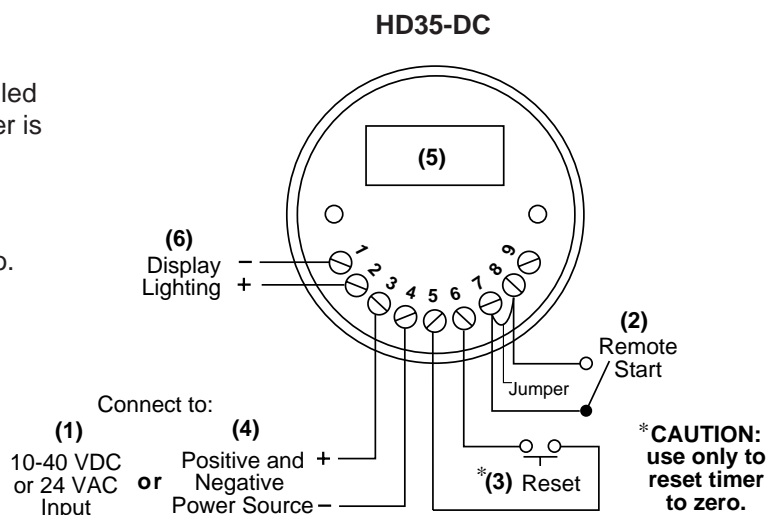
HD35-CD

1. 120-250 VAC; CD ignition power.
2. Terminals 7 and 8 are connected with a factory installed jumper which initiates a timer immediately after power is applied between terminals 3 and 4.
To initiate the timer by a remote switch remove the factory installed jumper between 7 and 8.
3. Connecting terminals 5 and 6 resets the timer to zero.
4. Connect terminal 3 to positive ignition lead.
Connect terminal 4 to negative ignition lead.
5. When replacing battery use only Duracell PX28L 6 VDC Lithium battery. **CAUTION:** Unless external power is applied on terminals 3 and 4, timer will zero when battery is removed.



HD35-DC

1. 10-40 VDC/24 VAC input.
2. Terminals 7 and 8 are connected with a factory installed jumper which initiates a timer immediately after power is applied between terminals 3 and 4.
To initiate the timer by a remote switch remove the factory installed jumper between 7 and 8.
3. Connecting terminals 5 and 6 resets the timer to zero.
4. Connect terminal 3 to power positive.
Connect terminal 4 to power negative.
5. When replacing battery use only Duracell PX28L 6 VDC Lithium Battery. **CAUTION:** Unless external power is supplied on terminals 3 and 4, timer will zero when battery is removed.
6. Display lighting requires 10-40 VDC/24 VAC.



How to Order

Specify:

HD35-CD for 120-250 VAC/CD-Ignition

HD35-DC for 10-40 VDC/24 VAC

Warranty

A two year limited warranty on materials and workmanship is given with this Murphy product. Details are available on request and are packed with each unit.

In order to consistently bring you the highest quality, full featured products, we reserve the right to change our specifications and designs at any time.



■ **Frank W. Murphy Manufacturer**
P.O. Box 470248; Tulsa, Oklahoma 74147; USA
tel. (918) 627-3550 fax (918) 664-6146
e-mail fwmurphy@ionet.net

■ **Frank W. Murphy Southern Division**
P.O. Box 1819; Rosenberg, Texas 77471; USA
tel. (281) 342-0297 fax (281) 341-6006
e-mail murphysd@intertex.net

■ **Frank W. Murphy, Ltd.**
Church Rd.; Laverstock, Salisbury SP1 1QZ; U.K.
tel. +44 1722 410055 fax +44 1722 410088 tlx 477088
e-mail sales@fwmurphy.co.uk

■ **Frank W. Murphy Pte., Ltd.**
26 Siglap Drive; Republic of Singapore 456153
tel. +65 241-3166 fax +65 241-8382
e-mail fwmsales@fwmurphy.com.sg

■ **Murphek Pty., Ltd.**
1620 Hume Highway; Campbellfield, Vic 3061; Australia
tel. +61 3 9358-5555 fax +61 3 9358-5558

■ **Murphy de México, S.A. de C.V.**
Blvd. Antonio Rocha Cordero 300, Fracción del Aguaje
San Luis Potosí, S.L.P.; México 78384
tel. +52-48-206264 fax +52-48-206336
e-mail murmexsl@infosel.net.mx

■ **Murphy Switch of California**
P.O. Box 900788; Palmdale, California 93590; USA
tel. (805) 272-4700 fax (805) 947-7570
e-mail sales@murphyswitch.com

■ **Frank W. Murphy France**
tel. +33 1 30 762626 fax +33 1 30 763989

Free Manuals Download Website

<http://myh66.com>

<http://usermanuals.us>

<http://www.somanuals.com>

<http://www.4manuals.cc>

<http://www.manual-lib.com>

<http://www.404manual.com>

<http://www.luxmanual.com>

<http://aubethermostatmanual.com>

Golf course search by state

<http://golfingnear.com>

Email search by domain

<http://emailbydomain.com>

Auto manuals search

<http://auto.somanuals.com>

TV manuals search

<http://tv.somanuals.com>